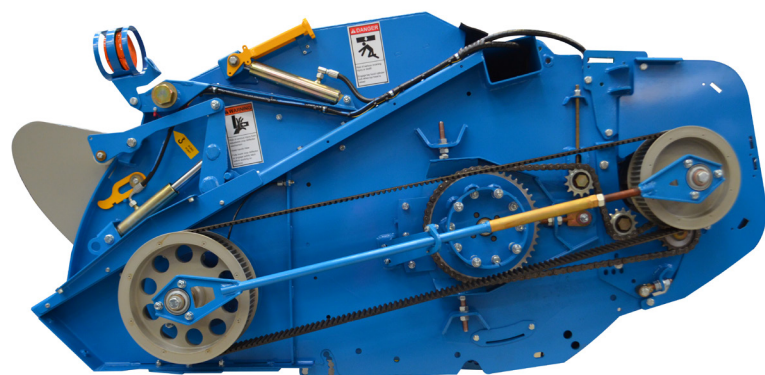


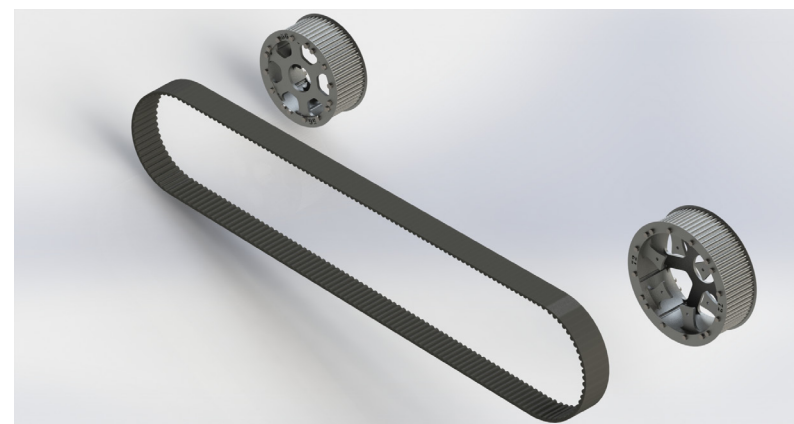
Variable Speed to HTD Conversion Kit Options

ISSUE	DATE	CHANGES
1	31.10.23	TECHNICAL PARTS BULLETIN CREATED

Convert an existing variable speed drive XCV (All Models) and CVS (2018 On, with pivoting gearbox) to a high torque drive (HTD) fixed drive.



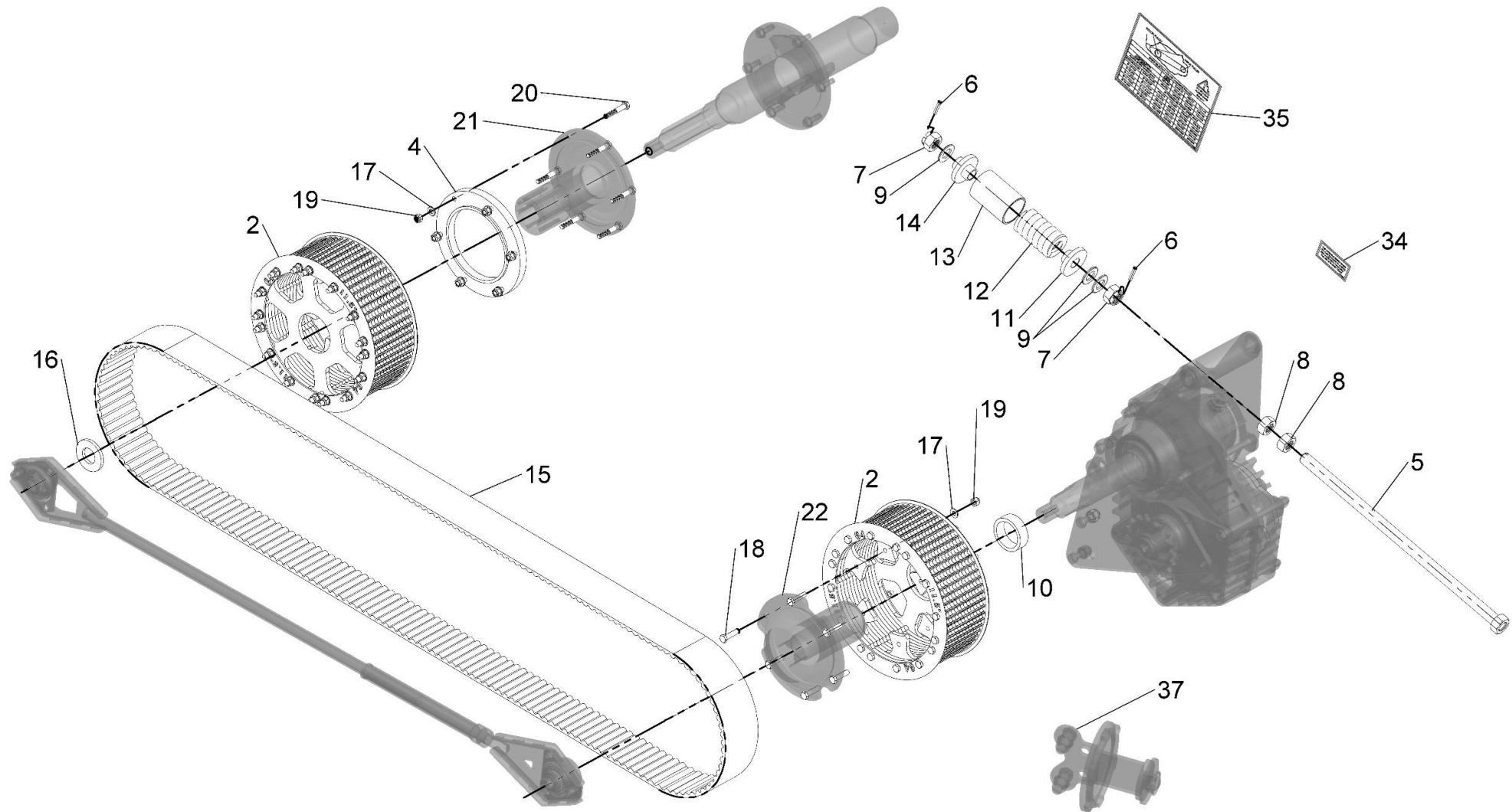
Full HTD Conversion Kit



Laminated pulley HTD conversion kit

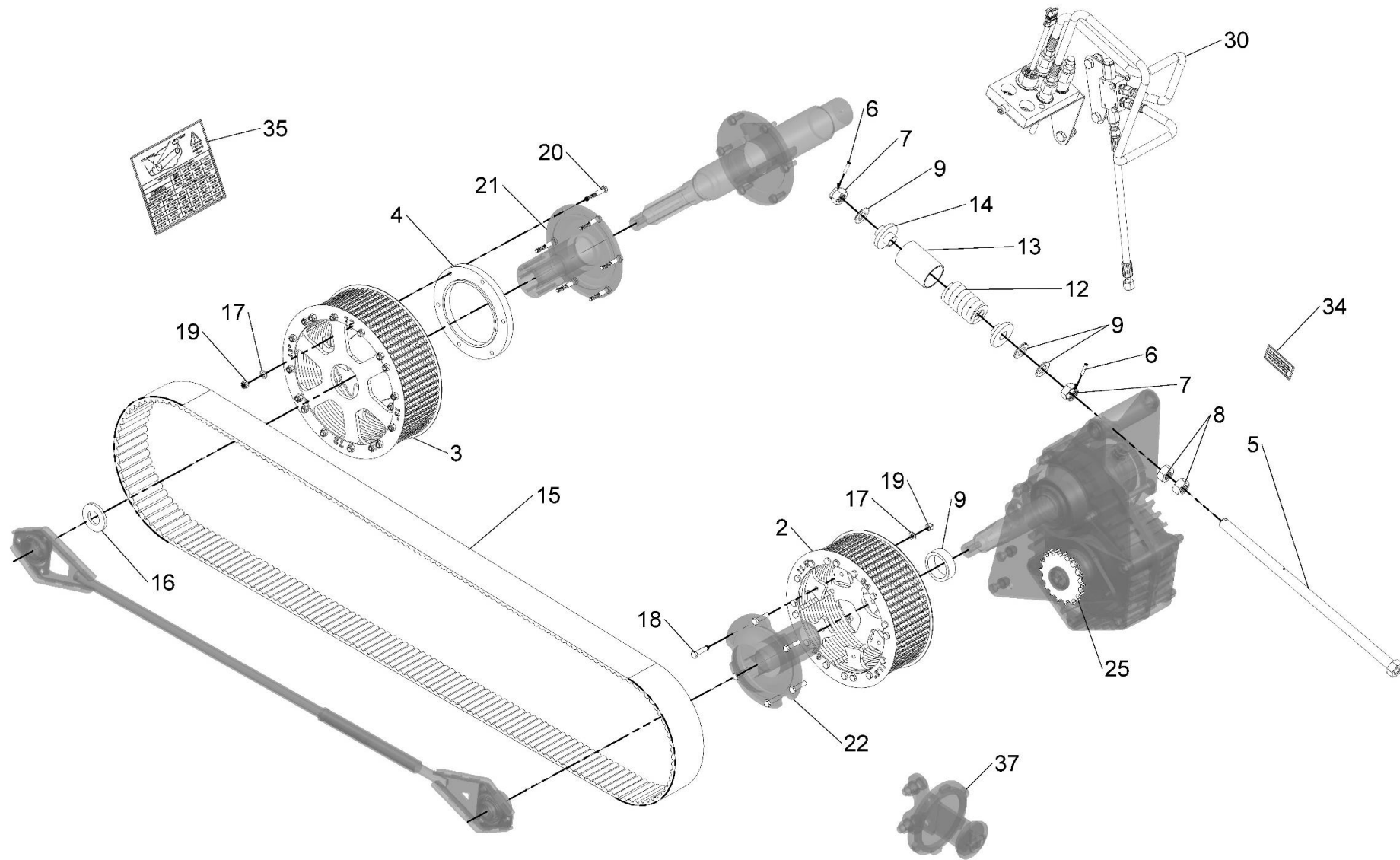
- **Reduced servicing**
 - **Fewer moving parts**
 - **Transmits more power to the rotor.**
 - **Different kits for different combines**
 - **Use variable speed feeder house to change header speed**
- Remove the variable speed pulleys and belt and replace them with one of these conversion kits. Stripping rotor speeds can be adjusted by altering your combine feeder house speed or by swapping variations of pulley sizes.

ASSY NUMBER: KIT-19088				ASSY DESCRIPTION: CASE IH HTD LAMINATE CONVERSION KIT FOR CASE IH FLAGSHIP MODELS ONLY			
ITEM	PART NO	DESCRIPTION	QTY	ITEM	PART NO	DESCRIPTION	QTY
1							
2	292864 01	64T HTD LAMINATE PULLEY ASSY	2			DO NOT RUN AUGER OVER 200rpm	
3							
4	292865 01	HTD CONVERSION ALIGNMENT RING	1			64T PULLEY FITTED TO GEARBOX	
5	198029 01	G/BOX ADJUSTER ROD	1			64T PULLEY FITTED TO ROTOR	
6	PIN-1620	ROLL PIN	2			ROTOR SPEED RANGE = 510-690rpm	
7	NUT-0580	CASTLE NUT	2				
8	NUT-0185	PLAIN NUT	2				
9	WSH-0030	PLAIN WASHER	3				
10	292586 01	SPACER	1			FOR ALTERNATIVE ROTOR SPEEDS	
11	199737 01	SPRING BOSS	1			ORDER	
12	SPGE02530	SPRING	1			56T PULLEY, PART No 293125 01	
13	199736 01	SPRING SETTING TUBE	1			OR	
14	199738 01	SPRING BOSS	1			72T PULLEY, PART No 292872 01	
15	BEL-55350	HTD BELT	1				
16	190548 36	WASHER	1				
17	WSH-0012	PLAIN WASHER	12				
18	HSS-0152	HEX HD BOLT	6				
19	NUT-0263	NYLOC NUT	12				
20	BLTA08320	HEX HD BOLT	6				
21	199349 01	INNER HUB (ROTOR)	NOT INC			ITEMS 21 & 22 NOT INCLUDED IN THIS KIT, REUSE EXISTING HUBS FROM VARIABLE SPEED PULLEYS	
22	199350 01	OUTER HUB (GEARBOX)	NOT INC				
23							
24							
25							
26							
27							
28							
29						ITEMS 4-20, 34 & 35 SUPPLIED IN KIT-19092	
30							
31							
32							
33							
34	293189 01	DRIVE CHANGED DECAL	1				
35	293182 01	SPEED DECAL	1				
36							
37	KIT-19095	SPARE LAMINATE PULLEY MTG KIT	NOT INC			ITEM 37 NOT INCLUDED ONLY REQUIRED IF ADDITIONAL PULLEY SUPPLIED	
38							
39							



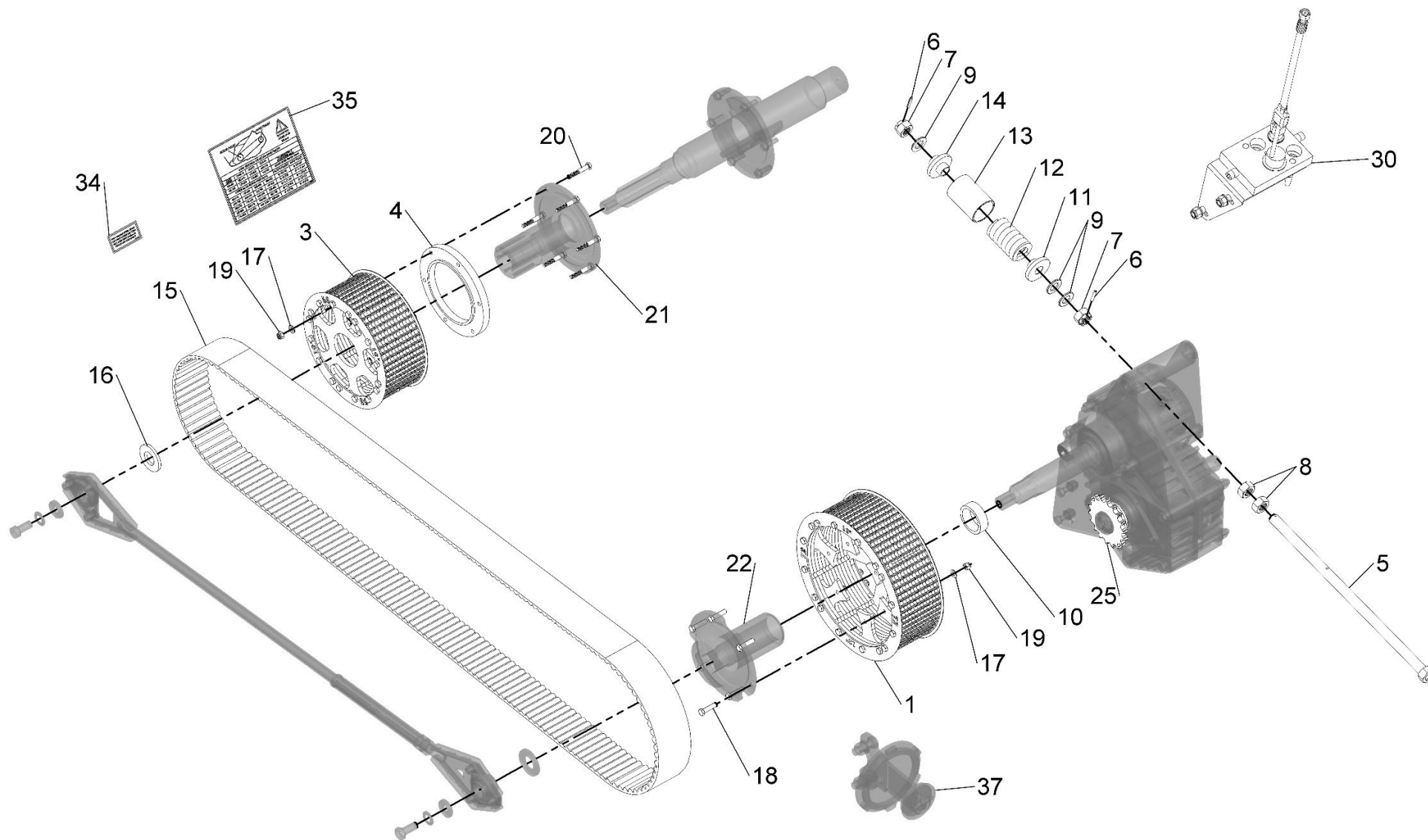
- Rotor Speed Range: 510rpm to 690rpm
- Total Retail Price: \$1219.00 (Subject To Change)

ASSY NUMBER: KIT-19089				ASSY DESCRIPTION: JOHN DEERE HTD LAMINATE CONVERSION KIT FOR 60, 70, S600 & S700 SERIES (NOT X9)			
ITEM	PART NO	DESCRIPTION	QTY	ITEM	PART NO	DESCRIPTION	QTY
1							
2	292864 01	64T HTD LAMINATE PULLEY ASSY	1			DO NOT RUN AUGER OVER 200rpm	
3	292872 01	72T HTD LAMINATE PULLEY ASSY	1				
4	292865 01	HTD CONVERSION ALIGNMENT RING	1			64T PULLEY FITTED TO GEARBOX	
5	198029 01	G/BOX ADJUSTER ROD	1			72T PULLEY FITTED TO ROTOR	
6	PIN-1620	ROLL PIN	2			ROTOR SPEED RANGE = 510-700rpm	
7	NUT-0580	CASTLE NUT	2				
8	NUT-0185	PLAIN NUT	2			72T PULLEY FITTED TO GEARBOX	
9	WSH-0030	PLAIN WASHER	3			64T PULLEY FITTED TO ROTOR	
10	292586 01	SPACER	1			ROTOR SPEED RANGE = 650-880rpm	
11	199737 01	SPRING BOSS	1				
12	SPGE02530	SPRING	1			FOR SLOWER ROTOR SPEEDS ORDER	
13	199736 01	SPRING SETTING TUBE	1			56T PULLEY, PART No 293125 01	
14	199738 01	SPRING BOSS	1				
15	BEL-55350	HTD BELT	1				
16	190548 36	WASHER	1				
17	WSH-0012	PLAIN WASHER	12				
18	HSS-0152	HEX HD BOLT	6				
19	NUT-0263	NYLOC NUT	12				
20	BLTA08320	HEX HD BOLT	6				
21	199349 01	INNER HUB (ROTOR)	NOT INC			ITEMS 21 & 22 NOT INCLUDED IN THIS KIT, REUSE EXISTING HUBS FROM VARIABLE SPEED PULLEYS	
22	199350 01	OUTER HUB (GEARBOX)	NOT INC				
23							
24							
25	192768 16	AUGER SPROCKET (15 TEETH)	1				
26							
27							
28							
29						ITEMS 4-20, 34 & 35 SUPPLIED IN KIT-19092	
30	KIT-01733	JD MULTI COUPLER KIT	1				
31							
32							
33							
34	293189 01	DRIVE CHANGED DECAL	1				
35	293182 01	SPEED DECAL	1				
36							
37	KIT-19095	SPARE LAMINATE PULLEY MTG KIT	NOT INC			ITEM 37 NOT INCLUDED ONLY REQUIRED IF ADDITIONAL PULLEY SUPPLIED	
38							
39							



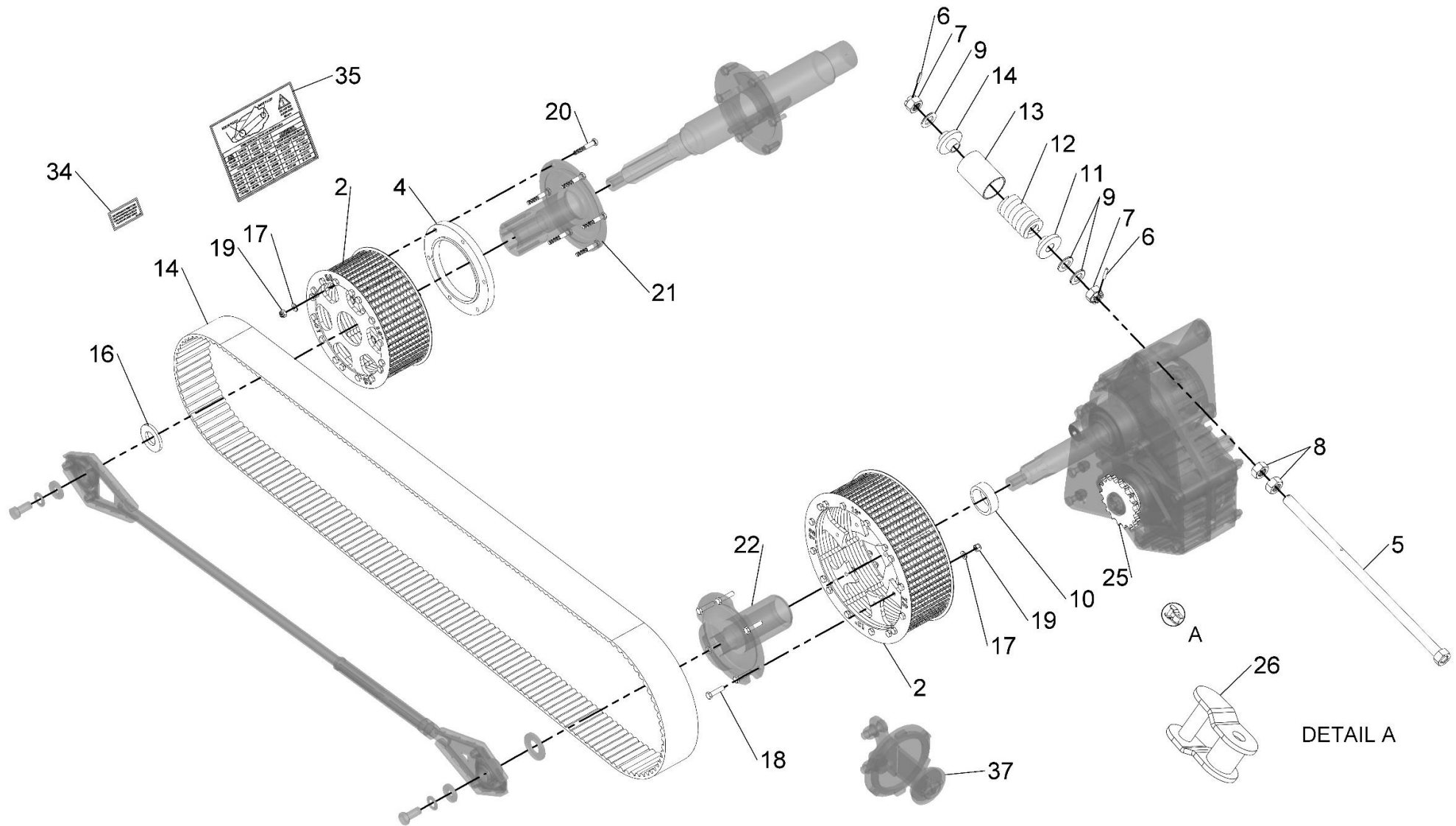
- Rotor Speed Range: 510rpm to 700rpm
- Total Retail Price: \$1984.00 (Subject To Change)

ASSY NUMBER: KIT-19091				ASSY DESCRIPTION: AGCO HTD LAMINATE CONVERSION KIT (NOT FOR IDEAL COMBINE)				
ITEM	PART NO	DESCRIPTION	QTY	ITEM	PART NO	DESCRIPTION	QTY	
1	293125 01	56T HTD LAMINATE PULLEY ASSY	1			DO NOT RUN AUGER OVER 200rpm		
2								
3	292872 01	72T HTD LAMINATE PULLEY ASSY	1			56T PULLEY FITTED TO GEARBOX 72T PULLEY FITTED TO ROTOR ROTOR SPEED RANGE = 500-680rpm		
4	292865 01	HTD CONVERSION ALIGNMENT RING	1					
5	198029 01	G/BOX ADJUSTER ROD	1					
6	PIN-1620	ROLL PIN	2					
7	NUT-0580	CASTLE NUT	2					
8	NUT-0185	PLAIN NUT	2					
9	WSH-0030	PLAIN WASHER	3			72T PULLEY FITTED TO GEARBOX 56T PULLEY FITTED TO ROTOR ROTOR SPEED RANGE = 830-1000rpm		
10	292586 01	SPACER	1					
11	199737 01	SPRING BOSS	1					
12	SPGE02530	SPRING	1			FOR ALTERNATIVE ROTOR SPEEDS ORDER 64T PULLEY, PART No 292864 01		
13	199736 01	SPRING SETTING TUBE	1					
14	199738 01	SPRING BOSS	1					
15	BEL-55350	HTD BELT	1					
16	190548 36	WASHER	1			ITEMS 21 & 22 NOT INCLUDED IN THIS KIT, REUSE EXISTING HUBS FROM VARIABLE SPEED PULLEYS		
17	WSH-0012	PLAIN WASHER	12					
18	HSS-0152	HEX HD BOLT	6					
19	NUT-0263	NYLOC NUT	12					
20	BLTA08320	HEX HD BOLT	6					
21	199349 01	INNER HUB (ROTOR)	NOT INC					
22	199350 01	OUTER HUB (GEARBOX)	NOT INC					
23								
24								
25	192768 20	AUGER SPROCKET (12 TEETH)	1			ITEMS 4-20, 34 & 35 SUPPLIED IN KIT-19092		
26								
27								
28								
29								
30	KIT-01736	AGCO MULTI COUPLER KIT	1					
31								
32								
33								
34	293189 01	DRIVE CHANGED DECAL	1					
35	293182 01	SPEED DECAL	1					
36						ITEM 37 NOT INCLUDED ONLY REQUIRED IF ADDITIONAL PULLEY SUPPLIED		
37	KIT-19095	SPARE LAMINATE PULLEY MTG KIT	NOT INC					
38								
39								



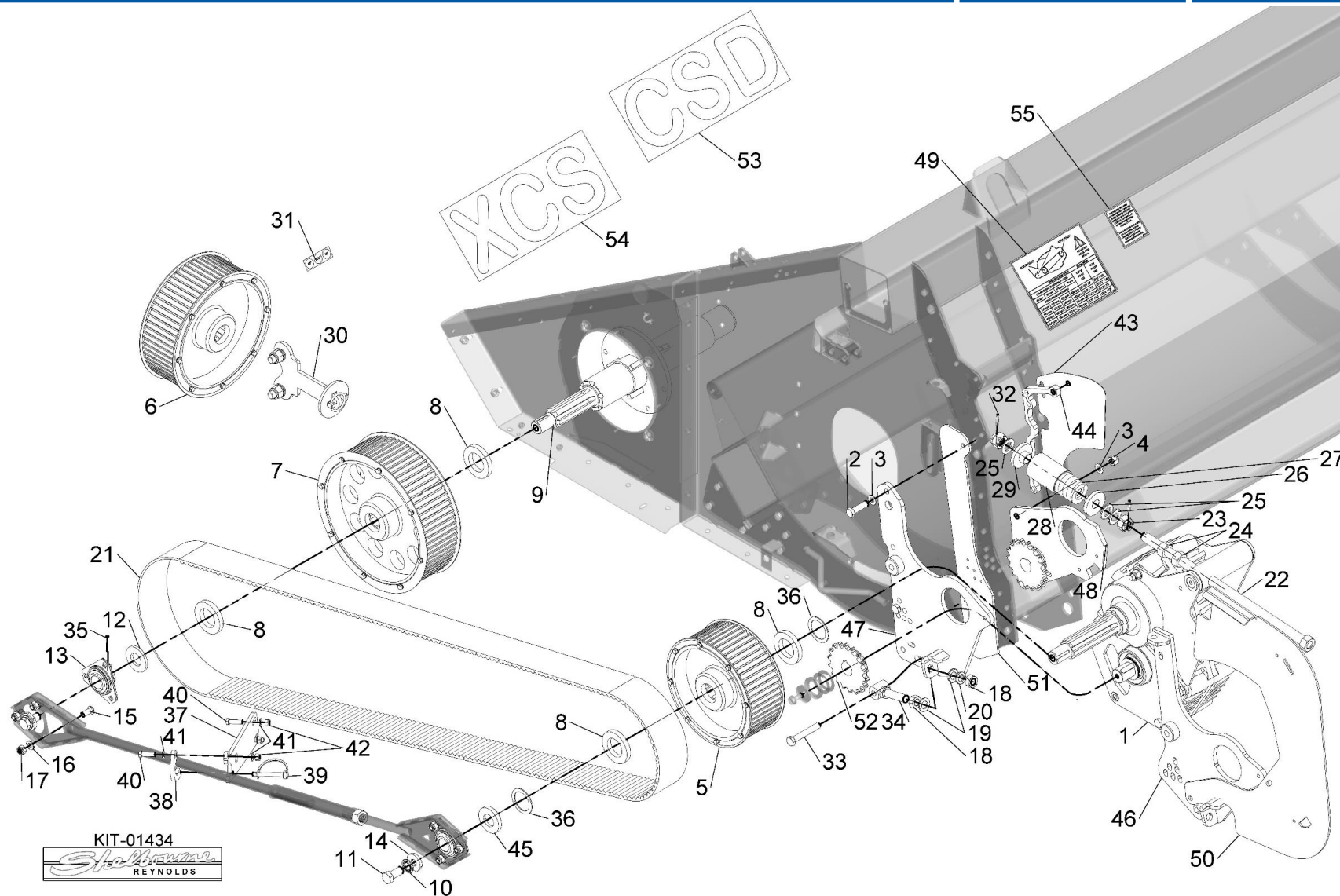
- Rotor Speed Range: 500rpm to 680rpm
- Total Retail Price: \$1710.00 (Subject To Change)

ASSY NUMBER: KIT-19094				ASSY DESCRIPTION: CLAAS HTD LAMINATE CONVERSION KIT			
ITEM	PART NO	DESCRIPTION	QTY	ITEM	PART NO	DESCRIPTION	QTY
1							
2	292864 01	64T HTD LAMINATE PULLEY ASSY	2			DO NOT RUN AUGER OVER 200rpm	
3							
4	292865 01	HTD CONVERSION ALIGNMENT RING	1			64T PULLEY FITTED TO GEARBOX	
5	198029 01	G/BOX ADJUSTER ROD	1			64T PULLEY FITTED TO ROTOR	
6	PIN-1620	ROLL PIN	2			ROTOR SPEED RANGE = 500-680rpm	
7	NUT-0580	CASTLE NUT	2				
8	NUT-0185	PLAIN NUT	2				
9	WSH-0030	PLAIN WASHER	3				
10	292586 01	SPACER	1			FOR ALTERNATIVE ROTOR SPEEDS	
11	199737 01	SPRING BOSS	1			ORDER	
12	SPGE02530	SPRING	1			56T PULLEY, PART No 293125 01	
13	199736 01	SPRING SETTING TUBE	1			OR	
14	199738 01	SPRING BOSS	1			72T PULLEY, PART No 292872 01	
15	BEL-55350	HTD BELT	1				
16	190548 36	WASHER	1				
17	WSH-0012	PLAIN WASHER	12				
18	HSS-0152	HEX HD BOLT	6				
19	NUT-0263	NYLOC NUT	12				
20	BLTA08320	HEX HD BOLT	6				
21	199349 01	INNER HUB (ROTOR)	NOT INC			ITEMS 21 & 22 NOT INCLUDED IN THIS KIT, REUSE EXISTING HUBS FROM VARIABLE SPEED PULLEYS	
22	199350 01	OUTER HUB (GEARBOX)	NOT INC				
23							
24							
25	192768 08	AUGER SPROCKET (13 TEETH)	1				
26	CHN-01910	CHAIN HALF LINK	1				
27							
28							
29						ITEMS 4-20, 34 & 35 SUPPLIED IN KIT-19092	
30							
31							
32							
33							
34	293189 01	DRIVE CHANGED DECAL	1				
35	293182 01	SPEED DECAL	1				
36							
37	KIT-19095	SPARE LAMINATE PULLEY MTG KIT	NOT INC			ITEM 37 NOT INCLUDED ONLY REQUIRED IF ADDITIONAL PULLEY SUPPLIED	
38							
39							
40							

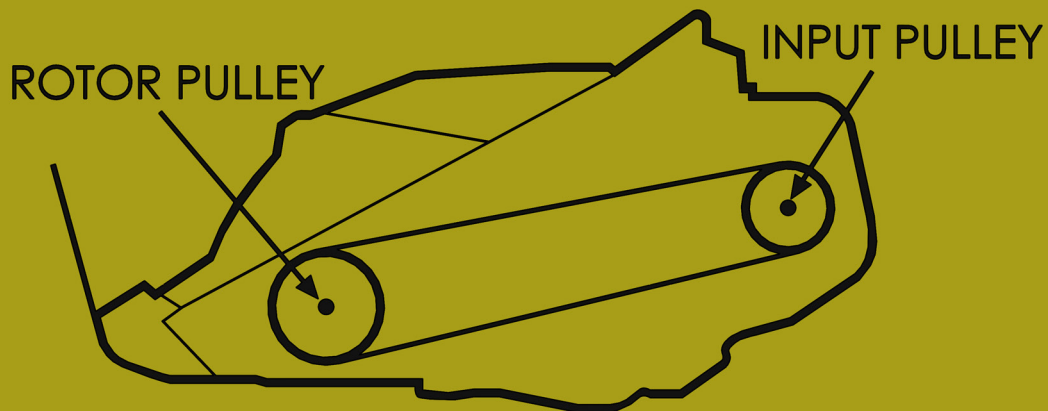


- Rotor Speed Range: 500rpm to 680rpm
- Total Retail Price: \$1295.00 (Subject To Change)

ASSY NUMBER: KIT-01434				ASSY DESCRIPTION: VS TO HTD DRIVE CONVERSION KIT			
ITEM	PART NO	DESCRIPTION	QTY	ITEM	PART NO	DESCRIPTION	QTY
1	GEA-0065	INPUT GEARBOX ASSY SEE GEA-0065 PAGE FOR PARTS BREAKDOWN	1	36	190119 71	WASHER (2mm)	1
2	BLTA12290	HEX HEAD BOLT	2	OR	198800 75	WASHER (4mm)	1
3	WSH-0018	PLAIN WASHER	4	OR	198800 76	WASHER (6mm)	2
4	NUT-0269	NYLOC NUT	3	OR	198800 78	WASHER (8mm)	1
5	292538 01	HTD PULLEY (56T, 10")	1	37	199739 01	TIE ROD REAINER	1
6	292539 01	HTD PULLEY (64T, 11½")	1	38	199740 01	RETAINING PLATE	1
7	292540 01	HTD PULLEY (72T, 13")	1	39	PIN-1720	SPRING PIN	1
8	292858 01	HTD PULLEY WASHER	4	40	HSS-0150	SETSCREW	3
9	198138 01	ROTOR DRIVE SHAFT W/A (70mm)	1	41	WSH-0012	PLAIN WASHER	6
10	WSHA30161	LOCK WASHER	2	42	NUT-0263	NYLOC NUT	3
11	HSS-0315	SETSCREW	2	43	198254 01	INNER SHIELD PLATE	1
12	190548 36	WASHER	1	44	198253 01	INNER SHIELD RIB	1
13	BRG-0240	BEARING	2	45	291843 01	SHOULDERED WASHER	1
14	198800 48	WASHER	2	46	199260 01	GEARBOX SUPPORT PLT W/A	1
15	BLT-3745	COACHBOLT	6	47	290928 01	EXCEL HTD GEARBOX MTG BRACKET	1
16	WSH-0015	PLAIN WASHER	6	48	199450 01	MOUNTING BRACKET	1
17	NUT-0265	NYLOC NUT	6	49	292044 01	XCS/CSD SPEED SELECTION DECAL	1
18	NUT-0180	PLAIN NUT	2	50	290937 01	GUARD MOUNTING PLATE (HTD)	1
19	WSH-0024	PLAIN WASHER	2	51	291990 01	XCV HTD DRILL TEMPLATE	1
20	WSH-0070	SPRING WASHER	1	52	192768 16	SPROCKET ASSY 15T (STEPPED)	1
21	BEL-55350	BELT	1	53	291710 03	STRIPPER TRANSFER (CSD)	1
22	198029 01	GEARBOX ADJUSTER ROD	1	54	199222 01	XCS LARGE TRANSFER	1
23	NUT-0580	CASTLE NUT	2	55	292151 01	TRANSFER	1
24	NUT-0185	PLAIN NUT	3	56			
25	WSH-0030	PLAIN WASHER	3	57			
26	199737 01	REAR SPRING BOSS	1	58		ITEMS 1 - 45 IS KIT-01434A	
27	SPGE02530	DIE SPRING	1	59			
28	199736 01	SPRING SETTING TUBE	1	60			
29	199738 01	FRONT SPRING BOSS	1	61			
30	KIT-01336	SPARE PULLEY MOUNTING KIT SEE KIT-01336 FOR BREAKDOWN	1	62			
31	199413 01	PULLEY IDENTIFICATION DECAL	1	63			
32	PIN-1620	ROLL PIN	2	64			
33	BLTA12500	HEX HEAD BOLT	1	65			
34	199412 01	ADJUSTER W/A	1	66			
35	SCGF06047	GRUB SCREW	2	67			
				68			
				69			



- Total Retail Price: \$13,095 (Subject To Change)
- depending on combine model additional hydraulic multicoupler kit and/or alternate auger sprockets required, contact Shelbourne Reynolds.



DO NOT RUN
AUGER OVER
200 rpm

SPEED SELECTION CHART LAMINATE PULLEYS

		JOHN DEERE	CASE IH	AGCO	CLAAS
COMBINE DRIVE SHAFT SPEED (rpm)		500-680	500-670	630-850	540-740
AUGER SPEED RANGE (rpm)		150-200	150-200	150-200	140-190
ROTOR PULLEY	INPUT PULLEY	APPROXIMATE ROTOR SPEED (rpm)			
Ø 13"/72T	Ø 10"/56T	450-610	400-530	500-680	390-530
Ø 13"/72T	Ø 11.5"/64T	510-700	460-610	570-780	440-600
Ø 11.5"/64T	Ø 11.5"/64T	580-790	510-690	650-870	500-680
Ø 11.5"/64T	Ø 13"/72T	650-880	580-770	730-980	560-760
Ø 10"/56T	Ø 13"/72T	740-1000	660-890	830-1000	630-870

293182 01