

Shelbourne

REYNOLDS

MAN-0310

HYDRAULIC PUH ADAPTOR AND DRIVE PARTS MANUAL



Shelbourne Reynolds Engineering Ltd
Stanton
Bury St Edmunds
Suffolk
IP31 2AR
England

Telephone: 01359 250415
Fax: 01359 250464

Stores Direct : 01359 251231
Stores Direct: 01359 252031

Issue 2 27/11/2023

PICK UP HEADER

www.shelbourne.com



List Of Kit Numbers

196517 01K	Adaptor Plate Assembly IHC	5
KIT-00601	Adaptor Plate ICH	6
196517 02K	Adaptor Plate Assembly - DEUTZ FAHR	9
KIT-00602	Adaptor Plate DEUTZ-FAHR	10
196517 04K	Adaptor Plate Assembly - CLAAS	13
KIT-00604	Adaptor Plate - CLAAS	14
KIT-00807	Fixing Kit (CLAAS)	16
196517 05K	Adaptor Plate Assembly - CLAAS	19
KIT-00605	Adaptor Plate - John Deere	20
KIT-00805	Bottom Pick Up Fixing Kit - John Deere	22
196517 06K	Adaptor Plate Assembly - New Holland	25
209010 02	Hydraulic Reservoir Assembly	26
KIT-00606	Adaptor Plate - NH	26
196517 09K	Adaptor Plate Assembly - MF30-40(DRON)	29
KIT-00603	Adaptor Plate - MF (DRON)	30
KIT-00802	MF30-40 (DRON) Fixing Kit	32
196517 11K	Adaptor Plate Assembly - LAV (3800/3900)	35
KIT-00609	Adaptor Plate - LAVERDA	36
196517 14K	Adaptor Plate Assembly - JD (AMERICAN)	39
KIT-00605	Adaptor Plate - JD (From 196517 05)	40
KIT-00804	Levelling Spacers (JD)	42
196517 17K	Adaptor Plate Assembly - CLAAS (AUTO-CONT.)	45
KIT-00604	Adaptor Plate - CLAAS (From 196517 04)	46
KIT-00804	Adaptor Plate Fixing Kit	48
196517 18K	Adaptor Plate Assembly - JD (Z SERIES)	51
KIT-00612	Adaptor Plate - JD-Z SERIES (From 196517 18K)	52
196517 19K	Adaptor Plate Assembly - CLAAS (LEXION)	55
KIT-00613	Adaptor Plate - CLAAS (LEXION)	56
196517 20K	Adaptor Plate Assembly - MF30-40(Auto,1996)	59
KIT-00614	Adaptor Plate - MF30-40 (Auto,1996)	60
209901 005	M/P P.U.H Drive Kit-IHC (Axial Flow)	62
209901 006	M/P P.U.H Drive Kit-IHC (Field Track)	64
209901 015	M/P P.U.H Drive Kit-IHC (Claas 2 Series)	66
209901 016	M/P P.U.H Drive Kit-IHC (Claas Lexion)	68
209901 025	M/P P.U.H Drive Kit (NH-TX66, TX68 PTO)	70
209901 026	M/P P.U.H Drive Kit (NH-TX36 & TF46)	72
209901 035	M/P P.U.H Drive Kit (JD ERPN)	74
209901 055	M/P P.U.H Drive Kit (DEUTZ FAHR-PTO)	76
209901 065	M/P P.U.H Drive Kit (LAV.626 INTERG)	78
209901 075	M/P P.U.H Drive Kit (NH-SQDR)	80
209901 115	M/P P.U.H Drive Kit (MF 34)	82

209901 116	M/P P.U.H Drive Kit (MF 30-40 Auto Level)	84
209901 175	M/P P.U.H Drive Kit (JD 2054,56,58 LL)	86
209901 176	M/P P.U.H Drive Kit (JD Z, HM & LL Elevator)	88
209901 177	M/P P.U.H Drive Kit (JD.2066, 68 LL)	90
209901 178	M/P P.U.H Drive Kit (JD USA)	92
KIT-00206	Drive Support Bracket Kit	94
KIT-00207	Drive Support Bracket Kit	96
KIT-00208	Drive Support Bracket Kit	98
KIT-00209	Drive Support Bracket Kit	100
KIT-00210	Drive Support Bracket Kit	102
KIT-00211	Drive Support Bracket Kit	104
KIT-00212	Drive Support Bracket Kit	106
KIT-00213	Drive Support Bracket Kit	108
KIT-00214	Drive Support Bracket Kit	110
KIT-00215	Drive Support Bracket Kit	112
KIT-00216	Drive Support Bracket Kit	114
KIT-00218	Drive Support Bracket Kit	116
KIT-00520	Rear Guard Kit	118
KIT-00526	Rear Guard Kit	120
KIT-02403	Hydraulic Pump & Gearbox Assembly	122
KIT-02404	Hydraulic Pump & Gearbox Assembly	124
KIT-02405	Hydraulic Pump & Gearbox Assembly	126
KIT-02523	Hydraulic Hose Kit	128
KIT-02524	Hydraulic Hose Kit	130
KIT-02525	Hydraulic Hose Kit	132
KIT-02526	Hydraulic Hose Kit	134
KIT-02527	Hydraulic Hose Kit	136
KIT-02528	Hydraulic Hose Kit	138
KIT-02529	Hydraulic Hose Kit	140

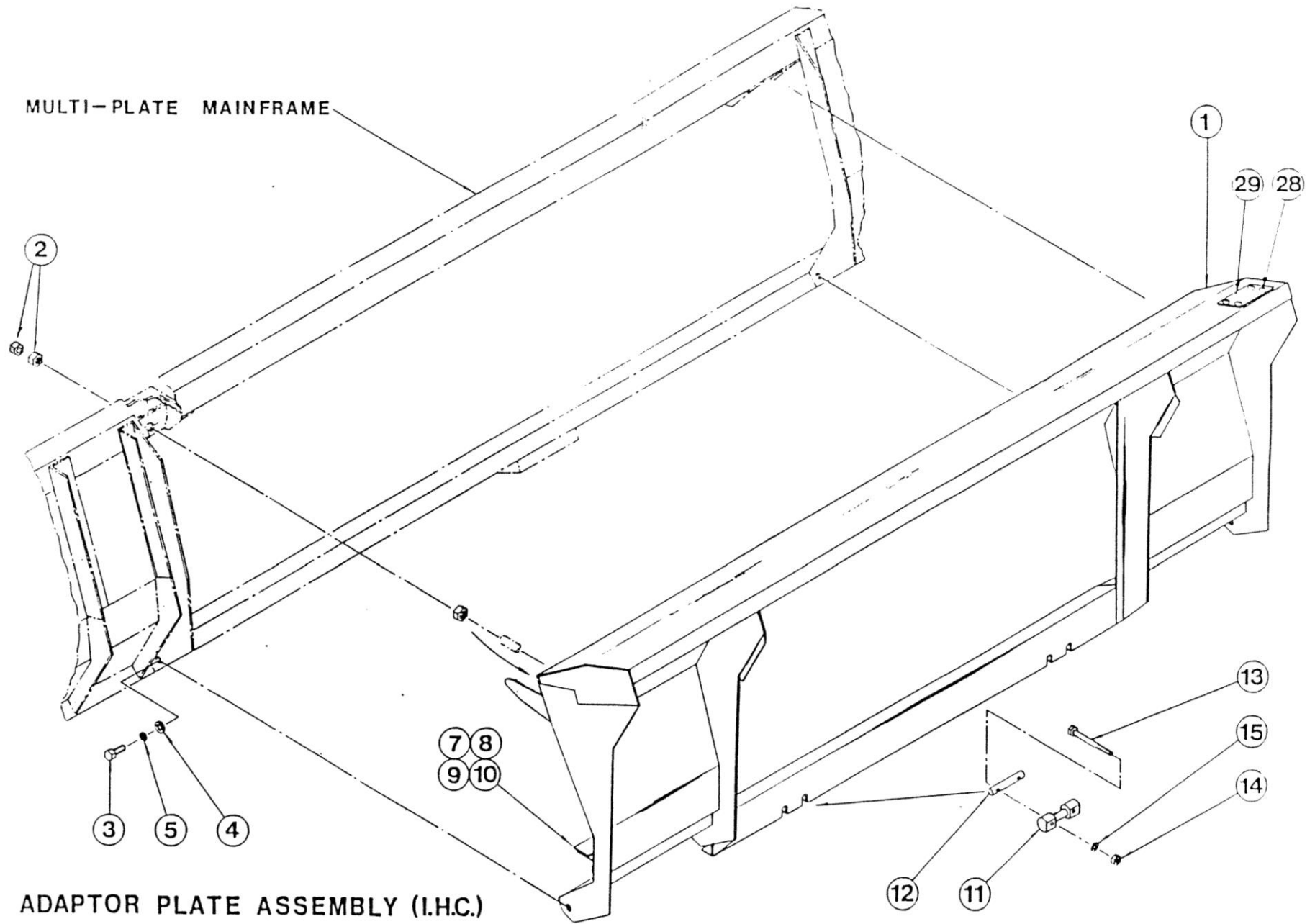
Shelbourne Reynolds Engineering Limited

ASSY NUMBER:196517 01K				ASSY DESCRIPTION: ADAPTOR PLATE ASSY IHC			
ITEM	PART NUMBER	DESCRIPPTION	QTY	ITEM	PART NUMBER	DESCRIPTION	QTY
1	KIT-00601	ADAPTOR PLATE SUB	1				

Shelbourne Reynolds Engineering Limited

ASSY NUMBER:KIT-00601				ASSY DESCRIPTION: ADAPTOR PLATE IHC (FROM ASSY 196517 01)			
ITEM	PART NUMBER	DESCRIPPTION	QTY	ITEM	PART NUMBER	DESCRIPTION	QTY
1	191051 01	FRAME WELD ASSY	1				
2	NUT-0190	PLAIN NUT	6				
3	HSS-0315	SET SCREW	2				
4	WSH-0024	PLAIN WASHER	2				
5	WSH-0070	SPRING WASHER	2				
6							
7	191063 02	SCRAPER	2				
8	BLT-4710	COACH BOLT	6				
9	NUT-0263	NYLOC NUT	6				
10	WSH-0012	PLAIN WASHER	6				
11	130236 01	PICK UP BAR	2				
12	130237 01	FIXING BAR	2				
13	BLT-2273	BOLT	4				
14	NUT-0269	NYLOC NUT	4				
15	WSH-0018	PLAIN WASHER	8				
28	POP-0006	POP RIVET	4				
29	134024 05	IDENTIFICATION PLATE	1				

Shelbourne Reynolds Engineering Limited



Shelbourne Reynolds Engineering Limited

ASSY NUMBER:196517 02K				ASSY DESCRIPTION: ADAPTOR PLATE ASSY - DEUTZ FAHR			
ITEM	PART NUMBER	DESCRIPPTION	QTY	ITEM	PART NUMBER	DESCRIPTION	QTY
1	KIT-00602	ADAPTOR PLATE SUB	1				

Shelbourne Reynolds Engineering Limited

ASSY NUMBER:KIT-00602				ASSY DESCRIPTION: ADAPTOR PLATE DEUTZ-FAHR (FROM ASSY 196517 02)			
ITEM	PART NUMBER	DESCRIPPTION	QTY	ITEM	PART NUMBER	DESCRIPTION	QTY
1	191064 01	FRAME WELD ASSY	1				
2	NUT-0190	PLAIN NUT	6				
3	HSS-0315	SET SCREW	2				
4	WSH-0024	PLAIN WASHER	2				
5	WSH-0070	SPRING WASHER	2				
6							
7	191078 02	SCRAPER	2				
8	BLT-4710	COACH BOLT	6				
9	NUT-0263	NYLOC NUT	6				
10	WSH-0012	PLAIN WASHER	6				
11	130174 01	CLAMP LH	1				
12	130174 02	CLAMP RH	1				
13	130176	SPRING ROD	2				
14	130158	SPRING	2				
15	PIN-1164	SPLIT PIN	2				
16	PIN-1167	SPLIT PIN	2				
17	WSH-0021	PLAIN WASHER	2				
18	BLT-2206	BOLT	2				
19	NUT-0265	NYLOC NUT	2				
20	WSH-0015	PLAIN WASHER	2				
21	NUT-0180	PLAIN NUT	2				
22	HSS-0316	BOLT	2				
28	POP-0006	POP RIVET	4				
29	134024 05	IDENTIFICATION PLATE	1				

Shelbourne Reynolds Engineering Limited

MULTI-PLATE MAINFRAME

2

1

29

28

3

5

4

7 8
9 10

ADAPTOR PLATE ASSEMBLY (D.F.)

18

11

12

22

21

LH

15

16

13

20

19

17

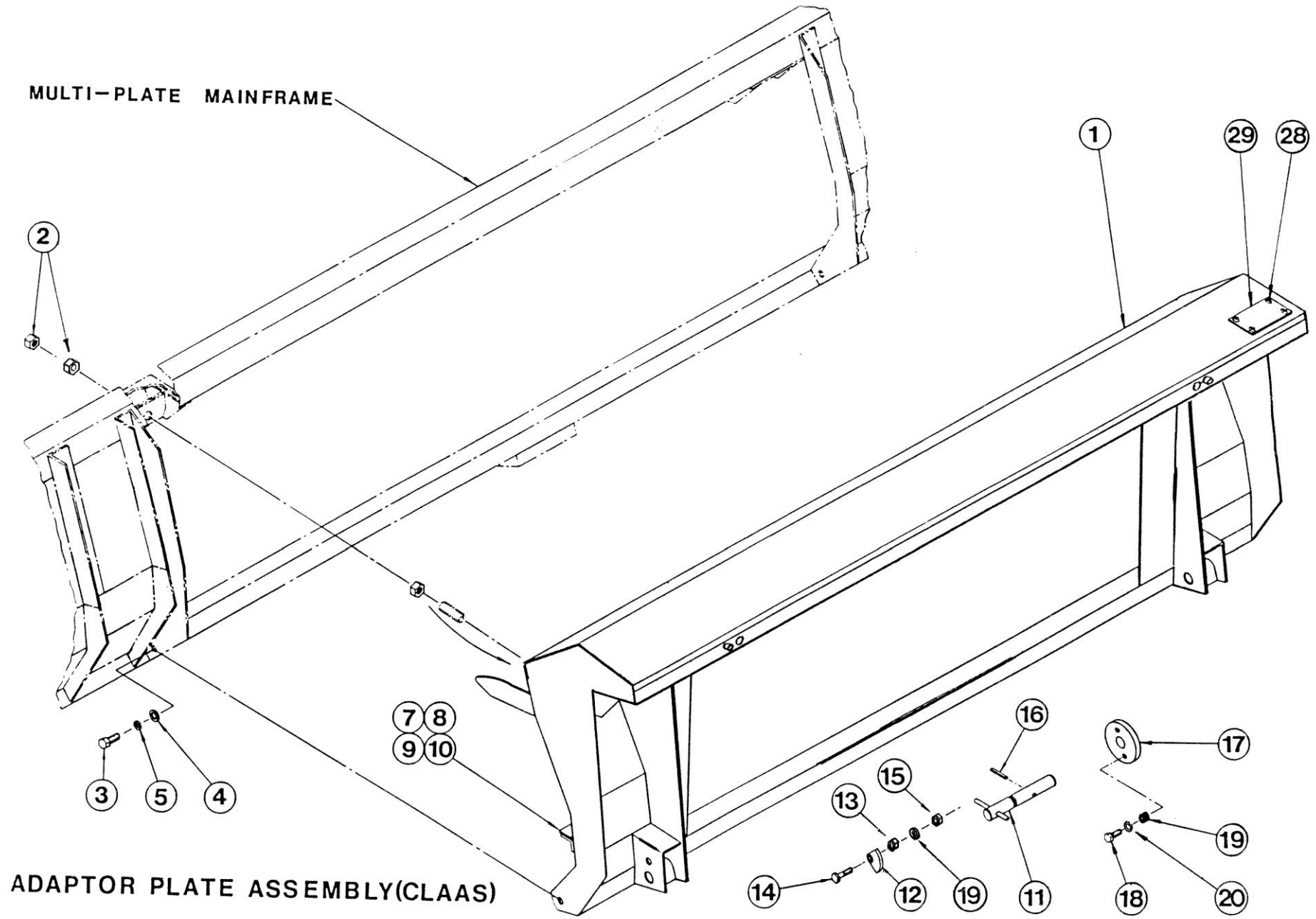
14

Shelbourne Reynolds Engineering Limited

ASSY NUMBER:196517 04K				ASSY DESCRIPTION: ADAPTOR PLATE ASSY - CLAAS (STD.ELEV.)			
ITEM	PART NUMBER	DESCRIPPTION	QTY	ITEM	PART NUMBER	DESCRIPTION	QTY
1	KIT-00604	ADAPTOR PLATE SUB	1				
2	KIT-00807	FIXING KIT	1				

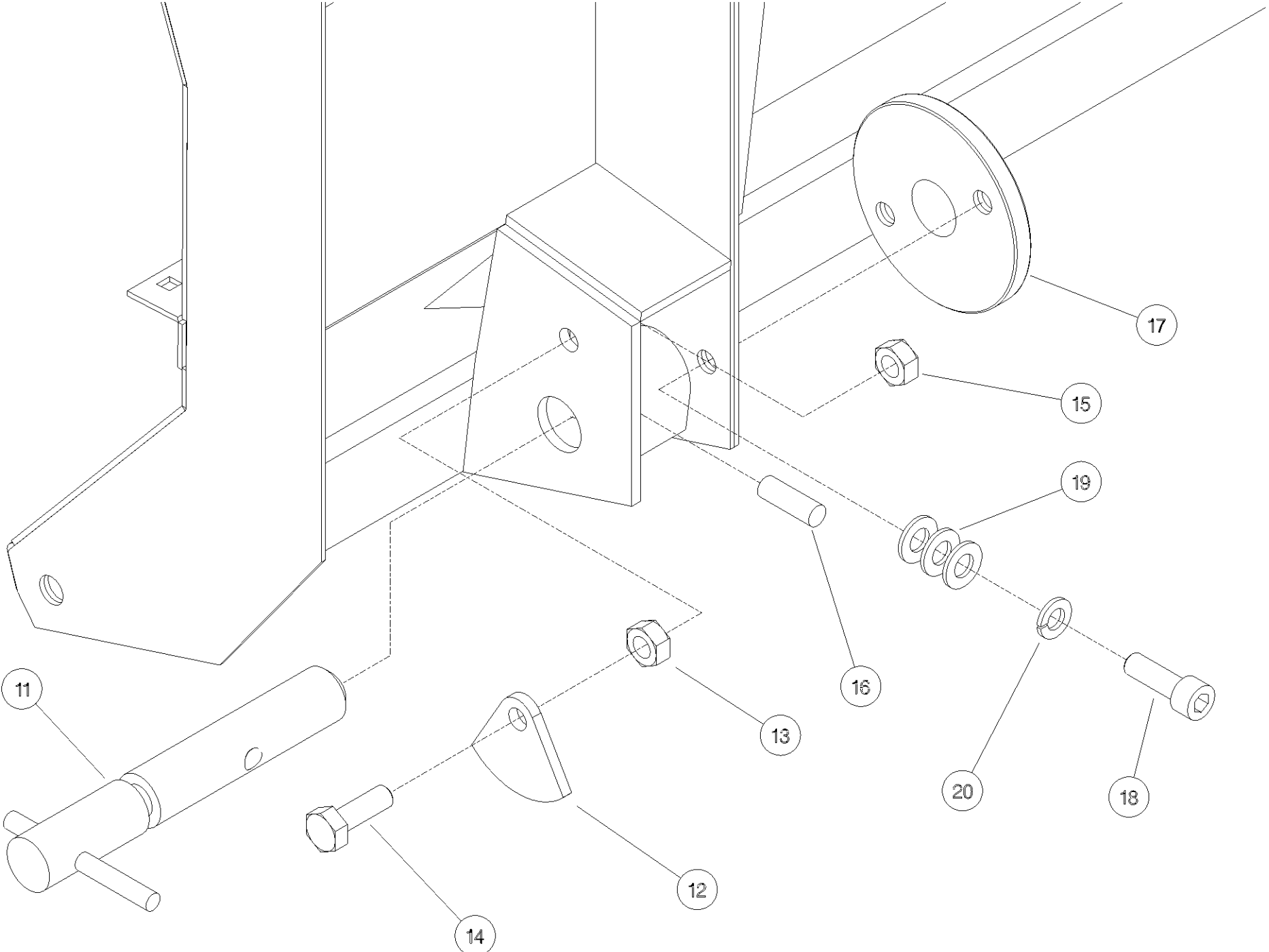
Shelbourne Reynolds Engineering Limited

ASSY NUMBER:KIT-00604				ASSY DESCRIPTION: ADAPTOR PLATE - CLAAS (FROM 196517 04)			
ITEM	PART NUMBER	DESCRIPPTION	QTY	ITEM	PART NUMBER	DESCRIPTION	QTY
1	191123 01	FRAME WELDED ASSY	1				
2	NUT-0190	NUT	6				
3	HSS-0315	SCREW	2				
4	WSH-0024	WASHER	2				
5	WSH-0070	SPRING WASHER	2				
6							
7	191134 02	SCRAPER	2				
8	BLT-4710	COACH BOLT	6				
9	NUT-0263	NYLOC NUT	6				
10	WSH-0012	FLAT WASHER	6				
11							
12							
13							
14							
15							
16							
17							
18							
19							
28	POP-0006	POP RIVET	4				
29	134024 05	IDENTIFICATION PLATE	1				



Shelbourne Reynolds Engineering Limited

ASSY NUMBER: KIT-00807				ASSY DESCRIPTION: FIXING KIT (CLAAS STD.ELEV.)			
ITEM	PART NO	DESCRIPTION	QTY	ITEM	PART NO	DESCRIPTION	QTY
1				42			
2				43			
3				44			
4				45			
5				47			
6				48			
7				49			
8				50			
9				51			
10				52			
11	130088 01	LOCKING HANDLE	2	53			
12	210125 01	LOCKING CAM	2	54			
13	NUT-0170	PLAIN NUT	2	55			
14	HSS-0250	SET SCREW	2	56			
15	NUT-0269	NYLOC NUT	2	57			
16	PIN-1935	ROLL PIN	2	58			
17	130112 01	GUIDE DISC	2	59			
18	SCW-0243	CAP HEAD SCREW	4	60			
19	WSH-0018	PLAIN WASHER	22	61			
20	WSH-0065	SPRING WASHER	4	62			
21				63			
22				64			
23				65			
24				66			
25				67			
26				68			
27				69			
29				70			
30				71			
31				72			
32				73			
33				74			
34				75			
35				76			
36				77			
37				78			
38				79			
39				80			
40				81			
41				82			

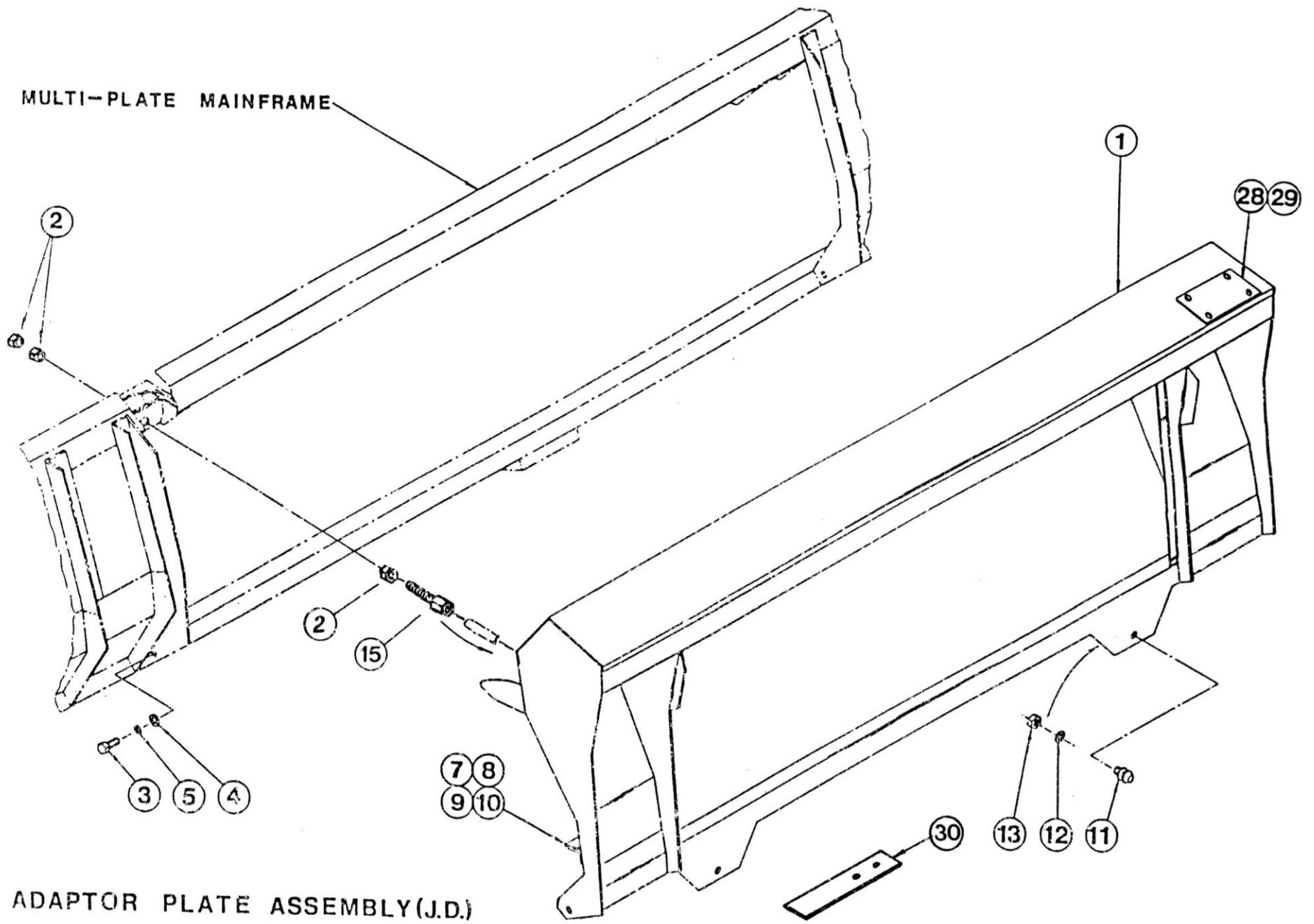


Shelbourne Reynolds Engineering Limited

ASSY NUMBER:196517 05K				ASSY DESCRIPTION: ADAPTOR PLATE ASSY - CLAAS (STD.ELEV.)			
ITEM	PART NUMBER	DESCRIPPTION	QTY	ITEM	PART NUMBER	DESCRIPTION	QTY
1	KIT-00605	ADAPTOR PLATE SUB	1				
2	KIT-00805	FIXING KIT	1				

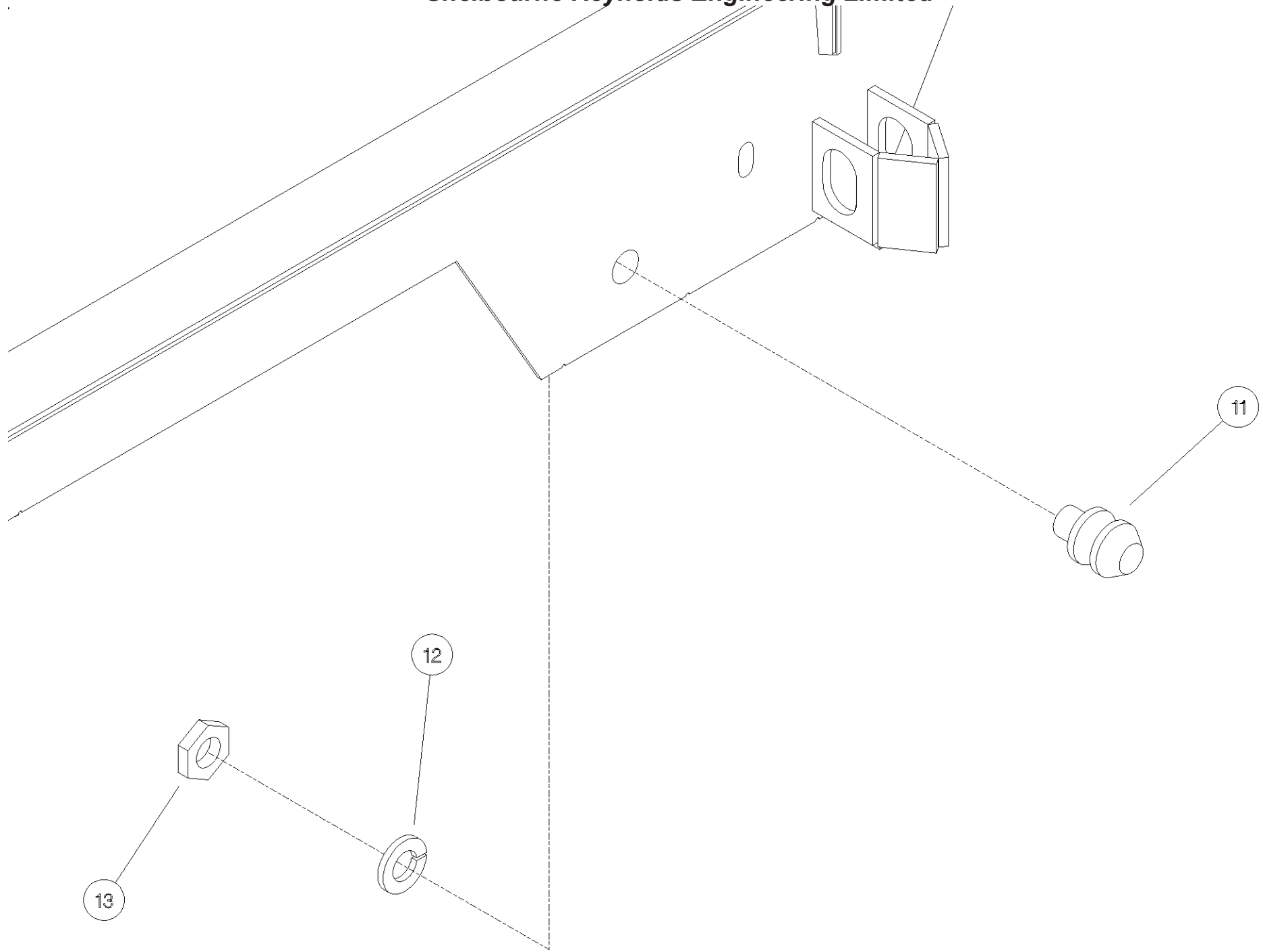
Shelbourne Reynolds Engineering Limited

ASSY NUMBER:KIT-00605				ASSY DESCRIPTION: ADAPTOR PLATE - JD (FROM 196517 05)			
ITEM	PART NUMBER	DESCRIPPTION	QTY	ITEM	PART NUMBER	DESCRIPTION	QTY
1	191216 01	FRAME WELD ASSY	1				
2	NUT-0190	PLAIN NUT	6				
3	HSS-0315	SET SCREW	2				
4	WSH-0024	PLAIN WASHER	2				
5	WSH-0070	SPRING WASHER	2				
6							
7	191223 02	SCRAPER	2				
8	BLT-4710	COACH BOLT	6				
9	NUT-0263	NYLOC NUT	6				
10	WSH-0012	PLAIN WASHER	6				
11							
12							
13							
14							
15							
28	POP-0006	POP RIVET	4				
29	134024 05	IDENTIFICATION PLATE PACKER PLATE	1				
30	197208 01	SCREW	2				
31	SCW-1580	PLAIN WASHER	6				
32	WSH-0009	NYLOC NUT	6				
33	NUT-0260		6				



Shelbourne Reynolds Engineering Limited

ASSY NUMBER: KIT-00805				ASSY DESCRIPTION: BOTTOM PICK UP FIXING KIT JD (ERP)			
ITEM	PART NO	DESCRIPTION	QTY	ITEM	PART NO	DESCRIPTION	QTY
1			1				
2							
3							
4							
5							
6							
7							
8							
9							
10							
11	130130	PICK UP PIN	2				
12	WSH-0075	SPRING WASHER	2				
13	NUT-0385	HALF NUT	2				
14							
15							
16							
17							
18							
19							
20							
21							
22							
23							
24							
25							
26							
27							
29							
30							
31							
32							
33							
34							
35							
36							
37							
38							
39							
40							
41							

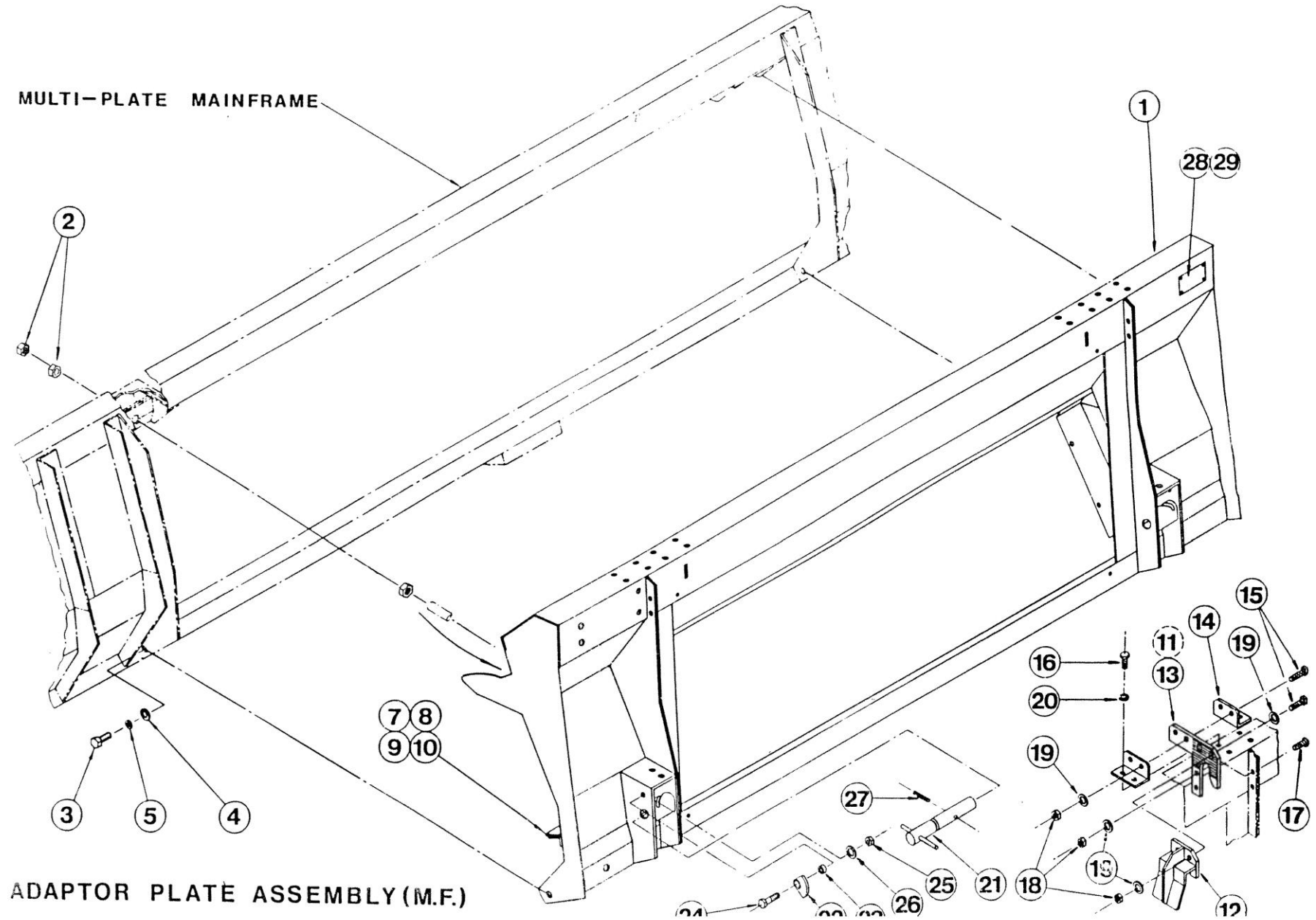


Shelbourne Reynolds Engineering Limited

ASSY NUMBER:196517 06K				ASSY DESCRIPTION: ADAPTOR PLATE ASSY - NEW HOLLAND			
ITEM	PART NUMBER	DESCRIPPTION	QTY	ITEM	PART NUMBER	DESCRIPTION	QTY
1	KIT-00606	ADAPTOR PLATE SUB	1				

Shelbourne Reynolds Engineering Limited

ASSY NUMBER:KIT-00603				ASSY DESCRIPTION: ADAPTOR PLATE - MF (DRON)			
ITEM	PART NUMBER	DESCRIPPTION	QTY	ITEM	PART NUMBER	DESCRIPTION	QTY
1	191090 01	FRAME WELD ASSY	1				
2	NUT-0190	PLAIN NUT	6				
3	HSS-0315	SET SCREW	2				
4	WSH-0024	PLAIN WASHER	2				
5	WSH-0070	SPRING WASHER	2				
6							
7	191160 02	SCRAPER	2				
8	BLT-4710	COACH BOLT	6				
9	NUT-0263	NYLOC NUT	6				
10	WSH-0012	PLAIN WASHER	6				
28	POP-0006	POP RIVET	4				
29	134024 05	IDENTIFICATION PLATE	1				

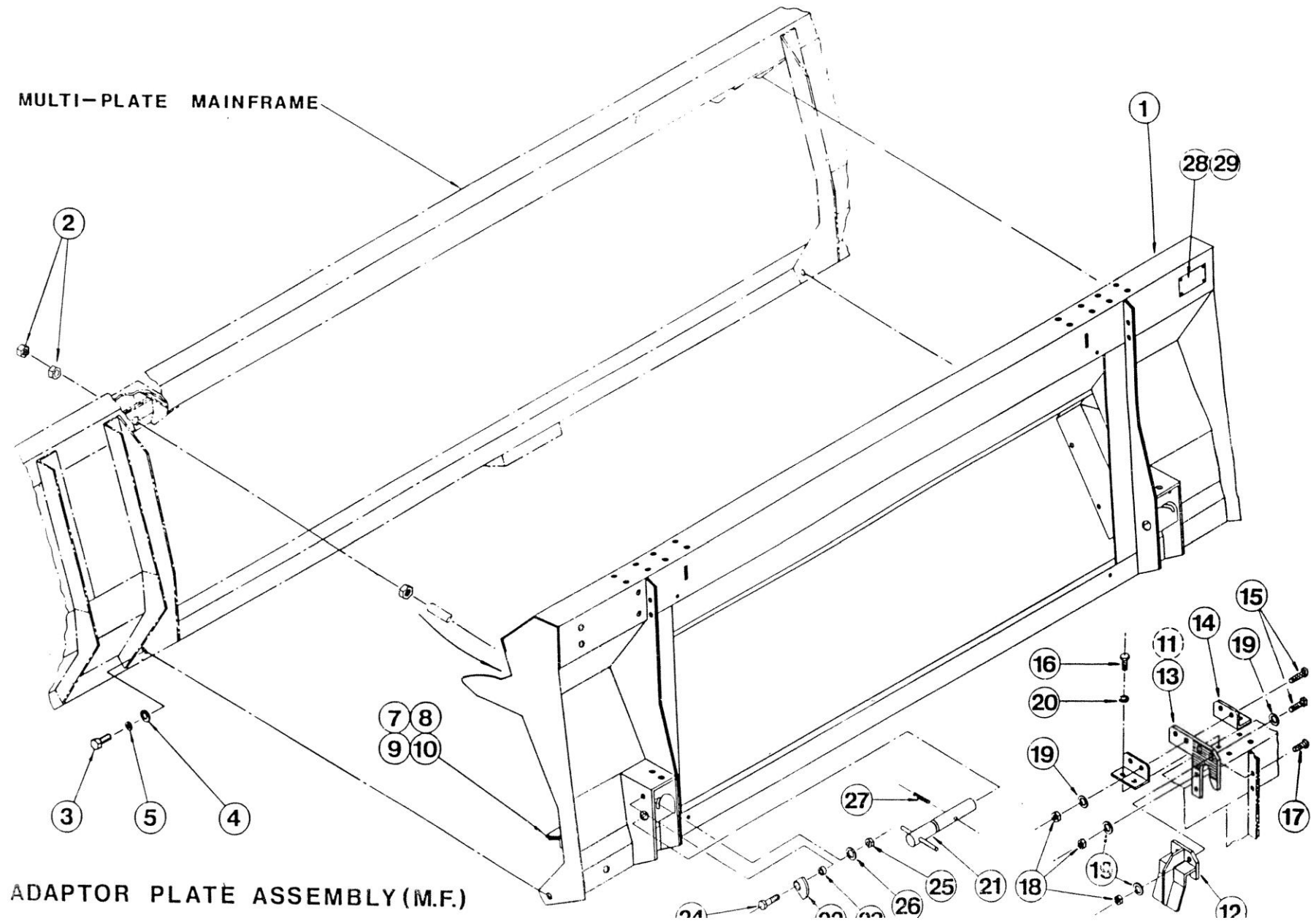


Shelbourne Reynolds Engineering Limited

ASSY NUMBER:196517 09K				ASSY DESCRIPTION: ADAPTOR PLATE ASSY - MF30-40 (DRON)			
ITEM	PART NUMBER	DESCRIPPTION	QTY	ITEM	PART NUMBER	DESCRIPTION	QTY
1	KIT-00603	ADAPTOR PLATE SUB	1				
2	KIT-00802	FIXING KIT	1				

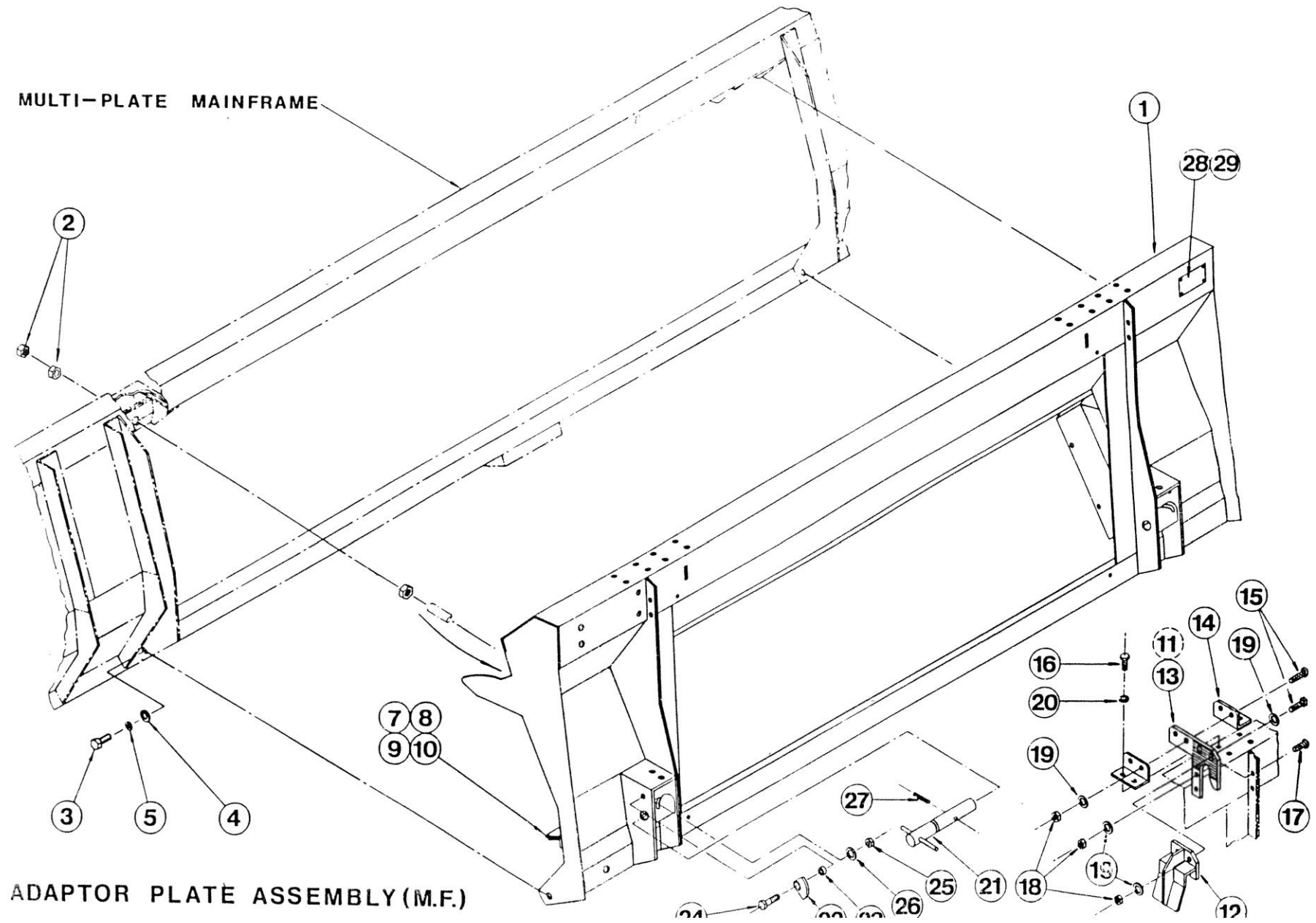
Shelbourne Reynolds Engineering Limited

ASSY NUMBER:KIT-00603				ASSY DESCRIPTION: ADAPTOR PLATE - MF (DRON)			
ITEM	PART NUMBER	DESCRIPPTION	QTY	ITEM	PART NUMBER	DESCRIPTION	QTY
1	191090 01	FRAME WELD ASSY	1				
2	NUT-0190	PLAIN NUT	6				
3	HSS-0315	SET SCREW	2				
4	WSH-0024	PLAIN WASHER	2				
5	WSH-0070	SPRING WASHER	2				
6							
7	191160 02	SCRAPER	2				
8	BLT-4710	COACH BOLT	6				
9	NUT-0263	NYLOC NUT	6				
10	WSH-0012	PLAIN WASHER	6				
28	POP-0006	POP RIVET	4				
29	134024 05	IDENTIFICATION PLATE	1				



Shelbourne Reynolds Engineering Limited

ASSY NUMBER:KIT-00802				ASSY DESCRIPTION: MF30-40 (DRON) FIXING KIT FROM 196517 09			
ITEM	PART NUMBER	DESCRIPPTION	QTY	ITEM	PART NUMBER	DESCRIPTION	QTY
11	191461 01	PICK UP PLATE ASSY	1				
12	191462 01	ADJUSTER PLATE ASSY	1				
13	191457 01	PICK UP PLATE LH	1				
14	191460 01	FIXING ANGLE	4				
15	HSS-0255	BOLT	6				
16	HSS-0238	BOLT	8				
17	SCW-0518	BOLT	4				
18	NUT-0269	NUT	10				
19	WSH-0018	WASHER	12				
20	WSH-0065	WASHER	8				
21	130088 01	LOCKING PIN	2				
22	130087 01	LOCKING CAM	2				
23	BSH-0103	BUSH	6				
24	4006-01	PIN	2				
25	NUT-0218	NUT	2				
26	WSH-0132	WASHER	2				
27	PIN-1935	ROLL PIN	2				



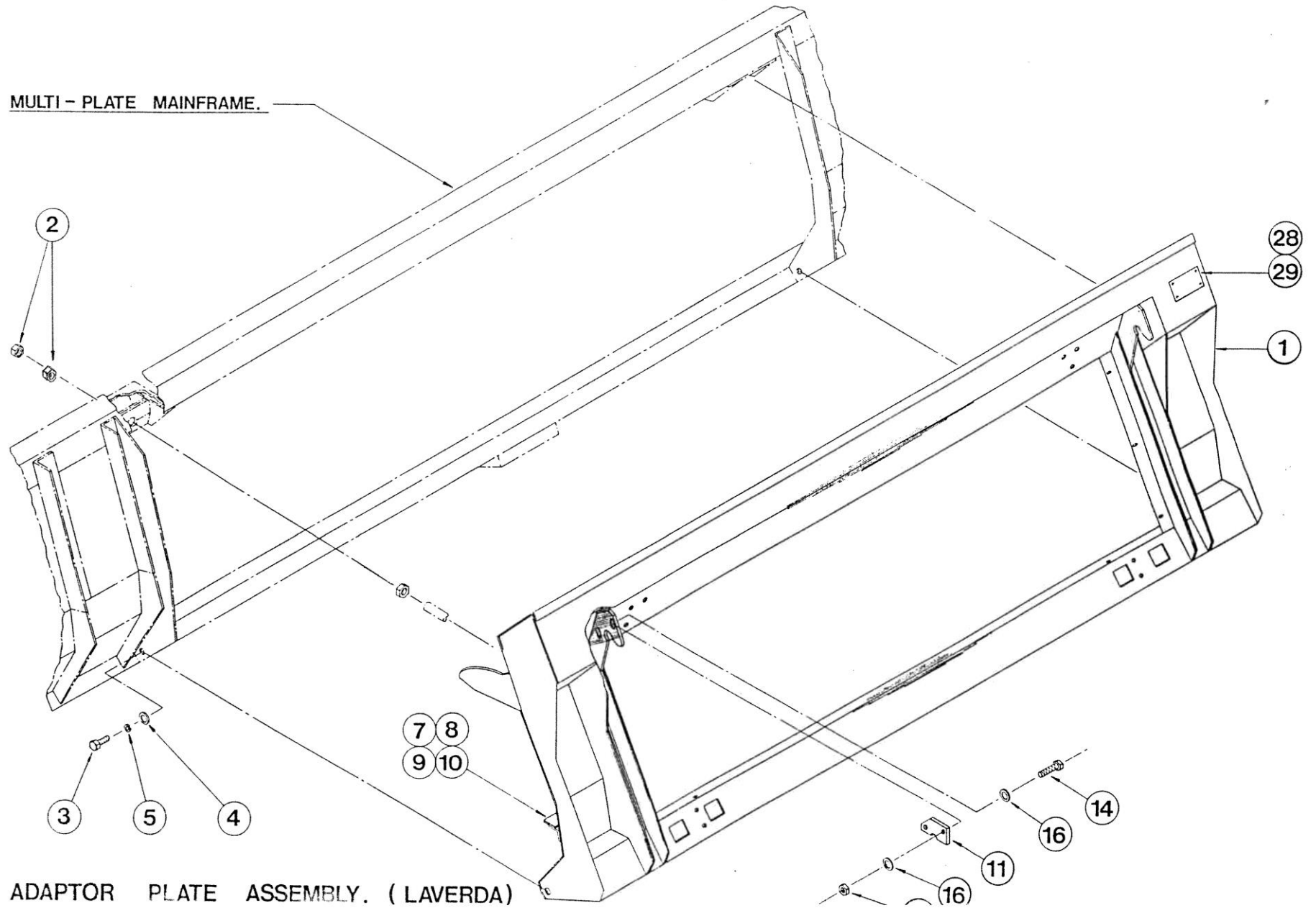
Shelbourne Reynolds Engineering Limited

ASSY NUMBER:196517 11K				ASSY DESCRIPTION: ADAPTOR PLATE ASSY - LAV(3800/3900)			
ITEM	PART NUMBER	DESCRIPPTION	QTY	ITEM	PART NUMBER	DESCRIPTION	QTY
1	KIT-00609	ADAPTOR PLATE SUB	1				

Shelbourne Reynolds Engineering Limited

ASSY NUMBER:KIT-00609				ASSY DESCRIPTION: ADAPTOR PLATE - LAVERDA			
ITEM	PART NUMBER	DESCRIPPTION	QTY	ITEM	PART NUMBER	DESCRIPTION	QTY
1	191473 01	FRAME WELD ASSY	1				
2	NUT-0190	PLAIN NUT	6				
3	HSS-0315	SET SCREW	2				
4	WSH-0024	PLAIN WASHER	2				
5	WSH-0070	SPRING WASHER	2				
6							
7	191492 01	SCRAPER	2				
8	BLT-4710	COACH BOLT	4				
9	NUT-0263	NYLOC NUT	4				
10	WSH-0012	PLAIN WASHER	4				
11	191491 01	ADJUSTER PLATE	1				
12							
13							
14	HSS-0250	SET SCREW	2				
15	NUT-0269	NYLOC NUT	2				
16	WSH-0018	PLAIN WASHER	4				
28	POP-0006	POP RIVET	4				
29	134024 05	IDENTIFICATION PLATE	1				

MULTI - PLATE MAINFRAME.

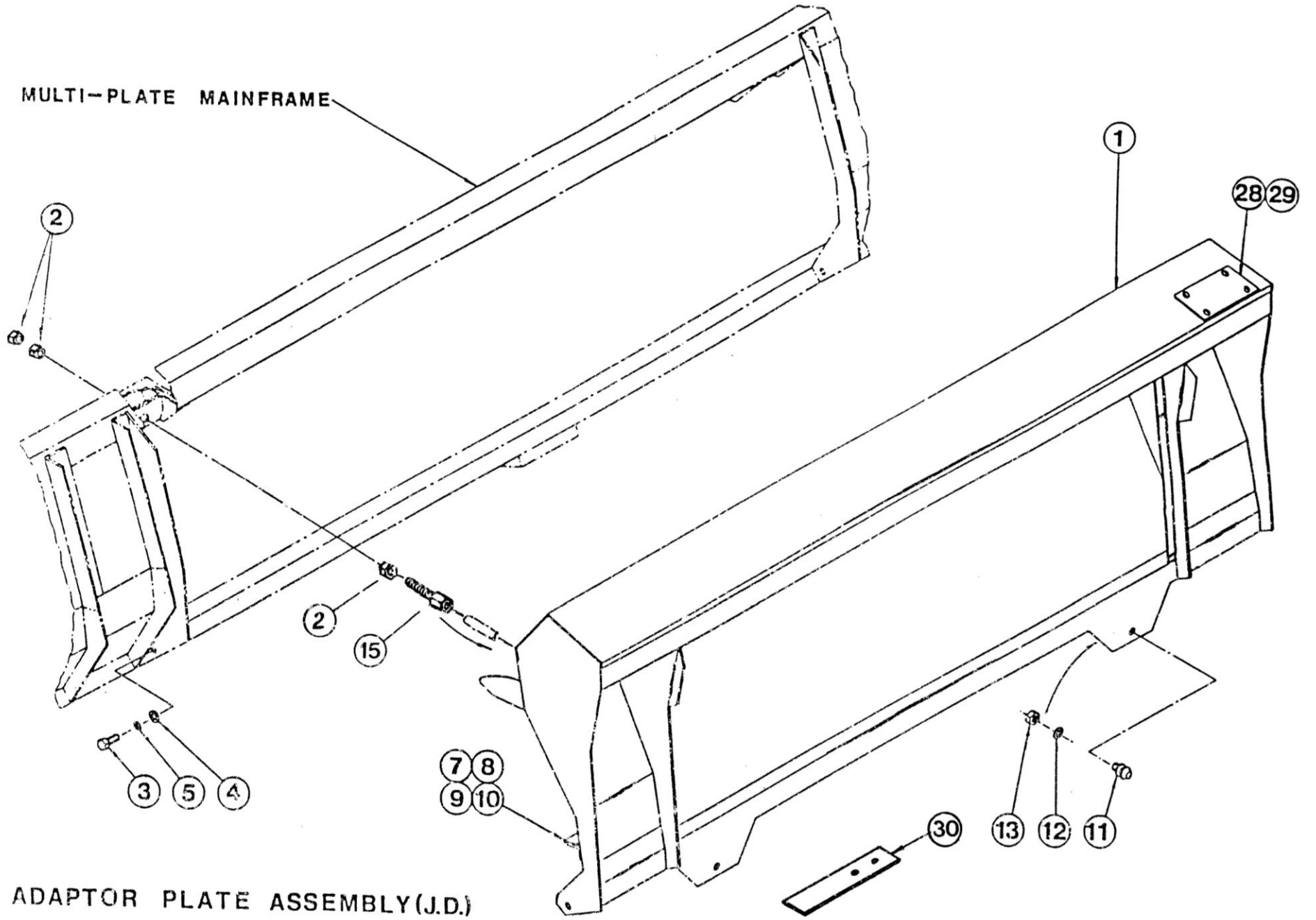


Shelbourne Reynolds Engineering Limited

ASSY NUMBER:196517 14K				ASSY DESCRIPTION: ADAPTOR PLATE ASSY - JD (AMERICAN)			
ITEM	PART NUMBER	DESCRIPPTION	QTY	ITEM	PART NUMBER	DESCRIPTION	QTY
1	KIT-00605	ADAPTOR PLATE SUB	1				
2	KIT-00804	LEVELLING KIT	1				

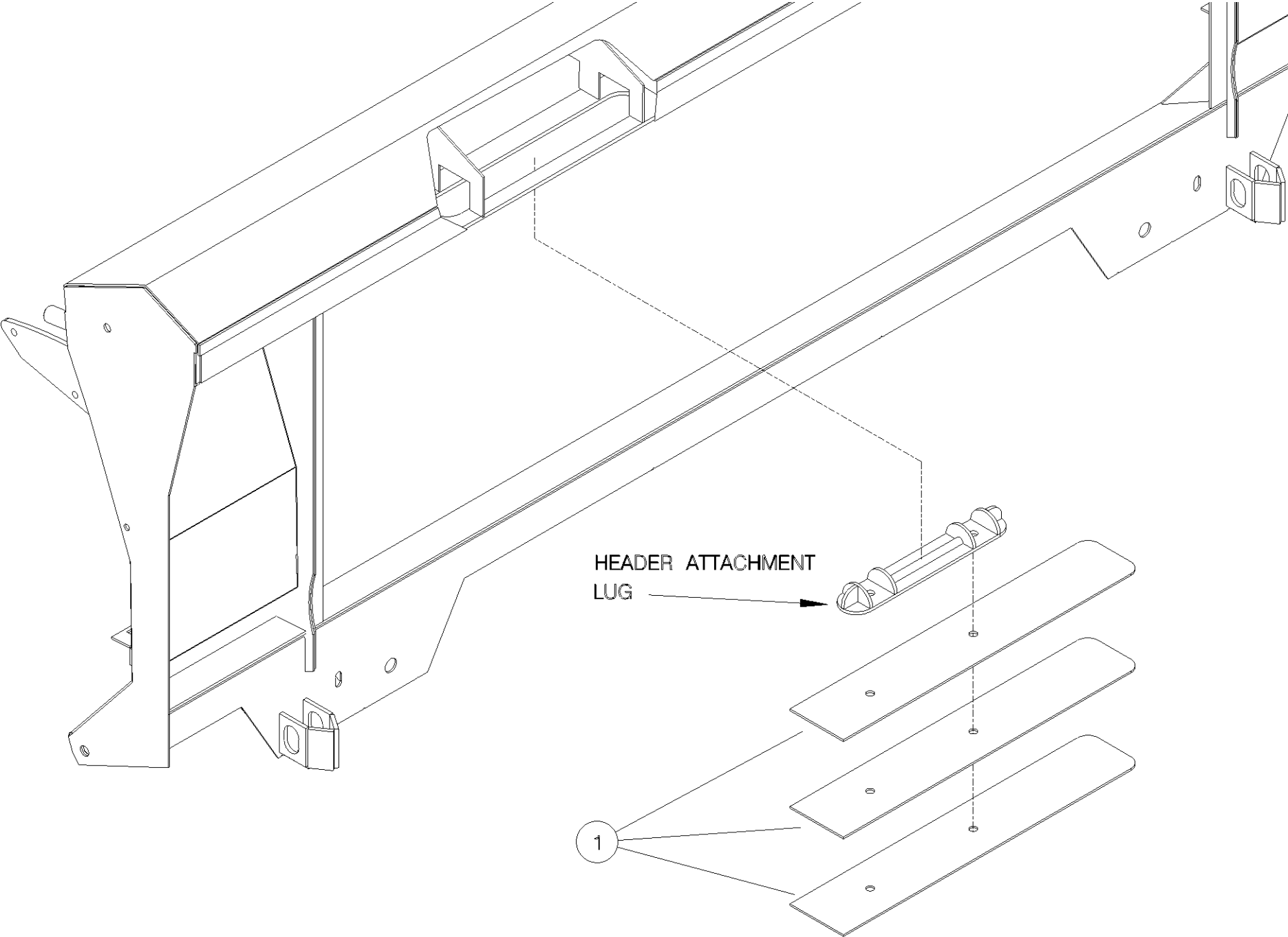
Shelbourne Reynolds Engineering Limited

ASSY NUMBER:KIT-00605				ASSY DESCRIPTION: ADAPTOR PLATE - JD (FROM 196517 05)			
ITEM	PART NUMBER	DESCRIPPTION	QTY	ITEM	PART NUMBER	DESCRIPTION	QTY
1	191216 01	FRAME WELD ASSY	1				
2	NUT-0190	PLAIN NUT	6				
3	HSS-0315	SET SCREW	2				
4	WSH-0024	PLAIN WASHER	2				
5	WSH-0070	SPRING WASHER	2				
6							
7	191223 02	SCRAPER	2				
8	BLT-4710	COACH BOLT	6				
9	NUT-0263	NYLOC NUT	6				
10	WSH-0012	PLAIN WASHER	6				
11							
12							
13							
14							
15							
28	POP-0006	POP RIVET	4				
29	134024 05	IDENTIFICATION PLATE PACKER PLATE	1				
30	197208 01	SCREW	2				
31	SCW-1580	PLAIN WASHER	6				
32	WSH-0009	NYLOC NUT	6				
33	NUT-0260		6				



Shelbourne Reynolds Engineering Limited

ASSY NUMBER: KIT-00804				ASSY DESCRIPTION: LEVELLING SPACERS (JD)			
ITEM	PART NO	DESCRIPTION	QTY	ITEM	PART NO	DESCRIPTION	QTY
1	191595 01	SPACER	3				

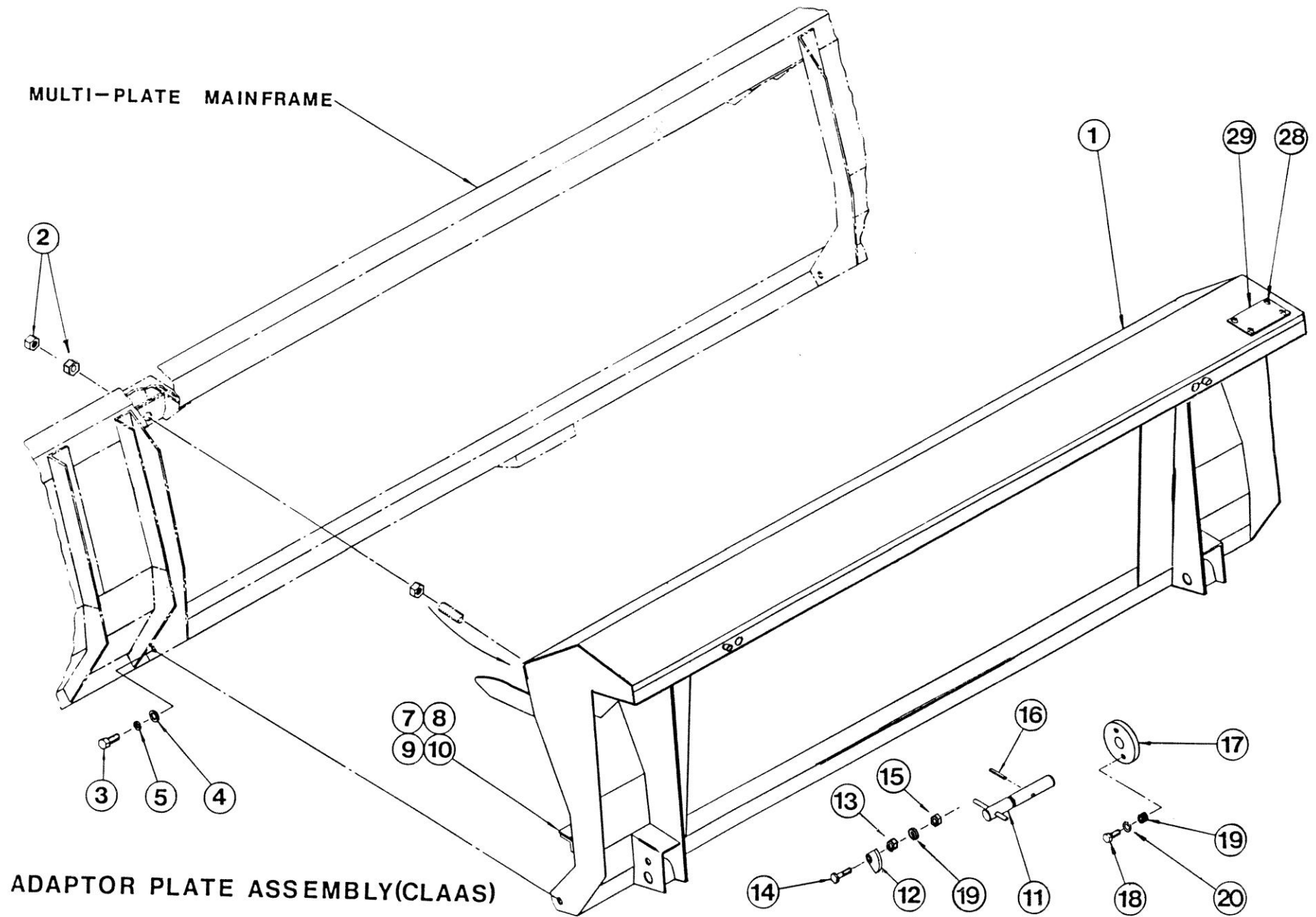


Shelbourne Reynolds Engineering Limited

ASSY NUMBER:196517 17K				ASSY DESCRIPTION: ADAPTOR PLATE ASSY - CLAAS (AUTO-CONT.)			
ITEM	PART NUMBER	DESCRIPPTION	QTY	ITEM	PART NUMBER	DESCRIPTION	QTY
1	KIT-00604	ADAPTOR PLATE SUB	1				
2	KIT-00808	FIXING KIT	1				

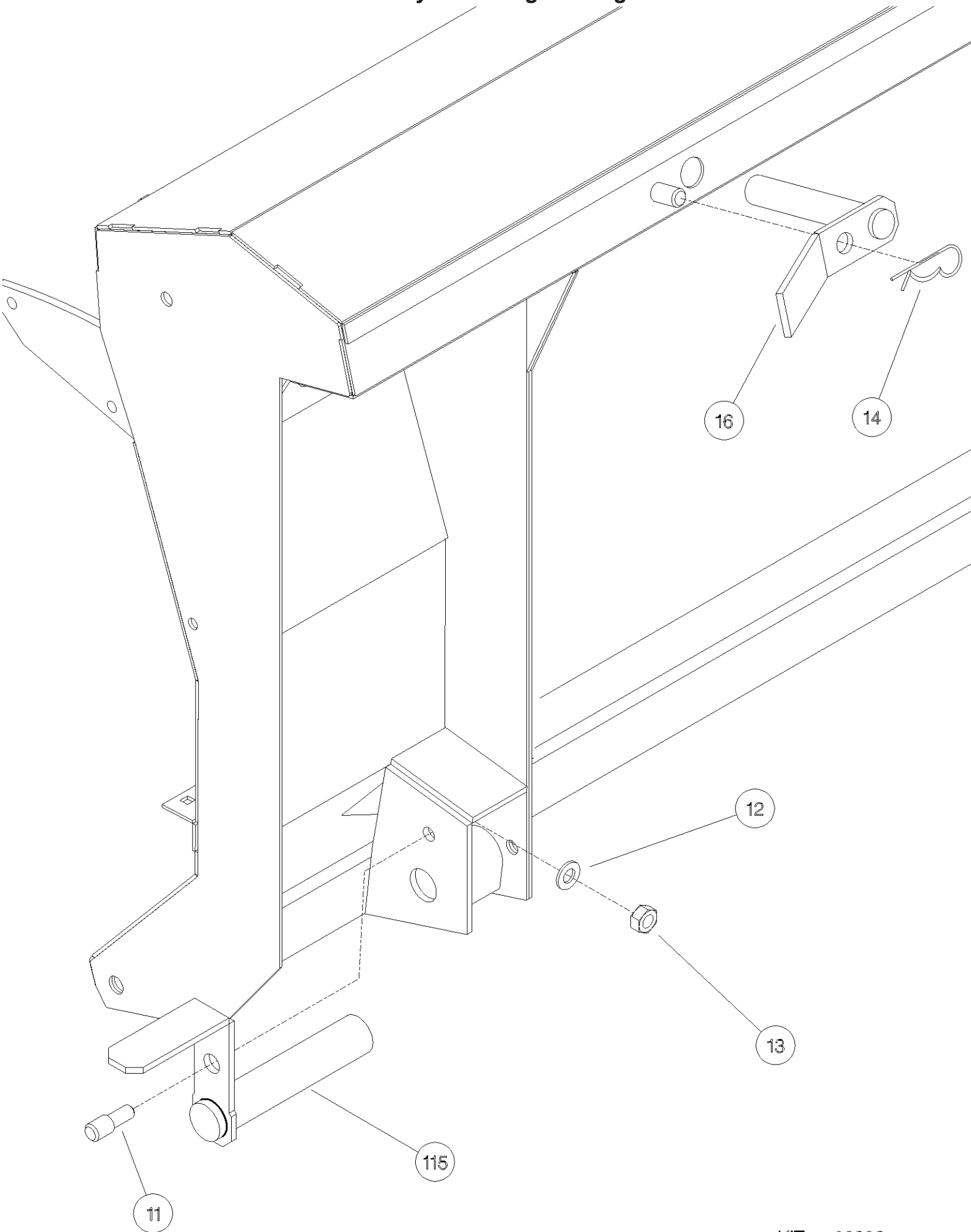
Shelbourne Reynolds Engineering Limited

ASSY NUMBER:KIT-00604				ASSY DESCRIPTION: ADAPTOR PLATE - CLAAS (FROM 196517 04)			
ITEM	PART NUMBER	DESCRIPPTION	QTY	ITEM	PART NUMBER	DESCRIPTION	QTY
1	191123 01	FRAME WELDED ASSY	1				
2	NUT-0190	NUT	6				
3	HSS-0315	SCREW	2				
4	WSH-0024	WASHER	2				
5	WSH-0070	SPRING WASHER	2				
6							
7	191134 02	SCRAPER	2				
8	BLT-4710	COACH BOLT	6				
9	NUT-0263	NYLOC NUT	6				
10	WSH-0012	FLAT WASHER	6				
11							
12							
13							
14							
15							
16							
17							
18							
19							
28	POP-0006	POP RIVET	4				
29	134024 05	IDENTIFICATION PLATE	1				



Shelbourne Reynolds Engineering Limited

ASSY NUMBER: KIT-00808				ASSY DESCRIPTION: ADAPT.PL.FIXING KIT			
ITEM	PART NO	DESCRIPTION	QTY	ITEM	PART NO	DESCRIPTION	QTY
1							
2							
3							
4							
5							
6							
7							
8							
9							
10							
11	192204 01	PIN	2				
12	WSH-0018	PLAIN WASHER	2				
13	NUT-0269	NUT	2				
14	CLP-00103	R CLIP	4				
15	192198 01	LOWER LOCKING PIN	2				
16	192201 01	TOP LOCKING PIN	2				
							2
							2
							2
							4
							2
							2

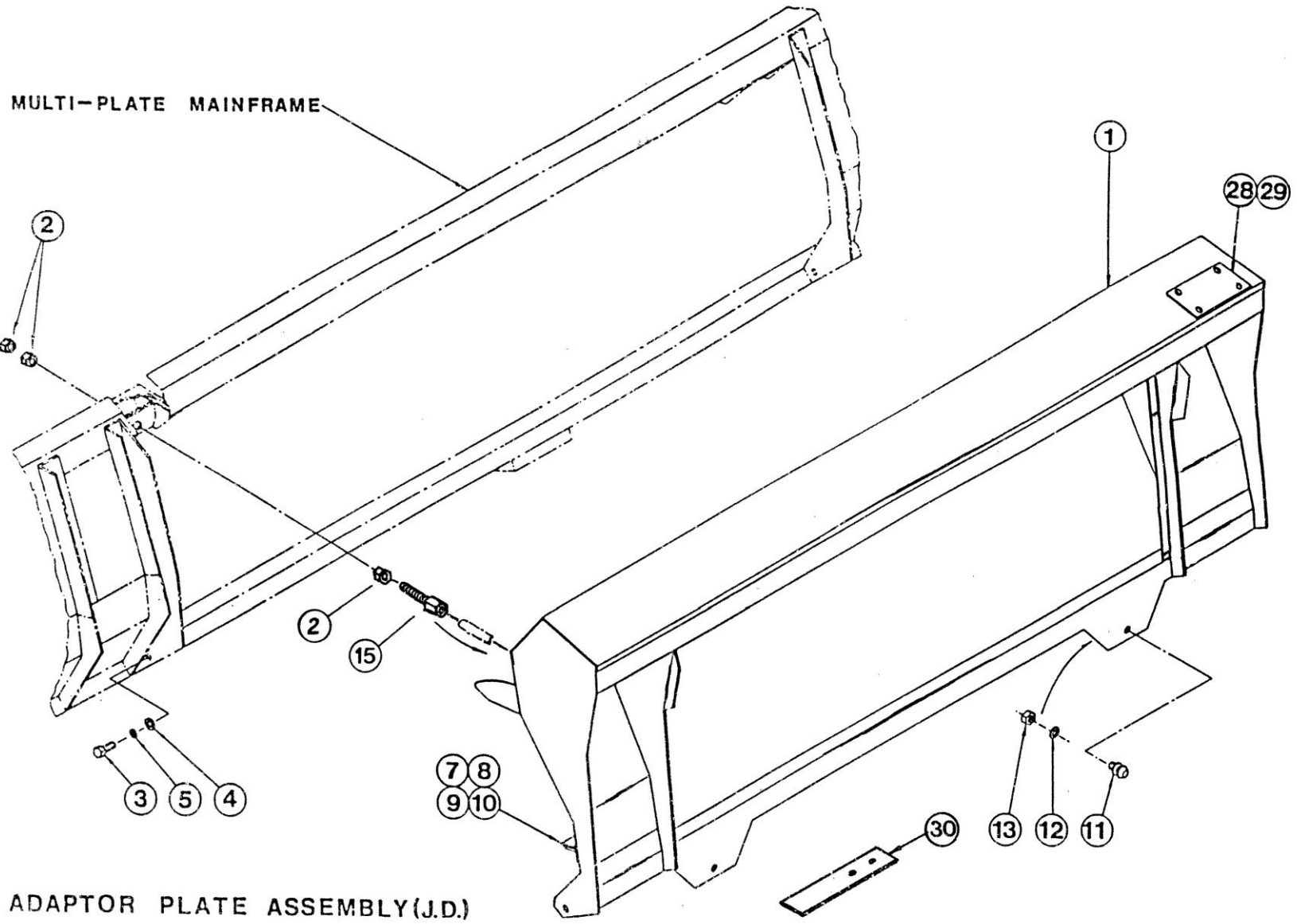


Shelbourne Reynolds Engineering Limited

ASSY NUMBER:196517 18K				ASSY DESCRIPTION: ADAPTOR PLATE ASSY - JD (Z SERIES)			
ITEM	PART NUMBER	DESCRIPPTION	QTY	ITEM	PART NUMBER	DESCRIPTION	QTY
1	KIT-00612	ADAPTOR PLATE SUB	1				

Shelbourne Reynolds Engineering Limited

ASSY NUMBER:KIT-00612				ASSY DESCRIPTION: ADAPTOR PLATE JD-Z SERIES (FROM 196517 18K)			
ITEM	PART NUMBER	DESCRIPPTION	QTY	ITEM	PART NUMBER	DESCRIPTION	QTY
1	191216 01	FRAME WELD ASSY	1				
2	NUT-0190	PLAIN NUT	6				
3	HSS-0315	SET SCREW	2				
4	WSH-0024	PLAIN WASHER	2				
5	WSH-0070	SPRING WASHER	2				
6							
7	191223 02	SCRAPER	2				
8	BLT-4710	COACH BOLT	6				
9	NUT-0263	NYLOC NUT	6				
10	WSH-0012	PLAIN WASHER	6				
11							
12							
13							
14							
15	192925 01	EXTENSION BOLT WELD ASSY	2				
28	POP-0006	POP RIVET (UPTO 2009)	4				
29	134024 05	IDENTIFICATION PLATE (UPTO 2009)	1				
30	197208 01	PACKER PLATE	6				
31	SCW-1580	SCREW	6				
32	WSH-0009	PLAIN WASHER	6				
33	NUT-0260	NYLOC NUT	6				



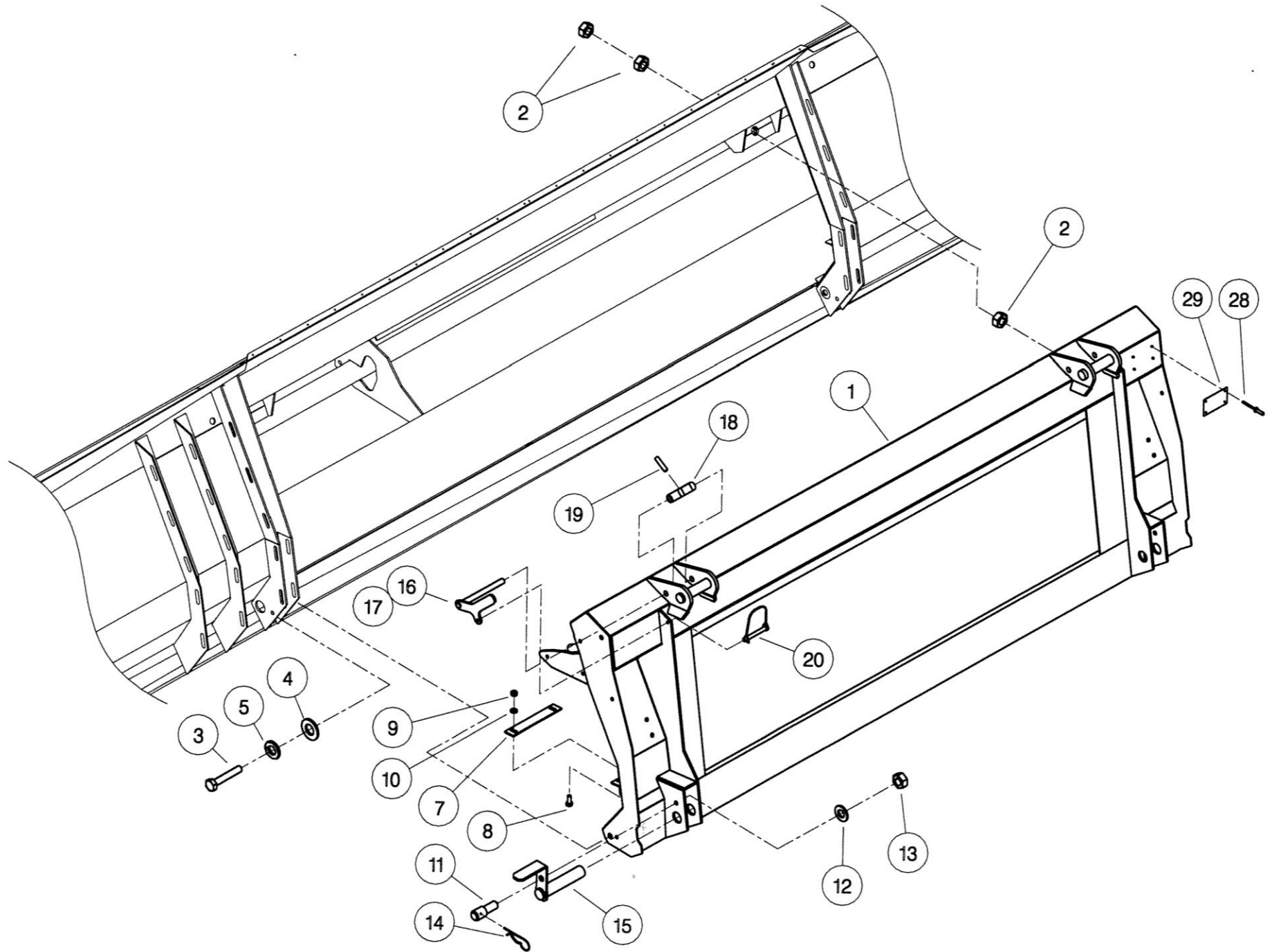
Shelbourne Reynolds Engineering Limited

ASSY NUMBER:196517 19K				ASSY DESCRIPTION: ADAPTOR PLATE ASSY - CLAAS (LEXION)			
ITEM	PART NUMBER	DESCRIPPTION	QTY	ITEM	PART NUMBER	DESCRIPTION	QTY
1	KIT-00613	ADAPTOR PLATE SUB	1				

Shelbourne Reynolds Engineering Limited

ASSY NUMBER:KIT-00613				ASSY DESCRIPTION: ADAPTOR PLATE CLAAS (LEXION)			
ITEM	PART NUMBER	DESCRIPPTION	QTY	ITEM	PART NUMBER	DESCRIPTION	QTY
1	193151 01	FRAME WELD ASSY	1				
2	NUT-0190	PLAIN NUT	6				
3	HSS-0315	SET SCREW	2				
4	WSH-0024	PLAIN WASHER	2				
5	WSH-0070	SPRING WASHER	2				
6							
7	193152 02	SCRAPER	2				
8	BLT-4710	COACH BOLT	4				
9	NUT-0263	NYLOC NUT	4				
10	WSH-0012	PLAIN WASHER	4				
11	192204 01	PIN	2				
12	WSH-0018	PLAIN WASHER	2				
13	NUT-0269	NYLOC NUT	2				
14	RCL-0015	R CLIP	2				
15	192198 04	LOWER LOCKING PIN	2				
16	193153 01	TOP LOCKING LEVER LH	1				
17	193153 02	TOP LOCKING LEVER RH	1				
18	193154 01	TOP LOCK	2				
19	PIN-1921	ROLL PIN	2				
20	PIN-1720	SPRING "D" PIN	2				
21							
22							
23							
24							
25							
26							
27							
28	POP-0006	POP RIVET (UPTO 2009)	4				
29	134024 05	IDENTIFICATION PLATE (UPTO 2009)	1				

Shelbourne Reynolds Engineering Limited



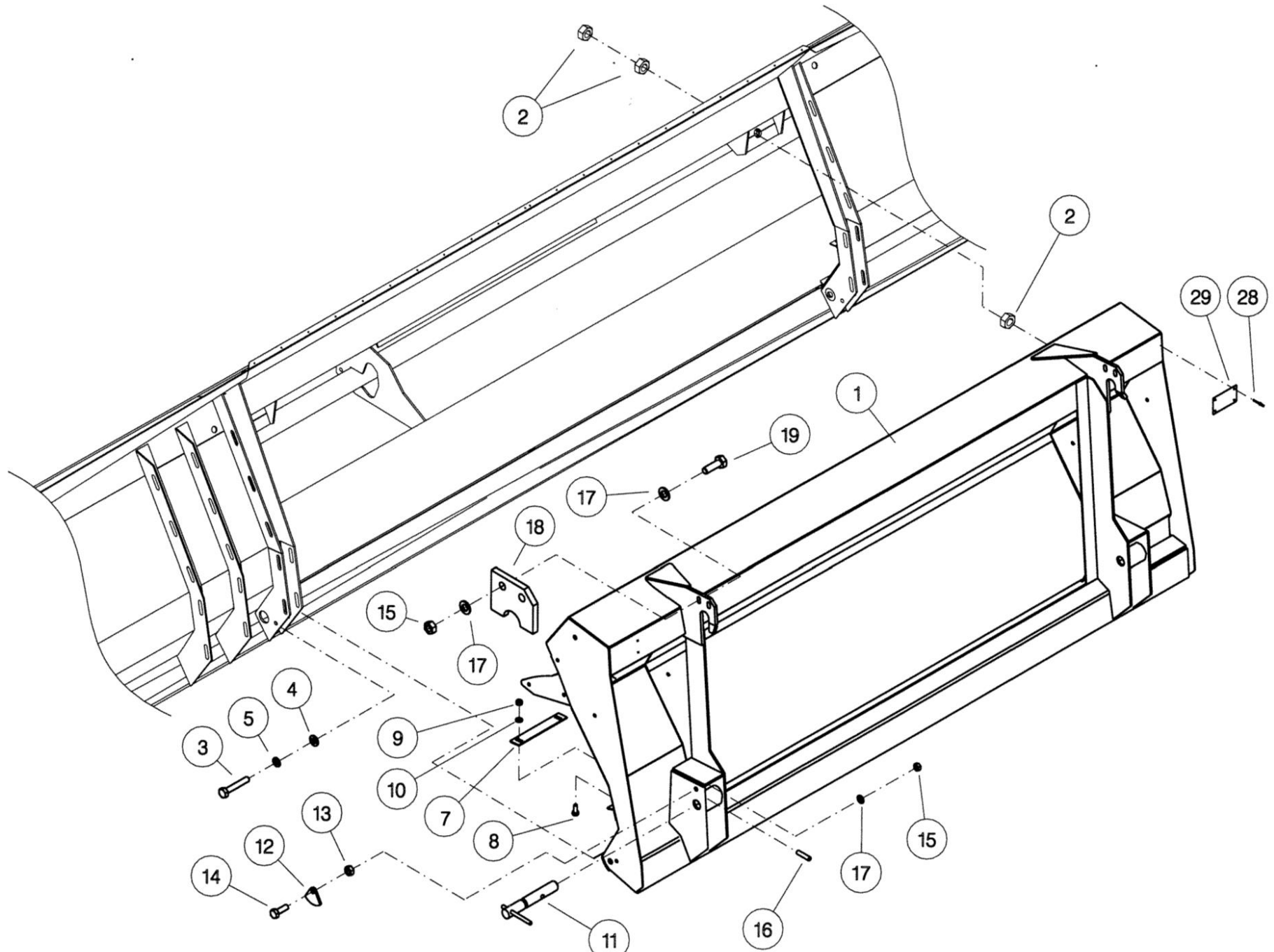
Shelbourne Reynolds Engineering Limited

ASSY NUMBER:196517 20K				ASSY DESCRIPTION: ADAPTOR PLATE ASSY - MF30-40 (AUTO,1996)			
ITEM	PART NUMBER	DESCRIPPTION	QTY	ITEM	PART NUMBER	DESCRIPTION	QTY
1	KIT-00614	ADAPTOR PLATE SUB	1				

Shelbourne Reynolds Engineering Limited

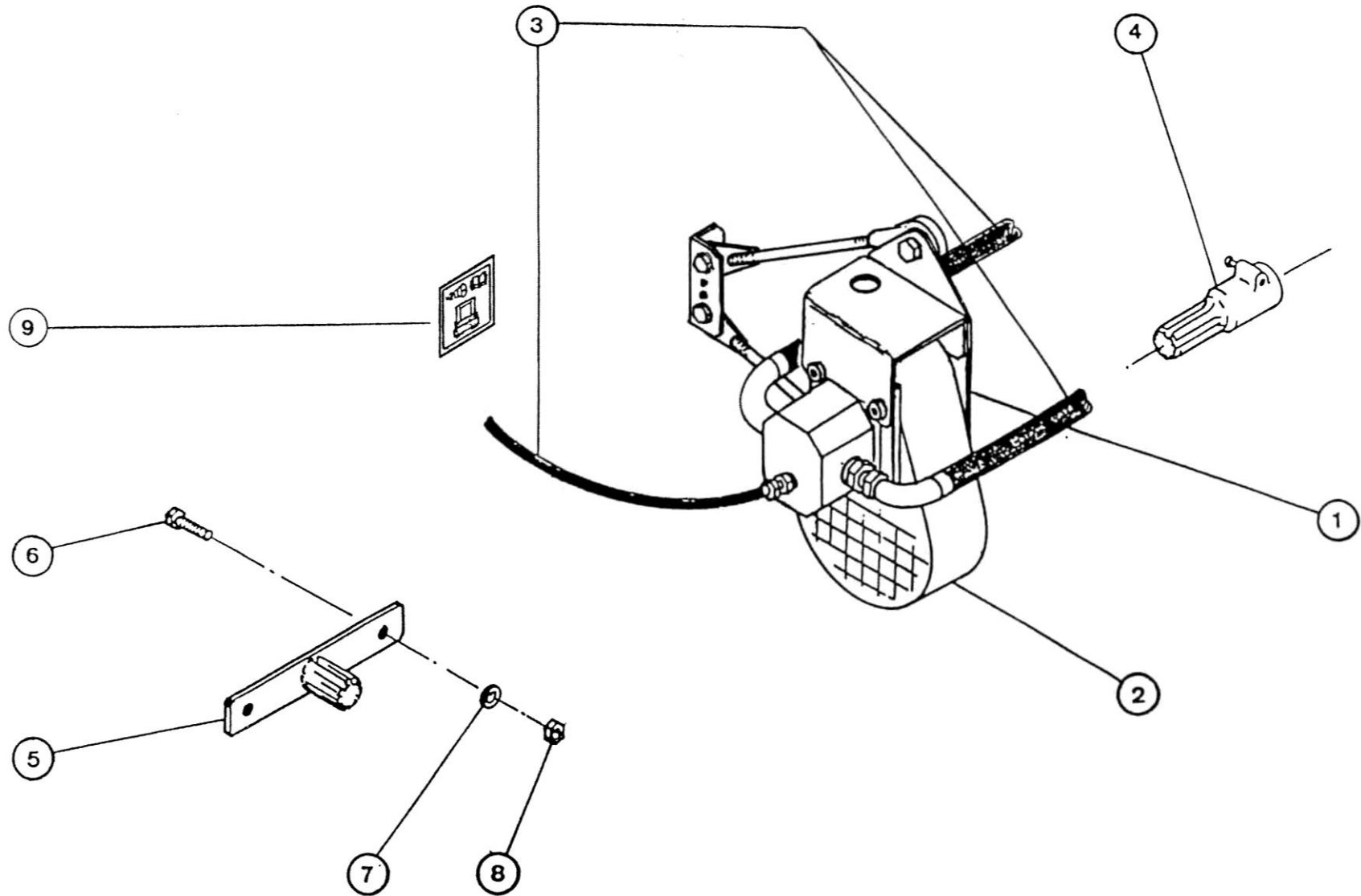
ASSY NUMBER:KIT-00614				ASSY DESCRIPTION: ADAPTOR PLATE MF-30-40 (AUTO,1996			
ITEM	PART NUMBER	DESCRIPPTION	QTY	ITEM	PART NUMBER	DESCRIPTION	QTY
1	193174 01	FRAME WELD ASSY	1				
2	NUT-0190	PLAIN NUT	6				
3	HSS-0315	SET SCREW	2				
4	WSH-0024	PLAIN WASHER	2				
5	WSH-0070	SPRING WASHER	2				
6							
7	193185 02	SCRAPER	2				
8	BLT-4710	COACH BOLT	6				
9	NUT-0263	NYLOC NUT	6				
10	WSH-0012	PLAIN WASHER	6				
11	130088 01	LOCKING HANDLE	2				
12	210125 01	LOCKING CAM	2				
13	NUT-0170	PLAIN NUT	2				
14	HSS-0250	SET SCREW	2				
15	NUT-0269	NYLOC NUT	4				
16	PIN-1935	ROLL PIN	2				
17	WSH-0018	PLAIN WASHER	6				
18	191459 01	ADJUSTER PLATE	1				
19	BLTA12290	BOLT	2				
20							
21							
22							
23							
24							
25							
26							
27							
28	POP-0006	POP RIVET	4				
29	134024 05	IDENTIFICATION PLATE	1				

Shelbourne Reynolds Engineering Limited



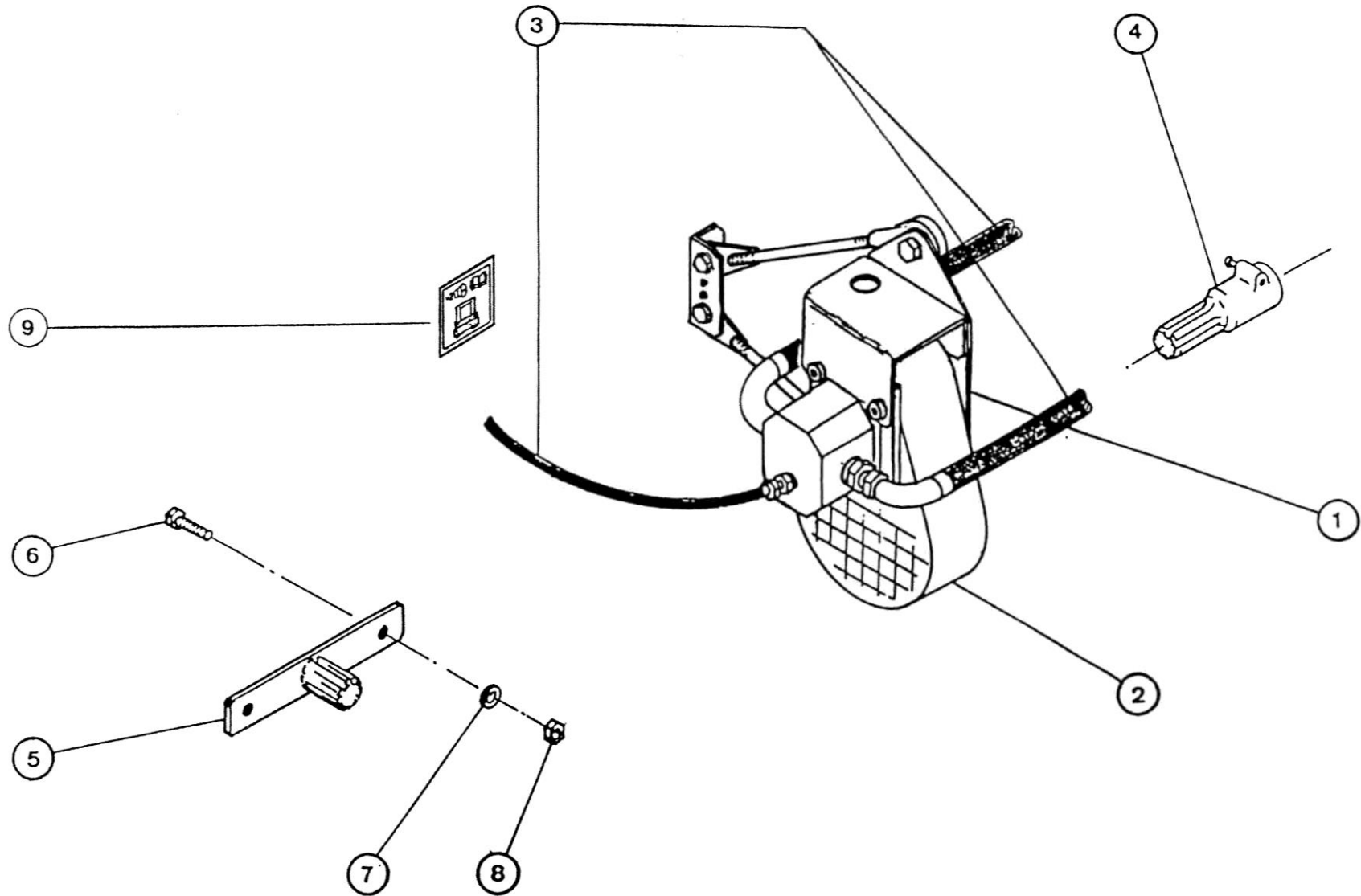
Shelbourne Reynolds Engineering Limited

ASSY NUMBER:209901 005				ASSY DESCRIPTION: M/P P.U.H DRIVE KIT-IHC (AXIAL FLOW)			
ITEM	PART NUMBER	DESCRIPPTION	QTY	ITEM	PART NUMBER	DESCRIPTION	QTY
1	KIT-00206	DRIVE SUPP. BRKT. KIT.	1				
2	KIT-02403	HYD.PUMP & GEARBOX ASSY (INCLUDING HYD. FITTINGS)	1				
3	KIT-02523	HYD.HOSE KIT	1				
4	200199 01	DRIVE COUPLING	1				
5	200212 01	GEARBOX SUPPORT W.A.	2				
6	BLT-2316	BOLT	2				
7	WSH-0024	WASHER	2				
8	NUT-0271	NUT	1				
9	200273 01	TRANSFER - DRIVE LINE	1				



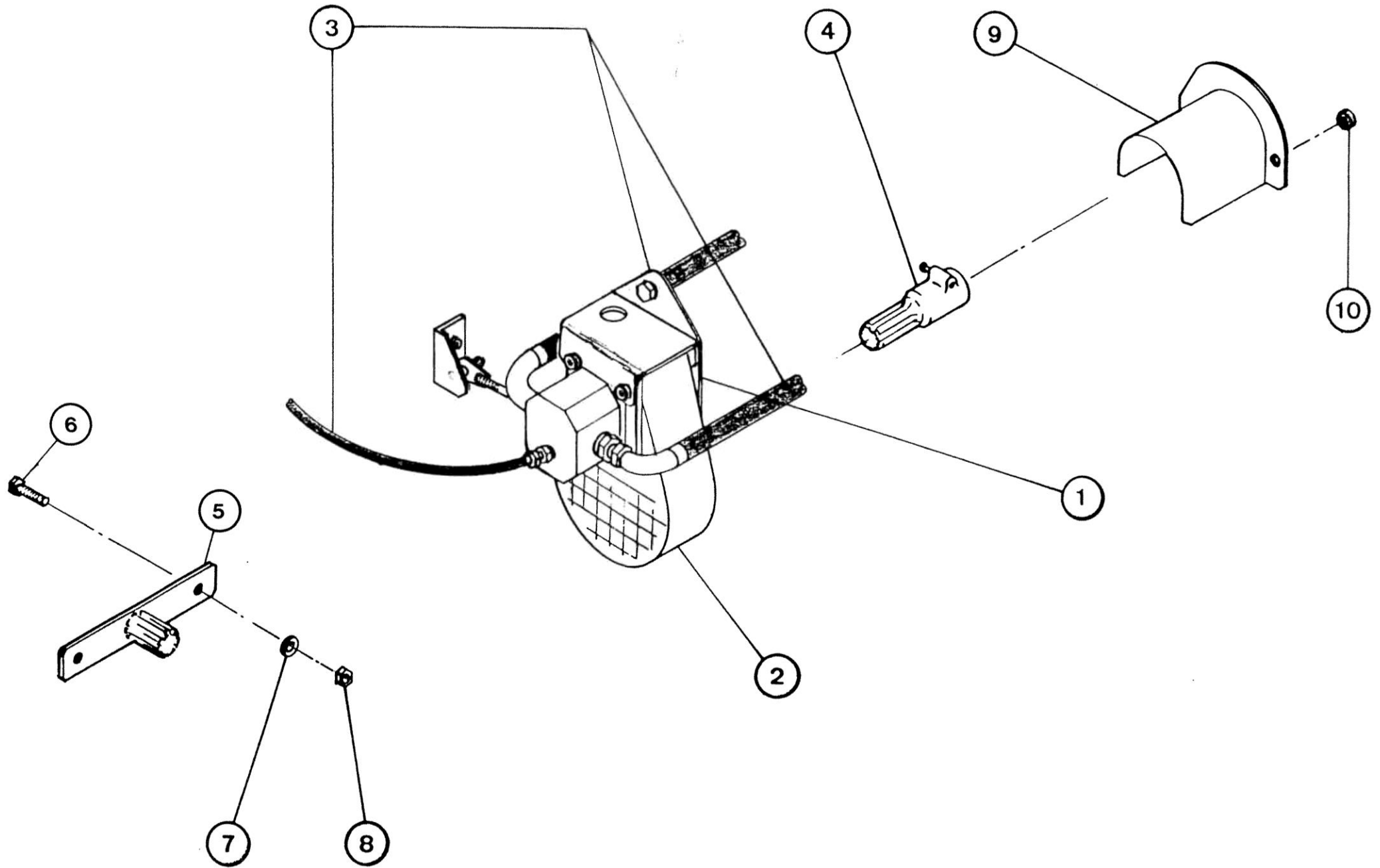
Shelbourne Reynolds Engineering Limited

ASSY NUMBER:209901 006				ASSY DESCRIPTION: M/P P.U.H DRIVE KIT-IHC (FIELD TRACK)			
ITEM	PART NUMBER	DESCRIPPTION	QTY	ITEM	PART NUMBER	DESCRIPTION	QTY
1	KIT-00218	DRIVE SUPP. BRKT. KIT.	1				
2	KIT-02403	HYD.PUMP & GEARBOX ASSY (INCLUDING HYD. FITTINGS)	1				
3	KIT-02523	HYD.HOSE KIT	1				
4	200199 01	DRIVE COUPLING	1				
5	200212 01	GEARBOX SUPPORT W.A.	1				
6	BLT-2316	BOLT	2				
7	WSH-0024	WASHER	2				
8	NUT-0271	NUT	2				
9	200273 01	TRANSFER - DRIVE LINE	1				



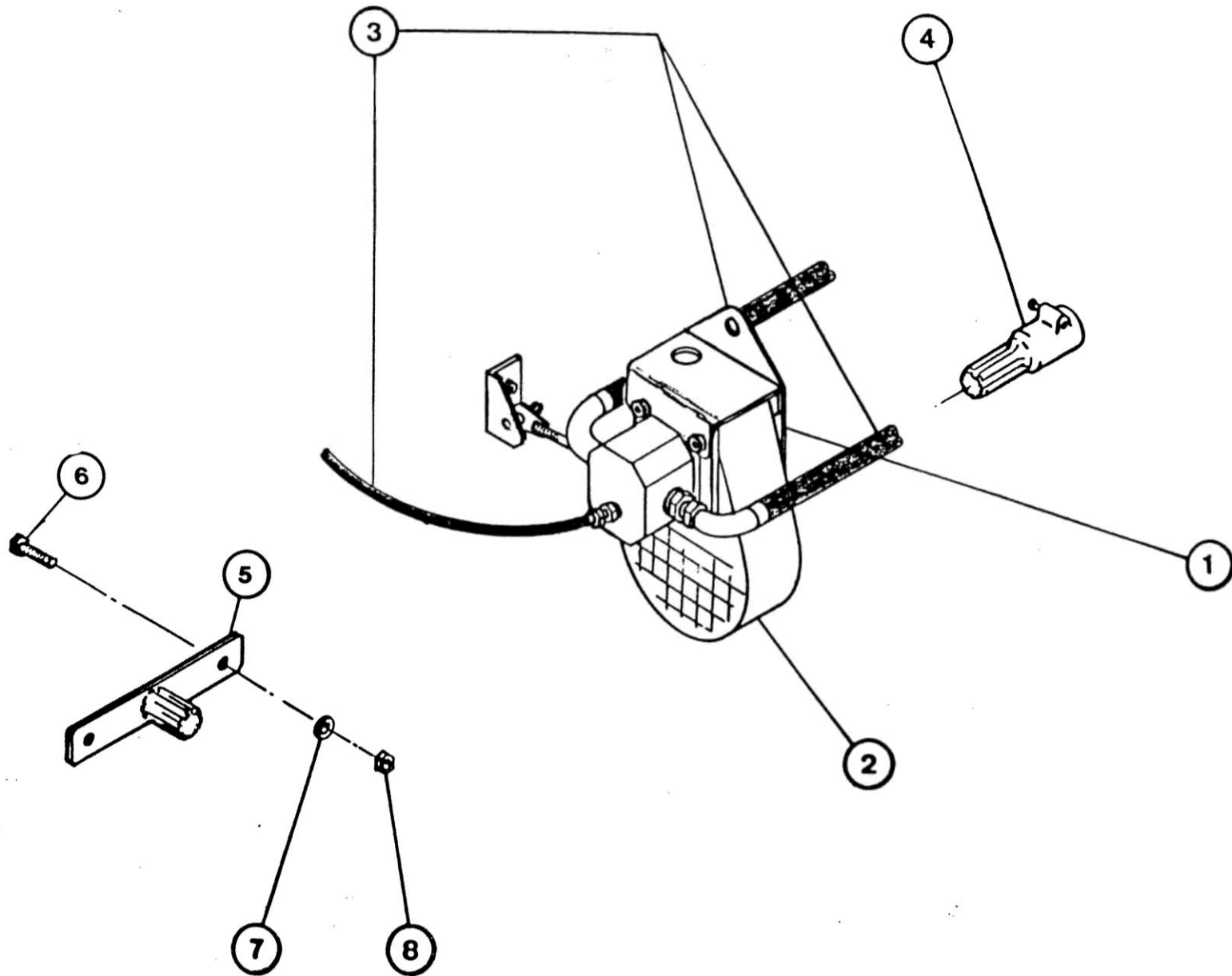
Shelbourne Reynolds Engineering Limited

ASSY NUMBER:209901 015				ASSY DESCRIPTION: M/P P.U.H DRIVE KIT(CLASS 2 SERIES)			
ITEM	PART NUMBER	DESCRIPPTION	QTY	ITEM	PART NUMBER	DESCRIPTION	QTY
1	KIT-00207	DRIVE SUPP. BRKT. KIT.	1				
2	KIT-02404	HYD.PUMP & GEARBOX ASSY (INCLUDING HYD. FITTINGS)	1				
3	KIT-02525	HYD.HOSE KIT	1				
4	200199 01	DRIVE COUPLING	1				
5	200212 01	GEARBOX SUPPORT W.A.	1				
6	BLT-2316	BOLT	2				
7	WSH-0024	WASHER	2				
8	NUT-0271	NUT	2				
9	200211 01	GUARD	1				
10	GRM-00025	GROMMET	1				



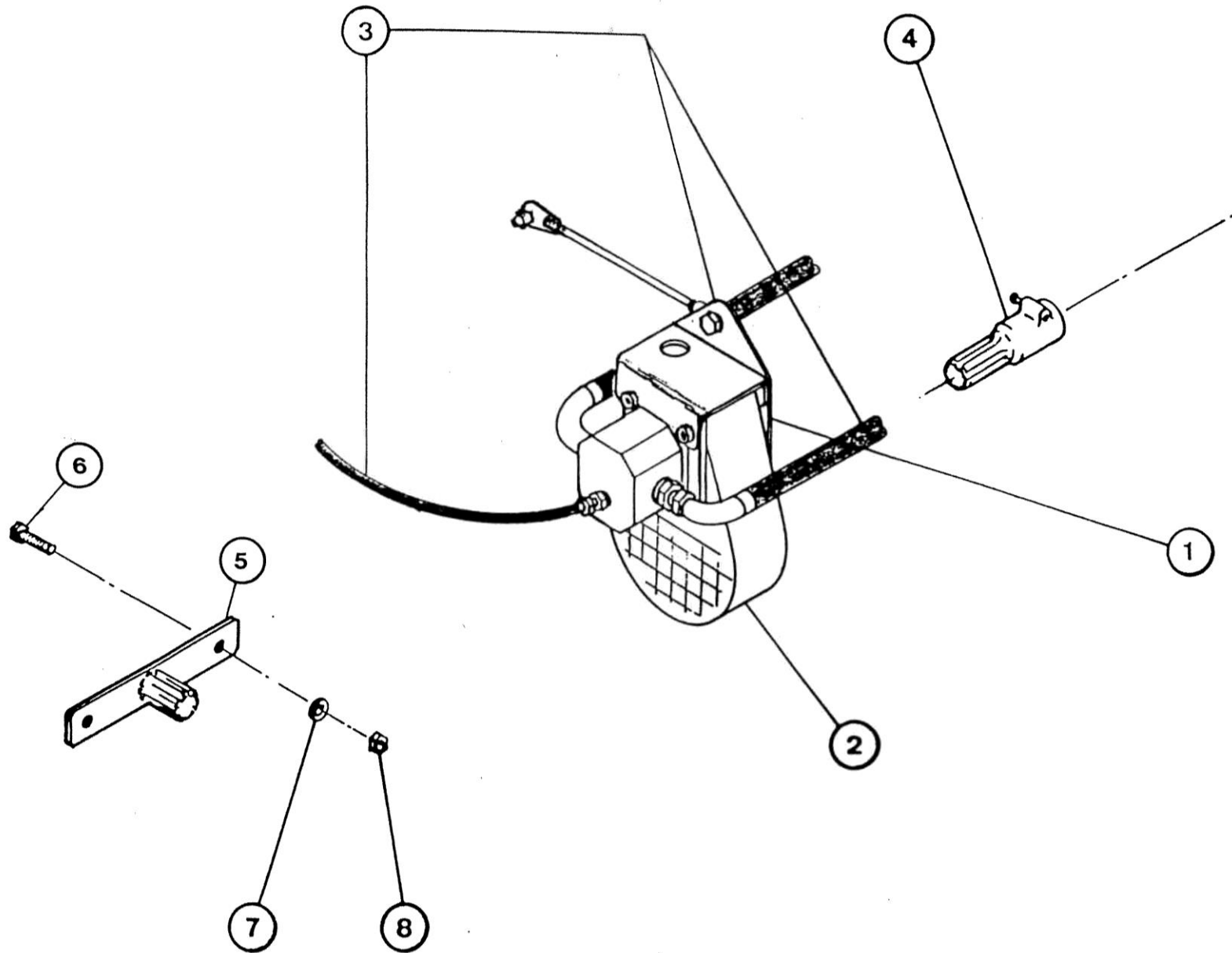
Shelbourne Reynolds Engineering Limited

ASSY NUMBER:209901 016				ASSY DESCRIPTION: M/P P.U.H DRIVE KIT(CLAAS LEXION)			
ITEM	PART NUMBER	DESCRIPPTION	QTY	ITEM	PART NUMBER	DESCRIPTION	QTY
1	KIT-00207	DRIVE SUPP. BRKT. KIT.	1				
2	KIT-02404	HYD.PUMP & GEARBOX ASSY (INCLUDING HYD. FITTINGS)	1				
3	KIT-02525	HYD.HOSE KIT	1				
4	200221 01	DRIVE COUPLING	1				
5	200212 01	GEARBOX SUPPORT	1				
6	BLT-2316	BOLT	2				
7	WSH-0024	WASHER	2				
8	NUT-0271	NUT	2				



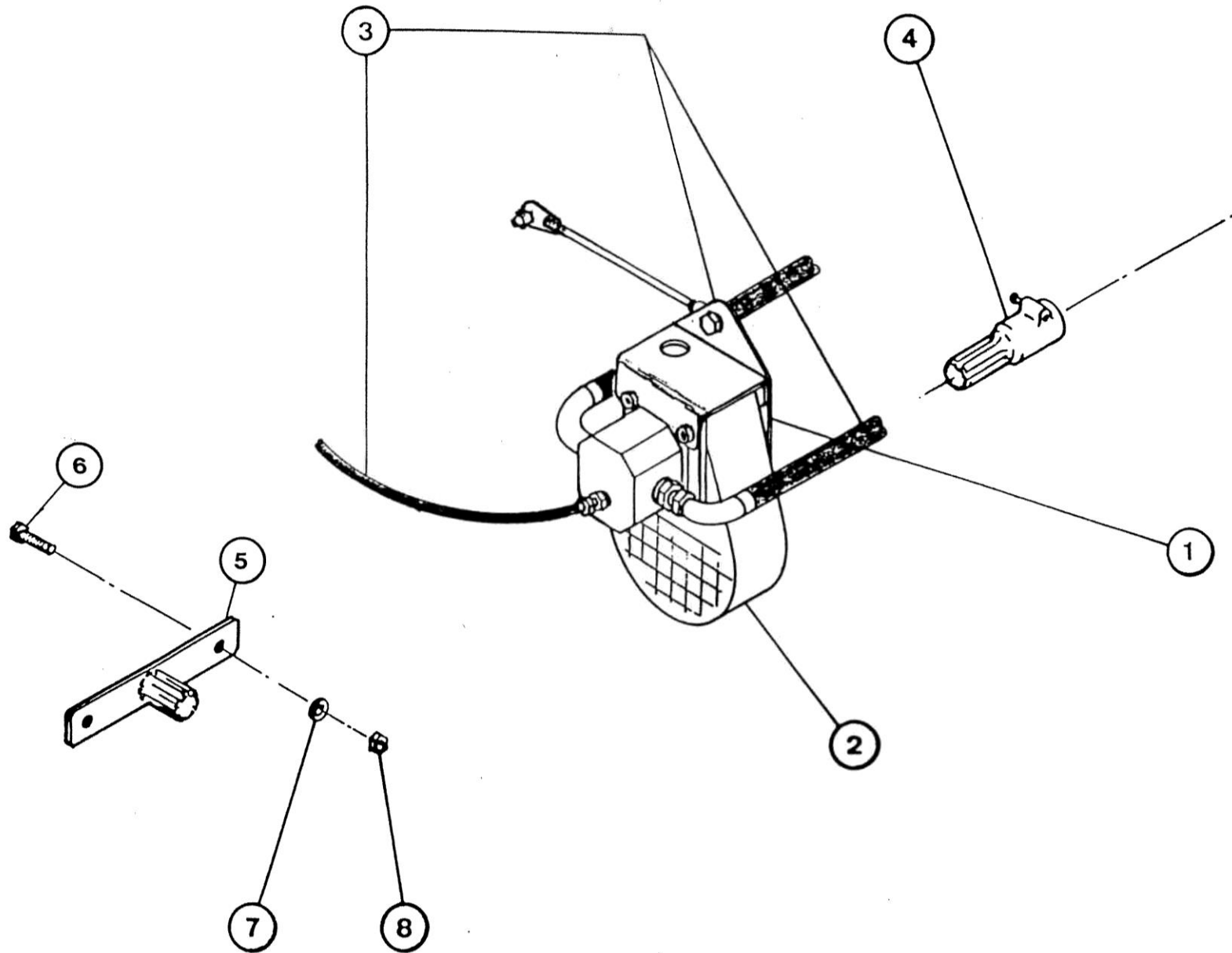
Shelbourne Reynolds Engineering Limited

ASSY NUMBER:209901 025				ASSY DESCRIPTION: M/P P.U.H DRIVE KIT (NH-TX66, TX68 PTO)			
ITEM	PART NUMBER	DESCRIPPTION	QTY	ITEM	PART NUMBER	DESCRIPTION	QTY
1	KIT-00208	DRIVE SUPP.BRKT. KIT	1				
2	KIT-02403	HYD.PUMP & GEARBOX ASSY (INCLUDING HYD. FITTINGS)	1				
3	KIT-02526	HYD.HOSE KIT	1				
4	200209 01	DRIVE COUPLING	1				
5	200212 01	GEARBOX SUPPORT	1				
6	BLT-2316	BOLT	2				
7	WSH-0024	WASHER	2				
8	NUT-0271	NUT	2				



Shelbourne Reynolds Engineering Limited

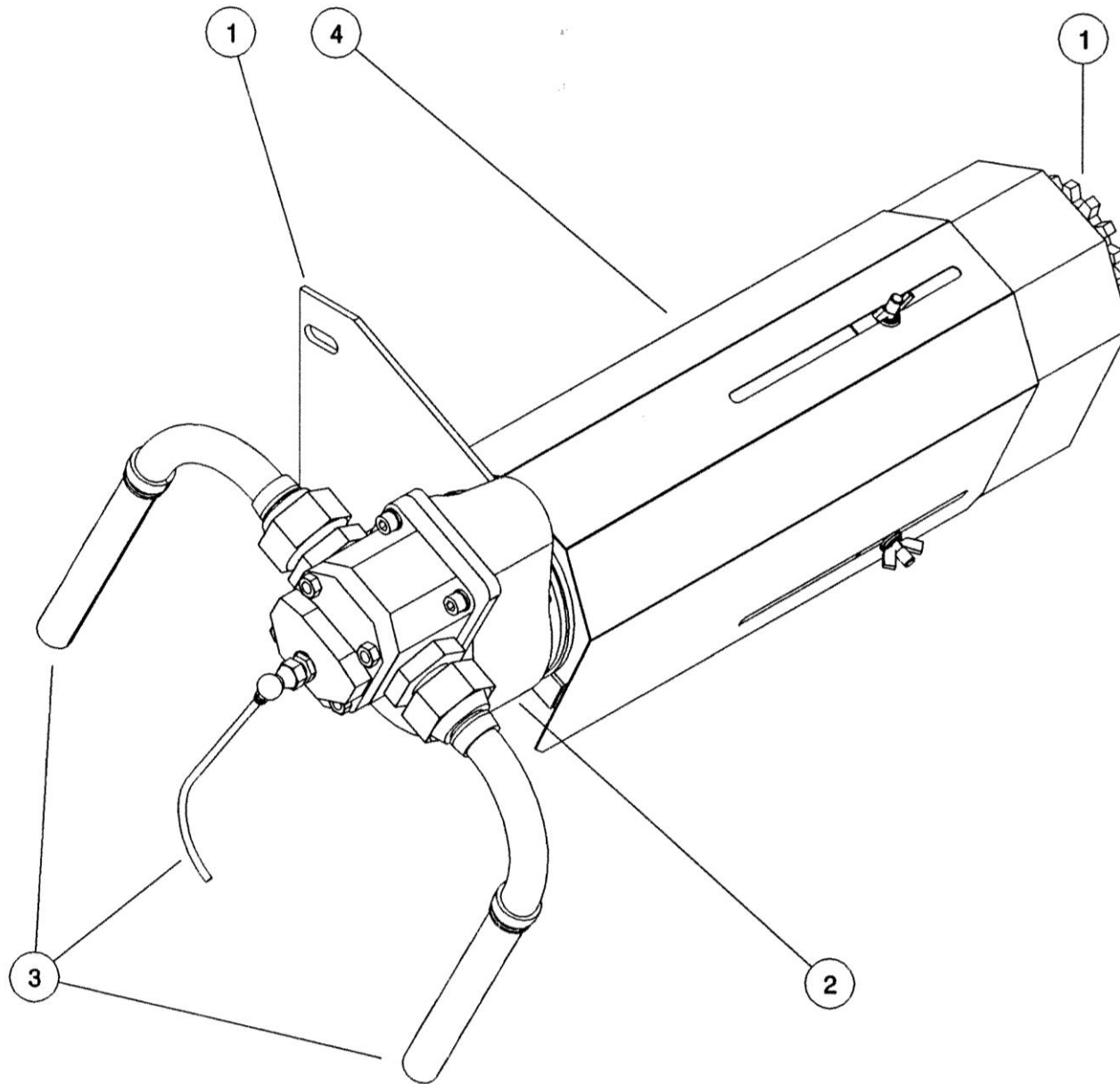
ASSY NUMBER:209901 026				ASSY DESCRIPTION: M/P P.U.H DRIVE KIT (NH-TX36 & TF46)			
ITEM	PART NUMBER	DESCRIPPTION	QTY	ITEM	PART NUMBER	DESCRIPTION	QTY
1	KIT-00213	DRIVE SUPP.BRKT. KIT	1				
2	KIT-02403	HYD.PUMP & GEARBOX ASSY (INCLUDING HYD. FITTINGS)	1				
3	KIT-02528	HYD.HOSE KIT	1				
4	200209 01	DRIVE COUPLING	1				
5	200212 01	GEARBOX SUPPORT	1				
6	BLT-2316	BOLT	2				
7	WSH-0024	WASHER	2				
8	NUT-0271	NUT	2				



Shelbourne Reynolds Engineering Limited

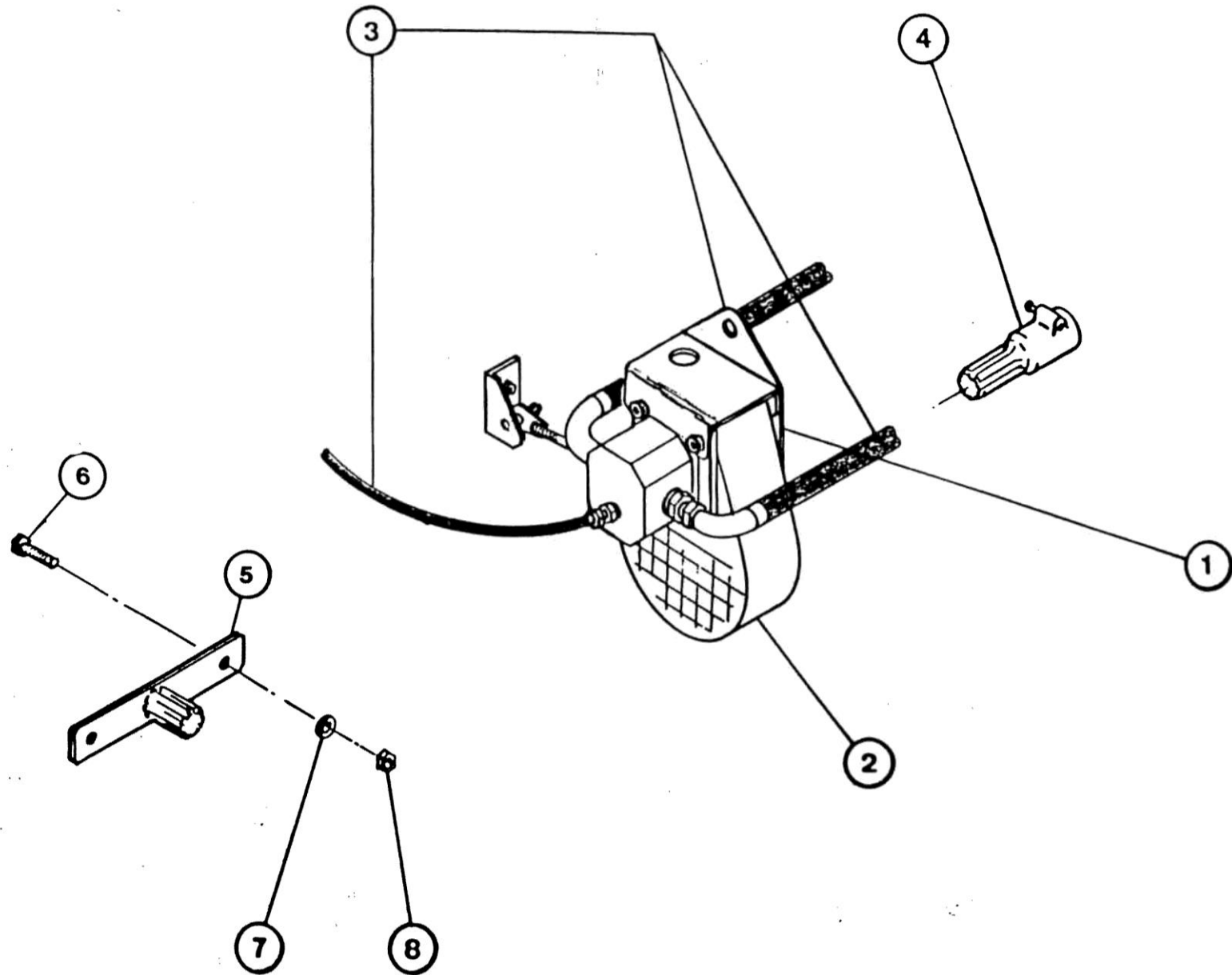
ASSY NUMBER:209901 035				ASSY DESCRIPTION: M/P P.U.H DRIVE KIT(JD ERPN)			
ITEM	PART NUMBER	DESCRIPPTION	QTY	ITEM	PART NUMBER	DESCRIPTION	QTY
1	KIT-00214	DRIVE SUPP.BRKT. KIT	1				
2	KIT-02403	HYD.PUMP & GEARBOX ASSY (INCLUDING HYD. FITTINGS)	1				
3	KIT-02524	HYD.HOSE KIT	1				
4	KIT-00526	REAR DRIVE GUARD KIT	1				

Shelbourne Reynolds Engineering Limited



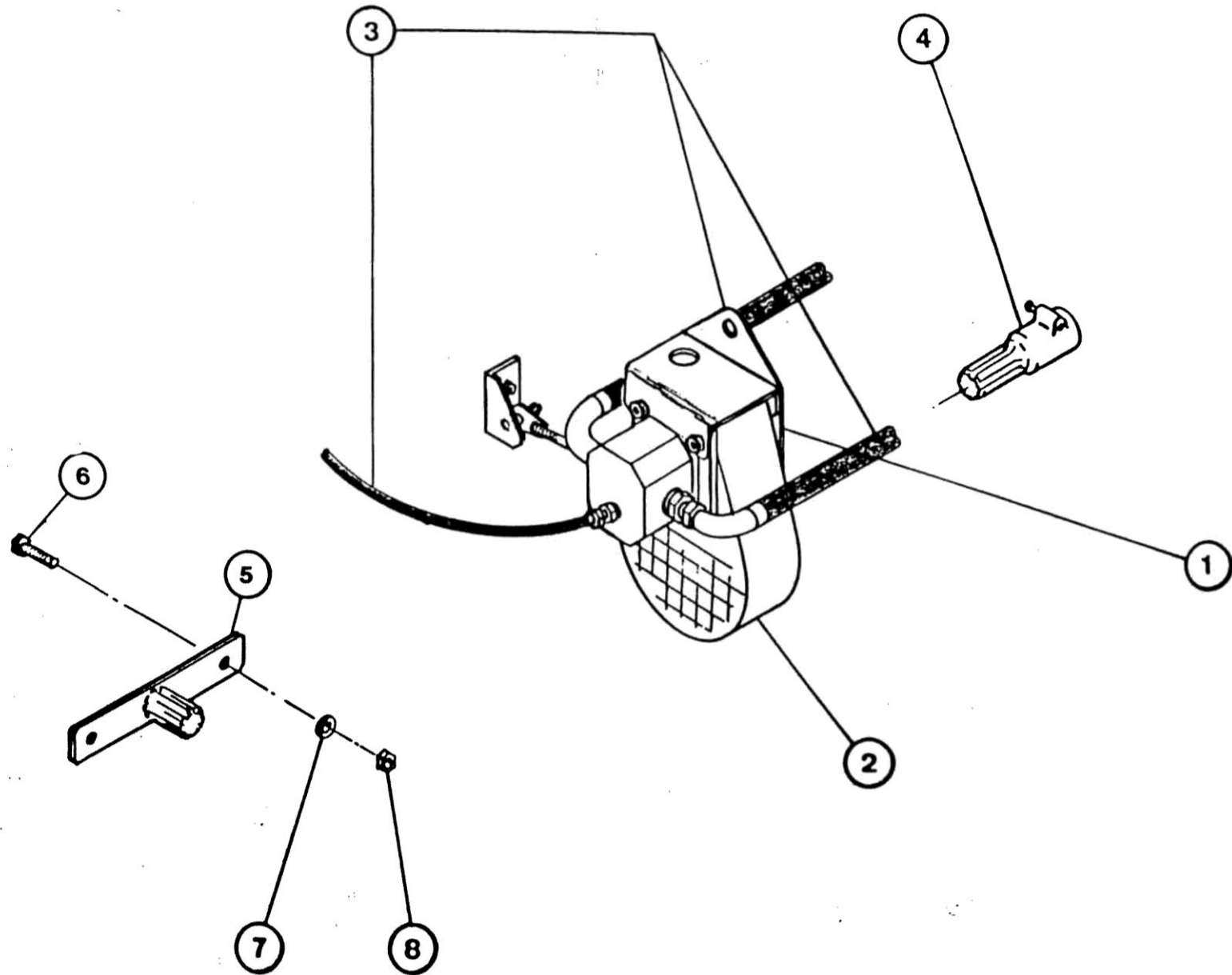
Shelbourne Reynolds Engineering Limited

ASSY NUMBER:209901 055				ASSY DESCRIPTION: M/P P.U.H DRIVE KIT (DEUTZ FAHR-PTO)			
ITEM	PART NUMBER	DESCRIPPTION	QTY	ITEM	PART NUMBER	DESCRIPTION	QTY
1	KIT-00207	DRIVE SUPP. BRKT. KIT.	1				
2	KIT-02403	HYD.PUMP & GEARBOX ASSY (INCLUDING HYD. FITTINGS)	1				
3*	KIT-02528	HYD.HOSE KIT	1				
4	200209 01	DRIVE COUPLING	1				
5	200212 01	GEARBOX SUPPORT	1				
6	BLT-2316	BOLT	2				
7	WSH-0024	WASHER	2				
8	NUT-0271	NUT	2				
		* HYDRAULIC HOSE KIT WILL NEED LOOKING AT WHEN BUILT.					
		THIS KIT IS CREATED FOR NON-LATERAL FLOAT (STUBBLE TRACKER) COMBINES .					



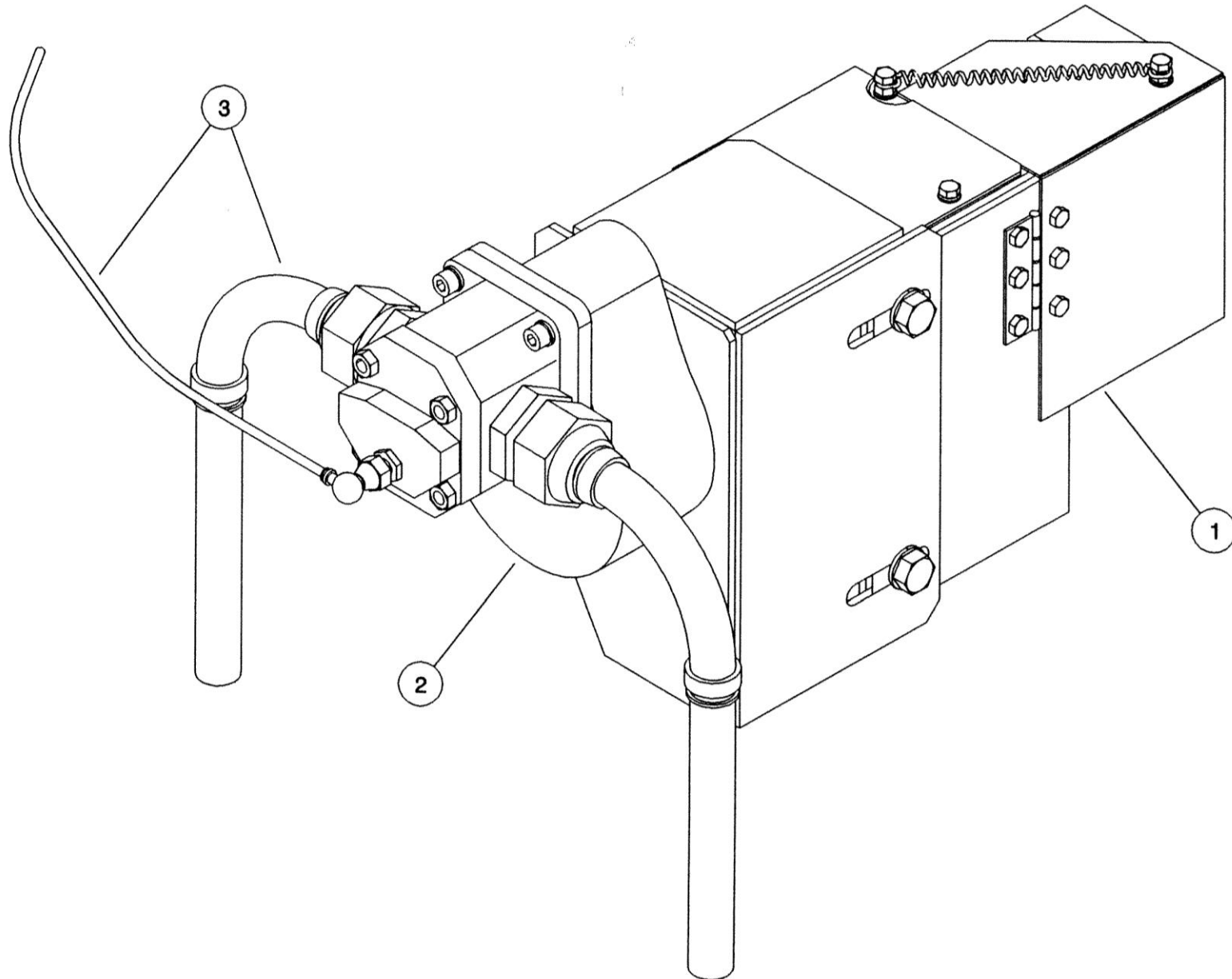
Shelbourne Reynolds Engineering Limited

ASSY NUMBER:209901 065				ASSY DESCRIPTION: M/P P.U.H DRIVE KIT(LAV.626 INTERG)			
ITEM	PART NUMBER	DESCRIPPTION	QTY	ITEM	PART NUMBER	DESCRIPTION	QTY
1	KIT-00211	DRIVE SUPP. BRKT. KIT	1				
2	KIT-02403	HYD.PUMP & GEARBOX ASSY	1				
3		HYD.HOSE KIT	1				
4	200209 01	DRIVE COUPLING	1				
5	200212 01	GEARBOX SUPPORT	1				
6	BLT-2316	BOLT	2				
7	WSH-0024	WASHER	2				
8	NUT-0271	NUT	2				



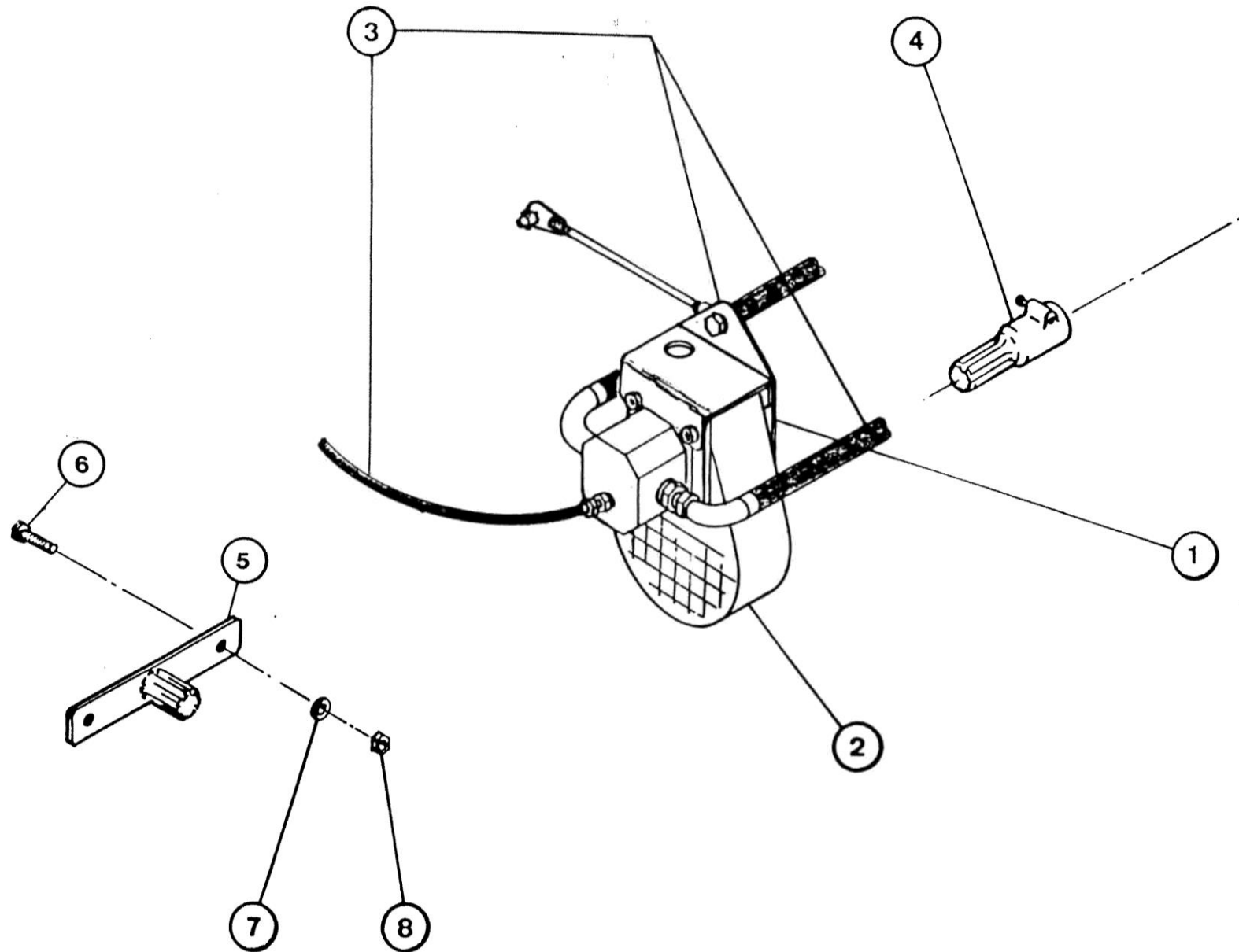
Shelbourne Reynolds Engineering Limited

ASSY NUMBER:209901 075				ASSY DESCRIPTION: M/P P.U.H DRIVE KIT (NH-SQDR)			
ITEM	PART NUMBER	DESCRIPPTION	QTY	ITEM	PART NUMBER	DESCRIPTION	QTY
1	KIT-00215	DRIVE SUPP.BRKT. KIT	1				
2	KIT-02403	HYD.PUMP & GEARBOX ASSY (INCLUDING HYD. FITTINGS)	1				
3	KIT-02529	HYD.HOSE KIT	1				



Shelbourne Reynolds Engineering Limited

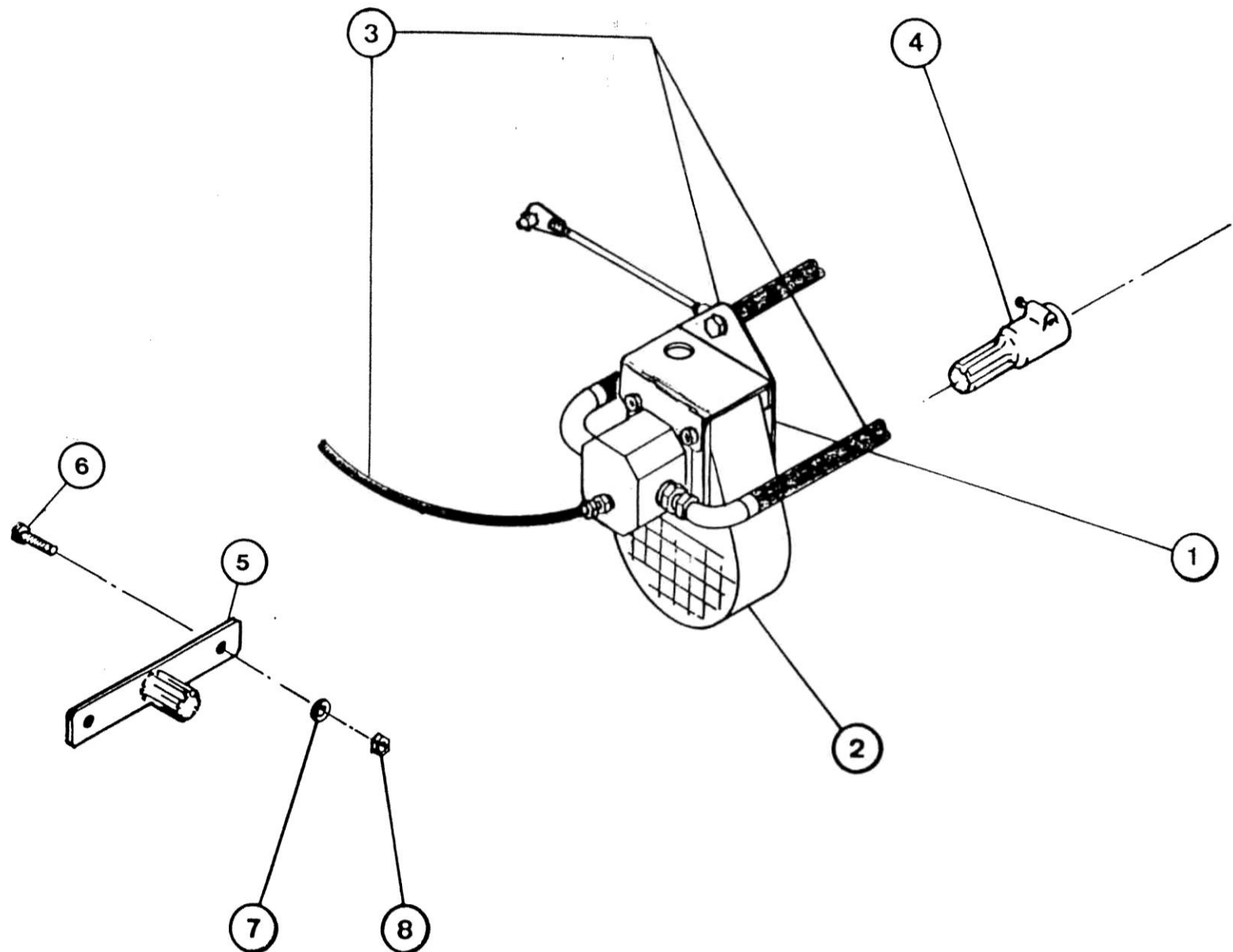
ASSY NUMBER:209901 115				ASSY DESCRIPTION: M/P P.U.H DRIVE KIT (MF 34)			
ITEM	PART NUMBER	DESCRIPPTION	QTY	ITEM	PART NUMBER	DESCRIPTION	QTY
1	KIT-00212	DRIVE SUPP.BRKT. KIT	1				
2	KIT-02405	HYD.PUMP & GEARBOX ASSY (INCLUDING HYD. FITTINGS)	1				
3	KIT-02528	HYD.HOSE KIT	1				
4	200209 01	DRIVE COUPLING	1				
5	200212 01	GEARBOX SUPPORT	1				
6	BLT-2316	BOLT	2				
7	WSH-0024	WASHER	2				
8	NUT-0271	NUT	2				



Shelbourne Reynolds Engineering Limited

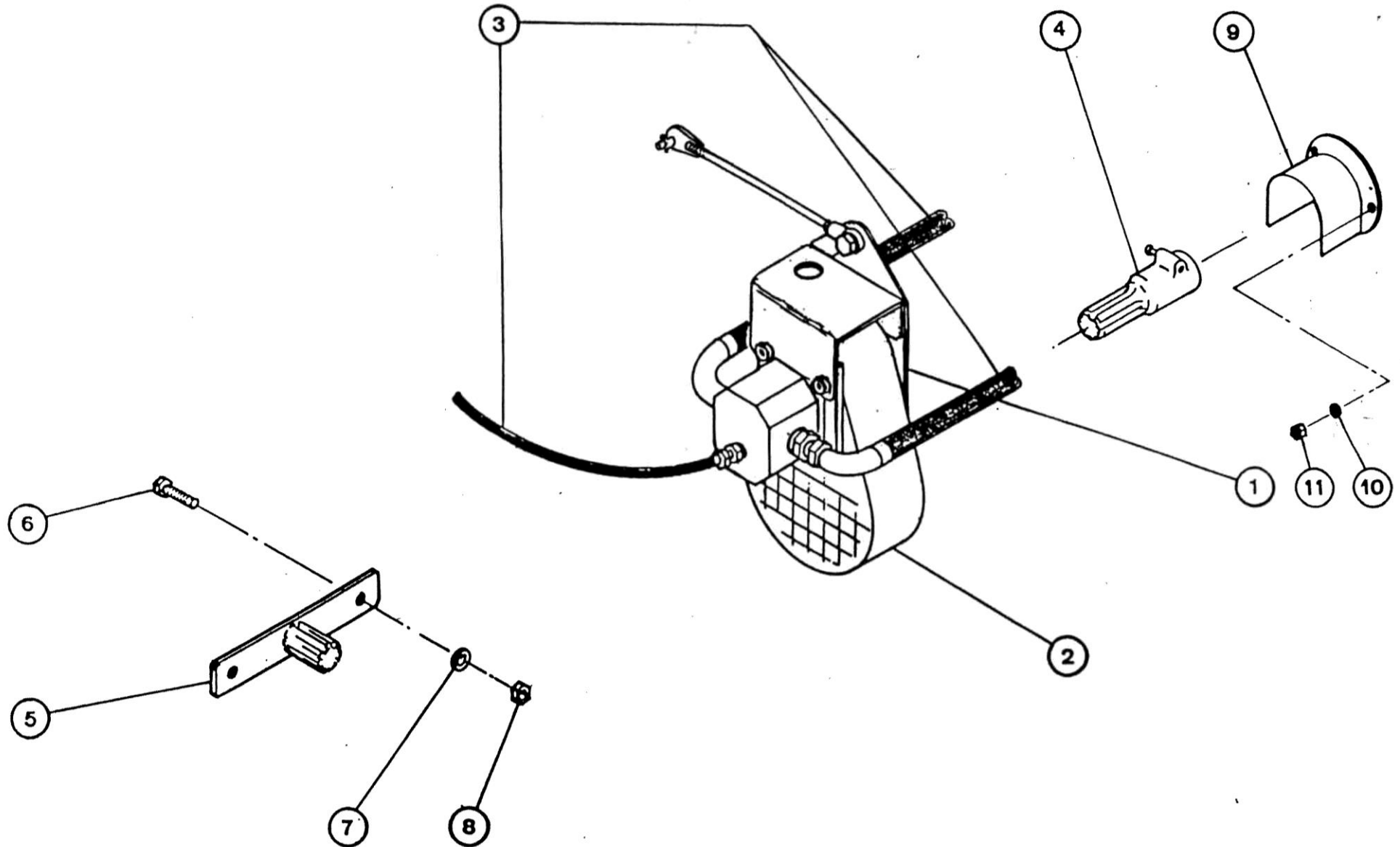
ASSY NUMBER:209901 116				ASSY DESCRIPTION: M/P P.U.H DRIVE KIT (MF30-40AUTO LEVEL)			
ITEM	PART NUMBER	DESCRIPPTION	QTY	ITEM	PART NUMBER	DESCRIPTION	QTY
1	KIT-00217	DRIVE SUPP.BRKT. KIT	1				
2	KIT-02405	HYD.PUMP & GEARBOX ASSY (INCLUDING HYD. FITTINGS)	1				
3	KIT-02528	HYD.HOSE KIT	1				
4	200209 01	DRIVE COUPLING	1				
5	200212 01	GEARBOX SUPPORT	1				
6	BLT-2316	BOLT	2				
7	WSH-0024	WASHER	2				
8	NUT-0271	NUT	2				

Shelbourne Reynolds Engineering Limited



Shelbourne Reynolds Engineering Limited

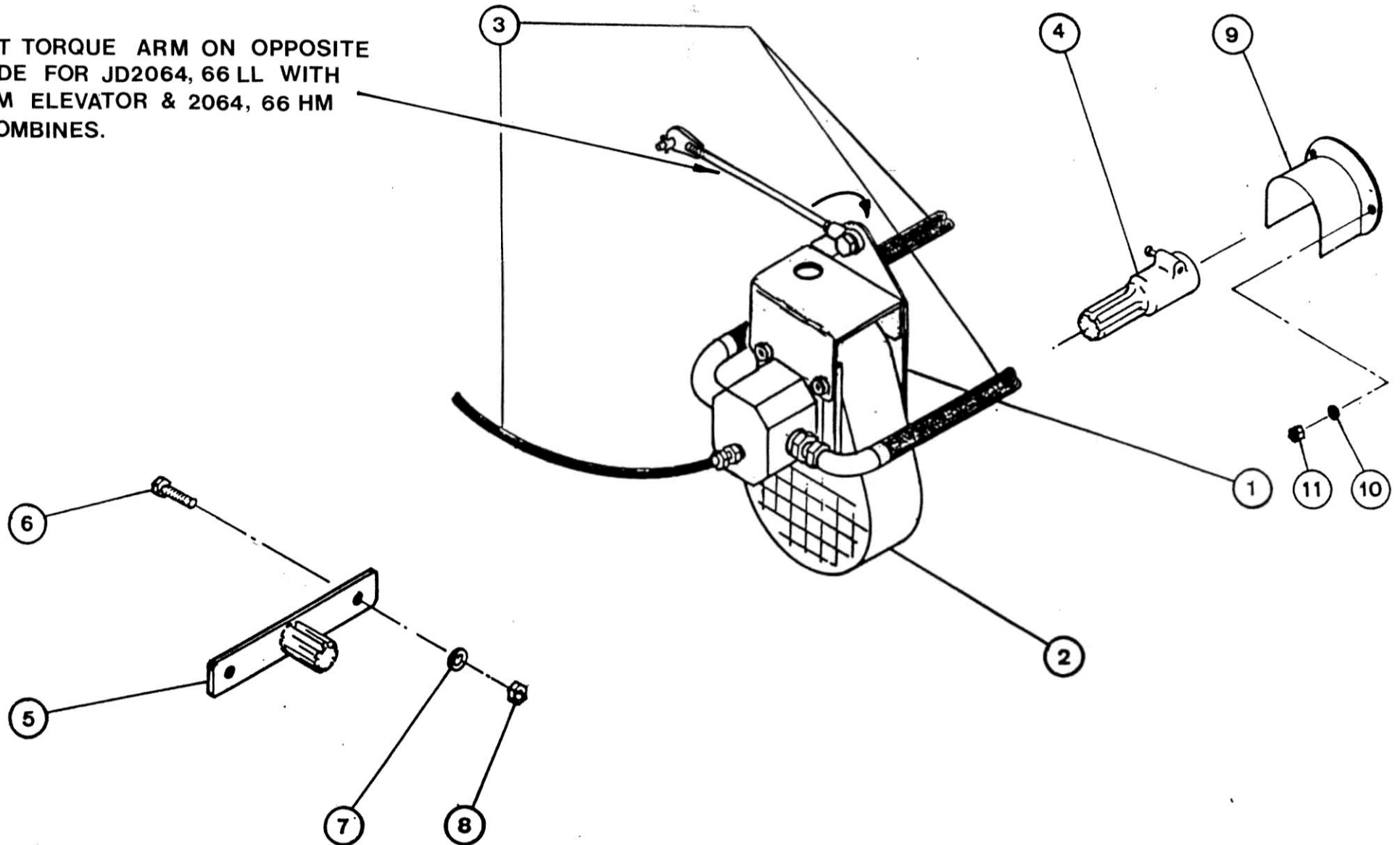
ASSY NUMBER:209901 175				ASSY DESCRIPTION: M/P P.U.H DRIVE KIT (JD.2054,56,58 LL)			
ITEM	PART NUMBER	DESCRIPPTION	QTY	ITEM	PART NUMBER	DESCRIPTION	QTY
1	KIT-00209	DRIVE SUPP.BRKT.KIT.	1				
2	KIT-02403	HYD.PUMP & GEARBOX ASSY (INCLUDING HYD.FITTINGS)	1				
3	KIT-02527	HYD.HOSE KIT	1				
4	200221 01	DRIVE COUPLING	1				
5	200212 01	GEARBOX SUPPORT	1				
6	BLT-2316	BOLT	2				
7	WSH-0024	WASHER	2				
8	NUT-0271	NUT	2				
9	200219 01	GUARD	1				
10	WSH-0015	WASHER	3				
11	NUT-0265	NUT	3				



Shelbourne Reynolds Engineering Limited

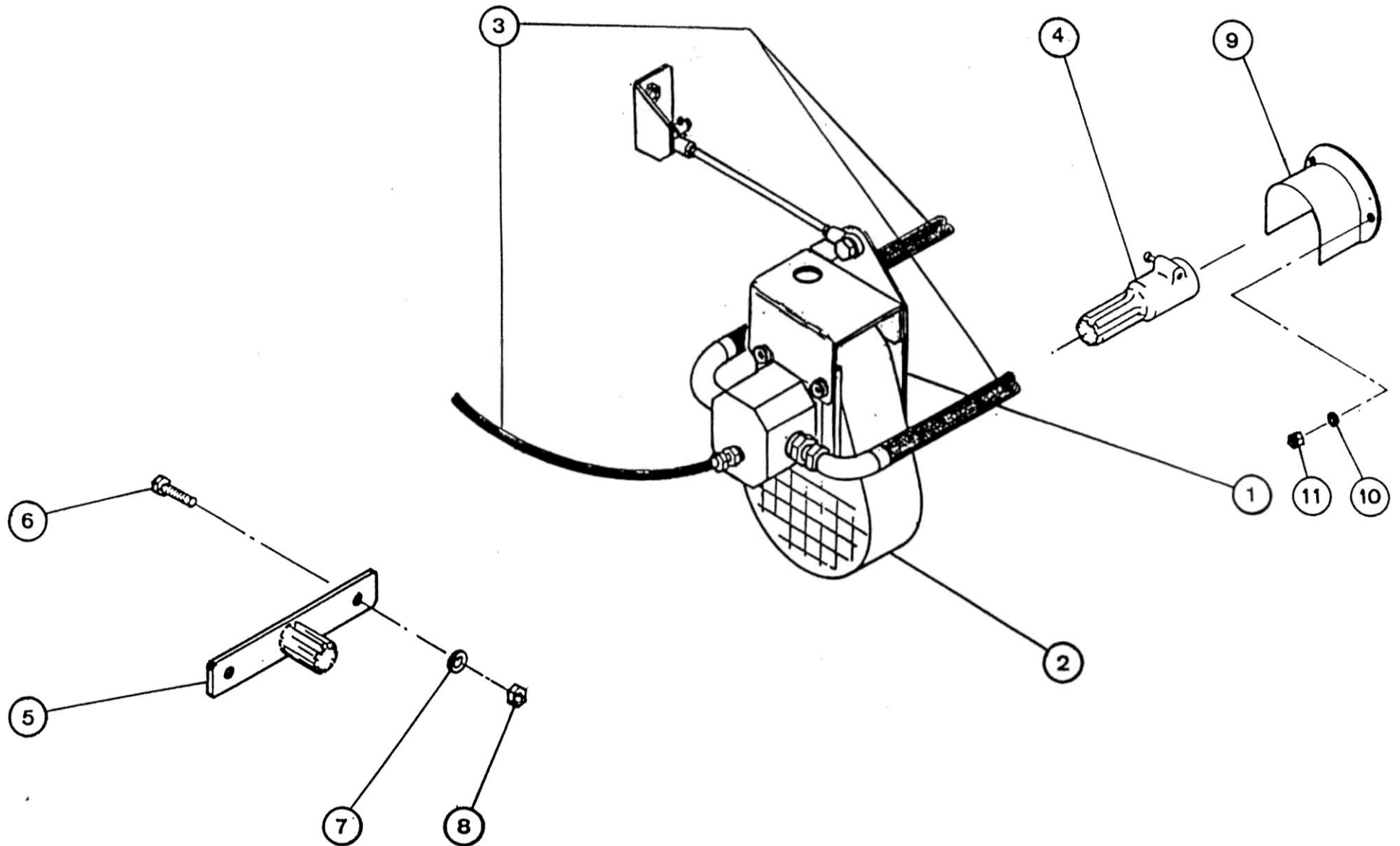
ASSY NUMBER:209901 176				ASSY DESCRIPTION: M/P P.U.H DRIVE KIT (JD Z, HM&LL ELEVATOR)			
ITEM	PART NUMBER	DESCRIPPTION	QTY	ITEM	PART NUMBER	DESCRIPTION	QTY
1	KIT-00210	DRIVE SUPP.BRKT.KIT.	1				
2	KIT-02403	HYD.PUMP & GEARBOX ASSY (INCLUDING HYD.FITTINGS)	1				
3	KIT-02528	HYD.HOSE KIT	1				
4	200221 01	DRIVE COUPLING	1				
5	200212 01	GEARBOX SUPPORT	1				
6	BLT-2316	BOLT	2				
7	WSH-0024	WASHER	2				
8	NUT-0271	NUT	2				
9	200219 01	GUARD	1				
10	WSH-0015	WASHER	3				
11	NUT-0265	NUT	3				

FIT TORQUE ARM ON OPPOSITE
SIDE FOR JD2064, 66 LL WITH
HM ELEVATOR & 2064, 66 HM
COMBINES.



Shelbourne Reynolds Engineering Limited

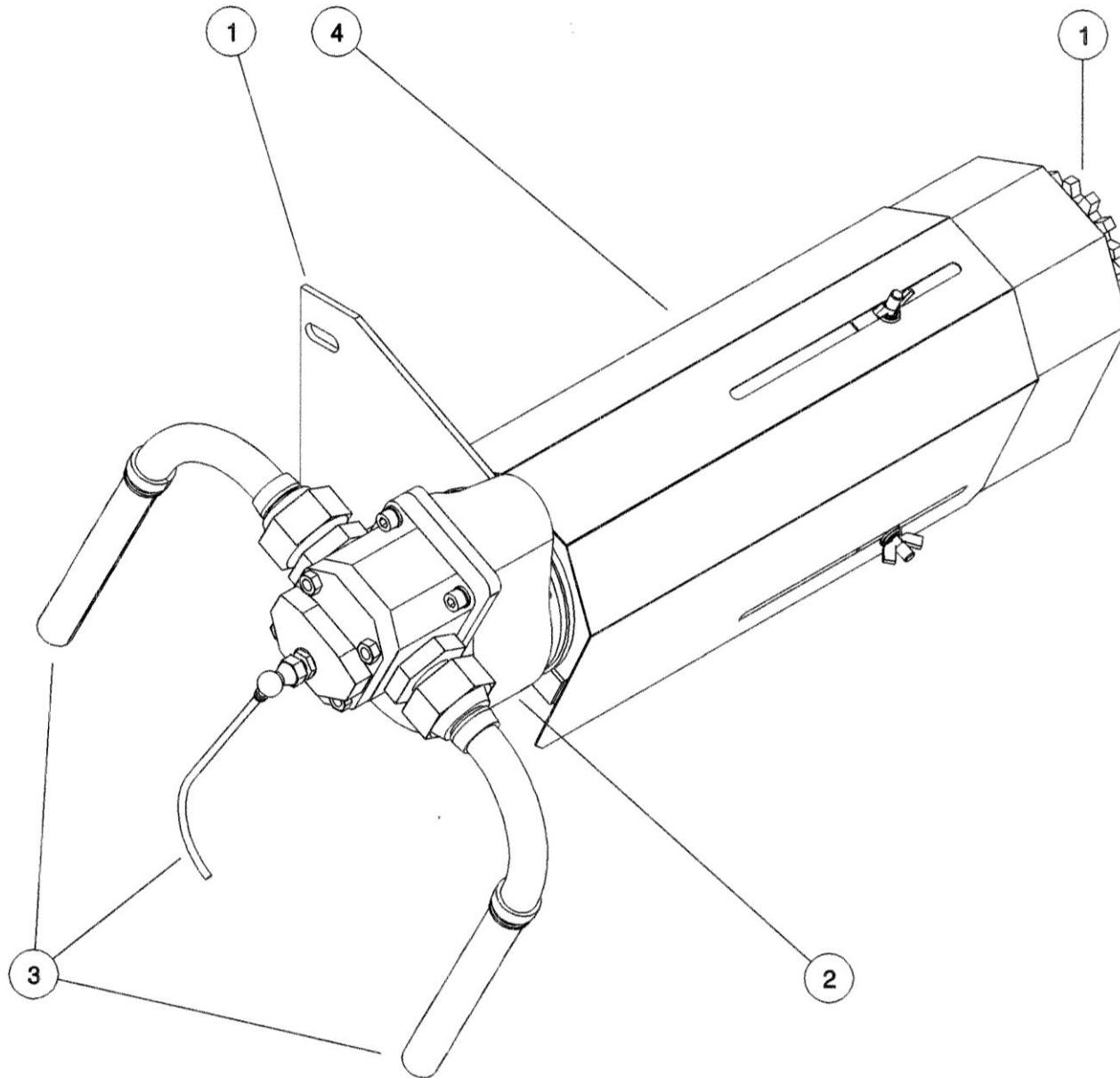
ASSY NUMBER:209901 177				ASSY DESCRIPTION: M/P P.U.H DRIVE KIT(JD.2066, 68 LL)			
ITEM	PART NUMBER	DESCRIPPTION	QTY	ITEM	PART NUMBER	DESCRIPTION	QTY
1	KIT-00211	DRIVE SUPP.BRKT.KIT.	1				
2	KIT-02403	HYD.PUMP & GEARBOX ASSY (INCLUDING HYD.FITTINGS)	1				
3	KIT-02527	HYD.HOSE KIT	1				
4	200221 01	DRIVE COUPLING	1				
5	200212 01	GEARBOX SUPPORT	1				
6	BLT-2316	BOLT	2				
7	WSH-0024	WASHER	2				
8	NUT-0271	NUT	2				
9	200219 01	GUARD	1				
10	WSH-0015	WASHER	3				
11	NUT-0265	NUT	3				



Shelbourne Reynolds Engineering Limited

ASSY NUMBER:209901 178				ASSY DESCRIPTION: M/P P.U.H DRIVE KIT(JD USA)			
ITEM	PART NUMBER	DESCRIPPTION	QTY	ITEM	PART NUMBER	DESCRIPTION	QTY
1	KIT-00216	DRIVE SUPP.BRKT.KIT.	1				
2	KIT-02403	HYD.PUMP & GEARBOX ASSY. (INCLUDING HYD.FITTINGS)	1				
3	KIT-02524	HYD.HOSE KIT	1				
4	KIT-00520	REAR DRIVE GUARD KIT	1				

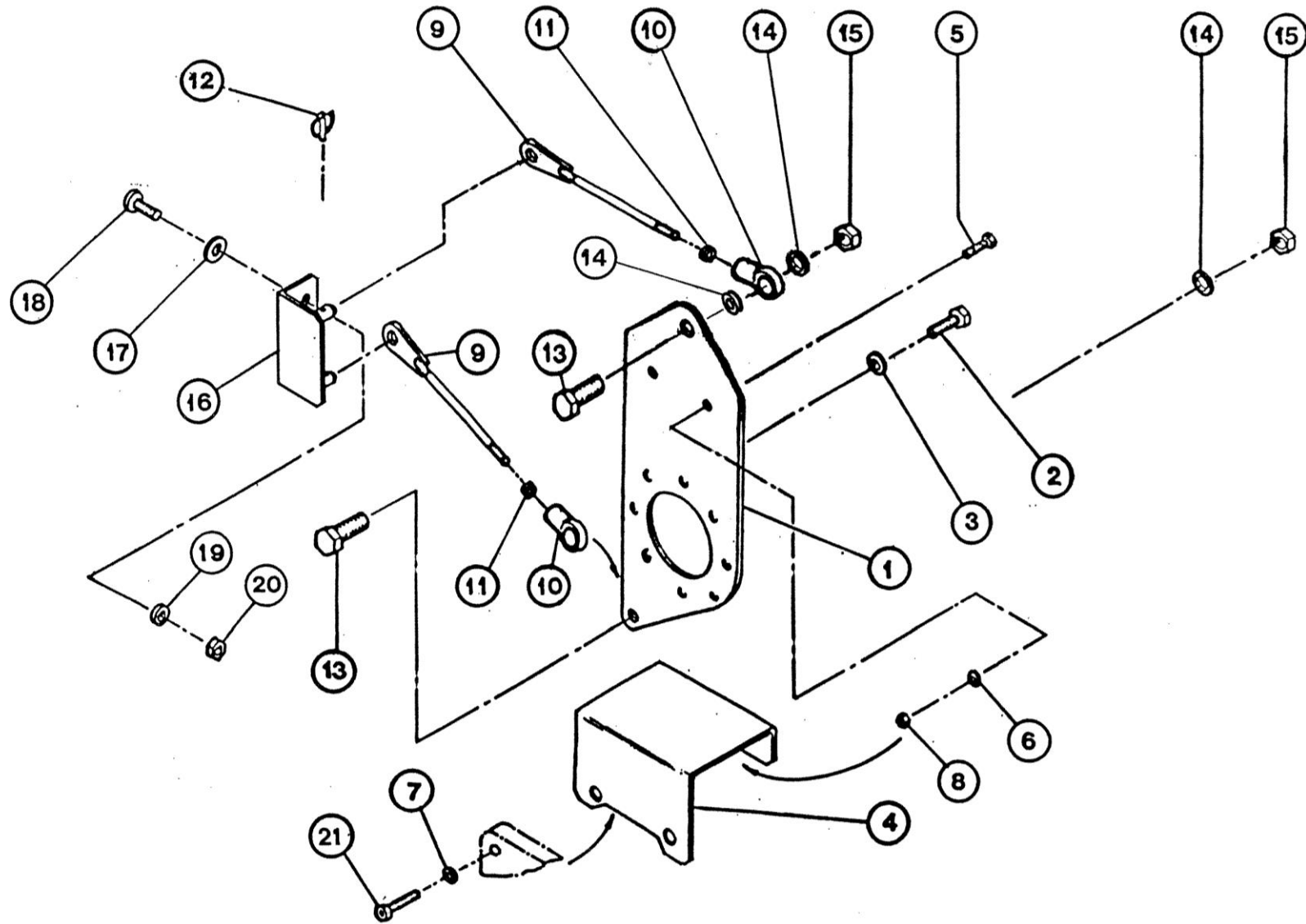
Shelbourne Reynolds Engineering Limited



Shelbourne Reynolds Engineering Limited

ASSY NUMBER:KIT-00206				ASSY DESCRIPTION: DRIVE SUPPORT BRACKET KIT			
ITEM	PART NUMBER	DESCRIPPTION	QTY	ITEM	PART NUMBER	DESCRIPTION	QTY
1	200201 01	MOUNTING BRACKET	1				
2	HSS-0188	SCREW	4				
3	WSH-0061	WASHER	4				
4	200207 01	SUPPORT BRACKET	1				
5	HSS-0152	SCREW	2				
6	WSH-0012	WASHER	2				
7	WSH-0058	WASHER	2				
8	NUT-0263	NUT	2				
9	200202 01	TORQUE ARM ASSY	2				
10	BSHY01700	ROD END ASSY	2				
11	NUT-0380	HALF NUT	2				
12	PIN-01790	LYNCH PIN	2				
13	BLT-2312	BOLT	2				
14	200236 01	SPACER TUBE	4				
15	NUT-0271	NUT	2				
16	200230 01	TORQUE ARM BRACKET	1				
17	190119 11	WASHER	2				
18	SCW-0516	SCREW	2				
19	WSH-0015	WASHER	2				
20	NUT-0265	NUT	2			IHC 1660/1680	
21	SCW-0139	SCREW	2				

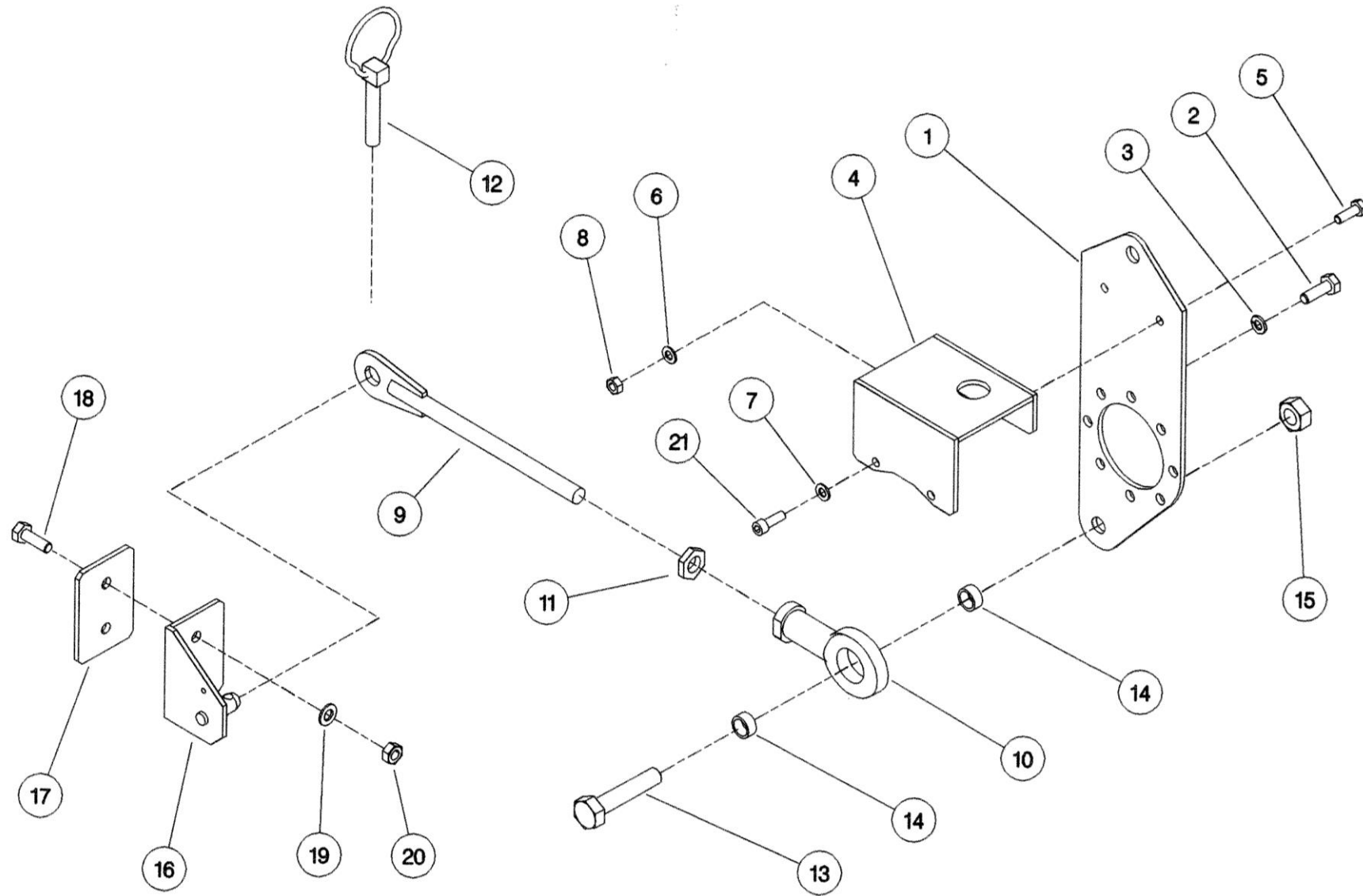
Shelbourne Reynolds Engineering Limited



Shelbourne Reynolds Engineering Limited

ASSY NUMBER:KIT-00207				ASSY DESCRIPTION: DRIVE SUPPORT BRACKET KIT			
ITEM	PART NUMBER	DESCRIPPTION	QTY	ITEM	PART NUMBER	DESCRIPTION	QTY
1	200201 01	MOUNTING BRACKET	1				
2	HSS-0188	SCREW	4				
3	WSH-0061	WASHER	4				
4	200207 01	SUPPORT BRACKET	1				
5	HSS-0152	SCREW	2				
6	WSH-0012	WASHER	2				
7	WSH-0058	WASHER	2				
8	NUT-0263	NUT	2				
9	200202 11	TORQUE ARM ASSY.	1				
10	BSHY01700	ROD END ASSY	1				
11	NUT-0380	HALF NUT	1				
12	PIN-01790	LYNCH PIN	1				
13	BLT-2312	BOLT	1				
14	200236 01	SPACER TUBE	2				
15	NUT-0271	NUT	1				
16	200205 01	TORQUE ARM BRACKET ASSY	1				
17	200206 01	REINFORCING PLATE	1			CLAAS/NH (PTO) J.D.2058LL & HM	
18	SCW-0516	SCREW	2				
19	WSH-0015	WASHER	2				
20	NUT-0265	NUT	2				
21	SCW-0139	SCREW	2				

Shelbourne Reynolds Engineering Limited

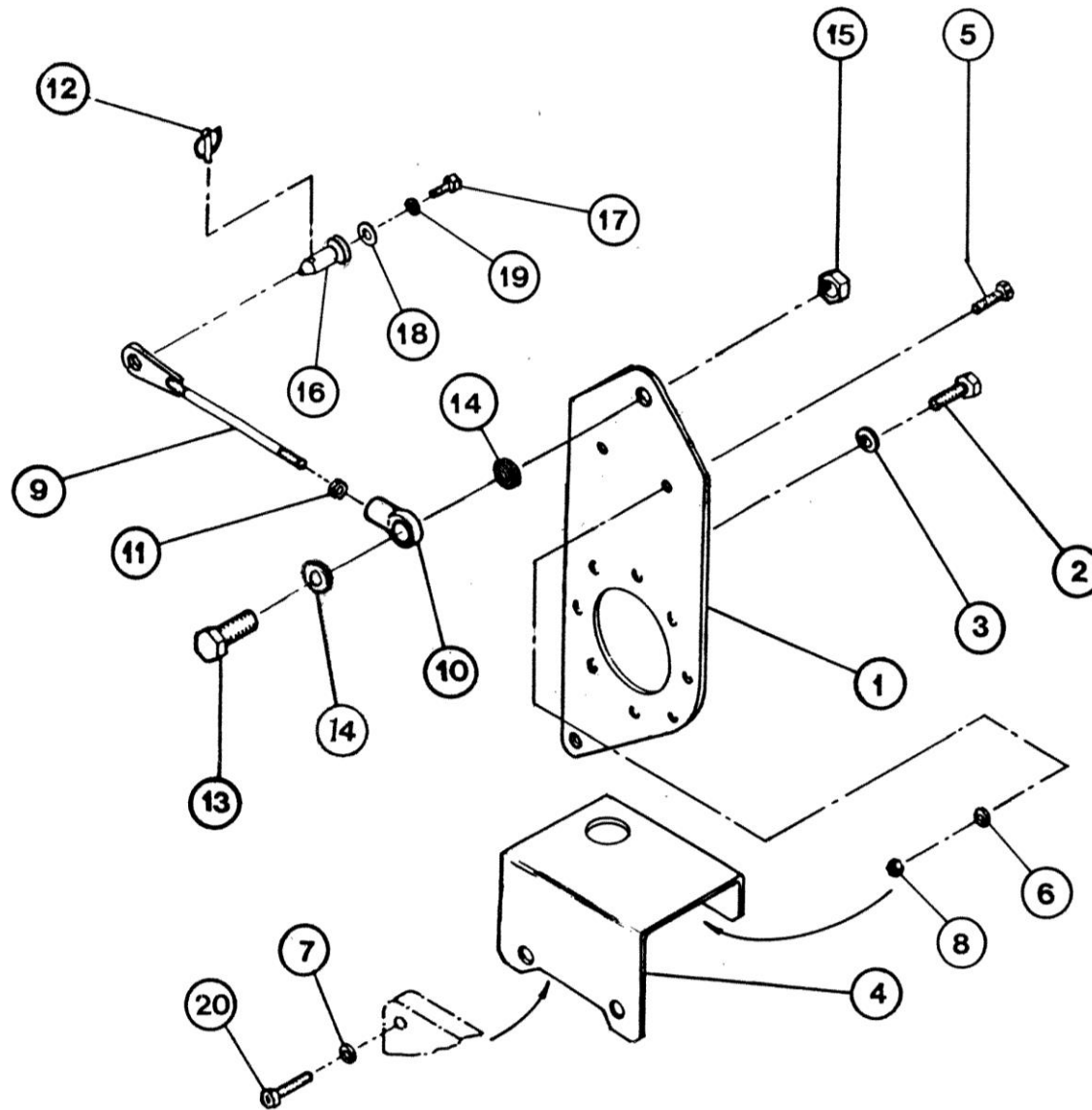


NOTE :
ITEM 16 FIXES ONTO ADAPTER PLATE
FOR BOTH CLAAS & DEUTZ-FAHR

Shelbourne Reynolds Engineering Limited

ASSY NUMBER:KIT-00208				ASSY DESCRIPTION: DRIVE SUPPORT BRACKET KIT			
ITEM	PART NUMBER	DESCRIPPTION	QTY	ITEM	PART NUMBER	DESCRIPTION	QTY
1	200201 01	MOUNTING BRACKET	1				
2	HSS-0188	SCREW	4				
3	WSH-0061	WASHER	4				
4	200207 01	SUPPORT BRACKET	1				
5	HSS-0152	SCREW	2				
6	WSH-0012	WASHER	2				
7	WSH-0058	WASHER	2				
8	NUT-0263	NUT	2				
9	200202 10	TORQUE ARM ASSY.	1				
10	BSHY01700	ROD END ASSY	1				
11	NUT-0380	HALF NUT	1				
12	PIN-01790	LYNCH PIN	1				
13	BLT-2312	BOLT	1				
14	200236 01	SPACER TUBE	2				
15	NUT-0271	NUT	3				
16	200222 01	PIN	1				
17	HSS-0235	SCREW	1			J.D. 2058HM	
18	190119 04	WASHER	1				
19	WSH-0065	WASHER	1				
20	SCW-0139	SCREW	2				

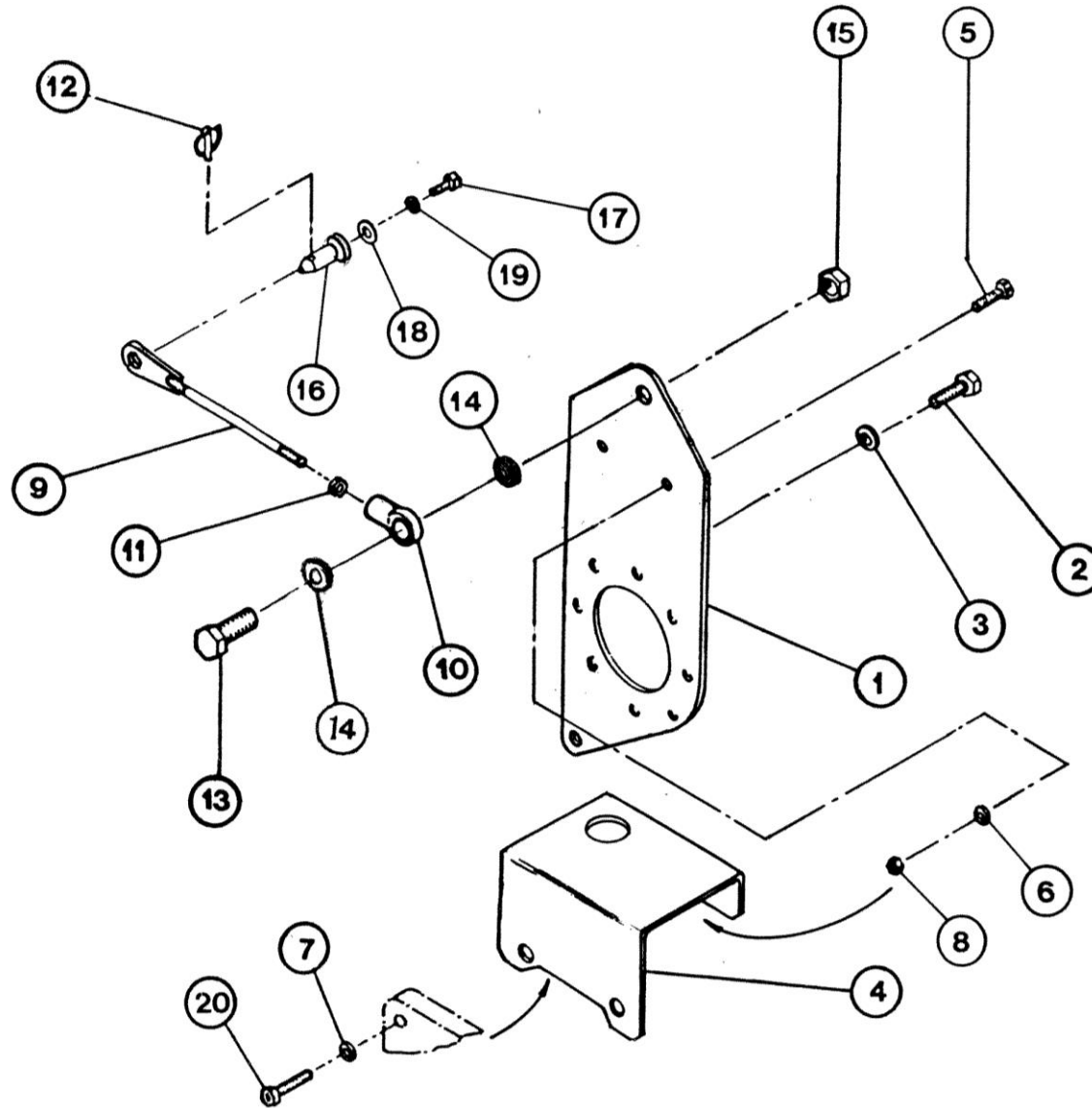
Shelbourne Reynolds Engineering Limited



Shelbourne Reynolds Engineering Limited

ASSY NUMBER:KIT-00209				ASSY DESCRIPTION: DRIVE SUPPORT BRACKET KIT			
ITEM	PART NUMBER	DESCRIPPTION	QTY	ITEM	PART NUMBER	DESCRIPTION	QTY
1	200201 01	MOUNTING BRACKET	1				
2	HSS-0188	SCREW	4				
3	WSH-0061	WASHER	4				
4	200207 01	SUPPORT BRACKET	1				
5	HSS-0152	SCREW	2				
6	WSH-0012	WASHER	2				
7	WSH-0058	WASHER	2				
8	NUT-0263	NUT	2				
9	200202 02	TORQUE ARM ASSY.	1				
10	BSHY01700	ROD END ASSY	1				
11	NUT-0380	HALF NUT	1				
12	PIN-01790	LYNCH PIN	1				
13	BLT-2312	BOLT	1				
14	200236 01	SPACER TUBE	2				
15	NUT-0271	NUT	3				
16	200222 01	PIN	1				
17	HSS-0235	SCREW	1			J.D. 2058LL	
18	190119 04	WASHER	1				
19	WSH-0065	WASHER	1				
20	SCW-0139	SCREW	2				

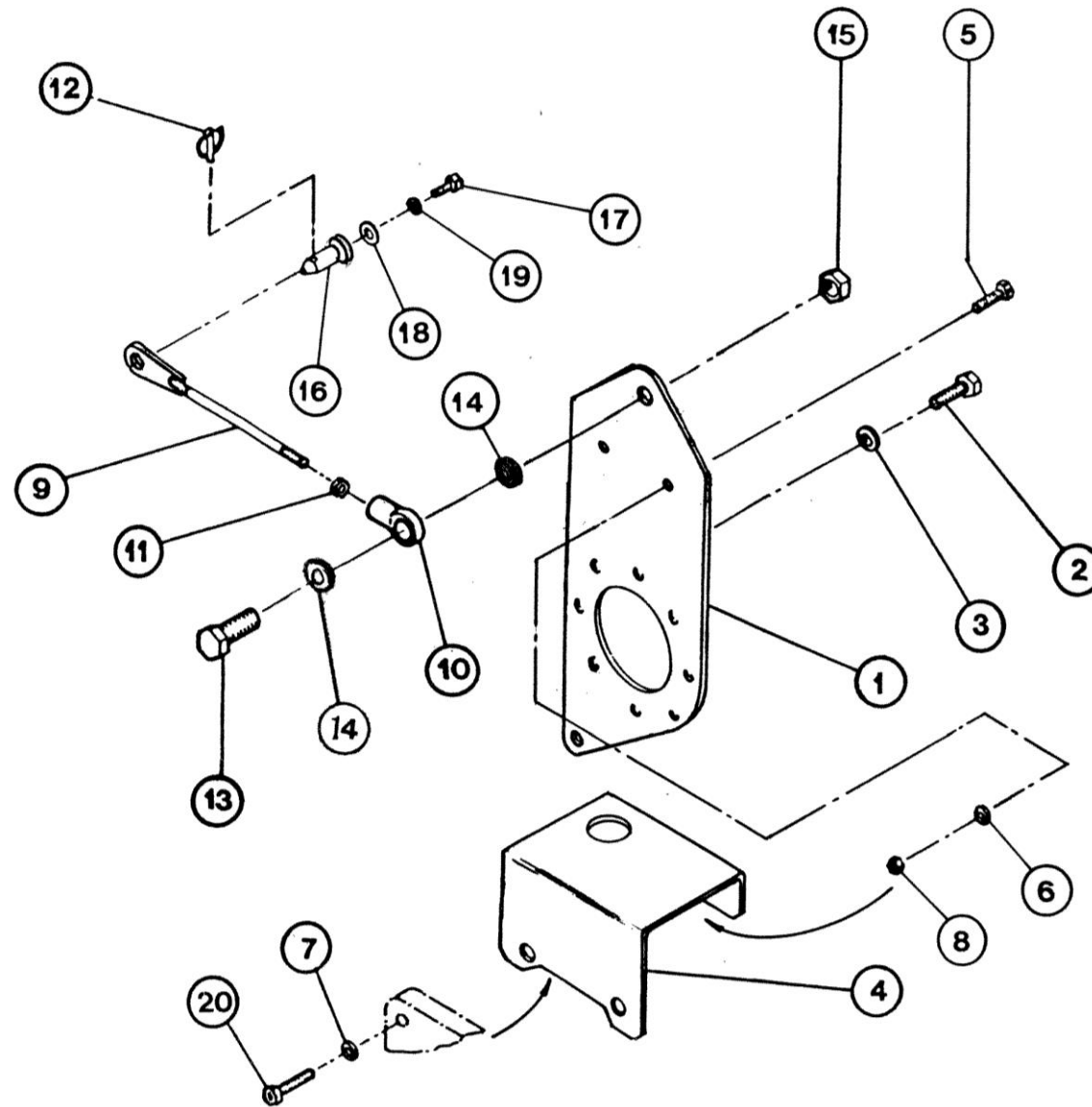
Shelbourne Reynolds Engineering Limited



Shelbourne Reynolds Engineering Limited

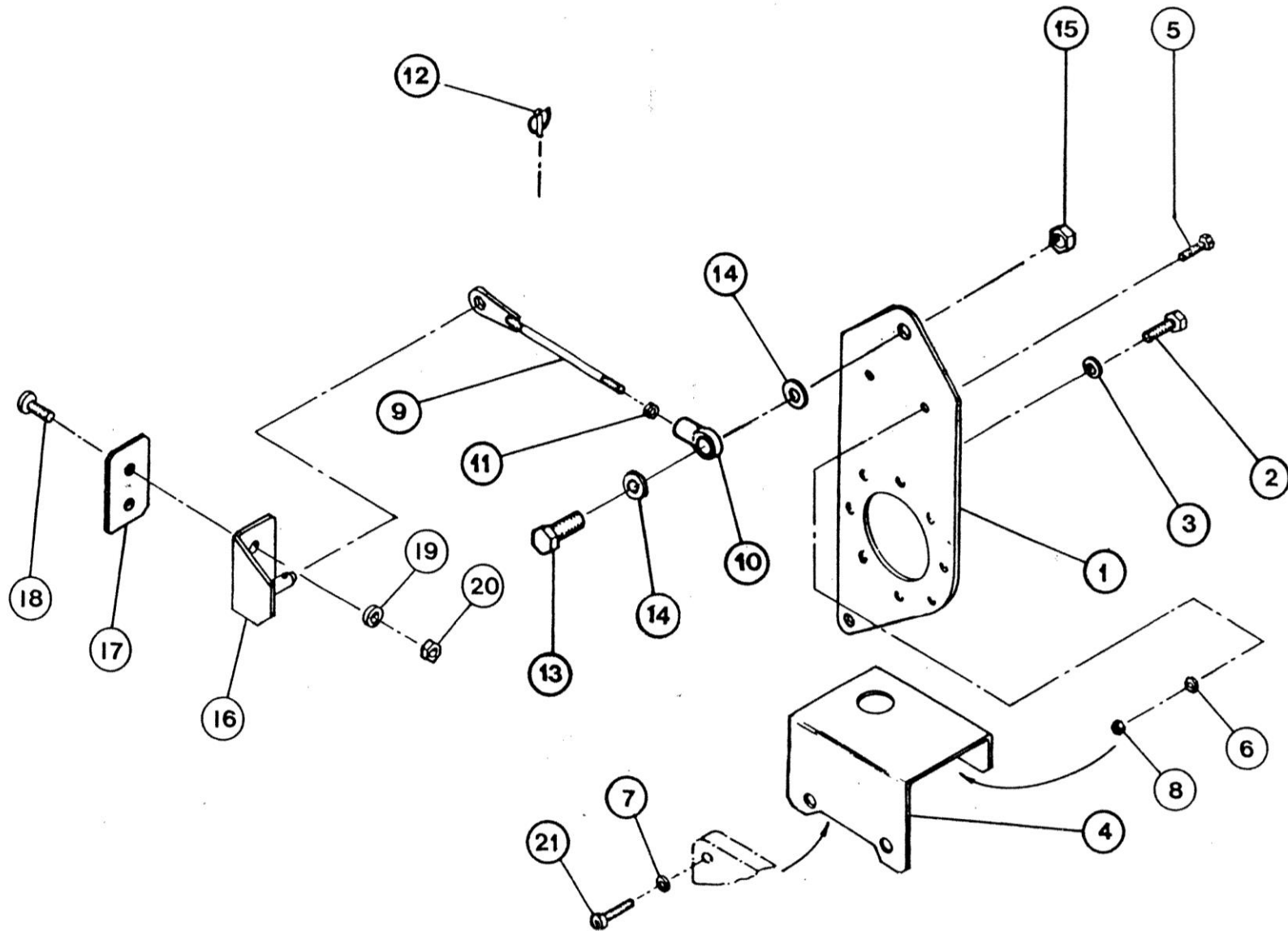
ASSY NUMBER:KIT-00210				ASSY DESCRIPTION: DRIVE SUPPORT BRACKET KIT			
ITEM	PART NUMBER	DESCRIPPTION	QTY	ITEM	PART NUMBER	DESCRIPTION	QTY
1	200201 01	MOUNTING BRACKET	1				
2	HSS-0188	SCREW	4				
3	WSH-0061	WASHER	4				
4	200207 01	SUPPORT BRACKET	1				
5	HSS-0152	SCREW	2				
6	WSH-0012	WASHER	2				
7	WSH-0058	WASHER	2				
8	NUT-0263	NUT	2				
9	200202 09	TORQUE ARM ASSY.	1				
10	BSHY01700	ROD END ASSY	1				
11	NUT-0380	HALF NUT	1				
12	PIN-01790	LYNCH PIN	1				
13	BLT-2312	BOLT	1				
14	200236 01	SPACER TUBE	2				
15	NUT-0271	NUT	3				
16	200222 01	PIN	1				
17	HSS-0235	SCREW	1			J.D. 2058HM	
18	190119 04	WASHER	1				
19	WSH-0065	WASHER	1				
20	SCW-0139	SCREW	2				

Shelbourne Reynolds Engineering Limited



Shelbourne Reynolds Engineering Limited

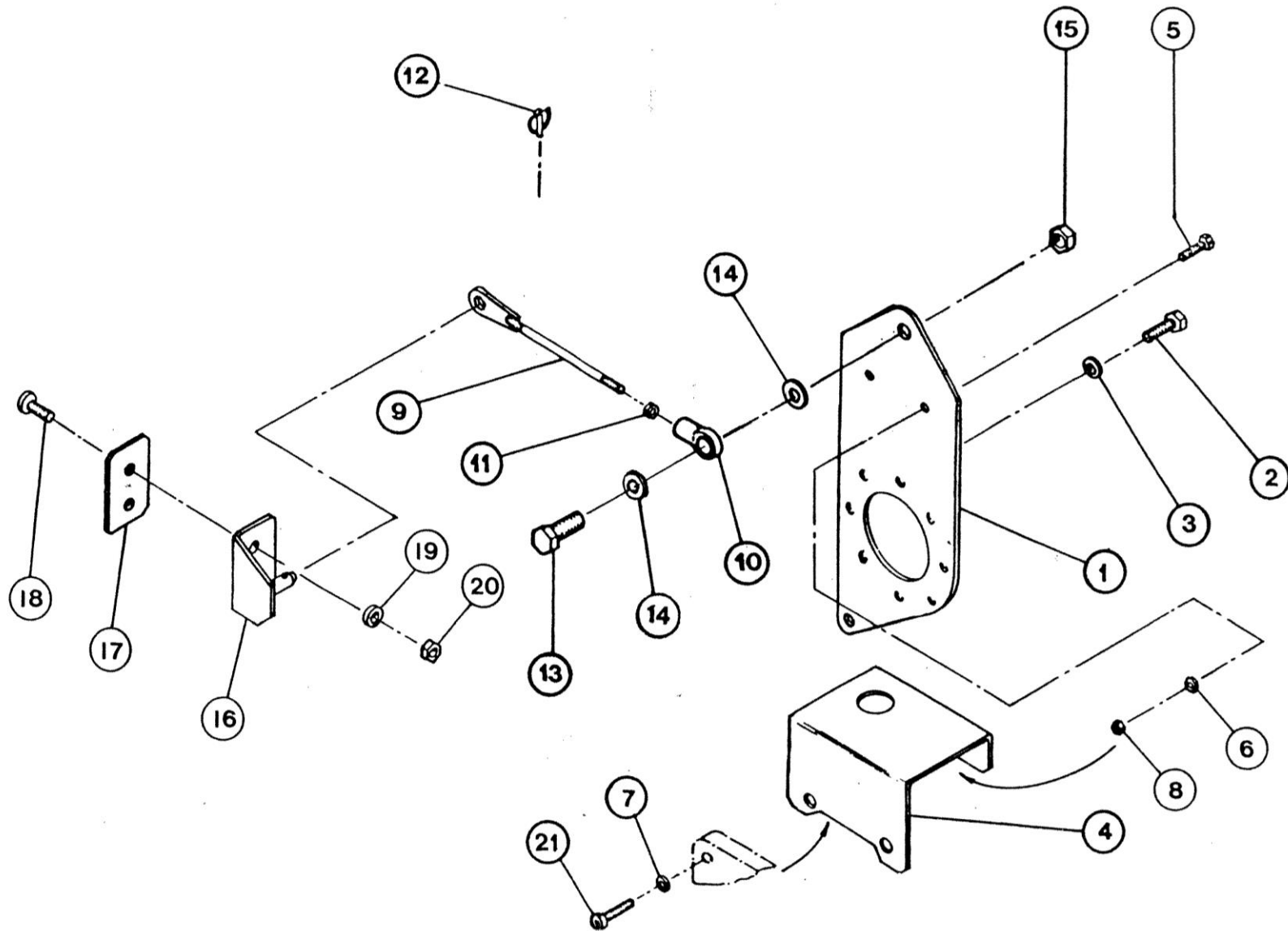
ASSY NUMBER:KIT-00211				ASSY DESCRIPTION: DRIVE SUPPORT BRACKET KIT			
ITEM	PART NUMBER	DESCRIPPTION	QTY	ITEM	PART NUMBER	DESCRIPTION	QTY
1	200201 01	MOUNTING BRACKET	1				
2	HSS-0188	SCREW	4				
3	WSH-0061	WASHER	4				
4	200207 01	SUPPORT BRACKET	1				
5	HSS-0152	SCREW	2				
6	WSH-0012	WASHER	3				
7	WSH-0058	WASHER	3				
8	NUT-0263	NUT	2				
9	200202 12	TORQUE ARM ASSY.	1				
10	BSHY01700	ROD END ASSY	1				
11	NUT-0380	HALF NUT	1				
12	PIN-01790	LYNCH PIN	1				
13	BLT-2312	BOLT	1				
14	200236 01	SPACER TUBE	2				
15	NUT-0271	NUT	1				
16	200205 01	TORQUE ARM BRACKET ASSY	1				
17	200206 01	REINFORCING PLATE	1			J.D. 2066LL	
18	SCW-0516	SCREW	2				
19	WSH-0015	WASHER	2				
20	NUT-0265	NUT	2				
21	SCW-0139	SCREW	2				



Shelbourne Reynolds Engineering Limited

ASSY NUMBER:KIT-00212				ASSY DESCRIPTION: DRIVE SUPPORT BRACKET KIT			
ITEM	PART NUMBER	DESCRIPPTION	QTY	ITEM	PART NUMBER	DESCRIPTION	QTY
1	200201 01	MOUNTING BRACKET	1				
2	HSS-0188	SCREW	4				
3	WSH-0061	WASHER	4				
4	200207 01	SUPPORT BRACKET	1				
5	HSS-0152	SCREW	2				
6	WSH-0012	WASHER	2				
7	WSH-0058	WASHER	2				
8	NUT-0263	NUT	2				
9	200202 01	TORQUE ARM ASSY.	1				
10	BSHY01700	ROD END ASSY	1				
11	NUT-0380	HALF NUT	1				
12	PIN-01790	LYNCH PIN	1				
13	BLT-2312	BOLT	1				
14	200236 01	SPACER TUBE	2				
15	NUT-0271	NUT	1				
16	200205 01	TORQUE ARM BRACKET ASSY	1				
17	200206 01	REINFORCING PLATE	1			MF-34	
18	SCW-0516	SCREW	2				
19	WSH-0015	WASHER	2				
20	NUT-0265	NUT	2				
21	SCW-0139	SCREW	2				

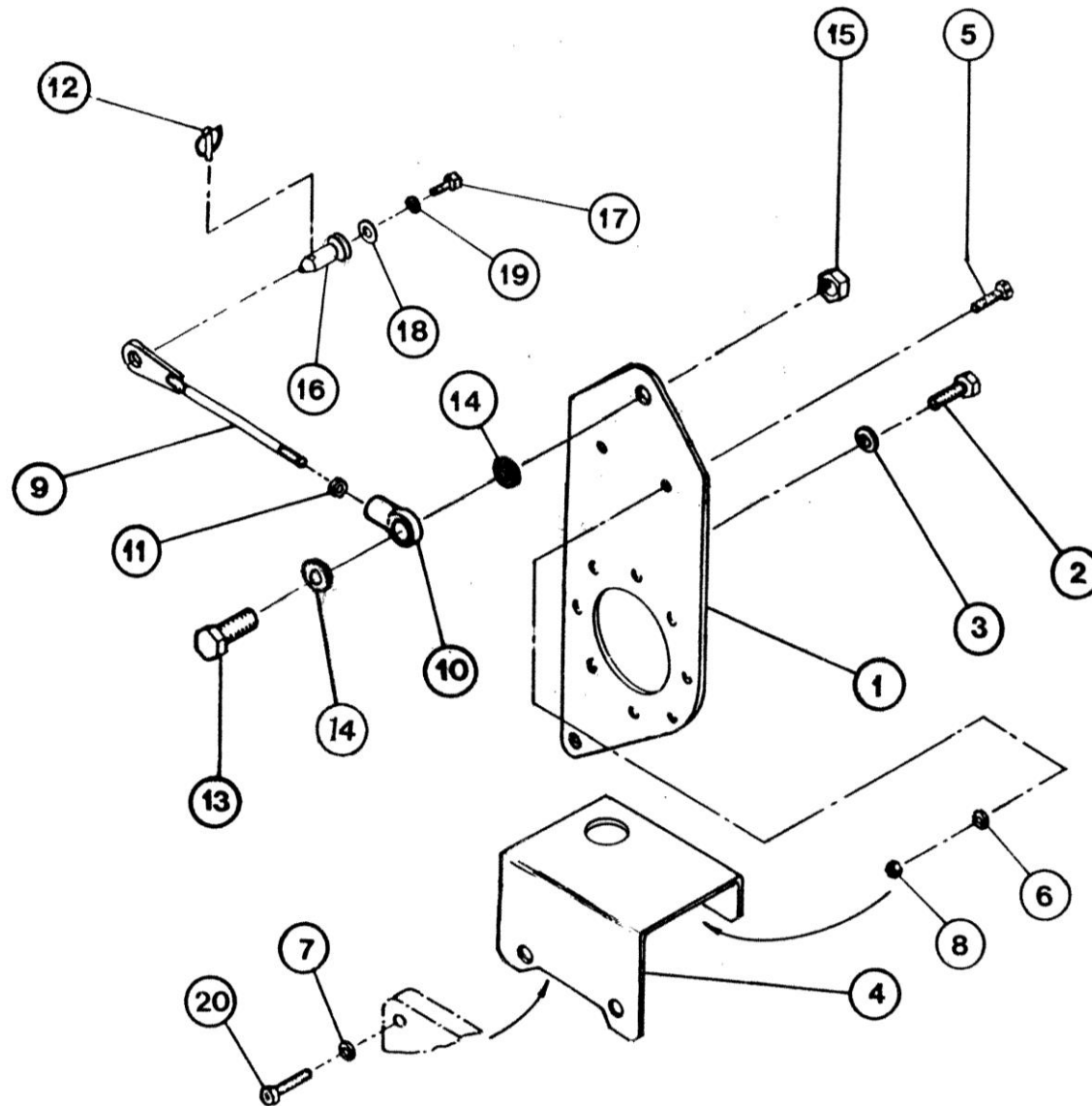
Shelbourne Reynolds Engineering Limited



Shelbourne Reynolds Engineering Limited

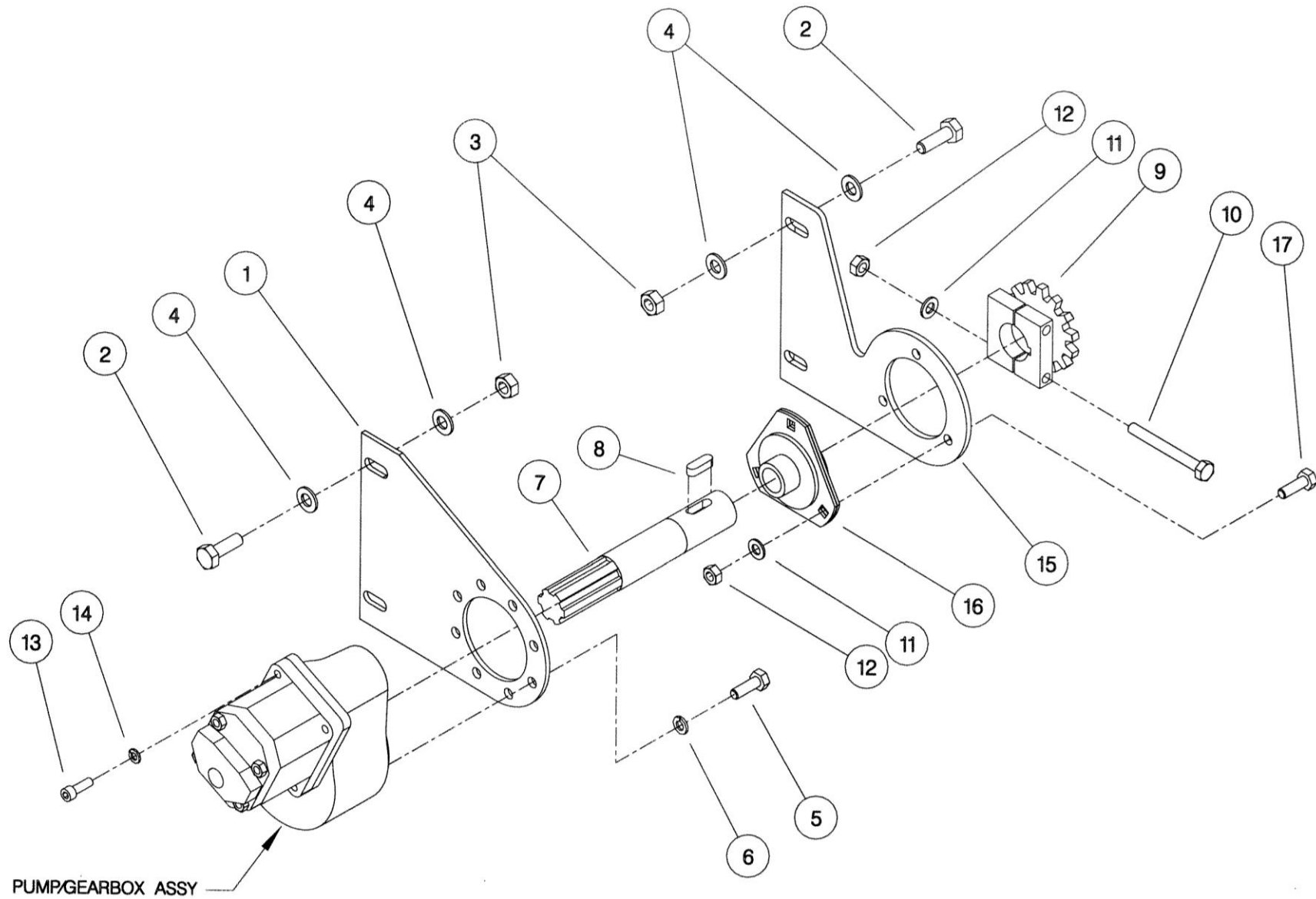
ASSY NUMBER:KIT-00213				ASSY DESCRIPTION: DRIVE SUPPORT BRACKET KIT			
ITEM	PART NUMBER	DESCRIPPTION	QTY	ITEM	PART NUMBER	DESCRIPTION	QTY
1	200201 01	MOUNTING BRACKET	1				
2	HSS-0188	SCREW	4				
3	WSH-0061	WASHER	4				
4	200207 01	SUPPORT BRACKET	1				
5	HSS-0152	SCREW	2				
6	WSH-0012	WASHER	2				
7	WSH-0058	WASHER	2				
8	NUT-0263	NUT	2				
9	200202 01	TORQUE ARM ASSY.	1				
10	BSHY01700	ROD END ASSY	1				
11	NUT-0380	HALF NUT	1				
12	PIN-01790	LYNCH PIN	1				
13	BLT-2312	BOLT	1				
14	200236 01	SPACER TUBE	2				
15	NUT-0271	NUT	3				
16	200222 01	PIN	1				
17	HSS-0235	SCREW	1			NH TX36	
18	190119 04	WASHER	1				
19	WSH-0065	WASHER	1				
20	SCW-0139	SCREW	2				

Shelbourne Reynolds Engineering Limited



Shelbourne Reynolds Engineering Limited

ASSY NUMBER:KIT-00214				ASSY DESCRIPTION: DRIVE SUPPORT BRACKET KIT			
ITEM	PART NUMBER	DESCRIPPTION	QTY	ITEM	PART NUMBER	DESCRIPTION	QTY
1	200241 01	FIXING PLATE	1				
2	HSS-0238	SET SCREW	4				
3	NUT-0269	NYLOC NUT	4				
4	WSH-0018	PLAIN WASHER	8				
5	HSS-0188	SET SCREW	4				
6	WSH-0061	SPRING WASHER	4				
7	200242 01	INPUT SHAFT	1				
8	K1008030	KEY	1				
9	131079	COUPLING	1				
10	BLT-2209	BOLT	2				
11	WSH-0015	PLAIN WASHER	5				
12	NUT-0265	NYLOC NUT	5				
13	SCW-0139	SCREW	2				
14	WSH-0058	SPRING WASHER	2				
15	200290 01	BEARING PLATE	1				
16	BRG-3220	BEARING	1				
17	HSS-0191	SETSCREW	3				

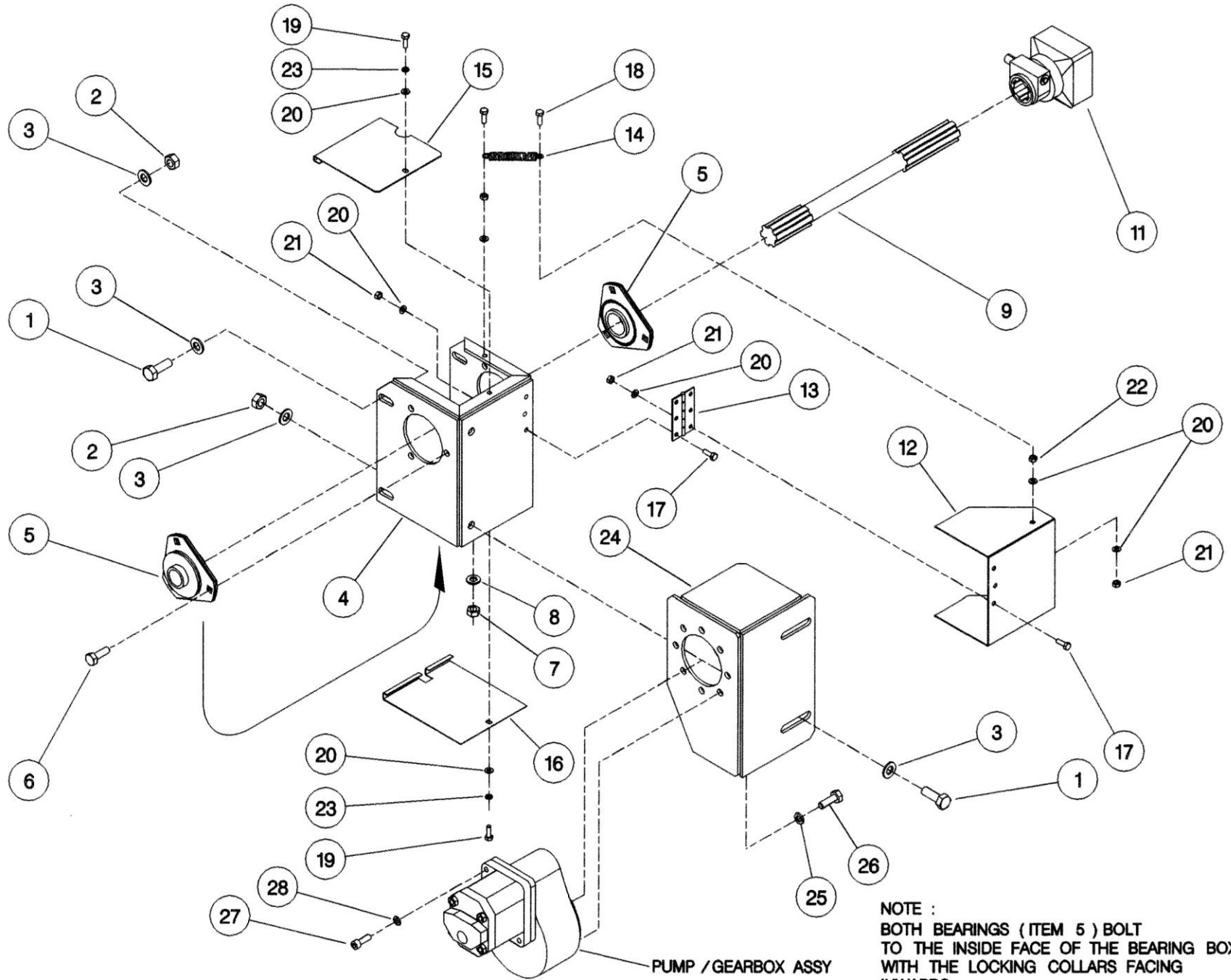


KIT-00214

Shelbourne Reynolds Engineering Limited

ASSY NUMBER:KIT-00215				ASSY DESCRIPTION: DRIVE SUPPORT BRACKET KIT			
ITEM	PART NUMBER	DESCRIPPTION	QTY	ITEM	PART NUMBER	DESCRIPTION	QTY
1	HSS-0238	SET SCREW	6				
2	NUT-0269	NYLOC NUT	6				
3	WSH-0018	PLAIN WASHER	12				
4	191148 04	BEARING BOX	1				
5	BRG-3220	BEARING	2				
6	HSS-0191	SET SCREW	6				
7	NUT-0265	NYLOC NUT	6				
8	WSH-0015	PLAIN WASHER	6				
9	200240 01	INPUT SHAFT	1				
10							
11	190597 01	DRIVE COUPLING	1				
12	190938 01	COUPLING COVER	1				
13	HIN-0100	HINGE	1				
14	SPG-0005	SPRING	1				
15	191378 01	COVER PLATE	1				
16	191379 01	COVER PLATE	1				
17	HSS-0082	SET SCREW	6				
18	HSS-0086	SET SCREW	2				
19	HSS-0084	SET SCREW	2				
20	WSH-0009	PLAIN WASHER	12				
21	NUT-0260	NYLOC NUT	8				
22	NUT-0160	PLAIN NUT	2				
23	WSH-0056	SPRING WASHER	2				
24	200237 01	MOUNTING BRACKET	1				
25	HSS-0188	SET SCREW	4				
26	WSH-0061	SPRING WASHER	4				
27	SCW-0139	SCREW	2				
28	WSH-0058	SPRING WASHER	2				

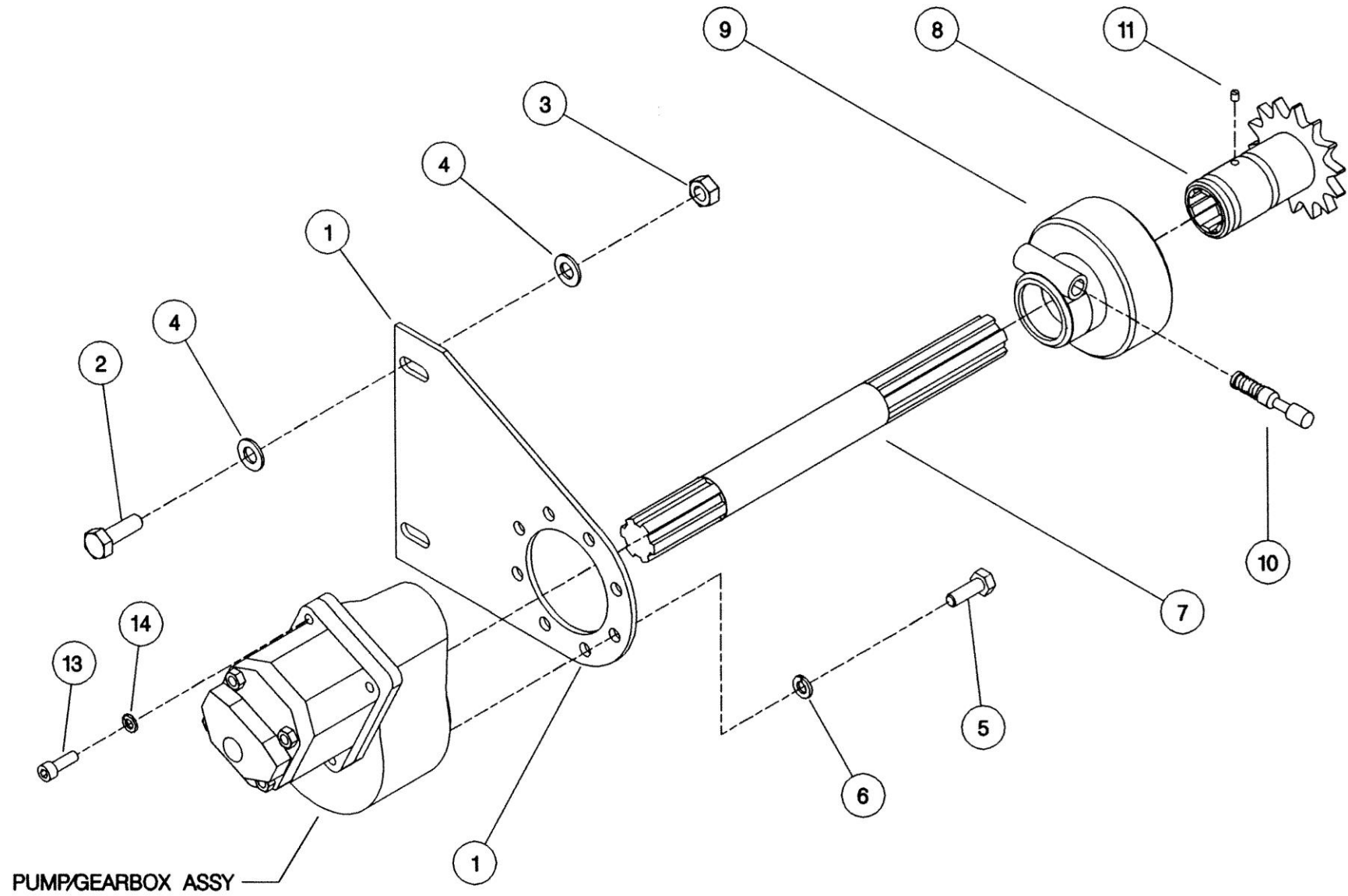
Shelbourne Reynolds Engineering Limited



NOTE :
 BOTH BEARINGS (ITEM 5) BOLT
 TO THE INSIDE FACE OF THE BEARING BOX,
 WITH THE LOCKING COLLARS FACING
 INWARDS.

Shelbourne Reynolds Engineering Limited

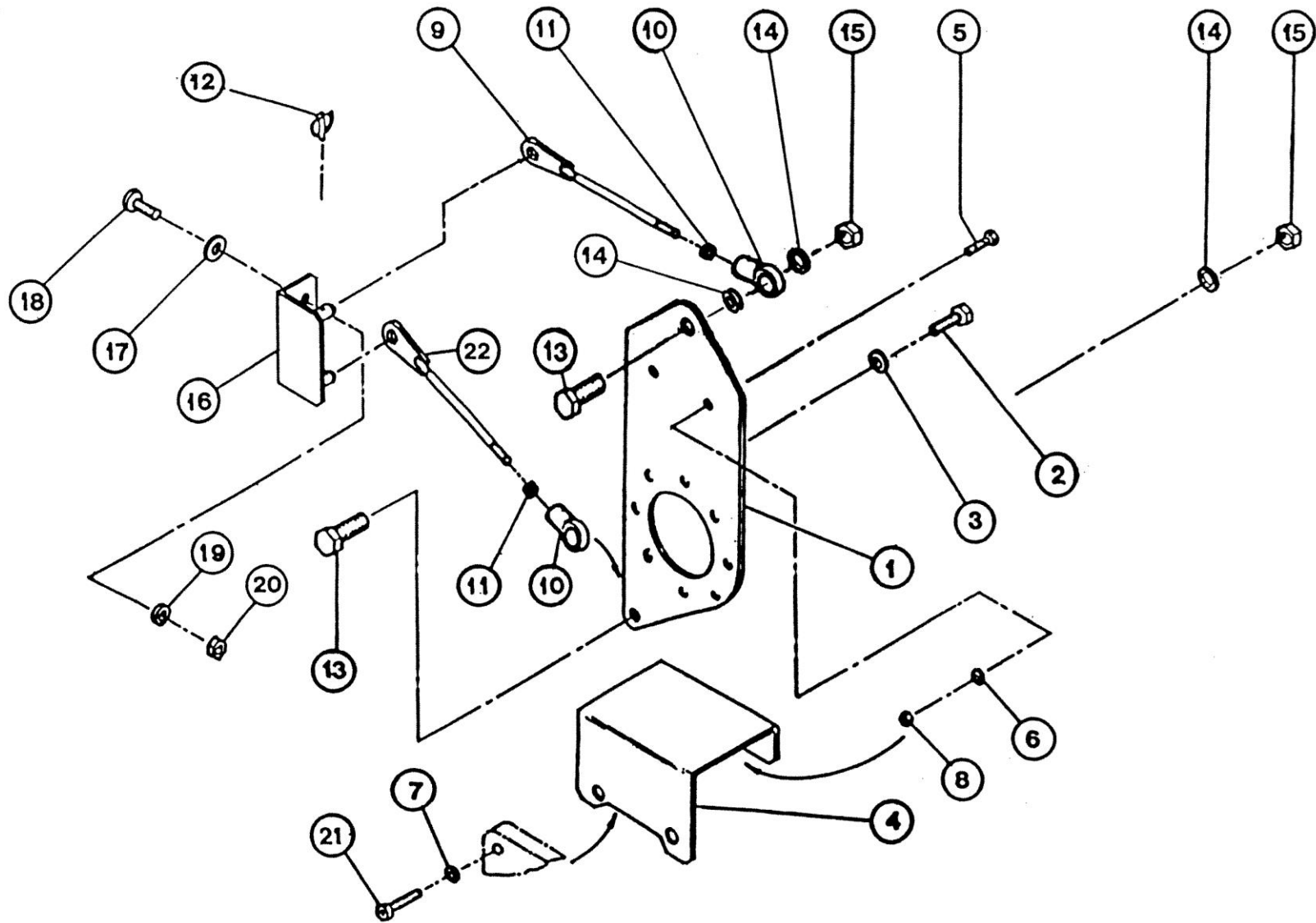
ASSY NUMBER:KIT-00216				ASSY DESCRIPTION: DRIVE SUPPORT BRACKET KIT			
ITEM	PART NUMBER	DESCRIPPTION	QTY	ITEM	PART NUMBER	DESCRIPTION	QTY
1	200241 01	FIXING PLATE	1				
2	HSS-0238	SET SCREW	2				
3	NUT-0269	NYLOC NUT	2				
4	WSH-0018	PLAIN WASHER	4				
5	HSS-0188	SET SCREW	4				
6	WSH-0061	SPRING WASHER	4				
7	200246 01	SHAFT	1				
8	191602 01	HUB & SPROCKET	1				
9	191599 01	DRIVE GUARD	1				
10	PIN-4600	SELF LOCK.PIN ASSY	1				
11	SCW-4530	GRUB SCREW	1				
12							
13	SCW-0139	SCREW	2				
14	WSH-0058	SPRING WASHER	2				



Shelbourne Reynolds Engineering Limited

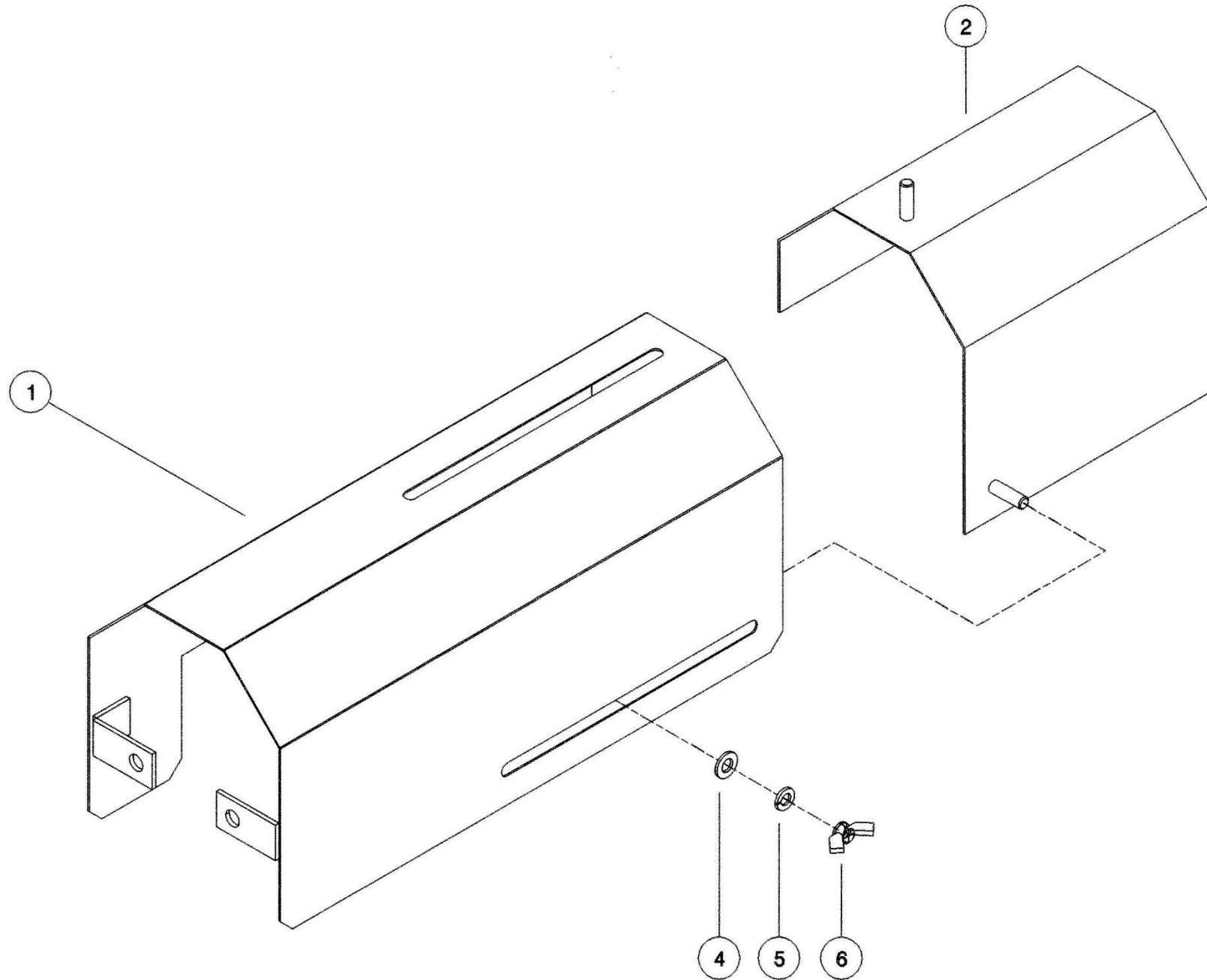
ASSY NUMBER:KIT-00218				ASSY DESCRIPTION: DRIVE SUPPORT BRACKET KIT			
ITEM	PART NUMBER	DESCRIPPTION	QTY	ITEM	PART NUMBER	DESCRIPTION	QTY
1	200201 01	MOUNTING BRACKET	1				
2	HSS-0188	SCREW	4				
3	WSH-0061	WASHER	4				
4	200207 01	SUPPORT BRACKET	1				
5	HSS-0152	SCREW	2				
6	WSH-0012	WASHER	2				
7	WSH-0058	WASHER	2				
8	NUT-0263	NUT	2				
9	200202 13	TORQUE ARM ASSY (SHORT)	1				
10	BSHY01700	ROD END ASSY	2				
11	NUT-0380	HALF NUT	2				
12	PIN-01790	LYNCH PIN	2				
13	BLT-2312	BOLT	2				
14	200236 01	SPACER TUBE	4				
15	NUT-0271	NUT	2				
16	200230 01	TORQUE ARM BRACKET	1				
17	190119 11	WASHER	2			CASE IH FITTED WITH FIELD	
18	SCW-0516	SCREW	2			TRACKER	
19	WSH-0015	WASHER	2				
20	NUT-0265	NUT	2				
21	SCW-0139	SCREW	2				
22	200202 12	TORQUE ARM ASSY (LONG)	1				

Shelbourne Reynolds Engineering Limited



Shelbourne Reynolds Engineering Limited

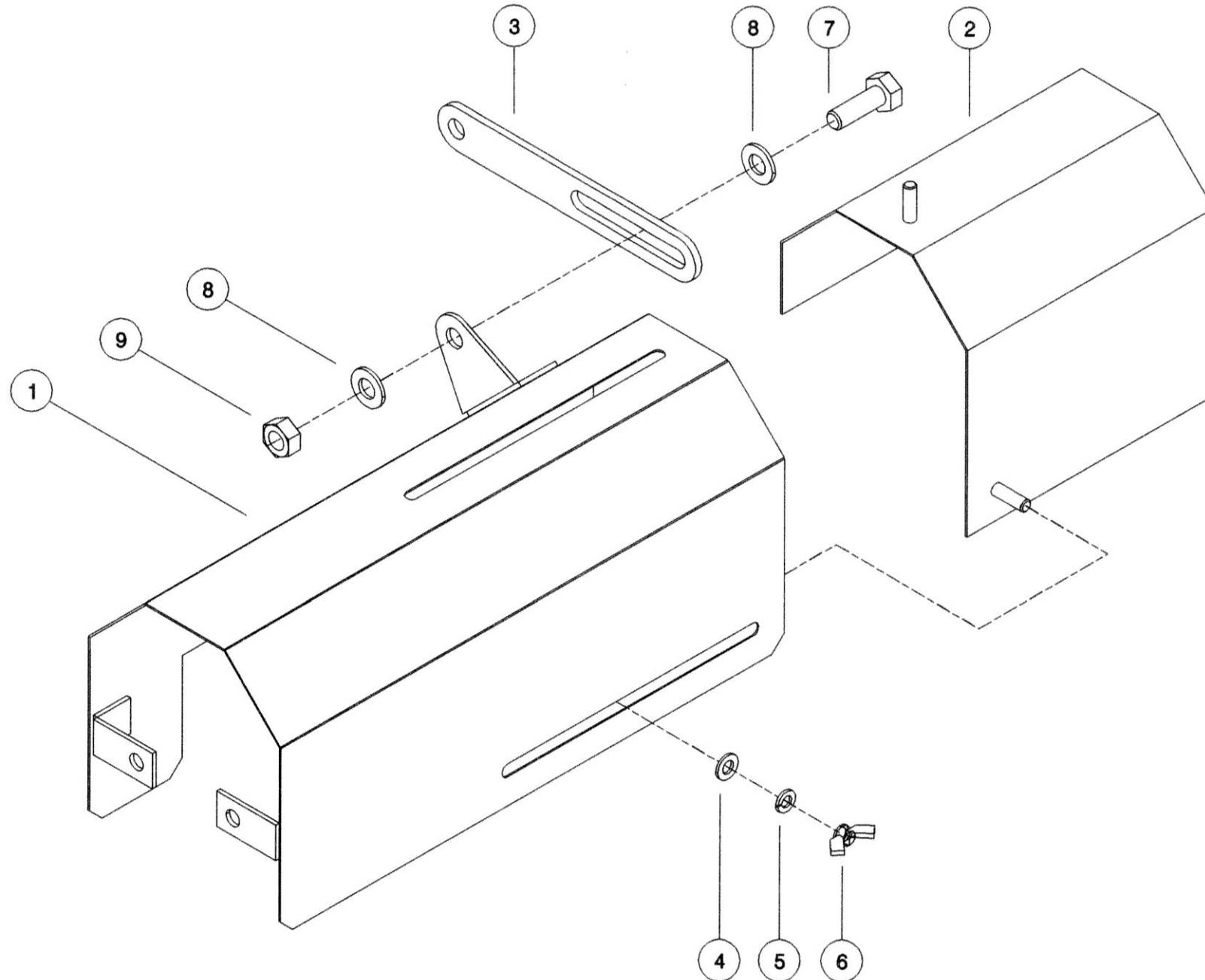
ASSY NUMBER:KIT-00520				ASSY DESCRIPTION: REAR GUARD KIT			
ITEM	PART NUMBER	DESCRIPPTION	QTY	ITEM	PART NUMBER	DESCRIPTION	QTY
1	200233 01	FIXED GUARD	1				
2	200235 01	SLIDING GUARD	1				
3							
4	WSH-0012	PLAIN WASHER	2				
5	WSH-0058	SPRING WASHER	2				
6	NUT-0209	WING NUT	2				



Shelbourne Reynolds Engineering Limited

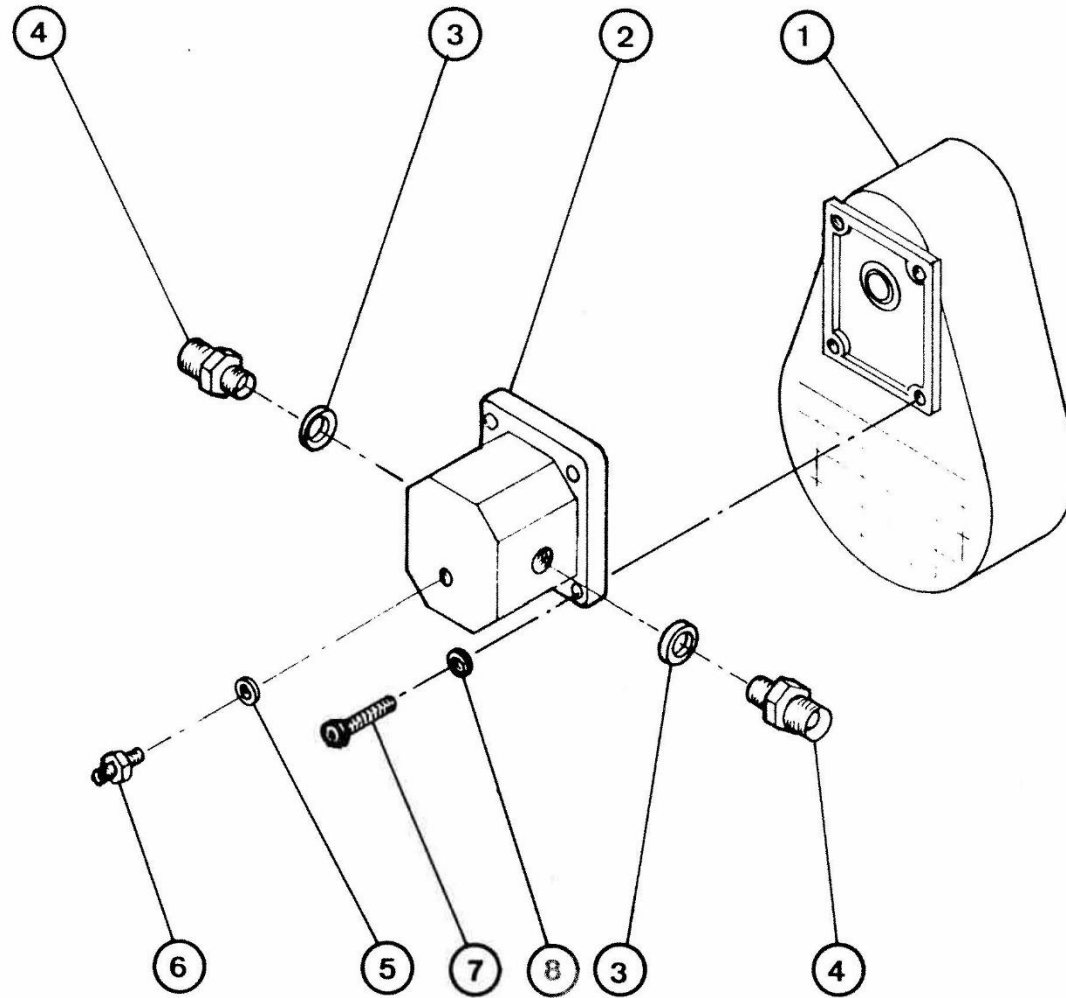
ASSY NUMBER:KIT-00526				ASSY DESCRIPTION: REAR GUARD KIT			
ITEM	PART NUMBER	DESCRIPPTION	QTY	ITEM	PART NUMBER	DESCRIPTION	QTY
1	200252 01	FIXED GUARD	1				
2	200235 01	SLIDING GUARD	1				
3	191915 01	STRAP	1				
4	WSH-0012	PLAIN WASHER	2				
5	WSH-0058	SPRING WASHER	2				
6	NUT-0209	WING NUT	2				
7	HSS-0238	SET SCREW	2				
8	WSH-0018	PLAIN WASHER	4				
9	NUT-0269	NYLOC NUT	2				

Shelbourne Reynolds Engineering Limited



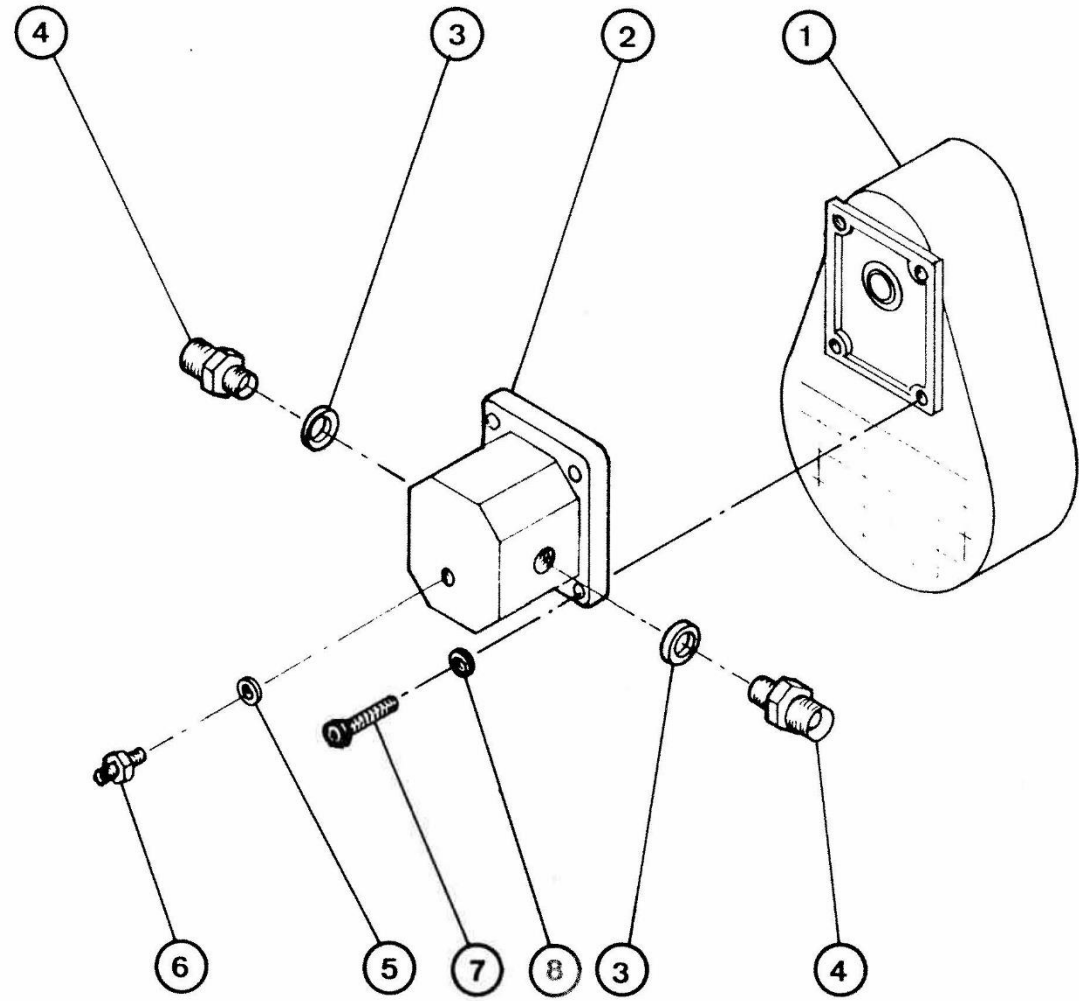
Shelbourne Reynolds Engineering Limited

ASSY NUMBER:KIT-02403				ASSY DESCRIPTION: HYD.PUMP & GEARBOX ASSY			
ITEM	PART NUMBER	DESCRIPPTION	QTY	ITEM	PART NUMBER	DESCRIPTION	QTY
1	GEA-0021	GEARBOX	1				
2	PUM100180	HYD.PUMP	1				
3	WSH-1020	DOWTY WASHER	2				
4	HMA-0075	FITTING	2				
5	WSH-1005	DOWTY WASHER	1				
6	HMA-0052	FITTING	1				
7	SCW-0136	SCREW	2				
8	WSH-0058	SPRING WASHER	2				
						IHC 1660/1680/NH(PTO)/J.D. 2058LL & HM J.D.2066LL & HM	



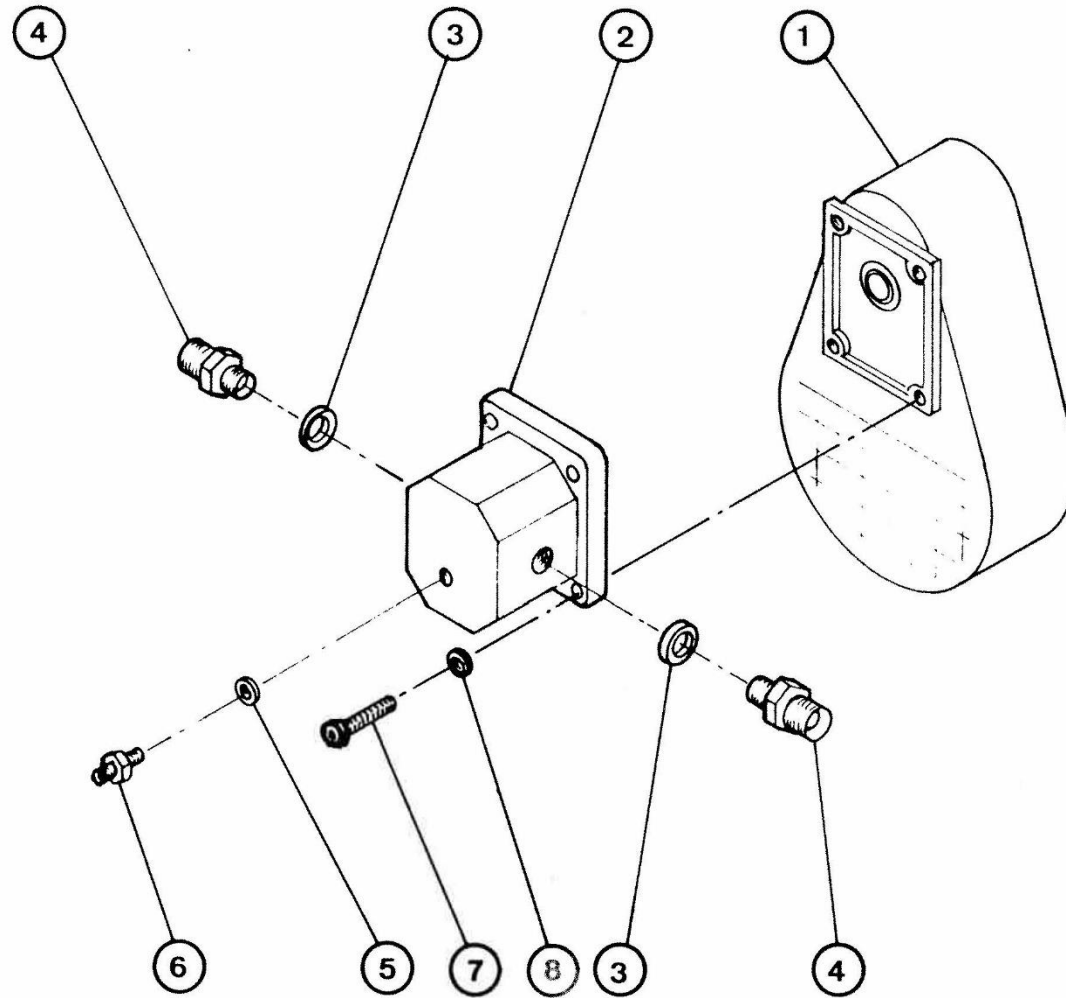
Shelbourne Reynolds Engineering Limited

ASSY NUMBER:KIT-02404				ASSY DESCRIPTION: HYD.PUMP & GEARBOX ASSY			
ITEM	PART NUMBER	DESCRIPPTION	QTY	ITEM	PART NUMBER	DESCRIPTION	QTY
1	GEA-0021	GEARBOX	1				
2	PUM100110	HYD.PUMP	1				
3	WSH-1020	DOWTY WASHER	2				
4	HMA-0075	FITTING	2				
5	WSH-1005	DOWTY WASHER	1				
6	HMA-0052	FITTING	1				
7	SCW-0136	SCREW	2				
8	WSH-0058	SPRING WASHER	2				
						CLAAS	



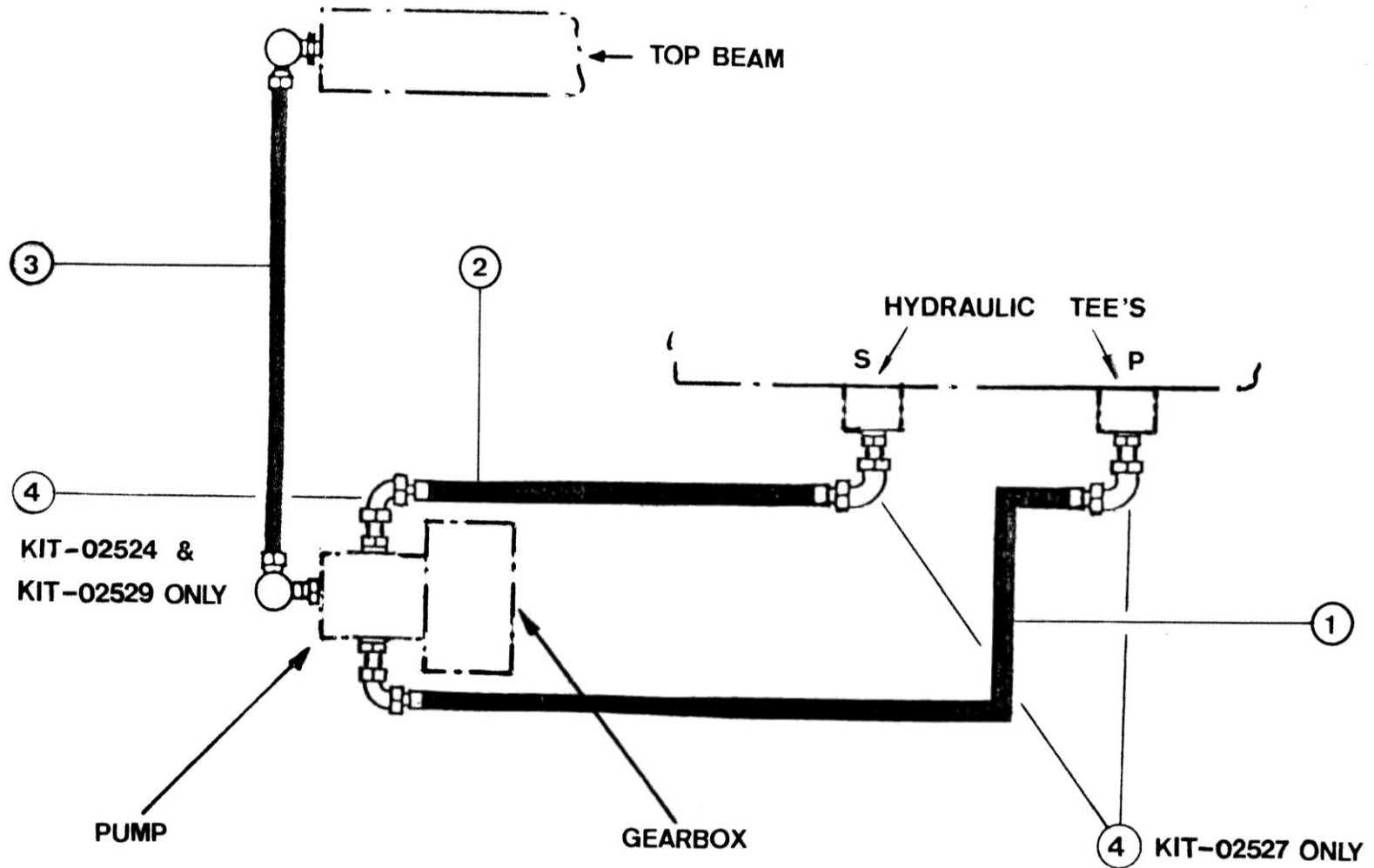
Shelbourne Reynolds Engineering Limited

ASSY NUMBER:KIT-02405				ASSY DESCRIPTION: HYD.PUMP & GEARBOX ASSY			
ITEM	PART NUMBER	DESCRIPPTION	QTY	ITEM	PART NUMBER	DESCRIPTION	QTY
1	GEA-0021	GEARBOX	1				
2	PUM100230	HYD.PUMP	1				
3	WSH-1020	DOWTY WASHER	2				
4	HMA-0075	FITTING	2				
5	WSH-1005	DOWTY WASHER	1				
6	HMA-0052	FITTING	1				
7	SCW-0136	SCREW	2				
8	WSH-0058	SPRING WASHER	2			MF 34 & 38 DRIVE	



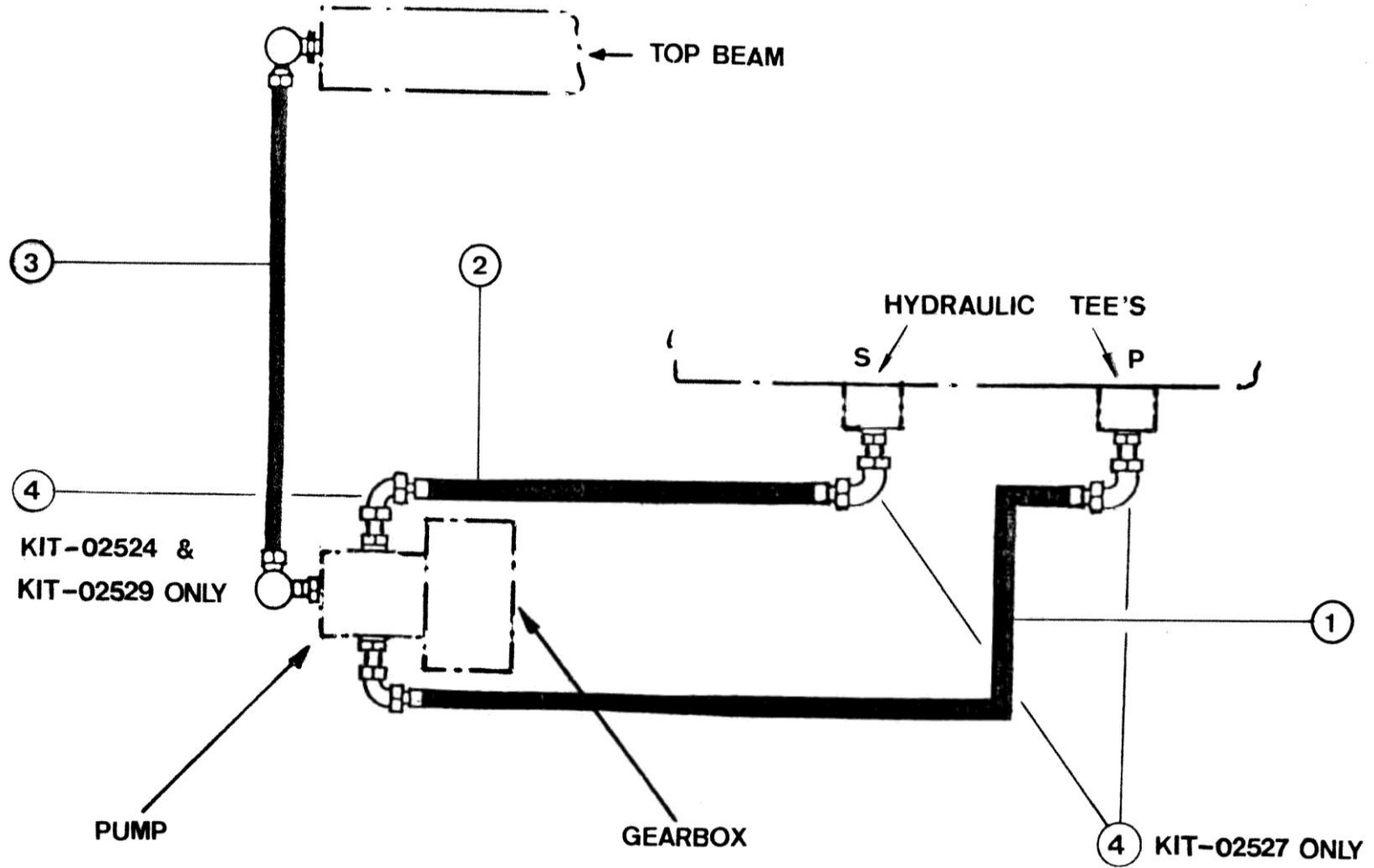
Shelbourne Reynolds Engineering Limited

ASSY NUMBER:KIT-02523				ASSY DESCRIPTION: HYD.HOSE KIT			
ITEM	PART NUMBER	DESCRIPPTION	QTY	ITEM	PART NUMBER	DESCRIPTION	QTY
1	HHEI08305	HOSE	1				
2	HHEI06805	HOSE	1			IHC1660/1680/CLAAS/NH(PTO)	
3	HHEC10505	HOSE	1			J.D.2058LL & HM/2066LL & HM	



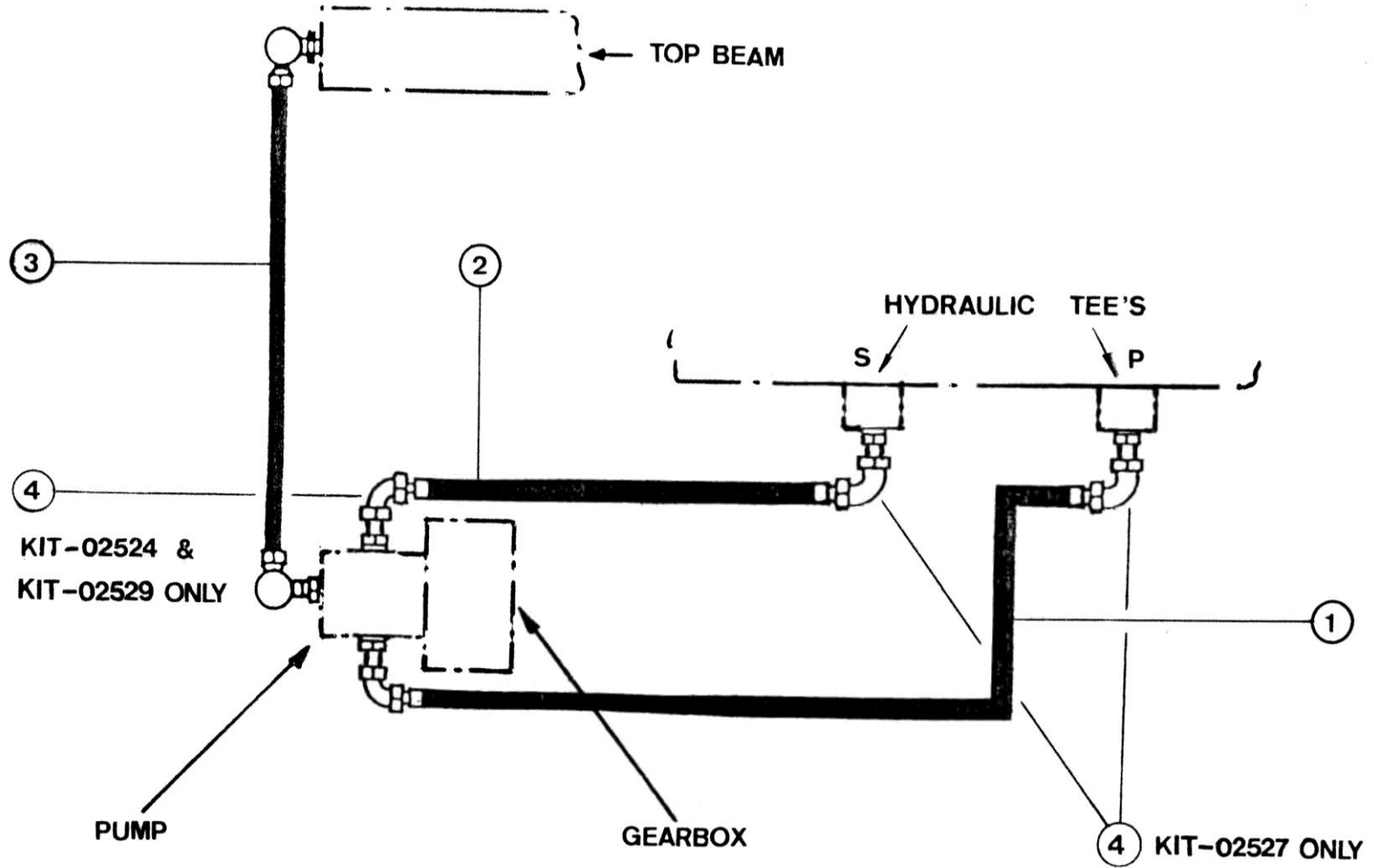
Shelbourne Reynolds Engineering Limited

ASSY NUMBER:KIT-02524				ASSY DESCRIPTION: HYD.HOSE KIT			
ITEM	PART NUMBER	DESCRIPPTION	QTY	ITEM	PART NUMBER	DESCRIPTION	QTY
1	HHEI05805	HOSE	1				
2	HHBI04505	HOSE	1			J.D.8820 (USA)	
3	HHEC10505	HOSE	1				
4	FIT-0547	90 DEG.ELBOW	1				



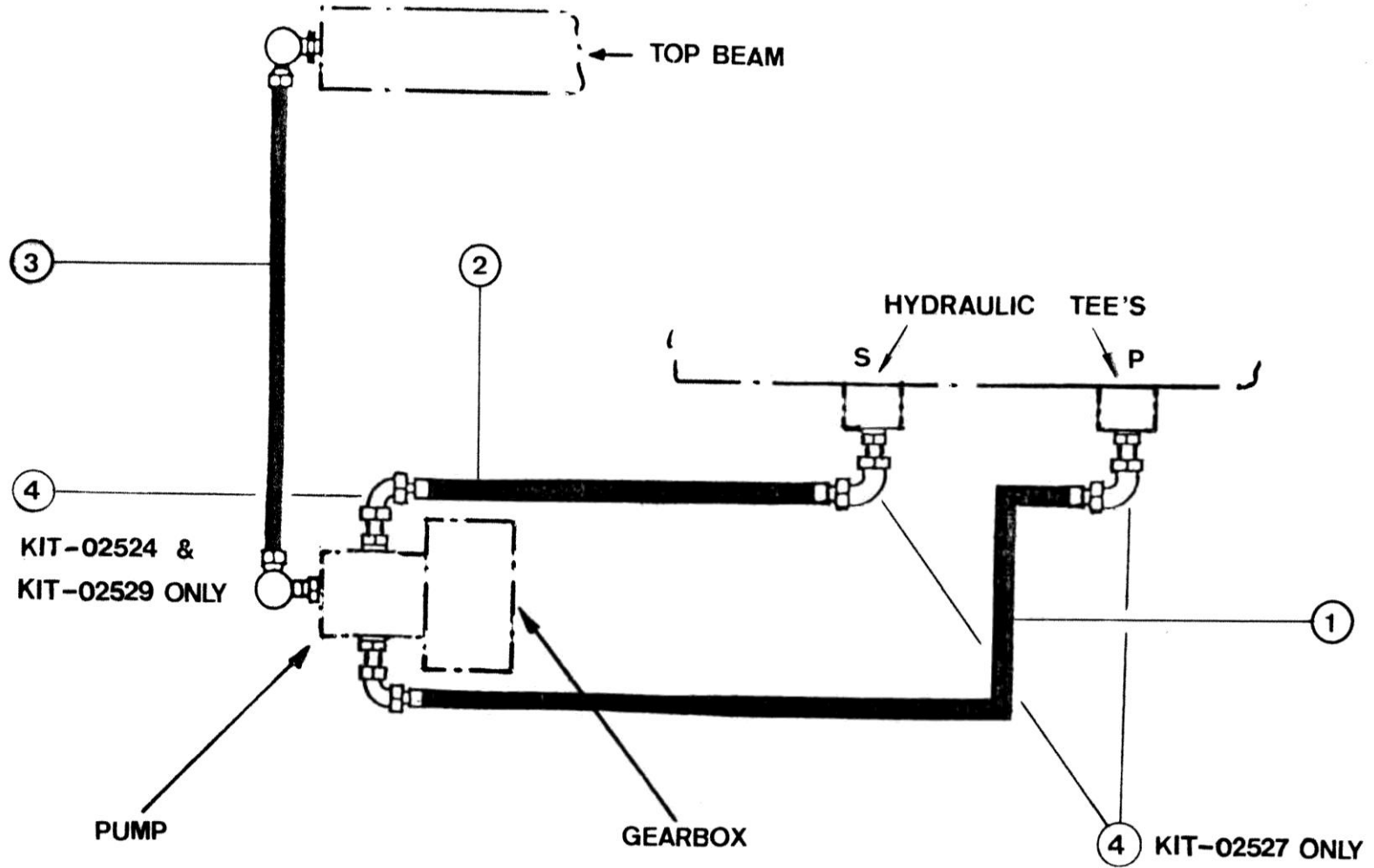
Shelbourne Reynolds Engineering Limited

ASSY NUMBER:KIT-02525				ASSY DESCRIPTION: HYD.HOSE KIT			
ITEM	PART NUMBER	DESCRIPPTION	QTY	ITEM	PART NUMBER	DESCRIPTION	QTY
1	HHEI08305	HOSE	1				
2	HHEI08005	HOSE	1				
3	HHEC10505	HOSE	1				



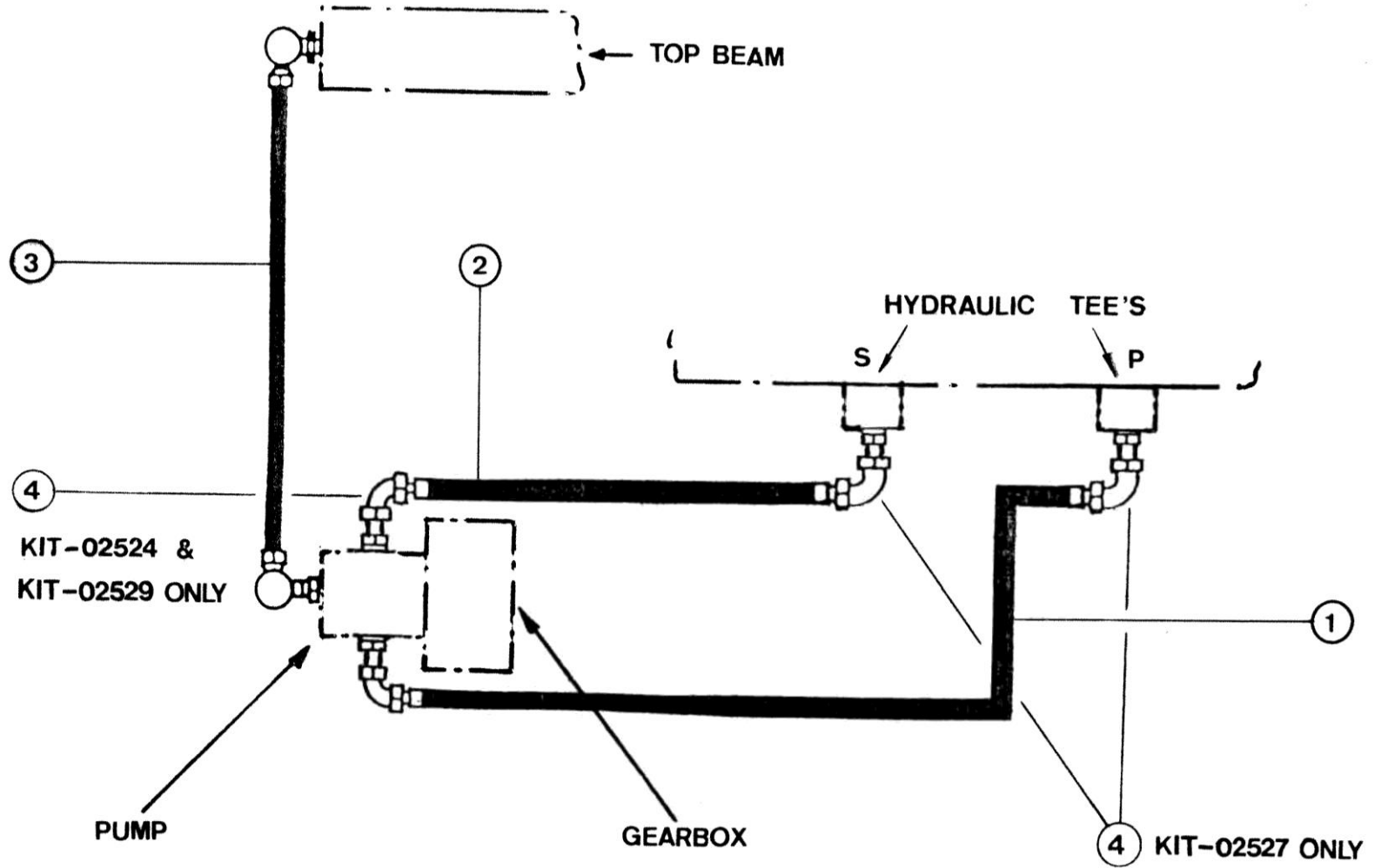
Shelbourne Reynolds Engineering Limited

ASSY NUMBER:KIT-02526				ASSY DESCRIPTION: HYD.HOSE KIT			
ITEM	PART NUMBER	DESCRIPPTION	QTY	ITEM	PART NUMBER	DESCRIPTION	QTY
1	HHEI07105	HOSE	1				
2	HHEI08005	HOSE	1				
3	HHEC10505	HOSE	1				



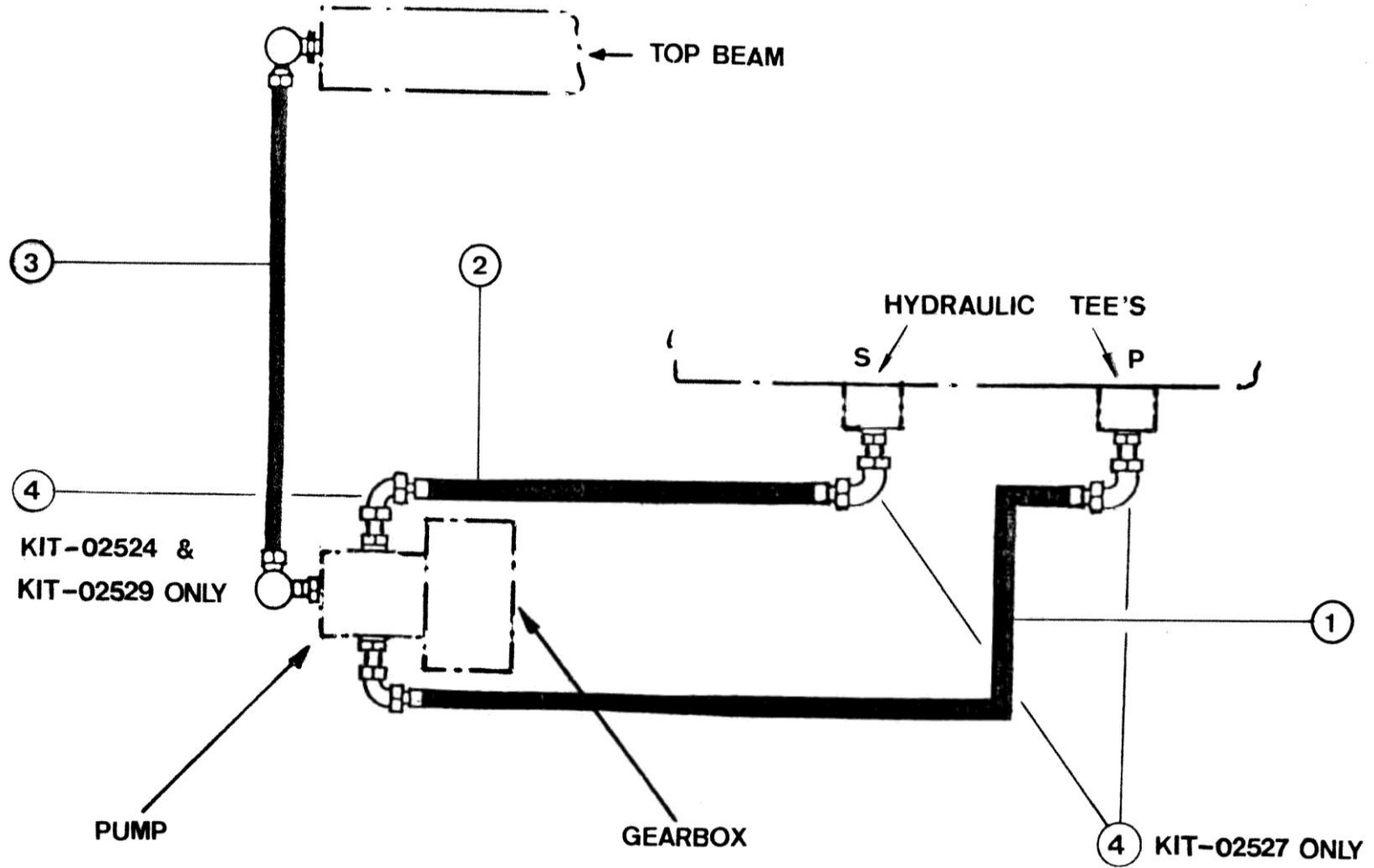
Shelbourne Reynolds Engineering Limited

ASSY NUMBER:KIT-02527				ASSY DESCRIPTION: HYD.HOSE KIT			
ITEM	PART NUMBER	DESCRIPPTION	QTY	ITEM	PART NUMBER	DESCRIPTION	QTY
1	HHBI07105	HOSE	1				
2	HHBI06505	HOSE	1				
3	HHEC10505	HOSE	1				
4	FIT-0547	90DEG ELBOW	2				



Shelbourne Reynolds Engineering Limited

ASSY NUMBER:KIT-02528				ASSY DESCRIPTION: HYD.HOSE KIT			
ITEM	PART NUMBER	DESCRIPPTION	QTY	ITEM	PART NUMBER	DESCRIPTION	QTY
1	HHEI11005	HOSE	1				
2	HHEI11005	HOSE	1				
3	HHEC10505	HOSE	1				



Shelbourne Reynolds Engineering Limited

ASSY NUMBER:KIT-02529				ASSY DESCRIPTION: HYD.HOSE KIT			
ITEM	PART NUMBER	DESCRIPPTION	QTY	ITEM	PART NUMBER	DESCRIPTION	QTY
1	HHEI07105	HOSE	1				
2	HHBI08005	HOSE	1				
3	HHEC10505	HOSE	1				
4	FIT-0547	90DEG. ELBOW	1				

