

Shelbourne
REYNOLDS

XCS 42

Parts Manual 2025 & On



STRIPPER HEADER

www.shelbourne.com



IMPORTANT

Your Stripper Header is made up of a Machine assembly number (common parts), specific sub assemblies and also customer optional build kits. The machine, sub assemblies and optional kit numbers are listed in the front pages of your Operators manual. If you do not have these numbers please contact Shelbourne Reynolds Parts Department direct on (telephone) Stanton - (01359) 251231 or Colby - (785) 462 6299.

To ensure that you order the correct part from your SRE dealer please use the following procedure.

Always quote the machine and serial numbers when ordering.

The year and/or serial number of the machine may determine the correct sub assembly.

Refer to the Parts Manuals front page/s, listing the machine assemblies. Select the correct machine assembly number which is printed in the top left corner of the page (starting with 1965_ _ 01), This machine number can also be taken from the Stripper Header identification plate located on the rear left hand corner of the machine.

On this page you will find the parts listing for the common parts for every configuration of that machine assembly number. You will find the corresponding drawing by either looking at the facing page or progressing through the manual to the next drawing. The drawings indicate the components by item numbers, which you will find, are repeated in the left-hand side of your parts listing, and therefore referring to the correct part.

Note all parts will not be found listed below the machine number. Other parts will be from specific sub assemblies and optional kits. These sub assemblies and kits will be found in numerical order further through the manual. Sub assemblies start with 1960_ _ 01 and kits start with KIT- 19 _ _ _.

The parts listing for adaptor plates, drive kits and hydraulic couplings can be found in the following manuals;

Drive & Adaptor Plate Manuals

Massey Ferguson	MAN-03172	Case IH	MAN-03178
Claas/Cat	MAN-03173	Gleaner/Challenger	MAN-03177
John Deere	MAN-03174	Laverda	MAN-03176
New Holland	MAN-03175		



Scan me to find more support manuals online

List Of Kit Numbers

196579 42	Shelbourne Header	1
196143 42	Lights Sub Assembly	3
196193 42	Hydraulics Sub Assembly	5
196253 04	Stripping Rotor Assembly LH	7
196254 04	Stripping Rotor Assembly RH	9
196255 04	Stripping Rotor Assembly Centre	11
196258 01	Rotor Mounting Sub Assembly	13
196279 42	Hood Sub Assembly	16
196284 01	Emblems And Guards Sub Assembly	20
196285 42	Auger Assembly	23
196289 01	Divider Sub Assembly	27
196290 42	Frame And Parts Sub Assembly	30
196331 42	Crop Deflector Sub Assembly	35
196334 42	Rear Drive Shaft Sub Assembly	37
196343 01	HTD Drive Assembly	39
GEA-0067	Input Gearbox	41
KIT-00112	Idler Assembly Kit	43
KIT-00123	Auger Slip Clutch	45
KIT-00931	PTO Support Kit	47
KIT-00976	Ball Joint Centre Coupling Kit	49
KIT-00976A	Ball Joint Centre Coupling Kit	51
KIT-01336	Spare Pulley Mounting	53
KIT-01414	Safety Decal Kit (N America)	55
KIT-01417	CE Area Kit	57
KIT-01485	Safety Decal Kit ISO	59
KIT-19006	Skid Kit	61
KIT-19039	Gauge Wheel Kit	63
KIT-19040	Ball Joint Coupling	65
KIT-19114	Stainless Skid Cover Kit	67
PTO-260**	Stripper PTO And Parts	69
RDS-0003	Combine Monitor Kit	71
RDS-0007	Header Monitor Loom Kit	71

Drives 74

196549 128	CNH Drive Kit	75
196549 168	AGCO Drive Kit	77
196549 178	John Deere Drive Kit	79
196549 188	Claas Lexion Drive Kit	81

Hydraulics 84

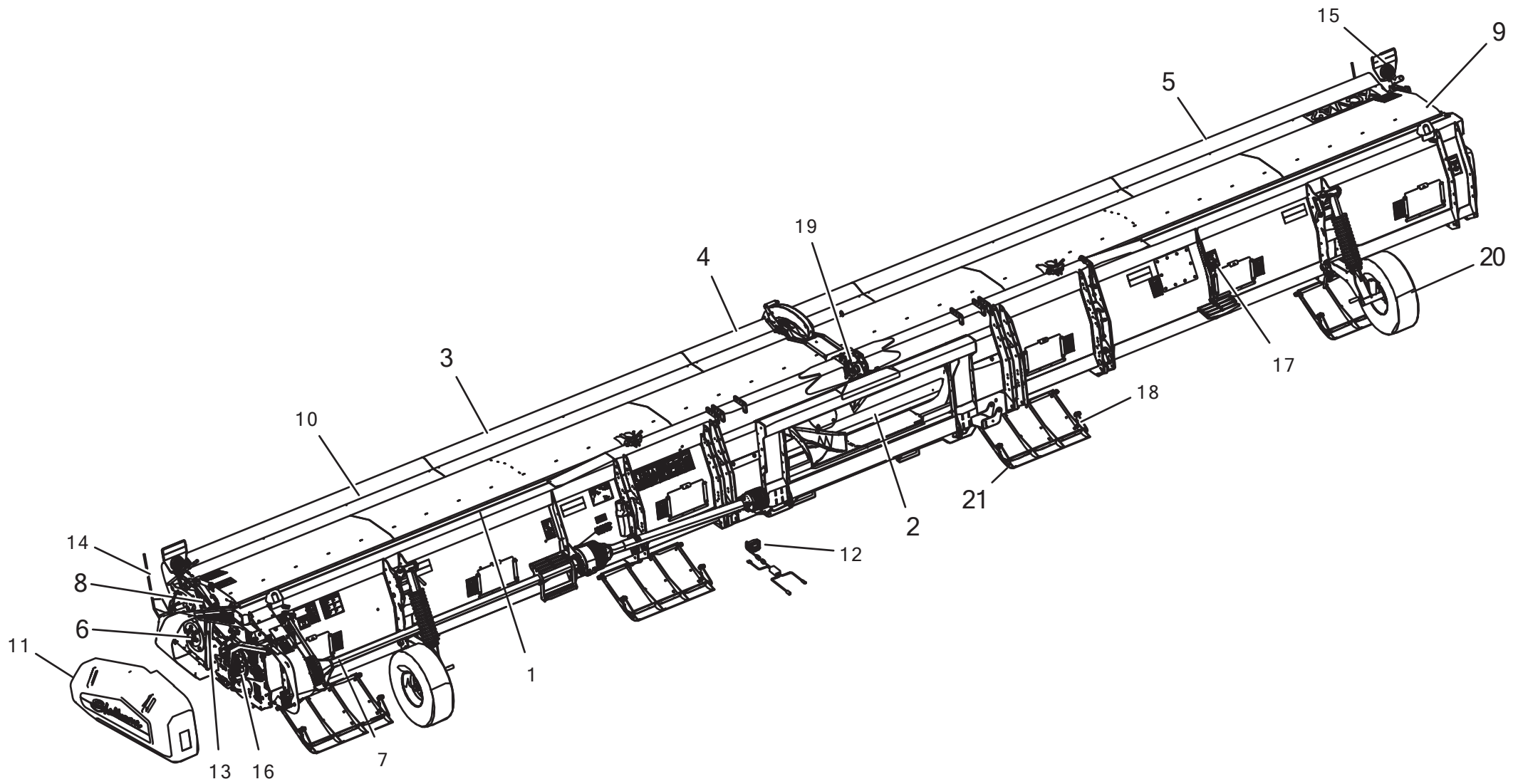
KIT-01726	CNH Hydraulic Multicoupler Kit	85
KIT-01731	AGCO Hydraulic Multicoupler Kit	87
KIT-01732	Claas Lexion Hydraulic Multicoupler Kit	89
KIT-01733	John Deere S Series Variable Hydraulic Kit	91
KIT-01735	AGCO Ideal Hydraulic Multicoupler Kit	93

Adaptor Plates 98

KIT-19001	Spring Tilt Kit	99
KIT-19002	John Deere Adaptor Plate	101
KIT-19003	Claas Lexion Adaptor Plate Kit	103
KIT-19013	Tilting Adaptor Plate Kit	105
KIT-19017	Gleaner Fill In Plate Kit	107
KIT-19026	CNH Adaptor Plate Hook And Bracket Assembly	109
KIT-19046	AGCO Adaptor Plate	111
KIT-19049	AGCO Ideal Mounting Kit	113
KIT-19102	CNH Adaptor Plate	115
KIT-19109	John Deere X9 Adaptor Plate	117

Shelbourne Reynolds Engineering Limited

ASSY NUMBER: 196579 42				ASSY DESCRIPTION: EXCEL 42 SHELBOURNE HEADER			
ITEM	PART NO	DESCRIPTION	QTY	ITEM	PART NO	DESCRIPTION	QTY
1	196290 42	FRAME & PARTS SUB ASSY	1	17	KIT-01414	SAFETY DECAL KIT (N AMERICA)	1
2	196285 42	AUGER ASSY (OFFSET)	1	OR	KIT-01485	SAFETY DECAL KIT (REST OF WORLD)	1
3	196253 04	STRIPPING ROTOR ASSY 4.2m LH	1	18	KIT-19006	SKID KIT	1
4	196255 04	STRIPPING ROTOR ASSY 4.2m CTR	1	19	KIT-19013	TILTING ADAPTOR PLATE KIT	1
5	196254 04	STRIPPING ROTOR ASSY 4.2m RH	1	20	KIT-19039	GAUGE WHEEL KIT	1
6	196258 01	ROTOR MOUNTING SUB	1	21	KIT-19114	STAINLESS SKID COVER KIT	1
7	196334 42	REAR DRIVE SHAFT SUB	1				
8	196193 42	HYDRAULICS SUB ASSY	1				
9	196279 42	HOOD SUB ASSY	1				
10	196331 42	CROP DEFLECTOR SUB (ONE PIECE)	1				
11	196366 01	EMBLEM & GUARD SUB (XCV)	1				
OR	196284 01	EMBLEM & GUARD SUB (XCS)	1				
12	RDS-0007	HEADER MONITOR LOOM KIT	1				
13	RDS-0002	COMBINE MONITOR KIT (XCV)	1				
OR	RDS-0003	COMBINE MONITOR KIT (XCS)	1				
14	196289 01	DIVIDER SUB	1				
15	196143 42	HEADER LIGHTS SUB (USA ONLY)	1				
16	196351 01	VS DRIVE ASSY (XCV)	1				
OR	196343 01	HTD DRIVE ASSY (XCS)	1				

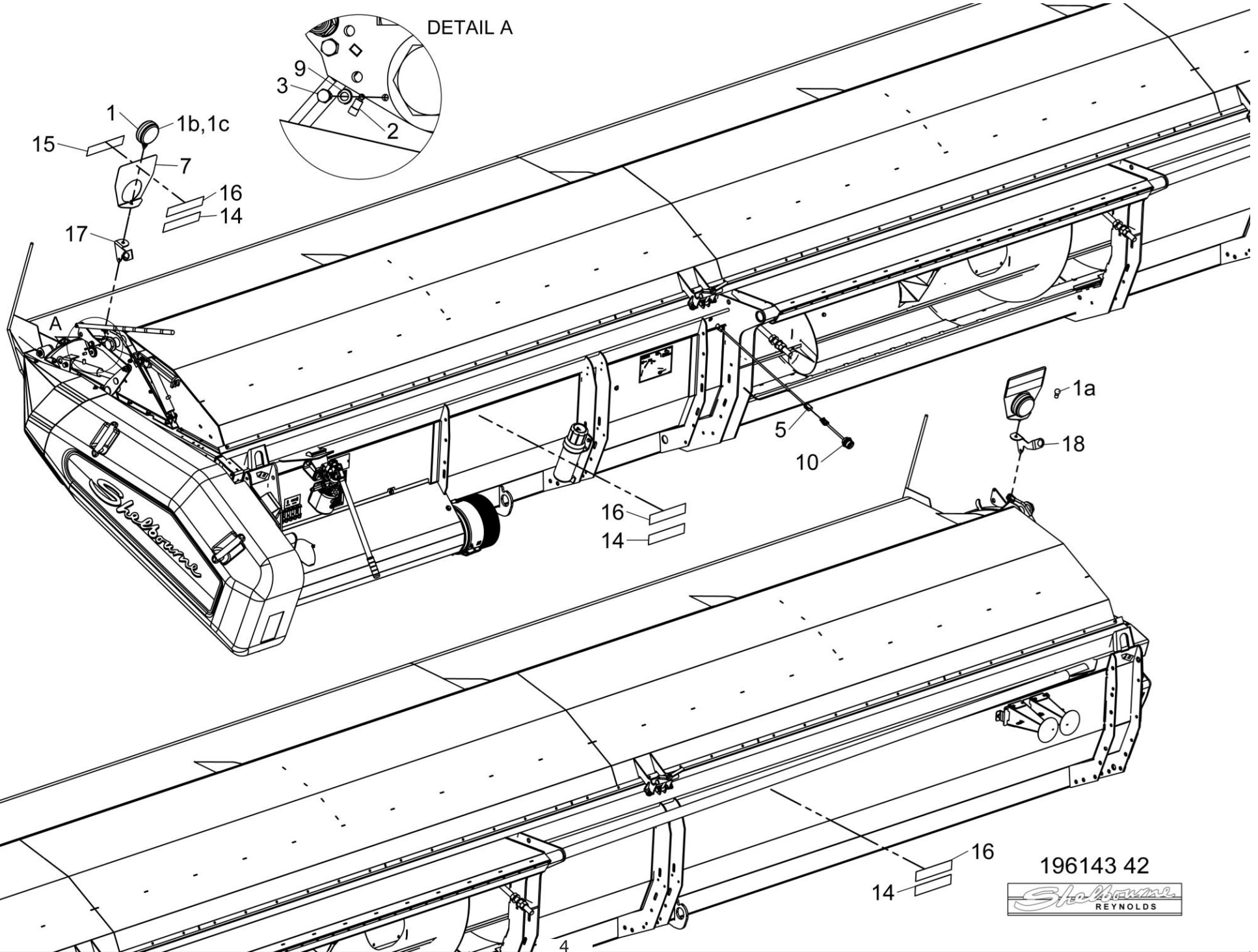
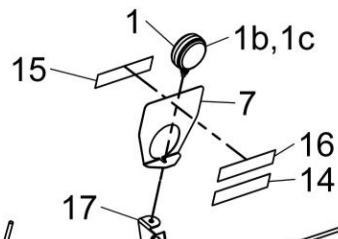
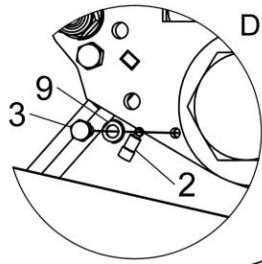


Shelbourne Reynolds Engineering Limited

ASSY NUMBER: 196143 42				ASSY DESCRIPTION: HEADER LIGHTS SUB EXCEL 36-42			
ITEM	PART NO	DESCRIPTION	QTY	ITEM	PART NO	DESCRIPTION	QTY
1	LMP-10505	INDICATOR LAMP	2	12			
1a	BLB-0015	SPARE BULB (2013 & ON)		13			
OR	BLB-0085	LED BULB FOR JD S7 (2013 &ON)		14	TPE-00300	FLUORESCENT TAPE -RED/ORANGE	0.23m
OR	BLB-0020	SPARE BULB (2012 - 2013)		14	TPE-00300	FLUORESCENT TAPE -RED/ORANGE	0.23m
OR	BLB-0075	SPARE BULB (UP TO 2012		14	TPE-00300	FLUORESCENT TAPE -RED/ORANGE	0.23m
1b	LMP-10009	SPARE LENS (3 SCREWS 2013&ON)		14	TPE-00300	FLUORESCENT TAPE -RED/ORANGE	0.23m
1b	LMP-10006	SPARE LENS (GROTE, 2012-2013)		14	TPE-00300	FLUORESCENT TAPE -RED/ORANGE	0.23m
1b	LMP-10000	SPARE LENS FRONT (UPTO 2012)		14	TPE-00300	FLUORESCENT TAPE -RED/ORANGE	0.23m
1c	LMP-10001	SPARE LENS REAR(PMG UPTO 2012)		15	TPE-00250	REFLECTIVE TAPE - YELLOW	0.23m
2	ETM-00440	LOOP TERMINAL	2	15	TPE-00250	REFLECTIVE TAPE - YELLOW	0.23m
3	HSS-0055	SETSCREW	3	16	TPE-00251	REFLECTIVE TAPE - RED	0.23m
OR	SCW-5180	SELF TAP SCREW	3	16	TPE-00251	REFLECTIVE TAPE - RED	0.23m
4	ETM-00560	MALE BULLET TERMINAL	2	16	TPE-00251	REFLECTIVE TAPE - RED	0.23m
5	198524 01	WIRE LOOM & PLUG ASSY	1	16	TPE-00251	REFLECTIVE TAPE - RED	0.23m
6				16	TPE-00251	REFLECTIVE TAPE - RED	0.23m
7	290739 01	INDICATOR GUARD (2019 & ON)	2	16	TPE-00251	REFLECTIVE TAPE - RED	0.23m
OR	193567 01	INDICATOR GUARD (UP TO 2019)	2	17	198958 01	LH LIGHT MOUNTING BRACKET	1
8				18	198958 02	RH LIGHT MOUNTING BRACKET	1
9	WSH-0006	PLAIN WASHER	3				
10	193516 01	LIGHT PLUG (JD PRE 50 SERIES)	1				
OR	195207 01	LIGHT PLUG (JD 50 SERIES)	1				
OR	SEE KIT-01727	LIGHT PLUG (JD 60,70,S600 &	1				
	OR KIT-01733	S700 SERIES)	1				
	OR KIT-01747		1				
OR	197040 01	LIGHT PLUG (CASE IH & NH)	1				
a	ECN-09060	SPARE LOCK WASHER					
b	ECN-09050	SPARE PANEL NUT					
OR	198732 01	LIGHT PLUG (NH TR)	1				
OR	SEE KIT-01731	LIGHT PLUG (AGCO MULTI)	1				
	OR KIT-01736						
	OR KIT-01741						
OR	SEE KIT-01735	LIGHT PLUG (AGCO IDEAL MULTI)	1				
	OR KIT-01740		1				
OR	SEE KIT-01732	LIGHT LOOM (CLAAS MULTI)					
OR	291911 01	LONG LIGHT CABLE (11m)	1				
OR	292994 01	JD X9 LIGHT LOOM (PRE2024 X9)	1				
OR	293999 01	JD X9 LIGHT LOOM (2024 &ON X9)					
OR	293594 01	JD S7 LIGHT LOOM	1				

Shelbourne Reynolds Engineering Limited

DETAIL A

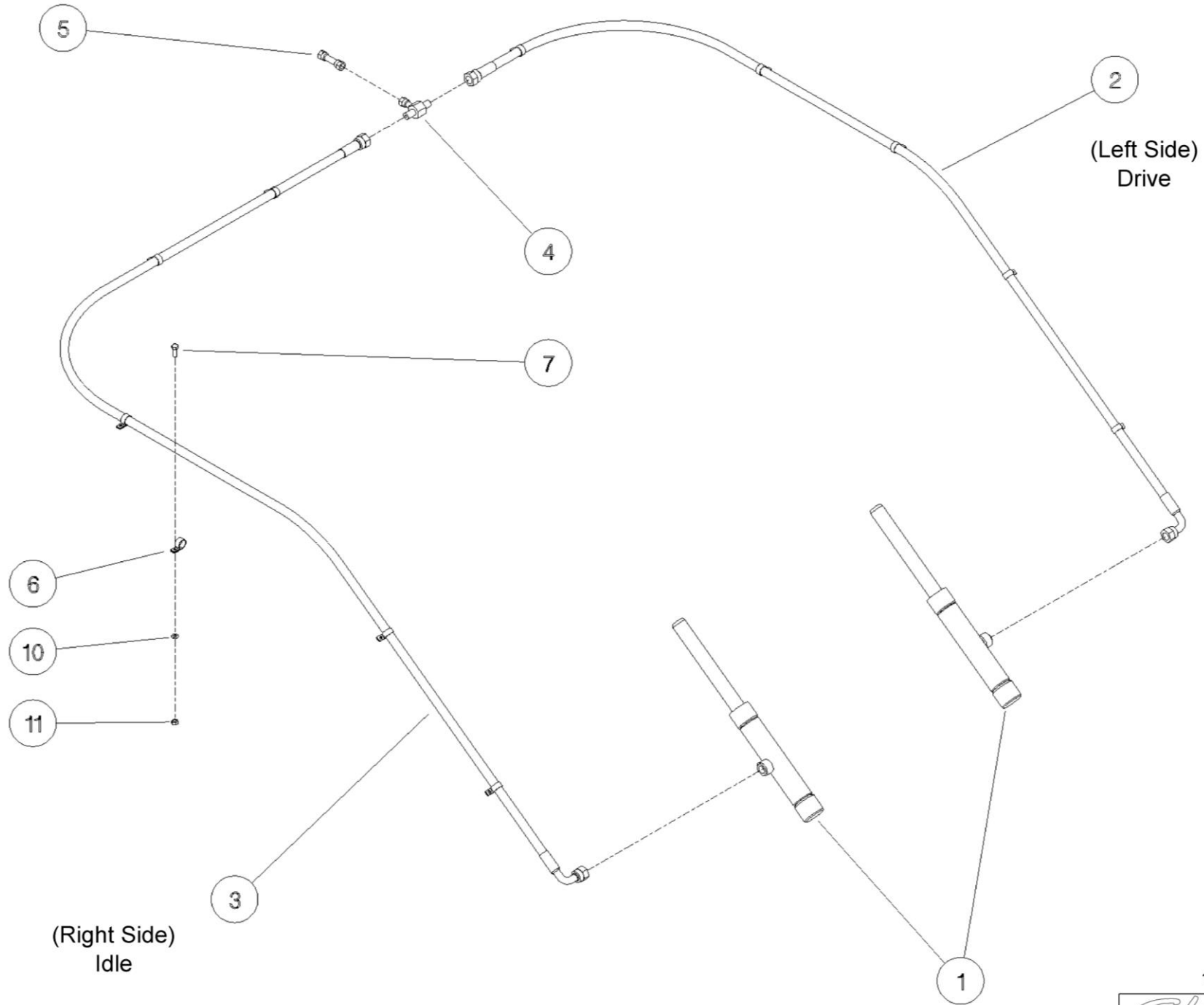


196143 42



Shelbourne Reynolds Engineering Limited

ASSY NUMBER: 196193 42				ASSY DESCRIPTION: HYDRAULIC CIRCUIT SUB EXCEL 42			
ITEM	PART NO	DESCRIPTION	QTY	ITEM	PART NO	DESCRIPTION	QTY
1	195075 01	HYDRAULIC RAM	2				
1a	RMSK00030	SEAL KIT (SPARES)					
2	HHBC61810	HYD HOSE ASSY LH	1				
3	HHBC91710	HYD HOSE ASSY RH	1				
4	HPPD07100	HYD TEE FITTING	1				
5	FIT-0213	HYD BULKHEAD FITTING	1				
6	CLP-01012	P CLIP	5				
7	SCW-4960	BUTTON SKT.HD SCREW	4				
8							
9							
10	WSH-0009	PLAIN WASHER	4				
11	NUT-0260	NYLOC NUT	4				

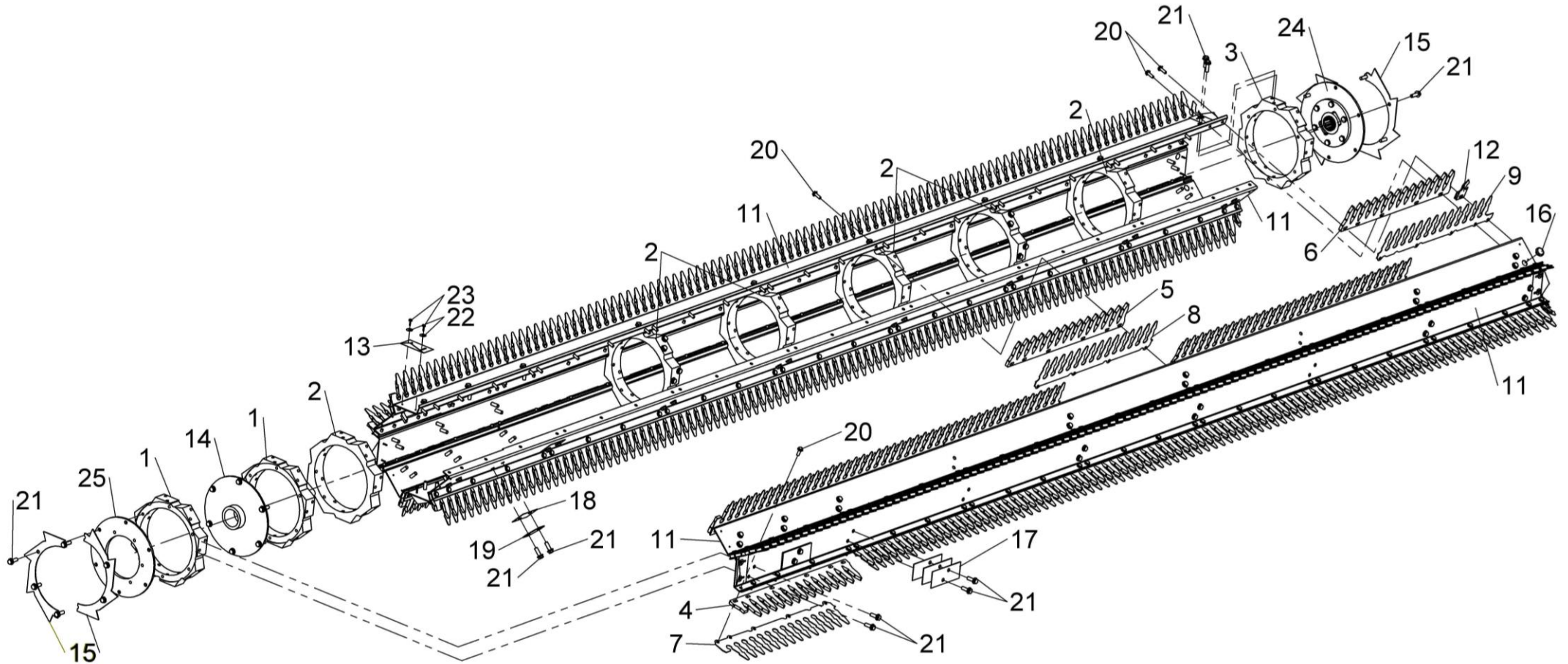


196193



Shelbourne Reynolds Engineering Limited

ASSY NUMBER: 196253 04				ASSY DESCRIPTION: 4.2m DRIVE END ROTOR ASSY			
ITEM	PART NO	DESCRIPTION	QTY	ITEM	PART NO	DESCRIPTION	QTY
1	192892 01	OUTER HUB CASTING LH	2				
2	192892 03	INNER HUB CASTING	6				
3	192892 02	OUTER HUB CASTING RH	1				
4	193558 02	END HOLE ELEMENT	8				
OR	193558 01	FOR SPARES, CUT AND MODIFY STD SUPPORT FINGER	8				
5	193558 01	STANDARD ELEMENT	40				
6	193558 03	CTR.END HOLE ELEMENT	8				
OR	193558 01	FOR SPARES, CUT AND MODIFY STD SUPPORT FINGER	8				
7	197719 01	SEED SAVER FINGER LH END	8				
8	197717 01	SEED SAVER FINGER CTR	40				
9	197718 02	SEED SAVER FINGER LH CTR	8				
10							
11	199111 01	ROTOR PANEL LH 4.2m	8				
OR	199111 04	SPARES COMMON 4.2m ROTOR PANEL			NOTE	1 x ITEM 11 TO HAVE HOLE KNOCKED OUT FOR GREASER	
12	194109 01	CENTER FINGER LH	8				
13	192679 01	ANTI-WRAP PLATE	8				
14	197114 01	ROTOR DRIVE DISC W/A	1		NOTE	ITEMS 7 AND 9 ARE CORRECT PARTS WHEN FINGERS SET WITH FLANGES UP - IE AGGRESSIVE. USE 197719 02 & 197718 01 WHEN FLANGES ARE REQUIRED DOWN -IE NON-AGGRESSIVE.	
15	192959 01	OUTER CLAMP RING	4				
16	BPG-00200	PLASTIC BODY PLUG	1				
17	193118 01	BALANCE WEIGHT (100g)	A/R				
18	193118 02	BALANCE WEIGHT (50g)	A/R				
19	193382 01	BALANCE WEIGHT (25g)	A/R				
20	HSSF08174	TENSILOCK SETSCREW	240				
21	HSSG10204	TENSILOCK SETSCREW	162				
22	WSH-1034	PENNY WASHER	16				
23	SCW-5180	SELF TAPPING SCREW	16				
24	KIT-00976	BALL JOINT CTR COUPLING ASSY	1				
		SEE KIT-00976 PAGE FOR PARTS BREAKDOWN					
25	197111 01	ROTOR DRIVE DISC (2013 & ON)	1				

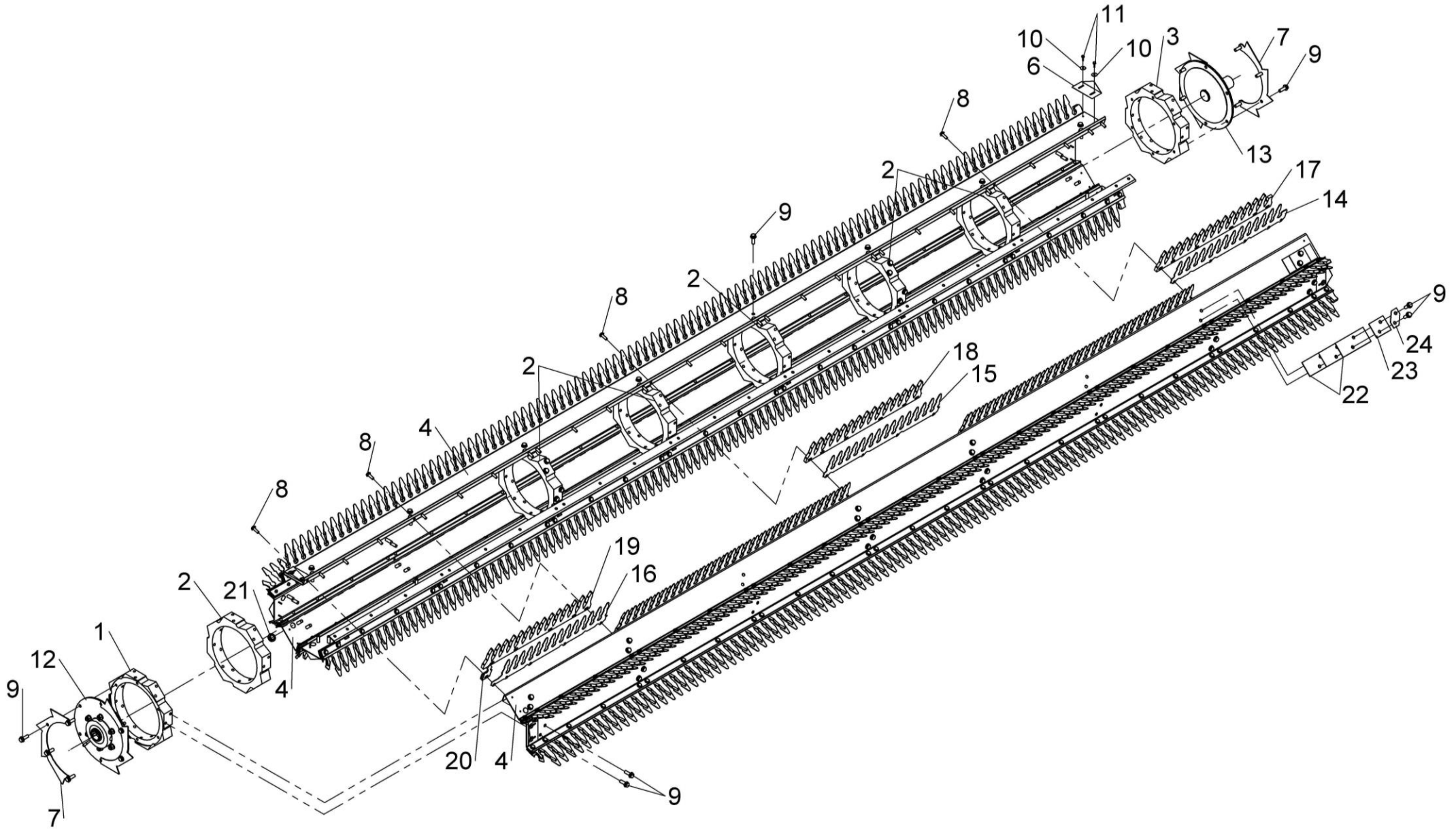


196253 04
196253 03
196253 02



Shelbourne Reynolds Engineering Limited

ASSY NUMBER: 196254 04				ASSY DESCRIPTION: 4.2m IDLE END ROTOR ASSY			
ITEM	PART NO	DESCRIPTION	QTY	ITEM	PART NO	DESCRIPTION	QTY
1	192892 01	OUTER HUB CASTING LH	1				
2	192892 03	INNER HUB CASTING	6				
3	192892 02	OUTER HUB CASTING RH	1				
4	199111 02	ROTOR PANEL RH 4.2m	8				
OR	199111 04	SPARES COMMON 4.2m ROTOR PANEL			NOTE	1 x ITEM 4 TO HAVE HOLE KNOCKED OUT FOR GREASER	
5							
6	192679 01	ANTI-WRAP PLATE	8				
7	192959 01	OUTER CLAMP RING	4				
8	HSSF08174	TENSILOCK SETSCREW	240				
9	HSSG10204	TENSILOCK SETSCREW	140				
10	WSH-1034	PENNY WASHER	16				
11	SCW-5180	HEX HD SELF TAP SCREW	16				
12	KIT-00976A	BALL JOINT CTR COUPLING ASSY FOR SPARES SUPPLY KIT-00976 SEE KIT-00976A PAGE FOR PARTS BREAKDOWN	1		NOTE	ITEMS 14 AND 16 ARE CORRECT PARTS WHEN FINGERS SET WITH FLANGES UP - IE AGGRESSIVE. USE 197719 01 & 197718 02 WHEN FLANGES ARE REQUIRED	
13	192899 01	IDLE SHAFT W/A	1				
14	197719 02	SEED SAVER FINGER RH END	8				
15	197717 01	SEED SAVER FINGER CTR	40				
16	197718 01	SEED SAVER FINGER RH CTR	8				
17	193558 02	END HOLE ELEMENT	8				
OR	193558 01	FOR SPARES, CUT AND MODIFY STD SUPPORT FINGER	8				
18	193558 01	STANDARD ELEMENT	40				
19	193558 03	CTR.END HOLE ELEMENT	8				
OR	193558 01	FOR SPARES, CUT AND MODIFY STD SUPPORT FINGER	8				
20	194109 02	CENTER FINGER RH	8				
21	BPG-00200	PLASTIC BODY PLUG	1				
22	193118 01	BALANCE WEIGHT (100g)	A/R				
23	193118 02	BALANCE WEIGHT (50g)	A/R				
24	193382 01	BALANCE WEIGHT (25g)	A/R				

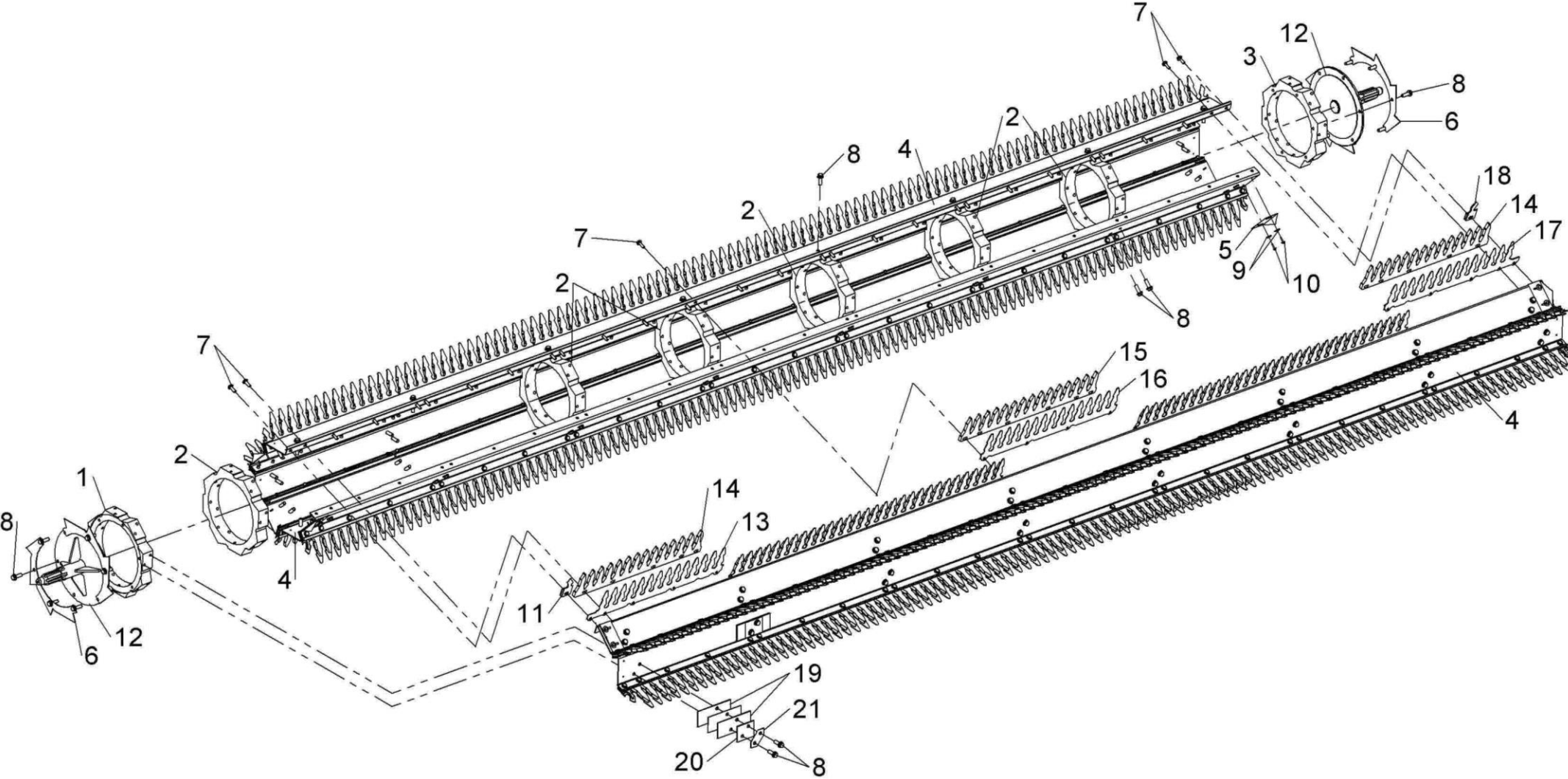


196254 04
196254 03
196254 02



Shelbourne Reynolds Engineering Limited

ASSY NUMBER: 196255 04				ASSY DESCRIPTION: 4.2m CENTRE ROTOR ASSY			
ITEM	PART NO	DESCRIPTION	QTY	ITEM	PART NO	DESCRIPTION	QTY
1	192892 01	OUTER HUB CASTING LH	1				
2	192892 03	INNER HUB CASTING	6				
3	192892 02	OUTER HUB CASTING RH	1				
4	199111 02	ROTOR PANEL RH 4.2m	8				
OR	199111 04	SPARES COMMON 4.2m ROTOR PANEL					
5	192679 01	ANTI-WRAP PLATE	8				
6	192959 01	OUTER CLAMP RING	4				
7	HSSF08174	TENSILOCK SETSCREW	240				
8	HSSG10204	TENSILOCK SETSCREW	140				
9	WSH-1034	PENNY WASHER	16				
10	SCW-5180	HEX HD SELF TAP SCREW	16				
11	194109 02	CENTER FINGER ASSY RH	8				
12	193103 01	CTR DRIVE SHFT W/A	2				
13	197718 01	SEED SAVER FINGER RH CTR	8		NOTE	ITEMS 13 AND 17 ARE CORRECT	
14	193558 03	CTR.END HOLE ELEMENT	16			PARTS WHEN FINGERS SET WITH	
OR	193558 01	FOR SPARES, CUT AND MODIFY STD	16			FLANGES UP - IE AGGRESSIVE.	
		SUPPORT FINGER				INTERCHANGE ITEMS 13 & 17	
15	193558 01	STANDARD ELEMENT	40			WHEN FLANGES ARE REQUIRED	
16	197717 01	SEED SAVER FINGER CTR	40			DOWN -IE NON-AGGRESSIVE.	
17	197718 02	SEED SAVER FINGER LH CTR	8				
18	194109 01	CENTER FINGER ASSY LH	8				
19	193118 01	BALANCE WEIGHT (100g)	A/R				
20	193118 02	BALANCE WEIGHT (50g)	A/R				
21	193382 01	BALANCE WEIGHT (25g)	A/R				



196255 04
196255 03



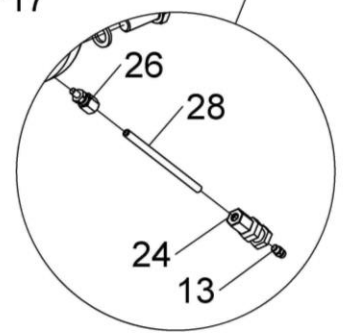
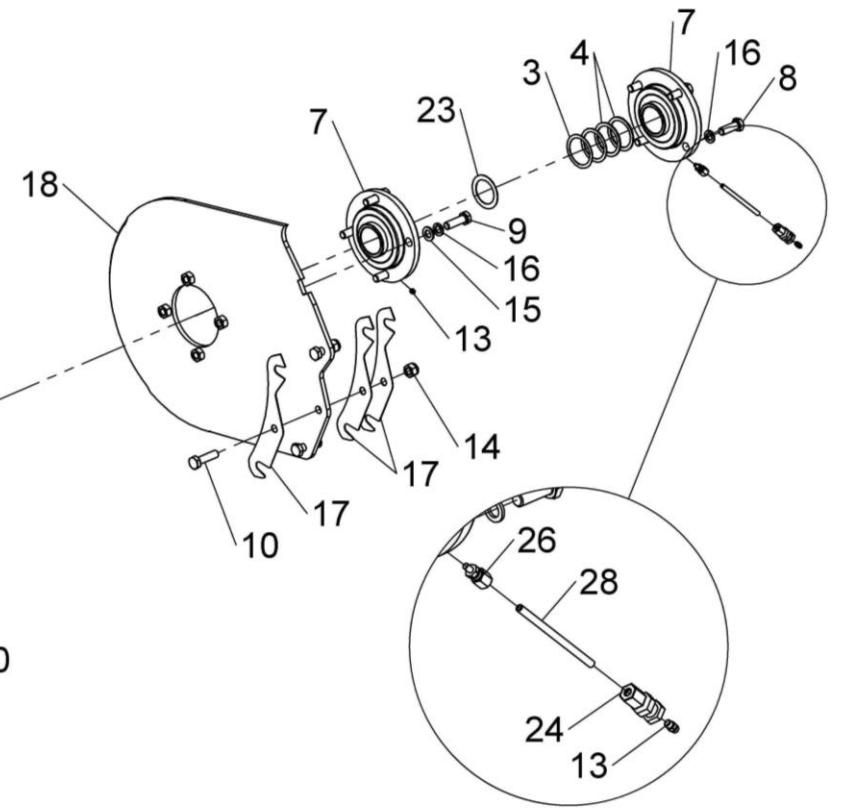
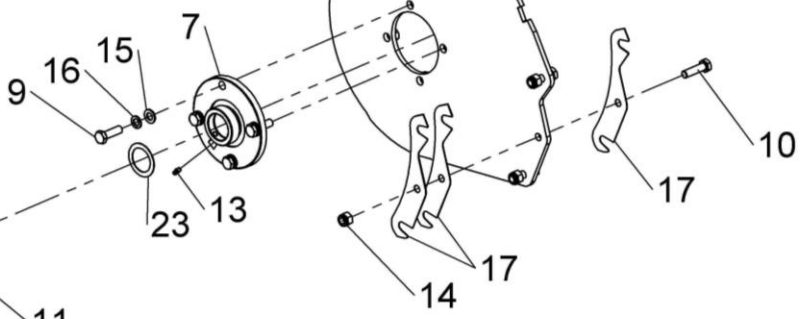
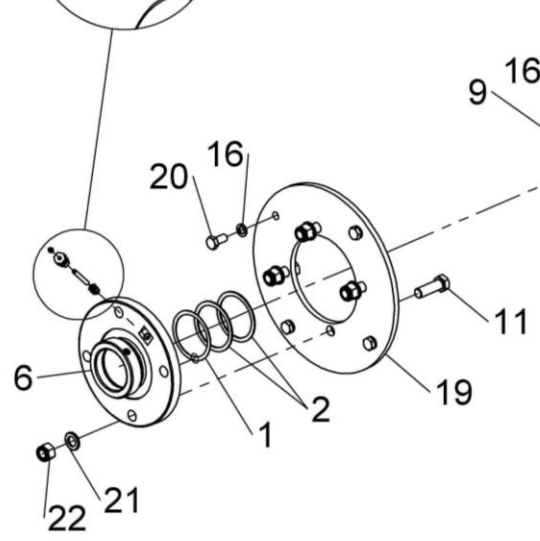
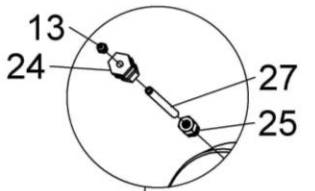
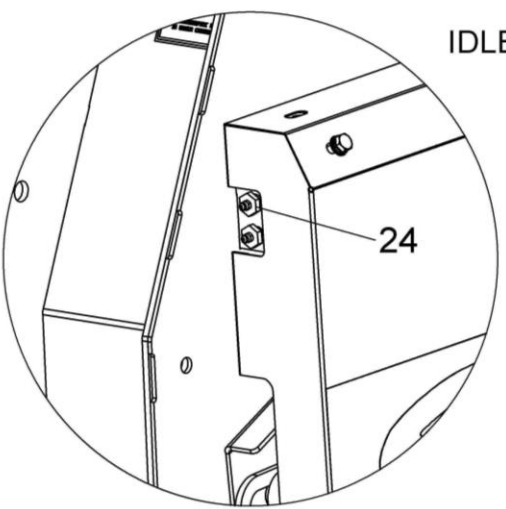
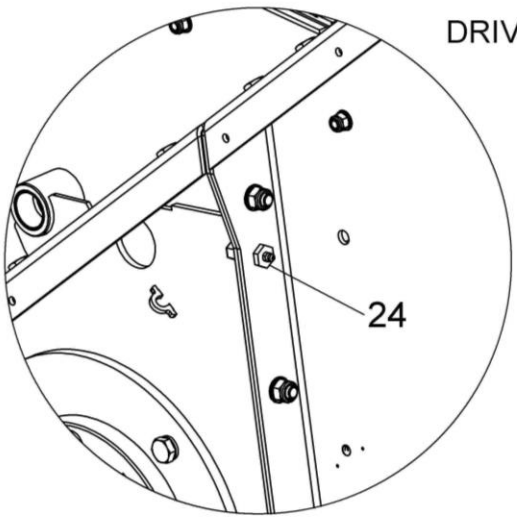
Shelbourne Reynolds Engineering Limited

ASSY NUMBER: 196258 01				ASSY DESCRIPTION: ROTOR MTG SUB			
ITEM	PART NO	DESCRIPTION	QTY	ITEM	PART NO	DESCRIPTION	QTY
1	190548 73	SHIM (1mm)	1				
2	190548 74	SHIM (2mm)	2				
3	192876 01	SHIM (1mm)	2				
4	192876 02	SHIM (2mm)	2				
5	199181 01	LH BEARING MTG PLT XCV/XCS	1				
OR	291811 01	LH BEARING MTG PLT XRS	1				
OR	291708 01	LH BEARING MTG PLT KNOCKOUT	1				
6	BRG-27040	BEARING	1				
7	BRG-3275	BEARING	3				
8	HSS-0241	SETSCREW	4				
9	HSS-0250	SETSCREW	8				
10	BLTA12290	HEX HD BOLT	6				
11	HSS-0318	SETSCREW (2013 & ON)	4				
OR	HSS-0316	SETSCREW (UPTO 2013)	4				
12							
13	NIP-00600	GREASE NIPPLE	4				
14	NUTA07120	AERO TIGHT NUT	6				
15	WSH-0018	PLAIN WASHER	8				
16	WSH-0065	SPRING WASHER	16				
17	198951 01	SHIM	6				
18	199181 02	RH BEARING MTG PLT XCV/XCS	1				
OR	291811 02	RH BEARING MTG PLT XRS	1				
OR	291708 02	RH BEARING MTG PLT KNOCKOUT	1				
19	198122 01	BEARING MTG PLATE (2013 & ON)	1				
20	HSS-0235	SETSCREW (2013 & ON)	4				
21	WSH-0070	SPRING WASHER (2021 & ON)	4				
OR	WSH-0024	WASHER (2013-2020)	4				
22	NUT-0271	NYLOC NUT (UPTO 2021)	4				
23	194128 03	SHIM (1mm)	A/R				
24	LUB-00052	BULKHEAD (2017 & ON)	2				
25	LUB-00045	STRAIGHT ADAPT (2017&ON)	1				
OR	NIP-0001	GREASE NIPPLE (UPTO2017)	1				
26	LUB-00046	STRAIGHT ADAPTOR (2017&ON)	1				
27	LUB-00044	GREASE TUBE (2017 & ON)	0.35m				
28	LUB-00044	GREASE TUBE (2017 & ON)	1.25m				

Shelbourne Reynolds Engineering Limited

DRIVE END

IDLE END

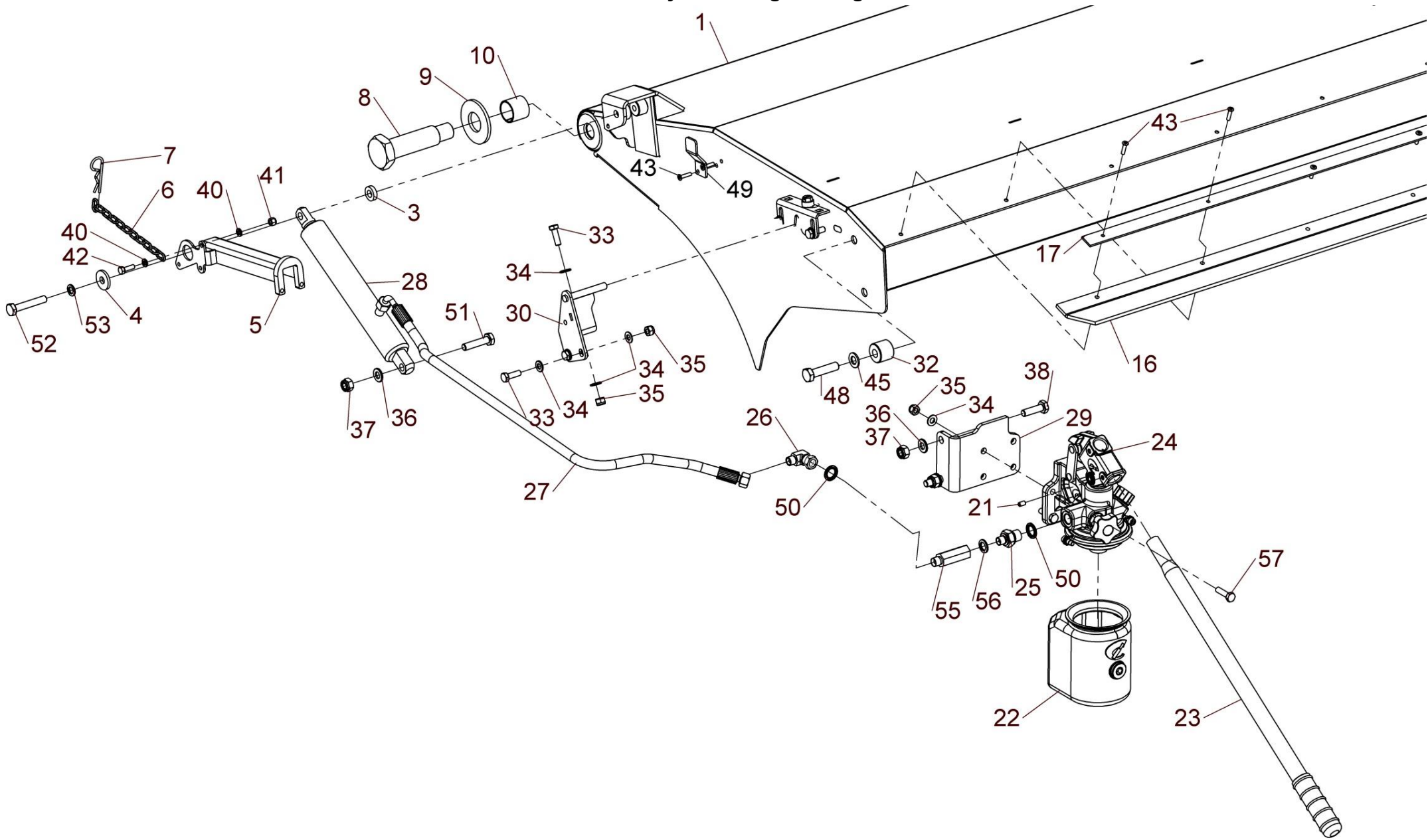


196258 01
196258 02



Shelbourne Reynolds Engineering Limited

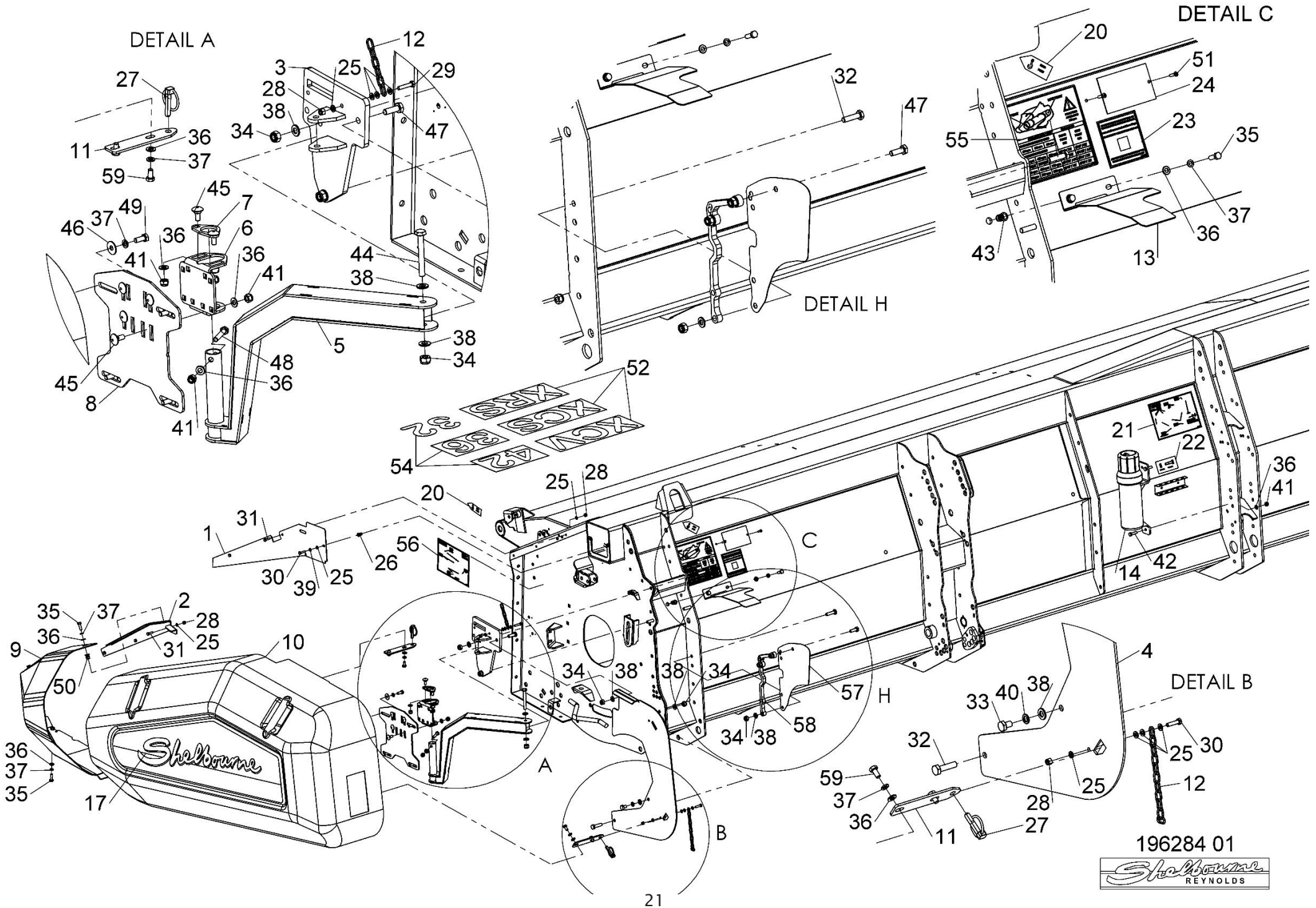
ASSY NUMBER: 196279 42				ASSY DESCRIPTION: HOOD SUB ASSY EXCEL 42 (2014 & ON)			
ITEM	PART NO	DESCRIPTION	QTY	ITEM	PART NO	DESCRIPTION	QTY
1	199292 01 199292 01K	42' LH HOOD W/A SPARES LH HOOD ASSY, INC ITEMS 1,15,16,17,20,32,43,46,48 & 49	1	OR	HHBC09605	HYDRAULIC HOSE (UP TO 2018)	
				28	197601 01	HYDRAULIC CYLINDER	1
				28a	RMSK00030	RAM SEAL KIT	
2	198682 01 198682 01K	42' RH HOOD W/A SPARES RH HOOD ASSY, INC ITEMS 2,15,16,17,18,19,20,32,41,43,	1	29	199829 01	HAND PUMP BRACKET (2015 & ON)	1
				OR	198595 01	HAND PUMP BRACKET (UP TO 2015)	1
				30	198608 01	SLAM LATCH PIN BRKT W/A UPTO 2017)	1
3	190119 79	WASHER	1				
4	190119 75	WASHER	1	31	LTC-00040	SLAM LATCH (UPTO 2017)	1
5	198311 01	RAM STOP W/A	1	32	198604 01	NYLON BUSH	2
6	CHN-0145	CHAIN (UP TO 2018)	0.17m	33	HSS-0145	SET SCREW UPTO 2017)	11
7	CLP-00103	R CLIP (UP TO 2018)	1	34	WSH-0012	PLAIN WASHER	26
8	192812 01	HOOD PIVOT PIN	2	35	NUT-0263	NYLOC NUT	15
9	192813 01	LARGE WASHER	2	36	WSH-0015	PLAIN WASHER	3
10	BSHK03056	BUSH PLAIN	4	37	NUT-0265	NYLOC NUT	3
11	290424 01	FIXED CTR HOOD W/A (2017 & ON)	1	38	HSS-0198	SET SCREW	2
OR	199769 01	FIXED CTR HOOD W/A (UPTO 2017)	1	39			
12	199294 01	CTR HOOD PIVOT PIN	2	40	WSH-0009	PLAIN WASHER (UP TO 2018)	2
13	199135 01	JOINING PLATE	1	41	NUT-0260	NYLOC NUT (UP TO 2018)	1
14				42	HSS-0086	SET SCREW (UP TO 2018)	1
15	197810 01	BUMP STOP	4	43	POP-0006	POP RIVET	78
16	199109 01	REAR RUBBER SEAL	2	44	EDS-11697	SIDE BUBBLE GASKET	0.72m
17	199061 01	CLAMP STRIP (1911.5mm)	4	44	EDS-11697	SIDE BUBBLE GASKET	0.72m
18	199489 01	REAR RUBBER SEAL	2	45	WSH-0018	PLAIN WASHER	11
19	199162 01	CLAMP STRIP (2176mm)	2	46	NUT-0269	NYLOC NUT	7
20	199164 01	CTR CLAMP STRIP (214mm)	2	47	HSS-0241	SET SCREW	3
21	SCW-4530	GRUB SCREW	1	48	HSS-0260	SET SCREW	2
22	JAC-00222	HYD RESEVOIR TANK (2015 & ON)		49	290373 01	HOOK (2017 & ON)	1
OR	JAC-00221	HYD RESERVOIR (UP TO 2015)	1	50	WSH-1010	DOWTY WASHER	1
23	JAC-00230	HYD HAND PUMP HANDLE	1	51	BLTA10290	HEX.HEAD BOLT	1
24	JAC-00228	HYD HAND PUMP (X**42234775 & ON)	1	52	BLTA10350	HEX.HEAD BOLT	1
OR	JAC-00227	HYD HAND PUMP (2015-X**42234726)	1	53	WSH-0061	SPRING WASHER	1
OR	JAC-00226	HYD HAND PUMP (UP TO 2015)	1	54	190119 16	WASHER	AR
24a	FITE00107	FILLER CAP		55	HVB-93000	FLOW RESTRICTOR (2015 & ON)	1
24b	HPS-01520	SEAL KIT FOR JAC-00228 & JAC-00227		56	WSH-1005	DOWTY WASHER (2015 & ON)	1
24b	HPS-01510	SEAL KIT FOR JAC-00227		57	HSS-0150	BOLT (2015 & ON)	4
24b	HPS-01500	SEAL KIT FOR JAC-00226		58	HASAA0303	ELBOW (45°) (2018 & ON)	1
25	FIT-0025	M/M ADAPTOR(2015&ON)	1	59	290886 01	CLAMP PLATE (2019 & ON)	1
OR	HAPAA0305	REST. FITTING(UPTO 2015)	1	60	290886 02	CLAMP PLATE (2019 & ON)	1
26	HALAA0303	ELBOW M/F(UP TO 2015)	1				
27	HHBC08805	HYDRAULIC HOSE (2018 & ON)	1				



Shelbourne Reynolds Engineering Limited

ASSY NUMBER: 196284 01				ASSY DESCRIPTION: EMBLEMS & GUARDS SUB			
ITEM	PART NO	DESCRIPTION	QTY	ITEM	PART NO	DESCRIPTION	QTY
1	290126 01	GUARD MOUNTING PLATE	1	33	HSS-0185	BOLT	1
OR	293130 01	VENTED GRILL PLATE (2024 XCV)		34	NUT-0265	NYLOC NUT	8
2	290085 01	GUARD MOUNTING PLATE	1	35	HSS-0145	BOLT	10
3	290512 01	PIVOT W/A	1	36	WSH-0012	WASHER	29
4	290086 01	GUARD MOUNTING PLT (XCV)	1	37	WSH-0058	SPRING WASHER	20
OR	290937 01	GUARD MOUNTING PLT (XCS & XRS)	1	38	WSH-0015	WASHER	10
5	199998 01	ARM W/A	1	39	WSH-0056	SPRING WASHER	3
6	290118 01	PIVOT BRACKET	1	40	WSH-0061	SPRING WASHER	1
7	290540 01	CLAMP BRACKET	1	41	NUT-0263	NYLOC NUT	10
8	290119 01	MOUNTING PLATE	1	42	HSS-0150	BOLT	3
9	290120 01	CORNER GUARD W/A	1	43	NUTA13087	NUTSERT	2
10	290000 01	LH DRIVE GUARD	1	44	BLTA10500	BOLT	1
OR	KIT-01480	SPARES LH DRIVE GUARD KIT INC ALL DECALS, N AMERICA ONLY	1	45	BLT-4710	COACH BOLT	6
OR	KIT-19100	VENTED STEEL GUARD (2024 XCV)	1	46	WSH-1038	PENNY WASHER	4
11	290539 01	LOCATING PLATE	2	47	HSS-0194	BOLT	2
12	CHN-0145	CHAIN	0.17m	48	HSS-0155	BOLT	1
12	CHN-0145	CHAIN	0.17m	49	HSS-0140	BOLT	4
13	198288 01	GEARBOX COVER PLT	1	50	NUTA13080	NUTSERT	2
14	PCN-00100	MANUAL CANNISTER	1	51	POP-0006	POP RIVET	2
15	198562 01	COVER PLATE	1	52	199221 01	EMBLEM (XCV LARGE, CROP DEF.)	1
16	290001 01	IDLE END GUARD	1	OR	199222 01	EMBLEM (XCS LARGE, CROP DEF.)	1
OR	KIT-01481	SPARES IDLE END GUARD KIT, INC 290001 01 & 290534 01	1	OR	291710 04	EMBLEM (XRS LARGE, CROP DEF.)	1
17	290640 01	SHELBOURNE EMBLEM	1	53			
18	290534 01	SHELBOURNE EMBLEM	1	54	199223 01	EMBLEM (42 LARGE, CROP DEF.)	1
19				OR	199223 02	EMBLEM (36 LARGE, CROP DEF.)	1
20	190702 04	EMBLEM (SLING POINT)	4	OR	199223 03	EMBLEM (32 LARGE, CROP DEF.)	1
21	290877 01	EMBLEM (HEADER MAINTENANCE)	1	55	290910 01	EMBLEM (HTD SPEEDS, XRS ONLY)	1
22	613205 01	EMBLEM (SHEARBOLT)	1	OR	292044 01	EMBLEM (HTD SPEEDS, XCS ONLY)	1
23	290150 01	EMBLEM (QR CODE)	1	56	290878 01	EMBLEM (DRIVE MAINTENANCE)	1
24	290526 01	SERIAL NO. PLATE	1	57	198254 01	INNER SHIELD PLT (XCS/XRS ONLY)	1
25	WSH-0009	WASHER	16	58	198253 01	INNER SHIELD RIB (XCS/XRS ONLY)	1
26	NUTA13060	NUTSERT	3	59	HSS-0135	BOLT	4
27	PIN-01950	LYNCH PIN	2				
28	NUT-0260	NYLOC NUT	7				
29	HSS-0092	BOLT	1				
30	HSS-0088	BOLT	4				
31	HSS-0086	BOLT	5				
32	HSS-0202	BOLT	5				

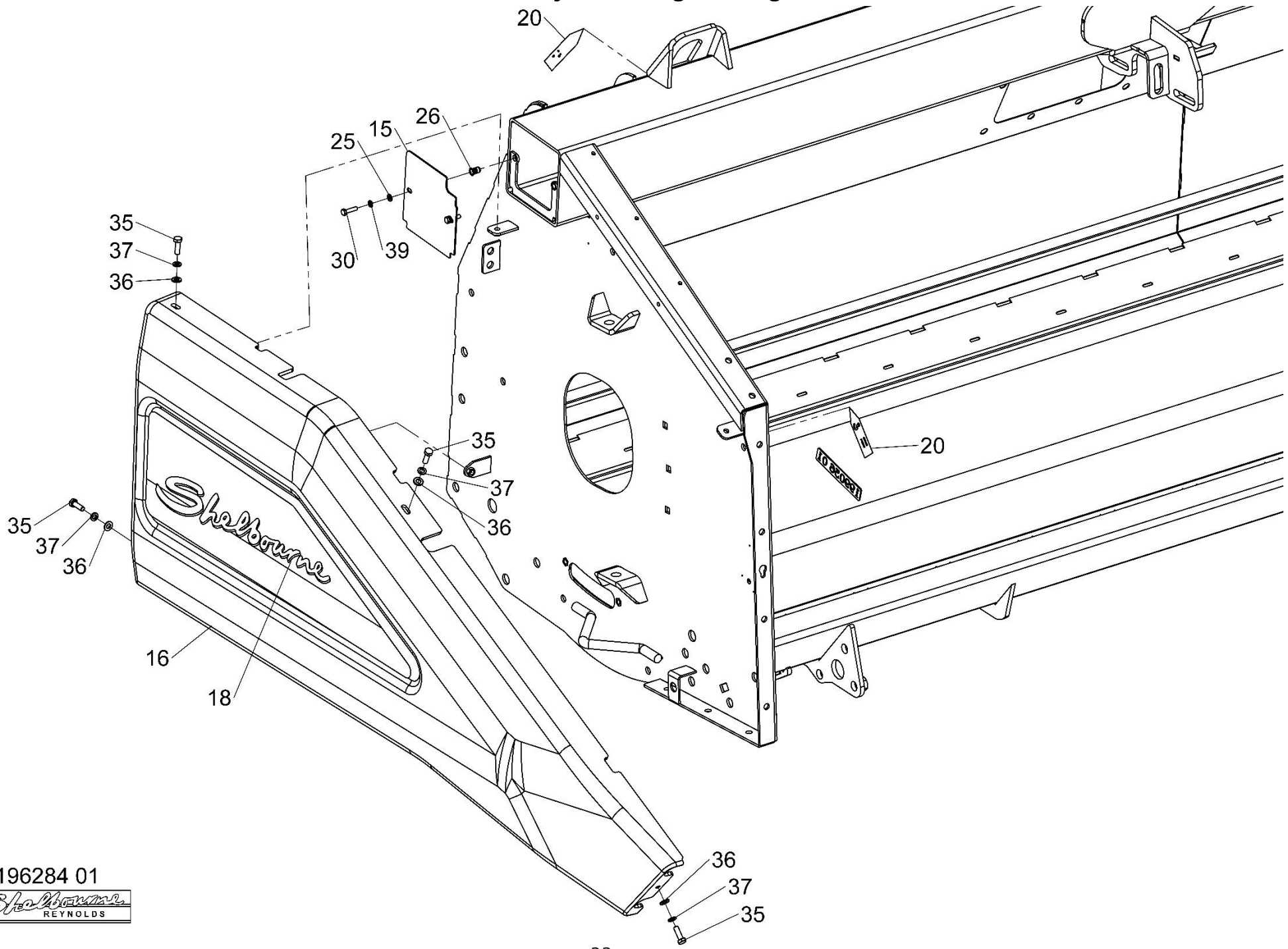
Shelbourne Reynolds Engineering Limited



196284 01



Shelbourne Reynolds Engineering Limited



196284 01

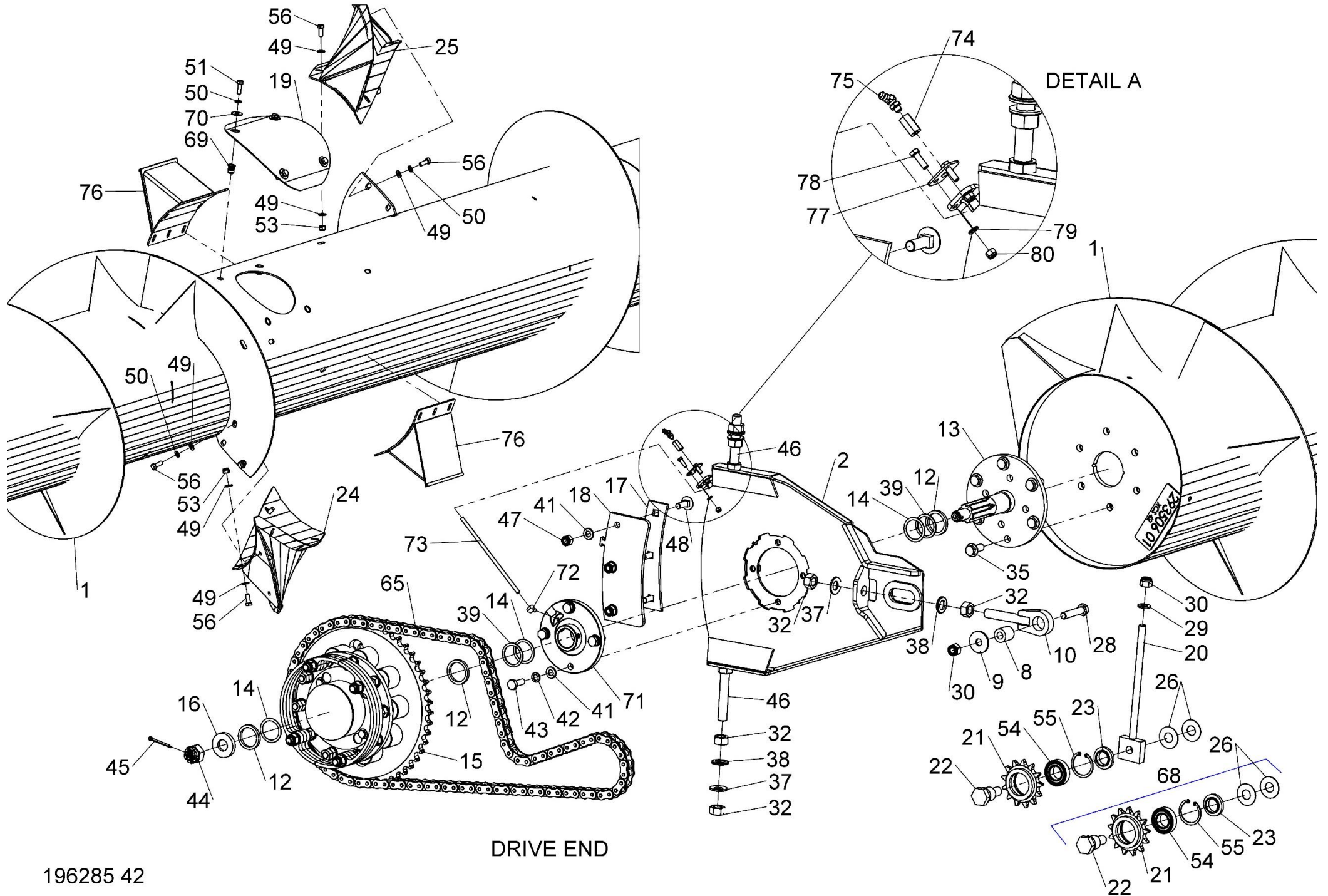


Shelbourne Reynolds Engineering Limited

ASSY NUMBER: 196285 42				ASSY DESCRIPTION: EXCEL 42 OFFSET AUGER SUB ASSY			
ITEM	PART NO	DESCRIPTION	QTY	ITEM	PART NO	DESCRIPTION	QTY
1	293506 01	DRIVE END AUGER W/A	1	31	HSS-0315	SETSCREW	1
2	290353 01	ADJUSTER PLATE LH	1	32	NUT-0180	PLAIN NUT	6
3	290441 01	CTR AUGER MTG PLT	1	33	HSSG10204	TENSILOCK SETSCREW	12
4	290374 01	AUGER CTR DRV SHAFT	1	34	BLTA12260	HEX HEAD BOLT	1
5	KIT-19040	BALL COUPLING KIT	1	35	HSSF12204	TENSILOCK SETSCREW	8
		SEE KIT-19040 PAGE		36	HSSA16564	SETSCREW	2
		FOR PARTS BREAKDOWN		37	WSHA30161	LOCK WASHER	14
6	290368 01	ADJUSTER PLATE RH	1	38	WSH-0024	PLAIN WASHER	8
7	293505 01	IDLE END AUGER W/A	1	39	190119 74	WASHER	6
8	290363 01	SPACER 27mm	2	40	BRG-23560	BEARING (2025 & ON)	1
9	190119 26	WASHER	2	OR	BRG-23560	BEARING (UP TP 2025)	2
10	290360 01	ADJUSTER W/A	2	41	WSH-0015	PLAIN WASHER	14
11	197704 02	IDLER SHAFT	1	42	WSH-0061	SPRING WASHER	8
12	190119 82	WASHER	3	43	HSS-0194	SETSCREW	8
13	195848 01	AUGER DRIVE SHAFT	1	44	NUT-0580	CASTLE NUT	1
14	190119 95	WASHER	3	45	PIN-1150	SPLIT PIN	1
15	KIT-00125	AUGER DRIVE CLUTCH (2025 & ON)	1	46	HSS-0330	SETSCREW	4
		SEE KIT-00125 PAGE		47	NUT-0265	NYLOC NUT	6
		FOR SPARES BREAKDOWN		48	BLT-3750	COACH BOLT	6
OR	KIT-00123	AUGER DRIVE CLUTCH (UPTO 2025)	1	49	WSH-0012	PLAIN WASHER	40
		SEE KIT-00125 PAGE		50	WSH-0058	SPRING WASHER	20
		FOR SPARES BREAKDOWN		51	HSS-0145	SETSCREW	16
16	290655 01	SHOULDERED WASHER	1	52	HSS-0250	SETSCREW	4
17	200407 01	SUPPORT PLATE	2	53	NUT-0263	NYLOC NUT	10
18	200408 01	OVERLAP PLATE	2	54	BRG-1995	BEARING	2
19	292861 01	AUGER COVER PLATE (2024 & ON)	4	55	CIR-0470	CIRCLIP INT	2
OR	290590 01	AUGER COVER PLATE (UP TO 2024)	4	56	HSS-0140	SETSCREW	20
		FOR SPARES CAN SUPPLY 292861 01		57	WSH-0065	SPRING WASHER	4
		PLUS 4 x WSH-1038		58	BLTA12320	HEX HEAD BOLT	2
20	290164 01	IDLER ADJ SCREW	1	59	LUB-00044	GREASE PIPE	0.35m
21	131041 01	JOCKEY SPKT	2	60	198800 64	WASHER	1
22	190060 11	AUGER IDLE SPINDLE	2	61	190548 90	WASHER	1
23	191040 01	SPACER	2	62	LUB-00046	STRAIGHT ADAPTOR (2019 & ON)	2
24	197620 01R	AUGER PADDLE LH	1	OR	LUB-00046	STRAIGHT ADAPTOR (UP TO 2019)	1
25	197620 02R	AUGER PADDLE RH	1	63	LUB-00052	BULKHEAD (2019 & ON)	2
26	190548 04	WASHER	A/R	OR	LUB-00052	BULKHEAD (UP TO 2019)	1
27	BRG-24505	BEARING	1	64	21709036	TUBE PLUG	4
28	BLTA12380	HEX HEAD BOLT	2	65	CHN-01991A	CHAIN (99 LINKS c/w JOINER)	1
29	WSH-0018	PLAIN WASHER	11	65a	CHN-01910A	CHAIN HALF LINK	
30	NUT-0269	NYLOC NUT	6	65b	CHN-01901A	JOINING LINK	

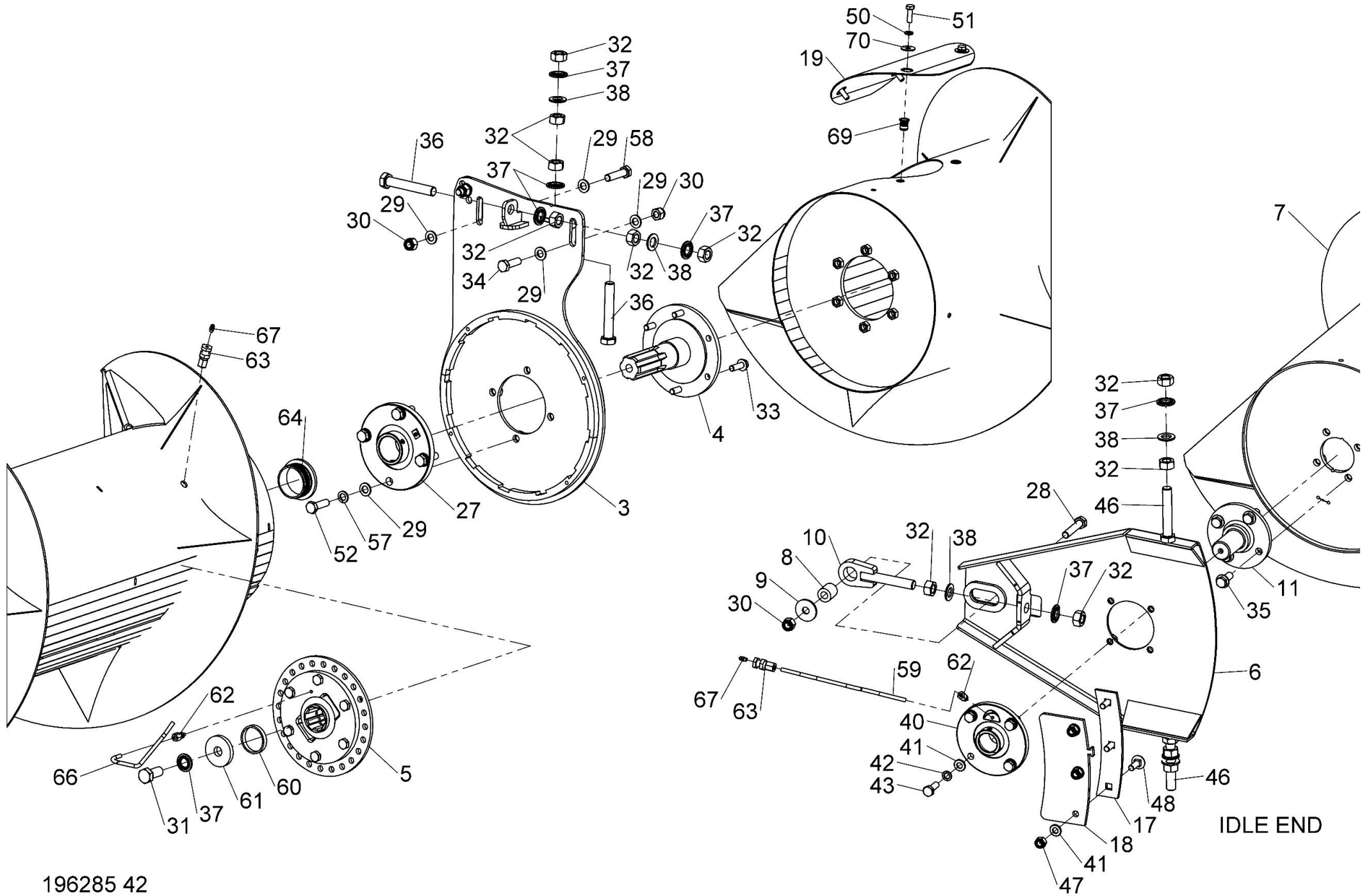
Shelbourne Reynolds Engineering Limited

ASSY NUMBER: 196285 42				ASSY DESCRIPTION: EXCEL 42 OFFSET AUGER SUB ASSY			
ITEM	PART NO	DESCRIPTION	QTY	ITEM	PART NO	DESCRIPTION	QTY
66	LUB-00044	GREASE PIPE (2019 & ON)	0.2m				
67	NIP-00600	GREASE NIPPLE	2				
68	KIT-00112	SPARES IDLER SPROCKET ASSY KIT INC ITEMS 21,22,23,26,54 & 55					
69	NUTA13080	NUTSERT (2024 & ON)	16				
70	WSH-1038	PENNY WASHER (2024 & ON)	16				
71	293027 01	BEARING (2025 & ON)	1				
72	293028 01	GREASE ADAPTER 35° (2025 & ON)	1				
73	193077 04	GREASE PIPE (2025 & ON)	1				
74	193078 01	GREASE ADAPTER (2025 & ON)	1				
75	NIP-00610	GREASE NIPPLE (2025 & ON)	1				
76	292575 01	FLAT PADDLE W/A USE WHEN AUGER PADDLES (ITEMS 24 & 25) ARE WIDELY SPACED	2				
77	293626 01	PIPE RETAINER (2025 & ON)	1				
78	HSS-0058	SETSCREW (2025 & ON)	2				
79	WSH-0006	PLAIN WASHER (2025 & ON)	2				
80	NUT-0258	NYLOC NUT (2025 & ON)	2				



196285 42

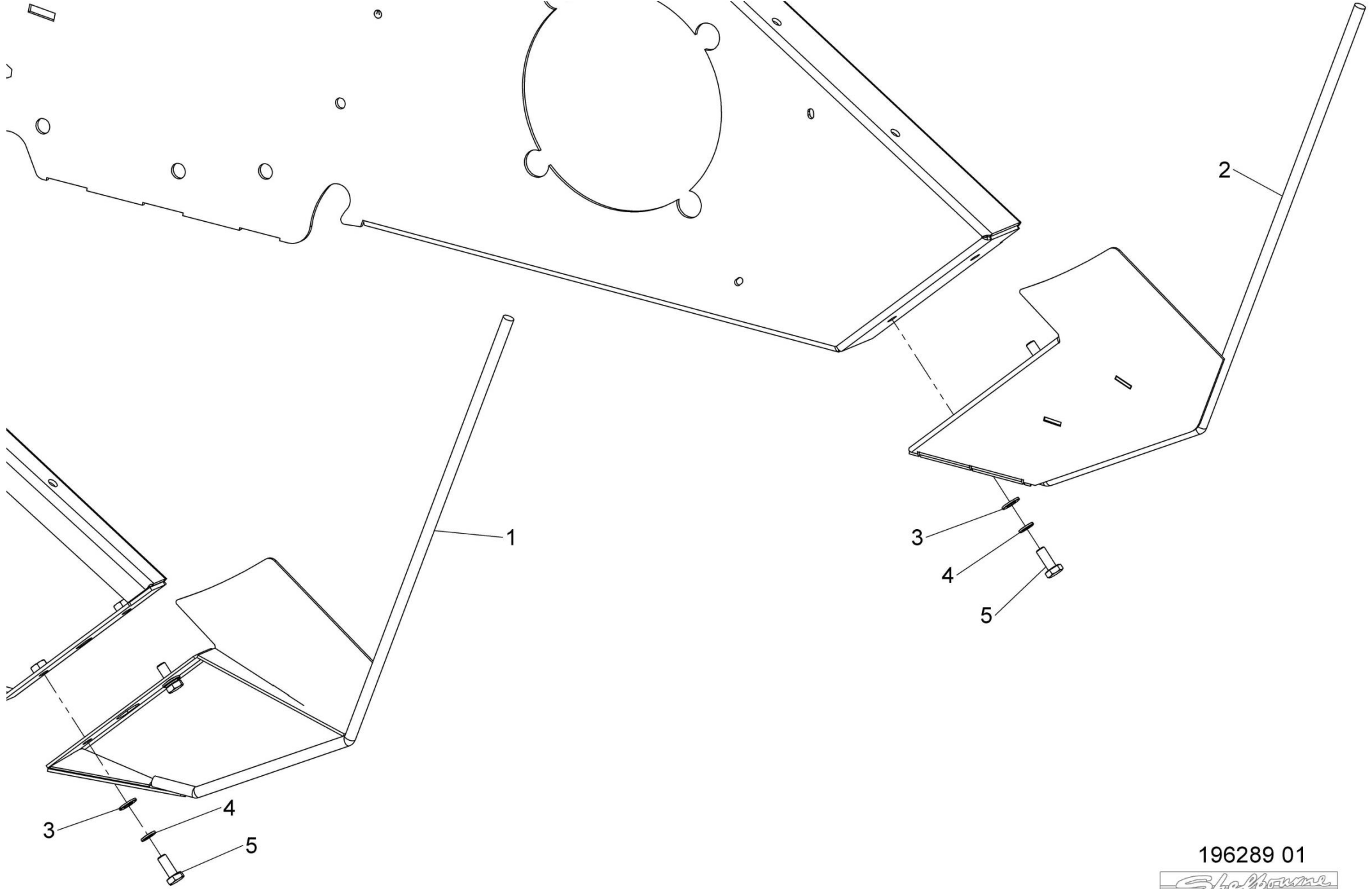
Shelbourne Reynolds Engineering Limited



196285 42

Shelbourne Reynolds Engineering Limited

ASSY NUMBER: 196289 01				ASSY DESCRIPTION: DIVIDER SUB ASSY			
ITEM	PART NO	DESCRIPTION	QTY	ITEM	PART NO	DESCRIPTION	QTY
1	194501 02	RH DIVIDER W/A	1				
2	290480 01	LH DIVIDER W/A	1				
3	WSH-0015	PLAIN WASHER	4				
4	WSH-0061	SPRING WASHER	4				
5	HSS-0191	SET SCREW	4				



196289 01

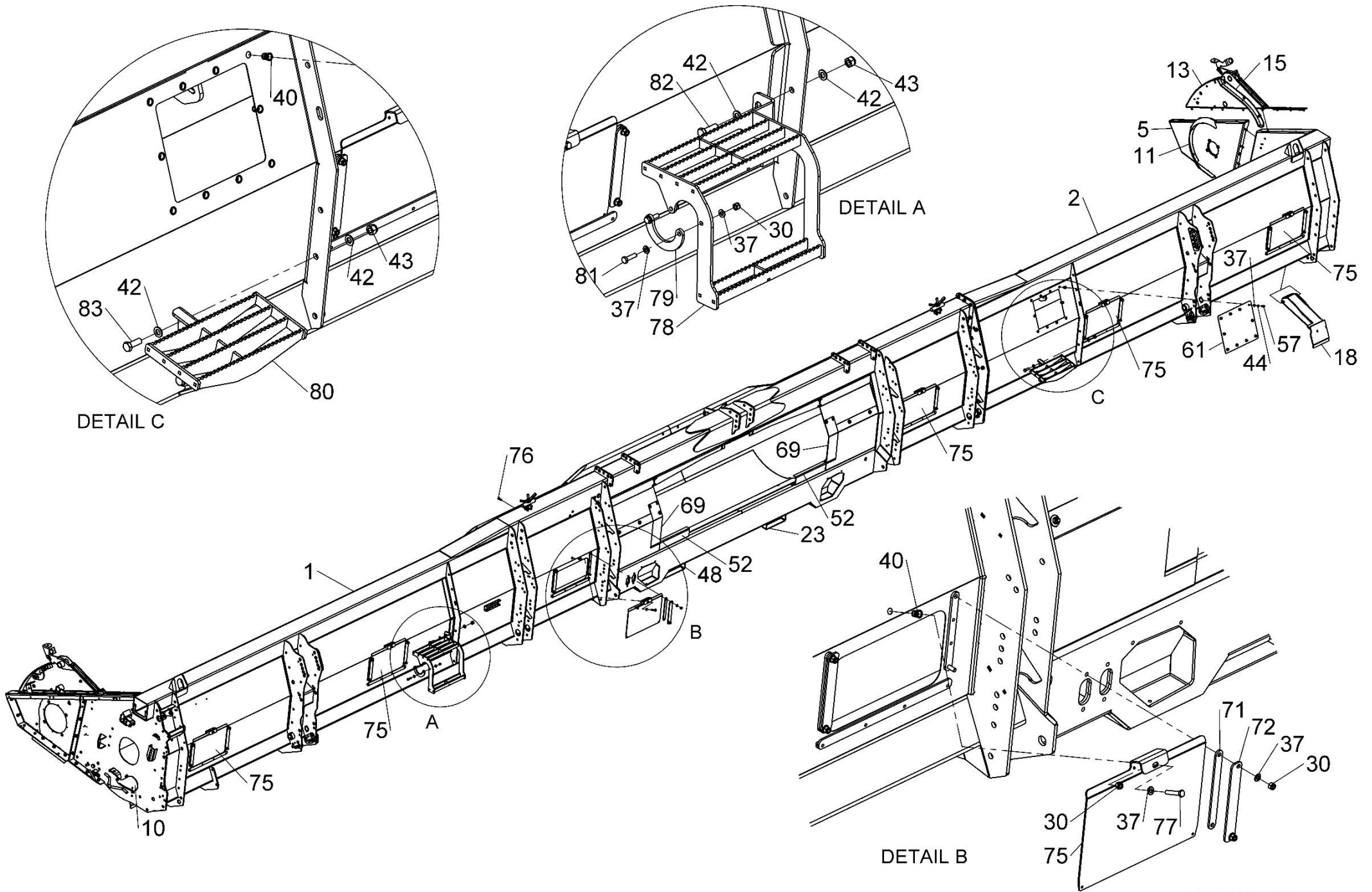


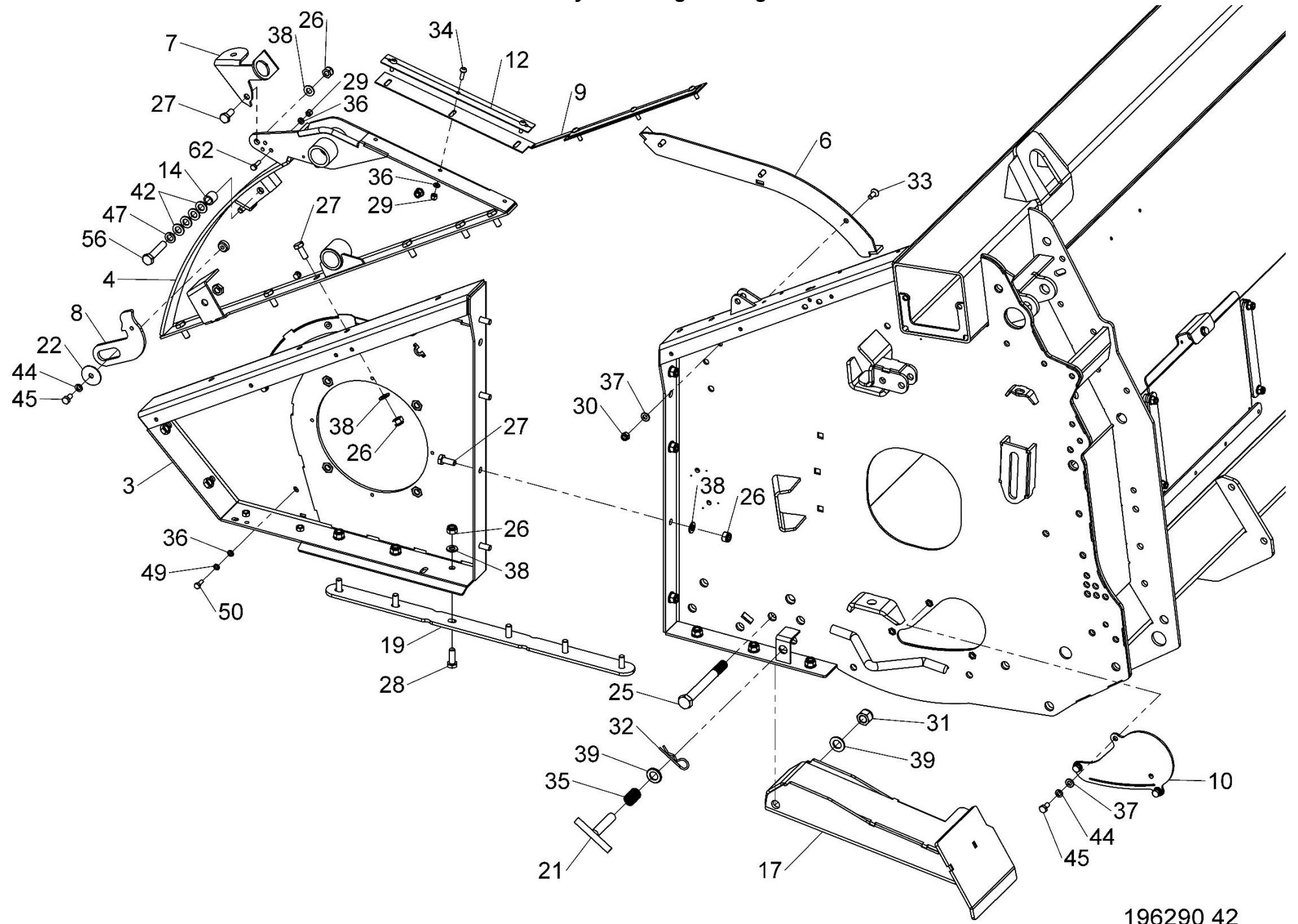
Shelbourne Reynolds Engineering Limited

ASSY NUMBER: 196290 42				ASSY DESCRIPTION: FRAME & PARTS SUB (EXCEL 42)			
ITEM	PART NO	DESCRIPTION	QTY	ITEM	PART NO	DESCRIPTION	QTY
1	199780 01	LH MAINFRAME W/A	1	40	NUTA13080	NUTSERT	60
2	199792 01	RH MAINFRAME W/A	1	41	HSS-0241	BOLT	33
3	290384 01	LH ROTOR MOUNT W/A	1	42	WSH-0018	PLAIN WASHER	49
4	290125 01	TOP SIDE PLT LH	1	43	NUT-0269	NYLOC NUT	37
5	290386 01	RH ROTOR MOUNT W/A	1	44	WSH-0058	SPRING WASHER	34
6	198485 01	NOSE RUNNER W/A LH	1	45	HSS-0135	SETSCREW	8
7	198958 01	LIGHT BRACKET LH	1	46	HSS-0145	BOLT	16
8	290383 01	CROP DEF LOCK	2	47	WSH-0065	SPRING WASHER	2
9	194000 01	RUBBER SEAL	2	48	198957 01	FORKLIFT SHOE	1
10	292939 01	COVER PLATE (2025 & ON)	2	49	WSH-0056	SPRING WASHER	6
OR	195844 01	COVER PLATE (UP TO 2025)	2	50	HSS-0084	SETSCREW	6
11	193363 01	ROTOR DEFLECTOR	2	51	WSH-0061	SPRING WASHER	3
12	199567 01	SEAL CLAMP LONG	4	52	199681 01	SCRAPER (321mm)	2
13	290125 02	TOP SIDE PLT RH	1	OR	290390 01	SCRAPER (112mm)	2
14	198811 02	SPACER	2	53	193248 01	RETAINING ROD	2
15	198485 02	NOSE RUNNER W/A RH	1	54	193251 01	RETAINING BAR	2
16	198958 02	LIGHT BRACKET RH	1	55	193244 01	HANDLE ASSY	2
17	199626 01	HEADER STAND LH	1	56	BLTA12380	BOLT	4
18	199626 02	HEADER STAND RH	1	57	HSS-0140	SETSCREW	18
19	198709 01	SIDE PLATE JOINER STRIP	2	58	WSH-1038	PENNY WASHER	8
20	290372 01	SPILL PLATE W/A	2	59	BPG-00200	BODY PLUG	1
21	198720 01	LEG LOCKING PIN	2	60	NUTA13087	NUTSERT	12
22	190119 05	WASHER	2	61	290588 01	COVER PLATE	1
23	195126 01	FORK LIFT SHOE PLATE	1	62	HSS-0086	SETSCREW	2
24	HSSF08174	TENSILOCK SETSCREW	36	63	POP-0006	POP RIVET (XCV42192961 & ON)	12
25	BLTA16710	HEX HEAD BOLT	2	64	199660 01	JOINING PLATE (XCV42192961 & ON)	2
26	NUT-0265	NYLOC NUT	35	65	199806 01	LH TOP CTR PLT(XCV42192961 & ON)	1
27	HSS-0191	SETSCREW	22	66	199806 02	RH TOP CTR PLT(XCV42192961 & ON)	1
28	HSS-0194	BOLT	16	67	291700 01	TAPERED SPILL PLATE W/A	4
29	NUT-0260	NYLOC NUT	14	68	291849 01	DEFLECTOR GUARD (2021 & ON)	2
30	NUT-0263	NYLOC NUT	50	69	291985 01	FILL IN PLATE (2023 & ON)	2
31	NUT-0271	NYLOC NUT	2	70	BLT-4710	COACH BOLT (2023 & ON)	4
32	CLP-00103	R CLIP	2	71	292891 01	SPACER PLATE (EARLY 2025 ONLY)	12
33	SCW-1735	CSK SOCKET HD SCW	6	72	292890 01	CAPPING PLATE (2025 & ON)	12
34	SCW-4960	BUTT HD SCREW	12	73	BPG-00140	RUBBER PLUG (XCS & XRS ONLY)	2
35	SPGC22015	COMPRESSION SPRING	2	74			
36	WSH-0009	PLAIN WASHER	20	75	292887 01	COVER PLATE (2025 & ON)	6
37	WSH-0012	PLAIN WASHER	78	76	SCBA08172	SOC HD SCREW (2025 & ON)	24
38	WSH-0015	PLAIN WASHER	39	77	HSS-0155	SETSCREW (2025 & ON)	6
39	WSH-0024	PLAIN WASHER	4	78	292706 01	LH STEP W/A (2025 & ON)	1

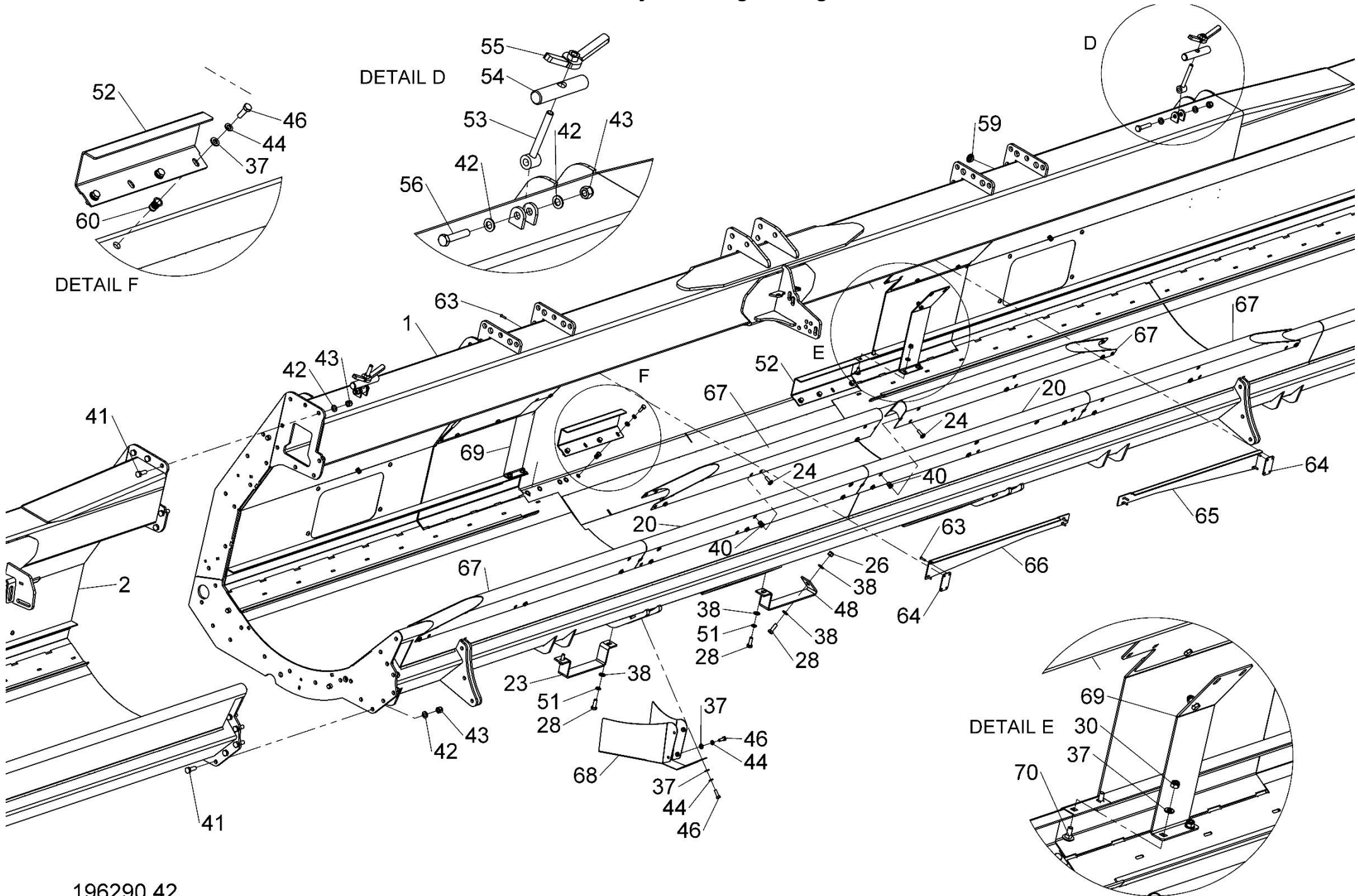
Shelbourne Reynolds Engineering Limited

ASSY NUMBER: 196290 42				ASSY DESCRIPTION: FRAME & PARTS SUB (EXCEL 42)			
ITEM	PART NO	DESCRIPTION	QTY	ITEM	PART NO	DESCRIPTION	QTY
79	292773 01	STRAP (2025 & ON)	1				
80	292697 01	RH STEP W/A (2025 & ON)	1				
81	HSS-0150	SETSCREW	2				
82	HSS-0250	SETSCREW	1				
83	HSS-0241	SETSCREW	2				
	290366 01	FLOOR REPAIR SHEET 3m (10')	2				
	290366 02	FLOOR REPAIR SHEET 2.4m (8')	2				



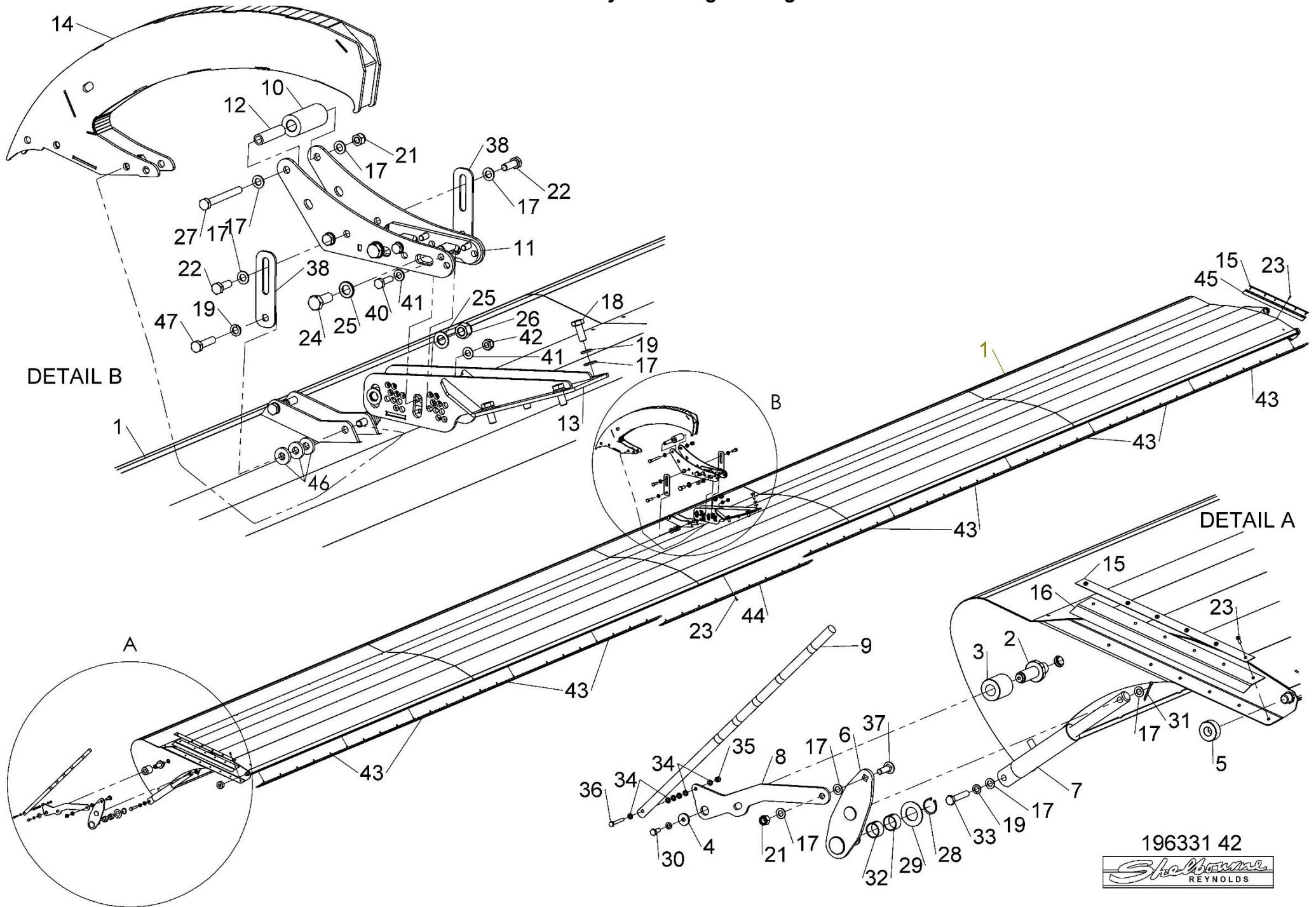


Shelbourne Reynolds Engineering Limited



Shelbourne Reynolds Engineering Limited

ASSY NUMBER: 196331 42				ASSY DESCRIPTION: CROP DEFLECTOR SUB ASSY (ONE PIECE 42')			
ITEM	PART NO	DESCRIPTION	QTY	ITEM	PART NO	DESCRIPTION	QTY
1	292660 01	CROP DEFLECTOR WA	1	35	NUT-0260	NYLOC NUT	1
2	195379 01	SPINDLE	2	36	HSSA06290	SET SCREW	1
3	192688 01	NYLON ROLLER	2	37	BLT-3800	COACHBOLT	2
4	190119 08	WASHER	2	38	199563 01	HOOD RESTRAINT	2
5	191642 01	NYLON ROLLER	2	39			
6	290717 01	LEVER ARM	2	40	HSS-0202	SET SCREW 2024 & ON	4
7	195075 01	HYDRAULIC RAM	2	OR	HSS-0198	SET SCREW UP TO 2024	4
7a	RMSK00030	RAM SEAL KIT		41	WSH-0015	PLAIN WASHER	8
8	290102 01	LINK ARM	2	42	NUT-0265	NYLOC NUT	4
9	192494 01	INDICATOR ROD	1	43	290871 01	BRUSH	9
10	292732 01	NYLON ROLLER (89mm) 2024 & ON	2	44	290872 01	BRUSH	1
OR	199804 01	NYLON ROLLER (69mm) UP TO 2024	2	45	292110 02	SIDE SEAL RH (SMOOTH SIDE UP)	1
11	292730 01	WIDE ROLLER GUIDE ARM 2024 & ON	1	46	292600 05	WASHER 2024 & ON	6
OR	199965 01	ROLLER GUIDE ARM UP TO 2024	1	47	HSS-0260	SET SCREW 2024 & ON	2
12	292731 01	SPACER (93.5mm) 2024 & ON	2				
OR	199188 01	SPACER (73.5mm) UP TO 2024	2				
13	199967 01	CROP DEF SUPPORT W/A	1				
14	199796 01	RHINO HORN W/A	1				
15	195433 01	CLAMP STRIP	2				
16	292110 01	SIDE SEAL LH (SMOOTH SIDE UP)	1				
17	WSH-0018	PLAIN WASHER	22				
18	HSS-0238	SET SCREW	4				
19	WSH-0065	SPRING WASHER	10				
20	WSH-0058	SPRING WASHER	2				
21	NUT-0269	NYLOC NUT	8				
22	HSS-0241	SET SCREW	4				
23	POP-0006	POP RIVET	75				
24	HSS-0318	SET SCREW 2024 & ON	4				
OR	HSS-0316	SET SCREW UP TO 2024	4				
25	WSH-0024	PLAIN WASHER	8				
26	NUT-0271	NYLOC NUT	4				
27	BLT-2273	HEX.HEAD BOLT 2024 & ON	2				
OR	BLTA12590	HEX.HEAD BOLT UPTO 2024	2				
28	CIR-1150	CIRCLIP EXT	2				
29	WSH-1547	PLAIN WASHER	2				
30	HSS-0140	SET SCREW	2				
31	PIN-1150	SPLIT PIN	2				
32	BSHK03047	BUSH PLAIN	4				
33	BLTA12410	BOLT	2				
34	WSH-0009	PLAIN WASHER	6				

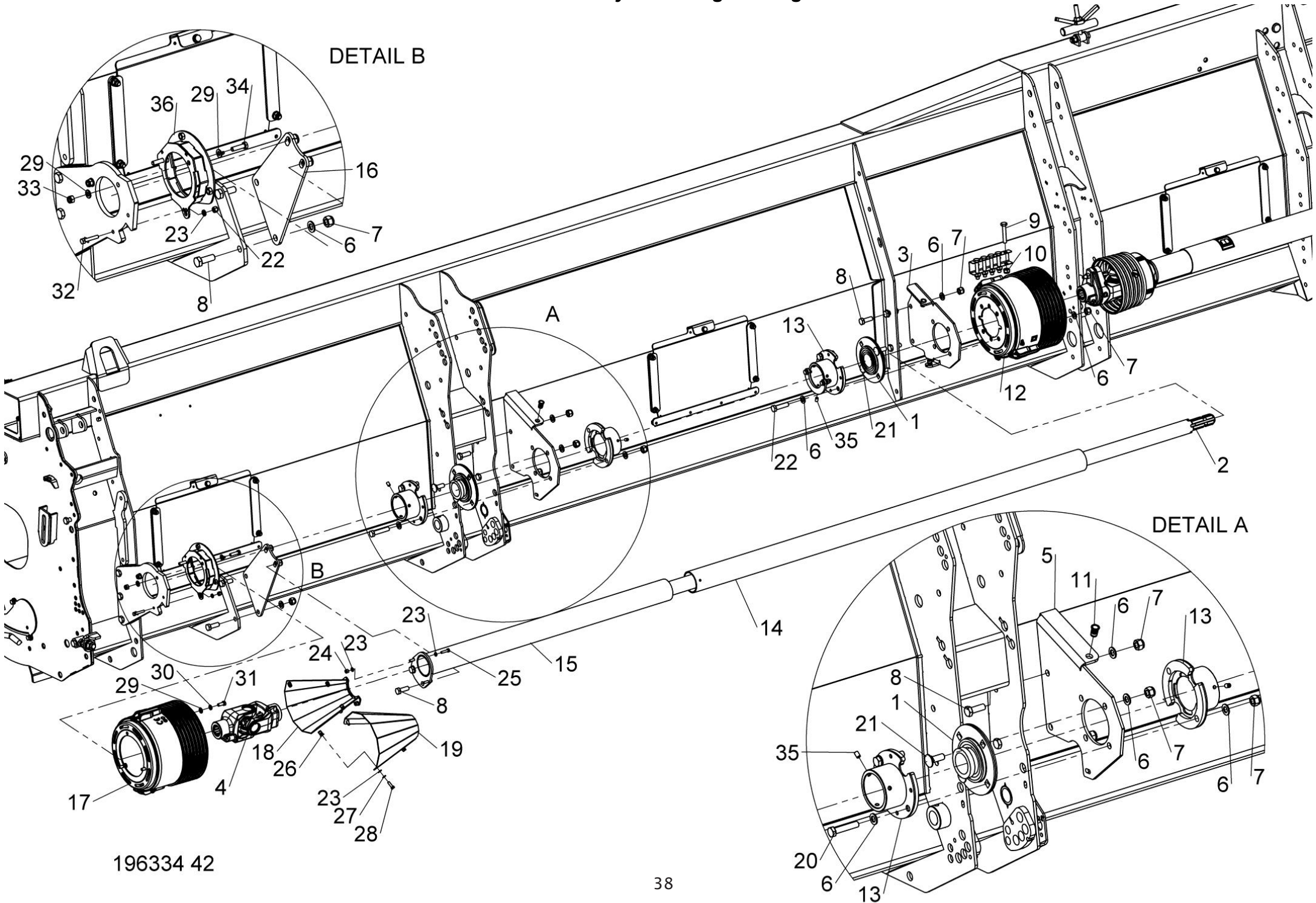


196331 42



Shelbourne Reynolds Engineering Limited

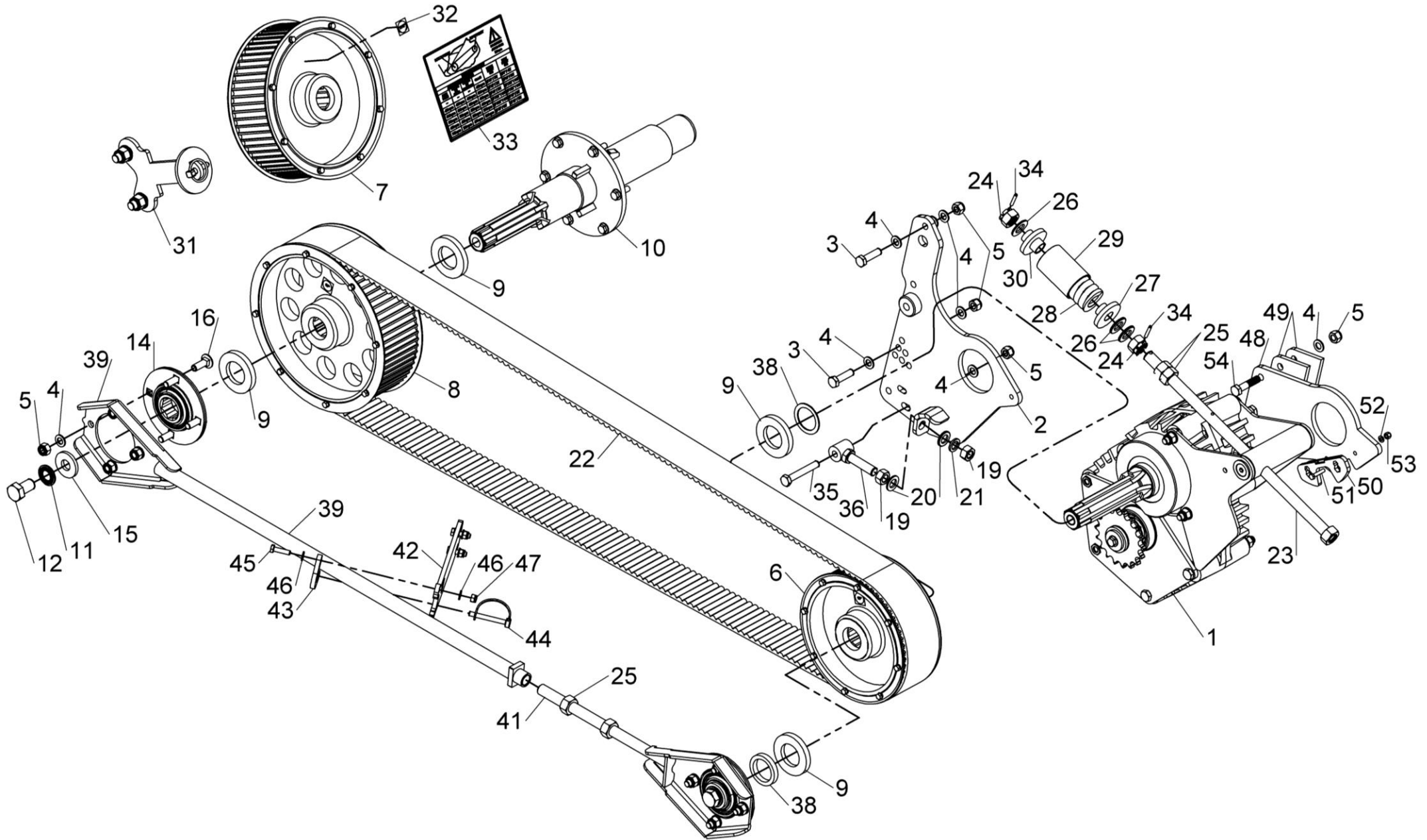
ASSY NUMBER: 196334 42				ASSY DESCRIPTION: REAR DRIVE SHAFT SUB ASSY(42') (2025 & ON)			
ITEM	PART NO	DESCRIPTION	QTY	ITEM	PART NO	DESCRIPTION	QTY
1	BRG-24500	BEARING	2				
2	192982 16	DRIVE SHAFT	1				
3	292941 01	SHAFT SUPPORT BRKT	2				
4	PTO-24000WE	PTO COUPLING	1				
5							
6	WSH-0018	PLAIN WASHER	22				
7	NUT-0269	NYLOC NUT	16				
8	HSS-0241	SETSCREW	8				
9	BLTA10384	SHEAR BOLT	5				
10	NUT-0265	NYLOC NUT	5				
11							
12	PTO-00975	PTO CONE	1				
13	292901 01	GUARD SUPPORT W/A	3				
14	292902 01	INNER DRIVER SHAFT GUARD	1				
15	292931 01	DRIVE SHAFT GUARD W/A	1				
16	292172 01	MOUNTING BRKT	1				
17	290626 01	PTO CONE	1				
18	292159 01	PTO CONE W/A	1				
19	292903 01	PTO CONE	1				
20	BLTA12380	BOLT	2				
21	BLTF12233	COACHBOLT	4				
22	HSS-0260	SETSCREW	2				
23	WSH-0009	WASHER	9				
24	NUT-0260	NUT	3				
25	HSS-0088	SETSCREW	2				
26	NUTA13060	NUTSERT	4				
27	WSH-0056	WASHER	4				
28	HSS-0086	SETSCREW	4				
29	WSH-0012	WASHER	7				
30	WSH-0058	WASHER	3				
31	HSS-0140	SETSCREW	3				
32	HSS-0096	SETSCREW	1				
33	NUT-0263	NUT	2				
34	HSS-0150	SETSCREW	2				
35	SCW-4540	GRUB SCREW	9				
36	292899 01	PTO CONE MTG W/A	1				



196334 42

Shelbourne Reynolds Engineering Limited

ASSY NUMBER: 196343 01				ASSY DESCRIPTION: EXCEL HTD DRIVE SUB ASSY (XRS 2024 & ON) (XCS 2025 & ON)			
ITEM	PART NO	DESCRIPTION	QTY	ITEM	PART NO	DESCRIPTION	QTY
1	GEA-0067	INPUT GEARBOX (HTD) SEE GEA-0067 PAGE FOR PARTS BREAKDOWN	1	35	BLTA12500	HEX HEAD BOLT	1
				36	199412 01	ADJUSTER W/A	1
				37			
2	290928 01	GEARBOX SUPPORT PLA W/A	1	38	190119 71	WASHER (2mm)	A/R
3	BLTA12290	HEX HEAD BOLT	2	38	190119 73	WASHER (12mm)	A/R
4	WSH-0018	PLAIN WASHER	12	38	198800 75	WASHER (4mm)	A/R
5	NUT-0269	NYLOC NUT	11	38	198800 76	WASHER (6mm)	A/R
6	292538 01	HTD PULLEY (56T, 10")	1	38	198800 77	WASHER (10mm)	A/R
7	292539 01	HTD PULLEY (64T, 11½")	1	38	198800 78	WASHER (8mm)	A/R
8	292540 01	HTD PULLEY (72T, 13")	1	39	292854 01	TIE ROD W/A	1
9	292858 01	HTD PULLEY WASHER	4	40			
10	292860 01	DRIVE SHAFT W/A	1	41	292856 01	THREADED TIE ROD W/A	1
11	WSHA30201	LOCKWASHER	2	42	292954 01	TIE ROD RETAINER	1
12	HSSD20230	SET SCREW	2	43	199740 01	RETAINING PLATE	1
13				44	PIN-1720	SPRING PIN	1
14	BRG-43000	BEARING	2	45	HSS-0150	SETSCREW	3
15	292600 01	WASHER	2	46	WSH-0012	PLAIN WASHER	6
16	BLTF12233	COACHBOLT	8	47	NUT-0263	NYLOC NUT	3
17				48	199450 01	G BOX MTG BRKT	1
18				49	198548 01	PACKER PLATE	2
19	NUT-0180	PLAIN NUT	2	50	198322 01	OIL LEVEL VIEWER	1
20	WSH-0024	PLAIN WASHER	2	51	HSS-0096	SETSCREW	2
21	WSH-0070	SPRING WASHER	1	52	WSH-0009	PLAIN WASHER	2
22	BEL-55350	BELT	1	53	NUT-0260	NYLOC NUT	2
23	198029 01	GEARBOX ADJUSTER ROD	1	54	BLTA12350	HEX.HEAD BOLT	3
24	NUT-0580	CASTLE NUT	2				
25	NUT-0185	HEX NUT	4				
26	WSH-0030	PLAIN WASHER	3				
27	199737 01	SPRING BOSS	1				
28	SPGE02530	DIE SPRING	1				
29	199736 01	SPRING SETTING TUBE	1				
30	199738 01	SPRING BOSS	1				
31	KIT-01336	SPARE PULLEY MOUNTING KIT SEE KIT-01336 PAGE FOR PARTS BREAKDOWN	1				
32	199413 01	PULLEY IDENTIFICATION DECAL	1				
33	290910 01	SPEED SELECTION DECAL (XRS)	1				
OR	292044 01	SPEED SELECTION DECAL (XCS)	1				
34	PIN-1620	ROLL PIN	2				



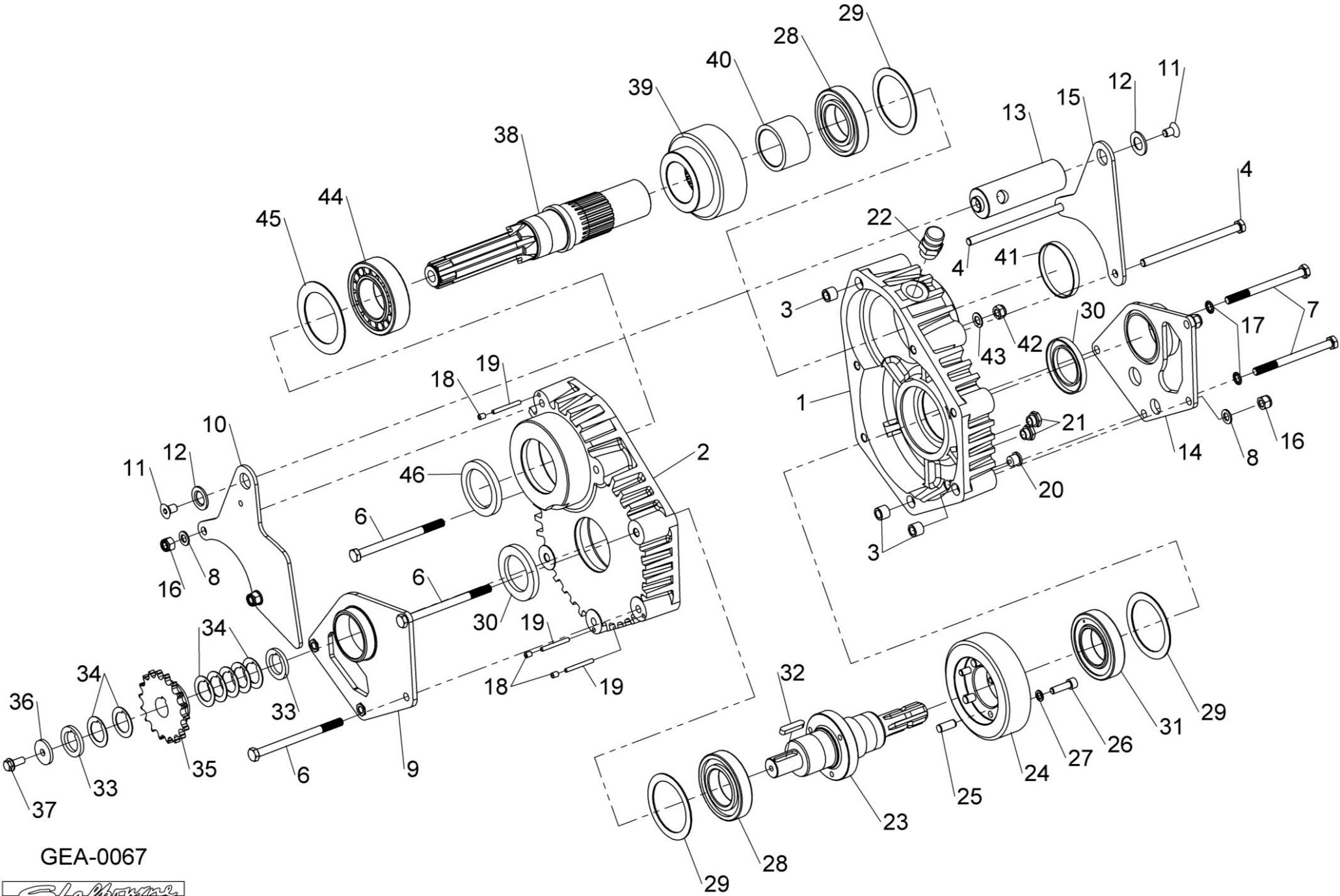
196343 01



Shelbourne Reynolds Engineering Limited

ASSY NUMBER: GEA-0067				ASSY DESCRIPTION: INPUT GEARBOX HTD DRIVE			
ITEM	PART NO	DESCRIPTION	QTY	ITEM	PART NO	DESCRIPTION	QTY
1	197619 03	CASE HALF	1	35	192768 18	AUGER DRIVE SPROCKET (18T)	1
2	197619 04	CASE HALF	1	OR	192768 04	AUGER DRIVE SPROCKET (16T)	1
3	192598 01	DOWEL	3	OR	192768 16	AUGER DRIVE SPROCKET (15T)	1
4	BLTA12810	HEX HEAD BOLT	2	OR	192768 10	AUGER DRIVE SPROCKET (22T)	1
5				OR	192768 08	AUGER DRIVE SPROCKET (13T)	1
6	BLTA12750	HEX HEAD BOLT	3	OR	192768 20	AUGER DRIVE SPROCKET (12T)	1
7	BLT-2276	HEX HEAD BOLT	2	36	190548 01	RETAINING WASHER	1
8	WSH-0018	PLAIN WASHER	4	37	HSSF10174	SET SCREW	1
9	198021 01	G/BOX MOUNTING PLT LH	1	38	292530 01	PINION SHAFT (HEX)	1
10	198026 01	G/BOX ADJ PLT LH	1	39	198999 09	PINION GEAR (32 TOOTH)	1
11	SCW-1930	CSK SKT HD SCREW	2	OR	198999 11	PINION GEAR (34 TOOTH)	1
12	198024 01	CSK WASHER	2	OR	198999 12	PINION GEAR (30 TOOTH)	1
13	198023 01	GEARBOX ADJUSTER	1	OR	198999 13	PINION GEAR (36 TOOTH)	1
14	198022 01	G/BOX MOUNTING PLT RH	1	40	198942 01	SPACER	1
15	198025 01	G/BOX ADJ PLT RH	1	41	SEAZ09000	PLUG SEAL	1
16	NUT-0269	NYLOC NUT	4	42	NUT-0270	NYLOC NUT (THIN)	1
17	WSHA20121	SHAKEPROOF WASHER	2	43	WSH-0019	PLAIN WASHER (FORM B)	1
18	SCW-4535	SOCKET GRUBSCREW	3	44	BRG-16585	BEARING (65mm)	1
19	192597 01	JACKING ROD VS	3	45	198927 01	SPACER RING (2mm)	1
20	FIT-0253	PLUG	1	OR	198927 02	SPACER RING (1.6mm)	A/R
21	FITD00005	SIGHT GLASS/SEAL	2	OR	198927 03	SPACER RING (1.2mm)	A/R
22	FIT-0255	BREATHER	1	OR	198927 04	SPACER RING (1mm)	A/R
23	192591 01	INPUT SHAFT	1	46	SEAB06500	SHAFT SEAL (65mm)	1
24	192592 09	INPUT GEAR (37 TOOTH)	1				
OR	192592 11	INPUT GEAR (35 TOOTH)	1				
OR	192592 12	INPUT GEAR (39 TOOTH)	1		GEA-0067JD/CIH	SPARES GEARBOX ASSY C/W 37T & 32T GEARS	
OR	192592 13	INPUT GEAR (33 TOOTH)	1		GEA-0067LEX/CNH	SPARES GEARBOX ASSY C/W 33T & 36T GEARS	
25	PIN-61217	DOWEL PIN	3				
26	SCW-0196	CAP HEAD SCREW	3				
27	WSH-0061	SPRING WASHER	3				
28	BRG-7040	BEARING	2				
29	192596 01	SPACER RING (2mm)	3			ABOVE SPARE GEARBOX ASSY DO NOT INCLUDE ADJUSTER PLATES & AUGER SPROCKET, ITEMS, 10, 11, 12, 13, 15, 33, 34, 35, 36 & 37	
OR	192596 02	SPACER RING (1.6mm)	A/R				
OR	192596 03	SPACER RING (1.2mm)	A/R				
OR	192596 04	SPACER RING (1mm)	A/R				
30	SEA-0590	SHAFT SEAL	2				
31	BRG-16080	BEARING	1				
32	K1008045	KEY	1				
33	191692 01	SPACER	2				
34	191692 02	SPACER	7				

Shelbourne Reynolds Engineering Limited

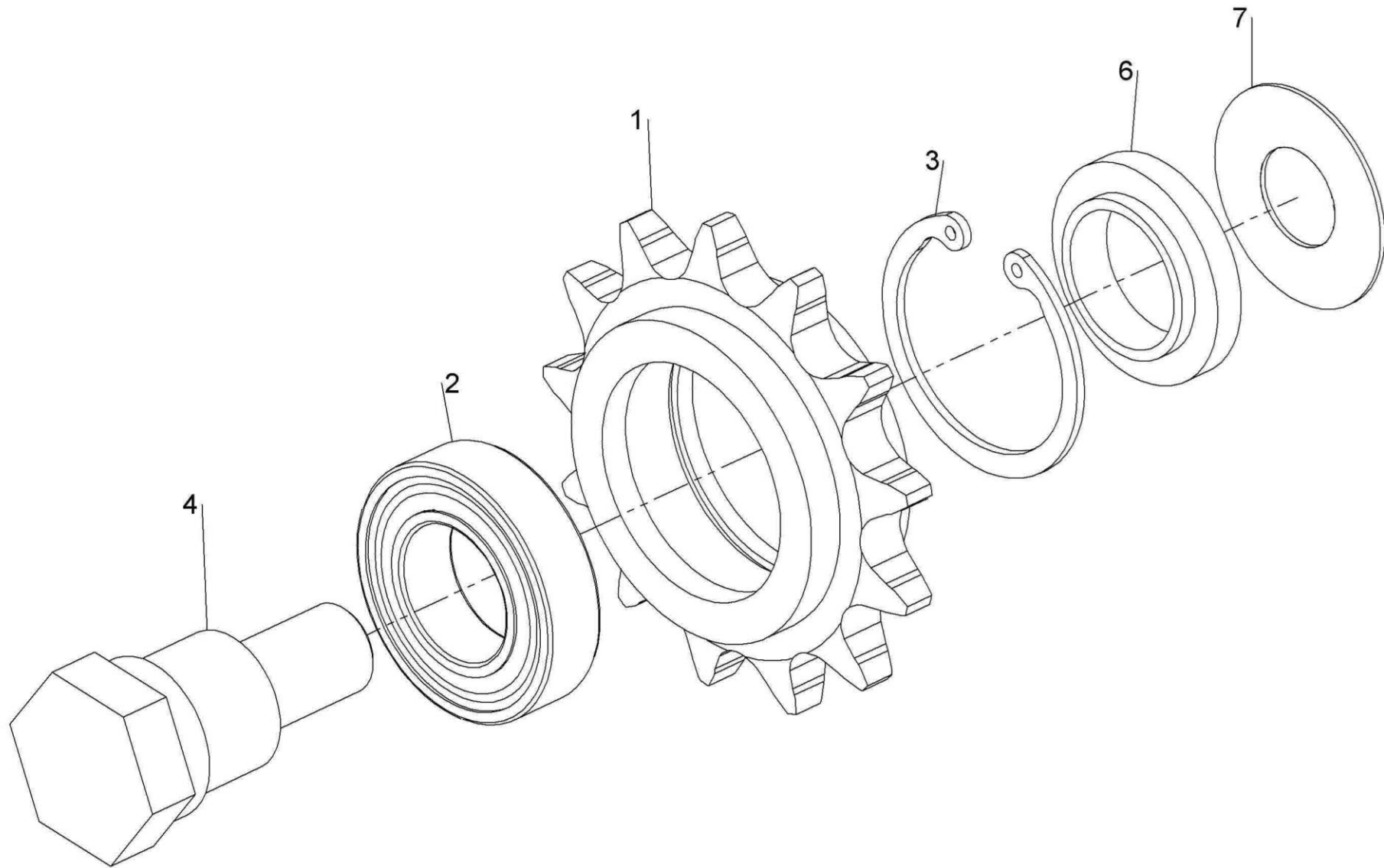


GEA-0067



Shelbourne Reynolds Engineering Limited

ASSY NUMBER: KIT-00112				ASSY DESCRIPTION: IDLER ASSY KIT			
ITEM	PART NO	DESCRIPTION	QTY	ITEM	PART NO	DESCRIPTION	QTY
1	131041 01	JOCKEY SPKT 133/4P	1				
2	BRG-1995	SUPPORT	1				
3	CIR-0470	CIRCLIP INT	1				
4	190060 11	AUGER IDLE SPINDLE	1				
5							
6	191040 01	SPACER	1				
7	190548 04	WASHER	2				

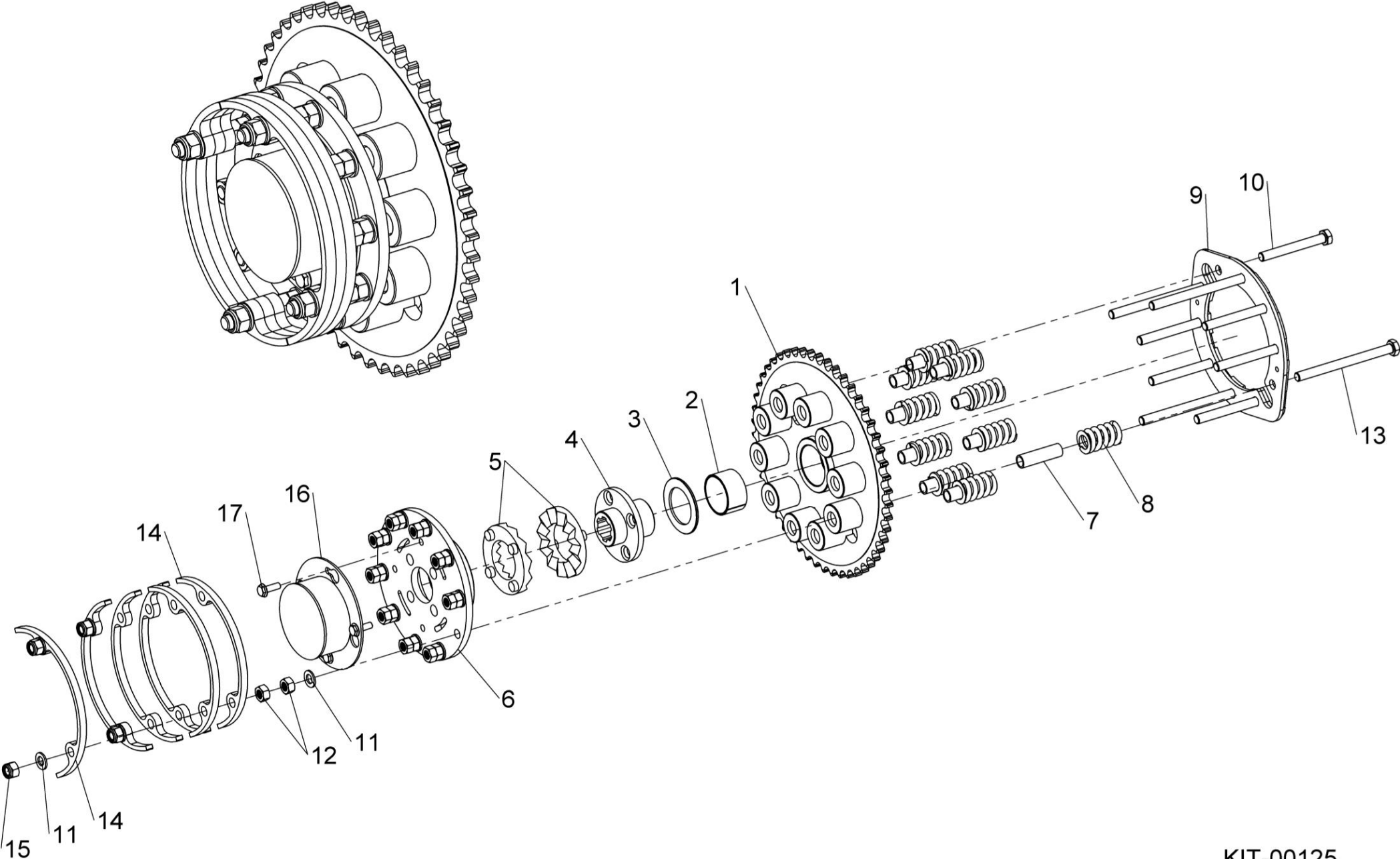


KIT-00112



Shelbourne Reynolds Engineering Limited

ASSY NUMBER: KIT-00125				ASSY DESCRIPTION: AUGER SLIP CLUTCH (10 SPRING)			
ITEM	PART NO	DESCRIPTION	QTY	ITEM	PART NO	DESCRIPTION	QTY
1	290418 01	50T SPROCKET ASSY	1				
2	BSHK05056	BUSH	1				
3	192008 02	THRUST WASHER	1				
4	195850 01	SPLINED CLUTCH HUB	1				
5	131005	CLUTCH PLATE	2				
6	293084 01	DRIVE DISC W/A	1				
7	131073 04	SPACER	10				
8	131063	SPRING	10				
9	290336 01	LOCKING RING	1				
10	BLT-2270	BOLT	6				
11	WSH-0018	PLAIN WASHER	14				
12	NUT-0170	PLAIN NUT	20				
13	HSSA12710	SETSCREW	4				
14	290403 01	BELT SLIPPER	6				
15	NUT-0269	NYLOC NUT	4				
16	293080 01	CLUTCH END COVER	1				
17	HSSF08174	SETSCREW	4				

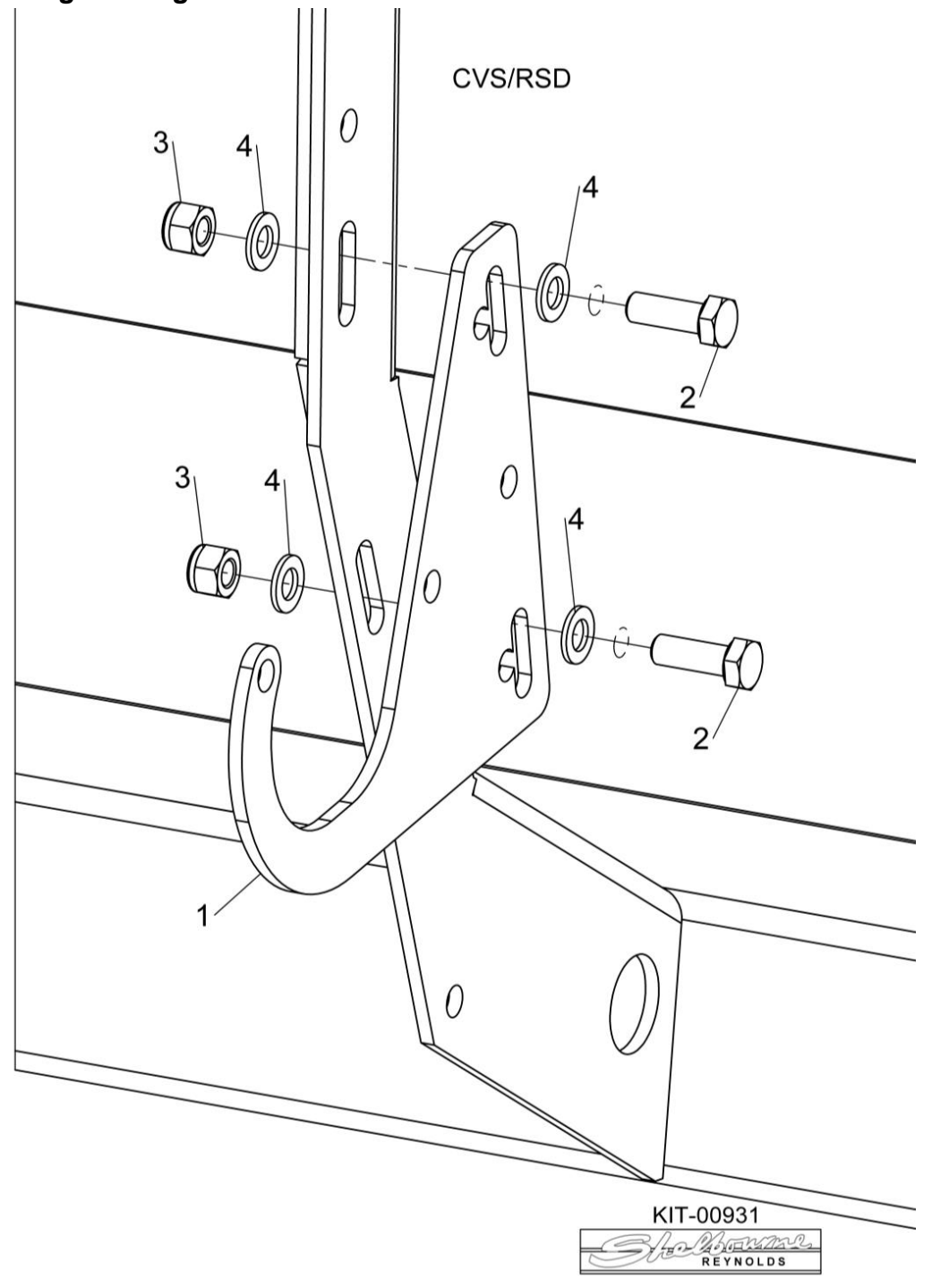
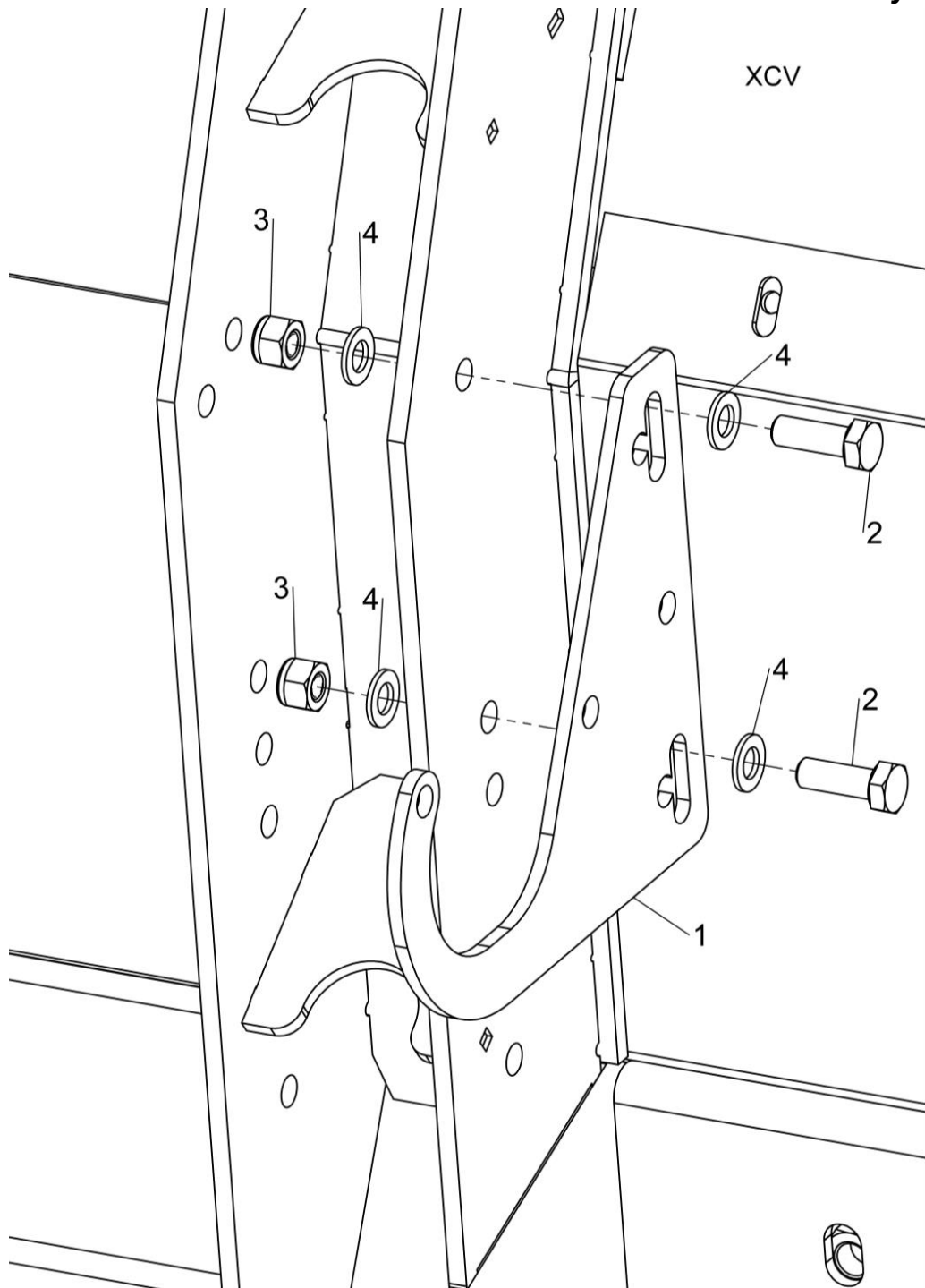


KIT-00125



Shelbourne Reynolds Engineering Limited

ASSY NUMBER: KIT-00931				ASSY DESCRIPTION: PTO SUPPORT KIT			
ITEM	PART NO	DESCRIPTION	QTY	ITEM	PART NO	DESCRIPTION	QTY
1	191945 01	PTO SUPPORT	1				
2	HSS-0241	SETSCREW	2				
3	NUT-0269	NYLOC NUT	2				
4	WSH-0018	PLAIN WASHER	4				

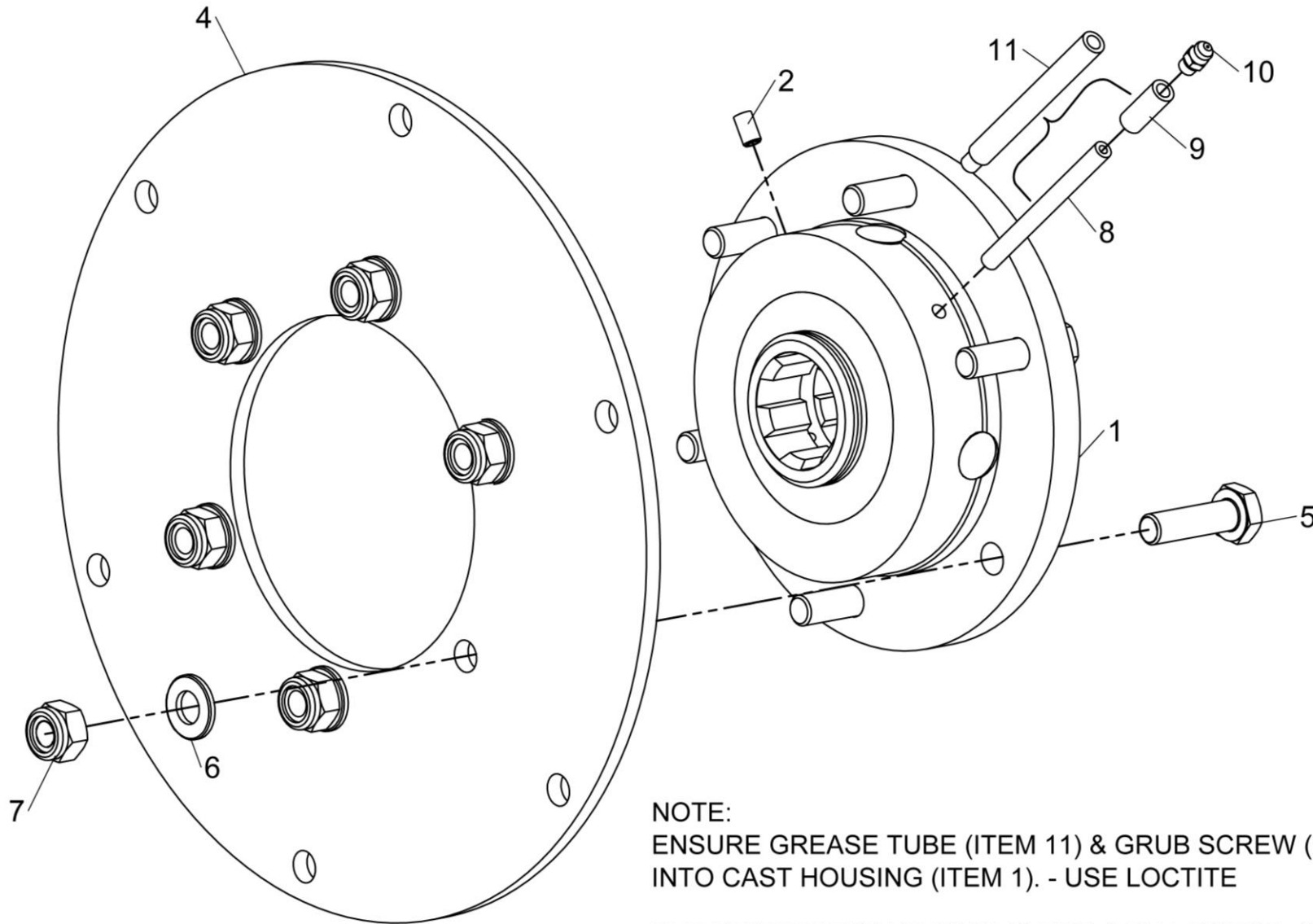


KIT-00931



Shelbourne Reynolds Engineering Limited

ASSY NUMBER: KIT-00976				ASSY DESCRIPTION: BALL JOINT CTR COUPLING			
ITEM	PART NO	DESCRIPTION	QTY	ITEM	PART NO	DESCRIPTION	QTY
1	193114 01	SPLINED BALL ASSY	1				
OR	193114P	SPARE SPLINED BALL ASSY (ALTERNATIVE TO 193114 01)					
2	SCW-4530	GRUBSCREW	1				
3							
4	193106 01	DRIVE RING PLATE	1				
5	HSS-0198	SETSCREW	6				
6	WSH-0015	PLAIN WASHER	6				
7	NUT-0265	NYLOC NUT	6				
8	193077 01	GREASE PIPE (UPTO 2022)	1				
9	193078 01	GREASE PIPE SLEEVE (UPTO 2022)	1				
10	NIP-00600	GREASE NIPPLE	1				
11	292226 01	GREASE PIPE (2022 & ON) SUPPLY IN PLACE OF ITEMS 8 & 9	1				



NOTE:

ENSURE GREASE TUBE (ITEM 11) & GRUB SCREW (ITEM 2) ARE ASSEMBLED INTO CAST HOUSING (ITEM 1). - USE LOCTITE

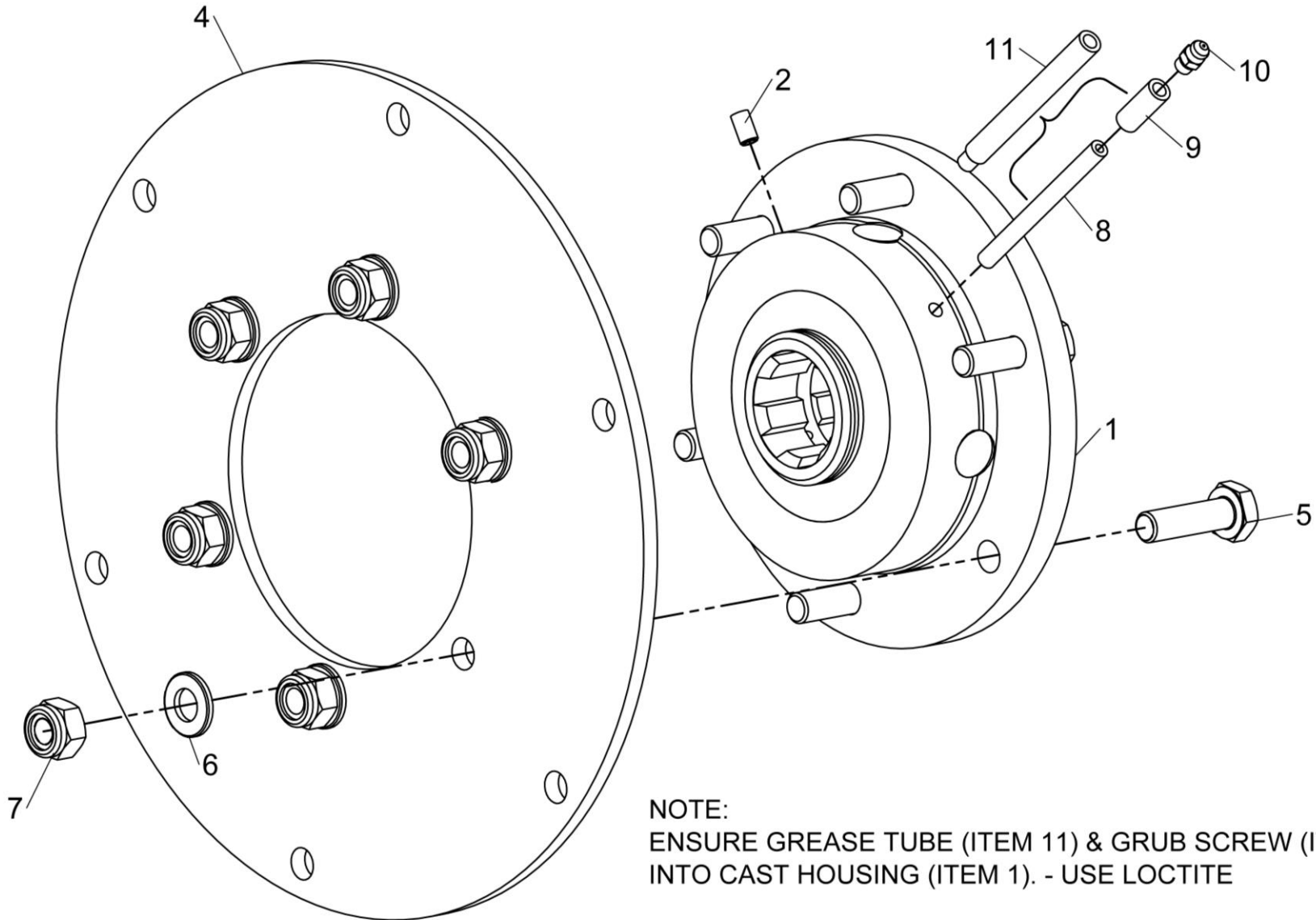
THE ORIENTATION SHOWN IS FOR A R.H. ROTOR, SWAP ITEMS 2 & 11 FOR A LH ROTOR

KIT-00976



Shelbourne Reynolds Engineering Limited

ASSY NUMBER: KIT-00976A				ASSY DESCRIPTION: BALL JOINT CTR COUPLING			
ITEM	PART NO	DESCRIPTION	QTY	ITEM	PART NO	DESCRIPTION	QTY
1	193114 05	SPLINED BALL	1				
OR	193114P	SPARE SPLINED BALL ASSY (ALTERNATIVE TO 193114 01)					
2							
3			1				
4	193106 01	DRIVE RING PLATE					
5	HSS-0198	SETSCREW	6				
6	WSH-0015	PLAIN WASHER	6				
7	NUT-0265	NYLOC NUT	6				
8	193077 01	GREASE PIPE (UPTO 2022)	1				
9	193078 01	GREASE PIPE SLEEVE (UPTO 2022)	1				
10	NIP-00600	GREASE NIPPLE	1				
11	292226 01	GREASE PIPE (2022 & ON) SUPPLY IN PLACE OF ITEMS 8 & 9	1				



NOTE:

ENSURE GREASE TUBE (ITEM 11) & GRUB SCREW (ITEM 2) ARE ASSEMBLED INTO CAST HOUSING (ITEM 1). - USE LOCTITE

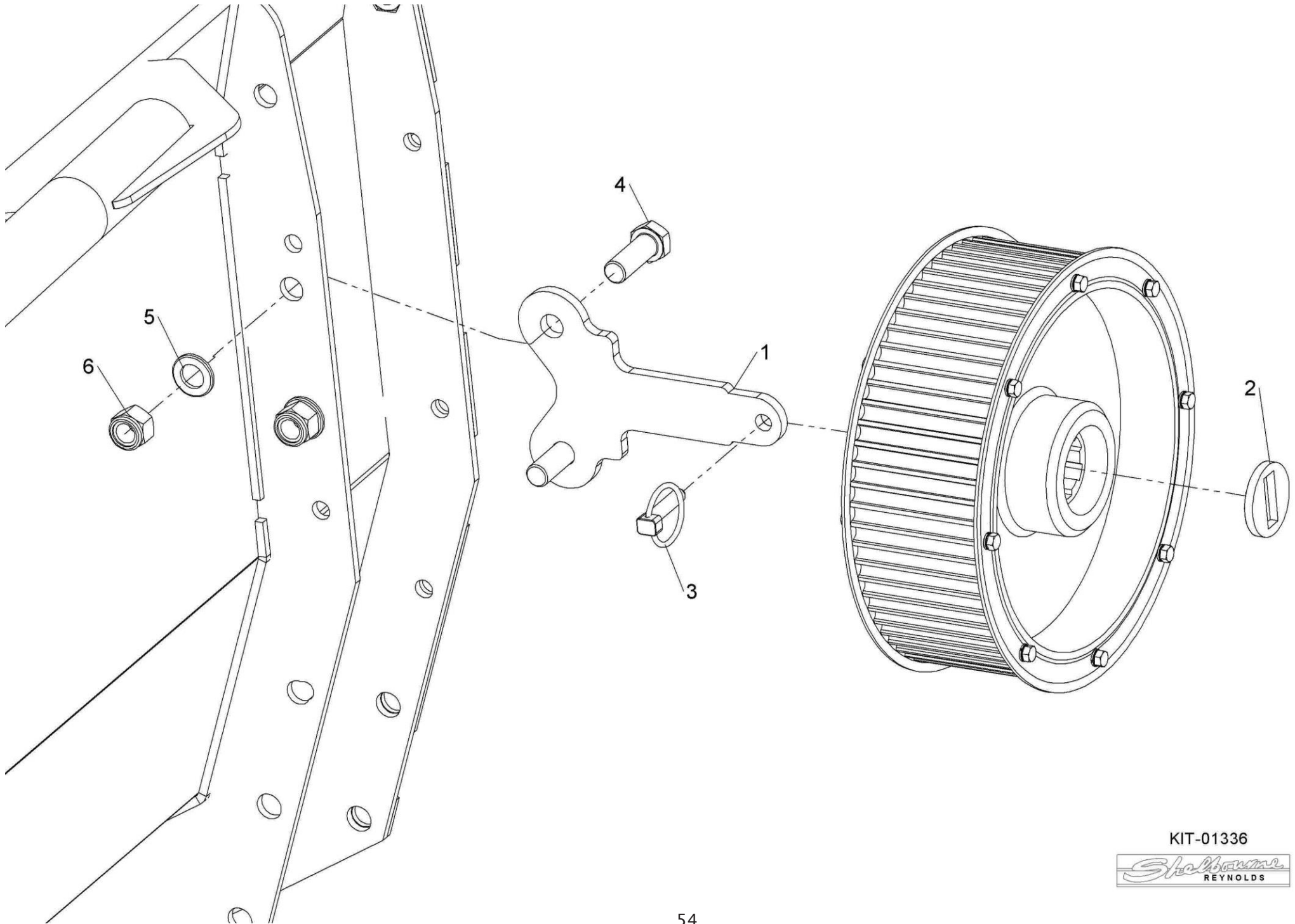
THE ORIENTATION SHOWN IS FOR A R.H. ROTOR, SWAP ITEMS 2 & 11 FOR A LH ROTOR

KIT-00976



Shelbourne Reynolds Engineering Limited

ASSY NUMBER: KIT-01336				ASSY DESCRIPTION: SPARE PULLEY MOUNTING			
ITEM	PART NO	DESCRIPTION	QTY	ITEM	PART NO	DESCRIPTION	QTY
1	290487 01	PULLEY HOLDER (2018 & ON)	1				
OR	197210 01	PULLEY MTG BRACKET (UPTO 2018)	1				
2	291035 01	WASHER (2022 & ON)	1				
OR	197212 01	WASHER (UPTO 2022)	1				
3	PIN-01950	LYNCH PIN	1				
4	HSS-0317	SET SCREW (2018 & ON)	2				
OR	HSS-0317	SET SCREW (UPTO 2018)	4				
5	WSH-0024	PLAIN WASHER (2018 & ON)	2				
OR	WSH-0024	PLAIN WASHER (UPTO 2018)	4				
6	NUT-0271	NYLOC NUT (2018 & ON)	2				
OR	NUT-0271	NYLOC NUT (UPTO 2018)	4				

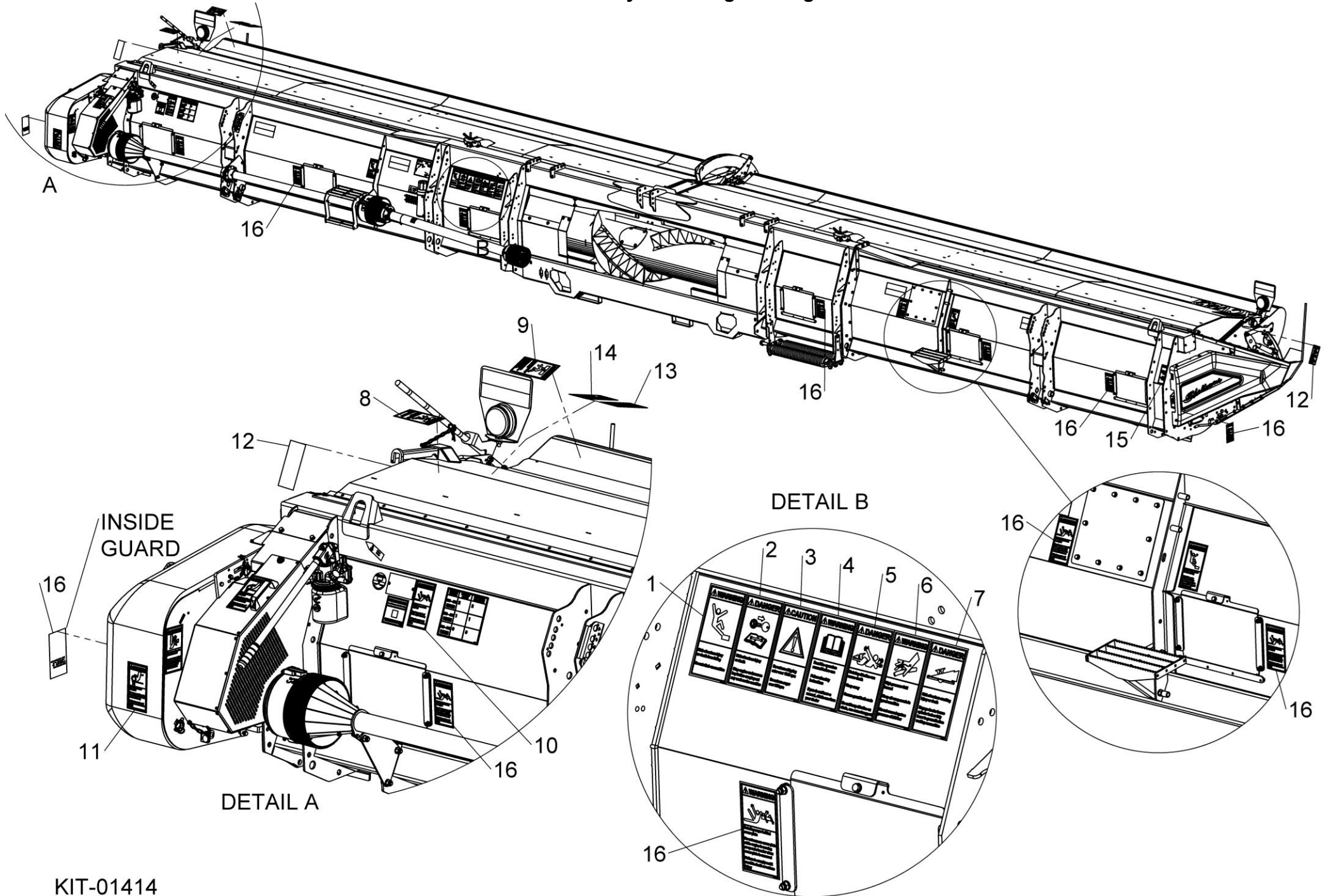


KIT-01336



Shelbourne Reynolds Engineering Limited

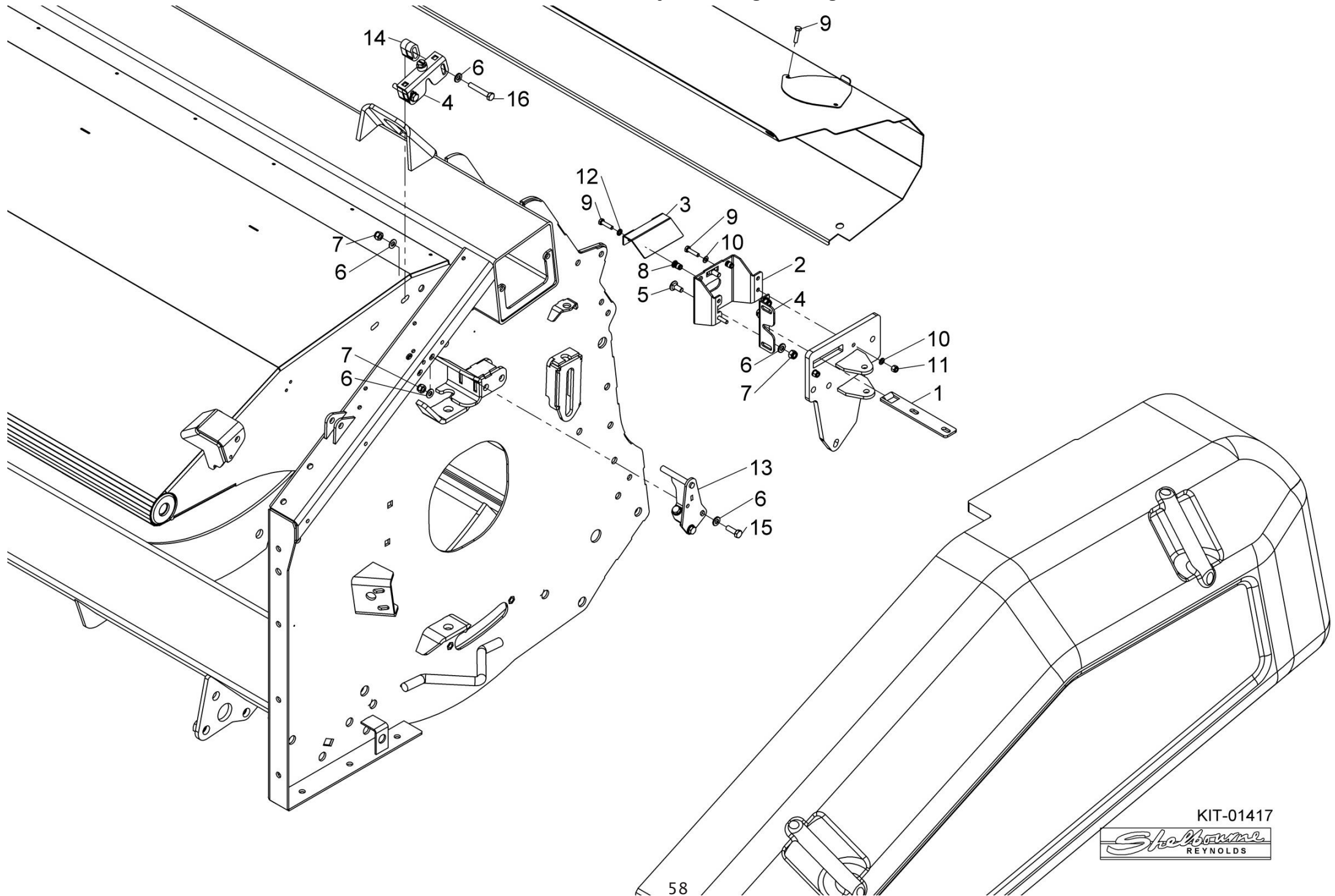
ASSY NUMBER: KIT-01414				ASSY DESCRIPTION: SAFETY DECAL KIT NORTH AMERICA 2025 (EXCEL)			
ITEM	PART NO	DESCRIPTION	QTY	ITEM	PART NO	DESCRIPTION	QTY
1	198835 01	EMBLEM - DO NOT CLIMB	1				
2	198840 01	EMBLEM - STOP ENGINE	1				
3	198838 01	EMBLEM - SPEED RESTRICTION	1				
4	199011 01	EMBLEM - READ OPS MANUAL	1				
5	198842 01	EMBLEM - ROTATING DRIVE LINE	1				
6	198832 01	EMBLEM - HIGH PRESSUE FLUID	1				
7	198844 01	EMBLEM - RISK OF CRUSHING	1				
8	198843 01	EMBLEM - HOOD LOCK	1				
9	198836 01	EMBLEM - CROP DEFLECTOR LOCK	1				
10	198839 01	EMBLEM - AUGER	1				
11	198837 01	EMBLEM - MOVING PARTS UNDER	1				
12	198833 01	EMBLEM - CROP DEFLECTOR HAND	2				
13	198841 01	EMBLEM - ROTOR KEEP AWAY	2				
14	198834 01	EMBLEM - STAND CLEAR ROTOR	2				
15	291968 01	EMBLEM - P65	1				
16	292942 01	EMBLEM - ROTATING AUGER	9				



KIT-01414

Shelbourne Reynolds Engineering Limited

ASSY NUMBER: KIT-01417				ASSY DESCRIPTION: CE AREA KIT (XCV)			
ITEM	PART NO	DESCRIPTION	QTY	ITEM	PART NO	DESCRIPTION	QTY
1	290647 01	SLAM LATCH CATCH	1				
2	290635 01	SLAM LATCH MOUNTING	1				
3	290636 01	COVER PLATE	1			REMOVE REAR GUARD THUMB SCREW	
4	LTC-00040	SLAM LATCH	2			AND REPLACE WITH ITEM 5	
5	BLT-4710	COACH BOLT	2				
6	WSH-0012	PLAIN WASHER	12			REMOVE TOP GUARD LOCATING	
7	NUT-0263	NYLOC NUT	7			PLATE AND REPLACE WITH ITEM 1	
8	NUTA13060	NUTSERT	2				
9	HSS-0088	SETSCREW	5			TRIM TOP CORNER FROM GUARD	
10	WSH-0009	PLAIN WASHER	4			SLAM LATCH	
11	NUT-0260	NYLOC NUT	2				
12	WSH-0056	SPRING WASHER	2				
13	290570 01	SLAM LATCH PIN	1				
14	290738 01	SLAM LATCH SPACER	2				
15	HSS-0145	SETSCREW	3				
16	HSS-0157	SETSCREW	2				

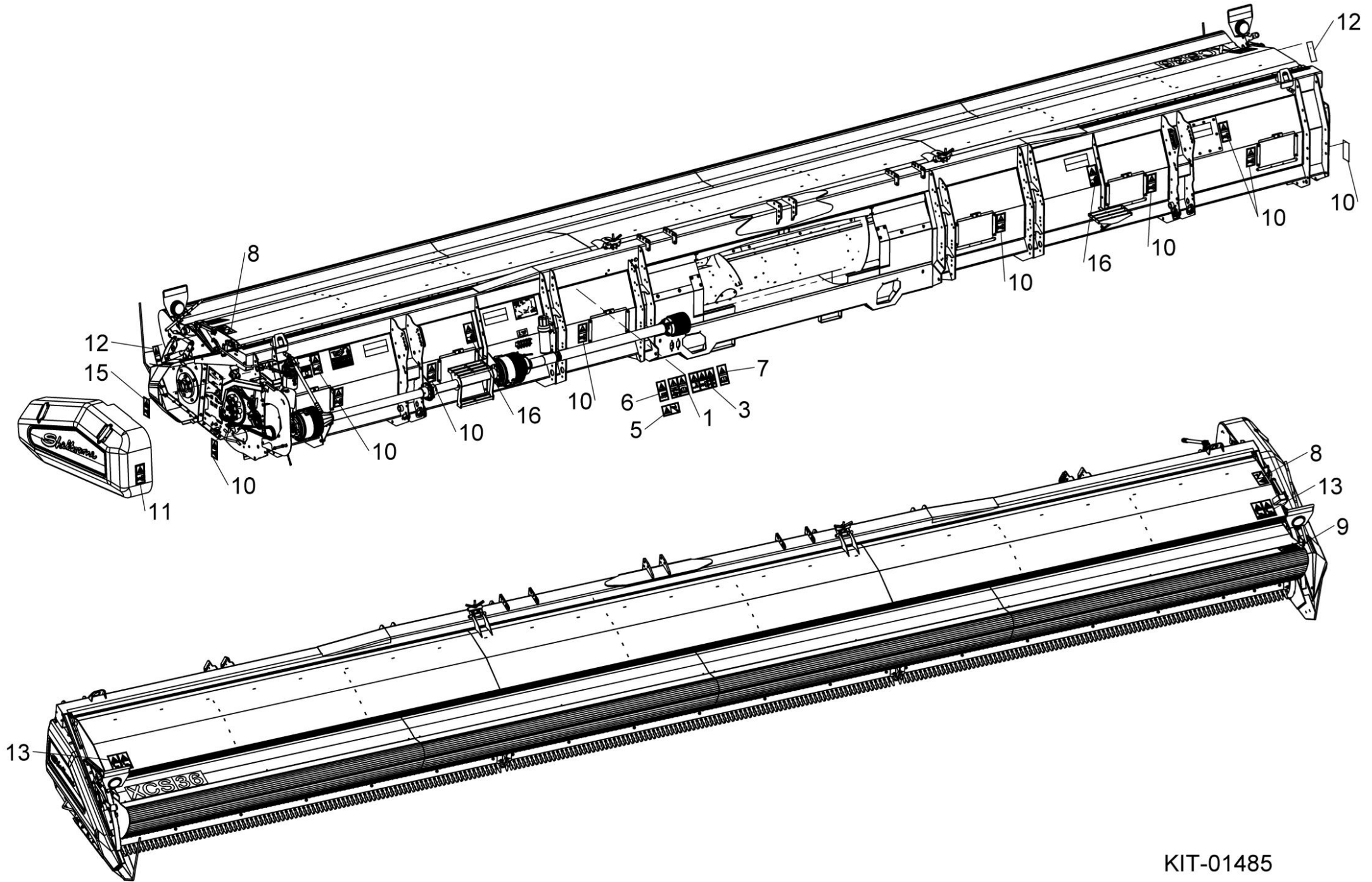


KIT-01417



Shelbourne Reynolds Engineering Limited

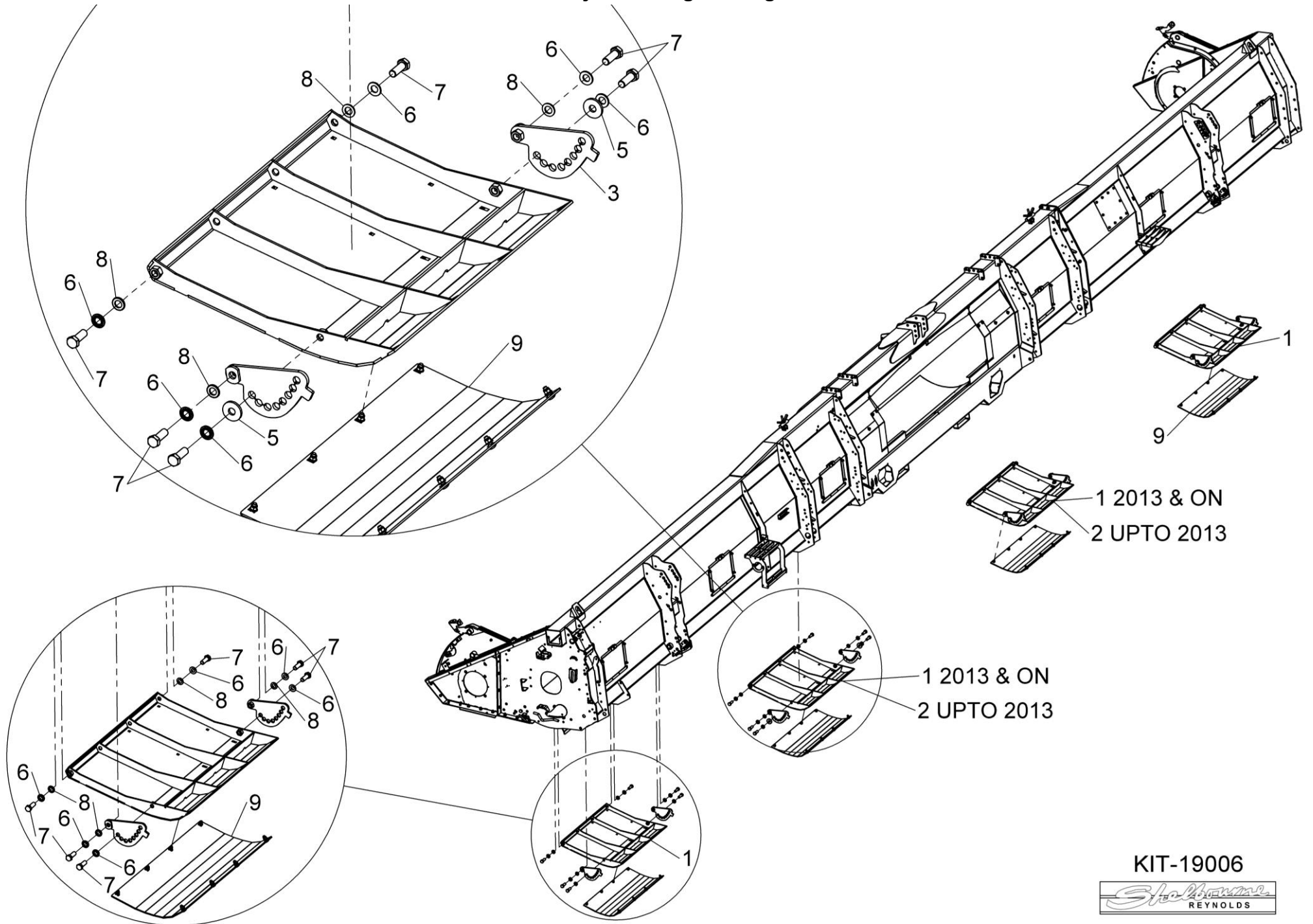
ASSY NUMBER: KIT-01485				ASSY DESCRIPTION: SAFETY DECAL KIT ISO			
ITEM	PART NO	DESCRIPTION	QTY	ITEM	PART NO	DESCRIPTION	QTY
1	TNF-0011	EMBLEM - SAFETY MAINTENANCE	1				
2		OPERATORS MANUAL					
3	TNF-0012	EMBLEM - PTO GUARDS	1				
4		ROTOR/AUGER SPEED PTO CHAIN					
5	210435 01	EMBLEM - FEEDER HOUSE LOCK	1				
6	198847 01	EMBLEM - CLIMBING	1				
7	198846 01	EMBLEM - HIGH PRESSURE OIL	1				
8	210435 01	EMBLEM - HOOD LOCK	1				
9	198845 01	EMBLEM - CROP DEFLECTOR LOCK	1				
10	193393 01	EMBLEM - AUGER	10				
11	193392 01	EMBLEM - MOVING PARTS UNDER	2				
12	800215 01	EMBLEM - CROP DEFLECTOR HAND	2				
13	TNF-0010	EMBLEM - FLYING OBJECTS	2				
14		ROTOR ENTANGLEMENT					
15	193392 01	EMBLEM - MOVING PARTS	1				
16	293636 01	EMBLEM - DO NOT CLIMB/STEP WITH ENGINE RUNNING	2				



KIT-01485

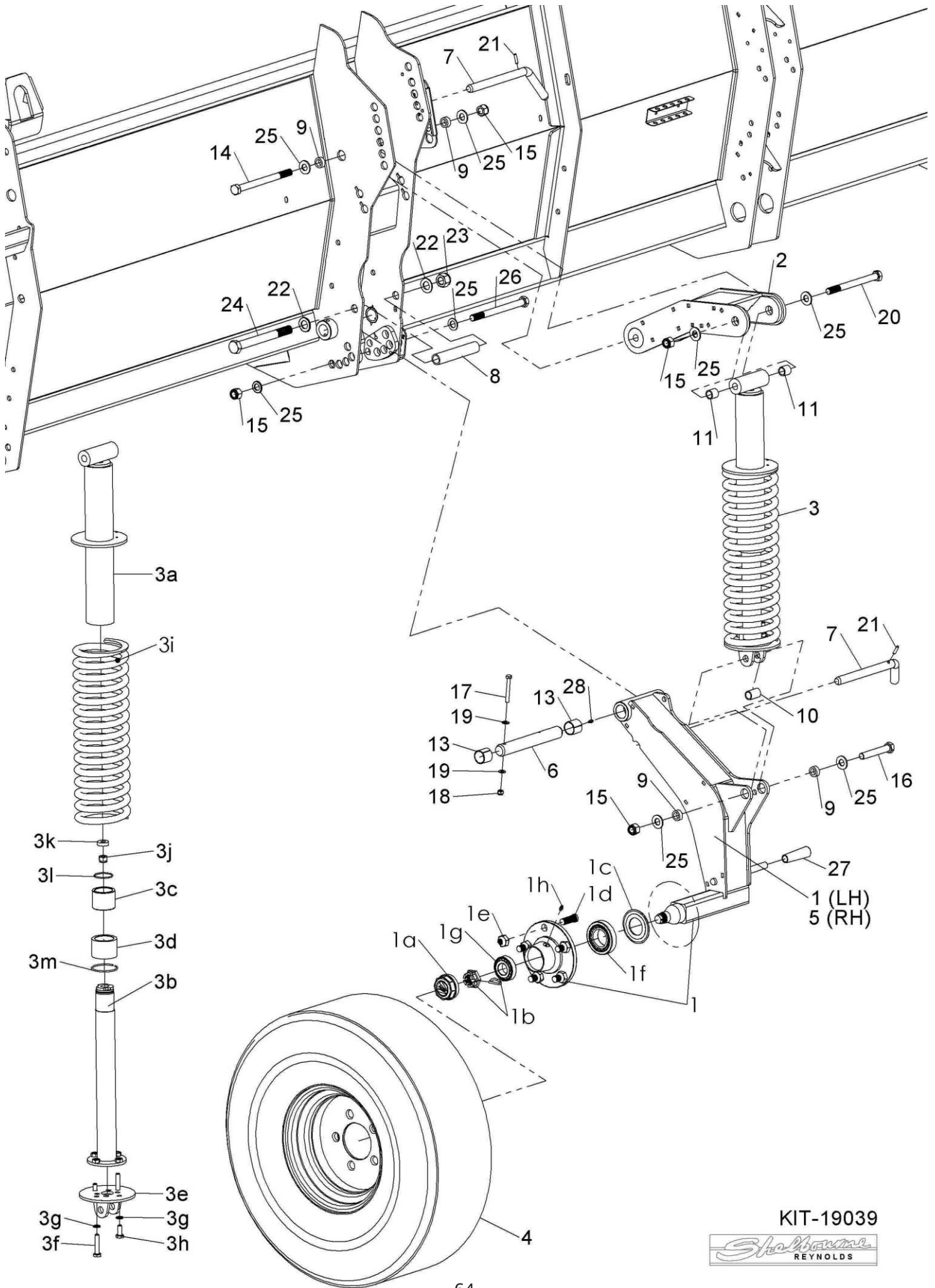
Shelbourne Reynolds Engineering Limited

ASSY NUMBER: KIT-19006				ASSY DESCRIPTION: SKID KIT			
ITEM	PART NO	DESCRIPTION	QTY	ITEM	PART NO	DESCRIPTION	QTY
1	194395 01	SKID ASSY (2013 & ON)	4				
OR	194395 01	SKID ASSY (UPTO 2013)	2				
2	198703 01	SKID W/A (UPTO 2013)	2				
3	193828 01	SKID ADJUSTER LH	4				
4	193828 02	SKID ADJUSTER RH	4				
5	190119 07	WASHER (UPTO 2015)	8				
6	WSHA30161	LOCK WASHER (2019 & ON)	24				
OR	WSH-0070	SPRING WASHER (UP TO 2019)	24				
7	HSS-0317	SETSCREW	24				
8	WSH-0024	PLAIN WASHER (2015-2018)	24				
OR	WSH-0024	PLAIN WASHER (UPTO 2015)	16				
9	KIT-19114	STAINLESS SKID COVER KIT	A/R				
		SEE KIT-19114 PAGE FOR PARTS BREAKDOWN					



Shelbourne Reynolds Engineering Limited

ASSY NUMBER: KIT-19039				ASSY DESCRIPTION: GAUGE WHEEL KIT (2018 & ON)			
ITEM	PART NO	DESCRIPTION	QTY	ITEM	PART NO	DESCRIPTION	QTY
1	290260 01	AXLE & ARM W/A	1	10	199457 01	SPACER TUBE	2
1a	AXL-10035	HUB CAP	(1)	11	193735 03	SPACER	4
1b	AXL-12591	CROWN NUT & SPRING CLIP	(1)	12			
1c	AXL-12010	OIL SEAL	(1)	13	BSH-3030	BUSH PLAIN	4
1d	AXL-15501	STUD	(5)	14	BLT-2350	BOLT	2
1e	AXL-12525	WHEEL NUT	(5)	15	NUT-0271	NYLOC NUT	8
1f	BRG-14540	INNER BEARING	(1)	16	BLT-2320	BOLT	2
1g	BRG-13040	OUTER BEARING	(1)	17	BLTA08410	BOLT	2
1h	NIP-00800	GREASE NIPPLE	(1)	18	NUT-0263	NYLOC NUT	2
2	199861 01	TOP ARM W/A	2	19	WSH-0012	PLAIN WASHER	4
3	KIT-19036	SPRING SLIDER SUB ASSY	2	20	BLTA16770	BOLT	2
OR	KIT-19036P	SLIDER SUB ASSY FOR SPARES, NOT INCLUDING ITEM 3i & 3e		21	PIN-1921	ROLL PIN	4
3a	290091 01	UPPER SPRING TUBE W/A	1	22	WSH-0030	PLAIN WASHER	4
3b	199909 01	LOWER SPRING TUBE W/A	1	23	NUTA02200	NYLOC NUT	2
3c	290093 01	EXTERNAL NYLUBE BUSH	1	24	BLTA20830	BOLT	2
3d	290094 01	INTERNAL NYLUBE BUSH	1	25	WSH-0024	PLAIN WASHER	16
3e	199930 01	SPRING MOUNTING BRACKET W/A	1	26	BLTA16810	BOLT	2
3f	HSS-0210	BOLT	2	27	HAN-2000	BLACK PLASTIC HANDLE	2
3g	WSH-0061	WASHER	4	28	NIP-00600	GREASE NIPPLE	2
3h	HSS-0191	BOLT	2				
3i	SPGC00099	COMPRESSION SPRING	1				
3j	NUT-0269	NYLOC NUT	1				
3k	198800 47	WASHER	1				
3l	CIR350045	45 DIA EXTERNAL SNAP RING	1				
3m	CIR340065	65 DIA INTERNAL SNAP RING	1				
4	WHL-01210	WHEEL & TYRE ASSY	2				
5	290260 02	AXLE & ARM W/A	1				
5a	AXL-10035	HUB CAP	(1)				
5b	AXL-12591	CROWN NUT & SPRING CLIP	(1)				
5c	AXL-12010	OIL SEAL	(5)				
5d	AXL-15501	STUD	(5)				
5e	AXL-12525	WHEEL NUT	(1)				
5f	BRG-14540	INNER BEARING	(1)				
5g	BRG-13040	OUTER BEARING	(1)				
5h	NIP-00800	GREASE NIPPLE	(1)				
6	198875 01	PIVOT PIN	2				
7	199089 01	LOCKING PIN	4				
8	199303 01	ARM HEIGHT STOP	2				
9	190548 99	WASHER	8				

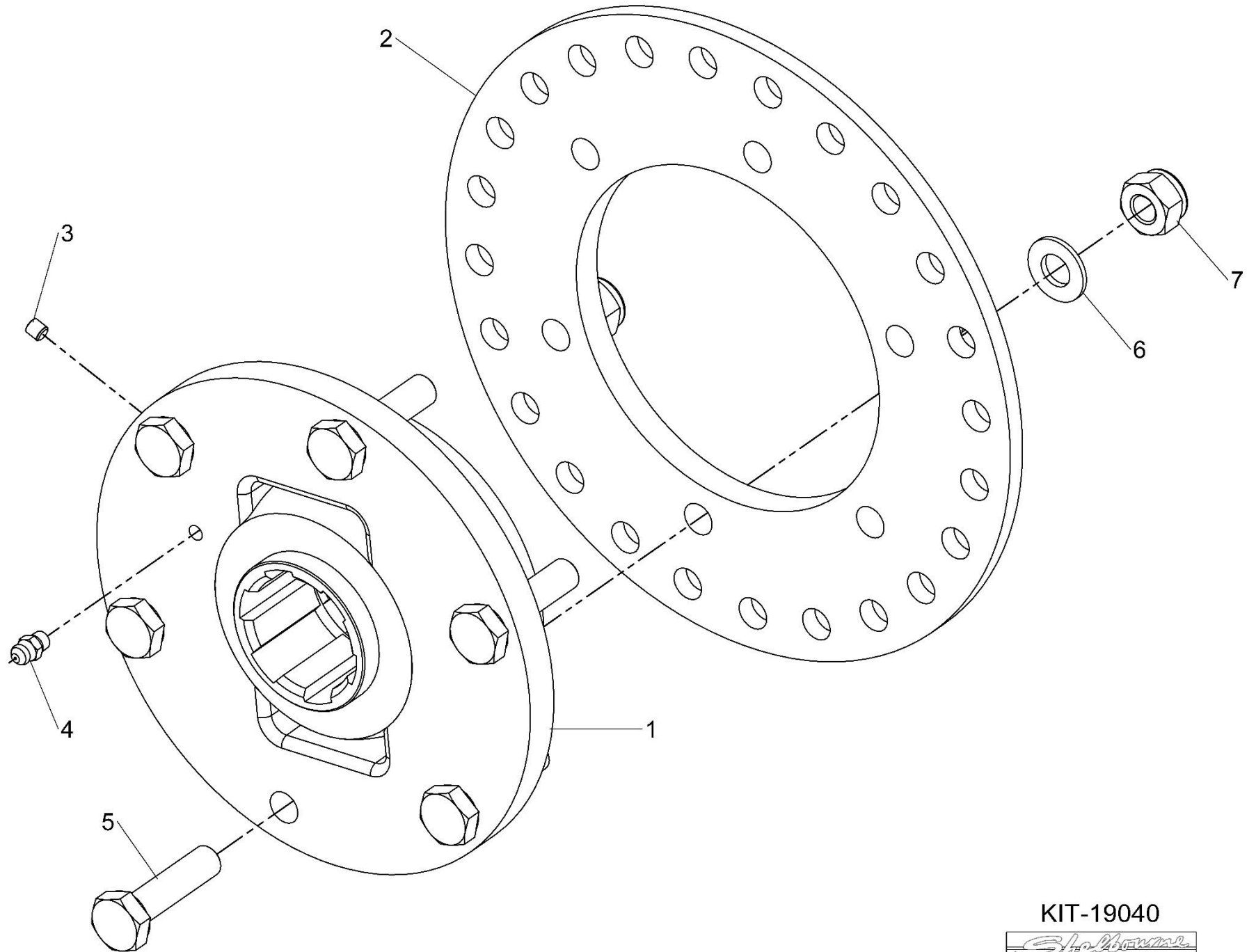


KIT-19039



Shelbourne Reynolds Engineering Limited

ASSY NUMBER: KIT-19040				ASSY DESCRIPTION: BALL JOINT COUPLING			
ITEM	PART NO	DESCRIPTION	QTY	ITEM	PART NO	DESCRIPTION	QTY
1	193115 07	BALL COUPLING ASSY	1				
2	290443 01	DRIVE RING PLATE	1				
3	SCW-4516	GRUB SCREW	1				
4	NIP-00600	GREASE NIPPLE (UPTO 2019)	1				
5	HSS-0202	BOLT	6				
6	WSH-0015	WASHER	6				
7	NUT-0265	NUT	6				

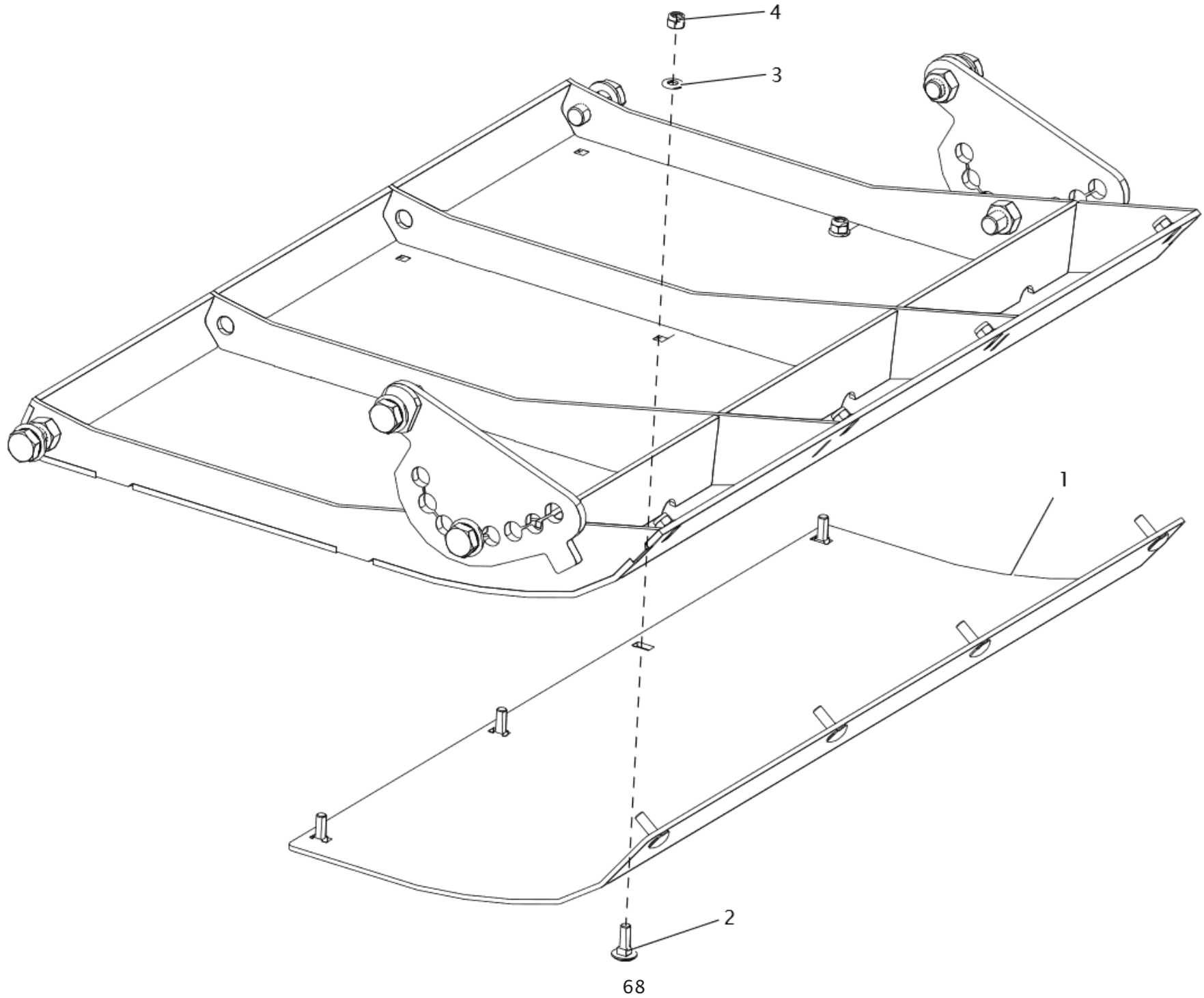


KIT-19040



Shelbourne Reynolds Engineering Limited

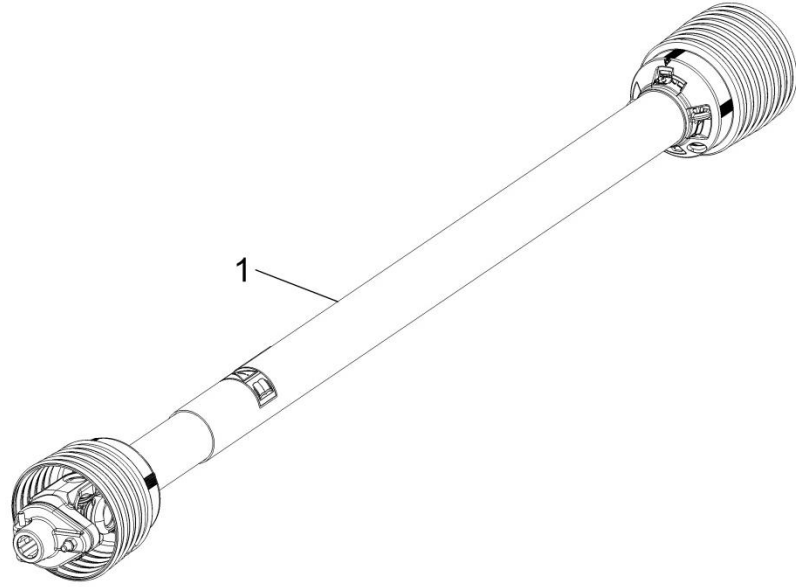
ASSY NUMBER: KIT-19114				ASSY DESCRIPTION: EXCEL STAINLESS SKID COVER KIT			
ITEM	PART NO	DESCRIPTION	QTY	ITEM	PART NO	DESCRIPTION	QTY
1	292040 02	STAINLESS SKID COVER	4				
2	BLTF08173	COACH BOLT	32				
3	WSH-0012	PLAIN WASHER	32				
4	NUT-0263	NYLOC NUT	32				



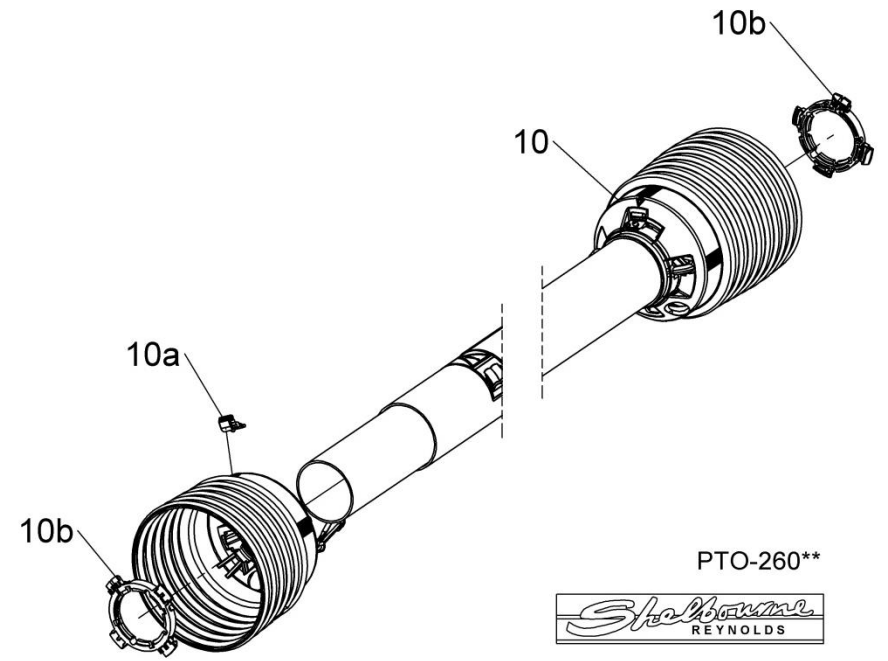
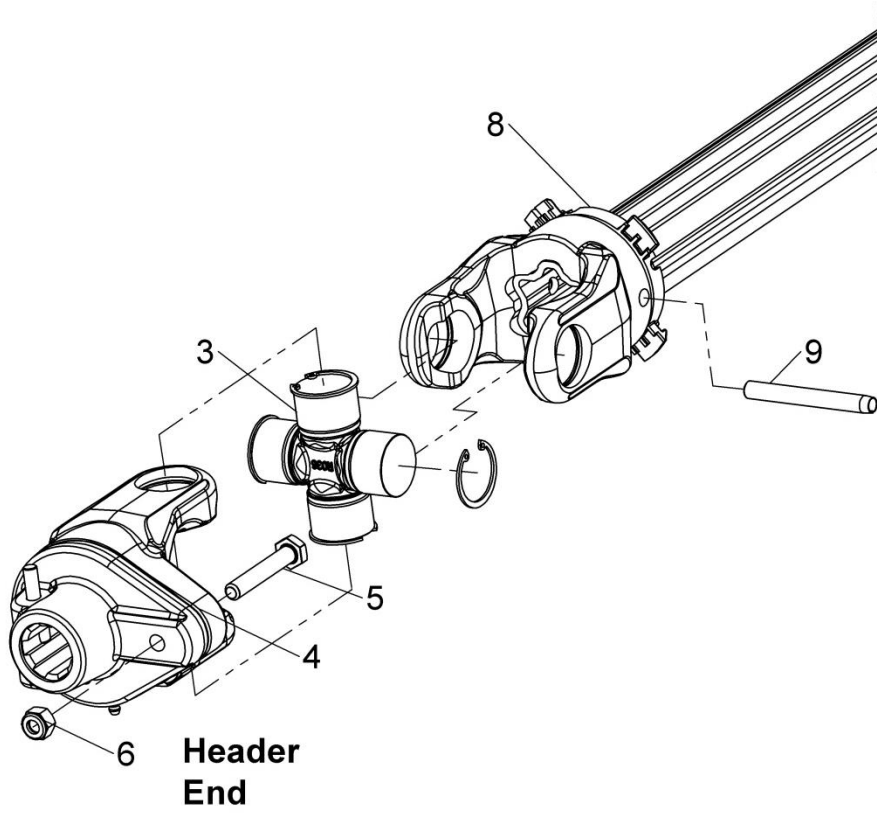
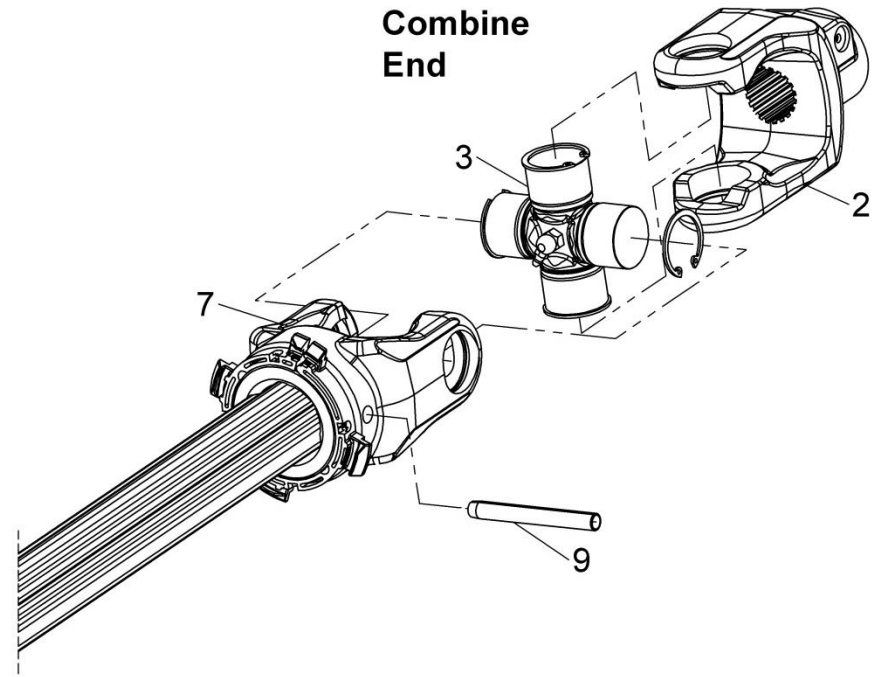
Shelbourne Reynolds Engineering Limited

ASSY NUMBER: PTO-260**				ASSY DESCRIPTION: STRIPPER PTO & PARTS			
ITEM	PART NO	DESCRIPTION	QTY	ITEM	PART NO	DESCRIPTION	QTY
1	PTO-26003WE	PTO SHAFT 1 $\frac{3}{8}$ " 21 SPLINE (WEAS)					
OR	PTO-26003	PTO SHAFT 1 $\frac{3}{8}$ " 21 SPLINE (WALT)					
OR	PTO-26004WE	PTO SHAFT 1 $\frac{3}{8}$ " 6 SPLINE (WEAS)					
OR	PTO-26004	PTO SHAFT 1 $\frac{3}{8}$ " 6 SPLINE (WALT)					
OR	PTO-26002WE	PTO SHAFT 1 $\frac{1}{8}$ " HEX SPL (WEAS)					
OR	PTO-26002	PTO SHAFT 1 $\frac{1}{8}$ " HEX SPL (WALT)					
2	PTO-00082WE	COMBINE END YOKE 1 $\frac{3}{8}$ " 21 SPLINE					
2a	PTO-00605	YOKE REPAIR KIT					
OR	PTO-00080WE	COMBINE END YOKE 1 $\frac{3}{8}$ " 6 SPLINE					
2a	PTO-00605	YOKE REPAIR KIT					
OR	PTO-00070WE	COMBINE END YOKE 1 $\frac{1}{8}$ " HEX SPL					
2a	PTO-00605	YOKE REPAIR KIT (NOT COLLAR)					
OR	PTO-00166	COMBINE END YOKE 8 SPL PUSHPIN					
OR	PTO-00166WA	COMBINE END YOKE 8 SPL COLLAR					
OR	PTO-00174	COMBINE END YOKE 1 $\frac{3}{4}$ " 20 SPLINE					
OR	PTO-00177	COMBINE END YOKE 1 $\frac{3}{4}$ " 6 SPLINE					
OR	PTO-00180	FORAGER END YOKE 1 $\frac{1}{2}$ " 23 SPLINE					
3	PTO-00083	CROSS JOINT BEARING KIT					
4	PTO-00119WE	SHEAR BOLT CLUTCH					
OR	PTO-00119	SHEAR BOLT CLUTCH					
5	BLTA10384	SHEAR BOLT					
6	NUT-0265	NYLOC NUT					
7	PTO-00089	INBOARD YOKE (COMBINE) (WALT)					
8	PTO-00090	INBOARD YOKE (HEADER) (WALT)					
9	PIN-1926	ROLL PIN (M10x90) (WALT)					
OR		ROLL PIN (M10x85) (WEAS)					
10	PTO-00093WE	GUARD ASSY C/W BEARINGS (WEAS)					
10a	PTO-00968	RED GUARD CLIPS (WEASLER)					
10b	PTO-00178	GUARD BRG & SCREW SET (WALT)					
OR	PTO-00601	GUARD BEARING SET (WEASLER)					
OR	PTO-00093	GUARD ASSY C/W BEARINGS (WALT)					

WEAS = WEASLER
WALT = WALTERSCHEID



Combine End



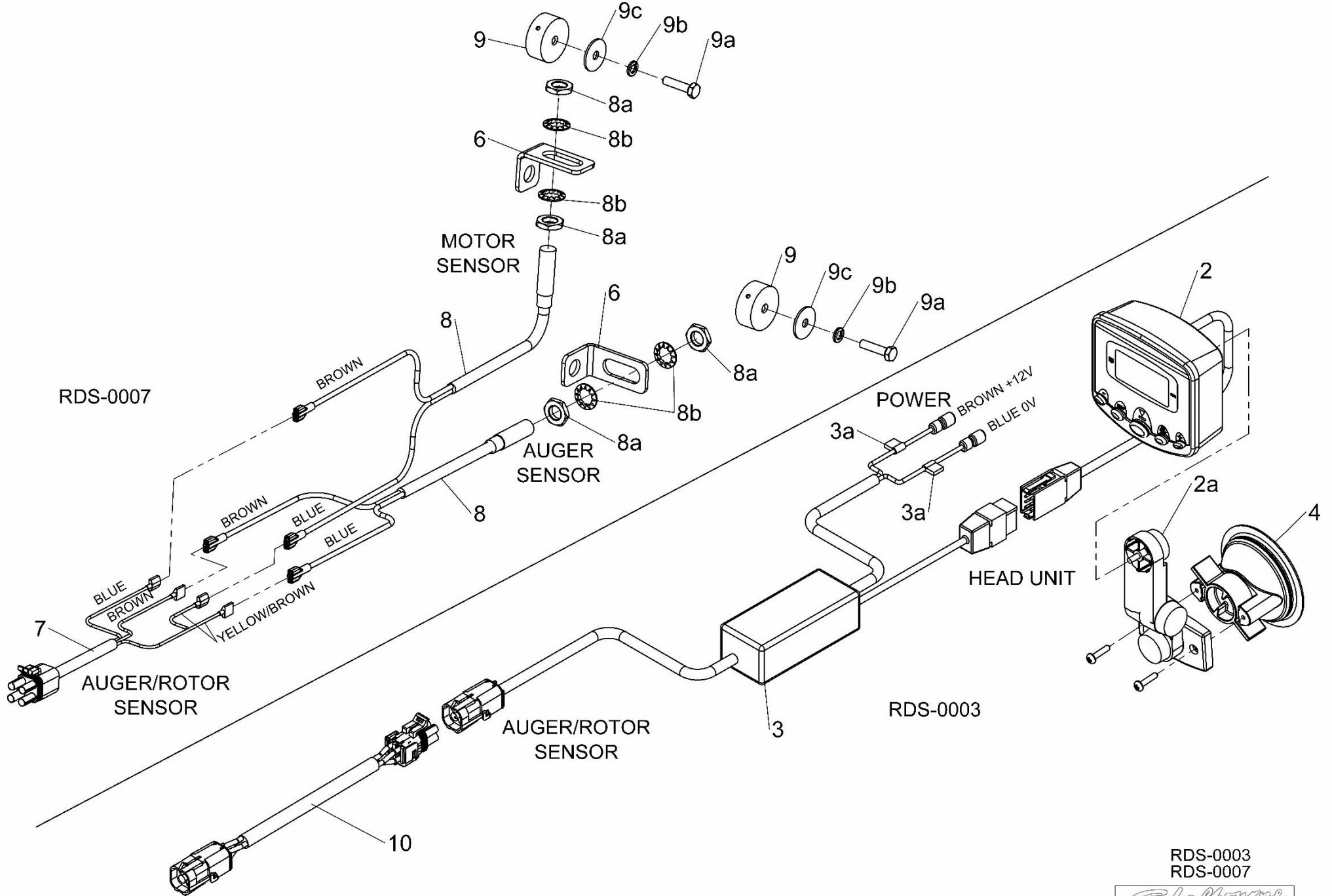
PTO-260**



Shelbourne Reynolds Engineering Limited

ASSY NUMBER: RDS-0003 & RDS-0007				ASSY DESCRIPTION: RDS EQUIPMENT STEPPED DRIVE			
ITEM	PART NO	DESCRIPTION	QTY	ITEM	PART NO	DESCRIPTION	QTY
1	RDS-0003	COMBINE TACHO HEAD KIT & LOOM STEP DRIVE, INC ITEMS 2 & 3	1				
2	RDS-0027	TACHO HEAD, INC ITEM 2a	1				
2a	RDS-0029	TACHO HEAD FIX.ARM KIT					
3	RDS-0030	COMBINE LEAD (RSD)	1				
3a	FUS-0022	FUSE (2 AMP BLADE)					
4	LCL-01249	RAM MOUNT SUCTION CUP	1				
5	RDS-0007	HEADER LOOM & SENSOR KIT (SD) INC ITEMS 6,7,8 & 9	1				
6	198323 01	SENSOR BRACKET (SLOTTED)	2				
7	RDS-0017	HEADER LEAD	1				
8	RDS-0018	SHAFT SENSOR, INC ITEMS 8a & 8b	2				
8a	RDS-0018A	PLAIN NUT					
8b	WSHA20121	SHAKEPROOF WASHER					
9	RDS-0020	MAGNET CARRIER	2				
9a	HSS-0088	SET SCREW					
9b	WSH-0056	SPRING WASHER					
9c	WSH-1036	PENNY WASHER					
10	291913 01	AUGER/ROTOR SENSOR LOOM EXTENSION (8m)	A/R				

Shelbourne Reynolds Engineering Limited



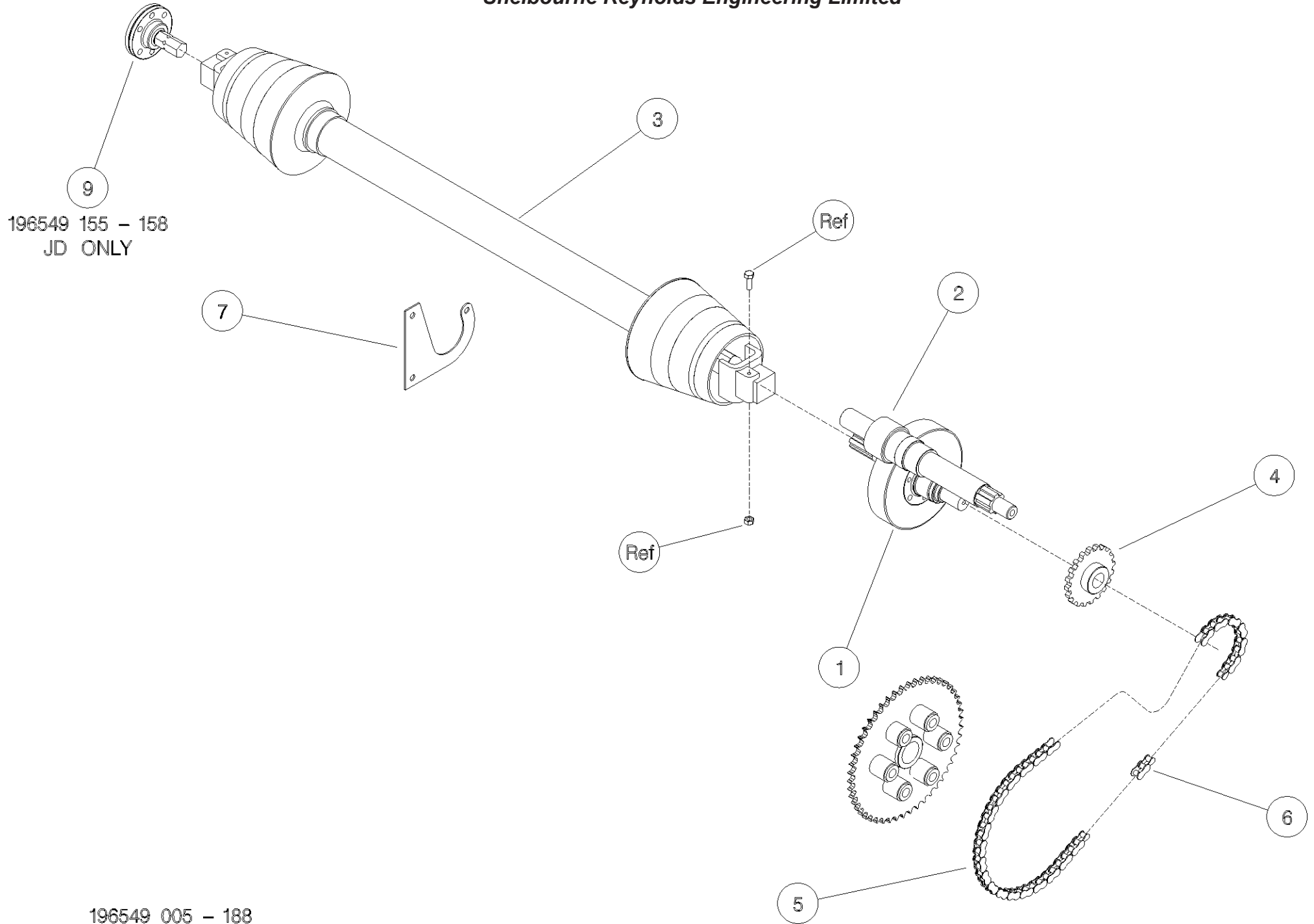
RDS-0003
RDS-0007



Drives

Shelbourne Reynolds Engineering Limited

ASSY NUMBER: 196549 128				ASSY DESCRIPTION: DRIVE KIT CNH CVS/RVS/RSD/Excel (22-42')			
ITEM	PART NO	DESCRIPTION	QTY	ITEM	PART NO	DESCRIPTION	QTY
	192592 07	INPUT GEAR (45t) WITH ROTOR GEARBOX	1				
1B/E	192592 13	INPUT GEAR (33t) (2015 & ON) WITHOUT ROTOR GEARBOX	1				
OR	192592 11	INPUT GEAR (35t) (UPTO 2015) WITHOUT ROTOR GEARBOX	1				
2A	193599 07	PINION (24t) WITH ROTOR GEARBOX	1				
2B	193599 11	PINION (34t) WITHOUT ROTOR GEARBOX	1				
2E	198999 13	PINION (36t) (2015 & ON) GEARBOX WITH 65mm SHAFT	1				
OR	198999 11	PINION (34t) (UPTO 2015) GEARBOX WITH 65mm SHAFT	1				
3	PTO-26004WE	PTO	1				
3a	PTO-00080WE	PTO YOKE-COMBINE (COLLAR)					
OR	PTO-00080	PTO YOKE-COMBINE (PUSH PIN)					
3b	PTO-00083	PTO CROSS BEARING					
3c	PTO-00119	PTO SHEAR BOLT CLUTCH-HEADER					
3d	PTO-00093WE	PTO GUARD ASSY (BLACK)					
OR	PTO-00093	PTO GUARD ASSY (YELLOW)					
3e	PTO-00968	EASY LOCK GUARD CLIPS (RED)					
3g	BLTA10384	SHEARBOLT					
3h	NUT-0265	NYLOC NUT					
4	192768 16	SPROCKET (15t) (2015 & ON)	1				
OR	192768 04	SPROCKET (16t) (UPTO 2015)	1				
5	CHN-01991	CHAIN (99 LINKS PLUS JOINER)	1				
5a	CHN-01901	JOINING LINK					
6	CHN-01910	HALF LINK	A/R				
7	KIT-00931	PTO SUPPORT KIT	1				

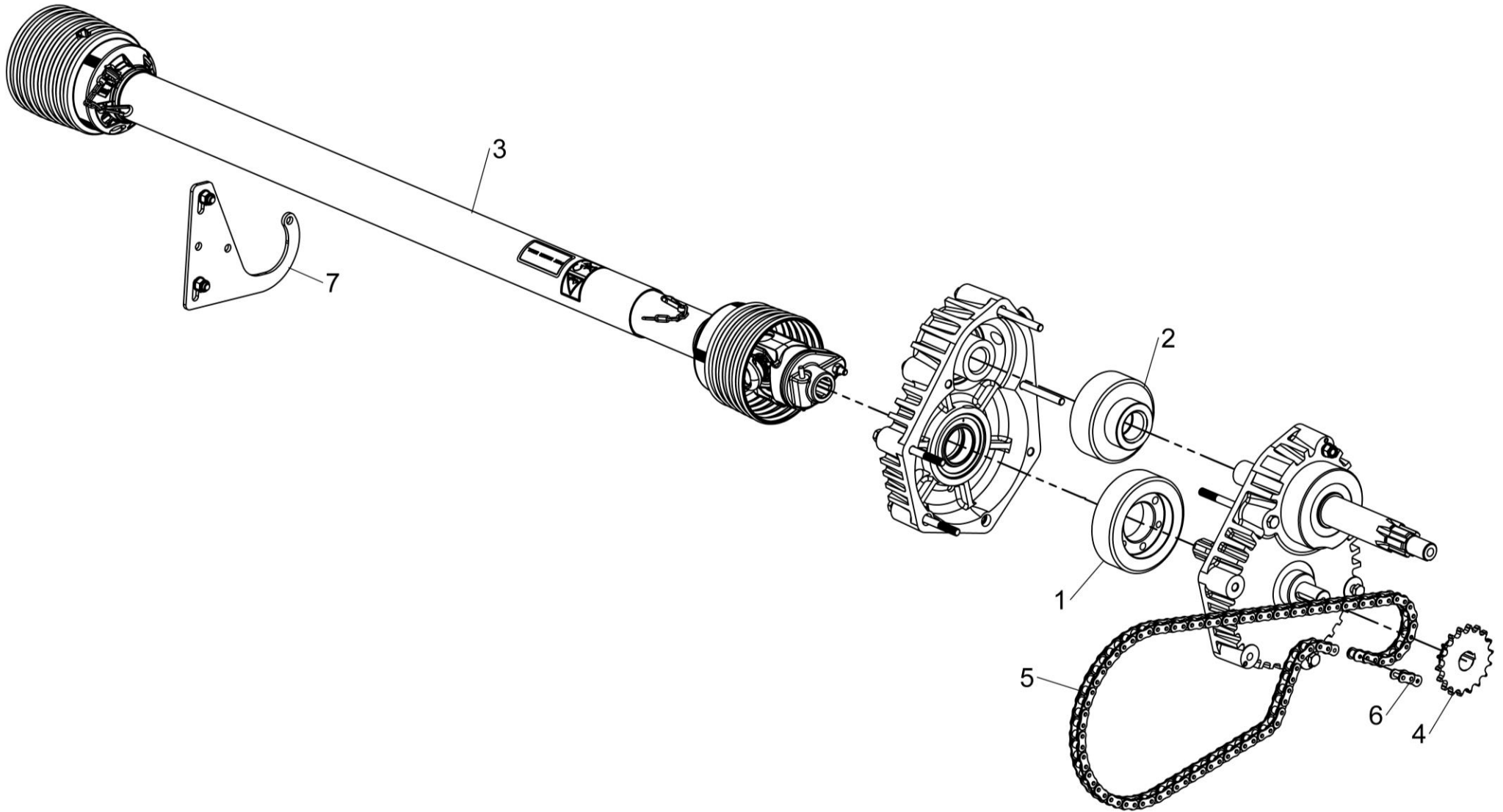


196549 155 - 158
JD ONLY

196549 005 - 188

Shelbourne Reynolds Engineering Limited

ASSY NUMBER: 196549 168				ASSY DESCRIPTION: DRIVE KIT AGCO CVS/RVS/RSD/Excel (22-42')			
ITEM	PART NO	DESCRIPTION	QTY	ITEM	PART NO	DESCRIPTION	QTY
1A	192592 07	INPUT GEAR (45t) WITH ROTOR GEARBOX	1				
1B/E	192592 13	INPUT GEAR (33t) (2015 & ON) WITHOUT ROTOR GEARBOX	1				
OR	192592 11	INPUT GEAR (35t) (UP TO 2015) WITHOUT ROTOR GEARBOX	1				
2A	193599 07	PINION (24t) WITH ROTOR GEARBOX	1				
2B	193599 11	PINION (34t) WITHOUT ROTOR GEARBOX	1				
2E	198999 13	PINION (36t) (2015 & ON) GEARBOX WITH 65mm SHAFT	1				
OR	198999 11	PINION (34t) (UP TO 2015) GEARBOX WITH 65mm SHAFT	1				
3	PTO-26001WE	PTO SHAFT	1				
3a	PTO-00082WE	PTO YOKE-COMBINE (COLLAR)					
OR	PTO-00082	PTO YOKE-COMBINE (PUSH PIN)					
3b	PTO-00083	PTO CROSS BEARING					
3c	PTO-00119	PTO SHEAR BOLT CLUTCH-HEADER					
3d	PTO-00093WE	PTO GUARD ASSY (BLACK)					
OR	PTO-00093	PTO GUARD ASSY (YELLOW)					
3e	PTO-00968	EASY LOCK GUARD CLIPS (RED)					
3g	BLTA10384	SHEARBOLT					
3h	NUT-0265	NYLOC NUT					
4	192768 16	SPROCKET	1				
5	CHN-01991	CHAIN (99 LINKS PLUS JOINER)	1				
5a	CHN-01901	JOINING LINK					
6	CHN-01910	HALF LINK	A/R				
7	KIT-00931	PTO SUPPORT KIT	1				

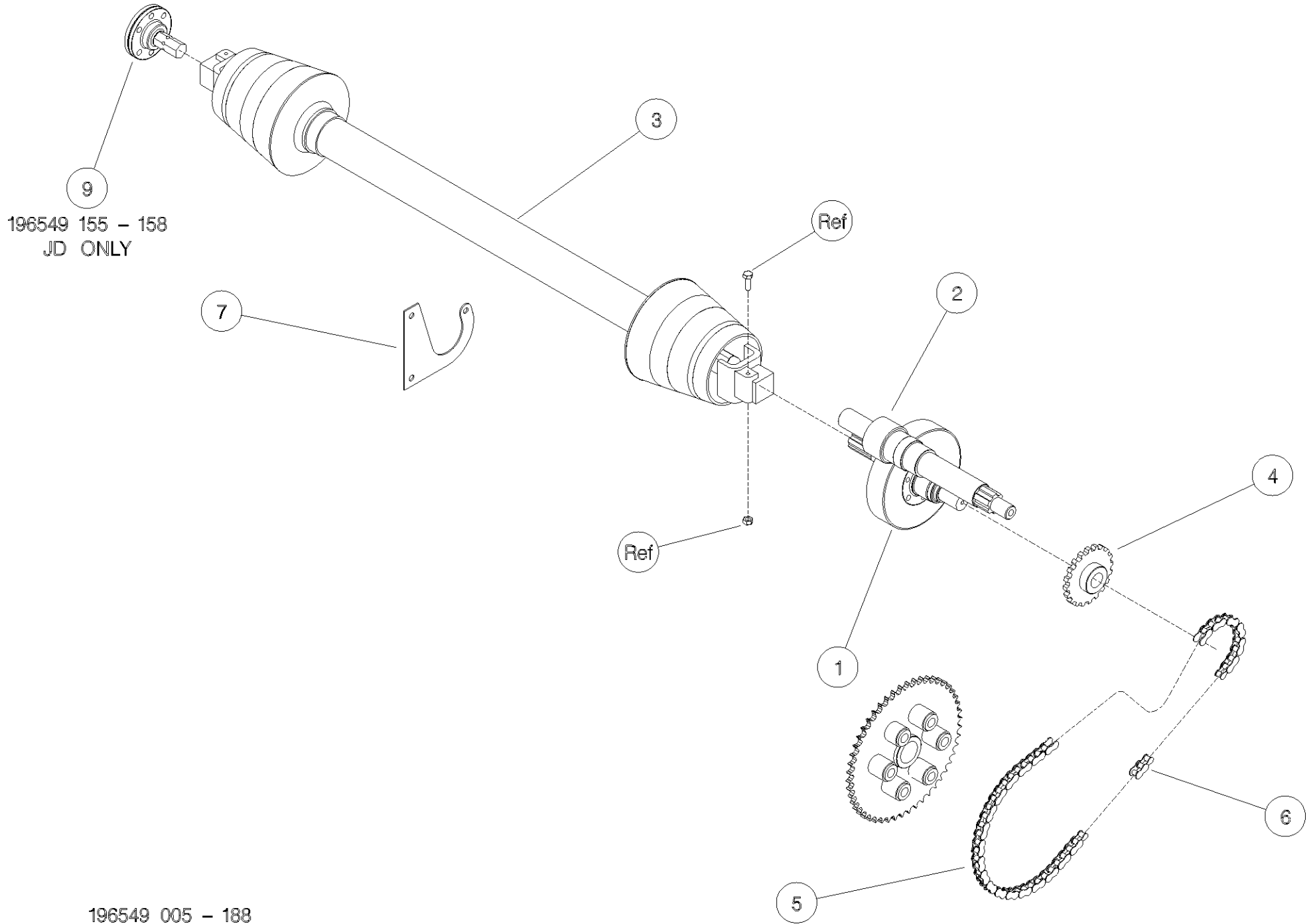


196549 168



Shelbourne Reynolds Engineering Limited

ASSY NUMBER: 196549 178				ASSY DESCRIPTION: DRIVE KIT JD CVS/RVS/RSD/Excel (22'-42')			
ITEM	PART NO	DESCRIPTION	QTY	ITEM	PART NO	DESCRIPTION	QTY
1A	192592 06	INPUT GEAR (47t) WITH ROTOR GEARBOX	1				
1B/E	192592 09	INPUT GEAR (37t) WITHOUT ROTOR GEARBOX	1				
2A	193599 06	PINION (22t) WITH ROTOR GEARBOX	1				
2B	193599 09	PINION (32t) WITHOUT ROTOR GEARBOX	1				
2E	198999 09	PINION (32t) GEARBOX WITH 65mm SHAFT	1				
3	PTO-26001WE	PTO	1				
3a	PTO-00082WE	PTO YOKE-COMBINE (COLLAR)					
OR	PTO-00082	PTO YOKE-COMBINE (PUSH PIN)					
3b	PTO-00083	PTO CROSS BEARING					
3c	PTO-00119	PTO SHEAR BOLT CLUTCH-HEADER					
3d	PTO-00093WE	PTO GUARD ASSY (BLACK)					
OR	PTO-00093	PTO GUARD ASSY (YELLOW)					
3e	PTO-00968	EASY LOCK GUARD CLIPS (RED)					
3g	BLTA10384	SHEARBOLT					
3h	NUT-0265	NYLOC NUT					
4	192768 18	SPROCKET	1				
5	CHN-01991	CHAIN (99 LINKS PLUS JOINER)	1				
5a	CHN-01901	JOINING LINK					
6	CHN-01910	HALF LINK	A/R				
7	KIT-00931	PTO SUPPORT KIT	1				

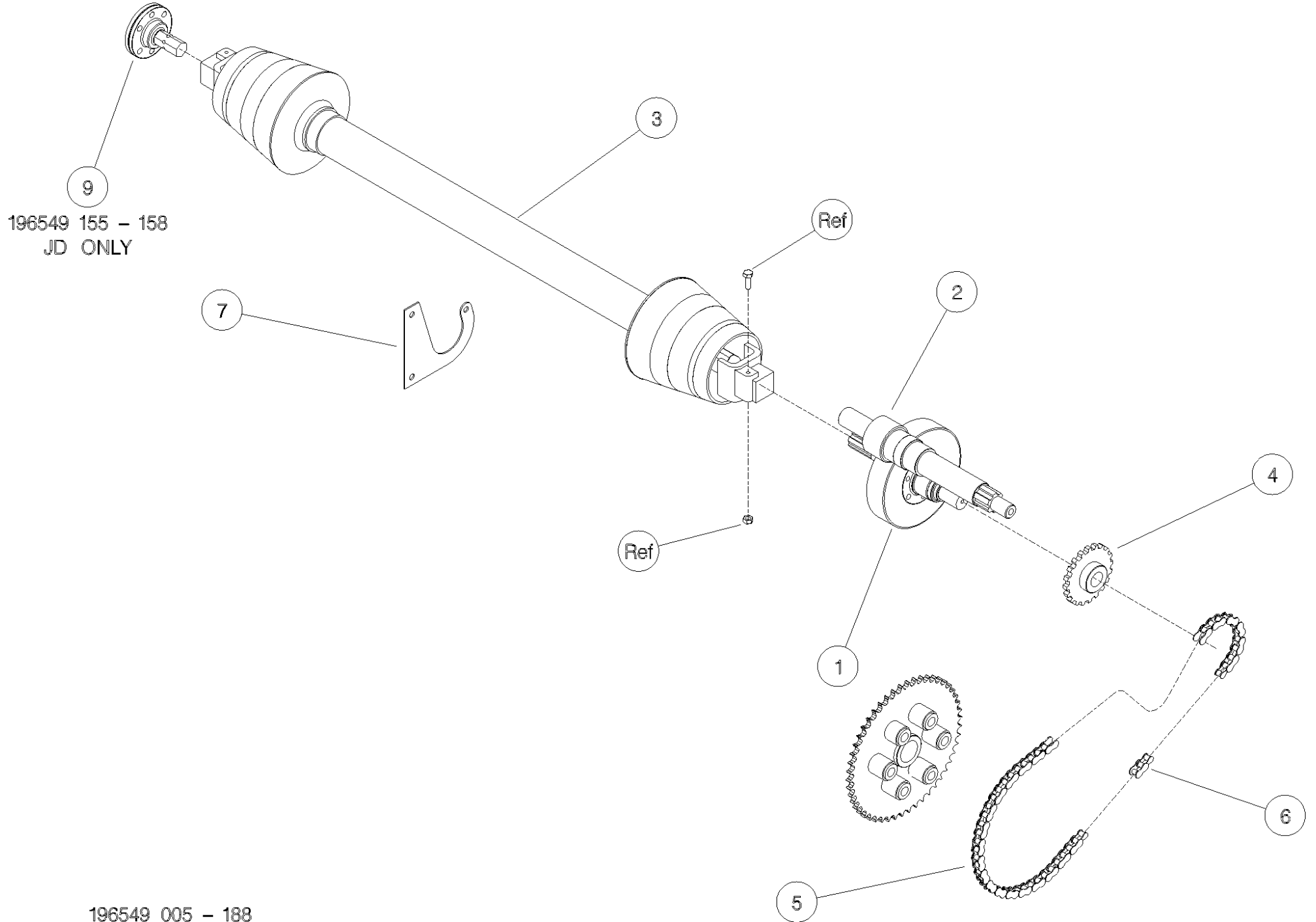


196549 155 - 158
JD ONLY

196549 005 - 188

Shelbourne Reynolds Engineering Limited

ASSY NUMBER: 196549 188				ASSY DESCRIPTION: DRIVE KIT CLAAS LEX C/RVS/RSD/Excel (22-42)			
ITEM	PART NO	DESCRIPTION	QTY	ITEM	PART NO	DESCRIPTION	QTY
1A	192592 01	INPUT GEAR (42t) WITH ROTOR GEARBOX	1				
1B	192592 09	INPUT GEAR (37t) WITHOUT ROTOR GEARBOX	1				
1D/E	192592 13	INPUT GEAR (33t) WITHOUT ROTOR GEARBOX	1				
2A	193599 01	PINION (27t) WITH ROTOR GEARBOX	1				
2B	193599 09	PINION (32t) WITHOUT ROTOR GEARBOX	1				
2D	193599 13	PINION (36t) WITHOUT ROTOR GEARBOX	1				
2E	198999 13	PINION (36t) GEARBOX WITH 65mm SHAFT	1				
3	PTO-26003WE	PTO (COLLAR YOKE)	1				
OR	PTO-26001WE	PTO (PUSH PIN)					
3a	PTO-00082WE	PTO YOKE-COMBINE (COLLAR)					
OR	PTO-00082	PTO YOKE-COMBINE (PUSH PIN)					
3b	PTO-00083	PTO CROSS BEARING					
3c	PTO-00119	PTO SHEAR BOLT CLUTCH-HEADER					
3d	PTO-00093WE	PTO GUARD ASSY (BLACK)					
OR	PTO-00093	PTO GUARD ASSY (YELLOW)					
3e	PTO-00968	EASY LOCK GUARD CLIPS (RED)					
3g	BLTA10384	SHEARBOLT					
3h	NUT-0265	NYLOC NUT					
4	192768 08	SPROCKET	1				
5	CHN-01991	CHAIN (99 LINKS PLUS JOINER)	1				
5a	CHN-01901	JOINING LINK					
6	CHN-01910	HALF LINK	A/R				
7	KIT-00931	PTO SUPPORT KIT	1				

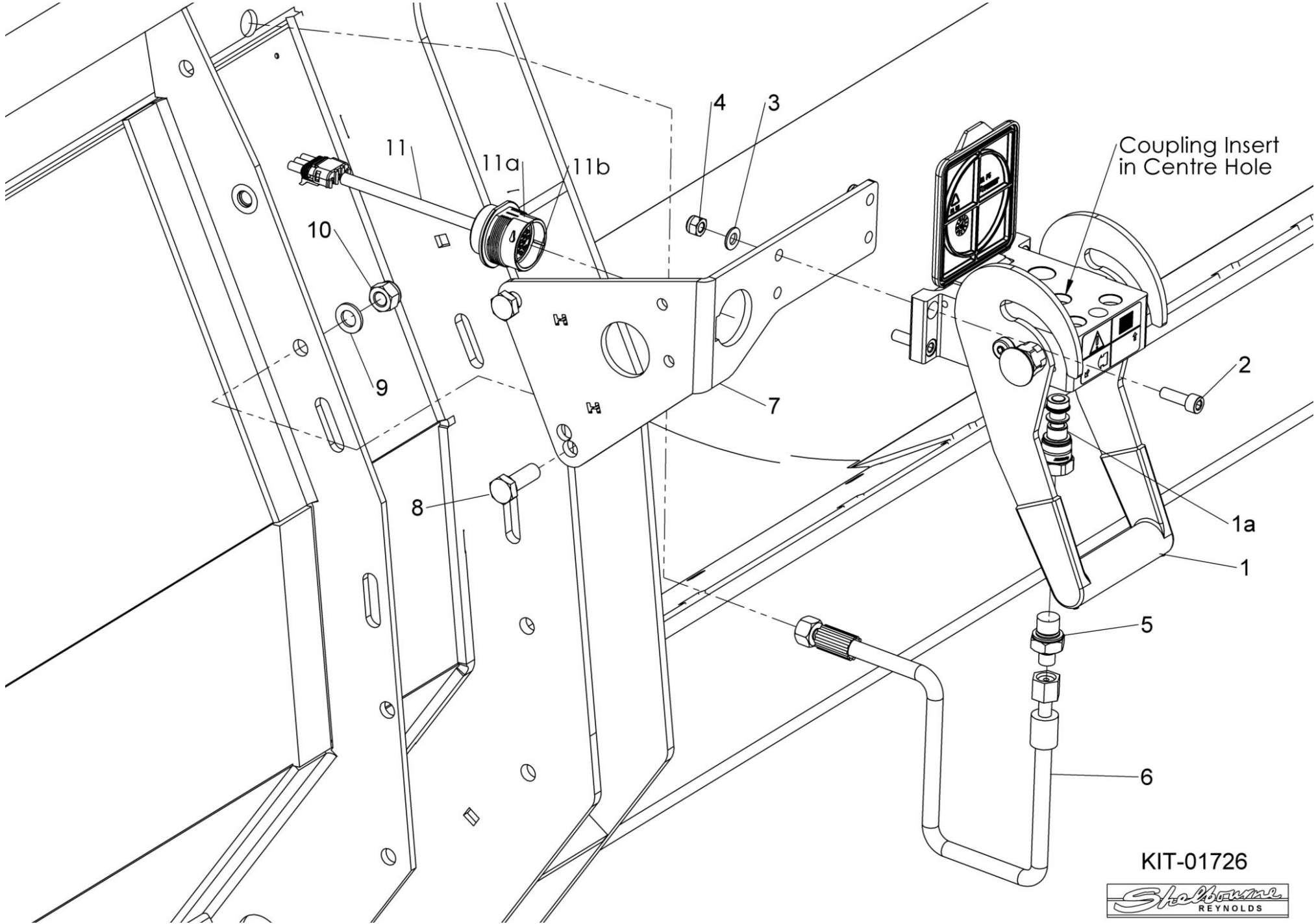


196549 005 - 188

Hydraulics

Shelbourne Reynolds Engineering Limited

ASSY NUMBER: KIT-01726				ASSY DESCRIPTION: CNH HYDRAULIC MULTICOUPLER KIT			
ITEM	PART NO	DESCRIPTION	QTY	ITEM	PART NO	DESCRIPTION	QTY
1	HQR-95010	FASTER MULTI COUPLER	1				
1a	HQR-15025	FEM COUPLING INSERT					
1b	HQR-95040	SPARE RED BUTTON KIT					
2	SCW-0136	HT CAP HEAD SCREW	4				
3	WSH-0012	PLAIN WASHER	4			COUPLING INSERT (ITEM 1a)	
4	NUT-0263	NYLOC NUT	4			FITS INTO CENTRE HOLE	
5	HAPAK0425	HYD RESTRICTOR	1				
6	HHAC07910	HYDRAULIC HOSE ASSY	1				
7	199711 01	MULTICOUPLER MTG PLT	1				
8	HSS-0241	SETSCREW	2				
9	WSH-0018	PLAIN WASHER	2				
10	NUT-0269	NYLOC NUT	2				
11	197040 01	LIGHT PLUG (IF LIGHTS FITTED)					
11a	ECN-09060	SPARE LOCK WASHER					
11b	ECN-09050	SPARE PANEL NUT					

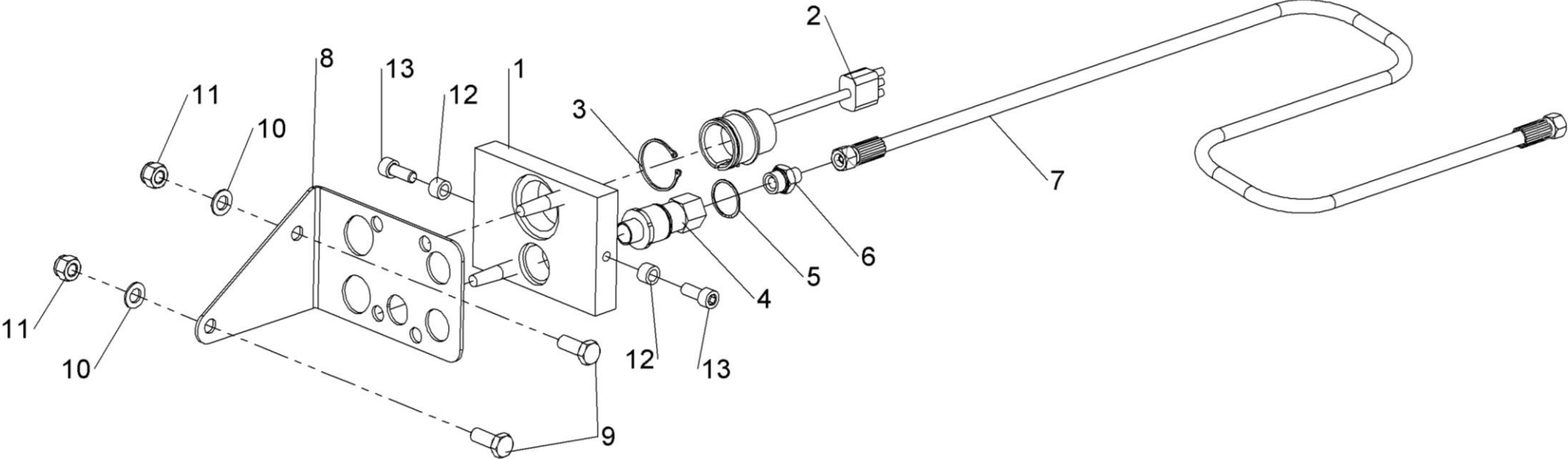


KIT-01726



Shelbourne Reynolds Engineering Limited

ASSY NUMBER: KIT-01731				ASSY DESCRIPTION: AGCO HYDRAULIC MULTICOUPLER KIT			
ITEM	PART NO	DESCRIPTION	QTY	ITEM	PART NO	DESCRIPTION	QTY
1	197812 01	HYD COUPLER PLT ASSY (1 PORT)	1				
2	198278 01	LOOM & PLUG ASSY AGCO	1				
3	CIR-0450	EXTERNAL CIRCLIP	1				
4	HQR-13026	COUPLING	1				
5	CLP-00230	SNAP RING	1				
6	HAAAK0327	HYDRAULIC FITTING	1				
7	HHAC10010	HYDRAULIC HOSE (MID 2024 & ON)	1				
OR	HHAC12010	HYDRAULIC HOSE (UPTO MID 2024)	1				
8	197766 01	PARKING BRACKET	1				
9	HSS-0238	BOLT	2				
10	WSH-0018	PLAIN WASHER	2				
11	NUT-0269	NYLOC NUT	2				
12	197248 01	LOCATING BOSS	2				
13	SCW-0190	SOCKET CAP HEAD SCREW	2				

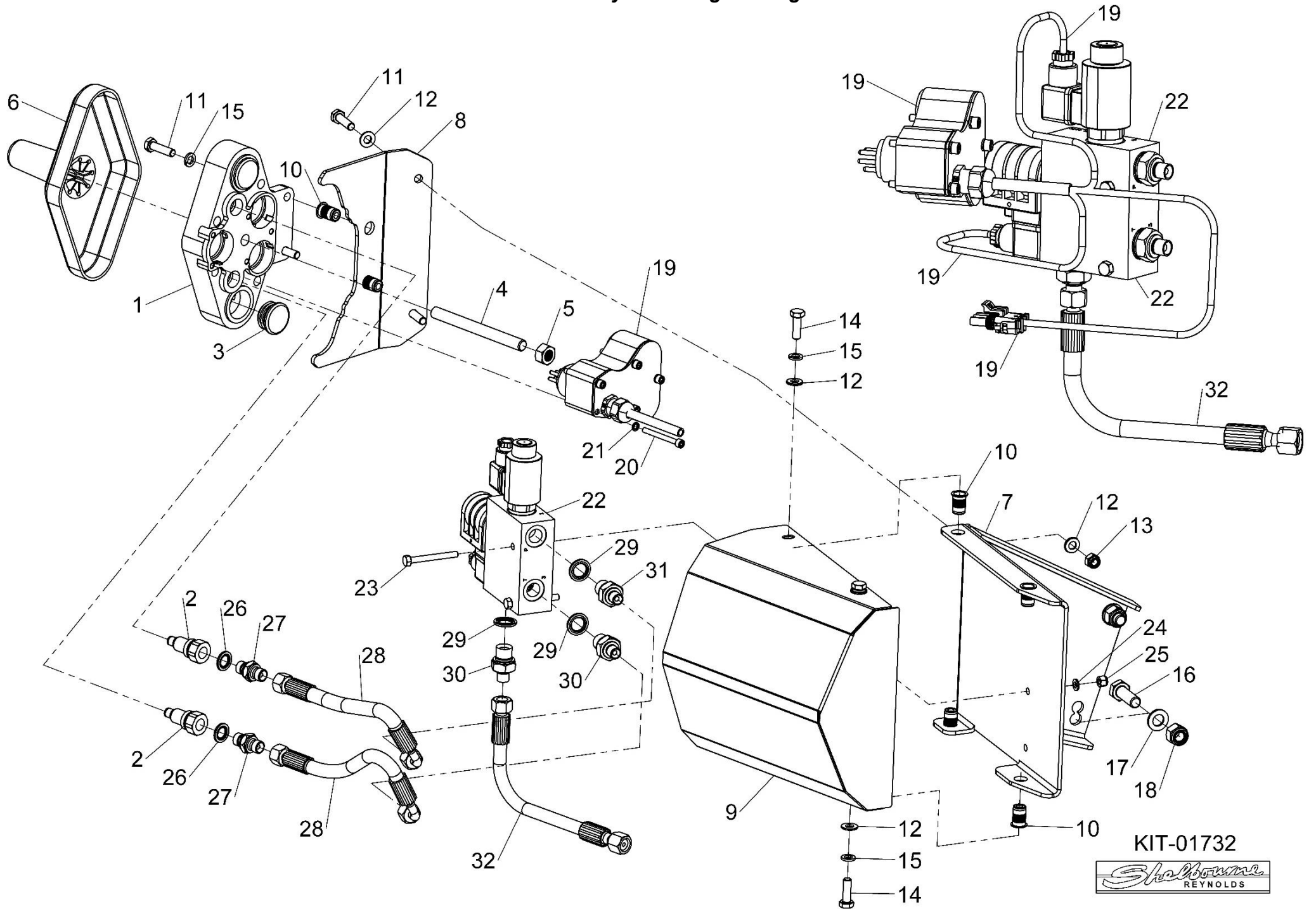


KIT-01731



Shelbourne Reynolds Engineering Limited

ASSY NUMBER: KIT-01732				ASSY DESCRIPTION: CLAAS LEXION HYD MULTICOUPLER KIT			
ITEM	PART NO	DESCRIPTION	QTY	ITEM	PART NO	DESCRIPTION	QTY
1	CHP-05041	MULTICOUPLER HOUSING	1				
2	CHP-05042	MALE HYD COUPLING	2				
3	PTF-00134	PLASTIC CAP INSERT	2				
4	290835 01	THREADED ROD	1				
5	NUT-0170	PLAIN NUT	1				
6	CHP-05045	COUPLING COVER	1				
7	290883 01	VALVE PLATE	1				
8	290884 01	COUPLER PLATE	1				
9	290885 01	COVER	1				
10	NUTA13087	NUTSERT	6				
11	HSS-0150	SET SCREW	4				
12	WSH-0012	WASHER	8				
13	NUT-0263	NYLOC NUT	2				
14	HSS-0145	SET SCREW	4				
15	WSH-0058	SPRING WASHER	6				
16	HSS-0241	SETSCREW	2				
17	WSH-0018	PLAIN WASHER	2				
18	NUT-0269	NYLOC NUT	2				
19	195076 01	WIRE LOOM ASSY	1				
20	SCCA05323	CAP SOCKET HEAD SCREW	5				
21	WSH-0054	SPRING WASHER	5				
22	HVB-12506	DUAL SOLENOID CONTROL VALVE	1				
23	BLTA06350	HEX.HEAD BOLT	2				
24	WSH-0009	PLAIN WASHER	2				
25	NUT-0260	NYLOC NUT	2				
26	WSH-1005	DOWTY WASHER	2				
27	HMA-0052	FITTING	2				
28	HHBC02505	HYDRAULIC HOSE ASSY	2				
29	WSH-1010	DOWTY WASHER	3				
30	FIT-0025	FITTING	2				
31	HAPAA0405	RESTRICTOR.	1				
32	HHAC07910	HYDRAULIC HOSE ASSY	1				

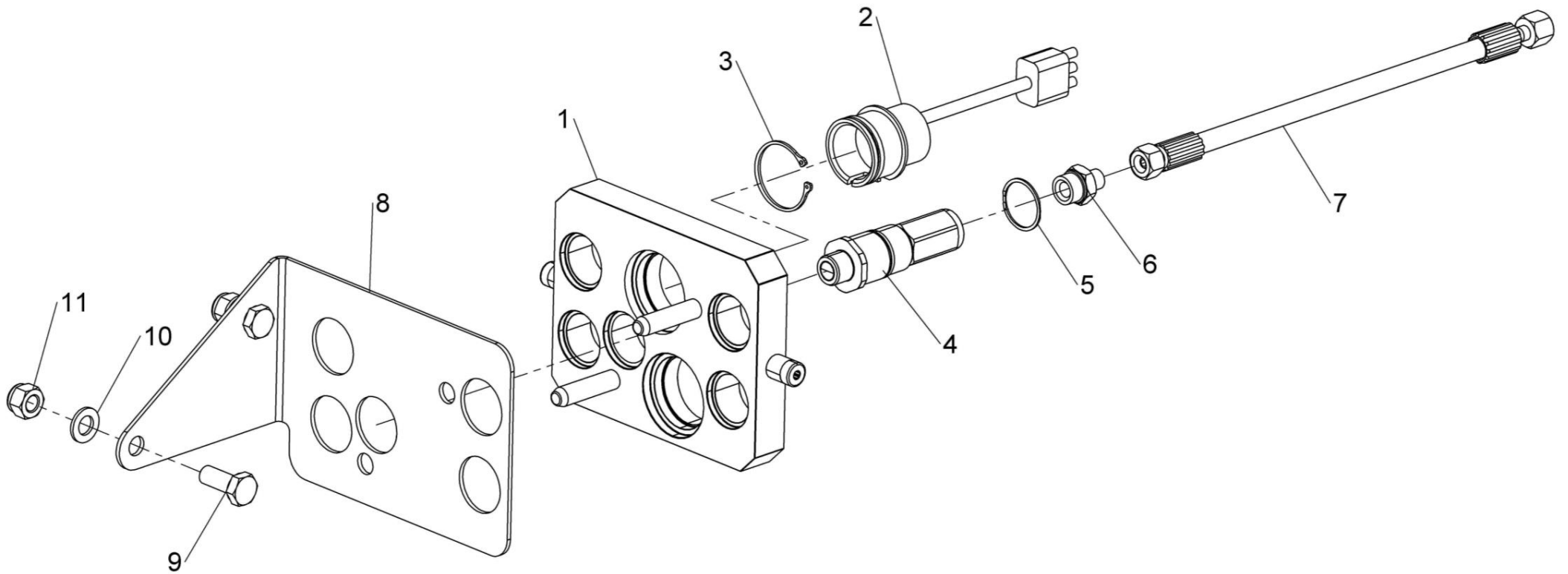


Shelbourne Reynolds Engineering Limited

ASSY NUMBER: KIT-01733			ASSY DESCRIPTION: JD S SERIES VARIABLE FEEDER HYD KIT				
ITEM	PART NO	DESCRIPTION	QTY	ITEM	PART NO	DESCRIPTION	QTY
1	HQR-93000	JD MULTICOUPLER ASSY (PARKER)	1				
1a	HQR-13027	COUPLER (UP TO 2022)				ITEM 2 ELECTRIC PLUG, CONNECT	
OR	HQR-93000X	JD MULTICOUPLER PLATE (FASTER)	1			WHITE (4) & YELLOW (28) = CORN HEAD	
2	291794 01	JD LOOM & PLUG (CORN HEAD)	1				
OR	197146 01	JD LOOM & PLUG (RIGID HEADER)	1			(REF. WHITE (4) & GREEN (16)= RIGID	
OR	-	LOOM & PLUG NOT REQUIRED ON JD X9				HEADER)	
3	CIR-0450	EXT CIRCLIP	1				
4	HMA-0114	HYD ADAPT (UPTO 2022)	1			REMOVE EXTRA COUPLER 1a (REEL	
5	HHAC07910	HYD HOSE	1			RAISE/LOWER) FROM ITEM 1	
6	197766 01	PARKING BRACKET	1				
7	HSS-0238	SET SCREW	4				
8	WSH-0018	PLAIN WASHER	8				
9	NUT-0269	NYLOC NUT	4			FOR JD X9 USE KIT-01733B, DOES NOT	
10	HQR-13026	COUPLER (PARKER)	2			INCLUDE ITEMS 2 & 3	
OR	HQR-13026A	COUPLER (FASTER) INC CIRCLIP	2				
11	CLP-00230	SNAP RING (PARKER)	2			FOR JD X9 ALSO SUPPLY KIT-01737,	
12	HAAAK0327	HYD ADAPT	2			HYDRAULIC LOOM KIT	
13	HHAC12005	HYD HOSE	1				
14	291792 01	VALVE MOUNTING PLATE	1				
15	HVB-27000	PO CHECK VALVE	4				
16	WSH-1005	DOWTY WASHER	2				
17	HMA-0052	HYD ADAPT	1				
18	FITC00303	BLANKING PLUG	2				
19	BLTA06320	BOLT	2				
20	WSH-0009	PLAIN WASHER	2				
21	NUT-0260	NYLOC NUT	1				
22	FITC00403	BLANKING CAP (UPTO 2022)	1				
23	HAPAA0302	HYD RESTRICTOR	1				

Shelbourne Reynolds Engineering Limited

ASSY NUMBER: KIT-01735				ASSY DESCRIPTION: AGCO IDEAL HYDRAULIC MULTICOUPLER KIT			
ITEM	PART NO	DESCRIPTION	QTY	ITEM	PART NO	DESCRIPTION	QTY
1	HQR-93100	IDEAL MULTICOUPLER HOUSING	1				
2	198278 01	LOOM & PLUG ASSY AGCO	1				
3	CIR-0450	EXTERNAL CIRCLIP	1				
4	HQR-13026A	COUPLING	1				
5	CLP-00230	SNAP RING	1				
6	HAAAK0327	HYDRAULIC FITTING	1				
7	HHAC10010	HYDRAULIC HOSE (MID 2024 & ON)	1				
OR	HHAC12010	HYDRAULIC HOSE (UPTO MID 2024)	1				
8	292127 01	PARKING BRACKET	1				
9	HSS-0238	BOLT	2				
10	WSH-0018	PLAIN WASHER	2				
11	NUT-0269	NYLOC NUT	2				

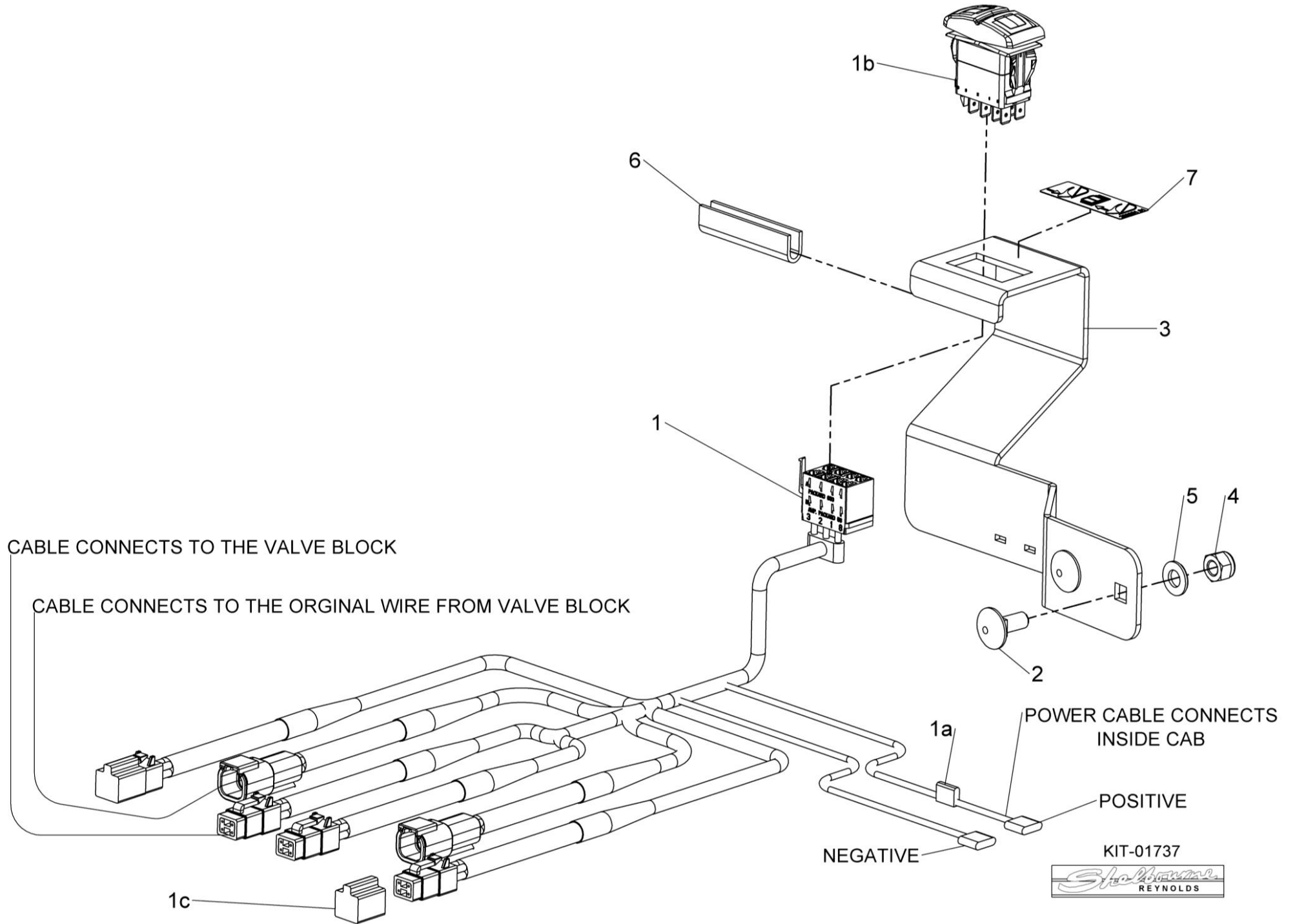


KIT-01735



Shelbourne Reynolds Engineering Limited

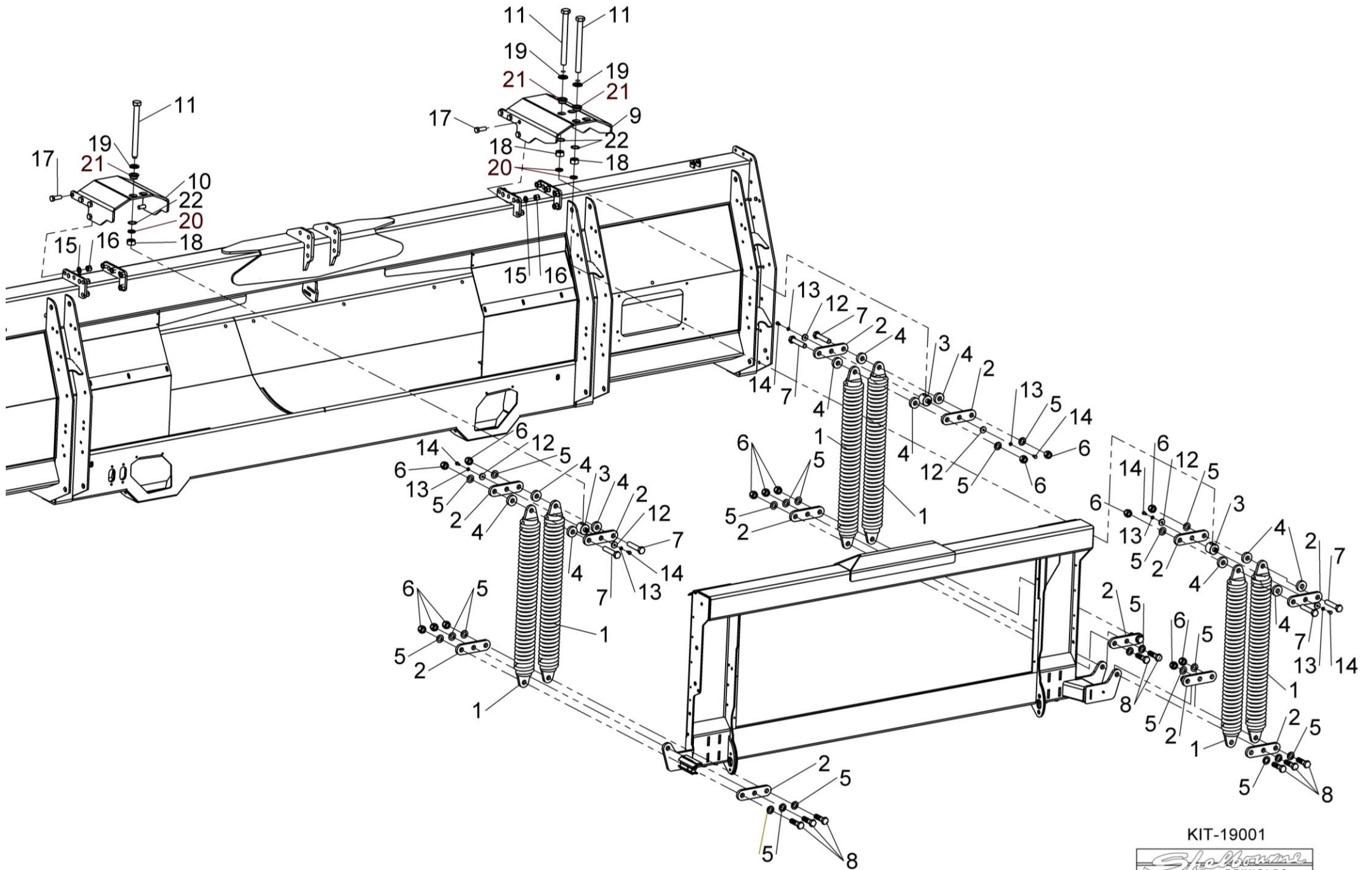
ASSY NUMBER: KIT-01737				ASSY DESCRIPTION: JD X9 HYD LOOM KIT			
ITEM	PART NO	DESCRIPTION	QTY	ITEM	PART NO	DESCRIPTION	QTY
1	292995 01	JD X9 HYD LOOM	1				
1a	FUS-0022	FUSE	1				
1b	SWT-00520	SWITCH	1				
1c	DIO-01005	LOOM CAP	2				
2	BLT-4710	COACH BOLT	2				
3	292986 01	SWITCH PLATE	1				
4	NUT-0263	NYLOC NUT	2				
5	WSH-0012	PLAIN WASHER	2				
6	EDS-11400	PVC EDGING STRIP	0.06m				
7	293081 01	CROP DEFLECTOR SWITCH STICKER	1				



Adaptor Plates

Shelbourne Reynolds Engineering Limited

ASSY NUMBER: KIT-19001				ASSY DESCRIPTION: SPRING TILT KIT			
ITEM	PART NO	DESCRIPTION	QTY	ITEM	PART NO	DESCRIPTION	QTY
1	198659 01	TILT SPRING	6				
2	198645 01	SPRING MOUNTING PLATE	12				
3	199670 01	SPRING ADJ BUSH (2014 & ON)	3				
OR	198646 01	SPRING ADJ BUSH (UPTO 2014)	3				
4	190548 98	SPACER	12				
5	WSH-0030	PLAIN WASHER	24				
6	NUTA02200	NYLOC NUT	15				
7	BLTA20560	BOLT	6				
8	BLT-2367	BOLT	9				
9	293543 01	TOP MOUNTING RH (2024 & ON)	1				
OR	199624 01	TOP MOUNTING RH (2014-2023)	1				
OR	198647 01	TOP MOUNTING RH (PRE 2014)	1				
10	293544 01	TOP MOUNTING LH (2024 & ON)	1				
OR	199623 01	TOP MOUNTING LH (2014-2023)	1				
OR	198648 01	TOP MOUNTING LH (UPTO 2014)	1				
11	HSSA24950	SET SCREW (2014 & ON)	3				
OR	HSSA20930	SET SCREW (UPTO 2014)	3				
12	190548 29	WASHER	6				
13	WSH-0058	SPRING WASHER	6				
14	HSS-0135	BOLT	6				
15	WSH-0024	PLAIN WASHER FORM A	16				
16	NUT-0271	NYLOC NUT	16				
17	HSS-0317	SET SCREW	16				
18	NUT-0190	PLAIN NUT (2014 & ON)	3				
OR	NUT-0185	PLAIN NUT (PRE 2014)	3				
19	WSH-0036	WASHER (2014 & ON)	3				
20	190548 62	WASHER (2014 & ON)	3				
21	199621 01	TOP HAT BUSH (2014 & ON)	3				
22	CIR020034	CIRCLIP (2014 & ON)	3				
23							
24	KIT-19035	TWIN SPRING SUB ASSY (ITEMS 1-8 & 12-14)					



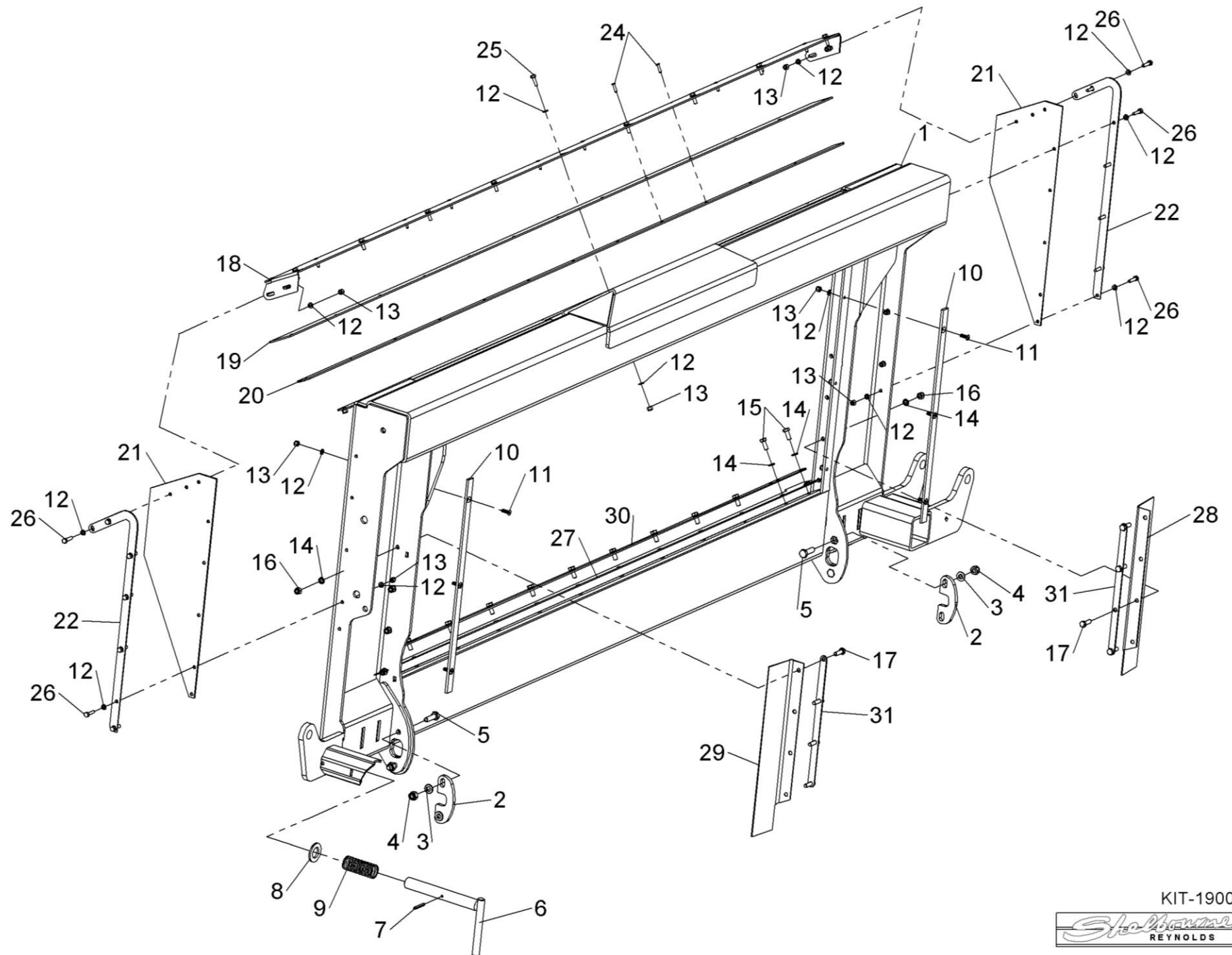
KIT-19001



Shelbourne Reynolds Engineering Limited

ASSY NUMBER: KIT-19002				ASSY DESCRIPTION: JD ADAPTOR PLATE			
ITEM	PART NO	DESCRIPTION	QTY	ITEM	PART NO	DESCRIPTION	QTY
1	198377 01	JD ADAPTOR W/A (2011 & ON)	1				
2	198521 01	PIN HOLE PLATE	2				
3	WSH-0015	PLAIN WASHER	4				
4	NUT-0265	NYLOC NUT	4				
5	HSS-0198	SETSCREW	4				
6	199467 01	LOCKING PIN (25mm) (2013 & ON)	1				
OR	198620 01	LOCKING PIN (19mm) (UPTO 2013)	1				
7	PIN-1775	ROLL PIN	1				
8	WSH-0036	PLAIN WASHER (25mm PIN)	1				
OR	WSH-0030	PLAIN WASHER (19mm PIN)	1				
9	SPGC32925	COMPRESSION SPRING (25mm PIN)	1				
OR	SPGC32355	COMPRESSION SPRING (19mm PIN)	1				
10	197208 01	PACKER PLATE	2				
11	SCW-1580	CSK SOCKET HD SCW	6				
12	WSH-0009	PLAIN WASHER	52				
13	NUT-0260	NYLOC NUT	29				
14	WSH-0058	SPRING WASHER	14				
15	HSS-0140	SETSCREW	12				
16	NUT-0263	NYLOC NUT	8				
17	HSS-0145	BOLT	8				
18	199476 01	FRONT SEAL PLATE (2013 & ON)	1				
OR	199195 01	FRONT SEAL PLATE (2012 ONLY)	1				
OR	198719 01	FRONT SEAL PLATE (UPTO 2012)	1				
19	199159 01	TOP SEAL STRIP (2012 & ON)	1				
OR	198711 01	TOP SEAL STRIP (UPTO 2012)	1				
20	198715 01	CLAMP STRIP	1				
21	198717 01	SIDE SEAL	2				
22	199479 01	SEAL CLAMP	2				
23	WSH-0012	PLAIN WASHER	6				
24	POP-0006	POP RIVET	13				
25	HSS-0086	SETSCREW	9				
26	HSS-0088	SETSCREW	14				
27	198921 01	BOTTOM SEAL PLT (2011 & ON)	1				
28	198922 01	LH SEAL PLT (2011 & ON)	1				
29	198922 02	RH SEAL PLT (2011 & ON)	1				
30	198988 01	BOTTOM CLAMP STRIP	1				
31	198987 01	SIDE CLAMP STRIP	2				

*THIS KIT ONLY FITS HOOK STYLE
FACEPATES AND NOT OLDER CLAMP
BLOCK STYLE, CONTACT YOUR JD
DEALER FOR UPDATE KIT*

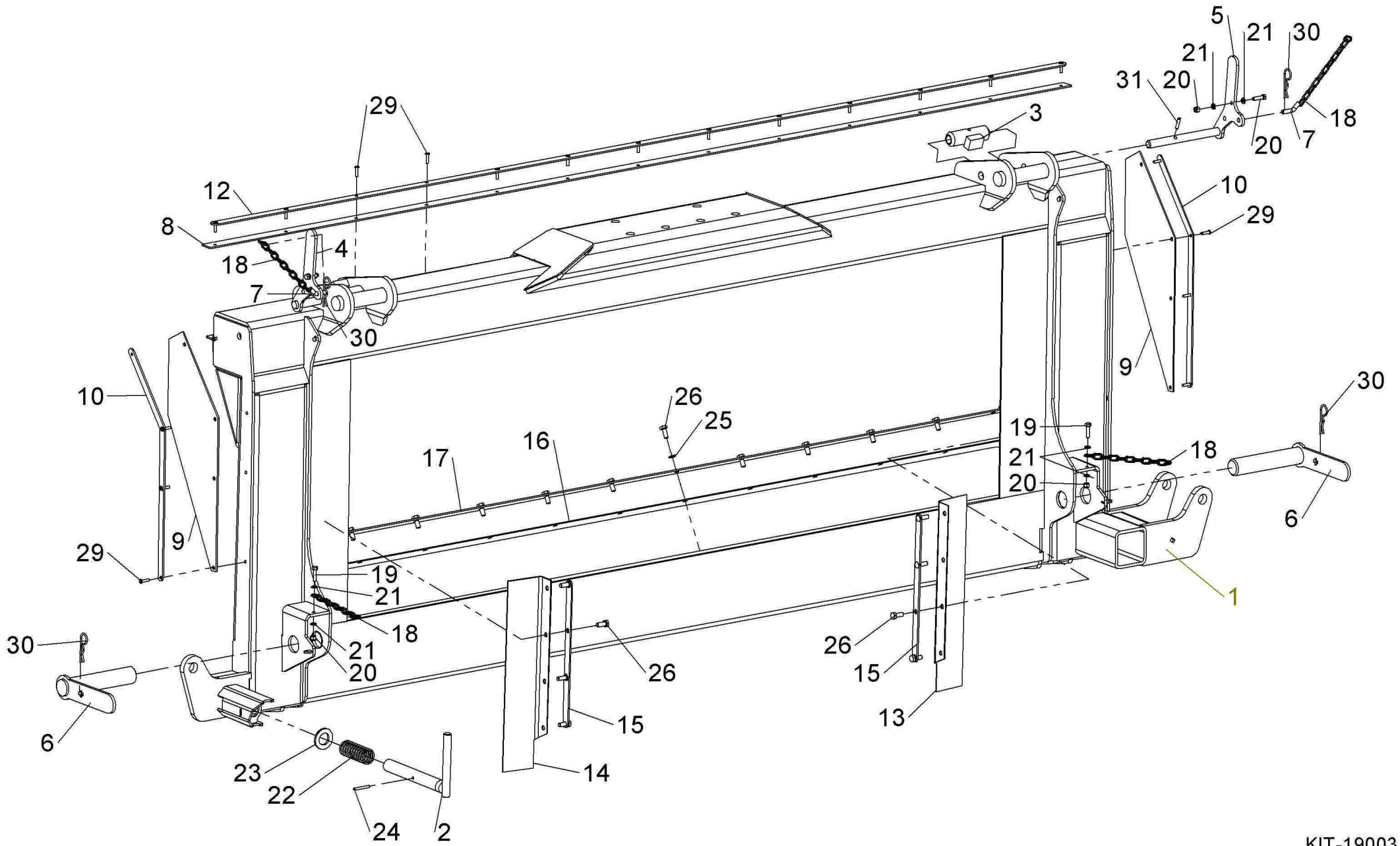


KIT-19002



Shelbourne Reynolds Engineering Limited

ASSY NUMBER: KIT-19003				ASSY DESCRIPTION: CLAAS LEXION ADAPTOR PLT KIT			
ITEM	PART NO	DESCRIPTION	QTY	ITEM	PART NO	DESCRIPTION	QTY
1	198375 01	LEXION ADAPTOR W/A (2011 & ON)	1				
2	199467 01	LOCKING PIN (2012 & ON)	1				
OR	198620 01	LOCKING PIN (UPTO 2012)	1				
3	193154 01	TOP LOCK	2				
4	193153 01	TOP LOCKING LEVER LH	1				
5	193153 02	TOP LOCKING LEVER RH	1				
6	198656 01	LOCKING PIN W/A	2				
7	195878 01	LOCKING HANDLE ASSY	2				
8	198711 01	TOP SEAL STRIP	1				
9	290148 01	SIDE SEAL (RIVET) (2016 & ON)	2				
OR	198712 01	SIDE SEAL (BOLT) (UPTO 2016)	2				
10	290149 01	CLAMP STRIP (RIVET) (2016 & ON)	2				
OR	198713 01	CLAMP STRIP (BOLT) (UPTO 2016)	2				
11	198714 01	CLAMP STRIP (UPTO 2016)	2				
12	290538 01	CLAMP STRIP (2018 & ON)	2				
OR	198715 01	CLAMP STRIP (UPTO 2018)	1				
13	198922 01	SIDE SEAL (2011 & ON)	1				
14	198922 02	SIDE SEAL (2011 & ON)	1				
15	198987 01	SIDE CLAMP STRIP (2011 & ON)	2				
16	198986 01	PVC SEAL STRIP (2011 & ON)	1				
17	198989 01	CLAMP STRIP (2011 & ON)	1				
18	CHN-0145	CHAIN	0.17m				
18	CHN-0145	CHAIN	0.17m				
18	CHN-0145	CHAIN	0.17m				
18	CHN-0145	CHAIN	0.17m				
19	HSS-0088	HEX HD BOLT	4				
20	NUT-0260	NYLOC NUT	4				
21	WSH-0009	PLAIN WASHER	8				
22	SPGC32925	COMPRESSION SPRING (2012 & ON)	1				
OR	SPGC32355	COMPRESSION SPRING (UPTO 2012)	1				
23	WSH-0036	PLAIN WASHER (2012 & ON)	1				
OR	WSH-0030	PLAIN WASHER (UPTO 2012)	1				
24	PIN-1775	ROLL PIN	1				
25	WSH-0058	SPRING WASHER (2011 & ON)	20				
26	HSS-0140	SETSCREW (2011 & ON)	20				
27	NUT-0263	NYLOC NUT (UPTO 2016)	6				
28	WSH-0012	PLAIN WASHER (UPTO 2016)	6				
29	POP-0006	POP RIVET	22				
30	CLP-00103	R CLIP	4				
31	PIN-1923	ROLL PIN	2				

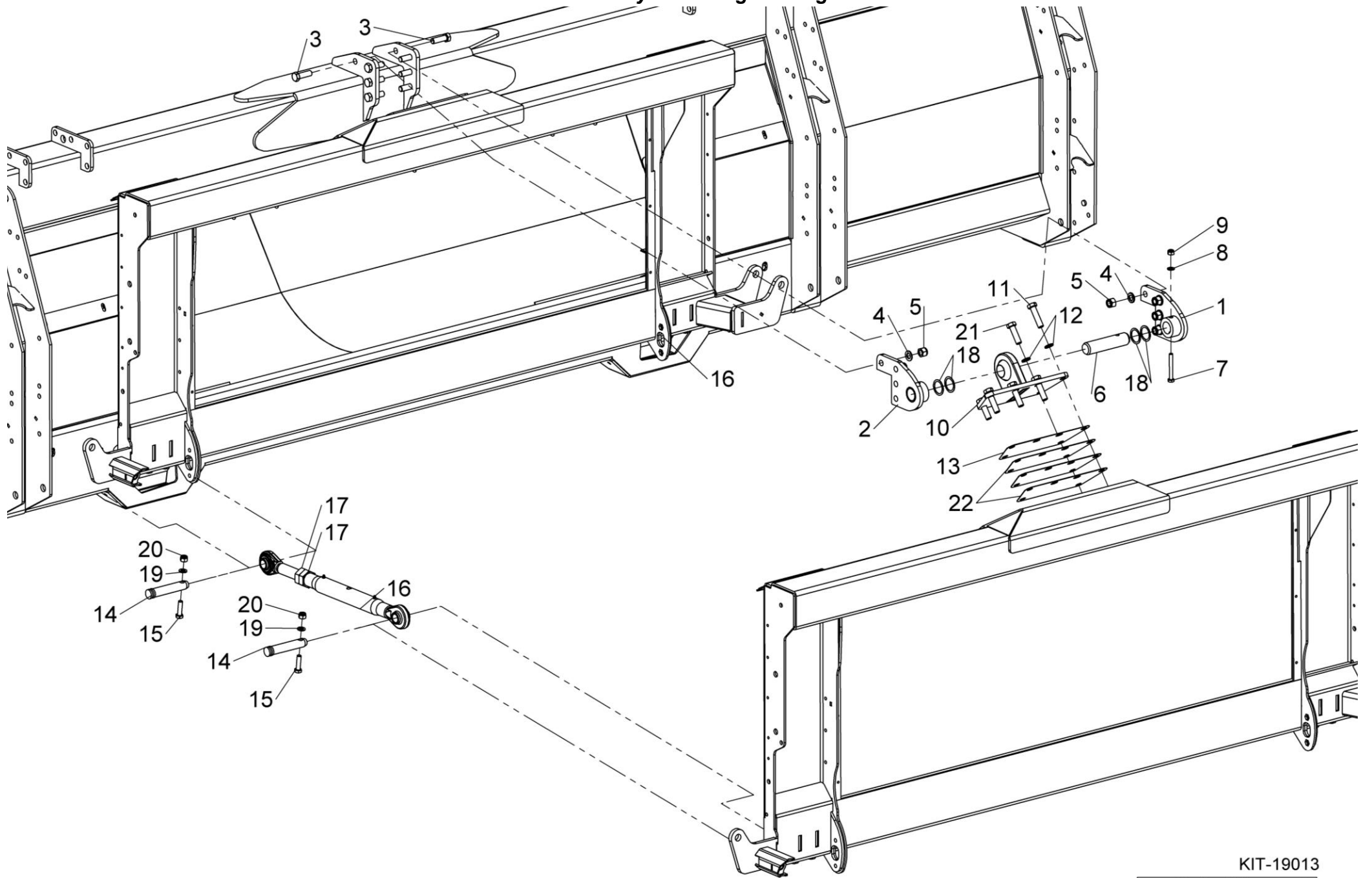


KIT-19003



Shelbourne Reynolds Engineering Limited

ASSY NUMBER: KIT-19013 & KIT-19043				ASSY DESCRIPTION: TILTING ADAPTOR PLATE KIT			
ITEM	PART NO	DESCRIPTION	QTY	ITEM	PART NO	DESCRIPTION	QTY
1	198371 01	HEADER PIVOT PLATE (KIT-19013)	1				
OR	290694 01	HEADER PIVOT PLATE (KIT-19043) (AGCO, GLEANER, MF, CHALLENGER 2018 & ON ONLY)	1				
2	198371 02	HEADER PIVOT PLATE (KIT-19013)	1				
OR	290694 02	HEADER PIVOT PLATE (KIT-19043) (AGCO, GLEANER, MF, CHALLENGER 2018 & ON ONLY)	1				
3	HSS-0318	SETSCREW	8				
4	WSH-0024	PLAIN WASHER	8				
5	NUT-0271	NYLOC NUT	8				
6	198592 01	HEADER PIVOT PIN	1				
7	BLTA10500	HEX HD BOLT	1				
8	WSH-0015	PLAIN WASHER	1				
9	NUT-0265	NYLOC NUT	1				
10	198367 01	HEADER PIVOT W/A (KIT-19013)	1				
OR	290695 01	HEADER PIVOT W/A (KIT-19043) (AGCO, GLEANER, MF, CHALLENGER 2018 & ON ONLY)	1				
11	HSS-0322	SETSCREW	4				
12	WSH-0070	SPTING WASHER	6				
13	198529 02	PACKER PLATE (5mm) (NOT AGCO)	1				
14	21708006	TOP LINK PIN (CAT II)	4				
15	BLTA12290	HEX HD BOLT	4				
16	ADL-11585	TOP LINK ASSY (2017 & ON)	2				
OR	ADL-11590	TOP LINK ASSY (2014-2016)	2				
OR	ADL-11550	TOP LINK ASSY (UPTO 2014)	2				
17	NUT-1127	NUT (2017 & ON, INC IN ITEM 16)	4				
OR	NUT-1127	NUT (2014-2016)	4				
OR	20801026	NUT (UPTO 2014)	2				
18	198800 30	WASHER	A/R				
19	WSH-0018	PLAIN WASHER	4				
20	NUT-0269	NYLOC NUT	4				
21	HSS-0319	SETSCREW	2				
22	198529 01	PACKER PLATE (1mm)	A/R				

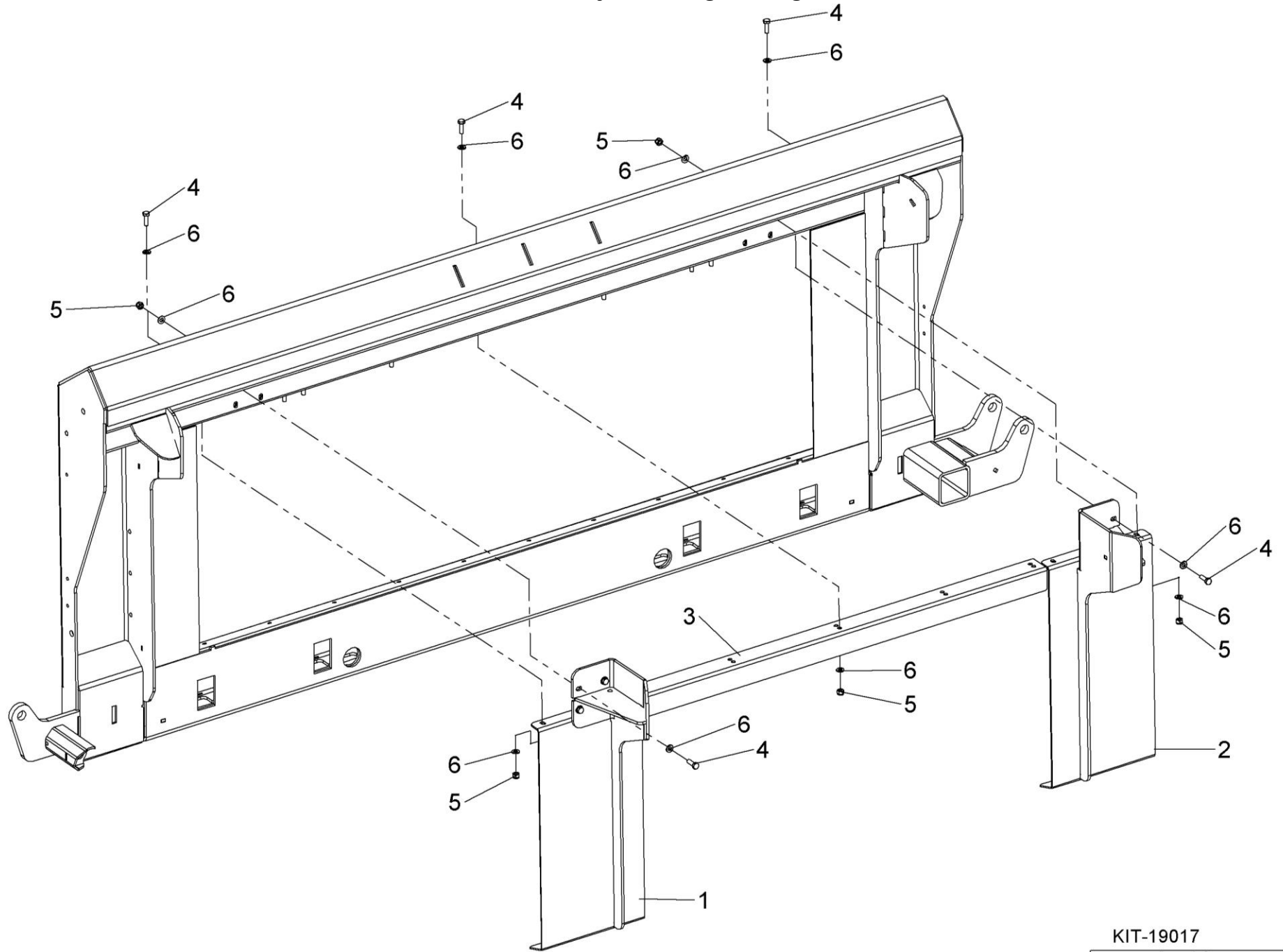


KIT-19013



Shelbourne Reynolds Engineering Limited

ASSY NUMBER: KIT-19017				ASSY DESCRIPTION: GLEANER FILL IN PLATE KIT			
ITEM	PART NO	DESCRIPTION	QTY	ITEM	PART NO	DESCRIPTION	QTY
1	199160 01	LH FILL IN PLATE	1				
2	199160 02	RH FILL IN PLATE	1				
3	197991 01	COVER PLATE	1				
4	HSS-0145	BOLT	17				
5	NUT-0263	NYLOC NUT	17				
6	WSH-0012	PLAIN WASHER	34				
							THIS KIT ONLY FITS GLEANER COMBINES WITH TILTING FEEDER HOUSE OR LARGE HORNS

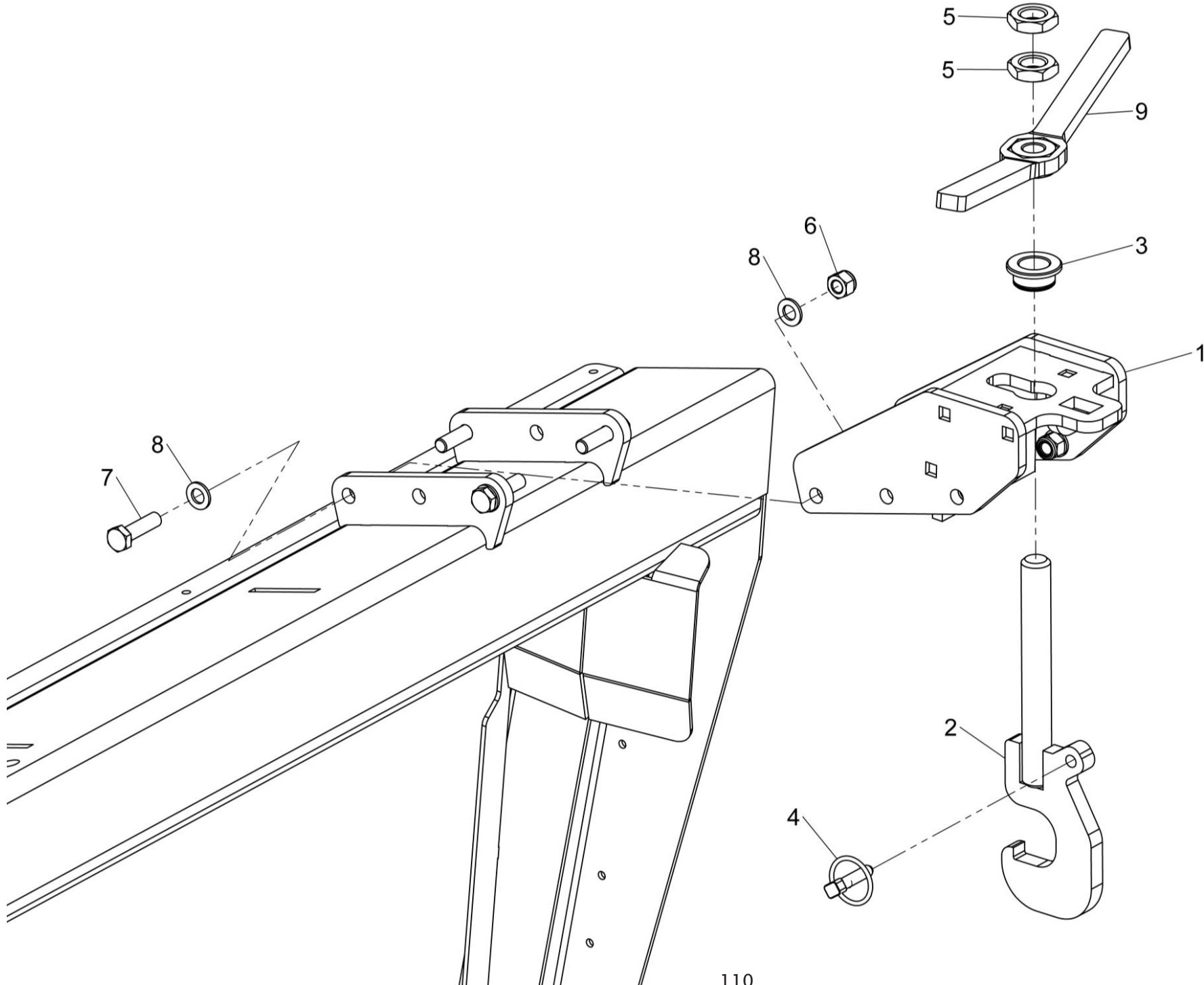


KIT-19017



Shelbourne Reynolds Engineering Limited

ASSY NUMBER: KIT-19026				ASSY DESCRIPTION: CNH ADAPTOR PLATE HOOK & BRKT ASSY			
ITEM	PART NO	DESCRIPTION	QTY	ITEM	PART NO	DESCRIPTION	QTY
1	199705 01	HOOK MOUNTING W/A (2014 & ON)	1				
2	199728 01	ADAPTOR HOOK (2014 & ON)	1				
3	199621 01	TOP HAT BUSH (2014 & ON)	1				
4	PIN-01950	LYNCH PIN (2014 & ON)	1				
5	NUT-0390	HALF NUT (2018 & ON)	2				
OR	NUT-0190	PLAIN NUT (UP TO 2018)	2				
6	NUT-0269	NYLOC NUT	4				
7	BLTA12290	HEX HD BOLT	4				
8	WSH-0018	PLAIN WASHER	8				
9	290563 01	WING NUT W/A (2018 & ON)	1				

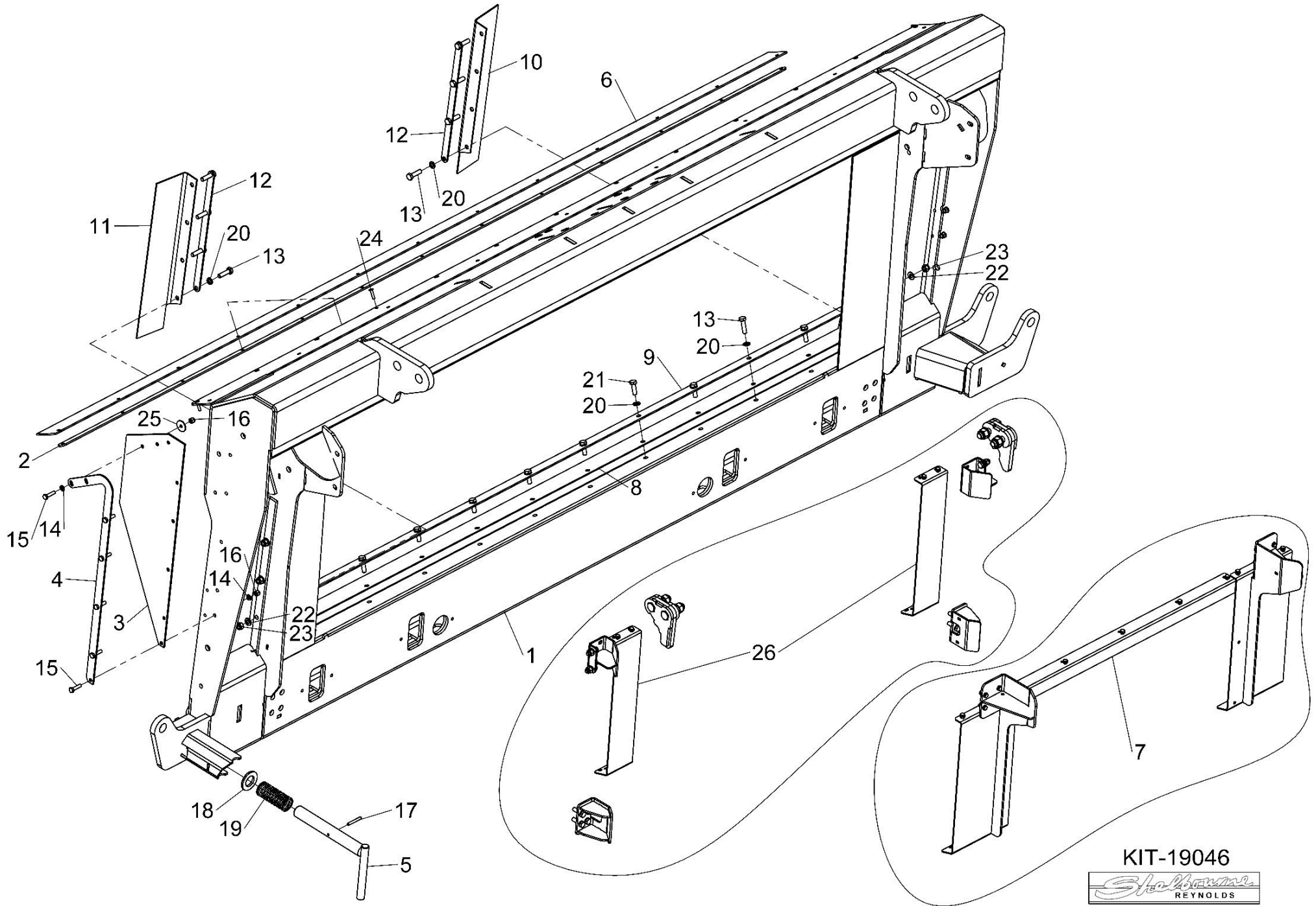


KIT-19026



Shelbourne Reynolds Engineering Limited

ASSY NUMBER: KIT-19046				ASSY DESCRIPTION: AGCO ADAPTOR PLATE KIT			
ITEM	PART NO	DESCRIPTION	QTY	ITEM	PART NO	DESCRIPTION	QTY
1	290700 01	AGCO ADAPTOR PLATE W/A	1				
2	198715 01	CLAMP STRIP	1				
3	198717 01	SIDE SEAL	2				
4	199479 01	SEAL CLAMP	2				
5	199467 01	LOCKING PIN	1				
6	199159 01	TOP SEAL PLATE	1				
7	KIT-19017	FILL IN PLT KIT (GLENER ONLY)	A/R				
8	199207 01	LOWER SEAL	1				
9	199197 01	LOWER SEAL MOUNTING PLATE	1				
10	198922 01	SEAL	1				
11	198922 02	SEAL	1				
12	198987 01	SIDE CLAMP PLATE	2				
13	HSS-0150	BOLT	12				
14	WSH-0009	PLAIN WASHER	12				
15	HSS-0088	SET SCREW	12				
16	NUT-0260	NYLOC NUT	12				
17	PIN-1775	ROLL PIN	1				
18	WSH-0036	PLAIN WASHER	1				
19	SPGC32925	COMPRESION SPRING	1				
20	WSH-0058	SPRING WASHER	14				
21	HSS-0145	BOLT	8				
22	WSH-0012	PLAIN WASHER	6				
23	NUT-0263	NYLOC NUT	6				
24	POP-0006	POP RIVET	13				
25	WSH-1036	PLAIN WASHER	2				
26	KIT-19049	FILL IN PLT KIT (IDEAL ONLY)	A/R				

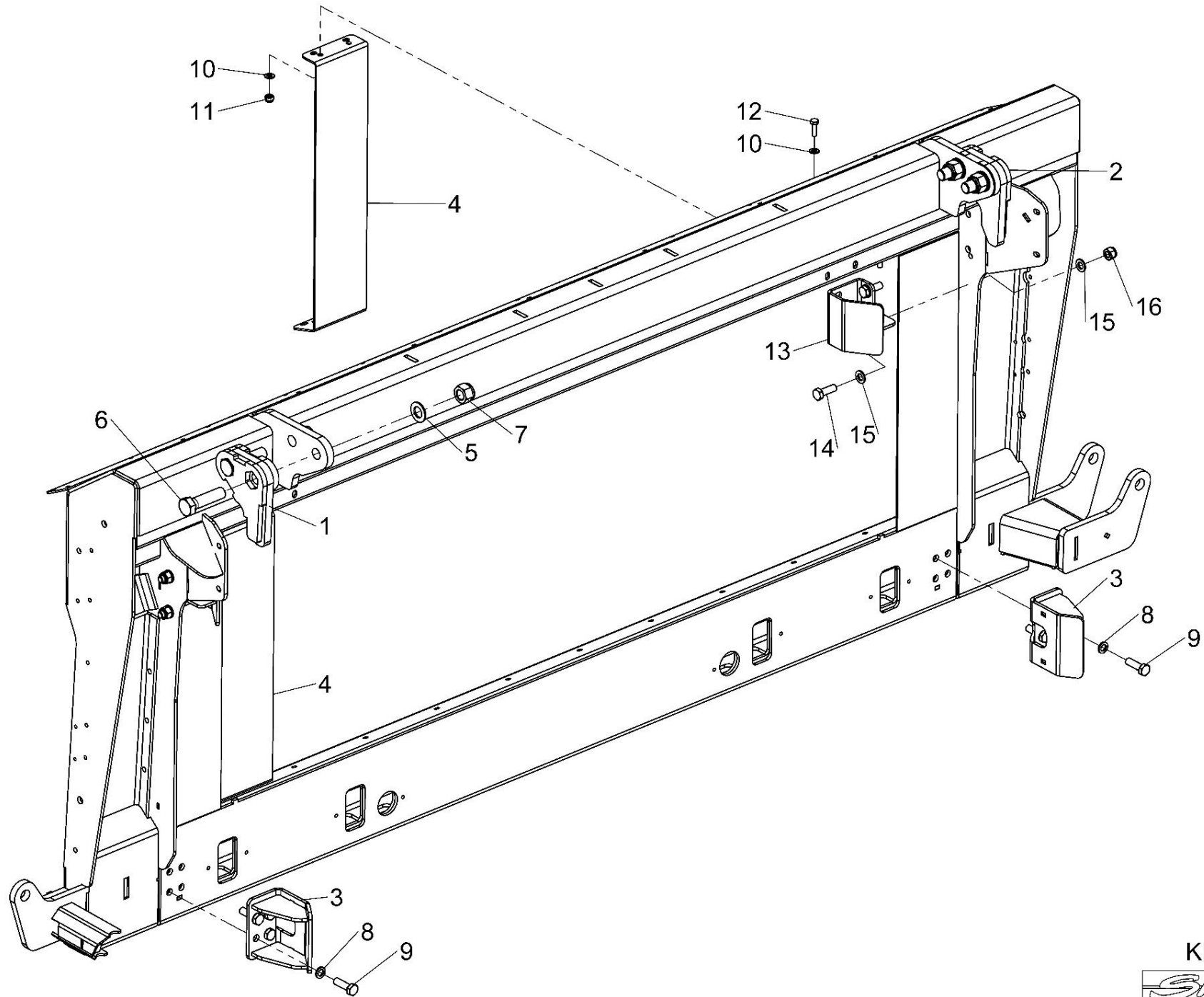


KIT-19046



Shelbourne Reynolds Engineering Limited

ASSY NUMBER: KIT-19049				ASSY DESCRIPTION: AGCO IDEAL MOUNTING KIT			
ITEM	PART NO	DESCRIPTION	QTY	ITEM	PART NO	DESCRIPTION	QTY
1	292595 01	IDEAL LUG W/A RH (2023 & ON)	1				
OR	291063 01	CLOSE LUG (UPTO 2023) FOR SPARES SUPPLY 292595 01 & 292595 02	2				
2	292595 02	IDEAL LUG W/A RH (2023 & ON)	1				
3	292790 01	LOCKING BRACKET	2				
4	291065 01	FILL PLATE	2				
5	WSH-0030	WASHER	8				
6	BLTA20470	BOLT (2023 & ON)	4				
OR	HSSA20410	SETSCREW (UPTO 2023)	4				
7	NUTA02200	NYLOC NUT	4				
8	WSH-0065	SPRING WASHER	8				
9	HSS-0250	SETSCREW	8				
10	WSH-0012	WASHER	8				
11	NUT-0263	NYLOC NUT	4				
12	HSS-0145	BOLT	4				
13	291113 01	GUIDE W/A (UPTO 2023)	2				
14	HSS-0241	SETSCREW	4				
15	WSH-0018	WASHER	8				
16	NUT-0269	NYLOC NUT	8				

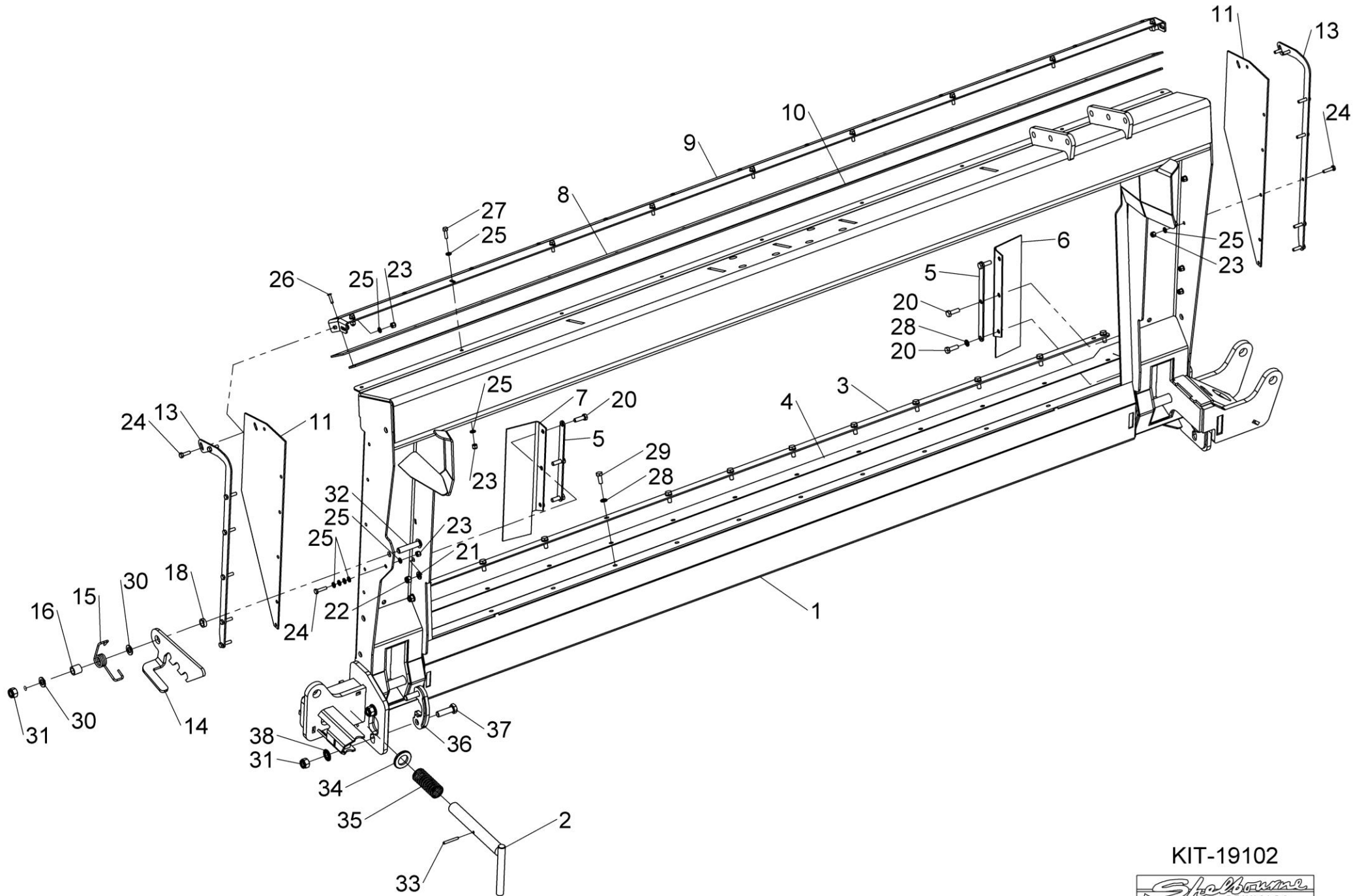


KIT-19049



Shelbourne Reynolds Engineering Limited

ASSY NUMBER: KIT-19102				ASSY DESCRIPTION: CNH CR11/AF11 EXCEL ADAPTOR SUB			
ITEM	PART NO	DESCRIPTION	QTY	ITEM	PART NO	DESCRIPTION	QTY
1	293380 01	CNH ADAPTOR PLT W/A	1				
2	199467 01	LOCKING PIN (25mm)	1				
3	198989 01	METAL STRIP	1				
4	198986 01	RUBBER STRIP	1				
5	198987 02	SIDE CLAMP STRIP	2				
6	199513 01	SIDE SEAL	1				
7	199513 02	SIDE SEAL	1				
8	199159 01	TOP SEAL STRIP	1				
9	199750 01	RUBBER FIXING PLT	1				
10	198715 01	CLAMP STRI	1				
11	199228 01	SIDE SEAL	2				
12							
13	199226 01	AROUND HD PLT	2				
14	198802 01	LOCKING PLATE	1				
15	198807 01	TORSION SPRING	1				
16	198811 02	SPACER TUB	1				
17							
18	198789 01	SPACER TUB	1				
19							
20	HSS-0145	SETSCREW	6				
21	WSH-0012	PLAIN WASHER	6				
22	NUT-0263	NYLOC NUT	6				
23	NUT-0260	NYLOC NUT	24				
24	HSS-0088	SETSCREW	11				
25	WSH-0009	PLAIN WASHER	37				
26	POP-0006	POP RIVET	13				
27	HSS-0086	SETSCREW	13				
28	WSH-0058	SPRING WASHER	14				
29	HSS-0140	SETSCREW	12				
30	WSH-0018	PLAIN WASHER	2				
31	NUT-0269	NYLOC NUT	5				
32	SCBA12350	BUTTON HEAD SCREW	1				
33	PIN-1775	ROLL PIN	1				
34	WSH-0036	PLAIN WASHER	1				
35	SPGC32925	COMPRESSION SPRING	1				
36	293393 01	ADJUSTER LUG W/A	2				
37	BLTA12260	BOLT	4				
38	WSHA30121	LOCK WASHER	4				

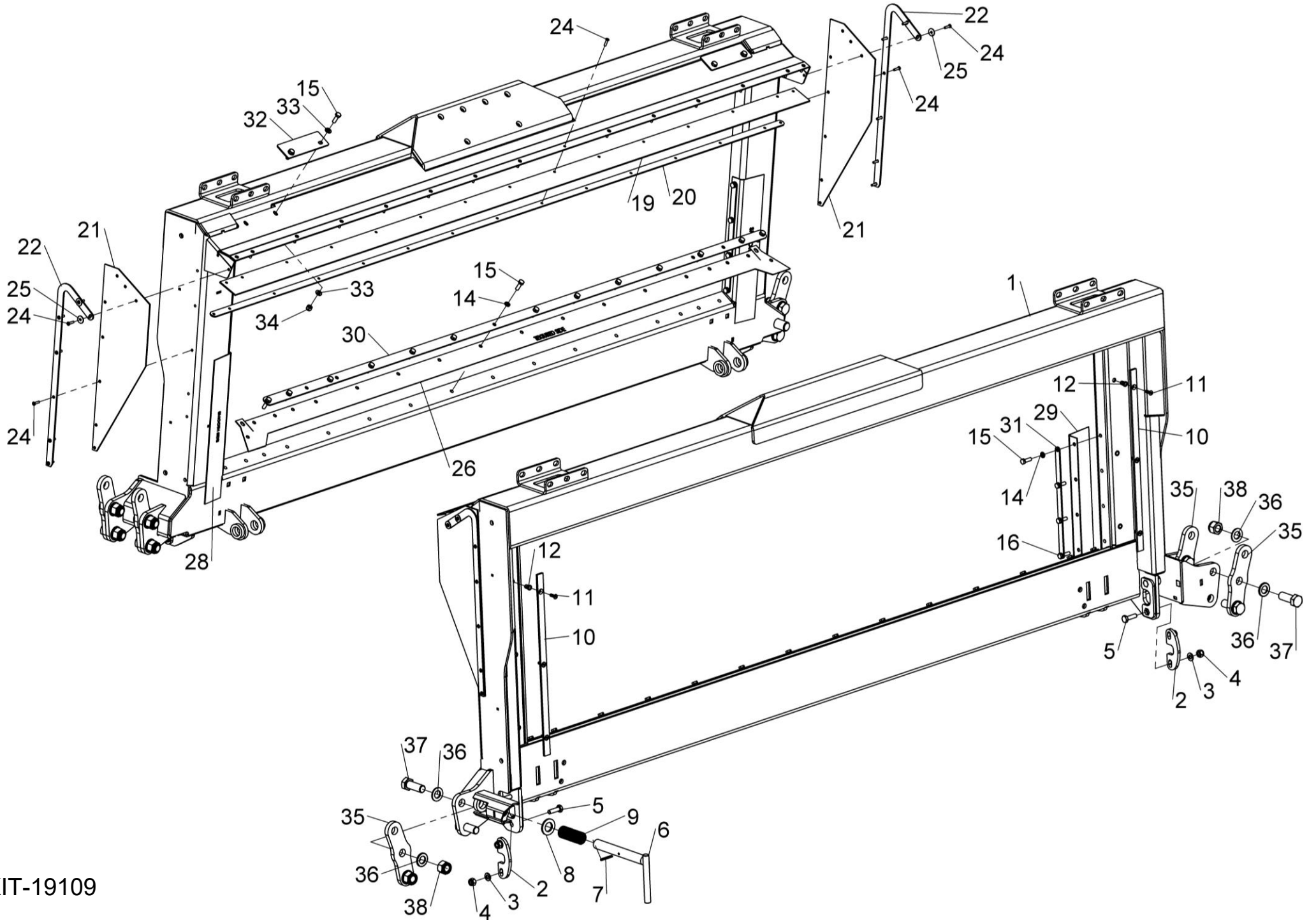


KIT-19102



Shelbourne Reynolds Engineering Limited

ASSY NUMBER: KIT-19109				ASSY DESCRIPTION: JD X9 ADAPTOR PLATE			
ITEM	PART NO	DESCRIPTION	QTY	ITEM	PART NO	DESCRIPTION	QTY
1	292681 01	JD X9 ADAPTOR W/A	1				
2	198521 01	PIN HOLE PLATE	2				
3	WSH-0015	PLAIN WASHER	4				
4	NUT-0265	NYLOC NUT	4				
5	HSS-0198	SETSCREW	4				
6	199467 01	LOCKING PIN	1				
7	PIN-1775	ROLL PIN	1				
8	WSH-0036	PLAIN WASHER	1				
9	SPGC32925	COMPRESSION SPRING	1				
10	197208 01	PACKER PLATE	A/R				
11	SCW-1580	CSK SOCKET HD SCW	A/R				
12	NUTA13060	NUTSERT	6				
13							
14	WSH-0058	SPRING WASHER	22				
15	HSS-0145	SETSCREW	22				
16	HSS-0150	SETSCREW	4				
17							
18							
19	291896 01	TOP SEAL STRIP X9	1				
20	291897 01	TOP CLAMP STRIP X9	1				
21	198717 01	SIDE SEAL	2				
22	199479 01	SEAL CLAMP	2				
23			4				
24	POP-0006	POP RIVET	29				
25	WSH-1034	PENNY WASHER	4				
26	291894 01	BOTTOM SEAL STRIP X9	1				
27							
28	198922 01	LH SEAL PLT	1				
29	198922 02	RH SEAL PLT	1				
30	291895 01	BOTTOM CLAMP STRIP X9	1				
31	198987 01	SIDE CLAMP STRIP	2				
32	290906 01	COVER PLATE	2				
33	WSH-0012	PLAIN WASHER	8				
34	NUT-0263	NYLOC NUT	4				
35	292686 01	SPRING CONNECTOR PLATE	2				
36	WSH-0030	WASHER	8				
37	BLT-2365	BOLT	4				
38	NUTA02200	NUT	4				



Shelbourne

REYNOLDS

USA (Office)

Shelbourne Reynolds INC.
1250 South Country Club Drive
P.O. Box 607
Colby, Kansas 67701
USA

General Enquiries (785) 462 6299
colby@shelbourne.com

UK (Main Office)

Shelbourne Reynolds Engineering Ltd
Shepherds Grove Industrial Estate West
Stanton
Bury St Edmunds
Suffolk
England
IP31 2AR

General Enquiries 01359 250415
sales@shelbourne.com

Parts 01359 251231
parts@shelbourne.com