

Shelbourne
REYNOLDS

XCV 36

Parts Manual 2025 & Onwards



STRIPPER HEADER

www.shelbourne.com



IMPORTANT

Your Stripper Header is made up of a Machine assembly number (common parts), specific sub assemblies and also customer optional build kits. The machine, sub assemblies and optional kit numbers are listed in the front pages of your Operators manual. If you do not have these numbers please contact Shelbourne Reynolds Parts Department direct on (telephone) Stanton - (01359) 251231 or Colby - (785) 462 6299.

To ensure that you order the correct part from your SRE dealer please use the following procedure.

Always quote the machine and serial numbers when ordering.

The year and/or serial number of the machine may determine the correct sub assembly.

Refer to the Parts Manuals front page/s, listing the machine assemblies. Select the correct machine assembly number which is printed in the top left corner of the page (starting with 1965_ _ 01), This machine number can also be taken from the Stripper Header identification plate located on the rear left hand corner of the machine.

On this page you will find the parts listing for the common parts for every configuration of that machine assembly number. You will find the corresponding drawing by either looking at the facing page or progressing through the manual to the next drawing. The drawings indicate the components by item numbers, which you will find, are repeated in the left-hand side of your parts listing, and therefore referring to the correct part.

Note all parts will not be found listed below the machine number. Other parts will be from specific sub assemblies and optional kits. These sub assemblies and kits will be found in numerical order further through the manual. Sub assemblies start with 1960_ _ 01 and kits start with KIT- 19 _ _ _.

The parts listing for adaptor plates, drive kits and hydraulic couplings can be found in the following manuals;

Drive & Adaptor Plate Manuals

Massey Ferguson	MAN-03172	Case IH	MAN-03178
Claas/Cat	MAN-03173	Gleaner/Challenger	MAN-03177
John Deere	MAN-03174	Laverda	MAN-03176
New Holland	MAN-03175		



Scan me to find more support manuals online

List Of Kit Numbers

196579 36	Shelbourne Header	1
196143 42	Lights Sub Assembly	3
196193 36	Hydraulics Sub Assembly	5
196253 04	Stripping Rotor Assembly LH	7
196254 04	Stripping Rotor Assembly RH	9
196255 04	Stripping Rotor Assembly Centre	11
196256 36	Crop Deflector Sub Assembly	13
196257 36	Hood Sub Assembly	15
196258 01	Rotor Mounting Sub Assembly	17
196285 36	Offset Auger Assembly	19
196289 01	Divider Sub Assembly	23
196291 36	Frame And Parts Sub Assembly	26
196334 36	Rear Drive Shaft Sub Assembly	31
196351 01	VS Drive Assembly	34
196366 01	Emblems And Guards Sub Assembly	37
GEA-0069	Input Gearbox (Pivoting)	41
KIT-00112	Idler Assembly Kit	43
KIT-00125	Auger Slip Clutch	45
KIT-00931	PTO Support Kit	47
KIT-00976	Ball Joint Centre Coupling Kit	49
KIT-00976A	Ball Joint Centre Coupling Kit	51
KIT-01414	Safety Decal Kit (N America)	53
KIT-01417	CE Area Kit	55
KIT-01445A	Rotor Pulley Assembly	57
KIT-01454	VS Drive Cam And Bearing Kit	59
KIT-01465	Rear Pulley Assembly	61
KIT-01485	Safety Decal Kit (Rest Of World)	63
KIT-19001	Spring Tilt Kit	65
KIT-19006	Skid Kit	67
KIT-19039	Gauge Wheel Kit	69
KIT-19040	Ball Joint Coupling	71
KIT-19114	Stainless Skid Cover Kit	73
PTO-260**	Stripper PTO And Parts	75
RDS-0002	Combine Monitor Kit	77
RDS-0007	Header Monitor Loom Kit	77

Drives 80

196549 128	CNH Drive Kit	81
196549 168	AGCO Drive Kit	83
196549 178	John Deere Drive Kit	85
196549 188	Claas Lexion Drive Kit	87

Hydraulics 90

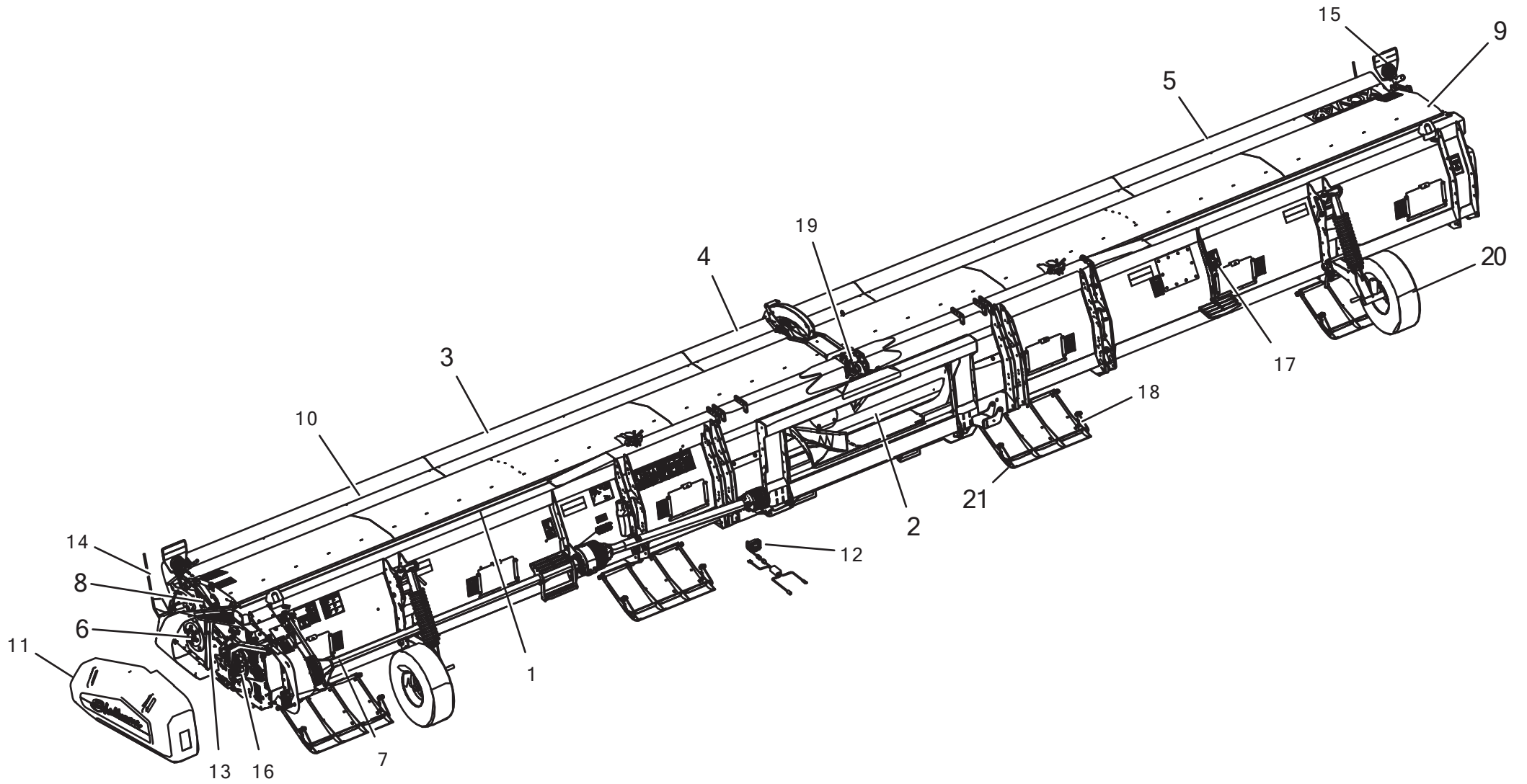
KIT-01726	CNH Hydraulic Multicoupler Kit	91
KIT-01732	Claas Lexion Hydraulic Multicoupler Kit	93
KIT-01737	John Deere X9 Hydraulic Loom Kit	95
KIT-01740	AGCO Ideal Hydraulic Multicoupler Kit	97
KIT-01741	AGCO Hydraulic Multicoupler Kit (Pivot GB/VS)	99
KIT-01742	Claas Lexion Hydraulic Multicoupler Kit	101
KIT-01746	CNH Hydraulic Multicoupler Kit (Pivot GB/VS)	103
KIT-01747	John Deere Hydraulic Multicoupler Kit (Pivot GB/VS)	105

Adaptor Plates 108

KIT-19002	John Deere Adaptor Plate	109
KIT-19003	Claas Lexion Adaptor Plate Kit	111
KIT-19013	Tilting Adaptor Plate Kit	113
KIT-19016	AGCO Adaptor Plate Kit	115
KIT-19017	Gleaner Fill In Plate Kit	117
KIT-19026	CNH Adaptor Plate Hook And Bracket Assembly	119
KIT-19046	AGCO Adaptor Plate	121
KIT-19049	AGCO Ideal Mounting Kit	123
KIT-19102	CNH Adaptor Plate	125
KIT-19109	John Deere X9 Adaptor Plate	127

Shelbourne Reynolds Engineering Limited

ASSY NUMBER: 196579 36				ASSY DESCRIPTION: EXCEL 36 SHELBOURNE HEADER			
ITEM	PART NO	DESCRIPTION	QTY	ITEM	PART NO	DESCRIPTION	QTY
1	196291 36	FRAME & PARTS SUB ASSY	1	16	196351 01	VS DRIVE ASSY (XCV)	1
2	196285 36	AUGER ASSY (OFFSET)	1	OR	196343 01	HTD DRIVE ASSY (XCS)	1
3	196253 03	STRIPPING ROTOR ASSY 3.6m LH	1	17	KIT-01414	SAFETY DECAL KIT (N AMERICA)	1
4	196255 03	STRIPPING ROTOR ASSY 3.6m CTR	1	OR	KIT-01485	SAFETY DECAL KIT (REST OF WORLD)	1
5	196254 03	STRIPPING ROTOR ASSY 3.6m RH	1	18	KIT-19006	SKID KIT	1
6	196258 01	ROTOR MOUNTING SUB	1	19	KIT-19013	TILTING ADAPTOR PLATE KIT	1
7	196334 36	REAR DRIVE SHAFT SUB (2025 & ON)	1	20	KIT-19039	GAUGE WHEEL KIT	1
OR	196274 36	REAR DRIVE SHAFT SUB (UPTO 2025)	1	21	KIT-19114	STAINLESS SKID COVER KIT	1
8	196193 36	HYDRAULICS SUB ASSY	1				
9	196257 36	HOOD SUB ASSY	1				
10	196256 36	CROP DEFLECTOR SUB	1				
11	196366 01	EMBLEM & GUARD SUB (XCV)	1				
OR	196284 01	EMBLEM & GUARD SUB (XCS)	1				
12	RDS-0007	HEADER MONITOR LOOM KIT	1				
13	RDS-0002	COMBINE MONITOR KIT (XCV)	1				
OR	RDS-0003	COMBINE MONITOR KIT (XCS)	1				
14	196289 01	DIVIDER SUB	1				
15	196143 42	HEADER LIGHTS SUB (USA ONLY)	1				

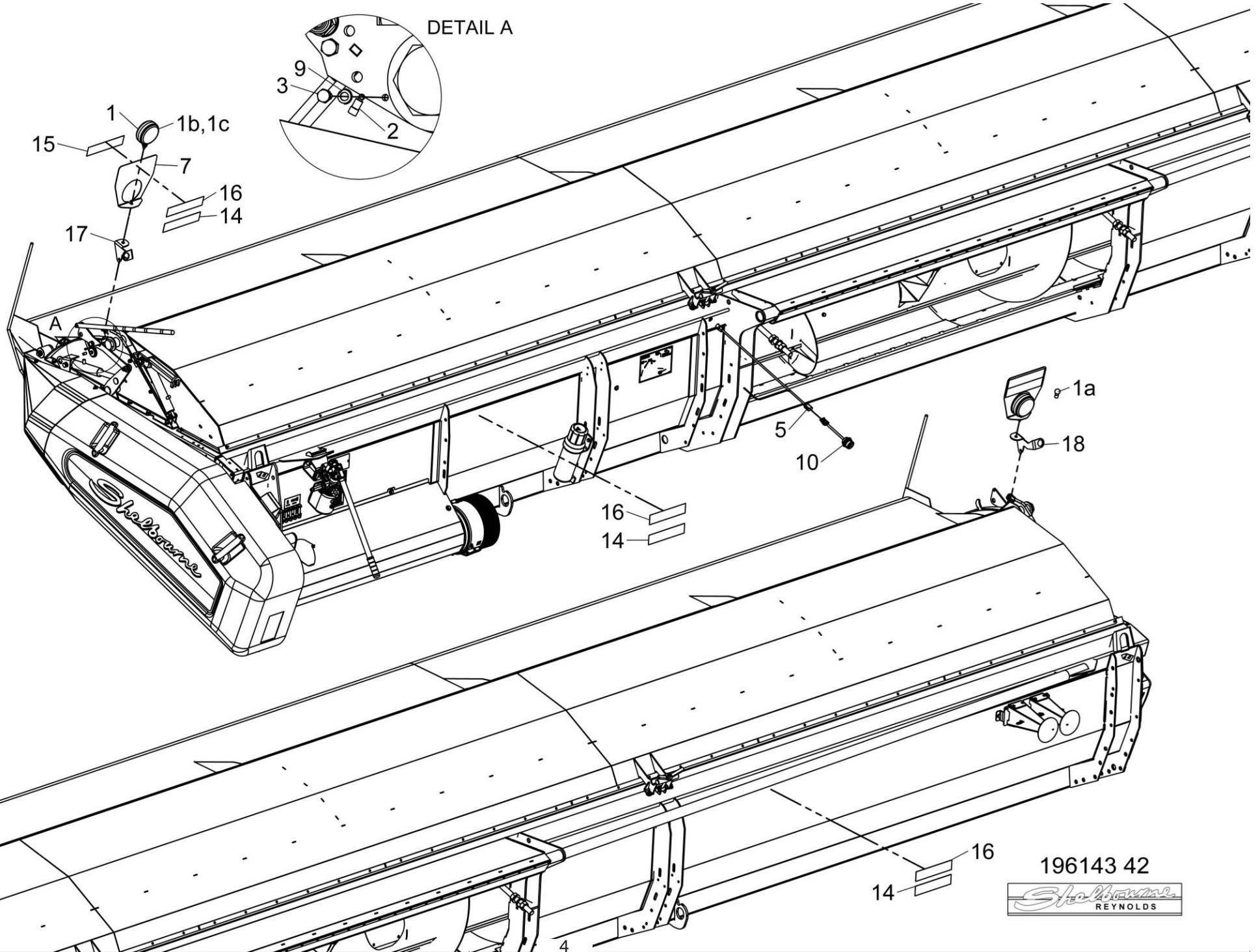
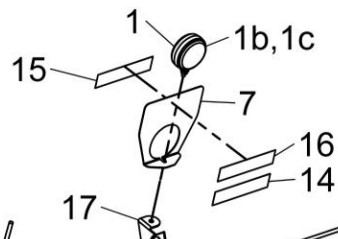
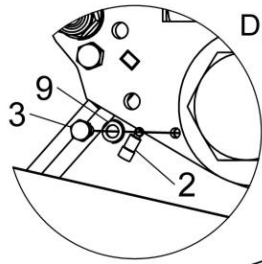


Shelbourne Reynolds Engineering Limited

ASSY NUMBER: 196143 42				ASSY DESCRIPTION: HEADER LIGHTS SUB EXCEL 36-42			
ITEM	PART NO	DESCRIPTION	QTY	ITEM	PART NO	DESCRIPTION	QTY
1	LMP-10505	INDICATOR LAMP	2	12			
1a	BLB-0015	SPARE BULB (2013 & ON)		13			
OR	BLB-0085	LED BULB FOR JD S7 (2013 &ON)		14	TPE-00300	FLUORESCENT TAPE -RED/ORANGE	0.23m
OR	BLB-0020	SPARE BULB (2012 - 2013)		14	TPE-00300	FLUORESCENT TAPE -RED/ORANGE	0.23m
OR	BLB-0075	SPARE BULB (UP TO 2012		14	TPE-00300	FLUORESCENT TAPE -RED/ORANGE	0.23m
1b	LMP-10009	SPARE LENS (3 SCREWS 2013&ON)		14	TPE-00300	FLUORESCENT TAPE -RED/ORANGE	0.23m
1b	LMP-10006	SPARE LENS (GROTE, 2012-2013)		14	TPE-00300	FLUORESCENT TAPE -RED/ORANGE	0.23m
1b	LMP-10000	SPARE LENS FRONT (UPTO 2012)		14	TPE-00300	FLUORESCENT TAPE -RED/ORANGE	0.23m
1c	LMP-10001	SPARE LENS REAR (PMG UPTO 2012)		15	TPE-00250	REFLECTIVE TAPE - YELLOW	0.23m
2	ETM-00440	LOOP TERMINAL	2	15	TPE-00250	REFLECTIVE TAPE - YELLOW	0.23m
3	HSS-0055	SETSCREW	3	16	TPE-00251	REFLECTIVE TAPE - RED	0.23m
OR	SCW-5180	SELF TAP SCREW	3	16	TPE-00251	REFLECTIVE TAPE - RED	0.23m
4	ETM-00560	MALE BULLET TERMINAL	2	16	TPE-00251	REFLECTIVE TAPE - RED	0.23m
5	198524 01	WIRE LOOM & PLUG ASSY	1	16	TPE-00251	REFLECTIVE TAPE - RED	0.23m
6				16	TPE-00251	REFLECTIVE TAPE - RED	0.23m
7	290739 01	INDICATOR GUARD (2019 & ON)	2	16	TPE-00251	REFLECTIVE TAPE - RED	0.23m
OR	193567 01	INDICATOR GUARD (UP TO 2019)	2	17	198958 01	LH LIGHT MOUNTING BRACKET	1
8				18	198958 02	RH LIGHT MOUNTING BRACKET	1
9	WSH-0006	PLAIN WASHER	3				
10	193516 01	LIGHT PLUG (JD PRE 50 SERIES)	1				
OR	195207 01	LIGHT PLUG (JD 50 SERIES)	1				
OR	SEE KIT-01727	LIGHT PLUG (JD 60,70,S600 &	1				
	OR KIT-01733	S700 SERIES)	1				
	OR KIT-01747		1				
OR	197040 01	LIGHT PLUG (CASE IH & NH)	1				
a	ECN-09060	SPARE LOCK WASHER					
b	ECN-09050	SPARE PANEL NUT					
OR	198732 01	LIGHT PLUG (NH TR)	1				
OR	SEE KIT-01731	LIGHT PLUG (AGCO MULTI)	1				
	OR KIT-01736						
	OR KIT-01741						
OR	SEE KIT-01735	LIGHT PLUG (AGCO IDEAL MULTI)	1				
	OR KIT-01740		1				
OR	SEE KIT-01732	LIGHT LOOM (CLAAS MULTI)					
OR	291911 01	LONG LIGHT CABLE (11m)	1				
OR	292994 01	JD X9 LIGHT LOOM (PRE2024 X9)	1				
OR	293999 01	JD X9 LIGHT LOOM (2024 &ON X9)					
OR	293594 01	JD S7 LIGHT LOOM	1				

Shelbourne Reynolds Engineering Limited

DETAIL A



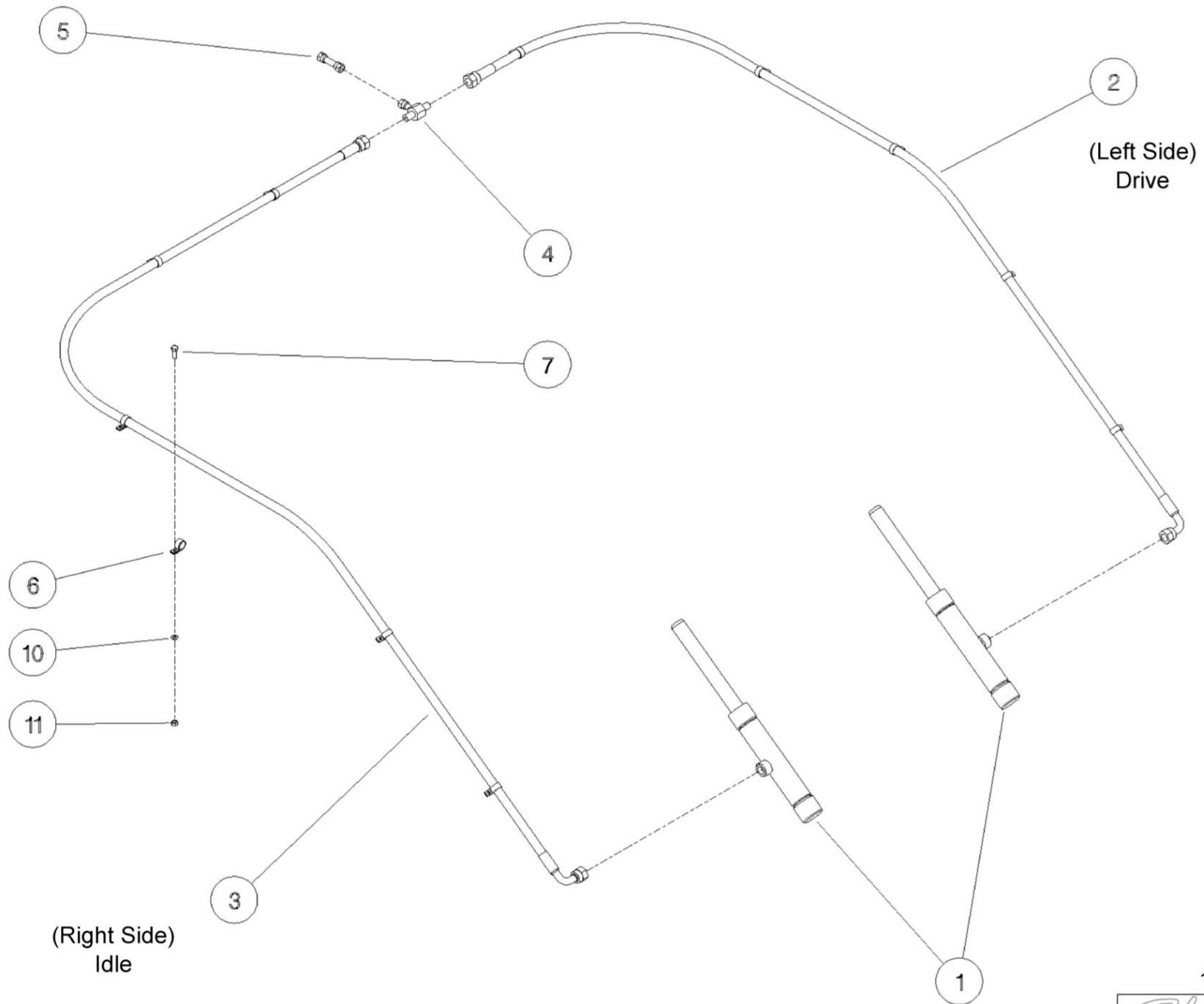
196143 42



Shelbourne Reynolds Engineering Limited

ASSY NUMBER: 196193 36				ASSY DESCRIPTION: HYDRAULIC CIRCUIT SUB EXCEL 36			
ITEM	PART NO	DESCRIPTION	QTY	ITEM	PART NO	DESCRIPTION	QTY
1	195075 01	HYDRAULIC RAM	2				
1a	RMSK00030	SEAL KIT (SPARES)					
2	HHBC53610	HYD HOSE ASSY LH	1				
3	HHBC83710	HYD HOSE ASSY RH	1				
4	HPPD07100	HYD TEE FITTING	1				
5	FIT-0213	HYD BULKHEAD FITTING	1				
6	CLP-01012	P CLIP	5				
7	SCW-4960	BUTTON SKT.HD SCREW	4				
8							
9							
10	WSH-0009	PLAIN WASHER	4				
11	NUT-0260	NYLOC NUT	4				

Shelbourne Reynolds Engineering Limited

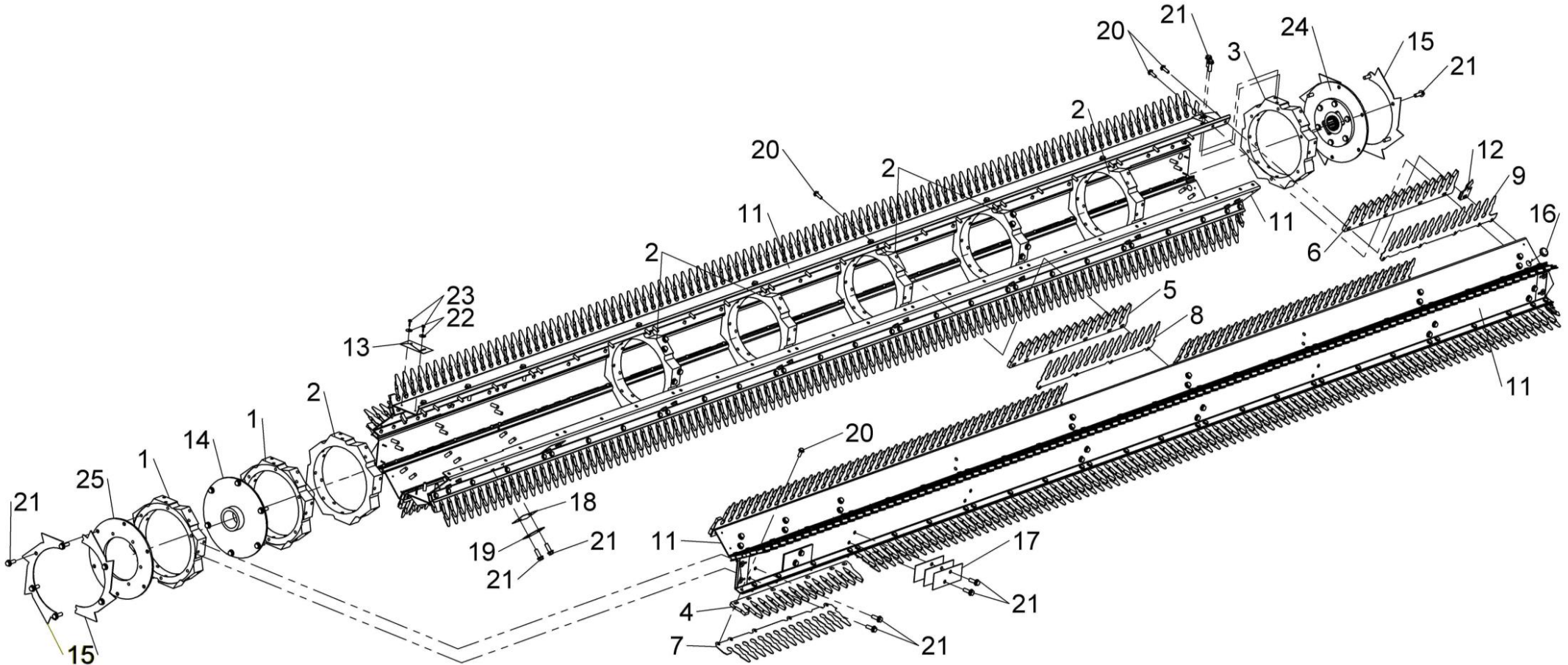


196193



Shelbourne Reynolds Engineering Limited

ASSY NUMBER: 196253 03 & 196253 03R				ASSY DESCRIPTION: 3.6m DRIVE END ROTOR ASSY & RICE VARIANT			
ITEM	PART NO	DESCRIPTION	QTY	ITEM	PART NO	DESCRIPTION	QTY
1	192892 01	OUTER HUB CASTING LH	2				
2	192892 03	INNER HUB CASTING	5				
3	192892 02	OUTER HUB CASTING RH	1				
4	193558 02	SUPPORT FINGER END HOLE	8				
OR	193558 01	FOR SPARES, CUT AND MODIFY STD SUPPORT FINGER	8				
5	193558 01	SUPPORT FINGER STD	32				
6	193558 03	SUPPORT FINGER CTR END	8				
OR	193558 01	FOR SPARES, CUT AND MODIFY STD SUPPORT FINGER	8				
7	197719 01	SEED SAVER FINGER LH END	8				
OR	291011 02	S.S. FINGER RH END LONG TIP	8				
8	197717 01	SEED SAVER FINGER CTR	32				
OR	291009 01	S.S. FINGER CTR LONG TIP	32		NOTE	1 x ITEM 11 TO HAVE HOLE KNOCKED OUT FOR GREASER	
9	197718 02	SEED SAVER FINGER LH CTR	8				
OR	291010 01	S.S. FINGER LH END LONG TIP	8		NOTE	197719 01 & 197718 02 ARE CORRECT PARTS WHEN FINGERS SET WITH FLANGES UP, i.e.,	
10							
11	199019 01	ROTOR PANEL 3.6m	8				
OR	199019 04	SPARES COMMON 3.6m ROTOR PANEL					
12	194109 01	CENTRE FINGER LH	8				
OR	292310 01	RICE CENTRE FINGER LH	8				AGGRESSIVE.
13	192679 01	ANTI WRAP PLATE (HALF SET)	8				
OR	192679 01	ANTI WRAP PLATE (FULL SET)	11				
14	197114 01	ROTOR DRIVE DISC W/A	1				
15	192959 01	OUTER CLAMP RING	4				
16	BPG-00200	PLASTIC BODY PLUG	1				WHEN FLANGES ARE DOWN, i.e., NON-AGGRESSIVE, USE 197719 02 & 198718 01.
17	193118 01	BALANCE WEIGHT (100g)	A/R				
18	193118 02	BALANCE WEIGHT (50g)	A/R				
19	193382 01	BALANCE WEIGHT (25g)	A/R				
20	HSSF08174	TENSILOCK SETSCREW	208				
21	HSSG10204	TENSILOCK SETSCREW	146				291011 02 & 291010 01 ARE CORRECT PARTS WHEN FINGERS SET WITH FLANGES DOWN, i.e.,
22	WSH-1034	PENNY WASHER	16/22				NON-AGGRESSIVE, FOR RICE.
23	SCW-5180	HEX HD SELF TAP SCREW	16/22				THESE FINGERS CAN NOT BE SET
24	KIT-00976	BALL JOINT CTR COUPLING ASSY SEE KIT-00976 PAGE FOR PARTS BREAKDOWN	1				AGGRESSIVELY
25	197111 01	ROTOR DRIVE DISC (2013 & ON)	1				

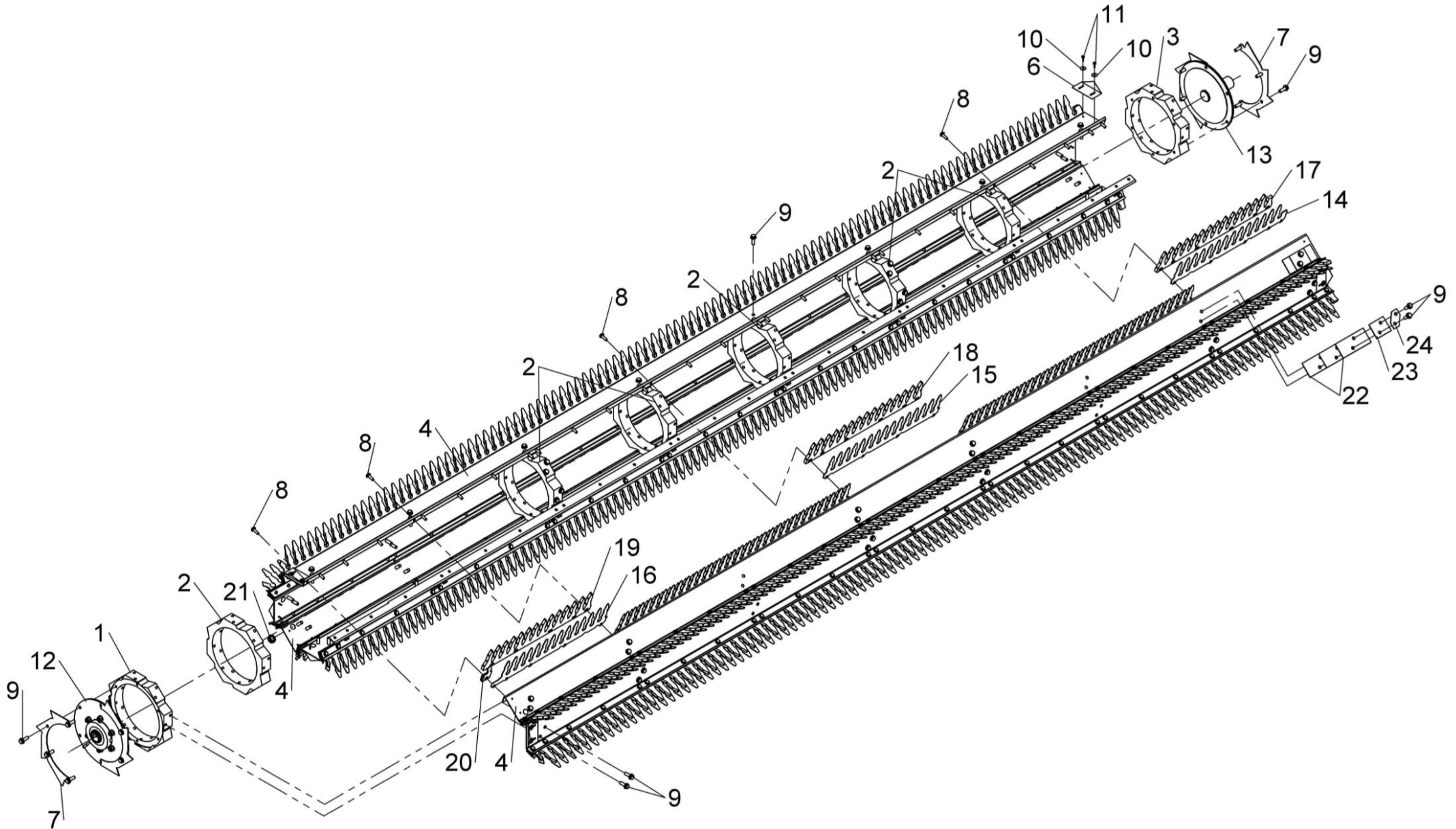


196253 04
196253 03
196253 02



Shelbourne Reynolds Engineering Limited

ASSY NUMBER: 196254 03 & 196254 03R				ASSY DESCRIPTION: 3.6m IDLE END ROTOR ASSY & RICE VARIANT			
ITEM	PART NO	DESCRIPTION	QTY	ITEM	PART NO	DESCRIPTION	QTY
1	192892 01	OUTER HUB CASTING LH	1				
2	192892 03	INNER HUB CASTING	5				
3	192892 02	OUTER HUB CASTING RH	1				
4	199019 02	ROTOR PANEL 3.6m	8				
OR	199019 04	SPARES COMMON 3.6m ROTOR PANEL			NOTE	1 x ITEM 4 TO HAVE HOLE KNOCKED OUT FOR GREASER	
5							
6	192679 01	ANTI WRAP PLATE (HALF SET)	8				
OR	192679 01	ANTI WRAP PLATE (FULL SET)	11				
7	192959 01	OUTER CLAMP RING	4				
8	HSSF08174	TENSILOCK SETSCREW	208				
9	HSSG10204	TENSILOCK SETSCREW	124				
10	WSH-1034	PENNY WASHER	16/22				
11	SCW-5180	HEX HD SELF TAP SCREW	16/22		NOTE	197719 02 & 197718 01 ARE CORRECT PARTS WHEN FINGERS SET WITH FLANGES UP, i.e., AGGRESSIVE.	
12	KIT-00976A	BALL JOINT CTR COUPLING ASSY FOR SPARES SUPPLY KIT-00976 SEE KIT-00976A FOR PARTS BREAKDOWN	1				
13	192899 01	IDLE SHAFT W/A	1				
14	197719 02	SEED SAVER FINGER RH END	8				
OR	291011 01	S.S. FINGER LH END LONG TIP	8				
15	197717 01	SEED SAVER FINGER CTR	32				
OR	291009 01	S.S. FINGER CTR LONG TIP	32				
16	197718 01	SEED SAVER FINGER RH CTR	8				
OR	291010 02	S.S. FINGER LH CTR LONG TIP	8				
17	193558 02	SUPPORT FINGER END HOLE	8				
OR	193558 01	FOR SPARES, CUT AND MODIFY STD SUPPORT FINGER	8				
18	193558 01	SUPPORT FINGER STD	32				
19	193558 03	SUPPORT FINGER CTR END	8				
OR	193558 01	FOR SPARES, CUT AND MODIFY STD SUPPORT FINGER	8				
20	194109 02	CENTRE FINGER RH	8				
OR	292310 02	RICE CENTRE FINGER RH	8				
21	BPG-00200	PLASTIC BODY PLUG	1				
22	193118 01	BALANCE WEIGHT (100g)	A/R				
23	193118 02	BALANCE WEIGHT (50g)	A/R				
24	193382 01	BALANCE WEIGHT (25g)	A/R				
						WHEN FLANGES ARE DOWN, i.e., NON-AGGRESSIVE, USE 197719 01 & 198718 02. 291011 01 & 291010 02 ARE CORRECT PARTS WHEN FINGERS SET WITH FLANGES DOWN, i.e., NON-AGGRESSIVE, FOR RICE. THESE FINGERS CAN NOT BE SET AGGRESSIVELY	

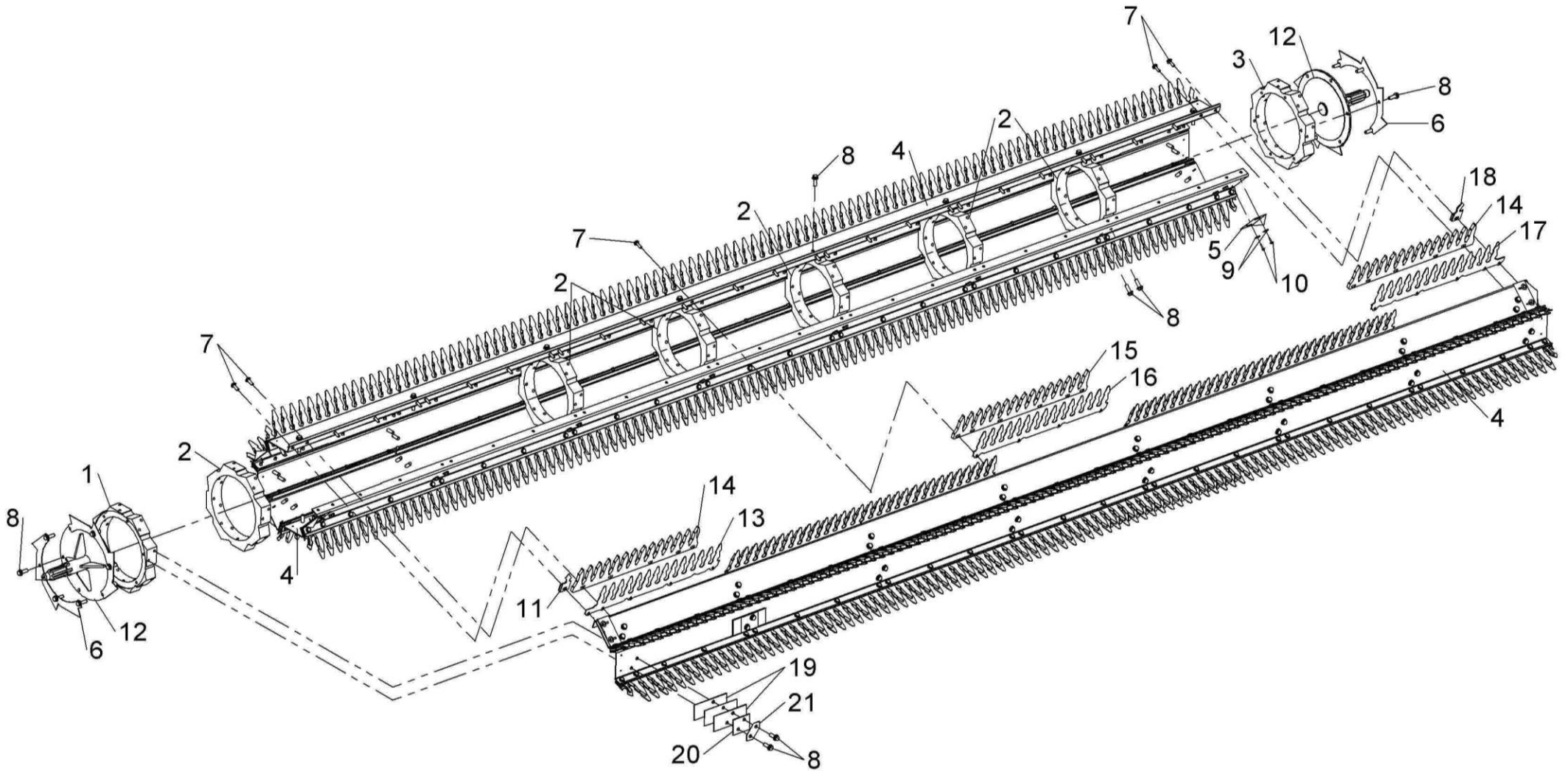


196254 04
196254 03
196254 02



Shelbourne Reynolds Engineering Limited

ASSY NUMBER: 196255 03 & 196255 03R				ASSY DESCRIPTION: 3.6m CENTRE ROTOR ASSY & RICE VARIANT			
ITEM	PART NO	DESCRIPTION	QTY	ITEM	PART NO	DESCRIPTION	QTY
1	192892 01	OUTER HUB CASTING LH	1				
2	192892 03	INNER HUB CASTING	5				
3	192892 02	OUTER HUB CASTING RH	1				
4	199019 02	ROTOR PANEL 3.6m	8				
OR	199019 04	SPARES COMMON 3.6m ROTOR PANEL					
5	192679 01	ANTI WRAP PLATE (HALF SET)	8				
OR	192679 01	ANTI WRAP PLATE (FULL SET)	16				
6	192959 01	OUTER CLAMP RING	4				
7	HSSF08174	HEX. HEAD BOLT	208				
8	HSSG10204	HEX. HEAD SET SCREW	124				
9	WSH-1034	PENNY WASHER	16/32				
10	SCW-5180	HEX HD SELF TAP SCREW	16/32				
11	194109 02	RH CENTRE FINGER W/A	8				
OR	292310 02	RICE CENTRE FINGER RH	8				
12	193103 01	CENTRE DRIVE SHAFT W/A	2				
13	197718 01	SEED SAVER FINGER RH CENTRE	8				
OR	291010 02	S.S FINGER LH CTR LONG TIP	8				
14	193558 03	SUPPORT FINGER	16				
OR	193558 01	FOR SPARES, CUT AND MODIFY STD SUPPORT FINGER	16				
15	193558 01	SUPPORT FINGER	32				
16	197717 01	CENTRE SEED SAVER FINGER	32				
OR	291009 01	S.S. FINGER CTR LONG TIP	32				
17	197718 02	SEED SAVER FINGER LH CENTRE	8				
OR	291010 01	S.S. FINGER RH CTR LONG TIP	8				
18	194109 01	LH CENTRE FINGER W/A	8				
OR	292310 01	RICE CTR FINGER LH	8				
19	193118 01	BALANCE WEIGHT (100g)	A/R				
20	193118 02	BALANCE WEIGHT (50g)	A/R				
21	193382 01	BALANCE WEIGHT (25g)	A/R				
					NOTE	197718 01 AND 197718 02 ARE CORRECT PARTS WHEN FINGERS ARE SET WITH FLANGES UP, i.e., AGGRESSIVE. WHEN FLANGES ARE DOWN, i.e., NON-AGGRESSIVE, USE 197718 02 AND 198718 01. 291010 01 AND 291010 02 ARE CORECT PARTS WHEN FINGERS SET WITH FLANGES DOWN, i.e., NON-AGGRESSIVE, FOR RICE. THESE FINGERS CAN NOT BE SET AGGRESSIVELY	

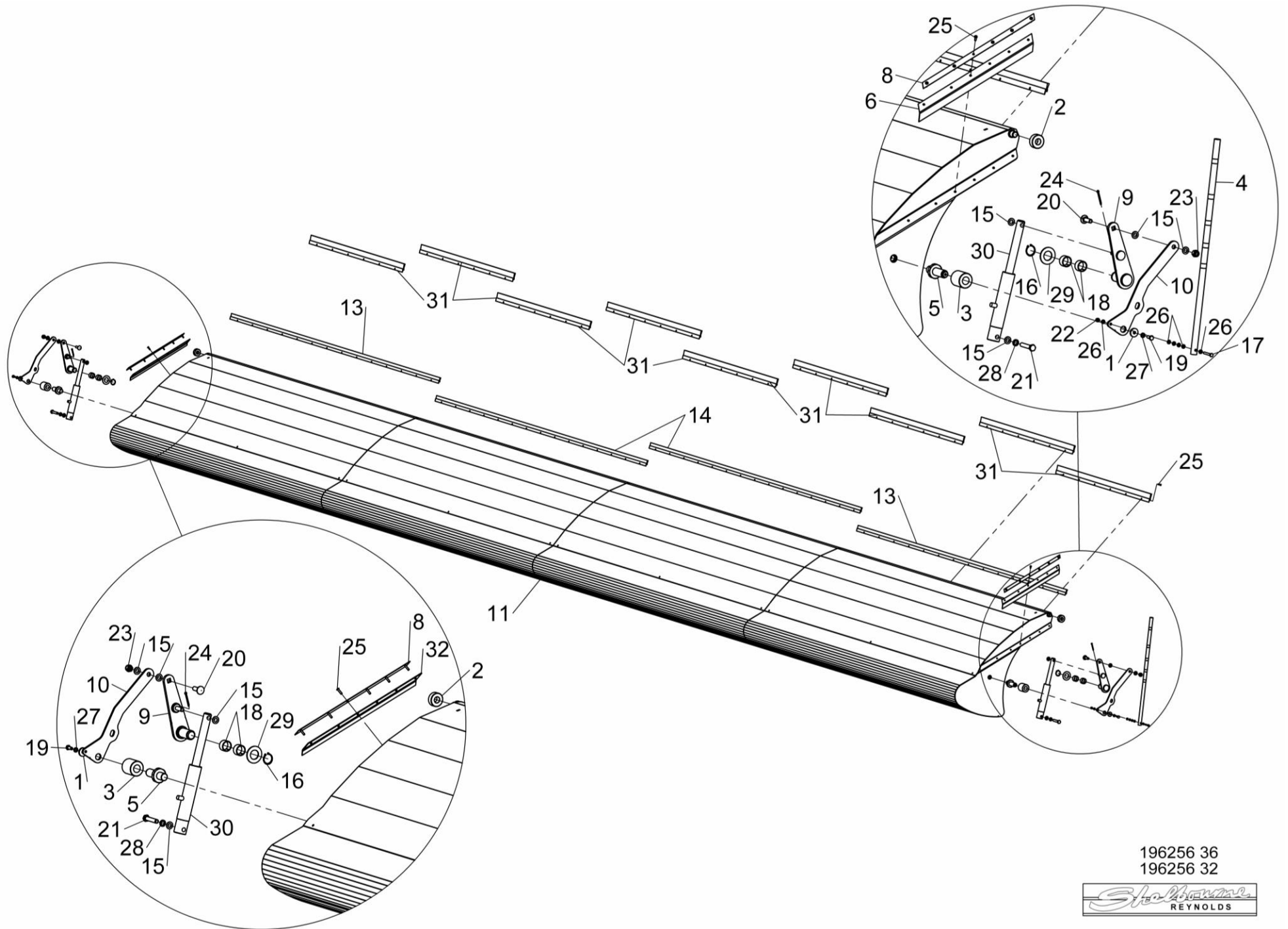


196255 04
196255 03



Shelbourne Reynolds Engineering Limited

ASSY NUMBER: 196256 36				ASSY DESCRIPTION: EXCEL 36 CROP DEFLECTOR SUB ASSY			
ITEM	PART NO	DESCRIPTION	QTY	ITEM	PART NO	DESCRIPTION	QTY
1	190119 08	WASHER	2	30	195075 01	HYDRAULIC RAM	2
2	191642 01	NYLON ROLLER	2	30a	RMSK00030	RAM SEAL KIT	
3	192688 01	NYLON ROLLER	2	31	290871 01	BRUSH (1193mm) (2019 & ON)	9
4	192494 01	INDICATOR ROD	1	32	292110 02	SIDE SEAL RH (SMOOTH SIDE UP)	1
5	195379 01	SPINDLE	2				
6	292110 01	SIDE SEAL LH (SMOOTH SIDE UP)	1				
7							
8	195433 01	CLAMP STRIP	2				
9	290129 01	LEVER ARM (2017 & ON)	2				
OR	198479 01	LEVER ARM (UPTO 2017)	2				
10	290102 01	LINK ARM (2017 & ON)	2				
OR	198480 01	LINK ARM (UPTO 2017)	2				
11	292640 01	36' CROP DEFLECT. W/A (XCV/XCS)	1				
OR	196256 36A	SPARES XCV36 CROP DEF. ASSY, INC ITEMS 6,8,11,25 & 31					
11	292640 02	36' CROP DEFLECT. W/A (XRS)	1				
OR	196256 36B	SPARES XRS36 CROP DEF. ASSY, INC ITEMS 6,8,11,25 & 31					
12							
13	199191 01	BRUSH (2672mm) (UPTO 2019)	2				
OR	BRS-10000	BRUSH (3m) CUT & DRILL TO FIT					
14	199192 01	BRUSH (2700mm) (UPTO 2019)	2				
OR	BRS-10000	BRUSH (3m) CUT & DRILL TO FIT					
15	WSH-0018	PLAIN WASHER	10				
16	CIR-1150	EXTERNAL CIRCLIP	2				
17	HSSA06290	SETSCREW	1				
18	BSHK03047	BUSH	4				
19	HSS-0140	SETSCREW	2				
20	BLT-3800	COACH BOLT (2018 & ON)	2				
OR	HSS-0250	SETSCREW (UPTO 2018)	2				
21	BLTA12410	BOLT	2				
22	NUT-0260	NYLOC NUT	1				
23	NUT-0269	NYLOC NUT	2				
24	PIN-1150	SPLIT PIN	2				
25	POP-0006	POP RIVET	70				
26	WSH-0009	PLAIN WASHER	6				
27	WSH-0058	SPRING WASHER	2				
28	WSH-0065	SPRING WASHER	2				
29	WSH-1547	PLAIN WASHER	2				

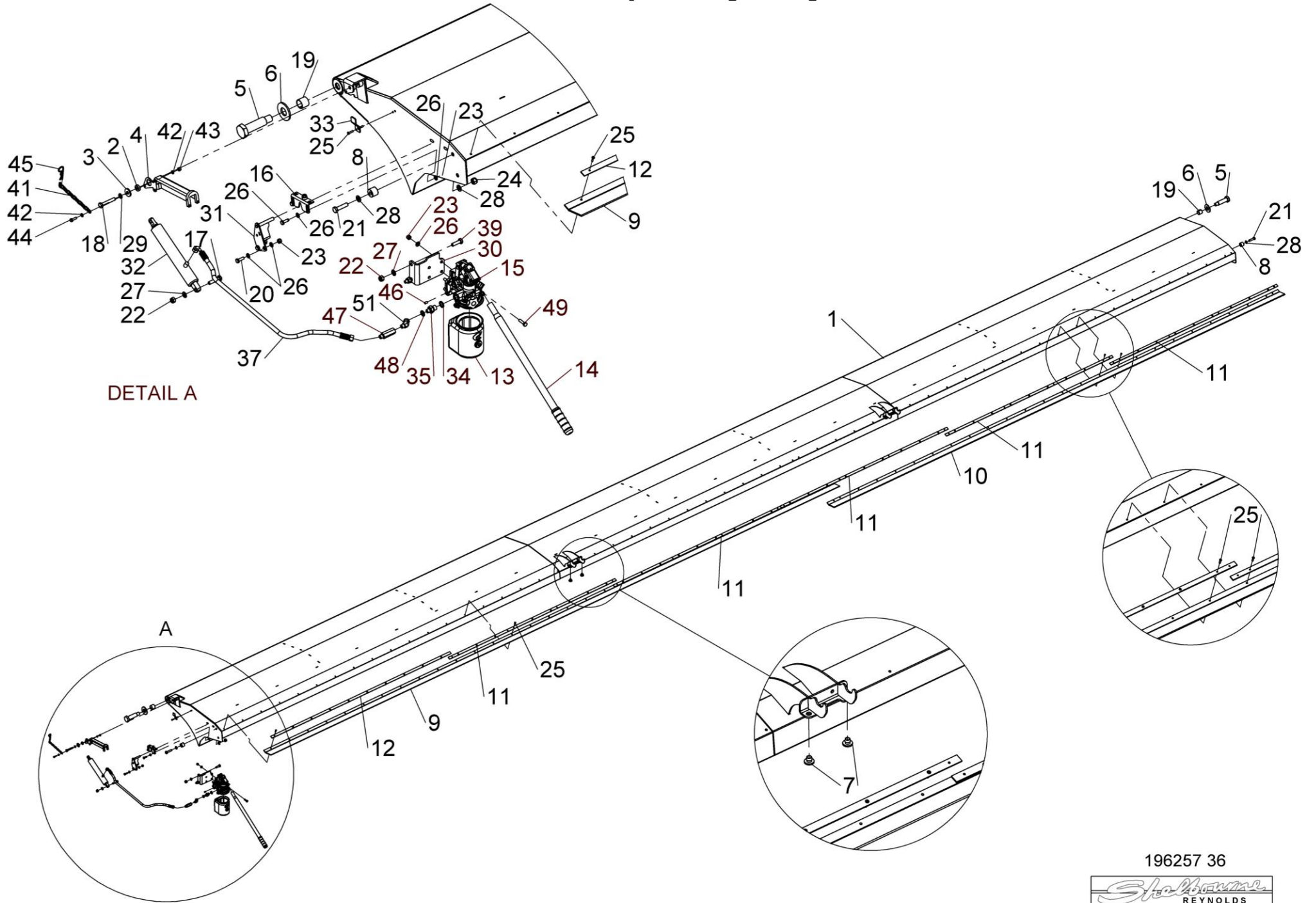


196256 36
196256 32



Shelbourne Reynolds Engineering Limited

ASSY NUMBER: 196257 36				ASSY DESCRIPTION: EXCEL 36 HOOD SUB ASSY			
ITEM	PART NO	DESCRIPTION	QTY	ITEM	PART NO	DESCRIPTION	QTY
1	199880 01	36' HOOD W/A (XCV/XCS)	1	29	WSH-0061	SPRING WASHER	1
OR	199880 01K	SPARES HOOD ASSY, INC ITEMS 1, 7, 8, 9, 10, 11, 12, 21, 24, 25, 28 & 33		30	199829 01	HAND PUMP BRACKET (2015 & ON)	1
1	199880 02	36' HOOD W/A (XRS)	1	OR	198595 01	HAND PUMP BRACKET (UP TO 2015)	1
OR	199880 02K	SPARES HOOD ASSY, INC ITEMS 1, 7, 8, 9, 10, 11, 12, 21, 24, 25, 28 & 33		31	198608 01	SLAM LATCH BRKT W/A (UPTO 2017)	1
2	190119 79	WASHER	1	32	197601 01	HYDRAULIC CYLINDER	1
3	190119 75	WASHER	1	32a	RMSK00030	RAM SEAL KIT	
4	198311 01	RAM STOP W/A	1	33	290373 01	HOOK (2017 & ON)	1
5	192812 01	HOOD PIVOT PIN	2	34	WSH-1010	DOWTY WASHER	1
6	192813 01	LARGE WASHER	2	35	FIT-0025	M/M ADAPTOR (2015&ON)	1
7	197810 01	BUMP STOP	4	OR	HAPAA0305	RESTRICTOR FIT M/M (UP TO 2015)	1
8	198604 01	NYLON BUSH	2	36	HALAA0303	ELBOW (M/F) (UP TO 2015)	1
9	199109 01	REAR RUBBER SEAL (LONG LH)	1	37	HHBC08805	HYD HOSE ASSY (2018 & ON)	1
10	199060 01	REAR RUBBER SEAL (SHORT RH)	1	OR	HHBC09605	HYD HOSE ASSY (UPTO 2018)	1
11	198539 01	CLAMP STRIP (1780mm)	5	38			
12	199061 01	CLAMP STRIP (1912mm)	1	39	HSS-0198	SETSCREW	2
13	JAC-00222	PLASTIC HYD TANK (2015 & ON)	1	40			
OR	JAC-00221	HYD RESEVOIR TANK (UP TO 2015)	1	41	CHN-0145	CHAIN (UP TO 2018)	0.17m
14	JAC-00230	HYD PUMP HANDLE	1	42	WSH-0009	PLAIN WASHER (UP TO 2018)	2
15	JAC-00228	HYD HAND PUMP (X**36234665 & ON)	1	43	NUT-0260	NYLOC NUT (UP TO 2018)	1
OR	JAC-00227	HYD HAND PUMP (2015-X**36234650)	1	44	HSS-0086	SETSCREW (UP TO 2018)	1
OR	JAC-00226	HYD HAND PUMP (UP TO 2015)	1	45	CLP-00103	R CLIP (UP TO 2018)	1
15a	FITE00107	FILLER CAP		46	SCW-4530	GRUB SCREW	1
15b	HPS-01520	SEAL KIT FOR JAC-00228 & JAC-00227		47	HVB-93000	FLOW RESTRICTOR (2015 & ON)	1
15b	HPS-01510	SEAL KIT FOR JAC-00227		48	WSH-1005	DOWTY WASHER (1/4") (2015 & ON)	1
15b	HPS-01500	SEAL KIT FOR JAC-00226		49	HSS-0150	BOLT (2015 & ON)	4
16	LTC-00040	SLAM LATCH (UPTO 2017)	1	51	HASAA0303	ELBOW (45°) (2018 & ON)	1
17	BLTA10290	HEX HEAD BOLT	1				
18	BLTA10350	HEX HEAD BOLT	1				
19	BSHK03056	BUSH	2				
20	HSS-0145	SETSCREW (UPTO 2017)	5				
21	HSS-0260	SETSCREW	2				
22	NUT-0265	NYLOC NUT	3				
23	NUT-0263	NYLOC NUT	9				
24	NUT-0269	NYLOC NUT	2				
25	POP-0006	POP RIVET	59				
26	WSH-0012	PLAIN WASHER	14				
27	WSH-0015	PLAIN WASHER	3				
28	WSH-0018	PLAIN WASHER	4				



DETAIL A

A

196257 36



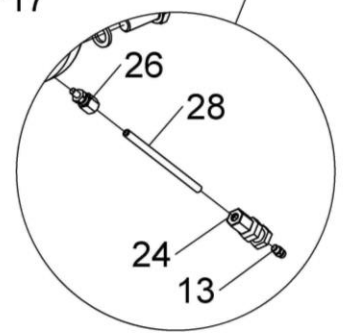
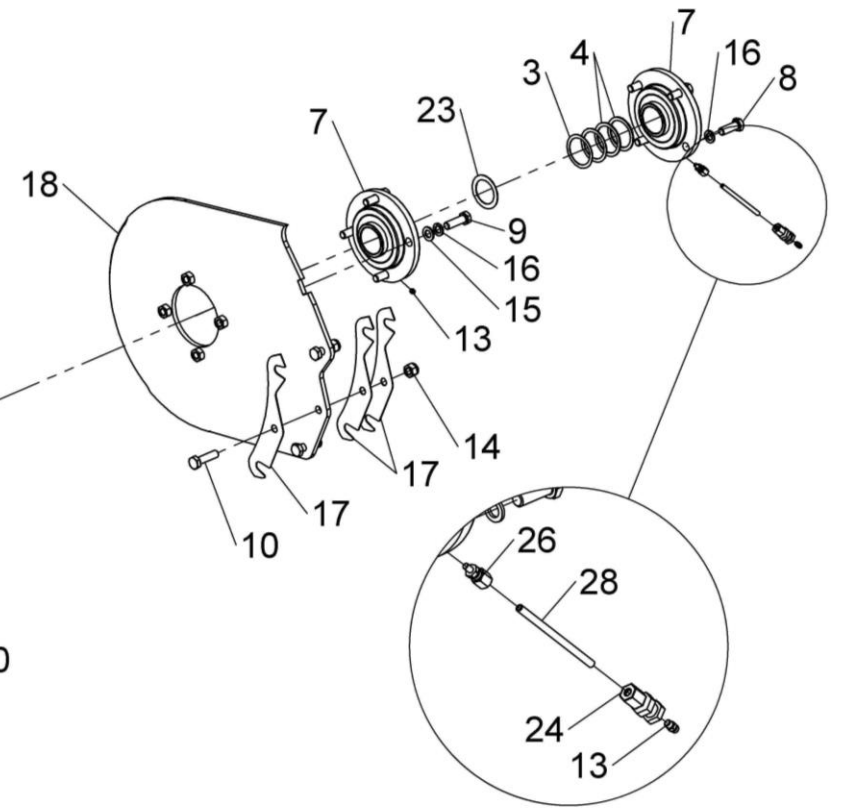
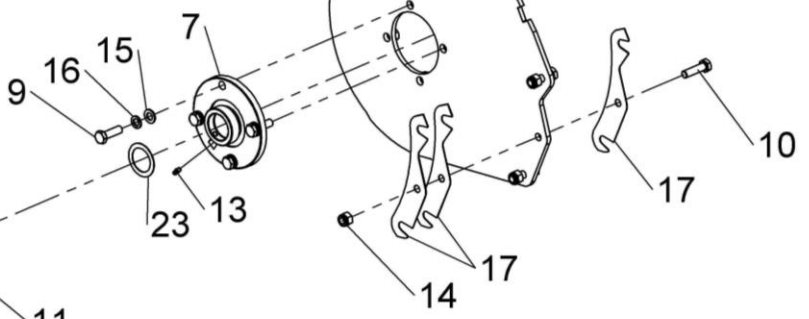
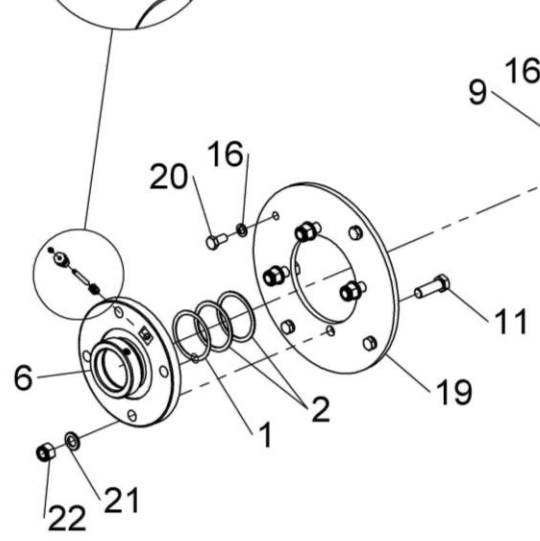
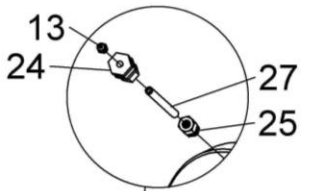
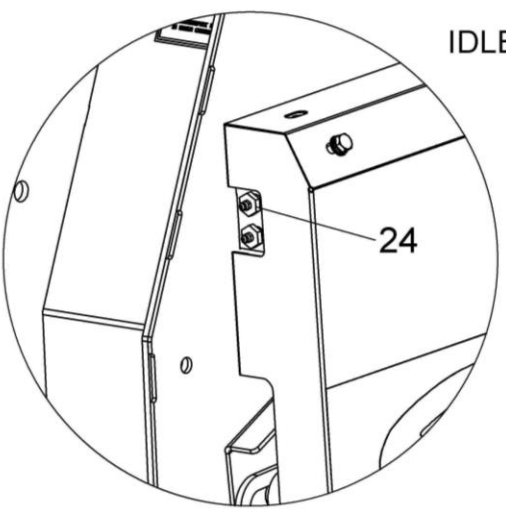
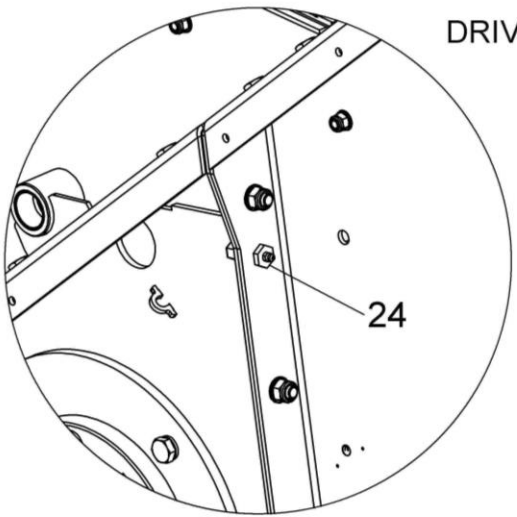
Shelbourne Reynolds Engineering Limited

ASSY NUMBER: 196258 01				ASSY DESCRIPTION: ROTOR MTG SUB			
ITEM	PART NO	DESCRIPTION	QTY	ITEM	PART NO	DESCRIPTION	QTY
1	190548 73	SHIM (1mm)	1				
2	190548 74	SHIM (2mm)	2				
3	192876 01	SHIM (1mm)	2				
4	192876 02	SHIM (2mm)	2				
5	199181 01	LH BEARING MTG PLT XCV/XCS	1				
OR	291811 01	LH BEARING MTG PLT XRS	1				
OR	291708 01	LH BEARING MTG PLT KNOCKOUT	1				
6	BRG-27040	BEARING	1				
7	BRG-3275	BEARING	3				
8	HSS-0241	SETSCREW	4				
9	HSS-0250	SETSCREW	8				
10	BLTA12290	HEX HD BOLT	6				
11	HSS-0318	SETSCREW (2013 & ON)	4				
OR	HSS-0316	SETSCREW (UPTO 2013)	4				
12							
13	NIP-00600	GREASE NIPPLE	4				
14	NUTA07120	AERO TIGHT NUT	6				
15	WSH-0018	PLAIN WASHER	8				
16	WSH-0065	SPRING WASHER	16				
17	198951 01	SHIM	6				
18	199181 02	RH BEARING MTG PLT XCV/XCS	1				
OR	291811 02	RH BEARING MTG PLT XRS	1				
OR	291708 02	RH BEARING MTG PLT KNOCKOUT	1				
19	198122 01	BEARING MTG PLATE (2013 & ON)	1				
20	HSS-0235	SETSCREW (2013 & ON)	4				
21	WSH-0070	SPRING WASHER (2021 & ON)	4				
OR	WSH-0024	WASHER (2013-2020)	4				
22	NUT-0271	NYLOC NUT (UPTO 2021)	4				
23	194128 03	SHIM (1mm)	A/R				
24	LUB-00052	BULKHEAD (2017 & ON)	2				
25	LUB-00045	STRAIGHT ADAPT (2017&ON)	1				
OR	NIP-0001	GREASE NIPPLE (UPTO2017)	1				
26	LUB-00046	STRAIGHT ADAPTOR (2017&ON)	1				
27	LUB-00044	GREASE TUBE (2017 & ON)	0.35m				
28	LUB-00044	GREASE TUBE (2017 & ON)	1.25m				

Shelbourne Reynolds Engineering Limited

DRIVE END

IDLE END



196258 01
196258 02

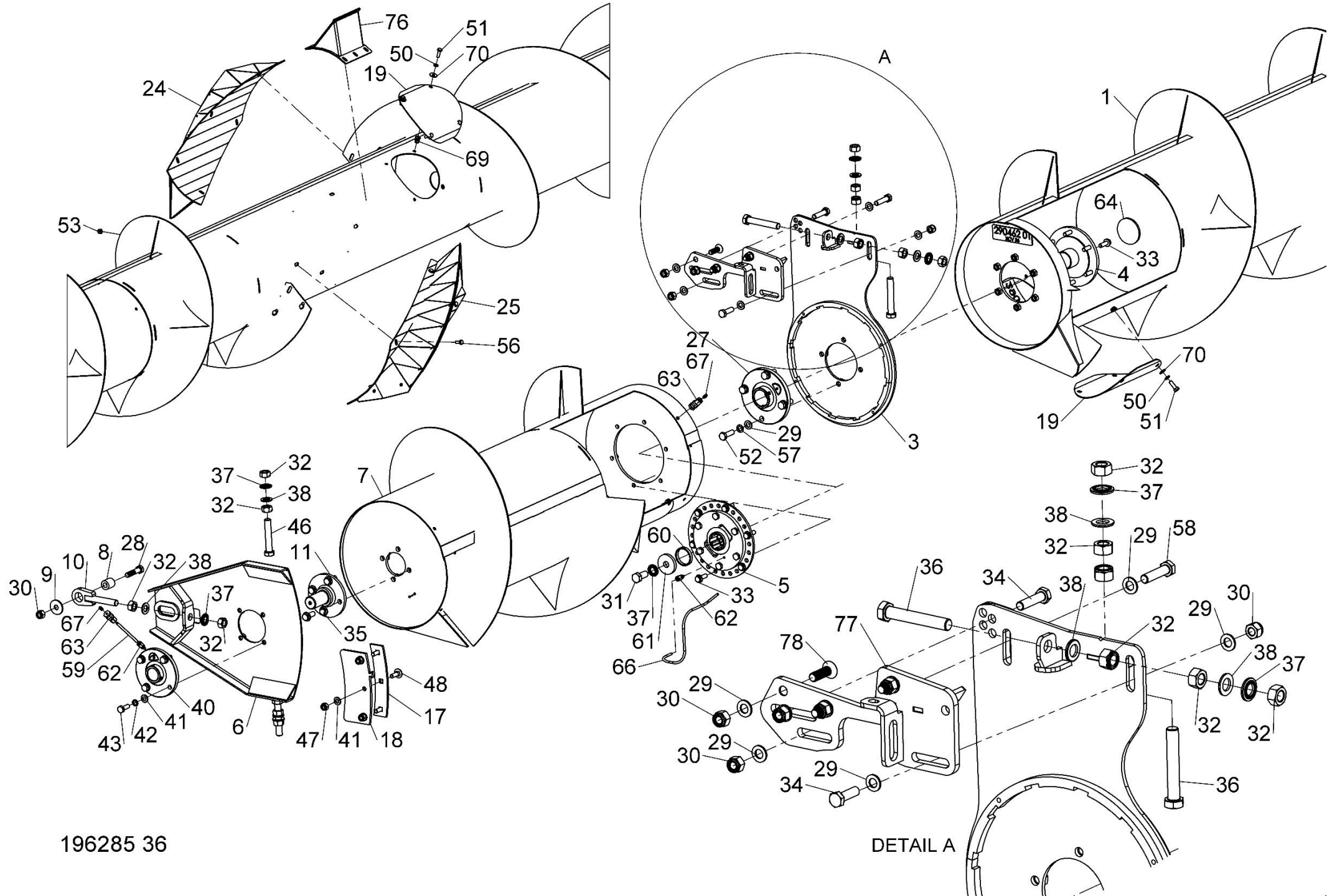


Shelbourne Reynolds Engineering Limited

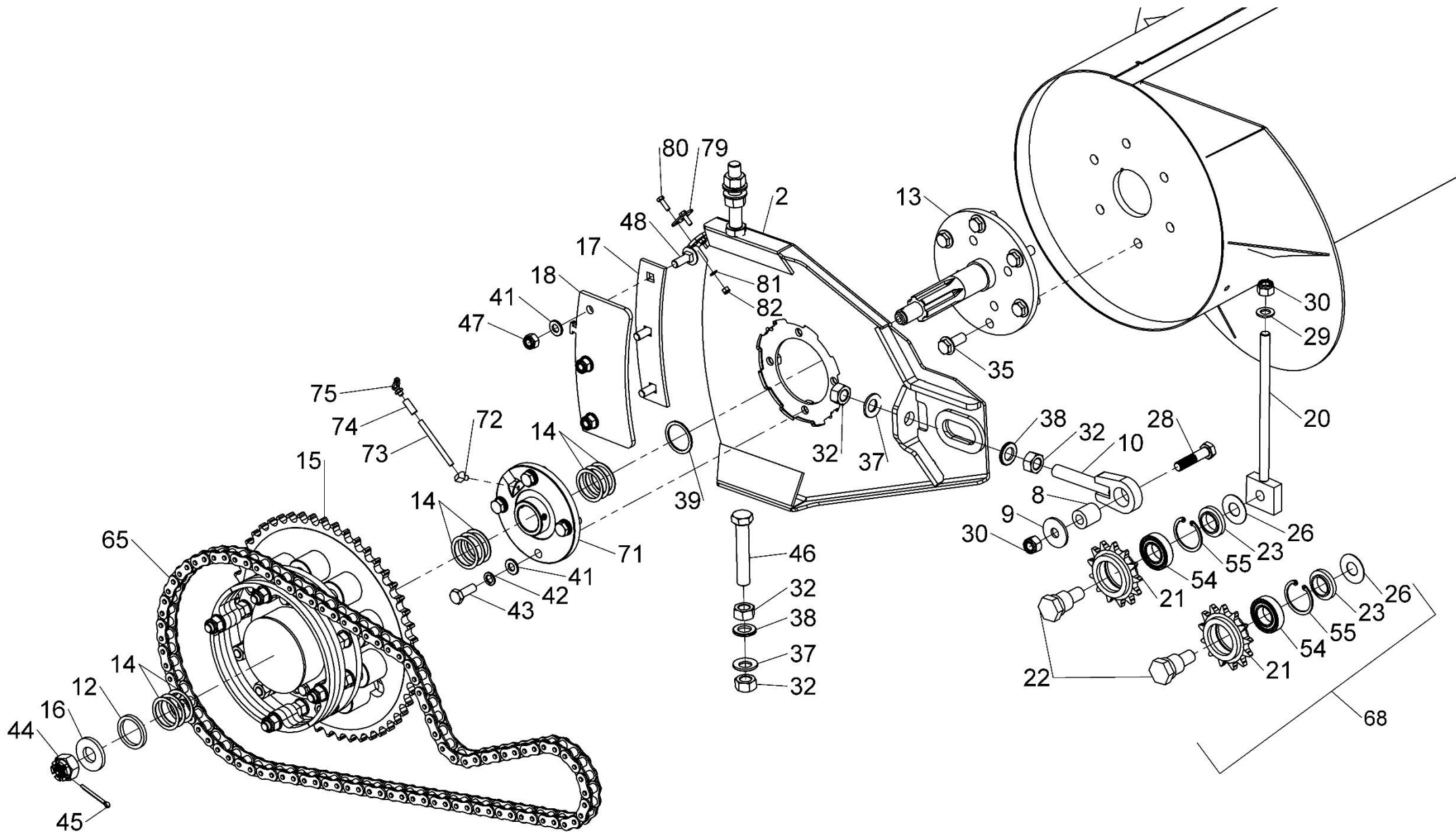
ASSY NUMBER: 196285 36				ASSY DESCRIPTION: EXCEL 36 OFFSET AUGER SUB ASSY			
ITEM	PART NO	DESCRIPTION	QTY	ITEM	PART NO	DESCRIPTION	QTY
1	293520 01	DRIVE END AUGER W/A (XCV/XCS)	1	31	HSS-0315	SETSCREW	1
2	290353 01	ADJUSTER PLATE LH	1	32	NUT-0180	PLAIN NUT	18
3	290441 01	CTR AUGER MTG PLT	1	33	HSSG10204	TENSILOCK SETSCREW	12
4	290374 01	AUGER CTR DRV SHAFT	1	34	BLTA12260	HEX HEAD BOLT	2
5	KIT-19040	BALL COUPLING KIT	1	35	HSSF12204	TENSILOCK SETSCREW	10
		SEE KIT-19040 PAGE		36	HSSA16564	SETSCREW	2
		FOR PARTS BREAKDOWN		37	WSHA30161	LOCK WASHER	11
6	290368 01	ADJUSTER PLATE RH	1	38	WSH-0024	PLAIN WASHER	8
7	293512 01	IDLE END AUGER W/A (XCV/XCS)	1	39	190119 74	WASHER	6
8	290363 01	SPACER 27mm	2	40	BRG-23560	BEARING (2025 & ON)	1
9	190119 26	WASHER	2	OR	BRG-23560	BEARING (UP TO 2025)	2
10	290360 01	ADJUSTER W/A	2	41	WSH-0015	PLAIN WASHER	16
11	197704 02	IDLER SHAFT	1	42	WSH-0061	SPRING WASHER	8
12	190119 82	WASHER	3	43	HSS-0194	SETSCREW	9
13	195848 01	AUGER DRIVE SHAFT	1	44	NUT-0580	CASTLE NUT	1
14	190119 95	WASHER	3	45	PIN-1150	SPLIT PIN	1
15	KIT-00125	AUGER DRIVE CLUTCH (2025 & ON)	1	46	HSS-0330	SETSCREW	4
		SEE KIT-00125 PAGE		47	NUT-0265	NYLOC NUT	7
		FOR PARTS BREAKDOWN		48	BLT-3750	COACH BOLT	6
OR	KIT-00123	AUGER DRIVE CLUTCH (UPTO 2025)	1	49	WSH-0012	PLAIN WASHER	40
		SEE KIT-00123 PAGE		50	WSH-0058	SPRING WASHER	20
		FOR PARTS BREAKDOWN		51	HSS-0145	SETSCREW	10
16	290655 01	SHOULDERED WASHER	1	52	HSS-0250	SETSCREW	4
17	200407 01	SUPPORT PLATE	2	53	NUT-0263	NYLOC NUT	10
18	200408 01	OVERLAP PLATE	2	54	BRG-1995	BEARING	2
19	292861 01	AUGER COVER PLATE (2025 & ON)	4	55	CIR-0470	CIRCLIP INT	2
OR	290590 01	AUGER COVER PLATE (UP TO 2025)	4	56	HSS-0140	SETSCREW	20
		FOR SPARES CAN SUPPLY 292861 01		57	WSH-0065	SPRING WASHER	4
		PLUS 4 x WSH-1038	4	58	BLTA12320	HEX HEAD BOLT	2
20	290164 01	IDLER ADJ SCREW	1	59	LUB-00044	GREASE PIPE	0.35m
21	131041 01	JOCKEY SPKT	2	60	198800 64	WASHER	1
22	190060 11	AUGER IDLE SPINDLE	2	61	190548 90	WASHER	1
23	191040 01	SPACER	2	62	LUB-00046	STRAIGHT ADAPTOR (2019 & ON)	2
24	197620 01R	AUGER PADDLE LH	1	OR	LUB-00046	STRAIGHT ADAPTOR (UP TO 2019)	1
25	197620 02R	AUGER PADDLE RH	1	63	LUB-00052	BULKHEAD (2019 & ON)	2
26	190548 04	WASHER	A/R	OR	LUB-00052	BULKHEAD (UP TO 2019)	1
27	BRG-24505	BEARING	1	64	21709036	TUBE PLUG	4
28	BLTA12380	HEX HEAD BOLT	2	65	CHN-01991A	CHAIN (99 LINKS c/w JOINER)	1
29	WSH-0018	PLAIN WASHER	15	65a	CHN-01910A	CHAIN HALF LINK	
30	NUT-0269	NYLOC NUT	10	65b	CHN-01901A	JOINING LINK	

Shelbourne Reynolds Engineering Limited

ASSY NUMBER: 196285 36				ASSY DESCRIPTION: EXCEL 36 OFFSET AUGER SUB ASSY			
ITEM	PART NO	DESCRIPTION	QTY	ITEM	PART NO	DESCRIPTION	QTY
66	LUB-00044	GREASE PIPE (2019 & ON)	0.2				
67	NIP-00600	GREASE NIPPLE	2				
68	KIT-00112	SPARES IDLER SPROCKET ASSY KIT INC ITEMS 21,22,23,26,54 & 55					
69	NUTA13080	NUTSERT (2025 & ON)	16				
70	WSH-1038	PENNY WASHER (2025 & ON)	16				
71	293027 01	BEARING (2025 & ON)	1				
72	293028 01	GREASE ADAPTER 35° (2025 & ON)	1				
73	193077 04	GREASE PIPE (2025 & ON)	1				
74	193078 01	GREASE ADAPTER (2025 & ON)	1				
75	NIP-00610	GREASE NIPPLE (2025 & ON)	1				
76	292575 01	FLAT PADDLE W/A USE WHEN AUGER PADDLES (ITEMS 24 & 25) ARE WIDELY SPACED	2				
77	290581 01	BOLT IN AUGER MOUNT BRACKET	A/R				
78	SCEA12269	CSK SKT SCREW	3				
79	293626 01	PIPE RETAINER (2025 & ON)	1				
80	HSS-0058	SETSCREW (2025 & ON)	2				
81	WSH-0006	PLAIN WASHER (2025 & ON)	2				
82	NUT-0258	NYLOC NUT (2025 & ON)	2				

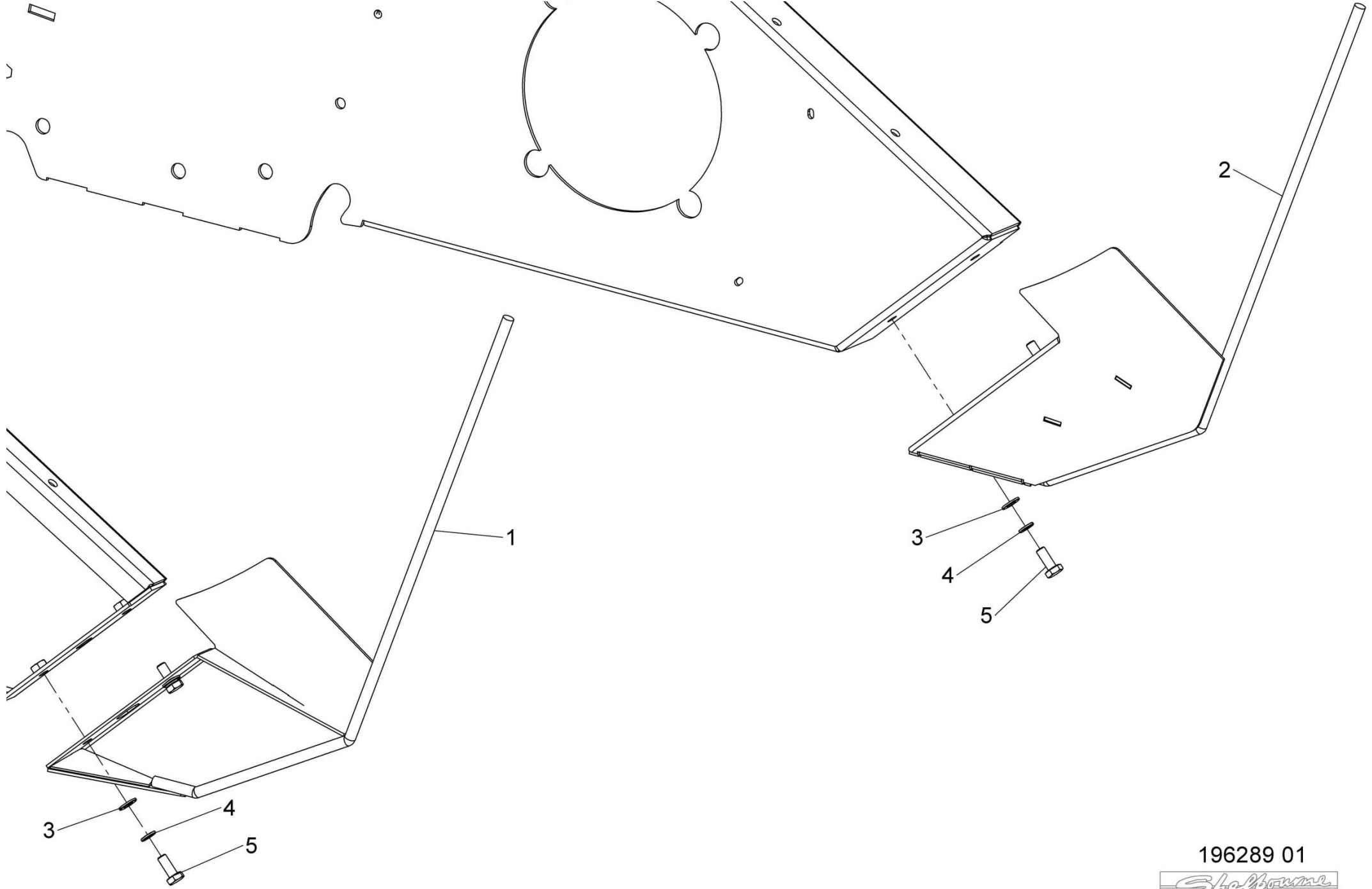


196285 36



Shelbourne Reynolds Engineering Limited

ASSY NUMBER: 196289 01				ASSY DESCRIPTION: DIVIDER SUB ASSY			
ITEM	PART NO	DESCRIPTION	QTY	ITEM	PART NO	DESCRIPTION	QTY
1	194501 02	RH DIVIDER W/A	1				
2	290480 01	LH DIVIDER W/A	1				
3	WSH-0015	PLAIN WASHER	4				
4	WSH-0061	SPRING WASHER	4				
5	HSS-0191	SET SCREW	4				



196289 01



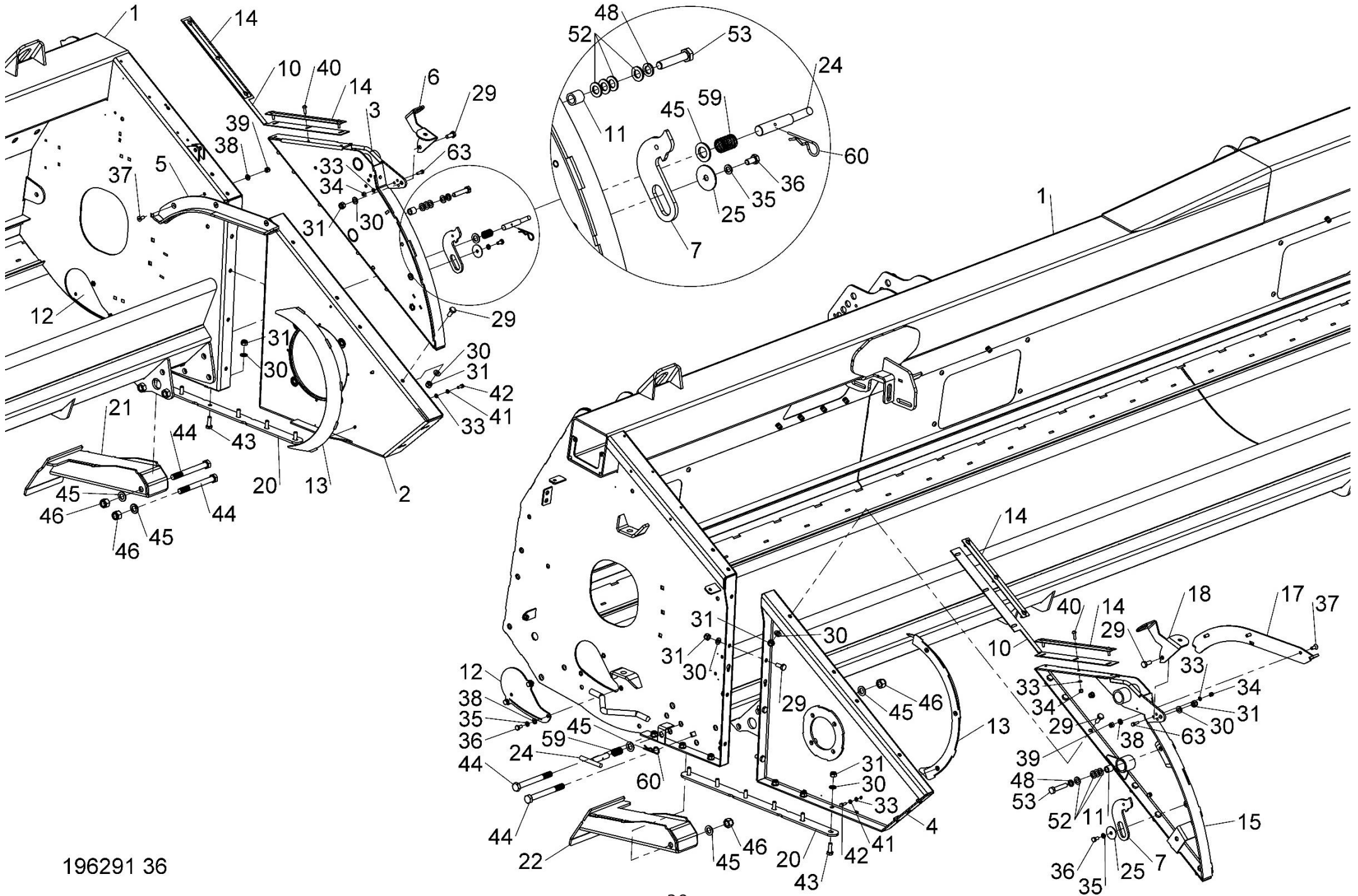
Shelbourne Reynolds Engineering Limited

ASSY NUMBER: 196291 36				ASSY DESCRIPTION: FRAME & PARTS SUB (EXCEL 36)			
ITEM	PART NO	DESCRIPTION	QTY	ITEM	PART NO	DESCRIPTION	QTY
1	290555 01	36' MAINFRAME W/A (XCV/XCS)	1	38	WSH-0012	PLAIN WASHER	72
OR	290980 01	36' MAINFRAME W/A (XRS)		39	NUT-0263	NYLOC NUT	44
2	290384 01	LH ROTOR MOUNT W/A	1	40	SCW-4960	BUTTON HD SCREW	12
3	290125 01	TOP SIDE PLT LH	1	41	WSH-0056	SPRING WASHER	6
4	290386 01	RH ROTOR MOUNT W/A	1	42	HSS-0084	HEX HD BOLT	6
5	198485 01	NOSE RUNNER W/A	1	43	HSS-0194	HEX HD BOLT	20
6	198958 01	LH LIGHT BRACKET	1	44	BLTA16710	HEX HD BOLT	2
7	290383 01	CROP DEF LOCK	2	45	WSH-0024	PLAIN WASHER	4
8	199935 01	LH TOP CENTRE PLT	1	46	NUT-0271	NYLOC NUT	2
9	199935 02	RH TOP CENTRE PLT	1	47	HSS-0145	HEX HD BOLT	18
10	194000 01	RUBBER SEAL STRIP	2	48	WSH-0065	SPRING WASHER	2
11	198811 02	SPACER	2	49	WSH-0061	SPRING WASHER	7
12	292939 01	COVER PLATE (2025 & ON)	2	50	193248 01	RETAINING ROD	2
OR	195844 01	COVER PLATE (UP TO 2025)	2	51	NUT-0269	NYLOC NUT	5
13	193363 01	ROTOR DEFLECTOR	2	52	WSH-0018	PLAIN WASHER	18
14	199567 01	CLAMP STRIP	4	53	BLTA12380	HEX HD BOLT	4
15	290125 02	TOP SIDE PLT RH	1	54	193244 01	HANDLE W/A	2
16	199660 01	JOINING PLATE	2	55	193251 01	RETAINING BAR	2
17	198485 02	NOSE RUNNER W/A	1	56	POP-0006	POP RIVET	12
18	198958 02	RH LIGHT BRACKET	1	57	WSH-1038	PENNY WASHER	8
19	NUTA13080	NUTSERT	48	58	HSS-0140	HEX HD BOLT	18
20	198709 01	SIDE PLATE JOINER STRIP	2	59	SPGC22015	COMPRESSION SPRING	2
21	199626 01	STAND	1	60	CLP-00103	R CLIP	2
22	199626 02	STAND	1	61	BPG-00200	BODY PLUG	1
23	290372 01	SPILL PLATE (XCV/XCS ONLY)	2	62	NUTA13087	NUTSERT	12
24	198720 01	LEG LOCKING PIN	2	63	HSS-0086	SETSCREW	2
25	190119 05	WASHER	2	64	290588 01	COVER PLATE	1
26	199681 01	SCRAPER (321mm)	2	65	291700 01	TAPERED SPILL PLATE (XCV/XCS)	4
OR	290390 01	SCRAPER (112mm)	2	66	291985 01	FILL IN PLATE (2023 & ON)	2
27	198957 01	FORK LIFT SHOE	1	67	BLT-4710	COACH BOLT (2023 & ON)	4
28	195126 01	FORK LIFT SHOE	1	68	291849 02	DEFLECTOR GUARD (2021 & ON)	2
29	HSS-0191	HEX HD BOLT	22	69	292876 01	FRONT SHOE BRACKET W/A (XRS)	2
30	WSH-0015	PLAIN WASHER	43	70	HSS-0155	SETSCREW	6
31	NUT-0265	NYLOC NUT	35	71			
32	HSSF08174	TENSILOCK SETSCREW	36	72	292890 01	CAPPING PLATE	12
33	WSH-0009	PLAIN WASHER	20	73	BPG-00140	RUBBER PLUG (XCS & XRS ONLY)	2
34	NUT-0260	NYLOC NUT	14	74			
35	WSH-0058	SPRING WASHER	44	75	292887 01	COVER PLATE (2025 & ON)	6
36	HSS-0135	HEX HD BOLT	8	76	SCBA08172	BUTT SOC HD (2025 & ON)	24
37	SCW-1735	CSK SOCKET HD SCREW	16	77	292706 01	LH STEP W/A (2025 & ON)	1

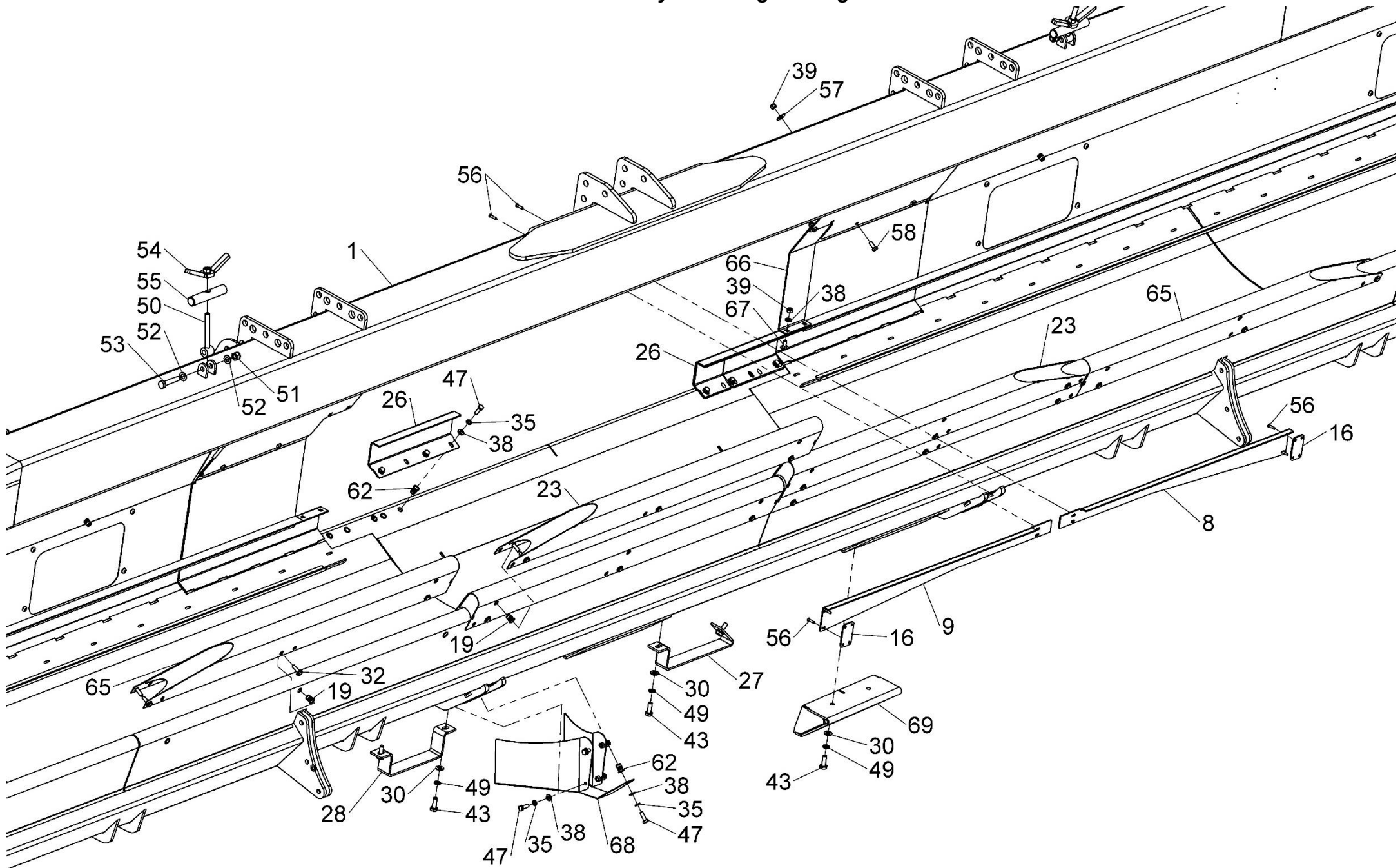
Shelbourne Reynolds Engineering Limited

ASSY NUMBER: 196291 36				ASSY DESCRIPTION: FRAME & PARTS SUB (EXCEL 36)			
ITEM	PART NO	DESCRIPTION	QTY	ITEM	PART NO	DESCRIPTION	QTY
78	292697 01	RH STEP W/A (2025 & ON)	1				
79	HSS-0241	SETSCREW	2				
80	HSS-0250	SETSCREW	1				
81	292773 01	STRAP (2025 & ON)	1				
82	HSS-0150	SETSCREW	2				
	290366 01	FLOOR REPAIR SHEET 3m (10')	2				
	290366 02	FLOOR REPAIR SHEET 2.4m (8')	2				

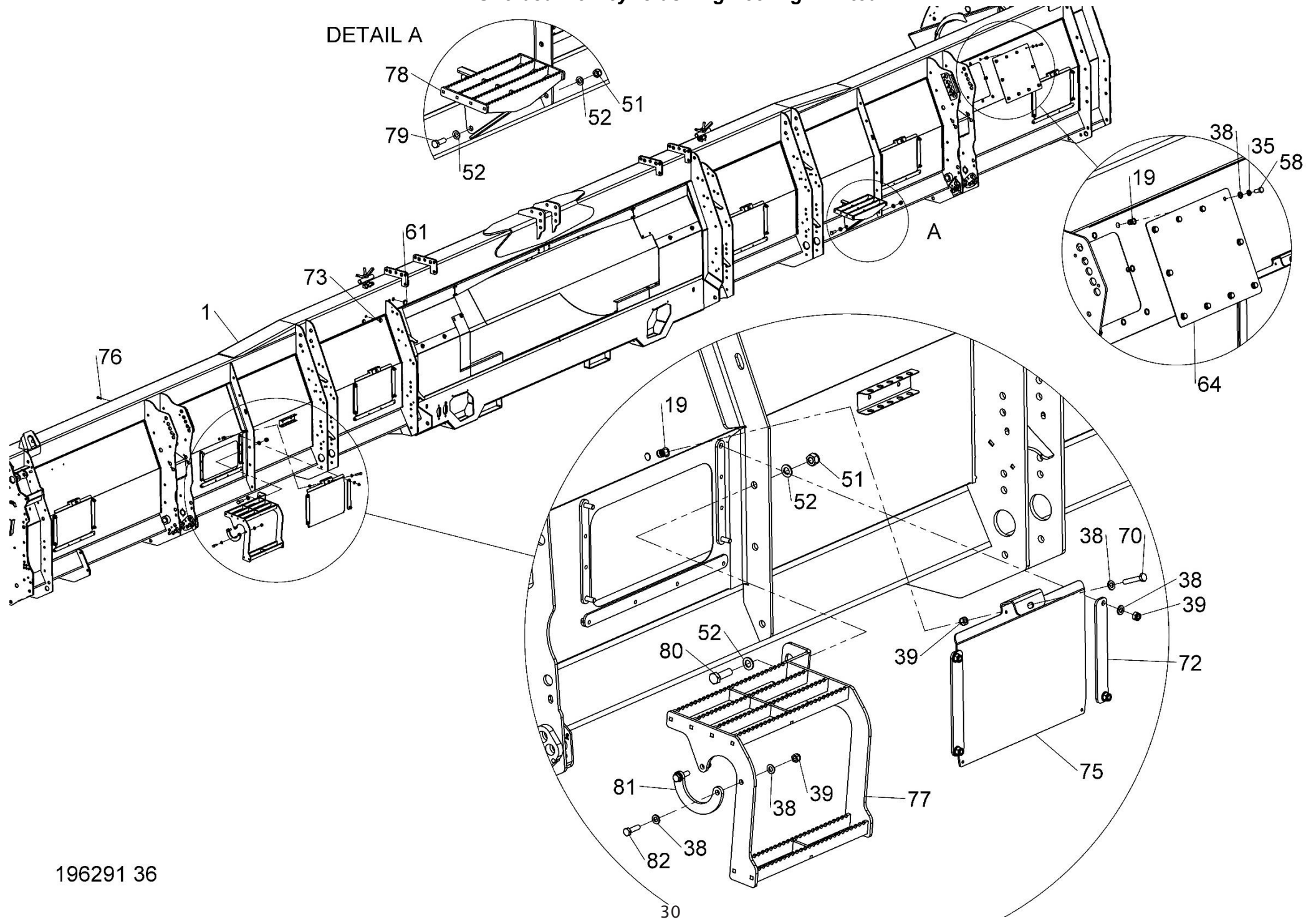
Shelbourne Reynolds Engineering Limited



196291 36

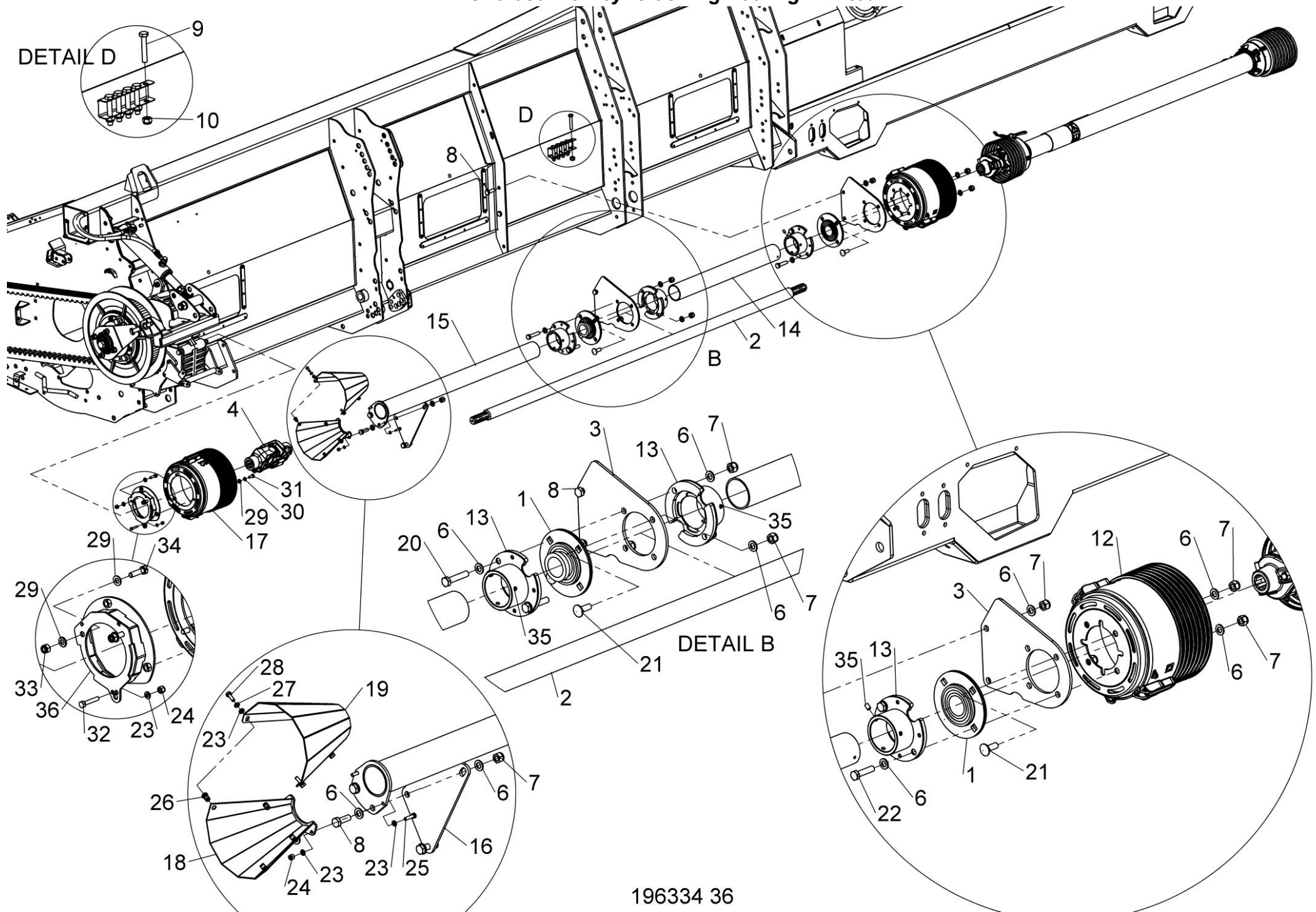


Shelbourne Reynolds Engineering Limited



Shelbourne Reynolds Engineering Limited

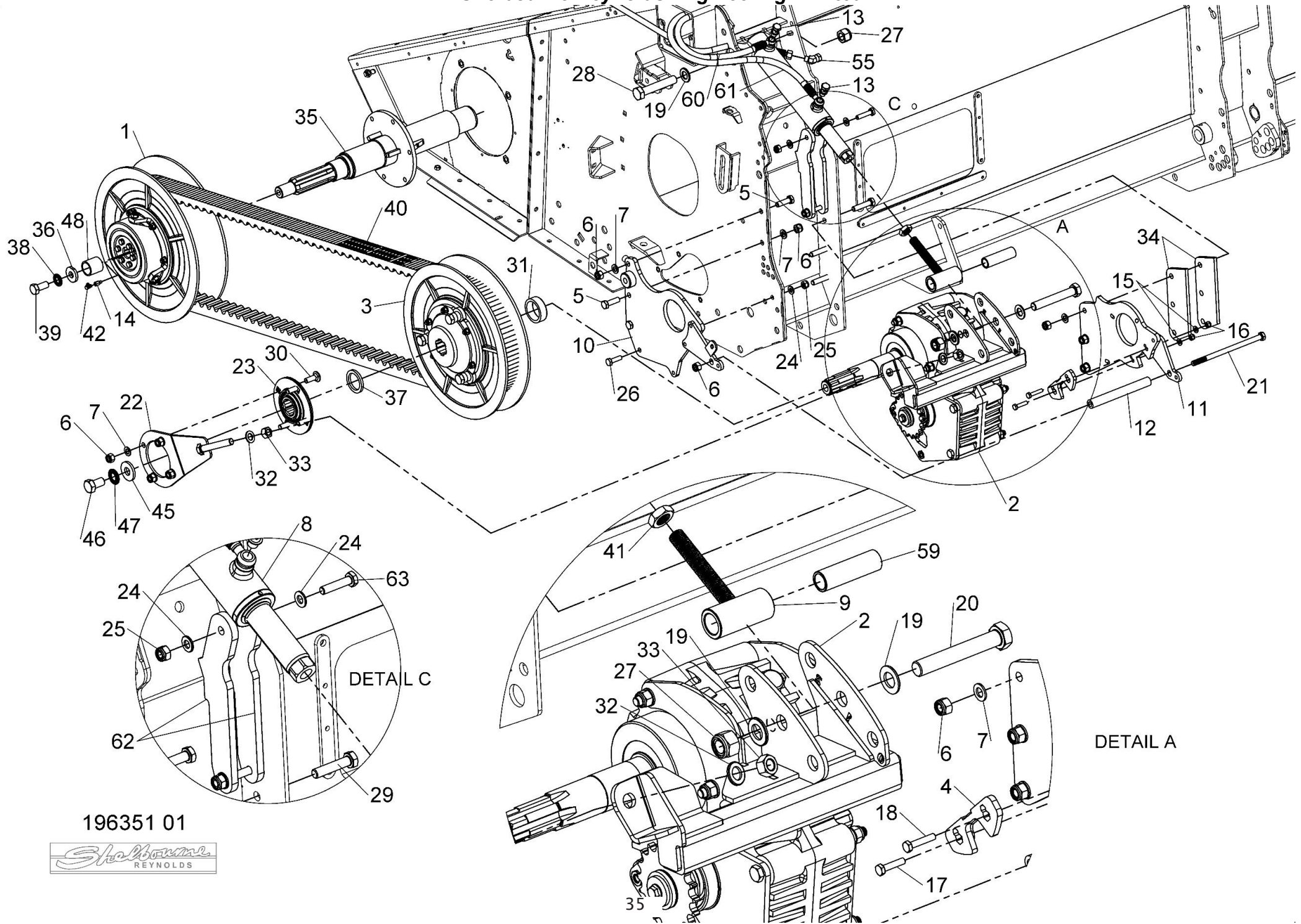
ASSY NUMBER: 196334 36				ASSY DESCRIPTION: REAR DRIVE SHAFT SUB ASSY(36') (2025 & ON)			
ITEM	PART NO	DESCRIPTION	QTY	ITEM	PART NO	DESCRIPTION	QTY
1	BRG-24500	BEARING	2				13
2	192982 16	DRIVE SHAFT	1				
3	292941 01	SHAFT SUPPORT BRKT	2				
4	PTO-24000WE	PTO COUPLING	1				
5							
6	WSH-0018	PLAIN WASHER	22				
7	NUT-0269	NYLOC NUT	16				
8	HSS-0241	SETSCREW	8				
9	BLTA10384	SHEAR BOLT	5				
10	NUT-0265	NYLOC NUT	5				
11							
12	PTO-00975	PTO CONE	1				
13	292901 01	GUARD SUPPORT W/A	3				
14	292902 02	INNER DRIVER SHAFT GUARD	1				
15	292931 01	DRIVE SHAFT GUARD W/A	1				
16	292172 01	MOUNTING BRKT	1				
17	290626 01	PTO CONE	1				
18	292159 01	PTO CONE W/A	1				
19	292903 01	PTO CONE	1				
20	BLTA12380	BOLT	2				
21	BLTF12233	COACHBOLT	4				
22	HSS-0260	SETSCREW	2				
23	WSH-0009	WASHER	9				
24	NUT-0260	NUT	3				
25	HSS-0088	SETSCREW	2				
26	NUTA13060	NUTSERT	4				
27	WSH-0056	WASHER	4				
28	HSS-0086	SETSCREW	4				
29	WSH-0012	WASHER	7				
30	WSH-0058	WASHER	3				
31	HSS-0140	SETSCREW	3				
32	HSS-0096	SETSCREW	1				
33	NUT-0263	NUT	2				
34	HSS-0150	SETSCREW	2				
35	SCW-4540	GRUB SCREW	9				
36	292899 01	PTO CONE MTG W/A	1				



Shelbourne Reynolds Engineering Limited

ASSY NUMBER: 196351 01				ASSY DESCRIPTION: HYD VS DRIVE SUB ASSY (XCV)			
ITEM	PART NO	DESCRIPTION	QTY	ITEM	PART NO	DESCRIPTION	QTY
1	KIT-01445A	ROTOR PULLEY ASSY (2022 & ON) SEE KIT-01445A PAGE FOR PARTS BREAKDOWN	1	32	WSH-0024	WASHER	2
2	GEA-0069	INPUT GEARBOX ASSY SEE GEA-0069 PAGE FOR PARTS BREAKDOWN	1	33	NUT-0180	NUT	2
3	KIT-01465	REAR PULLEY ASSY SEE KIT-01465 PAGE FOR PARTS BREAKDOWN	1	34	198548 01	PACKER PLATE	2
4	198322 01	OIL LEVEL VIEWER	1	35	291704 01	DRIVE SHAFT W/A	1
5	HSS-0250	SETSCREW	3	36	198800 48	WASHER	1
6	NUT-0269	NYLOC NUT	11	37	198800 76	WASHER	1
7	WSH-0018	PLAIN WASHER	13	38	WSHA30161	LOCKWASHER	1
8	RAM-0037	HYDRAULIC CYLINDER	1	39	HSS-0315	SETSCREW	1
9	293530 01	THREADED ADJUSTER W/A (2025 & ON)	1	40	BEL-27360C	VARI SPEED BELT	1
OR	293234 01	THREADED ADJUSTER W/A (2024 ONLY)	1	41	NUT-0385	HALF NUT	1
10	293290 01	GEARBOX PIVOT PLATE W/A	1	42	NIP-00605	GREASE NIPPLE (90 DEG)	1
11	293293 01	GEARBOX PIVOT PLATE W/A	1	43	HATAA0303	BULKHEAD ELBOW	2
12	293294 01	TIE BAR	1	44	HVB-29015	HYD VS VALVE	1
13	HFAW50003	BANJO BOLT	2	45	292600 01	WASHER	1
14	LUB-00057	M6 GREASE NIPPLE EXTENSION	1	46	HSSD20230	SETSCREW	1
15	WSH-0012	PLAIN WASHER	4	47	WSHA30201	WASHER	1
16	NUT-0263	NYLOC NUT	4	48	197368 01	DUMMY SPACER	1
17	HSS-0152	SETSCREW	1	49	293448 01	VALVE BRACKET	1
18	HSS-0153	SETSCREW	1	50	HSS-0238	SETSCREW	2
19	WSH-0030	WASHER	3	51	NUT-0270	NYLOC NUT	2
20	BLTA20654	BOLT	1	52	HSSA08350	SETSCREW	2
21	BLTA12860	BOLT	1	53	HHCC06505	HYD HOSE ASSY	1
22	293368 01	TIE ROD W/A	1	54	HHCC06005	HYD HOSE ASSY	1
23	BRG-43000	SUPPORT	1	55	HASAA0303	COMPACT FITTING	1
24	WSH-0015	PLAIN WASHER	5	56	HMA-0052	HYD ADAPTOR M/M	3
25	NUT-0265	NYLOC NUT	3	57	HAPAA0302	HYD RESTRICTOR	1
26	HSS-0198	BOLT	1	58	WSH-1005	DOWTY WASHER	4
27	NUTA02200	NUT	2	59	293533 01	SPACER TUBE (2025 & ON)	1
28	BLTA20590	BOLT	1	60	HHLC33605	HYD HOSE ASSY (XCV32)	1
29	HSS-0265	SETSCREW	3	OR	HHLC39605	HYD HOSE ASSY (XCV36)	1
30	BLF12233	COACHBOLT	4	OR	HHLC48605	HYD HOSE ASSY (XCV42)	1
31	292586 01	SPACER	1	61	HHLC35605	HYD HOSE ASSY (XCV32)	1
				OR	HHLC41605	HYD HOSE ASSY (XCV36)	1
				OR	HHLC50605	HYD HOSE ASSY (XCV42)	1
				62	292665 01	STOP PLATE	2
				63	BLTA10290	BOLT	2

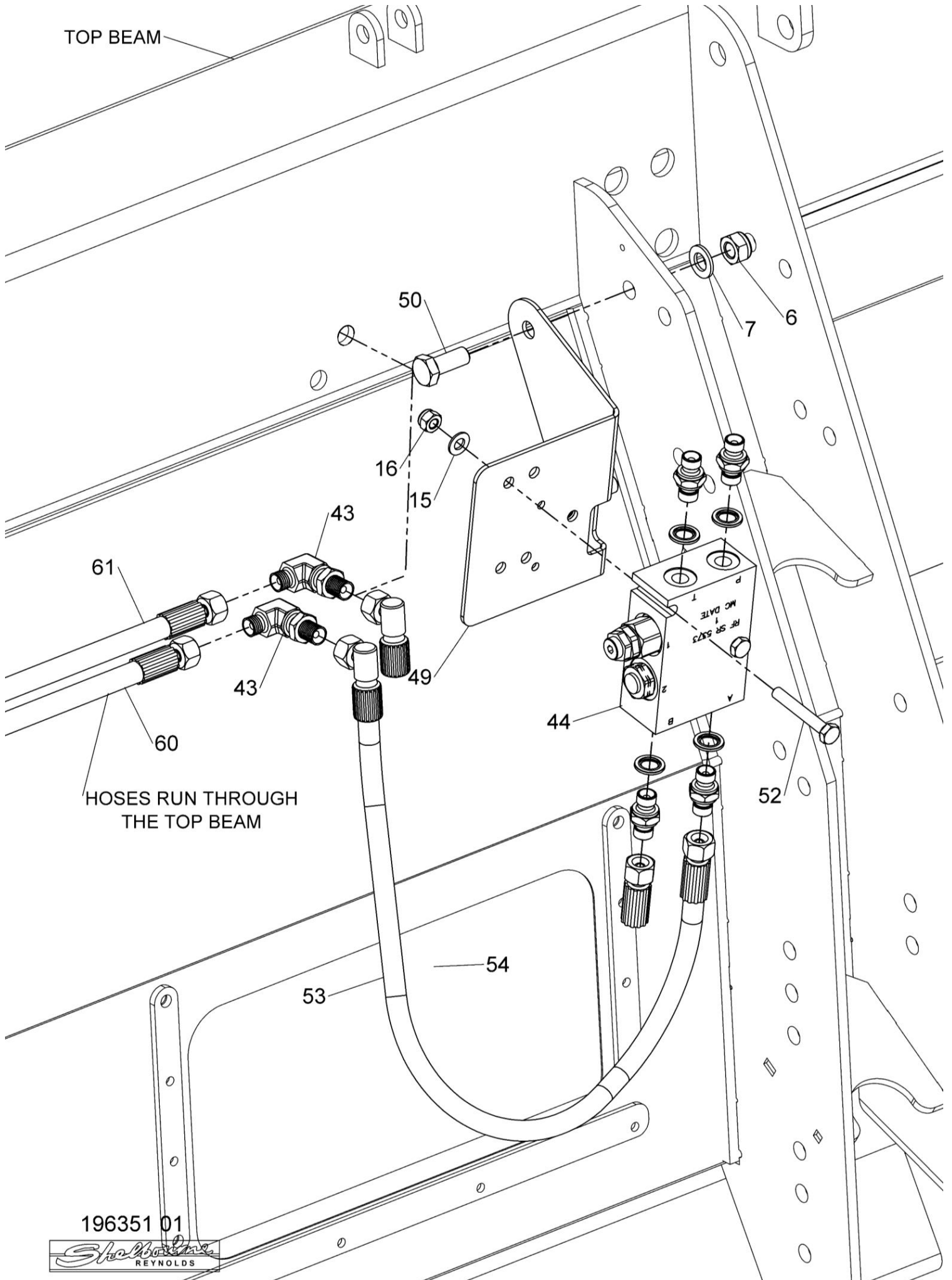
Shelbourne Reynolds Engineering Limited



196351 01



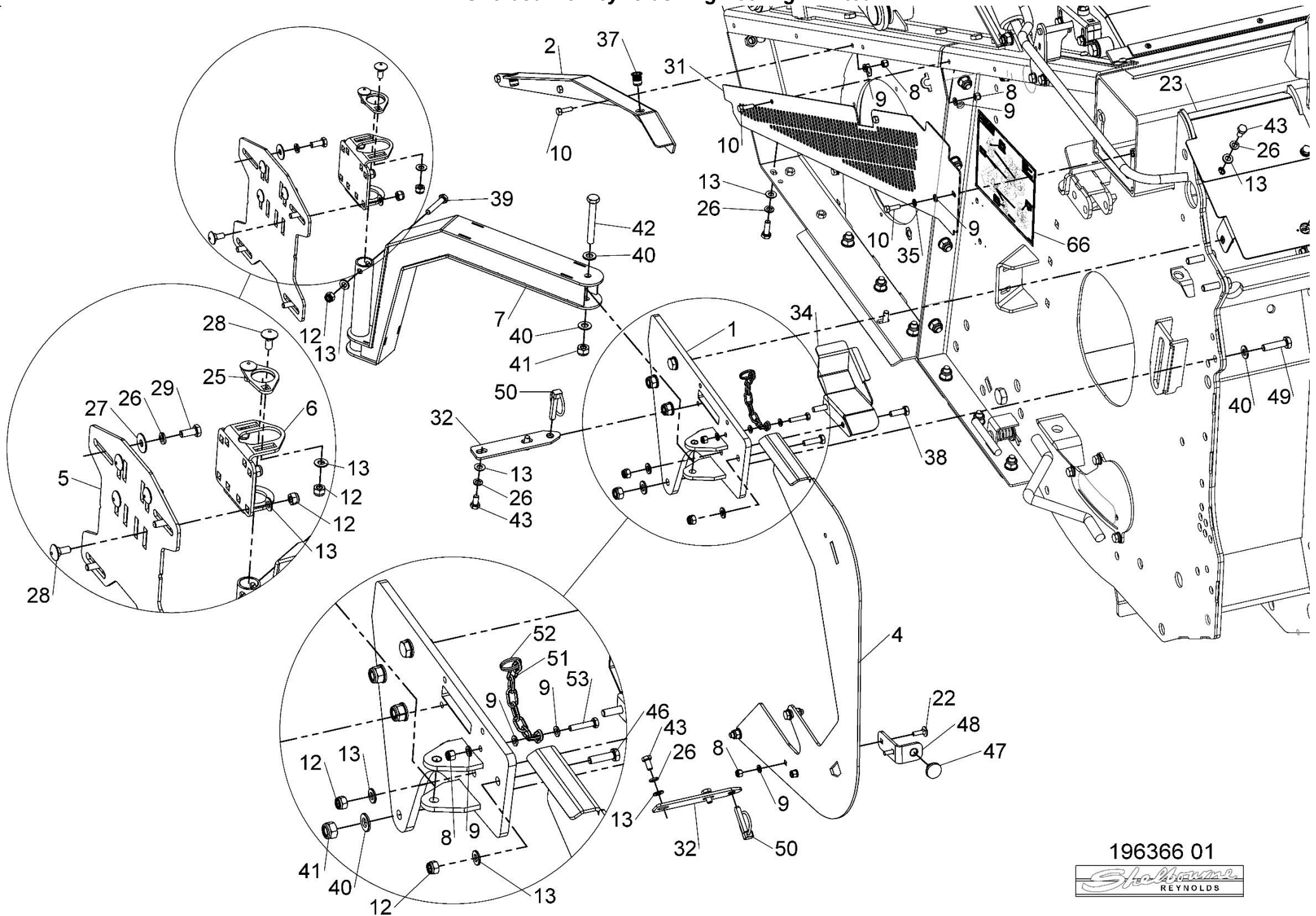
TOP BEAM



Shelbourne Reynolds Engineering Limited

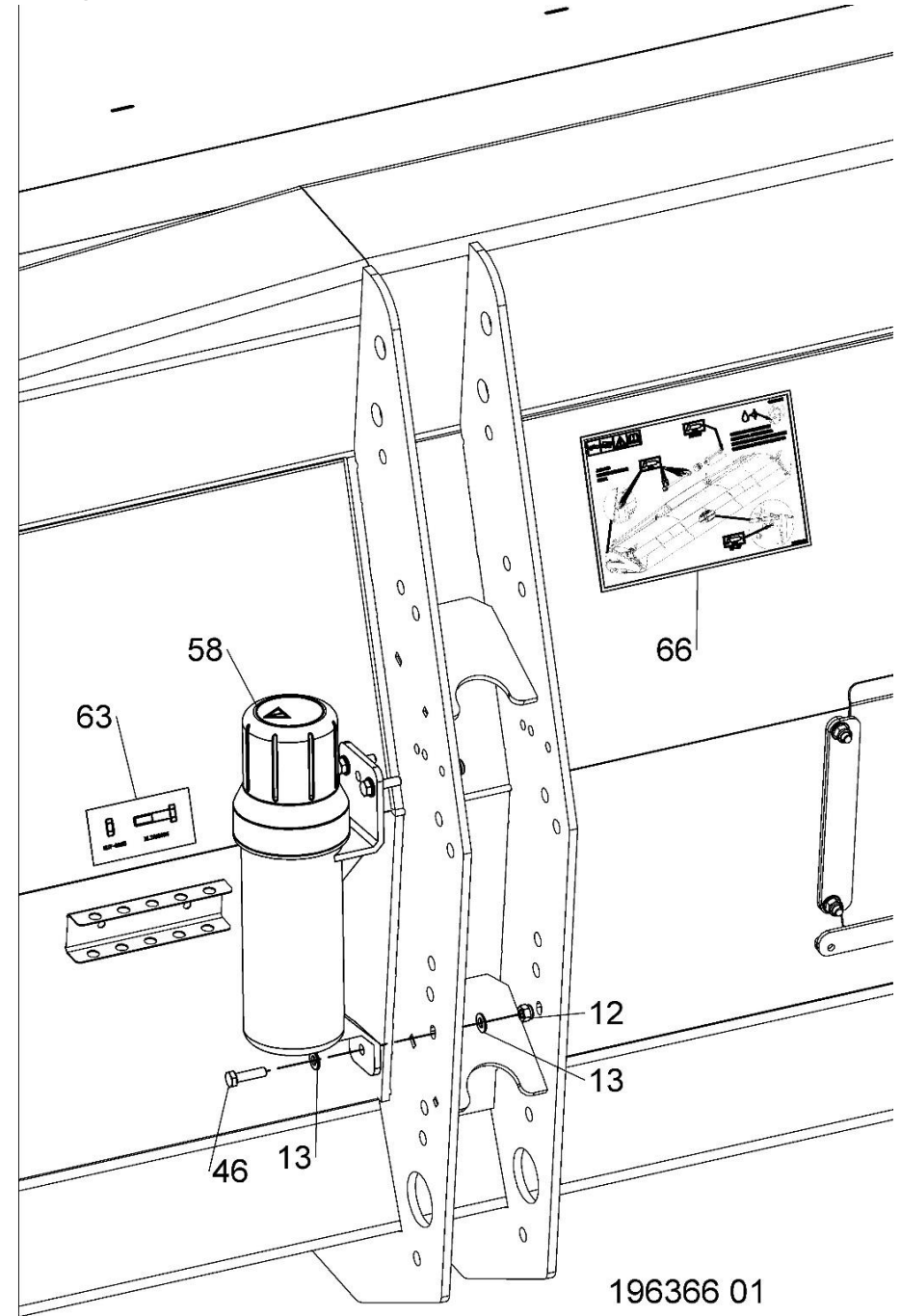
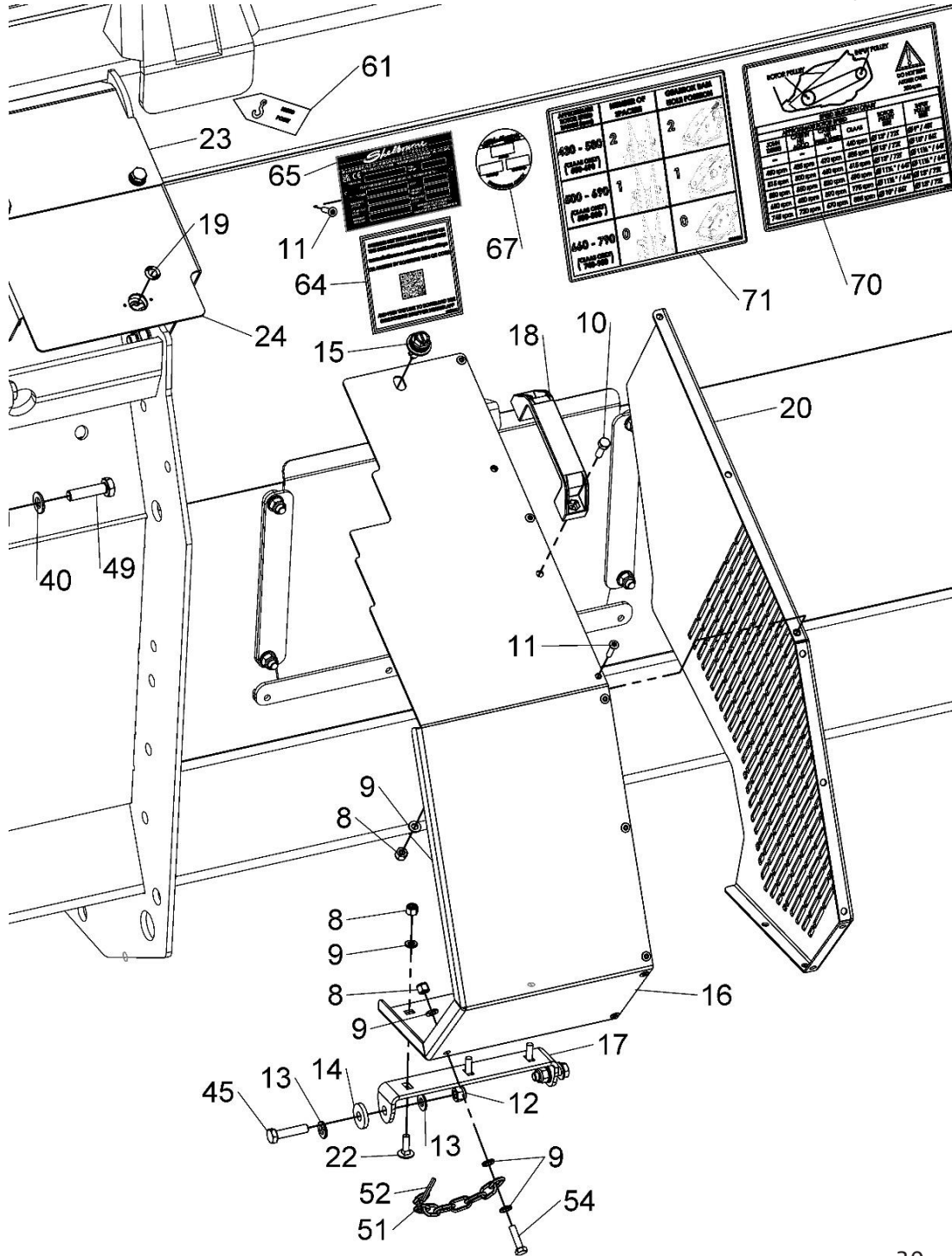
ASSY NUMBER: 196366 01				ASSY DESCRIPTION: GUARDS & EMBLEMS SUB (XCV)			
ITEM	PART NO	DESCRIPTION	QTY	ITEM	PART NO	DESCRIPTION	QTY
1	293285 01	GUARD PIVOT W/A	1	41	NUT-0265	NUT	7
2	293389 01	GUARD MOUNTING PLATE	1	42	BLTA10500	BOLT	1
3	293386 01	CORNER GUARD W/A	1	43	HSS-0135	SETSCREW	6
4	293287 01	GUARD MOUNTING PLAYTE	1	44	HSS-0194	SETSCREW	3
5	290119 01	MOUNTING PLATE	1	45	HSS-0152	SETSCREW	1
6	290118 01	PIVOT BRKT	1	46	HSS-0150	SETSCREW	6
7	199998 01	ARM W/A	1	47	RUB-0330	RUBBER GROMMET	1
8	NUT-0260	NUT	14	48	293302 01	GUARD STOP PLATE	1
9	WSH-0009	WASHER	21	49	HSS-0202	SECREW	1
10	HSS-0086	SETSCREW	8	50	PIN-01950	LYNCH PIN	2
11	POP-0006	POP RIVET	12	51	CHN-0145	CHAIN	0.17m
12	NUT-0263	NUT	17	51	CHN-0145	CHAIN	0.17m
13	WSH-0012	WASHER	37	52	CHA-30022	SPLIT KEY RING	2
14	190119 10	WASHER	1	53	HSS-0092	SETSCREW	1
15	LTC-0010	¼ TURN FASTENER	1	54	HSS-0088	SETSCREW	3
16	293297 01	HINGED GUARD TOP PLATE	1	55	NUTA13060	NUTSERT	2
17	293312 01	HINGE	1	56	290001 01	IDLE END GUARD	1
18	HND-0000	PLASTIC HANDLE	1	57	198562 01	COVER PLATE	1
19	LTC-0012	RETAINING WASHER	1	58	PCN-00100	MANUAL CANNISTER	1
20	293298 01	HINGED GUARD SIDE PLATE	1	59	290640 01	SHELBOURNE EMBLEM	1
21				60	290534 01	SHELBOURNE EMBLEM	1
22	BLTF06143	COACH BOLT	5	61	190702 04	EMBLEM (SLING POINT)	4
23	293385 01	COVER PLATE	1	62	290877 01	EMBLEM (HEADER MAINTENANCE)	1
24	293381 01	TOP RAM GUARD W/A	1	63	613205 01	EMBLEM (SHEARBOLT)	1
25	290540 01	CLAMP BRKT	1	64	290150 01	EMBLEM (QR CODE)	1
26	WSH-0058	WASHER	18	65	290526 01	SERIAL NO. PLATE	1
27	WSH-1038	WASHER	4	66	290878 01	EMBLEM (DRIVE MAINTENANCE)	1
28	BLT-4710	COACH BOLT	6	67	TNF-0013	INSPECTION STICKER	1
29	HSS-0140	SETSCREW	4	68	199221 01	EMBLEM (XCV LARGE, CROP DEF.)	1
30	290000 01	LH DRIVE GUARD	1	OR	199222 01	EMBLEM (XCS LARGE, CROP DEF.)	1
31	293303 01	VENTED TOP GUARD	1	OR	291710 04	EMBLEM (XRS LARGE, CROP DEF.)	1
32	290539 01	LOCATING PLATE	2	69	199223 01	EMBLEM (42 LARGE, CROP DEF.)	1
33	293314 01	FILL IN PLATE	1	OR	199223 02	EMBLEM (36 LARGE, CROP DEF.)	1
34	293318 01	COVER PLATE	1	OR	199223 03	EMBLEM (32 LARGE, CROP DEF.)	1
35	WSH-0056	WASHER	3	70	290910 01	EMBLEM (HTD SPEEDS, XRS ONLY)	1
36	SCW-5180	SELF TAP SCREW	3	OR	292044 01	EMBLEM (HTD SPEEDS, XCS ONLY)	1
37	NUTA13080	NUTSERT	2	71	293494 01	VS SPEED SELECTION STICKER	1
38	HSS-0145	SETSCRERW	11				
39	HSS-0155	SETSCREW	1				
40	WSH-0015	WASHER	14				

Shelbourne Reynolds Engineering Limited



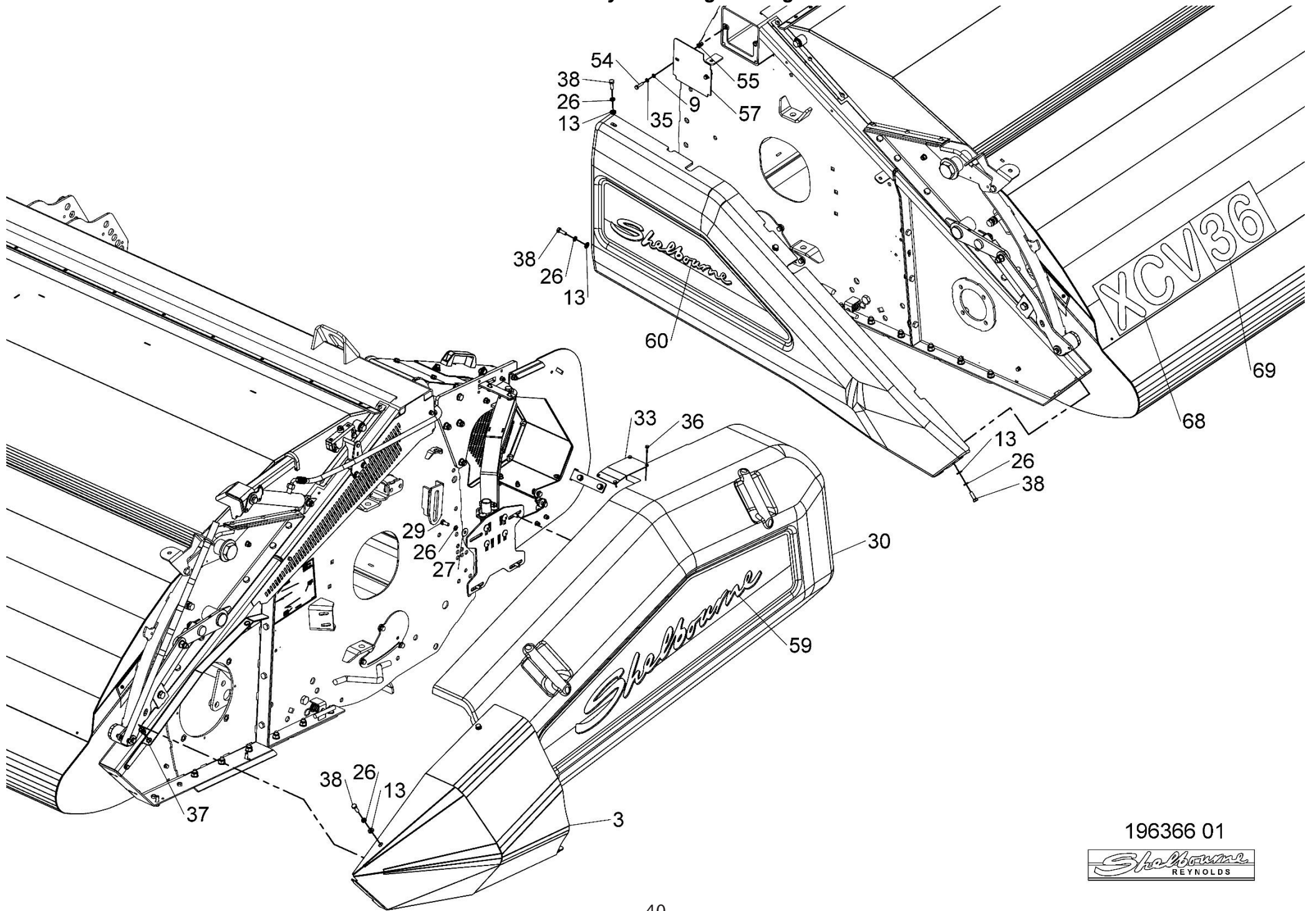
196366 01





196366 01



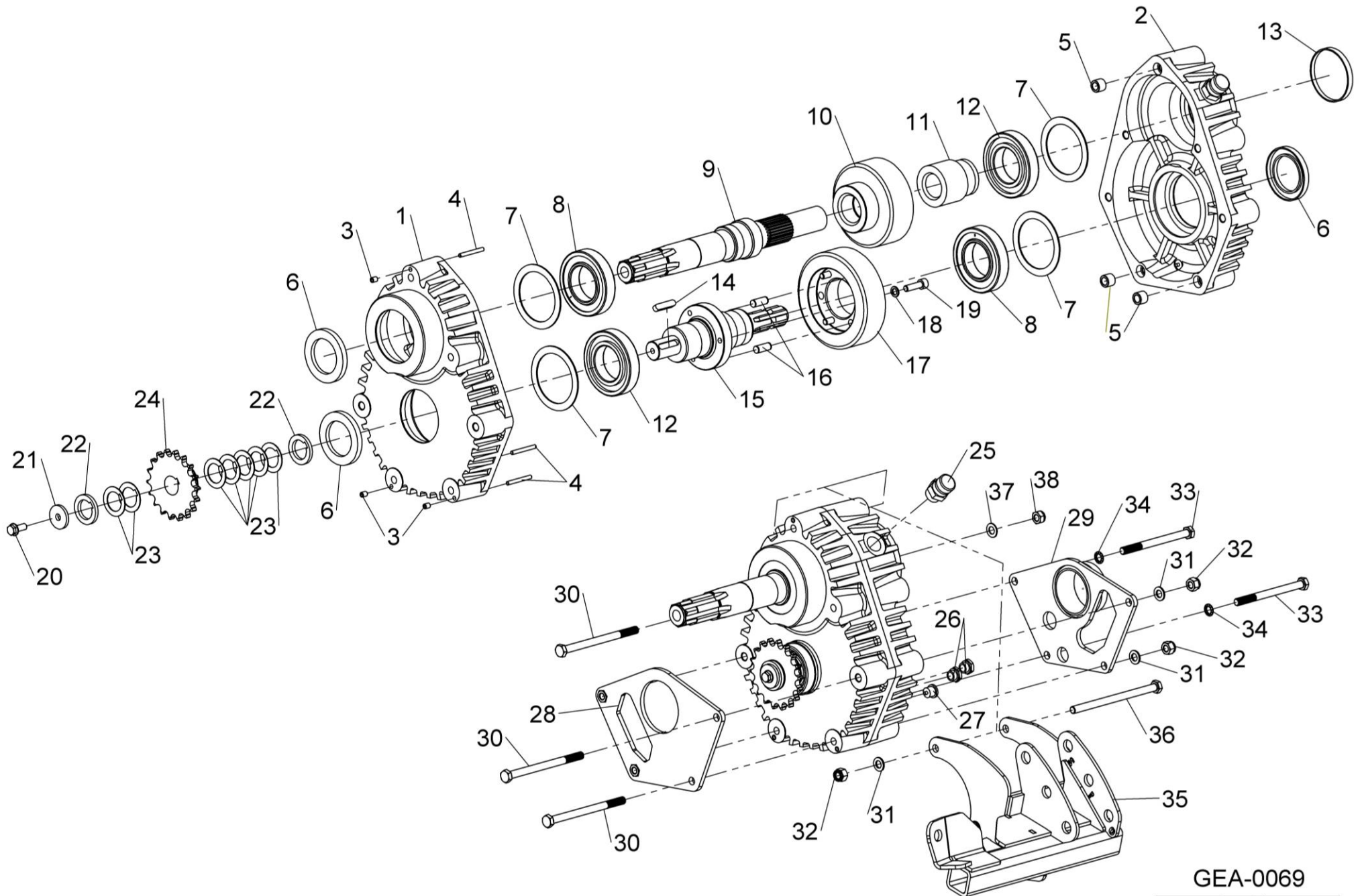


196366 01



Shelbourne Reynolds Engineering Limited

ASSY NUMBER: GEA-0069				ASSY DESCRIPTION: INPUT GEARBOX ASSY VARIABLE SPEED (PG)			
ITEM	PART NO	DESCRIPTION	QTY	ITEM	PART NO	DESCRIPTION	QTY
1	197619 02	CASE HALF (PULLEY SIDE)	1	31	WSH-0018	PLAIN WASHER	4
2	197619 03	CASE HALF (PTO SIDE)	1	32	NUT-0269	NYLOC NUT	4
3	SCW-4535	GRUBSCREW	3	33	BLT-2276	HEX.HEAD BOLT	2
4	192597 01	JACKING ROD	3	34	WSHA20121	SHAKEPROOF WASHER	2
5	192598 01	DOWEL	3	35	293532 01	GEARBOX PIVOT BRACKET W/A (2025 & ON)	1
6	SEA-0590	SHAFT SEAL	3	OR	293277 01	GEARBOX PIVOT BRACKET W/A (2024 ONLY)	1
7	192596 01	RING	4	36	BLTA12810	HEX HEAD BOLT	2
8	BRG-16080	SUPPORT	2	37	WSH-0019	PLAIN WASHER (FORM B)	1
9	293367 01	PINION SHAFT	1	38	NUT-0270	NYLOC NUT (THIN)	1
10	193599 09	PINION GEAR (32 TOOTH)	1				
OR	193599 11	PINION GEAR (34 TOOTH)	1				
OR	193599 12	PINION GEAR (30 TOOTH)	1				
OR	193599 13	PINION GEAR (36 TOOTH)	1				
11	195526 01	SLEEVE	1				
12	BRG-7040	BEARING	2				
13	SEAZ09000	CORE PLUG SEAL	1		GEA-0058CNH	SPARES GEARBOX ASSY C/W 35T & 34T GEARS	
14	K1008045	KEY	1		GEA-0058JD/CIH	SPARES GEARBOX ASSY C/W 37T & 32T GEARS	
15	192591 01	INPUT SHAFT	1		GEA-0058LEX	SPARES GEARBOX ASSY C/W 33T & 36T GEARS	
16	PIN-61217	DOWEL PIN	3				
17	192592 09	INPUT GEAR (37 TOOTH)	1				
OR	192592 11	INPUT GEAR (35 TOOTH)	1				
OR	192592 12	INPUT GEAR (39 TOOTH)	1				
OR	192592 13	INPUT GEAR (33 TOOTH)	1				
18	WSH-0061	SPRING WASHER	3			ABOVE SPARE GEARBOX ASSY DO NOT INCLUDE MOUNTING PLATES & AUGER SPROCKET, ITEMS; 28,29, 22,23,24,21 & 20	
19	SCW-0196	CAP HEAD SCREW	3				
20	HSSF10174	HEX HD SCREW	1				
21	190548 01	RETAINING WASHER	1				
22	191692 01	SPACER	2				
23	191692 02	SPACER	7				
24	192768 18	AUGER DRIVE SPROCKET (18T)	1				
OR	192768 04	AUGER DRIVE SPROCKET (16T)	1				
OR	192768 16	AUGER DRIVE SPROCKET (15T)	1				
OR	192768 10	AUGER DRIVE SPROCKET (22T)	1				
OR	192768 08	AUGER DRIVE SPROCKET (13T)	1				
OR	192768 20	AUGER DRIVE SPROCKET (12T)	1				
25	FIT-0255	BREATHER	1				
26	FITD00005	SIGHT GLASS/SEAL	2				
27	FIT-0253	DRAIN PLUG	1				
28	198021 01	G/BOX MTG PLT LH	1				
29	198022 01	G/BOX MTG PLT RH	1				
30	BLTA12750	HEX HEAD BOLT	3				

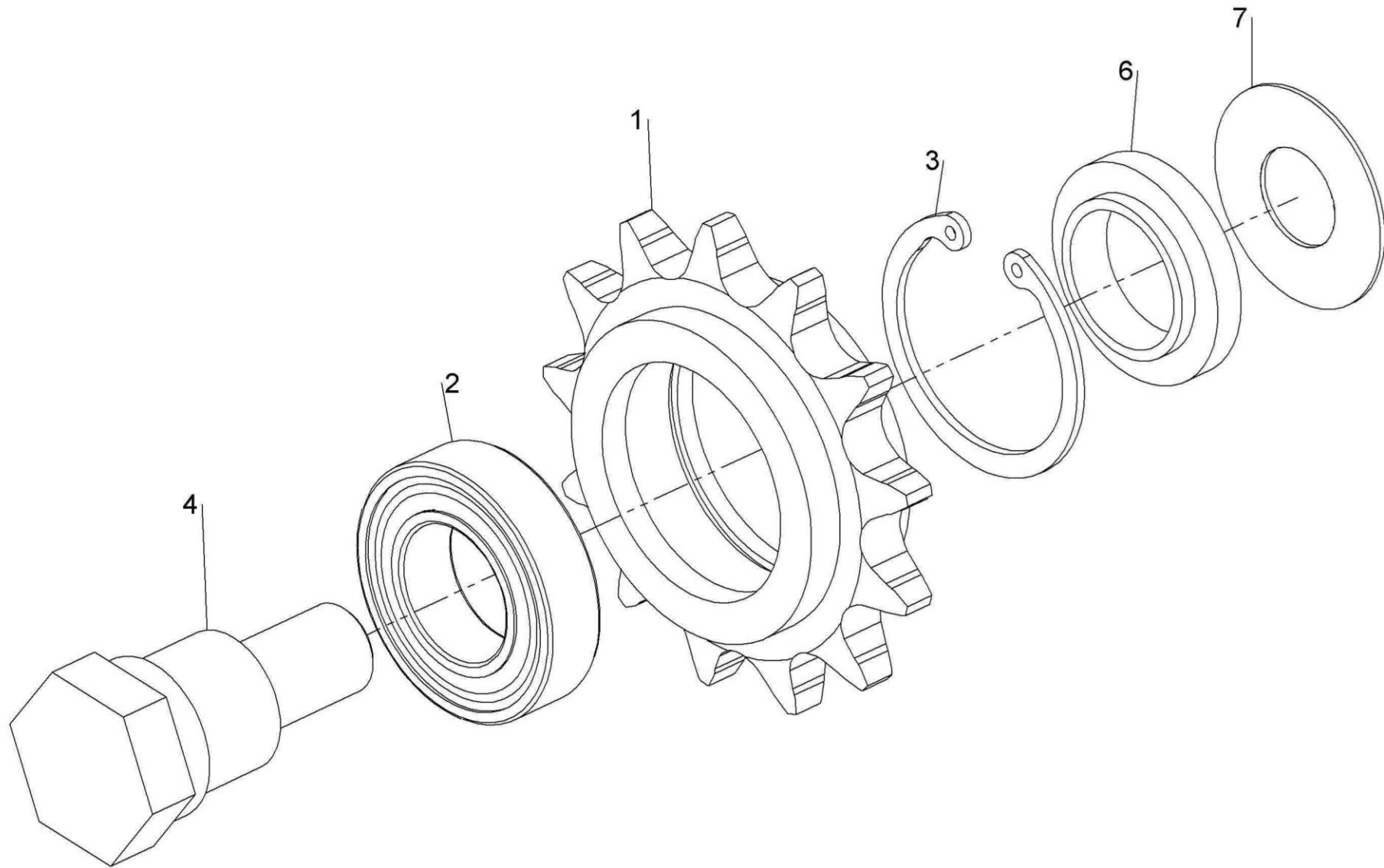


GEA-0069



Shelbourne Reynolds Engineering Limited

ASSY NUMBER: KIT-00112				ASSY DESCRIPTION: IDLER ASSY KIT			
ITEM	PART NO	DESCRIPTION	QTY	ITEM	PART NO	DESCRIPTION	QTY
1	131041 01	JOCKEY SPKT 133/4P	1				
2	BRG-1995	SUPPORT	1				
3	CIR-0470	CIRCLIP INT	1				
4	190060 11	AUGER IDLE SPINDLE	1				
5							
6	191040 01	SPACER	1				
7	190548 04	WASHER	2				

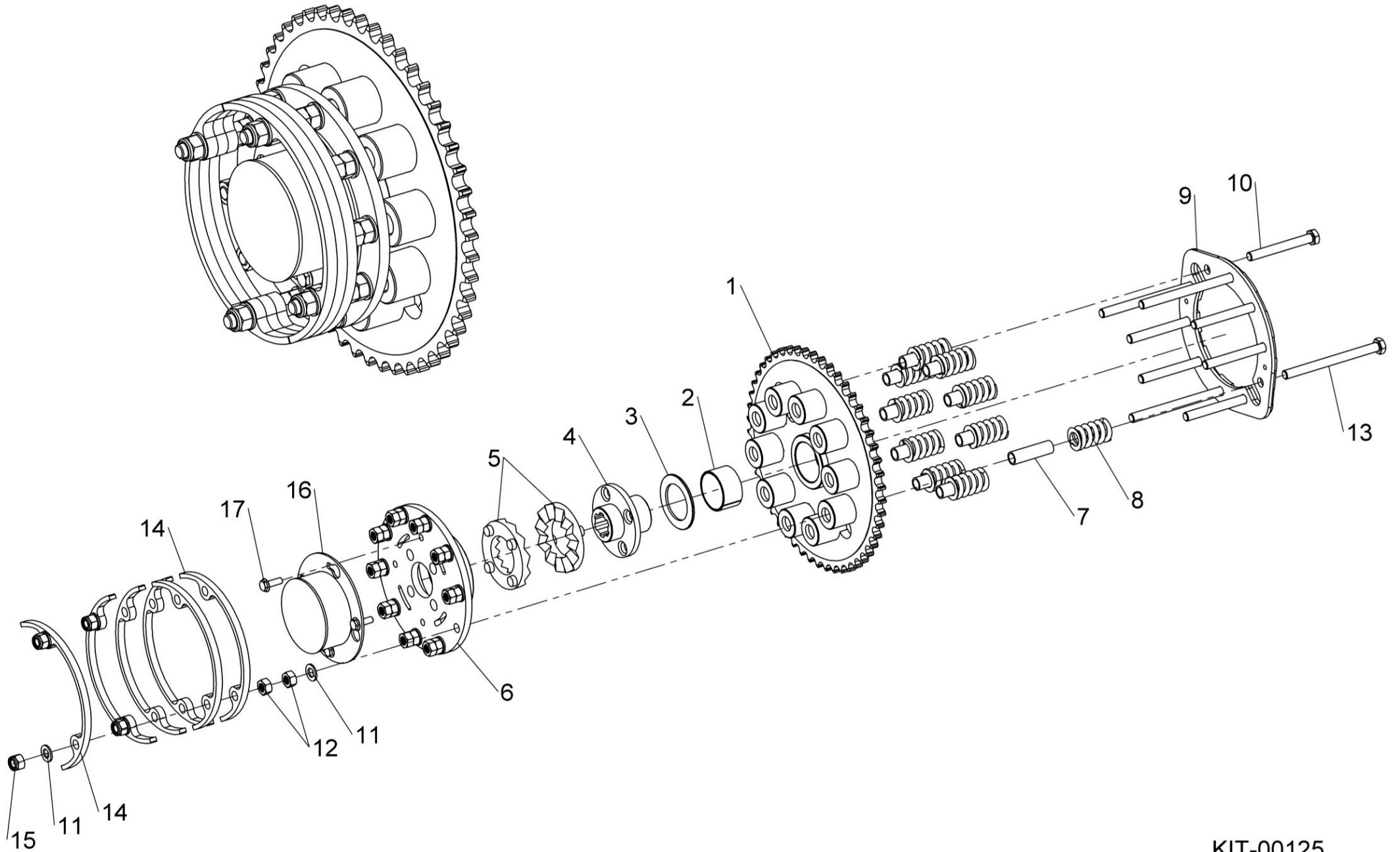


KIT-00112



Shelbourne Reynolds Engineering Limited

ASSY NUMBER: KIT-00125				ASSY DESCRIPTION: AUGER SLIP CLUTCH (10 SPRING)			
ITEM	PART NO	DESCRIPTION	QTY	ITEM	PART NO	DESCRIPTION	QTY
1	290418 01	50T SPROCKET ASSY	1				
2	BSHK05056	BUSH	1				
3	192008 02	THRUST WASHER	1				
4	195850 01	SPLINED CLUTCH HUB	1				
5	131005	CLUTCH PLATE	2				
6	293084 01	DRIVE DISC W/A	1				
7	131073 04	SPACER	10				
8	131063	SPRING	10				
9	290336 01	LOCKING RING	1				
10	BLT-2270	BOLT	6				
11	WSH-0018	PLAIN WASHER	14				
12	NUT-0170	PLAIN NUT	20				
13	HSSA12710	SETSCREW	4				
14	290403 01	BELT SLIPPER	6				
15	NUT-0269	NYLOC NUT	4				
16	293080 01	CLUTCH END COVER	1				
17	HSSF08174	SETSCREW	4				

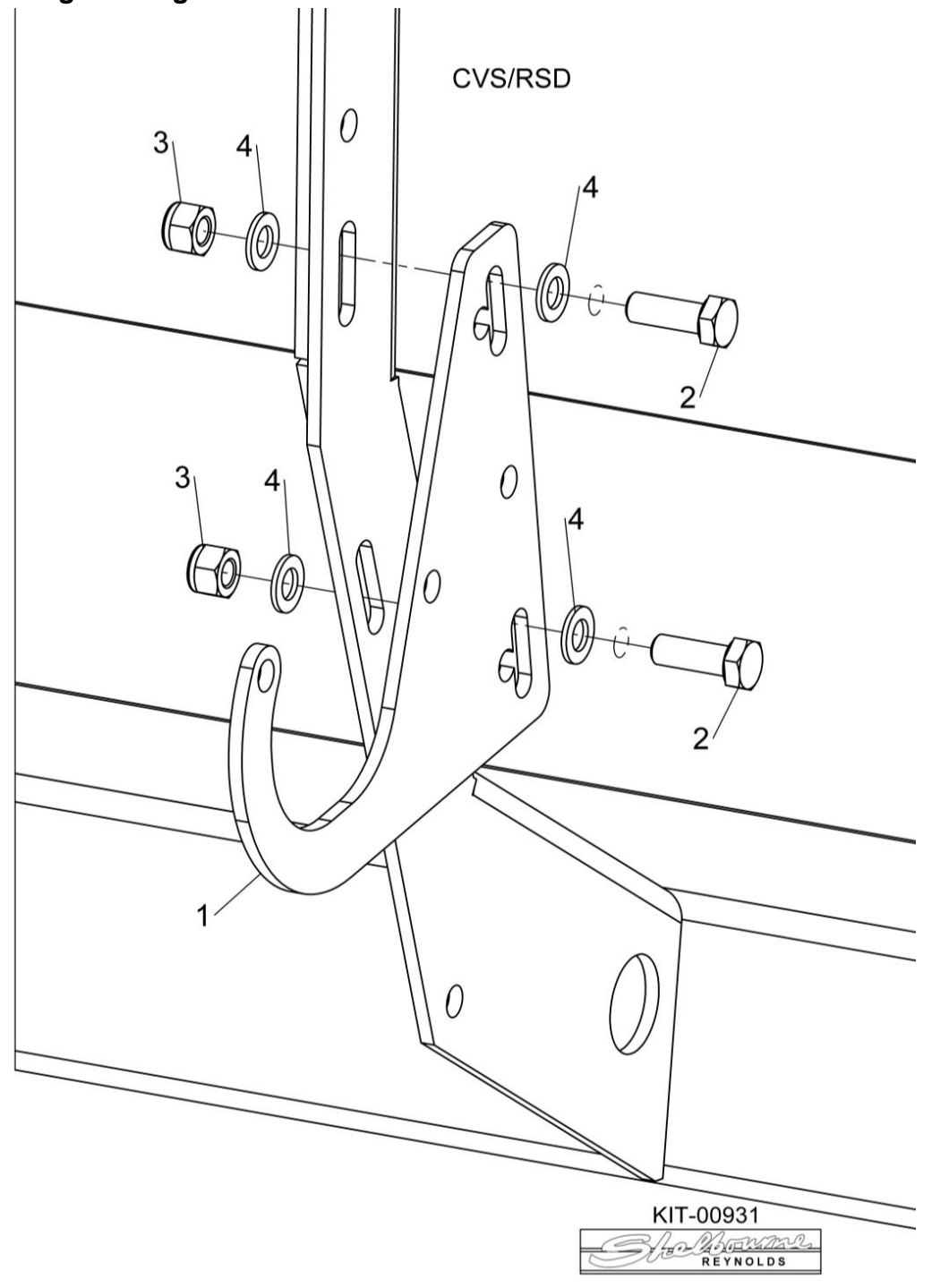
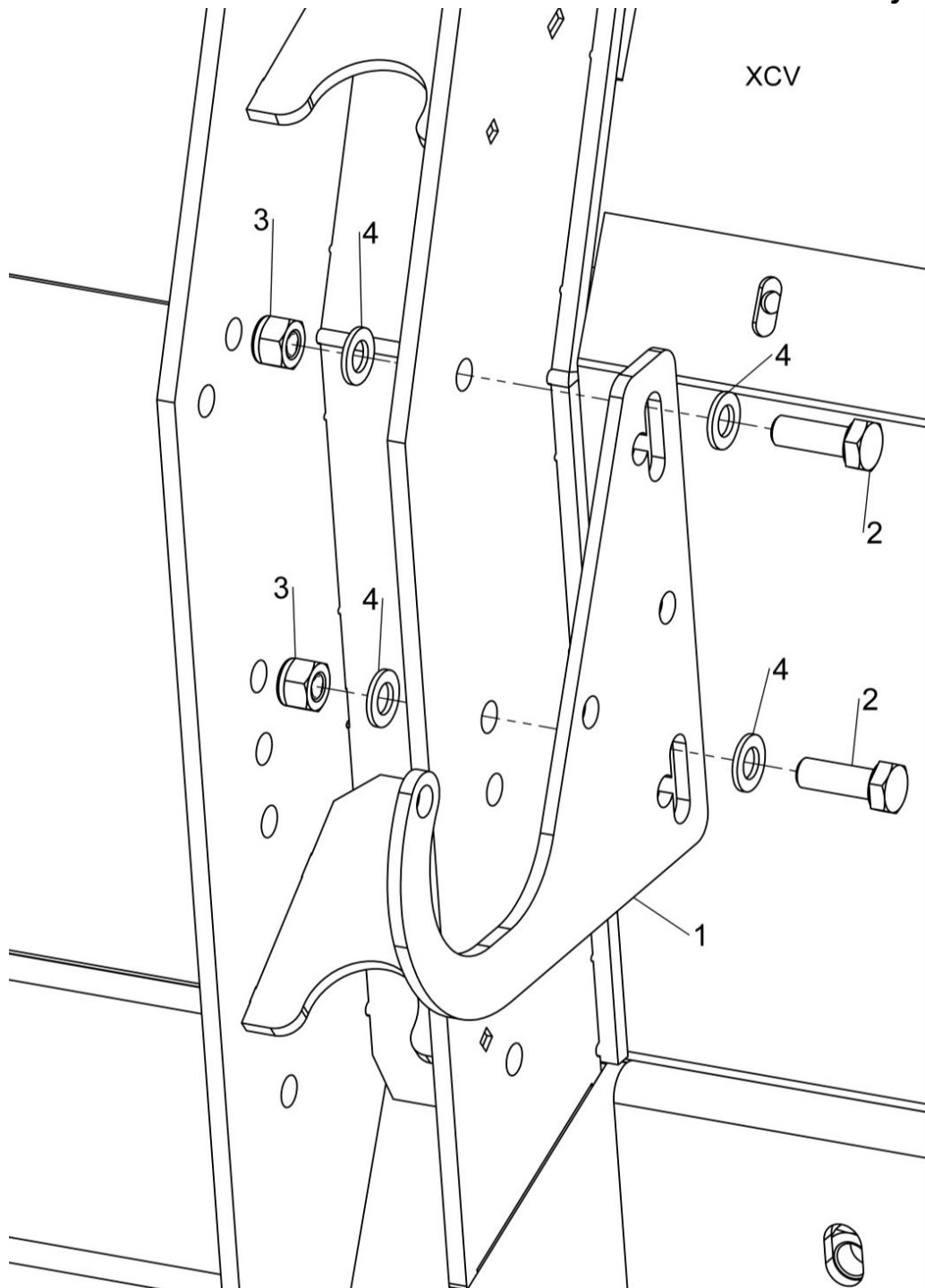


KIT-00125



Shelbourne Reynolds Engineering Limited

ASSY NUMBER: KIT-00931				ASSY DESCRIPTION: PTO SUPPORT KIT			
ITEM	PART NO	DESCRIPTION	QTY	ITEM	PART NO	DESCRIPTION	QTY
1	191945 01	PTO SUPPORT	1				
2	HSS-0241	SETSCREW	2				
3	NUT-0269	NYLOC NUT	2				
4	WSH-0018	PLAIN WASHER	4				

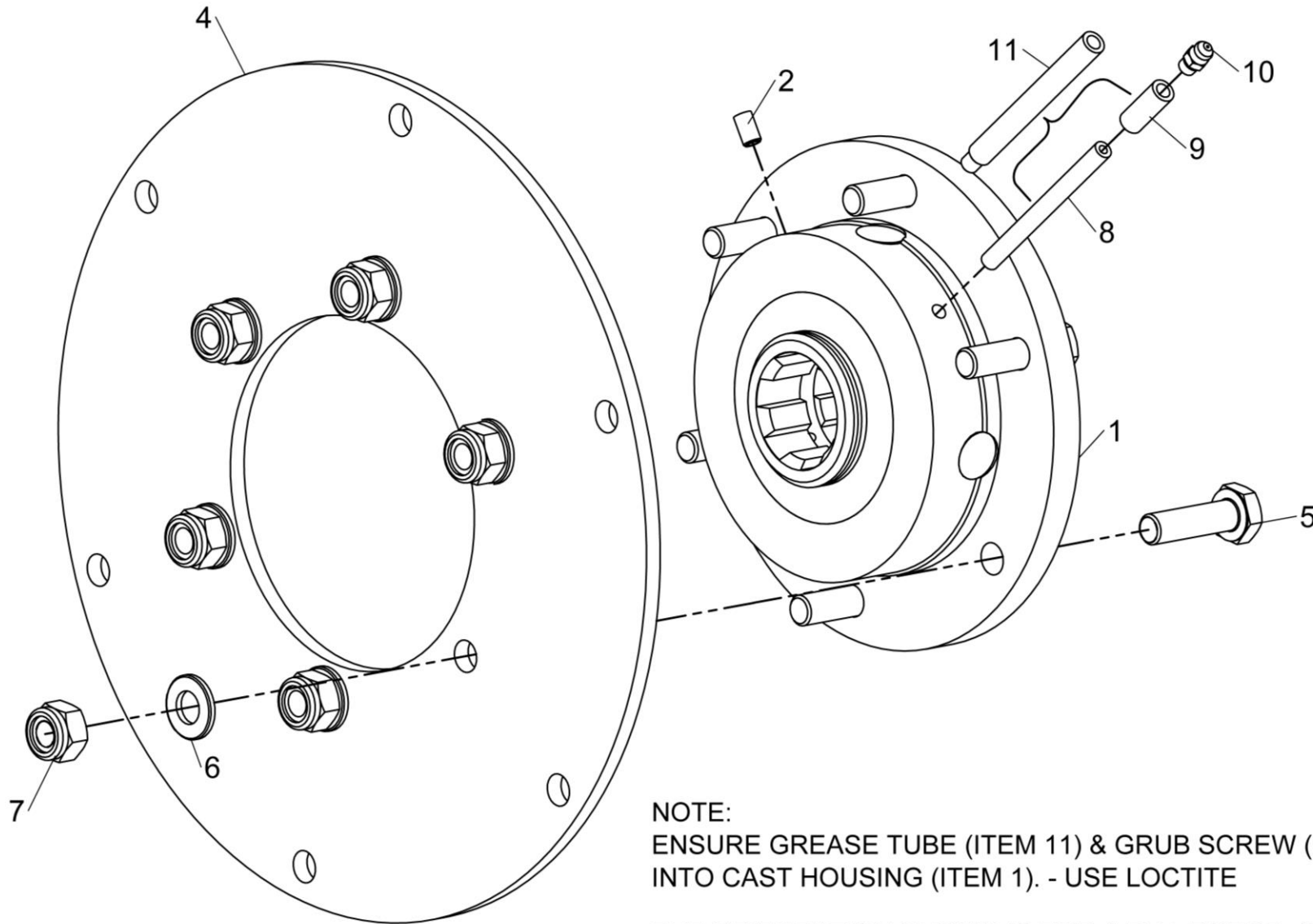


KIT-00931



Shelbourne Reynolds Engineering Limited

ASSY NUMBER: KIT-00976				ASSY DESCRIPTION: BALL JOINT CTR COUPLING			
ITEM	PART NO	DESCRIPTION	QTY	ITEM	PART NO	DESCRIPTION	QTY
1	193114 01	SPLINED BALL ASSY	1				
OR	193114P	SPARE SPLINED BALL ASSY (ALTERNATIVE TO 193114 01)					
2	SCW-4530	GRUBSCREW	1				
3							
4	193106 01	DRIVE RING PLATE	1				
5	HSS-0198	SETSCREW	6				
6	WSH-0015	PLAIN WASHER	6				
7	NUT-0265	NYLOC NUT	6				
8	193077 01	GREASE PIPE (UPTO 2022)	1				
9	193078 01	GREASE PIPE SLEEVE (UPTO 2022)	1				
10	NIP-00600	GREASE NIPPLE	1				
11	292226 01	GREASE PIPE (2022 & ON) SUPPLY IN PLACE OF ITEMS 8 & 9	1				



NOTE:
ENSURE GREASE TUBE (ITEM 11) & GRUB SCREW (ITEM 2) ARE ASSEMBLED
INTO CAST HOUSING (ITEM 1). - USE LOCTITE

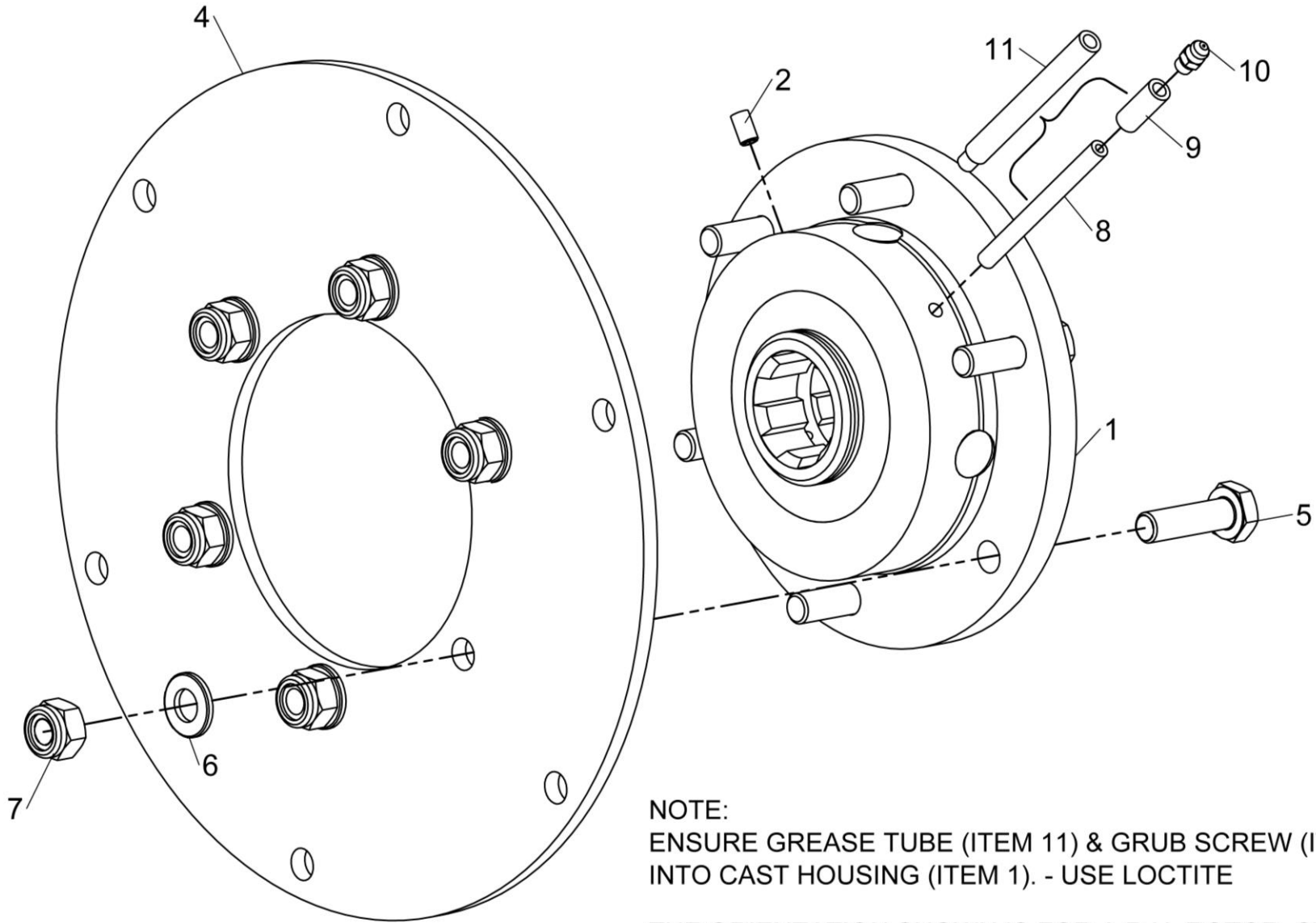
THE ORIENTATION SHOWN IS FOR A R.H. ROTOR, SWAP ITEMS 2 & 11 FOR A
LH ROTOR

KIT-00976



Shelbourne Reynolds Engineering Limited

ASSY NUMBER: KIT-00976A				ASSY DESCRIPTION: BALL JOINT CTR COUPLING			
ITEM	PART NO	DESCRIPTION	QTY	ITEM	PART NO	DESCRIPTION	QTY
1	193114 05	SPLINED BALL	1				
OR	193114P	SPARE SPLINED BALL ASSY (ALTERNATIVE TO 193114 01)					
2							
3			1				
4	193106 01	DRIVE RING PLATE					
5	HSS-0198	SETSCREW	6				
6	WSH-0015	PLAIN WASHER	6				
7	NUT-0265	NYLOC NUT	6				
8	193077 01	GREASE PIPE (UPTO 2022)	1				
9	193078 01	GREASE PIPE SLEEVE (UPTO 2022)	1				
10	NIP-00600	GREASE NIPPLE	1				
11	292226 01	GREASE PIPE (2022 & ON) SUPPLY IN PLACE OF ITEMS 8 & 9	1				



NOTE:

ENSURE GREASE TUBE (ITEM 11) & GRUB SCREW (ITEM 2) ARE ASSEMBLED INTO CAST HOUSING (ITEM 1). - USE LOCTITE

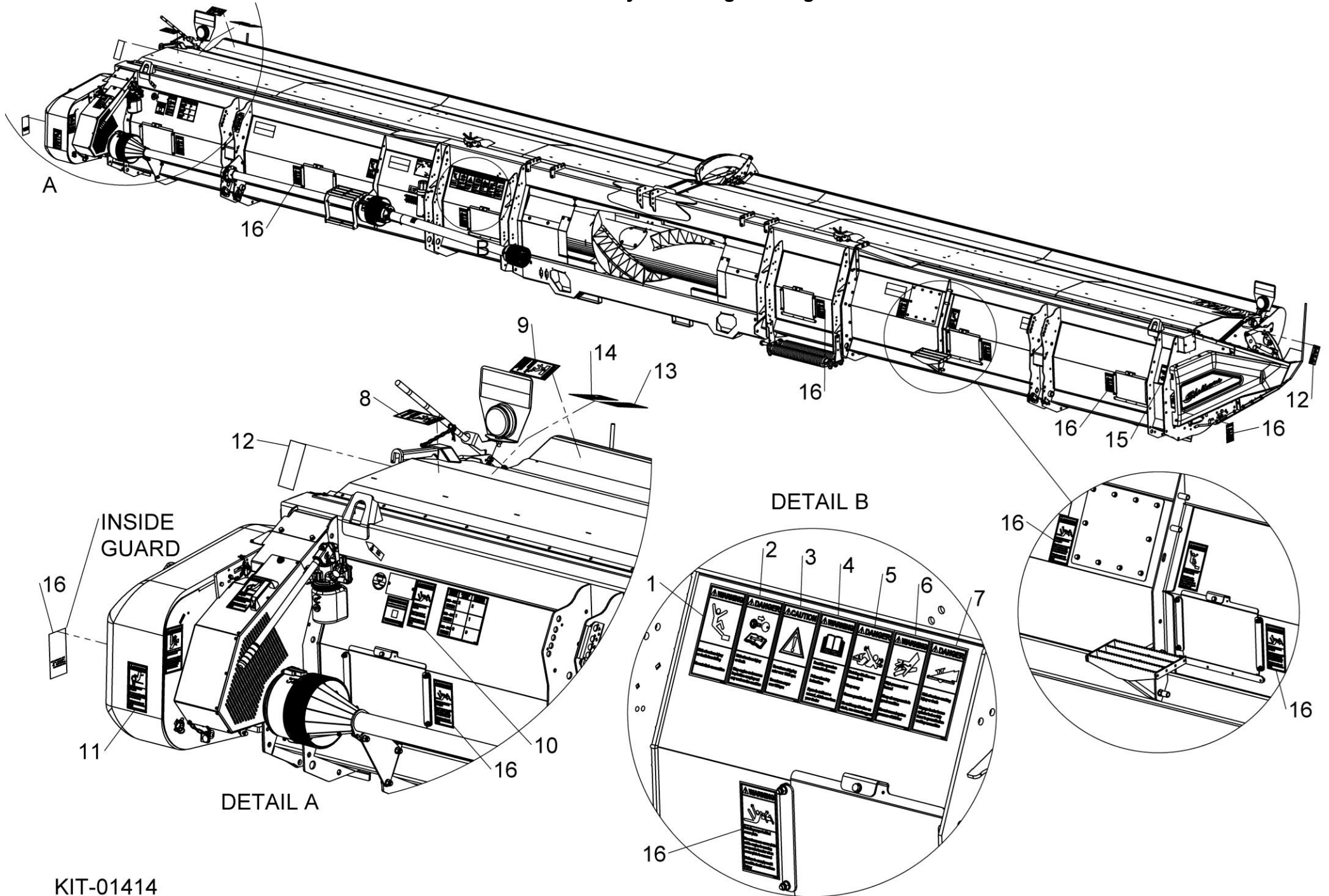
THE ORIENTATION SHOWN IS FOR A R.H. ROTOR, SWAP ITEMS 2 & 11 FOR A LH ROTOR

KIT-00976



Shelbourne Reynolds Engineering Limited

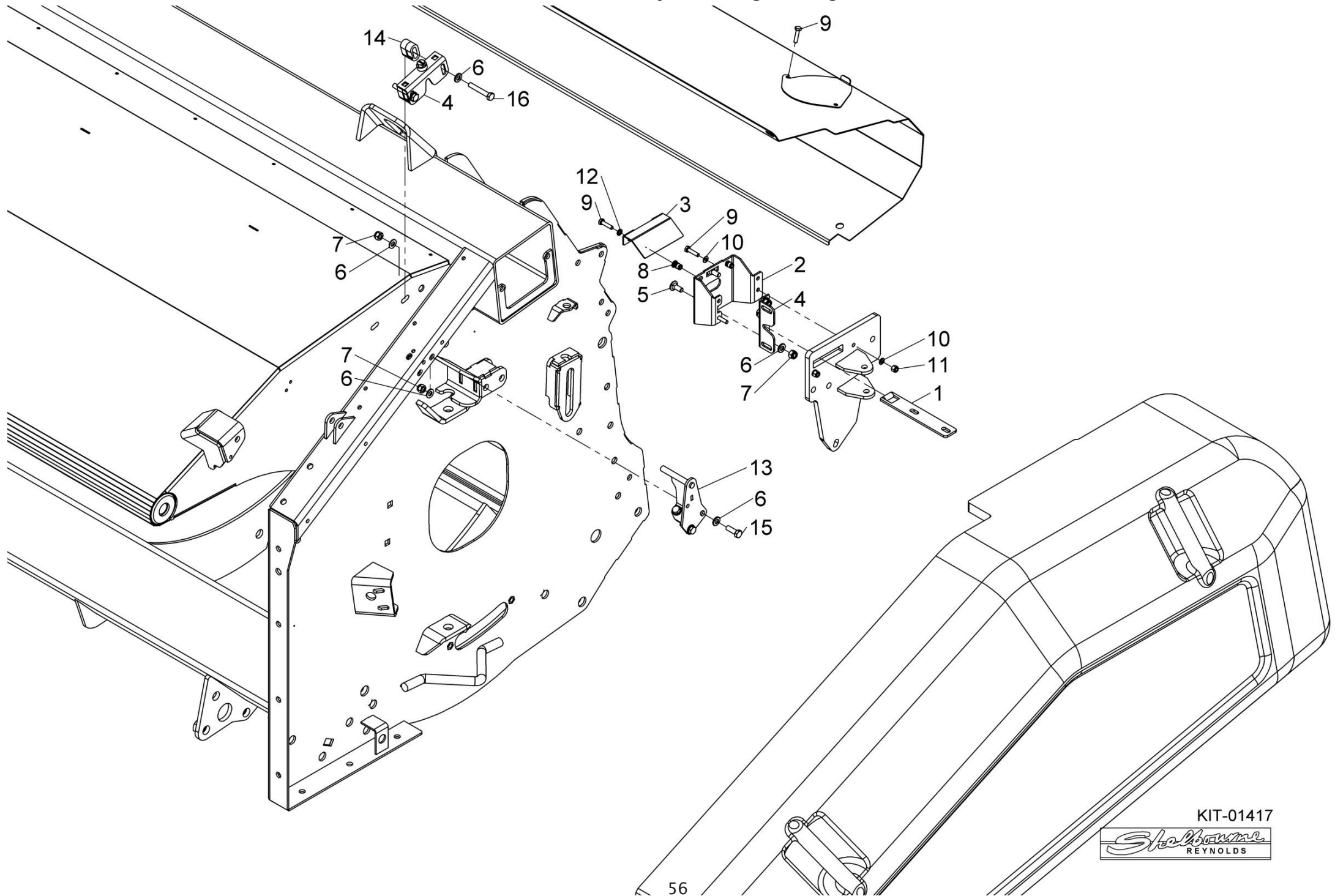
ASSY NUMBER: KIT-01414				ASSY DESCRIPTION: SAFETY DECAL KIT NORTH AMERICA 2025 (EXCEL)			
ITEM	PART NO	DESCRIPTION	QTY	ITEM	PART NO	DESCRIPTION	QTY
1	198835 01	EMBLEM - DO NOT CLIMB	1				
2	198840 01	EMBLEM - STOP ENGINE	1				
3	198838 01	EMBLEM - SPEED RESTRICTION	1				
4	199011 01	EMBLEM - READ OPS MANUAL	1				
5	198842 01	EMBLEM - ROTATING DRIVE LINE	1				
6	198832 01	EMBLEM - HIGH PRESSUE FLUID	1				
7	198844 01	EMBLEM - RISK OF CRUSHING	1				
8	198843 01	EMBLEM - HOOD LOCK	1				
9	198836 01	EMBLEM - CROP DEFLECTOR LOCK	1				
10	198839 01	EMBLEM - AUGER	1				
11	198837 01	EMBLEM - MOVING PARTS UNDER	1				
12	198833 01	EMBLEM - CROP DEFLECTOR HAND	2				
13	198841 01	EMBLEM - ROTOR KEEP AWAY	2				
14	198834 01	EMBLEM - STAND CLEAR ROTOR	2				
15	291968 01	EMBLEM - P65	1				
16	292942 01	EMBLEM - ROTATING AUGER	9				



KIT-01414

Shelbourne Reynolds Engineering Limited

ASSY NUMBER: KIT-01417				ASSY DESCRIPTION: CE AREA KIT (XCV)			
ITEM	PART NO	DESCRIPTION	QTY	ITEM	PART NO	DESCRIPTION	QTY
1	290647 01	SLAM LATCH CATCH	1				
2	290635 01	SLAM LATCH MOUNTING	1				
3	290636 01	COVER PLATE	1			REMOVE REAR GUARD THUMB SCREW	
4	LTC-00040	SLAM LATCH	2			AND REPLACE WITH ITEM 5	
5	BLT-4710	COACH BOLT	2				
6	WSH-0012	PLAIN WASHER	12			REMOVE TOP GUARD LOCATING	
7	NUT-0263	NYLOC NUT	7			PLATE AND REPLACE WITH ITEM 1	
8	NUTA13060	NUTSERT	2				
9	HSS-0088	SETSCREW	5			TRIM TOP CORNER FROM GUARD	
10	WSH-0009	PLAIN WASHER	4			SLAM LATCH	
11	NUT-0260	NYLOC NUT	2				
12	WSH-0056	SPRING WASHER	2				
13	290570 01	SLAM LATCH PIN	1				
14	290738 01	SLAM LATCH SPACER	2				
15	HSS-0145	SETSCREW	3				
16	HSS-0157	SETSCREW	2				

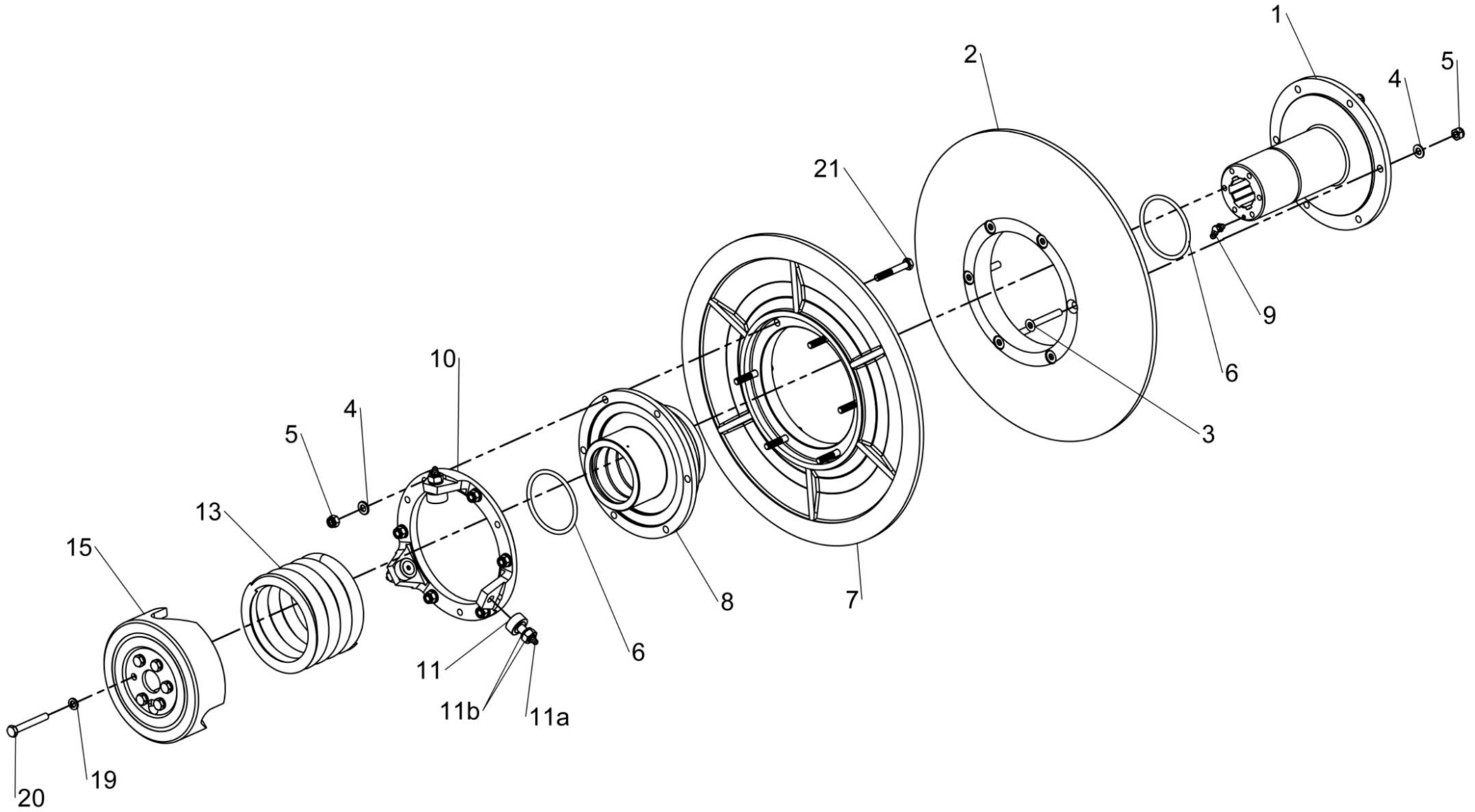


KIT-01417



Shelbourne Reynolds Engineering Limited

ASSY NUMBER: KIT-01445A				ASSY DESCRIPTION: ROTOR PULLEY ASSY (2022 & ON)			
ITEM	PART NO	DESCRIPTION	QTY	ITEM	PART NO	DESCRIPTION	QTY
1	199349 01A	INNER PULLEY HUB	1				
2	198269 01	INNER FRONT PULLEY	1				
3	SCEA08353	CSK.SOC HD SCREW	6				
4	WSH-0012	PLAIN WASHER	12				
5	NUT-0263	NYLOC NUT	12				
6	ORA300750	O RING	2				
7	198268 01	OUTER FRONT PULLEY	1				
8	199409 01A	OUTER PULLEY HUB	1				
9	NIP-00610	GREASE NIPPLE	1				
10	292316 01	CAM FOLLOWER BRACKET	1				
11	197640 01	CAM FOLLOWER BEARING ASSY	3				
11a	KIT-01428	SPARE GREASE ZERK/NIPPLE KIT					
11b	KIT-01432	SPARE NUT & WASHER KIT					
12							
13	SPGC00047	SPRING (RED)	1				
14							
15	292315 01	FIXED CAM (45°)	1				
16							
17							
18							
19	WSH-0058	SPRING WASHER	6				
20	HSSA08380	SETSCREW (2018 & ON)	6				
21	BLTA08350	HEX HEAD BOLT	6				



KIT-01445



Shelbourne Reynolds Engineering Limited

ASSY NUMBER: KIT-01454				ASSY DESCRIPTION: VS DRIVE CAM & BEARING KIT, ALL YEARS			
ITEM	PART NO	DESCRIPTION	QTY	ITEM	PART NO	DESCRIPTION	QTY
1	BRG-19500NC3	BEARING	2	20	292804 01	PRESS RING	1
2	292733 01	STATIC CAM W/A	1				
3	HSS-0150	HEX HD SET SCREW	2				
4	HSS-0316	HEX HD SET SCREW	1				
5	NUT-0263	NYLOC NUT	5				
6	WSH-0012	PLAIN WASHER	5				
7	WSHA30161	LOCKWASHER	1				
8	292704 01	ACTUATOR CAM W/A	1				
9	292695 01	BEARING BOSS	1				
10a	292709 01	ACTUATOR BRKT XCV 2012 AND ON (ALL YEARS) & CVS 2018 & ON (PRE-ASSEMBLED)	1				
OR							
10b	292740 02	RH ACTUATOR BRKT (1 NOTCH) CVS & RVS 2001-2017	1				
11a	292710 01	FOLDED ACTUATOR BRKT XCV 2012 AND ON (ALL YEARS) & CVS 2018 & ON (PRE-ASSEMBLED)	1				
OR							
11b	292740 01	LH ACTUATOR BRKT (1 NOTCH) CVS & RVS 2001-2017	1				
12	WSH-0019	PLAIN WASHER	1				
13	WSH-0018	PLAIN WASHER	1				
14	BLTA12350	HEX HD BOLT	1				
15	NUT-0270	NYLOC NUT	1				
16a	292737 01	BOLT ON STATIC CAM PLATE XCV 2012 AND ON (ALL YEARS) & CVS 2018 & ON (PRE-ASSEMBLED)	1				
OR							
16b	292739 01	BOLT ON STATIC CAM (1 NOTCH) CVS & RVS 2007-2017 CVS & RVS 2001-2006, WITHOUT ROTOR GEARBOX	1				
OR							
16c	292741 01	STATIC CAM PLATE (2 NOTCHES) CVS & RVS 2001-2006, WITH ROTOR GEARBOX	1				
17	292736 01	3 BOLT SPACER	1				
18	HSS-0153	HEX HD SET SCREW	3				
19	HSSA10500	HEX HD SET SCREW	3				

FOR ASSEMBLY INFORMATION
SEE VS DRIVE CAM & BEARING INSTRUCTIONS.
INSTRUCTIONAL VIDEO CAN BE FOUND AT
www.shelbourne.com

TIPS TO ASSIST IDENTIFYING YOUR MACHINE MODEL AND YEAR:

XCV- SPRUNG, PIVOTING ADAPTOR PLATE WITH GAUGE WHEELS AT REAR OF HEADER.
CVS & RVS - BOLTED ADAPTOR PLATE, BRACING TUBE ACROSS TOP OF MACHINE.

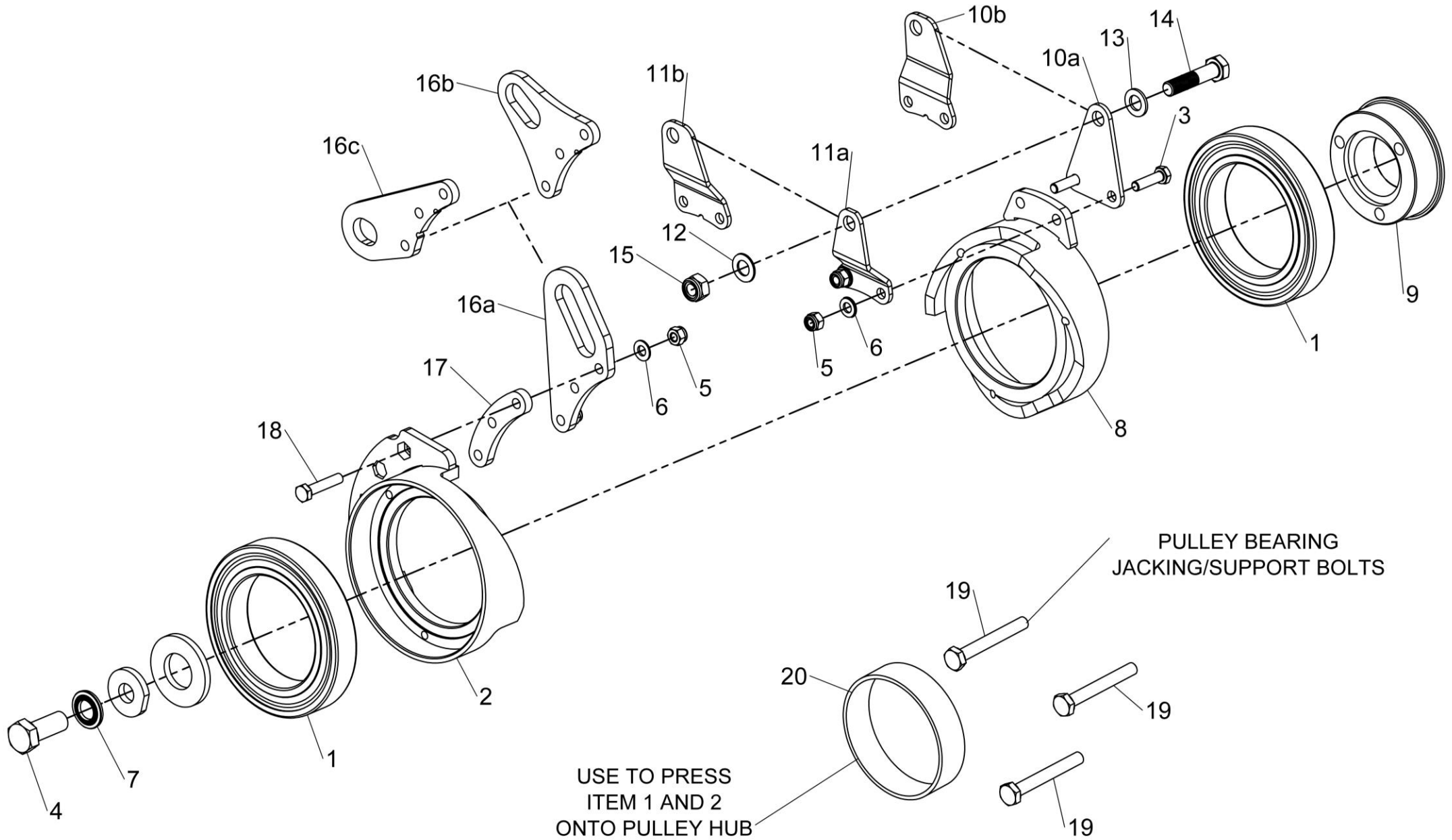
LOCATE SERIAL NUMBER ON THE REAR LH OR RH END OF THE MACHINE.

7 DIGIT SERIAL NUMBERS 2000-2009
EXAMPLE '2122843'

1ST 2ND & 3RD DIGITS ARE FACOTRY BUILD NUMBERS, 4TH & 5TH IS THE SIZE OF MACHINE IN FEET (28'), 6TH DIGIT IS A FACTORY MACHINE TYPE NUMBER & 7TH DIGIT IS YEAR OF MANUFACTURE (2003).

11 DIGIT SERIAL NUMBERS 2010 AND ON
EXAMPLE 'XCV42198964'

1ST, 2ND & 3RD LETTERS SHOW THE TYPE OF MACHINE (XCV), 4TH & 5TH DIGITS SHOW THE MACHINE SIZE (42'), 6TH & 7TH DIGIT SHOW THE MODEL YEAR (2019), REMAINING DIGITS ARE FACTORY BUILD NUMBERS.



USE TO PRESS
ITEM 1 AND 2
ONTO PULLEY HUB

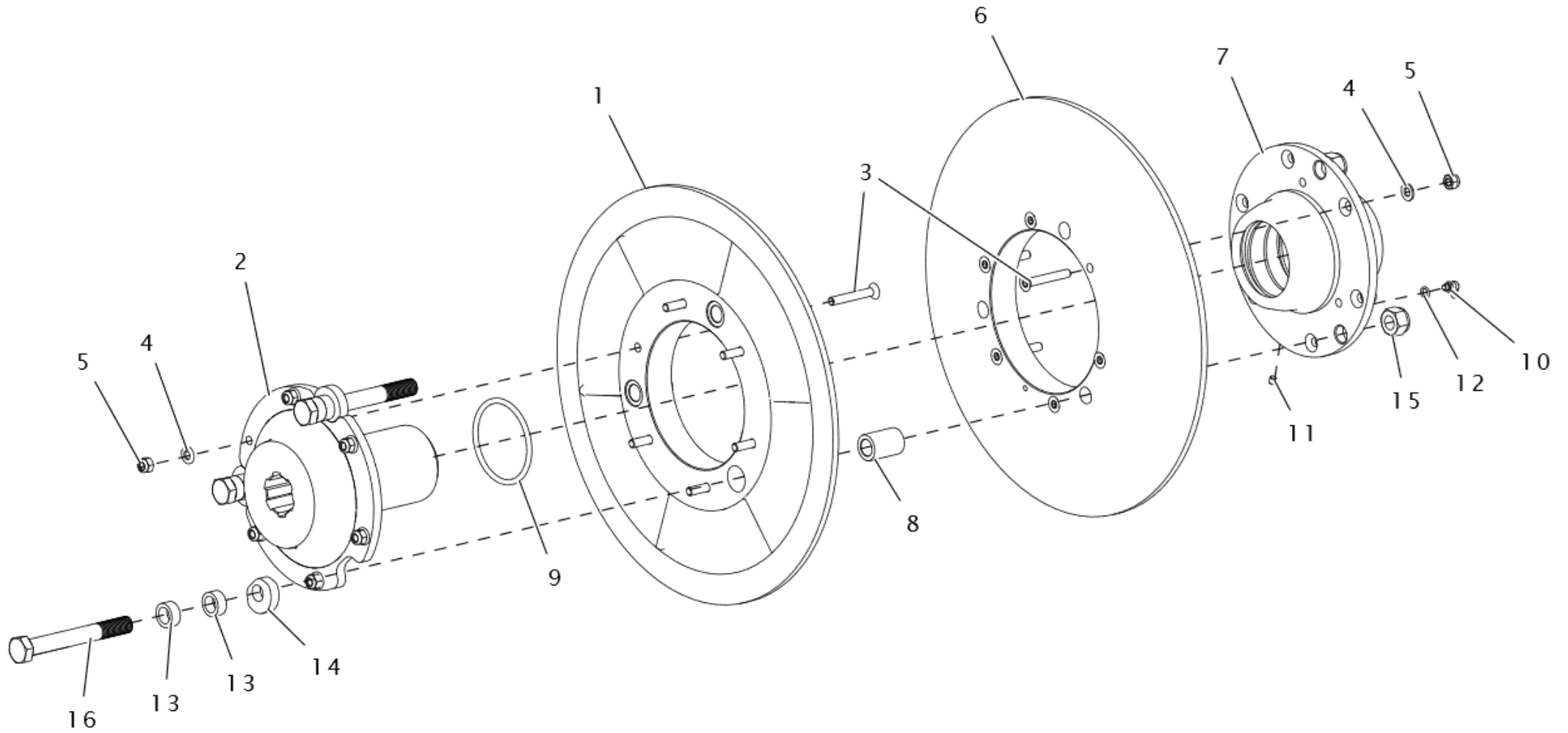
PULLEY BEARING
JACKING/SUPPORT BOLTS

KIT-01454



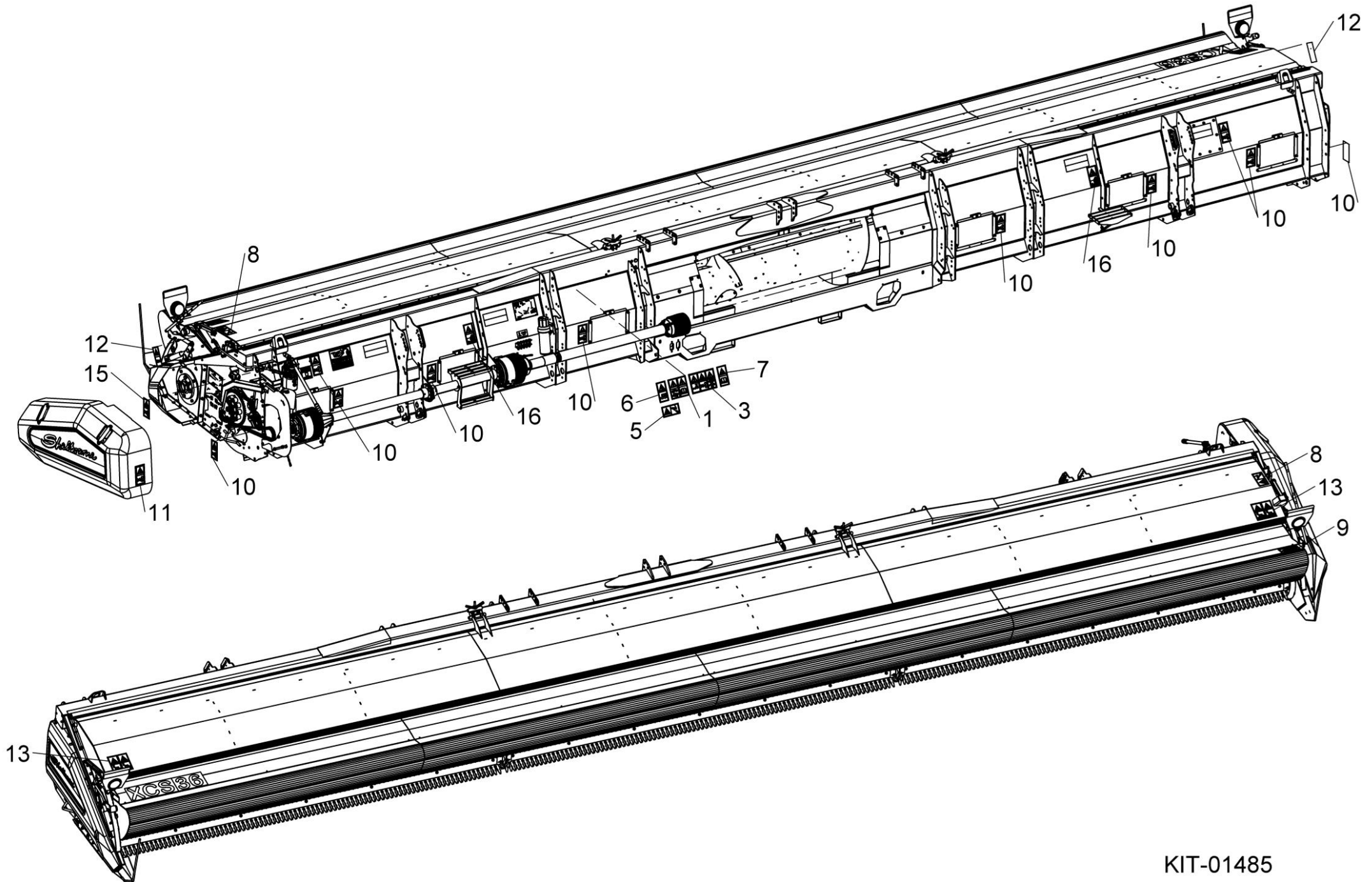
Shelbourne Reynolds Engineering Limited

ASSY NUMBER: KIT-01465				ASSY DESCRIPTION: REAR PULLEY ASSY (PIVOTING GEARBOX)			
ITEM	PART NO	DESCRIPTION	QTY	ITEM	PART NO	DESCRIPTION	QTY
1	198270 01	OUTER PULLEY HUB	1				
2	293100 01	OUTER REAR PULLEY	1				
3	SCEA08353	CSK SCREW	12				
4	WSH-0012	PLAIN WASHER	12				
5	NUT-0263	NYLOC NUT	12				
6	198271 01	INNER PULLEY	1				
7	293101 01	INNER PULLEY HUB	1				
8	293116 01	BUSH	3				
9	ORA300750	O RING	1				
10	NIP-00620	GREASE NIPPLE	1				
11	SCW-4528	GRUB SCREW	1				
12	ORA120080	O RING	1				
13	293120 01	PULLEY SPACER	6				
14	293119 01	V/S SPROCKET WASHER	3				
15	NUT-0875	NUT	3				
16	BLT-2334	BOLT	3				



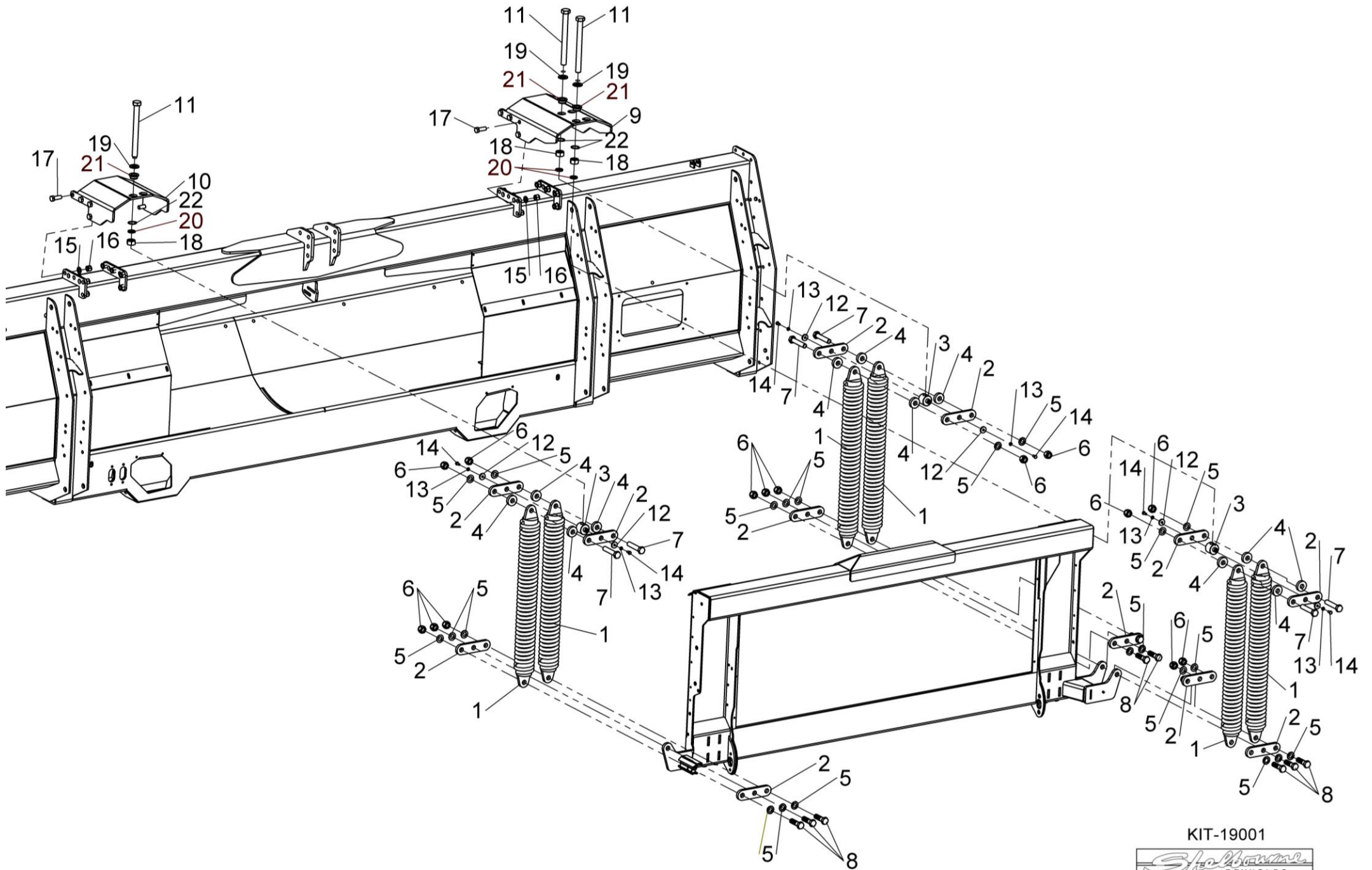
Shelbourne Reynolds Engineering Limited

ASSY NUMBER: KIT-01485				ASSY DESCRIPTION: SAFETY DECAL KIT ISO			
ITEM	PART NO	DESCRIPTION	QTY	ITEM	PART NO	DESCRIPTION	QTY
1	TNF-0011	EMBLEM - SAFETY MAINTENANCE	1				
2		OPERATORS MANUAL					
3	TNF-0012	EMBLEM - PTO GUARDS	1				
4		ROTOR/AUGER SPEED PTO CHAIN					
5	210435 01	EMBLEM - FEEDER HOUSE LOCK	1				
6	198847 01	EMBLEM - CLIMBING	1				
7	198846 01	EMBLEM - HIGH PRESSURE OIL	1				
8	210435 01	EMBLEM - HOOD LOCK	1				
9	198845 01	EMBLEM - CROP DEFLECTOR LOCK	1				
10	193393 01	EMBLEM - AUGER	10				
11	193392 01	EMBLEM - MOVING PARTS UNDER	2				
12	800215 01	EMBLEM - CROP DEFLECTOR HAND	2				
13	TNF-0010	EMBLEM - FLYING OBJECTS	2				
14		ROTOR ENTANGLEMENT					
15	193392 01	EMBLEM - MOVING PARTS	1				
16	293636 01	EMBLEM - DO NOT CLIMB/STEP WITH ENGINE RUNNING	2				



Shelbourne Reynolds Engineering Limited

ASSY NUMBER: KIT-19001				ASSY DESCRIPTION: SPRING TILT KIT			
ITEM	PART NO	DESCRIPTION	QTY	ITEM	PART NO	DESCRIPTION	QTY
1	198659 01	TILT SPRING	6				
2	198645 01	SPRING MOUNTING PLATE	12				
3	199670 01	SPRING ADJ BUSH (2014 & ON)	3				
OR	198646 01	SPRING ADJ BUSH (UPTO 2014)	3				
4	190548 98	SPACER	12				
5	WSH-0030	PLAIN WASHER	24				
6	NUTA02200	NYLOC NUT	15				
7	BLTA20560	BOLT	6				
8	BLT-2367	BOLT	9				
9	293543 01	TOP MOUNTING RH (2024 & ON)	1				
OR	199624 01	TOP MOUNTING RH (2014-2023)	1				
OR	198647 01	TOP MOUNTING RH (PRE 2014)	1				
10	293544 01	TOP MOUNTING LH (2024 & ON)	1				
OR	199623 01	TOP MOUNTING LH (2014-2023)	1				
OR	198648 01	TOP MOUNTING LH (UPTO 2014)	1				
11	HSSA24950	SET SCREW (2014 & ON)	3				
OR	HSSA20930	SET SCREW (UPTO 2014)	3				
12	190548 29	WASHER	6				
13	WSH-0058	SPRING WASHER	6				
14	HSS-0135	BOLT	6				
15	WSH-0024	PLAIN WASHER FORM A	16				
16	NUT-0271	NYLOC NUT	16				
17	HSS-0317	SET SCREW	16				
18	NUT-0190	PLAIN NUT (2014 & ON)	3				
OR	NUT-0185	PLAIN NUT (PRE 2014)	3				
19	WSH-0036	WASHER (2014 & ON)	3				
20	190548 62	WASHER (2014 & ON)	3				
21	199621 01	TOP HAT BUSH (2014 & ON)	3				
22	CIR020034	CIRCLIP (2014 & ON)	3				
23							
24	KIT-19035	TWIN SPRING SUB ASSY (ITEMS 1-8 & 12-14)					

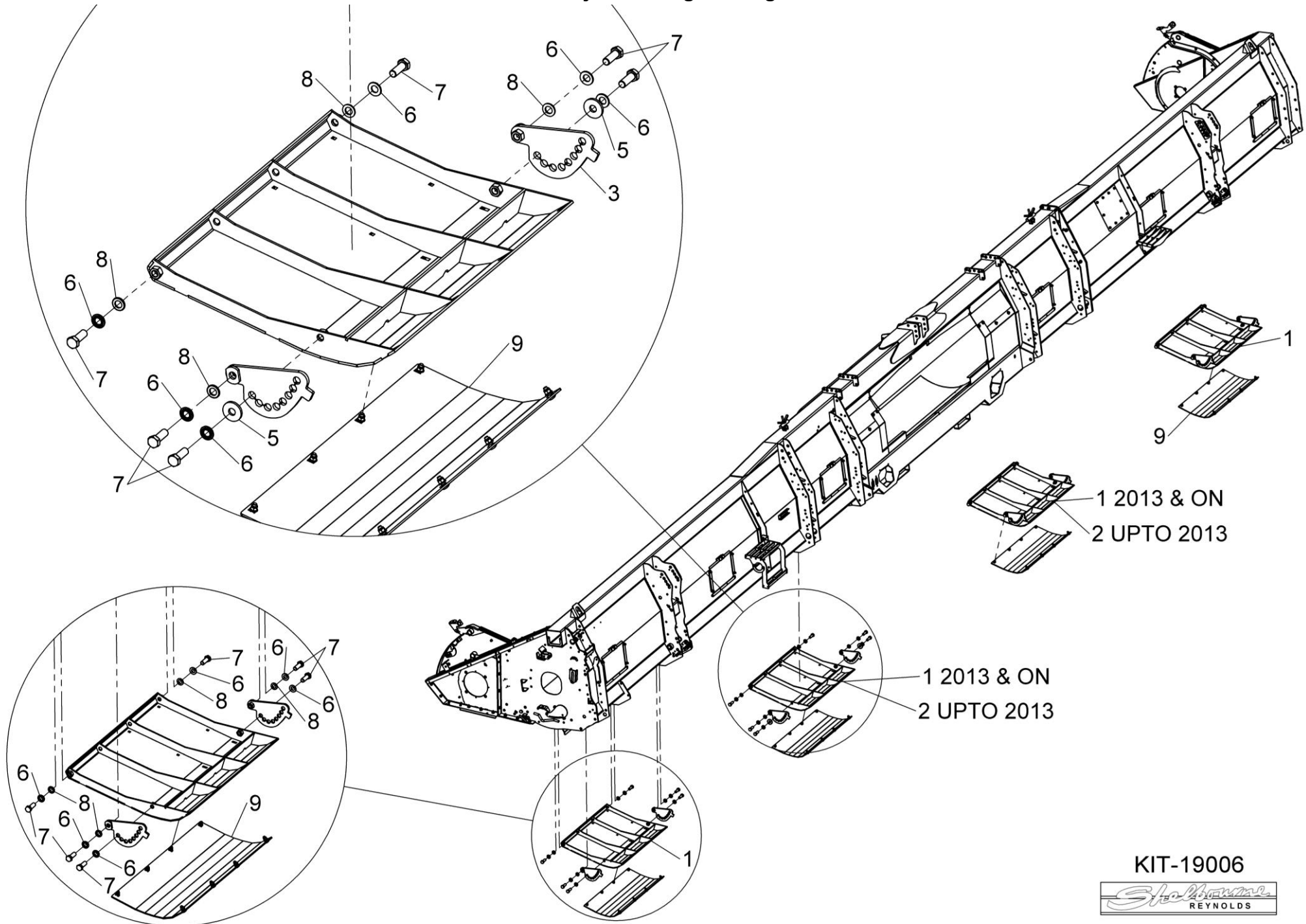


KIT-19001



Shelbourne Reynolds Engineering Limited

ASSY NUMBER: KIT-19006				ASSY DESCRIPTION: SKID KIT			
ITEM	PART NO	DESCRIPTION	QTY	ITEM	PART NO	DESCRIPTION	QTY
1	194395 01	SKID ASSY (2013 & ON)	4				
OR	194395 01	SKID ASSY (UPTO 2013)	2				
2	198703 01	SKID W/A (UPTO 2013)	2				
3	193828 01	SKID ADJUSTER LH	4				
4	193828 02	SKID ADJUSTER RH	4				
5	190119 07	WASHER (UPTO 2015)	8				
6	WSHA30161	LOCK WASHER (2019 & ON)	24				
OR	WSH-0070	SPRING WASHER (UP TO 2019)	24				
7	HSS-0317	SETSCREW	24				
8	WSH-0024	PLAIN WASHER (2015-2018)	24				
OR	WSH-0024	PLAIN WASHER (UPTO 2015)	16				
9	KIT-19114	STAINLESS SKID COVER KIT	A/R				
		SEE KIT-19114 PAGE FOR PARTS BREAKDOWN					

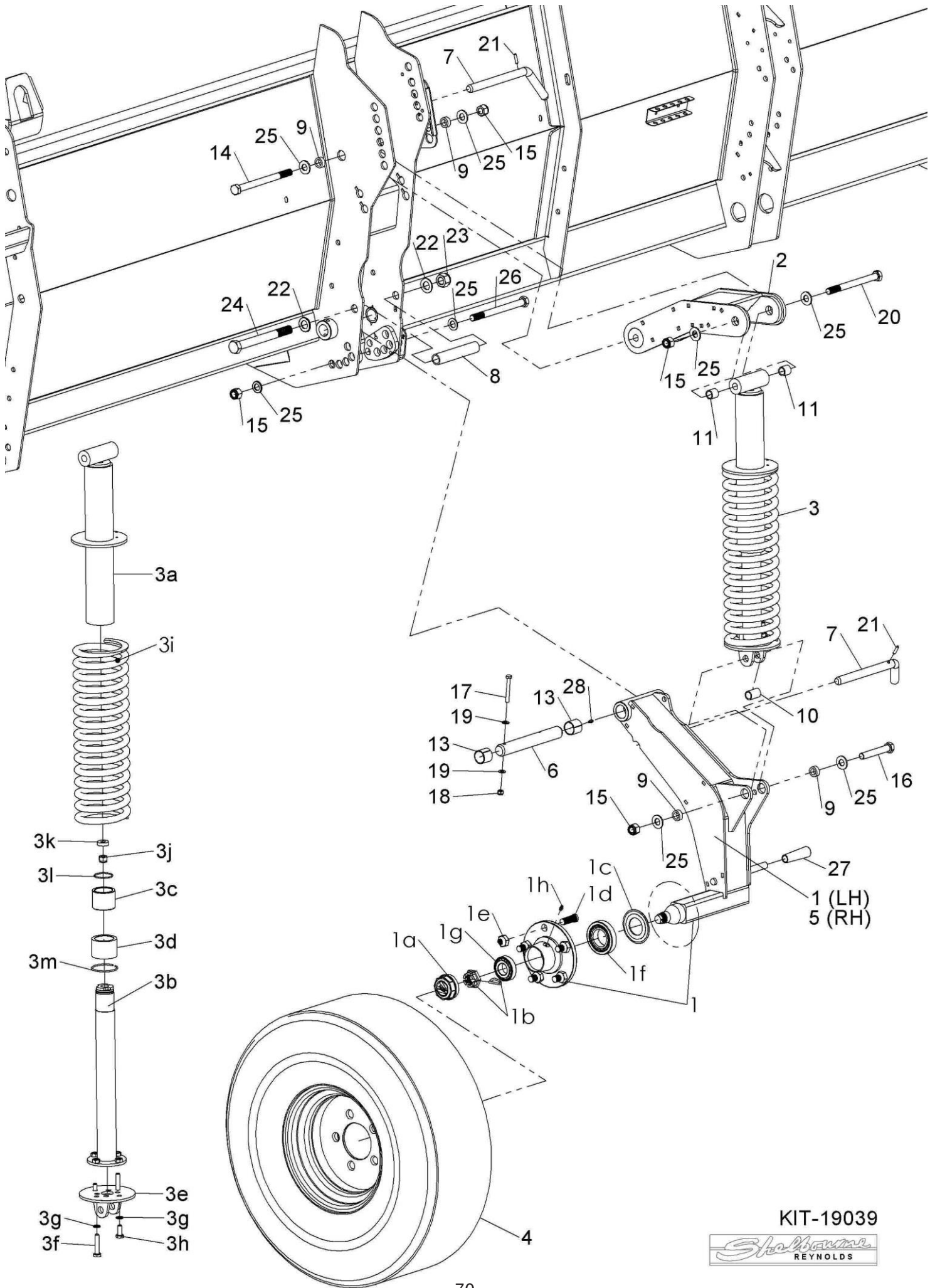


KIT-19006



Shelbourne Reynolds Engineering Limited

ASSY NUMBER: KIT-19039				ASSY DESCRIPTION: GAUGE WHEEL KIT (2018 & ON)			
ITEM	PART NO	DESCRIPTION	QTY	ITEM	PART NO	DESCRIPTION	QTY
1	290260 01	AXLE & ARM W/A	1	10	199457 01	SPACER TUBE	2
1a	AXL-10035	HUB CAP	(1)	11	193735 03	SPACER	4
1b	AXL-12591	CROWN NUT & SPRING CLIP	(1)	12			
1c	AXL-12010	OIL SEAL	(1)	13	BSH-3030	BUSH PLAIN	4
1d	AXL-15501	STUD	(5)	14	BLT-2350	BOLT	2
1e	AXL-12525	WHEEL NUT	(5)	15	NUT-0271	NYLOC NUT	8
1f	BRG-14540	INNER BEARING	(1)	16	BLT-2320	BOLT	2
1g	BRG-13040	OUTER BEARING	(1)	17	BLTA08410	BOLT	2
1h	NIP-00800	GREASE NIPPLE	(1)	18	NUT-0263	NYLOC NUT	2
2	199861 01	TOP ARM W/A	2	19	WSH-0012	PLAIN WASHER	4
3	KIT-19036	SPRING SLIDER SUB ASSY	2	20	BLTA16770	BOLT	2
OR	KIT-19036P	SLIDER SUB ASSY FOR SPARES, NOT INCLUDING ITEM 3i & 3e		21	PIN-1921	ROLL PIN	4
3a	290091 01	UPPER SPRING TUBE W/A	1	22	WSH-0030	PLAIN WASHER	4
3b	199909 01	LOWER SPRING TUBE W/A	1	23	NUTA02200	NYLOC NUT	2
3c	290093 01	EXTERNAL NYLUBE BUSH	1	24	BLTA20830	BOLT	2
3d	290094 01	INTERNAL NYLUBE BUSH	1	25	WSH-0024	PLAIN WASHER	16
3e	199930 01	SPRING MOUNTING BRACKET W/A	1	26	BLTA16810	BOLT	2
3f	HSS-0210	BOLT	2	27	HAN-2000	BLACK PLASTIC HANDLE	2
3g	WSH-0061	WASHER	4	28	NIP-00600	GREASE NIPPLE	2
3h	HSS-0191	BOLT	2				
3i	SPGC00099	COMPRESSION SPRING	1				
3j	NUT-0269	NYLOC NUT	1				
3k	198800 47	WASHER	1				
3l	CIR350045	45 DIA EXTERNAL SNAP RING	1				
3m	CIR340065	65 DIA INTERNAL SNAP RING	1				
4	WHL-01210	WHEEL & TYRE ASSY	2				
5	290260 02	AXLE & ARM W/A	1				
5a	AXL-10035	HUB CAP	(1)				
5b	AXL-12591	CROWN NUT & SPRING CLIP	(1)				
5c	AXL-12010	OIL SEAL	(5)				
5d	AXL-15501	STUD	(5)				
5e	AXL-12525	WHEEL NUT	(1)				
5f	BRG-14540	INNER BEARING	(1)				
5g	BRG-13040	OUTER BEARING	(1)				
5h	NIP-00800	GREASE NIPPLE	(1)				
6	198875 01	PIVOT PIN	2				
7	199089 01	LOCKING PIN	4				
8	199303 01	ARM HEIGHT STOP	2				
9	190548 99	WASHER	8				

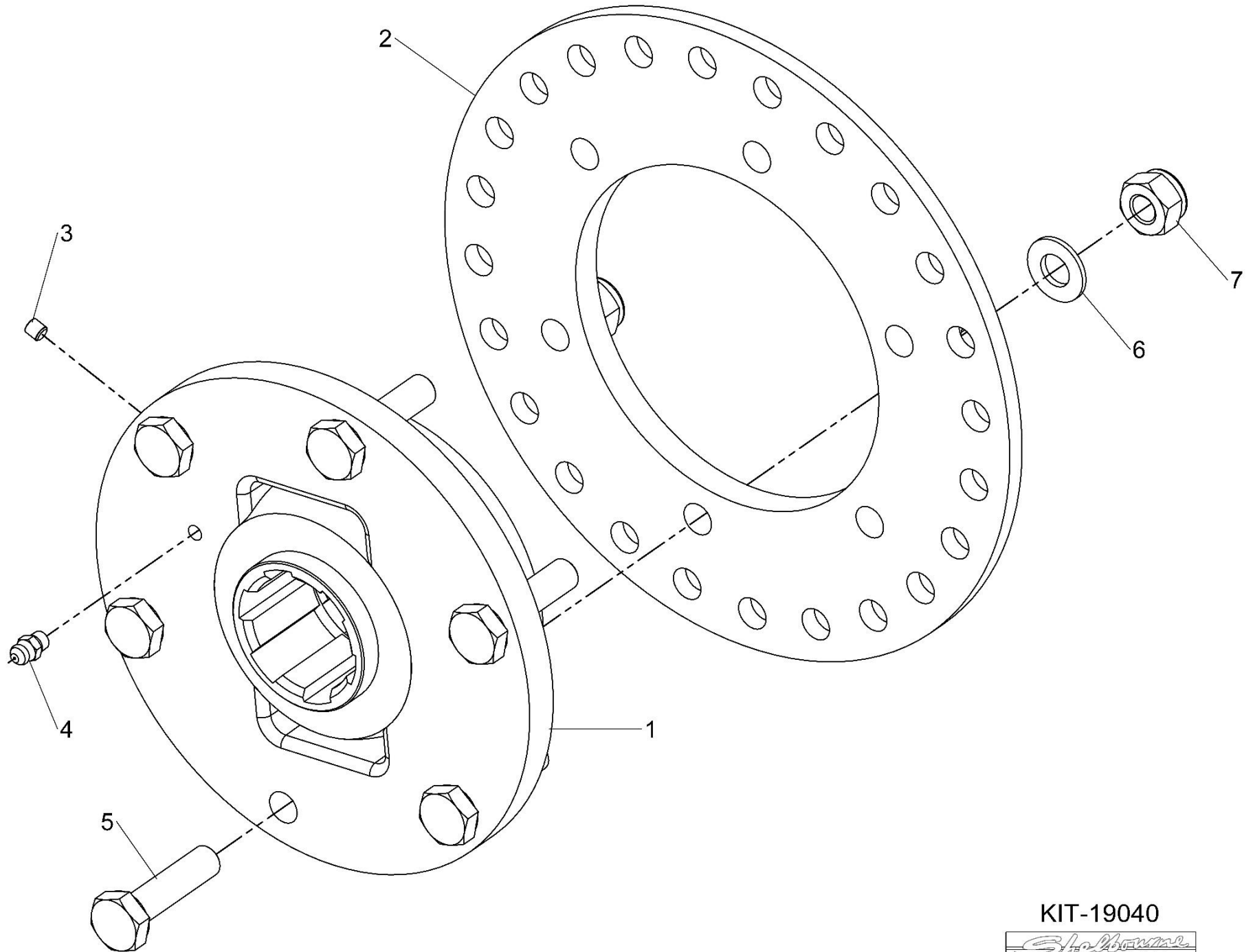


KIT-19039



Shelbourne Reynolds Engineering Limited

ASSY NUMBER: KIT-19040				ASSY DESCRIPTION: BALL JOINT COUPLING			
ITEM	PART NO	DESCRIPTION	QTY	ITEM	PART NO	DESCRIPTION	QTY
1	193115 07	BALL COUPLING ASSY	1				
2	290443 01	DRIVE RING PLATE	1				
3	SCW-4516	GRUB SCREW	1				
4	NIP-00600	GREASE NIPPLE (UPTO 2019)	1				
5	HSS-0202	BOLT	6				
6	WSH-0015	WASHER	6				
7	NUT-0265	NUT	6				

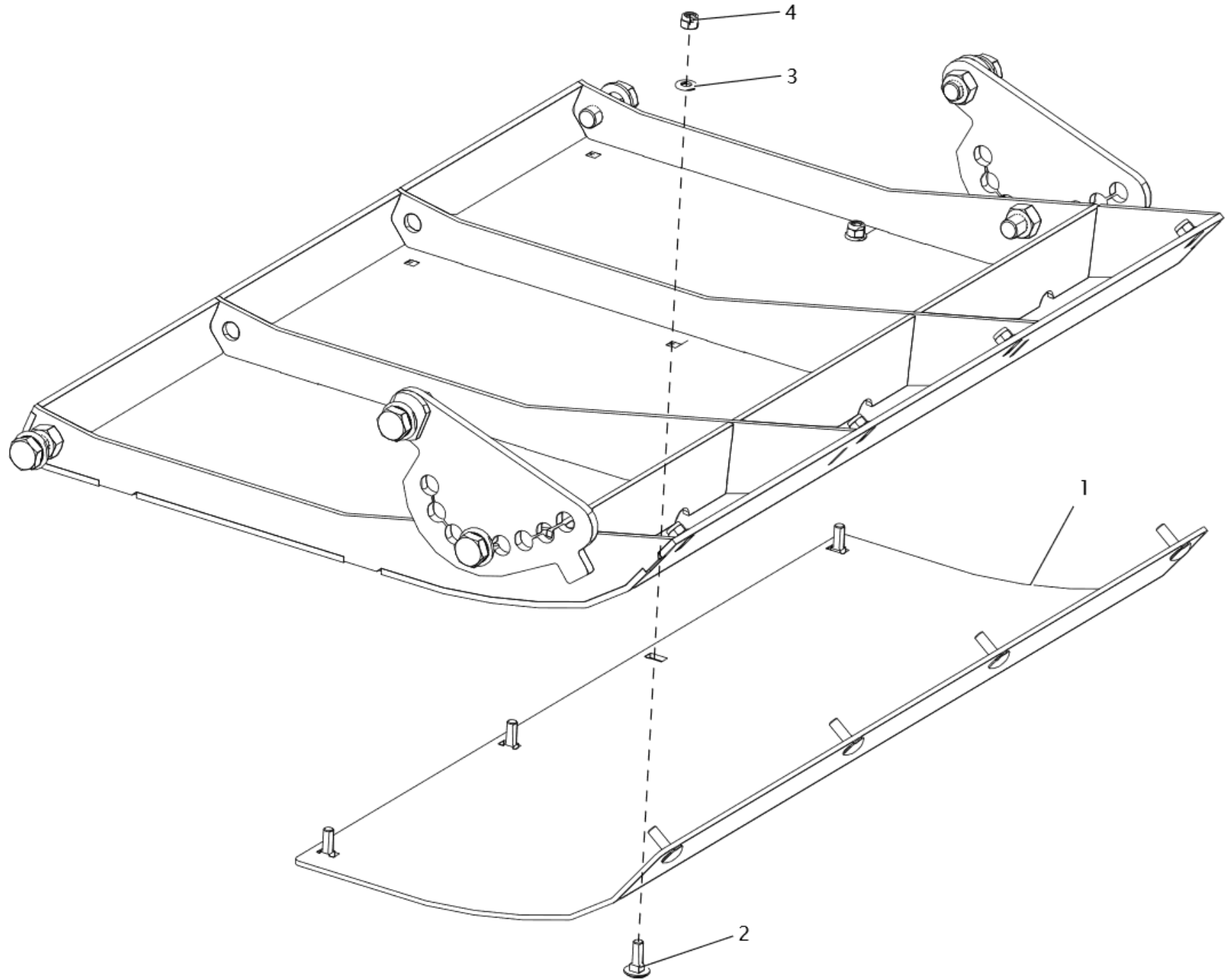


KIT-19040



Shelbourne Reynolds Engineering Limited

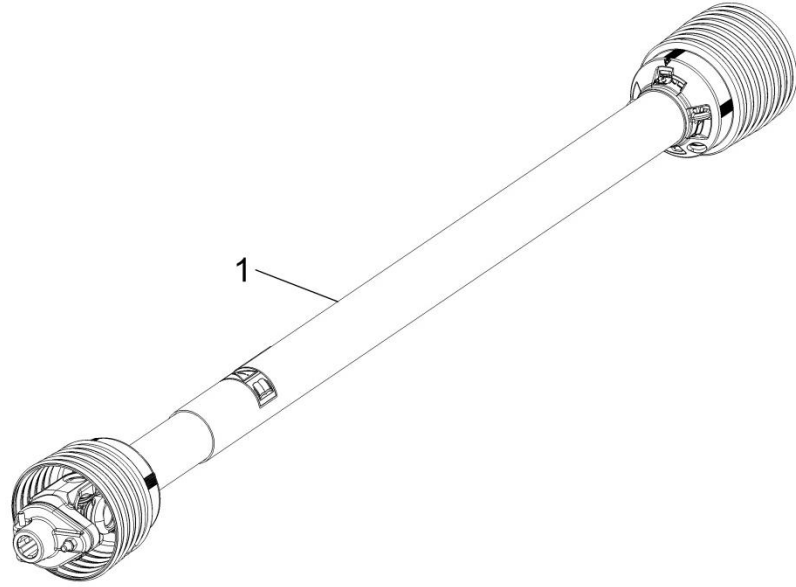
ASSY NUMBER: KIT-19114				ASSY DESCRIPTION: EXCEL STAINLESS SKID COVER KIT			
ITEM	PART NO	DESCRIPTION	QTY	ITEM	PART NO	DESCRIPTION	QTY
1	292040 02	STAINLESS SKID COVER	4				
2	BLTF08173	COACH BOLT	32				
3	WSH-0012	PLAIN WASHER	32				
4	NUT-0263	NYLOC NUT	32				



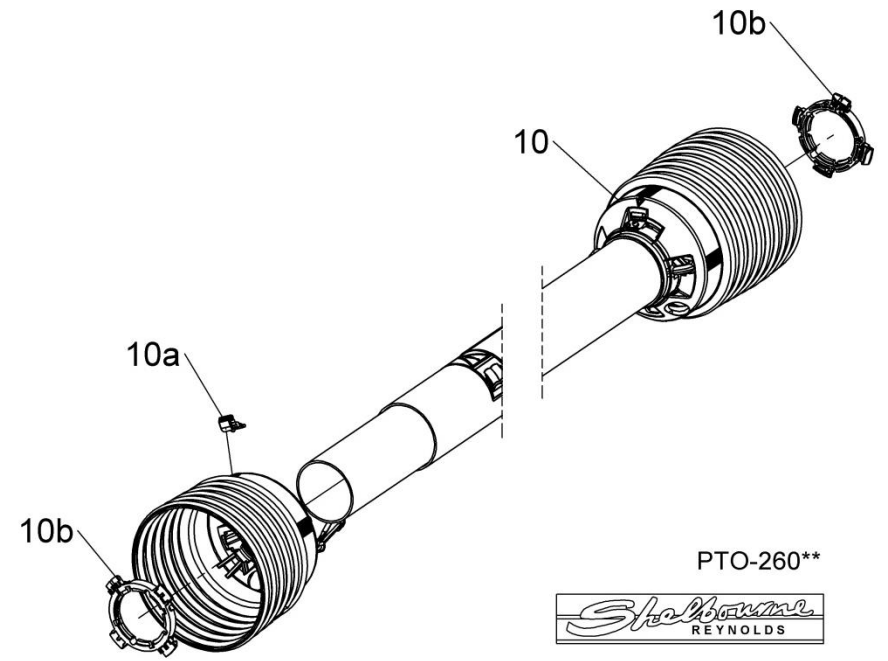
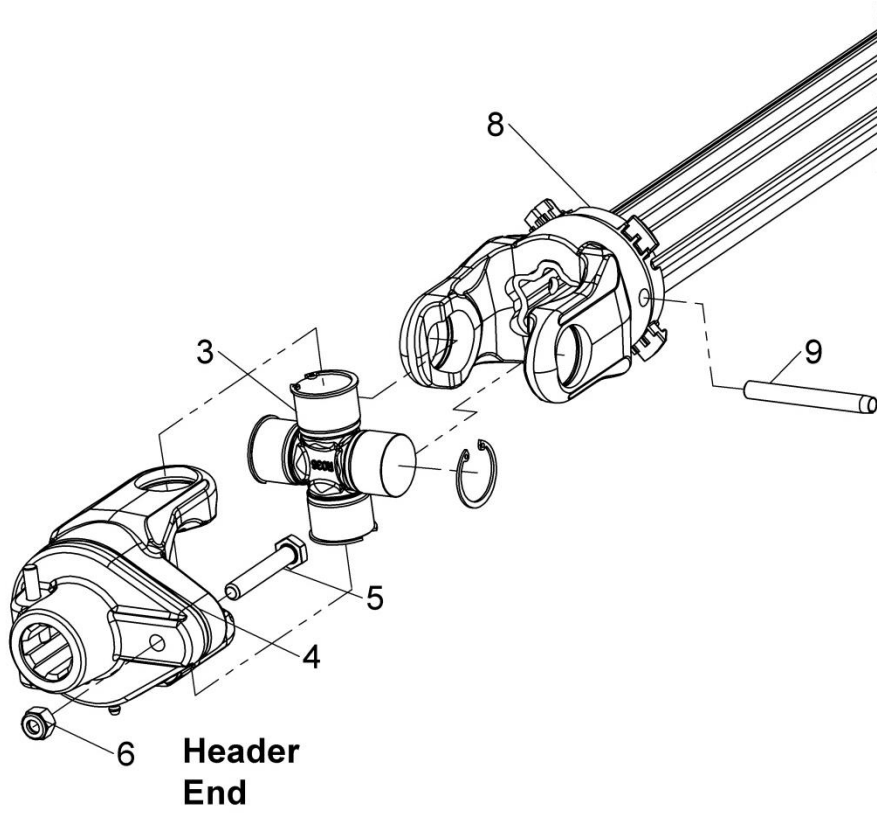
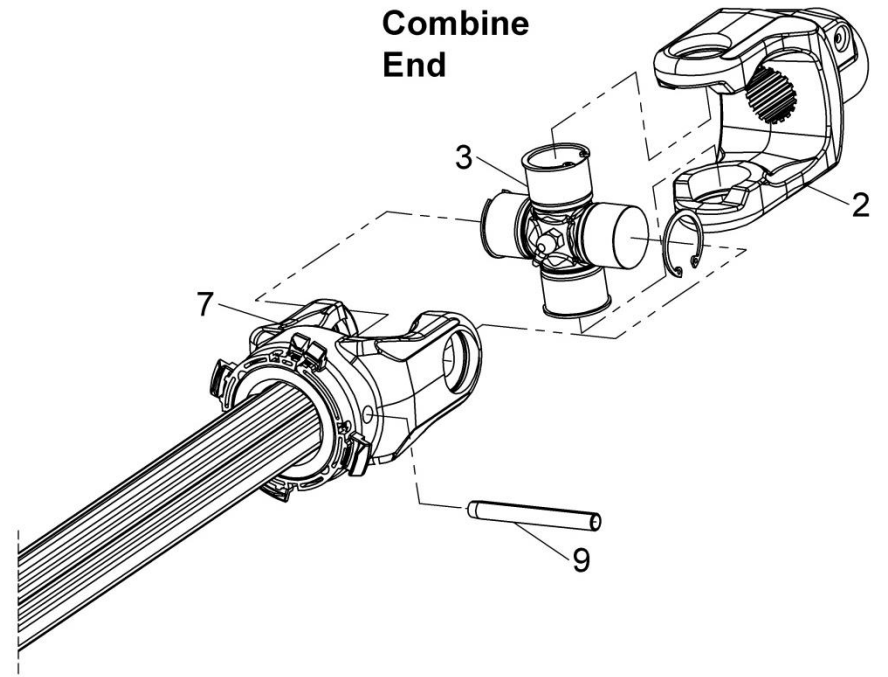
Shelbourne Reynolds Engineering Limited

ASSY NUMBER: PTO-260**				ASSY DESCRIPTION: STRIPPER PTO & PARTS			
ITEM	PART NO	DESCRIPTION	QTY	ITEM	PART NO	DESCRIPTION	QTY
1	PTO-26003WE	PTO SHAFT 1 $\frac{3}{8}$ " 21 SPLINE (WEAS)					
OR	PTO-26003	PTO SHAFT 1 $\frac{3}{8}$ " 21 SPLINE (WALT)					
OR	PTO-26004WE	PTO SHAFT 1 $\frac{3}{8}$ " 6 SPLINE (WEAS)					
OR	PTO-26004	PTO SHAFT 1 $\frac{3}{8}$ " 6 SPLINE (WALT)					
OR	PTO-26002WE	PTO SHAFT 1 $\frac{1}{8}$ " HEX SPL (WEAS)					
OR	PTO-26002	PTO SHAFT 1 $\frac{1}{8}$ " HEX SPL (WALT)					
2	PTO-00082WE	COMBINE END YOKE 1 $\frac{3}{8}$ " 21 SPLINE					
2a	PTO-00605	YOKE REPAIR KIT					
OR	PTO-00080WE	COMBINE END YOKE 1 $\frac{3}{8}$ " 6 SPLINE					
2a	PTO-00605	YOKE REPAIR KIT					
OR	PTO-00070WE	COMBINE END YOKE 1 $\frac{1}{8}$ " HEX SPL					
2a	PTO-00605	YOKE REPAIR KIT (NOT COLLAR)					
OR	PTO-00166	COMBINE END YOKE 8 SPL PUSHPIN					
OR	PTO-00166WA	COMBINE END YOKE 8 SPL COLLAR					
OR	PTO-00174	COMBINE END YOKE 1 $\frac{3}{4}$ " 20 SPLINE					
OR	PTO-00177	COMBINE END YOKE 1 $\frac{3}{4}$ " 6 SPLINE					
OR	PTO-00180	FORAGER END YOKE 1 $\frac{1}{2}$ " 23 SPLINE					
3	PTO-00083	CROSS JOINT BEARING KIT					
4	PTO-00119WE	SHEAR BOLT CLUTCH					
OR	PTO-00119	SHEAR BOLT CLUTCH					
5	BLTA10384	SHEAR BOLT					
6	NUT-0265	NYLOC NUT					
7	PTO-00089	INBOARD YOKE (COMBINE) (WALT)					
8	PTO-00090	INBOARD YOKE (HEADER) (WALT)					
9	PIN-1926	ROLL PIN (M10x90) (WALT)					
OR		ROLL PIN (M10x85) (WEAS)					
10	PTO-00093WE	GUARD ASSY C/W BEARINGS (WEAS)					
10a	PTO-00968	RED GUARD CLIPS (WEASLER)					
10b	PTO-00178	GUARD BRG & SCREW SET (WALT)					
OR	PTO-00601	GUARD BEARING SET (WEASLER)					
OR	PTO-00093	GUARD ASSY C/W BEARINGS (WALT)					

WEAS = WEASLER
WALT = WALTERSCHEID



Combine End



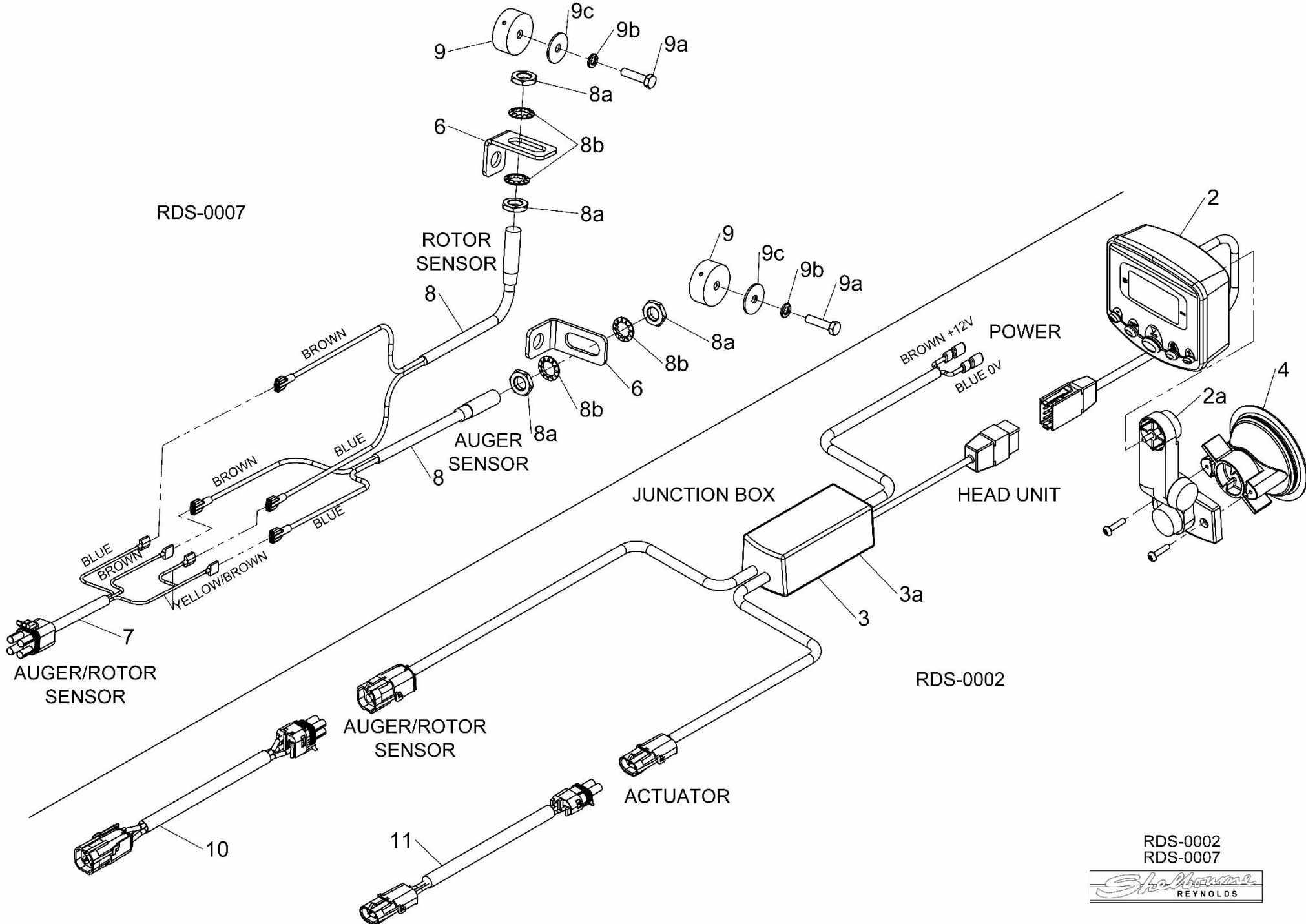
PTO-260**



Shelbourne Reynolds Engineering Limited

ASSY NUMBER: RDS-0002 & RDS-0007				ASSY DESCRIPTION: RDS EQUIPMENT VARIABLE SPEED			
ITEM	PART NO	DESCRIPTION	QTY	ITEM	PART NO	DESCRIPTION	QTY
1	RDS-0002	COMBINE TACHO HEAD KIT & LOOM V/S DRIVE, INC ITEMS 2 & 3	1				
2	RDS-0027	TACHO HEAD, INC ITEM 2a	1				
2a	RDS-0029	TACHO HEAD FIX.ARM KIT					
3	RDS-0028	JUNCTION BOX/COMBINE LEAD (VS)	1				
3a	FUS-00026	FUSE (15 AMP BLADE)					
4	LCL-01249	RAM MOUNT SUCTION CUP	1				
5	RDS-0007	HEADER LOOM & SENSOR KIT (SD) INC ITEMS 6,7,8 & 9	1				
6	198323 01	SENSOR BRACKET (SLOTTED)	2				
7	RDS-0017	HEADER LEAD	1				
8	RDS-0018	SHAFT SENSOR,INC ITEMS 8a & 8b	2				
8a	RDS-0018A	PLAIN NUT					
8b	WSHA20121	SHAKEPROOF WASHER					
9	RDS-0020	MAGNET CARRIER	2				
9a	HSS-0088	SET SCREW					
9b	WSH-0056	SPRING WASHER					
9c	WSH-1036	PENNY WASHER					
10	291913 01	AUGER/ROTOR SENSOR LOOM EXTENSION (8m)	A/R				
11	291912 01	ACTUATOR LOOM EXTENSION (8m)	A/R				

Shelbourne Reynolds Engineering Limited



RDS-0007

RDS-0002

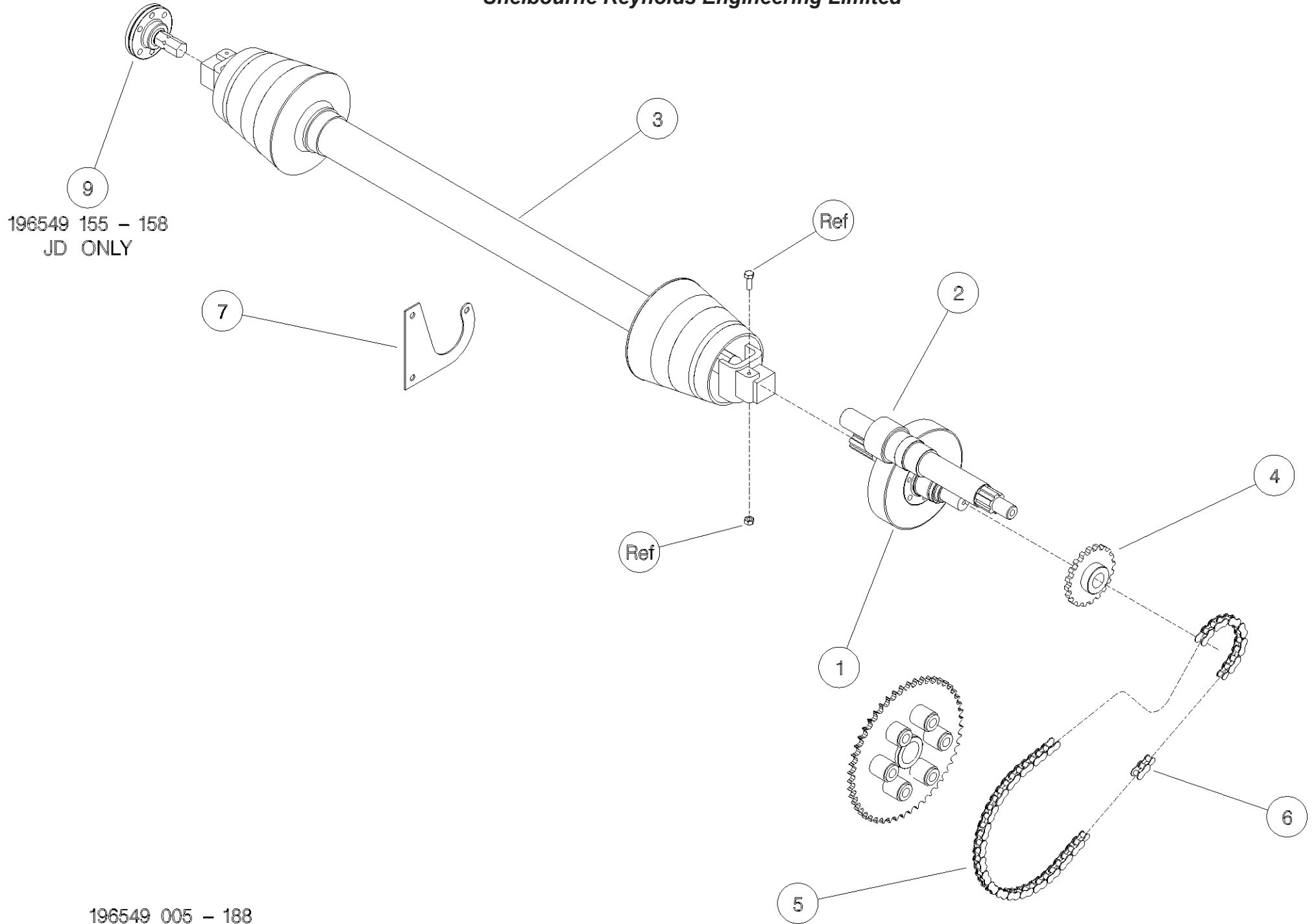
RDS-0002
RDS-0007



Drives

Shelbourne Reynolds Engineering Limited

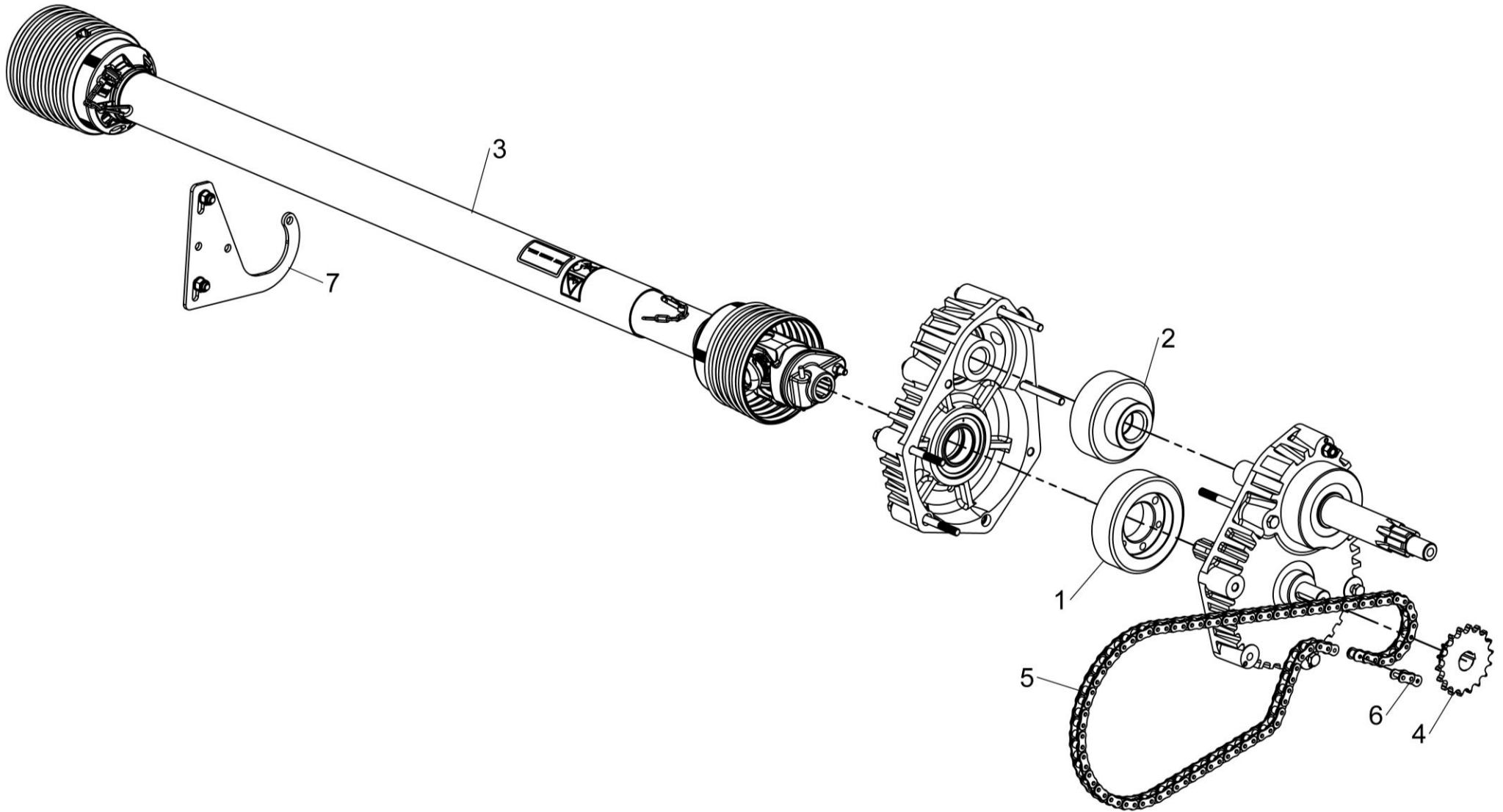
ASSY NUMBER: 196549 128				ASSY DESCRIPTION: DRIVE KIT CNH CVS/RVS/RSD/Excel (22-42')			
ITEM	PART NO	DESCRIPTION	QTY	ITEM	PART NO	DESCRIPTION	QTY
	192592 07	INPUT GEAR (45t) WITH ROTOR GEARBOX	1				
1B/E	192592 13	INPUT GEAR (33t) (2015 & ON) WITHOUT ROTOR GEARBOX	1				
OR	192592 11	INPUT GEAR (35t) (UPTO 2015) WITHOUT ROTOR GEARBOX	1				
2A	193599 07	PINION (24t) WITH ROTOR GEARBOX	1				
2B	193599 11	PINION (34t) WITHOUT ROTOR GEARBOX	1				
2E	198999 13	PINION (36t) (2015 & ON) GEARBOX WITH 65mm SHAFT	1				
OR	198999 11	PINION (34t) (UPTO 2015) GEARBOX WITH 65mm SHAFT	1				
3	PTO-26004WE	PTO	1				
3a	PTO-00080WE	PTO YOKE-COMBINE (COLLAR)					
OR	PTO-00080	PTO YOKE-COMBINE (PUSH PIN)					
3b	PTO-00083	PTO CROSS BEARING					
3c	PTO-00119	PTO SHEAR BOLT CLUTCH-HEADER					
3d	PTO-00093WE	PTO GUARD ASSY (BLACK)					
OR	PTO-00093	PTO GUARD ASSY (YELLOW)					
3e	PTO-00968	EASY LOCK GUARD CLIPS (RED)					
3g	BLTA10384	SHEARBOLT					
3h	NUT-0265	NYLOC NUT					
4	192768 16	SPROCKET (15t) (2015 & ON)	1				
OR	192768 04	SPROCKET (16t) (UPTO 2015)	1				
5	CHN-01991	CHAIN (99 LINKS PLUS JOINER)	1				
5a	CHN-01901	JOINING LINK					
6	CHN-01910	HALF LINK	A/R				
7	KIT-00931	PTO SUPPORT KIT	1				



196549 005 - 188

Shelbourne Reynolds Engineering Limited

ASSY NUMBER: 196549 168				ASSY DESCRIPTION: DRIVE KIT AGCO CVS/RVS/RSD/Excel (22-42')			
ITEM	PART NO	DESCRIPTION	QTY	ITEM	PART NO	DESCRIPTION	QTY
1A	192592 07	INPUT GEAR (45t) WITH ROTOR GEARBOX	1				
1B/E	192592 13	INPUT GEAR (33t) (2015 & ON) WITHOUT ROTOR GEARBOX	1				
OR	192592 11	INPUT GEAR (35t) (UP TO 2015) WITHOUT ROTOR GEARBOX	1				
2A	193599 07	PINION (24t) WITH ROTOR GEARBOX	1				
2B	193599 11	PINION (34t) WITHOUT ROTOR GEARBOX	1				
2E	198999 13	PINION (36t) (2015 & ON) GEARBOX WITH 65mm SHAFT	1				
OR	198999 11	PINION (34t) (UP TO 2015) GEARBOX WITH 65mm SHAFT	1				
3	PTO-26001WE	PTO SHAFT	1				
3a	PTO-00082WE	PTO YOKE-COMBINE (COLLAR)					
OR	PTO-00082	PTO YOKE-COMBINE (PUSH PIN)					
3b	PTO-00083	PTO CROSS BEARING					
3c	PTO-00119	PTO SHEAR BOLT CLUTCH-HEADER					
3d	PTO-00093WE	PTO GUARD ASSY (BLACK)					
OR	PTO-00093	PTO GUARD ASSY (YELLOW)					
3e	PTO-00968	EASY LOCK GUARD CLIPS (RED)					
3g	BLTA10384	SHEARBOLT					
3h	NUT-0265	NYLOC NUT					
4	192768 16	SPROCKET	1				
5	CHN-01991	CHAIN (99 LINKS PLUS JOINER)	1				
5a	CHN-01901	JOINING LINK					
6	CHN-01910	HALF LINK	A/R				
7	KIT-00931	PTO SUPPORT KIT	1				

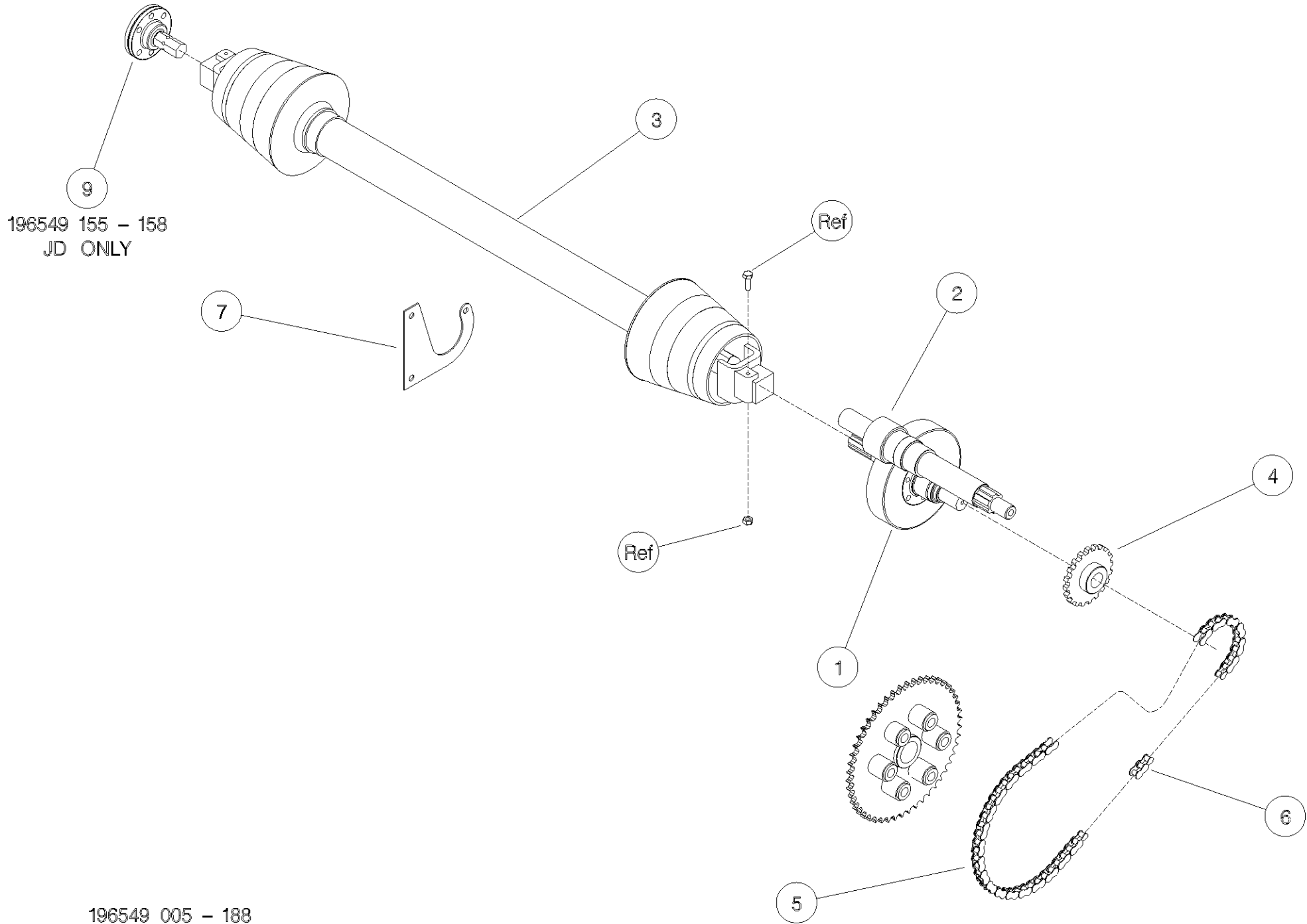


196549 168



Shelbourne Reynolds Engineering Limited

ASSY NUMBER: 196549 178				ASSY DESCRIPTION: DRIVE KIT JD CVS/RVS/RSD/Excel (22'-42')			
ITEM	PART NO	DESCRIPTION	QTY	ITEM	PART NO	DESCRIPTION	QTY
1A	192592 06	INPUT GEAR (47t) WITH ROTOR GEARBOX	1				
1B/E	192592 09	INPUT GEAR (37t) WITHOUT ROTOR GEARBOX	1				
2A	193599 06	PINION (22t) WITH ROTOR GEARBOX	1				
2B	193599 09	PINION (32t) WITHOUT ROTOR GEARBOX	1				
2E	198999 09	PINION (32t) GEARBOX WITH 65mm SHAFT	1				
3	PTO-26001WE	PTO	1				
3a	PTO-00082WE	PTO YOKE-COMBINE (COLLAR)					
OR	PTO-00082	PTO YOKE-COMBINE (PUSH PIN)					
3b	PTO-00083	PTO CROSS BEARING					
3c	PTO-00119	PTO SHEAR BOLT CLUTCH-HEADER					
3d	PTO-00093WE	PTO GUARD ASSY (BLACK)					
OR	PTO-00093	PTO GUARD ASSY (YELLOW)					
3e	PTO-00968	EASY LOCK GUARD CLIPS (RED)					
3g	BLTA10384	SHEARBOLT					
3h	NUT-0265	NYLOC NUT					
4	192768 18	SPROCKET	1				
5	CHN-01991	CHAIN (99 LINKS PLUS JOINER)	1				
5a	CHN-01901	JOINING LINK					
6	CHN-01910	HALF LINK	A/R				
7	KIT-00931	PTO SUPPORT KIT	1				

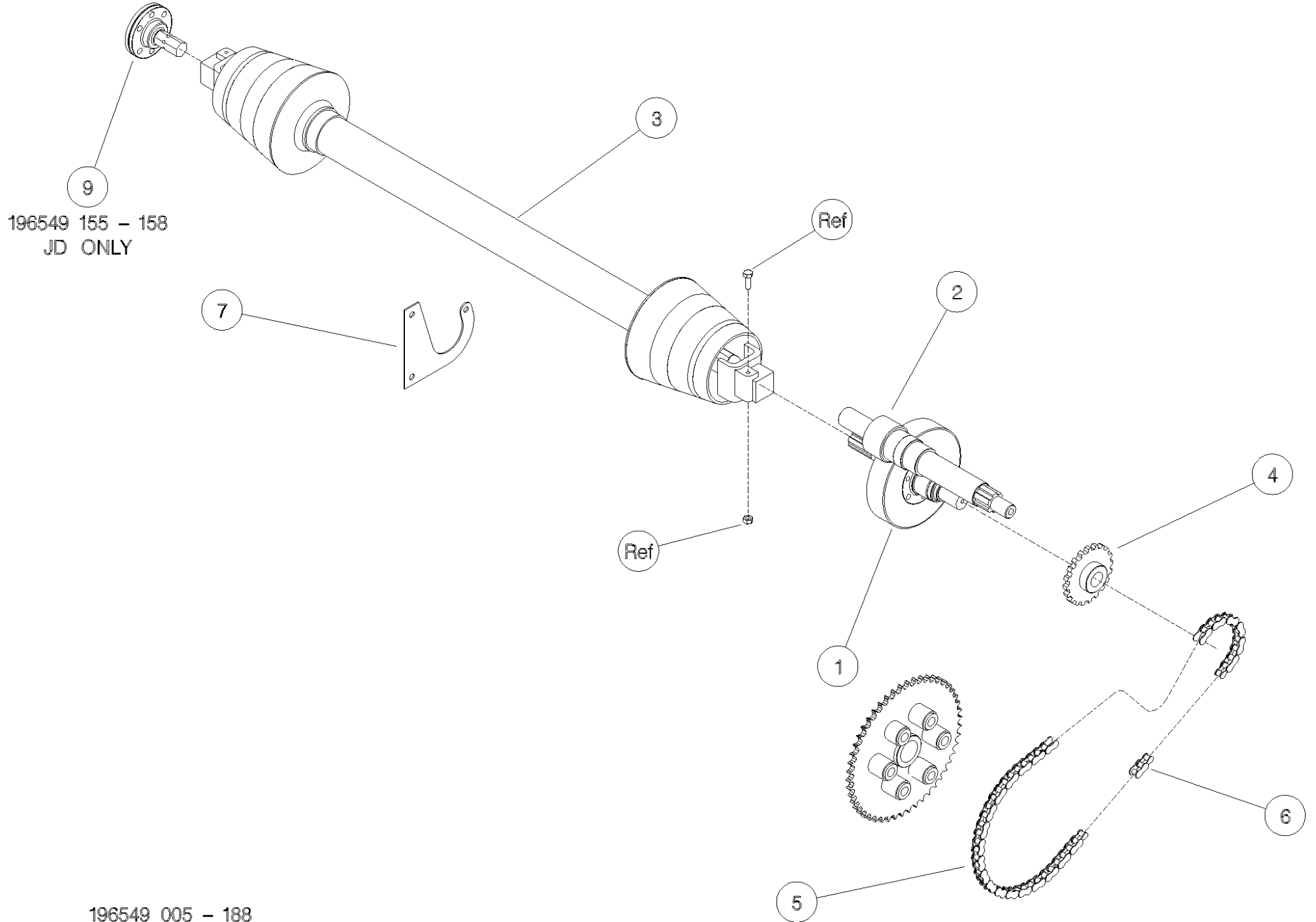


196549 155 - 158
JD ONLY

196549 005 - 188

Shelbourne Reynolds Engineering Limited

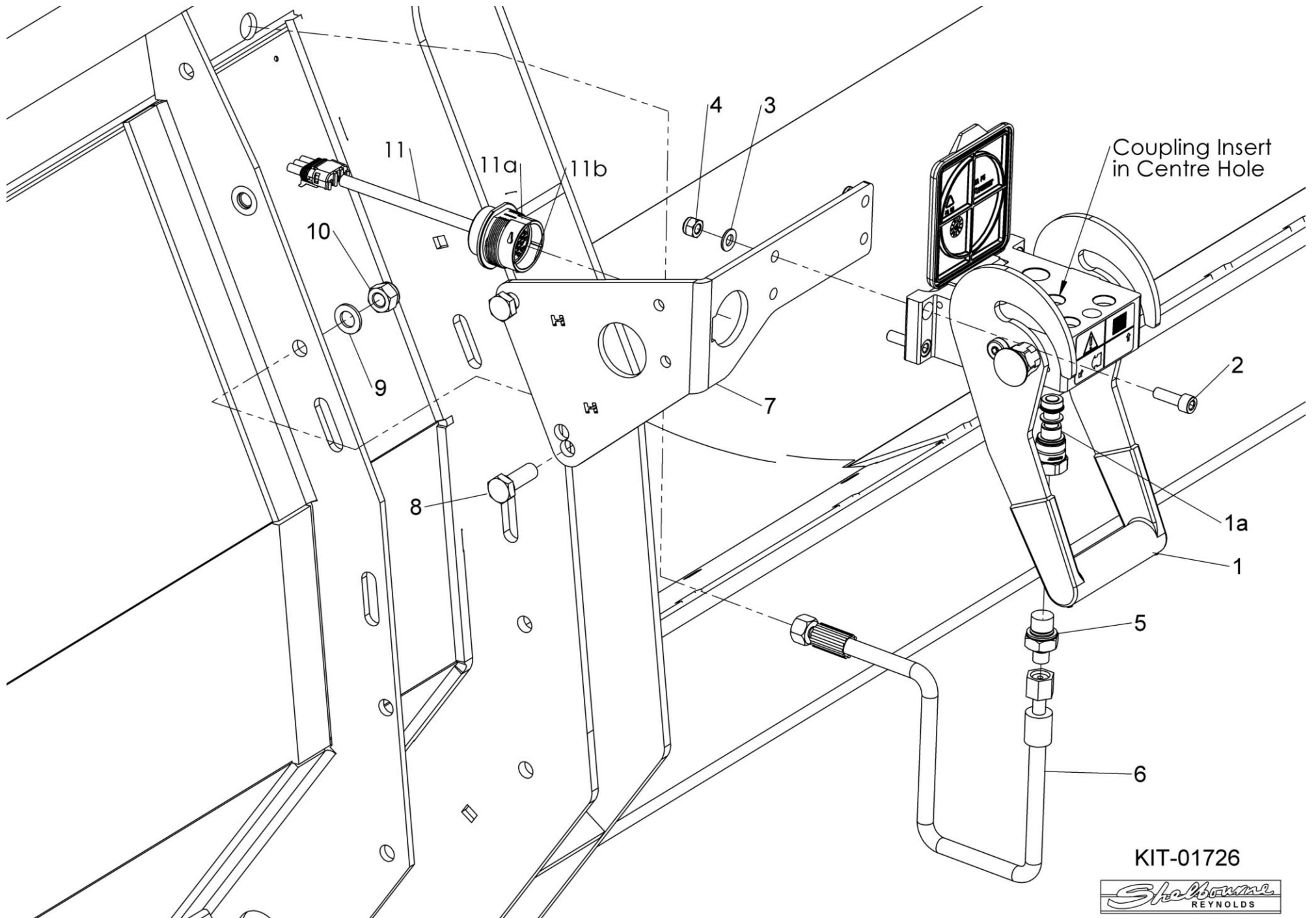
ASSY NUMBER: 196549 188				ASSY DESCRIPTION: DRIVE KIT CLAAS LEX C/RVS/RSD/Excel (22-42)			
ITEM	PART NO	DESCRIPTION	QTY	ITEM	PART NO	DESCRIPTION	QTY
1A	192592 01	INPUT GEAR (42t) WITH ROTOR GEARBOX	1				
1B	192592 09	INPUT GEAR (37t) WITHOUT ROTOR GEARBOX	1				
1D/E	192592 13	INPUT GEAR (33t) WITHOUT ROTOR GEARBOX	1				
2A	193599 01	PINION (27t) WITH ROTOR GEARBOX	1				
2B	193599 09	PINION (32t) WITHOUT ROTOR GEARBOX	1				
2D	193599 13	PINION (36t) WITHOUT ROTOR GEARBOX	1				
2E	198999 13	PINION (36t) GEARBOX WITH 65mm SHAFT	1				
3	PTO-26003WE	PTO (COLLAR YOKE)	1				
OR	PTO-26001WE	PTO (PUSH PIN)					
3a	PTO-00082WE	PTO YOKE-COMBINE (COLLAR)					
OR	PTO-00082	PTO YOKE-COMBINE (PUSH PIN)					
3b	PTO-00083	PTO CROSS BEARING					
3c	PTO-00119	PTO SHEAR BOLT CLUTCH-HEADER					
3d	PTO-00093WE	PTO GUARD ASSY (BLACK)					
OR	PTO-00093	PTO GUARD ASSY (YELLOW)					
3e	PTO-00968	EASY LOCK GUARD CLIPS (RED)					
3g	BLTA10384	SHEARBOLT					
3h	NUT-0265	NYLOC NUT					
4	192768 08	SPROCKET	1				
5	CHN-01991	CHAIN (99 LINKS PLUS JOINER)	1				
5a	CHN-01901	JOINING LINK					
6	CHN-01910	HALF LINK	A/R				
7	KIT-00931	PTO SUPPORT KIT	1				



Hydraulics

Shelbourne Reynolds Engineering Limited

ASSY NUMBER: KIT-01726				ASSY DESCRIPTION: CNH HYDRAULIC MULTICOUPLER KIT			
ITEM	PART NO	DESCRIPTION	QTY	ITEM	PART NO	DESCRIPTION	QTY
1	HQR-95010	FASTER MULTI COUPLER	1				
1a	HQR-15025	FEM COUPLING INSERT					
1b	HQR-95040	SPARE RED BUTTON KIT					
2	SCW-0136	HT CAP HEAD SCREW	4				
3	WSH-0012	PLAIN WASHER	4			COUPLING INSERT (ITEM 1a)	
4	NUT-0263	NYLOC NUT	4			FITS INTO CENTRE HOLE	
5	HAPAK0425	HYD RESTRICTOR	1				
6	HHAC07910	HYDRAULIC HOSE ASSY	1				
7	199711 01	MULTICOUPLER MTG PLT	1				
8	HSS-0241	SETSCREW	2				
9	WSH-0018	PLAIN WASHER	2				
10	NUT-0269	NYLOC NUT	2				
11	197040 01	LIGHT PLUG (IF LIGHTS FITTED)					
11a	ECN-09060	SPARE LOCK WASHER					
11b	ECN-09050	SPARE PANEL NUT					

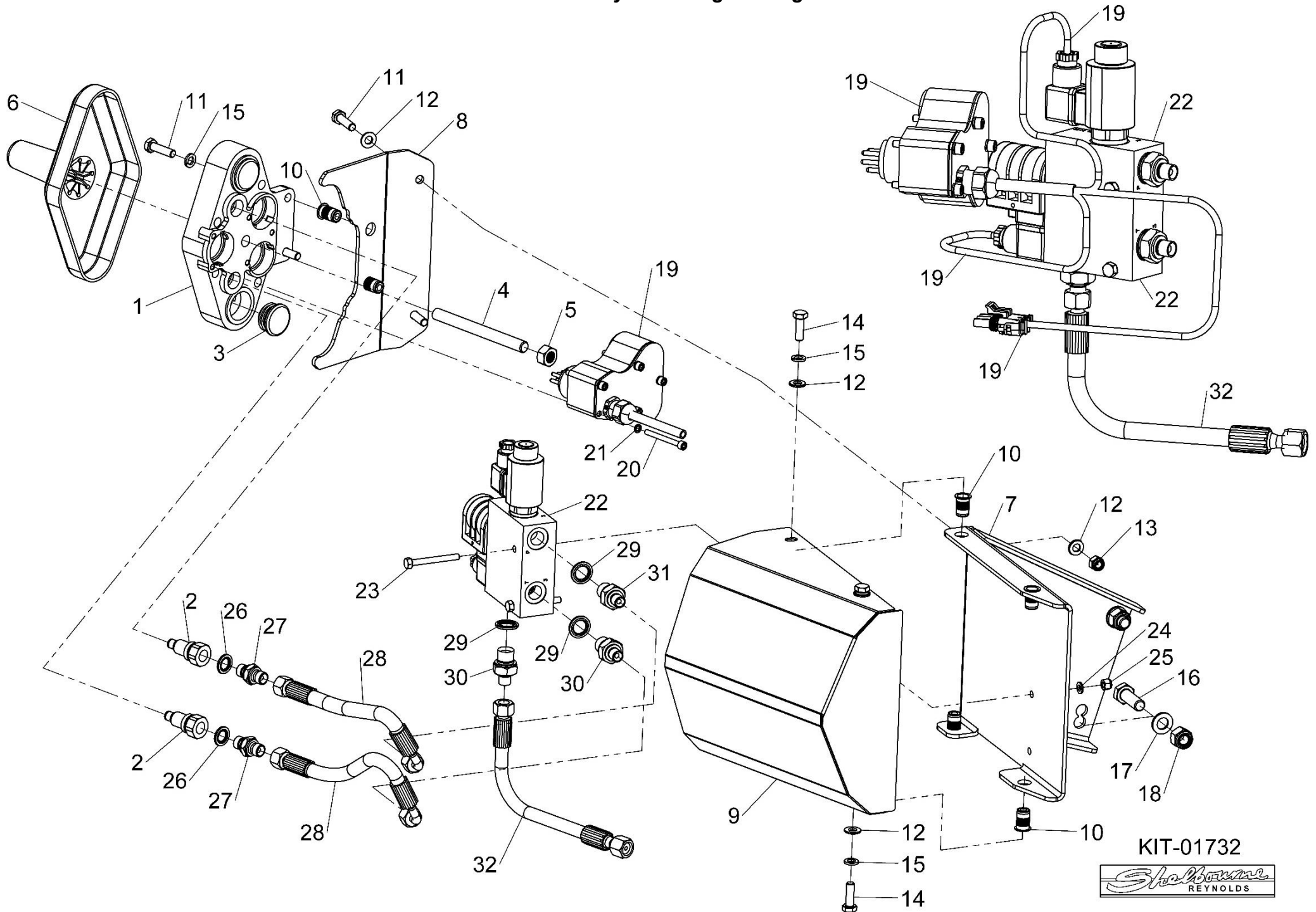


KIT-01726



Shelbourne Reynolds Engineering Limited

ASSY NUMBER: KIT-01732				ASSY DESCRIPTION: CLAAS LEXION HYD MULTICOUPLER KIT			
ITEM	PART NO	DESCRIPTION	QTY	ITEM	PART NO	DESCRIPTION	QTY
1	CHP-05041	MULTICOUPLER HOUSING	1				
2	CHP-05042	MALE HYD COUPLING	2				
3	PTF-00134	PLASTIC CAP INSERT	2				
4	290835 01	THREADED ROD	1				
5	NUT-0170	PLAIN NUT	1				
6	CHP-05045	COUPLING COVER	1				
7	290883 01	VALVE PLATE	1				
8	290884 01	COUPLER PLATE	1				
9	290885 01	COVER	1				
10	NUTA13087	NUTSERT	6				
11	HSS-0150	SET SCREW	4				
12	WSH-0012	WASHER	8				
13	NUT-0263	NYLOC NUT	2				
14	HSS-0145	SET SCREW	4				
15	WSH-0058	SPRING WASHER	6				
16	HSS-0241	SETSCREW	2				
17	WSH-0018	PLAIN WASHER	2				
18	NUT-0269	NYLOC NUT	2				
19	195076 01	WIRE LOOM ASSY	1				
20	SCCA05323	CAP SOCKET HEAD SCREW	5				
21	WSH-0054	SPRING WASHER	5				
22	HVB-12506	DUAL SOLENOID CONTROL VALVE	1				
23	BLTA06350	HEX.HEAD BOLT	2				
24	WSH-0009	PLAIN WASHER	2				
25	NUT-0260	NYLOC NUT	2				
26	WSH-1005	DOWTY WASHER	2				
27	HMA-0052	FITTING	2				
28	HHBC02505	HYDRAULIC HOSE ASSY	2				
29	WSH-1010	DOWTY WASHER	3				
30	FIT-0025	FITTING	2				
31	HAPAA0405	RESTRICTOR.	1				
32	HHAC07910	HYDRAULIC HOSE ASSY	1				

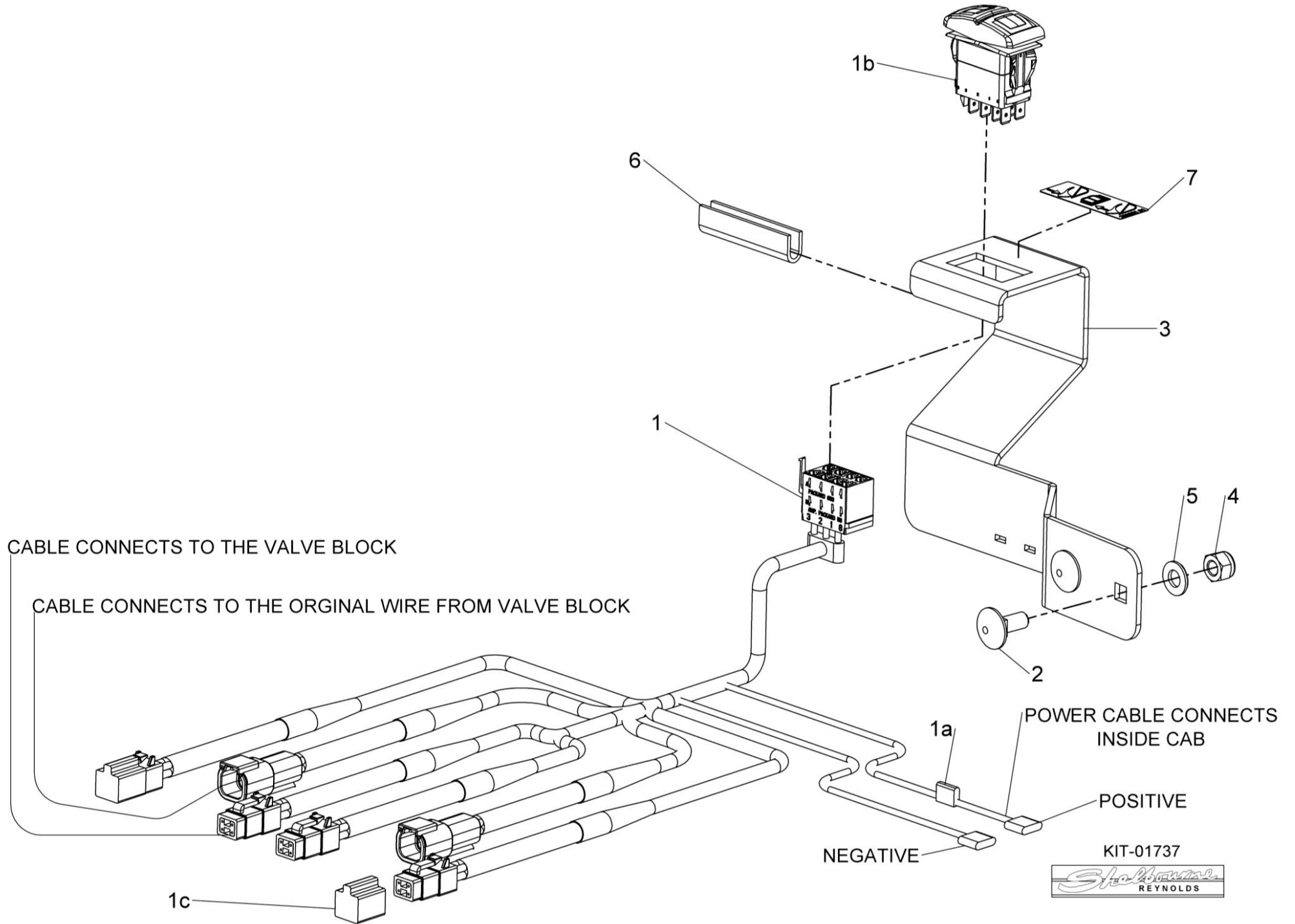


KIT-01732



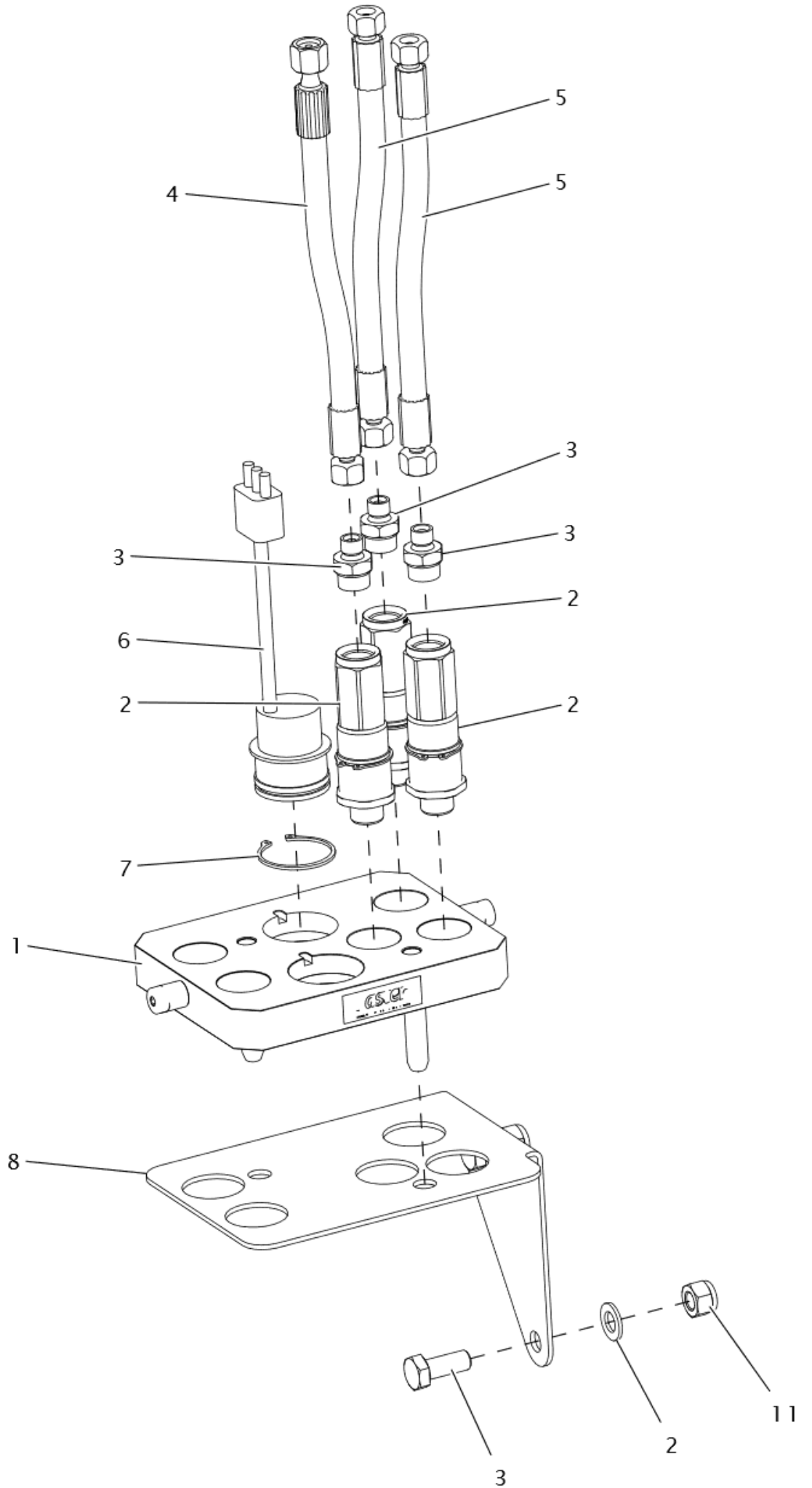
Shelbourne Reynolds Engineering Limited

ASSY NUMBER: KIT-01737				ASSY DESCRIPTION: JD X9 HYD LOOM KIT			
ITEM	PART NO	DESCRIPTION	QTY	ITEM	PART NO	DESCRIPTION	QTY
1	292995 01	JD X9 HYD LOOM	1				
1a	FUS-0022	FUSE	1				
1b	SWT-00520	SWITCH	1				
1c	DIO-01005	LOOM CAP	2				
2	BLT-4710	COACH BOLT	2				
3	292986 01	SWITCH PLATE	1				
4	NUT-0263	NYLOC NUT	2				
5	WSH-0012	PLAIN WASHER	2				
6	EDS-11400	PVC EDGING STRIP	0.06m				
7	293081 01	CROP DEFLECTOR SWITCH STICKER	1				



Shelbourne Reynolds Engineering Limited

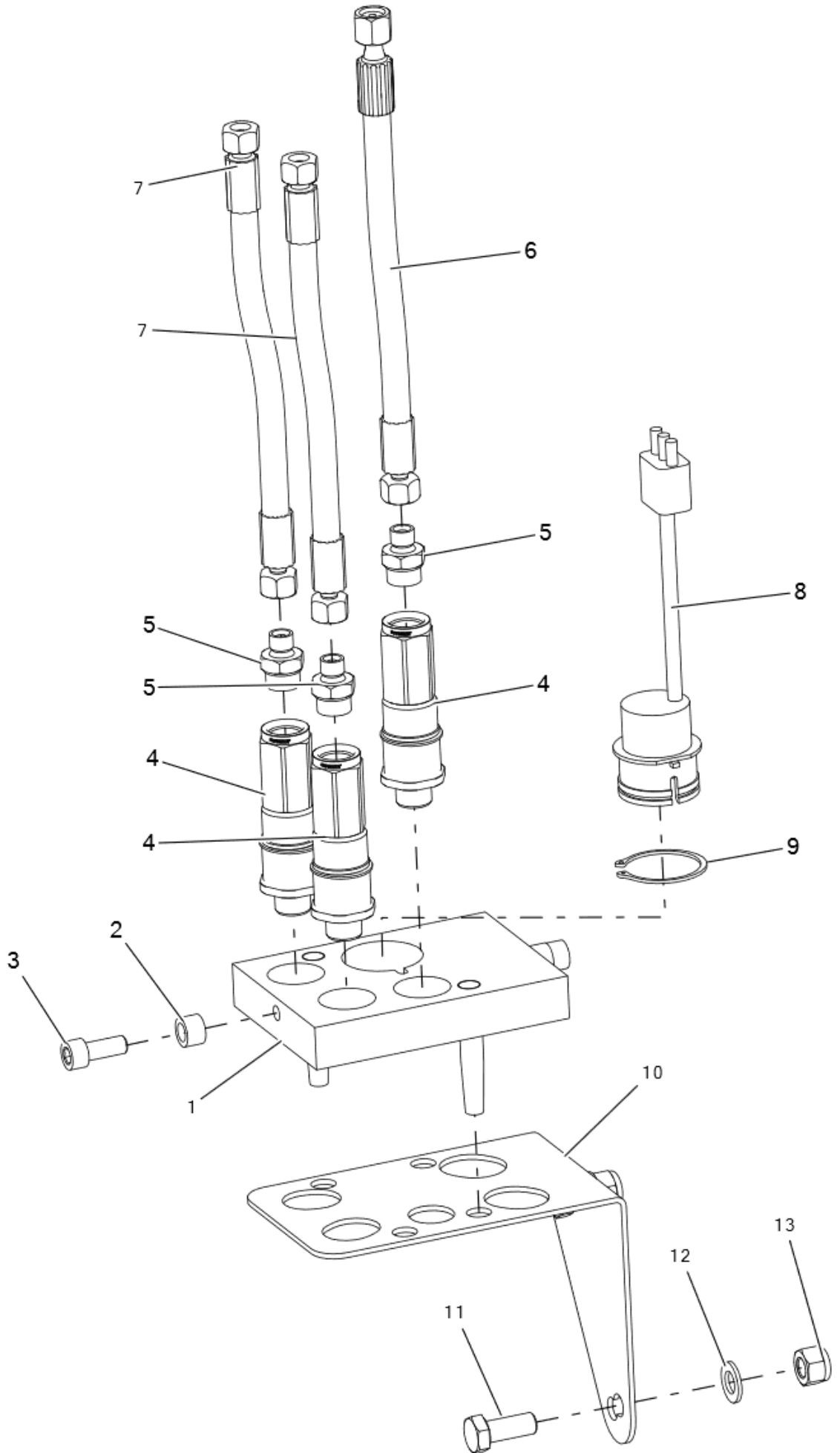
ASSY NUMBER: KIT-01740			ASSY DESCRIPTION: AGCO IDEAL HYD MULTICOUPLER KIT (PIVOT G BOX VS)				
ITEM	PART NO	DESCRIPTION	QTY	ITEM	PART NO	DESCRIPTION	QTY
1	HQR-93100	IDEAL MULTICOUPLER PLATE	1				
2	HQR-13026A	COUPLER (SMALL) c/w CIRCLIP	3				
3	HAAAK0327	HYD ADAPT	3				
4	HHAC10010	HYD HOSE	1				
5	HHAC07905	HYD HOSE	2				
6	198278 01	AGCO LOOM & PLUG ASSY	A/R				
7	CIR-0450	EXT CIRCLIP	A/R				
8	292127 01	PARKING BRACKET	1				
9	HSS-0238	SET SCREW	2				
10	WSH-0018	PLAIN WASHER	2				
11	NUT-0269	NYLOC NUT	2				



KIT-01740

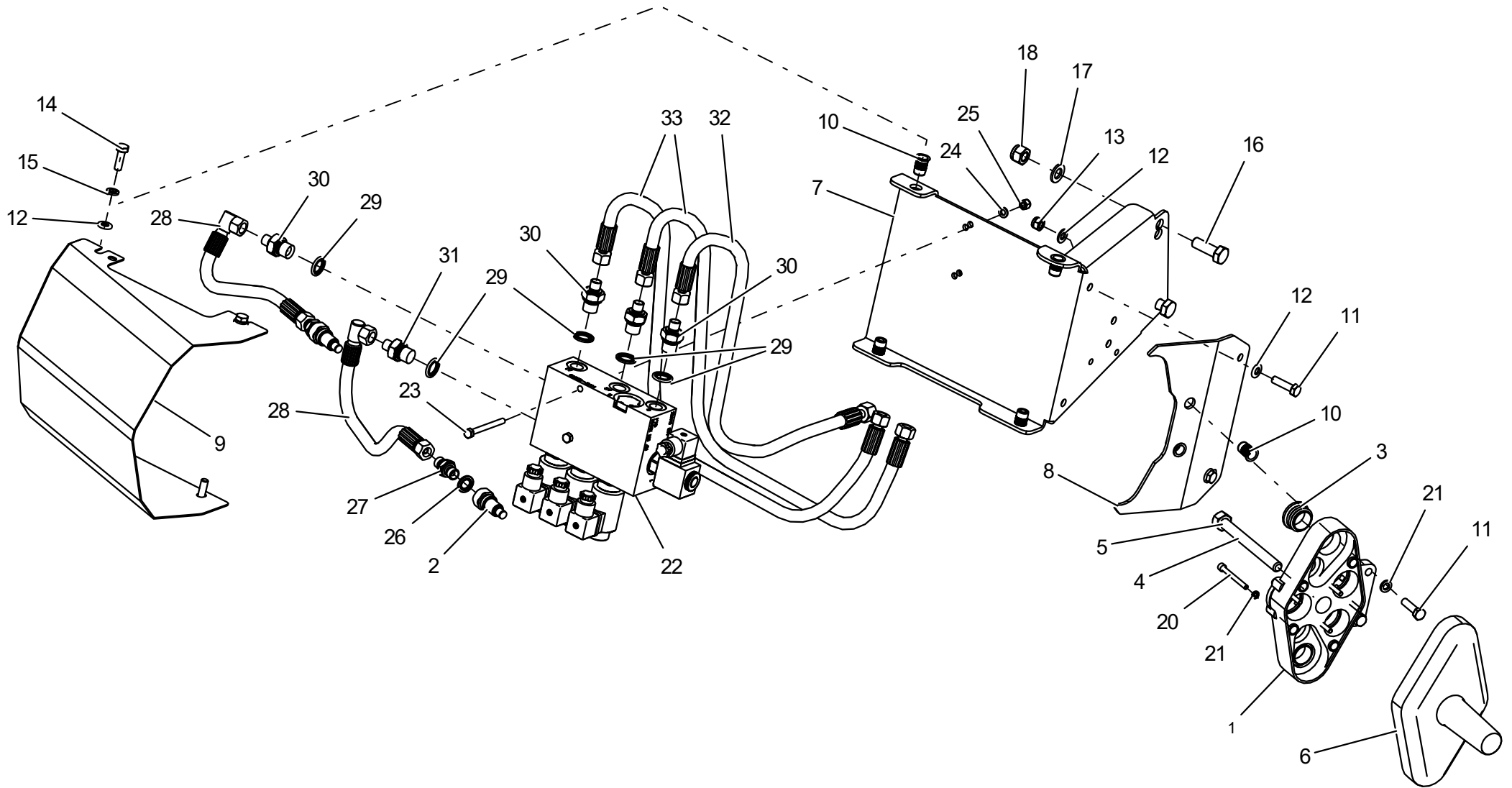
Shelbourne Reynolds Engineering Limited

ASSY NUMBER: KIT-01741				ASSY DESCRIPTION: AGCO HYD MULTICOUPLER KIT (PIVOT G BOX VS)			
ITEM	PART NO	DESCRIPTION	QTY	ITEM	PART NO	DESCRIPTION	QTY
1	199699 01	AGCO MULTICOUPLER PLATE	1				
2	197248 01	LOCATING BOSS	2				
3	SCW-0190	SOCKET CAP HD SCREW	2				
4	HQR-13026A	COUPLER (SMALL) c/w CIRCLIP	3				
5	HAAAK0327	HYD ADAPT	3				
6	HHAC10010	HYD HOSE	1				
7	HHAC09305	HYD HOSE	2				
8	198278 01	AGCO LOOM & PLUG ASSY	A/R				
9	CIR-0450	EXT CIRCLIP	A/R				
10	197766 01	PARKING BRACKET	1				
11	HSS-0238	SET SCREW	2				
12	WSH-0018	PLAIN WASHER	2				
13	NUT-0269	NYLOC NUT	2				



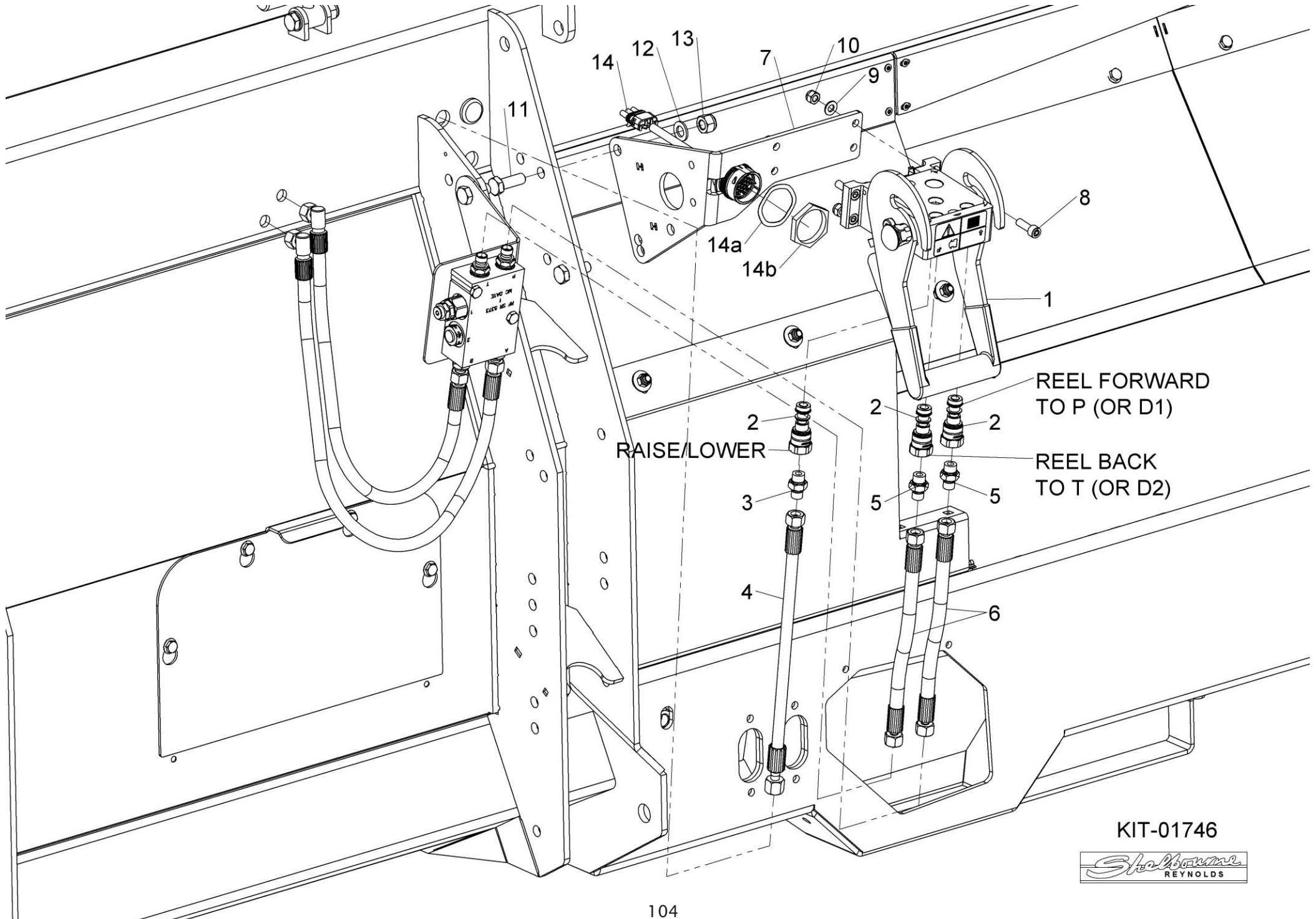
Shelbourne Reynolds Engineering Limited

ASSY NUMBER: KIT-01742				ASSY DESCRIPTION: CLAAS LEXION HYD MULTICOUPLER KIT			
ITEM	PART NO	DESCRIPTION	QTY	ITEM	PART NO	DESCRIPTION	QTY
1	CHP-05041	MULTICOUPLER HOUSING	1				
2	CHP-05042	MALE HYD COUPLING	2				
3	PTF-00134	PLASTIC CAP INSERT	2				
4	290835 01	THREADED ROD	1				
5	NUT-0170	PLAIN NUT	1				
6	CHP-05045	COUPLING COVER	1				
7	293545 01	VALVE PLATE	1				
8	293546 01	COUPLER PLATE	1				
9	293547 01	COVER	1				
10	NUTA13087	NUTSERT	6				
11	HSS-0150	SET SCREW	4				
12	WSH-0012	WASHER	8				
13	NUT-0263	NYLOC NUT	2				
14	HSS-0145	SET SCREW	4				
15	WSH-0058	SPRING WASHER	6				
16	HSS-0241	SETSCREW	2				
17	WSH-0018	PLAIN WASHER	2				
18	NUT-0269	NYLOC NUT	2				
19	195076 01	WIRE LOOM ASSY	1				
20	SCCA05323	CAP SOCKET HEAD SCREW	5				
21	WSH-0054	SPRING WASHER	5				
22	HVB-12510	SOLENOID CONTROL VALVE	1				
23	BLTA06410	HEX.HEAD BOLT	2				
24	WSH-0009	PLAIN WASHER	2				
25	NUT-0260	NYLOC NUT	2				
26	WSH-1005	DOWTY WASHER	2				
27	HMA-0052	FITTING	2				
28	HHBC02505	HYDRAULIC HOSE ASSY	2				
29	WSH-1010	DOWTY WASHER	5				
30	FIT-0025	FITTING	4				
31	HAPAA0405	RESTRICTOR.	1				
32	HHAC07910	HYDRAULIC HOSE ASSY	1				
33	HHAC07905	HYDRAULIC HOSE ASSY	2				
34	293593 01	VS PIVOTING GEARBOX LOOM	1				



Shelbourne Reynolds Engineering Limited

SSY NUMBER: KIT-01746				ASSY DESCRIPTION: CNH HYD MULTICOUPLER KIT (PIVOT G BOX V/S)			
ITEM	PART NO	DESCRIPTION	QTY	ITEM	PART NO	DESCRIPTION	QTY
1	HQR-95010X	FASTER MULTI COUPLER	1				
1a	HQR-95040	SPARE RED BUTTON KIT					
2	HQR-15025	FEM COUPLING INSERT	3				
3	HAPAK0425	HYD RESTRICTOR	1				
4	HHAC07910	HYDRAULIC HOSE ASSY	1				
5	HAAIA2103	HYD ADAPT	2				
6	HHAC07905	HYDRAULIC HOSE ASSY	2				
7	199711 01	MULTICOUPLER MTG PLT	1				
8	SCW-0136	HT CAP HEAD SCREW	4				
9	WSH-0012	PLAIN WASHER	4				
10	NUT-0263	NYLOC NUT	4				
11	HSS-0241	SETSCREW	1				
12	WSH-0018	PLAIN WASHER	1				
13	NUT-0269	NYLOC NUT	1				
14	197040 01	LIGHT PLUG (IF LIGHTS FITTED)					
14a	ECN-09060	SPARE LOCK WASHER					
14b	ECN-09050	SPARE PANEL NUT					

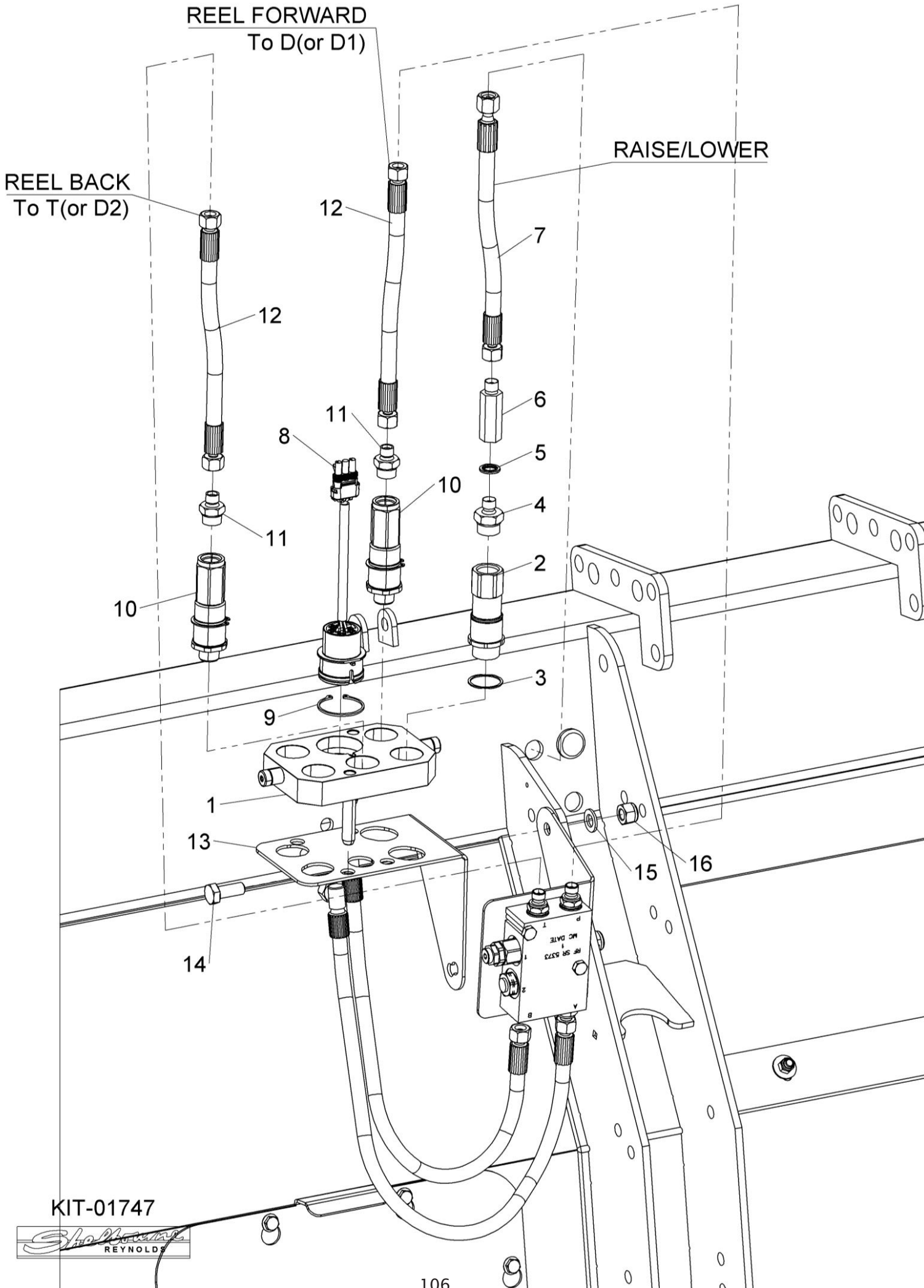


KIT-01746



Shelbourne Reynolds Engineering Limited

ASSY NUMBER: KIT-01747				ASSY DESCRIPTION: JOHN DEERE HYD KIT (PIVOTING GEARBOX VS)			
ITEM	PART NO	DESCRIPTION	QTY	ITEM	PART NO	DESCRIPTION	QTY
1	HQR-93000X	JD MULTICOUPLER PLATE	1				
2	HQR-13027	COUPLER (LARGE)	1				
3	CLP-00230	SNAP RING	1				
4	HMA-0114	HYD ADAPT	1				
5	WSH-1005	DOWTY WASHER	1				
6	HVB-93000	FLOW CONTROL RESTRICTOR	1				
7	HHAC10010	HYD HOSE	1				
8	197146 01	JD LOOM & PLUG (RIGID HEADER)	1				
9	CIR-0450	EXT CIRCLIP	2				
10	HQR-13026A	COUPLER (SMALL) c/w CIRCLIP	2				
11	HAAAK0327	HYD ADAPT	2				
12	HHAC09305	HYD HOSE	2				
13	197766 01	PARKING BRACKET	1				
14	HSS-0238	SET SCREW	2				
15	WSH-0018	PLAIN WASHER	2				
16	NUT-0269	NYLOC NUT	2				



KIT-01747

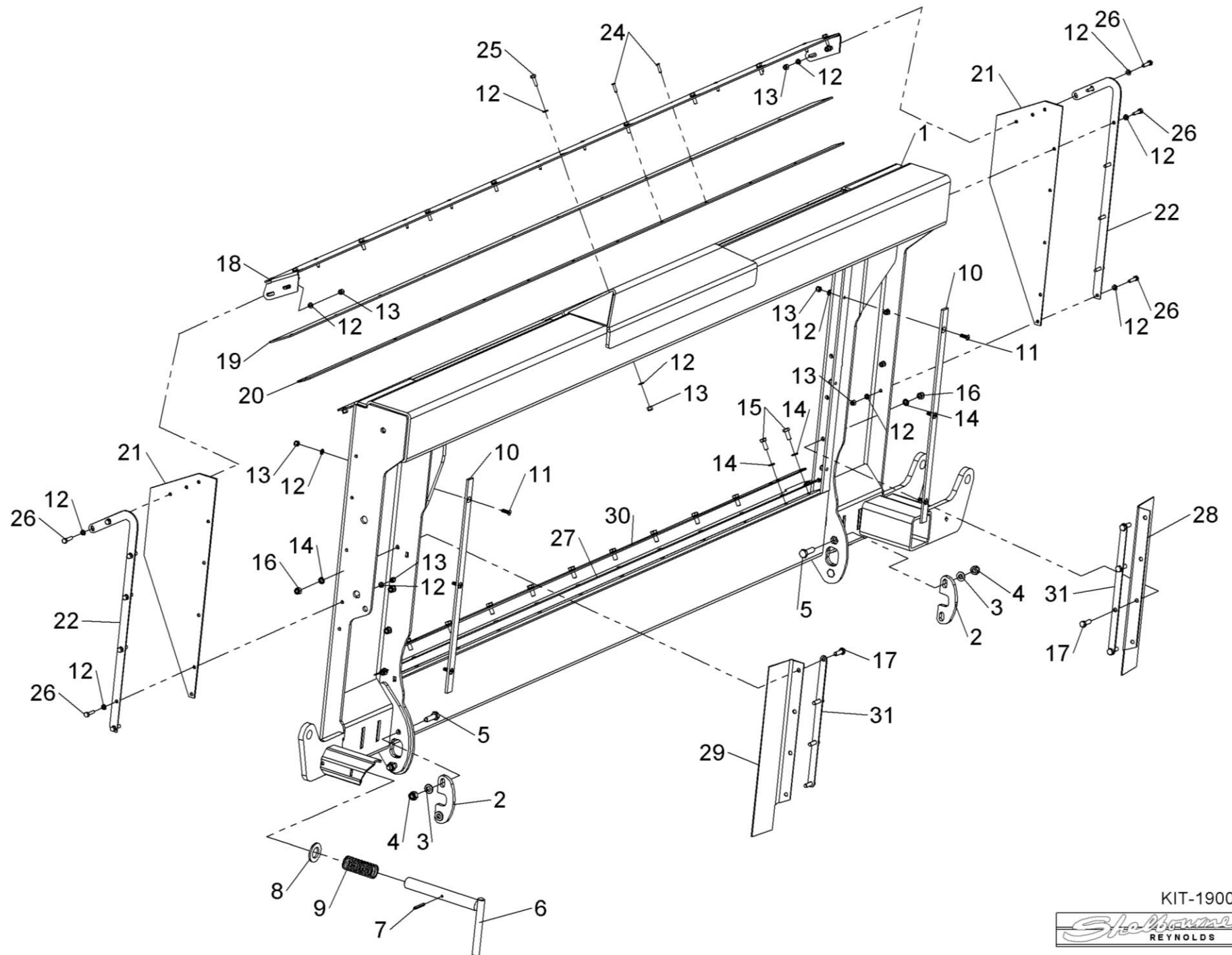


Adaptor Plates

Shelbourne Reynolds Engineering Limited

ASSY NUMBER: KIT-19002				ASSY DESCRIPTION: JD ADAPTOR PLATE			
ITEM	PART NO	DESCRIPTION	QTY	ITEM	PART NO	DESCRIPTION	QTY
1	198377 01	JD ADAPTOR W/A (2011 & ON)	1				
2	198521 01	PIN HOLE PLATE	2				
3	WSH-0015	PLAIN WASHER	4				
4	NUT-0265	NYLOC NUT	4				
5	HSS-0198	SETSCREW	4				
6	199467 01	LOCKING PIN (25mm) (2013 & ON)	1				
OR	198620 01	LOCKING PIN (19mm) (UPTO 2013)	1				
7	PIN-1775	ROLL PIN	1				
8	WSH-0036	PLAIN WASHER (25mm PIN)	1				
OR	WSH-0030	PLAIN WASHER (19mm PIN)	1				
9	SPGC32925	COMPRESSION SPRING (25mm PIN)	1				
OR	SPGC32355	COMPRESSION SPRING (19mm PIN)	1				
10	197208 01	PACKER PLATE	2				
11	SCW-1580	CSK SOCKET HD SCW	6				
12	WSH-0009	PLAIN WASHER	52				
13	NUT-0260	NYLOC NUT	29				
14	WSH-0058	SPRING WASHER	14				
15	HSS-0140	SETSCREW	12				
16	NUT-0263	NYLOC NUT	8				
17	HSS-0145	BOLT	8				
18	199476 01	FRONT SEAL PLATE (2013 & ON)	1				
OR	199195 01	FRONT SEAL PLATE (2012 ONLY)	1				
OR	198719 01	FRONT SEAL PLATE (UPTO 2012)	1				
19	199159 01	TOP SEAL STRIP (2012 & ON)	1				
OR	198711 01	TOP SEAL STRIP (UPTO 2012)	1				
20	198715 01	CLAMP STRIP	1				
21	198717 01	SIDE SEAL	2				
22	199479 01	SEAL CLAMP	2				
23	WSH-0012	PLAIN WASHER	6				
24	POP-0006	POP RIVET	13				
25	HSS-0086	SETSCREW	9				
26	HSS-0088	SETSCREW	14				
27	198921 01	BOTTOM SEAL PLT (2011 & ON)	1				
28	198922 01	LH SEAL PLT (2011 & ON)	1				
29	198922 02	RH SEAL PLT (2011 & ON)	1				
30	198988 01	BOTTOM CLAMP STRIP	1				
31	198987 01	SIDE CLAMP STRIP	2				

*THIS KIT ONLY FITS HOOK STYLE
FACEPATES AND NOT OLDER CLAMP
BLOCK STYLE, CONTACT YOUR JD
DEALER FOR UPDATE KIT*

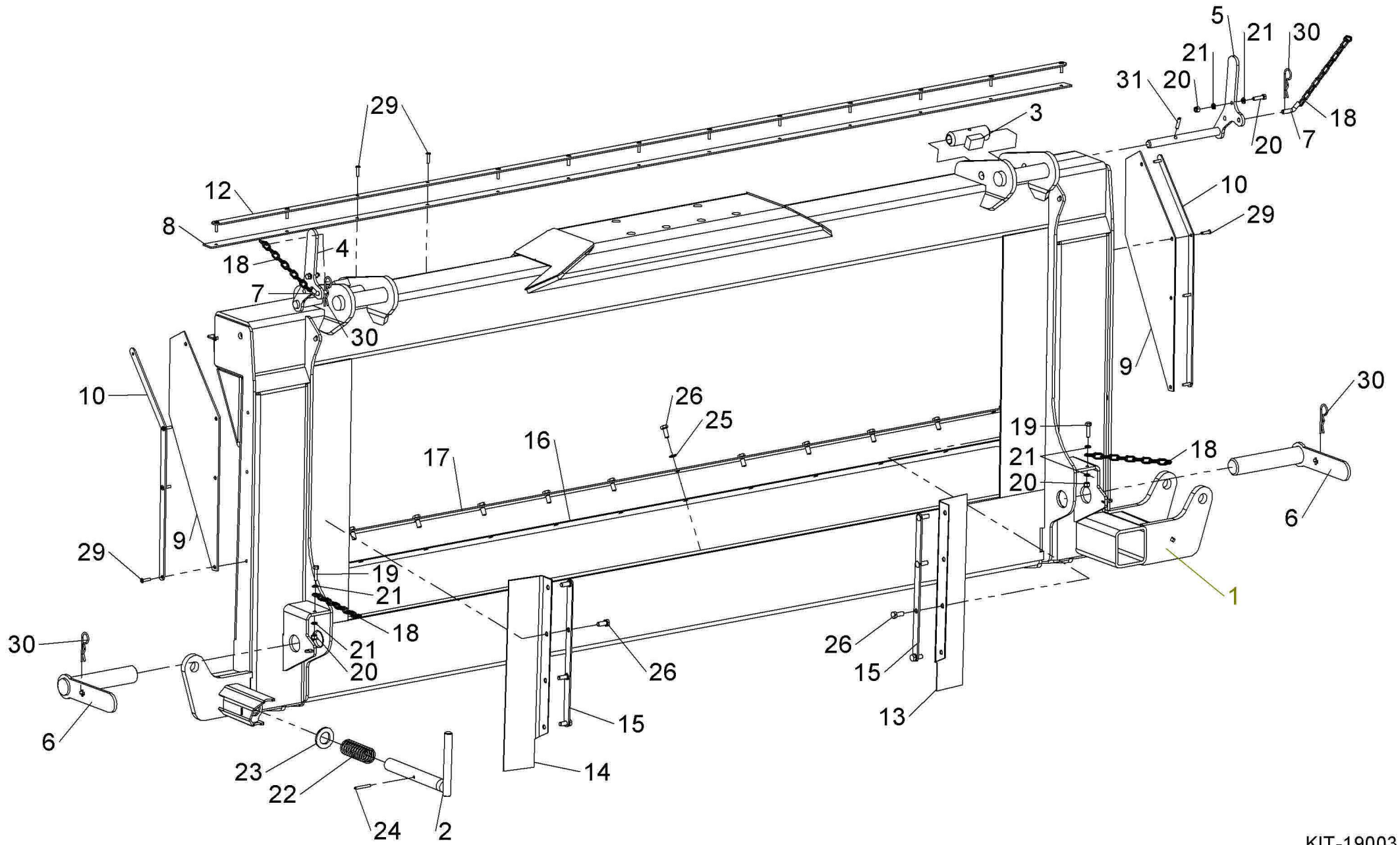


KIT-19002



Shelbourne Reynolds Engineering Limited

ASSY NUMBER: KIT-19003				ASSY DESCRIPTION: CLAAS LEXION ADAPTOR PLT KIT			
ITEM	PART NO	DESCRIPTION	QTY	ITEM	PART NO	DESCRIPTION	QTY
1	198375 01	LEXION ADAPTOR W/A (2011 & ON)	1				
2	199467 01	LOCKING PIN (2012 & ON)	1				
OR	198620 01	LOCKING PIN (UPTO 2012)	1				
3	193154 01	TOP LOCK	2				
4	193153 01	TOP LOCKING LEVER LH	1				
5	193153 02	TOP LOCKING LEVER RH	1				
6	198656 01	LOCKING PIN W/A	2				
7	195878 01	LOCKING HANDLE ASSY	2				
8	198711 01	TOP SEAL STRIP	1				
9	290148 01	SIDE SEAL (RIVET) (2016 & ON)	2				
OR	198712 01	SIDE SEAL (BOLT) (UPTO 2016)	2				
10	290149 01	CLAMP STRIP (RIVET) (2016 & ON)	2				
OR	198713 01	CLAMP STRIP (BOLT) (UPTO 2016)	2				
11	198714 01	CLAMP STRIP (UPTO 2016)	2				
12	290538 01	CLAMP STRIP (2018 & ON)	2				
OR	198715 01	CLAMP STRIP (UPTO 2018)	1				
13	198922 01	SIDE SEAL (2011 & ON)	1				
14	198922 02	SIDE SEAL (2011 & ON)	1				
15	198987 01	SIDE CLAMP STRIP (2011 & ON)	2				
16	198986 01	PVC SEAL STRIP (2011 & ON)	1				
17	198989 01	CLAMP STRIP (2011 & ON)	1				
18	CHN-0145	CHAIN	0.17m				
18	CHN-0145	CHAIN	0.17m				
18	CHN-0145	CHAIN	0.17m				
18	CHN-0145	CHAIN	0.17m				
19	HSS-0088	HEX HD BOLT	4				
20	NUT-0260	NYLOC NUT	4				
21	WSH-0009	PLAIN WASHER	8				
22	SPGC32925	COMPRESSION SPRING (2012 & ON)	1				
OR	SPGC32355	COMPRESSION SPRING (UPTO 2012)	1				
23	WSH-0036	PLAIN WASHER (2012 & ON)	1				
OR	WSH-0030	PLAIN WASHER (UPTO 2012)	1				
24	PIN-1775	ROLL PIN	1				
25	WSH-0058	SPRING WASHER (2011 & ON)	20				
26	HSS-0140	SETSCREW (2011 & ON)	20				
27	NUT-0263	NYLOC NUT (UPTO 2016)	6				
28	WSH-0012	PLAIN WASHER (UPTO 2016)	6				
29	POP-0006	POP RIVET	22				
30	CLP-00103	R CLIP	4				
31	PIN-1923	ROLL PIN	2				

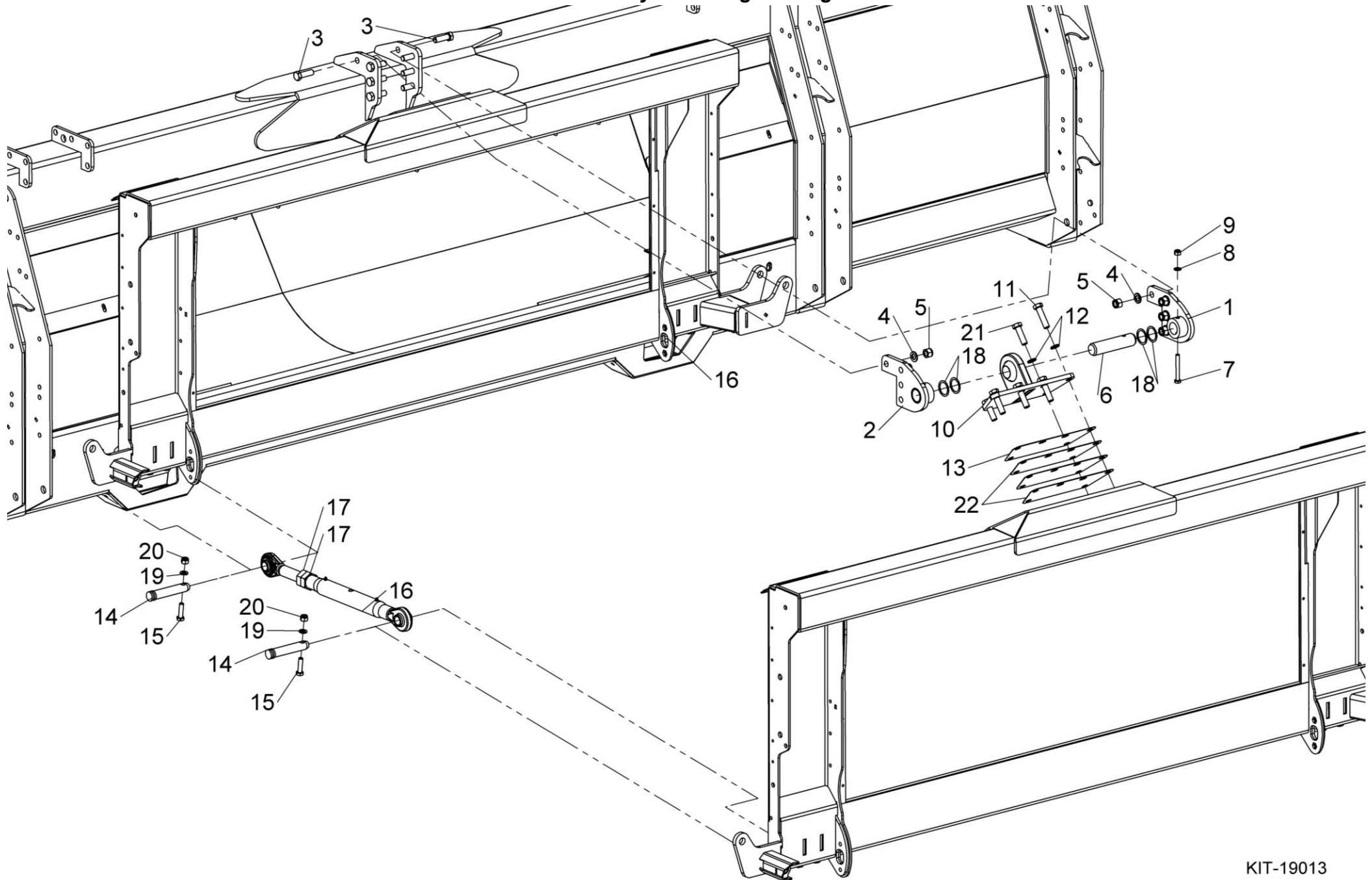


KIT-19003



Shelbourne Reynolds Engineering Limited

ASSY NUMBER: KIT-19013 & KIT-19043				ASSY DESCRIPTION: TILTING ADAPTOR PLATE KIT			
ITEM	PART NO	DESCRIPTION	QTY	ITEM	PART NO	DESCRIPTION	QTY
1	198371 01	HEADER PIVOT PLATE (KIT-19013)	1				
OR	290694 01	HEADER PIVOT PLATE (KIT-19043) (AGCO, GLEANER, MF, CHALLENGER 2018 & ON ONLY)	1				
2	198371 02	HEADER PIVOT PLATE (KIT-19013)	1				
OR	290694 02	HEADER PIVOT PLATE (KIT-19043) (AGCO, GLEANER, MF, CHALLENGER 2018 & ON ONLY)	1				
3	HSS-0318	SETSCREW	8				
4	WSH-0024	PLAIN WASHER	8				
5	NUT-0271	NYLOC NUT	8				
6	198592 01	HEADER PIVOT PIN	1				
7	BLTA10500	HEX HD BOLT	1				
8	WSH-0015	PLAIN WASHER	1				
9	NUT-0265	NYLOC NUT	1				
10	198367 01	HEADER PIVOT W/A (KIT-19013)	1				
OR	290695 01	HEADER PIVOT W/A (KIT-19043) (AGCO, GLEANER, MF, CHALLENGER 2018 & ON ONLY)	1				
11	HSS-0322	SETSCREW	4				
12	WSH-0070	SPTING WASHER	6				
13	198529 02	PACKER PLATE (5mm) (NOT AGCO)	1				
14	21708006	TOP LINK PIN (CAT II)	4				
15	BLTA12290	HEX HD BOLT	4				
16	ADL-11585	TOP LINK ASSY (2017 & ON)	2				
OR	ADL-11590	TOP LINK ASSY (2014-2016)	2				
OR	ADL-11550	TOP LINK ASSY (UPTO 2014)	2				
17	NUT-1127	NUT (2017 & ON, INC IN ITEM 16)	4				
OR	NUT-1127	NUT (2014-2016)	4				
OR	20801026	NUT (UPTO 2014)	2				
18	198800 30	WASHER	A/R				
19	WSH-0018	PLAIN WASHER	4				
20	NUT-0269	NYLOC NUT	4				
21	HSS-0319	SETSCREW	2				
22	198529 01	PACKER PLATE (1mm)	A/R				

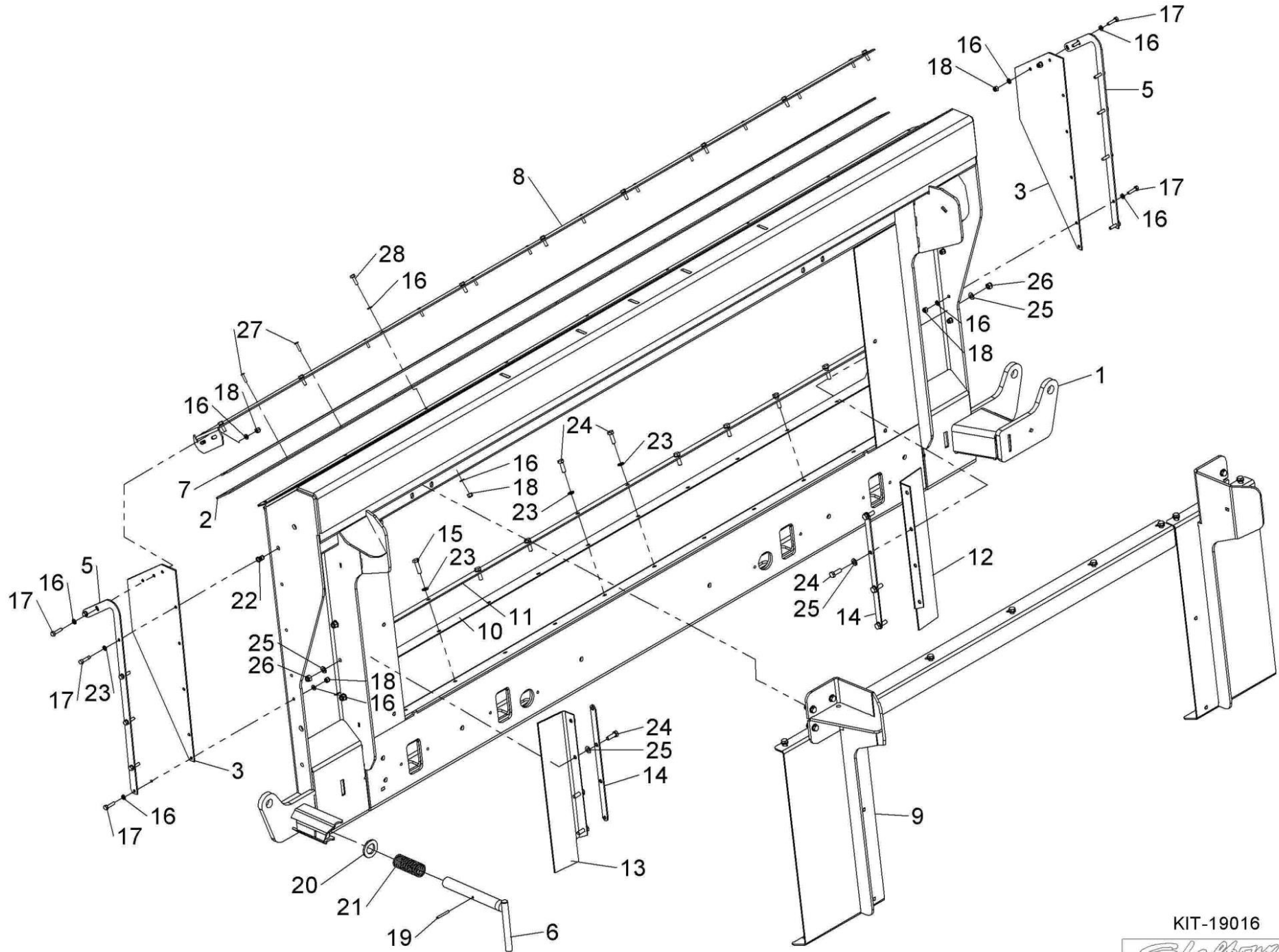


KIT-19013



Shelbourne Reynolds Engineering Limited

ASSY NUMBER: KIT-19016				ASSY DESCRIPTION: AGCO ADAPTOR PLATE KIT			
ITEM	PART NO	DESCRIPTION	QTY	ITEM	PART NO	DESCRIPTION	QTY
1	199150 01	AGCO ADAPTOR PLATE W/	1				
2	198715 01	CLAMP STRIP	1				
3	198717 01	SIDE SEAL	2				
4							
5	199479 01	SEAL CLAMP	2				
6	199467 01	LOCKING PIN (2013 & ON)	1				
OR	198620 01	LOCKING PIN (UPTO 2013)	1				
7	199159 01	TOP SEAL PLATE	1				
8	199476 01	FRONT SEAL PLATE (2013 & ON)					
OR	199195 01	FRONT SEAL PLATE (UPTO 2013)	1				
9	KIT-19017	FILL IN PLT KIT (GLEANER ONLY)	A/R				
10	199207 01	LOWER SEAL	1				
11	199197 01	LOWER SEAL MOUNTING PLATE	1				
12	198922 01	SEAL	1				
13	198922 02	SEAL	1				
14	198987 01	SIDE CLAMP PLATE	2				
15	HSS-0150	BOLT	4				
16	WSH-0009	PLAIN WASHER	42				
17	HSS-0088	SET SCREW	14				
18	NUT-0260	NYLOC NUT	21				
19	PIN-1775	ROLL PIN	1				
20	WSH-0036	PLAIN WASHER (2013 & ON)	1				
OR	WSH-0030	PLAIN WASHER (UPTO 2013)	1				
21	SPGC32925	COMPRESION SPRING (2013 & ON)	1				
OR	SPGC32355	COMPRESION SPRING (UPTO 2013)	1				
22	NUTA13060	NUTSERT	2				
23	WSH-0058	SPRING WASHER	12				
24	HSS-0145	BOLT	16				
25	WSH-0012	PLAIN WASHER	14				
26	NUT-0263	NYLOC NUT	6				
27	POP-0006	POP RIVET	13				
28	HSS-0086	SET SCREW	9				

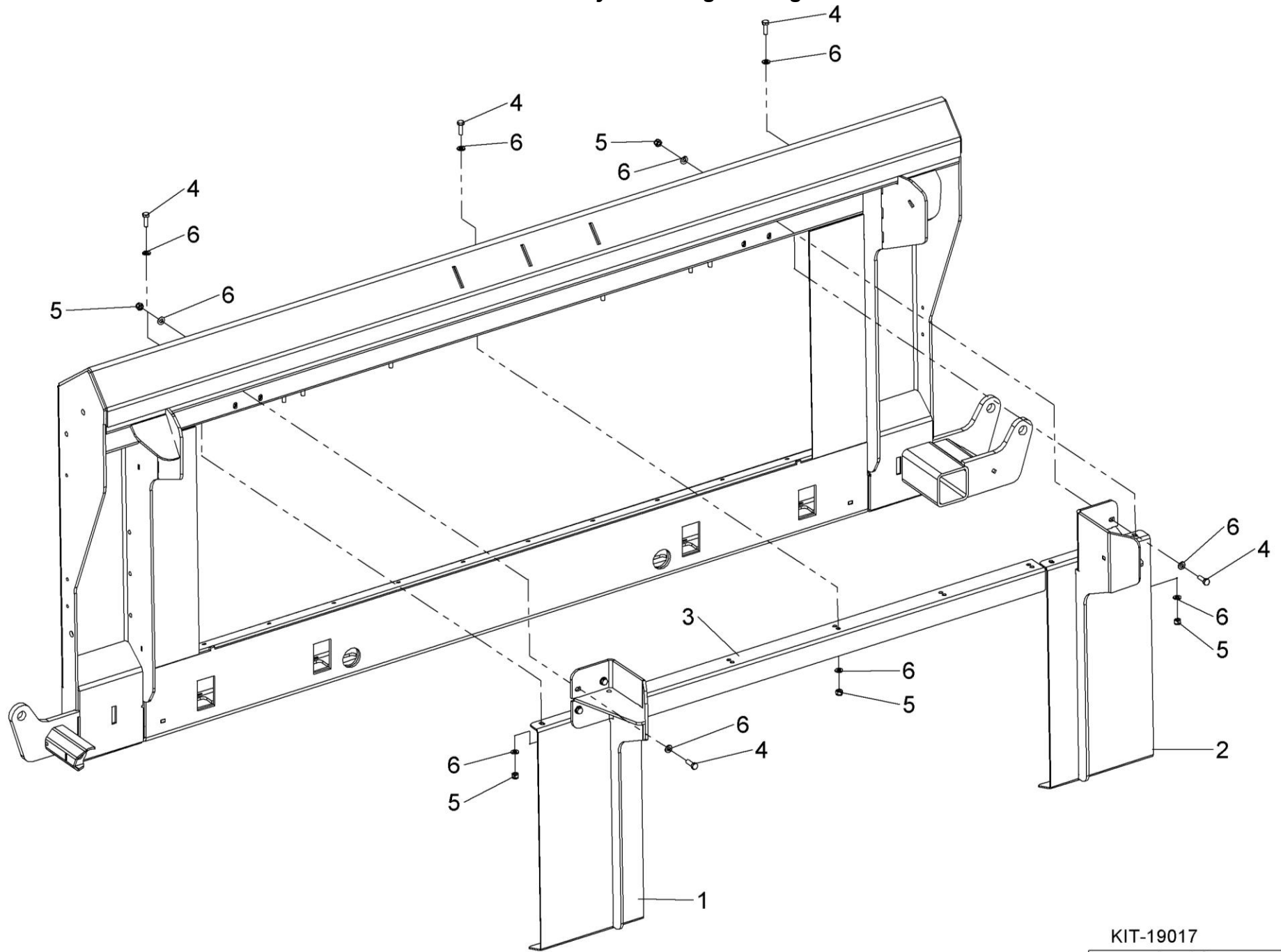


KIT-19016



Shelbourne Reynolds Engineering Limited

ASSY NUMBER: KIT-19017				ASSY DESCRIPTION: GLEANER FILL IN PLATE KIT			
ITEM	PART NO	DESCRIPTION	QTY	ITEM	PART NO	DESCRIPTION	QTY
1	199160 01	LH FILL IN PLATE	1				
2	199160 02	RH FILL IN PLATE	1				
3	197991 01	COVER PLATE	1				
4	HSS-0145	BOLT	17				
5	NUT-0263	NYLOC NUT	17				
6	WSH-0012	PLAIN WASHER	34				
							THIS KIT ONLY FITS GLEANER COMBINES WITH TILTING FEEDER HOUSE OR LARGE HORNS

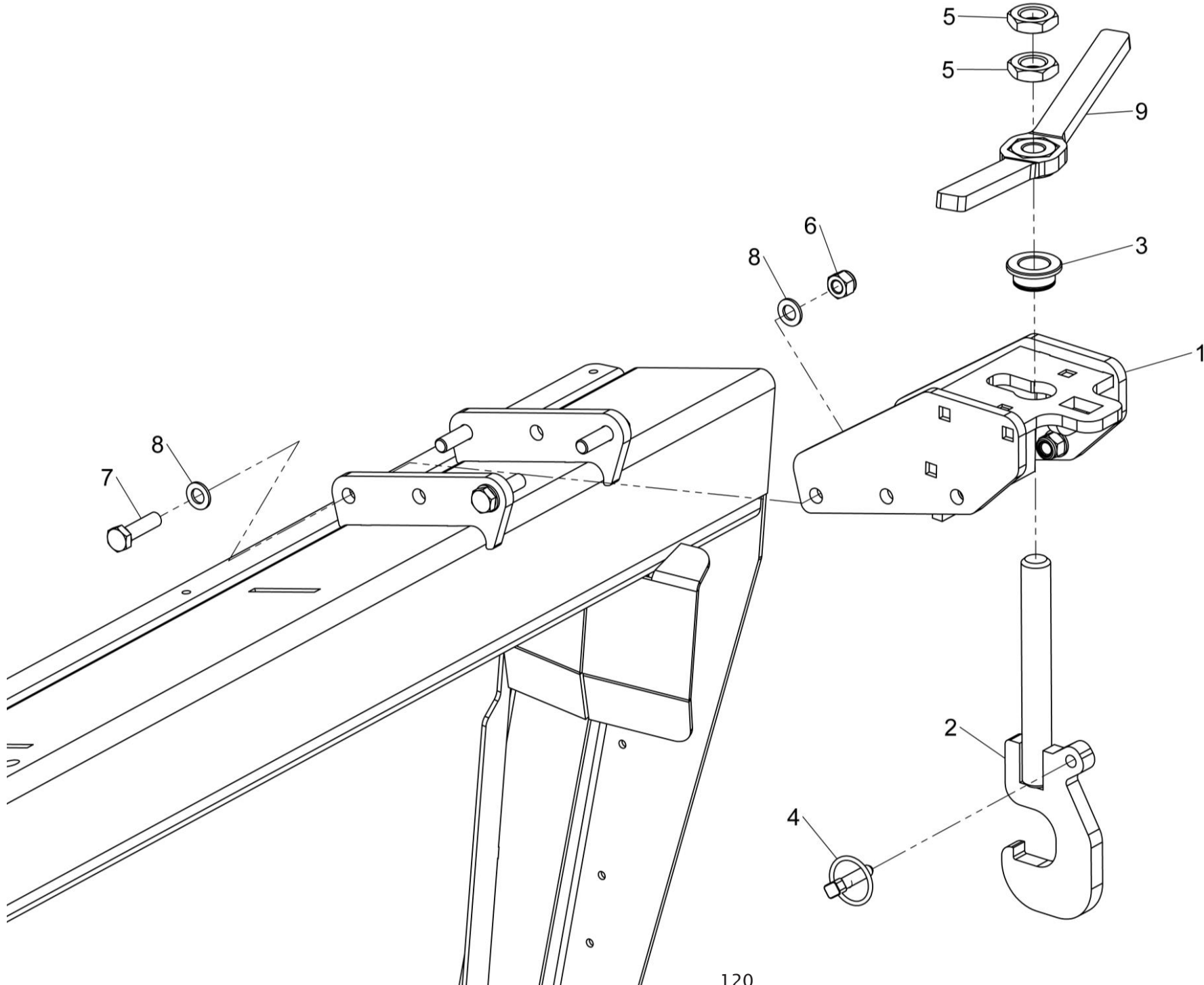


KIT-19017



Shelbourne Reynolds Engineering Limited

ASSY NUMBER: KIT-19026				ASSY DESCRIPTION: CNH ADAPTOR PLATE HOOK & BRKT ASSY			
ITEM	PART NO	DESCRIPTION	QTY	ITEM	PART NO	DESCRIPTION	QTY
1	199705 01	HOOK MOUNTING W/A (2014 & ON)	1				
2	199728 01	ADAPTOR HOOK (2014 & ON)	1				
3	199621 01	TOP HAT BUSH (2014 & ON)	1				
4	PIN-01950	LYNCH PIN (2014 & ON)	1				
5	NUT-0390	HALF NUT (2018 & ON)	2				
OR	NUT-0190	PLAIN NUT (UP TO 2018)	2				
6	NUT-0269	NYLOC NUT	4				
7	BLTA12290	HEX HD BOLT	4				
8	WSH-0018	PLAIN WASHER	8				
9	290563 01	WING NUT W/A (2018 & ON)	1				

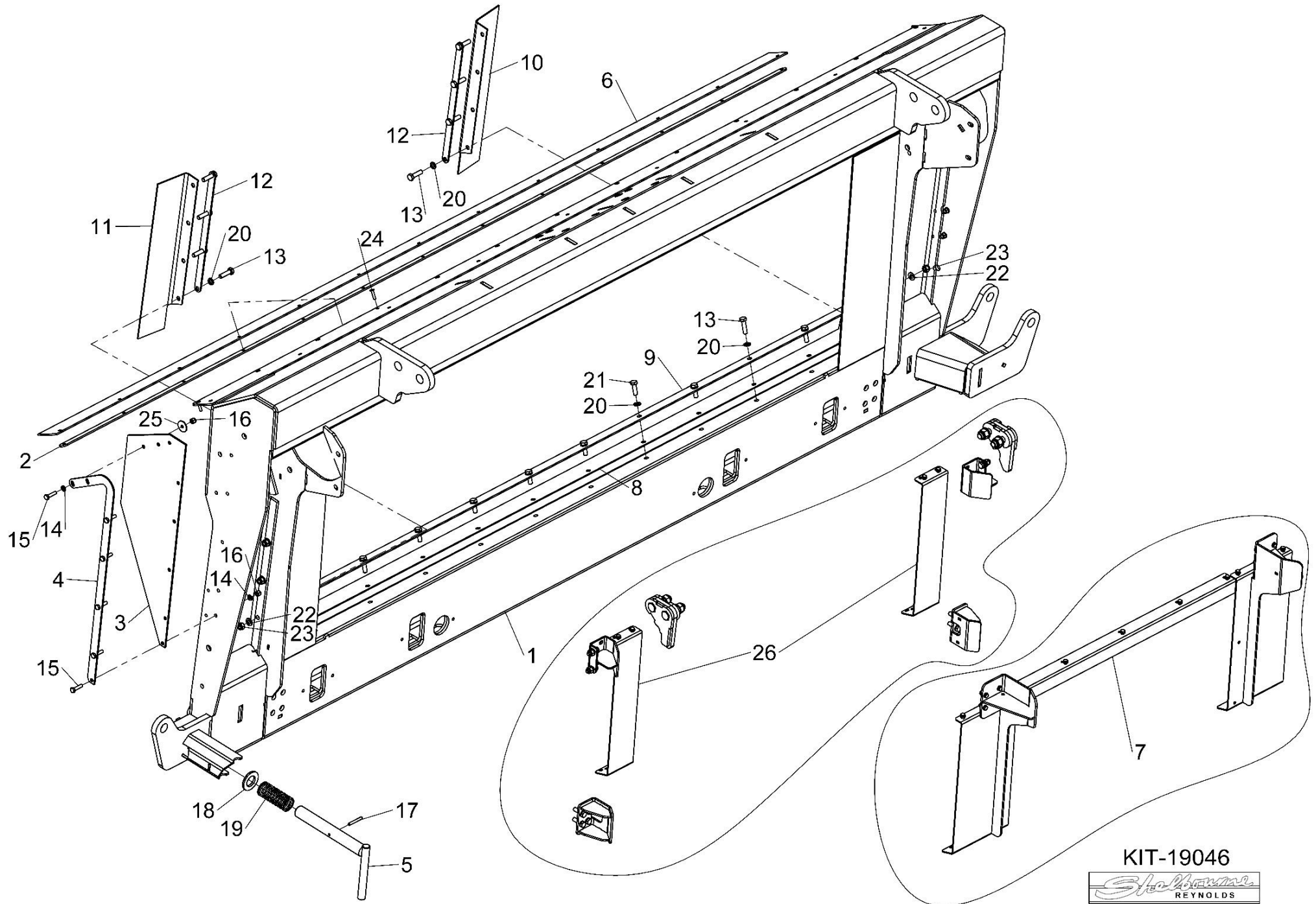


KIT-19026



Shelbourne Reynolds Engineering Limited

ASSY NUMBER: KIT-19046				ASSY DESCRIPTION: AGCO ADAPTOR PLATE KIT			
ITEM	PART NO	DESCRIPTION	QTY	ITEM	PART NO	DESCRIPTION	QTY
1	290700 01	AGCO ADAPTOR PLATE W/A	1				
2	198715 01	CLAMP STRIP	1				
3	198717 01	SIDE SEAL	2				
4	199479 01	SEAL CLAMP	2				
5	199467 01	LOCKING PIN	1				
6	199159 01	TOP SEAL PLATE	1				
7	KIT-19017	FILL IN PLT KIT (GLENER ONLY)	A/R				
8	199207 01	LOWER SEAL	1				
9	199197 01	LOWER SEAL MOUNTING PLATE	1				
10	198922 01	SEAL	1				
11	198922 02	SEAL	1				
12	198987 01	SIDE CLAMP PLATE	2				
13	HSS-0150	BOLT	12				
14	WSH-0009	PLAIN WASHER	12				
15	HSS-0088	SET SCREW	12				
16	NUT-0260	NYLOC NUT	12				
17	PIN-1775	ROLL PIN	1				
18	WSH-0036	PLAIN WASHER	1				
19	SPGC32925	COMPRESION SPRING	1				
20	WSH-0058	SPRING WASHER	14				
21	HSS-0145	BOLT	8				
22	WSH-0012	PLAIN WASHER	6				
23	NUT-0263	NYLOC NUT	6				
24	POP-0006	POP RIVET	13				
25	WSH-1036	PLAIN WASHER	2				
26	KIT-19049	FILL IN PLT KIT (IDEAL ONLY)	A/R				

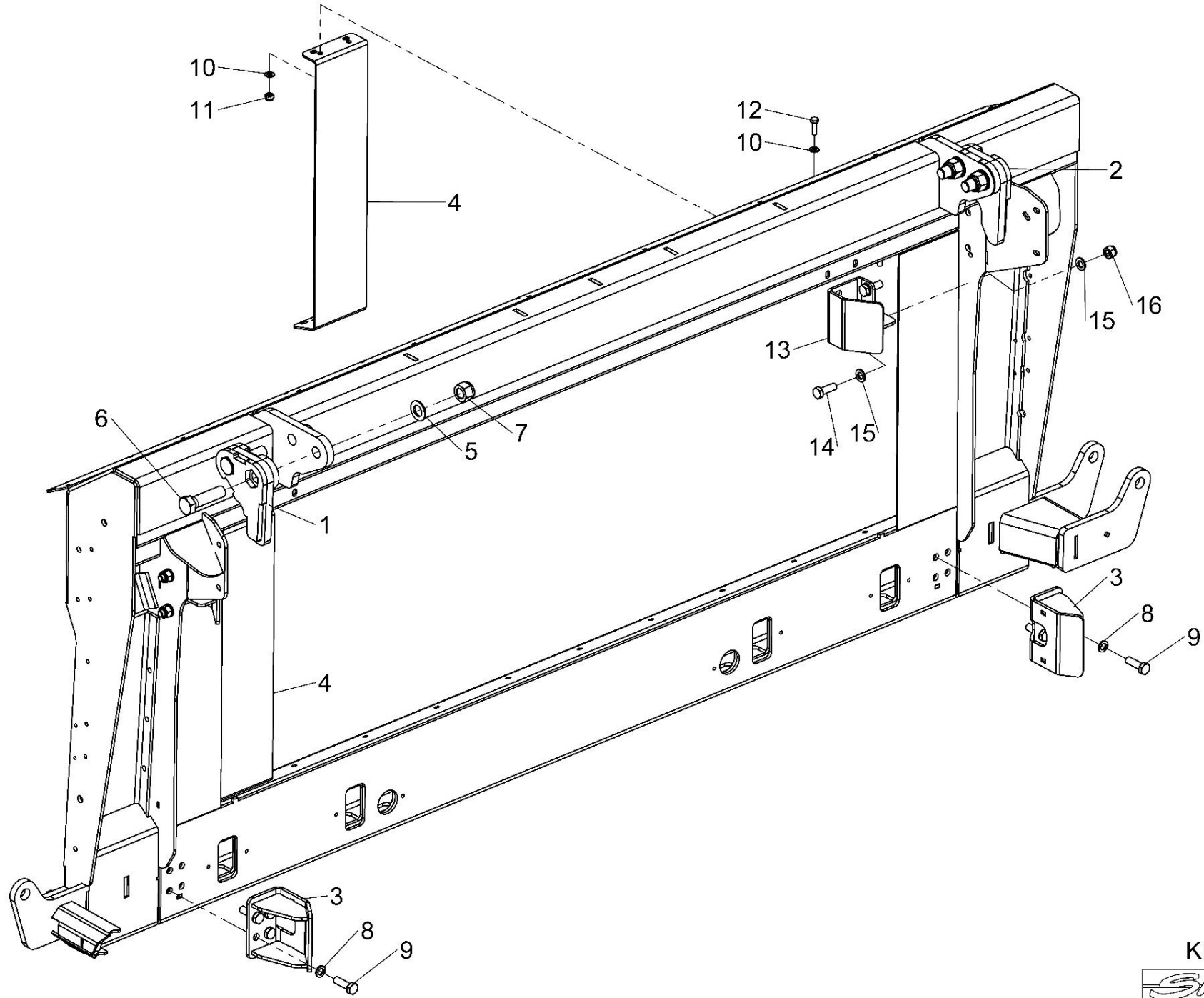


KIT-19046



Shelbourne Reynolds Engineering Limited

ASSY NUMBER: KIT-19049				ASSY DESCRIPTION: AGCO IDEAL MOUNTING KIT			
ITEM	PART NO	DESCRIPTION	QTY	ITEM	PART NO	DESCRIPTION	QTY
1	292595 01	IDEAL LUG W/A RH (2023 & ON)	1				
OR	291063 01	CLOSE LUG (UPTO 2023) FOR SPARES SUPPLY 292595 01 & 292595 02	2				
2	292595 02	IDEAL LUG W/A RH (2023 & ON)	1				
3	292790 01	LOCKING BRACKET	2				
4	291065 01	FILL PLATE	2				
5	WSH-0030	WASHER	8				
6	BLTA20470	BOLT (2023 & ON)	4				
OR	HSSA20410	SETSCREW (UPTO 2023)	4				
7	NUTA02200	NYLOC NUT	4				
8	WSH-0065	SPRING WASHER	8				
9	HSS-0250	SETSCREW	8				
10	WSH-0012	WASHER	8				
11	NUT-0263	NYLOC NUT	4				
12	HSS-0145	BOLT	4				
13	291113 01	GUIDE W/A (UPTO 2023)	2				
14	HSS-0241	SETSCREW	4				
15	WSH-0018	WASHER	8				
16	NUT-0269	NYLOC NUT	8				

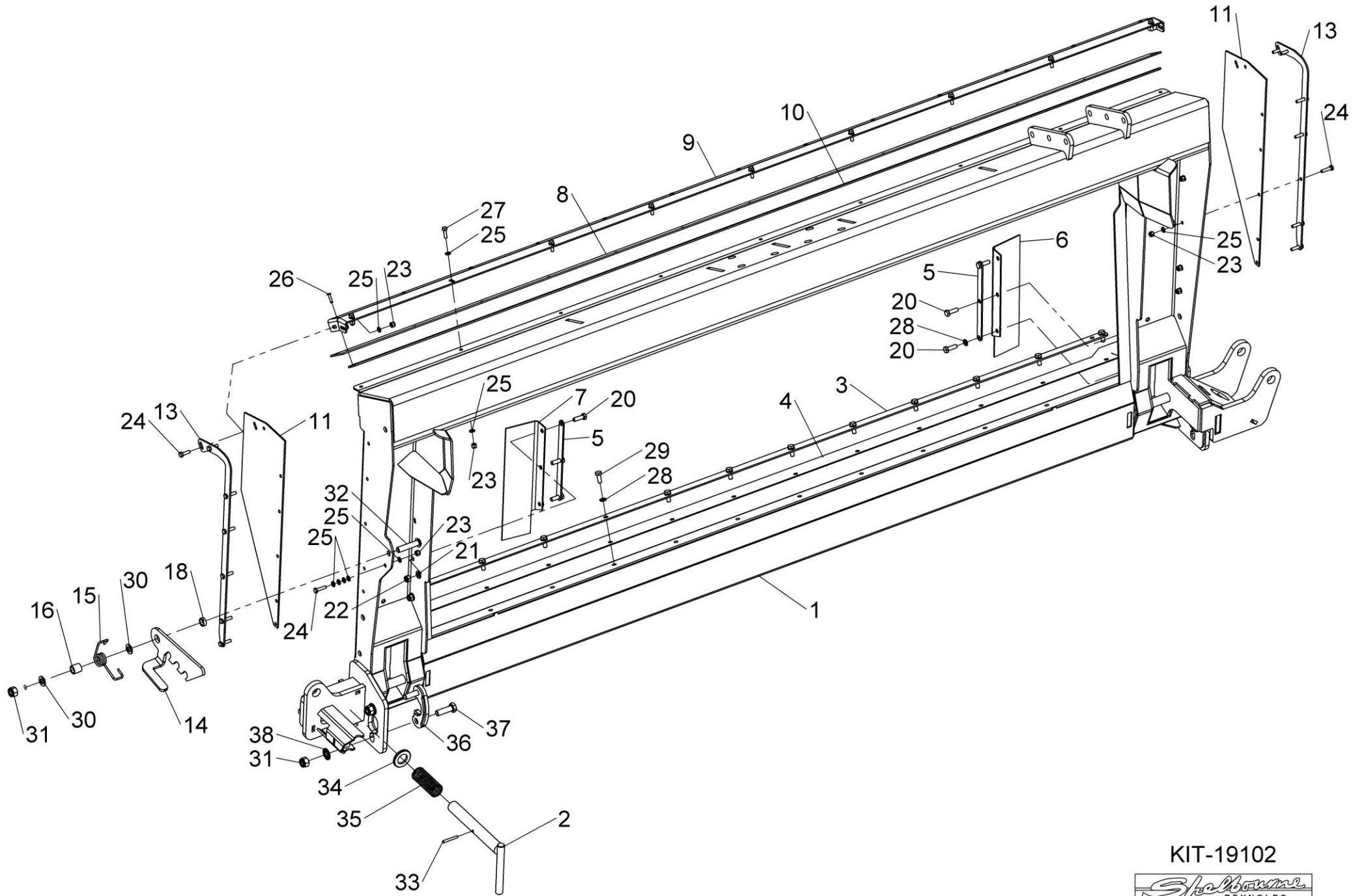


KIT-19049



Shelbourne Reynolds Engineering Limited

ASSY NUMBER: KIT-19102				ASSY DESCRIPTION: CNH CR11/AF11 EXCEL ADAPTOR SUB			
ITEM	PART NO	DESCRIPTION	QTY	ITEM	PART NO	DESCRIPTION	QTY
1	293380 01	CNH ADAPTOR PLT W/A	1				
2	199467 01	LOCKING PIN (25mm)	1				
3	198989 01	METAL STRIP	1				
4	198986 01	RUBBER STRIP	1				
5	198987 02	SIDE CLAMP STRIP	2				
6	199513 01	SIDE SEAL	1				
7	199513 02	SIDE SEAL	1				
8	199159 01	TOP SEAL STRIP	1				
9	199750 01	RUBBER FIXING PLT	1				
10	198715 01	CLAMP STRI	1				
11	199228 01	SIDE SEAL	2				
12							
13	199226 01	AROUND HD PLT	2				
14	198802 01	LOCKING PLATE	1				
15	198807 01	TORSION SPRING	1				
16	198811 02	SPACER TUB	1				
17							
18	198789 01	SPACER TUB	1				
19							
20	HSS-0145	SETSCREW	6				
21	WSH-0012	PLAIN WASHER	6				
22	NUT-0263	NYLOC NUT	6				
23	NUT-0260	NYLOC NUT	24				
24	HSS-0088	SETSCREW	11				
25	WSH-0009	PLAIN WASHER	37				
26	POP-0006	POP RIVET	13				
27	HSS-0086	SETSCREW	13				
28	WSH-0058	SPRING WASHER	14				
29	HSS-0140	SETSCREW	12				
30	WSH-0018	PLAIN WASHER	2				
31	NUT-0269	NYLOC NUT	5				
32	SCBA12350	BUTTON HEAD SCREW	1				
33	PIN-1775	ROLL PIN	1				
34	WSH-0036	PLAIN WASHER	1				
35	SPGC32925	COMPRESSION SPRING	1				
36	293393 01	ADJUSTER LUG W/A	2				
37	BLTA12260	BOLT	4				
38	WSHA30121	LOCK WASHER	4				



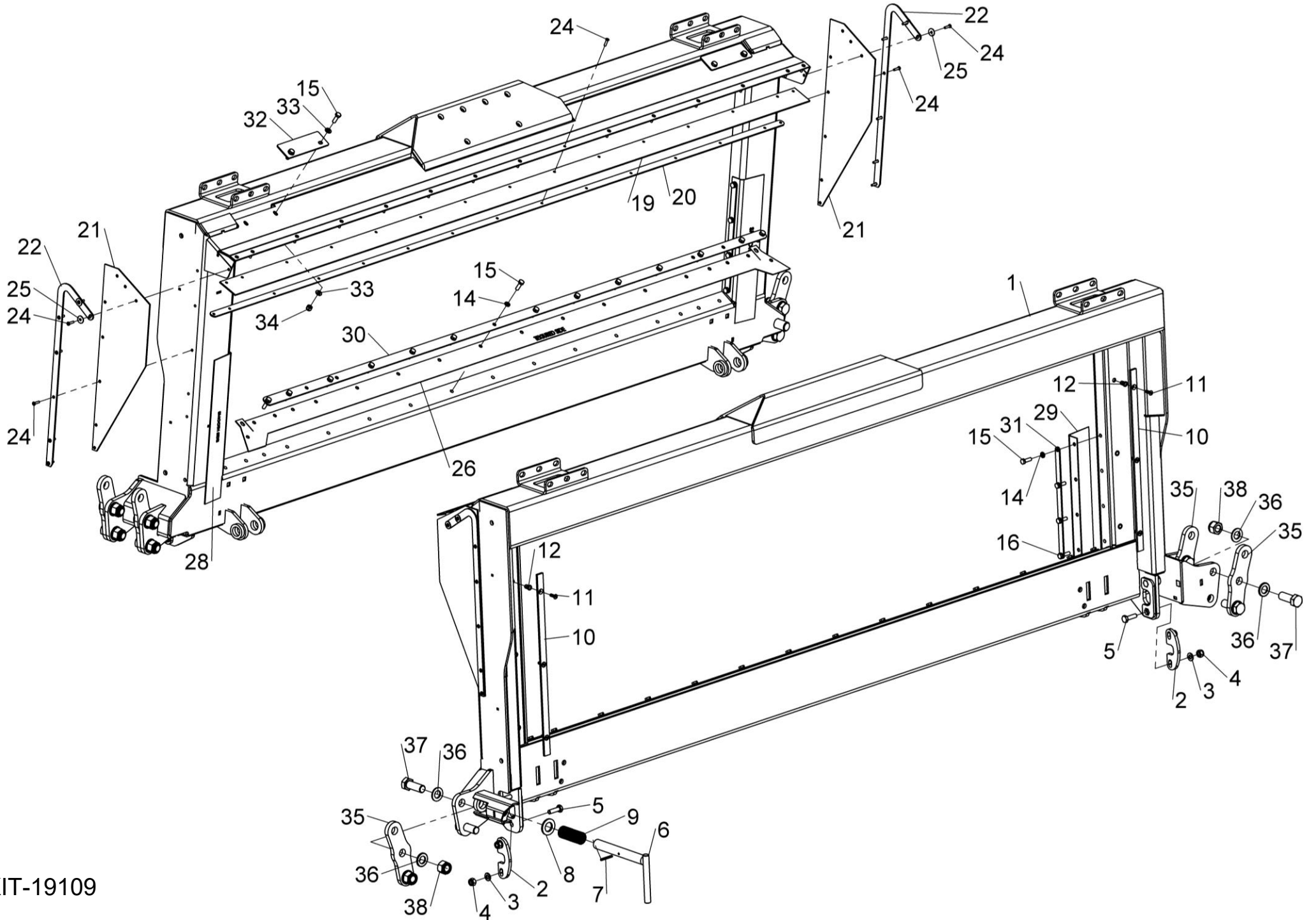
KIT-19102



Shelbourne Reynolds Engineering Limited

ASSY NUMBER: KIT-19109				ASSY DESCRIPTION: JD X9 ADAPTOR PLATE			
ITEM	PART NO	DESCRIPTION	QTY	ITEM	PART NO	DESCRIPTION	QTY
1	292681 01	JD X9 ADAPTOR W/A	1				
2	198521 01	PIN HOLE PLATE	2				
3	WSH-0015	PLAIN WASHER	4				
4	NUT-0265	NYLOC NUT	4				
5	HSS-0198	SETSCREW	4				
6	199467 01	LOCKING PIN	1				
7	PIN-1775	ROLL PIN	1				
8	WSH-0036	PLAIN WASHER	1				
9	SPGC32925	COMPRESSION SPRING	1				
10	197208 01	PACKER PLATE	A/R				
11	SCW-1580	CSK SOCKET HD SCW	A/R				
12	NUTA13060	NUTSERT	6				
13							
14	WSH-0058	SPRING WASHER	22				
15	HSS-0145	SETSCREW	22				
16	HSS-0150	SETSCREW	4				
17							
18							
19	291896 01	TOP SEAL STRIP X9	1				
20	291897 01	TOP CLAMP STRIP X9	1				
21	198717 01	SIDE SEAL	2				
22	199479 01	SEAL CLAMP	2				
23			4				
24	POP-0006	POP RIVET	29				
25	WSH-1034	PENNY WASHER	4				
26	291894 01	BOTTOM SEAL STRIP X9	1				
27							
28	198922 01	LH SEAL PLT	1				
29	198922 02	RH SEAL PLT	1				
30	291895 01	BOTTOM CLAMP STRIP X9	1				
31	198987 01	SIDE CLAMP STRIP	2				
32	290906 01	COVER PLATE	2				
33	WSH-0012	PLAIN WASHER	8				
34	NUT-0263	NYLOC NUT	4				
35	292686 01	SPRING CONNECTOR PLATE	2				
36	WSH-0030	WASHER	8				
37	BLT-2365	BOLT	4				
38	NUTA02200	NUT	4				

Shelbourne Reynolds Engineering Limited



KIT-19109

Shelbourne

REYNOLDS

USA (Office)

Shelbourne Reynolds INC.
1250 South Country Club Drive
P.O. Box 607
Colby, Kansas 67701
USA

General Enquiries (785) 462 6299
colby@shelbourne.com

UK (Main Office)

Shelbourne Reynolds Engineering Ltd
Shepherds Grove Industrial Estate West
Stanton
Bury St Edmunds
Suffolk
England
IP31 2AR

General Enquiries 01359 250415
sales@shelbourne.com

Parts 01359 251231
parts@shelbourne.com

