

Shelbourne

REYNOLDS

6000 SERIES

PARTS MANUAL



HEDGE / VERGE TRIMMER

Shelbourne Reynolds Engineering Ltd
 Stanton
 Bury St Edmunds
 Suffolk
 IP31 2AR
 England

Telephone: 01359 250415
 Fax: 01359 250464

Stores Direct : 01359 251231
 Stores Direct: 01359 252031

Issue 6 07/11/2023

www.shelbourne.com



 YouTube

ORDERING SPARE PARTS

IMPORTANT

Your Powerblade is made up of a Machine assembly number (common parts), specific sub assemblies and also customer optional build kits. The machine, sub assemblies and optional kit numbers are listed in the front pages of your Operators manual, part no. MAN-10003 or MAN-10200. If you do not have these numbers please contact Shelbourne Reynolds Parts Department direct on (telephone) 01359 251231.

To ensure that you order the correct part from your SRE dealer please use the following procedure.

ALWAYS QUOTE THE MACHINE AND SERIAL NUMBERS WHEN ORDERING.

Refer to the Parts Manuals front page/s, listing the machine assemblies. Select the correct machine assembly number which is printed in the top left corner of the page (starting with 8099_ _ 01), This machine number can also be taken off the Powerblade identification plate located on the front of the main chassis beam.

On this page you will find the parts listing for the common parts for every configuration of that machine assembly number.

You will find the corresponding drawing by either looking at the facing page or progressing through the manual to the next drawing.

The drawings indicate the components by item numbers, which you will find, are repeated in the left-hand side of your parts listing, and therefore referring to the correct part.

Note all parts will not be found listed below the machine number. Other parts will be from specific sub assemblies and optional kits. These sub assemblies and kits will be found in numerical order further through the manual. Sub assemblies start with 809_ _ 01 and kits start with
KIT- 08 _ _ _.

List Of Kit Numbers

809917 01	Trimmer Assembly	1
809029 01	Mainframe Sub Assembly	3
809039 01	Tank And Guards Sub Assembly	5
809039 01A	Tank Sub Assembly	7
KIT-08512	Lighting Kit	9
Kit Options		12
KIT-08237B	3 Point Linkage Stabiliser Kit	13
KIT-08239	Axle Mounted Stabilisers	15
KIT-08272	Twin Accumulator Kit	17
KIT-08284	Drawbar Kit	19
KIT-08339	Axle Frame Mounting Kit	21
KIT-08342	3 Point Mounting Kit	23
KIT-08348	6056 Inner Boom Kit	25
KIT-08348A HYD	6056 Inner Boom Hydraulics Kit	27
KIT-08353	6060T Inner Boom Kit	29
KIT-08353A HYD	6060T Inner Boom Hydraulics Kit	31
KIT-08354	6060T Telescopic Boom Kit	33
KIT-08354 HYD	6060T Outer Boom Hydraulics Kit	35
KIT-08372	2PS Cable Rotor, Valve And Control Kit	37
KIT-08372A HYD	2PS Cable Rotor Hydraulics Kit	39
KIT-08387	Hydraulics for Head Options Kit 6060T	41
KIT-08387A HYD	Hydraulics for Head Options Kit 6060T	43
KIT-08401	Blower Kit	45
KIT-08405	6056 Outer Boom Kit	47
KIT-08405A HYD	6056 Outer Boom Hydraulic Kit	49
KIT-08406	Hydraulics for Head Options Kit (6056)	51
KIT-08406A HYD	Hydraulics for Head Options Kit (6056)	53
KIT-08408A	GP Head Mount Kit	55
KIT-08430B HYD	GP1200 HD Motor Hydraulic Kit (Standard Head Mount Kit For 6060T And 6056)	57
KIT-08430D HYD	GP1500 HD Motor Hydraulic Kit (Standard Head Mount Kit For 6060T And 6056)	59
KIT-08431D HYD	GP1500 HD Motor Hydraulics (Narrow Lane Bracket For 6056 And 6060T)	61
KIT-08448B HYD	Head Link Hose Kit (Standard Head Mount For 6060T And 6056)	63
KIT-08448C HYD	Head Link Hose Kit (Narrow Lane bracket Mount For 6060T And 6056)	65

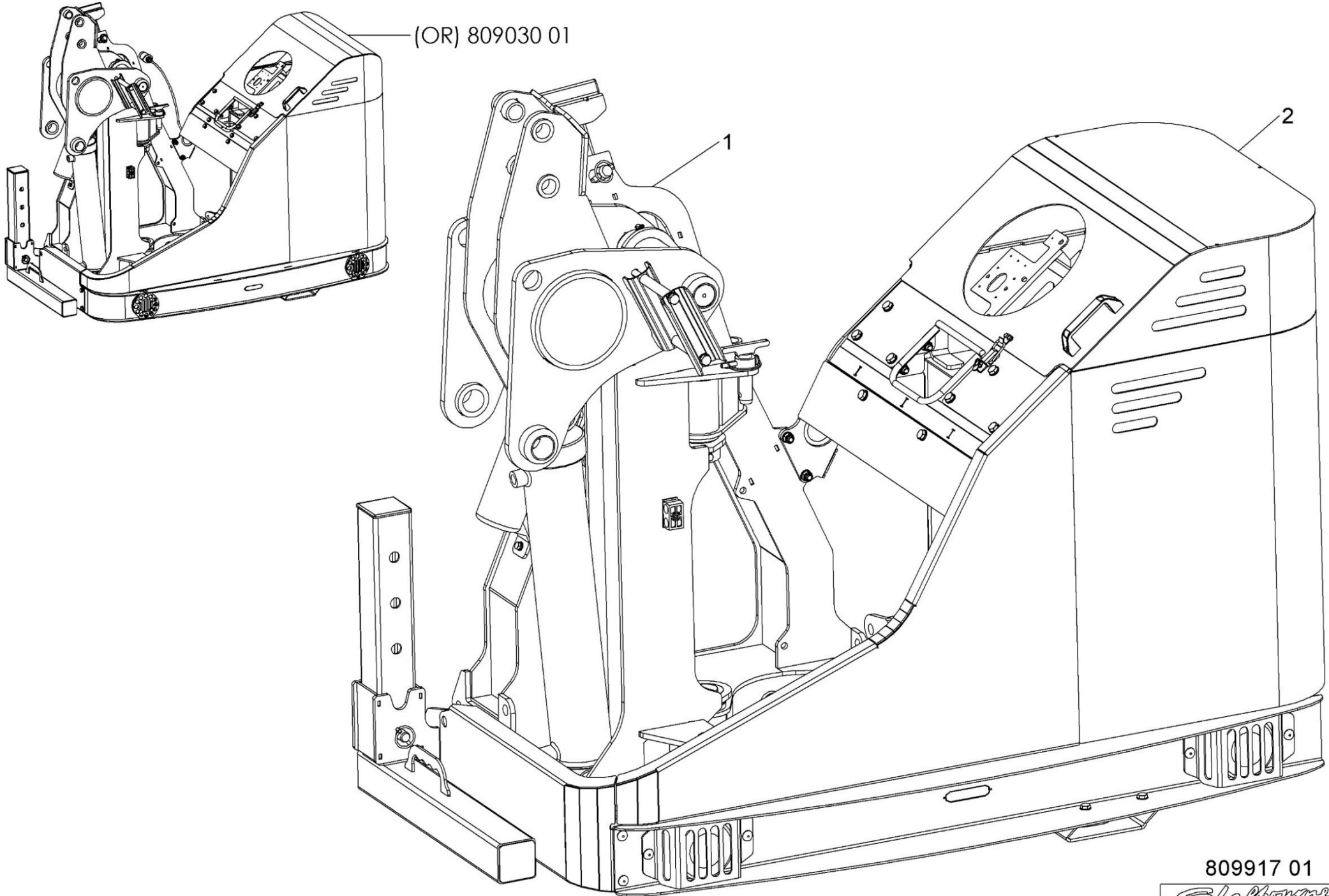
KIT-08448E HYD	Head Link Hose Kit (HC & GP Head For TELE)	67
KIT-08472	Safety Decal Only Transfers Kit	69
KIT-08524	2PS Cable Rotor Valves And Mounting Kit (No Float)	71
KIT-08524B HYD	2PS Cable Rotor Valves Hydraulic Kit (No Float)	73
KIT-08525	2PS Cable Rotor Valves And Mounting Kit (Float)	75
KIT-08525B HYD	2PS Cable Rotor Valves Hydraulic Kit (Float)	77
KIT-08526	Lift And Head Float Kit	79
KIT-08527	Standard Drive Kit	81
KIT-08528	6060T Transfers Kit	83
KIT-08529	6056 Transfers Kit	85
KIT-08530	Highways Transfers Kit	87
KIT-08530A	Highways Transfers Kit With Debris Blower	89
KIT-08533	Valve block Fixing Kit	91

Breakdown Pages 94

HVB-19195	Valve Block Cylinders	95
HVB-19200	Valve Block Cylinders	97

Shelbourne Reynolds Engineering Limited

ASSY NUMBER: 809917 01				ASSY DESCRIPTION: 6000 & 7000 TRIMMER TOP LEVEL			
ITEM	PART NO	DESCRIPTION	QTY	ITEM	PART NO	DESCRIPTION	QTY
1	809029 01	6000 & 7000 MAINFRAME SUB ASSY	1				
2	809039 01	6000 & 7000 TANK & GUARDS SUB	1				
		SER No T7060221675 & ON					
OR	809030 01	7000 TANK & GUARDS SUB ASSY	1				
		UPTO & INC SER No: T7060221673					

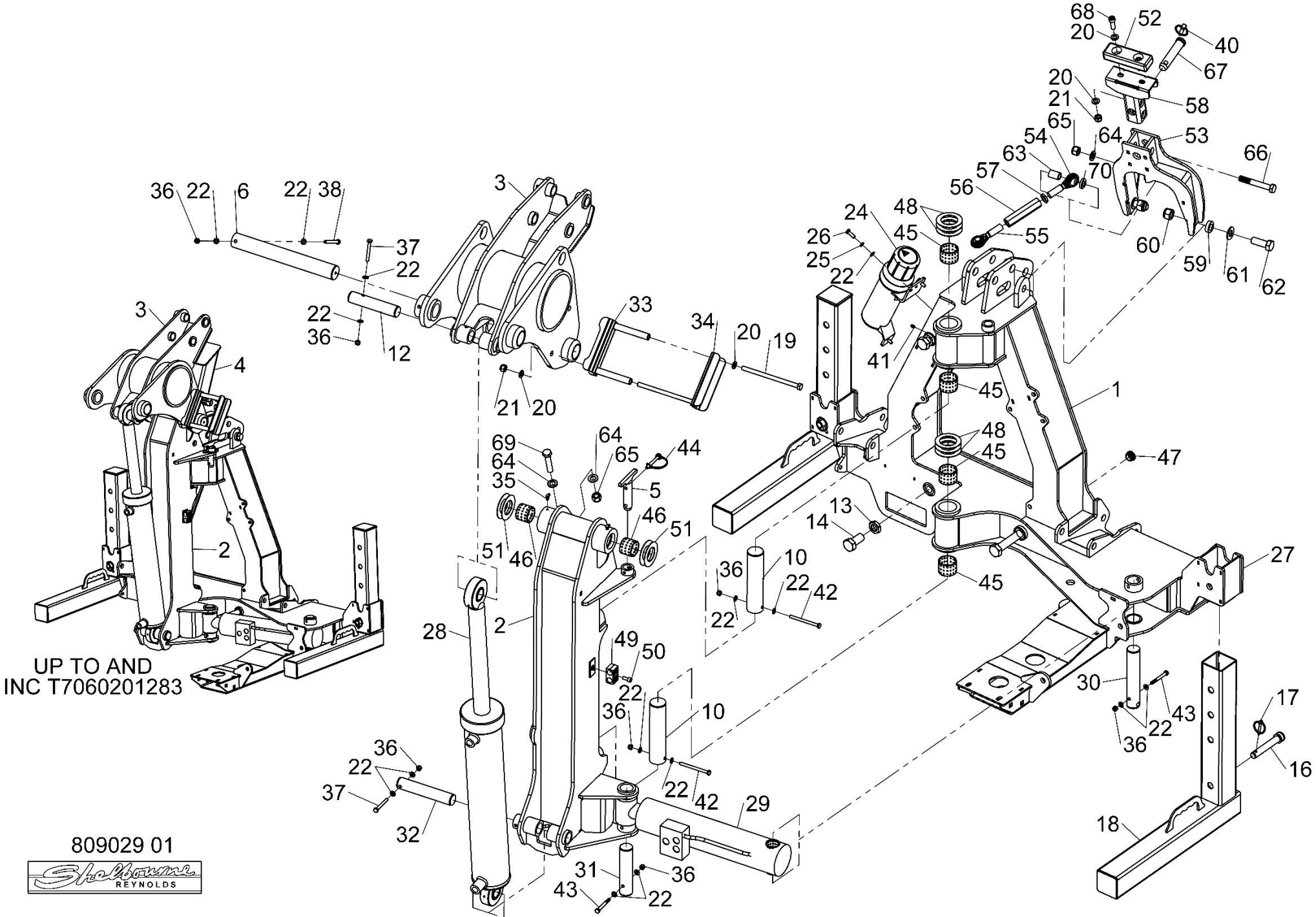


809917 01



Shelbourne Reynolds Engineering Limited

ASSY NUMBER: 809029 01				ASSY DESCRIPTION: 6000 & 7000 MAINFRAME SUB ASSEMBLY			
ITEM	PART NO	DESCRIPTION	QTY	ITEM	PART NO	DESCRIPTION	QTY
1	805400 01	MAIN FRAME W/A	1	35	NIP-00605	GREASE NIPPLE	2
2	806666 01	PILLAR W/A (T****211345 & ON)	1	36	NUT-0263	NYLOC NUT	7
OR	805467 01	PILLAR W/A	1	37	BLTA08410	BOLT	2
3	806679 01	ROCKER W/A (T****211345 & ON)	1	38	BLTA08530	BOLT	1
OR	805481 01	ROCKER W/A	1	39	800198 05	TOP LINK	1
		(UP TO & INC T7060201283)				(UP TO & INC T7060201283)	
4	805487 01	BUMP STOP W/A	1	40	PIN-01950	LYNCH PIN	1
		(UP TO & INC T7060201283)		41	NIP-00600	GREASE NIPPLE	2
5	805388 01	LOCKING PIN W/A	1	42	BLTA08560	BOLT	2
6	800102 12	PIN	1	43	BLTA08440	BOLT	2
7	WSH-0036	WASHER	2	44	PIN-1720	SPRING PIN 'D' CLIP	1
8	NUT-0275	NYLOC NUT	1	45	BSHO05062	WRAPPED BUSH (50 ID x 40LG)	4
9	HSS-0435	BOLT	1	46	BSHO04562	WRAPPED BUSH (45 ID x 40LG)	2
		(UP TO & INC T7060201283)		47	PTF-00130	ROUND INSERT (30mm)	3
10	800141 03	PIN PILLAR PIVOT	2	48	800781 01	SHIM	6
11				49	HCPD01800	HYD PIPE CLAMP	1
12	805979 01	PIN	1	50	SCW-0133	CP HD SCREW	1
13	NUT-0390	HALF NUT	3	51	801502 01	SHIM	4
14	HSS-0400	BOLT	2			52-69 FOR T****21345 & ON ONLY	
15	HSSA24770	BOLT	1	52	801367 01	BUFFER	1
16	39010206	PIN	2	53	804140 01	BUMP STOP W/A	1
17	PIN-01601	LYNCH PIN	2	54	804095 01	RH LINK BALL END	1
18	805510 01	STAND W/A	2	55	804096 01	LH LINK BALL END	1
19	BLTA12830	BOLT	2	56	804236 01	BUMP STOP ADJUSTER	1
20	WSH-0018	WASHER	8	57	NUTB03450	HALF NUT	1
21	NUT-0269	NYLOC NUT	4	58	804031 01	BUMP STOP W/A	1
22	WSH-0012	WASHER	18	59	198800 53	WASHER	2
23	PTF-00121	ROUND INSERT	1	60	NUTA02200	NUT	2
24	PCN-00100	PLASTIC CANISTER	1	61	198800 36	WASHER	2
25	WSH-0058	SPRING WASHER	3	62	BLT-2365	BOLT	2
26	HSS-0145	BOLT	3	63	804141 01	SHORT SPACER	1
27	21709004	PLASTIC CAP	2	64	WSH-0024	WASHER	4
28	805978 01	LIFT CYL	1	65	NUT-0271	NUT	2
29	807534 01	BREAKBACK CYL T70XX231716 & ON	1	66	BLT-2325	BOLT	1
OR	803744 01	BREAKBACK CYL UPTO T70XX231716	1	67	800198 01	PIN	1
30	804227 01	PIN	1	68	SCW-0245	CP HD SCREW	2
31	802839 12	PIN	1	69	HSSA16470	SETSCREW	1
32	805979 02	PIN	1	70	190119 85	190119 85	1
33	805913 01	HOSE GUIDE W/A	1	71			
34	905915 01	HOSE GUIDE PLATE	1	72			



UP TO AND
INC T7060201283

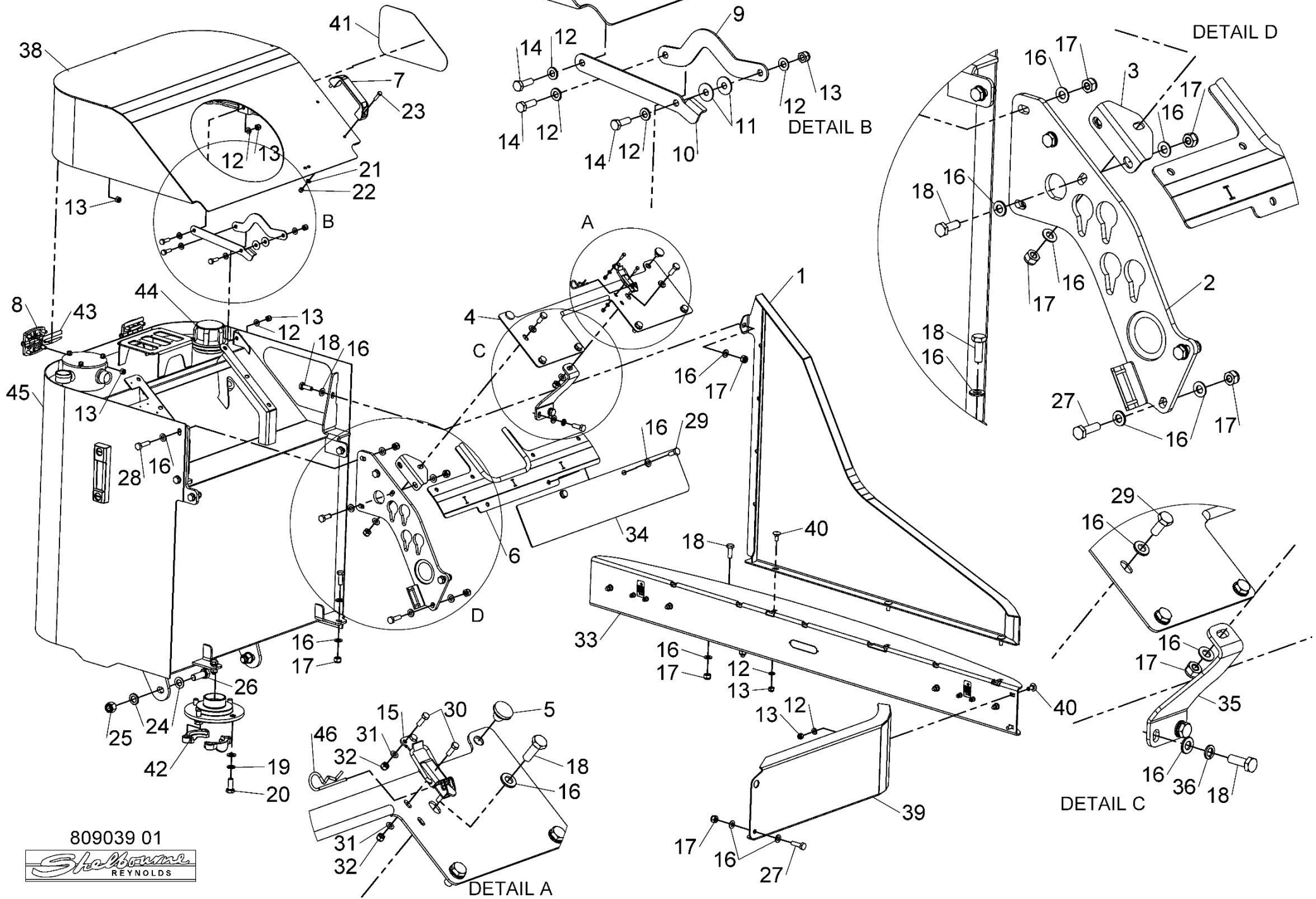
809029 01



Shelbourne Reynolds Engineering Limited

ASSY NUMBER: 809039 01				ASSY DESCRIPTION: 6000 & 7000 TANK & GUARDS SUB ASSEMBLY			
ITEM	PART NO	DESCRIPTION	QTY	ITEM	PART NO	DESCRIPTION	QTY
1	807284 01	GUARD W/A	1	41	805614 01	MESH	1
2	805542 01	HOSE MOUNT W/A	1	42	HFKY60080	FLANGE HALVES	1
3	805385 01	GUARD BRKT	1	43	806802 01	HINGE SHIM	4
4	805519 01	HOSE GUIDE W/A	1	44	809039 01A	7000 TANK SUB ASSY	1
5	RUB-0330	RUBBER GROMMET	2	45	OIL-0027	HYDRAULIC OIL	208L
6	807375 01	LOWER HOSE GUIDE W/A	1	46	CLP-00103	R CLIP	1
7	HND-0000	BLACK PLASTIC HANDLE	1				
8	HIN-10110	HINGE	2				
9	805574 01	HINGE PLATE	1				
10	805576 01	FOLDED HINGE PLATE	1				
11	WSH-1038	PENNY WASHER	2				
12	WSH-0012	WASHER	11				
13	NUT-0263	NYLOC NUT	16				
14	HSS-0145	BOLT	3				
15	LTH-01020	TOGGLE LATCH	1				
16	WSH-0015	WASHER	39				
17	NUT-0265	NYLOC NUT	16				
18	HSS-0194	BOLT	10				
19	WSH-0065	SPRING WASHER	4				
20	HSS-0238	BOLT	4				
21	WSH-0009	WASHER	2				
22	NUT-0260	NYLOC NUT	2				
23	HSS-0088	BOLT	2				
24	WSH-0024	WASHER	4				
25	NUT-0271	NYLOC NUT	2				
26	HSS-0317	BOLT	2				
27	HSS-0198	BOLT	4				
28	HSS-0202	BOLT	2				
29	HSS-0191	BOLT	7				
30	HSS-0058	BOLT	4				
31	WSH-0006	WASHER	4				
32	NUT-0258	NYLOC NUT	4				
33	KIT-08512	LIGHTING KIT	1				
34	807373 01	COVER PLATE	1				
35	805985 01	MOUNTING PLATE	1				
36	WSH-0061	WASHER	2				
37							
38	807278 01	TANK LID	1				
39	807283 01	SIDE GUARD	1				
40	BLT-4710	COACH BOLT	5				

Shelbourne Reynolds Engineering Limited

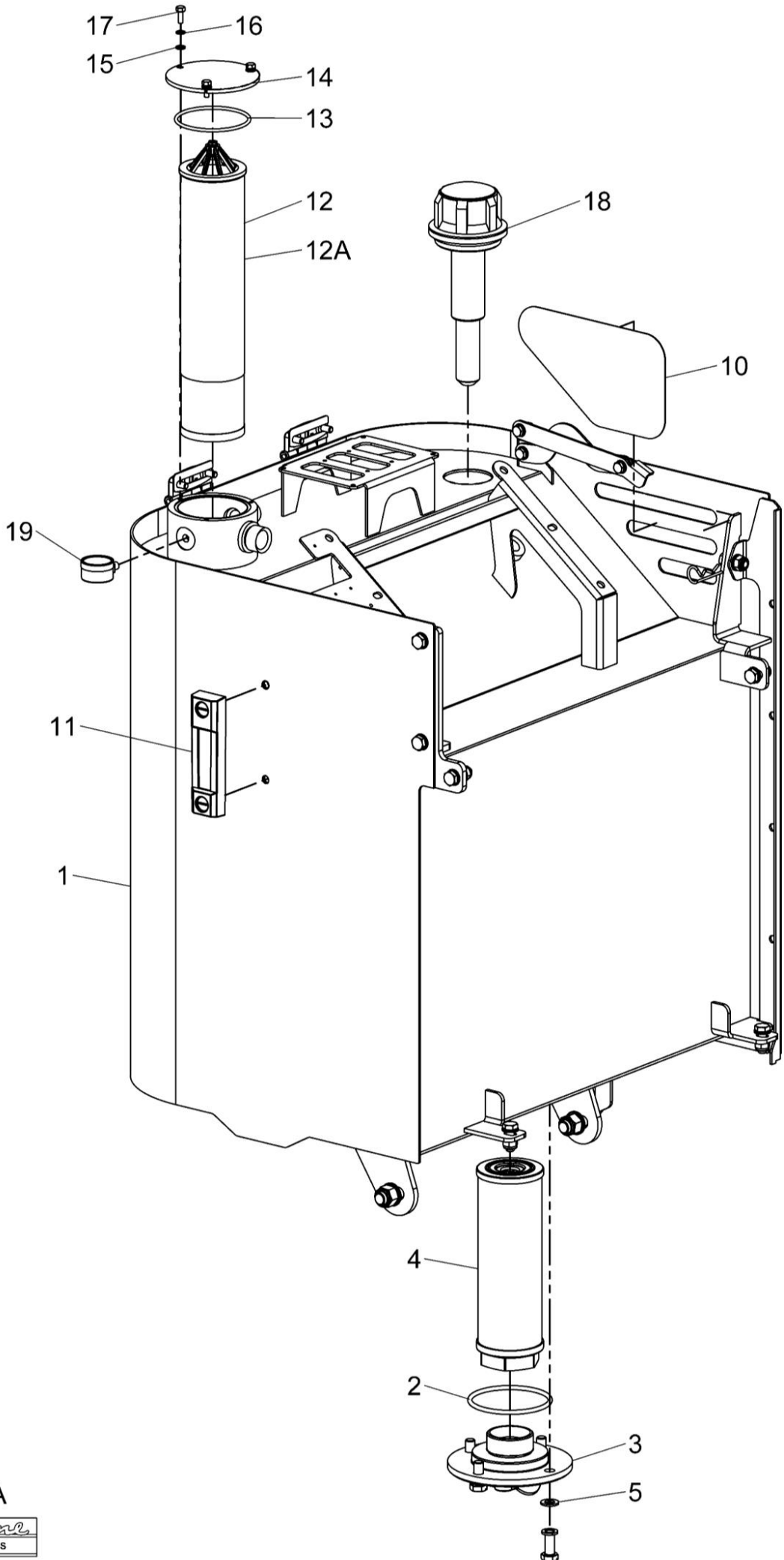


809039 01



Shelbourne Reynolds Engineering Limited

ASSY NUMBER: 809039 01A				ASSY DESCRIPTION: 6000 & 7000 TANK SUB ASSEMBLY			
ITEM	PART NO	DESCRIPTION	QTY	ITEM	PART NO	DESCRIPTION	QTY
1	807415 01	TANK W/A	1				
2	ORA320978	O-RING	1				
3	806064 01	SUCTION FLANGE	1				
4	SUC-0120	SUCTION ELEMENT	1				
5	WSH-0018	WASHER	4				
6							
7							
8							
9							
10	807414 01	MESH	1				
11	GAU-0010	OIL GAUGE	1				
12	FIL-0190A	FILTER & HOLDER	1				
12A	FIL-0200A	FILTER ELEMENT	1				
13	ORA260900	O RING	1				
14	804327 01	RETURN FILTER LID	1				
15	WSH-0009	WASHER	3				
16	WSH-0056	SPRING WASHER	3				
17	HSS-0084	SETSCREW	3				
18	FIL-0180	FILTER BREATHER	1				
19	FIL-0210	FILTER INDICATOR	1				

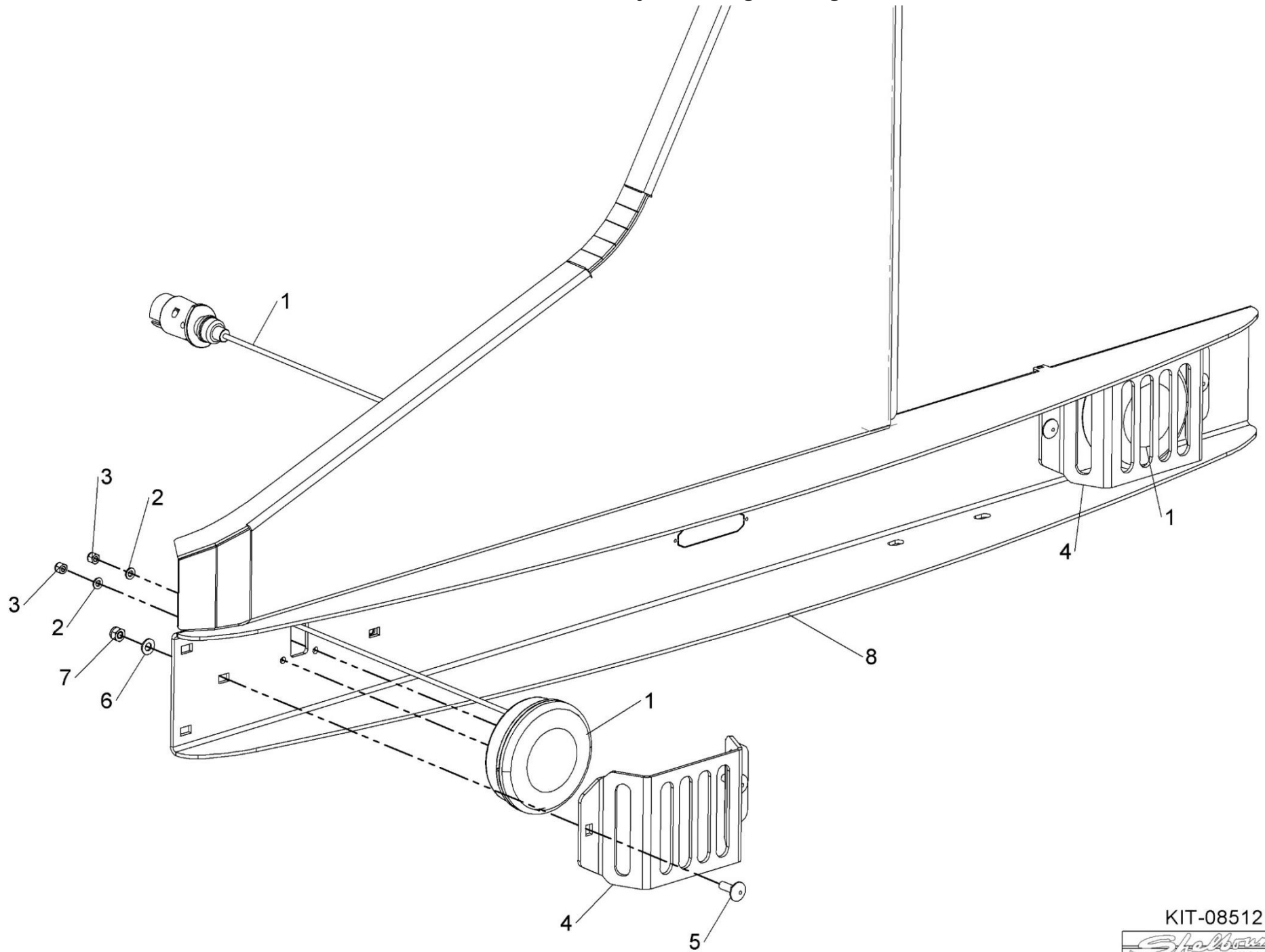


809039 01A



Shelbourne Reynolds Engineering Limited

ASSY NUMBER: KIT-08512				ASSY DESCRIPTION: 6000 & 7000 LIGHTING KIT			
ITEM	PART NO	DESCRIPTION	QTY	ITEM	PART NO	DESCRIPTION	QTY
1	804683 01	MAIN LIGHTING KIT	1				
2	WSH-0009	WASHER	4				
3	NUT-0260	NYLOC NUT	4				
4	807285 01	LIGHT GUARD	2				
5	BLTF08173	COACHBOLT	4				
6	WSH-0012	WASHER	4				
7	NUT-0263	NUT	4				
8	807237 01	LIGHT BOARD	1				



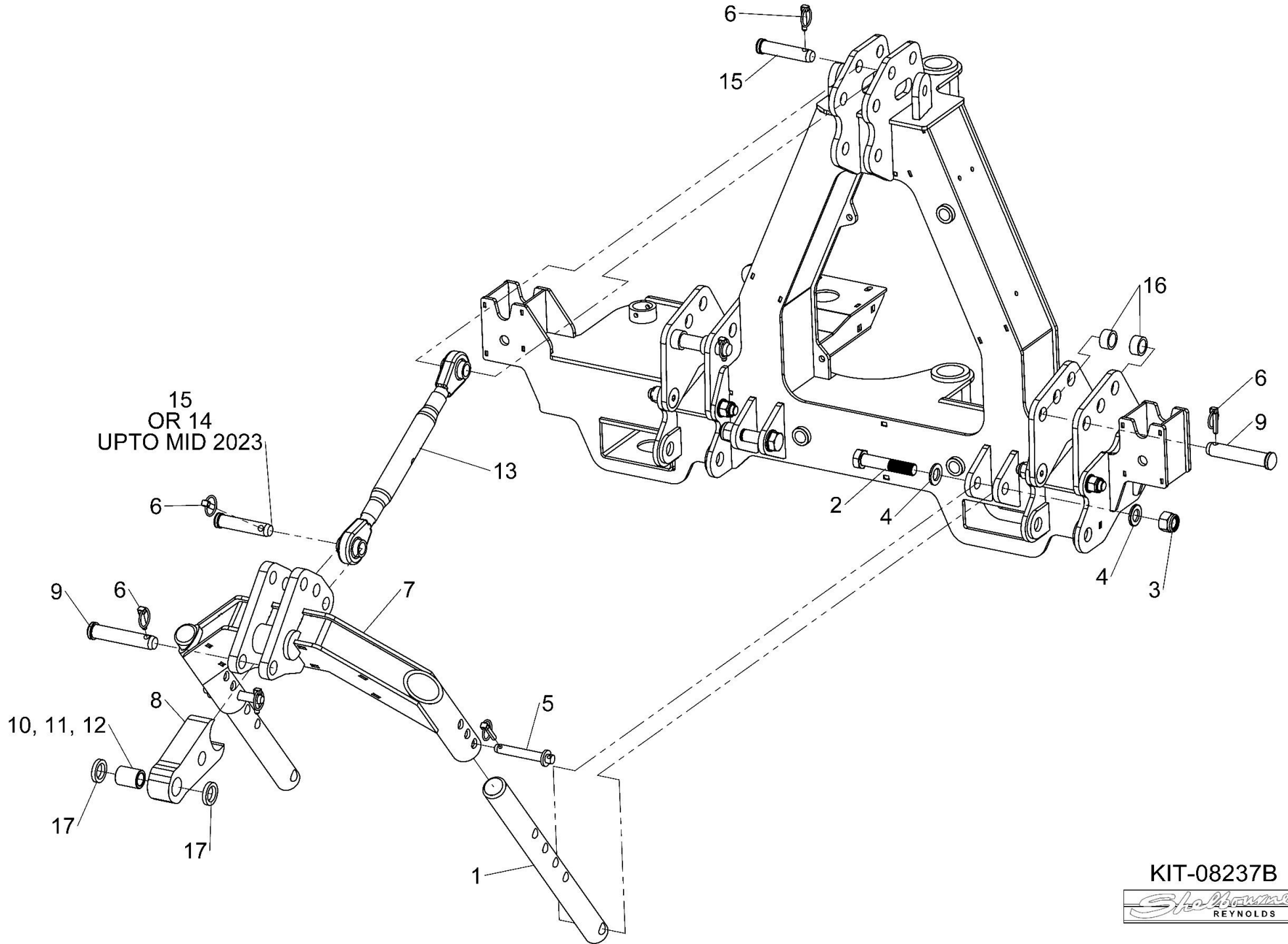
KIT-08512



Kit Options

Shelbourne Reynolds Engineering Limited

ASSY NUMBER:		KIT-08237B		ASSY DESCRIPTION:		STABILISER KIT-3 POINT LINKAGE	
ITEM	PART NO	DESCRIPTION	QTY	ITEM	PART NO	DESCRIPTION	QTY
1	800929 01	3-POINT SHAFT	2				
2	BLTA24624	BOLT	2				
OR	BLTA24620	BOLT	2				
3	NUT-0275	NYLOC NUT	2				
4	WSH-0036	PLAIN WASHER	4				
5	21728202	PIN	2				
6	PIN-01950	LYNCH PIN	5				
7	803942 01	3-POINT YOKE	1				
8	806069 01	NOSE PLATE 38mm	1				
OR	806071 01	LONGER NOSE PLATE 38mm	-				
		AVAILABLE FOR FENDT 5/700 & MF					
OR	807425 01	LONGER NOSE PLATE 40mm	-				
		AVAILABLE FOR FENDT 800/900					
9	800199 01	PIN	3				
10	803949 01	SPACER 38OD 32ID	1				
11	803949 02	SPACER 38OD 28ID	1				
12	803949 03	SPACER 38OD 26ID	1				
13	ADL-11540	TOP LINK	1				
14	-	- MID2023 & ON	-				
OR	800198 02	PIN UPTO MID 2023	1				
15	800198 01	PIN	2				
16	800934 06	SPACER	4				
17	802609 01	SPACER	2				



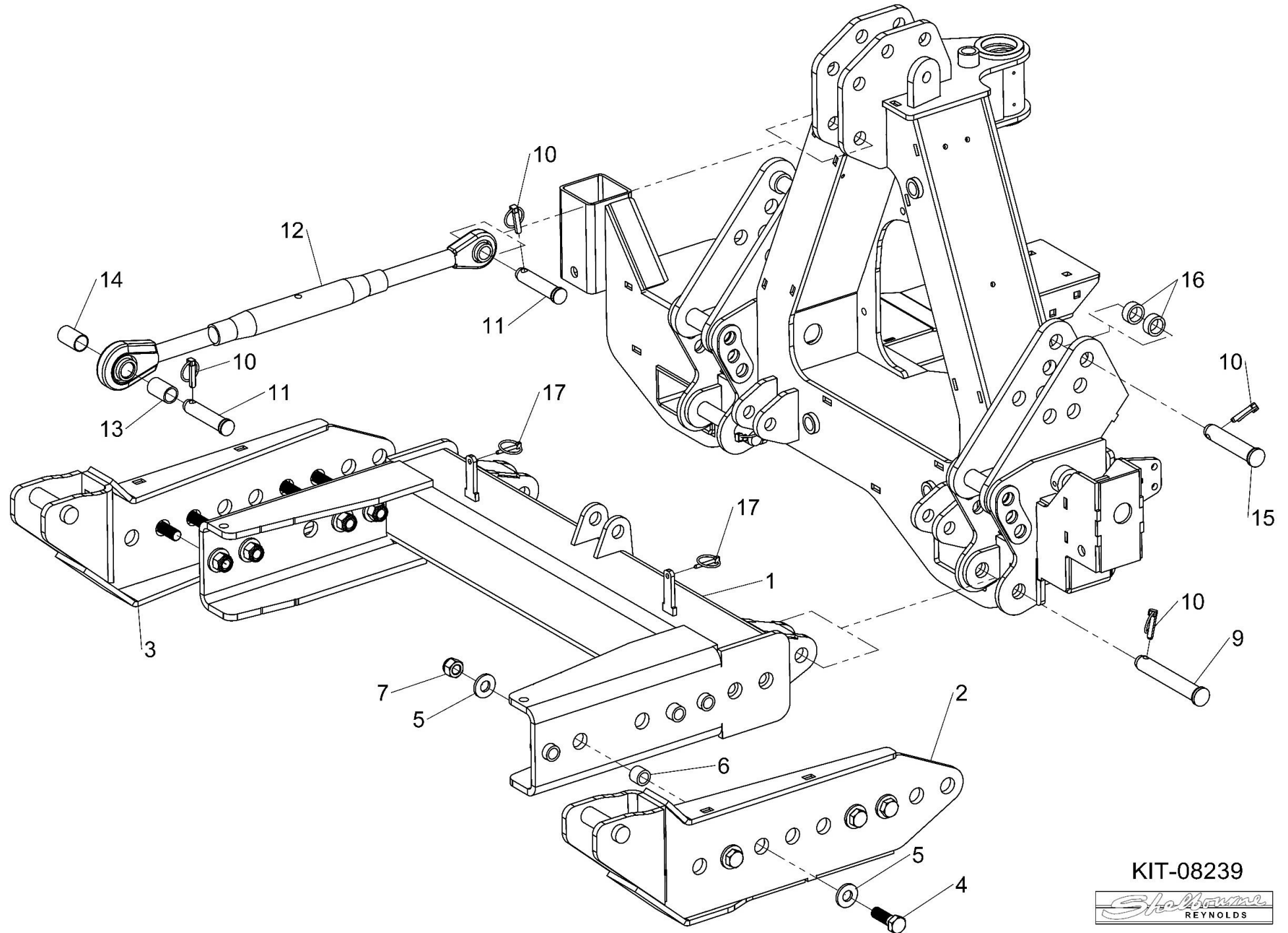
KIT-08237B



Shelbourne Reynolds Engineering Limited

ASSY NUMBER:		KIT-08239		ASSY DESCRIPTION: STABILISERS - AXLE MOUNTING			
ITEM	PART NO	DESCRIPTION	QTY	ITEM	PART NO	DESCRIPTION	QTY
1	803962 01	HITCH SUBFRAME	1				
2	804286 01	LH LIFT ARM	1				
3	804286 02	RH LIFT ARM	1				
4	BLT-2366	BOLT	8				
5	190119 47	WASHER	16				
6	800233 01	SPACER	8				
7	NUTA02200	NYLOC NUT	8				
8							
9	800199 06	PIN	2				
10	PIN-01950	LYNCH PIN	6				
11	800198 01	PIN	2				
12	ADL-13570	TOP LINK ASSY	1				
13	800197 01	SPACER	1				
14	800197 02	SPACER	1				
15	800199 01	LOWER PIN	2				
16	800934 01	SPACER	4				
17	PIN-01601	LYNCH PIN	2				

Shelbourne Reynolds Engineering Limited

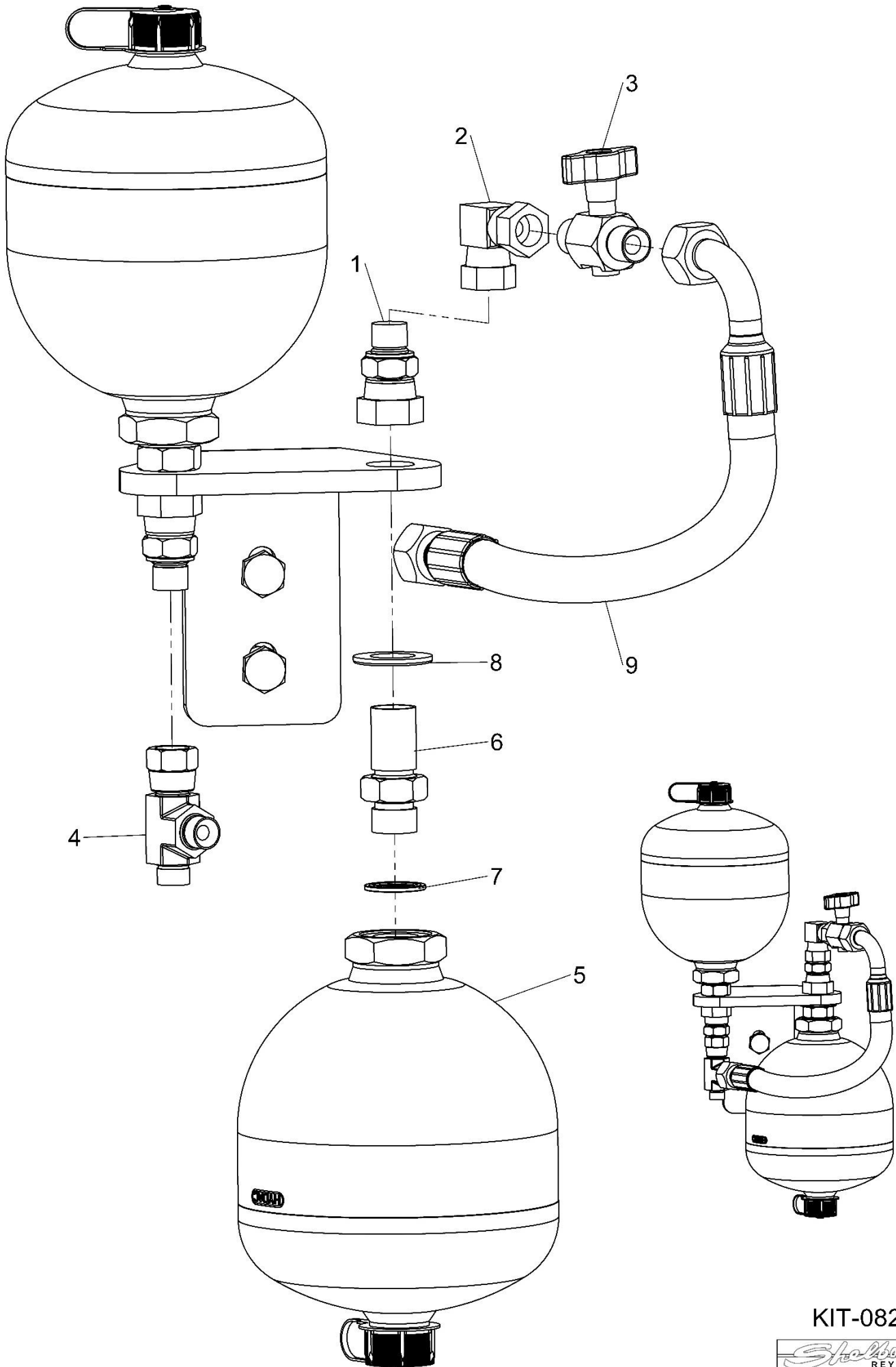


KIT-08239



Shelbourne Reynolds Engineering Limited

ASSY NUMBER: KIT-08272				ASSY DESCRIPTION: TWIN ACCUMULATOR KIT (800,6000,7000 & 8000)			
ITEM	PART NO	DESCRIPTION	QTY	ITEM	PART NO	DESCRIPTION	QTY
1	FIT-0240	ADAPTER	1				
2	HAKAA0505	ADAPTER	1				
3	HVB-02620	SHUT OFF VALVE	1				
4	FITA10410	TEE FITTING	1				
5	HYA-01430	ACCUMULATOR	1				
6	HAGAA0707	BULKHEAD FITTING	1				
7	WSH-1015	DOWTY WASHER	1				
8	WSH-0030	PLAIN WASHER	1				
9	HHBE02405	HYD HOSE	1				

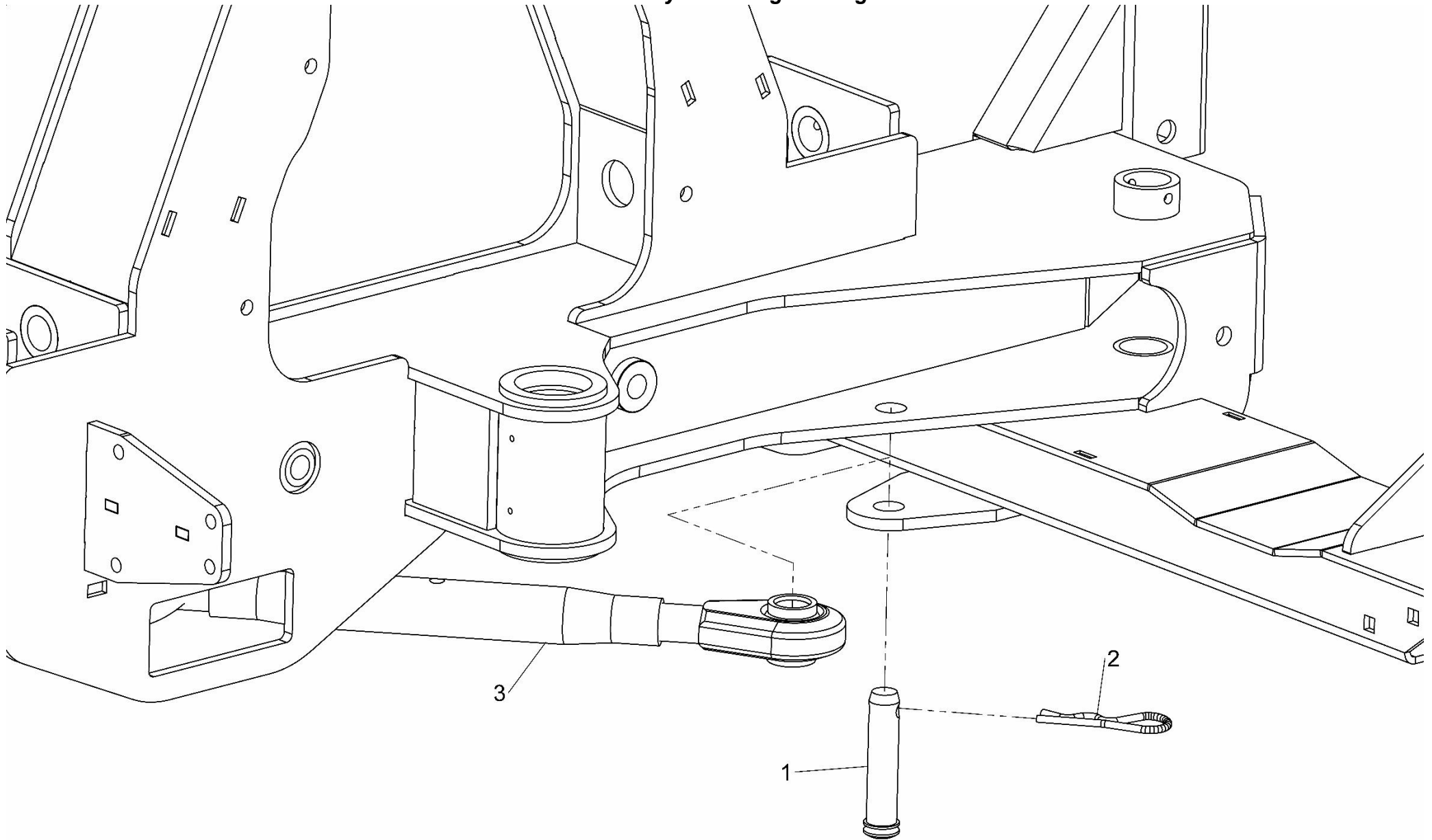


KIT-08272



Shelbourne Reynolds Engineering Limited

ASSY NUMBER: KIT-08284				ASSY DESCRIPTION: DRAWBAR KIT (400,600,6000, 7000,HD800 & 8000)			
ITEM	PART NO	DESCRIPTION	QTY	ITEM	PART NO	DESCRIPTION	QTY
1	800198 01	TOP LINK PIN CAT II	1				
2	CLP-00106	R CLIP	1				
3	ADL-13500	ADJUSTABLE TOP LINK	1				
OR	ADL-13570	ADJUSTABLE TOP LINK (LONGER)	AR				
						FOR 400 PB45X201298 & ON FOR 600 MID 2019 & ON	

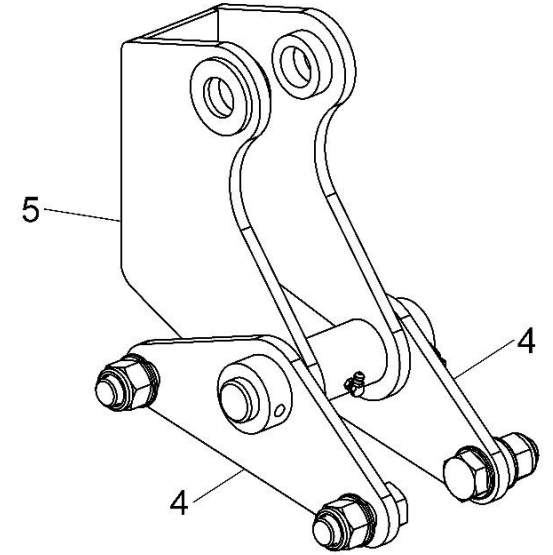
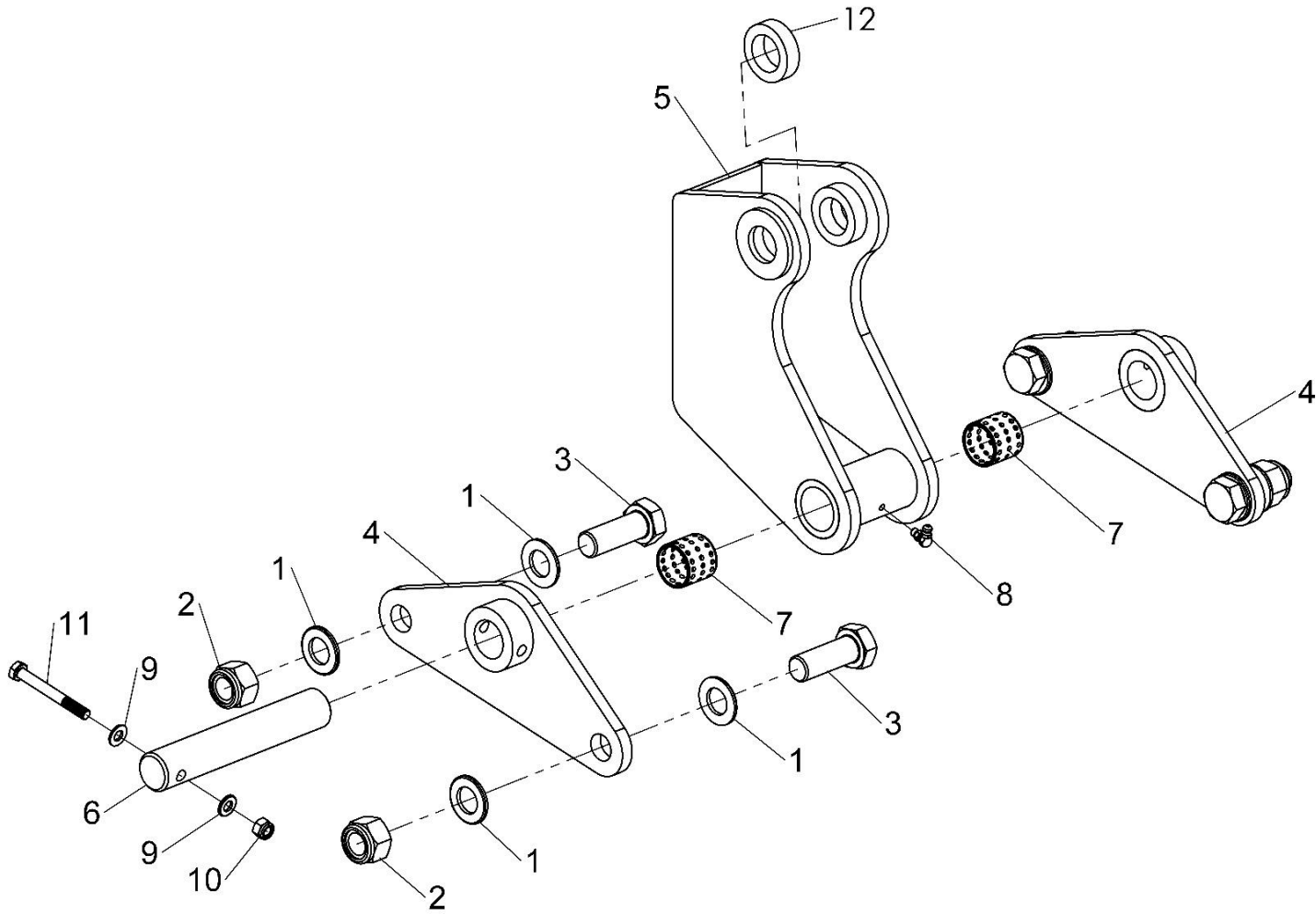


KIT-08284



Shelbourne Reynolds Engineering Limited

ASSY NUMBER: KIT-08339				ASSY DESCRIPTION: AXLE FRAME MOUNTING KIT			
ITEM	PART NO	DESCRIPTION	QTY	ITEM	PART NO	DESCRIPTION	QTY
1	WSH-0030	WASHER	16				
2	NUTA02200	NYLOC NUT	8				
3	BLT-2365	BOLT	8				
4	805448 01	PIVOT W/A	4				
5	805450 01	LIFT PIVOT W/A	2				
6	800101 06	PIN MAIN FRAME	2				
7	BSHO03056	WRAPPED BUSH	4				
8	NIP-00605	GREASE NIPPLE	2				
9	WSH-0012	WASHER	4				
10	NUT-0263	NYLOC NUT	2				
11	BLTA08440	BOLT	2				
12	807571 01	WASHER 450D	4				

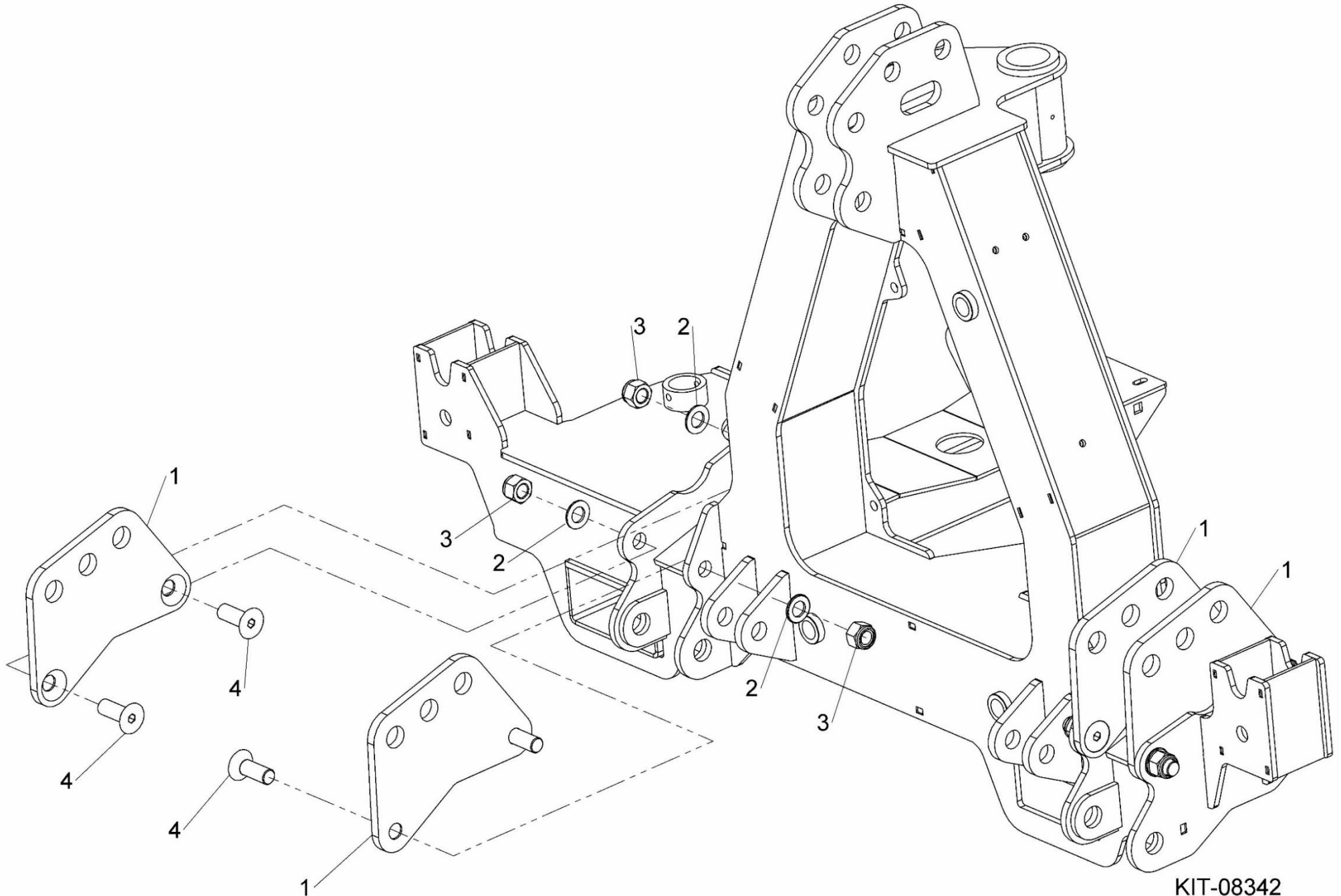


KIT-08339



Shelbourne Reynolds Engineering Limited

ASSY NUMBER: KIT-08342				ASSY DESCRIPTION: 3-POINT MOUNTING KIT			
ITEM	PART NO	DESCRIPTION	QTY	ITEM	PART NO	DESCRIPTION	QTY
1	805489 01	LIFTING PLATE	4				
2	WSH-0030	WASHER	8				
3	NUTA02200	NYLOC NUT	8				
4	SCEA20553	COUNTERSUNK SCREW	8				

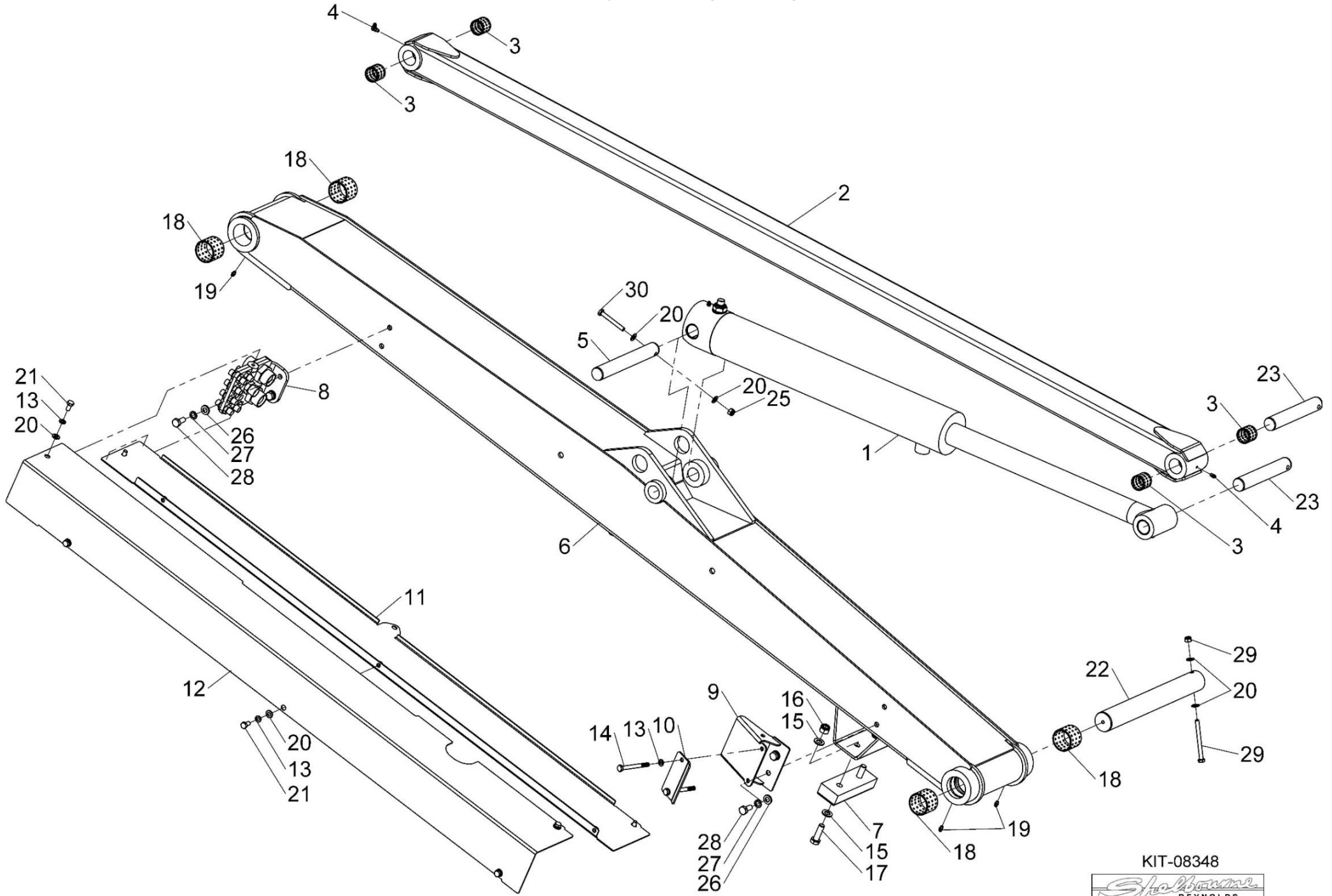


KIT-08342



Shelbourne Reynolds Engineering Limited

ASSY NUMBER: KIT-08348				ASSY DESCRIPTION: 6056 / 7062 VFR INNER BOOM KIT			
ITEM	PART NO	DESCRIPTION	QTY	ITEM	PART NO	DESCRIPTION	QTY
1	801303 01	RAM	1				
2	806093 02	TIE ARM W/A	1				
3	BSHO03056	BUSH	4				
4	NIP-00605	GREASE NIPPLE	3				
5	800987 15	PIN	1				
OR	800987 27	PIN	1				
6	805619 01	INNER BOOM W/A	1				
7	801367 01	BUFFER	1				
8	805642 01	BULKHEAD W/A	1				
9	805646 01	HOSE GUIDE W/A	1				
10	805647 01	HOSE CLAMP	1				
11	806300 01	HOSE GUARD W/A	1				
12	805650 01	GUARD	1				
13	WSH-0058	SPRING WASHER	10				
14	BLTA08500	BOLT	2				
15	WSH-0018	WASHER	4				
16	NUT-0269	NYLOC NUT	2				
17	BLTA12260	BOLT	2				
18	BSHO04562	BUSH	4				
19	NIP-00600	GREASE NIPPLE	5				
20	WSH-0012	WASHER	12				
21	HSS-0135	BOLT	8				
22	800102 12	PIN	1				
23	800987 18	PIN ROCKER	2				
24							
25	NUT-0263	NYLOC NUT	2				
26	WSH-0015	WASHER	4				
27	WSH-0061	WASHER	4				
28	HSS-0191	SETSCREW	4				
29	BLTA08410	BOLT	1				
30	BLTA08530	BOLT	1				

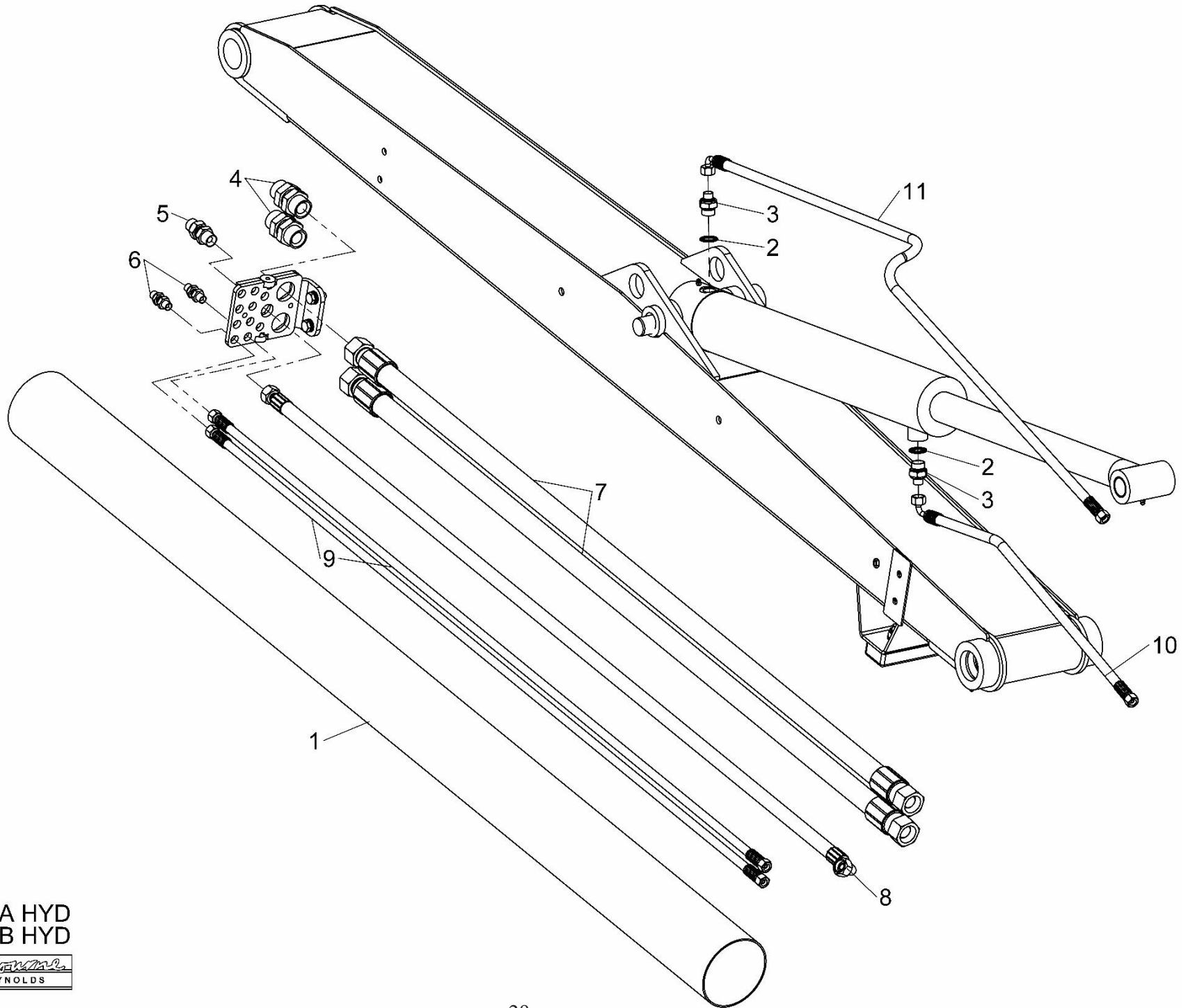


KIT-08348



Shelbourne Reynolds Engineering Limited

ASSY NUMBER: KIT-08348A HYD				ASSY DESCRIPTION: 6056 & 7056 INNER BOOM HYDRAULICS KIT			
ITEM	PART NO	DESCRIPTION	QTY	ITEM	PART NO	DESCRIPTION	QTY
1	HHS-05020	SLEEVE	1.8m				
2	WSH-1015	DOWTY WASHER	2				
3	HMA-0065	M/M ADAPTOR	2				
4	HAGAA1313	HYD BULKHEAD ADAPTOR	2				
5	HAGAA0707	HYD BULKHEAD ADAPTOR	1				
6	HBK-0010	HYD BULKHEAD ADAPTOR	2				
7	HHAI31005	HYD HOSE ASSY	2				
8	HHBF35005	HYD HOSE ASSY	1				
9	HHAC31005	HYD HOSE ASSY	2				
10	HHCE24505	HYD HOSE ASSY	1				
11	HHCE26005	HYD HOSE ASSY	1				

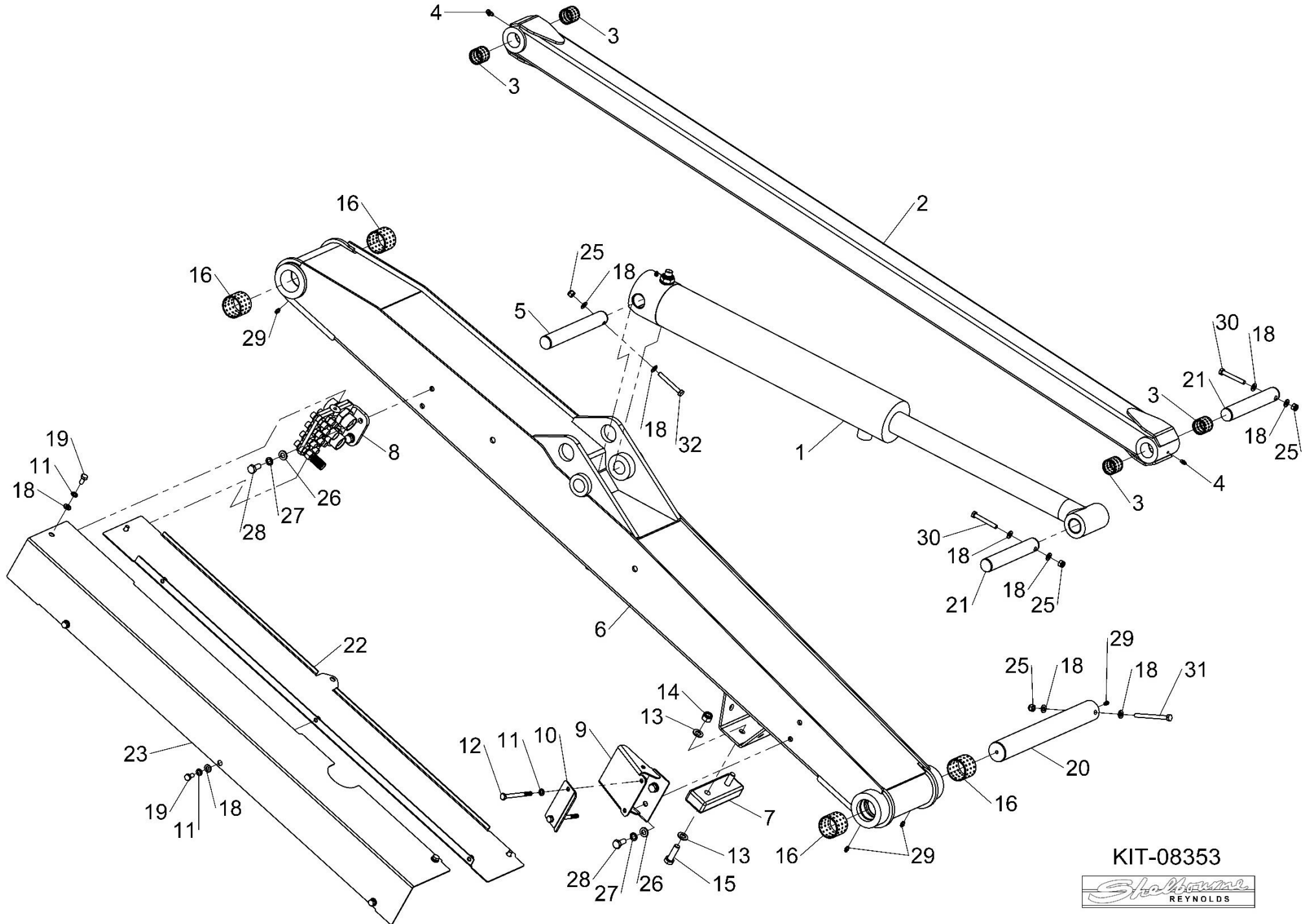


KIT-08348A HYD
KIT-08348B HYD



Shelbourne Reynolds Engineering Limited

ASSY NUMBER: KIT-08353				ASSY DESCRIPTION: 6 / 7060T INNER BOOM KIT			
ITEM	PART NO	DESCRIPTION	QTY	ITEM	PART NO	DESCRIPTION	QTY
1	801303 01	REACH RAM	1				
2	806093 01	TIE ARM W/A	1				
3	BSHO03056	BUSH	4				
4	NIP-00605	GREASE NIPPLE	3				
5	800987 15	REACH RAM PIN	1				
OR	800987 27	REACH RAM PIN	1				
6	805675 01	INNER BOOM W/A	1				
7	801367 01	BUFFER	1				
8	805642 01	BULKHEAD W/A	1				
9	805646 01	HOSE GUIDE W/A	1				
10	805647 01	HOSE CLAMP	1				
11	WSH-0058	WASHER	12				
12	BLTA08500	BOLT	2				
13	WSH-0018	WASHER	4				
14	NUT-0269	NUT	2				
15	BLTA12260	BOLT	2				
16	BSHO04562	BUSH	4				
17							
18	WSH-0012	WASHER	18				
19	HSS-0135	SETSCREW	8				
20	800102 12	PIN	1				
21	800987 18	ROCKER PIN	2				
22	805681 01	LOWER GUARD W/A	1				
23	805682 01	OUTER GUARD	1				
24							
25	NUT-0263	NUT	4				
26	WSH-0015	WASHER	4				
27	WSH-0061	WASHER	4				
28	HSS-0191	SETSCREW	4				
29	NIP-00600	GREASE NIPPLE	5				
30	BLTA08380	BOLT	2				
31	BLTA08530	BOLT	1				
32	BLTA08410	BOLT	1				

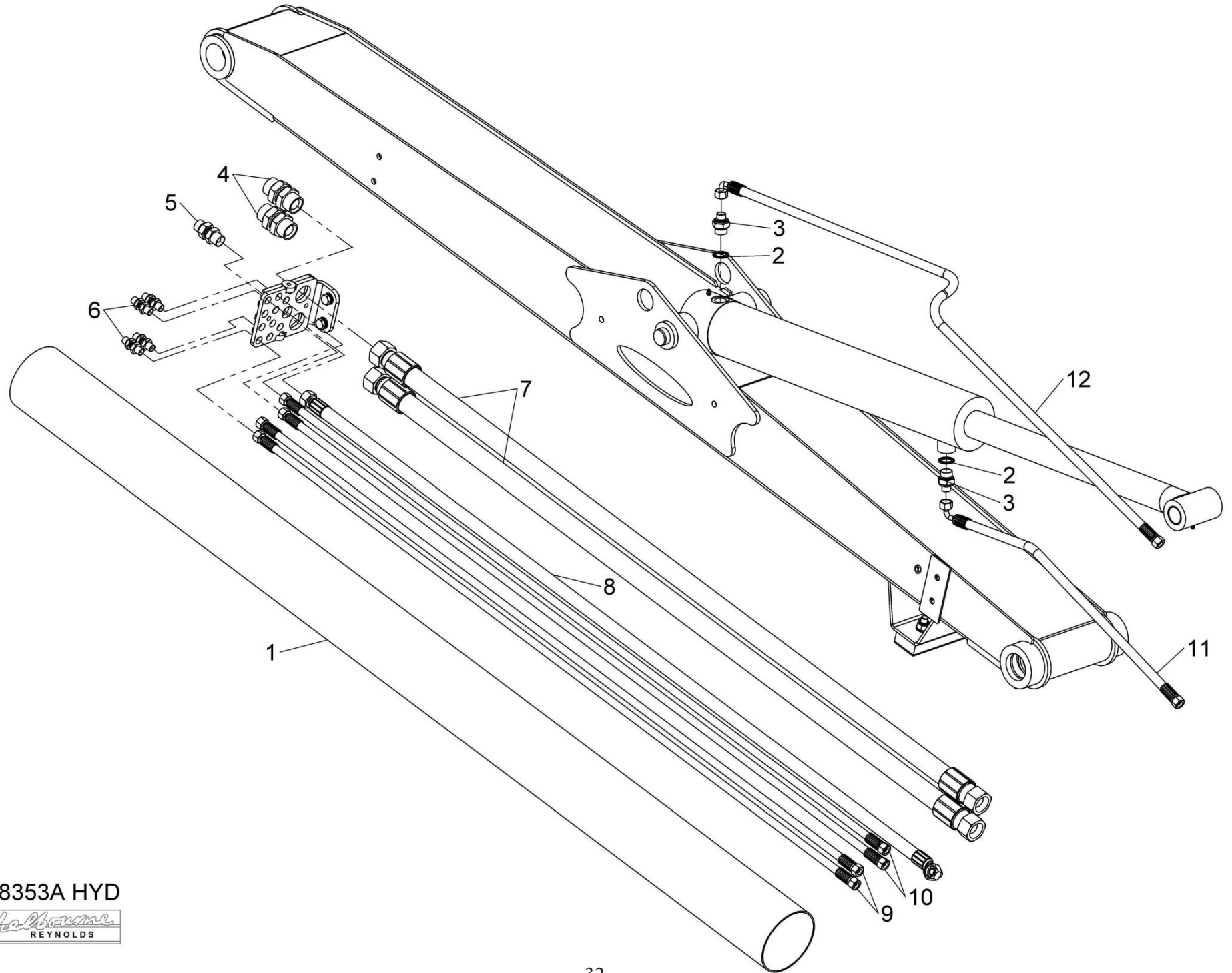


KIT-08353



Shelbourne Reynolds Engineering Limited

ASSY NUMBER: KIT-08353A HYD				ASSY DESCRIPTION: 6 / 7060T INNER BOOM HYDRAULICS KIT			
ITEM	PART NO	DESCRIPTION	QTY	ITEM	PART NO	DESCRIPTION	QTY
1	HHS-05020	SLEEVE	2m				
2	WSH-1015	DOWTY WASHER	2				
3	HMA-0065	M/M ADAPTOR	2				
4	HAGAA1313	HYD BULKHEAD ADAPTOR	2				
5	HAGAA0707	HYD BULKHEAD ADAPTOR	1				
6	HBK-0010	HYD BULKHEAD ADAPTOR	4				
7	HHAI27505	HYD HOSE ASSY	2				
8	HHBF31505	HYD HOSE ASSY	1				
9	HHAC27205	HYD HOSE ASSY	2				
10	HHAC28705	HYD HOSE ASSY	2				
11	HHCE24505	HYD HOSE ASSY	1				
12	HHCE26005	HYD HOSE ASSY	1				

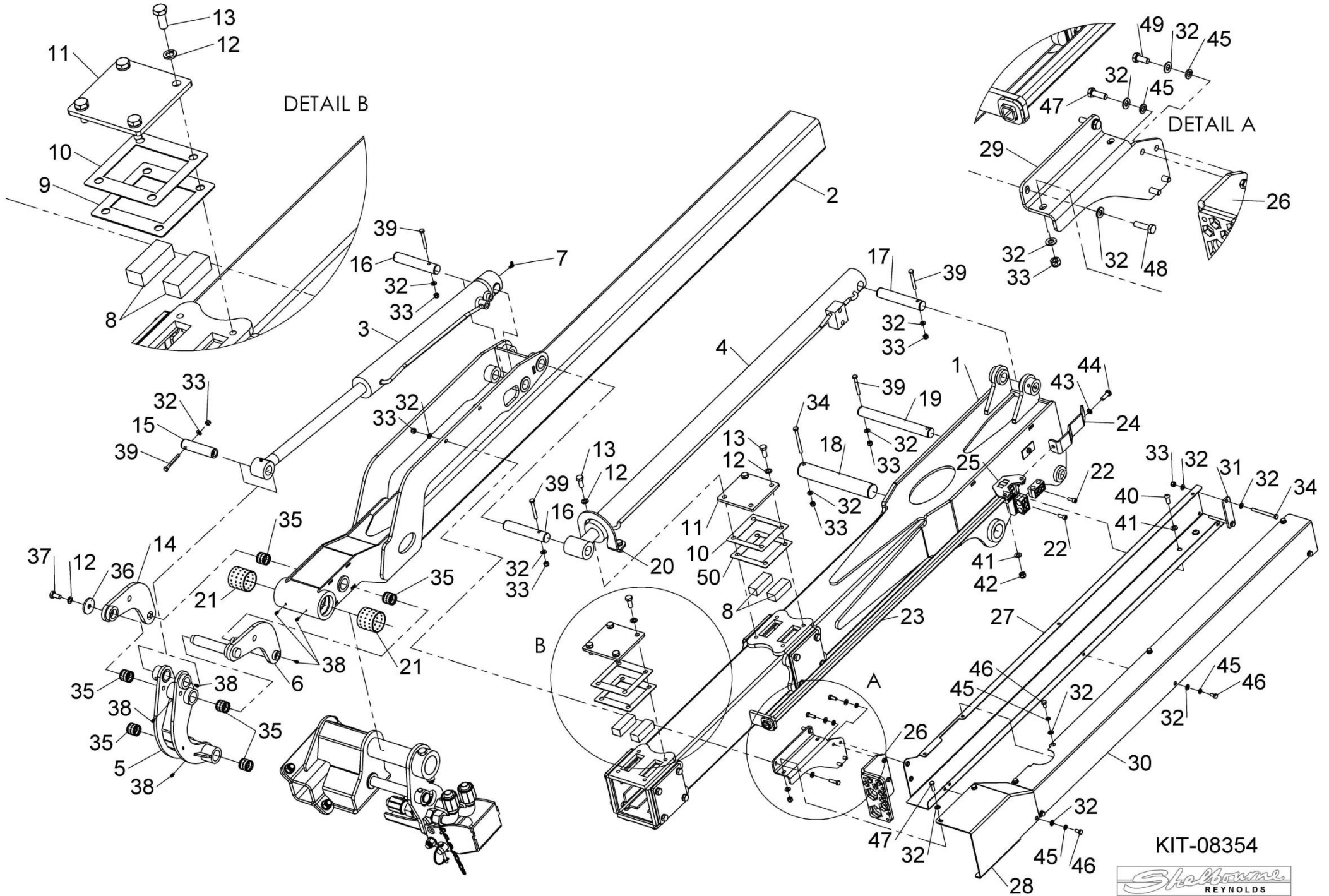


KIT-08353A HYD



Shelbourne Reynolds Engineering Limited

ASSY NUMBER: KIT-08354				ASSY DESCRIPTION: 6 / 7060T TELESCOPIC BOOM KIT			
ITEM	PART NO	DESCRIPTION	QTY	ITEM	PART NO	DESCRIPTION	QTY
1	805663 01	OUTER TELE BOOM W/A	1	38	NIP-00600	GREASE NIPPLE	6
2	805686 01	INNER TELE BOOM W/A	1	39	BLTA08410	BOLT	5
3	801236 01	RAM	1	40	SCW-0514	BUT HD SCREW	2
4	801235 01	RAM	1	41	WSH-0015	PLAIN WASHER	4
5	806029 01	2 ND CURVE LINK W/A	1	42	NUT-0265	NYLOC NUT	2
6	800097 01	1 ST CURVE LINK W/A	1	43	WSH-0061	SPRING WASHER	1
7	NIP-00605	GREASE NIPPLE	1	44	HSS-0194	BOLT	1
8	803988 01	WEAR PAD	16	45	WSH-0058	SPRING WASHER	12
9	806114 01	SHIM	6	46	HSS-0135	SETSCREW	8
10	806114 02	SHIM	6	47	HSS-0145	SETSCREW	4
11	804412 01	WEAR PLATE RETAINER	8	48	HSS-0150	SETSCREW	2
12	WSH-0065	SPRING WASHER	34	49	HSS-0140	SETSCREW	2
13	HSS-0238	SETSCREW	32	50	806114 03	SHIM	6
14	800098 01	1 ST CURVE PLATE W/A	1				
15	800101 03	PIN HEAD ANG RAM	1				
16	800101 25	PIN TELE RAM ROD	2				
		UP TO & INC T7060201268					
or	800987 18	PIN TELE RAM ROD	2				
		SER NO T7060201282 & ON					
17	800987 08	PIN TELE RAM BODY	1				
18	801406 01	PIN INNER BOOM END	1				
19	800987 31	PIN TIE ARM	1				
20	804429 01	CYLINDER SUPPORT PLATE	1				
21	BSHO06071	BUSH	2				
22	SCW-0133	CAP HEAD SCREW	2				
23	800994 01	SLIDE TUBE W/A	1				
24	805689 01	DEFLECTOR BRACKET	1				
25	806281 01	SLIDING BOSS W/A	1				
26	804422 01	BULKHEAD W/A	1				
27	805694 01	GUARD W/A	1				
28	805692 01	SMALL GUARD	1				
29	805690 01	GUARD MOUNT	1				
30	805868 01	MAIN GUARD	1				
31	804721 01	CLAMP PLATE	1				
32	WSH-0012	PLAIN WASHER	30				
33	NUT-0263	NYLOC NUT	12				
34	BLTA08530	BOLT	3				
35	BSHO03056	BUSH	6				
36	190119 15	WASHER	2				
37	HSS-0235	SETSCREW	2				

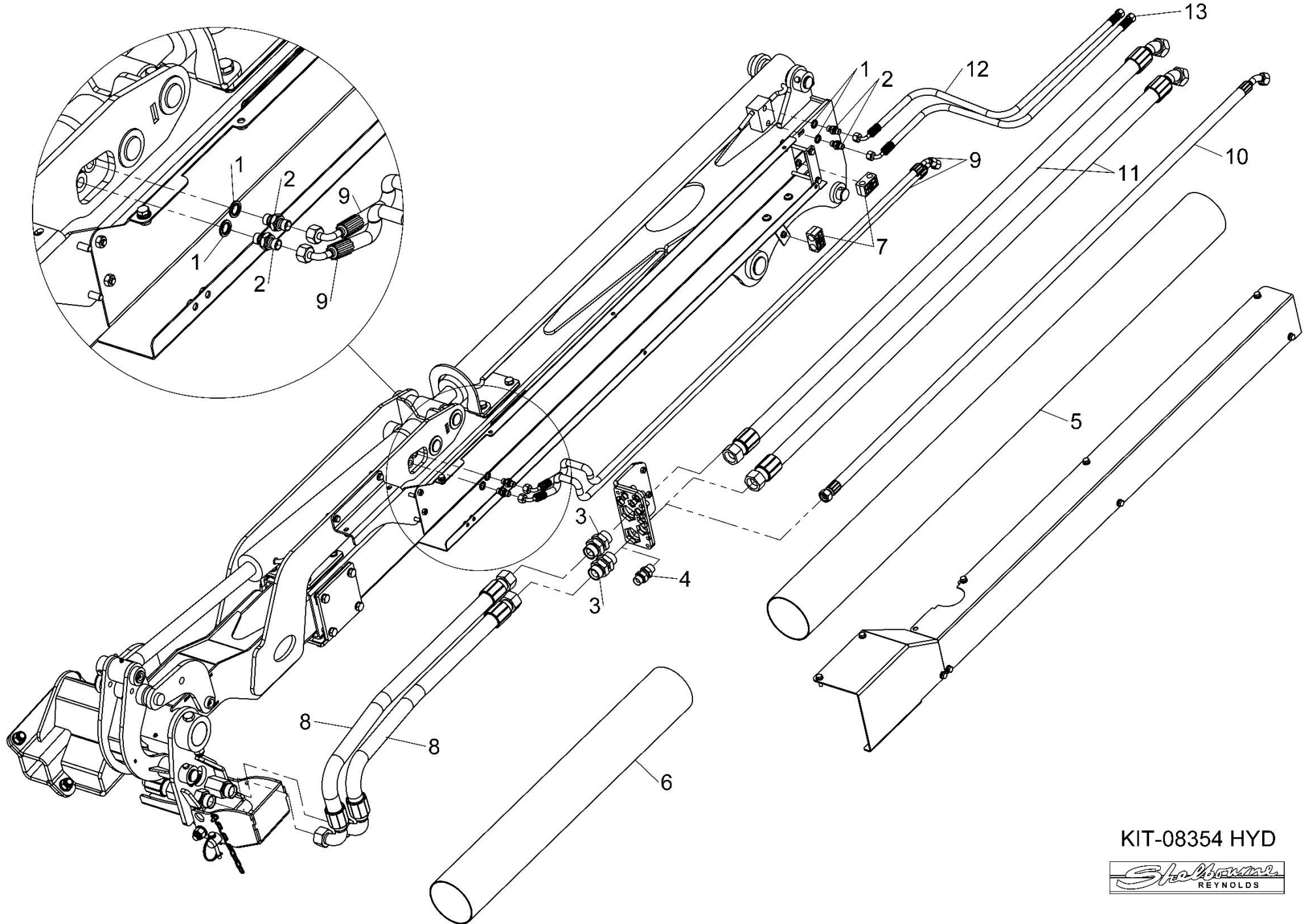


KIT-08354



Shelbourne Reynolds Engineering Limited

ASSY NUMBER: KIT-08354 HYD				ASSY DESCRIPTION: 6 / 7060T OUTER BOOM HYDRAULIC KIT			
ITEM	PART NO	DESCRIPTION	QTY	ITEM	PART NO	DESCRIPTION	QTY
1	WSH-1005	DOWTY WASHER	4				
2	HMA-0052	M/M ADAPTOR	4				
3	HAGAA1313	BULKHEAD ADAPTOR	2				
4	HAGAA0707	BULKHEAD ADAPTOR	1				
5	HHS-05020	HOSE SLEEVE	1.7m				
6	HHS-05020	HOSE SLEEVE	1.1m				
7	HCPD01400	HYD PIPE CLAMP	2				
8	HHBI09105	HYD HOSE ASSY	2				
9	HHHC32005	HYD HOSE ASSY	2				
10	HHDF31005	HYD HOSE ASSY	1				
11	HHDI29705	HYD HOSE ASSY	2				
12	HHBC08305	HOSE T7060231770 & ON	1				
OR	HHBC08005	HOSE T7060211376 TO 231770	1				
OR	HHBC10605	HOSE UPTO T7060211376	1				
13	HHBC08605	HOSE T7060231770 & ON	1				
OR	HHBC08305	HOSE T7060211376 TO 231770	1				
OR	HHBC10905	HOSE UPTO T7060211376	1				

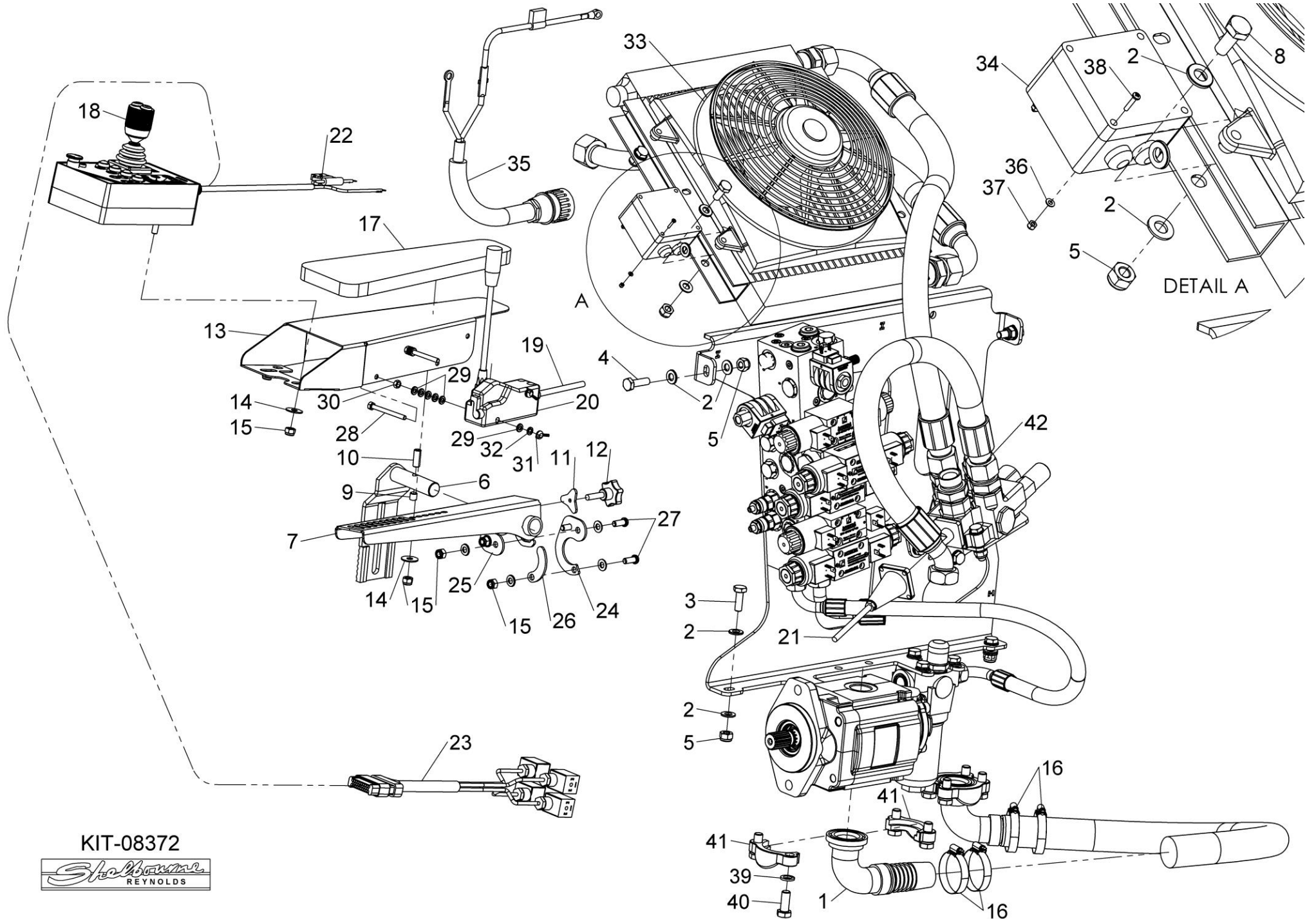


KIT-08354 HYD



Shelbourne Reynolds Engineering Limited

ASSY NUMBER: KIT-08372				ASSY DESCRIPTION: HYDRAULIC & CONTROLS KIT			
ITEM	PART NO	DESCRIPTION	QTY	ITEM	PART NO	DESCRIPTION	QTY
1	HFKR05080	SUCTION ELBOW	2	41	HFKY60080	FLANGE HALVES	2
2	WSH-0015	WASHER	16	42	KIT-08372A HYD	2PS CABLE ROTOR HYD KIT	1
3	HSS-0194	SETSCREW	2				
4	HSS-0198	SETSCREW	2				
5	NUT-0265	NUT	8				
6	801708 01	ARMREST FIXING BRKT	1				
7	801706 01	ARMREST W/A	1				
8	HSS-0191	SETSCREW	4				
9	SCW-4590	GRUBSCREW	1				
10	SCGA10178	GRUBSCREW	1				
11	801100 01	LOCK	1				
12	KN0-0002	KNOB	1				
13	802239 01	JOYSTICK MTG ASSY	1				
14	WSH-1038	PENNY WASHER	4				
15	NUT-0263	NUT	4				
16	CLP-0075	JUBILEE CLIP	4				
17	802242 01	FOAM PADDING	1				
18	804120 01	ELECTRIC JOYSTICK	1				
19	CBL-30005	CABLE	1				
20	LVR-00410	LEVER ASSY	1				
21	HVB-08010	CABLE FIXING KIT	1				
22	802561 01	BATTERY CONNECTION KIT	1				
23	804121 01	MACHINE LOOM	1				
24	804109 01	HOOK	1				
25	804111 01	BACK PLATE	1				
26	804110 01	LATCH PLATE	1				
27	SCW-0525	BUTT SOC HD SCREW	3				
28	HSSA06410	SETSCREW	2				
29	WSH-0009	WASHER	4				
30	NUT-0160	NUT	4				
31	NUTA04060	WING NUT	2				
32	WSH-0056	WASHER	2				
33	HOC-00010	OIL COOLER	1				
34	803460 01	COOLER WIRING LOOM	1				
35	803459 01	COOLER CONNECTION KIT	1				
36	WSH-0001	WASHER	4				
37	NUTA02030	NUT	4				
38	SCFC03110	PAN HD SCREW	4				
39	WSH-0065	WASHER (M12 SPRING)	8				
40	HSS-0238	SETSCRW (M12x30)	8				

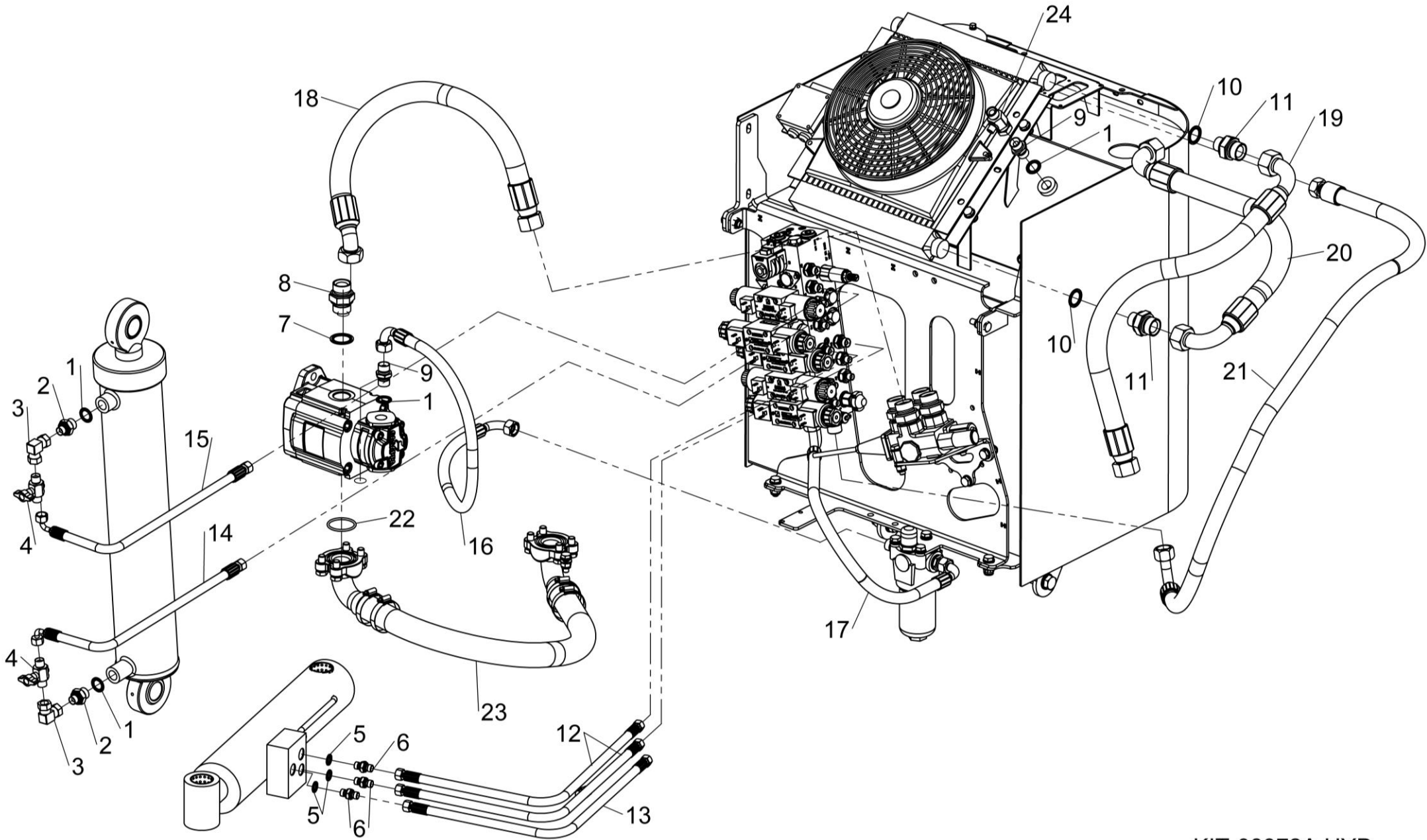


KIT-08372



Shelbourne Reynolds Engineering Limited

ASSY NUMBER: KIT-08372A HYD				ASSY DESCRIPTION: 2PS CABLE ROTOR HYDRAULICS KIT			
ITEM	PART NO	DESCRIPTION	QTY	ITEM	PART NO	DESCRIPTION	QTY
1	WSH-1015	DOWTY WASHER	4				
2	HMA-0065	M/M ADAPTOR	2				
3	HAKAA0505	90 DEG ADAPTOR	2				
4	HVB-02620	TAP	2				
5	WSH-1005	DOWTY WASHER	3				
6	HMA-0052	M/M ADAPTOR	3				
7	WSH-1025	DOWTY WASHER	1				
8	FIT-0546	M/M ADAPTOR	1				
9	HMA-0067	M/M ADAPTOR	2				
10	WSH-1020	DOWTY WASHER	2				
11	HMA-0075	M/M ADAPTOR	2				
12	HHDC10105	HYD HOSE ASSY	2				
13	HHDC12005	HYD HOSE ASSY	1				
14	HHBE12005	HYD HOSE ASSY	1				
15	HHEE09005	HYD HOSE ASSY	1				
16	HHEF07605	HYD HOSE ASSY	1				
17	HHEF05705	HYD HOSE ASSY	1				
18	HHDI06405	HYD HOSE ASSY	1				
19	HHBI06705	HYD HOSE ASSY	1				
20	HHEI05205	HYD HOSE ASSY	1				
21	HHBH15505	HYD HOSE ASSY	1				
22	ORA260450	O-RING	2				
23	HOS-1044	SUCTION HOSE	0.7m				
24	FITA10420	TEE FITTING	1				

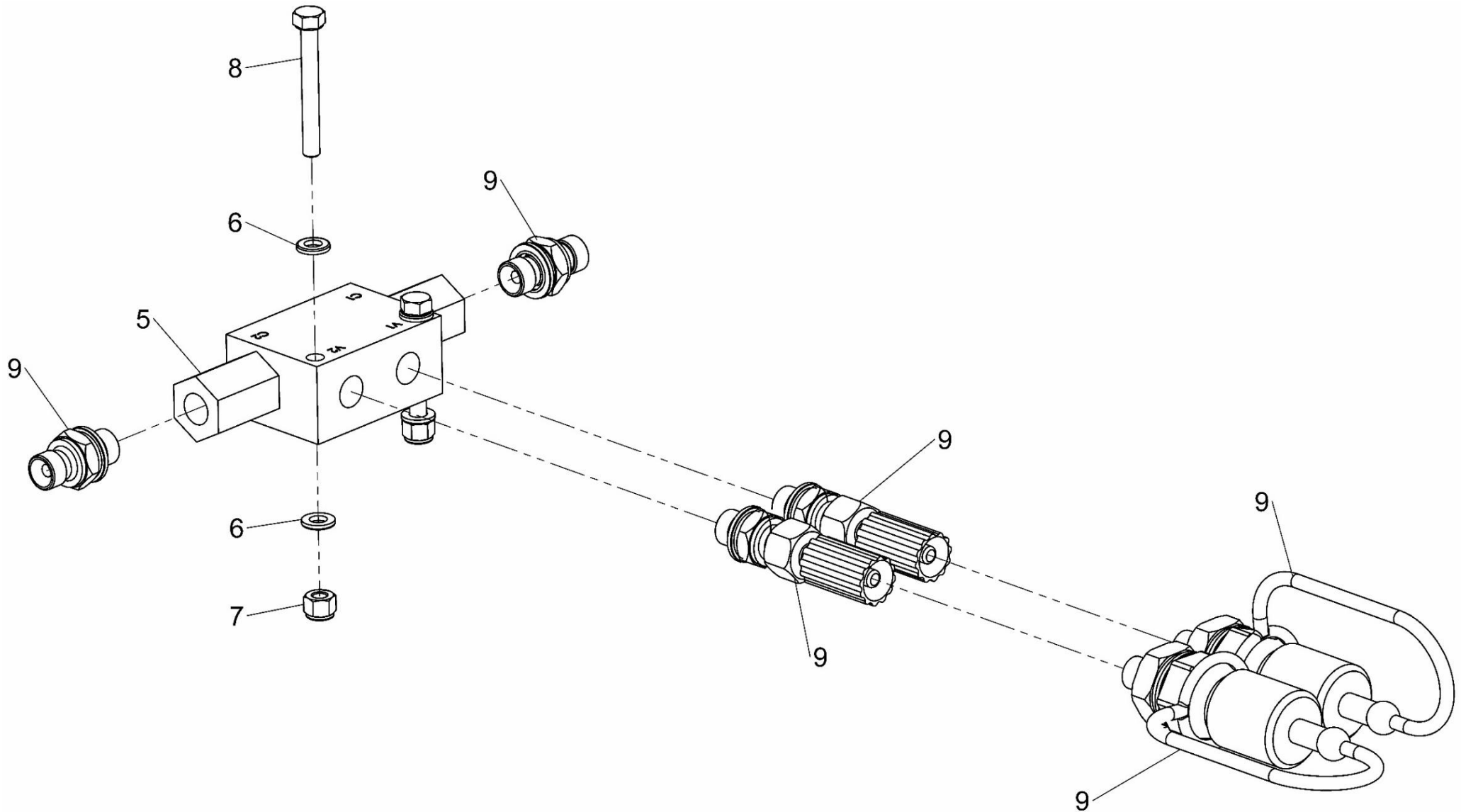


KIT-08372A HYD



Shelbourne Reynolds Engineering Limited

ASSY NUMBER: KIT-08387				ASSY DESCRIPTION: HYDRAULICS FOR HEAD OPTIONS KIT 6 / 7060T			
ITEM	PART NO	DESCRIPTION	QTY	ITEM	PART NO	DESCRIPTION	QTY
1							
2							
3							
4							
5	HVB-27000	VALVE BLOCK	1				
6	WSH-0009	WASHER	4				
7	NUT-0260	NUT	2				
8	BLTA06320	BOLT FOR 1 HD OPT	2			UPTO MID 2023	
OR	BLTA06470	BOLT FOR 2 HD OPT	2				
OR	BLTA06570	BOLT FOR 3 HD OPT	2				
9	KIT-08387A HYD	HYD FOR HEAD OPTIONS KIT	1				

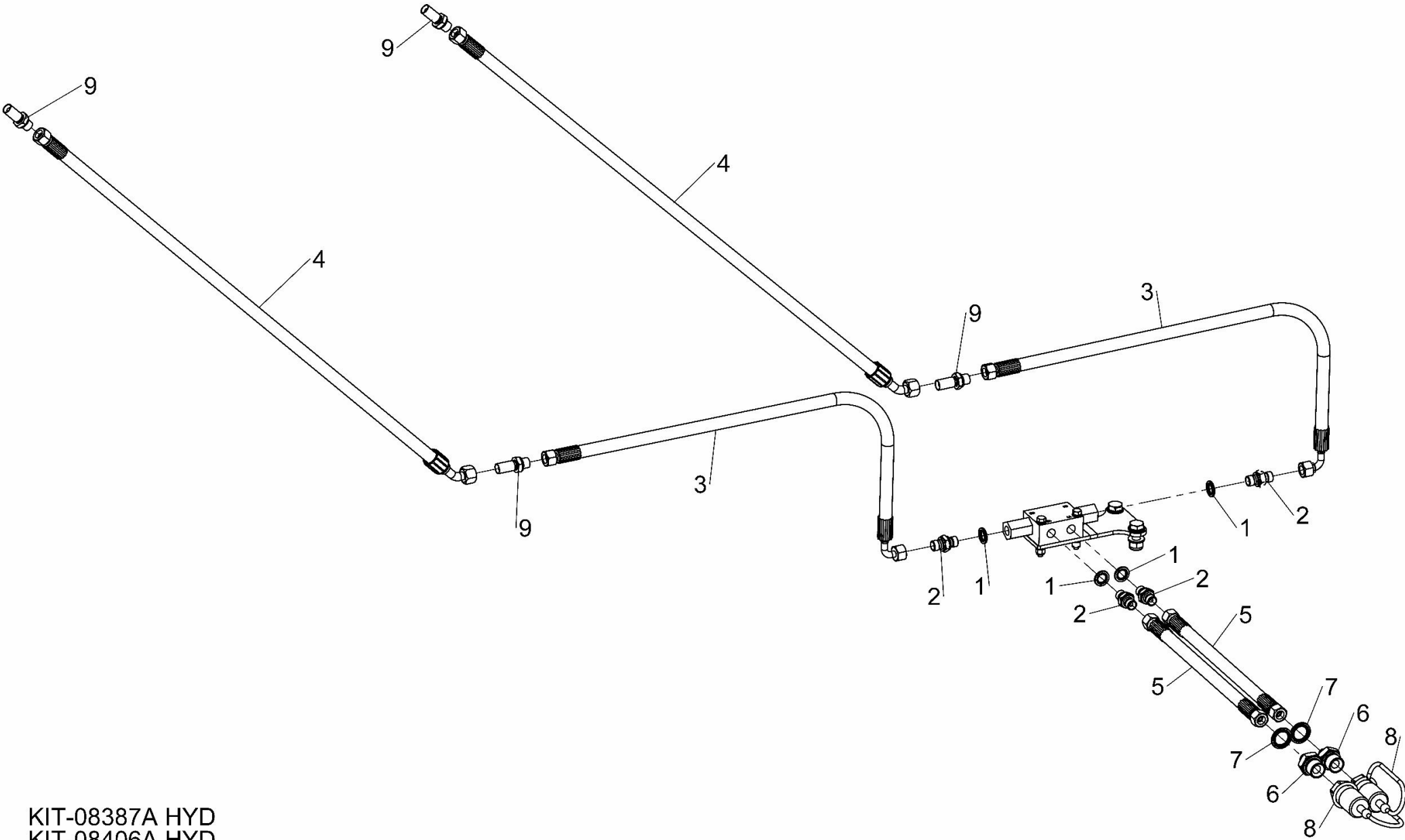


KIT-08387



Shelbourne Reynolds Engineering Limited

ASSY NUMBER: KIT-08387A HYD				ASSY DESCRIPTION: HYDRAULICS FOR HEAD OPTIONS KIT 6 / 7060T			
ITEM	PART NO	DESCRIPTION	QTY	ITEM	PART NO	DESCRIPTION	QTY
1	WSH-1005	DOWTY WASHER	4				
2	HMA-0052	M/M ADAPTOR	4				
3	HHCC31705	HYD HOSE ASSY	2				
4	HHDC31505	HYD HOSE ASSY	2				
5	HHAC16005	HYD HOSE ASSY	2				
6	HMA-0055	M/M ADAPTOR	2				
7	WSH-1015	DOWTY WASHER	2				
8	COU-0162	QUICK RELEASE COUPLING	2				
9	HBK-0010	HYD BULKHEAD ADAPTOR	4				

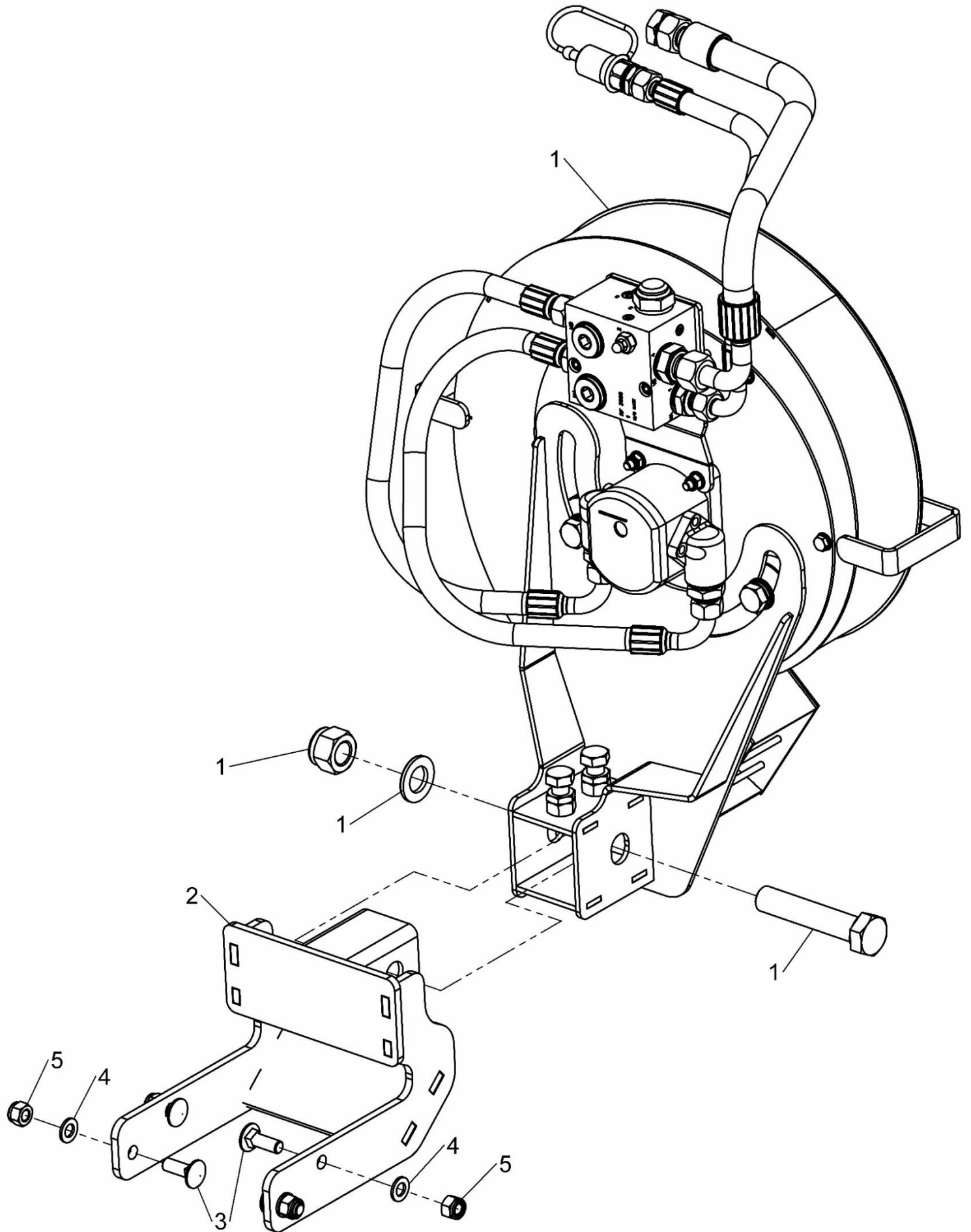


KIT-08387A HYD
KIT-08406A HYD
KIT-08445A HYD



Shelbourne Reynolds Engineering Limited

ASSY NUMBER: KIT-08401				ASSY DESCRIPTION: HD TRIMMER BLOWER KIT For 6000, 7000, HD800 & 8000			
ITEM	PART NO	DESCRIPTION	QTY	ITEM	PART NO	DESCRIPTION	QTY
1	KIT-08352	SUB ASSY TRIMMER BLOWER KIT	1				
2	804563 01	LIGHTING BOARD MTG W/A	1				
3	BLTF12233	COACHBOLT	4				
4	WSH-0018	WASHER	4				
5	NUT-0269	NYLOC NUT	4				

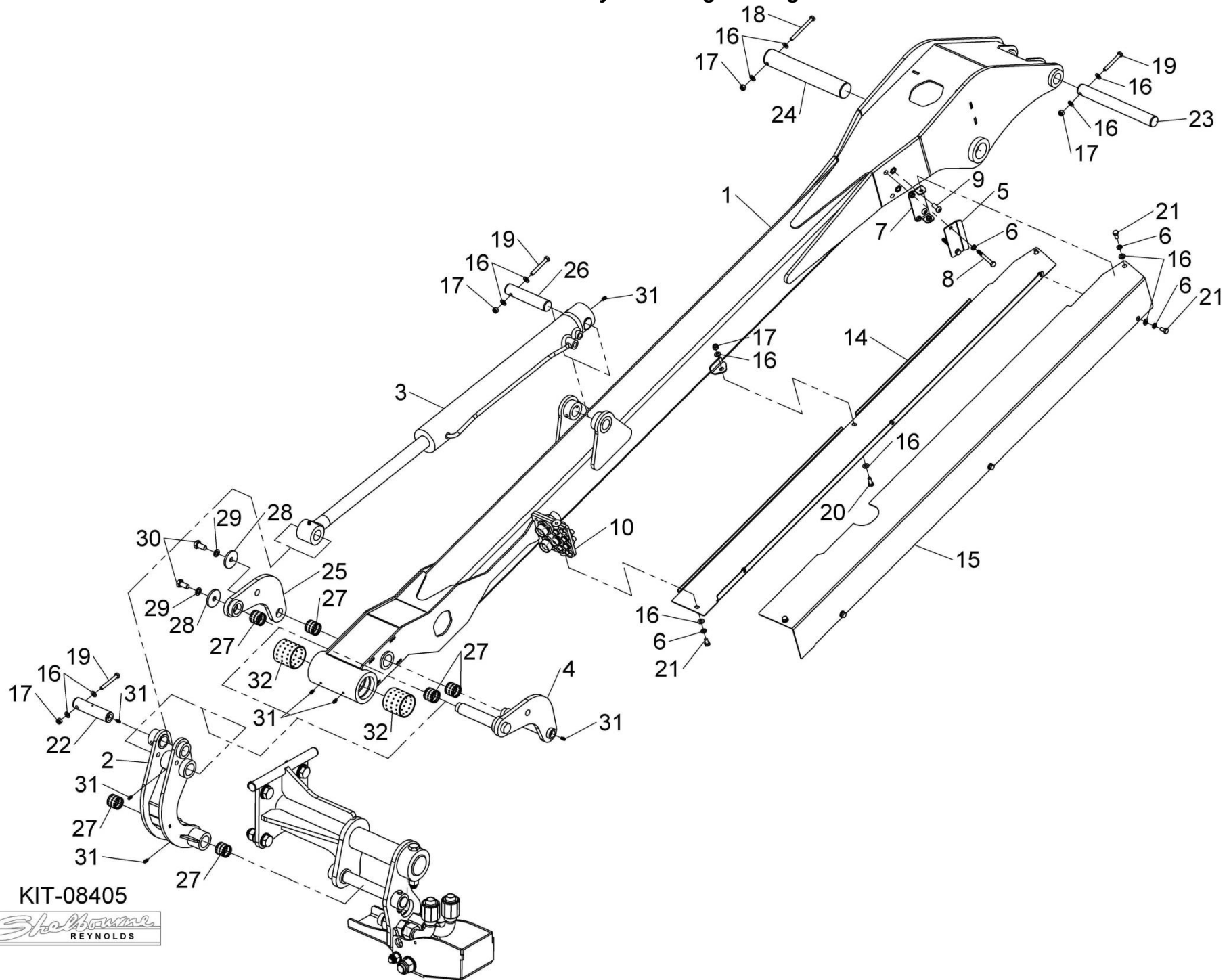


KIT-08401



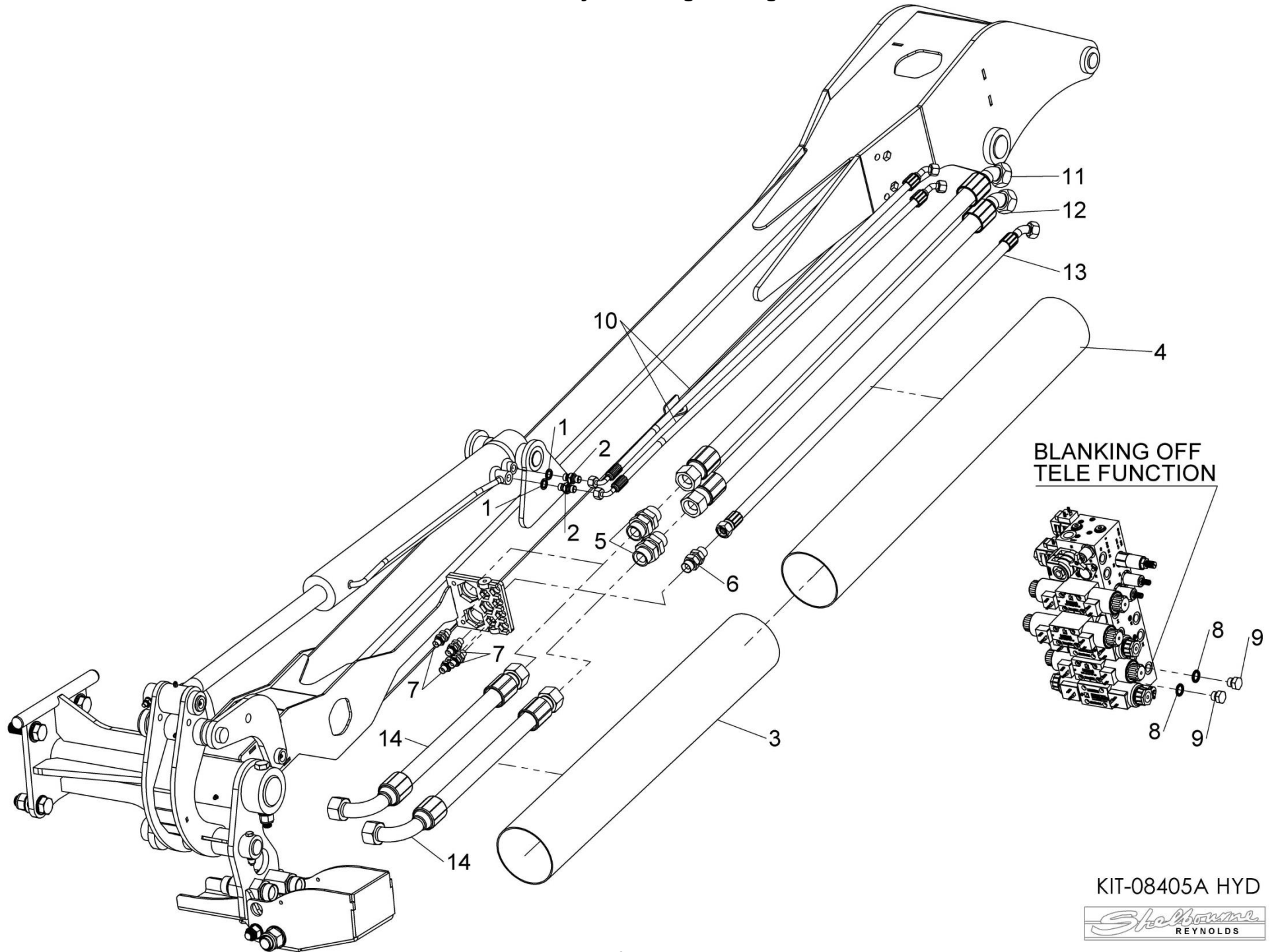
Shelbourne Reynolds Engineering Limited

ASSY NUMBER: KIT-08405				ASSY DESCRIPTION: 6056 & 7056 OUTER BOOM KIT			
ITEM	PART NO	DESCRIPTION	QTY	ITEM	PART NO	DESCRIPTION	QTY
1	806274 01	OUTER BOOM W/A	1				
2	806029 01	2 nd CURVE LINK W/A	1				
3	801236 01	HYDRAULIC RAM	1				
4	800097 01	1 ST CURVED LINK	1				
5	805647 01	HOSE CLAMP	1				
6	WSH-0058	SPRING WASHER	9				
7	805653 01	GUARD FIXING W/A	1				
8	BLTA08440	BOLT	2				
9	SCW-0514	BUTTON SCREW	2				
10	805654 01	BULKHEAD W/A	1				
11							
12							
13							
14	806276 01	GUARD W/A	1				
15	806275 01	GUARD	1				
16	WSH-0012	WASHER	17				
17	NUT-0263	NYLOC NUT	5				
18	BLTA08530	BOLT	1				
19	BLTA08410	BOLT	3				
20	HSS-0140	BOLT	1				
21	HSS-0135	BOLT	7				
22	800101 03	PIN	1				
23	800987 31	PIN TIE ARM	1				
24	801406 01	PIN BOOM	1				
25	800098 01	1 ST CURVED PLATE W/A	1				
26	800101 23	PIN	1				
27	BSHO03056	BUSH	6				
28	190119 15	WASHER	2				
29	WSH-0065	SPRING WASHER	2				
30	HSS-0235	SETSCREW	2				
31	NIP-00600	GREASE NIPPLE	7				
32	BSHO06071	BUSH	2				



Shelbourne Reynolds Engineering Limited

ASSY NUMBER: KIT-08405a HYD				ASSY DESCRIPTION: 6056 & 7056 OUTER BOOM HYD KIT			
ITEM	PART NO	DESCRIPTION	QTY	ITEM	PART NO	DESCRIPTION	QTY
1	WSH-1005	DOWTY WASHER	2				
2	HMA-0052	M/M ADAPTOR	2				
3	HHS-05010	HYDRAULIC HOSE SLEEVE	1m				
4	HHS-05010	HYDRAULIC HOSE SLEEVE	1.1m				
5	HAGAA1313	BULKHEAD ADAPTOR	2				
6	HAGAA0707	BULKHEAD ADAPTOR	1				
7	HBK-0010	BULKHEAD ADAPTOR	4				
8	WSH-1010	DOWTY WASHER	2				
9	FIT-0251	BLANKING PLUG	2				
10	HHMC20405	HYD HOSE ASSY	2				
11	HHDI21005	HYD HOSE ASSY	1				
12	HHDI20605	HYD HOSE ASSY	1				
13	HHDF21805	HYD HOSE ASSY	1				
14	HHBI09105	HYD HOSE ASSY	2				

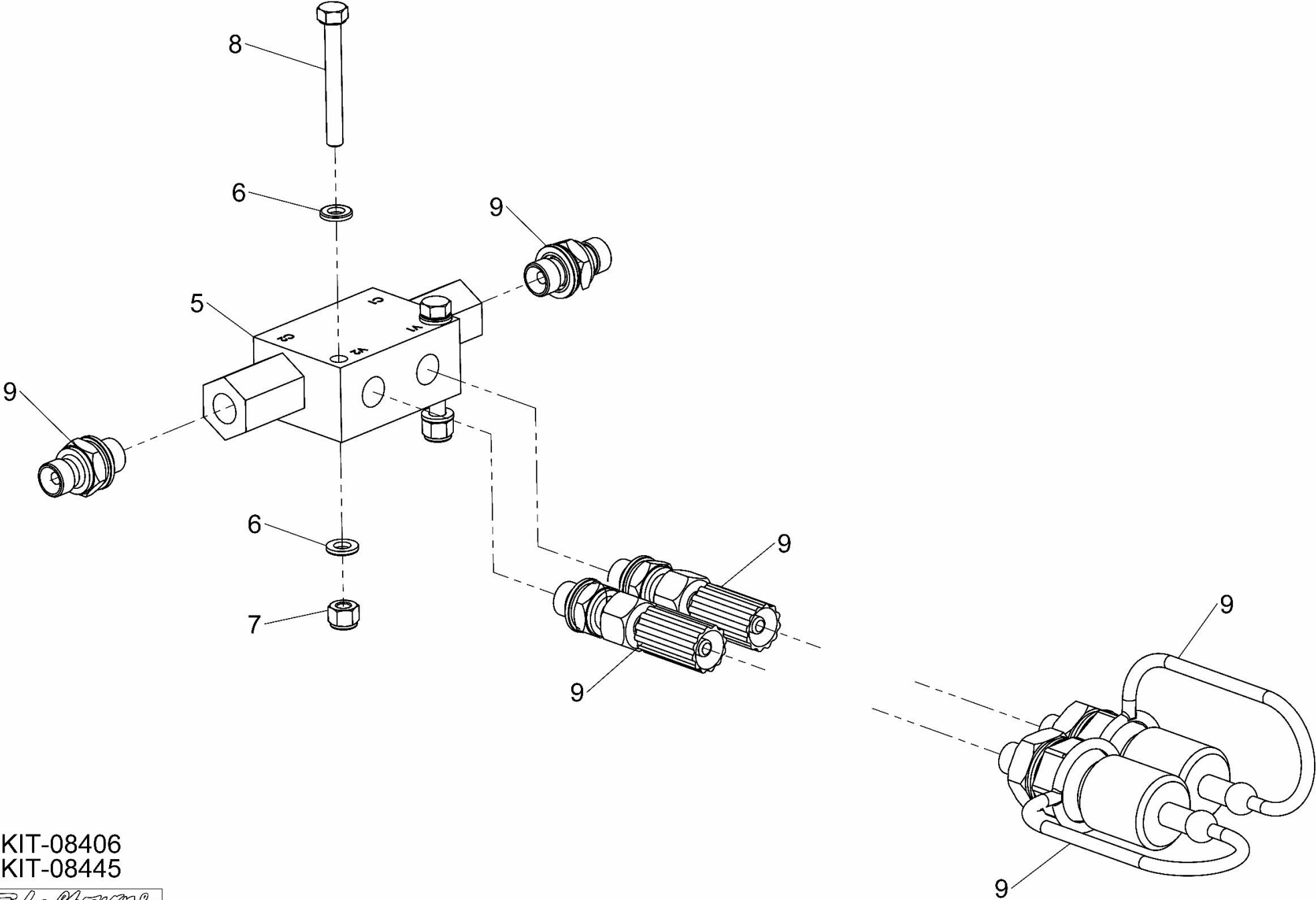


KIT-08405A HYD



Shelbourne Reynolds Engineering Limited

ASSY NUMBER: KIT-08406				ASSY DESCRIPTION: HYDRAULICS FOR HEAD OPTIONS KIT (6056)			
ITEM	PART NO	DESCRIPTION	QTY	ITEM	PART NO	DESCRIPTION	QTY
1							
2							
3							
4							
5	HVB-27000	VALVE BLOCK	1				
6	WSH-0009	WASHER	4				
7	NUT-0260	NUT	2				
8	BLTA06320	BOLT FOR 1 HD OPT	2			UPTO MID2023	
OR	BLTA06470	BOLT FOR 2 HD OPT	2				
OR	BLTA06570	BOLT FOR 3 HD OPT	2				
9	KIT-08406A HYD	HYD FOR HEAD OPTIONS KIT 6056	1				

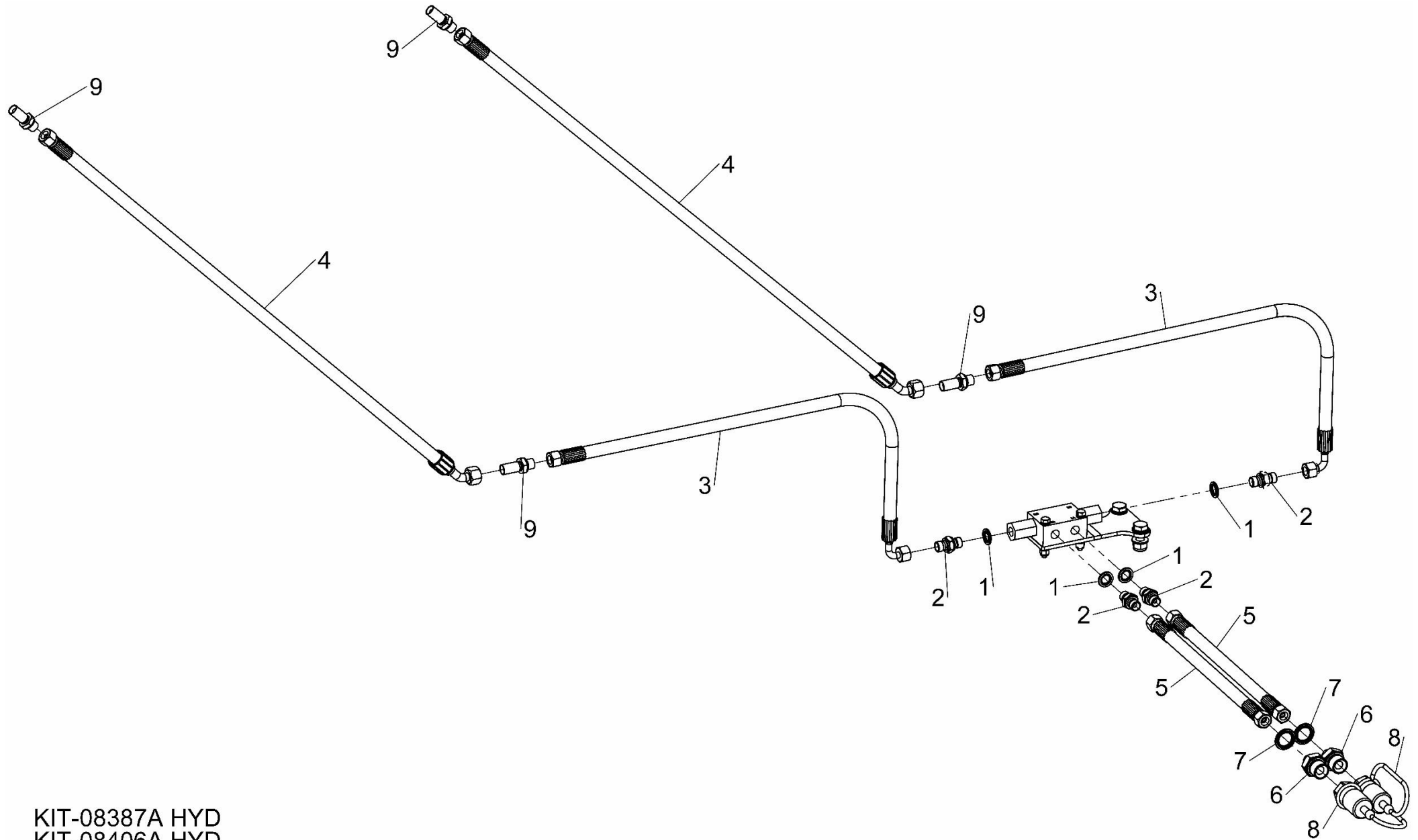


KIT-08406
KIT-08445



Shelbourne Reynolds Engineering Limited

ASSY NUMBER: KIT-08406A HYD				ASSY DESCRIPTION: HYDRAULICS FOR HEAD OPTIONS KIT 6056			
ITEM	PART NO	DESCRIPTION	QTY	ITEM	PART NO	DESCRIPTION	QTY
1	WSH-1005	DOWTY WASHER	4				
2	HMA-0052	M/M ADAPTOR	4				
3	HHCC33305	HYD HOSE ASSY	2				
4	HHDC22005	HYD HOSE ASSY	2				
5	HHAC16005	HYD HOSE ASSY	2				
6	HMA-0055	M/M ADAPTOR	2				
7	WSH-1015	DOWTY WASHER	2				
8	COU-0162	QUICK RELEASE COUPLING	2				
9	HBK-0010	HYD BULKHEAD ADAPTOR	4				

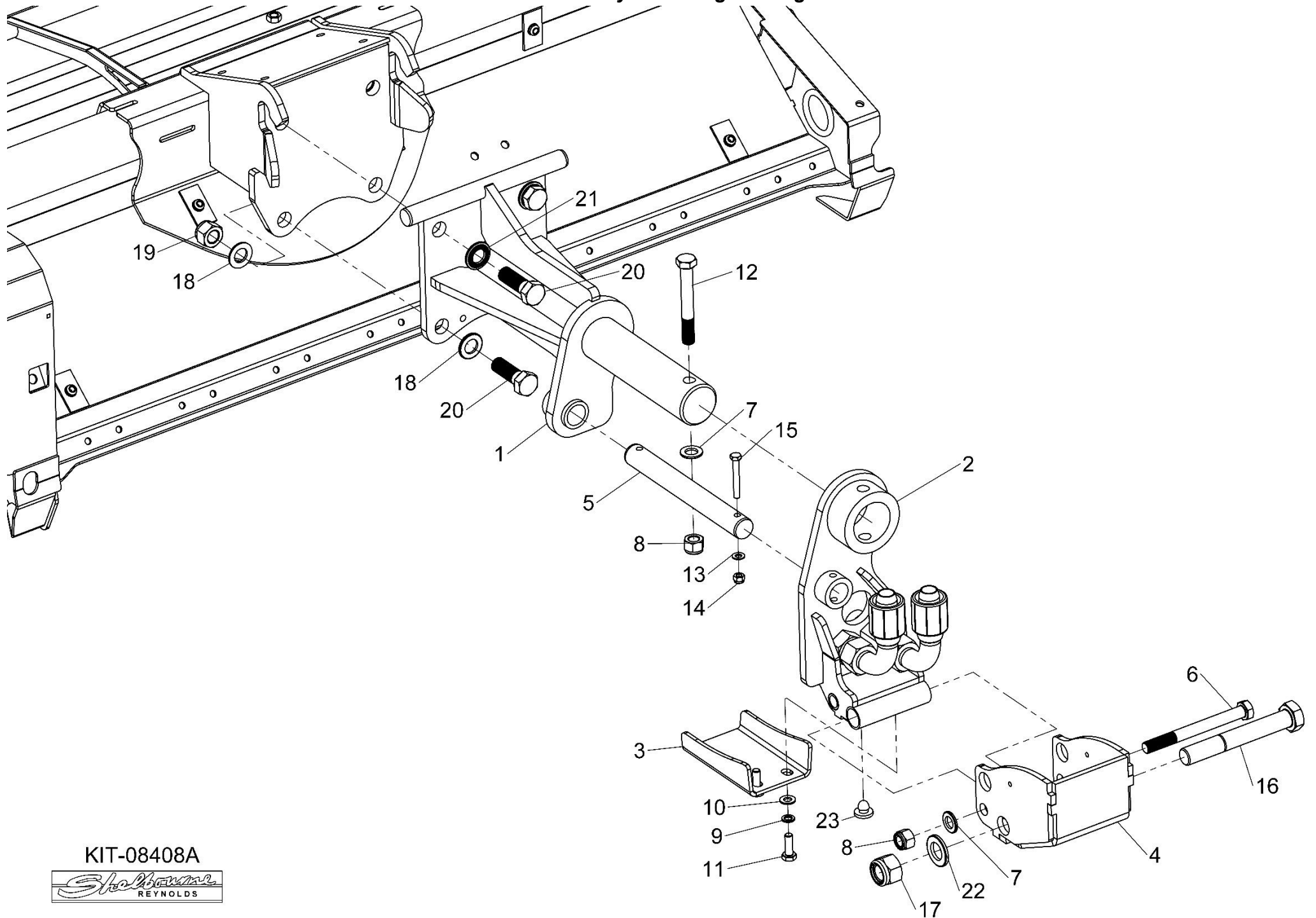


KIT-08387A HYD
KIT-08406A HYD
KIT-08445A HYD



Shelbourne Reynolds Engineering Limited

ASSY NUMBER: KIT-08408A				ASSY DESCRIPTION: GP HEAD MOUNT KIT 6000 & 7000 SERIES			
ITEM	PART NO	DESCRIPTION	QTY	ITEM	PART NO	DESCRIPTION	QTY
1	806376 01	HEAD MOUNT W/A	1				
2	805561 01	PIVOT MOUNT W/A	1				
3	803629 01	GUARD PLATE	1				
4	803628 01	PIVOT SHOE FOOT W/A	1				
5	805566 01	PIN	1				
6	BLTA16740	BOLT	1				
7	WSH-0024	WASHER	2				
8	NUT-0271	NYLOC NUT	2				
9	WSH-0061	SPRING WASHER	2				
10	WSH-0015	WASHER	2				
11	HSS-0194	BOLT	2				
12	BLT-2330	BOLT	1				
13	WSH-0012	WASHER	2				
14	NUT-0263	NYLOC NUT	2				
15	HSSA08380	BOLT	2				
16	BLTA24760	BOLT	1				
17	NUT-0275	NYLOC NUT	1				
18	WSH-0030	WASHER	4				
19	NUTA02200	NYLOC NUT	2				
20	BLT-2366	BOLT	4				
21	WSHA30201	LOCKWASHER	2				
22	WSH-0036	WASHER	1				
23	RUB-0330	RUBBER FOOT	2				

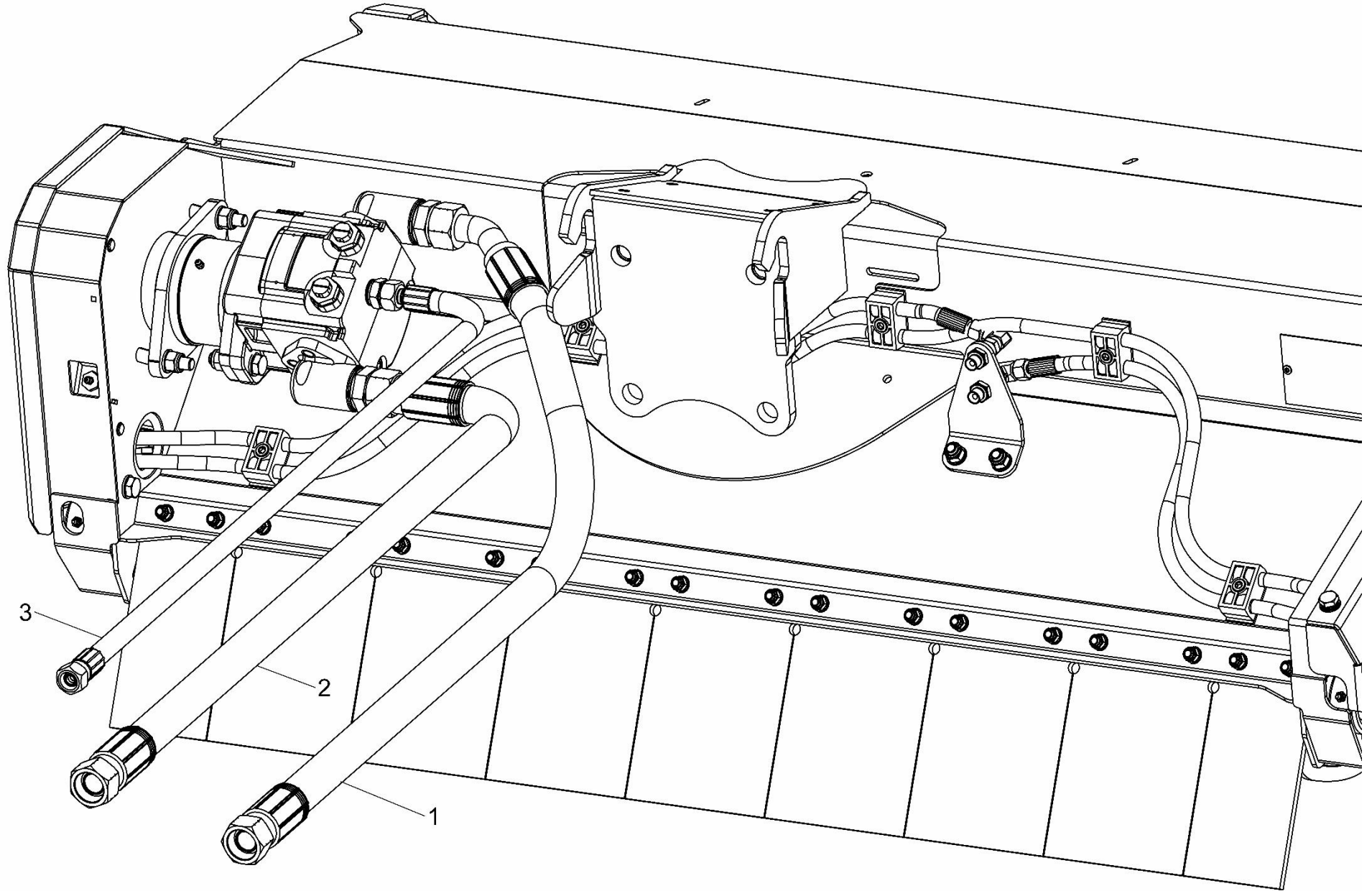


KIT-08408A



Shelbourne Reynolds Engineering Limited

ASSY NUMBER: KIT-08430B HYD				ASSY DESCRIPTION: GP1200 MOTOR HYD (STD HEAD MOUNT FOR 6060T, 6056, 7060T & 7056)			
ITEM	PART NO	DESCRIPTION	QTY	ITEM	PART NO	DESCRIPTION	QTY
1	HHDI05605	HYD HOSE ASSY	1				
2	HHAI04705	HYD HOSE ASSY	1				
3	HHAF17605	HYD HOSE ASSY	1				

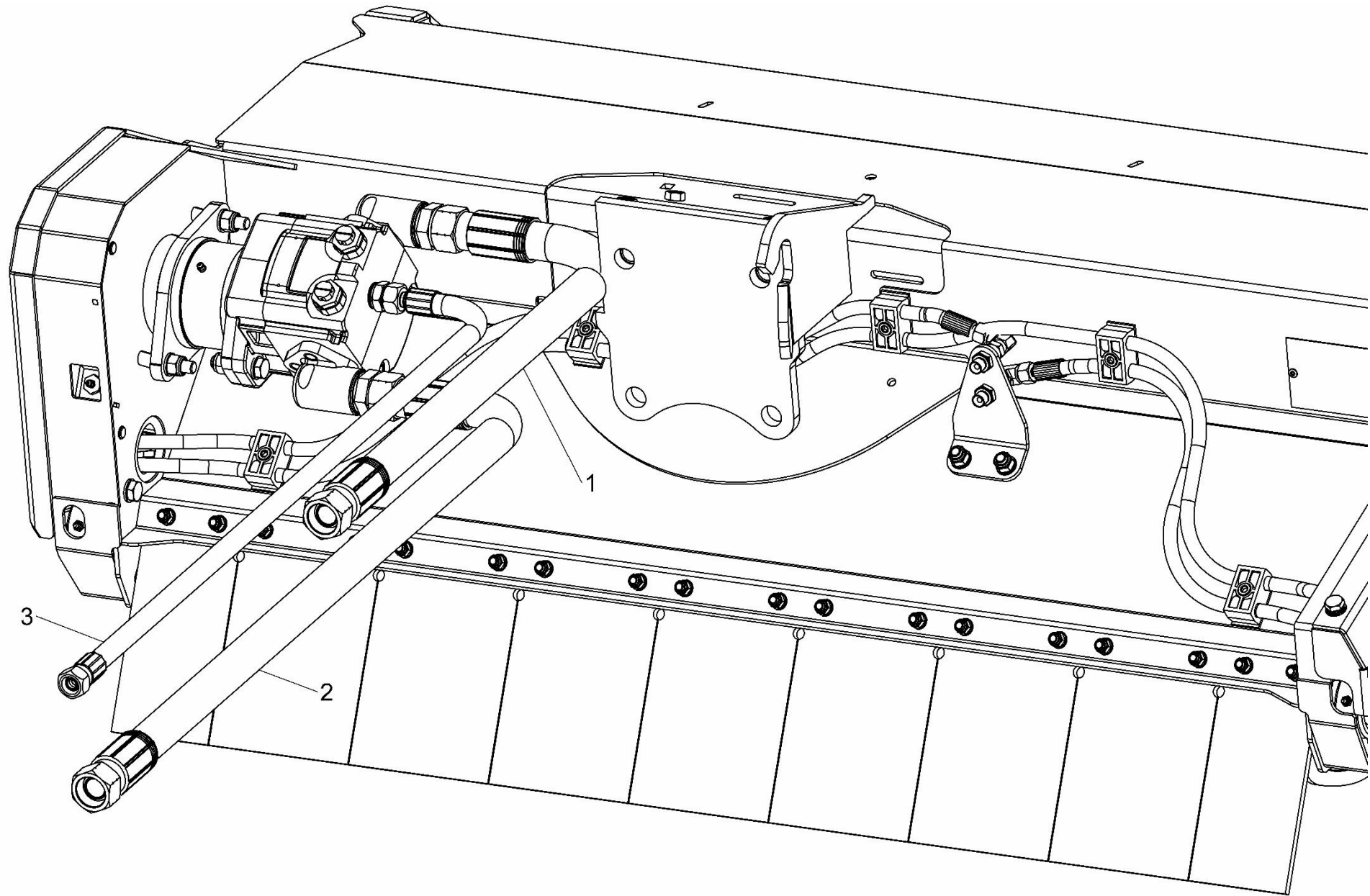


KIT-08430A HYD
KIT-08430B HYD



Shelbourne Reynolds Engineering Limited

ASSY NUMBER: KIT-08430D HYD				ASSY DESCRIPTION: GP1500 MOTOR HYD (STD HEAD MOUNT FOR 6056, 6060T, 7060T & 7056)			
ITEM	PART NO	DESCRIPTION	QTY	ITEM	PART NO	DESCRIPTION	QTY
1	HHAI07805	HYD HOSE ASSY	1				
2	HHAI06105	HYD HOSE ASSY	1				
3	HHAF19105	HYD HOSE ASSY	1				

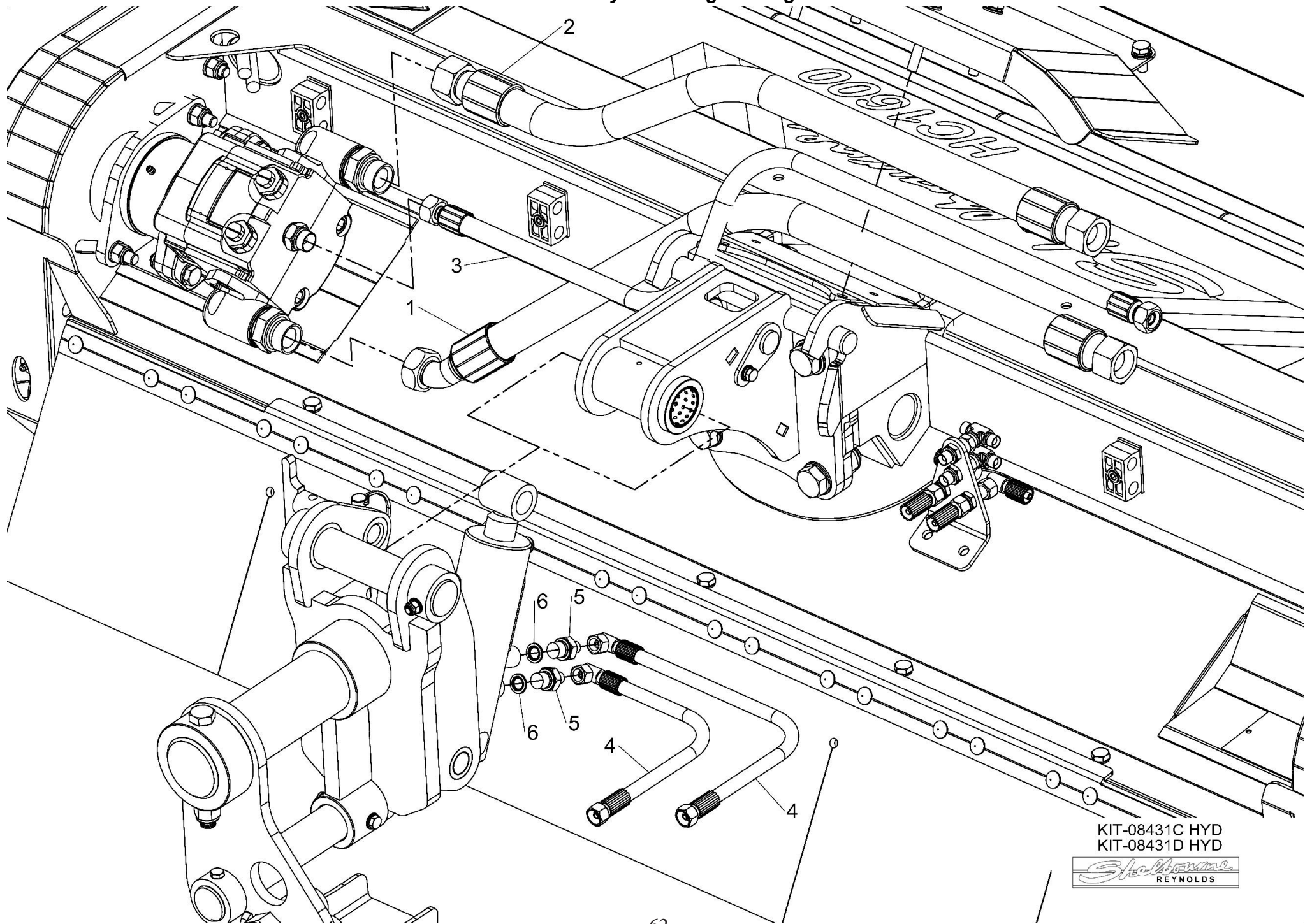


KIT-08430C HYD
KIT-08430D HYD



Shelbourne Reynolds Engineering Limited

ASSY NUMBER: KIT-08431D HYD				ASSY DESCRIPTION: GP1500 MOTOR HYD(NLB 6056, 6060T, 7060T & 7056)			
ITEM	PART NO	DESCRIPTION	QTY	ITEM	PART NO	DESCRIPTION	QTY
1	HHDI17505	HOSE ASSY	1				
2	HHAI18305	HOSE ASSY	1				
3	HHAF30505	HOSE ASSY	1				
4	HHCC17505	HYD HOSE ASSY	2				
5	HAPAA0303	RESTRICTOR FITT	2				
6	WSH-1005	DOWTY WASHER	2				

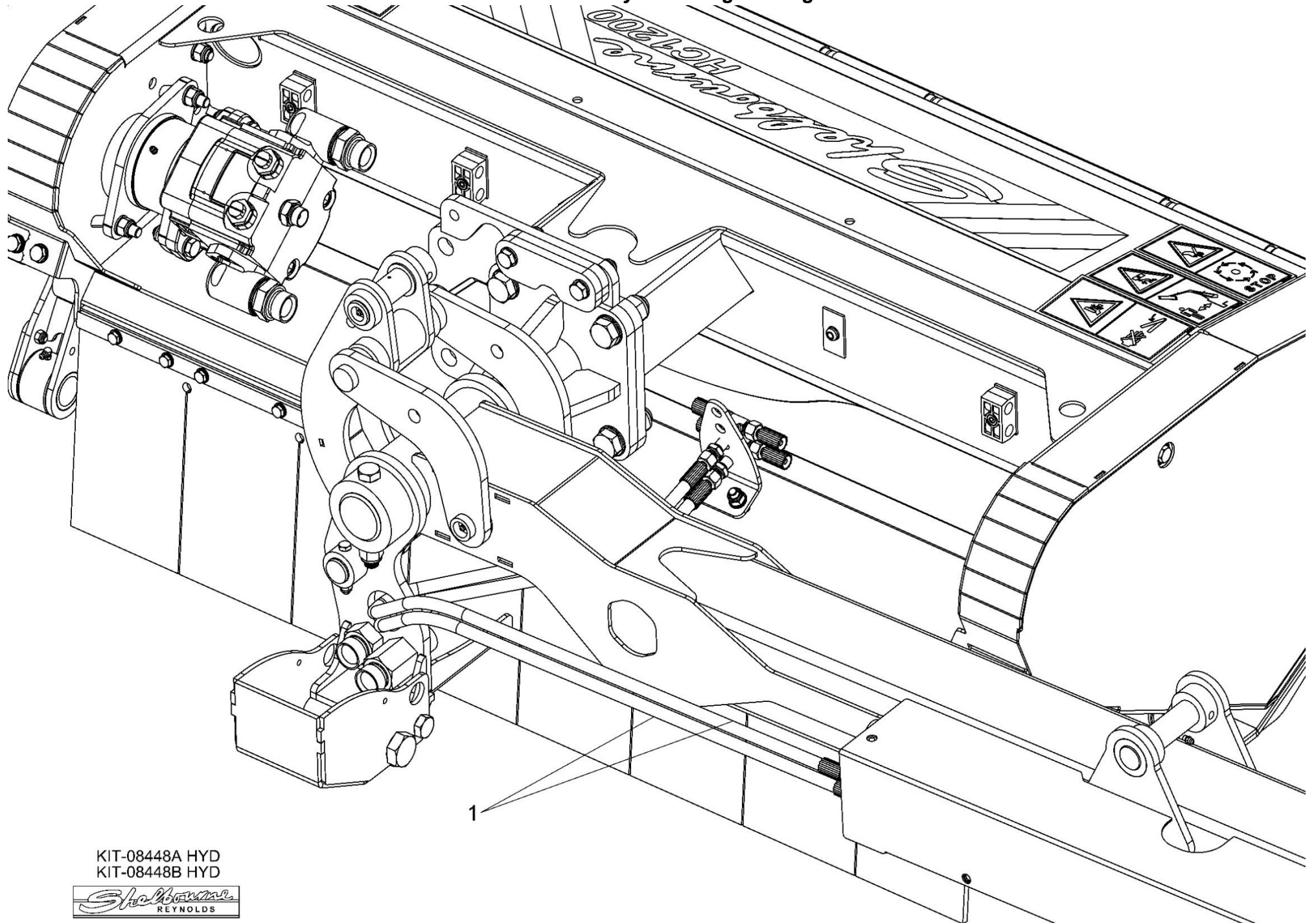


KIT-08431C HYD
KIT-08431D HYD



Shelbourne Reynolds Engineering Limited

ASSY NUMBER: KIT-08448B HYD				ASSY DESCRIPTION: HEAD LINK HOSE KIT (STD HEAD MOUNT FOR 6056, 6060T, 7060T & 7056)			
ITEM	PART NO	DESCRIPTION	QTY	ITEM	PART NO	DESCRIPTION	QTY
1	HHAC16005	HYD HOSE ASSY	2				

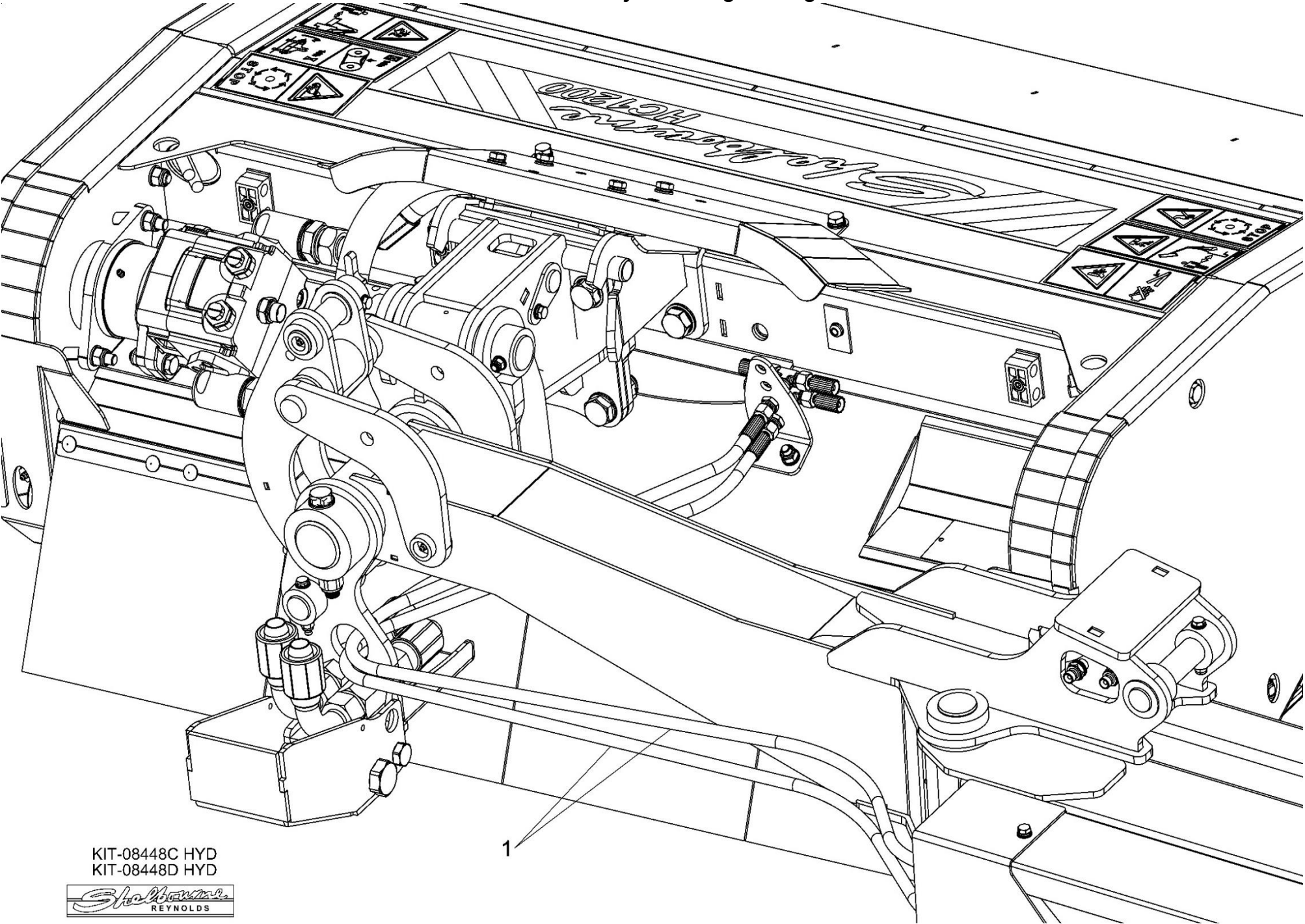


KIT-08448A HYD
KIT-08448B HYD



Shelbourne Reynolds Engineering Limited

ASSY NUMBER: KIT-08448C HYD				ASSY DESCRIPTION: HEAD LINK HOSE KIT (NARROW LANE HEAD MOUNT FOR 6056, 6060T, 7060T & 7056)			
ITEM	PART NO	DESCRIPTION	QTY	ITEM	PART NO	DESCRIPTION	QTY
1	HHCC21005	HYD HOSE ASSY	2				

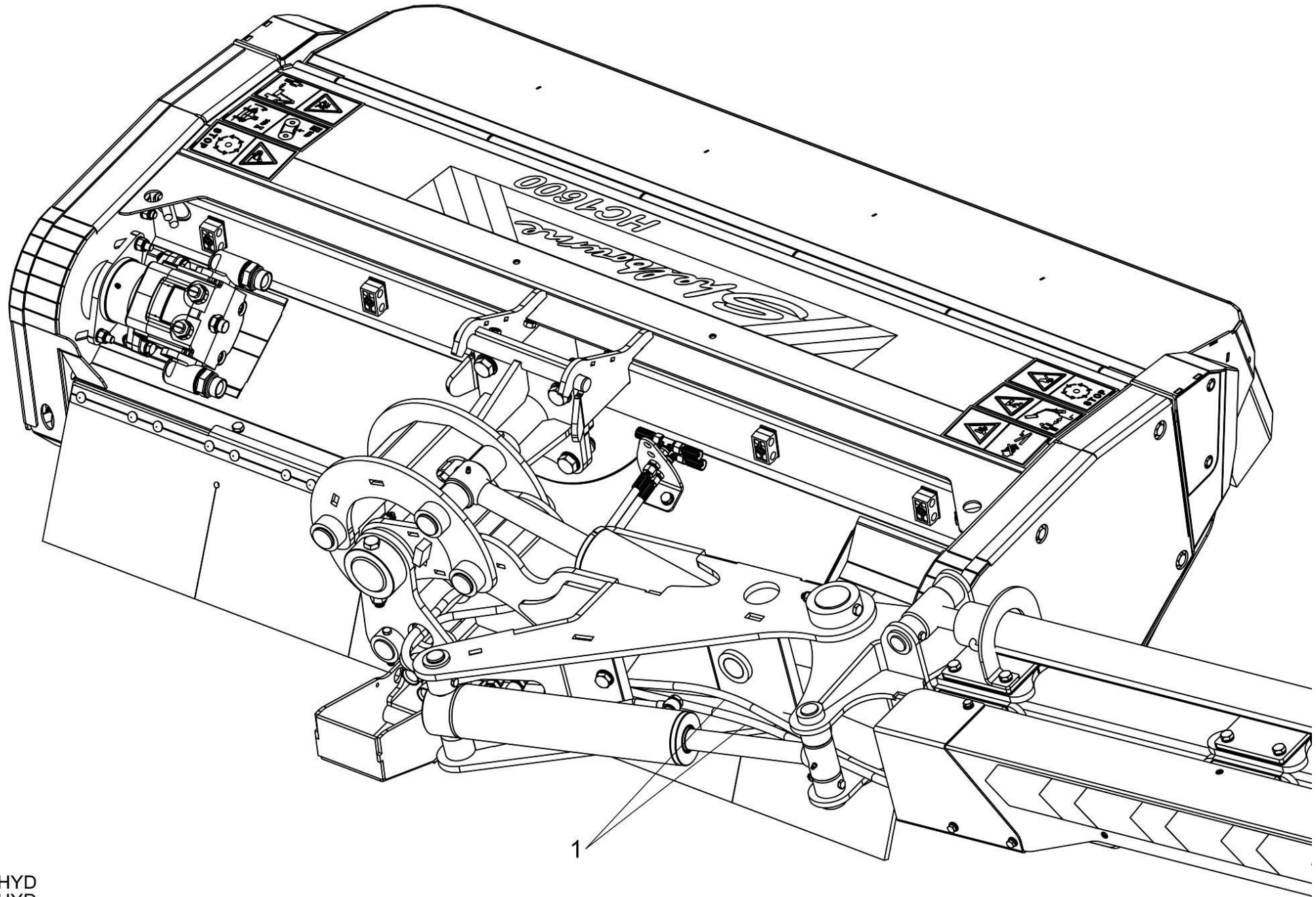


KIT-08448C HYD
KIT-08448D HYD



Shelbourne Reynolds Engineering Limited

ASSY NUMBER: KIT-08448E HYD				ASSY DESCRIPTION: HEAD LINK HOSE KIT (HC & GP HEAD FOR 6 / 7 / 8000 TELE)			
ITEM	PART NO	DESCRIPTION	QTY	ITEM	PART NO	DESCRIPTION	QTY
1	HHAC17505	HYD HOSE ASSY	2				

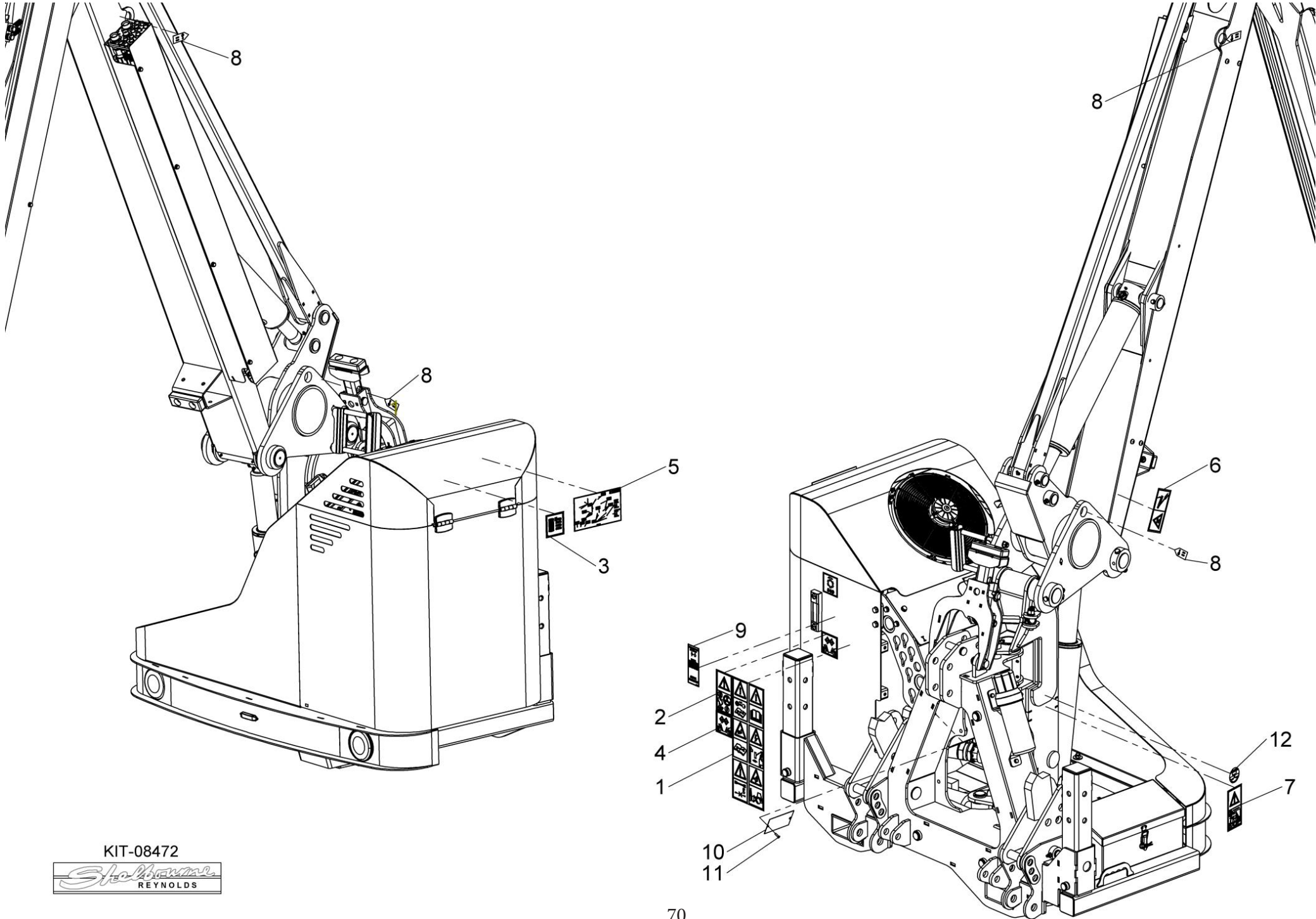


KIT-08448E HYD
KIT-08448F HYD



Shelbourne Reynolds Engineering Limited

ASSY NUMBER: KIT-08472				ASSY DESCRIPTION: SAFETY DECAL ONLY TRANSFER KIT			
ITEM	PART NO	DESCRIPTION	QTY	ITEM	PART NO	DESCRIPTION	QTY
1	805599 01	MULTI-TRANSFER	1				
2	801422 01	TRANSFER (ACCUMULATOR)	1				
3	800211 01	TRANSFER (CHANGE FILTER)	1				
4	800212 01	TRANSFER (CHECK CHAINS)	1				
5	804761 01	TRANSFER (LUBRICATION)	1				
6	210435 01	TRANSFER (LOCK CYLINDER)	1				
7	800878 01	TRANSFER (TRANSPORT MODE)	1				
8	190702 04	TRANSFER (SLING POINT)	4				
9	806835 01	CHECK OIL TRANSFER	1				
10	290526 01	SERIAL NO. PLATE	1				
11	POP-0006	POP RIVET (4.8x16)	2				
12	TNF-0013	INSPECTION STICKER	1				

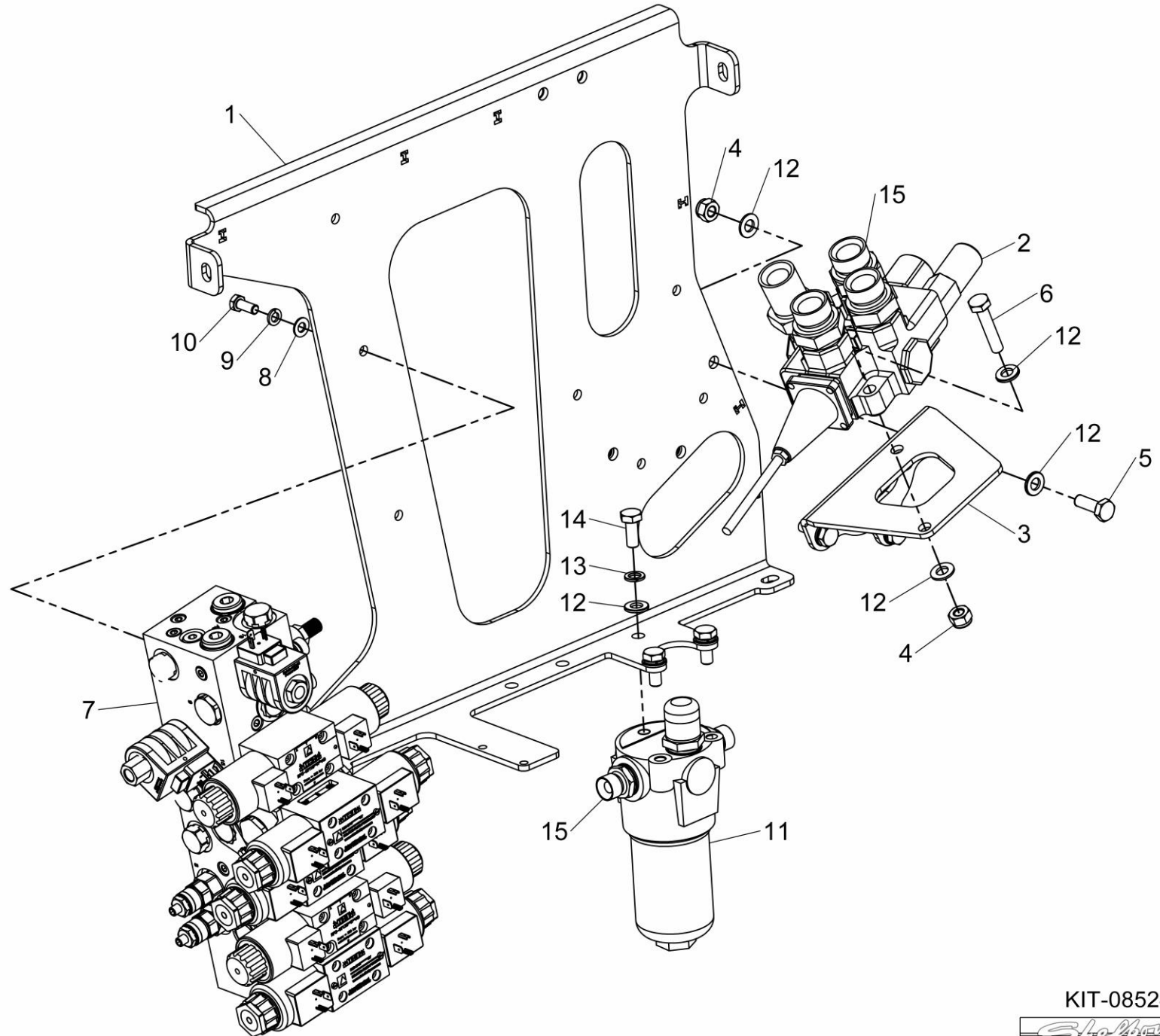


KIT-08472



Shelbourne Reynolds Engineering Limited

ASSY NUMBER: KIT-08524				ASSY DESCRIPTION: 2PS CABLE ROTOR VALVES & MTG KIT(NO FLOAT)			
ITEM	PART NO	DESCRIPTION	QTY	ITEM	PART NO	DESCRIPTION	QTY
1	806284 01	VALVE MTG PLATE	1				
2	HVB-09925	FLAIL CONTROL VALVE	1				
3	805795 01	FLAIL MOTOR VALVE MTG PLATE	1				
4	NUT-0265	NUT	5				
5	HSS-0194	SETSCREW	3				
6	HSS-0210	SETSCREW	2				
7	HVB-19200	PROPORTIONAL VALVE BLOCK FLOAT	1				
8	WSH-0012	WASHER	3				
9	WSH-0058	WASHER	3				
10	HSS-0140	SETSCREW	3				
11	FIL-0220A	IN-LINE PRESSURE FILTER	1				
12	WSH-0015	WASHER	13				
13	WSH-0061	WASHER	3				
14	HSS-0191	SETSCREW	3				
15	KIT-08524B HYD	2PS CABLE ROTOR VALVES HYD KIT	1				

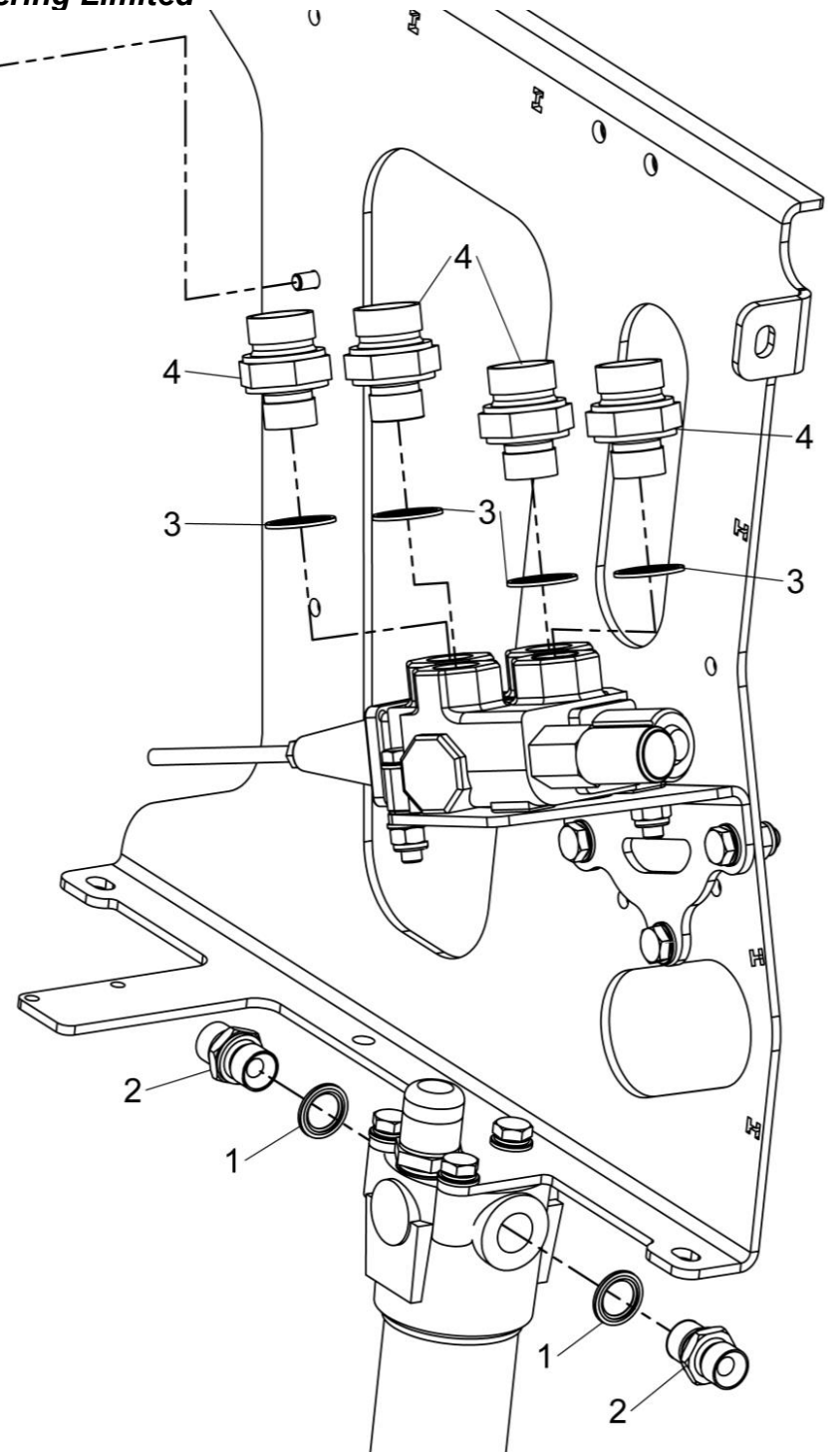
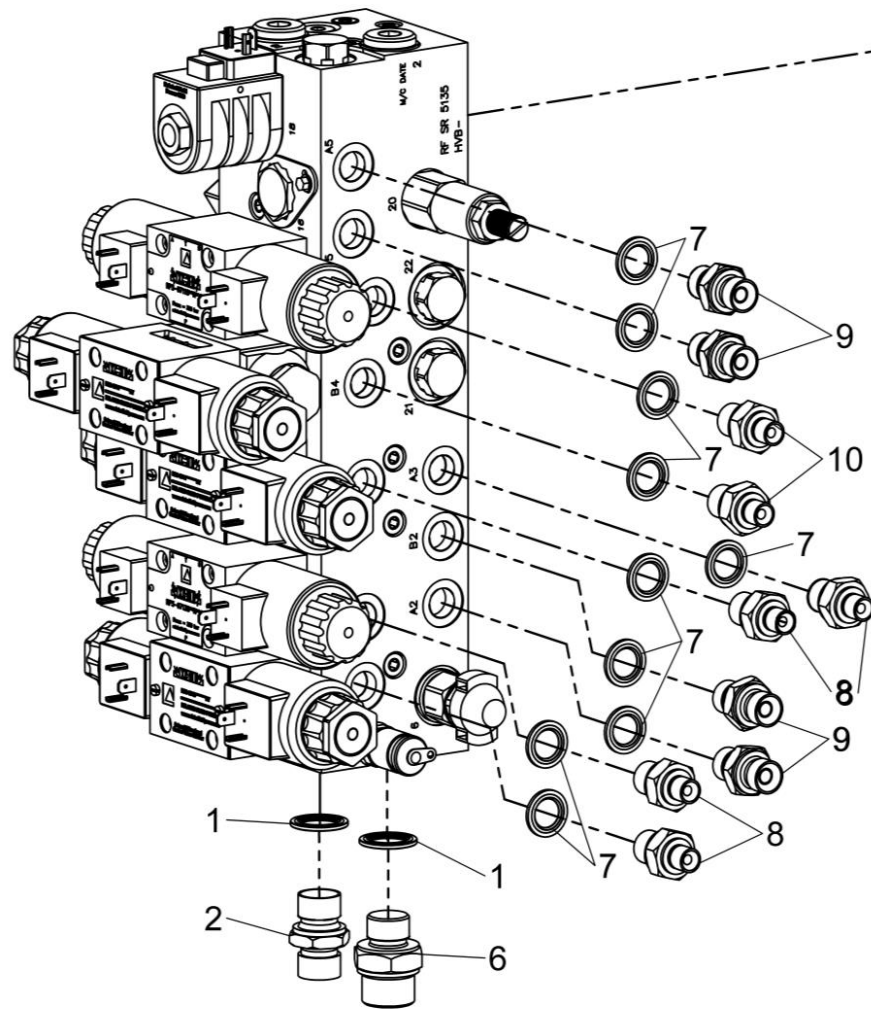


KIT-08524



Shelbourne Reynolds Engineering Limited

ASSY NUMBER: KIT-08524B HYD				ASSY DESCRIPTION: 2PS CABLE ROTOR VALVES HYD KIT(NO FLOAT)			
ITEM	PART NO	DESCRIPTION	QTY	ITEM	PART NO	DESCRIPTION	QTY
1	WSH-1015	DOWTY WASHER	4				
2	HMA-0067	M/M ADAPTOR	3				
3	WSH-1020	DOWTY WASHER	4				
4	HMA-0075	M/M ADAPTOR	4				
5							
6	HMA-0060	M/M ADAPTOR	1				
7	WSH-1010	DOWTY WASHER	10				
8	FIT-0025	M/M ADAPTOR	4				
9	HMA-0057	M/M ADPATOR	4				
10	190859 01	M/M ADPATOR	2				

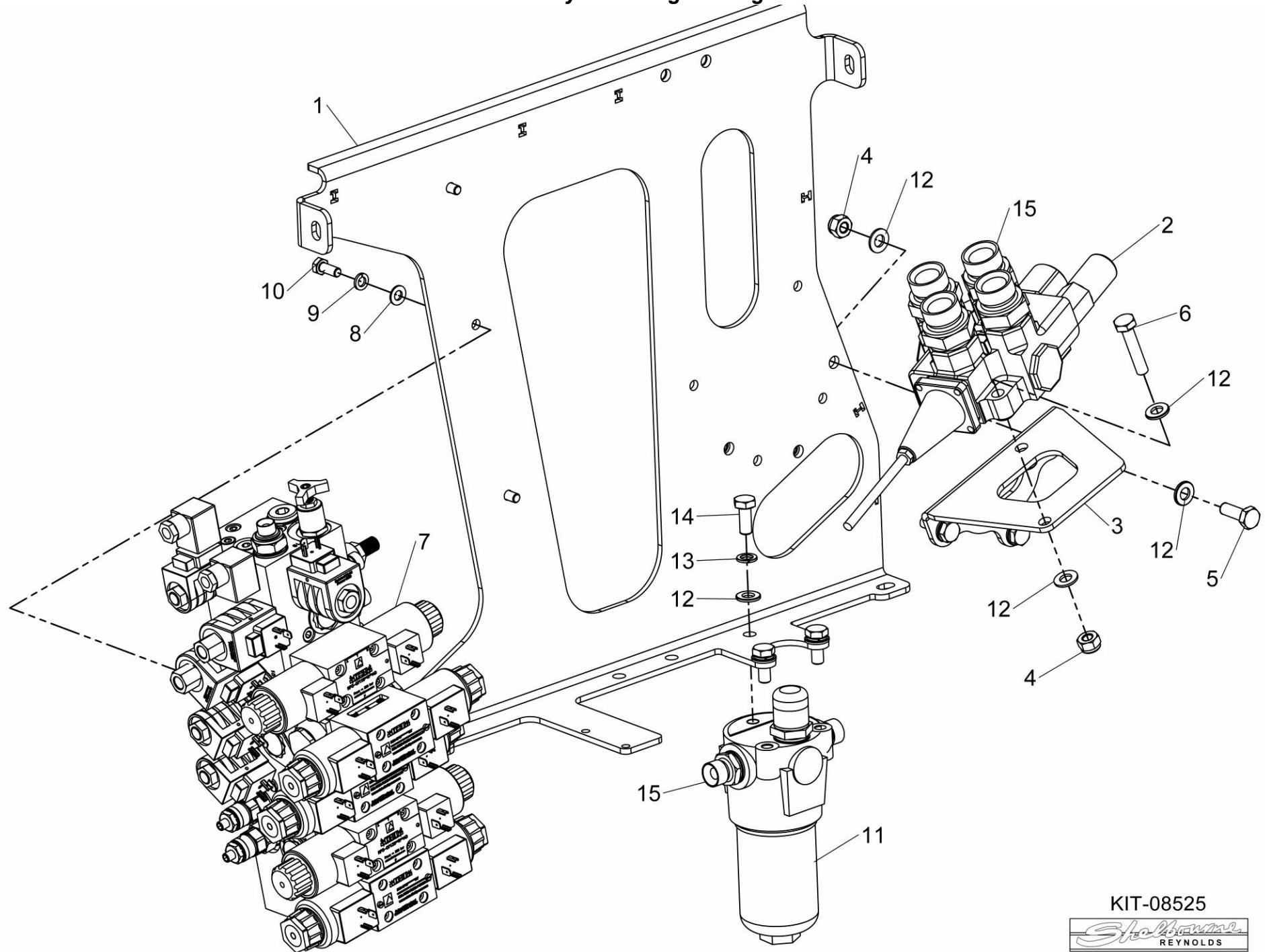


KIT-08524B HYD



Shelbourne Reynolds Engineering Limited

ASSY NUMBER: KIT-08525				ASSY DESCRIPTION: 2PS CABLE ROTOR VALVES & MTG KIT (FLOAT)			
ITEM	PART NO	DESCRIPTION	QTY	ITEM	PART NO	DESCRIPTION	QTY
1	806284 01	VALVE MTG PLATE	1				
2	HVB-09925	FLAIL CONTROL VALVE	1				
3	805795 01	FLAIL MOTOR VALVE MTG PLATE	1				
4	NUT-0265	NUT	5				
5	HSS-0194	SETSCREW	3				
6	HSS-0210	SETSCREW	2				
7	HVB-19195	PROPORTIONAL VALVE BLOCK FLOAT	1				
8	WSH-0012	WASHER	3				
9	WSH-0058	WASHER	3				
10	HSS-0140	SETSCREW	3				
11	FIL-0220A	IN-LINE PRESSURE FILTER	1				
12	WSH-0015	WASHER	13				
13	WSH-0061	WASHER	3				
14	HSS-0191	SETSCREW	3				
15	KIT-08525B HYD	2PS CABLE ROTOR VALVES HYD KIT	1				

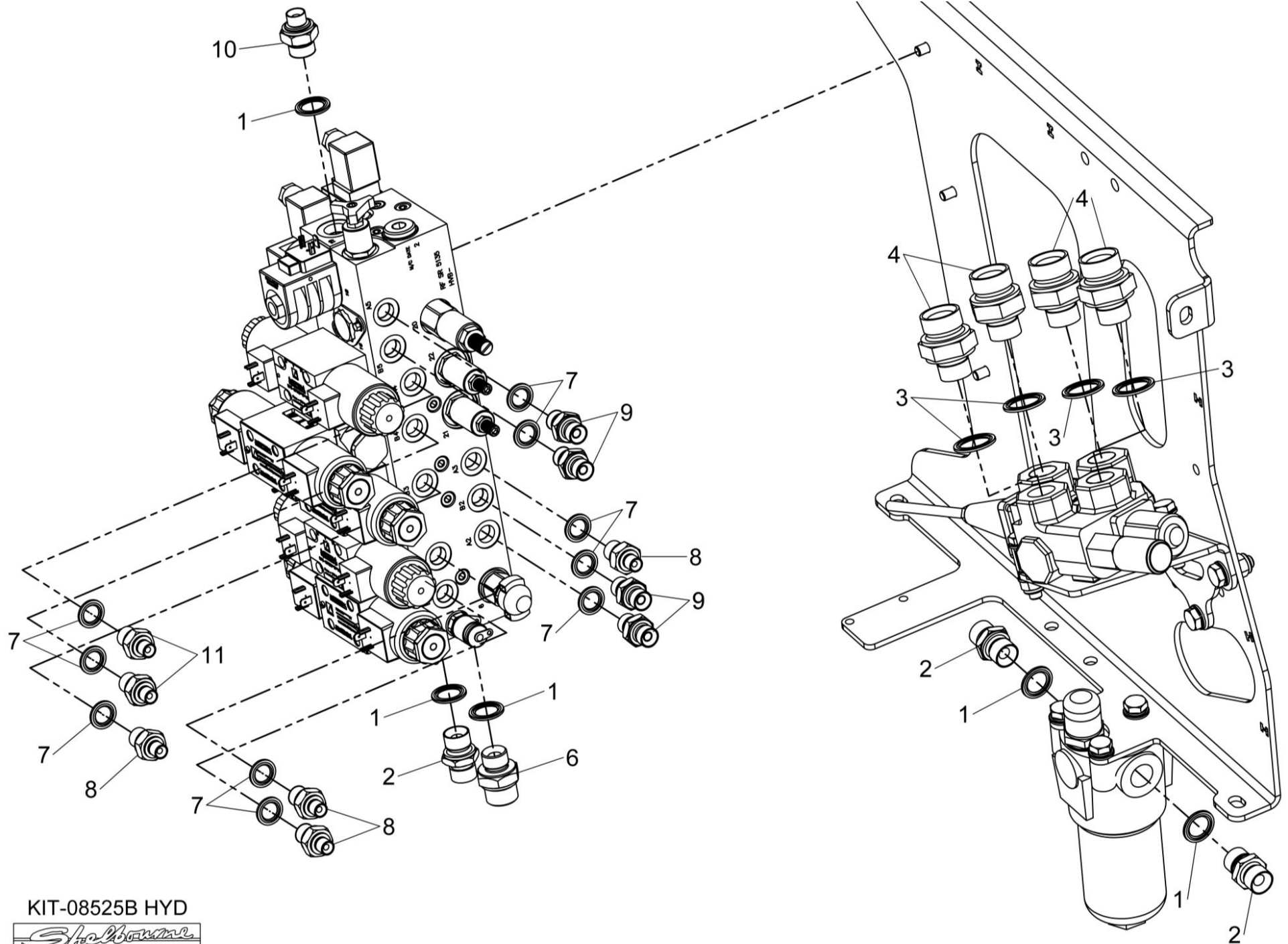


KIT-08525



Shelbourne Reynolds Engineering Limited

ASSY NUMBER: KIT-08525B HYD				ASSY DESCRIPTION: 2PS CABLE ROTOR VALVES HYD KIT (FLOAT)			
ITEM	PART NO	DESCRIPTION	QTY	ITEM	PART NO	DESCRIPTION	QTY
1	WSH-1015	DOWTY WASHER	5				
2	HMA-0067	M/M ADAPTOR	3				
3	WSH-1020	DOWTY WASHER	4				
4	HMA-0075	M/M ADAPTOR	4				
5							
6	HMA-0060	M/M ADAPTOR	1				
7	WSH-1010	DOWTY WASHER	10				
8	FIT-0025	M/M ADAPTOR	4				
9	HMA-0057	M/M ADPATOR	4				
10	HMA-0065	M/M ADAPTOR	1				
11	190859 01	M/M ADPATOR	2				

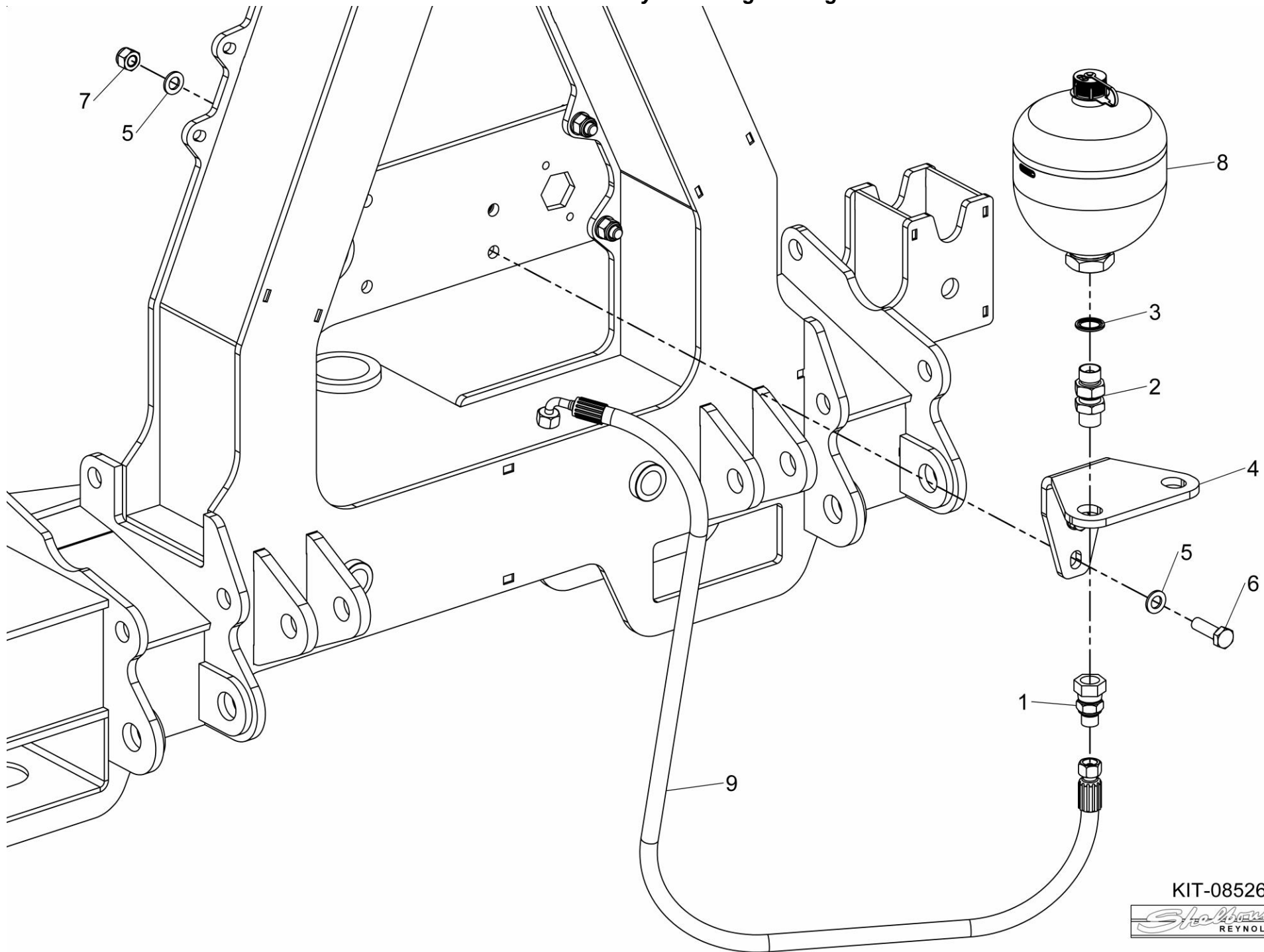


KIT-08525B HYD



Shelbourne Reynolds Engineering Limited

ASSY NUMBER: KIT-08526				ASSY DESCRIPTION: LIFT & HEAD FLOAT KIT			
ITEM	PART NO	DESCRIPTION	QTY	ITEM	PART NO	DESCRIPTION	QTY
1	FIT-0240	HYD FITTING	1				
2	HAGAA0707	BULKHEAD ADAPTOR	1				
3	WSH-1015	DOWTY WASHER	1				
4	805698 01	MOUNTING BRKT	1				
5	WSH-0018	WASHER	4				
6	HSS-0250	SETSCREW	2				
7	NUT-0269	NUT	2				
8	HYA-01440	ACCUMULATOR	1				
9	HHCE11005	HYD HOSE ASSY	1				

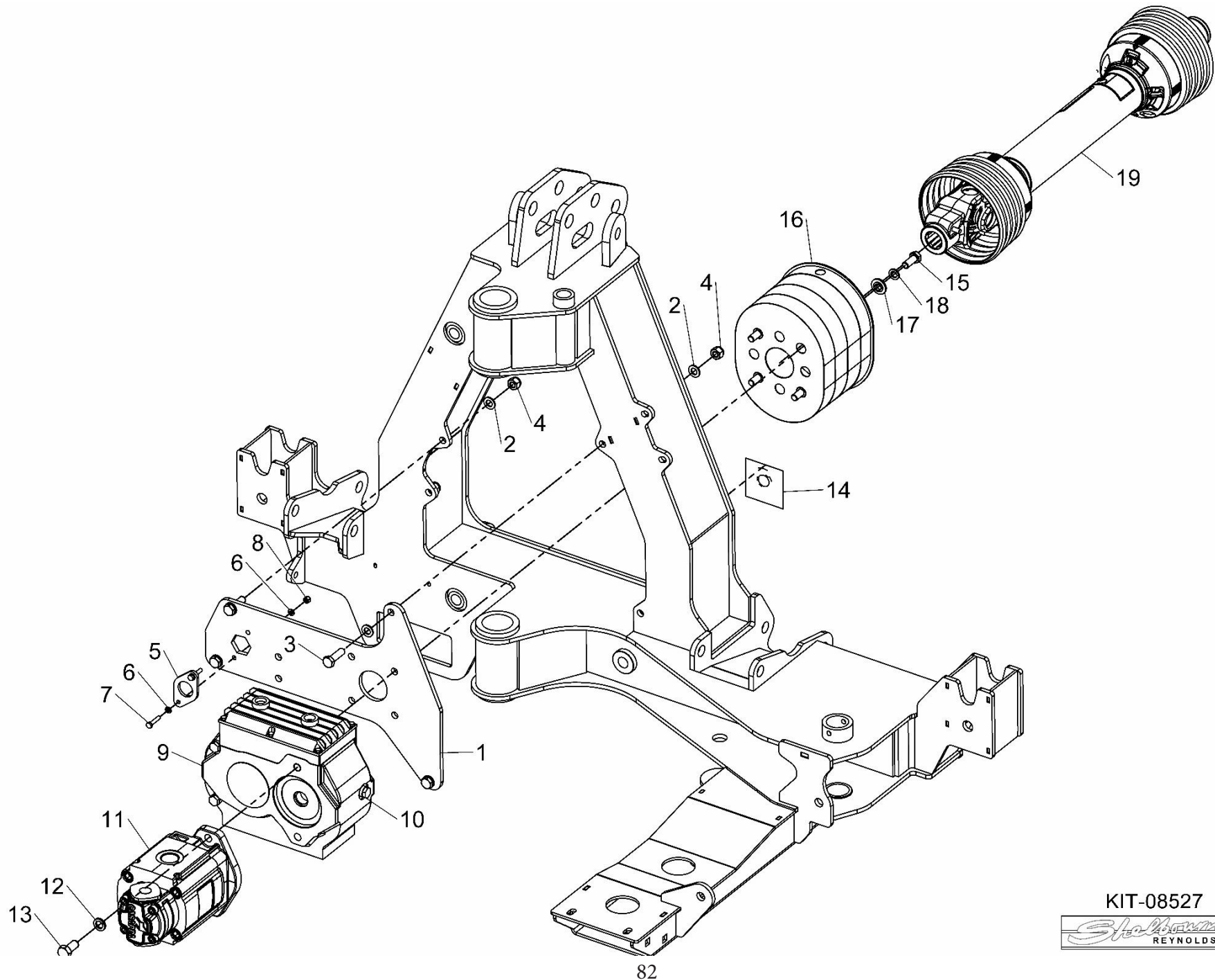


KIT-08526



Shelbourne Reynolds Engineering Limited

ASSY NUMBER: KIT-08527				ASSY DESCRIPTION: STANDARD DRIVE KIT (6000 SERIES)			
ITEM	PART NUMBER	DESCRIPPTION	QTY	ITEM	PART NUMBER	DESCRIPTION	QTY
1	806388 01	GEARBOX MTG PLATE	1				
2	WSH-0018	WASHER	8				
3	HSS-0250	SETSCREW	4				
4	NUT-0269	NUT	4				
5	805699 01	RETAINING RING	1				
6	WSH-0009	WASHER	4				
7	HSS-0092	SETSCREW	2				
8	NUT-0260	NUT	2				
9	GEA-0183	GEARBOX	1				
10	OIL-0005	GEARBOX OIL	1.75L				
11	PUM090661	TANDEM PUMP	1				
12	WSHA15141	WASHER	2				
13	HSSA14200	SETSCREW	2				
14	590475 01	TRANSFER 540RPM	1				
15	HSS-0238	SETSCREW	4				
16	PTO-00903	PTO GUARD	1				
17	800407 01	SPACER GEARBOX MOUNT	4				
18	WSH-0065	WASHER	4				
19	PTO-27000W	PTO SHAFT ASSY	1				

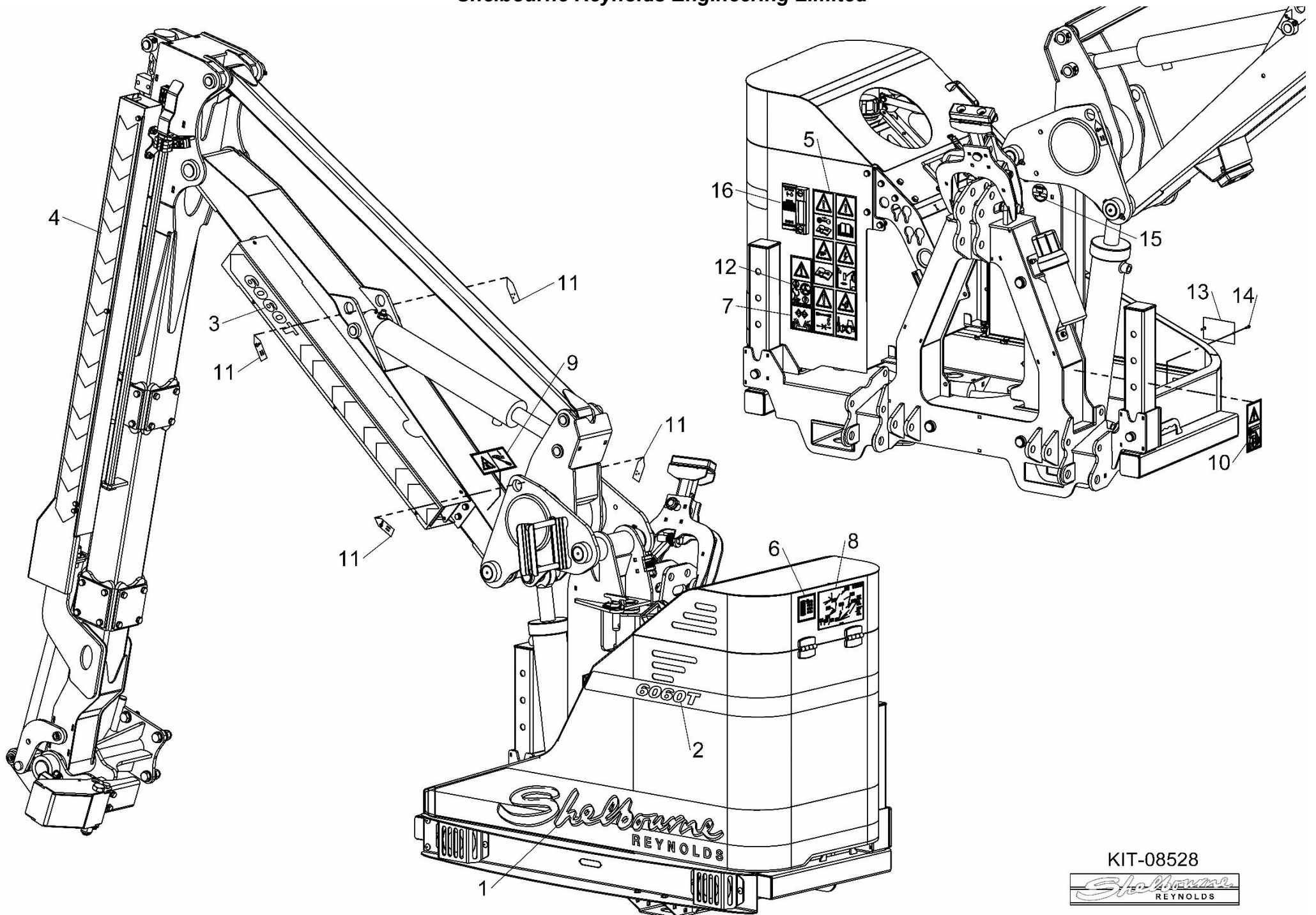


KIT-08527



Shelbourne Reynolds Engineering Limited

ASSY NUMBER: KIT-08528				ASSY DESCRIPTION: TRANSFERS KIT (6060T)			
ITEM	PART NO	DESCRIPTION	QTY	ITEM	PART NO	DESCRIPTION	QTY
1	807419 01	MAIN SHELBOURNE TRANSFER	1				
2	807421 01	6060T TANK TRANSFER	1				
3	807423 01	6060T INNER BOOM TRANSFER	1				
4	806614 01	OUTER BOOM TRANSFER	1				
5	805599 01	ADVISORY TRANSFER	1				
6	800211 01	TRANSFER - FILTER	1				
7	800212 01	TRANSFER - CHECK CHAIN	1				
8	804761 01	TRANSFER - LUBRICATION	1				
9	210435 01	TRANSFER - RAM STOP	1				
10	800878 01	TRANSFER - TRANSPORT	1				
11	190702 04	TRANSFER - SLING POINT	4				
12	801422 01	TRANSFER - ACCUMULATOR	1				
13	290526 01	SERIAL NO PLATE	1				
14	POP-0006	POP RIVET	2				
15	TNF-0013	INSPECTION TRANSFER	1				
16	806835 01	OIL CHECK TRANSFER	1				



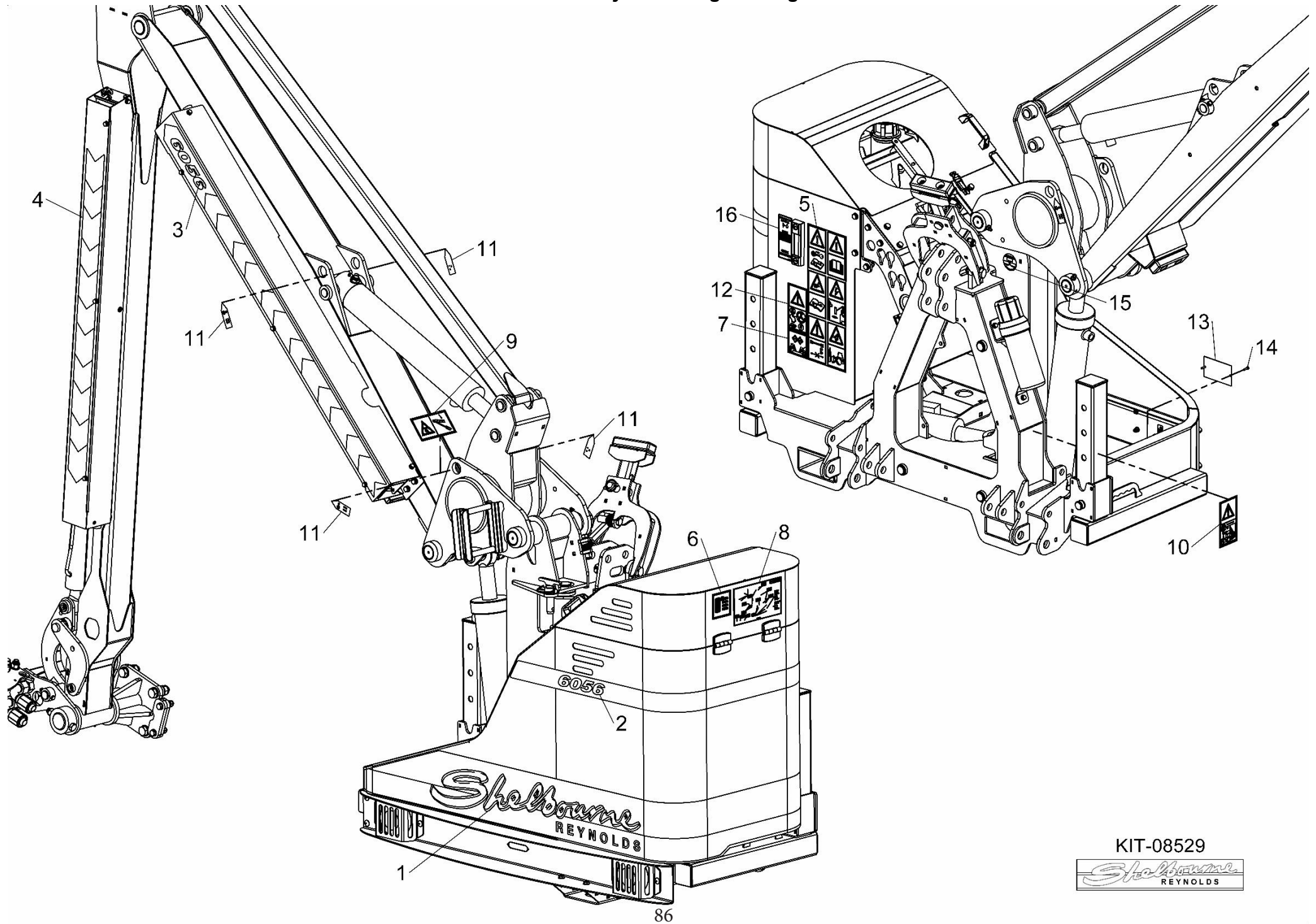
KIT-08528



Shelbourne Reynolds Engineering Limited

ASSY NUMBER: KIT-08529				ASSY DESCRIPTION: TRANSFERS KIT (6056)			
ITEM	PART NO	DESCRIPTION	QTY	ITEM	PART NO	DESCRIPTION	QTY
1	807419 01	MAIN SHELBOURNE TRANSFER	1				
2	807422 01	6056 TANK TRANSFER	1				
3	807424 01	6056 INNER BOOM TRANSFER	1				
4	806617 01	OUTER BOOM TRANSFER	1				
5	805599 01	ADVISORY TRANSFER	1				
6	800211 01	TRANSFER - FILTER	1				
7	800212 01	TRANSFER - CHECK CHAIN	1				
8	804761 01	TRANSFER - LUBRICATION	1				
9	210435 01	TRANSFER - RAM STOP	1				
10	800878 01	TRANSFER - TRANSPORT	1				
11	190702 04	TRANSFER - SLING POINT	4				
12	801422 01	TRANSFER - ACCUMULATOR	1				
13	290526 01	SERIAL NO PLATE	1				
14	POP-0006	POP RIVET	2				
15	TNF-0013	INSPECTION TRANSFER	1				
16	806835 01	OIL CHECK TRANSFER	1				

Shelbourne Reynolds Engineering Limited

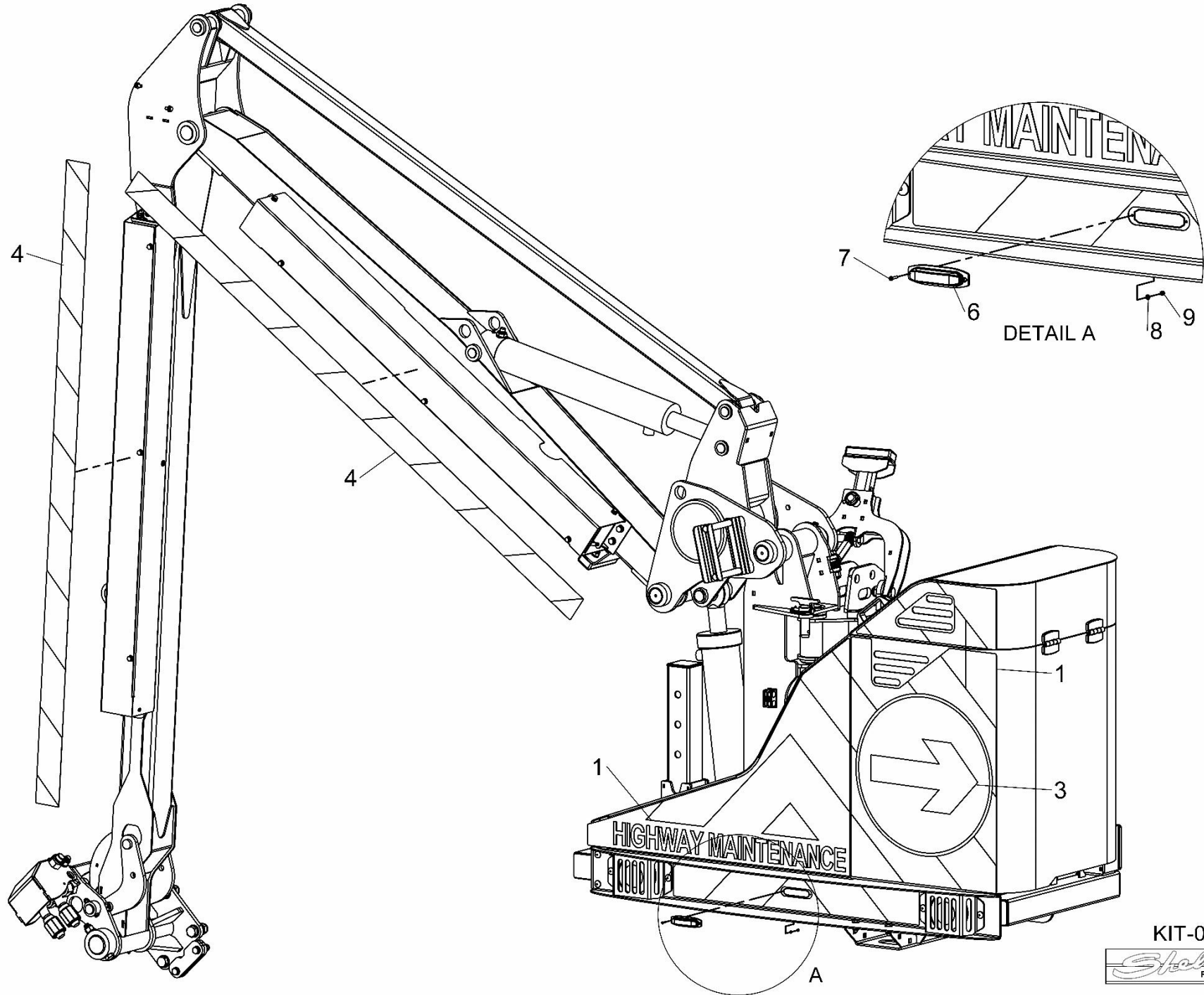


KIT-08529



Shelbourne Reynolds Engineering Limited

ASSY NUMBER: KIT-08530				ASSY DESCRIPTION: 6000 & 7000 SERIES TRIMMER HIGHWAYS KIT (NO DEBRIS BLOWER)			
ITEM	PART NO	DESCRIPTION	QTY	ITEM	PART NO	DESCRIPTION	QTY
1	807426 01	HIGHWAYS TRANSFER KIT	1				
2							
3	801977 01	MAGNETIC ARROW	1				
4	806881 01	BOOM HIGHWAYS TRANSFER	2				
5							
6	804684 01	WARNING LIGHT KIT	1				
7	SCFC03110	PAN HD.SCREW	2				
8	WSH-0001	WASHER	2				
9	NUTA02030	NYLOC NUT	2				

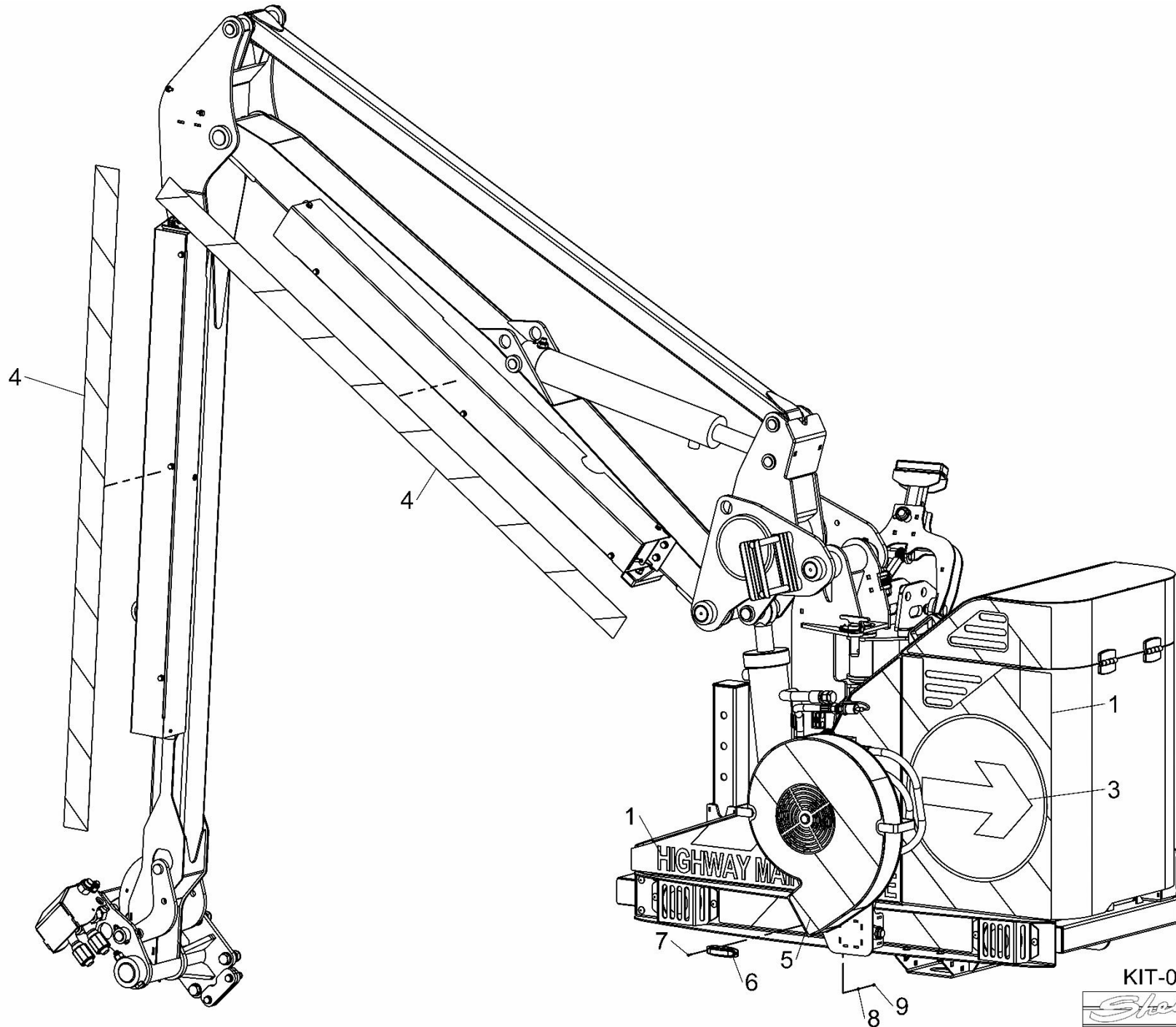


KIT-08530



Shelbourne Reynolds Engineering Limited

ASSY NUMBER: KIT-08530a				ASSY DESCRIPTION: 6000 & 7000 SERIES TRIMMER HIGHWAYS TRANSFERS KIT (WITH DEBRIS BLOWER)			
ITEM	PART NO	DESCRIPTION	QTY	ITEM	PART NO	DESCRIPTION	QTY
1	807426 01	HIGHWAYS TRANSFER KIT	1				
2							
3	801977 01	MAGNETIC ARROW	1				
4	806881 01	BOOM HIGHWAYS TRANSFER	2				
5	806105 01	DEBRIS BLOWER HIGHWAYS	1				
6	804684 01	WARNING LIGHT KIT	1				
7	SCFC03110	PAN HD.SCREW	2				
8	WSH-0001	WASHER	2				
9	NUTA02030	NYLOC NUT	2				

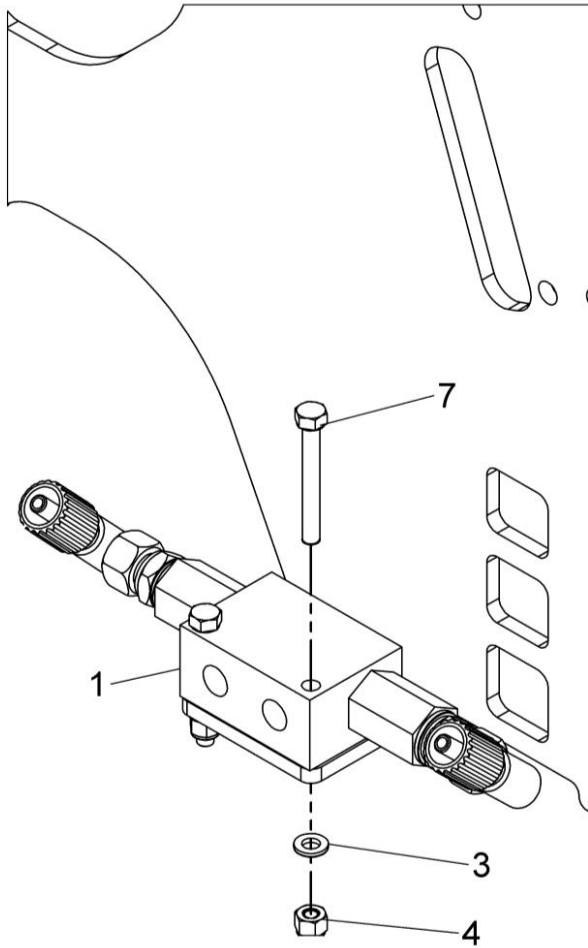


KIT-08530A



Shelbourne Reynolds Engineering Limited

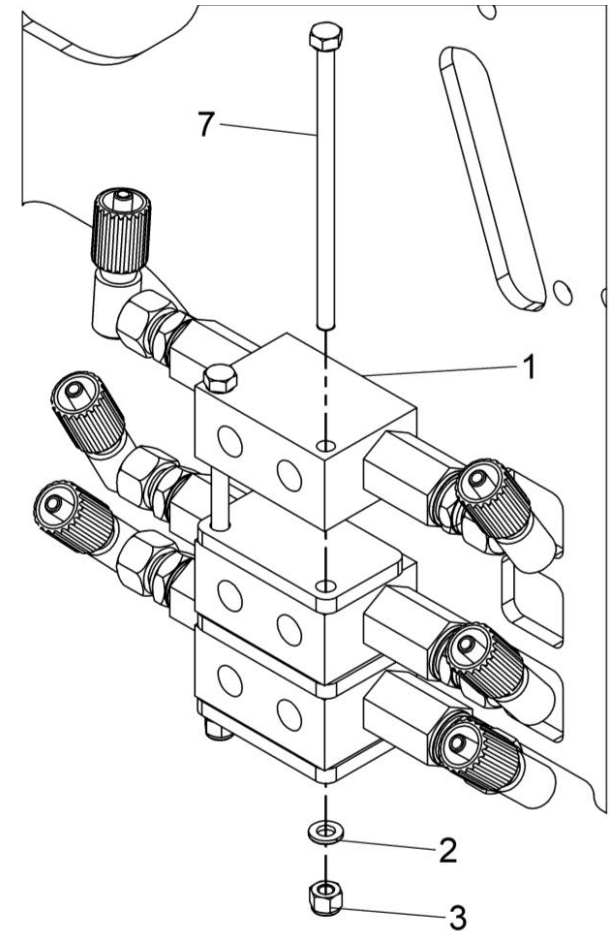
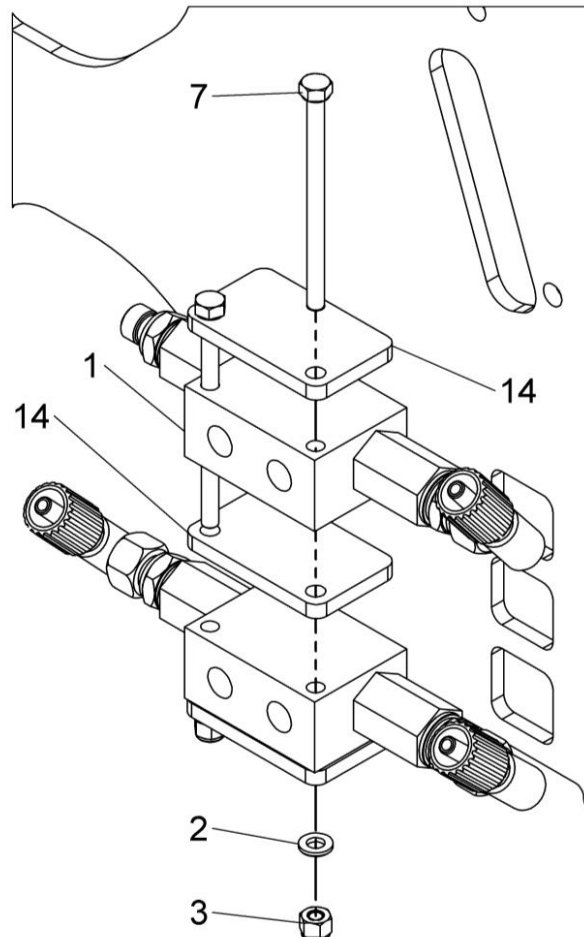
ASSY NUMBER: KIT-08533				ASSY DESCRIPTION: VALVE BLOCK FIXING KIT			
ITEM	PART NO	DESCRIPTION	QTY	ITEM	PART NO	DESCRIPTION	QTY
1	HVB-27000	VALVE BLOCK 1 HD OPT	1				
OR	HVB-27000	VALVE BLOCK 2 HD OPT	2				
OR	HVB-27000	VALVE BLOCK 3 HD OPT	3				
2							
3							
4							
5							
6							
7	BLTA06320	BOLT FOR 1 HD OPT	2		KIT-08533A	FIXING KIT FOR ONE HEAD OPTION KIT	
OR	BLTA06530	BOLT FOR 2 HD OPT	2		KIT-08533B	FIXING KIT FOR TWO HEAD OPTION KITS	
OR	BLTA06620	BOLT FOR 3 HD OPT	2		KIT-08533C	FIXING KIT FOR THREE HEAD OPTION KITS	
8	WSH-0009	WASHER	2				
9	NUT-0260	NYLOC NUT	2				
10							
11							
12							
13							
14	807552 01	PO SPACER FOR 2 HD OPT ONLY	2				



KIT-08533A

FIXING KIT FOR 1 HEAD OPTION KIT

KIT-08533B
FIXING KIT FOR 2 HEAD OPTION KITS



KIT-08533C

FIXING KIT FOR 3 HEAD OPTION KITS

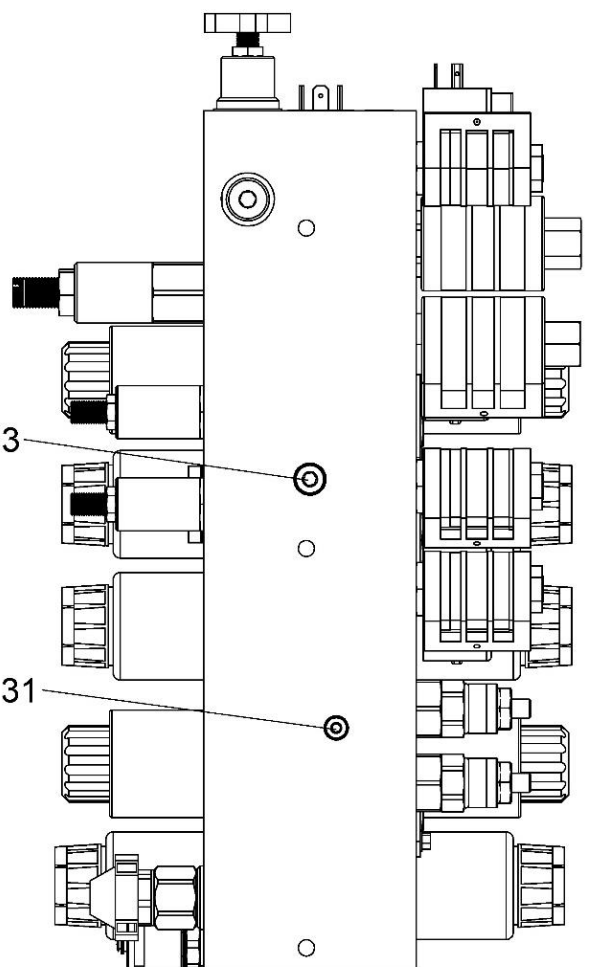
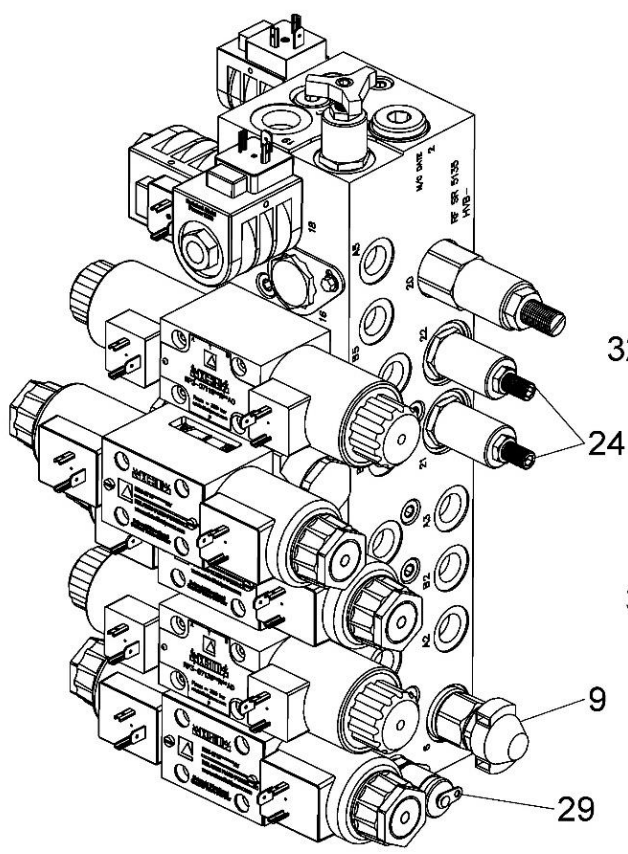
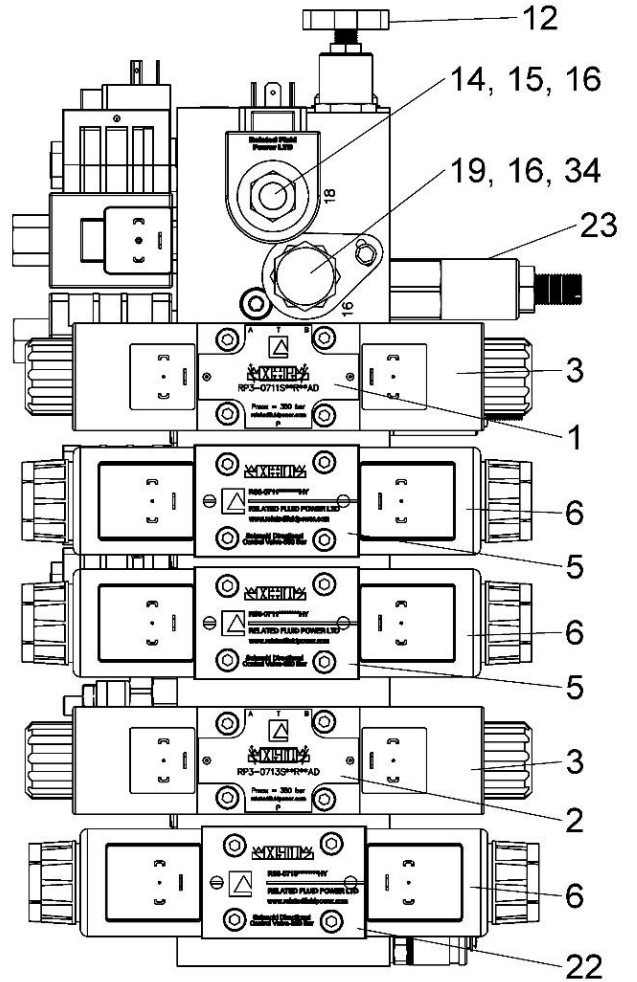
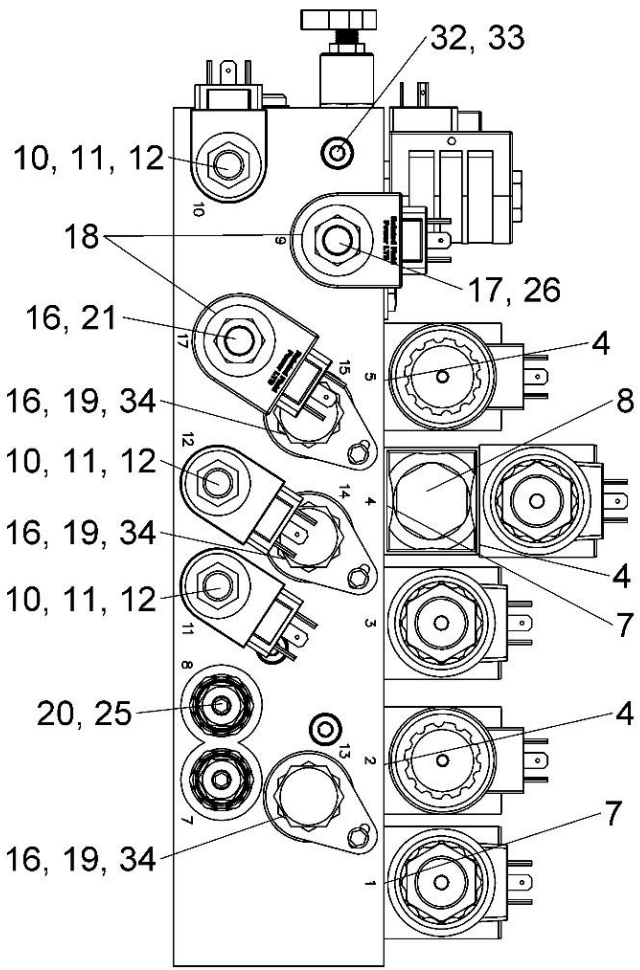
KIT-08533



Breakdown Pages

Shelbourne Reynolds Engineering Limited

ASSY NUMBER: HVB-19195				ASSY DESCRIPTION: VALVE BLOCK CYLINDERS			
ITEM	PART NO	DESCRIPTION	QTY	ITEM	PART NO	DESCRIPTION	QTY
1	HVB-90051	VALVE INC COIL (LIFT)	1				
2	HVB-90062	VALVE INC COIL (REACH)	1				
3	HVB-90050	COIL	4				
4	VSK-00160	SEAL KIT (FOR ITEMS 1, 2 & 27)	4				
5	HVB-90060	VALVE INC COIL (SLEW & H/ANG)	2				
6	HVB-90077	COIL (2012 & ON)	6				
7	VSK-00130	SEAL KIT (FOR ITEMS 5, 8 & 22)	3				
8	HVB-90064	CHECK VALVE BLOCK	1				
9	HVB-02240	RELIEF VALVE	1				
10	HVB-90052	SPOOL VALVE (NO COIL)	3				
OR	HVB-90071	SPOOL VALVE INC COIL	-				
11	HVB-90075	COIL	1				
12	HVB-90058	SEAL KIT	4				
13	HVB-90053	NUT SMALL	3				
14	HVB-90074	LOAD HOLD VALVE	1				
15	HVC-01001	COIL	1				
16	HVB-90057	SEAL KIT	1				
17	HVB-90076A	CHECK VALVE	1				
18	HVB-90054	NUT	2				
19	HVB-90063	CHECK VALVE	4				
20	HVB-90073	OVERCENTRE VALVE	2				
21	HVB-90055	DUMP VALVE	1				
22	HVB-90066	VALVE (TELE)	1				
23	HVB-90094	PRESSURE REDUCING VALVE	1				
24	HVB-90095	RELIEF VALVE	2				
25	VSK-00300	SEAL KIT	1				
26	HVB-90097	SEAL KIT	1				
27							
28							
29	HVB-90100	TEST PORT	1				
30	HVB-90101	ZERO LEAK PLUG (SIZE 02)	1				
31	ORA060060	O RING	1				
32	HVB-90102	ZERO LEAK PLUG (SIZE 04)	13				
33	ORA060080	O RING	13				
34	ORA1401918	O RING	5				



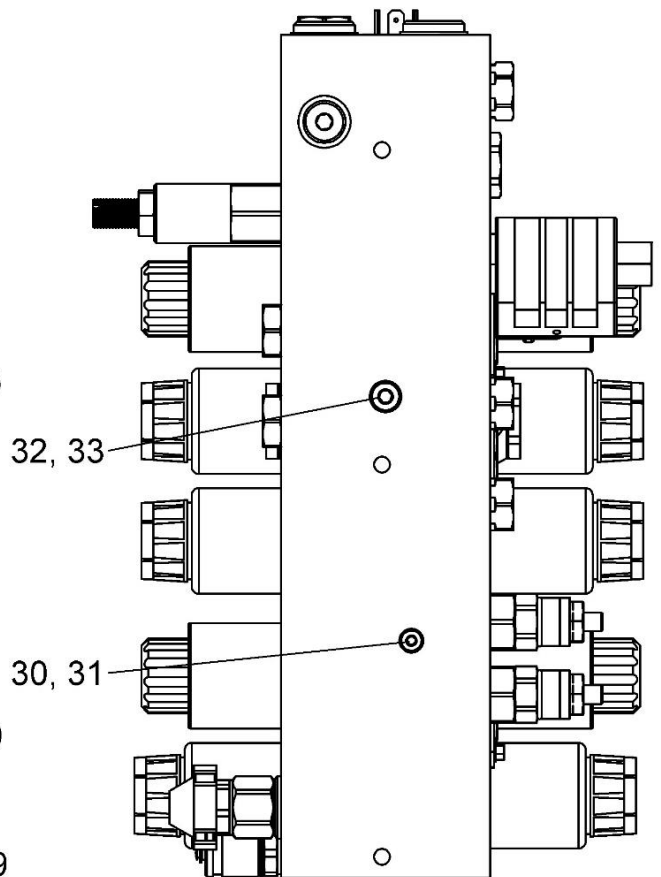
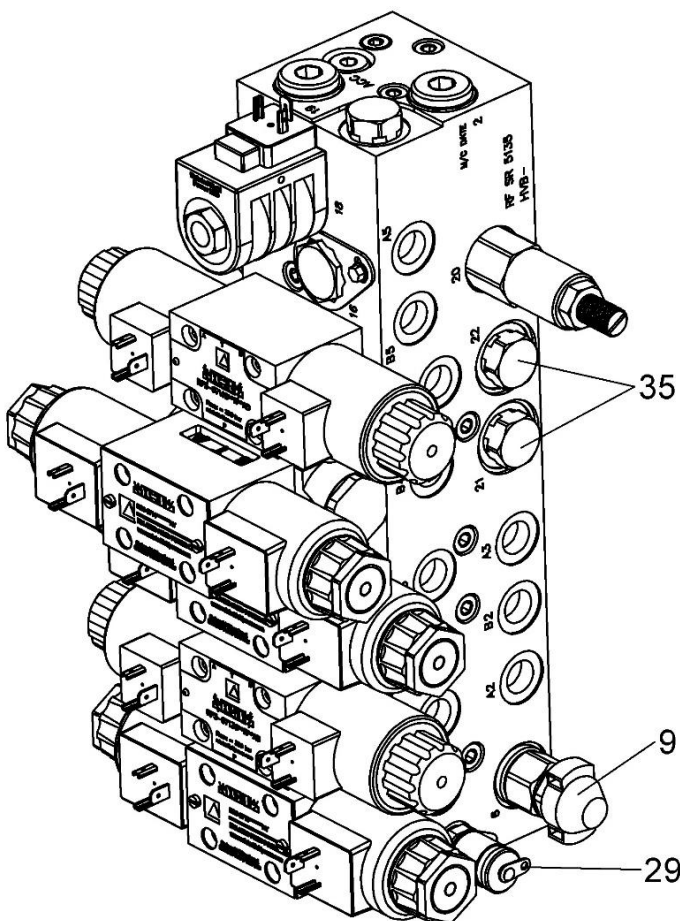
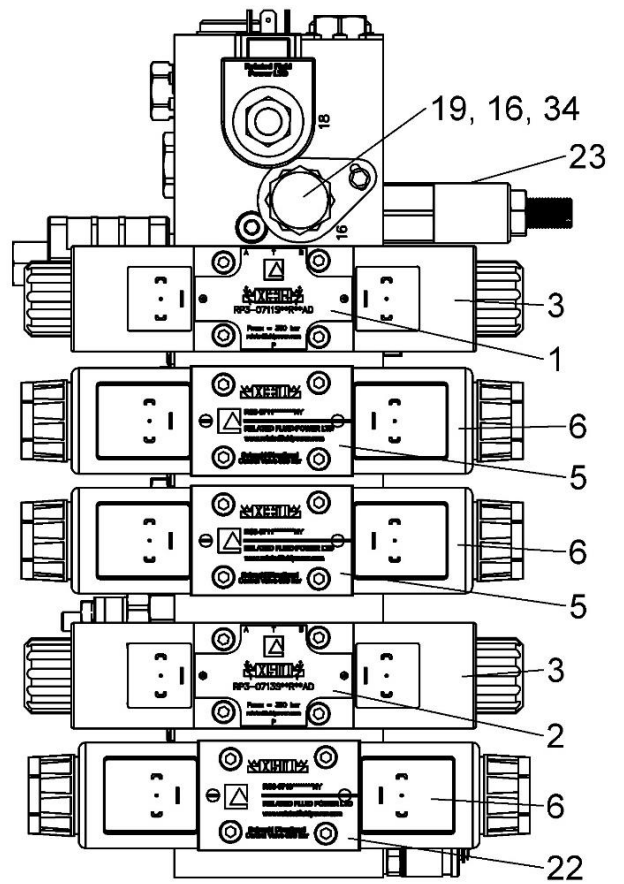
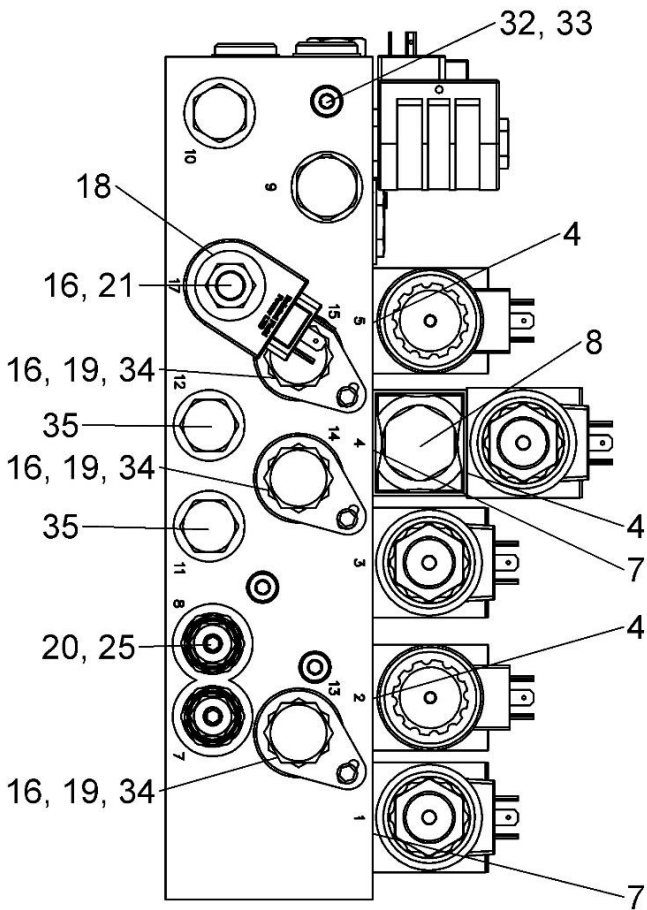
HVB-19195



Shelbourne Reynolds Engineering Limited

ASSY NUMBER: HVB-19200				ASSY DESCRIPTION: VALVE BLOCK CYLINDERS			
ITEM	PART NO	DESCRIPTION	QTY	ITEM	PART NO	DESCRIPTION	QTY
1	HVB-90051	VALVE INC COIL (LIFT & SLEW)	1				
2	HVB-90062	VALVE INC COIL (REACH)	1				
3	HVB-90050	COIL	4				
4	VSK-00160	SEAL KIT (FOR ITEMS 1, 2 & 27)	4				
5	HVB-90060	VALVE INC COIL (SLEW & H/ANG)	2				
6	HVB-90077	COIL (2012 & ON)	6				
7	VSK-00130	SEAL KIT (FOR ITEMS 5, 8 & 22)	3				
8	HVB-90064	CHECK VALVE BLOCK	1				
9	HVB-02240	RELIEF VALVE	1				
10							
OR							
11							
12							
13	HVB-90053	NUT SMALL	3				
14							
15							
16							
17							
18	HVB-90054	NUT	2				
19	HVB-90063	CHECK VALVE	4				
20	HVB-90073	OVERCENTRE VALVE	2				
21	HVB-90055	DUMP VALVE	1				
22	HVB-90066	VALVE (TELE)	1				
23	HVB-90094	PRESSURE REDUCING VALVE	1				
24							
25	VSK-00300	SEAL KIT	1				
26							
27							
28							
29	HVB-90100	TEST PORT	1				
30	HVB-90101	ZERO LEAK PLUG (SIZE 02)	1				
31	ORA060060	O RING	1				
32	HVB-90102	ZERO LEAK PLUG (SIZE 04)	13				
33	ORA060080	O RING	13				
34	ORA1401918	O RING	5				
35	HVB-90124	SEAL KIT	4				

Shelbourne Reynolds Engineering Limited



HVB-19200

