

## HD 1.2 & 1.5m HEAD PARTS MANUAL



# POWER ROLLER BLADE

Shelbourne Reynolds Engineering Ltd  
Stanton  
Bury St Edmunds  
Suffolk  
IP31 2AR  
England

Telephone: 01359 250415  
Fax: 01359 250464

Stores Direct : 01359 251231  
Stores Direct: 01359 252031

Issue 1 08/03/2022

# ORDERING SPARE PARTS

## IMPORTANT

Your **Trimmer** is made up of a Machine assembly number (common parts), specific sub assemblies and also customer optional build kits. The machine, sub assemblies and optional kit numbers are listed in the front pages of your Operators manual, part no. **MAN-10112**. If you do not have these numbers please contact Shelbourne Reynolds Parts Department direct on (telephone) 01359 251231.

To ensure that you order the correct part from your SRE dealer please use the following procedure.

## **ALWAYS QUOTE THE MACHINE AND SERIAL NUMBERS WHEN ORDERING.**

Refer to the Parts Manuals front page/s, listing the machine assemblies. Select the correct machine assembly number which is printed in the top left corner of the page (starting with **8099\_ \_ 01**), This machine number can also be taken off the **Trimmer** identification plate located on the front of the main chassis beam.

On this page you will find the parts listing for the common parts for every configuration of that machine assembly number.

You will find the corresponding drawing by either looking at the facing page or progressing through the manual to the next drawing.

The drawings indicate the components by item numbers, which you will find, are repeated in the left-hand side of your parts listing, and therefore referring to the correct part.

Note all parts will not be found listed below the machine number. Other parts will be from specific sub assemblies and optional kits. These sub assemblies and kits will be found in numerical order further through the manual. Sub assemblies start with **8090\_ \_ 01** and kits start with **KIT- 08\_ \_ \_ \_**.



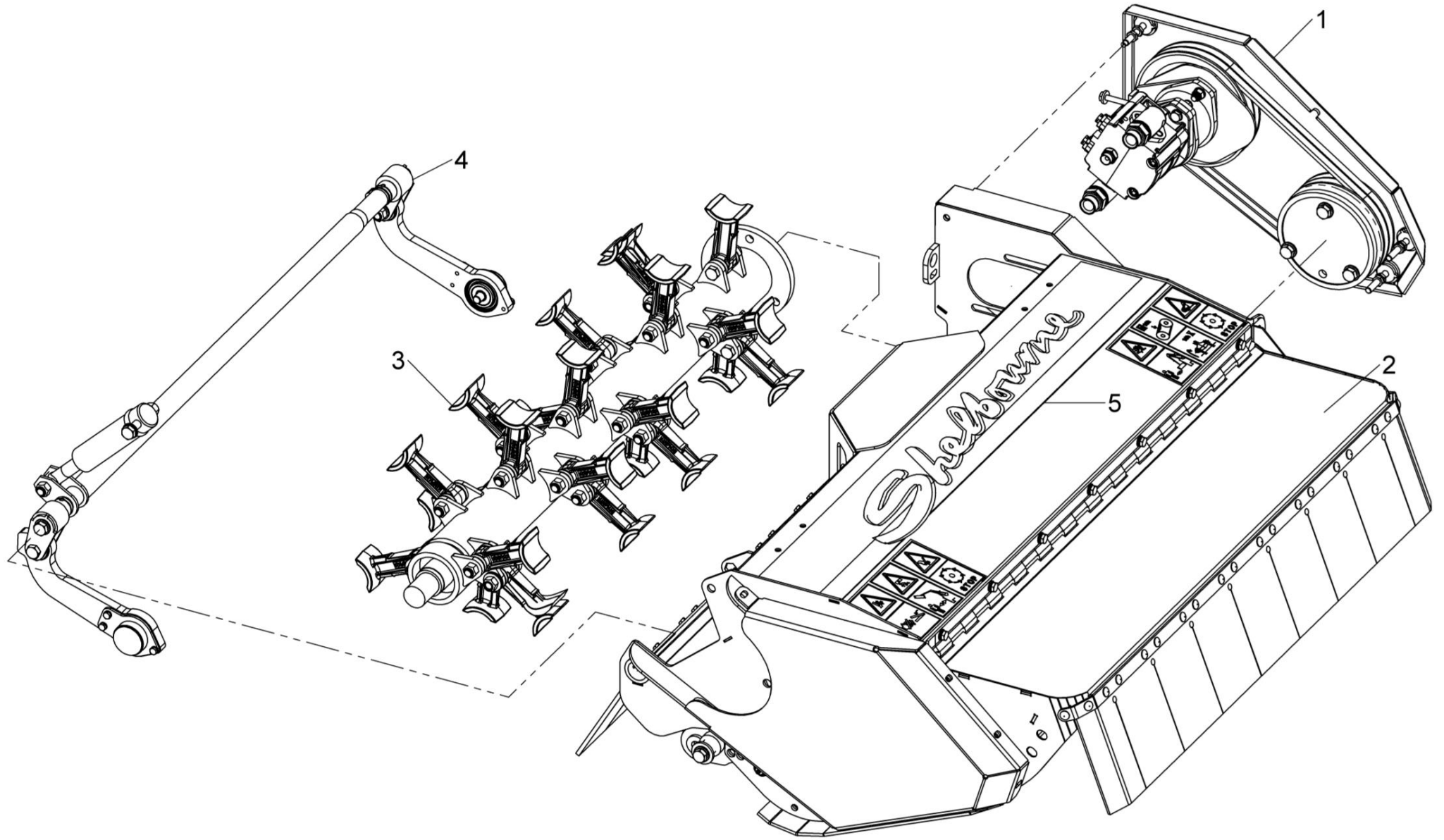
## List Of Kit Numbers

809902 01	1.2m Head Assy (LH Drive Head)	6
809902 02	1.5m Head Assy (LH Drive Head)	8
809902 04	1.2m Head Assy (RH Drive Head)	10
809902 05	1.5m Head Assy (RH Drive Head)	12
809010 01	Flail MTG & Drive Assy	14
809010 01A	1.5m Flail MTG & Drive Assy	16
809010 01BG	Flail MTG & Drive Assy	18
809010 01R	Flail MTG & Drive Assy (RH Head Drive)	20
809028 01	Flail MTG & Drive Assy	22
KIT-08000	1.2m Flail Assy (All Types)	24
KIT-08001	1.5m Flail Assy (All Types)	26
KIT-08118	1.2m Head Shell, Nose & Roller	28
KIT-08121	1.5m Head Shell, Nose & Roller	30
KIT-08160	Adjustable Roller	32
KIT-08165	Head Transfer Kit	34
KIT-08176	HYD Adjustable Roller(Bearing Type) 2013 & ON	36
KIT-08177	1.2m Head Shell, Nose & Roller (2013 & ON)	38
KIT-08177BG	1.2m Head Shell, Nose & Roller Blue & Grey	40
KIT-081778	1.5m Head Shell, Nose & Roller (2013 & ON)	42
KIT-08178BG	1.5m Head Shell, Nose & Roller Blue & Grey	44
	<b>Kit Options</b>	<b>47</b>
KIT-08277	1.2m & 1.5m HYD Nose Kit (LH & RH Drive)	48
KIT-08441	HD Head Standard Power Kit	50
KIT-08442	HD Head Higher Power Kit	52



## Shelbourne Reynolds Engineering Limited

ASSY NUMBER: 809902 01				ASSY DESCRIPTION: 1.2 M HEAD ASSY, COMPLETE (LH DRIVE HEAD)			
ITEM	PART NO	DESCRIPTION	QTY	ITEM	PART NO	DESCRIPTION	QTY
1	809028 01	FLAIL MTG. & DRIVE SUB ASSY (PBXXX170760 & ON)	1				
OR	809010 01	FLAIL MTG. & DRIVE SUB ASSY (UP TO PBXXX170760)	1				
OR	809010 01BG	FLAIL MTG & DRIVE SUB ASSY BLUE & GREY (UP TO	1				
2	KIT-08177	1.2Mt HEAD (LH/OUTBOARD DRIVE) 2013 & ON	1				
OR	KIT-08177BG	1.2Mt HEAD (LH/OUTBOARD DRIVE) BLUE & GREY	1				
OR	KIT-08118	1.2Mt HEAD (LH/OUTBOARD DRIVE) UPTO 2013	1				
3	KIT-08000D	T FLAIL ASSY (1.2M) DROP (2018 & ON)	1				
OR	KIT-08000A	T FLAIL ASSY (CAST) (1.2M) (2013 UP TO 2018)	1				
4	KIT-08176A	1.2Mt ADJ ROLLER LINKAGE (LH DRIVE) BEARING TYPE(2013&	1				
OR	KIT-08176AB	1.2Mt ADJ ROLLER LINKAGE (LH DRIVE) BLUE	1		809902 01BG	1.2mt COMPLETE HEAD (LH DRIVE HEAD) - BLUE	
OR	KIT-08160A	1.2Mt ADJ ROLLER LINKAGE (LH DRIVE) (UPTO 2013)	1				
5	KIT-08165	HEAD TRANSFERS - BLUE UP TO 2016 ONLY	1				
OR	KIT-08165G	HEAD TRANSFERS - GREY	1				



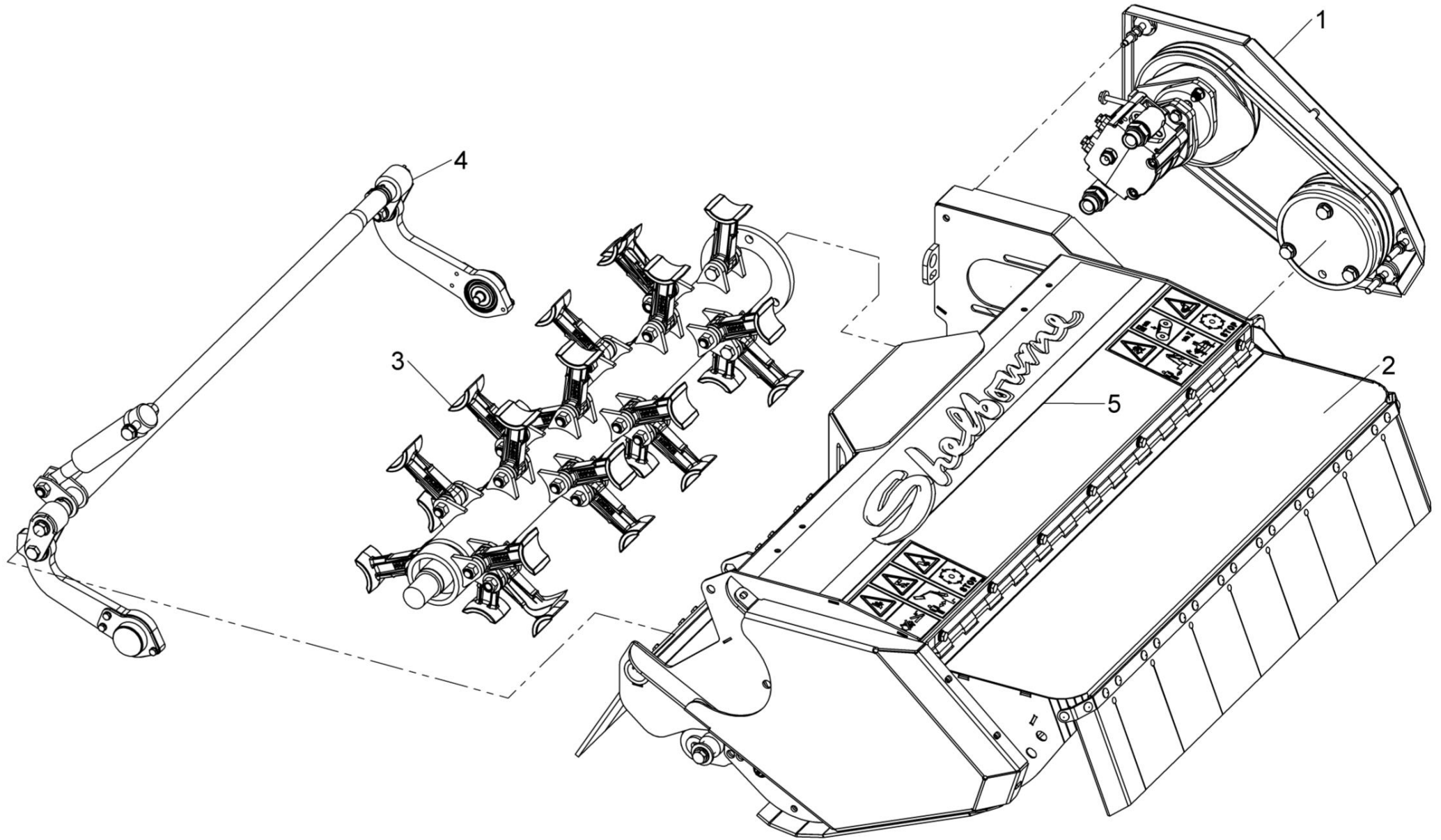
809902 01



# Shelbourne Reynolds Engineering Limited

ASSY NUMBER: 809902 02				ASSY DESCRIPTION: 1.5 M HEAD ASSY, COMPLETE			
ITEM	PART NO	DESCRIPTION	QTY	ITEM	PART NO	DESCRIPTION	QTY
1	809028 01A	FLAIL MTG & DRIVE SUB ASSY (PBXXX170760 & ON)	1				
OR	809010 01A	FLAIL MTG & DRIVE SUB ASSY (UP TO PBXXX170760)					
OR	809010 01ABG	FLAIL MTG & DRIVE - BLUE/GREY (UP TO PBXXX170760)					
2	KIT-08178	1.5Mt HEAD (LH/OUTBOARD DRIVE) 2013 & ON	1				
OR	KIT-08178BG	1.5Mt HEAD (LH/OUTBOARD DRIVE) BLUE/GREY					
OR	KIT-08121	1.5Mt HEAD (LH/OUTBOARD DRIVE) UPTO 2013					
3	KIT-08001D	T FLAIL ASSY (1.5M) DROP (2018 & ON)	1				
OR	KIT-08001A	T FLAIL ASSY (1.5M) (CAST) (2013 UP TO 2018)	1				
4	KIT-08176C	1.5Mt ADJ ROLLER LINKAGE BEARING TYPE (LH DRIVE) 2013 & ON	1				
OR	KIT-08176B	1.5Mt ADJ ROLLER LINKAGE BEARING TYPE (LH DRIVE) BLUE			809902 02BG	1.5mt COMPLETE HEAD (LH DRIVE HEAD) - BLUE	
OR	KIT-08160C	1.5Mt ADJ ROLLER LINKAGE LH DRIVE UPTO 2013					
5	KIT-08165	HEAD TRANSFERS - BLUE UP TO 2016 ONLY	1				
OR	KIT-08165G	HEAD TRANSFERS - GREY					



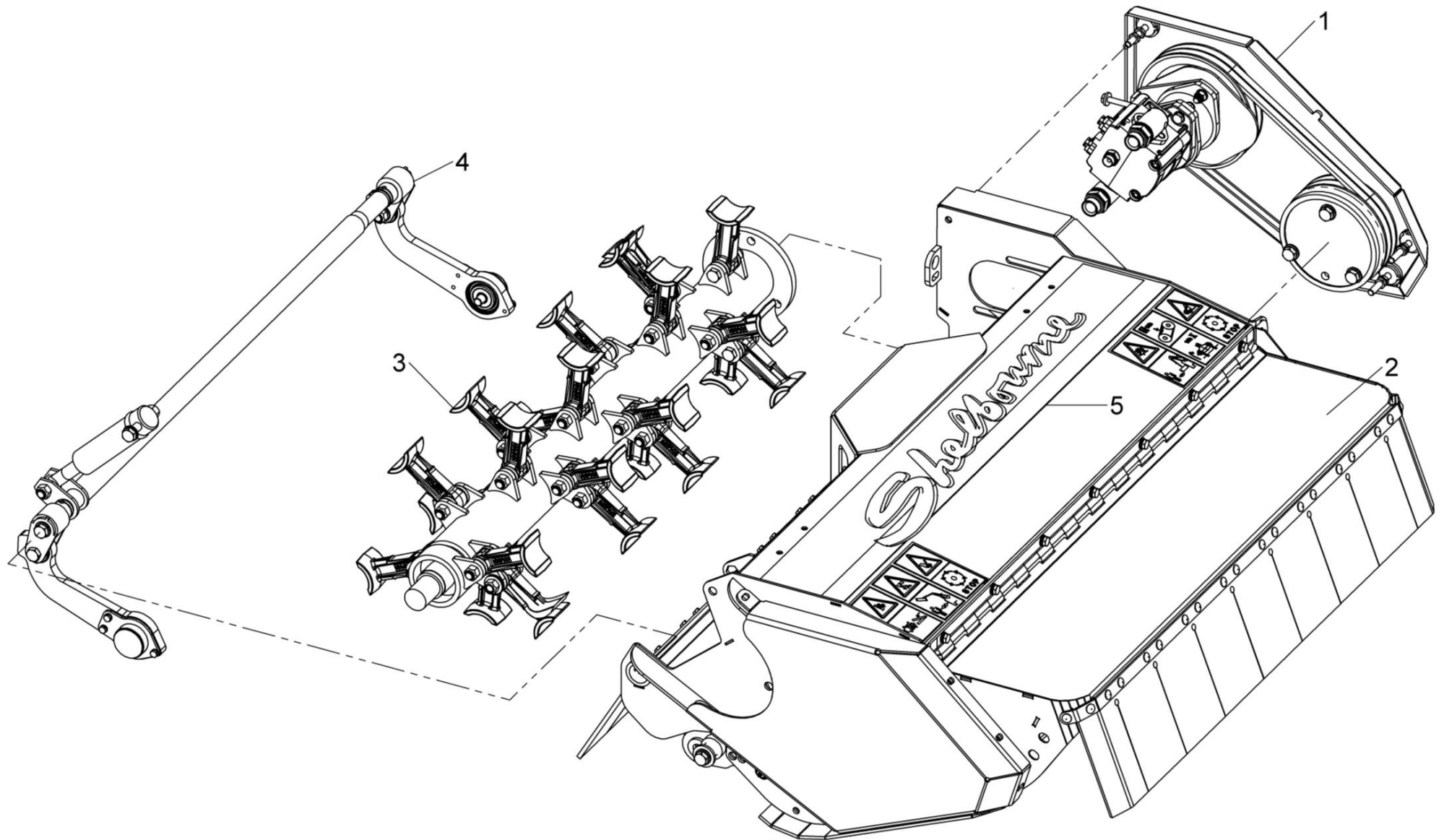


809902 02



## Shelbourne Reynolds Engineering Limited

ASSY NUMBER: 809902 04				ASSY DESCRIPTION: 1.2 M HEAD ASSY RH DRIVE INBOARD, COMPLETE			
ITEM	PART NO	DESCRIPTION	QTY	ITEM	PART NO	DESCRIPTION	QTY
1	809028 01R	FLAIL MTG AND DRIVE (PBXXX170760 & ON)	1				
OR	809010 01R	FLAIL MTG AND DRIVE (UP TO PBXXX170760)					
OR	809010 01RBG	FLAIL MTG AND DRIVE BLUE & GREY (UP TO					
2	KIT-08177R	1.2Mt HEAD (RH/INBOARD DRIVE) 2013 & ON	1				
OR	KIT-08177RBG	1.2Mt HEAD (RH/INBOARD DRIVE) BLUE & GREY					
OR	KIT-08118R	1.2Mt HEAD (RH/INBOARD DRIVE) UPTO 2013					
3	KIT-08000D	T FLAIL ASSY (1.2M) DROP (2018 & ON)	1				
OR	KIT-08000A	T FLAIL ASSY (CAST) (1.2M) (2013 UP TO 2018)	1				
OR	KIT-08176BB	1.2Mt ADJ ROLLER LINKAGE (RH DRIVE) BLUE	1		809902 04BG	1.2mt COMPLETE HEAD (RH/INBOARD) - BLUE & GREY	
OR	KIT-08160B	1.2Mt ADJ ROLLER LINKAGE (RH DRIVE) UPTO 2013					
4	KIT-08176B	1.2Mt ADJ ROLLER LINKAGE	3				
5	KIT-08165	HEAD TRANSFERS - BLUE UP TO 2016 ONLY	1				
OR	KIT-08165G	HEAD TRANSFERS - GREY					



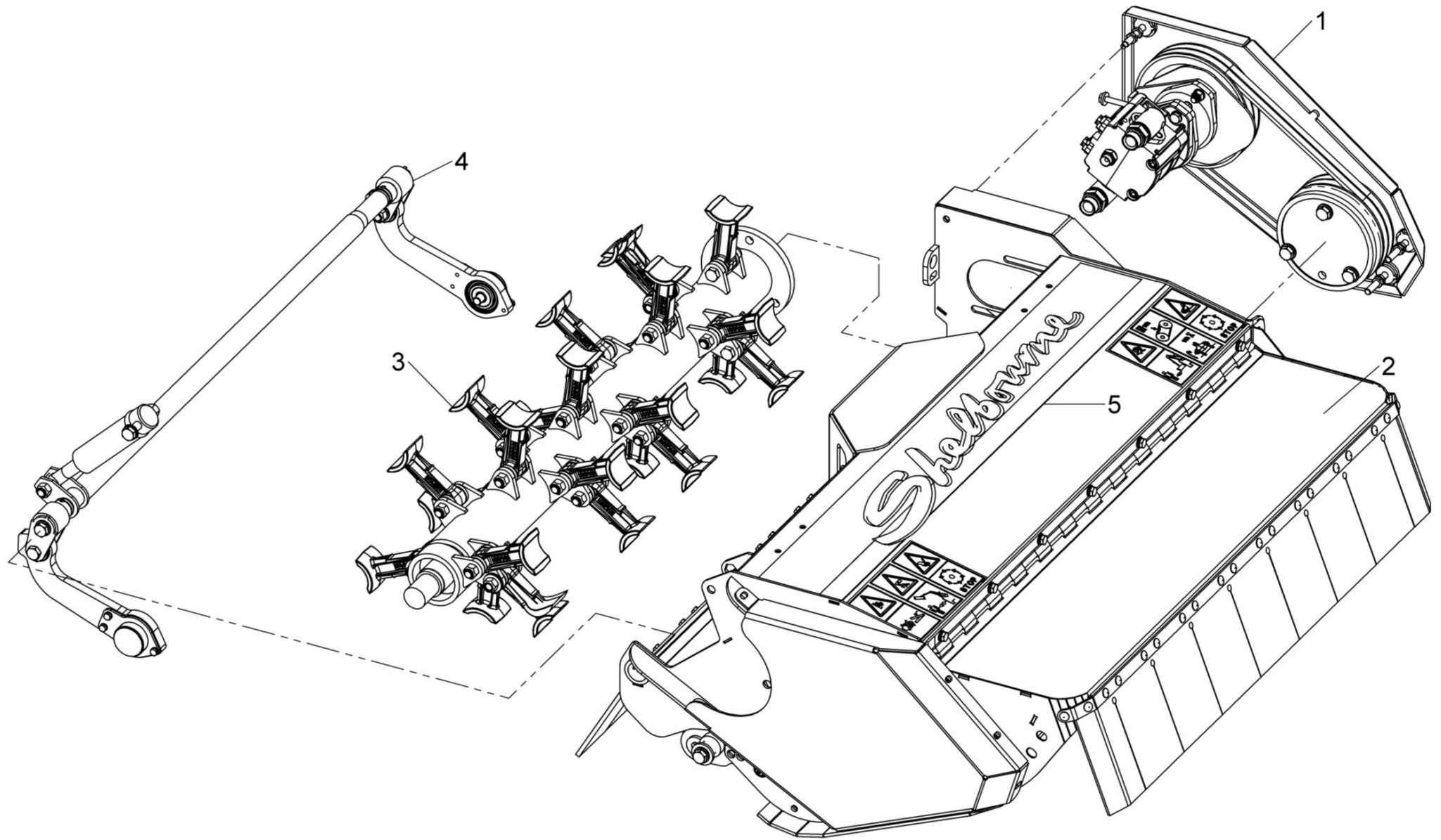
809902 04



## Shelbourne Reynolds Engineering Limited

ASSY NUMBER: 809902 05				ASSY DESCRIPTION: 1.5 M HEAD ASSY RH DRIVE (INBOARD),COMPLETE			
ITEM	PART NO	DESCRIPTION	QTY	ITEM	PART NO	DESCRIPTION	QTY
1	809028 01AR	FLAIL MTG AND DRIVE (PBXXX170760 & ON)	1				
OR	809010 01AR	FLAIL MTG AND DRIVE (UP TO PBXXX170760)					
OR	809010 01ARBG	FLAIL MTG AND DRIVE BLUE & GREY (UP TO					
2	KIT-08178R	1.5Mt HEAD (RH/INBOARD DRIVE) 2013 & ON	1				
OR	KIT-08178RBG	1.5Mt HEAD (RH/INBOARD DRIVE) BLUE & GREY					
OR	KIT-08121R	1.5Mt HEAD (RH/INBOARD DRIVE) UPTO 2013					
3	KIT-08001D	T FLAIL ASSY (1.5M) DROP (2018 & ON)	1				
OR	KIT-08001A	T FLAIL ASSY (1.5M) (CAST) (2013 UP TO 2018)	1				
4	KIT-08176D	1.5Mt ADJ ROLLER LINKAGE (RH DRIVE) 2013 & ON	1				
OR	KIT-08176DB	1.5Mt ADJ ROLLER LINKAGE (RH DRIVE) BLUE			809902 05BG	1.5Mt HEAD COMPLETE (RH/INBOARD DRIVE) BLUE & GREY	
OR	KIT08160D	1.5Mt ADJ ROLLER LINKAGE (RH DRIVE) UPTO 2013					
5	KIT-08165	HEAD TRANSFERS - BLUE UP TO 2016 ONLY	1				
OR	KIT-08165G	HEAD TRANSFERS - GREY					



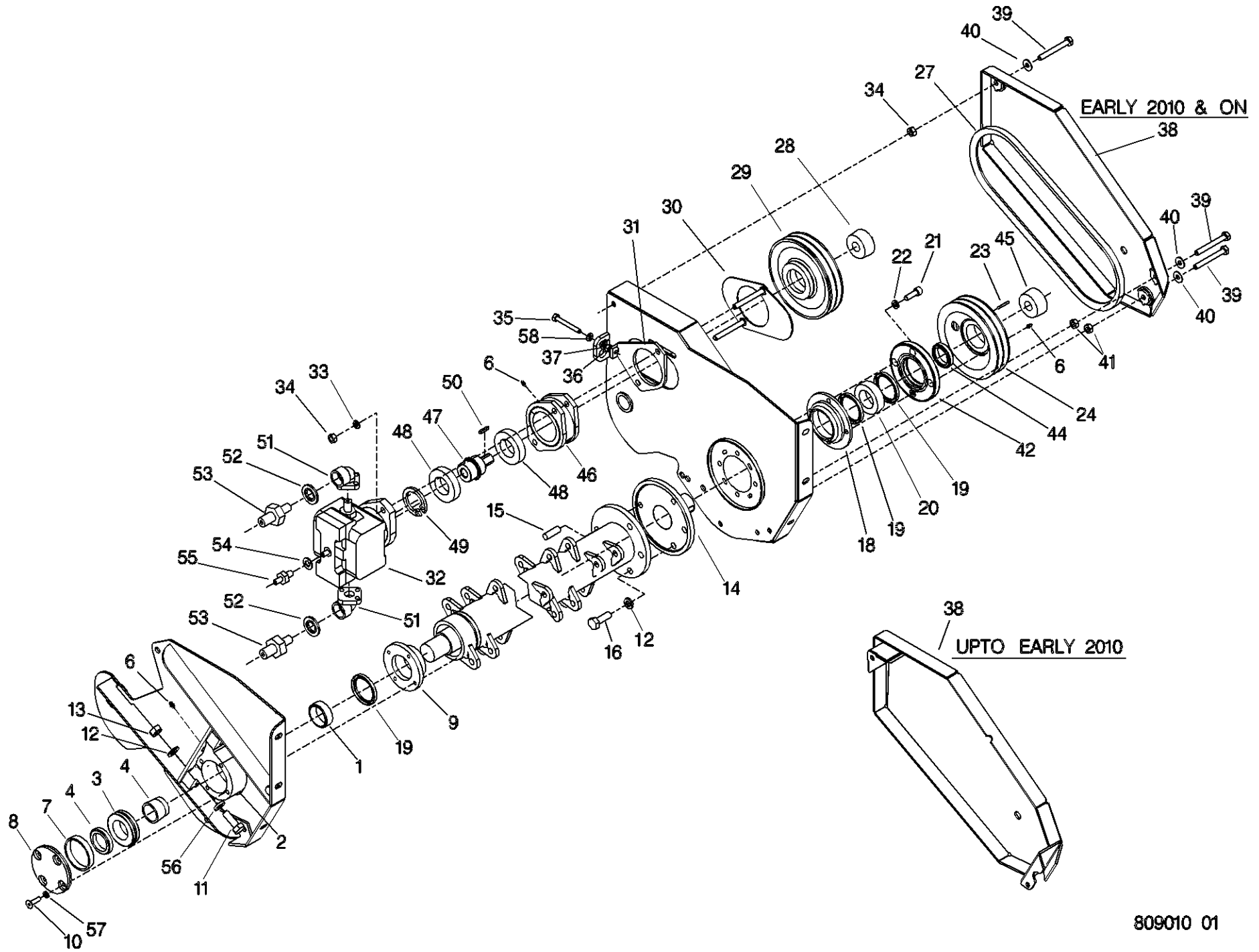


809902 05



# Shelbourne Reynolds Engineering Limited

ASSY NUMBER: 809010 01				ASSY DESCRIPTION: FLAIL MTG.& DRIVE ASSY (UPTO PBXXX170760)			
ITEM	PART NO	DESCRIPTION	QTY	ITEM	PART NO	DESCRIPTION	QTY
1	800019 01	SLEEVE	1	35	HSSA10500	SET SCREW	1
2	800873 01	BEARING HOUSING	1	36	NUT-0167	PLAIN NUT	1
3	BRG-14580	BEARING	1	37	WSH-0015	PLAIN WASHER	1
4	BRG-94521	BEARING SLEEVE	1	38	801553 01	DRIVE COVER	1
5				OR	801553 02	DRIVE COVER RH HEAD DRIVE	1
6	NIP-00600	GREASE NIPPLE	3	39	HSSA12500	SETSCREW	3
7	800067 01	SPACER	1	40	WSHA30121	WASHER	3
8	802219 01	COVER(2012 & ON)	1	41			
OR	800874 01	COVER (UPTO 2012)	1	42	801064 02	BEARING RETAINER	1
9	800017 01	SLEEVE (1.2Mt)	1	43			
OR	804742 01	SLEEVE (1.5Mt)	1	44	801066 01	PULLEY SPACER	1
10	BLTA10440	HEX.HEAD BOLT	4	45	BSHZ05056	TAPER LOCK BUSH	1
OR	SCEA10473	CSK.SCREW (UPTO 2012)	1	46	801116 01	OUTRIGGER HOUSING WA	1
11	BLTA16474	BOLT	2	47	801104 01	OUTRIGGER SHAFT	1
12	WSHA30161	WASHER	3	48	BRG-15050	SUPPORT	2
13	NUTA15162	STOVER NUT	2	49	CIR010090	CIRCLIP INT	1
14	801067 01	DRIVE FLANGE	1	50	KEYB20000	KEY	1
15	193079 01	DOWEL PIN	1	51	FITF00005	FLANGE ELBOW CONNECTOR	2
16	HSSA16200	SETSCREW	3	52	WSH-1025	DOWTY WASHER (1")	2
17				53	FIT-0546	ADAPTOR	2
18	800700 02	BEARING HOUSING	1	54	WSH-1010	DOWTY WASHER	1
19	SEAA06500	SHAFT SEAL	3	55	HMA-0065	ADAPTOR	1
20	BRG-15080	BEARING	1	56	190119 85	WASHER	2
21	SCW-0245	SOC CAP HD SCREW	4	57	WSH-0061	SPRING WASHER	4
22	WSH-0065	SPRING WASHER	3	58	190119 11	WASHER	1
23	K1409032	KEY	1				
24	803097 01	DRIVE PULLEY PB7XX140345 & ON	1				
OR	801065 01	DRIVE PULLEY UPTO PB7XX140345	1				
25							
26							
27	BEL-10140	V-BELT	2				
28	BSHZ14032	TAPERLOCK BUSH	1				
29	800027 02	MOTOR PULLEY	1				
30	800023 02	RETAINING RING	1				
OR	800023 06	RETAINING RING RH HEAD DRIVE	1				
31	800028 01	MOTOR MTG.PLATE	1				
32	MOTH03900	HYD MOTOR	1				
32A	HMS03900	MOTOR SEAL KIT					
33	WSH-0018	PLAIN WASHER	2				
34	NUT-0269	NYLOC NUT	5				

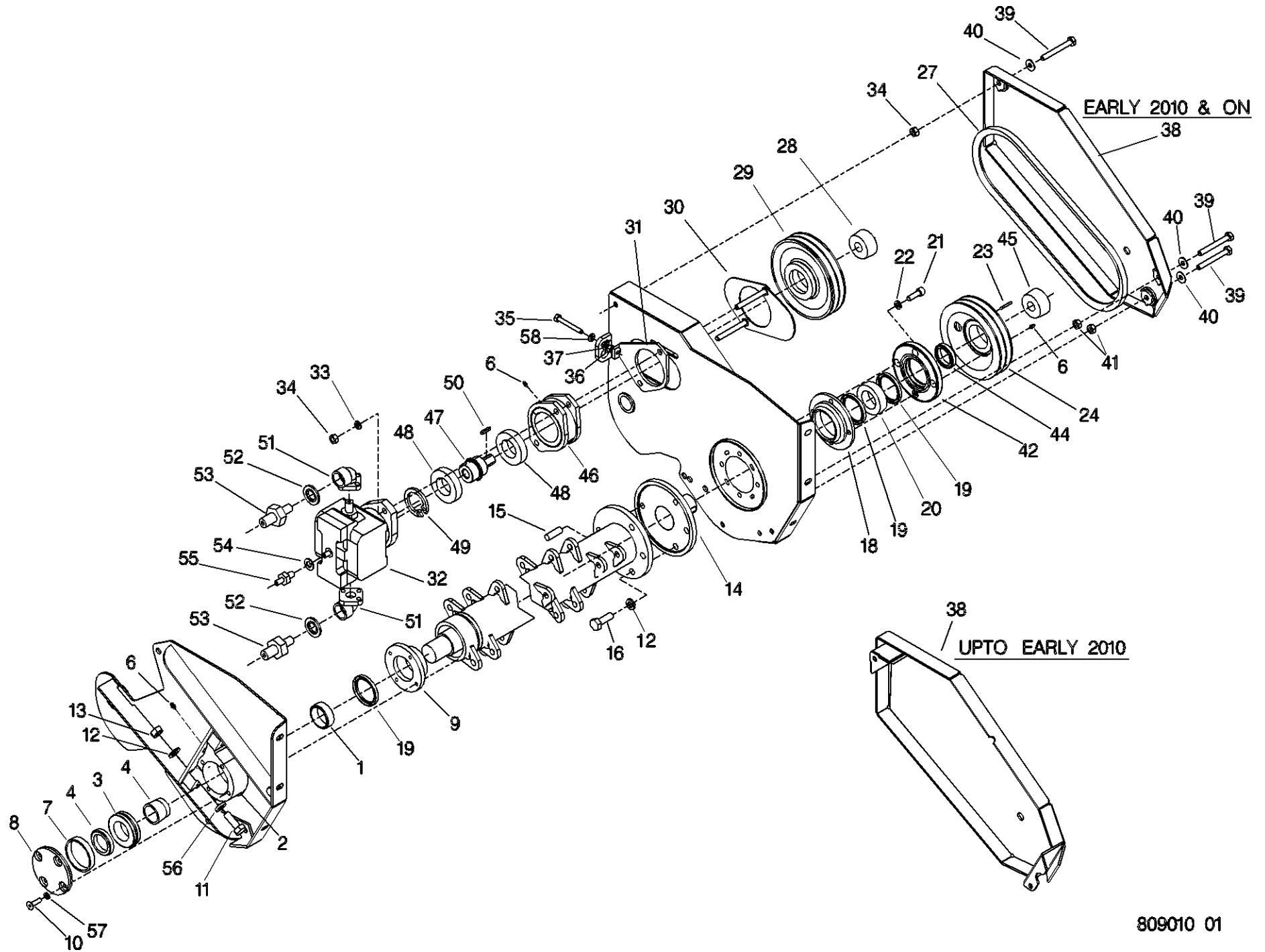


809010 01

# Shelbourne Reynolds Engineering Limited

ASSY NUMBER: 809010 01A				ASSY DESCRIPTION: 1.5m FLAIL MTG.& DRIVE SUB ASSY (UPTO PBXXX170760)			
ITEM	PART NO	DESCRIPTION	QTY	ITEM	PART NO	DESCRIPTION	QTY
1	800019 01	SLEEVE	1	35	HSSA10500	SET SCREW	1
2	800873 01	BEARING HOUSING	1	36	NUT-0167	PLAIN NUT	1
3	BRG-14580	BEARING	1	37	WSH-0015	PLAIN WASHER	1
4	BRG-94521	BEARING SLEEVE	1	38	801553 01	DRIVE COVER	1
5				OR	801553 02	DRIVE COVER RH HEAD DRIVE	1
6	NIP-00600	GREASE NIPPLE	3	39	HSSA12500	SETSCREW	3
7	800067 01	SPACER	1	40	WSHA30121	WASHER	3
8	802219 01	COVER(2012 & ON)	1	41			
OR	800874 01	COVER (UPTO 2012)	1	42	801064 02	BEARING RETAINER	1
9	804742 01	SLEEVE (1.5Mt)	1	43			
10	BLTA10440	HEX.HEAD BOLT	4	44	801066 01	PULLEY SPACER	1
OR	SCEA10473	CSK.SCREW (UPTO 2012)	1	45	BSHZ05056	TAPER LOCK BUSH	1
11	BLTA16474	BOLT	2	46	801116 01	OUTRIGGER HOUSING WA	1
12	WSHA30161	WASHER	3	47	801104 01	OUTRIGGER SHAFT	1
13	NUTA15162	STOVER NUT	2	48	BRG-15050	SUPPORT	2
14	801067 01	DRIVE FLANGE	1	49	CIR010090	CIRCLIP INT	1
15	193079 01	DOWEL PIN	1	50	KEYB20000	KEY	1
16	HSSA16200	SETSCREW	3	51	FITF00005	FLANGE ELBOW CONNECTOR	2
17				52	WSH-1025	DOWTY WASHER (1")	2
18	800700 02	BEARING HOUSING	1	53	FIT-0546	ADAPTOR	2
19	SEAA06500	SHAFT SEAL	3	54	WSH-1010	DOWTY WASHER	1
20	BRG-15080	BEARING	1	55	HMA-0065	ADAPTOR	1
21	SCW-0245	SOC CAP HD SCREW	4	56	190119 85	WASHER	2
22	WSH-0065	SPRING WASHER	3	57	WSH-0061	SPRING WASHER	4
23	K1409032	KEY	1	58	190119 11	WASHER	1
24	803097 01	DRIVE PULLEY PB7XX140345 & ON	1				
OR	801065 01	DRIVE PULLEY UPTO PB7XX140345	1				
25							
26							
27	BEL-10140	V-BELT	2				
28	BSHZ14032	TAPERLOCK BUSH	1				
29	800027 02	MOTOR PULLEY	1				
30	800023 02	RETAINING RING	1				
OR	800023 06	RETAINING RING RH HEAD DRIVE	1				
31	800028 01	MOTOR MTG.PLATE	1				
32	MOTH03900	HYD MOTOR	1				
32A	HMS03900	MOTOR SEAL KIT					
33	WSH-0018	PLAIN WASHER	2				
34	NUT-0269	NYLOC NUT	5				

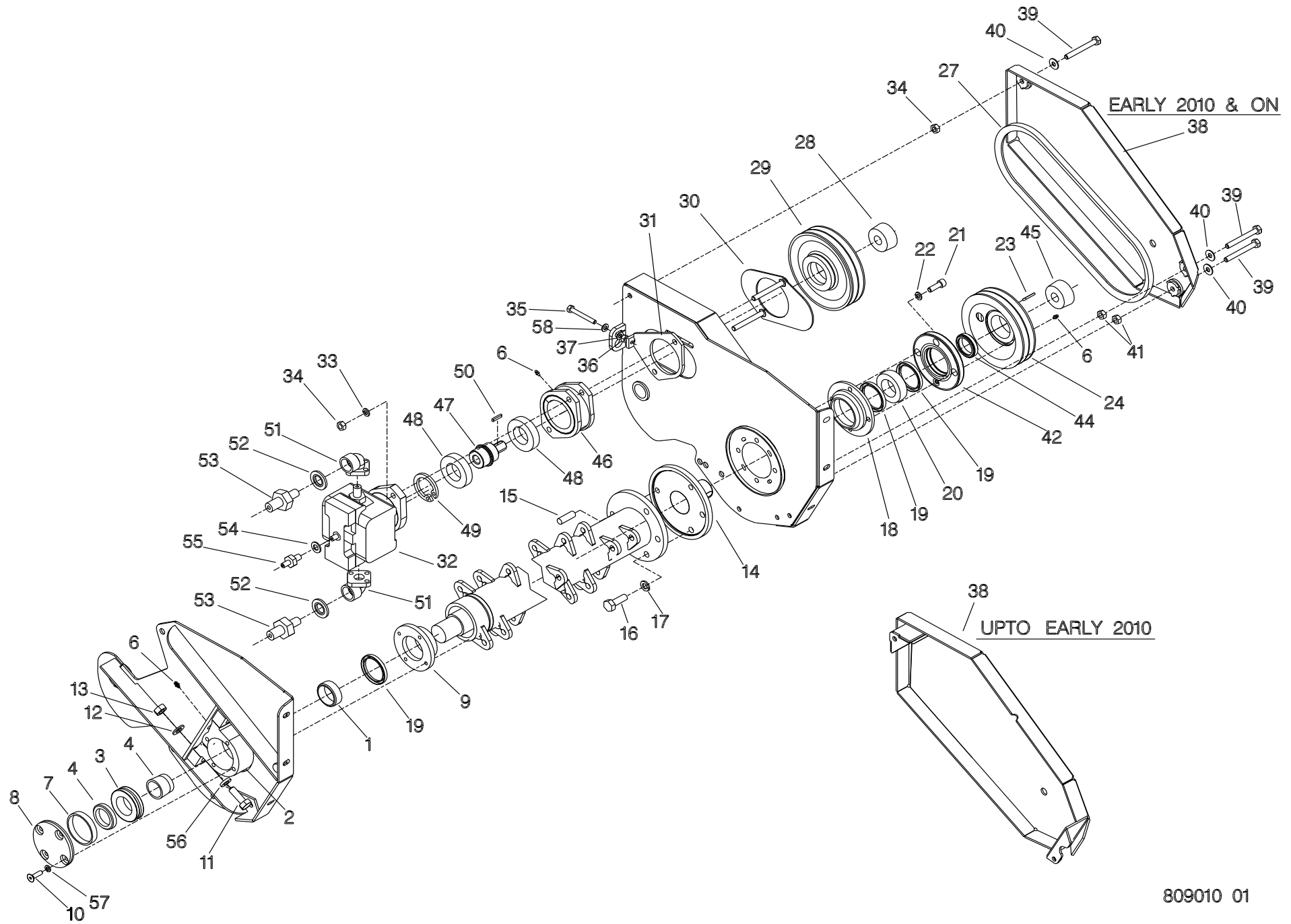




809010 01

## Shelbourne Reynolds Engineering Limited

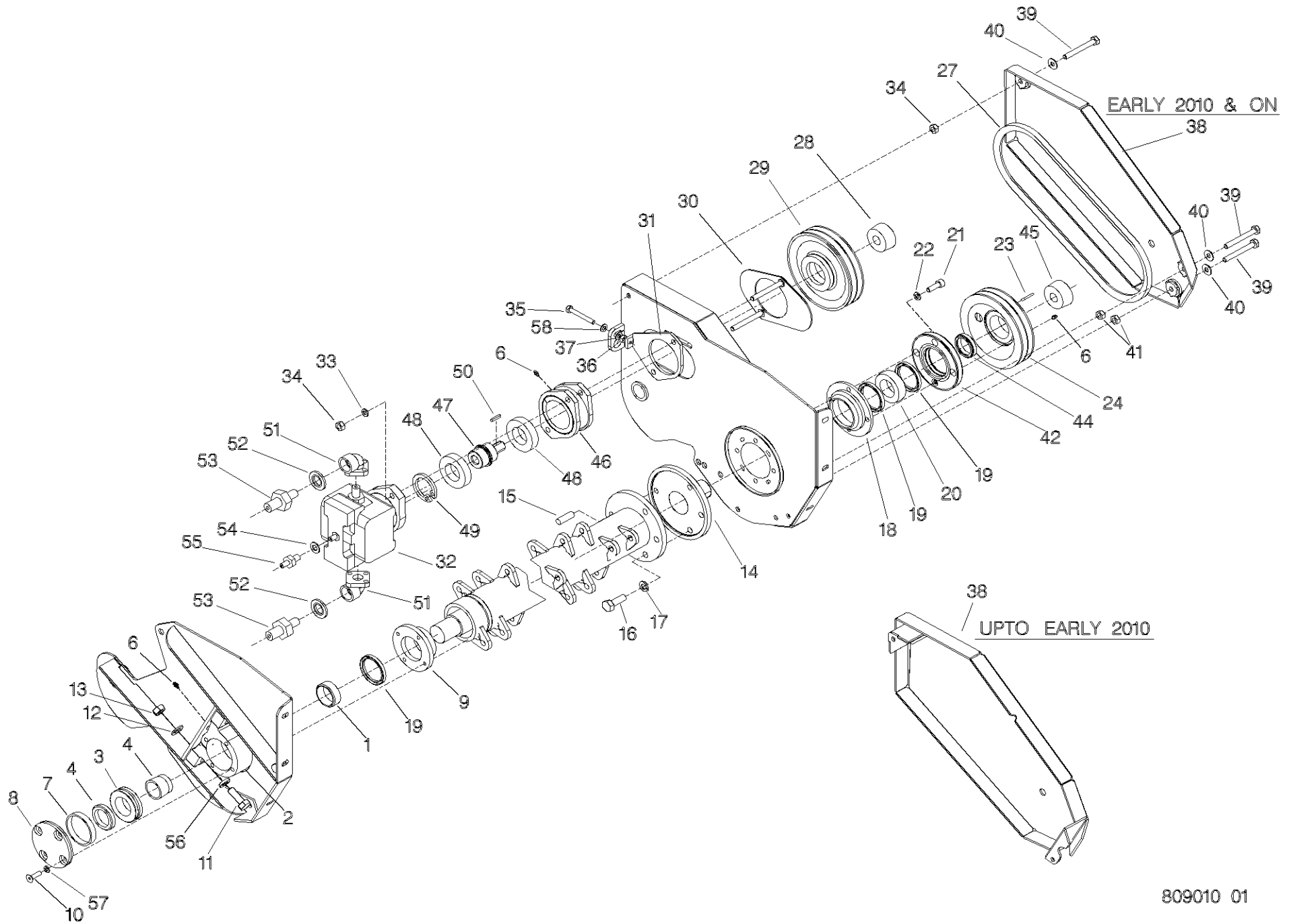
ASSY NUMBER: 809010 01BG				ASSY DESCRIPTION: FLAIL MTG.& DRIVE SUB ASSY (UPTO PBXXX170760)			
ITEM	PART NO	DESCRIPTION	QTY	ITEM	PART NO	DESCRIPTION	QTY
1	800019 01	SLEEVE	1	35	HSSA10500	SET SCREW	1
2	800873 01B	BEARING HOUSING	1	36	NUT-0167	PLAIN NUT	1
3	BRG-14580	BEARING	1	37	WSH-0015	PLAIN WASHER	1
4	BRG-94521	BEARING SLEEVE	1	38	801553 01G	DRIVE COVER	1
5				OR	801553 02G	DRIVE COVER RH HEAD DRIVE	1
6	NIP-00600	GREASE NIPPLE	3	39	HSSA12500	SETSCREW	3
7	800067 01	SPACER	1	40	WSHA30121	WASHER	3
8	802219 01B	COVER(2012 & ON)	1	41			
OR	800874 01	COVER (UPTO 2012)	1	42	801064 02	BEARING RETAINER	1
9	800017 01	SLEEVE	1	43			
10	BLTA10440	HEX.HEAD BOLT	4	44	801066 01	PULLEY SPACER	1
OR	SCEA10473	CSK.SCREW (UPTO 2012)	1	45	BSHZ05056	TAPER LOCK BUSH	1
11	BLTA16474	BOLT	2	46	801116 01	OUTRIGGER HOUSING WA	1
12	WSHA30161	WASHER	3	47	801104 01	OUTRIGGER SHAFT	1
13	NUTA15162	STOVER NUT	2	48	BRG-15050	SUPPORT	2
14	801067 01	DRIVE FLANGE	1	49	CIR010090	CIRCLIP INT	1
15	193079 01	DOWEL PIN	1	50	KEYB20000	KEY	1
16	HSSA16200	SETSCREW	3	51	FITF00005	FLANGE ELBOW CONNECTOR	2
17				52	WSH-1025	DOWTY WASHER (1")	2
18	800700 02	BEARING HOUSING	1	53	FIT-0546	ADAPTOR	2
19	SEAA06500	SHAFT SEAL	3	54	WSH-1010	DOWTY WASHER	1
20	BRG-15080	BEARING	1	55	HMA-0065	ADAPTOR	1
21	SCW-0245	SOC CAP HD SCREW	4	56	190119 85	WASHER	2
22	WSH-0065	SPRING WASHER	3	57	WSH-0061	SPRING WASHER	4
23	K1409032	KEY	1	58	190119 11	WASHER	1
24	803097 01	DRIVE PULLEY PB7XX140345 & ON	1				
OR	801065 01	DRIVE PULLEY UPTO PB7XX140345	1				
25							
26							
27	BEL-10140	V-BELT	2				
28	BSHZ14032	TAPERLOCK BUSH	1				
29	800027 02	MOTOR PULLEY	1				
30	800023 02	RETAINING RING	1				
OR	800023 06	RETAINING RING RH HEAD DRIVE	1				
31	800028 01B	MOTOR MTG.PLATE	1				
32	MOTH03900	HYD MOTOR	1				
32A	HMS03900	MOTOR SEAL KIT					
33	WSH-0018	PLAIN WASHER	2				
34	NUT-0269	NYLOC NUT	5				



809010 01

# Shelbourne Reynolds Engineering Limited

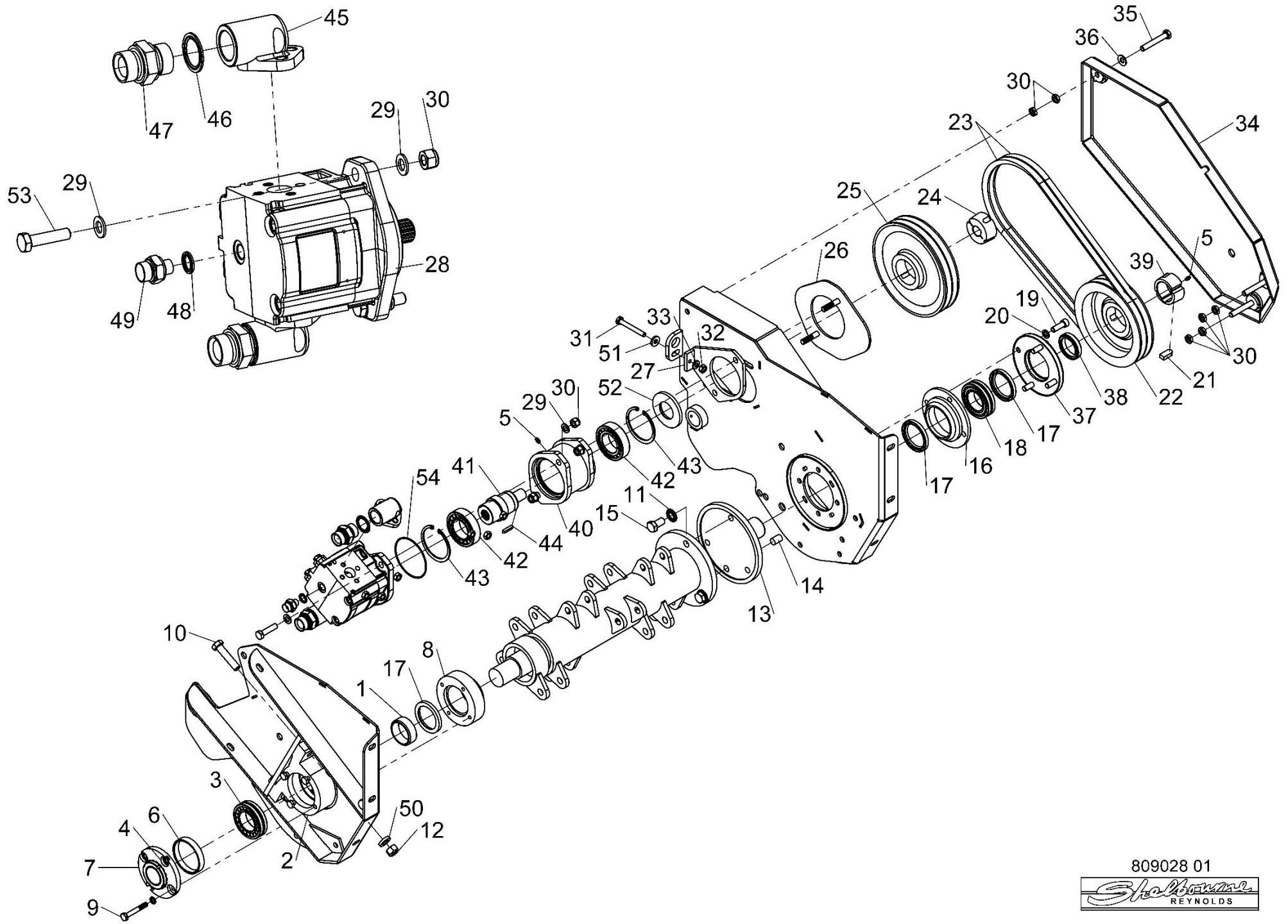
ASSY NUMBER: 809010 01R				ASSY DESCRIPTION: FLAIL MOUNTING & DRIVE SUB (RH HEAD DRIVE) (UPTO PBXXX170760)			
ITEM	PART NO	DESCRIPTION	QTY	ITEM	PART NO	DESCRIPTION	QTY
1	800019 01	SLEEVE	1	36	NUT-0167	PLAIN NUT	1
2	800873 01	BEARING HOUSING	1	37	WSH-0015	PLAIN WASHER	1
3	BRG-14580	BEARING	1	38	801553 02	DRIVE COVER	1
4	BRG-94521	BEARING SLEEVE	1	39	HSSA12500	SETSCREW	3
5				40	WSHA30121	WASHER	5
6	NIP-00600	GREASE NIPPLE	3	41			
7	800067 01	SPACER	1	42	801064 02	BEARING RETAINER	1
8	802219 01	BEARING COVER (2012 & ON)	1	43			
OR	800874 01	COVER (UPTO 2012)		44	801066 01	PULLEY SPACER	1
9	800017 01	SLEEVE	1	45	BSHZ05056	TAPER LOCK BUSH	1
10	BLTA10440	BOLT	4	46	801116 01	OUTRIGGER HOUSING WA	1
OR	SCEA10473	CSK. SCREW		47	801104 01	OUTRIGGER SHAFT	1
11	BLTA16474	BOLT	2	48	BRG-15050	SUPPORT	2
12	WSH-0024	PLAIN WASHER	2	49	CIR010090	CIRCLIP INT	1
13	NUT-0271	NYLOC NUT	2	50	KEYB20000	KEY	1
14	801067 01	DRIVE FLANGE	1	51	FITF00005	FLANGE ELBOW CONNECTOR	2
15	193079 01	DOWEL PIN	1	52	WSH-1025	DOWTY WASHER	2
16	HSSA16200	SETSCREW	3	53	FIT-0546	ADAPTOR	2
17	WSHA30161	WASHER	3	54	WSH-1010	DOWTY WASHER	1
18	800700 02	BEARING HOUSING	1	55	HMA-0065	ADAPTOR	1
19	SEAA06500	SHAFT SEAL	3	56	190119 85	WASHER	2
20	BRG-15080	BEARING	1	57	WSH-0061	WASHER	4
21	SCW-0245	SOC. CAP HD SCREW	4	58	190119 11	WASHER	2
22	WSH-0065	WASHER	3				
23	K1409032	KEY	1				
24	803097 01	DRIVE PULLEY PB7XX140345 & ON	1				
OR	801065 01	DRIVE PULLEY UPTO PB7XX140345					
25							
26							
27	BEL-10140	V-BELT	2				
28	BSHZ14032	TAPERLOCK BUSH	1				
29	800027 02	PULLEY-MOTOR-HI.POWER	1				
30	800023 06	FIXING BOLT ASSY RH	1				
31	800028 04	MOTOR MTG PLATE RH	1				
32	MOTH03900	HYD MOTOR	1				
32A	HMS-03900	MOTOR SEAL KIT					
33	WSH-0018	WASHER	2				
34	NUT-0269	NYLOC NUT	5				
35	HSSA10500	HEX.HEAD SET SCREW	1				



809010 01

# Shelbourne Reynolds Engineering Limited

ASSY NUMBER: 809028 01				ASSY DESCRIPTION: FLAIL MTG&DRIVE SUB ASSY(PBXXX170760 & ON)			
ITEM	PART NO	DESCRIPTION	QTY	ITEM	PART NO	DESCRIPTION	QTY
1	800019 01	SLEEVE	1	OR	801553 02	DRIVE COVER RH HEAD DRIVE	1
2	800873 01	BEARING HOUSING	1	35	HSSA12500	SETSCREW	3
3	BRG-14580	BEARING	1	36	WSHA30121	WASHER	3
4	BRG-94521	BEARING SLEEVE	1	37	801064 02	BEARING RETAINER	1
5	NIP-00600	GREASE NIPPLE	3	38	801066 01	PULLEY SPACER	1
6	800067 01	SPACER	1	39	BSHZ05056	TAPER LOCK BUSH	1
7	802219 01	COVER	1	40	804790 01	OUTRIGGER HOUSING W/A	1
8	800017 01	SLEEVE (1.2Mt)	1	41	804793 01	OUTRIGGER SHAFT	1
OR	804742 01	SLEEVE (1.5Mt)	1	42	BRG-15082	CYLINDRICAL ROLLER BEARING	2
9	BLTA10440	HEX.HEAD BOLT	4	43	CIR010090	CIRCLIP INT	2
10	BLTA16474	BOLT	2	44	KEYB20000	KEY	1
11	WSHA30161	WASHER	3	45	FITF00005	FLANGE ELBOW CONNECTOR	2
12	NUTA15162	STOVER NUT	2	46	WSH-1025	DOWTY WASHER (1")	2
13	801067 01	DRIVE FLANGE	1	47	FIT-0546	ADAPTOR	2
14	193079 01	DOWEL PIN	1	48	WSH-1010	DOWTY WASHER	1
15	HSSA16200	SETSCREW	3	49	HMA-0065	ADAPTOR	1
16	800700 02	BEARING HOUSING	1	50	190119 85	WASHER	2
17	SEAA06500	SHAFT SEAL	3	51	190119 11	WASHER	1
18	BRG-15080	BEARING	1	52	SEAA05090	RADIAL SHAFT SEAL	1
19	SCW-0245	SOC CAP HD SCREW	4	53	HSS-0260	BOLT	2
20	WSH-0065	SPRING WASHER	3	54	ORA161000	O RING	1
21	K1409032	KEY	1				
22	803097 01	DRIVE PULLEY	1				
23	BEL-10140	V-BELT	2				
24	BSHZ14032	TAPERLOCK BUSH	1				
25	-	NOW SEE DRIVE KIT	-		809010 01HYD	HYDRAULICS KIT	
OR	800027 02	MOTOR PULLEY UPTO PBXXX180900	1		809028 01	1.2m LH HEAD DRIVE	
26	803572 01	RETAINING RING LH HEAD DRIVE	1			FLAIL MTG.& DRIVE SUB ASSY	
OR	803572 02	RETAINING RING RH HEAD DRIVE	1		809028 01A	1.5m LH HEAD DRIVE	
27	800028 01	MOTOR MTG.PLATE LH HEAD DRIVE	1			FLAIL MTG.& DRIVE SUB ASSY	
OR	800028 04	MOTOT MTG PLATE RH HEAD DRIVE	1		809028 01R	1.2m RH HEAD DRIVE	
28	-	NOW SEE DRIVE KIT	-			FLAIL MTG.& DRIVE SUB ASSY	
OR	MOTH03900	HYD MOTOR UPTO PBXXX180900	1		809028 01AR	1.5m RH HEAD DRIVE	
28A	HMS03900	MOTOR SEAL KIT				FLAIL MTG.& DRIVE SUB ASSY	
29	WSH-0018	PLAIN WASHER	6				
30	NUT-0269	NYLOC NUT	7				
31	HSSA10500	SET SCREW	1				
32	NUT-0167	PLAIN NUT	1				
33	WSH-0015	PLAIN WASHER	1				
34	801553 01	DRIVE COVER LH HEAD DRIVE	1				



809028 01

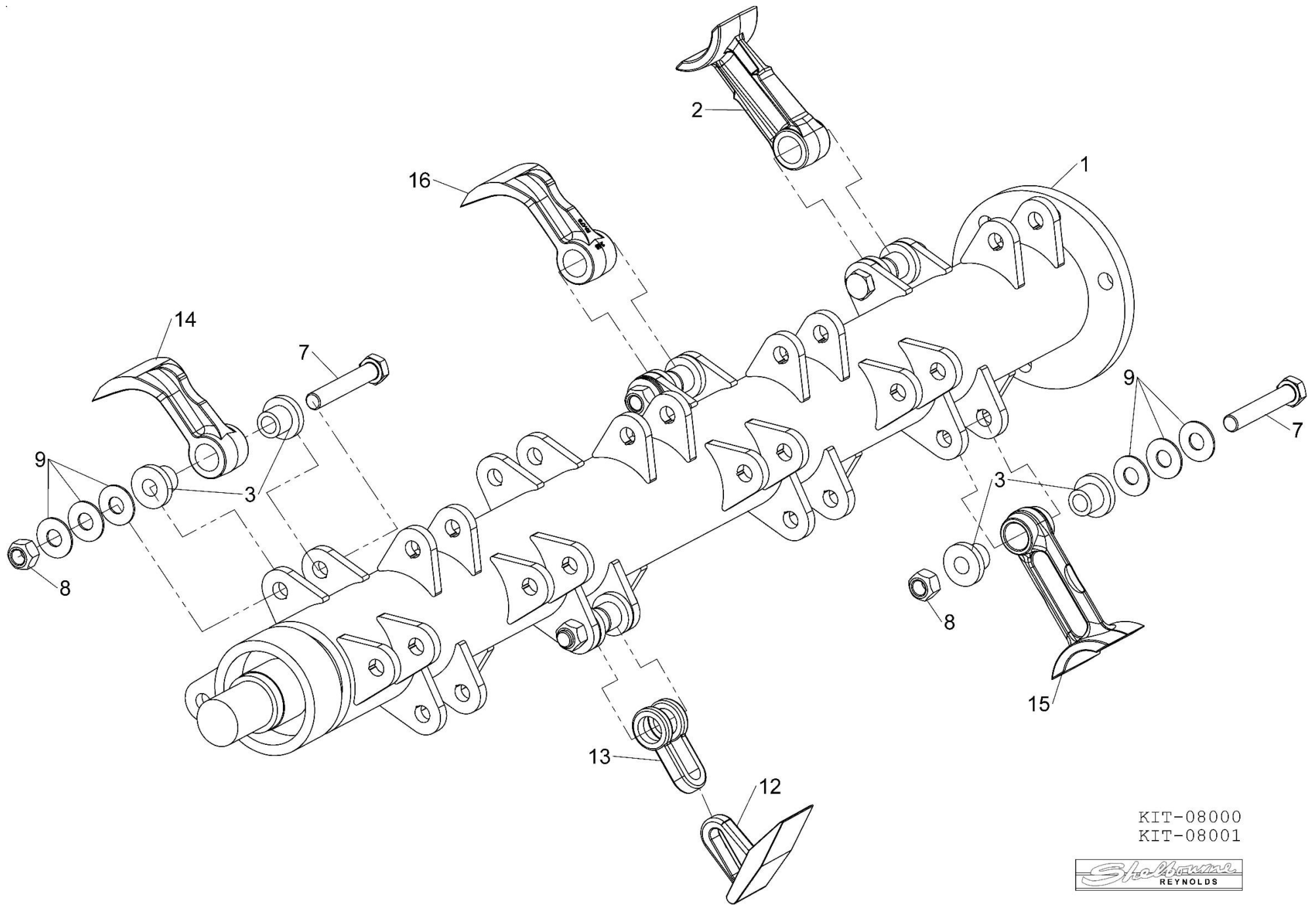




## Shelbourne Reynolds Engineering Limited

ASSY NUMBER:		KIT-08000		ASSY DESCRIPTION:		FLAIL ASSY (1.2M) ALL FLAIL TYPES	
ITEM	PART NO	DESCRIPTION	QTY	ITEM	PART NO	DESCRIPTION	QTY
1	801470 01	ROTOR ASSY (1.2M)	1				
OR	800014 08	ROTOR ASSY (1.2M)	1			FOR COMPLETE FLAIL	
		(109456 & ON)				ASSEMBLY ORDER PART NO'S.:	
OR	800014 01	ROTOR ASSY (1.2M)	1			KIT-08000A -T FLAILS (CAST)	
		(UP TO 109456)				UP TO 2018	
2	FLL-05000	T FLAIL (CAST) (KIT-08000A ONLY)	24				
3	805046 01	SPACER	48				
4						KIT-08000B - BOOT FLAILS	
5							
6						KIT-08000C-COMPETITION	
7	BLTD16554	BOLT	24			- FLAIL	
OR	BLTD16574	BOLT	AR				
OR	BLTD16604	BOLT	AR			KIT-08000D - T FLAIL (DROP	
OR	BLTD16654	BOLT	AR			FORGED) 2018 & ON	
8	NUTF15162	STOVER NUT (2006&ON)	24				
OR	NUTF02162	NYLOC NUT (UPTO 2006)	24				
9	800274 01	BALANCE WEIGHT (20G)	AR			KIT-08000E - COMPETITION	
OR	800274 02	BALANCE WEIGHT (30G)	AR			FLAIL (DROP FORGED)	
OR	800274 03	BALANCE WEIGHT (50G)	AR				
10							
11						** <u>IMPORTANT</u> **	
12	FLL-10000	BOOT FLAIL (KIT-08000B ONLY)	24			ENSURE BALANCE WEIGHTS ARE	
13	FLL-15000	SHACKLE (KIT-08000B ONLY)	24			NOT MOVED WHEN REPLACING	
14	FLL-20000	COMP FLAIL (KIT-08000C ONLY)	24			FLAILS.	
15	FLL-05005S	T FLAIL (DROP FORGED) (KIT-08000D)	24			EXACT POSITIONING IS	
16	FLL-20005S	COMP FLAIL (DROP FORGED)	24			CRITICAL TO SMOOTH RUNNING	



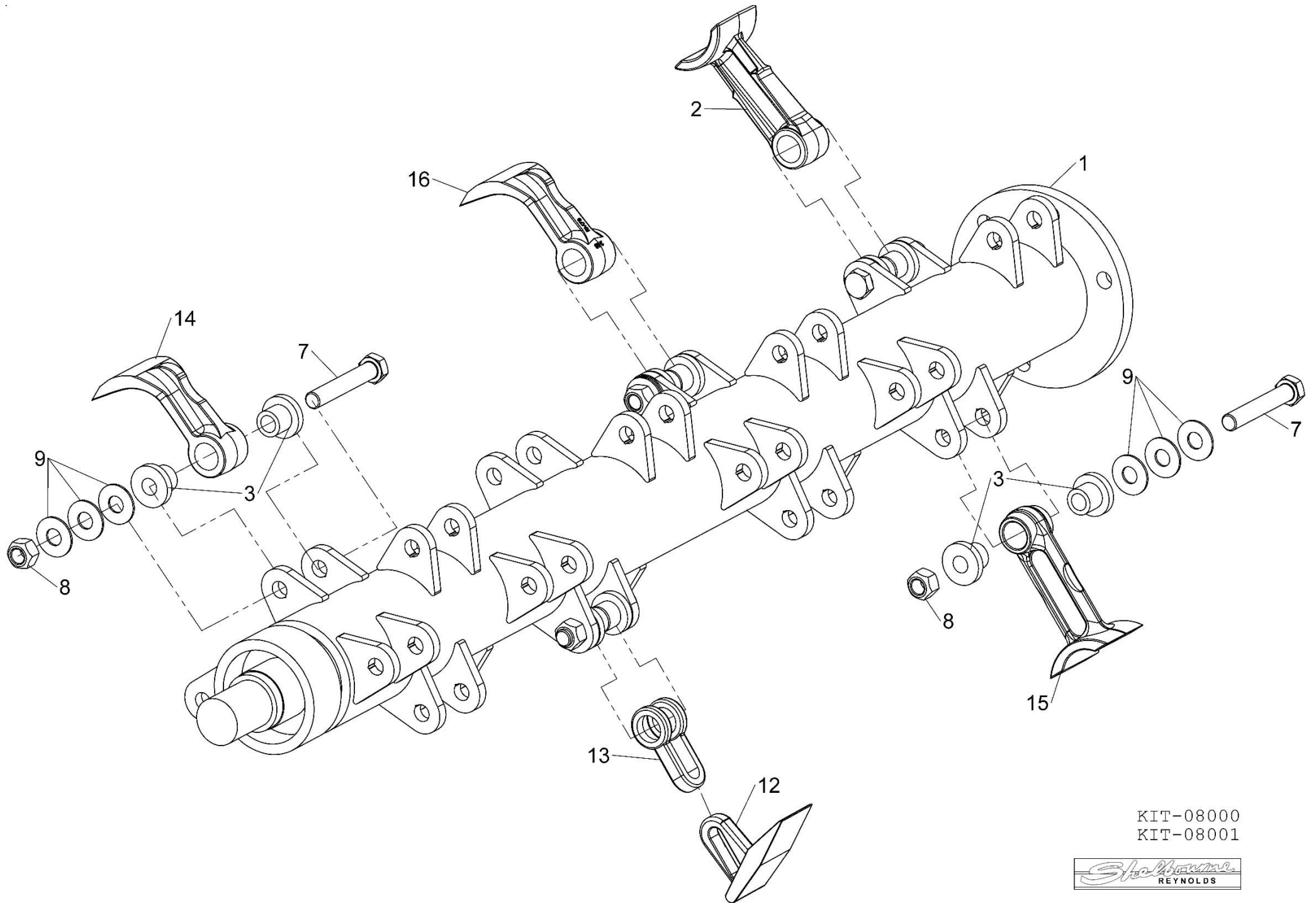


KIT-08000  
KIT-08001



## Shelbourne Reynolds Engineering Limited

ASSY NUMBER:		KIT-08001						ASSY DESCRIPTION:		FLAIL ASSY (1.5M) ALL FLAIL TYPES					
ITEM	PART NO	DESCRIPTION	QTY	ITEM	PART NO	DESCRIPTION	QTY								
1	802049 01	ROTOR ASSY (1.5M) (EARLY 2013 & ON)	1					FOR COMPLETE FLAIL ASSEMBLY ORDER PART NO'S.:  KIT-08001A-T FLAILS (CAST) UP TO 2018  KIT-08001B-BOOT FLAILS  KIT-08001C-COMPETITION FLAIL  KIT-08001D T FLAIL (DROP FORGED) 2018 & ON  KIT-08001E - COMPETITION FLAIL (DROP FORGED)  ** <u>IMPORTANT</u> **  ENSURE BALANCE WEIGHTS ARE NOT MOVED WHEN REPLACING FLAILS. EXACT POSITIONING IS CRITICAL TO SMOOTH RUNNING							
OR	801471 01	ROTOR ASSY (1.5M) (UP TO EARLY 2013)	1												
OR	800015 08	ROTOR ASSY (1.5M) (109456 & ON)	1												
OR	800015 01	ROTOR ASSY (1.5M) (UP TO 109456)	1												
2	FLL-05000	T FLAIL (CAST) (KIT-08001A ONLY)	30												
3	805046 01	SPACER	60												
4															
5															
6															
7	BLTD16554	BOLT	30												
OR	BLTD16574	BOLT	AR												
OR	BLTD16604	BOLT	AR												
OR	BLTD16654	BOLT	AR												
8	NUTF15162	STOVER NUT (2006&ON)	30												
OR	NUTF02162	NYLOC NUT (UPTO 2006)	30												
9	800274 01	BALANCE WEIGHT (20G)	AR												
OR	800274 02	BALANCE WEIGHT (30G)	AR												
OR	800274 03	BALANCE WEIGHT (50G)	AR												
10															
11															
12	FLL-10000	BOOT FLAIL (KIT-08001B ONLY)	30												
13	FLL-15000	SHACKLE (KIT-08001B ONLY)	30												
14	FLL-20000	COMP FLAIL (KIT-08001C ONLY)	30												
15	FLL-05005S	T FLAIL (DROP FORGED) (KIT-08000D)	30												
16	FLL-20005S	COMP FLAIL (DROP FORGED)	30												

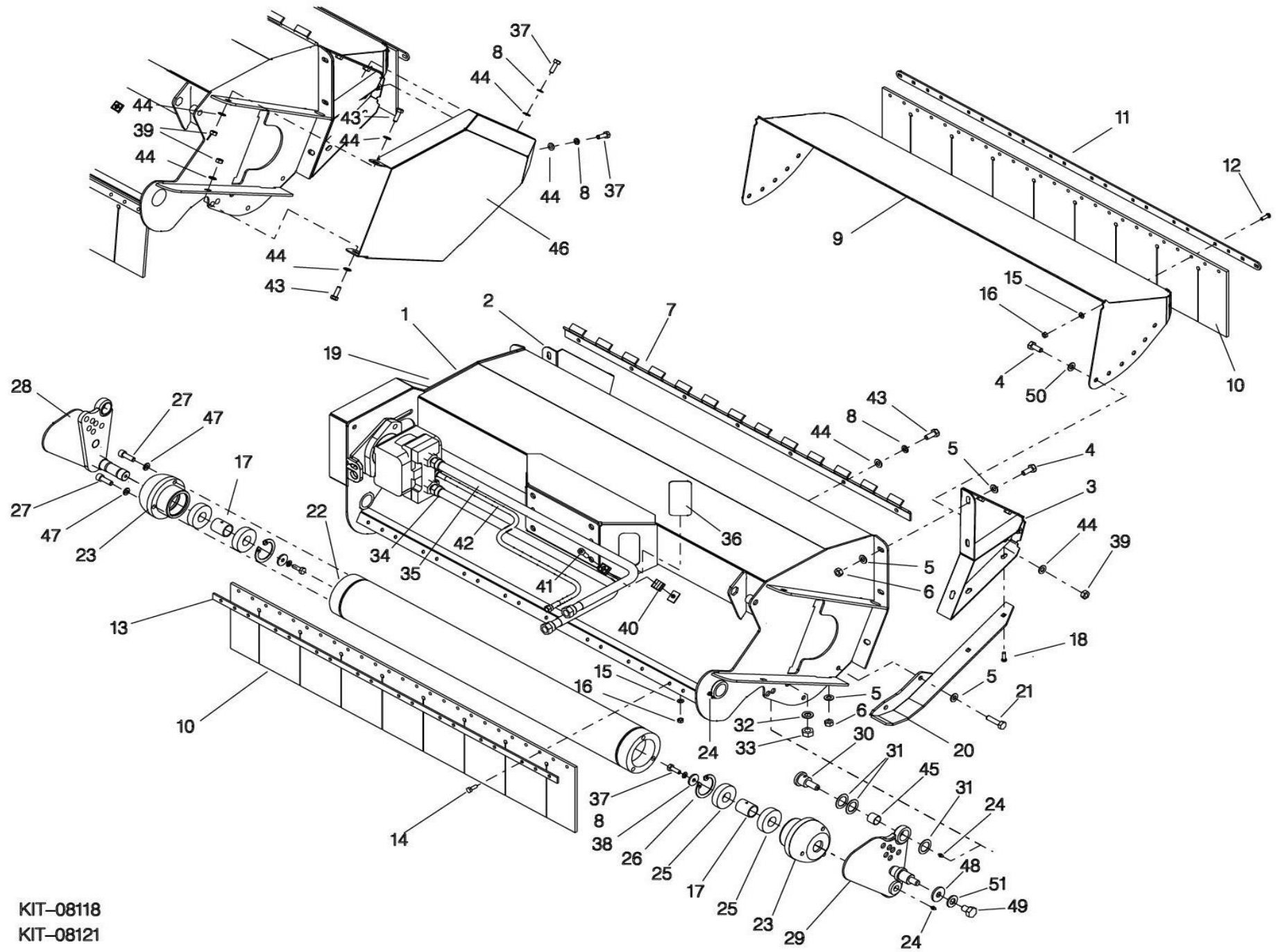


KIT-08000  
KIT-08001



# Shelbourne Reynolds Engineering Limited

ASSY NUMBER: KIT-08118				ASSY DESCRIPTION: HEAD SHELL, NOSE AND ROLLER 1.2m			
ITEM	PART NO	DESCRIPTION	QTY	ITEM	PART NO	DESCRIPTION	QTY
1	801670 01	HEAD SHELL (1.2M)LH DRIVE	1	35	HHDI05505	HOSE (LH DRIVE HEAD)	1
OR	801670 29	HEAD SHELL (1.2M)RH DRIVE	1	OR	HHDI05905	HOSE (RH DRIVE HEAD)	
2	800815 01	NOSE SIDE PANEL (LH DRIVE)	1	OR	HHDH05505	HOSE (MD ONLY)	1
OR	800815 02	NOSE SIDE PANEL (RH DRIVE)	1	36	CAP-0060	PLASTIC CAP	2
3	801212 01	NOSE SIDE PANEL (LH DRIVE)	1	37	HSS-0188	SETSCREW	5
OR	801212 06	NOSE SIDE PANEL (RH DRIVE)	1	38	190548 01	WASHER	2
4	HSS-0235	SETSCREW	8	39	NUT-0265	NYLOC NUT	6
5	WSH-0018	PLAIN WASHER	24	40	HCPD01400	HYD.PIPE CLAMP	1
6	NUT-0269	NYLOC NUT	10	41	SCW-0136	CAP HEAD SCREW	1
7	800812 01	HINGE PLATE (1.2M)	1	42	HHAF17605	HOSE (HD ONLY)	1
8	WSH-0061	SPRING WASHER	12	43	HSS-0194	SETSCREW	9
9	800820 01	NOSE (1.2m)	1	44	WSH-0015	WASHER	18
10	800068 01	CURTAIN (1.2M)	2	45	BSH-3070	BUSH	2
11	800825 01	FIXING STRIP (1.2M)	1	46	801213 01	HEAD SKID COVER (LH DRIVE)	1
12	BLT-2700	COACHBOLT	20	OR	801213 02	HEAD SKID COVER (RH DRIVE)	1
13	800069 01	FIXING STRIP (1.2M)	1	47	WSH-0065	SPRING WASHER	6
14	HSS-0150	SETSCREW	18	48	190119 07	WASHER	2
15	WSH-0012	PLAIN WASHER	38	49	HSS-0312	SETSCREW	2
16	NUT-0263	NYLOC NUT	38	50	190119 89	WASHER	2
17	801950 01	SPACER TUBE	2	51	WSHA30161	WASHER	2
18	BLT-3745	COACHBOLT	4				
19	800881 01	SKID W/A LH	1				
20	800881 02	SKID W/A RH	1				
21	HSS-0250	SETSCREW	4				
22	801971 01	ROLLER (1.2M)	1				
23	801944 01	END CAP	2				
24	NIP-00600	GREASE NIPPLE	6				
25	BRG-13005	BEARING	4				
26	CIR-0720	CIRCLIP	2				
27	SCW-0243	CAP HEAD SCREW	6				
28	801968 02	BRACKET ADJUSTABLE LH	1				
29	801968 01	BRACKET ADJUSTABLE RH	1				
30	801939 01	STUB PIVOT	2				
31	190548 96	WASHER	6				
32	WSHA30201	WASHER	2				
33	NUTA15202	STOVER NUT	2				
34	HHAI05305	HOSE (LH DRIVE HEAD)	1				
OR	HHAI05005	HOSE (RH DRIVE HEAD)					
OR	HHAH05305	HOSE (MD ONLY)	1				

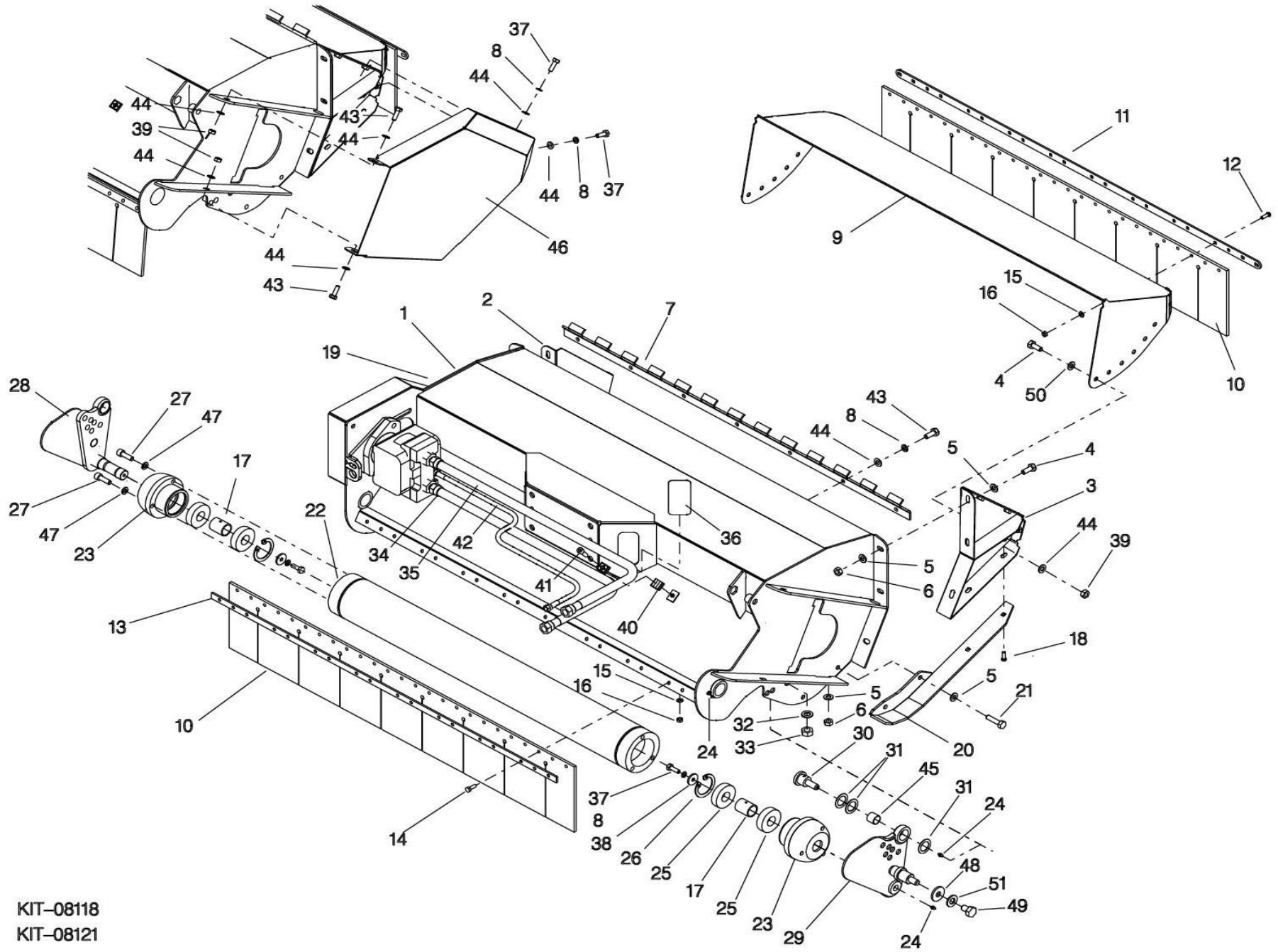


KIT-08118  
KIT-08121



# Shelbourne Reynolds Engineering Limited

ASSY NUMBER: KIT-08121				ASSY DESCRIPTION: HEAD SHELL, NOSE AND ROLLER 1.5m			
ITEM	PART NO	DESCRIPTION	QTY	ITEM	PART NO	DESCRIPTION	QTY
1	801670 02	HEAD SHELL (1.5M) LH DRIVE	1	35	HHDI07505	HOSE (LH DRIVE HEAD)	1
OR	801670 30	HEAD SHELL (1.5M) RH DRIVE	1	OR	HHAI07905	HOSE (RH DRIVE HEAD)	
2	800815 01	NOSE SIDE PANEL (LH DRIVE)	1	OR	HHDH07505	HOSE (MD ONLY)	1
OR	800815 02	NOSE SIDE PANEL (RH DRIVE)	1	36	CAP-0060	PLASTIC CAP	2
3	801212 01	NOSE SIDE PANEL (LH DRIVE)	1	37	HSS-0188	SETSCREW	5
OR	801212 06	NOSE SIDE PANEL (RH DRIVE)	1	38	190548 01	WASHER	2
4	HSS-0235	SETSCREW	8	39	NUT-0265	NYLOC NUT	6
5	WSH-0018	PLAIN WASHER	24	40	HCPD01400	HYD. PIPE CLAMP	1
6	NUT-0269	NYLOC NUT	10	41	SCW-0136	CAP HEAD SCREW	1
7	800812 02	HINGE PLATE (1.5M)	1	42	HHAF17605	HOSE (HD ONLY)	1
8	WSH-0061	SPRING WASHER	12	43	HSS-0194	SETSCREW	9
9	800820 02	NOSE (1.5m)	1	44	WSH-0015	WASHER	18
10	800068 02	CURTAIN (1.5M)	2	45	BSH-3070	BUSH	2
11	800825 02	FIXING STRIP (1.5M)	1	46	801213 01	HEAD SKID COVER (LH DRIVE)	1
12	BLT-2700	COACHBOLT	20	OR	801213 02	HEAD SKID COVER (RH DRIVE)	1
13	800069 01	FIXING STRIP (1.2M)	1	47	WSH-0065	SPRING WASHER	6
14	HSS-0150	SETSCREW	18	48	190119 07	WASHER	2
15	WSH-0012	PLAIN WASHER	38	49	HSS-0312	SETSCREW	2
16	NUT-0263	NYLOC NUT	38	50	190119 89	WASHER	2
17	801950 01	SPACER TUBE	2				2
18	BLT-3745	COACHBOLT	4				
19	800881 01	SKID W/A LH	1				
20	800881 02	SKID W/A RH	1				
21	HSS-0250	SETSCREW	4				
22	801976 01	ROLLER (1.5M)	1				
23	801944 01	END CAP	2				
24	NIP-00600	GREASE NIPPLE	6				
25	BRG-13005	BEARING	4				
26	CIR-0720	CIRCLIP	2				
27	SCW-0243	CAP HEAD SCREW	6				
28	801968 02	BRACKET ADJUSTABLE LH	1				
29	801968 01	BRACKET ADJUSTABLE RH	1				
30	801939 01	STUB PIVOT	2				
31	190548 96	WASHER	6				
32	WSHA30201	WASHER	2				
33	NUTA15202	STOVER NUT	2				
34	HHAI06605	HOSE (LH DRIVE HEAD)	1				
OR	HHAI06005	HOSE (RH DRIVE HEAD)					
OR	HHAH06605	HOSE (MD ONLY)	1				

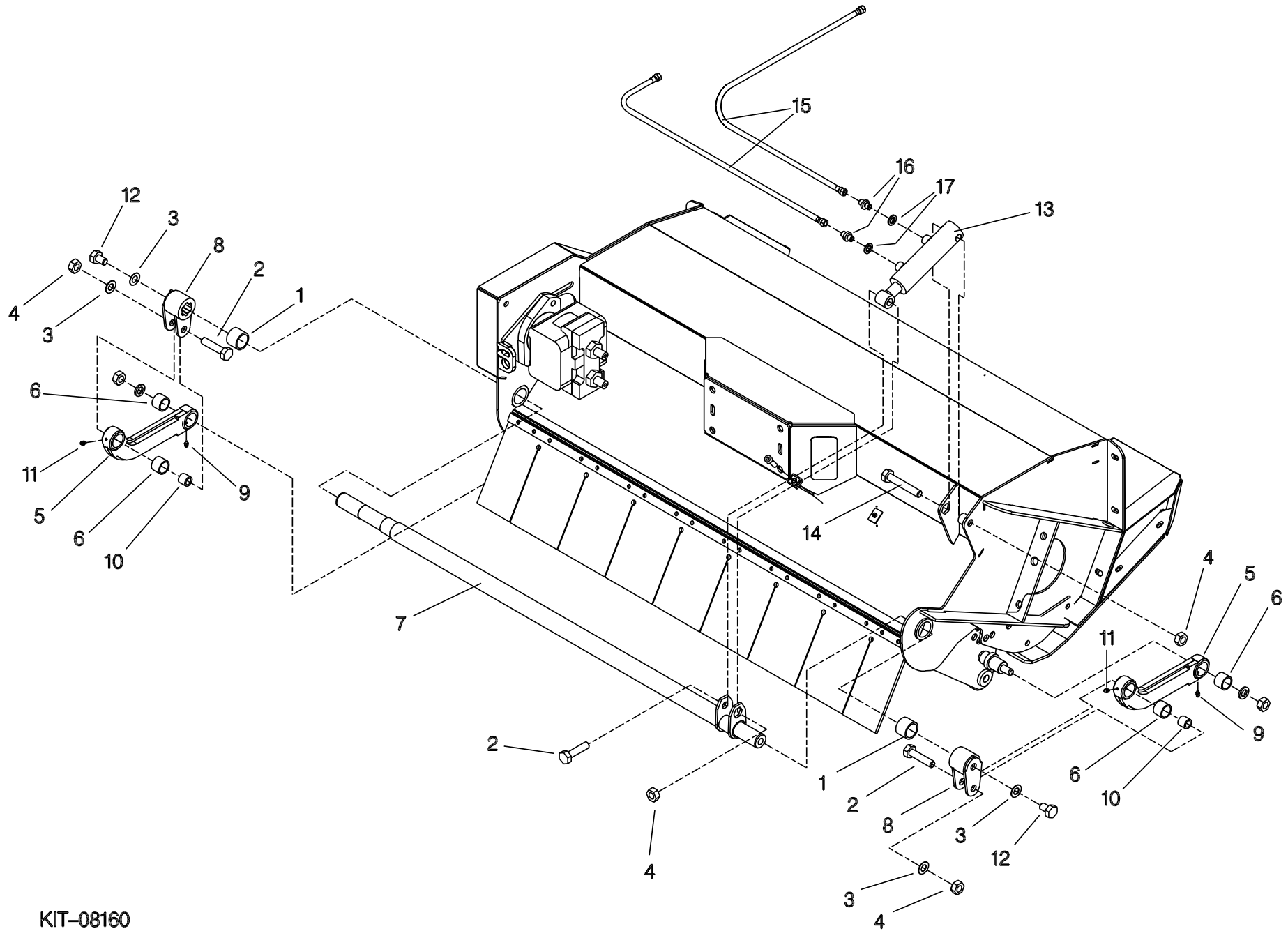


KIT-08118  
KIT-08121

## Shelbourne Reynolds Engineering Limited

ASSY NUMBER:		KIT-08160		ASSY DESCRIPTION:		ADJUSTABLE ROLLER	
ITEM	PART NO	DESCRIPTION	QTY	ITEM	PART NO	DESCRIPTION	QTY
1	801973 01	BUSH	2				
2	800458 02	BOLT	3				
3	WSHA30161	WASHER	4				
4	NUTA15162	STOVERNUT	4				
5	801935 01	LINK ARM	2				
6	BSH-3030	BUSH	4				
7	801972 01	SHAFT (1.2m LH DRIVE HEAD)	1		KIT-08160A		
OR	801926 01	SHAFT (1.2m RH DRIVE HEAD)	1		KIT-08160B		
OR	801972 02	SHAFT (1.5m LH DRIVE HEAD)	1		KIT-08160C		
OR	801926 02	SHAFT (1.5m RH DRIVE HEAD)	1		KIT-08160D		
8	801930 01	ARM	2				
9	NIP-00600	GREASE NIPPLE	2				
10	801940 01	WEAR BUSH	2				
11	NIP-00610	GREASE NIPPLE	2				
12	HSS-0312	SETSCREW	2				
13	800875 01	CYLINDER	1				
13A	RMSK00360	SEAL KIT (SPARES) CHANGED 2008 RAM S/N 129676 & ON	-				
OR	RMSK00230	SEAL KIT (SPARES) CHANGED 2008 UPTO RAM S/N 129676	-				
14	BLT-2320	BOLT	1				
15	HHAC20005	HOSE 1.2m LH DRIVE HEAD	2				
OR	HHAC21505	HOSE 1.5m LH & RH DRIVE 1.2Mt HEAD	2				
OR	HHAC23005	HOSE RH DRIVE 1.5m HEAD	2				
16	HMA-0052	ADAPTOR	2				
17	WSH-1005	BONDED SEAL	2				

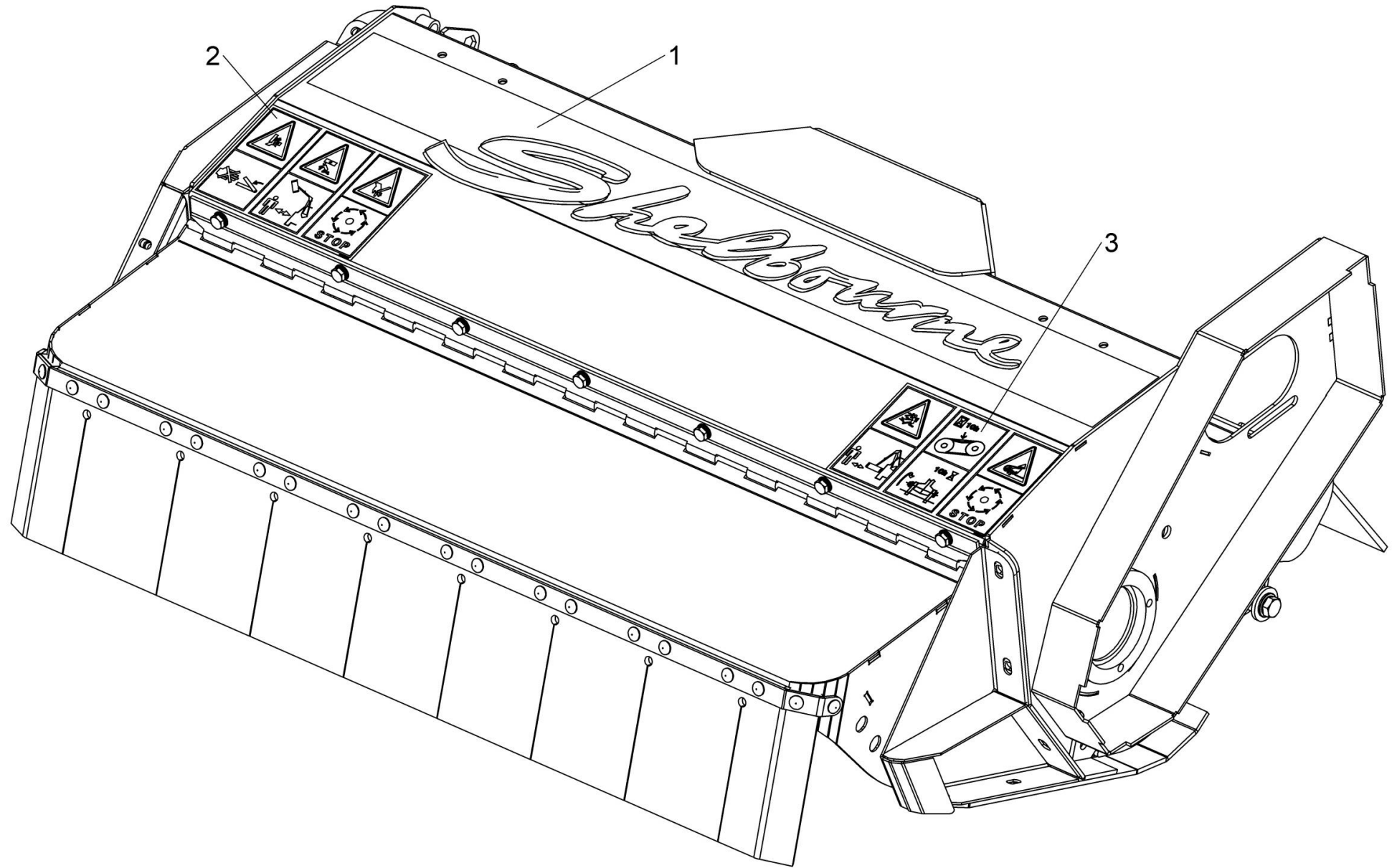




KIT-08160

## Shelbourne Reynolds Engineering Limited

ASSY NUMBER: KIT-08165				ASSY DESCRIPTION: HEAD TRANSFER KIT			
ITEM	PART NO	DESCRIPTION	QTY	ITEM	PART NO	DESCRIPTION	QTY
1	260228 01	TRANSFER - SHELBOURNE (BLUE)	1				
OR	198764 01	TRANSFER - SHELBOURNE (GREY)	-				
2	805600 01	MULTI-TRANSFER 2019 & ON	1				
OR	800215 01	TRANSFER (CRUSH DANG) UPTO 2019	1				
OR	800217 01	TRANSFER (SAFE DIST) UPTO 2019	1				
OR	800222 01	TRANSFER (STOP) UPTO 2019	1				
3	805601 01	MULTI-TRANSFER 2019 & ON	1				
OR	800214 01	TRANSFER (FLY OBJ) UPTO 2019	1				
OR	800213 01	TRANSFER (BELT/BOLTS) UPTO 2019	1				
OR	800218 01	TRANSFER (STOP) UPTO 2019	1				
					KIT-08165 KIT-08165G	HEAD TRANSFER KIT - BLUE HEAD TRANSFER KIT - GREY	



KIT-08165

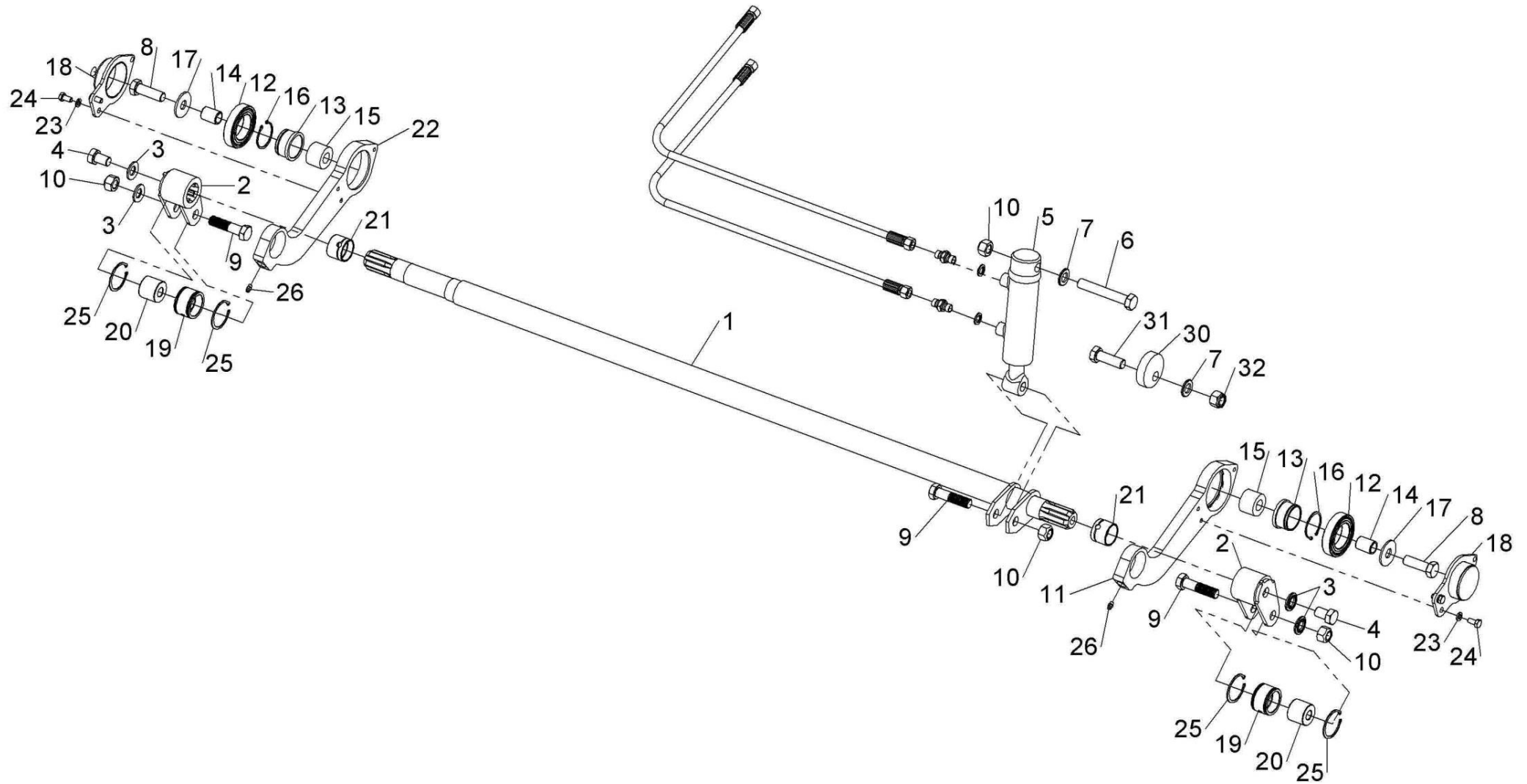


# Shelbourne Reynolds Engineering Limited

ASSY NUMBER: KIT-08176				ASSY DESCRIPTION: HYD ADJUSTABLE ROLLER (BEARING TYPE) 2013 & ON			
ITEM	PART NO	DESCRIPTION	QTY	ITEM	PART NO	DESCRIPTION	QTY
1	802684 01(B)	SHAFT 1.2Mt (LH DRIVE HEAD)	1				
OR	803058 01(B)	SHAFT 1.2Mt (RH DRIVE HEAD)	1		KIT-08176A	FOR 1.2MT LH DRIVE HEAD	
OR	802684 02(B)	SHAFT 1.5Mt (LH DRIVE HEAD)	1		KIT-08176B	FOR 1.2MT RH DRIVE HEAD	
OR	803058 02(B)	SHAFT 1.5Mt (RH DRIVE HEAD)	1		KIT-08176C	FOR 1.5MT LH DRIVE HEAD	
2	801930 01	ARM	2		KIT-08176D	FOR 1.5MT RH DRIVE HEAD	
3	WSHA30161	WASHER	4				
4	HSS-0312	SET SCREW	2				
5	800875 01	CYLINDER	1		KIT-08176AB	FOR 1.2MT LH DRIVE HEAD	
5A	RMSK00360	SEAL KIT	-		KIT-08176BB	FOR 1.2MT RH DRIVE HEAD	
6	BLT-2320	BOLT	1		KIT-08176CB	FOR 1.5MT LH DRIVE HEAD	
7	WSH-0024	WASHER	3		KIT-08176DB	FOR 1.5MT RH DRIVE HEAD	
8	HSS-0930	SET SCREW	2				
9	BLT-2313	BOLT	3				
10	NUTA15162	STOVER NUT	4				
11	802880 01(B)	LINK PLATE RIGHT HAND	1				
12	BRG-14590	DEEP GROOVE BALL BEARING (SING	2				
13	802677 01	BEARING MOUNT	2				
14	802678 01	SPACER	2				
15	805747 01	WEAR BUSH	2				
16	CIR-0450	EXTERNAL CIRCLIP 45mm	2				
17	198800 54	WASHER	2				
18	804614 01	RETAINING W/A	2				
19	802681 01	BUSH	2				
20	802682 01	BUSH	2				
21	802683 01	TORSION BUSH	2				
22	802881 01(B)	LINK PLATE LEFT HAND	1				
23	WSH-0058	SPRING WASHER	6				
24	HSS-0135	SETSCREW	6				
25	CIR020047	CIRCLIP (EXTERNAL) FOR 47mm DI	4				
26	NIP-00600	GREASE NIP(C'BORE TYP)	2				
OR	NIP-0001	GREASE NIP(TUBE TYP)	2				
27							
28							
29							
30	803204 01(B)	CAM PLATE	2				
31	HSS-0318	SET SCREW	2				
32	NUT-0271	NUT	2				

**PART No B FOR BLUE MACHINES**

**REFER TO KIT-08247 & KIT-08248 FOR HYDRAULICS**



KIT-08176

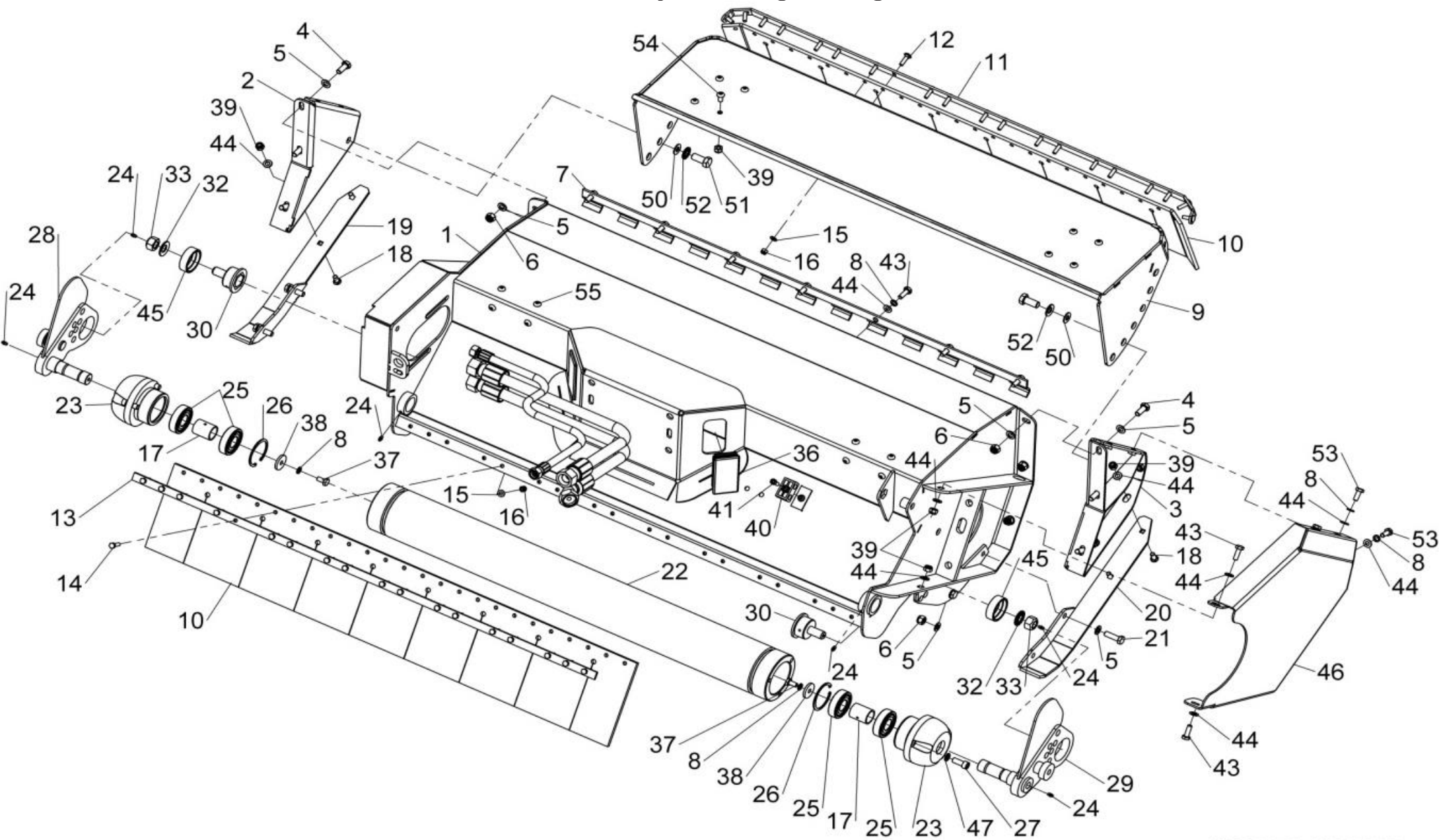


# Shelbourne Reynolds Engineering Limited

ASSY NUMBER: KIT-08177				ASSY DESCRIPTION: HEAD SHELL, NOSE AND ROLLER 1.2m (2013 & ON)			
ITEM	PART NO	DESCRIPTION	QTY	ITEM	PART NO	DESCRIPTION	QTY
1	801670 01	HEAD SHELL (1.2M) LH DRIVE	1	30	802669 01	STUB PIVOT	2
OR	801670 29	HEAD SHELL (1.2M) RH DRIVE	1	31			
2	801689 01	NOSE SIDE PBXXX150404 & ON	1	32	WSHA30201	WASHER	2
OR	800815 01	NOSE SIDE (LH DRIVE) UPTO PBXXX150404	1	33	NUTA15202	STOVER NUT	2
OR	800815 02	NOSE SIDE (RH DRIVE) UPTO PBXXX150404	1	34			
3	801689 02	NOSE SIDE PANEL PBXXX150404 & ON	1	35			
OR	801212 01	NOSE SIDE (LH DRIVE) UPTO PBXXX150404	1	36	CAP-0060	PLASTIC CAP	2
OR	801212 06	NOSE SIDE (RH DRIVE) UPTO PBXXX150404	1	37	HSS-0188	SETSCREW	2
4	HSS-0238	SETSCREW	6	38	190548 01	WASHER	2
5	WSH-0018	PLAIN WASHER	24	39	NUT-0265	NYLOC NUT	16
6	NUT-0269	NYLOC NUT	10	40			
7	803713 01	HINGE PLATE (1.2M)	1	41	SCW-0136	CAP HEAD SCREW	1
8	WSH-0061	SPRING WASHER	12	42			
9	803781 01	NOSE (1.2m) PBXXX160631 & ON	1	43	HSS-0194	SETSCREW	9
OR	801903 01	NOSE (1.2m) PBXXX150404 TO 160631	1	44	WSH-0015	WASHER	18
OR	800820 01	NOSE (1.2m) UPTO PBXXX150404	1	45	802667 01	BUSH	2
10	800068 01	CURTAIN (1.2M)	2	46	801213 01	HEAD SKID COVER (LH DRIVE)	1
11	800825 01	FIXING STRIP (1.2M)	1	OR	801213 02	HEAD SKID COVER (RH DRIVE)	1
12	BLT-2700	COACHBOLT	20	47	WSH-0065	SPRING WASHER	6
13	800069 01	FIXING STRIP (1.2M)	1	48			
14	HSS-0150	SETSCREW	18	49			
15	WSH-0012	PLAIN WASHER	38	50			
16	NUT-0263	NYLOC NUT	38	51	HSS-0315	SETSCREW	2
17	801950 01	SPACER TUBE	2	52	WSHA30161	WASHER PBXXX150404 & ON	2
18	BLT-3745	COACHBOLT	4	OR	WSHA30121	WASHER UPTO PBXXX150404	2
19	800881 01	SKID W/A LH	1	53	HSS-0191	SETSCREW	3
20	800881 02	SKID W/A RH	1	54	SCW-0514	CAP HEAD SCREW	8
21	HSS-0250	SETSCREW	4	55	SCBA10114	CAP HEAD SCREW	11
22	801971 01	ROLLER (1.2M)	1				
23	801944 01	END CAP	2				
24	NIP-00600	GREASE NIPPLE	6				
25	BRG-13005	BEARING	4				
26	CIR-0720	CIRCLIP	2				
27	SCW-0243	CAP HEAD SCREW	6				
28	802664 02	BRACKET ADJUSTABLE LH	1				
29	802664 01	BRACKET ADJUSTABLE RH	1				

**REFER TO KIT-08247 FOR HYDRAULICS**





KIT-08177 KIT-08178

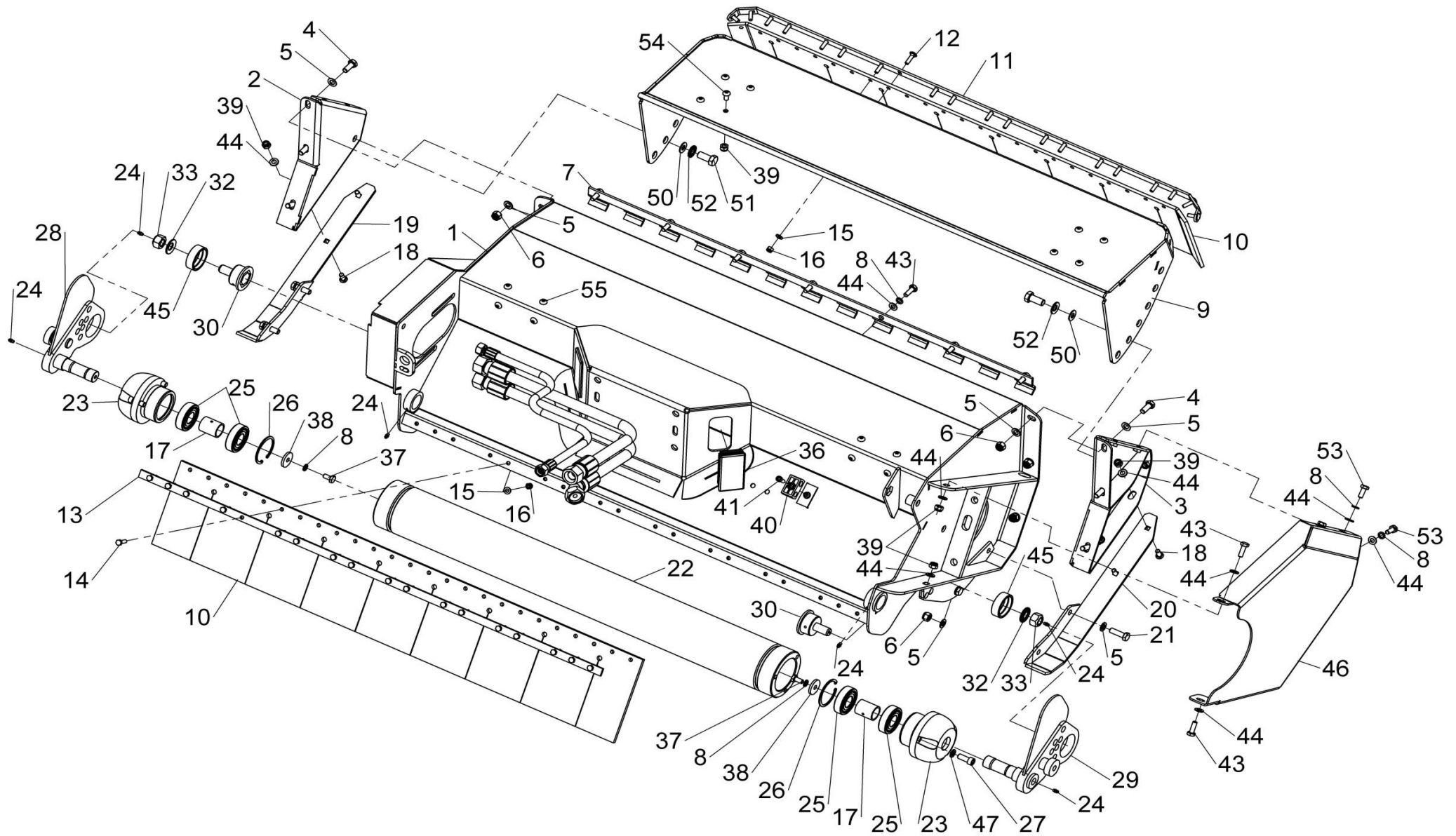


# Shelbourne Reynolds Engineering Limited

ASSY NUMBER:		KIT-08177BG		ASSY DESCRIPTION:		HEAD SHELL, NOSE AND ROLLER 1.2m BLUE & GREY	
ITEM	PART NO	DESCRIPTION	QTY	ITEM	PART NO	DESCRIPTION	QTY
1	801670 01B	HEAD SHELL (1.2M) LH DRIVE	1	33	NUTA15202	STOVER NUT	2
OR	801670 29B	HEAD SHELL (1.2M) RH DRIVE	1	34			
2	800815 01G	NOSE SIDE PANEL (LH DRIVE)	1	35			
OR	800815 02G	NOSE SIDE PANEL (RH DRIVE)	1	36	CAP-0060	PLASTIC CAP	2
3	801212 01G	NOSE SIDE PANEL (LH DRIVE)	1	37	HSS-0188	SETSCREW	2
OR	801212 06G	NOSE SIDE PANEL (RH DRIVE)	1	38	190548 01	WASHER	2
4	HSS-0238	SETSCREW	8	39	NUT-0265	NYLOC NUT	6
5	WSH-0018	PLAIN WASHER	24	40			
6	NUT-0269	NYLOC NUT	10	41	SCW-0136	CAP HEAD SCREW	1
7	803713 01B	HINGE PLATE (1.2M)	1	42			
8	WSH-0061	SPRING WASHER	12	43	HSS-0194	SETSCREW	9
9	800820 01G	NOSE (1.2m)	1	44	WSH-0015	WASHER	18
10	800068 01	CURTAIN (1.2M)	2	45	802667 01	BUSH	2
11	800825 01	FIXING STRIP (1.2M)	1	46	801213 01G	HEAD SKID COVER (LH DRIVE)	1
12	BLT-2700	COACHBOLT	20	OR	801213 02G	HEAD SKID COVER (RH DRIVE)	1
13	800069 01	FIXING STRIP (1.2M)	1	47	WSH-0065	SPRING WASHER	6
14	HSS-0150	SETSCREW	18	48			
15	WSH-0012	PLAIN WASHER	38	49			
16	NUT-0263	NYLOC NUT	38	50	190119 89	WASHER	2
17	801950 01	SPACER TUBE	2	51			
18	BLT-3745	COACHBOLT	4	52	WSHA30121	WASHER	2
19	800881 01G	SKID W/A LH	1	53	HSS-0191	SETSCREW	3
20	800881 02G	SKID W/A RH	1				
21	HSS-0250	SETSCREW	4				
22	801971 01	ROLLER (1.2M)	1				
23	801944 01	END CAP	2				
24	NIP-00600	GREASE NIPPLE	6				
25	BRG-13005	BEARING	4				
26	CIR-0720	CIRCLIP	2				
27	SCW-0243	CAP HEAD SCREW	6				
28	802664 02B	BRACKET ADJUSTABLE LH	1				
29	802664 01B	BRACKET ADJUSTABLE RH	1				
30	802669 01	STUB PIVOT	2				
31							
32	WSHA30201	WASHER	2				

**REFER TO KIT-08249 FOR HYDRAULICS**





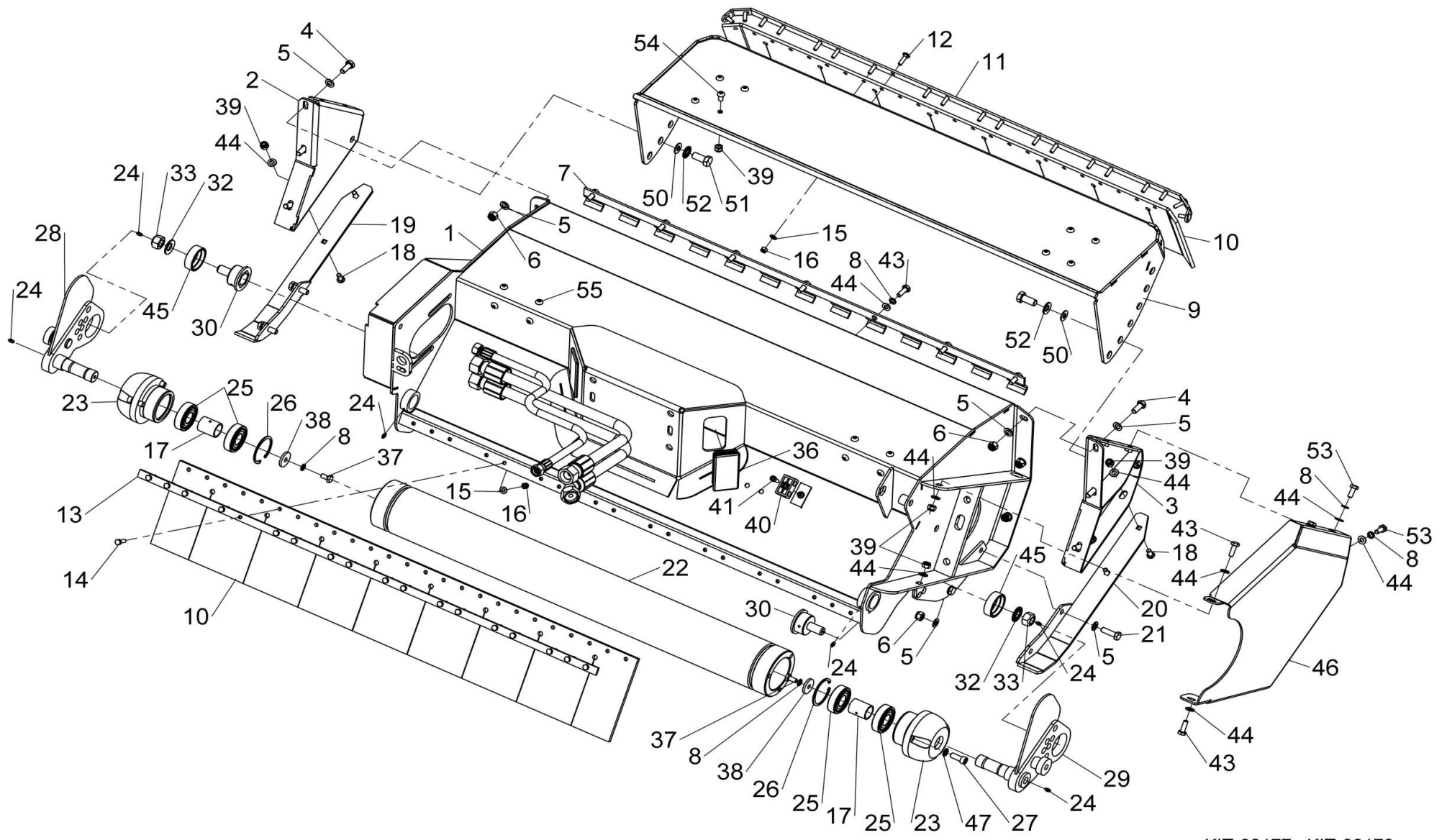
KIT-08177 KIT-08178



# Shelbourne Reynolds Engineering Limited

ASSY NUMBER:		KIT-08178		ASSY DESCRIPTION:		HEAD SHELL, NOSE AND ROLLER 1.5m (2013 & ON)	
ITEM	PART NO	DESCRIPTION	QTY	ITEM	PART NO	DESCRIPTION	QTY
1	801670 02	HEAD SHELL (1.5M)LH DRIVE	1	30	802669 01	STUB PIVOT	2
OR	801670 30	HEAD SHELL (1.5M)RH DRIVE	1	31			
2	801689 01	NOSE SIDE PBXXX150404 & ON	1	32	WSHA30201	WASHER	2
OR	800815 01	NOSE SIDE (LH DRIVE) UPTO PBXXX150404	1	33	NUTA15202	STOVER NUT	2
OR	800815 02	NOSE SIDE (RH DRIVE) UPTO PBXXX150404	1	34			
3	801689 02	NOSE SIDE PBXXX150404 & ON	1	35			
OR	801212 01	NOSE SIDE (LH DRIVE) UPTO PBXXX150404	1	36	CAP-0060	PLASTIC CAP	2
OR	801212 06	NOSE SIDE (RH DRIVE) UPTO PBXXX150404	1	37	HSS-0188	SETSCREW	2
4	HSS-0238	SETSCREW	6	38	190548 01	WASHER	2
5	WSH-0018	PLAIN WASHER	24	39	NUT-0265	NYLOC NUT	16
6	NUT-0269	NYLOC NUT	10	40			
7	803714 01	HINGE PLATE (1.5M)	1	41	SCW-0136	CAP HEAD SCREW	1
8	WSH-0061	SPRING WASHER	12	42			
9	803779 01	NOSE (1.5m) PBXXX160631) & ON	1	43	HSS-0194	SETSCREW	9
OR	802447 01	NOSE (1.5m) PBXXX(150404) TO(160631)	1	44	WSH-0015	WASHER	18
OR	800820 02	NOSE (1.5m) UPTO PBXXX150404	1	45	802667 01	BUSH	2
10	800068 02	CURTAIN (1.5M)	2	46	801213 01	HEAD SKID COVER (LH DRIVE)	1
11	800825 02	FIXING STRIP (1.5M)	1	OR	801213 02	HEAD SKID COVER (RH DRIVE)	1
12	BLT-2700	COACHBOLT	20	47	WSH-0065	SPRING WASHER	6
13	800069 02	FIXING STRIP (1.5M)	1	48			
14	HSS-0150	SETSCREW	18	49			
15	WSH-0012	PLAIN WASHER	38	50			
16	NUT-0263	NYLOC NUT	38	51	HSS-0315	SETSCREW	2
17	801950 01	SPACER TUBE	2	52	WSHA30161	WASHER PBXXX150404 & ON	2
18	BLT-3745	COACHBOLT	4	OR	WSHA30121	WASHER UPTO PBXXX150404	2
19	800881 01	SKID W/A LH	1	53	HSS-0191	SETSCREW	3
20	800881 02	SKID W/A RH	1	54	SCW-0514	CAP HEAD SCREW	8
21	HSS-0250	SETSCREW	4	55	SCBA10114	CAP HEAD SCREW	11
22	801976 01	ROLLER (1.5M)	1				
23	801944 01	END CAP	2				
24	NIP-00600	GREASE NIPPLE	6				
25	BRG-13005	BEARING	4				
26	CIR-0720	CIRCLIP	2				
27	SCW-0243	CAP HEAD SCREW	6				
28	802664 02	BRACKET ADJUSTABLE LH	1				
29	802664 01	BRACKET ADJUSTABLE RH	1				

**REFER TO KIT-08248 FOR HYDRAULICS**



KIT-08177 KIT-08178

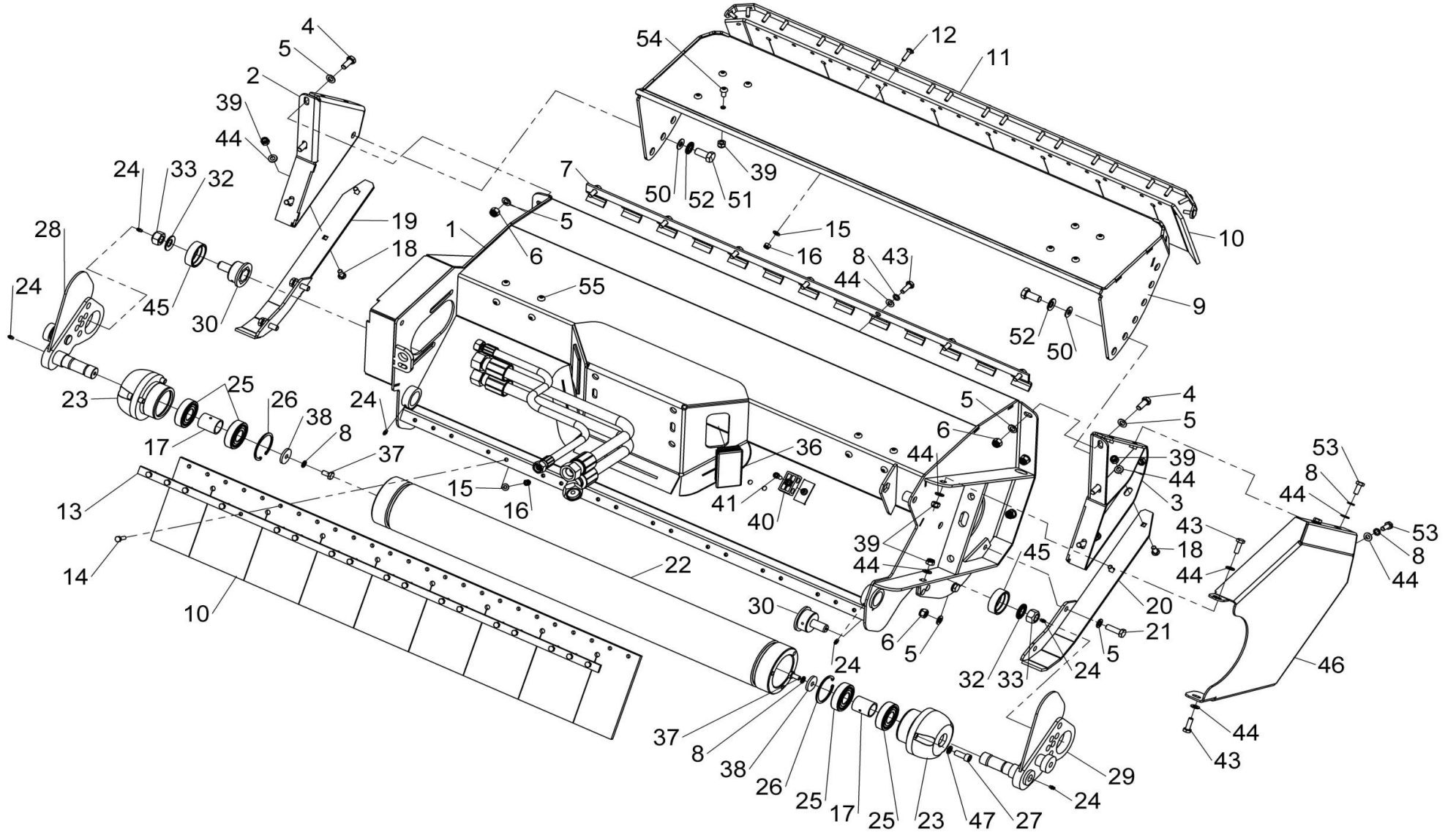


# Shelbourne Reynolds Engineering Limited

ASSY NUMBER:		KIT-08178BG		ASSY DESCRIPTION:		HEAD SHELL, NOSE AND ROLLER 1.5m BLUE & GREY	
ITEM	PART NO	DESCRIPTION	QTY	ITEM	PART NO	DESCRIPTION	QTY
1	801670 02B	HEAD SHELL (1.5M) LH DRIVE	1	33	NUTA15202	STOVER NUT	2
OR	801670 30B	HEAD SHELL (1.5M) RH DRIVE	1	34			
2	800815 01G	NOSE SIDE PANEL (LH DRIVE)	1	35			
OR	800815 02G	NOSE SIDE PANEL (RH DRIVE)	1	36	CAP-0060	PLASTIC CAP	2
3	801212 01G	NOSE SIDE PANEL (LH DRIVE)	1	37	HSS-0188	SETSCREW	2
OR	801212 06G	NOSE SIDE PANEL (RH DRIVE)	1	38	190548 01	WASHER	2
4	HSS-0238	SETSCREW	8	39	NUT-0265	NYLOC NUT	6
5	WSH-0018	PLAIN WASHER	24	40			
6	NUT-0269	NYLOC NUT	10	41	SCW-0136	CAP HEAD SCREW	1
7	803714 01B	HINGE PLATE (1.5M)	1	42			
8	WSH-0061	SPRING WASHER	12	43	HSS-0194	SETSCREW	9
9	800820 02G	NOSE (1.5m)	1	44	WSH-0015	WASHER	18
10	800068 02	CURTAIN (1.5M)	2	45	802667 01	BUSH	2
11	800825 02	FIXING STRIP (1.5M)	1	46	801213 01G	HEAD SKID COVER (LH DRIVE)	1
12	BLT-2700	COACHBOLT	20	OR	801213 02G	HEAD SKID COVER (RH DRIVE)	1
13	800069 02	FIXING STRIP (1.5M)	1	47	WSH-0065	SPRING WASHER	6
14	HSS-0150	SETSCREW	18	48			
15	WSH-0012	PLAIN WASHER	38	49			
16	NUT-0263	NYLOC NUT	38	50	190119 89	WASHER	2
17	801950 01	SPACER TUBE	2	51			
18	BLT-3745	COACHBOLT	4	52	WSHA30121	WASHER	2
19	800881 01G	SKID W/A LH	1	53	HSS-0191	SETSCREW	3
20	800881 02G	SKID W/A RH	1				
21	HSS-0250	SETSCREW	4				
22	801976 01	ROLLER (1.5M)	1				
23	801944 01	END CAP	2				
24	NIP-00600	GREASE NIPPLE	6				
25	BRG-13005	BEARING	4				
26	CIR-0720	CIRCLIP	2				
27	SCW-0243	CAP HEAD SCREW	6				
28	802664 02B	BRACKET ADJUSTABLE LH	1				
29	802664 01B	BRACKET ADJUSTABLE RH	1				
30	802669 01	STUB PIVOT	2				
31							
32	WSHA30201	WASHER	2				

**REFER TO KIT-08250 FOR HYDRAULICS**





KIT-08177 KIT-08178



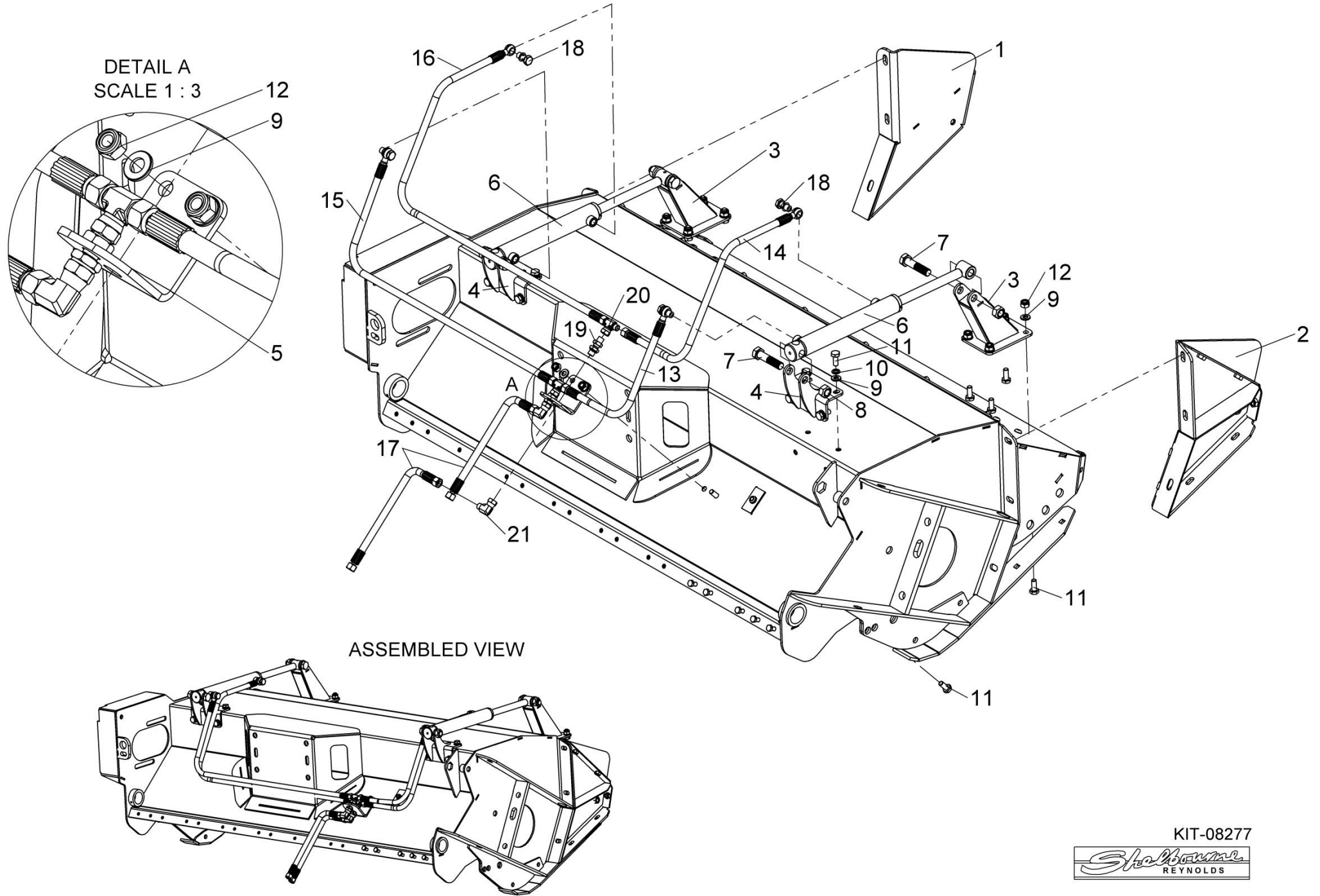




# KIT OPTIONS

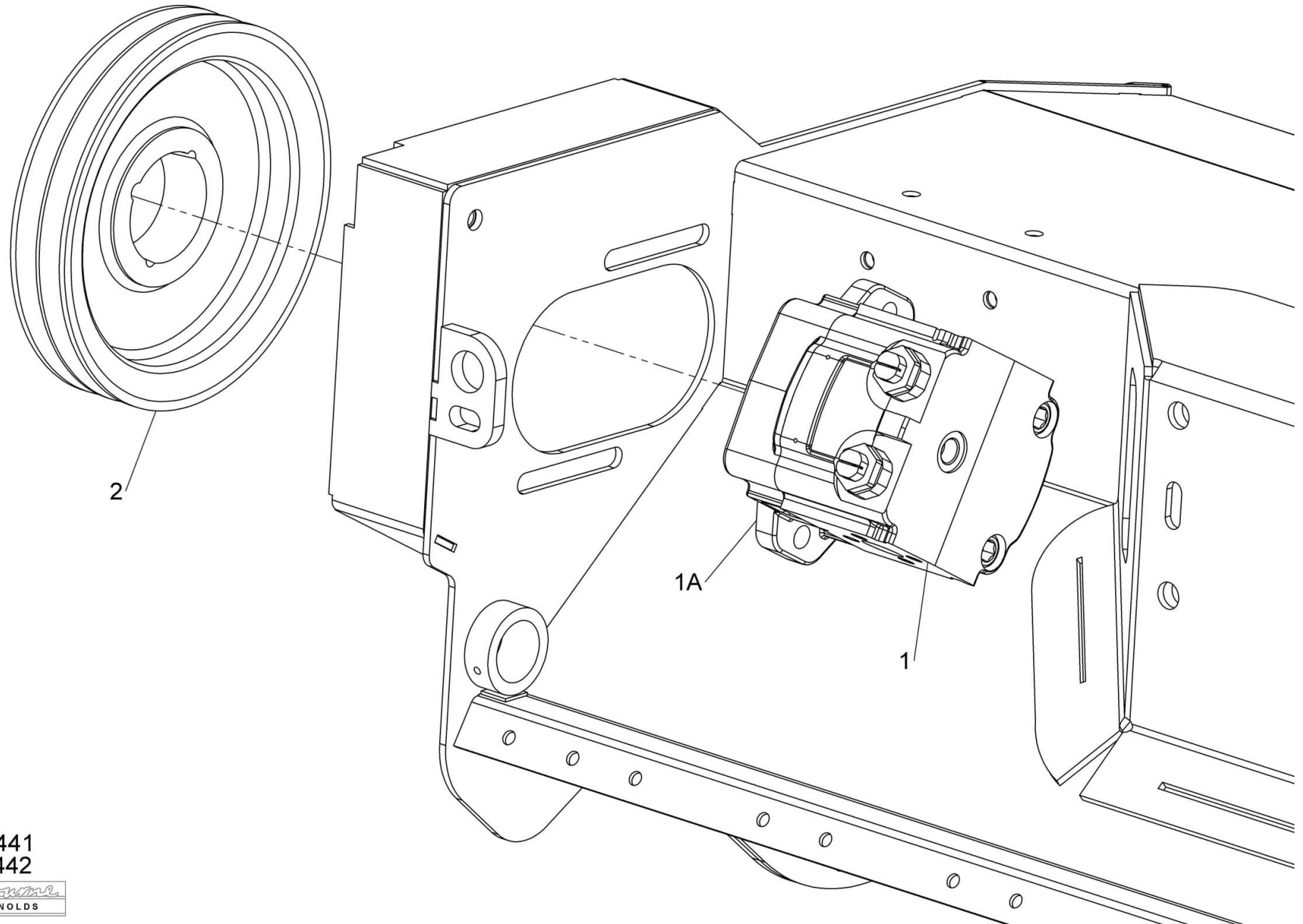
# Shelbourne Reynolds Engineering Limited

ASSY NUMBER: KIT-08277				ASSY DESCRIPTION: HYDRAULIC NOSE KIT 1.2m & 1.5m HEADS. LH & RH DRIVE.			
ITEM	PART NO	DESCRIPTION	QTY	ITEM	PART NO	DESCRIPTION	QTY
1	803706 01	NOSE SIDE PANEL LH (LH DRIVE)	1				
OR	803706 02	NOSE SIDE PANEL RH (RH DRIVE)	1			KIT-08277A(G) - 1.2/1.5m	
2	803708 01	NOSE SIDE PANEL RH (LH DRIVE)	1			LH DRIVE 600/HD700/HD800	
OR	803708 02	NOSE SIDE PANEL LH (RH DRIVE)	1			KIT-08277B(G) - 1.2/1.5m	
3	803697 01	NOSE TO RAM BRACKET W/A	2			RH DRIVE 600/HD700/HD800	
4	804728 01	HEAD TO RAM BRACKET W/A	2			KIT-08277C(G) -1.2/1.5m	
5	804730 01	BULKHEAD BRACKET	1			LH DRIVE HD800 VFRT	
6	RAM-0025	DOUBLE ACTING RAM	2			KIT-08277D(G) -1.2/1.5m	
7	BLT-2314	BOLT	4			RH DRIVE HD800 VFRT	
8	NUTA15162	NUT	4				
9	WSH-0015	WASHER	18				
10	WSH-0061	SPRING WASHER	8				
11	HSS-0191	BOLT	18				
12	NUT-0265	NUT	10				
13	HHLC04005	HOSE	1				
14	HHLC05905	HOSE	1				
15	HHLC09805	HOSE	1				
16	HHLC12005	HOSE	1				
17	HHAC18505	HOSE 1.2/1.5m TELE	2				
OR	HHAC23005	HOSE 1.2/1.5m VFRT	2				
18	HFAW50003	BANJO BOLT AND SEALS	4				
19	HBK-0010	BULKHEAD	2				
20	FITA10130	HYD TEE	2				
21	HALAA0303	HYD ELBOW 90	2				



# Shelbourne Reynolds Engineering Limited

ASSY NUMBER: KIT-08441				ASSY DESCRIPTION: HD HEAD STANDARD POWER KIT			
ITEM	PART NO	DESCRIPTION	QTY	ITEM	PART NO	DESCRIPTION	QTY
1	MOTH03900	MOTOR	1				
1A	HMS-03900	MOTOR SEAL KIT					
2	800027 02	MOTOR PULLEY	1				



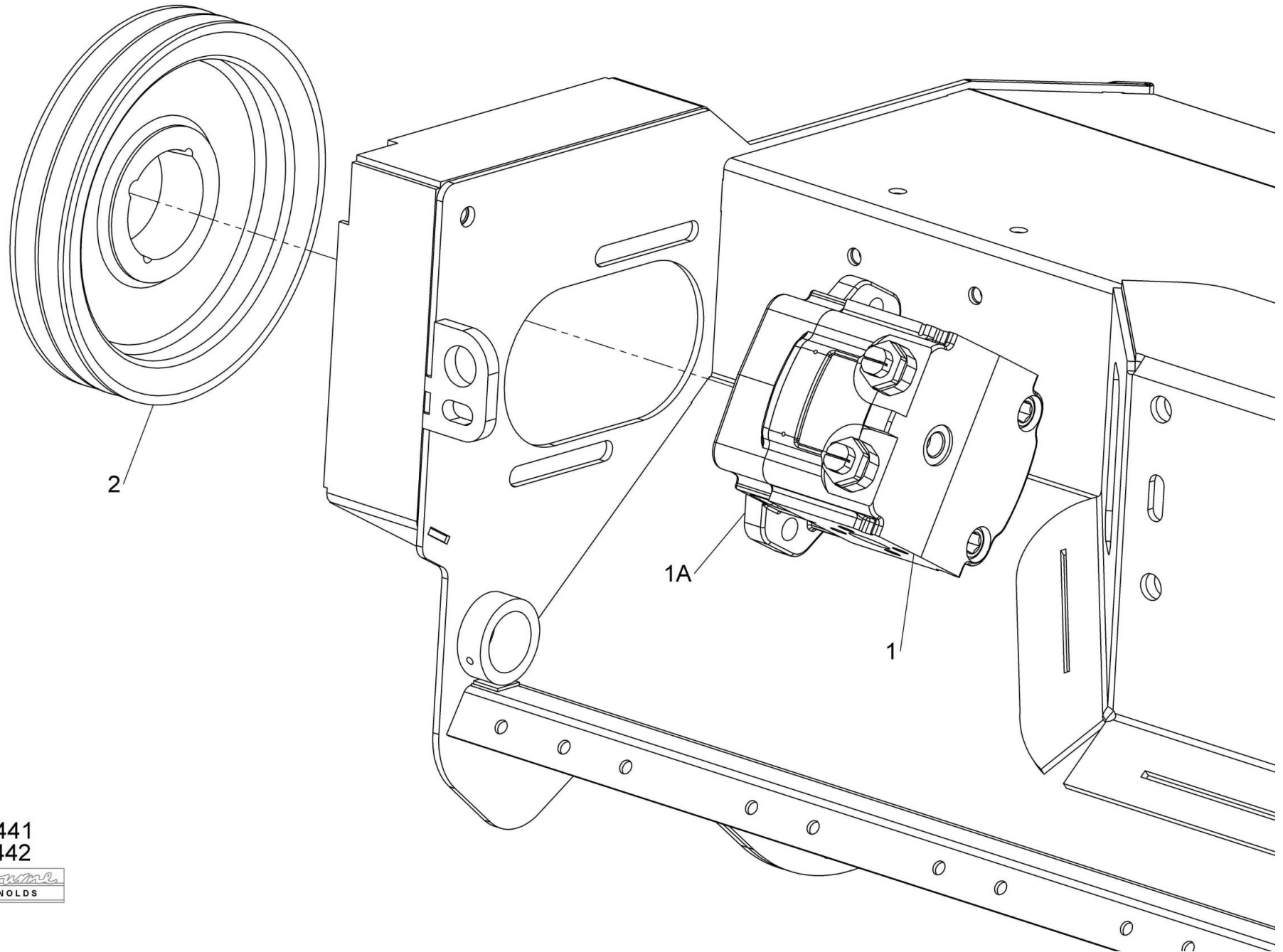
KIT-08441  
KIT-08442



# Shelbourne Reynolds Engineering Limited

ASSY NUMBER: KIT-08442				ASSY DESCRIPTION: HD HEAD HIGHER POWER KIT			
ITEM	PART NO	DESCRIPTION	QTY	ITEM	PART NO	DESCRIPTION	QTY
1	MOTH04300	MOTOR	1				
1A	HMS-04300	MOTOR SEAL KIT	-				
2	800027 01	MOTOR PULLEY	1				





KIT-08441  
KIT-08442

