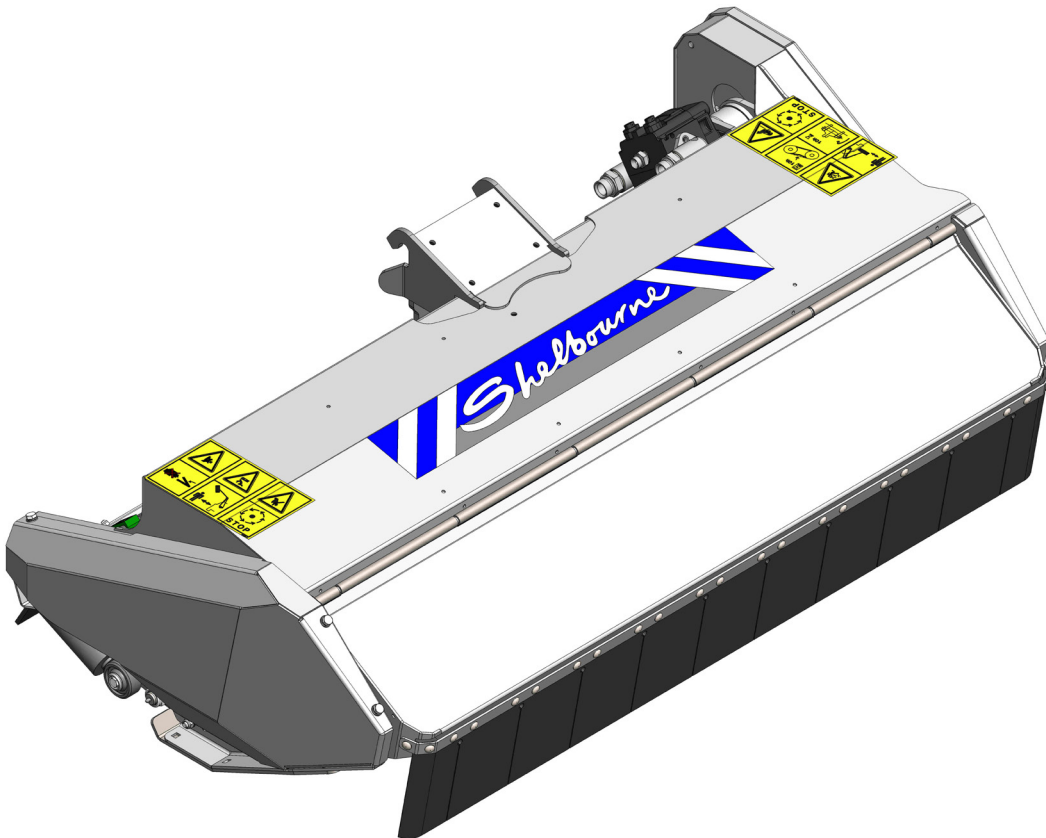


## GP HEAD PARTS MANUAL 2020 & ON



# TRIMMER

Shelbourne Reynolds Engineering Ltd  
Stanton  
Bury St Edmunds  
Suffolk  
IP31 2AR  
England

Telephone: 01359 250415  
Fax: 01359 250464

Stores Direct : 01359 251231  
Stores Direct: 01359 252031

Issue 6 05/07/2023



## ORDERING SPARE PARTS

### IMPORTANT

Your Trimmer is made up of a Machine assembly number (common parts), specific sub assemblies and also customer optional build kits. The machine, sub assemblies and optional kit numbers are listed in the front pages of your Operators manual, part no. MAN-10005 or MAN-10006.

If you do not have these numbers please contact Shelbourne Reynolds Parts Department direct on (telephone) 01359 251231.

To ensure that you order the correct part from your SRE dealer please use the following procedure.

### **ALWAYS QUOTE THE MACHINE AND SERIAL NUMBERS WHEN ORDERING.**

Refer to the Parts Manuals front page/s, listing the machine assemblies. Select the correct machine assembly number which is printed in the top left corner of the page (starting with 8099\_ \_ 01), This machine number can also be taken off the TRIMMER identification plate located on the front of the main chassis beam.

On this page you will find the parts listing for the common parts for every configuration of that machine assembly number. You will find the corresponding drawing by either looking at the facing page or progressing through the manual to the next drawing. The drawings indicate the components by item numbers, which you will find, are repeated in the left-hand side of your parts listing, and therefore referring to the correct part.

Note all parts will not be found listed below the machine number. Other parts will be from specific sub assemblies and optional kits. These sub assemblies and kits will be found in numerical order further through the manual.

Sub assemblies start with 8090\_ \_ 01 and kits start with KIT-08 \_ \_ \_.

# List Of Kit Numbers

809924 01	GP1500 Head Assembly	6
809925 01	GP1200 Head Assembly	8
KIT- 08415	1.5m Head Shell Kit	10
KIT-08417	Drives And Guards Kit	12
KIT-08419	1.5m Nose Kit	14
KIT-08422	Skid Kit	16
KIT-08427	1.2m Nose Kit	18
KIT-08428	1.2m Head Shell Kit	20

## Kit Options

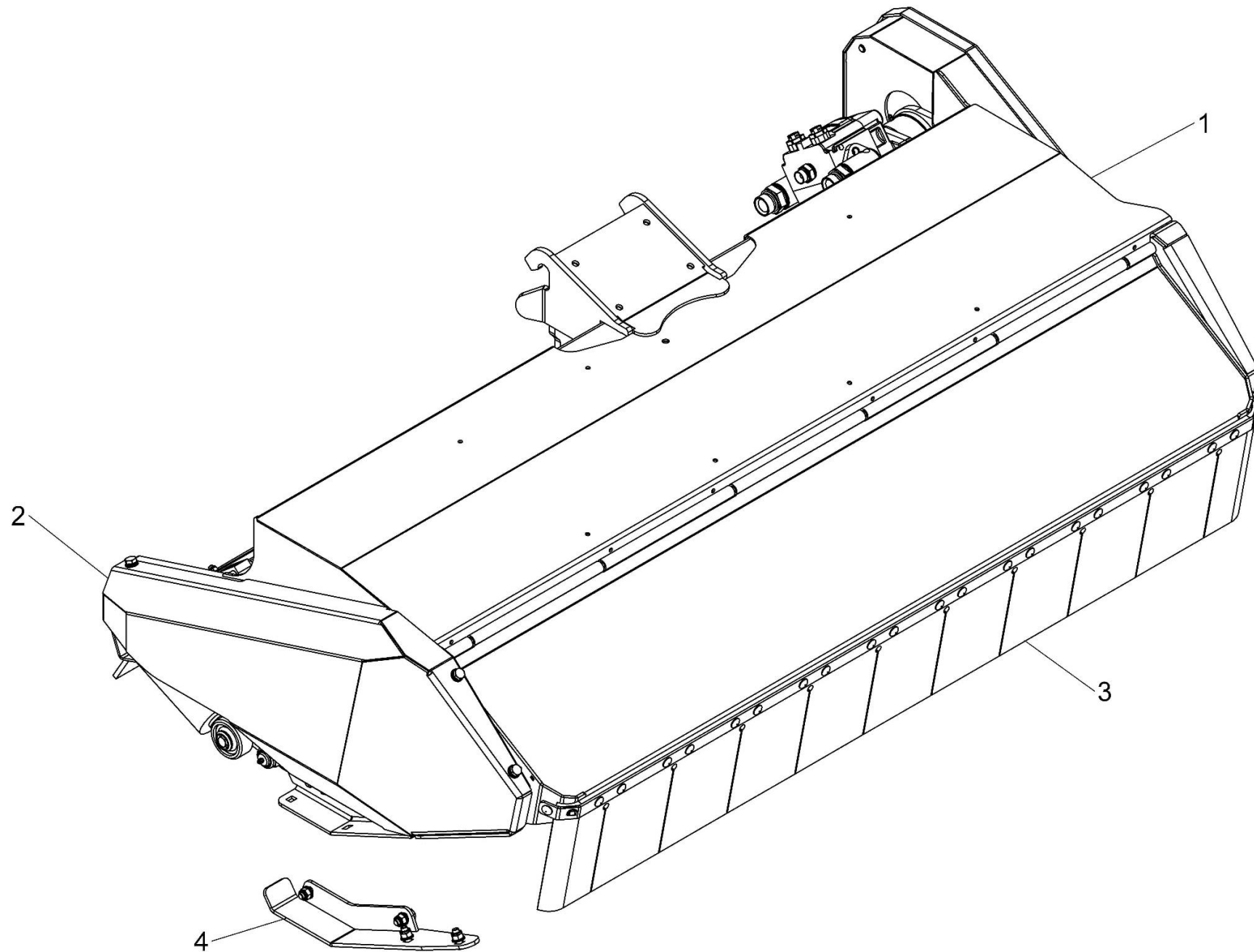
23

KIT-08311	Head Standard Power Kit	24
KIT-08312	Head High Power Kit	26
KIT-08418	1.5m Roller Kit	28
KIT-08418 HYD	HYD KIT for 1.5m HYD Roller	30
KIT-08423	GP1500 Flail Assembly	32
KIT-08426	GP1200 Flail Assembly	34
KIT-08429	1.2m Roller Kit	36
KIT-08429 HYD	HYD KIT for 1.2m HYD Roller	38
KIT-08432	GP Head Transfer Kit (UPTO Mid 2021)	40
KIT-08449	GP1500 Bolt Up Roller Kit	42
KIT-08449	GP1200 Bolt Up Roller Kit	44
KIT-08497	GP Head Transfers(Mid 2021 & ON)	46
KIT-08505	GP Head RH Verge Skid Kit	48



# Shelbourne Reynolds Engineering Limited

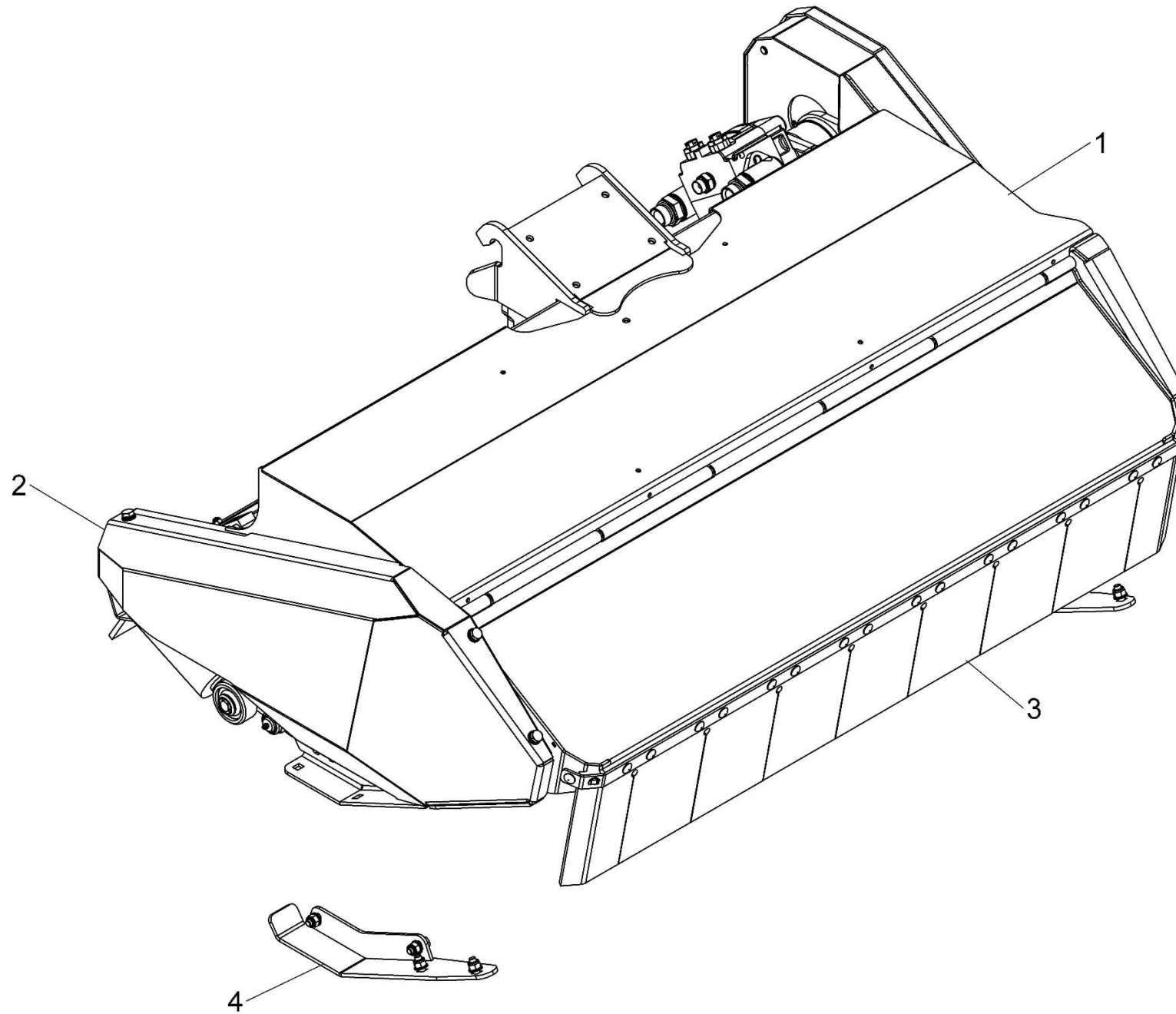
ASSY NUMBER: 809924 01				ASSY DESCRIPTION: GP1500 HEAD ASSY			
ITEM	PART NO	DESCRIPTION	QTY	ITEM	PART NO	DESCRIPTION	QTY
1	KIT-08415	1.5m HEAD SHELL ASSY	1				
2	KIT-08417	FLAIL MTG.& DRIVE ASSY	1				
3	KIT-08419	1.5m NOSE KIT	1				
4	KIT-08422	STD SKID KIT	1				



# Shelbourne Reynolds Engineering Limited

ASSY NUMBER: 809925 01				ASSY DESCRIPTION: GP1200 HEAD ASSY			
ITEM	PART NO	DESCRIPTION	QTY	ITEM	PART NO	DESCRIPTION	QTY
1	KIT-08428	1.2m HEAD SHELL ASSY	1				
2	KIT-08417	FLAIL MTG.& DRIVE ASSY	1				
3	KIT-08427	1.2m NOSE KIT	1				
4	KIT-08422	STD SKID KIT	1				



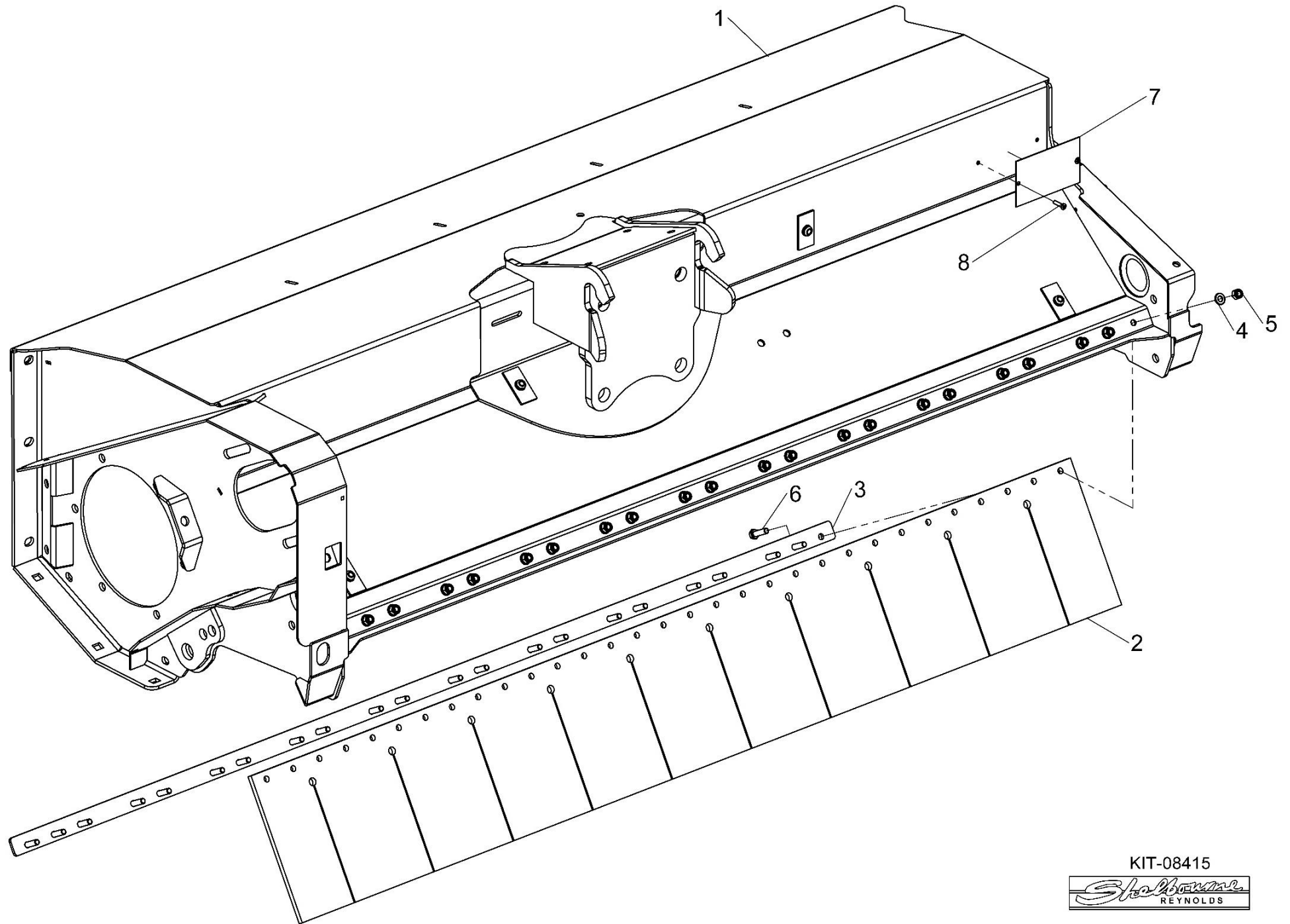


809925 01



# Shelbourne Reynolds Engineering Limited

ASSY NUMBER: KIT-08415				ASSY DESCRIPTION: 1.5m HEAD SHELL KIT			
ITEM	PART NO	DESCRIPTION	QTY	ITEM	PART NO	DESCRIPTION	QTY
1	806430 01	1.5m HEAD W/A	1				
2	800068 02	RUBBER CURTAIN	1				
3	806526 01	CLAMPING STRIP	1				
4	WSH-0012	WASHER	22				
5	NUT-0263	NYLOC NUT	22				
6	HSS-0150	BOLT	22				
7	290526 01	SERIAL NO. PLATE	1				
8	POP-0006	POP RIVET	2				

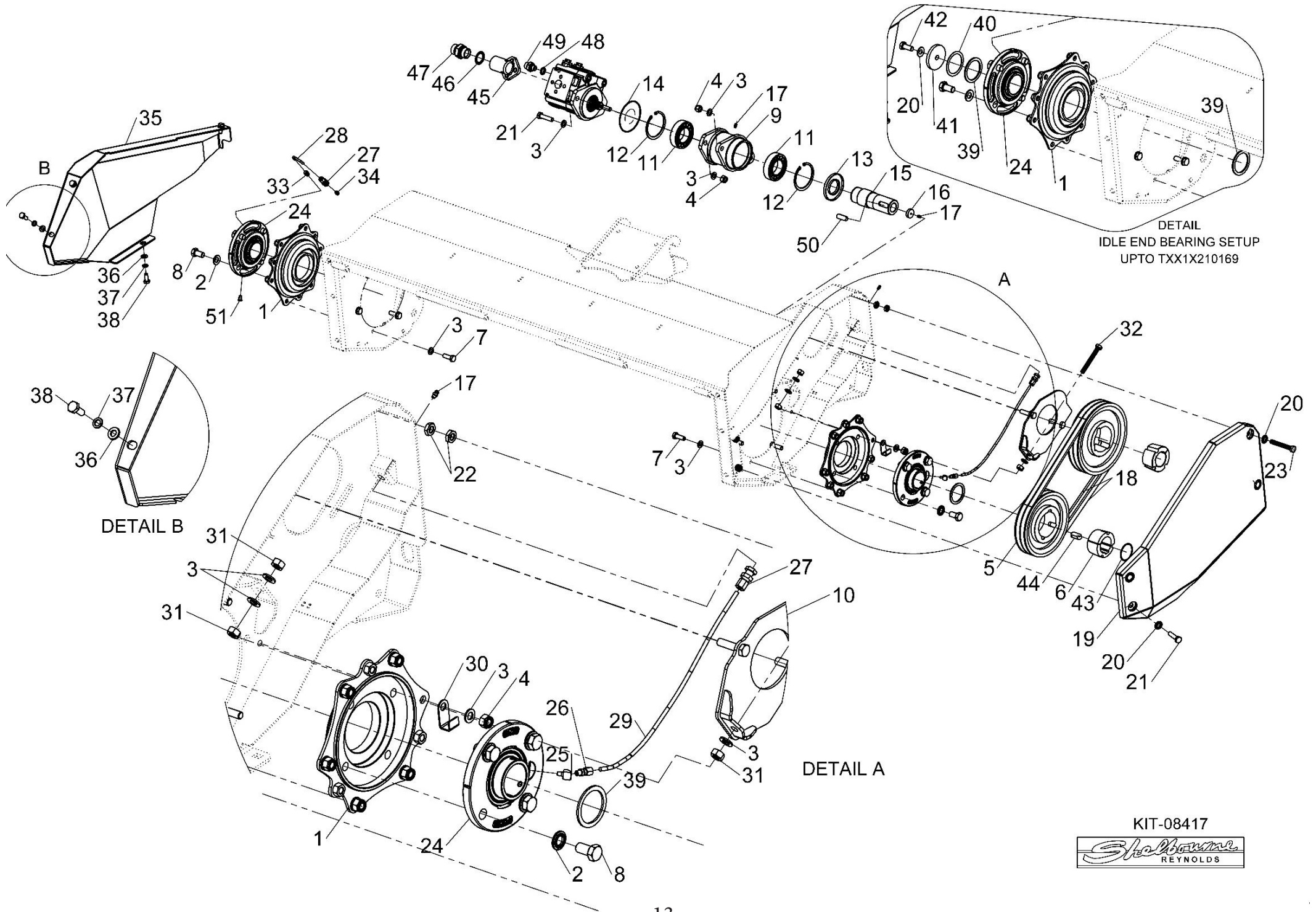


KIT-08415



# Shelbourne Reynolds Engineering Limited

ASSY NUMBER: KIT-08417				ASSY DESCRIPTION: DRIVES AND GUARDS KIT			
ITEM	PART NO	DESCRIPTION	QTY	ITEM	PART NO	DESCRIPTION	QTY
1	806436 01	BEARING HOUSING W/A	2	40	198800 61	WASHER UPTO TXX1X210169	1
2	WSHA30161	LOCK WASHER	8	41	198800 80	WASHER UPTO TXX1X210169	1
3	WSH-0018	WASHER	33	42	HSS-0238	BOLT UPTO TXX1X210169	1
4	NUT-0269	NYLOC NUT	16	43	CIR220055	CIRCLIP	1
5	PUL-0105	PULLEY	1	44	K1610040	KEYWAY	1
6	BSHZ05563	TAPERLOCK BUSH	1	45	FITF00005	ELBOW FLANGE	2
7	HSS-0241	BOLT	12	46	WSH-1025	DOWTY WASHER	2
8	HSSA16200	BOLT	8	47	FIT-0546	ADAPTOR	2
9	804896 01	OUTRIGGER HOUSING W/A	1	48	WSH-1010	DOWTY WASHER	1
10	806495 01	LH MOTOR MOUNT W/A	1	49	HMA-0065	ADAPTOR	1
11	BRG-15082	BEARING	2	50	KEYA21405	KEY	1
12	CIR010090	CIRCLIP	2	51	BRG-92500	BRNG SCREW TXX1X210169 AND ON	1
13	SEAA05090	RADIAL SHAFT SEAL	1				
14	ORA161000	O RING	1				
15	804895 01	OUTRIGGER SHAFT	1				
16	805320 01	GREASE PLATE	1				
17	NIP-00600	GREASE NIPPLE	3				
18	BEL-10140	BELT	2				
19	806458 01	GUARD W/A	1				
20	WSHA30121	LOCKWASHER	4				
21	HSS-0260	BOLT	4				
22	NUT-0370	HALF NUT	8				
23	HSSA12530	BOLT	2				
24	806756 01	BEARING TXX1X210169 ON	2				
OR	BRG-25520	BEARING UPTO TXX1X210169	2				
25	LUB-00056	ADAPTOR	1				
26	LUB-00045	ADAPTOR	1				
27	LUB-00052	BULKHEAD	2				
28	LUB-00044	6mm POLYAMIDE TUBE	0.12m				
29	LUB-00044	6mm POLYAMIDE TUBE	0.5m				
30	806494 01	GUIDE PLATE	1				
31	NUT-0170	NUT	3				
32	HSSA12560	BOLT	1				
33	LUB-00046	ADAPTOR	1				
34	NIP-00610	GREASE NIPPLE	1				
35	806501 01	RH GUARD W/A	1				
36	WSH-0015	WASHER	4				
37	WSH-0061	SPRING WASHER	4				
38	HSS-0191	BOLT	4				
39	198800 79	WASHER	1				



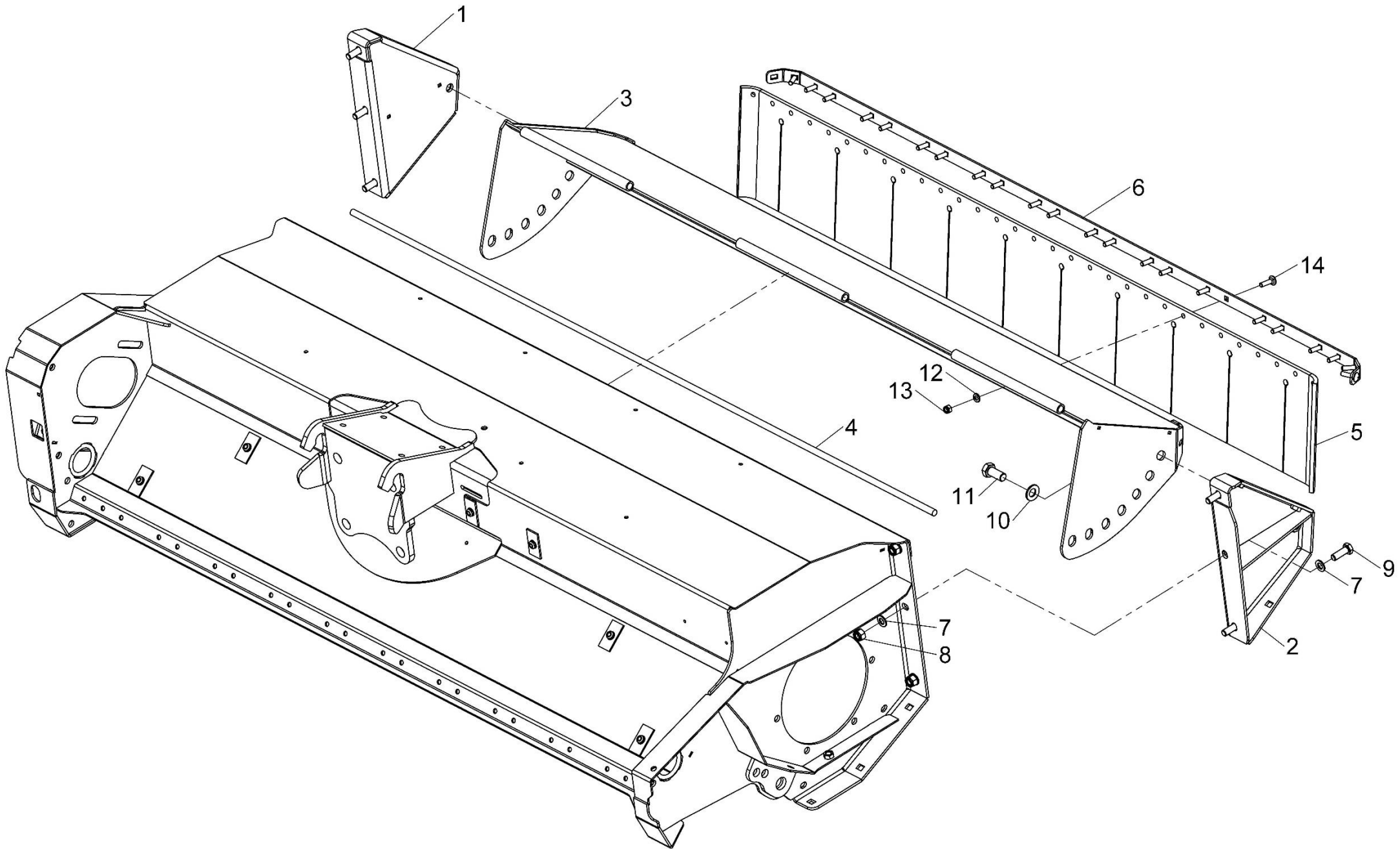
KIT-08417



# Shelbourne Reynolds Engineering Limited

ASSY NUMBER: KIT-08419				ASSY DESCRIPTION: 1.5m NOSE KIT			
ITEM	PART NO	DESCRIPTION	QTY	ITEM	PART NO	DESCRIPTION	QTY
1	806463 01	LH NOSE SIDE PANEL W/A	1				
2	806521 01	RH NOSE SIDE PANEL W/A	1				
3	806470 01	1.5m NOSE W/A	1				
4	806473 01	HINGE BAR	1				
5	800068 02	RUBBER CURTAIN	1				
6	806474 01	CLAMPING STRIP	1				
7	WSH-0018	WASHER	12				
8	NUT-0269	NYLOC NUT	6				
9	HSS-0241	BOLT	6				
10	WSHA30161	LOCKWASHER	2				
11	HSS-0315	BOLT	2				
12	WSH-0012	WASHER	24				
13	NUT-0263	NYLOC NUT	24				
14	BLT-2700	COACH BOLT	24				





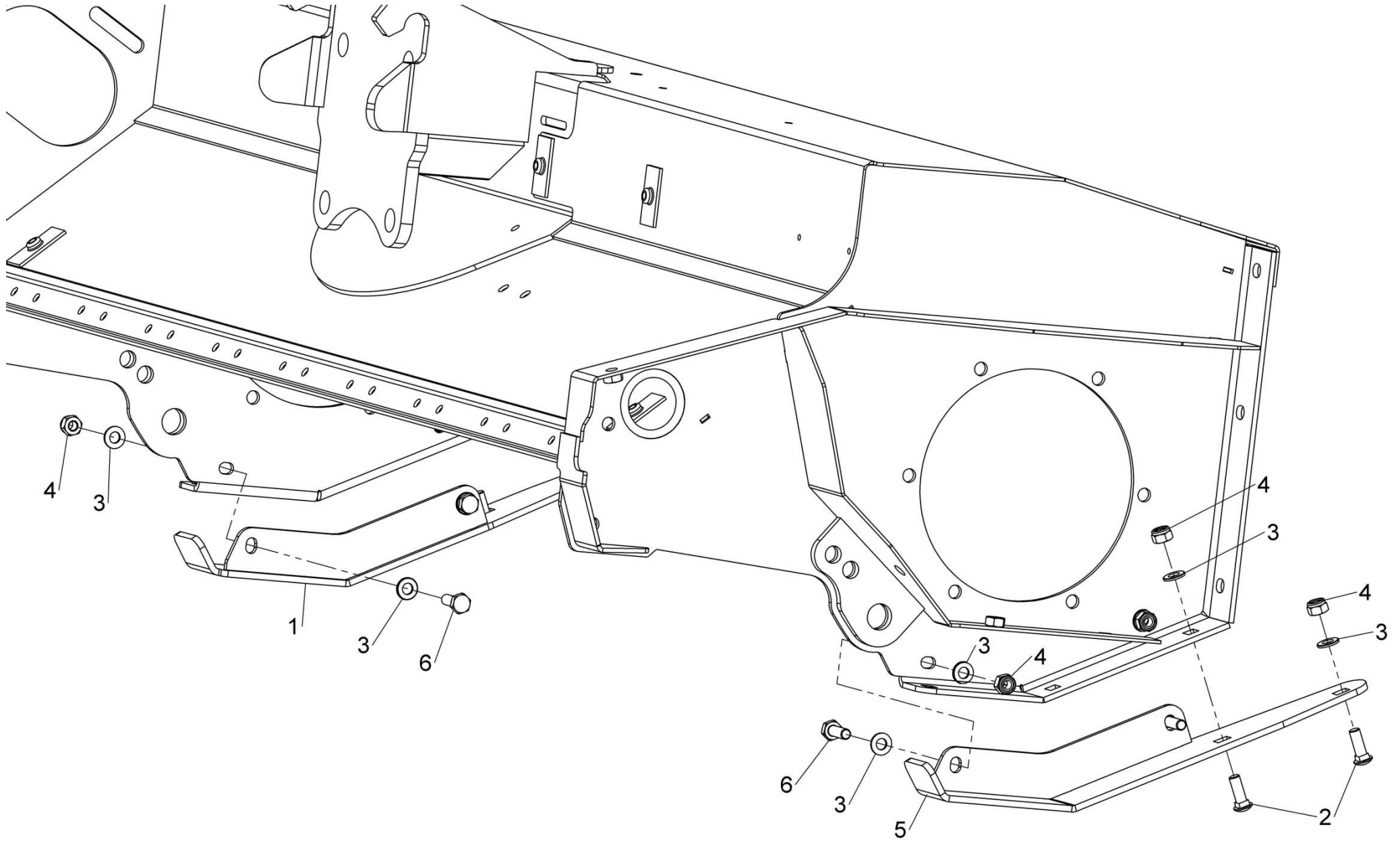
KIT-08419



# Shelbourne Reynolds Engineering Limited

ASSY NUMBER: KIT-08422				ASSY DESCRIPTION: SKID KIT			
ITEM	PART NO	DESCRIPTION	QTY	ITEM	PART NO	DESCRIPTION	QTY
1	806502 01	SKID W/A	1				
2	BLT-3750	COACHBOLT	4				
3	WSH-0015	WASHER	12				
4	NUT-0265	NYLOC NUT	8				
5	806502 02	SKID W/A	1				
6	HSS-0194	BOLT	4				



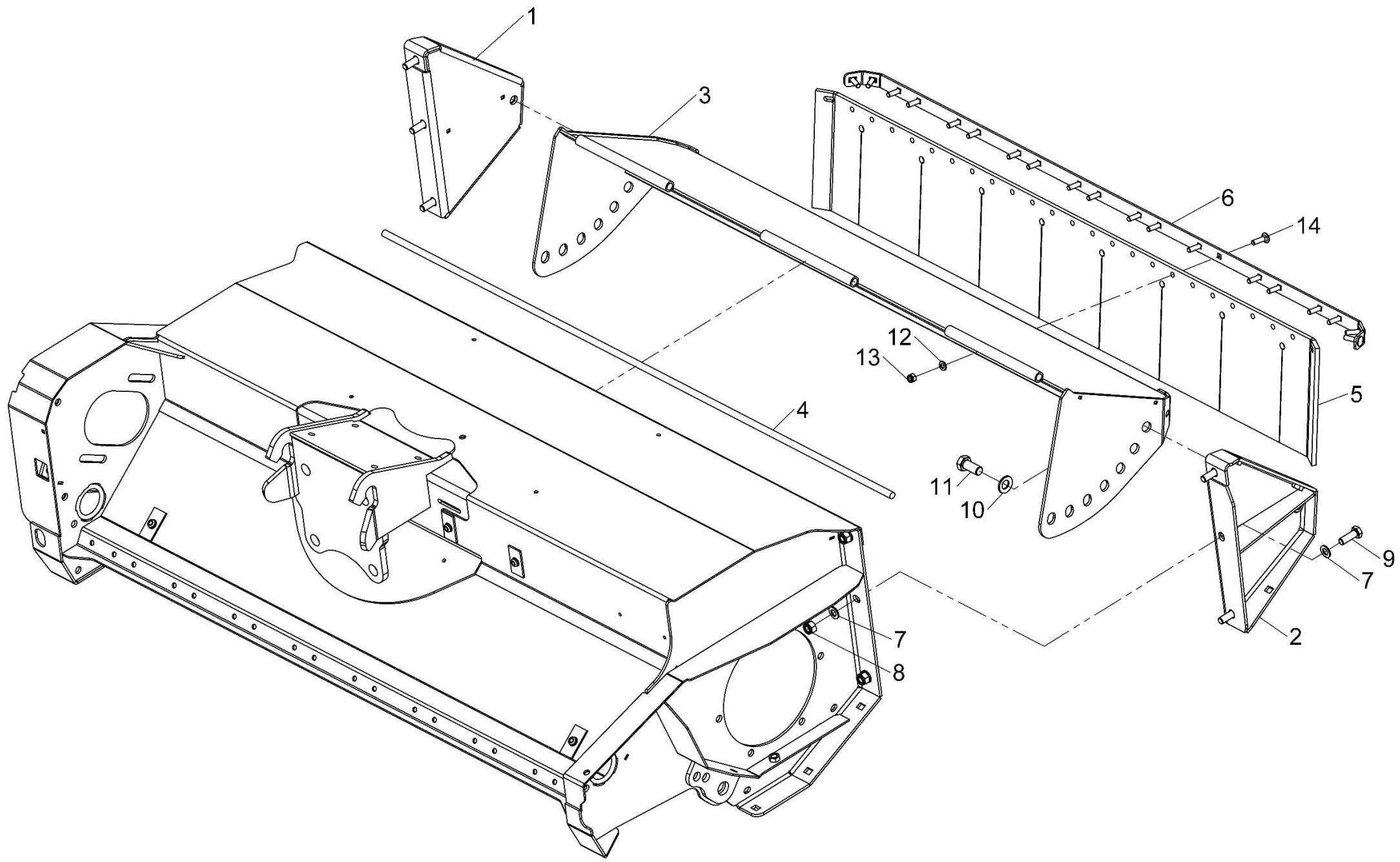


KIT-08422



# Shelbourne Reynolds Engineering Limited

ASSY NUMBER: KIT-08427				ASSY DESCRIPTION: 1.2m NOSE KIT			
ITEM	PART NO	DESCRIPTION	QTY	ITEM	PART NO	DESCRIPTION	QTY
1	806463 01	LH NOSE SIDE PANEL W/A	1				
2	806521 01	RH NOSE SIDE PANEL W/A	1				
3	806554 01	1.2m NOSE W/A	1				
4	806553 01	HINGE BAR	1				
5	800068 01	RUBBER CURTAIN	1				
6	806558 01	CLAMPING STRIP	1				
7	WSH-0018	WASHER	12				
8	NUT-0269	NYLOC NUT	6				
9	HSS-0241	BOLT	6				
10	WSHA30161	LOCKWASHER	2				
11	HSS-0315	BOLT	2				
12	WSH-0012	WASHER	20				
13	NUT-0263	NYLOC NUT	20				
14	BLT-2700	COACH BOLT	20				

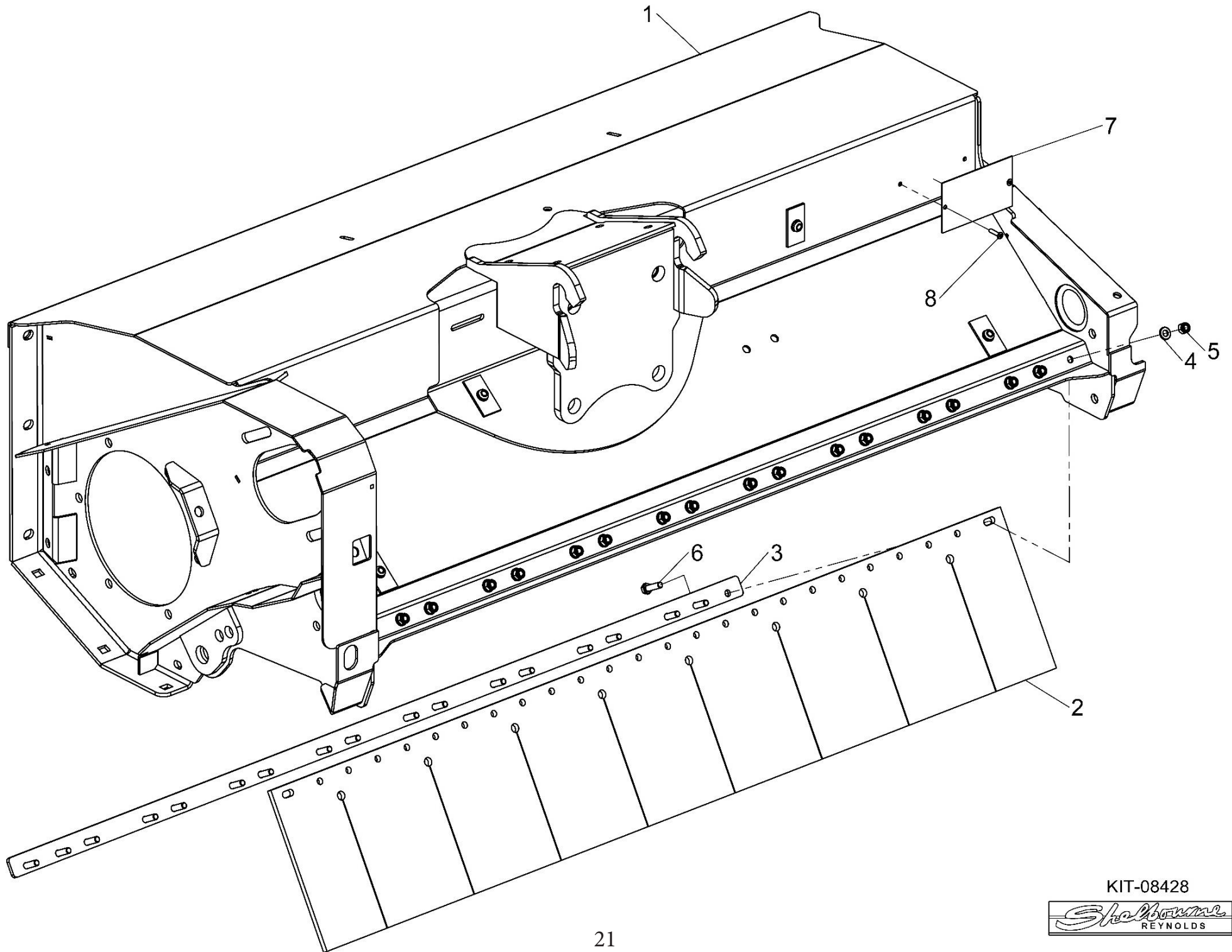


KIT-08427



# Shelbourne Reynolds Engineering Limited

ASSY NUMBER: KIT-08428				ASSY DESCRIPTION: 1.2m HEAD SHELL KIT			
ITEM	PART NO	DESCRIPTION	QTY	ITEM	PART NO	DESCRIPTION	QTY
1	806559 01	1.2m HEAD W/A	1				
2	800068 01	RUBBER CURTAIN	1				
3	806569 01	CLAMPING STRIP	1				
4	WSH-0012	WASHER	18				
5	NUT-0263	NYLOC NUT	18				
6	HSS-0150	BOLT	18				
7	290526 01	SERIAL NO. PLATE	1				
8	POP-0006	POP RIVET	2				



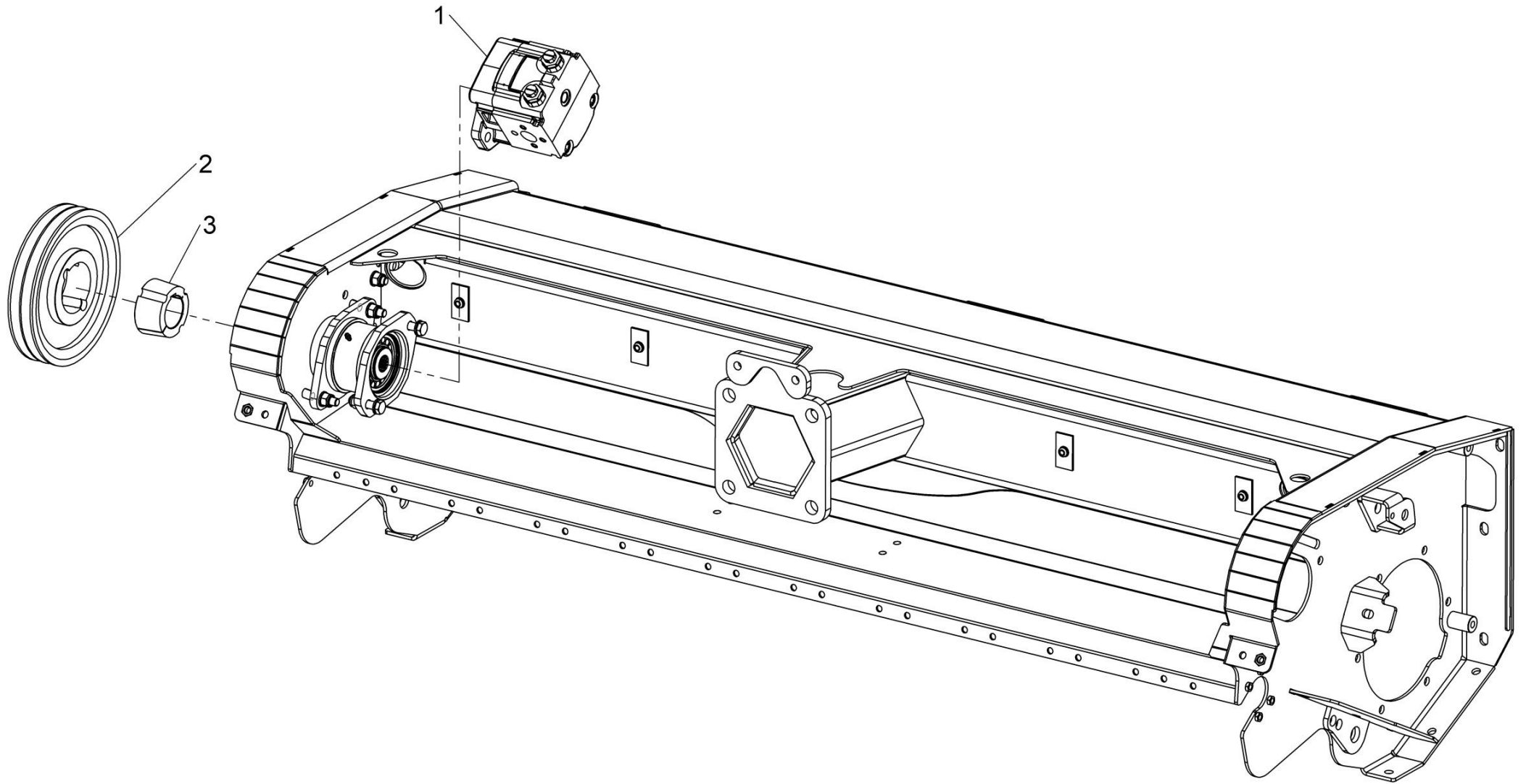


# Kit Options

# Shelbourne Reynolds Engineering Limited

ASSY NUMBER: KIT-08311				ASSY DESCRIPTION: HEAD STANDARD POWER KIT			
ITEM	PART NO	DESCRIPTION	QTY	ITEM	PART NO	DESCRIPTION	QTY
1	MOTH03900	HYDRAULIC MOTOR	1				
1A	MOTS03901	DRIVE SHAFT	-				
1B	HMS-03900	MOTOR SEAL KIT	-				
2	PUL-0110	PULLEY	1				
3	BSHZ05063	BUSH	1				



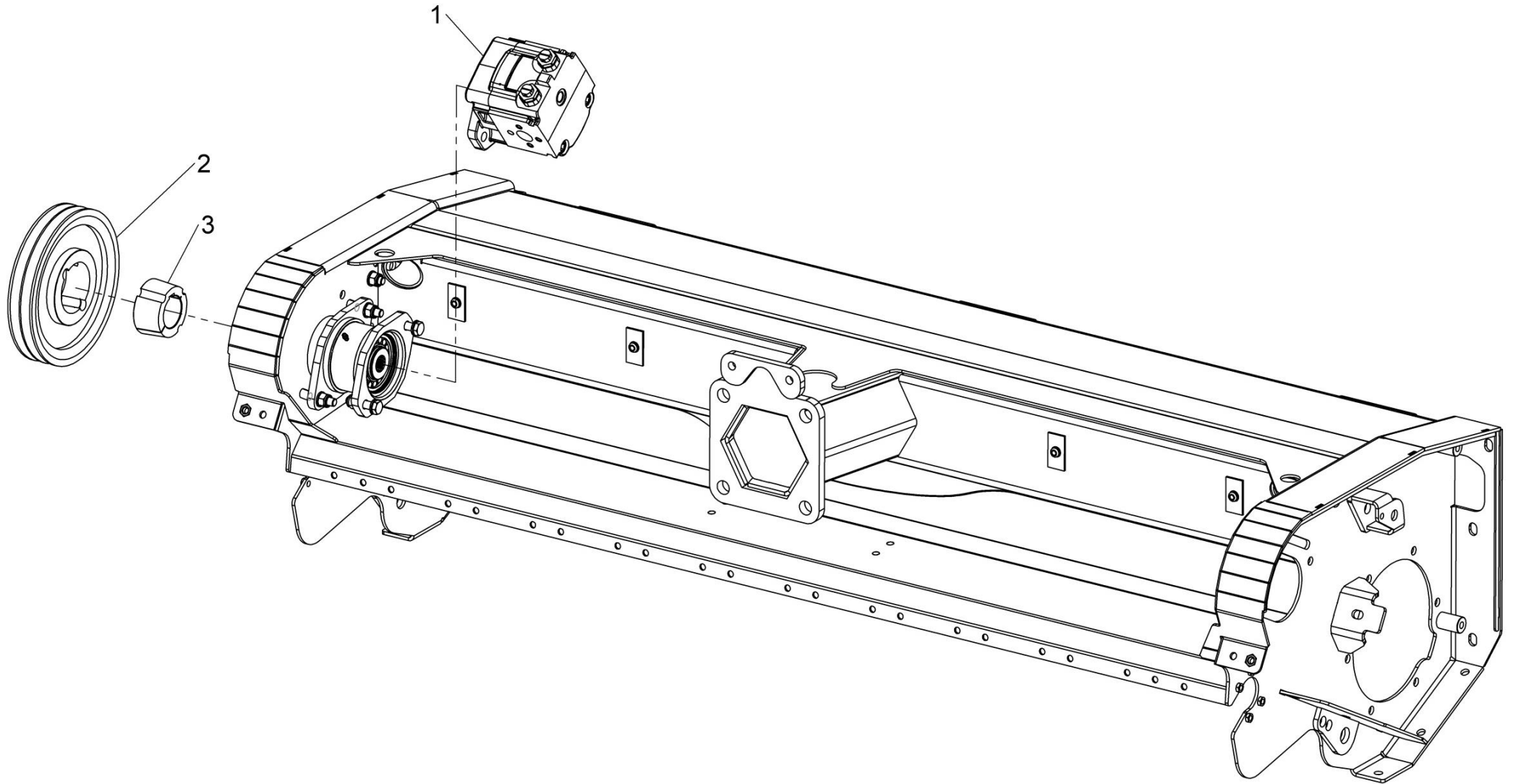


KIT-08311



**Shelbourne Reynolds Engineering Limited**

ASSY NUMBER: KIT-08312				ASSY DESCRIPTION: HEAD HIGH POWER KIT			
ITEM	PART NO	DESCRIPTION	QTY	ITEM	PART NO	DESCRIPTION	QTY
1	MOTH04300	HYDRAULIC MOTOR	1				
1A	MOTS04301	DRIVE SHAFT	-				
1B	HMS-04300	MOTOR SEAL KIT	-				
2	PUL-0105	PULLEY	1				
3	BSHZ05063	BUSH	1				



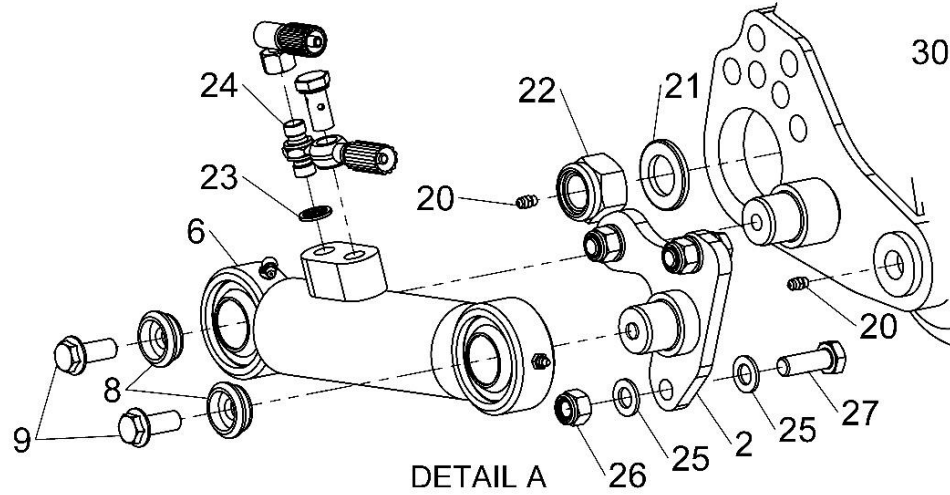
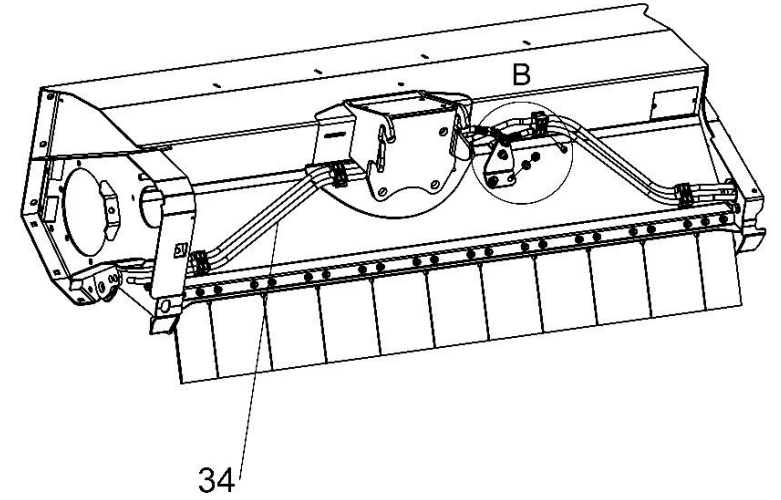
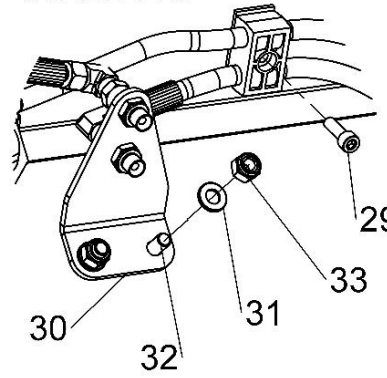
KIT-08312



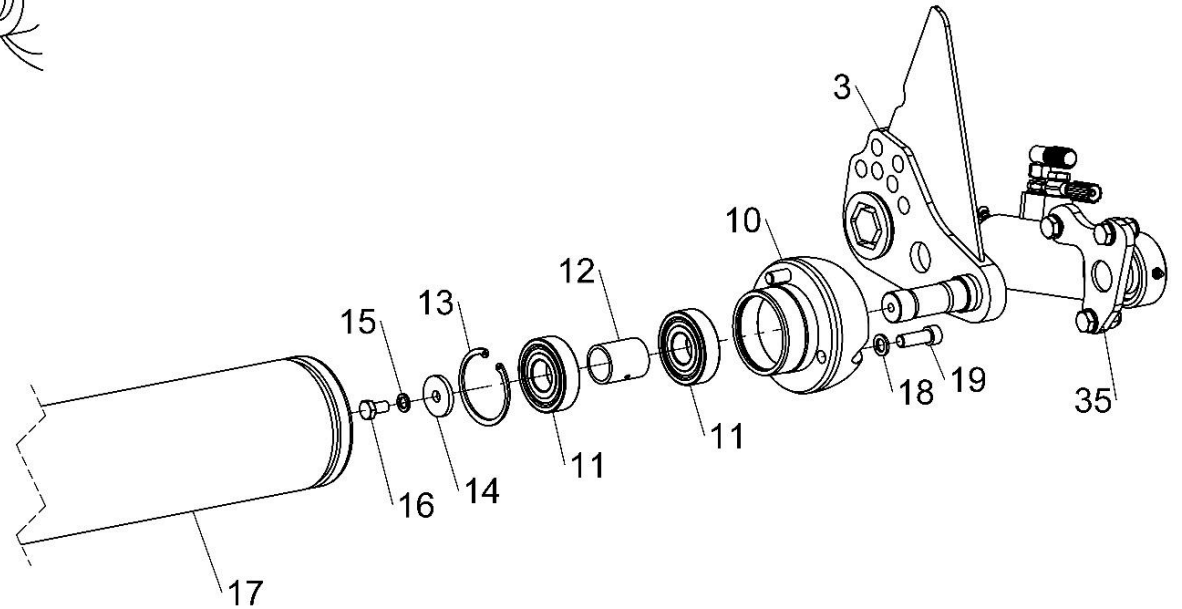
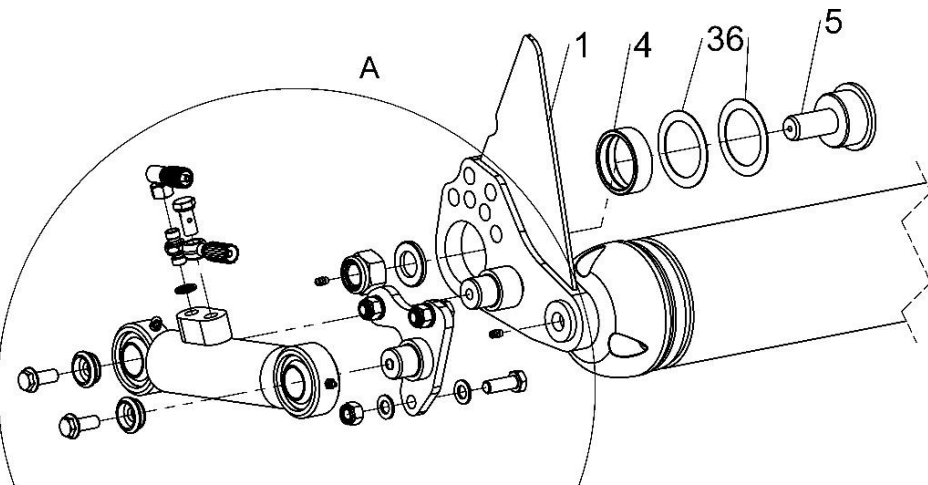
# Shelbourne Reynolds Engineering Limited

ASSY NUMBER: KIT-08418				ASSY DESCRIPTION: 1.5m ROLLER KIT			
ITEM	PART NO	DESCRIPTION	QTY	ITEM	PART NO	DESCRIPTION	QTY
1	806452 01	LH ADJUSTABLE BRACKET W/A	1				
2	807149 01	LH RAM MOUNT THD1X220226 & ON	1				
3	806452 02	RH ADJUSTABLE BRACKET W/A	1				
4	802667 01	BUSH	2				
5	804979 01	PIVOT STUB	2				
6	807396 01	CYLINDER LH 60OD TGP15220337 & ON	1				
OR	805782 01	CYLINDER LH 60OD UPTO TGP15220337	1				
7	807395 01	CYLINDER RH 70OD TGP15220337 & ON	1				
OR	805848 01	CYLINDER RH 70OD UPTO TGP15220337	1				
8	806139 01	DOME WASHER	4				
9	HSSF12204	BOLT	4				
10	805896 01	END CAP	2				
11	BRG-13005	BEARING	4				
12	801950 01	SPACER TUBE	2				
13	CIR-0720	CIRCLIP	2				
14	190548 01	RETAINING WASHER	2				
15	WSH-0061	SPRING WASHER	2				
16	HSS-0188	BOLT	2				
17	805933 03	ROLLER 1.5m	1				
18	WSH-0065	SPRING WASHER	6				
19	SCW-0245	CAP HEAD SCREW	6				
20	NIP-00600	GREASE NIPPLE	4				
21	WSH-0036	WASHER	2				
22	NUT-0275	NYLOC NUT	2				
23	WSH-1005	DOWTY WASHER	2				
24	HMA-0052	ADAPTOR	4				
25	WSH-0018	WASHER	12				
26	NUT-0269	NYLOC NUT	6				
27	HSS-0241	BOLT	6				
28							
29	SCW-0136	BOLT	5				
30	806696 01	BULKHEAD BRKT	1				
31	WSH-0015	WASHER	2				
32	HSS-0191	SETSCREW	2				
33	NUT-0265	NUT	2				
34	KIT-08418 HYD	HYD ROLLER HYD KIT	1				
35	807149 02	RH RAM MOUNT THD1X220226 & ON	1				
36	802673 01	SHIM	4				

DETAIL B  
SCALE 1 : 5



DETAIL A  
SCALE 1 : 4.5



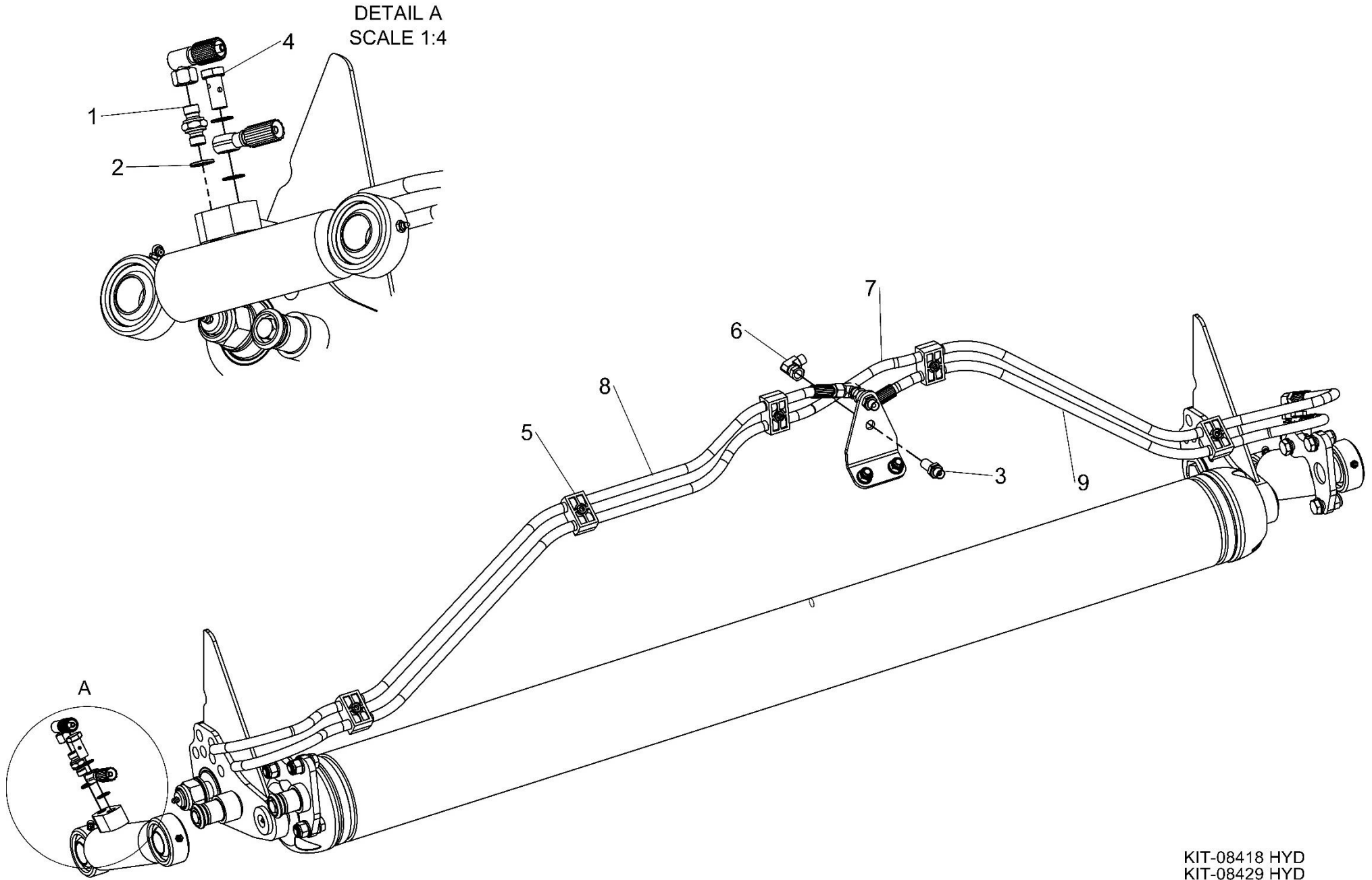
KIT-08418



**Shelbourne Reynolds Engineering Limited**

ASSY NUMBER: KIT-08418 HYD				ASSY DESCRIPTION: HYDRAULICS KIT FOR 1.5m HYD ROLLER			
ITEM	PART NO	DESCRIPTION	QTY	ITEM	PART NO	DESCRIPTION	QTY
1	HMA-0052	M/M ADAPTOR (1/4")	2				
2	WSH-1005	DOWTY WASHER (1/4")	2				
3	HBK-0010	BULKHEAD (1/4")	2				
4	HFAW50003	BANJO BOLT & SEALS (1/4")	2				
5	HCPD01400	HYD PIPE CLAMP	5				
6	HALAA0303	M/F COMPACT ELBOW (1/4")	3				
7	HHLC20705	HYD HOSE ASSY	1				
8	HHCC12105	HYD HOSE ASSY	1				
9	HHLC08105	HYD HOSE ASSY	1				





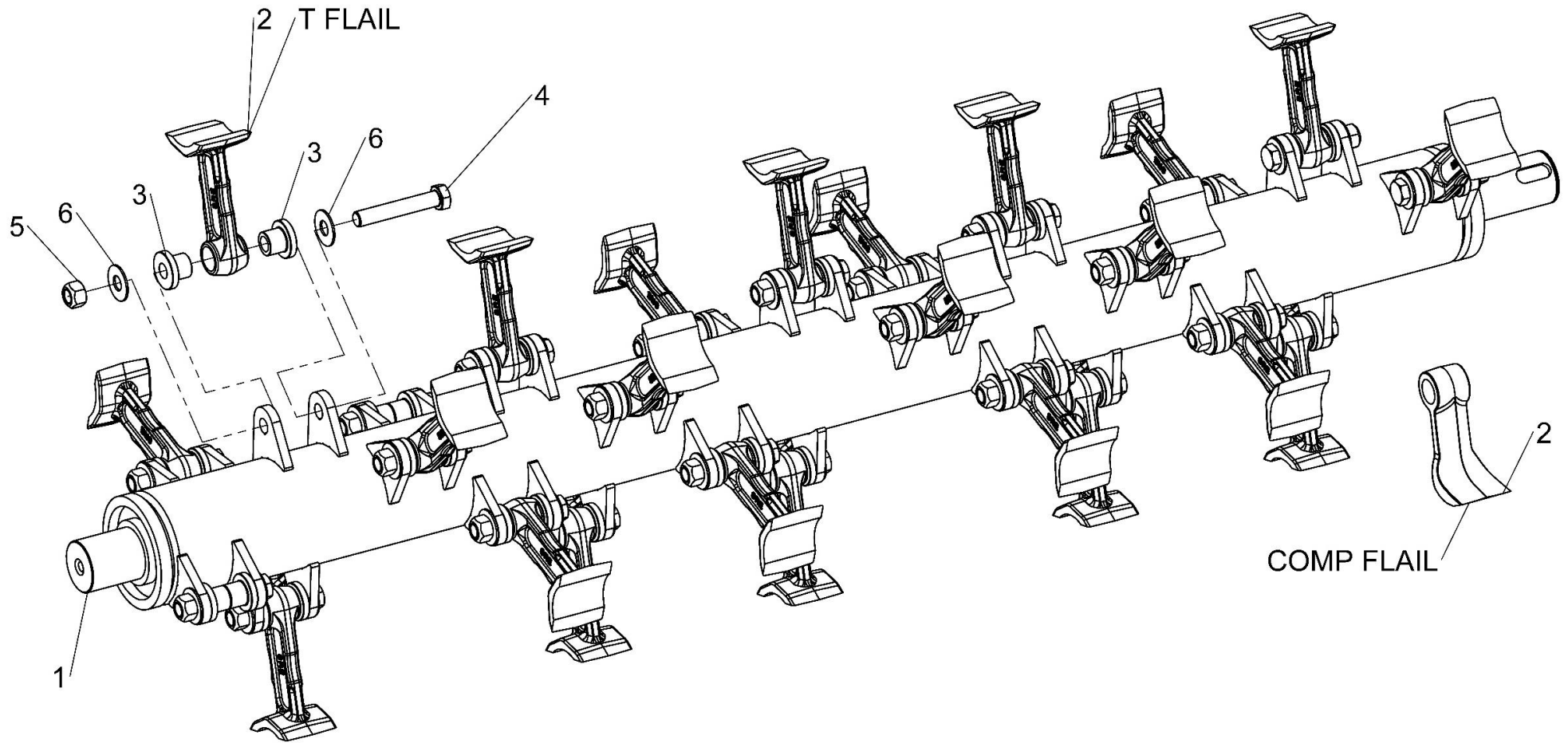
KIT-08418 HYD  
KIT-08429 HYD



## Shelbourne Reynolds Engineering Limited

ASSY NUMBER:		KIT-08423		ASSY DESCRIPTION:		GP1500 FLAIL ASSY	
ITEM	PART NO	DESCRIPTION	QTY	ITEM	PART NO	DESCRIPTION	QTY
1	806438 01	GP1500 ROTOR ASSY	1				
2	FLL-05005S	T FLAIL (DROP FORGED) (KIT-08423D)	30			FOR COMPLETE FLAIL ASSEMBLY	
OR	FLL-20000	COMP FLAIL (CAST) (KIT-08423C)	30			ORDER PART NO'S.:	
OR	FLL-20005S	COMP FLAIL (DROP FORGED)	30				
3	805046 01	SPACER	60			KIT-08423D - 1.5m T FLAILS	
4	BLTD16554	BOLT	30			(DROP FORGED)	
5	NUTF15162	STOVER NUT	30				
6	800274 01	BALANCE WEIGHT (20G)	AR			KIT-08423C - 1.5m COMPETITION	
OR	800274 02	BALANCE WEIGHT (30G)	AR			FLAILS (CAST)	
OR	800274 03	BALANCE WEIGHT (50G)	AR			KIT-08423E - 1.5m COMPETITION	
						FLAIL (DROP FORGED)	
						** <u>IMPORTANT</u> **	
						ENSURE BALANCE WEIGHTS ARE	
						NOT MOVED WHEN REPLACING	
						FLAILS.	
						EXACT POSITIONING IS CRITICAL	
						TO SMOOTH RUNNING	



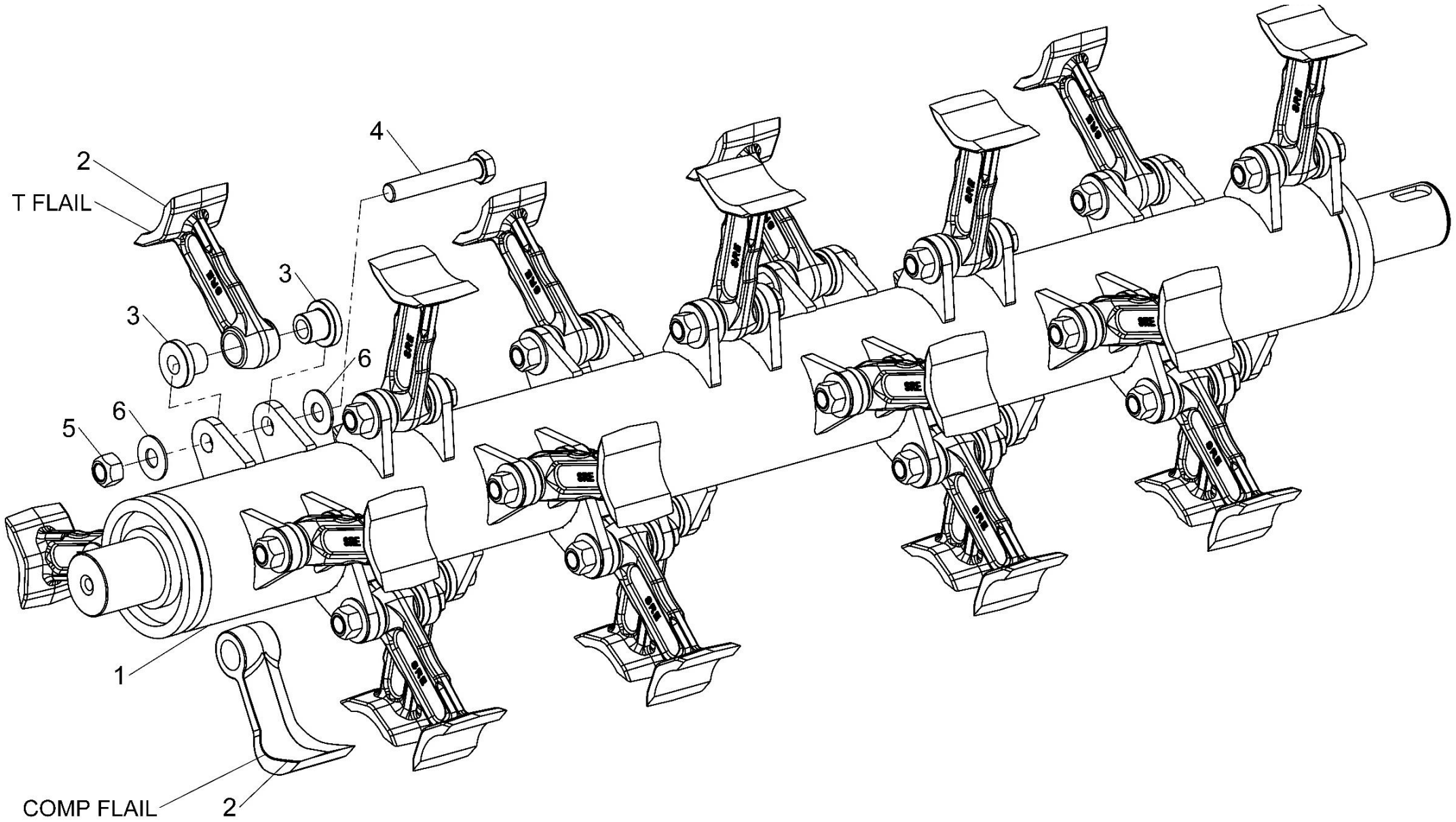


KIT-08423



## Shelbourne Reynolds Engineering Limited

ASSY NUMBER:		KIT-08426		ASSY DESCRIPTION:		GP1200 FLAIL ASSY	
ITEM	PART NO	DESCRIPTION	QTY	ITEM	PART NO	DESCRIPTION	QTY
1	806551 01	GP1200 ROTOR ASSY	1				
2	FLL-05005S	T FLAIL (DROP FORGED) (KIT-08426D)	24			FOR COMPLETE FLAIL ASSEMBLY	
OR	FLL-20000	COMP FLAIL (CAST) (KIT-08426C)	24			ORDER PART NO'S.:	
OR	FLL-20005S	COMP FLAIL (DROP FORGED)	24				
3	805046 01	SPACER	48			KIT-08426D - 1.2m T FLAILS	
4	BLTD16554	BOLT	24			(DROP FORGED)	
5	NUTF15162	STOVER NUT	24				
6	800274 01	BALANCE WEIGHT (20G)	AR			KIT-08426C - 1.2m COMPETITION	
OR	800274 02	BALANCE WEIGHT (30G)	AR			FLAILS (CAST)	
OR	800274 03	BALANCE WEIGHT (50G)	AR			KIT-08426E - 1.2m COMPETITION	
						FLAIL (DROP FORGED)	
						** <u>IMPORTANT</u> **	
						ENSURE BALANCE WEIGHTS ARE	
						NOT MOVED WHEN REPLACING	
						FLAILS.	
						EXACT POSITIONING IS CRITICAL	
						TO SMOOTH RUNNING	



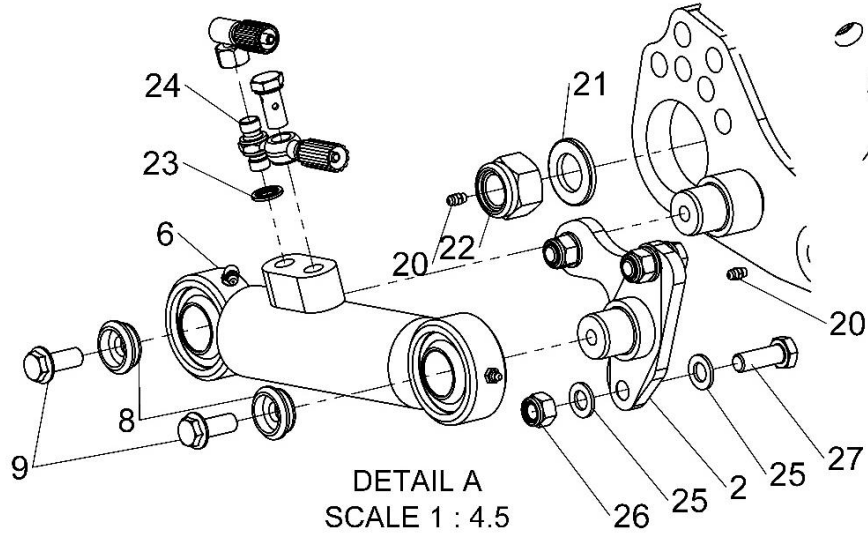
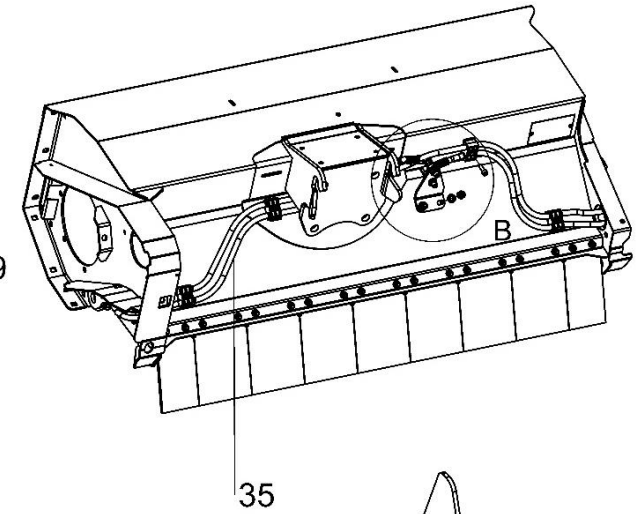
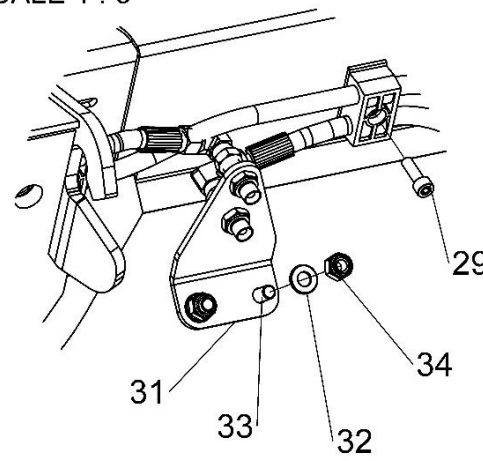
KIT-08426



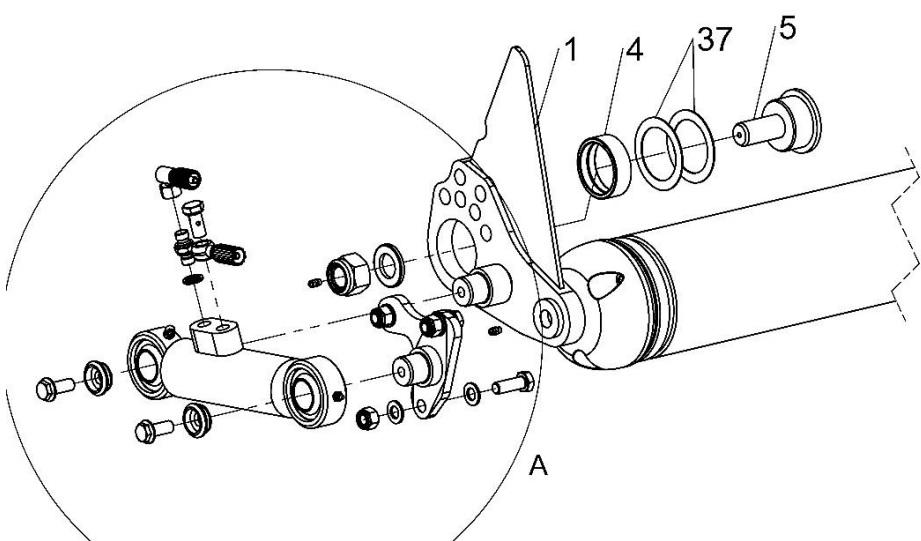
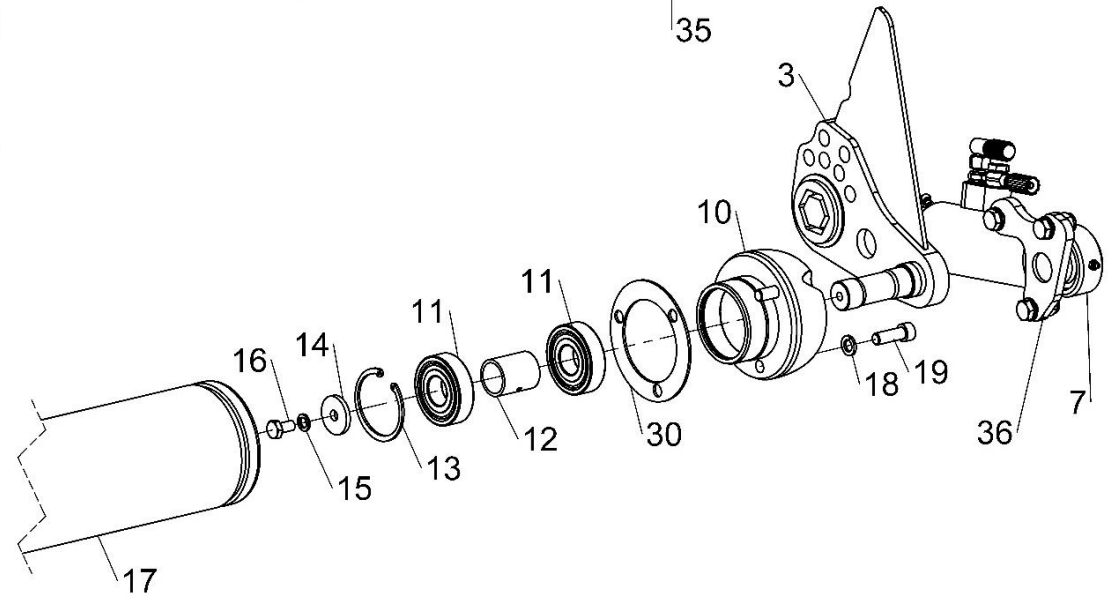
# Shelbourne Reynolds Engineering Limited

ASSY NUMBER: KIT-08429				ASSY DESCRIPTION: 1.2m ROLLER KIT			
ITEM	PART NO	DESCRIPTION	QTY	ITEM	PART NO	DESCRIPTION	QTY
1	806452 01	LH ADJUSTABLE BRACKET W/A	1				
2	807149 01	LH RAM MOUNT THD1X220226 & ON	1				
3	806452 02	RH ADJUSTABLE BRACKET W/A	1				
4	802667 01	BUSH	2				
5	804979 01	PIVOT STUB	2				
6	807396 01	CYLINDER LH 60OD TGP12220316 & ON	1				
OR	805782 01	CYLINDER LH 60OD UPTO TGP12220316	1				
7	807395 01	CYLINDER RH 70OD TGP12220316 & ON	1				
OR	805848 01	CYLINDER RH 70OD UPTO TGP12220316	1				
8	806139 01	DOME WASHER	4				
9	HSSF12204	BOLT	4				
10	805896 01	END CAP	2				
11	BRG-13005	BEARING	4				
12	801950 01	SPACER TUBE	2				
13	CIR-0720	CIRCLIP	2				
14	190548 01	RETAINING WASHER	2				
15	WSH-0061	SPRING WASHER	2				
16	HSS-0188	BOLT	2				
17	805933 02	ROLLER 1.2m	1				
18	WSH-0065	SPRING WASHER	6				
19	SCW-0245	CAP HEAD SCREW	6				
20	NIP-00600	GREASE NIPPLE	4				
21	WSH-0036	WASHER	2				
22	NUT-0275	NYLOC NUT	2				
23	WSH-1005	DOWTY WASHER	2				
24	HMA-0052	ADAPTOR	4				
25	WSH-0018	WASHER	12				
26	NUT-0269	NYLOC NUT	6				
27	HSS-0241	BOLT	6				
28							
29	SCW-0136	BOLT	5				
30	806576 01	ROLLER SHIM	2				
31	806696 01	BULKHEAD BRKT	1				
32	WSH-0015	WASHER	2				
33	HSS-0191	SETSCREW	2				
34	NUT-0265	NUT	2				
35	KIT-08429 HYD	HYD ROLLER HYD KIT	1				
36	807149 02	RH RAM MOUNT THD1X220226 & ON	1				
37	802673 01	SHIM	4				

DETAIL D  
SCALE 1 : 5



DETAIL A  
SCALE 1 : 4.5



A

KIT-08429

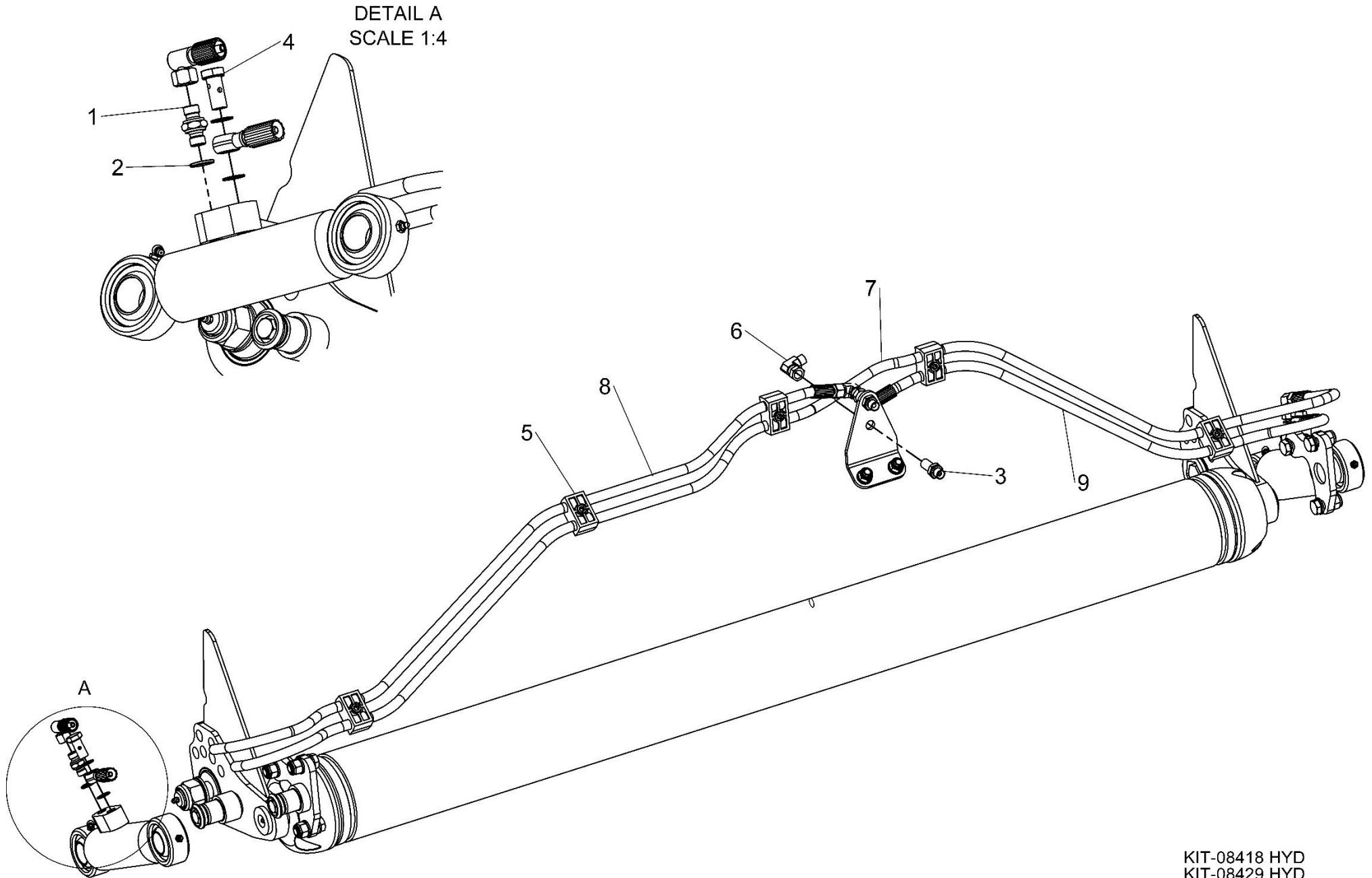


**Shelbourne Reynolds Engineering Limited**

ASSY NUMBER: KIT-08429 HYD				ASSY DESCRIPTION: HYDRAULICS KIT FOR 1.2m HYD ROLLER			
ITEM	PART NO	DESCRIPTION	QTY	ITEM	PART NO	DESCRIPTION	QTY
1	HMA-0052	M/M ADAPTOR (1/4")	2				
2	WSH-1005	DOWTY WASHER (1/4")	2				
3	HBK-0010	BULKHEAD (1/4")	2				
4	HFAW50003	BANJO BOLT & SEALS (1/4")	2				
5	HCPD01400	HYD PIPE CLAMP	5				
6	HALAA0303	M/F COMPACT ELBOW (1/4")	3				
7	HHLC18705	HYD HOSE ASSY	1				
8	HHCC11505	HYD HOSE ASSY	1				
9	HHLC07005	HYD HOSE ASSY	1				



DETAIL A  
SCALE 1:4



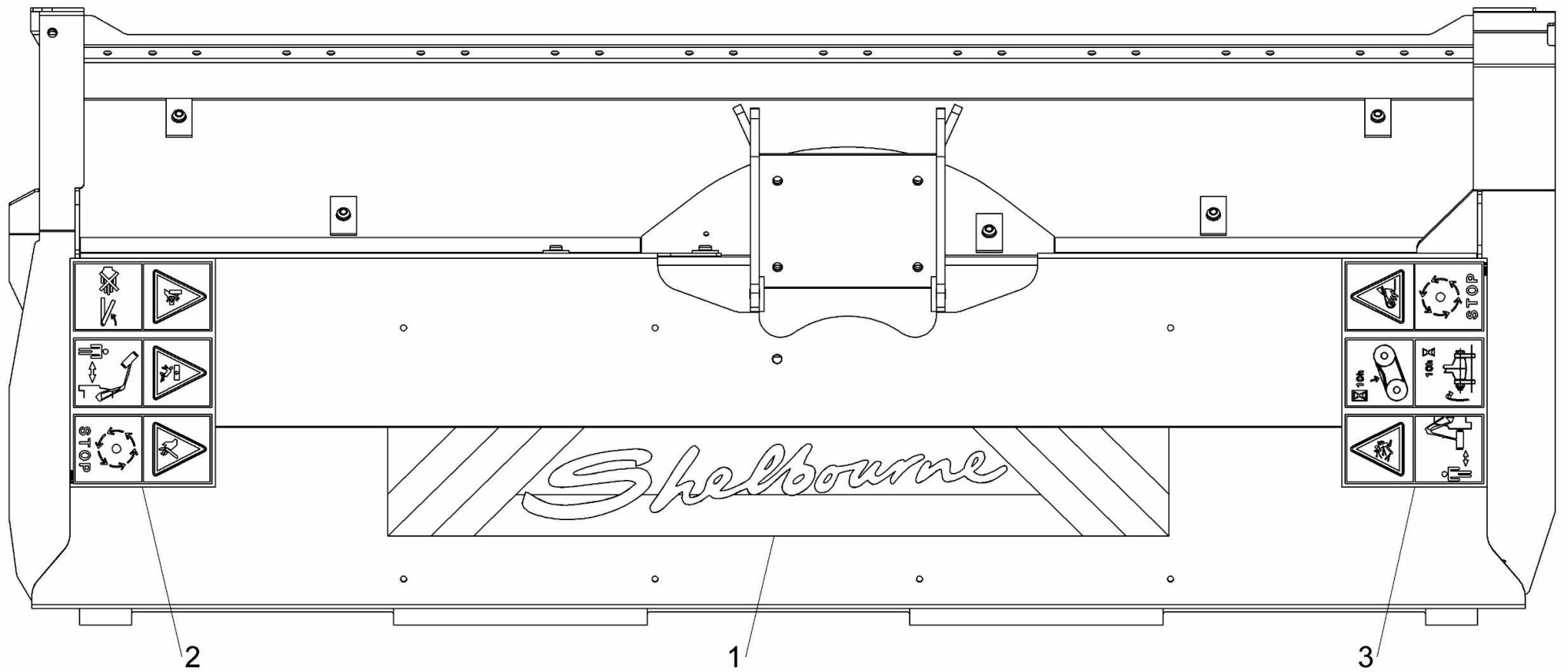
KIT-08418 HYD  
KIT-08429 HYD



# Shelbourne Reynolds Engineering Limited

ASSY NUMBER: KIT-08432				ASSY DESCRIPTION: GP HEAD TRANSFER KIT UPTO MID 2021			
ITEM	PART NO	DESCRIPTION	QTY	ITEM	PART NO	DESCRIPTION	QTY
1	805391 01	SHELBOURNE TRANSFER HD	1				
2	805600 01	MULTI TRANSFER	1				
3	805601 01	MULTI TRANSFER	1				



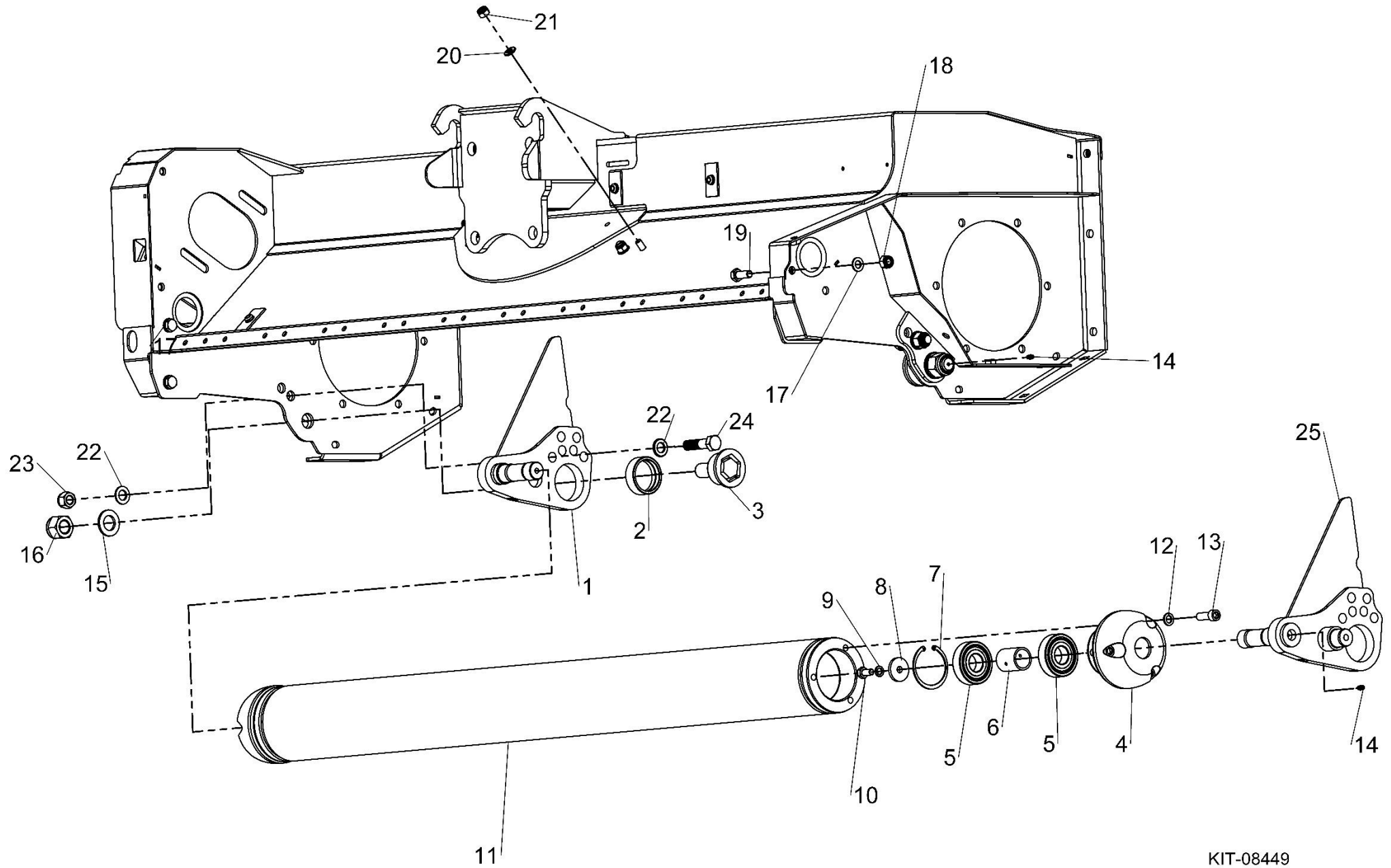


KIT-08432



## Shelbourne Reynolds Engineering Limited

ASSY NUMBER: KIT-08449				ASSY DESCRIPTION: GP1500 BOLT UP ROLLER KIT			
ITEM	PART NO	DESCRIPTION	QTY	ITEM	PART NO	DESCRIPTION	QTY
1	806452 01	LH ADJUSTABLE BRACKET W/A	1				
2	802667 01	BUSH	2				
3	804979 01	PIVOT STUB	2				
4	805896 01	END CAP	2				
5	BRG-13005	BEARING	4				
6	801950 01	SPACER TUBE	2				
7	CIR-0720	CIRCLIP	2				
8	190548 01	RETAINING WASHER	2				
9	WSH-0061	SPRING WASHER	2				
10	HSS-0188	BOLT	4				
11	805933 03	ROLLER 1.5m	1				
12	WSH-0065	SPRING WASHER	6				
13	SCW-0245	CAP HEAD SCREW	6				
14	NIP-00600	GREASE NIPPLE	4				
15	WSH-0036	WASHER	2				
16	NUT-0275	NYLOC NUT	2				
17	WSH-0018	WASHER	8				
18	NUT-0269	NYLOC NUT	4				
19	HSS-0238	BOLT	4				
20	WSH-0015	WASHER	2				
21	NUT-0265	NUT	2				
22	WSH-0024	WASHER	4				
23	NUT-0271	NUT	2				
24	BLT-2313	BOLT	2				
25	806452 02	RH ADJUSTABLE BRACKET W/A	1				

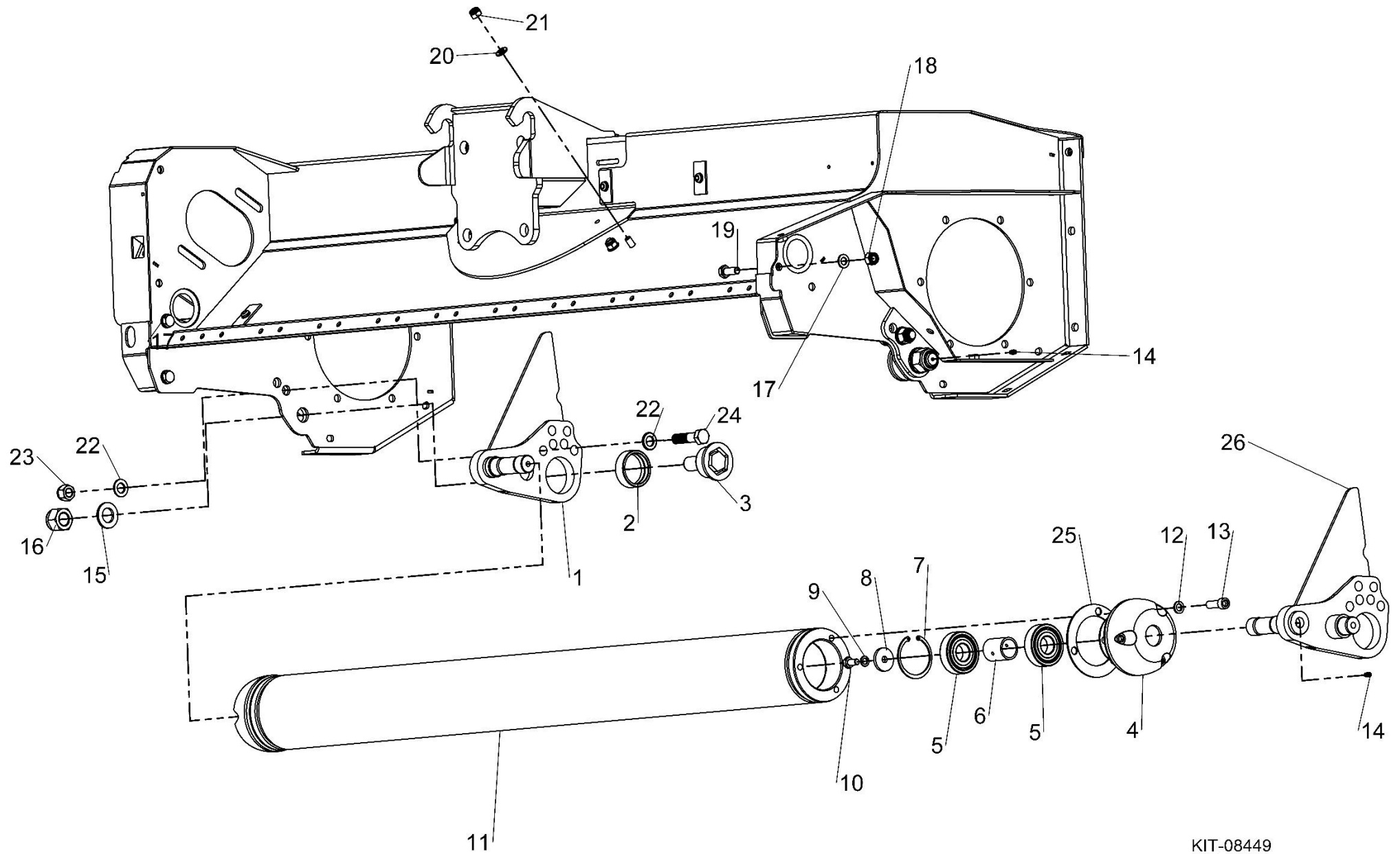


KIT-08449  
KIT-08450



# Shelbourne Reynolds Engineering Limited

ASSY NUMBER: KIT-08450				ASSY DESCRIPTION: GP1200 BOLT UP ROLLER KIT			
ITEM	PART NO	DESCRIPTION	QTY	ITEM	PART NO	DESCRIPTION	QTY
1	806452 01	LH ADJUSTABLE BRACKET W/A	1				
2	802667 01	BUSH	2				
3	804979 01	PIVOT STUB	2				
4	805896 01	END CAP	2				
5	BRG-13005	BEARING	4				
6	801950 01	SPACER TUBE	2				
7	CIR-0720	CIRCLIP	2				
8	190548 01	RETAINING WASHER	2				
9	WSH-0061	SPRING WASHER	2				
10	HSS-0188	BOLT	4				
11	805933 02	ROLLER 1.2m	1				
12	WSH-0065	SPRING WASHER	6				
13	SCW-0245	CAP HEAD SCREW	6				
14	NIP-00600	GREASE NIPPLE	4				
15	WSH-0036	WASHER	2				
16	NUT-0275	NYLOC NUT	2				
17	WSH-0018	WASHER	8				
18	NUT-0269	NYLOC NUT	4				
19	HSS-0238	BOLT	4				
20	WSH-0015	WASHER	2				
21	NUT-0265	NUT	2				
22	WSH-0024	WASHER	4				
23	NUT-0271	NUT	2				
24	BLT-2313	BOLT	2				
25	806576 01	ROLLER SHIM	2				
26	806452 02	RH ADJUSTABLE BRACKET W/A	1				

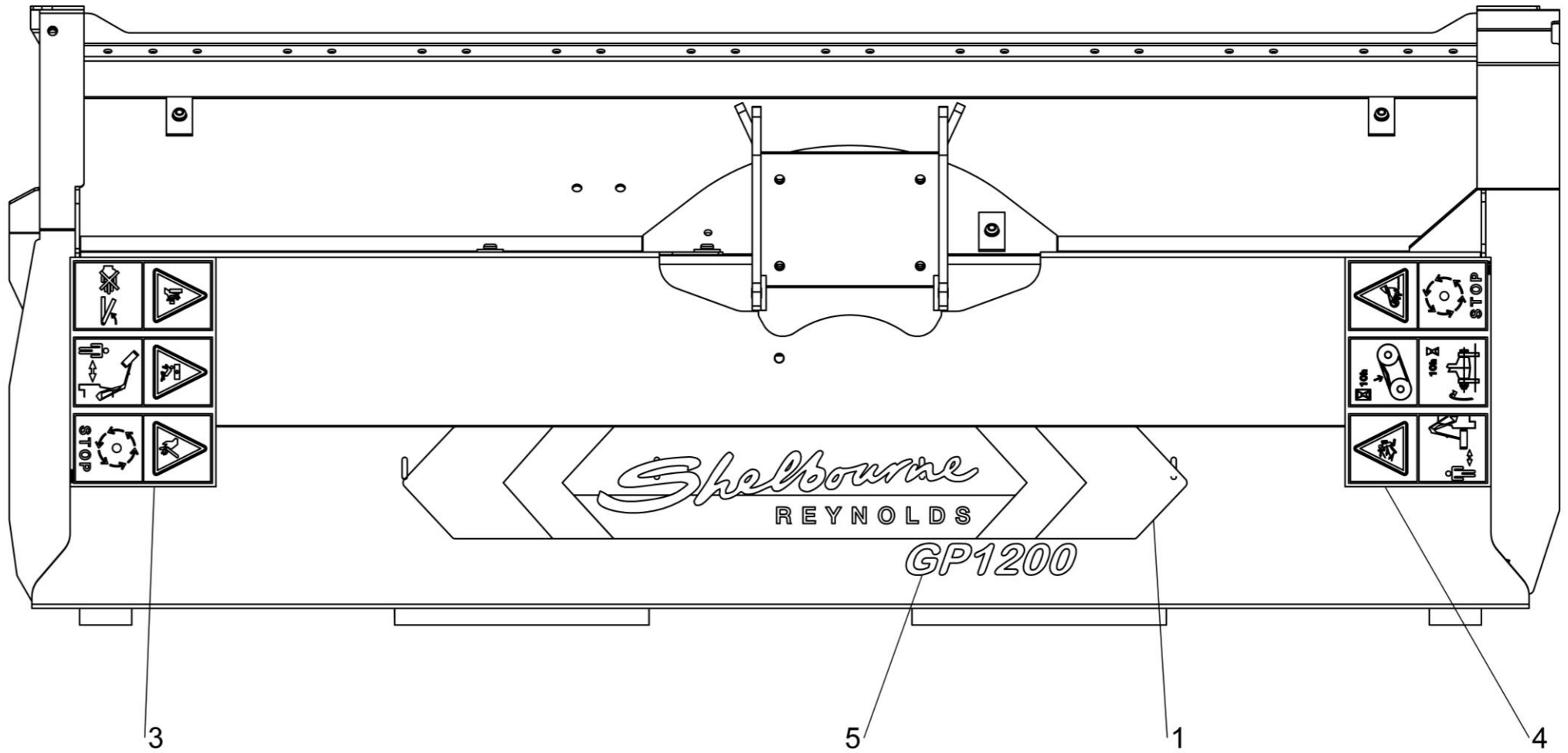


KIT-08449  
KIT-08450



## Shelbourne Reynolds Engineering Limited

ASSY NUMBER: KIT-08497				ASSY DESCRIPTION: GP HEAD TRANSFERS (Mid 2021 & ON)			
ITEM	PART NO	DESCRIPTION	QTY	ITEM	PART NO	DESCRIPTION	QTY
1	806786 01	SHELBOURNE TRANSFER HD	1				
2							
3	805600 01	MULTI TRANSFER	1				
4	805601 01	MULTI TRANSFER	1				
5	807037 01	GP1200 HEAD TRANSFER	1				
OR	807037 02	GP1500 HEAD TRANSFER	1				
					KIT-08497	GP1200 HEAD TRANSFERS	
					KIT-08497A	GP1500 HEAD TRANSFERS	



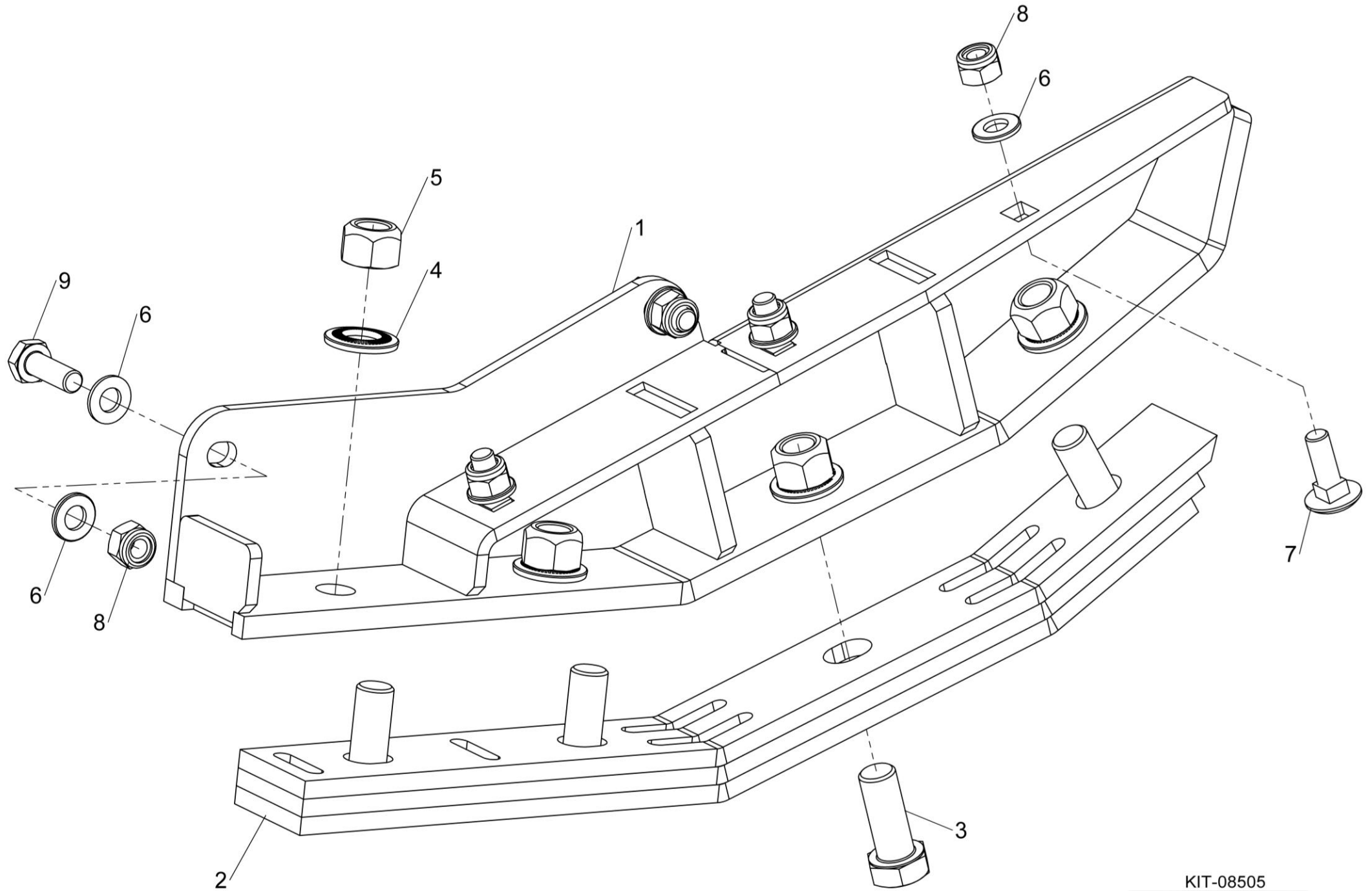
KIT-08497



**Shelbourne Reynolds Engineering Limited**

ASSY NUMBER: KIT-08505				ASSY DESCRIPTION: GP HEAD RH VERGE SKID KIT			
ITEM	PART NO	DESCRIPTION	QTY	ITEM	PART NO	DESCRIPTION	QTY
1	807125 01	GP RH SIDE VERGE SKID W/A	1				
2	805186 01	SKID RUNNER	1				
3	HSS-0316	HEX HEAD SETSCREW	4				
4	WSHA30161	LOCK WASHER	4				
5	NUTA15162	STOVER NUT	4				
6	WSH-0015	PLAIN WASHER	7				
7	BLT-3750	COACH BOLT	3				
8	NUT-0265	NYLOC NUT	5				
9	HSS-0194	HEX HEAD SETSCREW	2				





KIT-08505

