

Shelbourne

REYNOLDS

HC HEAD

PARTS MANUAL 2019 ONWARDS

POWERBLADE



Shelbourne Reynolds Engineering Ltd
 Stanton
 Bury St Edmunds
 Suffolk
 IP31 2AR
 England

Telephone: 01359 250415
 Fax: 01359 250464

Stores Direct : 01359 251231
 Stores Direct: 01359 252031

Issue 10 07/11/2023

www.shelbourne.com



 YouTube

IMPORTANT

Your Trimmer is made up of a Machine assembly number (common parts), specific sub assemblies and also customer optional build kits. The machine, sub assemblies and optional kit numbers are listed in the front pages of your Operators manual, part no. MAN-10109. If you do not have these numbers please contact Shelbourne Reynolds Parts Department direct on (telephone) 01359 251231.

To ensure that you order the correct part from your SRE dealer please use the following procedure.

ALWAYS QUOTE THE MACHINE AND SERIAL NUMBERS WHEN ORDERING.

Refer to the Parts Manuals front page/s, listing the machine assemblies. Select the correct machine assembly number which is printed in the top left corner of the page (starting with 8099_ _ 01). This machine number can also be taken off the Trimmer identification plate located on the front of the main chassis beam.

On this page you will find the parts listing for the common parts for every configuration of that machine assembly number. You will find the corresponding drawing by either looking at the facing page or progressing through the manual to the next drawing. The drawings indicate the components by item numbers, which you will find, are repeated in the left-hand side of your parts listing, and therefore referring to the correct part.

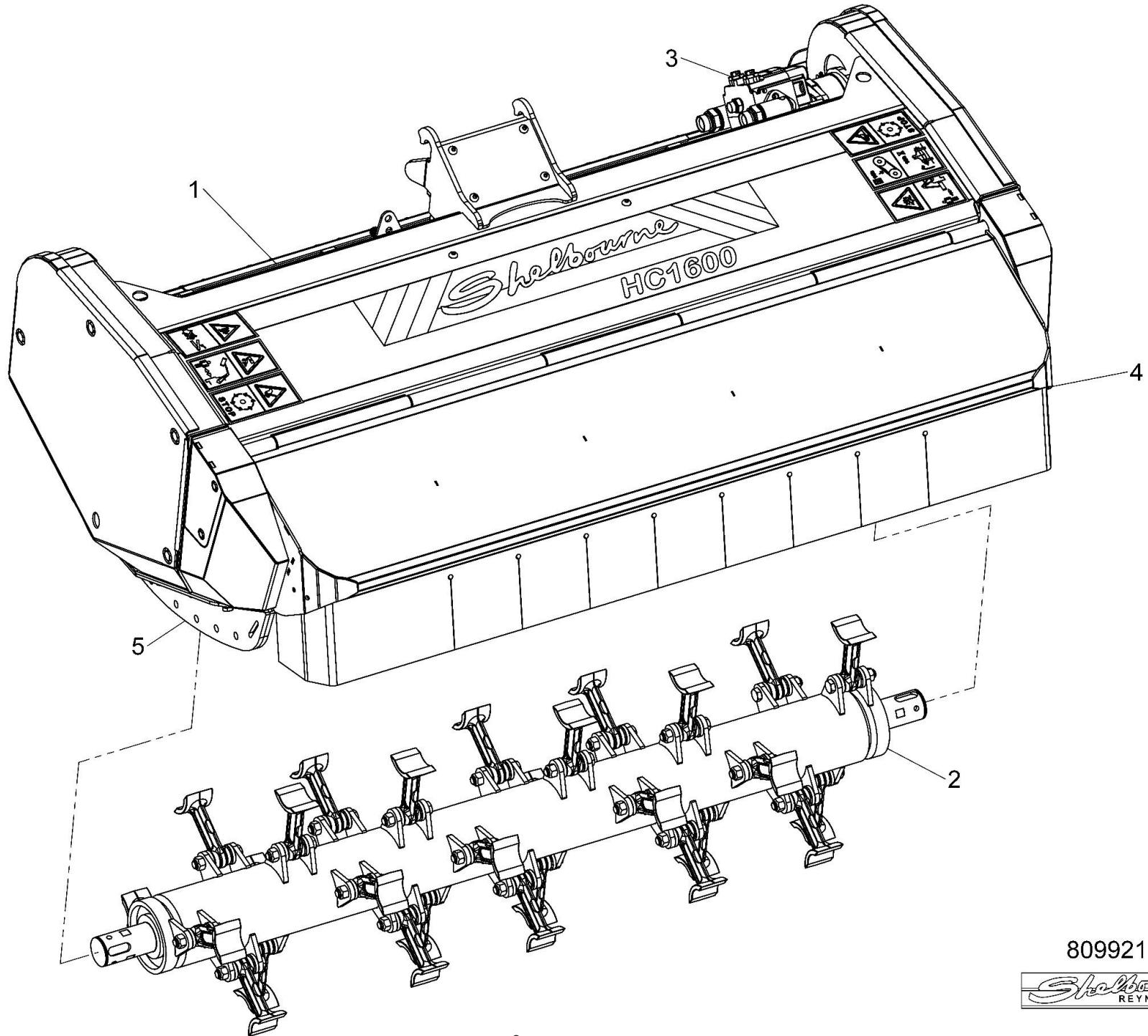
Note all parts will not be found listed below the machine number. Other parts will be from specific sub assemblies and optional kits. These sub assemblies and kits will be found in numerical order further through the manual. Sub assemblies start with 8090_ _ 01 and kits start with KIT- 08_ _ _ .

List Of Kit Numbers

809921 01	HC1600 Head Assembly (2019 Onwards)	1
809922 01	HC1200 Head Assembly (2019 Onwards)	3
KIT-08309	Skid Kit (Large)	5
KIT-08310	Skid Kit (Small)	7
KIT-08311	Head Standard Power Kit	9
KIT-08312	Head High Power Kit	11
KIT-08314	HC1600 Head Transfers (Upto Mid 2021)	13
KIT-08327	Skid Kit (Medium)	15
KIT-08329	1.2m Flail Assembly	17
KIT-08335	HC1200 Head Transfers (Upto Mid 2020)	19
KIT-08337	Head Mount (Upto 2020)	21
KIT-08346	1.6m Nose Kit (Upto THC16210183)	23
KIT-08347	1.6m Adjustable Nose Hydraulic Kit (Upto THC16210183)	25
KIT-08359	1.6m Flail Assembly	27
KIT-08367	Roller Linkage Kit	29
KIT-08368	1.6m Head Shell Sub Assy (Upto THC16210183)	31
KIT-08381	Flail Mounting And Drive Assembly	33
KIT-08384	Hydraulic Hose For Adjustable Roller Kit	35
KIT-08389	1.2m Head Shell Sub Assembly (Upto THC12210183)	37
KIT-08391	1.2m Nose Kit (Upto THC12210183)	39
KIT-08392	1.2m Adjustable Nose Hydraulic Kit (Upto THC12210183)	41
KIT-08398	Flail Assembly (1.2m 30 Flail)	43
KIT-08475	1.6m Nose Kit (THC16210184 To THC1X220344)	45
KIT-08476	1.6m Head Shell Sub Assembly (THC16210184 And On)	47
KIT-08477	1.2m Nose Kit (THC12210184 To THC1X220344)	49
KIT-08478	1.2m Head Shell Sub Assembly (THC12210184 & ON)	51
KIT-08493	HC1600 Nose Hydraulic Kit (THC16210184 And On)	53
KIT-08494	HC1200 Nose Hydraulic Kit (THC12210184 And On)	55
KIT-08496	HC Head Transfers	57
KIT-08504	HC Head RH Verge Skid Kit	59
KIT-08514	HYD Nose Kit 1.6m (THC1X220345 And On)	61
KIT-08515	HYD Nose Kit 1.2m (THC1X220345 And On)	63

Shelbourne Reynolds Engineering Limited

ASSY NUMBER: 809921 01				ASSY DESCRIPTION: HC1600 HEAD ASSY (2019 ONWARDS)			
ITEM	PART NO	DESCRIPTION	QTY	ITEM	PART NO	DESCRIPTION	QTY
1	KIT-08476	1.6m HEAD ASSY (THC16210184 & ON)	1				
OR	KIT-08368	1.6m HEAD ASSY (UPTO THC16210183)	1				
2	KIT-08359D	T FLAIL ASSY (DROP FORGED)	1				
OR	KIT-08359E	COMP FLAIL ASSY (DROP FORGED)	1				
OR	KIT-08359A	T FLAIL ASSY (CAST)	1				
OR	KIT-08359C	COMP FLAIL ASSY (CAST)	1				
3	KIT-08381	LEFT HAND FLAIL MTG. & DRIVE	1				
OR	KIT-08381A	RIGHT HAND FLAIL MTG. & DRIVE	1				
4	KIT-08514	1.6m NOSE KIT (THC1X220345 & ON)	1				
OR	KIT-08475	1.6m NOSE KIT (THC16210184 TO 0344)	1				
OR	KIT-08346	1.6m NOSE KIT (UPTO THC16210183)	1				
5	KIT-08327	SKID KIT (MEDIUM)	1				
OR	KIT-08310	SKID KIT (SMALL)	1				
OR	KIT-08309	SKID KIT (LARGE)	1				



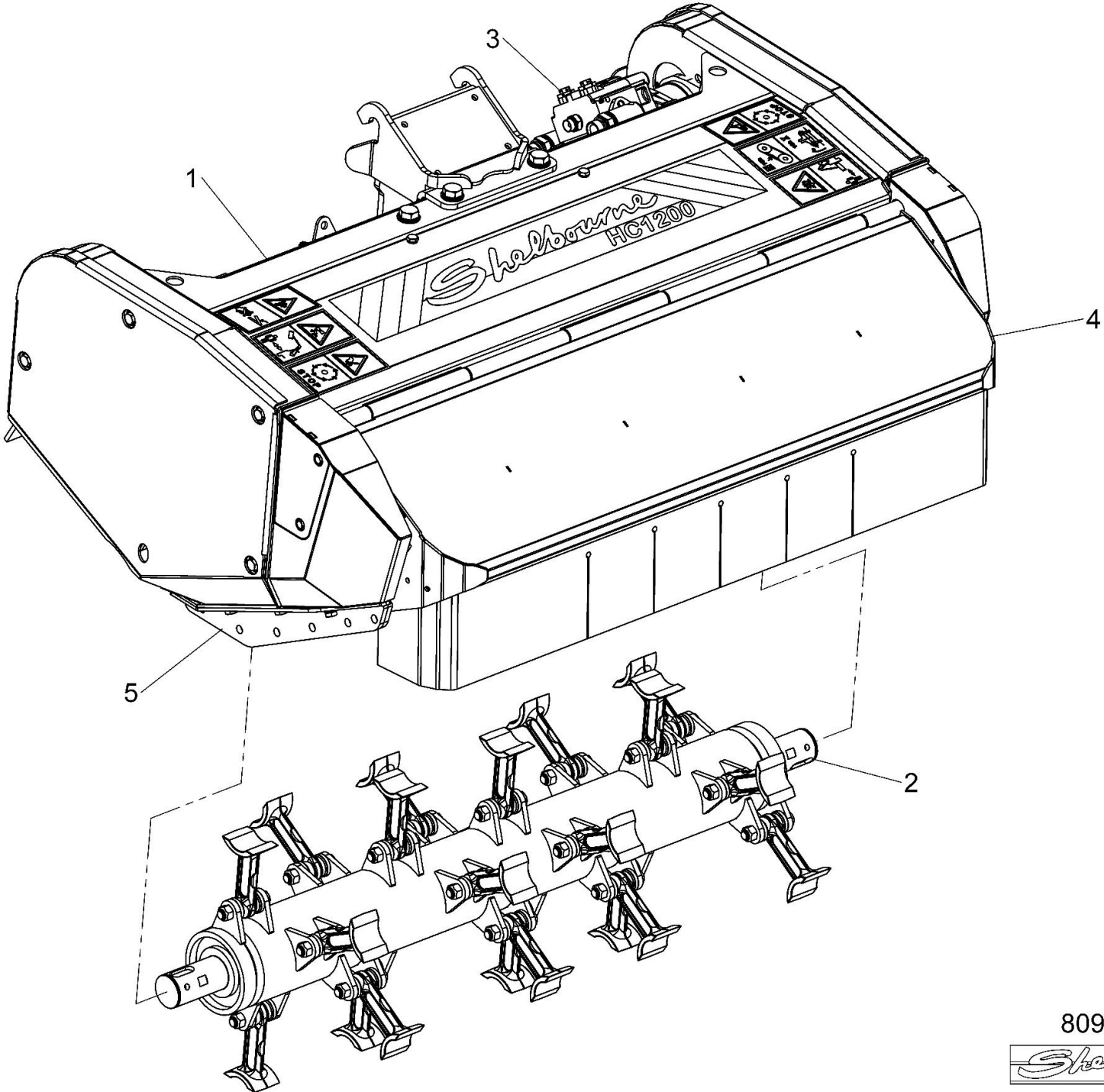
809921 01



Shelbourne Reynolds Engineering Limited

ASSY NUMBER: 809922 01				ASSY DESCRIPTION: HC1200 HEAD ASSY (2019 ONWARDS)			
ITEM	PART NO	DESCRIPTION	QTY	ITEM	PART NO	DESCRIPTION	QTY
1	KIT-08478	1.2m HEAD ASSY (THC12210184 & ON)	1				
OR	KIT-08389	1.2m HEAD ASSY (UPTO THC12210183)	1				
2	KIT-08398	T FLAIL ASSY(FORGED) 2023 & ON	1				
OR	KIT-08398E	COMP FLAIL ASSY(FORGED) 2023 & ON	1				
OR	KIT-08398A	T FLAIL ASSY (CAST) 2023 & ON	1				
OR	KIT-08398C	COMP FLAIL ASSY (CAST) 2023 & ON	1				
OR	KIT-08329D	T FLAIL ASSY(FORGED) UPTO 2023	1				
OR	KIT-08329E	COMP FLAIL ASSY(FORGED) UPTO 2023	1				
OR	KIT-08329A	T FLAIL ASSY (CAST) UPTO 2023	1				
OR	KIT-08329C	COMP FLAIL ASSY (CAST) UPTO 2023	1				
3	KIT-08381	LEFT HAND FLAIL MTG.& DRIVE	1				
OR	KIT-08381A	RIGHT HAND FLAIL MTG.& DRIVE	1				
4	KIT-08515	1.2m NOSE KIT (THC1X220345 & ON)	1				
OR	KIT-08477	1.2m NOSE KIT (THC12210184 - 0344)	1				
OR	KIT-08391	1.2m NOSE KIT (UPTO THC12210183)	1				
5	KIT-08327	SKID KIT (MEDIUM)	1				
OR	KIT-08310	SKID KIT (SMALL)	1				
OR	KIT-08309	SKID KIT (LARGE)	1				

Shelbourne Reynolds Engineering Limited

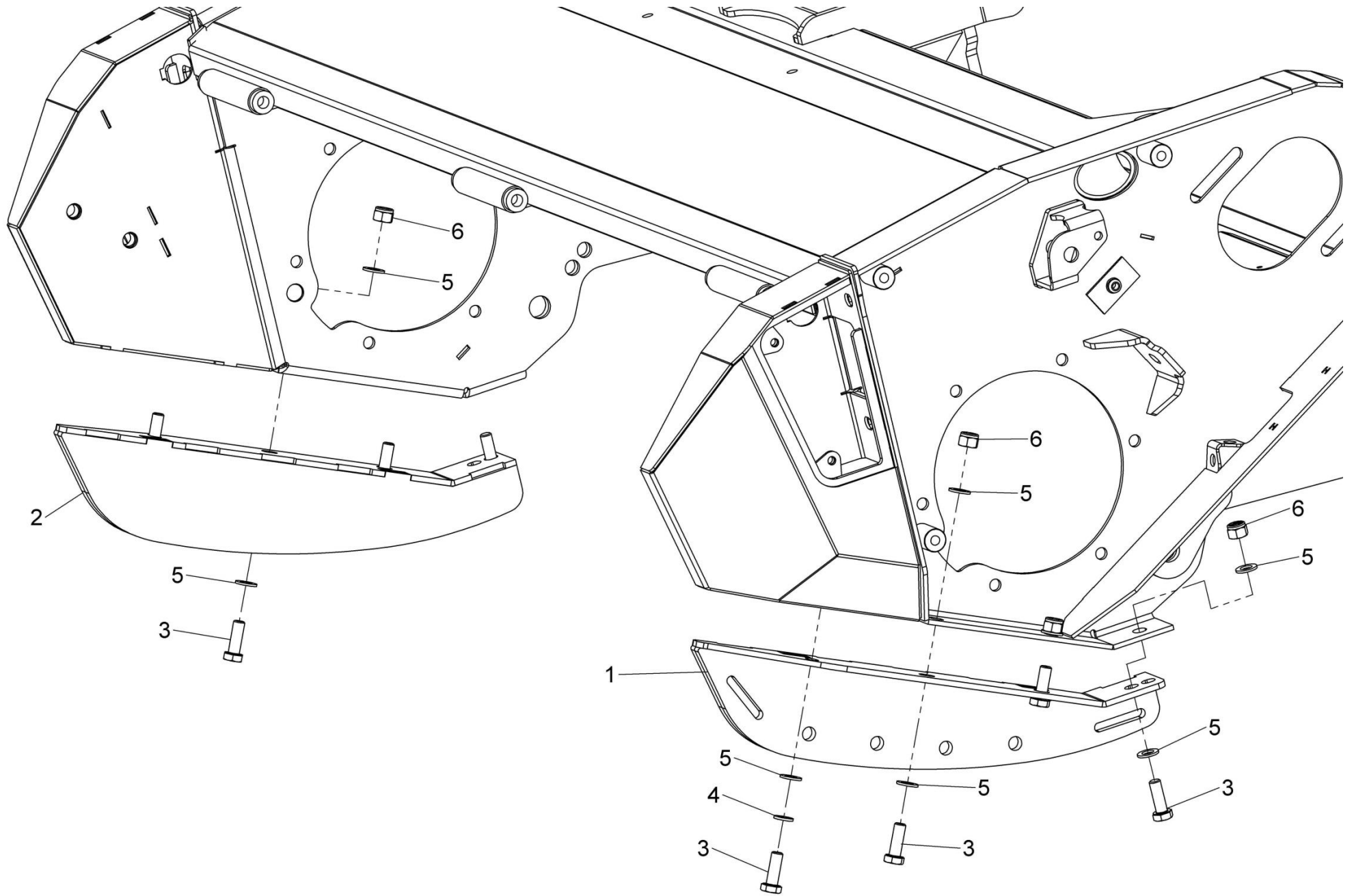


809922 01



Shelbourne Reynolds Engineering Limited

ASSY NUMBER: KIT-08309				ASSY DESCRIPTION: SKID KIT (LARGE)			
ITEM	PART NO	DESCRIPTION	QTY	ITEM	PART NO	DESCRIPTION	QTY
1	805119 01	LH SKID W/A	1				
2	805119 02	RH SKID W/A	1				
3	HSS-0241	BOLT	8				
4	WSH-0065	SPRING WASHER	2				
5	WSH-0018	WASHER	14				
6	NUT-0269	NYLOC NUT	6				

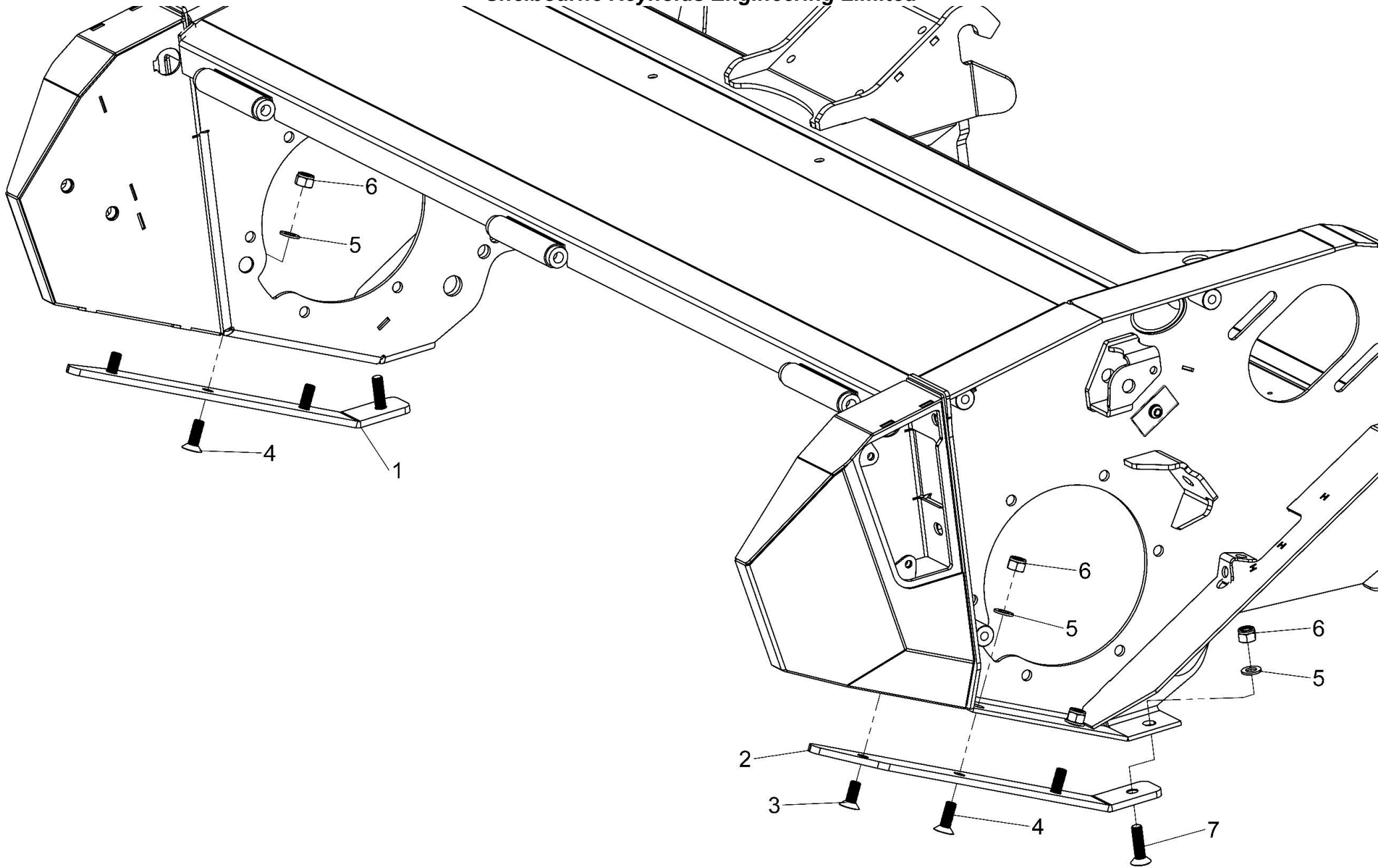


KIT-08309



Shelbourne Reynolds Engineering Limited

ASSY NUMBER: KIT-08310				ASSY DESCRIPTION: SKID KIT (SMALL)			
ITEM	PART NO	DESCRIPTION	QTY	ITEM	PART NO	DESCRIPTION	QTY
1	805114 01	RH SKID	1				
2	805114 02	LH SKID	1				
3	SCW-1950	COUNTERSUNK SCREW	2				
4	SCW-1955	COUNTERSUNK SCREW	4				
5	WSH-0018	WASHER	6				
6	NUT-0269	NYLOC NUT	6				
7	SCW-1960	COUNTERSUNK SCREW	2				

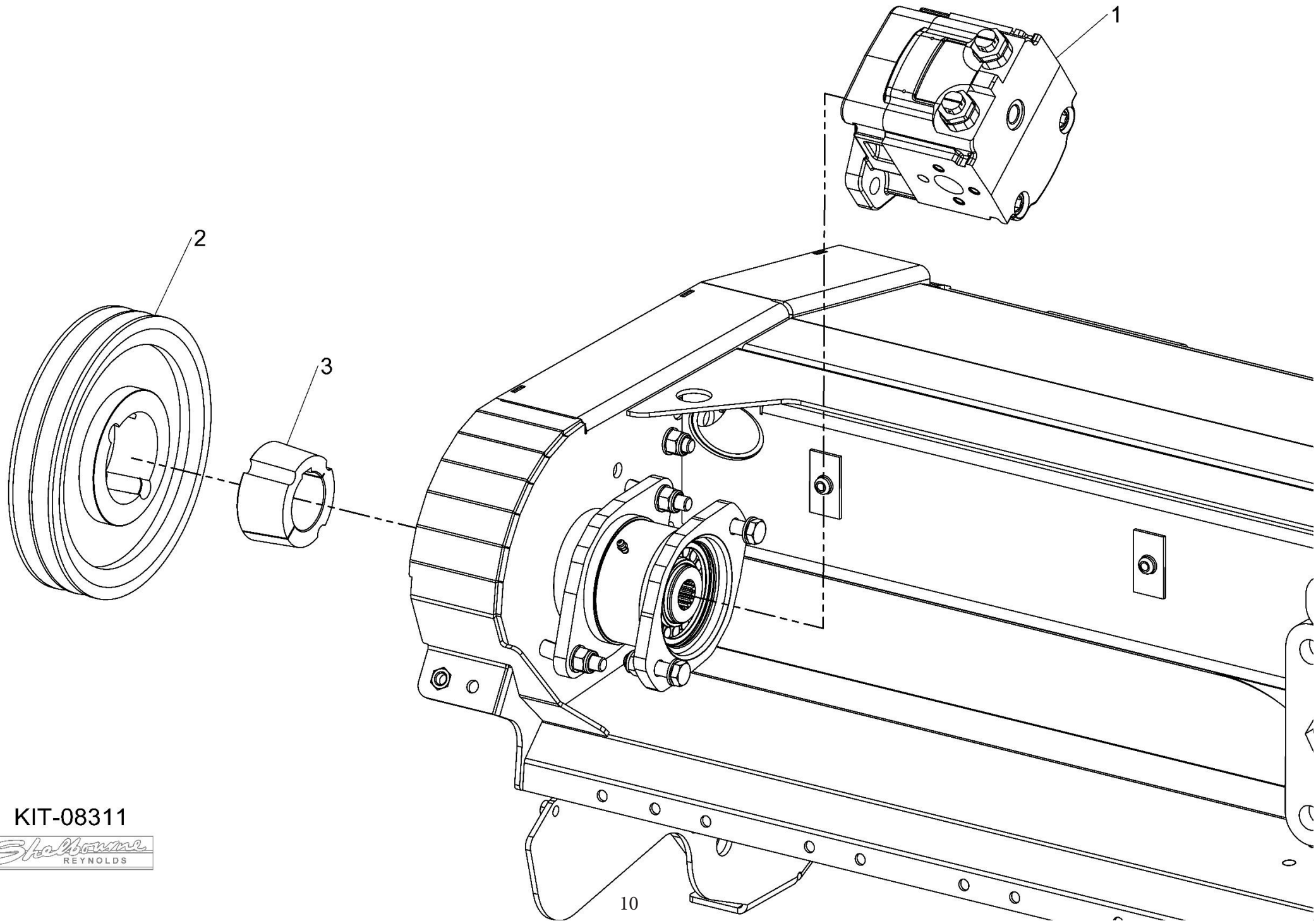


KIT-08310



Shelbourne Reynolds Engineering Limited

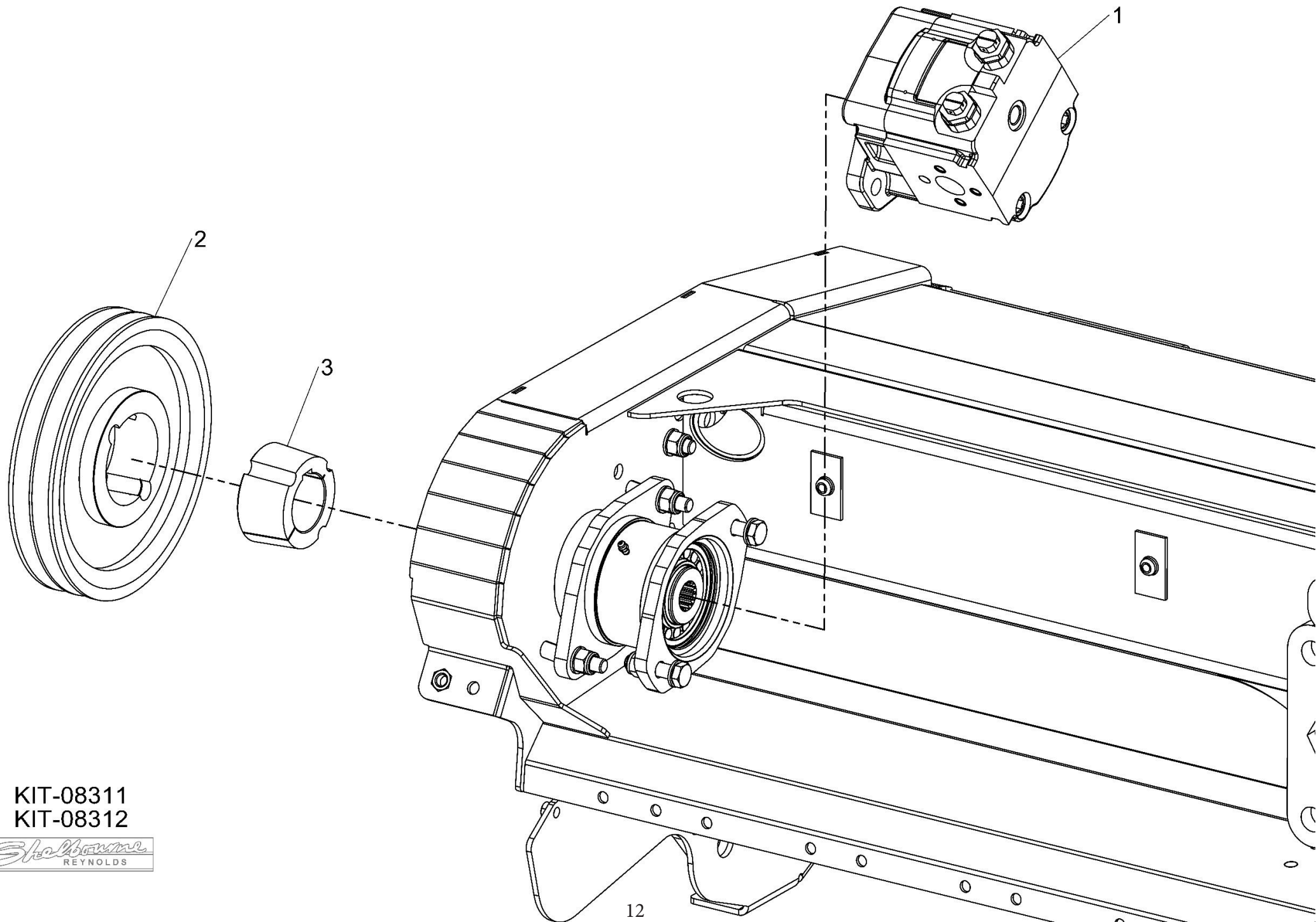
ASSY NUMBER: KIT-08311				ASSY DESCRIPTION: HEAD STANDARD POWER KIT			
ITEM	PART NO	DESCRIPTION	QTY	ITEM	PART NO	DESCRIPTION	QTY
1	MOTH03900	HYDRAULIC MOTOR	1				
1A	MOTS03901	DRIVE SHAFT	-				
1B	HMS-03900	MOTOR SEAL KIT	-				
2	PUL-0110	PULLEY	1				
3	BSHZ05063	BUSH	1				



KIT-08311

Shelbourne Reynolds Engineering Limited

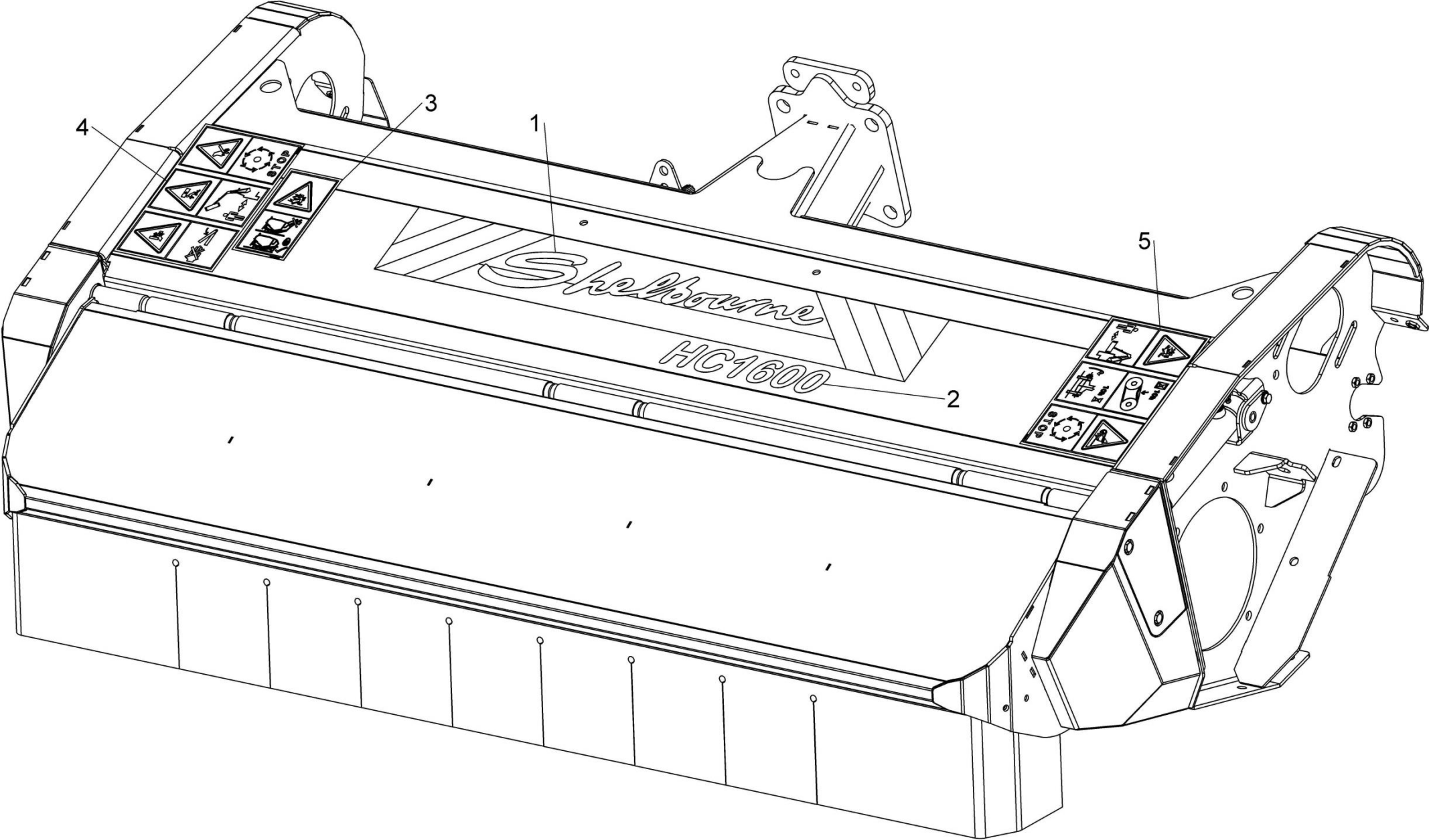
ASSY NUMBER: KIT-08312				ASSY DESCRIPTION: HEAD HIGH POWER KIT			
ITEM	PART NO	DESCRIPTION	QTY	ITEM	PART NO	DESCRIPTION	QTY
1	MOTH04300	HYDRAULIC MOTOR	1				
1A	MOTS04301	DRIVE SHAFT	-				
1B	HMS-04300	MOTOR SEAL KIT	-				
2	PUL-0105	PULLEY	1				
3	BSHZ05063	BUSH	1				



KIT-08311
KIT-08312

Shelbourne Reynolds Engineering Limited

ASSY NUMBER: KIT-08314				ASSY DESCRIPTION: HC1600 HEAD TRANSFERS			
ITEM	PART NO	DESCRIPTION	QTY	ITEM	PART NO	DESCRIPTION	QTY
1	805391 01	SHELBOURNE TRANSFER HD	1				
2	805193 01	HEAD ID TRANSFER HC1600	1				
3	805472 01	TRANSFER (FLY OBJECTS)	1				
4	805600 01	MULTI TRANSFER	1				
5	805601 01	MULTI TRANSFER	1				

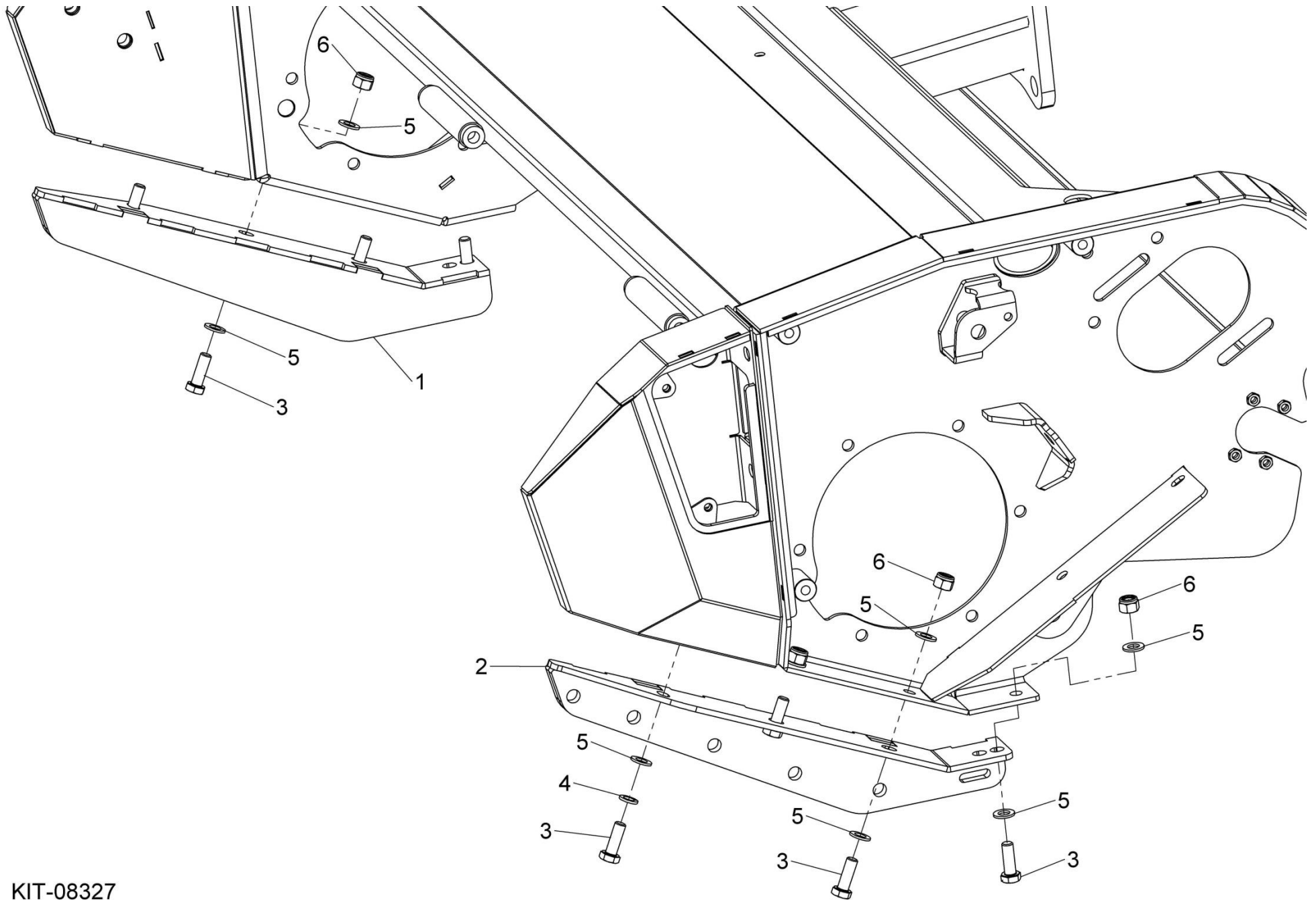


KIT-08314



Shelbourne Reynolds Engineering Limited

ASSY NUMBER: KIT-08327				ASSY DESCRIPTION: SKID KIT (MEDIUM)			
ITEM	PART NO	DESCRIPTION	QTY	ITEM	PART NO	DESCRIPTION	QTY
1	805317 01	LH SKID W/A	1				
2	805317 02	RH SKID W/A	1				
3	HSS-0241	BOLT	8				
4	WSH-0065	SPRING WASHER	2				
5	WSH-0018	WASHER	14				
6	NUT-0269	NYLOC NUT	6				



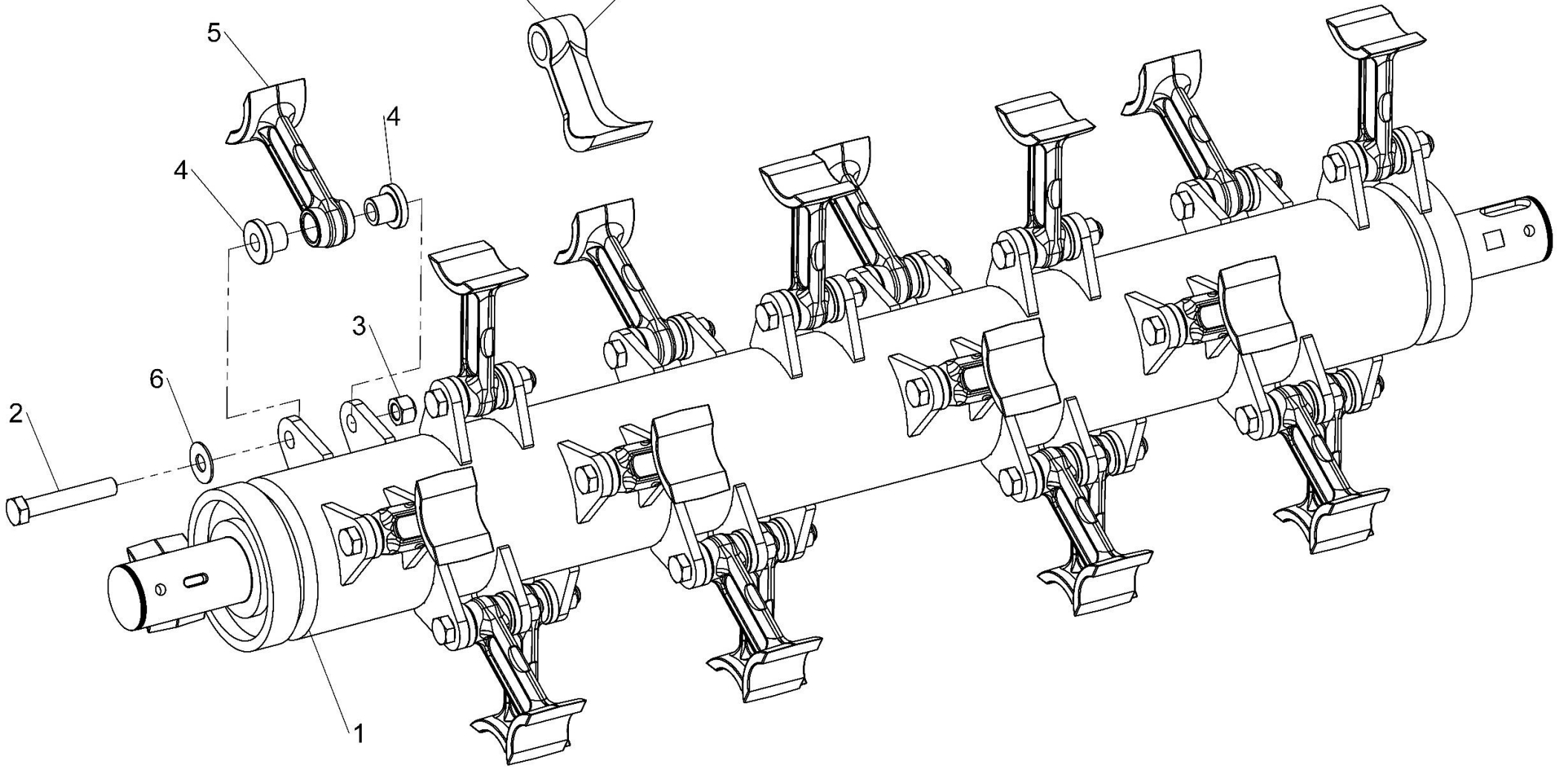
KIT-08327



Shelbourne Reynolds Engineering Limited

ASSY NUMBER: KIT-08329				ASSY DESCRIPTION: FLAIL ASSY (1.2M) ALL FLAIL TYPES			
ITEM	PART NO	DESCRIPTION	QTY	ITEM	PART NO	DESCRIPTION	QTY
1	805337 01	1.2M FLAIL W/A	1				
2	BLTD16554	BOLT	24				
3	NUTF15162	STOVER NUT	24				
4	805046 01	SPACER	48				
5	FLL-05005S	T FLAIL (DROP FORGED) (KIT-08329D)	24				
OR	FLL-05000	T FLAIL (CAST) (KIT-08329A)	24			FOR COMPLETE FLAIL ASSEMBLY	
OR	FLL-20000	COMP FLAIL (CAST) (KIT-08329C)	24			ORDER PART NUMBERS:	
OR	FLL-20005S	COMP FLAIL (DROP FORGED)	24			KIT-08329A - T FLAILS (CAST)	
6	800274 01	BALANCE WEIGHT (20G)	AR			KIT-08329C - COMPETITION	
OR	800274 02	BALANCE WEIGHT (30G)	AR			(CAST) FLAILS	
OR	800274 03	BALANCE WEIGHT (50G)	AR			KIT-08329D - T FLAIL	
						(DROP FORGED)	
						KIT-08329E - COMPETITION	
						FLAIL (DROP FORGED)	
						*** <u>IMPORTANT</u> ***	
						ENSURE BALANCE WEIGHTS ARE NOT	
						MOVED WHEN REPLACING FLAILS.	
						EXACT POSITIONING IS CRITICAL	
						TO SMOOTH RUNNING	

5 COMP FLAIL

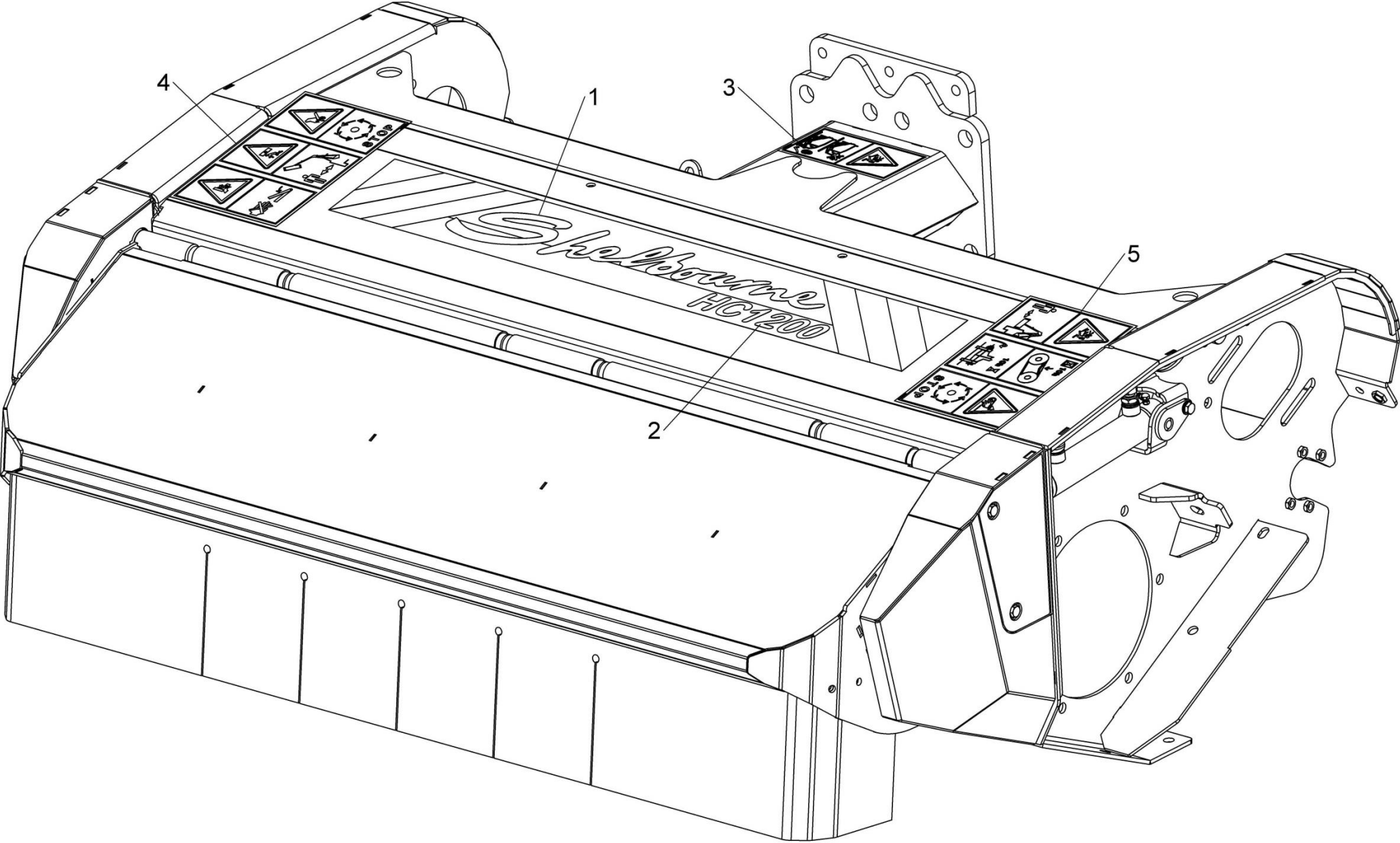


KIT-08329



Shelbourne Reynolds Engineering Limited

ASSY NUMBER: KIT-08335				ASSY DESCRIPTION: HC1200 HEAD TRANSFERS			
ITEM	PART NO	DESCRIPTION	QTY	ITEM	PART NO	DESCRIPTION	QTY
1	805391 01	SHELBOURNE TRANSFER	1				
2	805392 01	TRANSFER (HC1200)	1				
3	805472 01	TRANSFER (FLY OBJECTS)	1				
4	805600 01	MULTI TRANSFER	1				
5	805601 01	MULTI TRANSFER	1				



KIT-08335

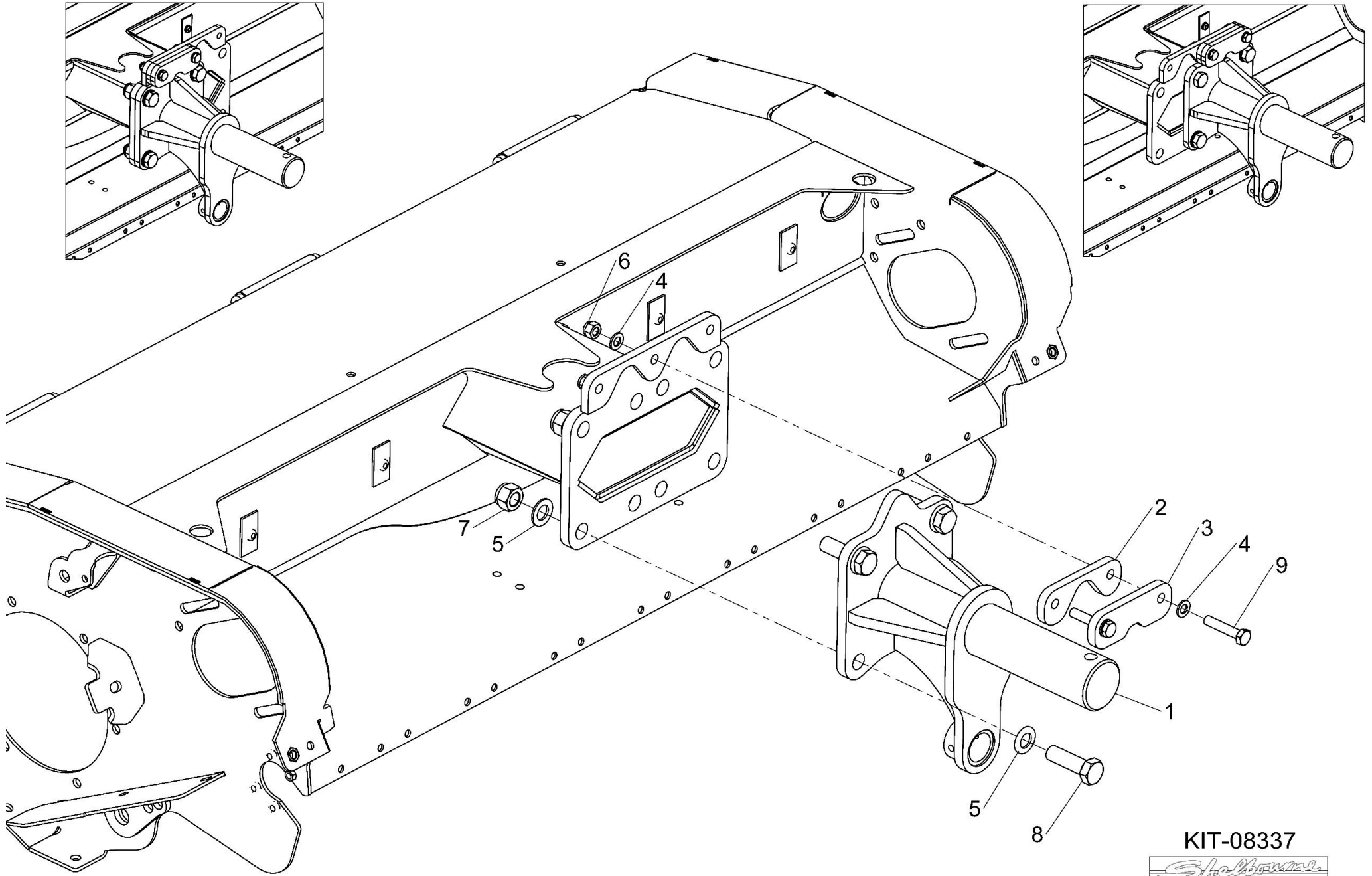


Shelbourne Reynolds Engineering Limited

ASSY NUMBER: KIT-08337				ASSY DESCRIPTION: HEAD MOUNT (UP TO 2020 Inc PB8652011 88 & PB8752011 94)			
ITEM	PART NO	DESCRIPTION	QTY	ITEM	PART NO	DESCRIPTION	QTY
1	805393 01	HEAD MOUNT W/A	1				
2	805380 02	BRACE PLATE	1				
3	805381 01	BOLT ON PLATE	1				
4	WSH-0018	WASHER	4				
5	WSH-0030	WASHER	8				
6	NUT-0269	NYLOC NUT	2				
7	NUTA02200	NYLOC NUT	4				
8	BLTA20410	BOLT	4				
9	BLTA12380	BOLT	2				
10	806109 01	PIVOT SHOE FOOT	1				

BOLT LOCATION FOR LH DRIVE

BOLT LOCATION FOR RH DRIVE

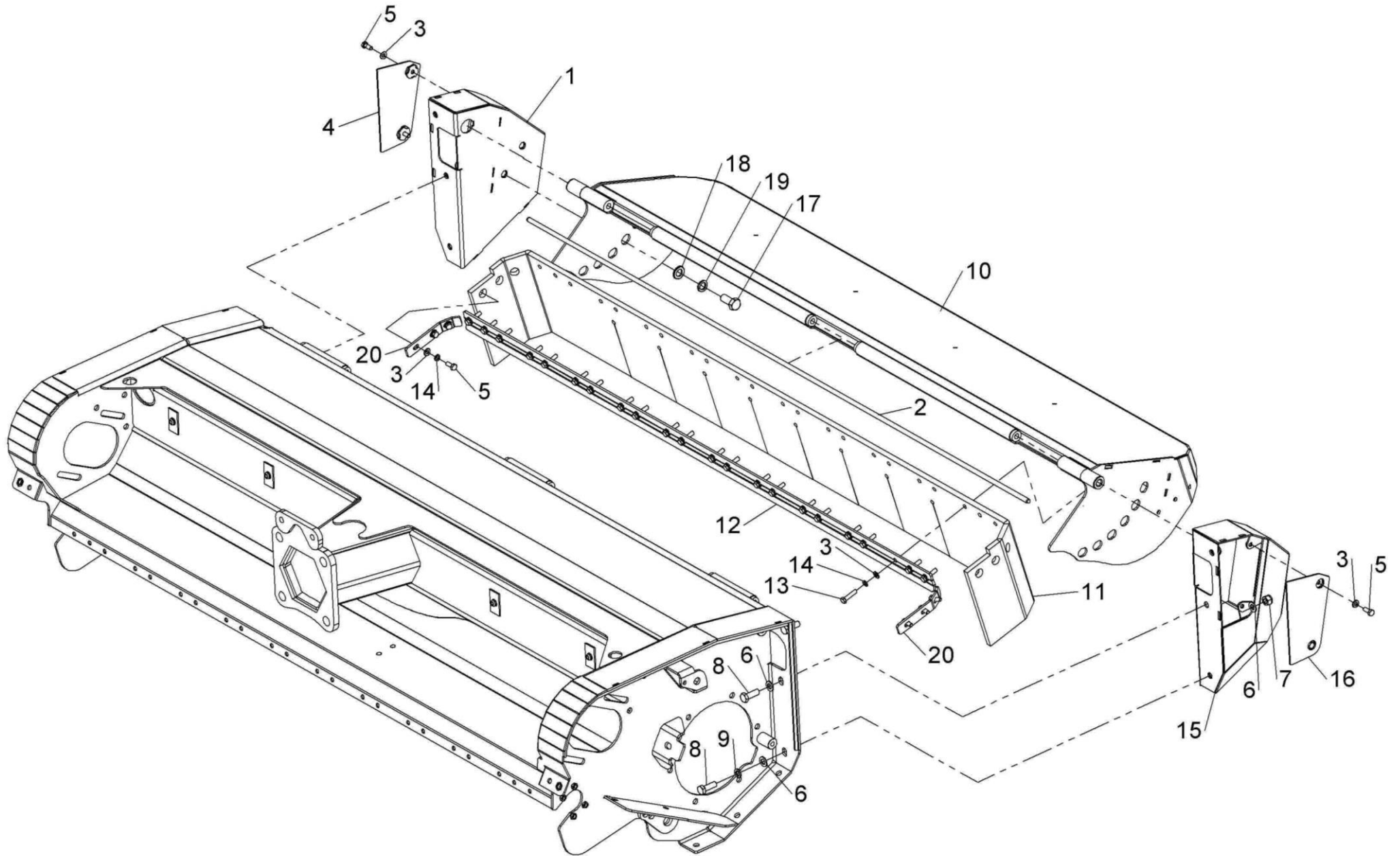


KIT-08337



Shelbourne Reynolds Engineering Limited

ASSY NUMBER: KIT-08346				ASSY DESCRIPTION: 1.6m NOSE KIT (UPTO THC162101183)			
ITEM	PART NO	DESCRIPTION	QTY	ITEM	PART NO	DESCRIPTION	QTY
1	806630 01	SIDE PLATE W/A	1				
2	805075 01	PIVOT BAR	1				
3	WSH-0012	PLAIN WASHER	35				
4	805300 01	PANEL W/A	1				
5	HSS-0140	SETSCREW	8				
6	WSH-0018	PLAIN WASHER	10				
7	NUT-0269	NYLOC NUT	4				
8	HSS-0241	SETSCREW	6				
9	WSH-0065	SPRING WASHER	2				
10	806192 01	HYD NOSE W/A	1				
11	805446 01	CURTAIN 1.6m	1				
12	805316 01	CLAMP STRIP	1				
13	HSS-0150	SETSCREW	26				
14	WSH-0058	SPRING WASHER	26				
15	806630 02	SIDE PLATE W/A	1				
16	805300 02	PANEL W/A	1				
17	HSS-0315	SETSCREW	2				
18	WSH-0024	PLAIN WASHER	2				
19	WSH-0070	SPRING WASHER	2				
20	805451 01	SIDE CLAMP	2				

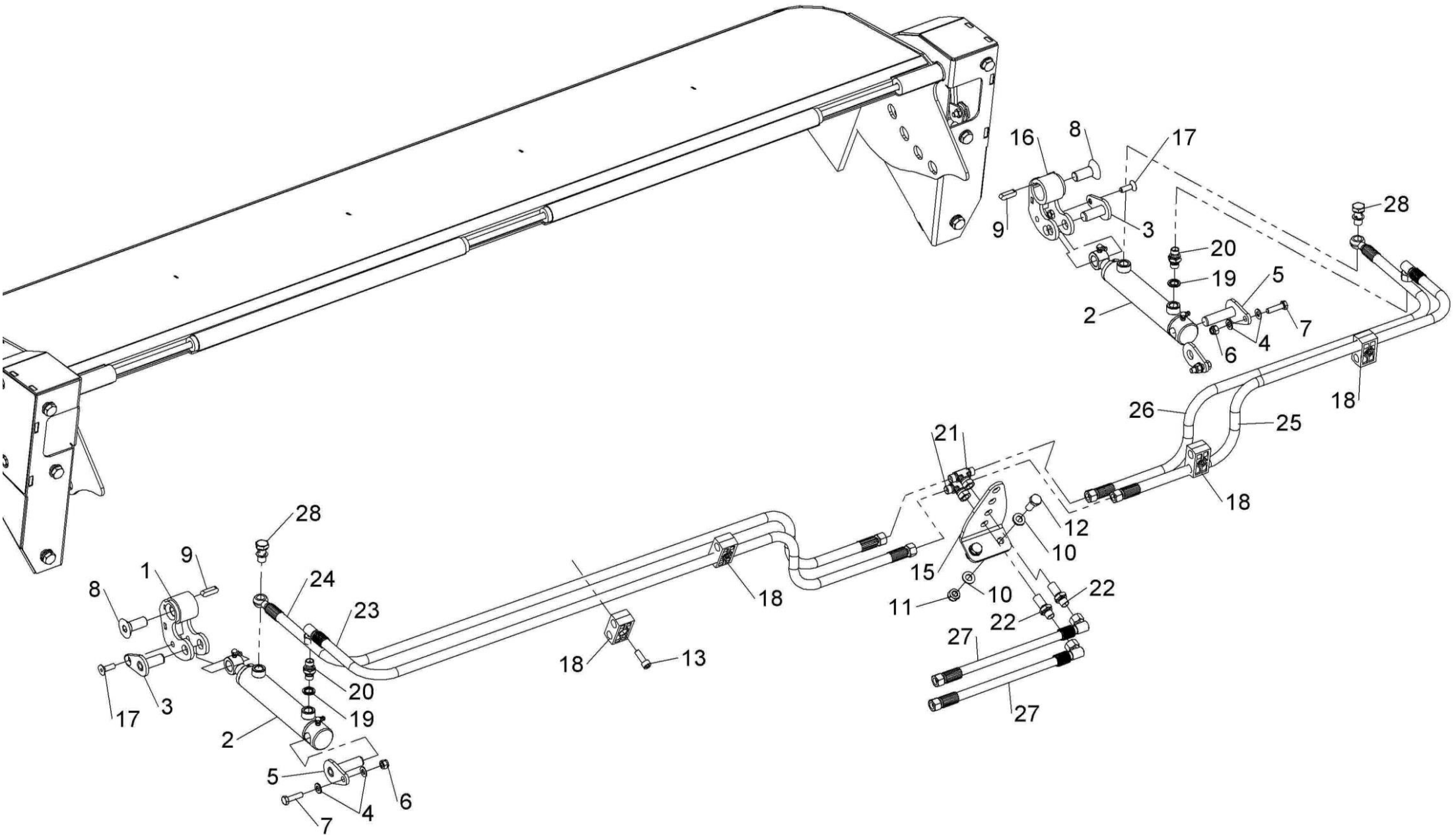


KIT-08346



Shelbourne Reynolds Engineering Limited

ASSY NUMBER: KIT-08347				ASSY DESCRIPTION: 1.6m HYDRAULICS FOR ADJ NOSE KIT (UPTO THC16210183)			
ITEM	PART NO	DESCRIPTION	QTY	ITEM	PART NO	DESCRIPTION	QTY
1	805594 01	LINK ARM W/A	1				
2	RAM-0032	HYD ROLLER NOSE CYLINDER	2				
3	805621 01	PIVOT PIN W/A	2				
4	WSH-0012	WASHER (M8 PLAIN)	4				
5	805153 01	RAM PIVOT PLATE W/A	2				
6	NUT-0263	NYLOC NUT	2				
7	HSS-0150	BOLT	2				
8	SCEA16260	COUNTERSUNK SCREW	2				
9	K0807030	KEY	2				
10	WSH-0015	PLAIN WASHER	4				
11	NUT-0265	NYLOC NUT	2				
12	HSS-0194	BOLT	2				
13	SCW-0136	CAP HEAD SCREW	4				
14							
15	806061 01	BULKHEAD BRKT	1				
16	805594 02	LINK ARM W/A	1				
17	SCW-1740	COUNTERSINK SCREW	2				
18	HCPD01400	HYDRAULIC PIPE CLAMP	4				
19	WSH-1005	DOWTY WASHER	6				
20	HMA-0052	ADAPTOR	4				
21	FITA10130	TEE FITTING	2				
22	HBK-0010	BULKHEAD	2				
23	HHCC12105	HOSE MOT-BDY	1				
24	HHLC13505	HOSE MOT-ANN	1				
25	HHCC07705	HOSE IDLE-BDY	1				
26	HHLC09005	HOSE IDLE-ANN	1				
27		NOW SEE HEAD LINK KIT	2				
OR	HHAC23005	HOSE BULK-BM UPTO 2021	2				
OR	HHAC17505	HOSE BULK-BM UPTO 2021	2				
28	HFAW50003	BANJO BOLT & SEALS	2				

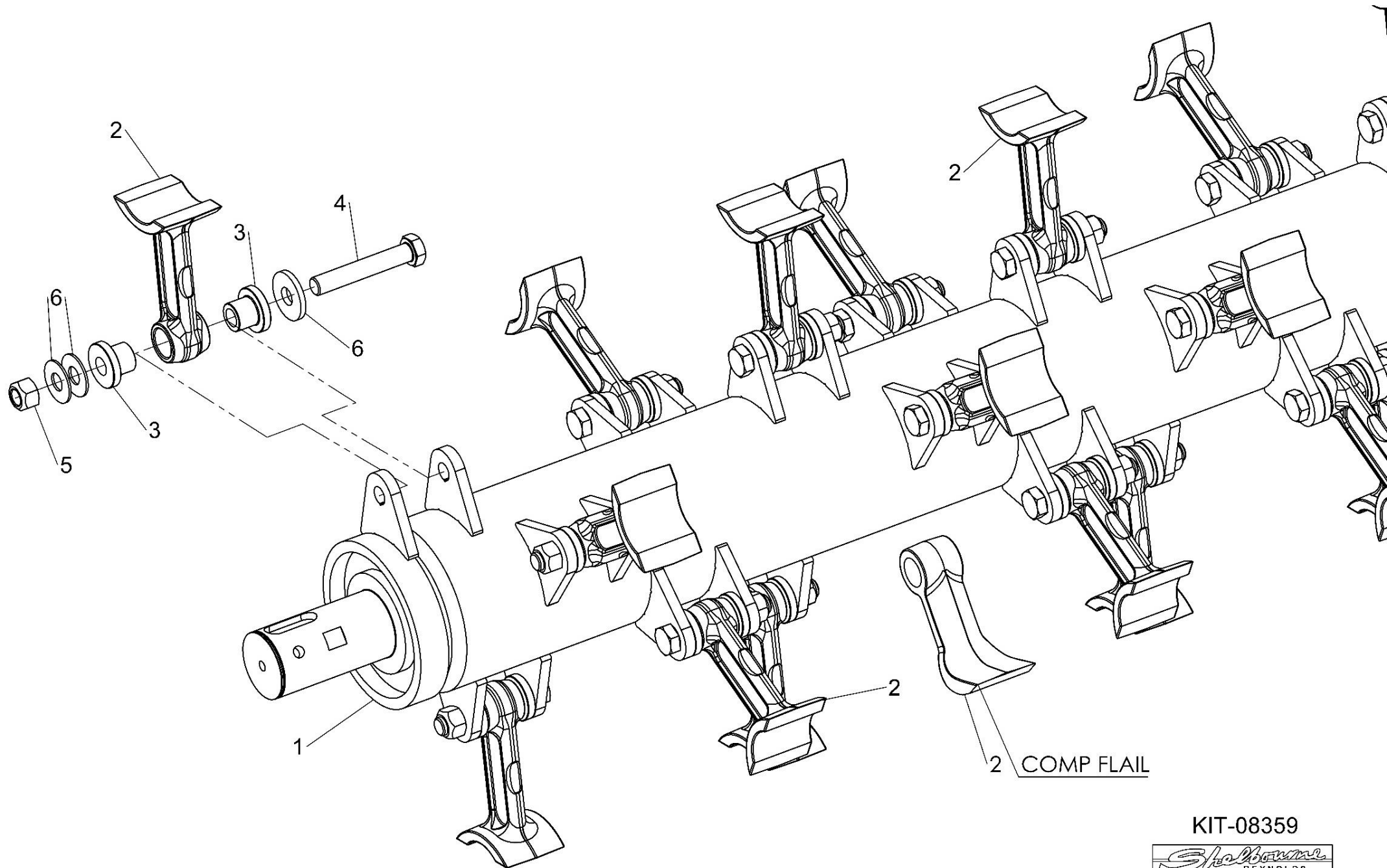


KIT-08347



Shelbourne Reynolds Engineering Limited

ASSY NUMBER:		KIT-08359		ASSY DESCRIPTION:		FLAIL ASSY (1.6Mt) ALL FLAIL TYPES	
ITEM	PART NO	DESCRIPTION	QTY	ITEM	PART NO	DESCRIPTION	QTY
1	805701 01	ROTOR ASSY (1.6Mt)	1				
2	FLL-05005	T FLAIL (DROP FORGED) (KIT-	36			FOR COMPLETE FLAIL ASSEMBLY	
OR	FLL-05000	08359D)	36			ORDER PART NO'S.:	
OR	FLL-20000	T FLAIL (CAST) (KIT-08359A)	36				
OR	FLL-20005S	COMP FLAIL (CAST) (KIT-08359C)	36			KIT-08359A - T FLAILS (CAST)	
3	805046 01	COMP FLAIL (DROP FORGED) (KIT-	72				
4	BLTD16554	08359E)	36			KIT-08359C - COMPETITION	
OR	BLTD16574	SPACER	AR			(CAST) FLAILS	
OR	BLTD16604	BOLT	AR				
OR	BLTD16654	BOLT	AR			KIT-08359D - T FLAIL	
5	NUTF15162	BOLT	36			(DROP FORGED)	
6	800274 01	BOLT	AR				
OR	800274 02	STOVER NUT	AR			KIT-08359E - COMPETITION FLAIL	
OR	800274 03	BALANCE WEIGHT (20G)	AR			(DROP FORGED)	
		BALANCE WEIGHT (30G)					
		BALANCE WEIGHT (50G)					
						** <u>IMPORTANT</u> **	
						ENSURE BALANCE WEIGHTS ARE NOT MOVED WHEN REPLACING FLAILS. EXACT POSITIONING IS CRITICAL TO SMOOTH RUNNING	



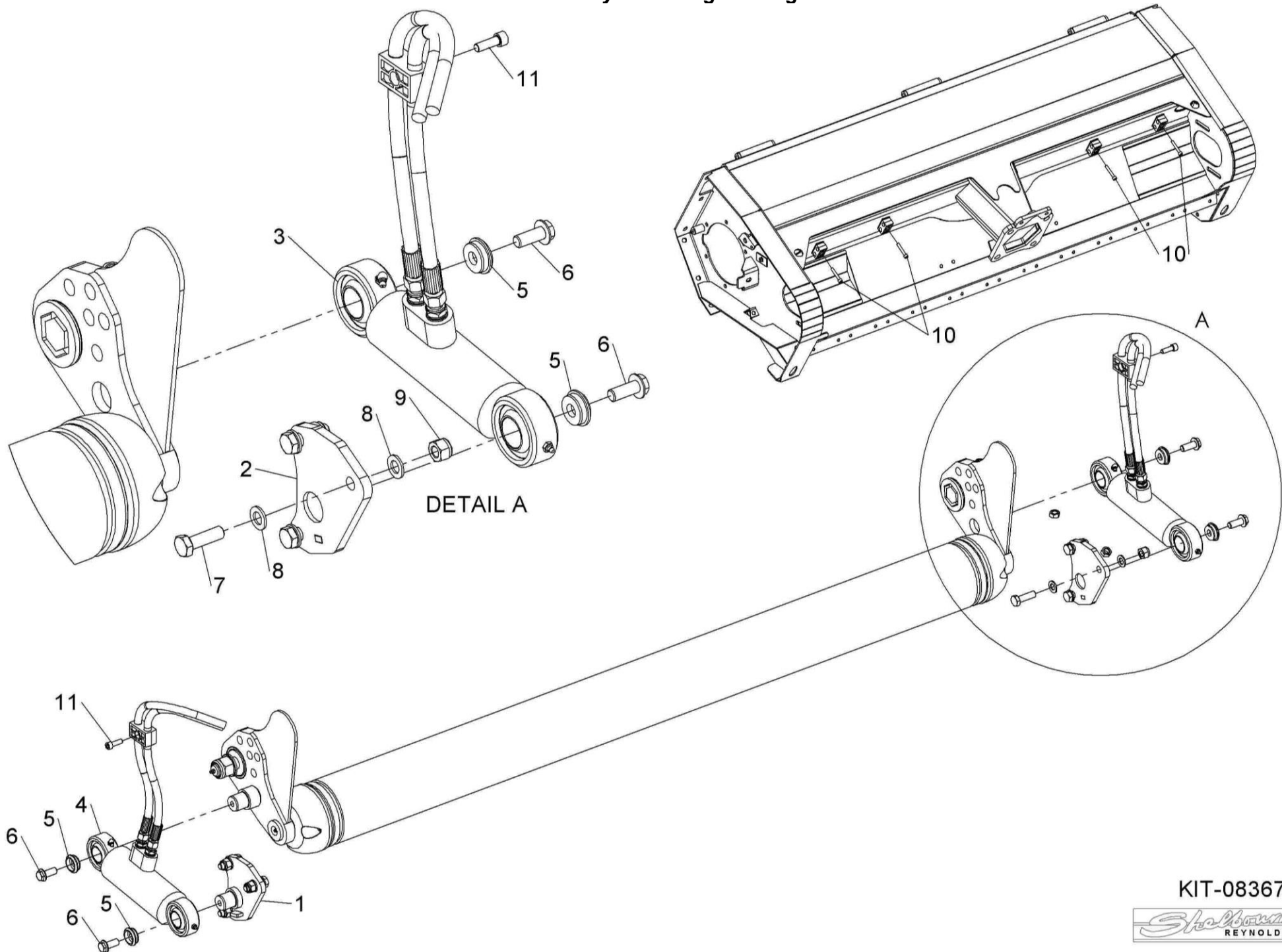
2 COMP FLAIL

KIT-08359



Shelbourne Reynolds Engineering Limited

ASSY NUMBER: KIT-08367				ASSY DESCRIPTION: ROLLER LINKAGE KIT (HC HEAD)			
ITEM	PART NO	DESCRIPTION	QTY	ITEM	PART NO	DESCRIPTION	QTY
1	805948 01	LH RAM MOUNT W/A	1				
2	805948 02	RH RAM MOUNT W/A	1				
3	807396 01	CYLINDER RH 60OD THC1X220315 & ON	1				
OR	805782 01	CYLINDER RH 60OD UPTO THC1X220315	1				
4	807395 01	CYLINDER LH 70OD THC1X220315 & ON	1				
OR	805848 01	CYLINDER LH 70OD UPTO THC1X220315	1				
5	806139 01	DOME WASHER	4				
6	HSSF12204	TENSILOCK SETSCREW	4				
7	HSS-0250	SETSCREW	6				
8	WSH-0018	WASHER	12				
9	NUT-0269	NYLOC NUT	6				
10	SCW-0145	CAP HEAD SCREW	4				
11	SCW-0136	CAP HEAD SCREW	2				

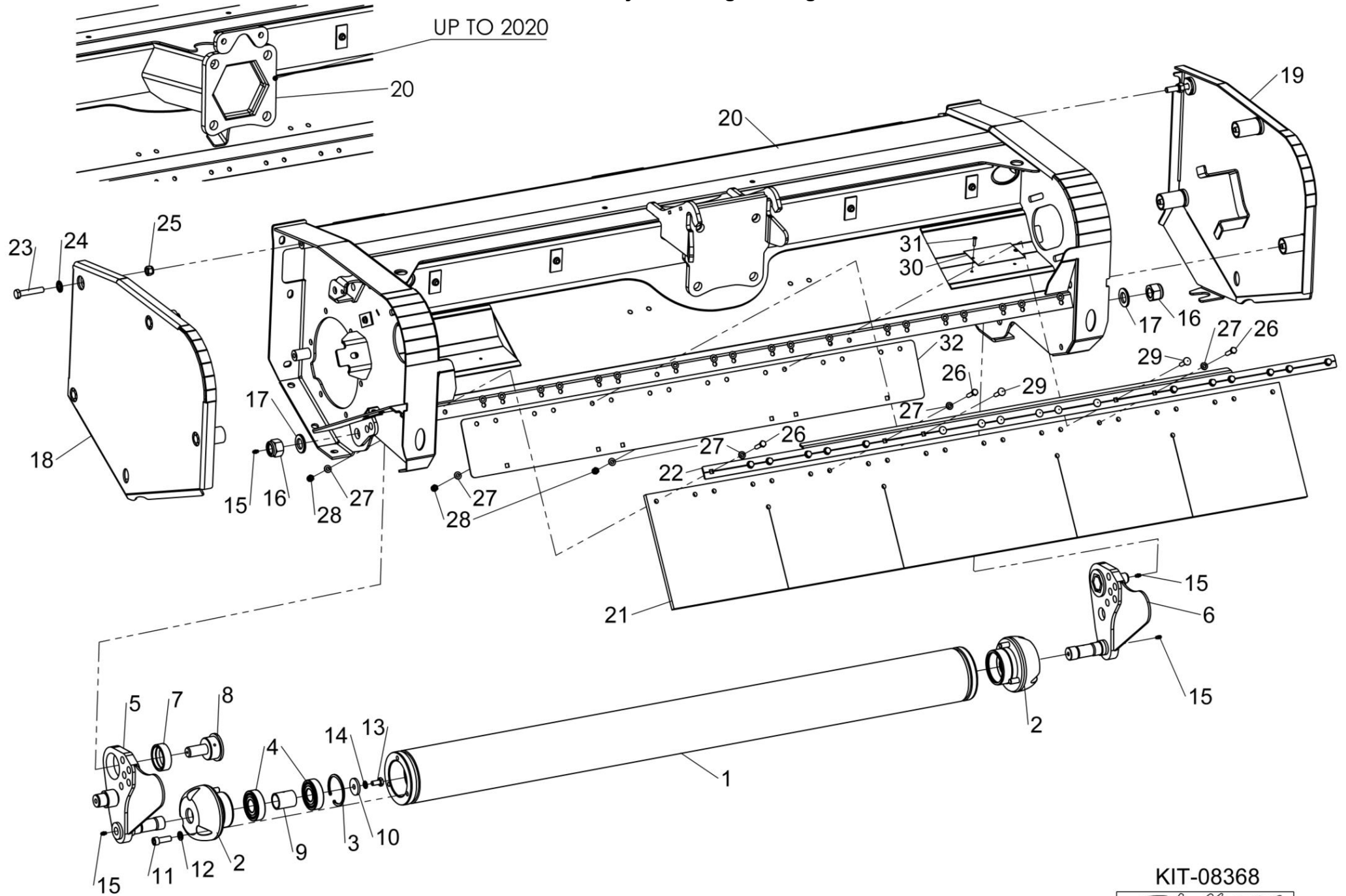


KIT-08367



Shelbourne Reynolds Engineering Limited

ASSY NUMBER: KIT-08368				ASSY DESCRIPTION: 1.6M HEAD SHELL ASSY (UPTO THC16210183)			
ITEM	PART NO	DESCRIPTION	QTY	ITEM	PART NO	DESCRIPTION	QTY
1	805933 01	ROLLER	1				
2	805896 01	END CAP	2				
3	CIR-0720	CIRCLIP	2				
4	BRG-13005	BEARING	4				
5	805891 01	LH ADJ BRACKET	1				
6	805891 02	RH ADJ BRACKET	1				
7	802667 01	BUSH	2				
8	804979 01	PIVOT STUB	2				
9	801950 01	SPACER TUBE	2				
10	190548 01	WASHER	2				
11	SCW-0245	CAP HD SCREW	6				
12	WSH-0065	SPRING WASHER	6				
13	HSS-0188	SET SCREW	2				
14	WSH-0061	WASHER	2				
15	NIP-00600	GREASE NIPPLE	4				
16	NUT-0275	NYLOC NUT	2				
17	WSH-0036	WASHER	2				
18	806208 01	LH SIDE GUARD W/A	1				
19	806208 02	RH SIDE GUARD W/A	1				
20	806368 01	1.6m HEAD SHELL 2020 & ON	1				
OR	805777 01	1.6m HEAD SHELL UPTO 2020 (INC PB8X5201188,194 & 290)	1				
21	805955 01	CURTAIN	1				
22	805954 01	CLAMP STRIP	1				
23	HSS-0275	SETSCREW	8				
24	WSHA30121	LOCK WASHER	8				
25	NUT-0269	NYLOC NUT	8				
26	BLT-2700	COACHBOLT	6				
27	WSH-0012	WASHER	28				
28	NUT-0263	NYLOC NUT	28				
29	BLT-2730	COACHBOLT	22				
30	290526 01	SERIAL PLATE	1				
31	POP-0006	POP RIVET	2				
32	806506 01	DEFLECTOR PLATE	1				

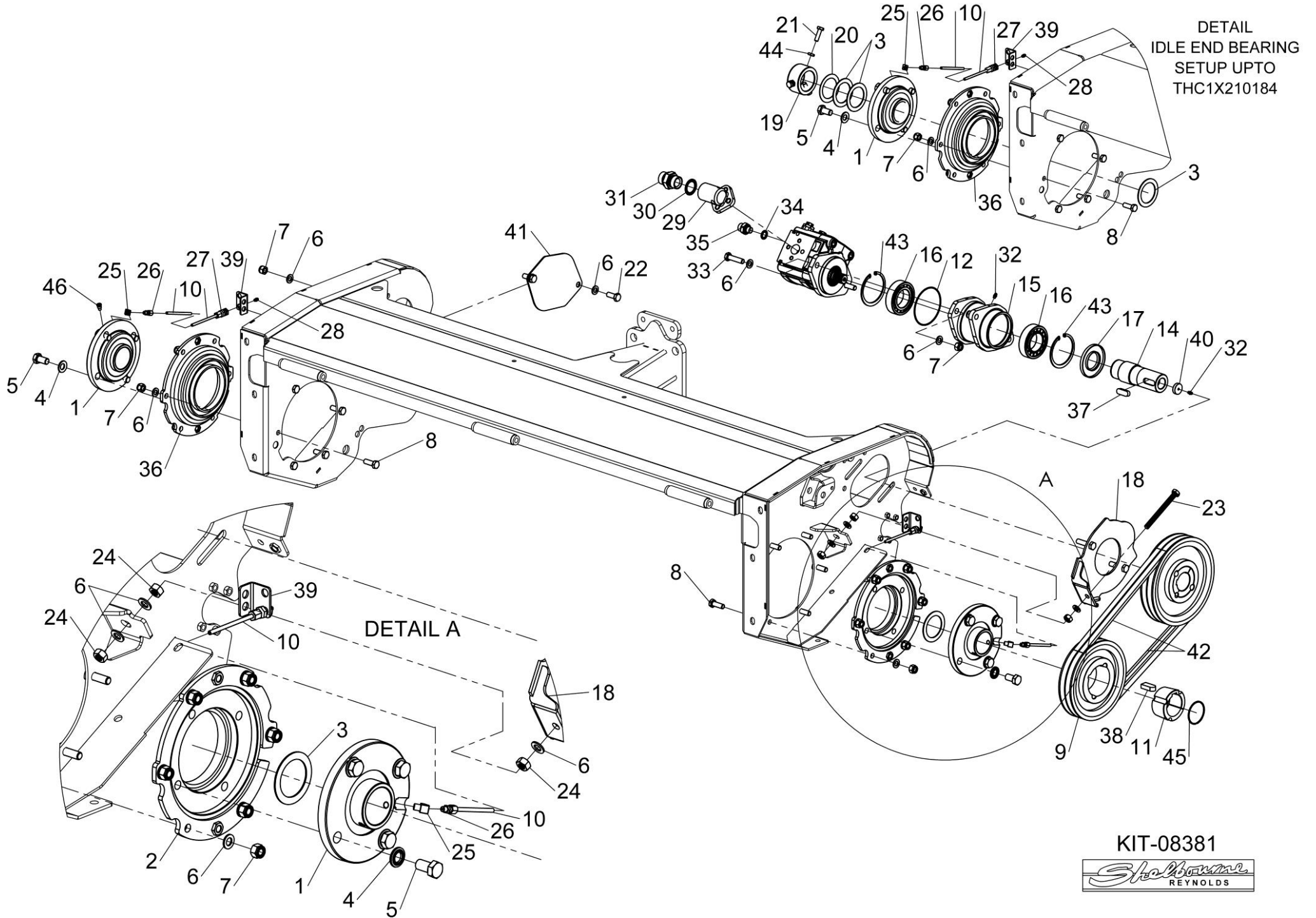


KIT-08368



Shelbourne Reynolds Engineering Limited

ASSY NUMBER: KIT-08381				ASSY DESCRIPTION: FLAIL MTG & DRIVE ASSY			
ITEM	PART NO	DESCRIPTION	QTY	ITEM	PART NO	DESCRIPTION	QTY
1	807021 01	BEARING THC1X210184 ON	2	39	806247 01	GREASE PLATE ROTOR	2
OR	850082 01	BEARING UPTO THC1X210184	2	40	805320 01	GREASE PLATE	1
2	805030 01	LH BEARING HOUSING W/A	1	41	805951 01	COVER PLATE	1
3	190548 31	WASHER	1	42	BEL-10160	BELT	2
4	WSHA30161	LOCK WASHER	8	43	CIR010090	CIRCLIP	2
5	HSSA16200	SETSCREW	8	44	NUT-0365	HLF NUT UPTO THC1X210184	3
6	WSH-0018	WASHER	26	45	CIR-4020	SNAP RING CIRCLIP	1
7	NUT-0269	NYLOC NUT	18	46	BRG-92500	BRNG SCREW THC1X210184 ON	1
8	HSS-0241	SETSCREW	12				
9	PUL-0105	PULLEY	1				
10	LUB-00044	TUBE	0.90m		KIT-08381	LEFT HAND FLAIL MTG & DRIVE	
11	BSHZ06063	BUSH	1			ASSY	
12	ORA161000	O RING	1		KIT-08381A	RIGHT HAND FLAIL MTG & DRIVE	
13	-					ASSY	
14	804895 01	OUTRIGGER SHAFT	1				
15	804896 01	OUTRIGGER HOUSING W/A	1				
16	BRG-15082	BEARING	2				
17	SEAA05090	SHAFT SEAL	1				
18	805032 01	LH MOTOR MOUNT W/A	1			FOR MOTOR & PULLEY SEE	
OR	805032 02	RH MOTOR MOUNT W/A	1			DRIVE KIT	
19	805085 01	LCKING RING UPTO THC1X210184	1				
20	190548 30	WASHER UPTO THC1X210184	2				
21	HSS-0198	SCREW UPTO THC1X210184	3				
22	HSS-0238	SETSCREW	3				
23	HSSA12650	SETSCREW	1				
24	NUT-0170	PLAIN NUT	3				
25	LUB-00055	ADAPTOR 45DEG	2				
26	LUB-00045	STRAIGHT ADAPTOR	2				
27	LUB-00052	STRAIGHT BULKHEAD	2				
28	NIP-00605	GREASE NIPPLE	2				
29	FITF00005	FLANGE ELBOW CONNECTOR	2				
30	WSH-1025	DOWTY WASHER	2				
31	FIT-0546	M/M 1" ADAPTOR	2				
32	NIP-00600	GREASE NIPPLE	2				
33	HSS-0260	SETSCREW	2				
34	WSH-1010	DOWTY WASHER	1				
35	HMA-0065	M/M ADAPTOR	1				
36	805184 01	RH BEARING HOUSING W/A	1				
37	KEYA21405	KEY	1				
38	KEYA21800	KEY	1				

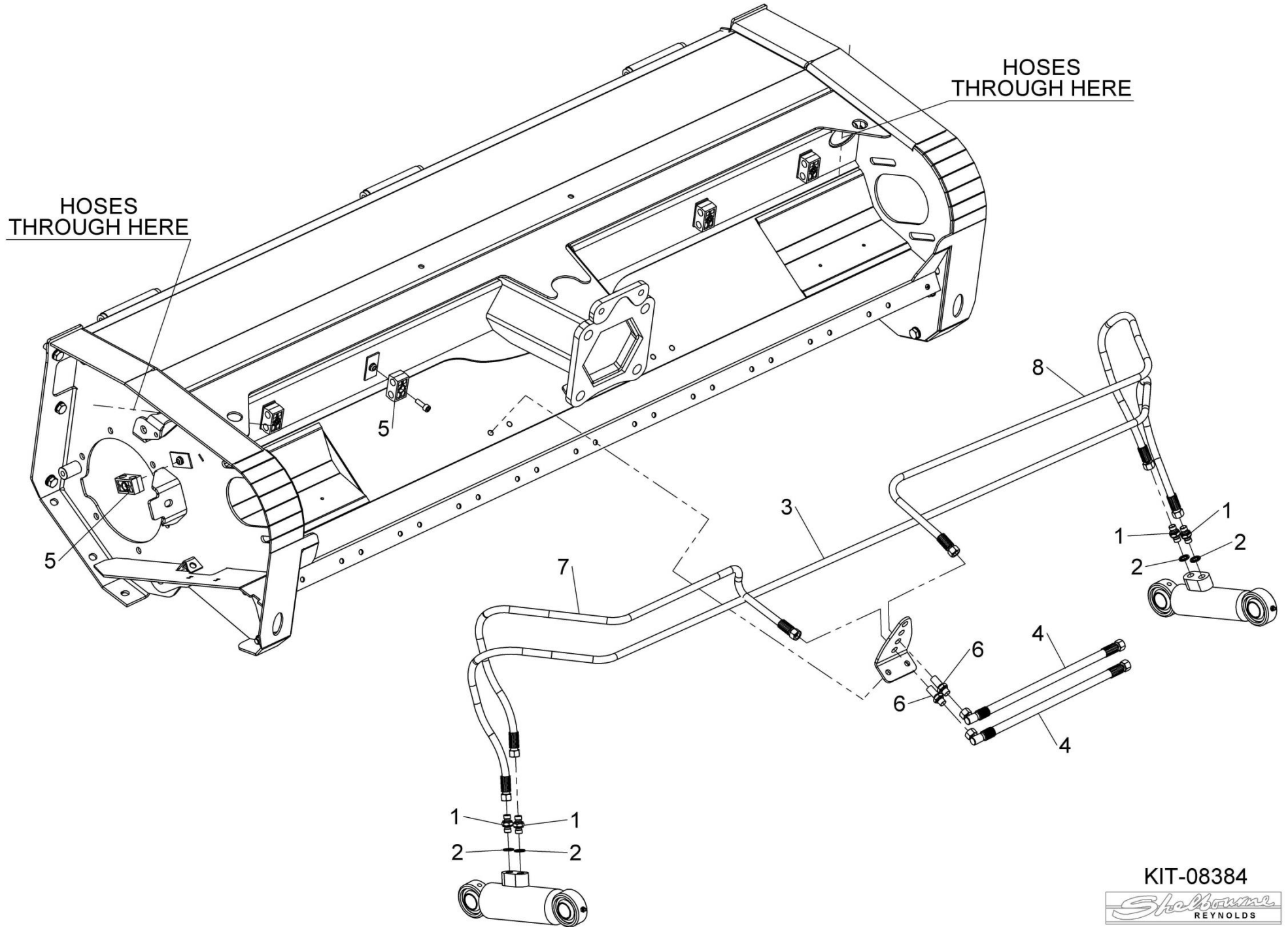


KIT-08381



Shelbourne Reynolds Engineering Limited

ASSY NUMBER: KIT-08384				ASSY DESCRIPTION: HYDRAULIC HOSES FOR ADJUSTABLE ROLLER KIT			
ITEM	PART NO	DESCRIPTION	QTY	ITEM	PART NO	DESCRIPTION	QTY
1	HMA-0052	ADAPTOR	4				
2	WSH-1005	DOWTY WASHER	4				
3	HHAC24205	HOSE 1.6m	1				
OR	HHAC21005	HOSE 1.2m	1				
4	-	NOW SEE HEAD LINK KIT	2				
OR	HHAC23005	HOSE VFRT UPTO 2021	2				
OR	HHAC17505	HOSE TELE UPTO 2021	2				
5	HCPD01400	HOSE CLAMP	6				
6	HBK-0010	BULKHEAD	2				
7	HHCC10205	HOSE 1.6m	1		KIT-08384A HYD	2021 & ON 1.6m HYD ADJ ROLLER KIT	
OR	HHCC08305	HOSE 1.2m	1		KIT-08384C HYD	1.2m HYD ADJ ROLLER KIT	
8	HHCC14005	HOSE 1.6m	1				
OR	HHCC12805	HOSE 1.2m	1				
						UPTO 2021	
					KIT-08384A HYD	1.6m VFRT HYD ADJ ROLLER KIT	
					KIT-08384B HYD	1.6m TELE HYD ADJ ROLLER KIT	
					KIT-08384C HYD	1.2m VFRT HYD ADJ ROLLER KIT	
					KIT-08384D HYD	1.2m TELE HYD ADJ ROLLER KIT	

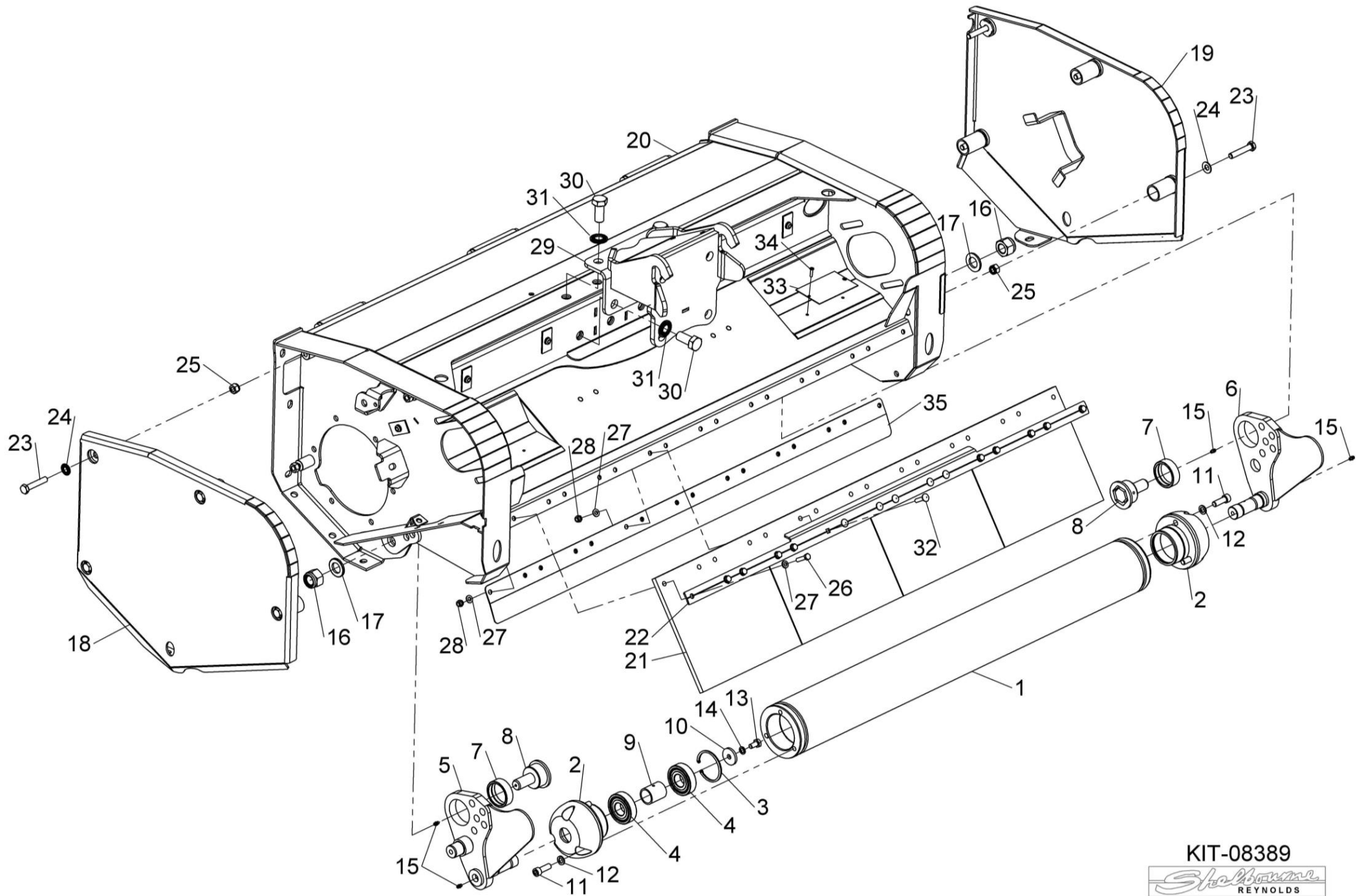


KIT-08384



Shelbourne Reynolds Engineering Limited

ASSY NUMBER: KIT-08389				ASSY DESCRIPTION: 1.2M HEAD SHELL ASSY (UPTO THC12210183)			
ITEM	PART NO	DESCRIPTION	QTY	ITEM	PART NO	DESCRIPTION	QTY
1	805933 02	ROLLER	1				
2	805896 01	END CAP	2				
3	CIR-0720	CIRCLIP	2				
4	BRG-13005	BEARING	4				
5	805891 01	LH ADJ BRACKET	1				
6	805891 02	RH ADJ BRACKET	1				
7	802667 01	BUSH	2				
8	804979 01	PIVOT STUB	2				
9	801950 01	SPACER TUBE	2				
10	190548 01	WASHER	2				
11	SCW-0245	CAP HD SCREW	6				
12	WSH-0065	SPRING WASHER	6				
13	HSS-0188	SET SCREW	2				
14	WSH-0061	WASHER	2				
15	NIP-00600	GREASE NIPPLE	4				
16	NUT-0275	NYLOC NUT	2				
17	WSH-0036	WASHER	2				
18	806208 01	LH SIDE GUARD W/A	1				
19	806208 02	RH SIDE GUARD W/A	1				
20	806352 01	1.2m HEAD SHELL W/A 2020 & ON	1				
OR	806055 01	1.2m HEAD SHELL W/A UPTO 2020	1				
21	806060 01	CURTAIN	1				
22	806062 01	CLAMP STRIP	1				
23	HSS-0275	SETSCREW	8				
24	WSHA30121	LOCK WASHER	8				
25	NUT-0269	NYLOC NUT	8				
26	BLT-2700	COACHBOLT	4				
27	WSH-0012	WASHER	20				
28	NUT-0263	NYLOC NUT	20				
29	806399 01	HEAD BRACKET W/A 2020 & ON	1				
30	HSSA20290	SETSCREW 2020 & ON	6				
31	WSHA30201	WASHER 2020 & ON	6				
32	BLT-2730	COACHBOLT	16				
33	290526 01	SERIAL PLATE	1				
34	POP-0006	POP RIVET	2				
35	806531 01	DEFLECTOR PLATE	1				

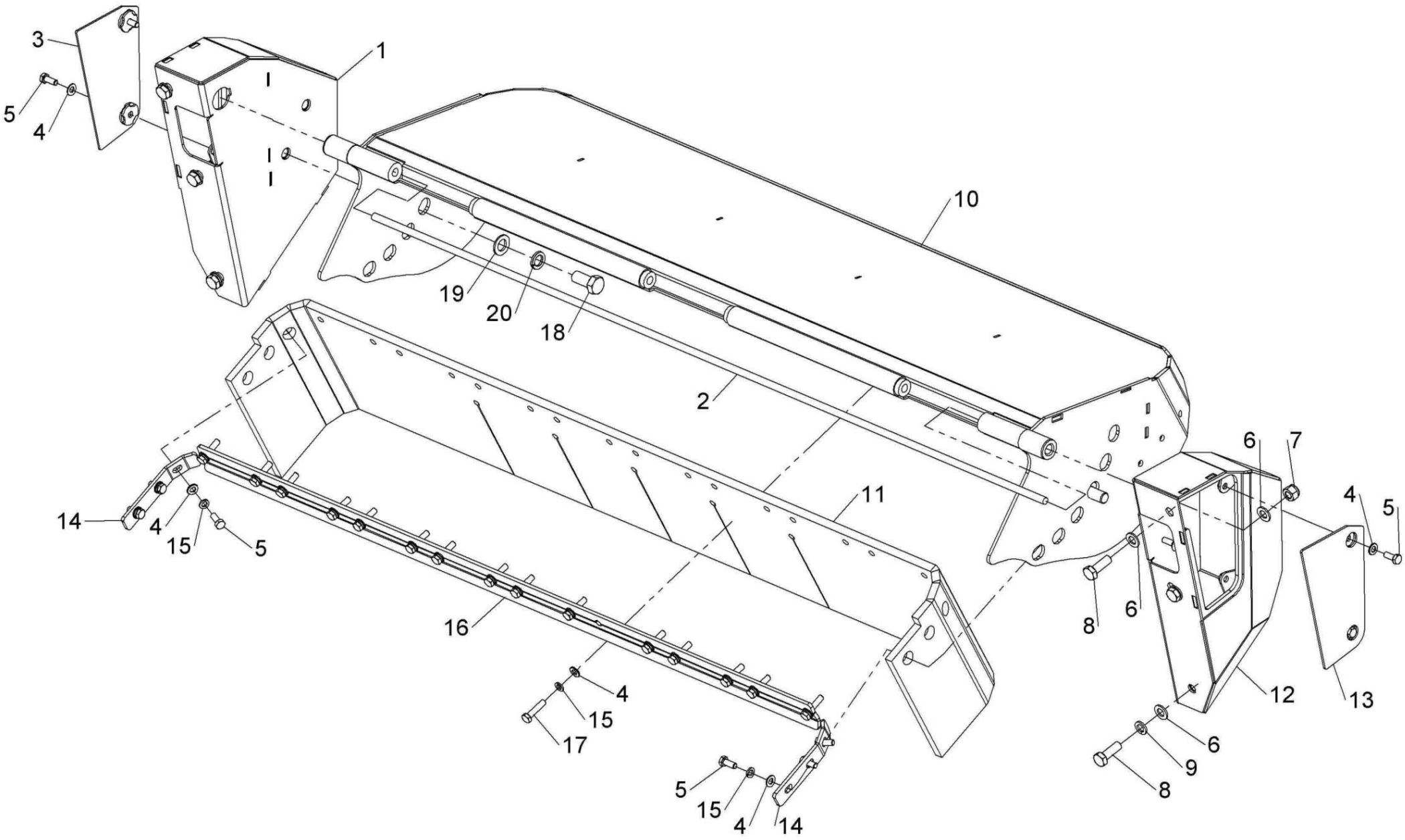


KIT-08389



Shelbourne Reynolds Engineering Limited

ASSY NUMBER: KIT-08391				ASSY DESCRIPTION: 1.2m NOSE KIT (UPTO THC12210183)			
ITEM	PART NO	DESCRIPTION	QTY	ITEM	PART NO	DESCRIPTION	QTY
1	806630 01	SIDE PLATE W/A	1				
2	802270 01	PIVOT BAR	1				
3	805300 01	PANEL W/A	1				
4	WSH-0012	PLAIN WASHER	26				
5	HSS-0140	SETSCREW	10				
6	WSH-0018	PLAIN WASHER	10				
7	NUT-0269	NYLOC NUT	4				
8	HSS-0241	SETSCREW	6				
9	WSH-0065	SPRING WASHER	2				
10	806203 01	HYD NOSE W/A	1				
11	806066 01	CURTAIN 1.2m	1				
12	806630 02	SIDE PLATE W/A	1				
13	805300 02	PANEL W/A	1				
14	805451 01	SIDE CLAMP	2				
15	WSH-0058	SPRING WASHER	22				
16	806067 01	CLAMP STRIP	1				
17	HSS-0152	SETSCREW	16				
18	HSS-0315	SETSCREW	2				
19	WSH-0024	PLAIN WASHER	2				
20	WSH-0070	SPRING WASHER	2				

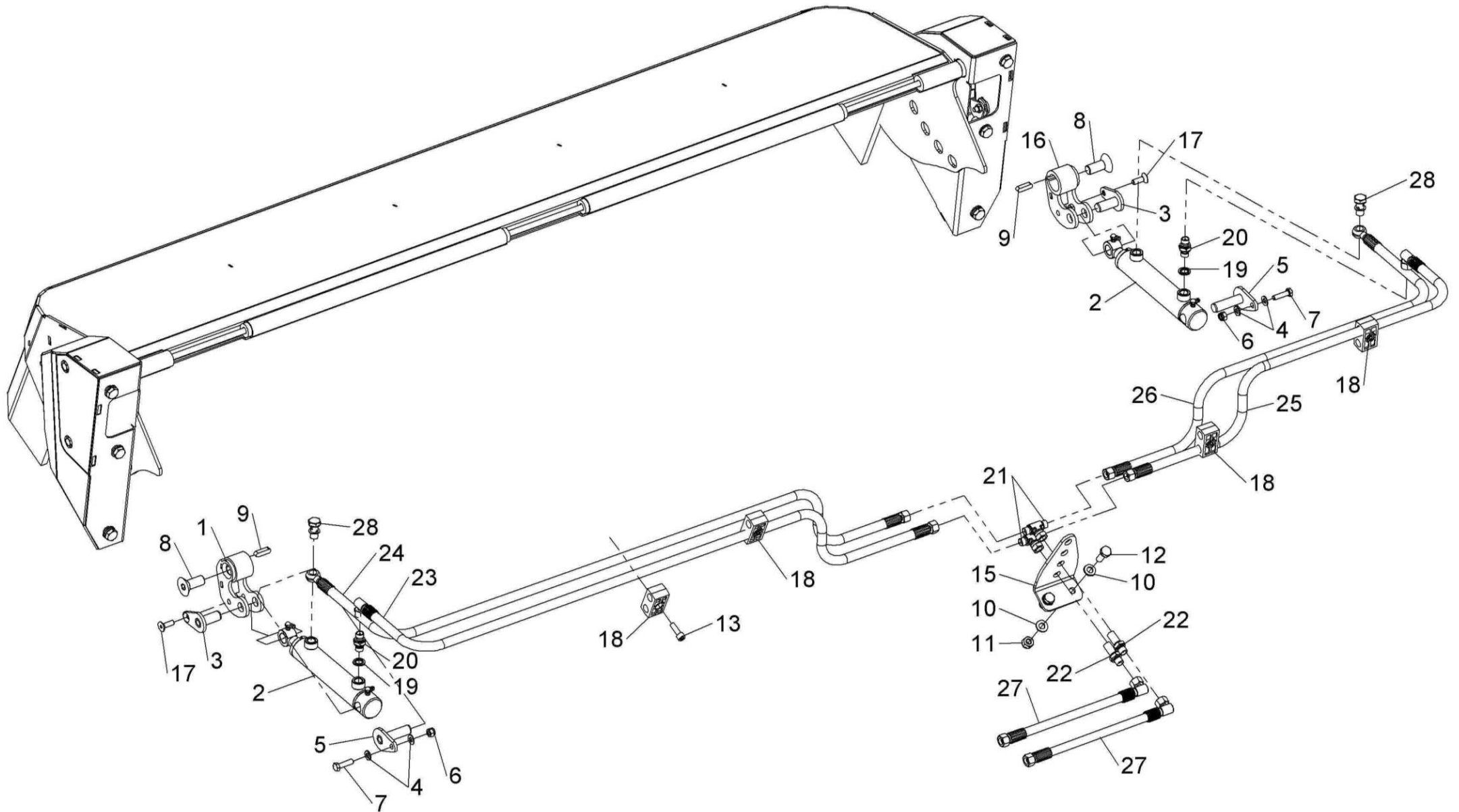


KIT-08391



Shelbourne Reynolds Engineering Limited

ASSY NUMBER: KIT-08392				ASSY DESCRIPTION: 1.2m ADJUSTABLE NOSE HYDRAULICS KIT (UPTO THC12210183)			
ITEM	PART NO	DESCRIPTION	QTY	ITEM	PART NO	DESCRIPTION	QTY
1	805594 01	LINK ARM W/A	1				
2	RAM-0032	HYD ROLLER NOSE CYLINDER	2				
3	805621 01	PIVOT PIN W/A	2				
4	WSH-0012	WASHER	4				
5	805153 01	RAM PIVOT PLATE W/A	2				
6	NUT-0263	NYLOC NUT	2				
7	HSS-0150	BOLT	2				
8	SCEA16260	COUNTERSUNK SCREW	2				
9	K0807030	KEY	2				
10	WSH-0015	PLAIN WASHER	4				
11	NUT-0265	NYLOC NUT	2				
12	HSS-0194	BOLT	2				
13	SCW-0136	CAP HEAD SCREW	3				
14							
15	806061 01	BULKHEAD BRKT	1		KIT-08392	1.2m NOSE KIT 2021 & ON	
16	805594 02	LINK ARM W/A	1		KIT-08392 HYD	1.2m NOSE HYD KIT 2021 & ON	
17	SCW-1740	COUNTERSINK SCREW	2				
18	HCPD01400	HYDRAULIC PIPE CLAMP	3		KIT-08392	1.2m NOSE VFRT KIT UPTO 2021	
19	WSH-1005	DOWTY WASHER	4		KIT-08392A	1.2m NOSE TELE KIT UPTO 2021	
20	HMA-0052	ADAPTOR	4				
21	FITA10130	TEE FITTING	2		KIT-08392 HYD	1.2m NOSE HYD VFRT KIT UPTO 2021	
22	HBK-0010	BULKHEAD	2		KIT-08392A HYD	1.2m NOSE HYD TELE KIT UPTO 2021	
23	HHCC10005	HOSE MOT-BDY	1				
24	HHLC11505	HOSE MOT-ANN	1				
25	HHCC06005	HOSE IDLE-BDY	1				
26	HHLC07005	HOSE IDLE-ANN	1				
27		NOW SEE HEAD LINK KIT	2				
OR	HHAC23005	HOSE BULK-BM UPTO 2021	2				
OR	HHAC17505	HOSE BULK-BM UPTO 2021	2				
28	HFAW50003	BANJO BOLT & SEALS	2				

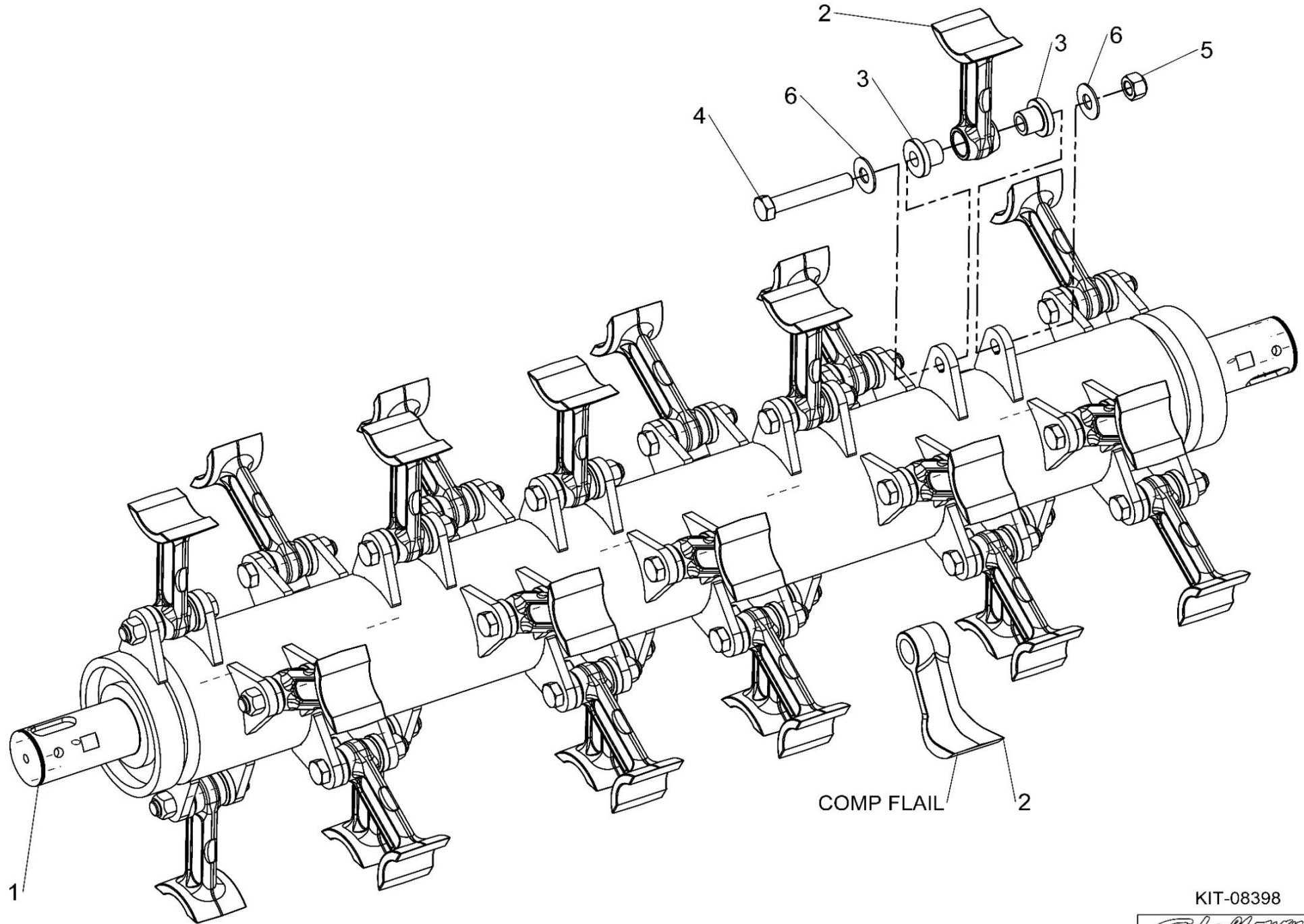


KIT-08392



Shelbourne Reynolds Engineering Limited

ASSY NUMBER:		KIT-08398		ASSY DESCRIPTION:		FLAIL ASSY (1.2m 30 FLAIL)ALL FLAIL TYPES	
ITEM	PART NO	DESCRIPTION	QTY	ITEM	PART NO	DESCRIPTION	QTY
1	806207 01	ROTOR ASSY (1.2m 30 FLAIL)	1				
2	FLL-05000	T FLAIL(CAST) (KIT-08398A)	30			FOR COMPLETE FLAIL ASSEMBLY	
OR	FLL-05005S	T FLAIL(DROP FORGED) (KIT-	30			ORDER PART NO'S.:	
OR	FLL-20000	08398D)	30				
OR	FLL-20005S	COMP FLAIL(CAST) (KIT-08398C)	30			KIT-08398A-T FLAILS(CAST)	
3	805046 01	COMP FLAIL(DROP FORGED) (KIT-	60				
4	BLTD16554	08398E)	30			KIT-08398C-COMPETITION	
OR	BLTD16574	SPACER	AR			(CAST) FLAILS	
OR	BLTD16604	BOLT	AR				
OR	BLTD16654	BOLT	AR			KIT-08398D-T FLAIL	
5	NUTF15162	BOLT	30			(DROP FORGED)	
6	800274 01	BOLT	AR				
OR	800274 02	STOVER NUT	AR			KIT-08398E - COMPETITION	
OR	800274 03	BALANCE WEIGHT (20G)	AR			FLAIL (DROP FORGED)	
		BALANCE WEIGHT (30G)					
		BALANCE WEIGHT (50G)					
						** <u>IMPORTANT</u> **	
						ENSURE BALANCE WEIGHTS ARE NOT MOVED WHEN REPLACING FLAILS. EXACT POSITIONING IS CRITICAL TO SMOOTH RUNNING	

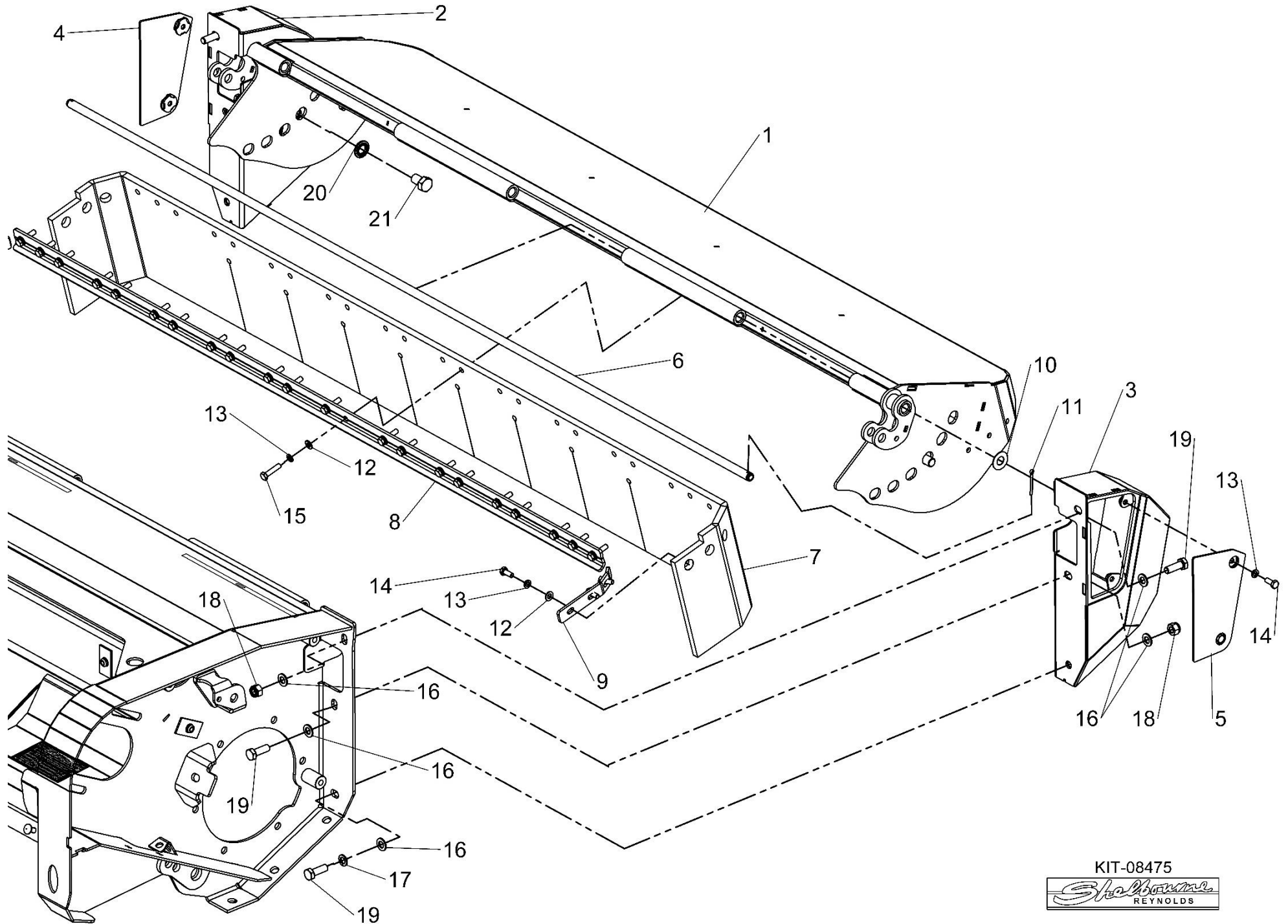


KIT-08398



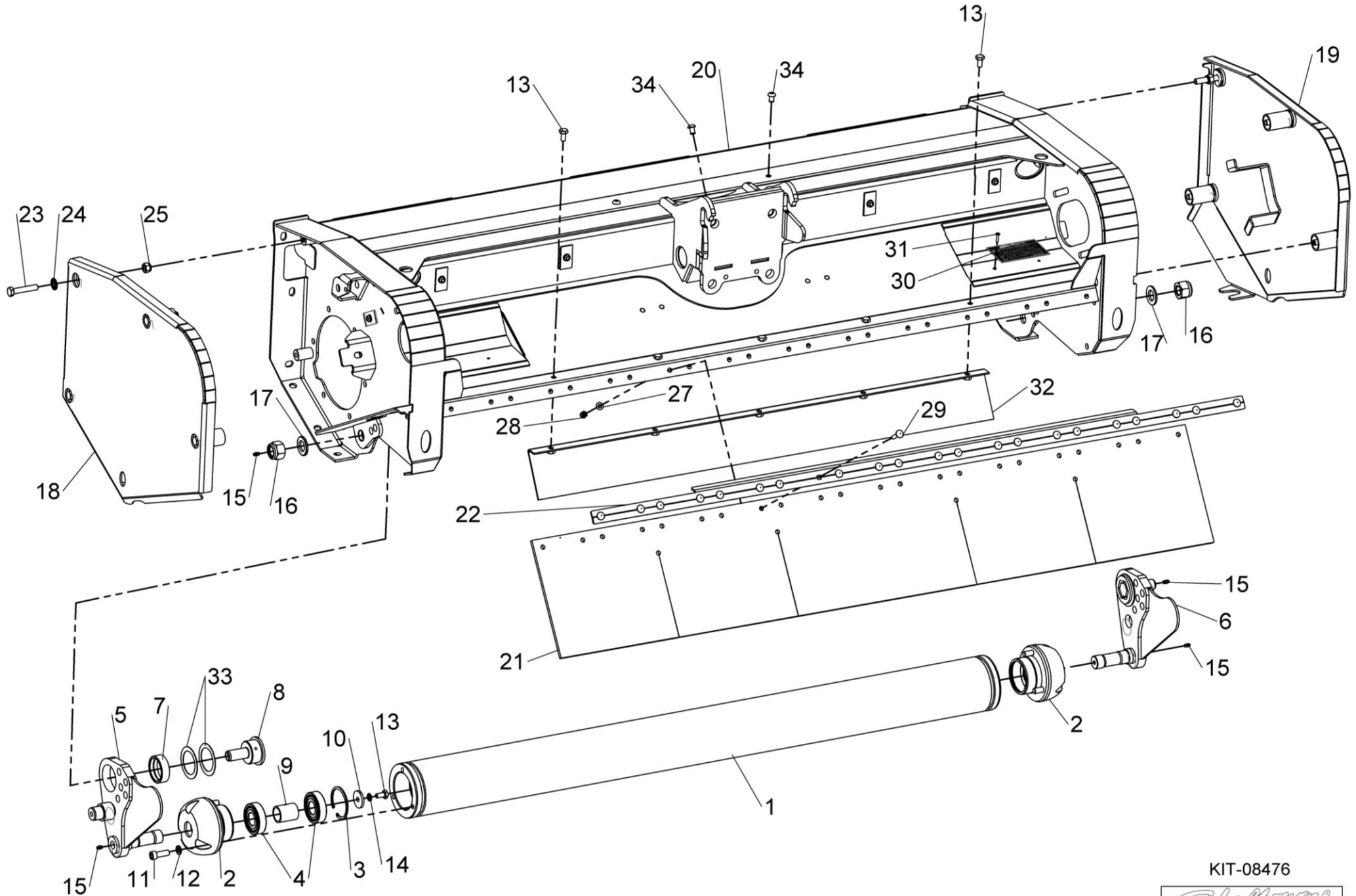
Shelbourne Reynolds Engineering Limited

ASSY NUMBER: KIT-08475				ASSY DESCRIPTION: 1.6m NOSE KIT (THC16210184 TO THC1X220344)			
ITEM	PART NO	DESCRIPTION	QTY	ITEM	PART NO	DESCRIPTION	QTY
1	806899 01	HYD NOSE W/A HC1600	1				
2	806895 01	SIDE PLATE W/A LH	1				
3	806895 02	SIDE PLATE W/A RH	1				
4	805300 01	PANEL W/A LH	1				
5	805300 02	PANEL W/A RH	1				
6	806915 01	HINGE PIN HC1600	1				
7	805446 01	CURTAIN 1.6m	1				
8	805958 01	CLAMP PLATE	1				
9	805451 01	SIDE CLAMP	2				
10	198800 88	WASHER	2				
11	PIN-1150	SPLIT PIN	2				
12	WSH-0012	PLAIN WASHER	28				
13	WSH-0058	SPRING WASHER	32				
14	HSS-0140	SETSCREW	10				
15	HSS-0152	SETSCREW	22				
16	WSH-0018	PLAIN WASHER	10				
17	WSH-0065	SPRING WASHER	2				
18	NUT-0269	NYLOC NUT	4				
19	HSS-0241	SETSCREW	6				
20	WSHA30161	LOCK WASHER	2				
21	HSS-0312	SETSCREW	2				



Shelbourne Reynolds Engineering Limited

ASSY NUMBER: KIT-08476				ASSY DESCRIPTION: 1.6M HEAD SHELL ASSY (THC16210184 & ON)			
ITEM	PART NO	DESCRIPTION	QTY	ITEM	PART NO	DESCRIPTION	QTY
1	805933 01	ROLLER	1				
2	805896 01	END CAP	2				
3	CIR-0720	CIRCLIP	2				
4	BRG-13005	BEARING	4				
5	805891 01	LH ADJ BRACKET	1				
6	805891 02	RH ADJ BRACKET	1				
7	802667 01	BUSH	2				
8	804979 01	PIVOT STUB	2				
9	801950 01	SPACER TUBE	2				
10	190548 01	WASHER	2				
11	SCW-0245	CAP HD SCREW	6				
12	WSH-0065	SPRING WASHER	6				
13	HSS-0188	SET SCREW	7				
14	WSH-0061	WASHER	7				
15	NIP-00600	GREASE NIPPLE	4				
16	NUT-0275	NYLOC NUT	2				
17	WSH-0036	WASHER	2				
18	806208 01	LH SIDE GUARD W/A	1				
19	806208 02	RH SIDE GUARD W/A	1				
20	806908 01	1.6m HEAD SHELL	1				
21	805955 01	CURTAIN	1				
22	805954 01	CLAMP STRIP	1				
23	HSS-0275	SETSCREW	8				
24	WSHA30121	LOCK WASHER	8				
25	NUT-0269	NYLOC NUT	8				
26							
27	WSH-0012	WASHER	22				
28	NUT-0263	NYLOC NUT	22				
29	BLT-2730	COACHBOLT	22				
30	290526 01	SERIAL PLATE	1				
31	POP-0006	POP RIVET	2				
32	806990 01	HC1600 DEFLECTOR PLATE WA	1				
33	802673 01	SHIM	4				
34	SCBA10114	BUTT.HD SCREW	6				

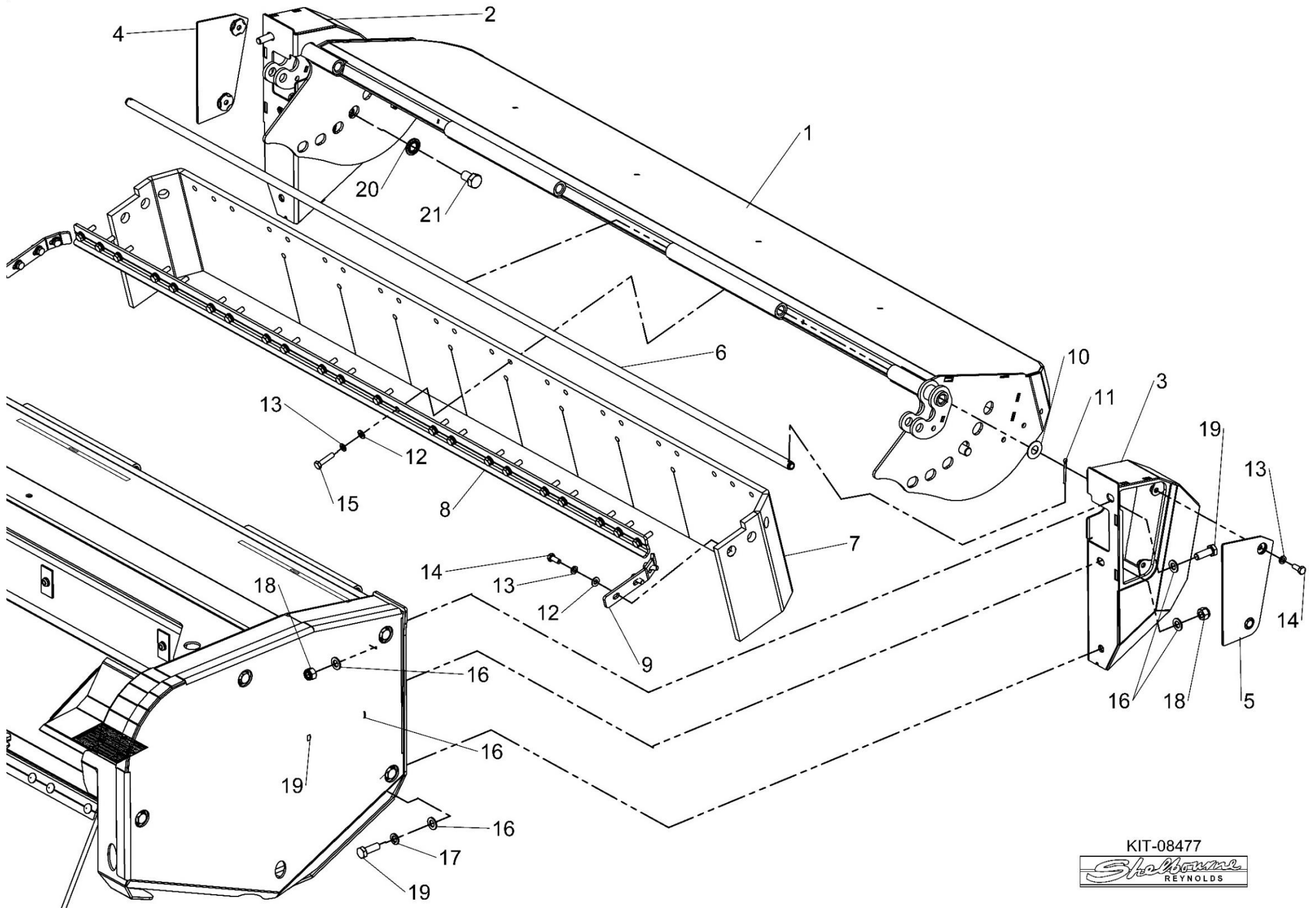


KIT-08476



Shelbourne Reynolds Engineering Limited

ASSY NUMBER: KIT-08477				ASSY DESCRIPTION: 1.2m NOSE KIT (THC12210184 TO THC1X220344)			
ITEM	PART NO	DESCRIPTION	QTY	ITEM	PART NO	DESCRIPTION	QTY
1	806993 01	HYD NOSE W/A	1				
2	806895 01	SIDE PLATE W/A LH	1				
3	806895 02	SIDE PLATE W/A RH	1				
4	805300 01	PANEL W/A	1				
5	805300 02	PANEL W/A	1				
6	806915 02	HINGE PIN HC1200	1				
7	806066 01	CURTAIN 1.2m	1				
8	806067 01	CLAMP STRIP	1				
9	805451 01	SIDE CLAMP	2				
10	198800 88	WASHER	2				
11	PIN-1150	SPLIT PIN	2				
12	WSH-0012	PLAIN WASHER	22				
13	WSH-0058	SPRING WASHER	22				
14	HSS-0140	SETSCREW	10				
15	HSS-0152	SETSCREW	16				
16	WSH-0018	PLAIN WASHER	10				
17	WSH-0065	SPRING WASHER	2				
18	NUT-0269	NYLOC NUT	4				
19	HSS-0241	SETSCREW	6				
20	WSHA30161	LOCK WASHER	2				
21	HSS-0312	SETSCREW	2				



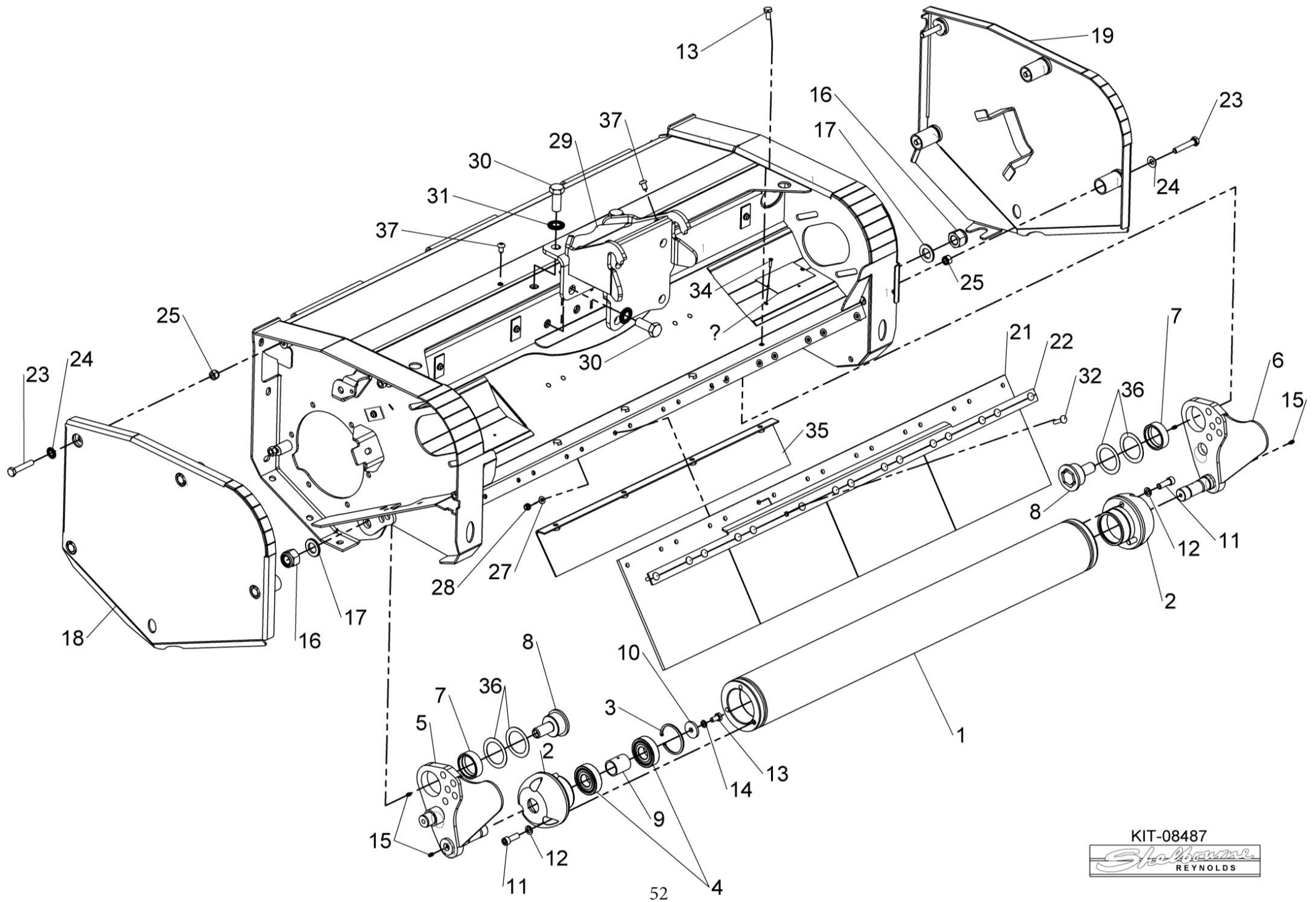
KIT-08477



Shelbourne Reynolds Engineering Limited

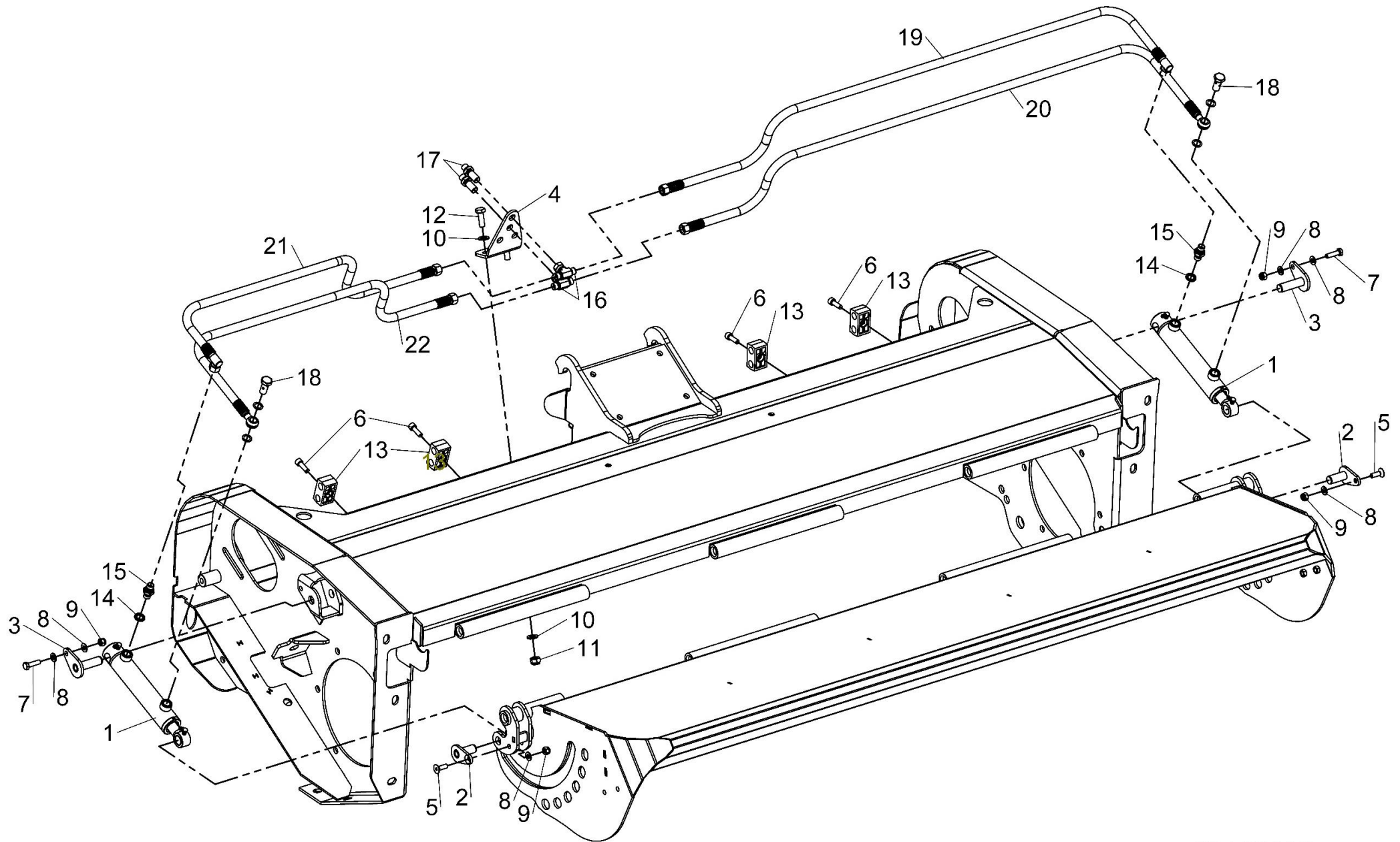
ASSY NUMBER: KIT-08478				ASSY DESCRIPTION: 1.2M HEAD SHELL ASSY (THC12210184 & ON)			
ITEM	PART NO	DESCRIPTION	QTY	ITEM	PART NO	DESCRIPTION	QTY
1	805933 02	ROLLER	1				
2	805896 01	END CAP	2				
3	CIR-0720	CIRCLIP	2				
4	BRG-13005	BEARING	4				
5	805891 01	LH ADJ BRACKET	1				
6	805891 02	RH ADJ BRACKET	1				
7	802667 01	BUSH	2				
8	804979 01	PIVOT STUB	2				
9	801950 01	SPACER TUBE	2				
10	190548 01	WASHER	2				
11	SCW-0245	CAP HD SCREW	6				
12	WSH-0065	SPRING WASHER	6				
13	HSS-0188	SET SCREW	4				
14	WSH-0061	WASHER	4				
15	NIP-00600	GREASE NIPPLE	4				
16	NUT-0275	NYLOC NUT	2				
17	WSH-0036	WASHER	2				
18	806208 01	LH SIDE GUARD W/A	1				
19	806208 02	RH SIDE GUARD W/A	1				
20	806992 01	1.2m HEAD SHELL W/A	1				
21	806060 01	CURTAIN	1				
22	806062 01	CLAMP STRIP	1				
23	HSS-0275	SETSCREW	8				
24	WSHA30121	LOCK WASHER	8				
25	NUT-0269	NYLOC NUT	8				
26							
27	WSH-0012	WASHER	16				
28	NUT-0263	NYLOC NUT	16				
29	806399 01	HEAD BRACKET W/A	1				
30	HSS-0355	SETSCREW	6				
31	WSHA30201	WASHER	6				
32	BLT-2730	COACHBOLT	16				
33	290526 01	SERIAL PLATE	1				
34	POP-0006	POP RIVET	2				
35	807011 01	HC1200 DEFLECTOR PLATE WA	1				
36	802673 01	SHIM	4				
37	SCBA10114	BUTT.HD SCREW	6				

Shelbourne Reynolds Engineering Limited



Shelbourne Reynolds Engineering Limited

ASSY NUMBER: KIT-08493				ASSY DESCRIPTION: HC1600 NOSE HYD KIT (THC16210184 & ON)			
ITEM	PART NO	DESCRIPTION	QTY	ITEM	PART NO	DESCRIPTION	QTY
1	807578 01	HYD NOSE CYL THC1X240599 & ON	2				
OR	RAM-0032	HYD NOSE CYL UPTO THC1X240599	2				
2	805621 01	PIVOT PIN W/A	2				
3	805153 01	RAM PIVOT PLATE W/A	2				
4	807508 01	BULKHEAD BRKT	1				
5	SCW-1740	COUNTERSINK SCREW	2				
6	SCW-0136	CAP HEAD SCREW	4				
7	HSS-0150	BOLT	2				
8	WSH-0012	WASHER	6				
9	NUT-0263	NYLOC NUT	4		KIT-08493	HC1600 NOSE HYDRAULICS KIT	
10	WSH-0015	PLAIN WASHER	4		KIT-08493 HYD	HC1600 NOSE HYD	
11	NUT-0265	NYLOC NUT	2				
12	HSS-0194	BOLT	2				
13	HCPD01400	HYDRAULIC PIPE CLAMP	4				
14	WSH-1005	DOWTY WASHER	6				
15	HMA-0052	ADAPTOR	4				
16	FITA10130	TEE FITTING	2				
17	HBK-0010	BULKHEAD	2				
18	HFAW50003	BANJO BOLT & SEALS	2				
19	HHCC12105	HOSE MOT-BDY	1				
20	HHLC13505	HOSE MOT-ANN	1				
21	HHCC07705	HOSE IDLE-BDY	1				
22	HHLC09005	HOSE IDLE-ANN	1				

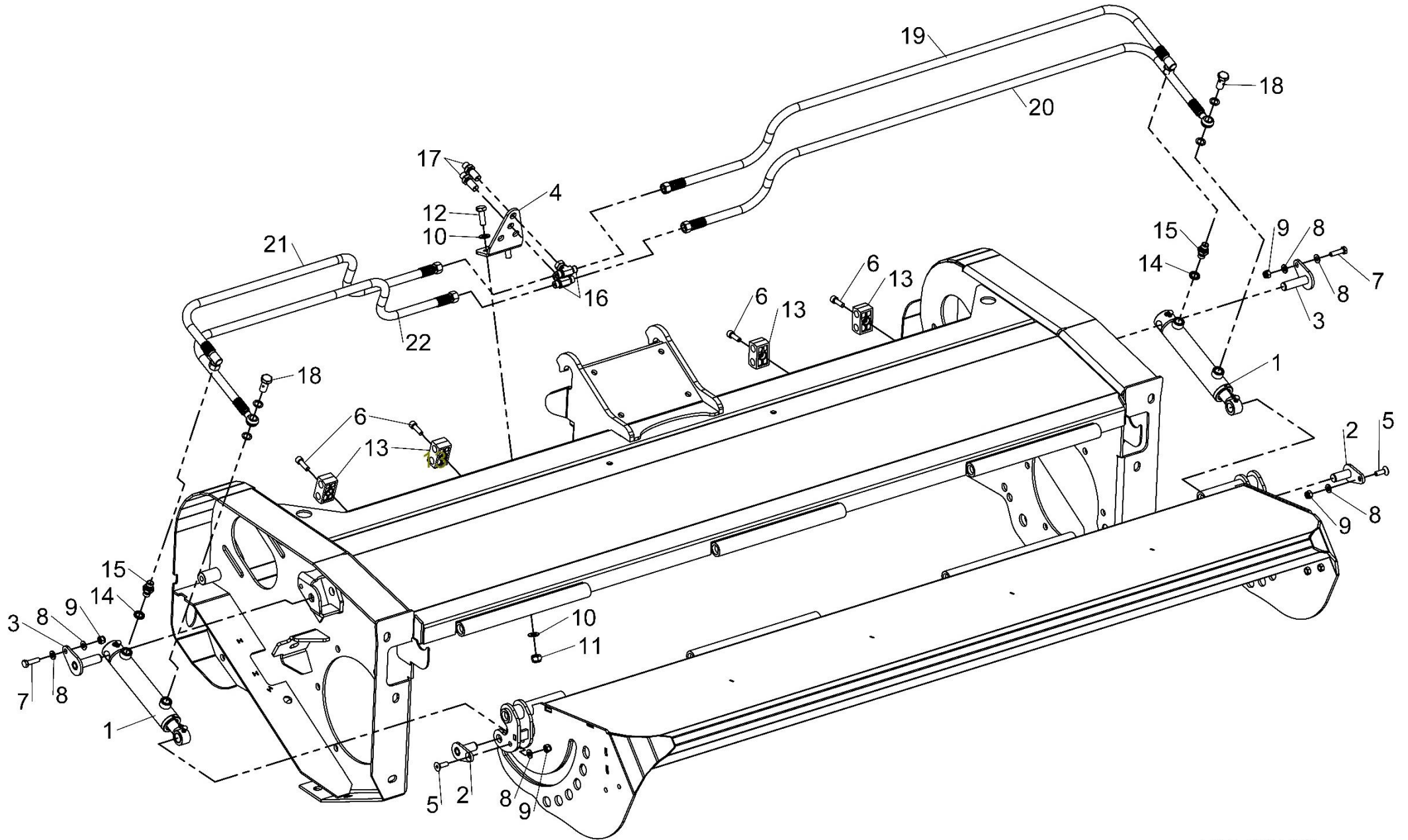


KIT-08493
KIT-08494



Shelbourne Reynolds Engineering Limited

ASSY NUMBER: KIT-08494				ASSY DESCRIPTION: HC1200 NOSE HYD KIT (THC12210184 & ON)			
ITEM	PART NO	DESCRIPTION	QTY	ITEM	PART NO	DESCRIPTION	QTY
1	807578 01	HYD NOSE CYL THC1X240599 & ON	2				
OR	RAM-0032	HYD NOSE CYL UPTO THC1X240599	2				
2	805621 01	PIVOT PIN W/A	2				
3	805153 01	RAM PIVOT PLATE W/A	2				
4	807508 01	BULKHEAD BRKT	1				
5	SCW-1740	COUNTERSINK SCREW	2				
6	SCW-0136	CAP HEAD SCREW	3				
7	HSS-0150	BOLT	2				
8	WSH-0012	WASHER	6				
9	NUT-0263	NYLOC NUT	4				
10	WSH-0015	PLAIN WASHER	4				
11	NUT-0265	NYLOC NUT	2				
12	HSS-0194	BOLT	2				
13	HCPD01400	HYDRAULIC PIPE CLAMP	3				
14	WSH-1005	DOWTY WASHER	2				
15	HMA-0052	ADAPTOR	2				
16	FITA10130	TEE FITTING	2				
17	HBK-0010	BULKHEAD	2				
18	HFAW50003	BANJO BOLT & SEALS	2				
19	HHCC10005	HOSE MOT-BDY	1				
20	HHLC11505	HOSE MOT-ANN	1				
21	HHCC06005	HOSE IDLE-BDY	1				
22	HHLC07005	HOSE IDLE-ANN	1				
					KIT-08494	HC1200 NOSE HYDRAULICS KIT	
					KIT-08494 HYD	HC1200 NOSE HYD	

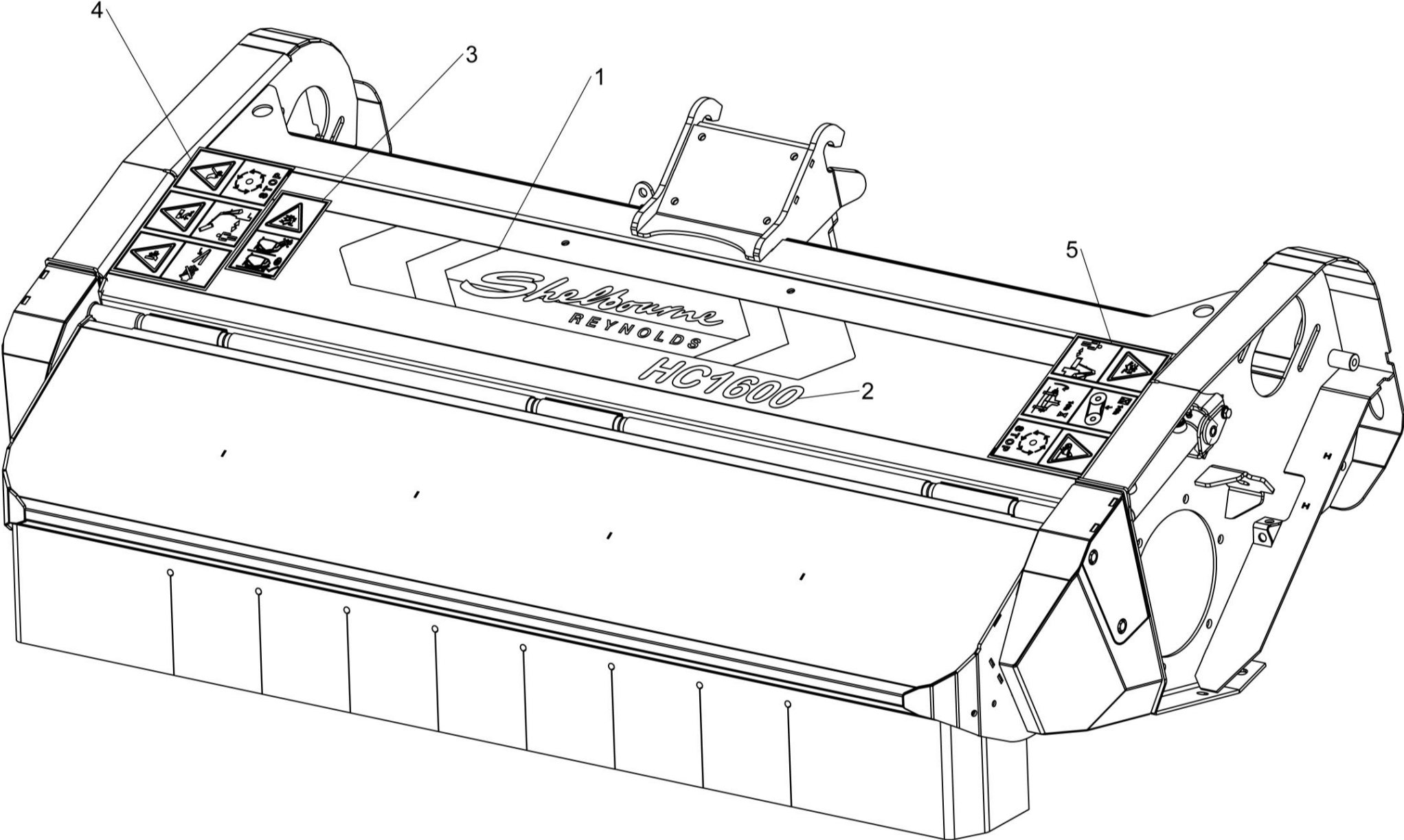


KIT-08493
KIT-08494



Shelbourne Reynolds Engineering Limited

ASSY NUMBER: KIT-08496				ASSY DESCRIPTION: HC HEAD TRANSFERS			
ITEM	PART NO	DESCRIPTION	QTY	ITEM	PART NO	DESCRIPTION	QTY
1	806786 01	SHELBOURNE TRANSFER HD	1				
2	805472 01	TRANSFER (FLY OBJECTS)	1				
3	805600 01	MULTI TRANSFER	1				
4	805601 01	MULTI TRANSFER	1				
5	805392 01	HEAD ID TRANSFER HC1200	1				
OR	805193 01	HEAD ID TRANSFER HC1600	1				
					KIT-08496	HC1200 HEAD TRANSFERS	
					KIT-08496A	HC1600 HEAD TRANSFERS	

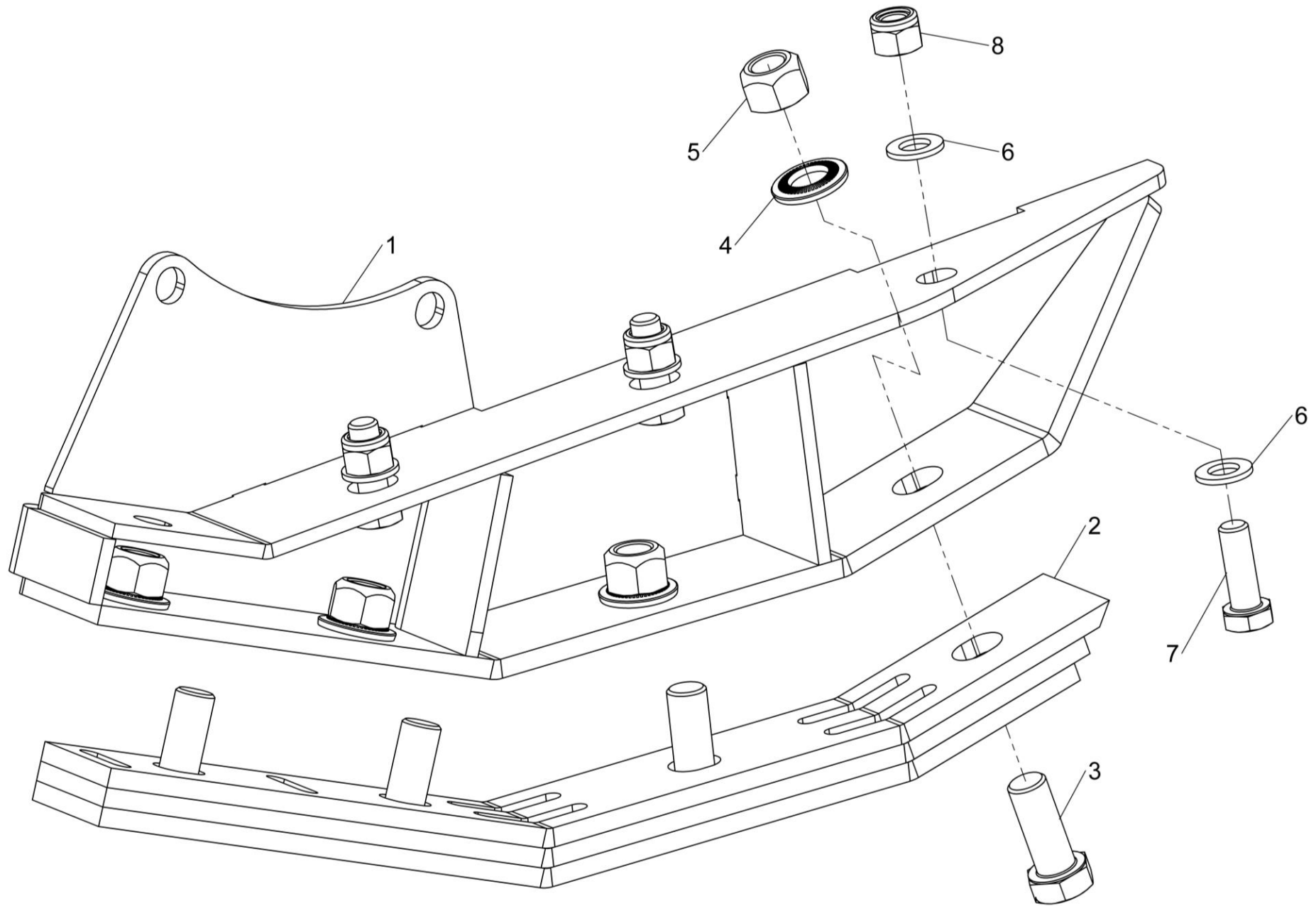


KIT-08496



Shelbourne Reynolds Engineering Limited

ASSY NUMBER: KIT-08504				ASSY DESCRIPTION: HC HEAD RH VERGE SKID KIT			
ITEM	PART NO	DESCRIPTION	QTY	ITEM	PART NO	DESCRIPTION	QTY
1	806231 01	RH SKID	1				
2	805186 01	SKID RUNNER	1				
3	HSS-0316	HEX HEAD SETSCREW	4				
4	WSHA30161	LOCK WASHER	4				
5	NUTA15162	STOVER NUT	4				
6	WSH-0018	PLAIN WASHER	6				
7	HSS-0241	HEX HEAD SETSCREW	3				
8	NUT-0269	NYLOC NUT	3				



KIT-08504



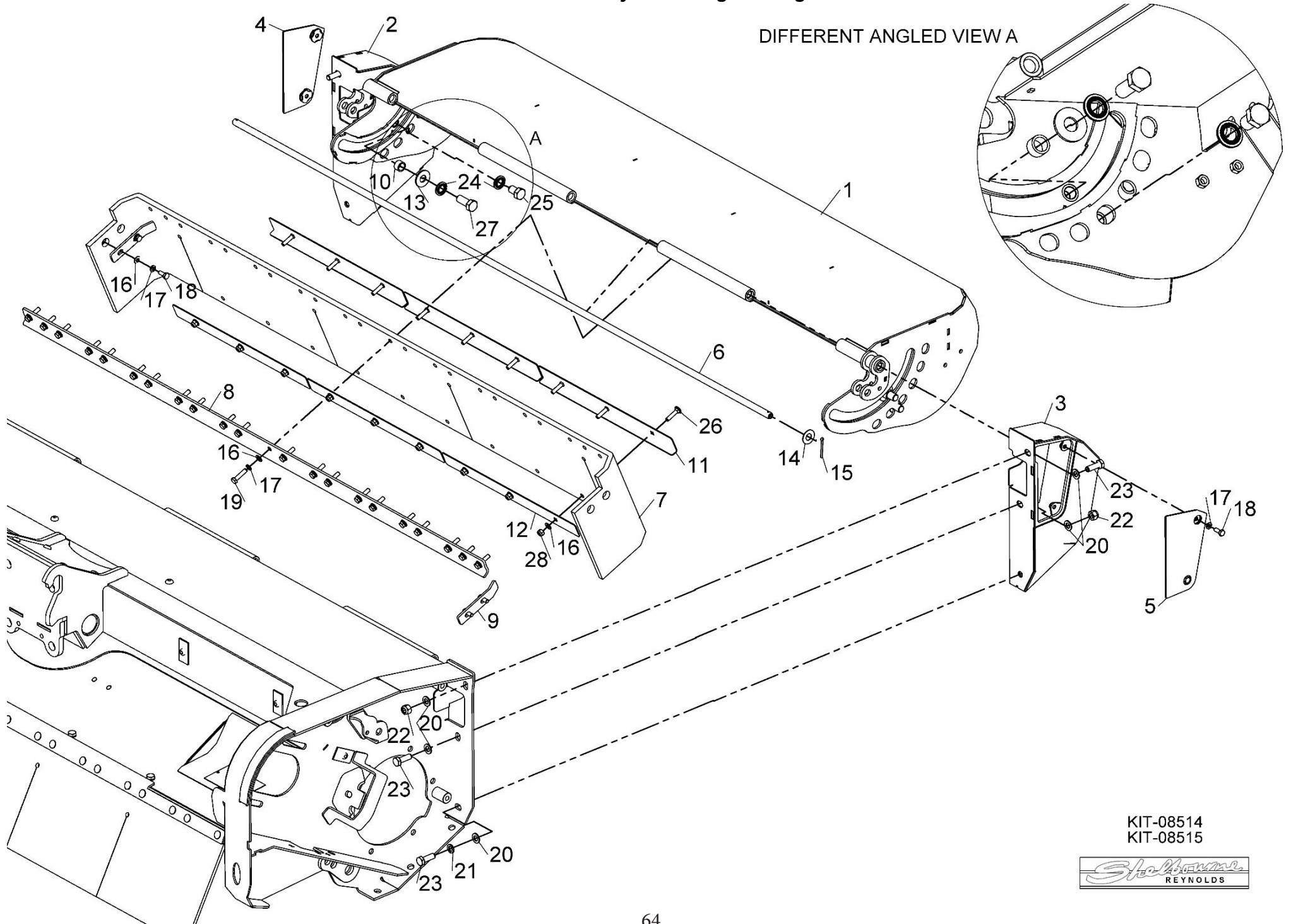
Shelbourne Reynolds Engineering Limited

ASSY NUMBER: KIT-08514				ASSY DESCRIPTION: HYDRAULIC NOSE KIT 1.6m (THC1X220345 & ON)			
ITEM	PART NO	DESCRIPTION	QTY	ITEM	PART NO	DESCRIPTION	QTY
1	807272 01	HYD NOSE W/A HC 1600	1				
2	807520 01	LH SIDE PLATE W/A THC16230461& ON	1				
OR	807273 01	LH SIDE PLATE W/A UPTO THC16230461	1				
3	807520 02	RH SIDE PLATE W/A THC16230461& ON	1				
OR	807273 02	RH SIDE PLATE W/A UPTO THC16230461	1				
4	805300 01	PANEL W/A	1				
5	805300 02	PANEL W/A	1				
6	807574 01	HINGE PIN 1.6m (THC1X230499 & ON)	1				
OR	806915 01	HINGE PIN 1.6m (UPTO THC1X230499)	1				
7	807492 01	CURTAIN 1.6m (THC1X230409 & ON)	1				
OR	807297 01	CURTAIN 1.6m (UP TO THC1X230409)	1				
8	805958 01	CLAMP PLATE	1				
9	807298 01	SIDE CLAMP	2				
10	807276 01	TUBE	2				
11	807495 01	FRONT LIP (THC1X230409 & ON)	3				
OR	807305 01	FRONT LIP (UP TO THC1X230409)	3				
12	807494 01	BACKING PLATE (THC1X230409 & ON)	3				
OR	807306 01	BACKING PLATE (UP TO THC1X230409)	3				
13	198800 38	SPACER	2				
14	198800 88	WASHER	2				
15	PIN-1150	SPLIT PIN	2				
16	WSH-0012	PLAIN WASHER	35				
17	WSH-0058	SPRING WASHER	30				
18	HSS-0140	SETSCREW	8				
19	HSS-0152	SETSCREW	22				
20	WSH-0018	PLAIN WASHER	5				
21	WSH-0065	SPRING WASHER	1				
22	NUT-0269	NYLOC NUT	2				
23	HSS-0241	SETSCREW	3				
24	WSHA30161	LOCK WASHER	4				
25	HSS-0312	SETSCREW	2				
26	BLT-2730	COACH BOLT	9				
27	HSS-0316	SETSCREW	2				
28	NUT-0263	NYLOC NUT	9				

Shelbourne Reynolds Engineering Limited

ASSY NUMBER: KIT-08515				ASSY DESCRIPTION: HYDRAULIC NOSE KIT 1.2m (THC1x220345 & ON)			
ITEM	PART NO	DESCRIPTION	QTY	ITEM	PART NO	DESCRIPTION	QTY
1	807300 01	HYD NOSE W/A HC 1200	1				
2	807520 01	LH SIDE PLATE W/A THC16230461 & ON	1				
OR	807273 01	LH SIDE PLATE W/A UPTO THC16230461	1				
3	807520 02	RH SIDE PLATE W/A THC16230461 & ON	1				
OR	807273 02	RH SIDE PLATE W/A UPTO THC16230461	1				
4	805300 01	PANEL W/A	1				
5	805300 02	PANEL W/A	1				
6	807574 02	HINGE PIN 1.2m(THC1X230499 & ON)	1				
OR	806915 02	HINGE PIN 1.2m(UPTO THC1X230499)	1				
7	807493 01	CURTAIN 1.2m (THC12230407 & ON)	1				
OR	807303 01	CURTAIN 1.2m (UPTO THC12230407)	1				
8	806067 01	CLAMP PLATE	1				
9	807298 01	SIDE CLAMP	2				
10	807276 01	TUBE	2				
11	807496 01	FRONT LIP (THC12230407 & ON)	3				
OR	807307 01	FRONT LIP (UPTO THC12230407)	3				
12	807497 01	BACK PLATE (THC12230407 & ON)	3				
OR	807308 01	BACK PLATE (UPTO THC12230407)	3				
13	198800 38	SPACER	2				
14	198800 88	WASHER	2				
15	PIN-1150	SPLIT PIN	2				
16	WSH-0012	PLAIN WASHER	29				
17	WSH-0058	SPRING WASHER	24				
18	HSS-0140	SETSCREW	8				
19	HSS-0152	SETSCREW	16				
20	WSH-0018	PLAIN WASHER	10				
21	WSH-0065	SPRING WASHER	2				
22	NUT-0269	NYLOC NUT	4				
23	HSS-0241	SETSCREW	6				
24	WSHA30161	LOCK WASHER	4				
25	HSS-0312	SETSCREW	2				
26	BLT-2730	COACH BOLT	9				
27	HSS-0316	SETSCREW	2				
28	NUT-0263	NYLOC NUT	9				

DIFFERENT ANGLED VIEW A



KIT-08514
KIT-08515

