

HC HEAD 1.2m & 1.6m PARTS MANUAL 2017 UPTO 2019



POWER
ERASER
BLADE

Shelbourne Reynolds Engineering Ltd
Stanton
Bury St Edmunds
Suffolk
IP31 2AR
England

Telephone: 01359 250415
Fax: 01359 250464

Stores Direct : 01359 251231
Stores Direct: 01359 252031

Issue 5 12/01/2022

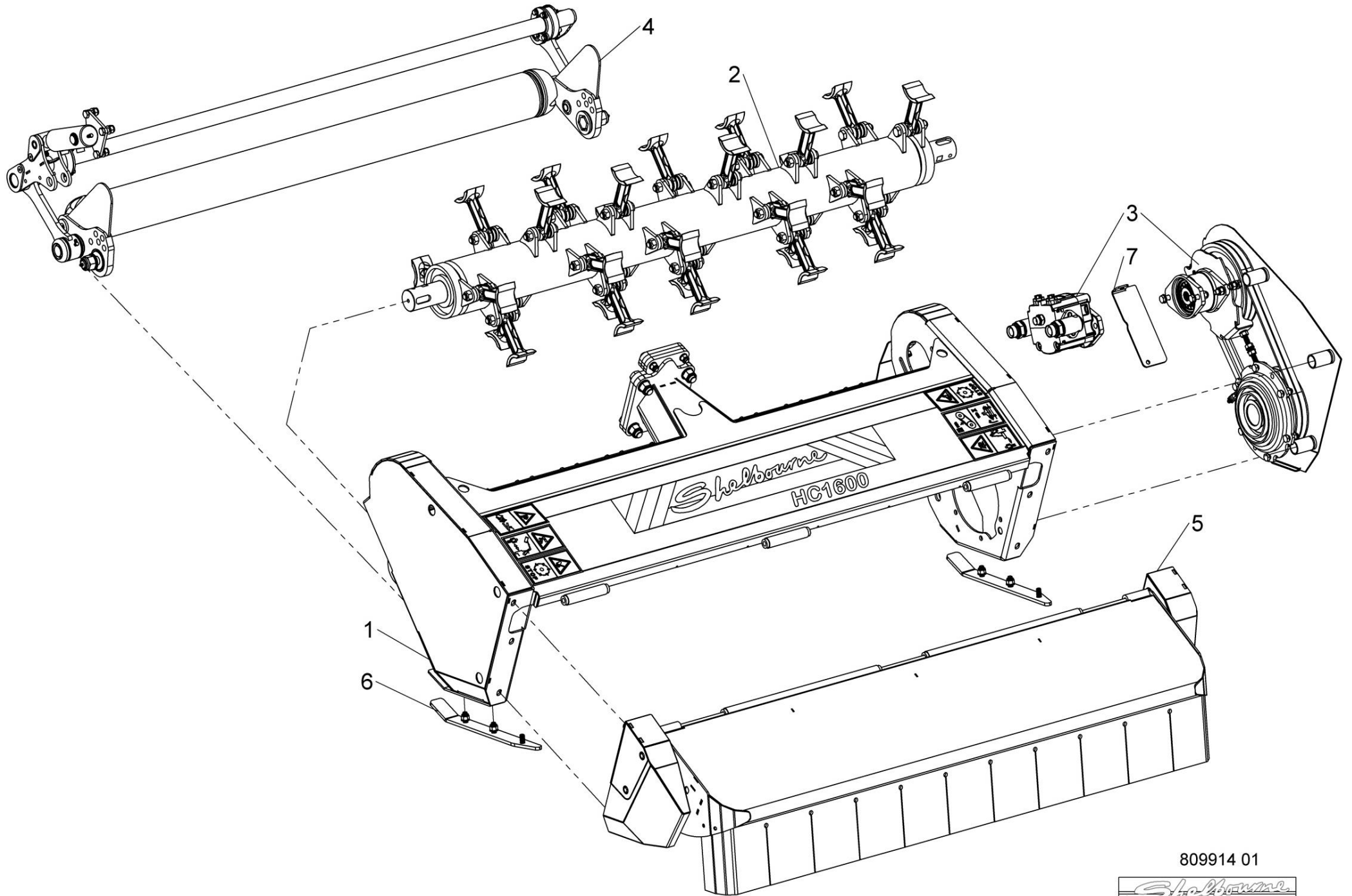
List Of Kit Numbers

809914 01	HC1600 Head Assembly	4
809916 01	HC1200 Head Assembly	6
	Kit Options	9
KIT-08302	1.6m Flail Assembly	10
KIT-08303	1.6m Head Shell Sub Assembly	12
KIT-08304	1.6m Roller Linkage Kit	14
KIT-08305	Flail Mounting And Drive Assembly	16
KIT-08309	Verge Skid Kit	18
KIT-08310	Standard Skid Kit	20
KIT-08311	Head Standard Power Kit	22
KIT-08312	Head High Power Kit	24
KIT-08313	HC1600 Head Hydraulics	26
KIT-08314	HC1600 Head Transfers	28
KIT-08325	1.6m Nose Kit	30
KIT-08326	1.6m Hydraulics For Adjustable Nose	32
KIT-08328	Handed Parts For HC Head	34
KIT-08329	1.2m Flail Assembly	36
KIT-08330	1.2m Head Shell Sub Assembly	38
KIT-08333	1.2m Head Roller Linkage Kit	40
KIT-08334	1.2m Nose Kit	42
KIT-08335	HC1200 Head Transfers	44
KIT-08336	1.2m Hydraulics For Adjustable Nose Kit	46
KIT-08337	Head Mount	48
KIT-08338	HC1200 Head Hydraulics	50

Shelbourne Reynolds Engineering Limited

ASSY NUMBER: 809914 01				ASSY DESCRIPTION: HC1600 HEAD ASSY			
ITEM	PART NO	DESCRIPTION	QTY	ITEM	PART NO	DESCRIPTION	QTY
1	KIT-08303	1.6m HEAD SHELL ASSY	1				
2	KIT-08302D	T FLAIL ASSY (DROP FORGED)	1				
OR	KIT-08302A	T FLAIL ASSY (CAST)	1				
OR	KIT-08302C	COMP FLAIL ASSY (CAST)	1				
3	KIT-08305	FLAIL MTG.& DRIVE ASSY	1				
4	KIT-08304	1.6m ROLLER KIT	1				
5	KIT-08325	1.6m NOSE KIT	1				
6	KIT-08310	STD SKID KIT	1				
OR	KIT-08327	VERGE SKID KIT MEDIUM	1				
OR	KIT-08309	VERGE SKID KIT	1				
7	KIT-08328A	LH PARTS FOR HC HEAD	1				
OR	KIT-08328B	RH PARTS FOR HC HEAD	1				

Shelbourne Reynolds Engineering Limited



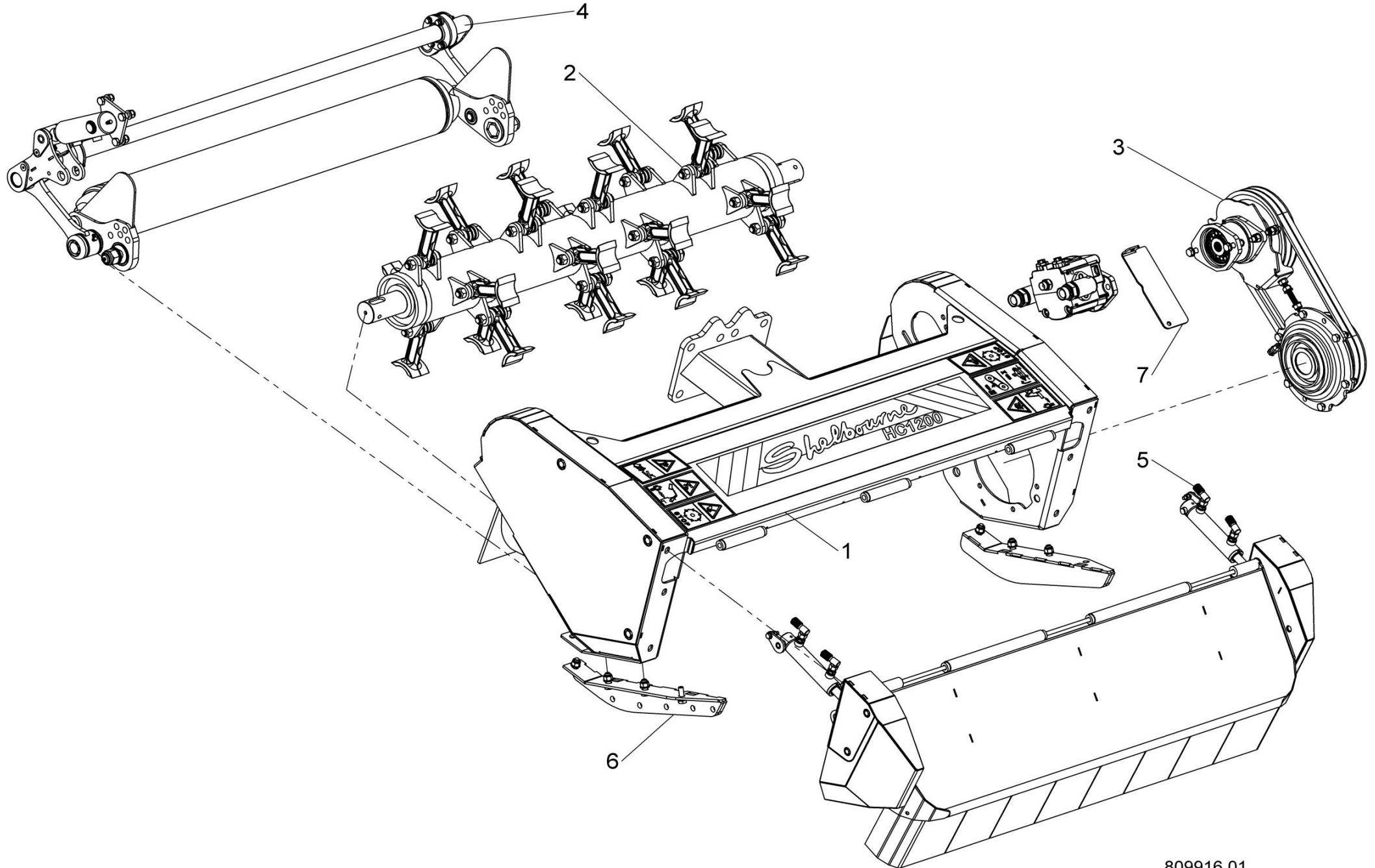
809914 01



Shelbourne Reynolds Engineering Limited

ASSY NUMBER: 809916 01				ASSY DESCRIPTION: HC1200 HEAD ASSY			
ITEM	PART NO	DESCRIPTION	QTY	ITEM	PART NO	DESCRIPTION	QTY
1	KIT-08330	1.2M HEAD SHELL ASSY	1				
2	KIT-08329D	1.2M T FLAIL ASSY(DROP FORGED)	1				
OR	KIT-08329A	1.2M T FLAIL ASSY (CAST)	1				
OR	KIT-08329C	1.2M COMP FLAIL ASSY (CAST)	1				
3	KIT-08305	FLAIL MTG & DRIVE ASSY	1				
4	KIT-08333	1.2M ROLLER KIT	1				
5	KIT-08334	1.2M NOSE KIT	1				
6	KIT-08310	STD SKID KIT	1				
OR	KIT-08327	VERGE SKID KIT MEDIUM	1				
OR	KIT-08309	VERGE SKID KIT	1				
7	KIT-08328A	LH PARTS FOR HC HEAD	1				
OR	KIT-08328B	RH PARTS FOR HC HEAD	1				

Shelbourne Reynolds Engineering Limited



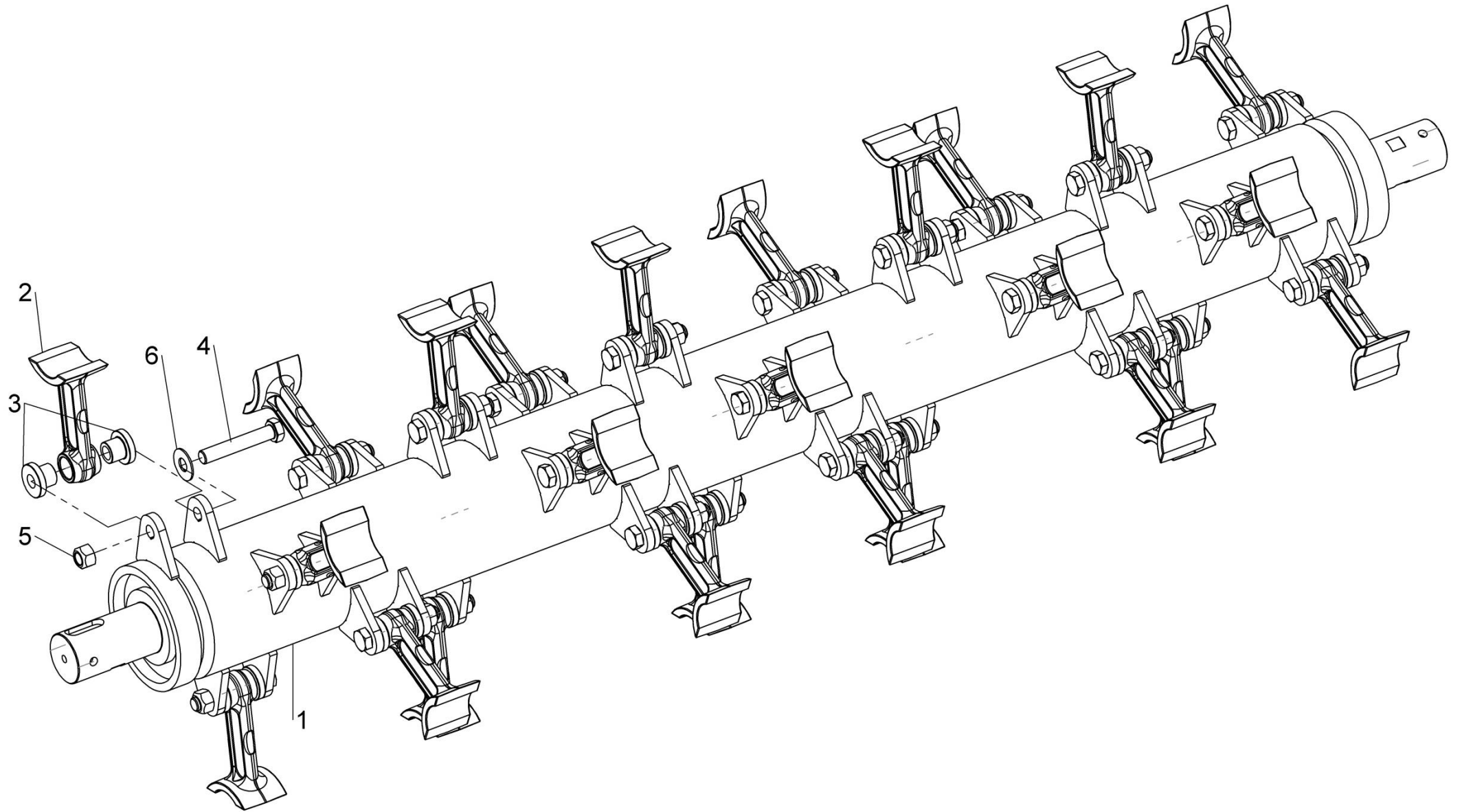
809916 01



Kit Options

Shelbourne Reynolds Engineering Limited

ASSY NUMBER:		KIT-08302		ASSY DESCRIPTION: FLAIL ASSY (1.6Mt) ALL FLAIL TYPES			
ITEM	PART NO	DESCRIPTION	QTY	ITEM	PART NO	DESCRIPTION	QTY
1	804849 01	ROTOR ASSY (1.6Mt)	1				
2	FLL-05000	T FLAIL (CAST) (KIT-08302A)	30			FOR COMPLETE FLAIL	
OR	FLL-05005S	T FLAIL (DROP FORGED) (KIT-08302D)	30			ASSEMBLY ORDER PART NO'S.:	
OR	FLL-20000	COMP FLAIL (CAST) (KIT-08302C)	30				
3	805046 01	SPACER	60			KIT-08302A-T FLAILS (CAST)	
4	BLTD16554	BOLT	30				
OR	BLTD16574	BOLT	AR			KIT-08302C-COMPETITION	
OR	BLTD16604	BOLT	AR			(CAST) FLAILS	
OR	BLTD16654	BOLT	AR				
5	NUTF15162	STOVER NUT	30			KIT-08302D-T FLAIL	
6	800274 01	BALANCE WEIGHT (20G)	AR			(DROP FORGED)	
OR	800274 02	BALANCE WEIGHT (30G)	AR				
OR	800274 03	BALANCE WEIGHT (50G)	AR				
						** <u>IMPORTANT</u> **	
						ENSURE BALANCE WEIGHTS ARE NOT MOVED WHEN REPLACING FLAILS. EXACT POSITIONING IS CRITICAL TO SMOOTH RUNNING	



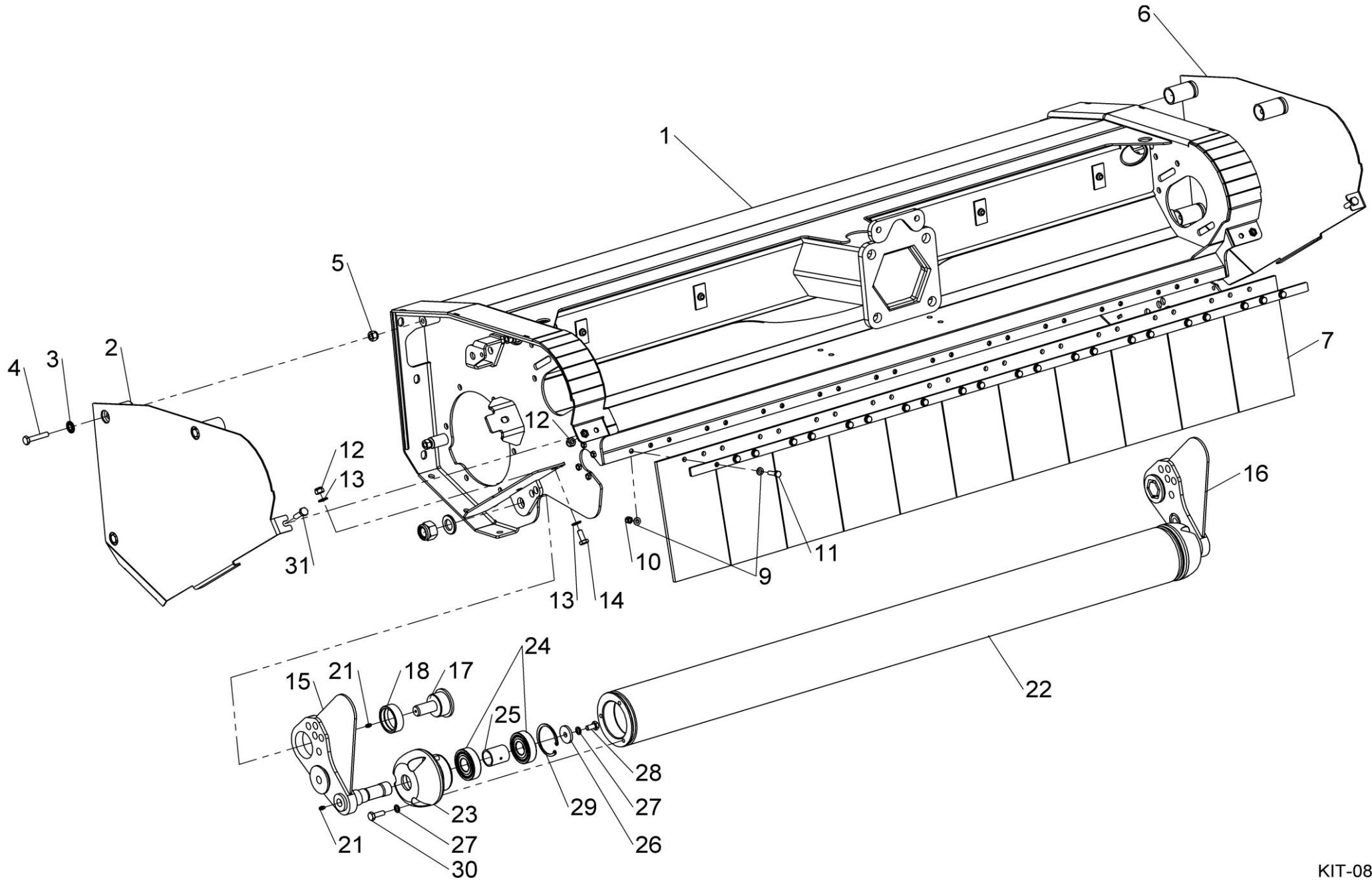
KIT-08302



Shelbourne Reynolds Engineering Limited

ASSY NUMBER: KIT-08303				ASSY DESCRIPTION: 1.6m HEAD SHELL SUB ASSY			
ITEM	PART NO	DESCRIPTION	QTY	ITEM	PART NO	DESCRIPTION	QTY
1	804999 01	1.6m HEAD SHELL W/A	1				
2	805132 01	LH SIDE GUARD W/A	1				
3	WSHA30121	LOCKWASHER	6				
4	BLTA10350	BOLT	6				
5	NUT-0269	NUT	6				
6	805132 02	RH SIDE GUARD W/A	1				
7	805181 01	CURTAIN 1.6m	1				
8	805179 01	CLAMP STRIP	1				
9	WSH-0012	WASHER	44				
10	NUT-0263	NUT	22				
11	HSS-0150	BOLT	22				
12	NUT-0265	NUT	4				
13	WSH-0015	WASHER	6				
14	HSS-0191	BOLT	2				
15	805034 01	LH ADJUSTABLE BRACKET W/A	1				
16	805034 02	RH ADJUSTABLE BRACKET W/A	1				
17	804979 01	PIVOT STUB	2				
18	802667 01	BUSH	2				
19	WSH-0036	WASHER	2				
20	NUT-0275	NYLOC NUT	2				
21	NIP-00600	GREASE NIPPLE	4				
22	802000 01	ROLLER 1.6m	1				
23	804974 01	END CAP	2				
24	BRG-13005	DEEP GROOVE BALL BEARING	4				
25	801950 01	SPACER TUBE	2				
26	190548 01	RETAINING WASHER	2				
27	WSH-0061	WASHER	4				
28	HSS-0188	BOLT	2				
29	CIR-0720	INTERNAL CIRCLIP	2				
30	HSS-0194	BOLT	2				
31	HSS-0198	BOLT	2				

Shelbourne Reynolds Engineering Limited



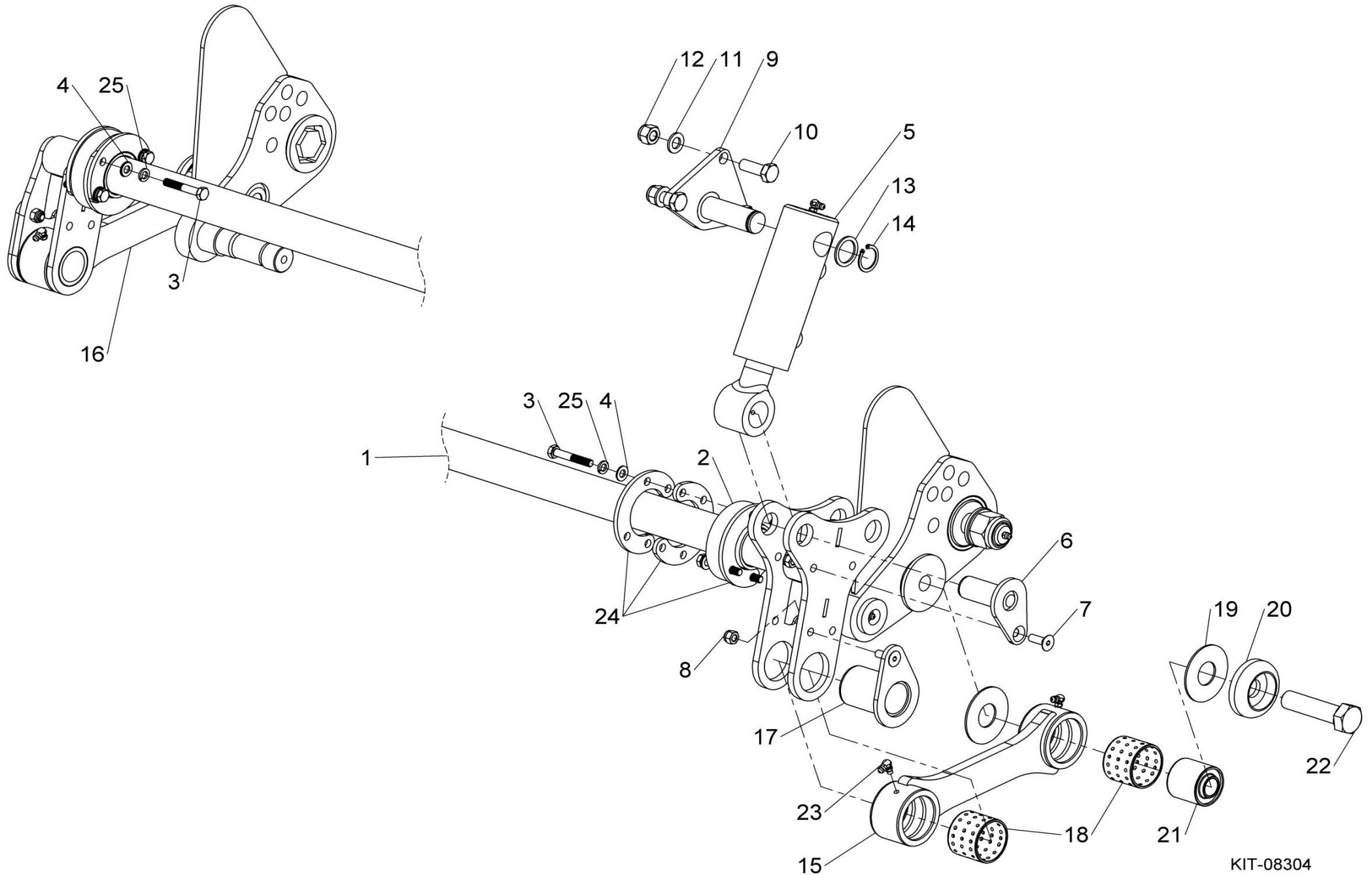
KIT-08303



Shelbourne Reynolds Engineering Limited

ASSY NUMBER: KIT-08304				ASSY DESCRIPTION: 1.6m ROLLER LINKAGE KIT			
ITEM	PART NO	DESCRIPTION	QTY	ITEM	PART NO	DESCRIPTION	QTY
1	805020 01	TORSION BAR 1.6m	1				
2	805214 01	BUSH (2 HALVES)	2				
3	BLTA08320	SETSCREW	8				
4	WSH-0012	WASHER	8				
5	804962 01	ADJ ROLLER CYLINDER	1				
6	805111 01	PIVOT PIN W/A	1				
7	SCW-1740	CSK SCREW	3				
8	NUT-0263	NYLOC NUT	11				
9	805141 01	CYLINDER BRACKET	1				
10	HSS-0241	SETSCREW	3				
11	WSH-0018	WASHER	3				
12	NUT-0269	NUT	3				
13	190548 24	WASHER	1				
14	CIR-1125	CIRCLIP	1				
15	804998 01	RH LINK W/A	1				
16	804998 02	LH LINK W/A	1				
17	805037 01	PIVOT PIN W/A	2				
18	BSHO04562	BUSH	4				
19	198800 69	WASHER	4				
20	804980 01	DOME WASHER	2				
21	BSHS47640	BUSH	2				
22	BLTA20520	BOLT	2				
23	NIP-00605	GREASE NIPPLE	4				
24	805321 01	CLAMP PLATE	6				
25	WSH-0058	WASHER	8				

Shelbourne Reynolds Engineering Limited



KIT-08304

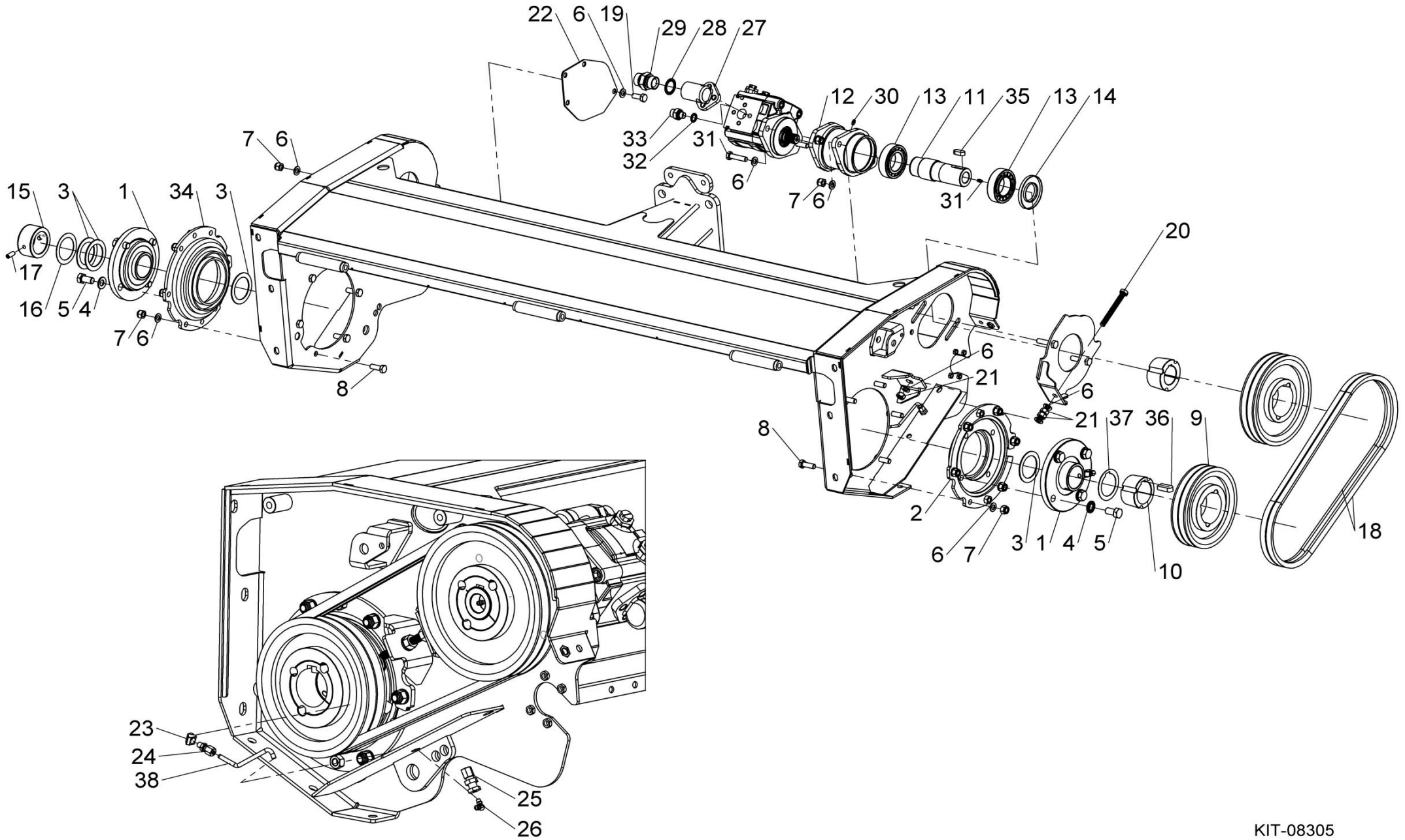


Shelbourne Reynolds Engineering Limited

ASSY NUMBER: KIT-08305				ASSY DESCRIPTION: FLAIL MTG.& DRIVE ASSY			
ITEM	PART NO	DESCRIPTION	QTY	ITEM	PART NO	DESCRIPTION	QTY
1	850082 01	BEARING	2	39	BSHZ05063	BUSH	1
2	805030 01	LH BEARING HOUSING	1	40	CIR010090	CIRCLIP	2
3	190548 31	WASHER	4	41	805320 01	GREASE PLATE	1
4	WSHA30161	WASHER	8				
5	HSSA16200	SET SCREW	8				
6	WSH-0018	PLAIN WASHER	25				
7	NUT-0269	NYLOC NUT	18				
8	HSS-0241	SET SCREW	12				
9	PUL-0105	PULLEY	1				
10	BSHZ06063	BUSH	1				
11	804895 01	OUTRIGGER SHAFT	1				
12	804896 01	OUTRIGGER HOUSING W/A	1				
13	BRG-15082	BEARING	2				
14	SEAA05090	SHAFT SEAL	1				
15	805085 01	LOCKING RING	1				
16	190548 30	WASHER	1				
17	SCGA10178	GRUB SCREW	2				
18	BEL-10150	BELT	2				
19	HSS-0238	SET SCREW	2				
20	HSSA12590	SET SCREW	1				
21	NUT-0170	PLAIN NUT	3				
22	805154 01	COVER	1				
23	LUB-00055	ADAPTOR 45 DEG	2				
24	LUB-00045	STRAIGHT ADAPTOR	2				
25	LUB-00052	BULKHEAD STRAIGHT	2				
26	NIP-00605	GREASE NIPPLE	2				
27	FITF00005	FLANGE ELBOW	2				
28	WSH-1025	DOWTY WASHER	2				
29	FIT-0546	FITTING	2				
30	NIP-00600	GREASE NIPPLE	2				
31	HSS-0260	SET SCREW	2				
32	WSH-1010	DOWTY WASHER	1				
33	HMA-0065	ADAPTOR	1				
34	850082 01	RH BEARING HOUSING W/A	1				
35	KEYA21400	KEY	1				
36	KEYA21800	KEY	1				
37	805185 01	WASHER	1				
38	LUB-00044	TUBE	0.18M				

FOR HYD MOTOR AND PULLEY SEE
KIT-08311-STD POWER KIT OR
KIT-08312-HIGH POWER KIT

Shelbourne Reynolds Engineering Limited



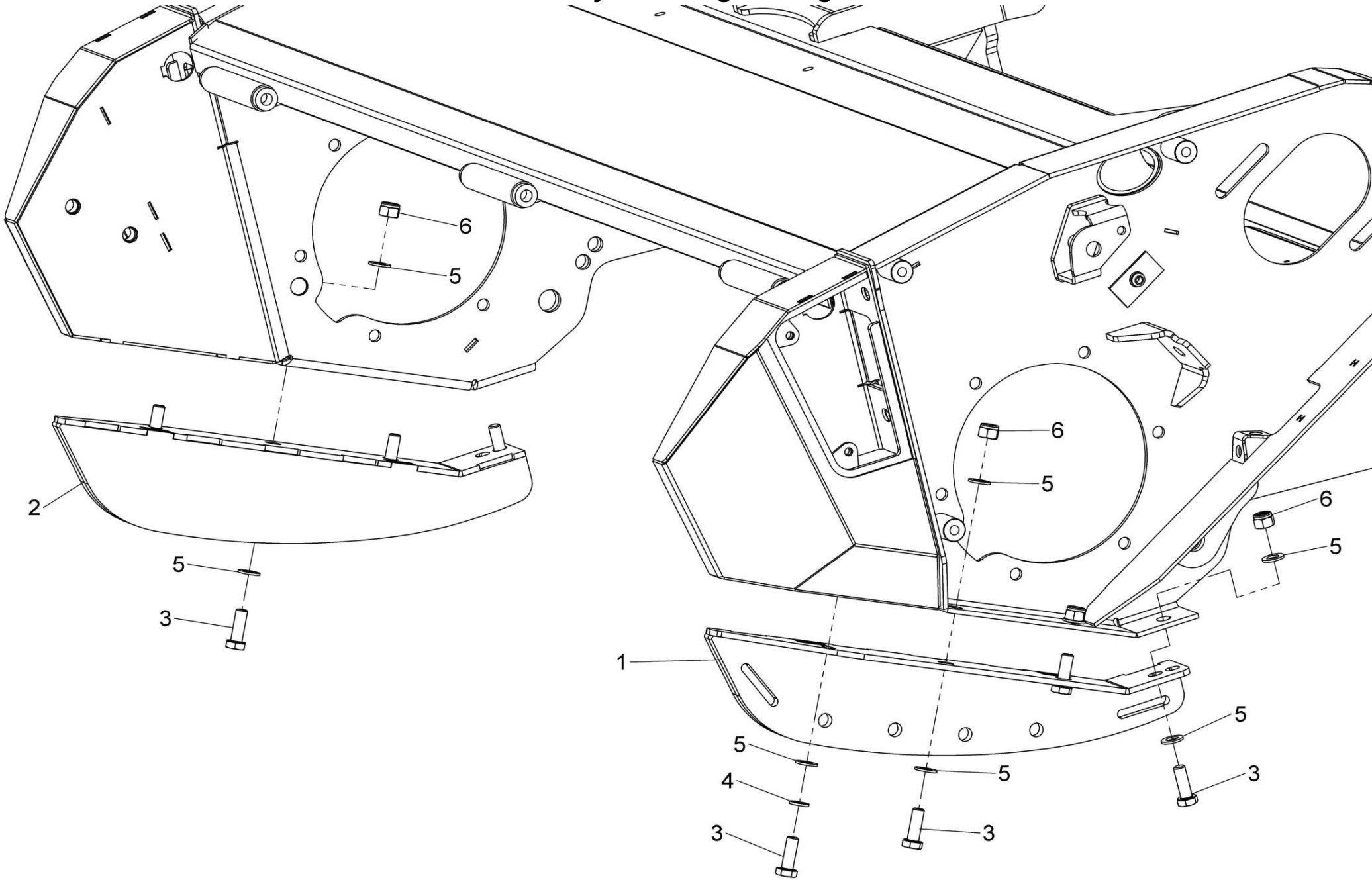
KIT-08305



Shelbourne Reynolds Engineering Limited

ASSY NUMBER: KIT-08309				ASSY DESCRIPTION: VERGE SKID KIT			
ITEM	PART NO	DESCRIPTION	QTY	ITEM	PART NO	DESCRIPTION	QTY
1	805119 01	LH VERGE SKID W/A	1				
2	805119 02	RH VERGE SKID W/A	1				
3	HSS-0241	BOLT	8				
4	WSH-0065	SPRING WASHER	2				
5	WSH-0018	WASHER	14				
6	NUT-0269	NYLOC NUT	6				

Shelbourne Reynolds Engineering Limited

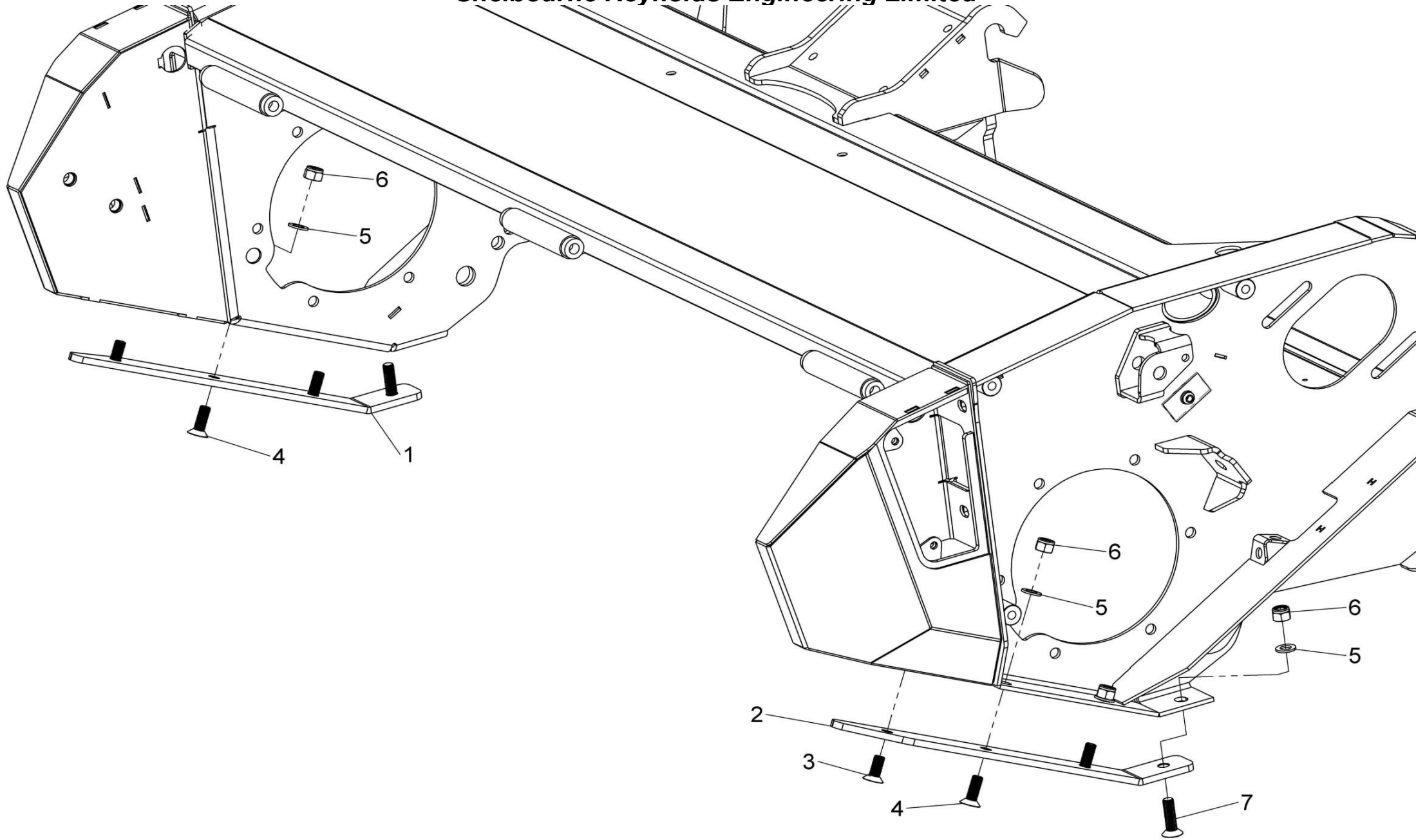


KIT-08309



Shelbourne Reynolds Engineering Limited

ASSY NUMBER: KIT-08310				ASSY DESCRIPTION: STD SKID KIT			
ITEM	PART NO	DESCRIPTION	QTY	ITEM	PART NO	DESCRIPTION	QTY
1	805114 01	RH SKID	1				
2	805114 02	LH SKID	1				
3	SCW-1950	COUNTERSUNK SCREW	2				
4	SCW-1955	COUNTERSUNK SCREW	4				
5	WSH-0018	WASHER	6				
6	NUT-0269	NYLOC NUT	6				
7	SCW-1960	COUNTERSUNK SCREW	2				

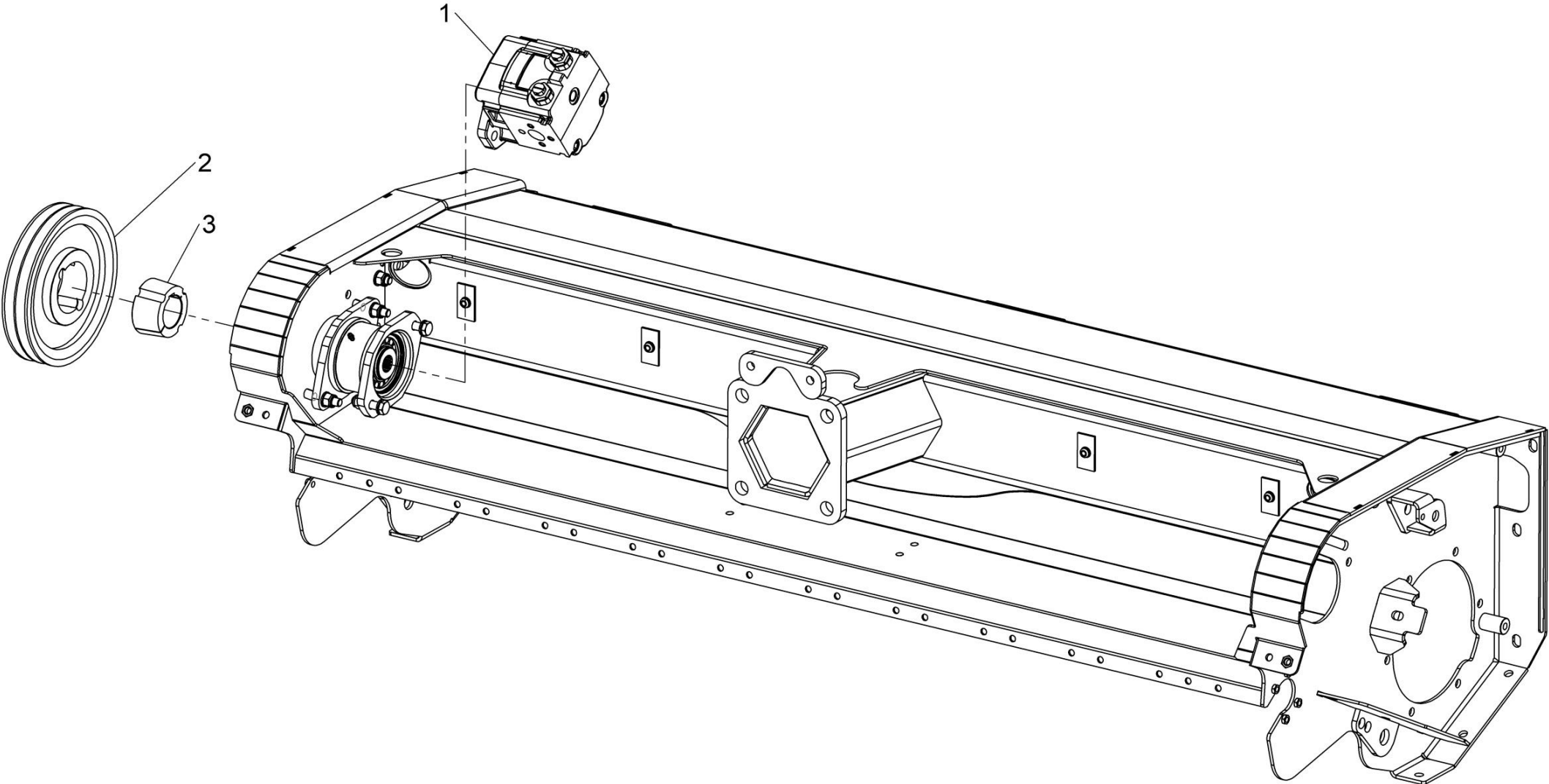


KIT-08310



Shelbourne Reynolds Engineering Limited

ASSY NUMBER: KIT-08311				ASSY DESCRIPTION: HEAD STANDARD POWER KIT			
ITEM	PART NO	DESCRIPTION	QTY	ITEM	PART NO	DESCRIPTION	QTY
1	MOTH03900	HYDRAULIC MOTOR	1				
1A	MOTS03901	DRIVE SHAFT	-				
1B	HMS-03900	MOTOR SEAL KIT	-				
2	PUL-0110	PULLEY	1				
3	BSHZ05063	BUSH	1				



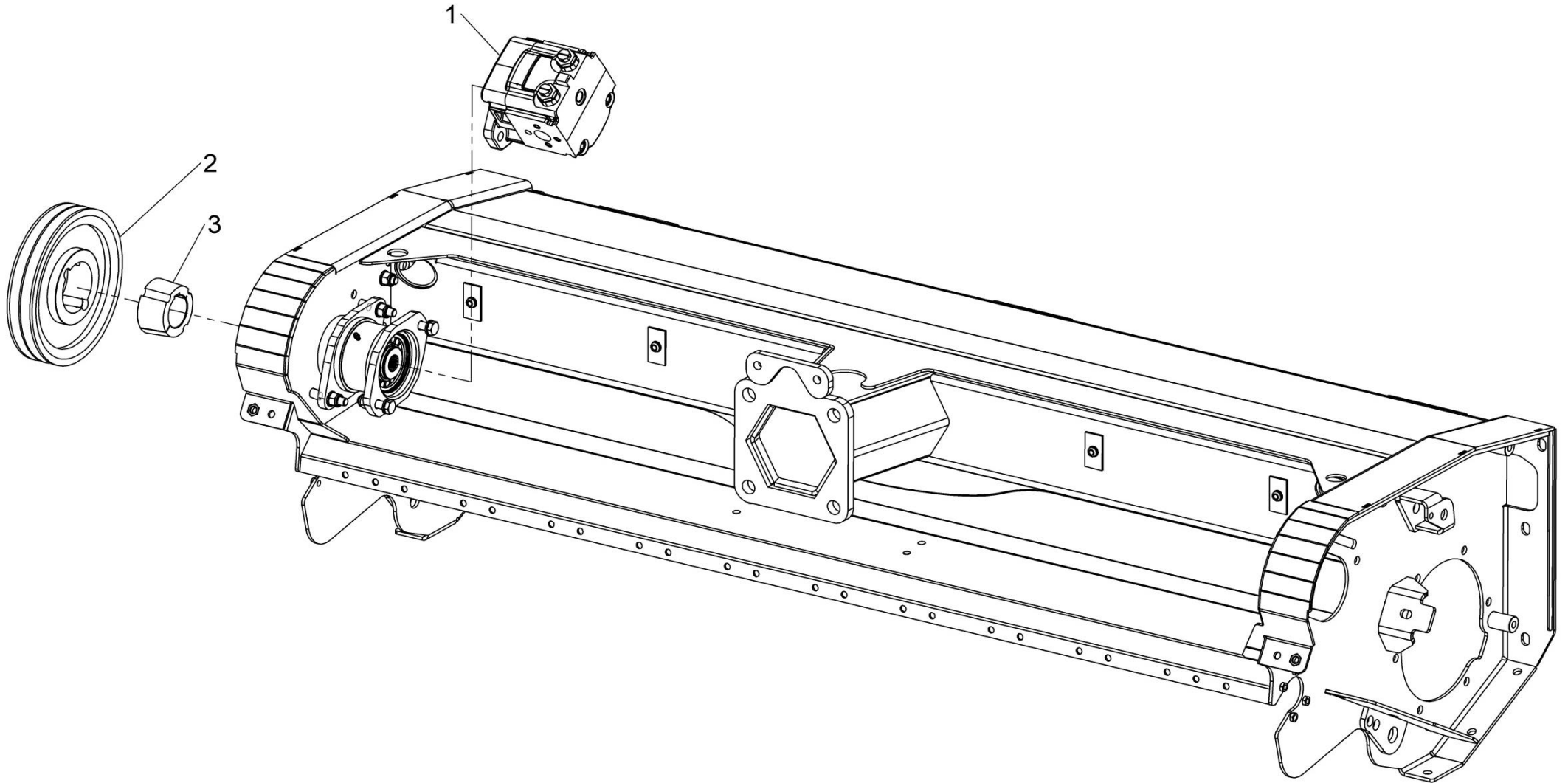
KIT-08311



Shelbourne Reynolds Engineering Limited

ASSY NUMBER: KIT-08312				ASSY DESCRIPTION: HEAD HIGH POWER KIT			
ITEM	PART NO	DESCRIPTION	QTY	ITEM	PART NO	DESCRIPTION	QTY
1	MOTH04300	HYDRAULIC MOTOR	1				
1A	MOTS04301	DRIVE SHAFT	-				
1B	HMS-04300	MOTOR SEAL KIT	-				
2	PUL-0105	PULLEY	1				
3	BSHZ05063	BUSH	1				

Shelbourne Reynolds Engineering Limited

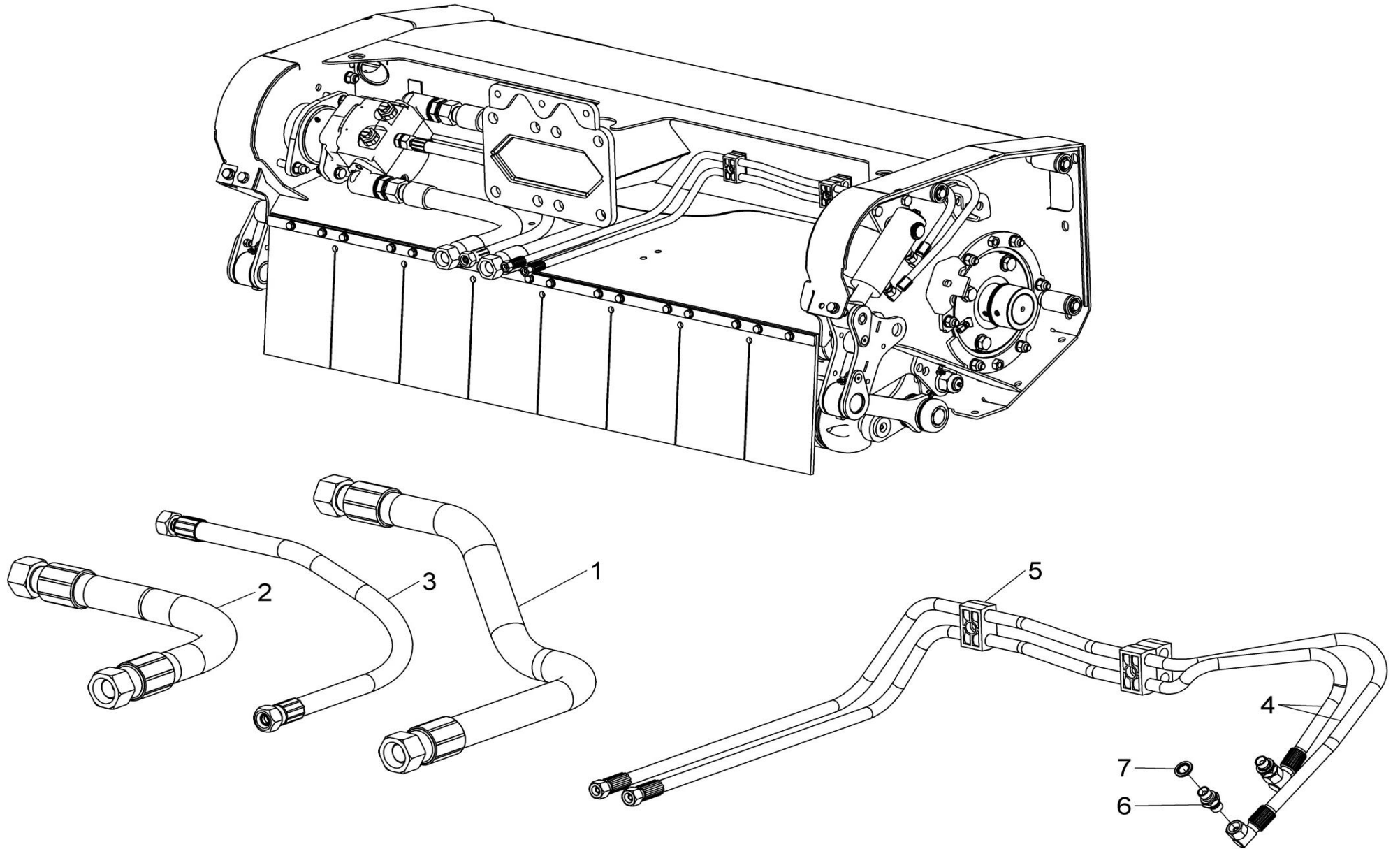


KIT-08312



Shelbourne Reynolds Engineering Limited

ASSY NUMBER: KIT-08313				ASSY DESCRIPTION: HC1600 HEAD HYDRAULICS			
ITEM	PART NO	DESCRIPTION	QTY	ITEM	PART NO	DESCRIPTION	QTY
1	HHAI10005	HOSE	1				
2	HHAI09005	HOSE	1				
3	HHAF28505	HOSE (VFRT)	1				
OR	HHAF21505	HOSE (TELE)	1				
4	HHCC35005	HOSE (VFRT)	2				
OR	HHCC25505	HOSE (TELE)	2				
5	HCPD01400	HYD.PIPE CLAMP	2				
6	HMA-0052	ADAPTOR	2				
7	WSH-1005	BONDED SEAL	2				
					KIT-08313A HYD	HC1600 HD HYD FOR HD865/875 VFRT	
					KIT-08313B HYD	HC1600 HD HYD FOR HD860/70/80 TELE	



NOTE:
IMAGES SHOW LH DRIVE HEAD SET UP HOSES ARE
OPPOSITE WAY FOR RH DRIVE HEAD SET UP

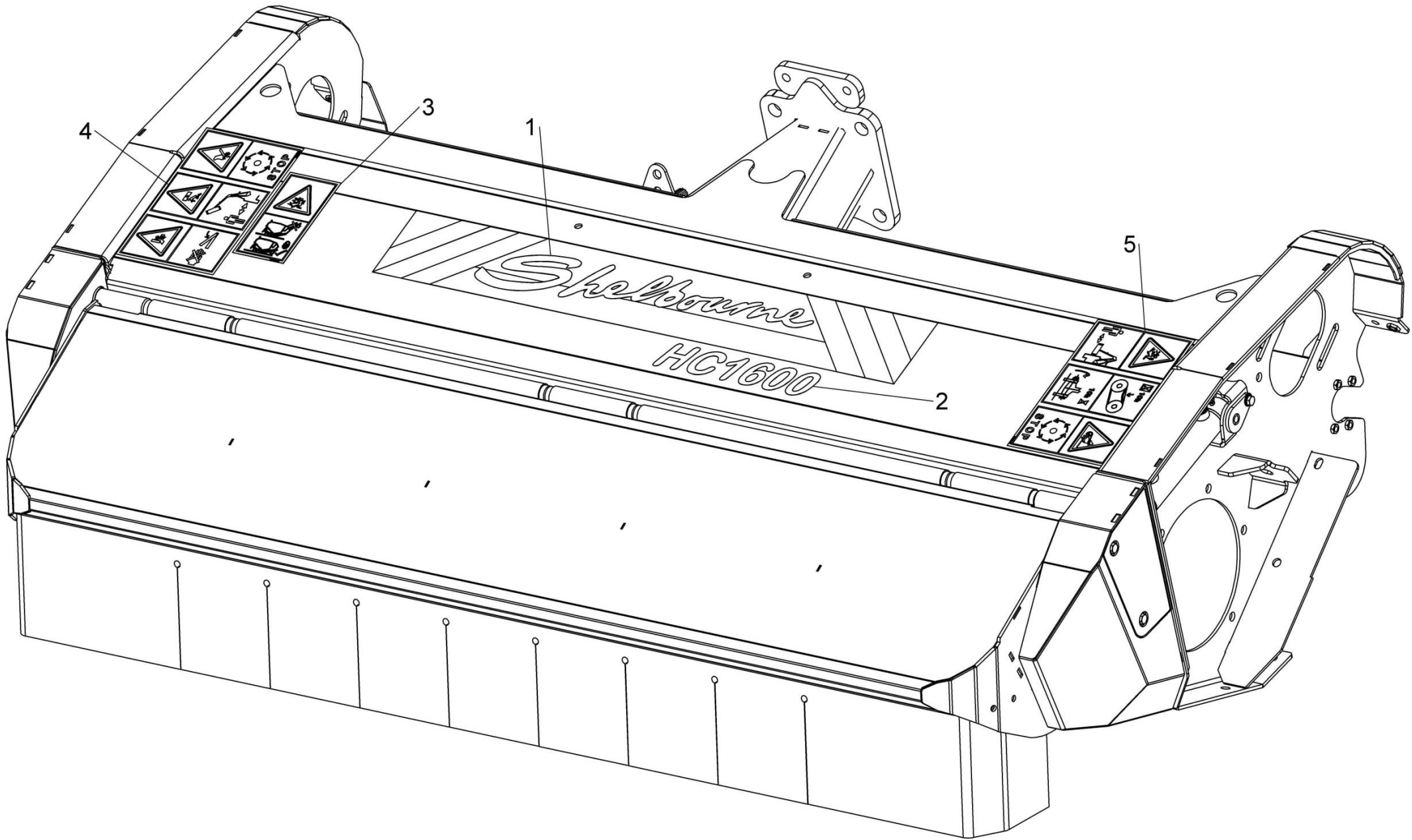
KIT-08313



Shelbourne Reynolds Engineering Limited

ASSY NUMBER: KIT-08314				ASSY DESCRIPTION: HC1600 HEAD TRANSFERS			
ITEM	PART NO	DESCRIPTION	QTY	ITEM	PART NO	DESCRIPTION	QTY
1	805391 01	SHELBOURNE TRANSFER HD	1				
2	805193 01	HEAD ID TRANSFER HC1600	1				
3	805472 01	TRANSFER (FLY OBJECTS)	1				
4	805600 01	MULTI TRANSFER	1				
5	805601 01	MULTI TRANSFER	1				

Shelbourne Reynolds Engineering Limited



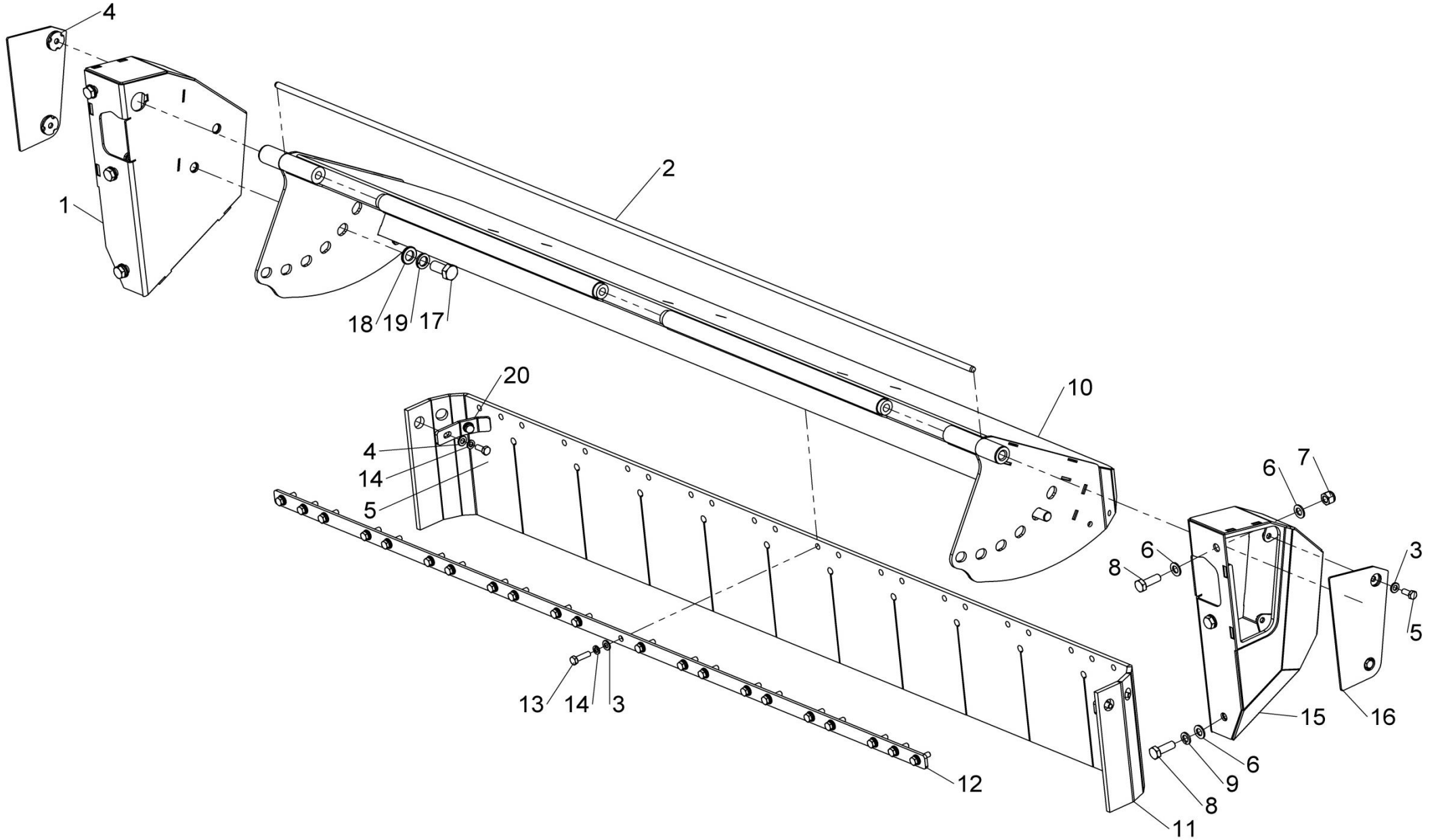
KIT-08314



Shelbourne Reynolds Engineering Limited

ASSY NUMBER: KIT-08325				ASSY DESCRIPTION: 1.6m NOSE KIT			
ITEM	PART NO	DESCRIPTION	QTY	ITEM	PART NO	DESCRIPTION	QTY
1	805292 01	SIDE PLATE W/A	1				
2	805075 01	PIVOT BAR	1				
3	WSH-0012	PLAIN WASHER	35				
4	805300 01	PANEL W/A	1				
5	HSS-0140	SETSCREW	8				
6	WSH-0018	PLAIN WASHER	10				
7	NUT-0269	NYLOC NUT	4				
8	HSS-0241	SETSCREW	6				
9	WSH-0065	SPRING WASHER	2				
10	805306 01	HYD NOSE W/A	1				
11	805446 01	CURTAIN 1.6m	1				
12	805316 01	CLAMP STRIP	1				
13	HSS-0150	SETSCREW	26				
14	WSH-0058	SPRING WASHER	26				
15	805292 02	SIDE PLATE W/A	1				
16	805300 02	PANEL W/A	1				
17	HSS-0315	SETSCREW	2				
18	WSH-0024	PLAIN WASHER	2				
19	WSH-0070	SPRING WASHER	2				
20	805451 01	SIDE CLAMP	2				

Shelbourne Reynolds Engineering Limited



KIT-08325

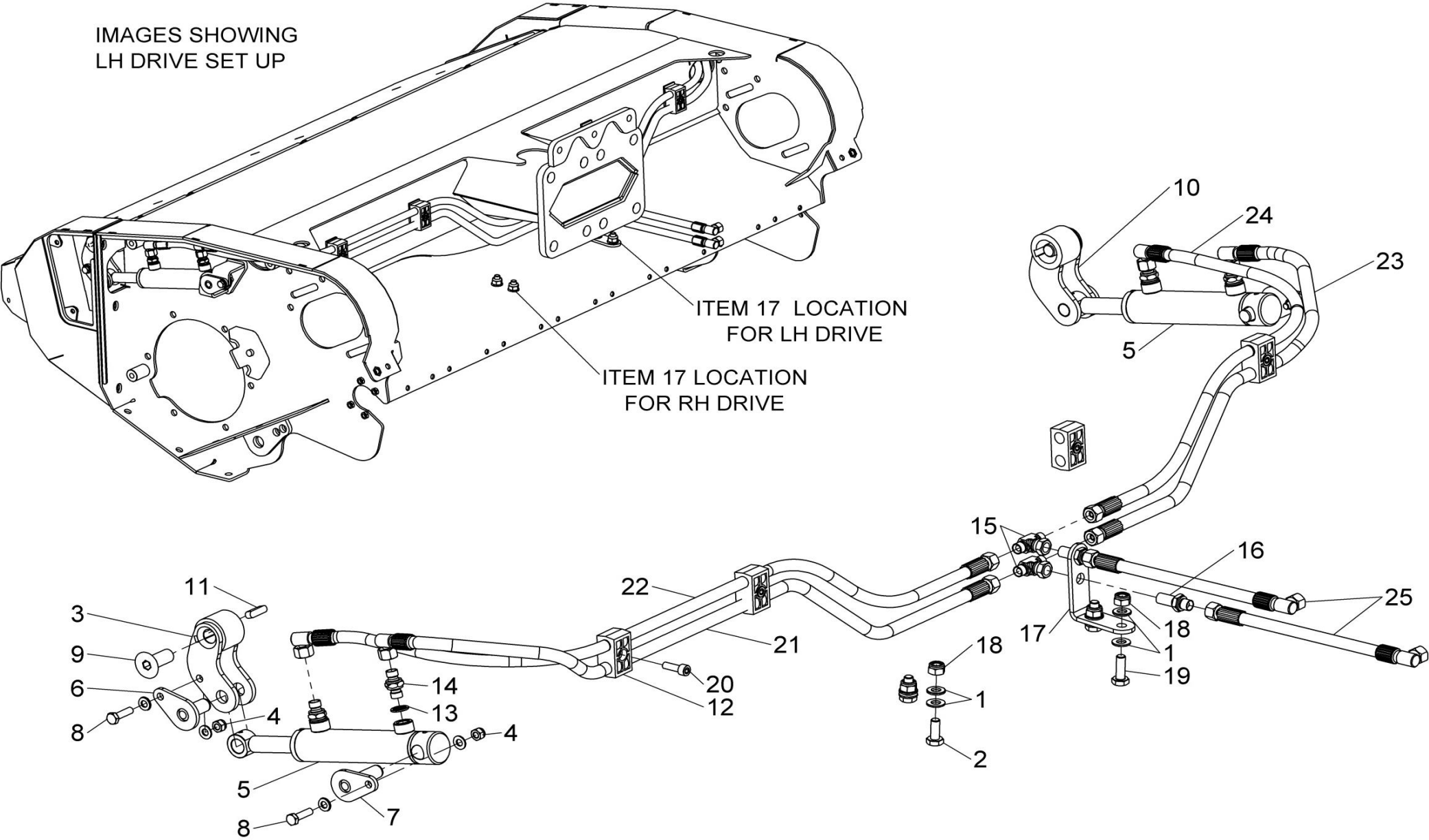


Shelbourne Reynolds Engineering Limited

ASSY NUMBER: KIT-08326				ASSY DESCRIPTION: 1.6M HYDRAULICS FOR ADJ NOSE KIT			
ITEM	PART NO	DESCRIPTION	QTY	ITEM	PART NO	DESCRIPTION	QTY
1	WSH-0015	PLAIN WASHER	8				
2	HSS-0191	BOLT)	2				
3	805073 01	LINK ARM W/A	1				
4	NUT-0263	NYLOC NUT	13				
5	RAM-0030	HYD ROLLER NOSE CYLINDER	2				
6	805080 01	PIVOT PIN W/A	2				
7	805153 01	RAM PIVOT PLATE W/A	2				
8	HSS-0150	BOLT	26				
9	SCEA16260	COUNTERSUNK SCREW	2				
10	805073 02	LINK ARM W/A	1				
11	K0807030	KEY	2				
12	HCPD01400	HYDRAULIC PIPE CLAMP	4				
13	WSH-1005	DOWTY WASHER	6				
14	HMA-0052	ADAPTOR	4				
15	FITA10130	TEE FITTING	2				
16	HBK-0010	BULKHEAD	2				
17	805178 01	BULKHEAD BRACKET	1				
18	NUT-0265	NYLOC NUT	4				
19	HSS-0194	BOLT	2				
20	SCW-0136	CAP HEAD SCREW	2				
21	HHCC11505	HOSE	1				
22	HHCC12805	HOSE	1				
23	HHCC08505	HOSE	1				
24	HHCC10005	HOSE	1				
25	HHCC25005	HOSE	2				

Shelbourne Reynolds Engineering Limited

IMAGES SHOWING
LH DRIVE SET UP



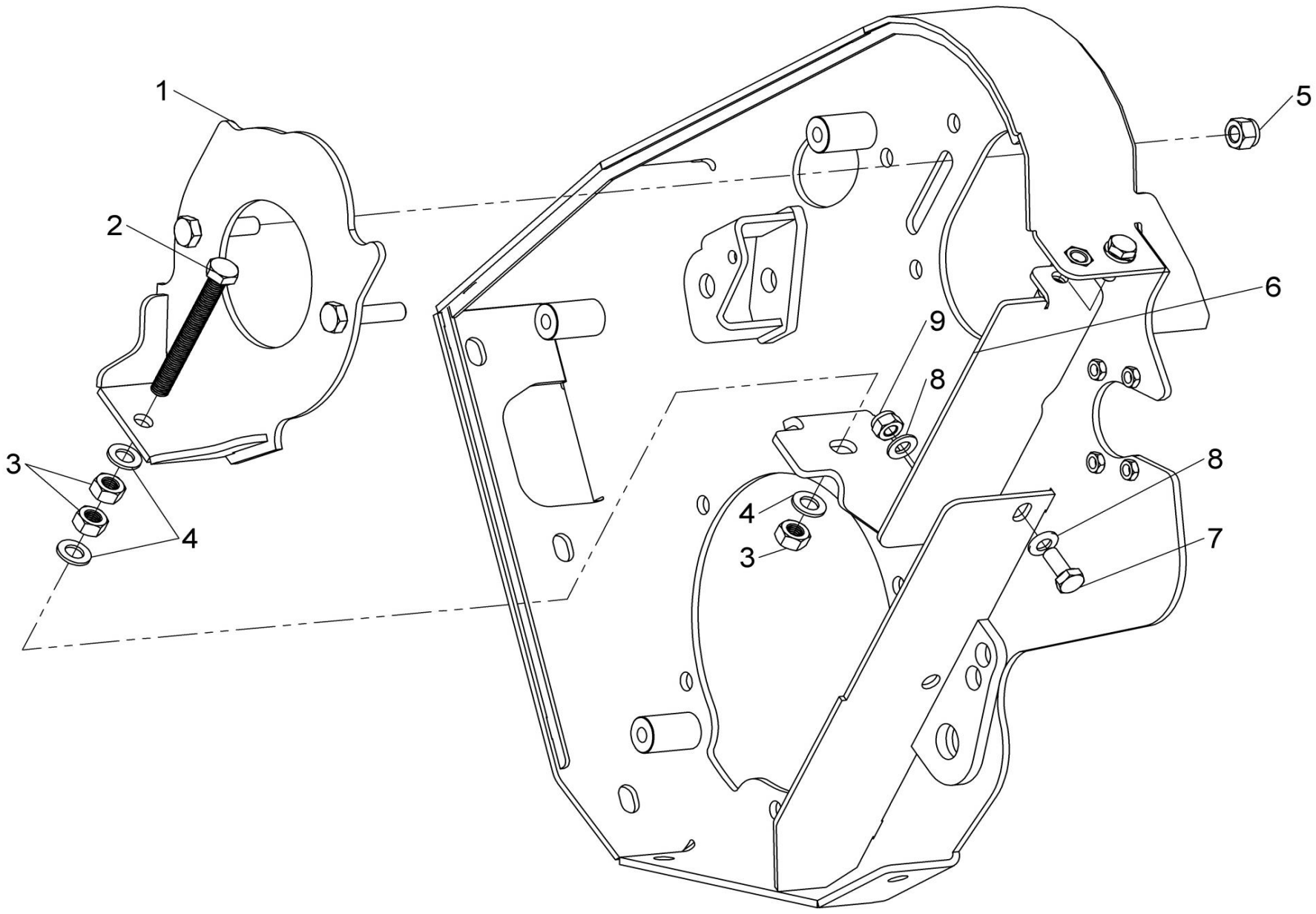
NOTE: ITEMS 21-24 ARE SHOWN IN LH DRIVE CONFIGURATION
HOSES POSITON REVERSED FOR RH DRIVE CONFIGURATION

KIT-08326



Shelbourne Reynolds Engineering Limited

ASSY NUMBER: KIT-08328				ASSY DESCRIPTION: HANDED PARTS FOR HC HEAD			
ITEM	PART NO	DESCRIPTION	QTY	ITEM	PART NO	DESCRIPTION	QTY
1	805032 01	LH MOTOR MOUNT W/A	1				
OR	805032 02	RH MOTOR MOUNT W/A	1				
2	HSSA12590	SETSCREW	1				
3	NUT-0170	NUT	3				
4	WSH-0018	WASHER	3				
5	NUT-0269	NYLOC NUT	2				
6	805183 01	LH FILL IN GUARD	1				
OR	805183 02	RH FILL IN GUARD	1				
7	HSS-0191	SETSCREW	2				
8	WSH-0015	WASHER	4				
9	NUT-0265	NYLOC NUT	2				
					KIT-08328A	LH PARTS FOR HC HEAD	
					KIT-08328B	RH PARTS FOR HC HEAD	

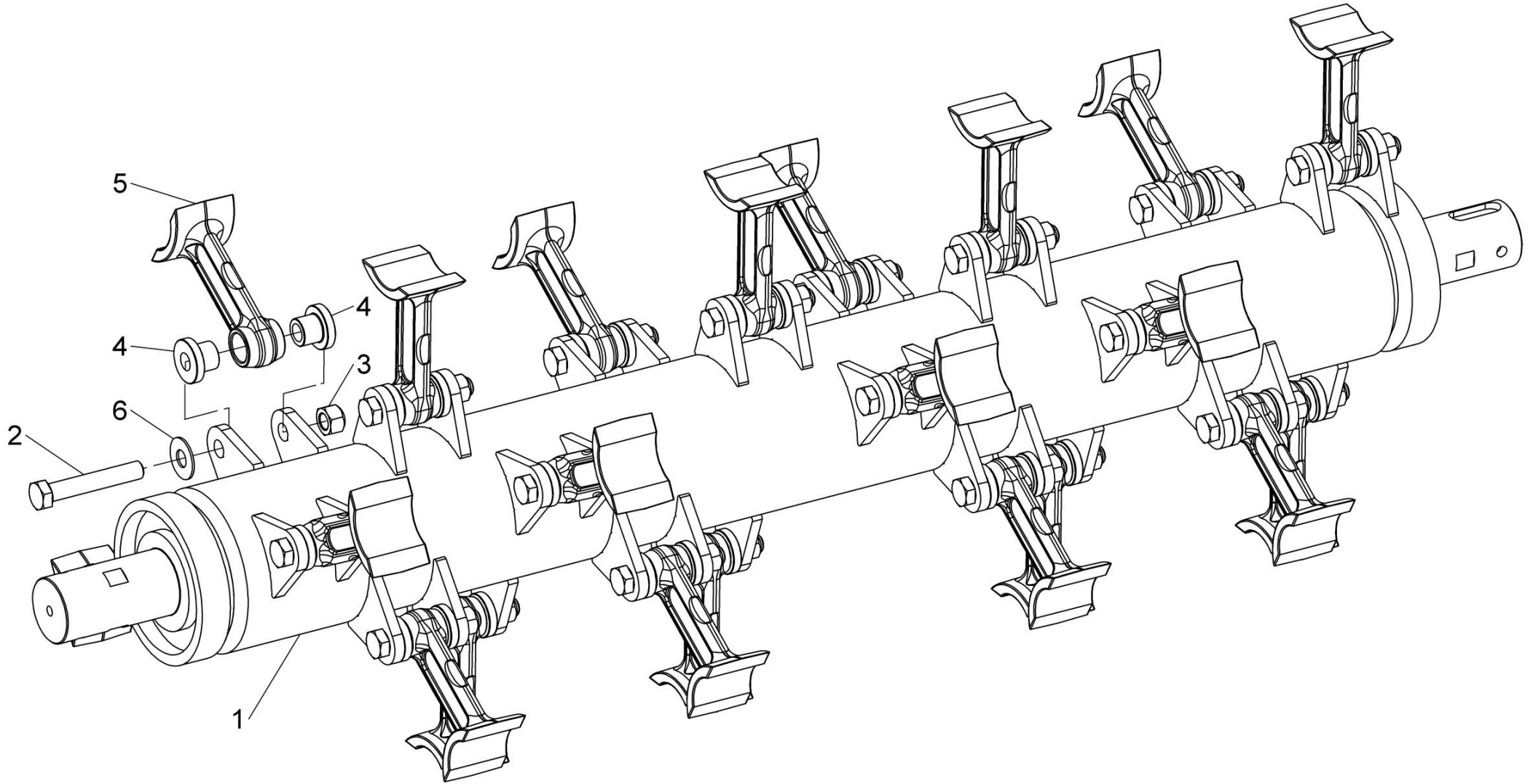


KIT-08328



Shelbourne Reynolds Engineering Limited

ASSY NUMBER: KIT-08329				ASSY DESCRIPTION: FLAIL ASSY (1.2M) ALL FLAIL TYPES			
ITEM	PART NO	DESCRIPTION	QTY	ITEM	PART NO	DESCRIPTION	QTY
1	805337 01	1.2M FLAIL W/A	1				
2	BLTD16554	BOLT	24				
3	NUTF15162	STOVER NUT	24			FOR COMPLETE FLAIL ASSEMBLY ORDER PART NUMBERS:	
4	805046 01	SPACER	48				
5	FLL-05005S	T FLAIL (DROP FORGED) (KIT-08329D)	24			KIT-08329A - T FLAILS (CAST)	
OR	FLL-05000	T FLAIL (CAST) (KIT-08329A)	24				
OR	FLL-20000	COMP FLAIL (CAST) (KIT-08329C)	24			KIT-08329C - COMPETITION (CAST) FLAILS	
OR	FLL-20005S	COMP FLAIL (DROP FORGED)	24				
6	800274 01	BALANCE WEIGHT (20G)	AR				
OR	800274 02	BALANCE WEIGHT (30G)	AR			KIT-08329D - T FLAIL (DROP FORGED)	
OR	800274 03	BALANCE WEIGHT (50G)	AR			KIT-08329E - COMPETITION FLAIL (DROP FORGED)	
						*** <u>IMPORTANT</u> ***	
						ENSURE BALANCE WEIGHTS ARE NOT MOVED WHEN REPLACING FLAILS. EXACT POSITIONING IS CRITICAL TO SMOOTH RUNNING	



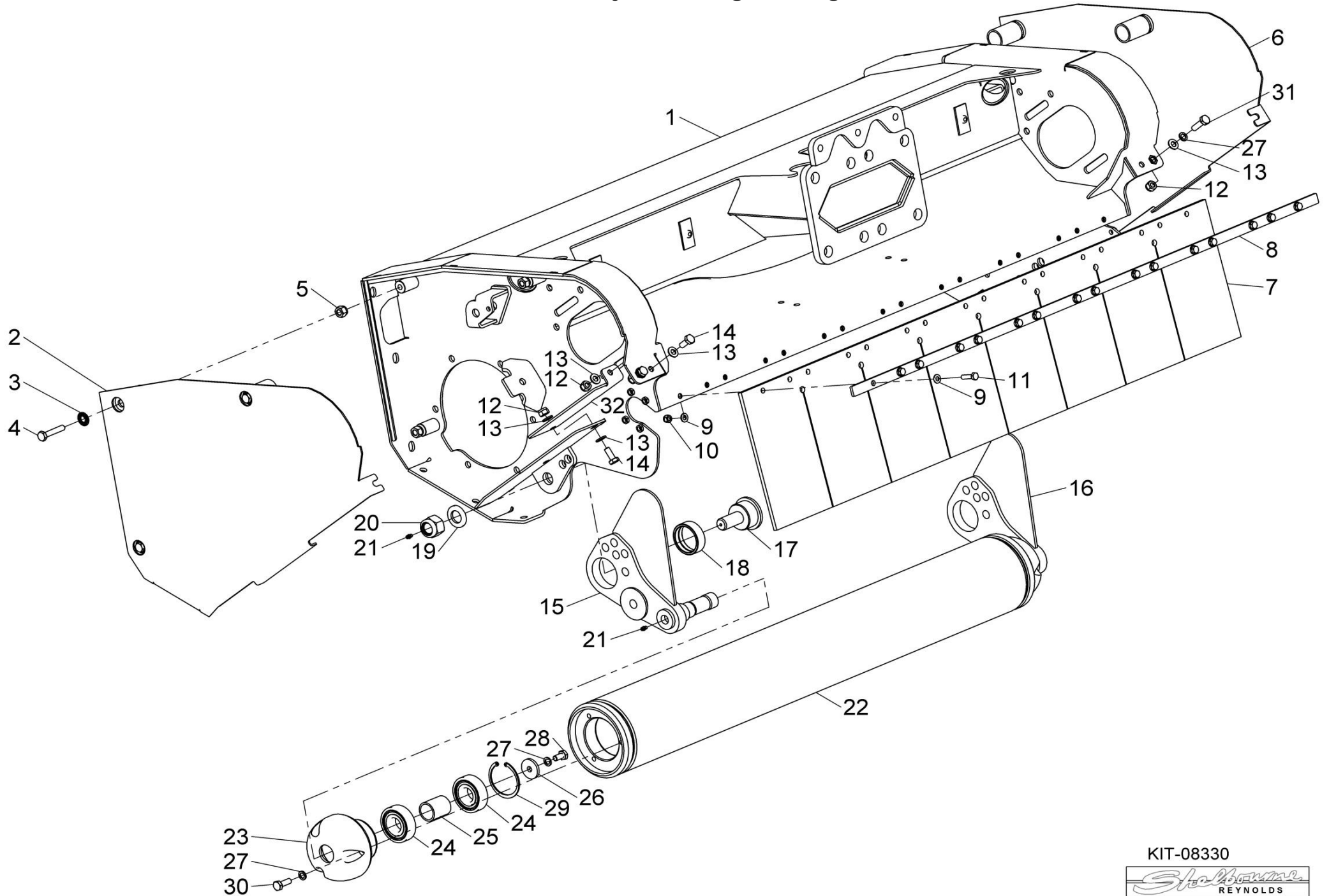
KIT-08329



Shelbourne Reynolds Engineering Limited

ASSY NUMBER: KIT-08330				ASSY DESCRIPTION: 1.2M HEAD SHELL SUB ASSY			
ITEM	PART NO	DESCRIPTION	QTY	ITEM	PART NO	DESCRIPTION	QTY
1	805339 01	1.2M HEAD SHELL W/A	1				
2	805132 01	LH SIDE GUARD W/A	1				
3	WSHA30121	LOCKWASHER	6				
4	BLTA10350	BOLT	6				
5	NUT-0269	NYLOC NUT	6				
6	805132 02	RH SIDE GUARD W/A	1				
7	805345 01	CURTAIN 1.2M	1				
8	805346 01	CLAMP STRIP	1				
9	WSH-0012	WASHER	32				
10	NUT-0263	NYLOC NUT	16				
11	HSS-0150	BOLT	16				
12	NUT-0265	NYLOC NUT	4				
13	WSH-0015	WASHER	6				
14	HSS-0191	BOLT	2				
15	805034 01	LH ADJUSTABLE BRACKET W/A	1				
16	805034 02	RH ADJUSTABLE BRACKET W/A	1				
17	804979 01	PIVOT STUB	2				
18	802667 01	BUSH	2				
19	WSH-0036	WASHER	2				
20	NUT-0275	NYLOC NUT	2				
21	NIP-00600	GREASE NIPPLE	4				
22	805347 01	ROLLER 1.2M	1				
23	804974 01	END CAP	2				
24	BRG-13005	DEEP GROOVE BALL BEARING	4				
25	801950 01	SPACER TUBE	2				
26	190548 01	RETAINING WASHER	2				
27	WSH-0061	WASHER	2				
28	HSS-0188	BOLT	2				
29	CIR-0720	INTERNAL CIRCLIP	2				
30	HSS-0194	BOLT	2				
31	HSS-0198	BOLT	2				
32	805183 01	LH FILL IN GUARD	1				

Shelbourne Reynolds Engineering Limited



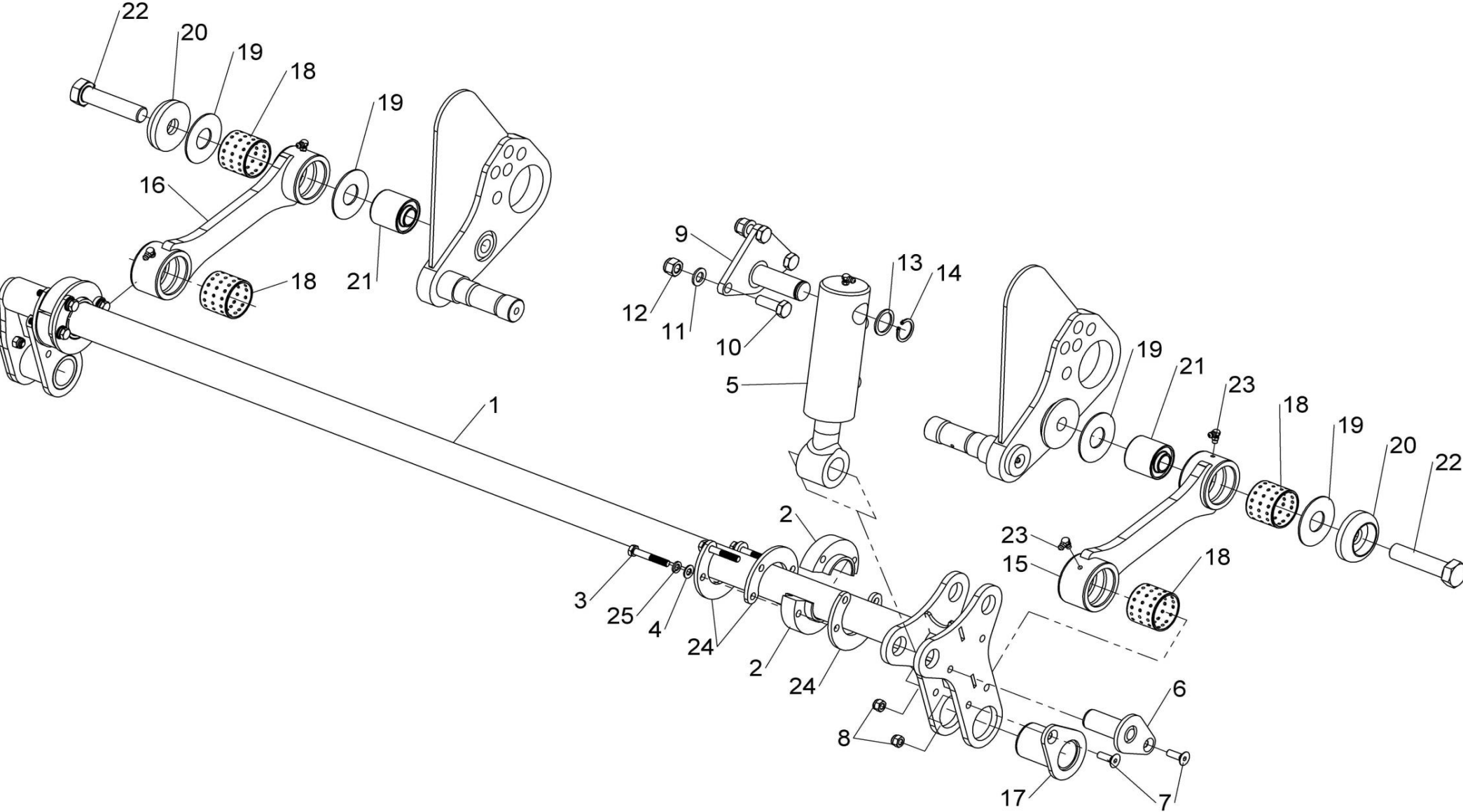
KIT-08330



Shelbourne Reynolds Engineering Limited

ASSY NUMBER: KIT-08333				ASSY DESCRIPTION: ROLLER LINKAGE KIT 1.2M HEAD			
ITEM	PART NO	DESCRIPTION	QTY	ITEM	PART NO	DESCRIPTION	QTY
1	805349 01	TORSION BAR 1.2M	1				
2	805214 01	BUSH (2 HALVES)	2				
3	BLTA08320	SETSCREW	8				
4	WSH-0012	WASHER	8				
5	804962 01	ADJ ROLLER CYLINDER	1				
6	805111 01	PIVOT PIN W/A	1				
7	SCW-1740	CSK SCREW	3				
8	NUT-0263	NYLOC NUT	3				
9	805141 01	CYLINDER BRACKET W/A	1				
10	HSS-0241	SETSCREW	3				
11	WSH-0018	WASHER	3				
12	NUT-0269	NUT	3				
13	190548 24	WASHER	1				
14	CIR-1125	CIRCLIP	1				
15	804998 01	RH LINK W/A	1				
16	804998 02	LH LINK W/A	1				
17	805037 01	PIVOT PIN W/A	2				
18	BSHO04562	BUSH	4				
19	198800 69	WASHER	4				
20	804980 01	DOME WASHER	2				
21	BSHS47640	BUSH	2				
22	BLTA20520	BOLT	2				
23	NIP-00605	GREASE NIPPLE	4				
24	805321 01	CLAMP PLATE	6				
25	WSH-0058	WASHER	8				

Shelbourne Reynolds Engineering Limited



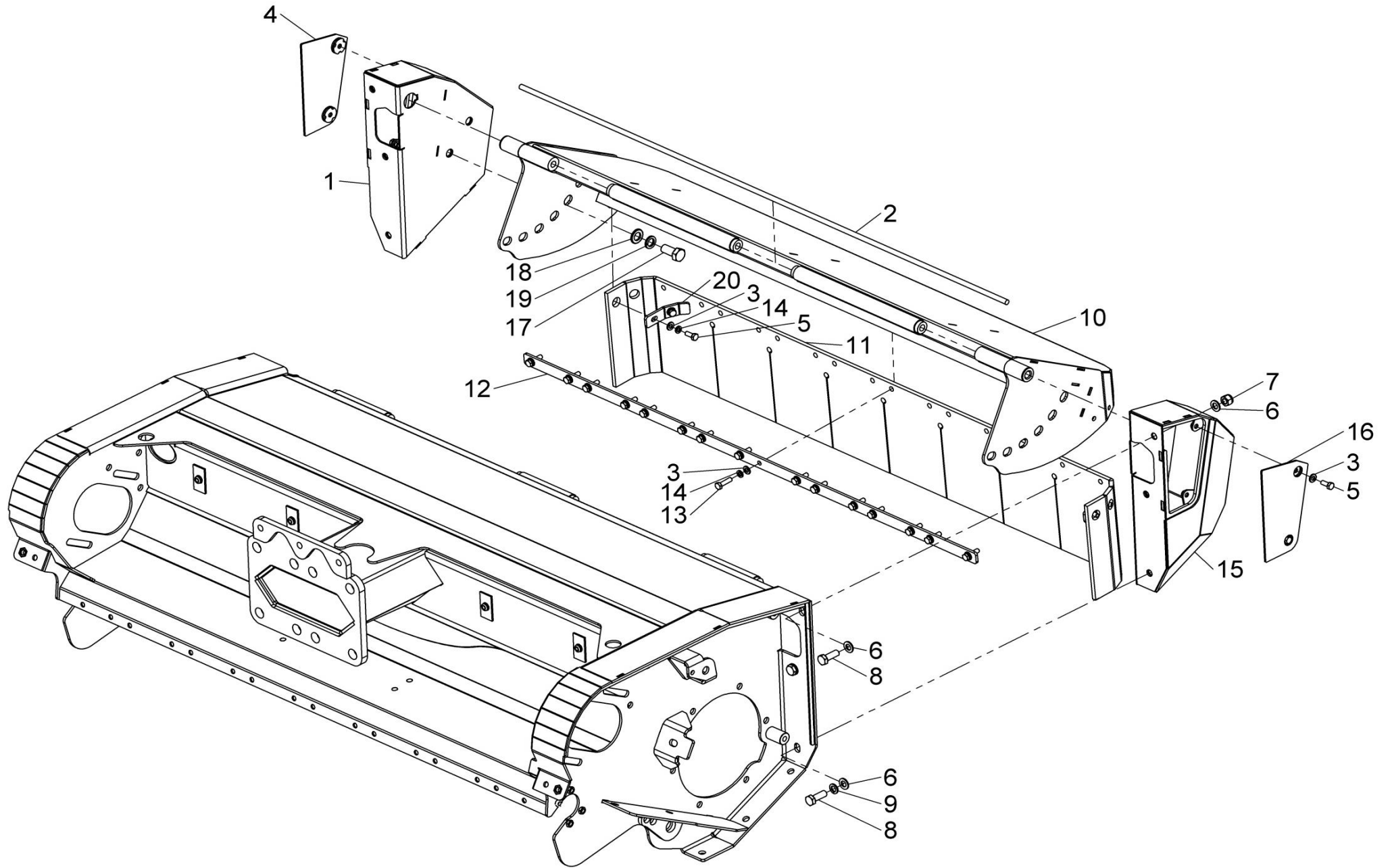
KIT-08333



Shelbourne Reynolds Engineering Limited

ASSY NUMBER: KIT-08334				ASSY DESCRIPTION: 1.2M NOSE KIT			
ITEM	PART NO	DESCRIPTION	QTY	ITEM	PART NO	DESCRIPTION	QTY
1	805292 01	SIDE PLATE W/A	1				
2	805357 01	PIVOT BAR	1				
3	WSH-0012	PLAIN WASHER	32				
4	805300 01	PANEL W/A	1				
5	HSS-0140	SETSCREW	8				
6	WSH-0018	WASHER	10				
7	NUT-0269	NYLOC NUT	4				
8	HSS-0241	SETSCREW	6				
9	WSH-0065	SPRING WASHER	2				
10	805351 01	HYD NOSE W/A	1				
11	805358 01	CURTAIN 1.2M	1				
12	805359 01	CLAMP STRIP	1				
13	HSS-0150	SETSCREW	20				
14	WSH-0058	SPRING WASHER	21				
15	805292 02	SIDE PLATE W/A	1				
16	805300 02	PANEL W/A	1				
17	HSS-0315	SETSCREW	2				
18	WSH-0024	WASHER	2				
19	WSH-0070	SPRING WASHER	2				
20	805451 01	SIDE CLAMP	2				

Shelbourne Reynolds Engineering Limited

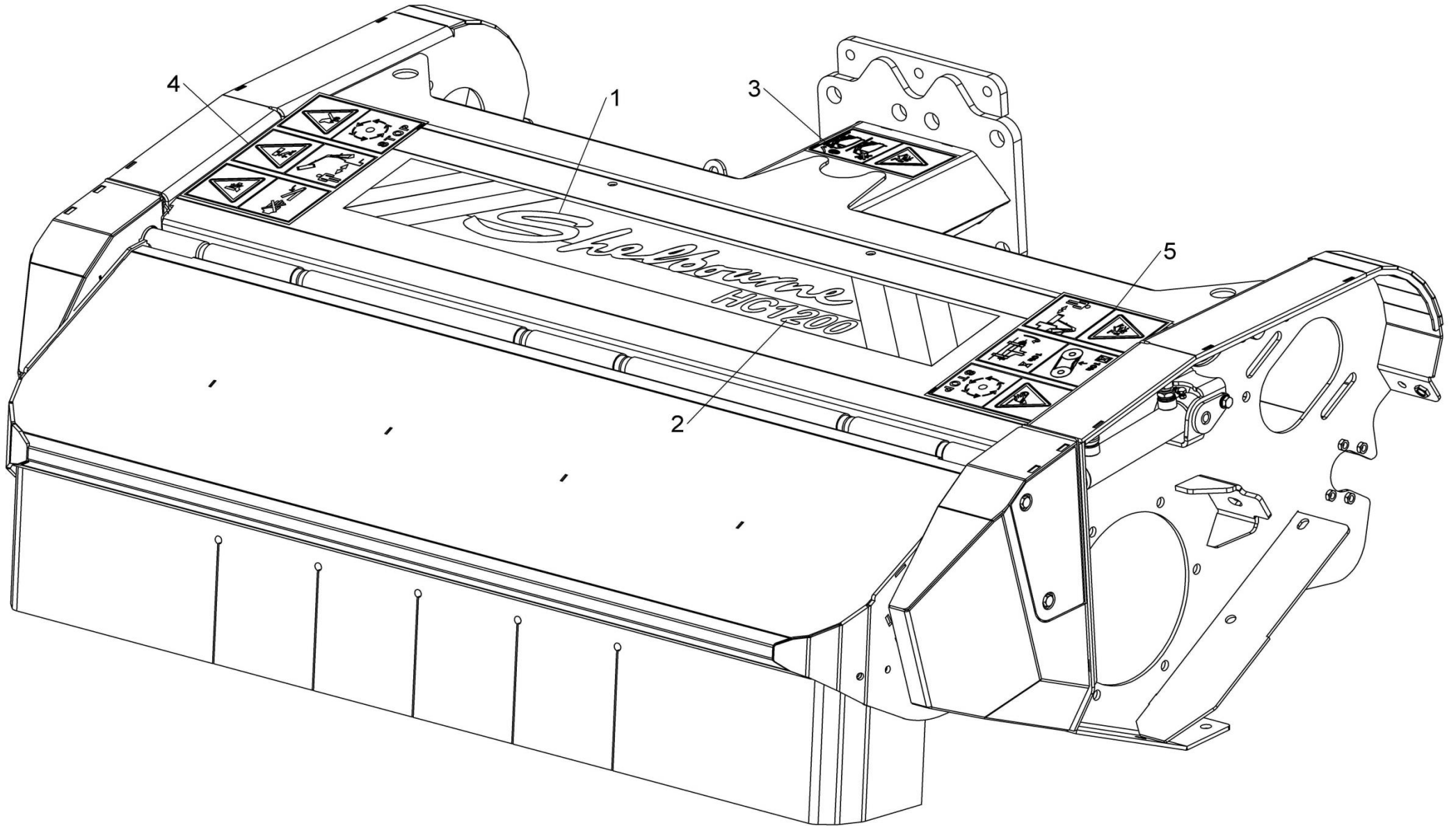


KIT-08334



Shelbourne Reynolds Engineering Limited

ASSY NUMBER: KIT-08335				ASSY DESCRIPTION: HC1200 HEAD TRANSFERS			
ITEM	PART NO	DESCRIPTION	QTY	ITEM	PART NO	DESCRIPTION	QTY
1	805391 01	SHELBOURNE TRANSFER	1				
2	805392 01	TRANSFER (HC1200)	1				
3	805472 01	TRANSFER (FLY OBJECTS)	1				
4	805600 01	MULTI TRANSFER	1				
5	805601 01	MULTI TRANSFER	1				



KIT-08335

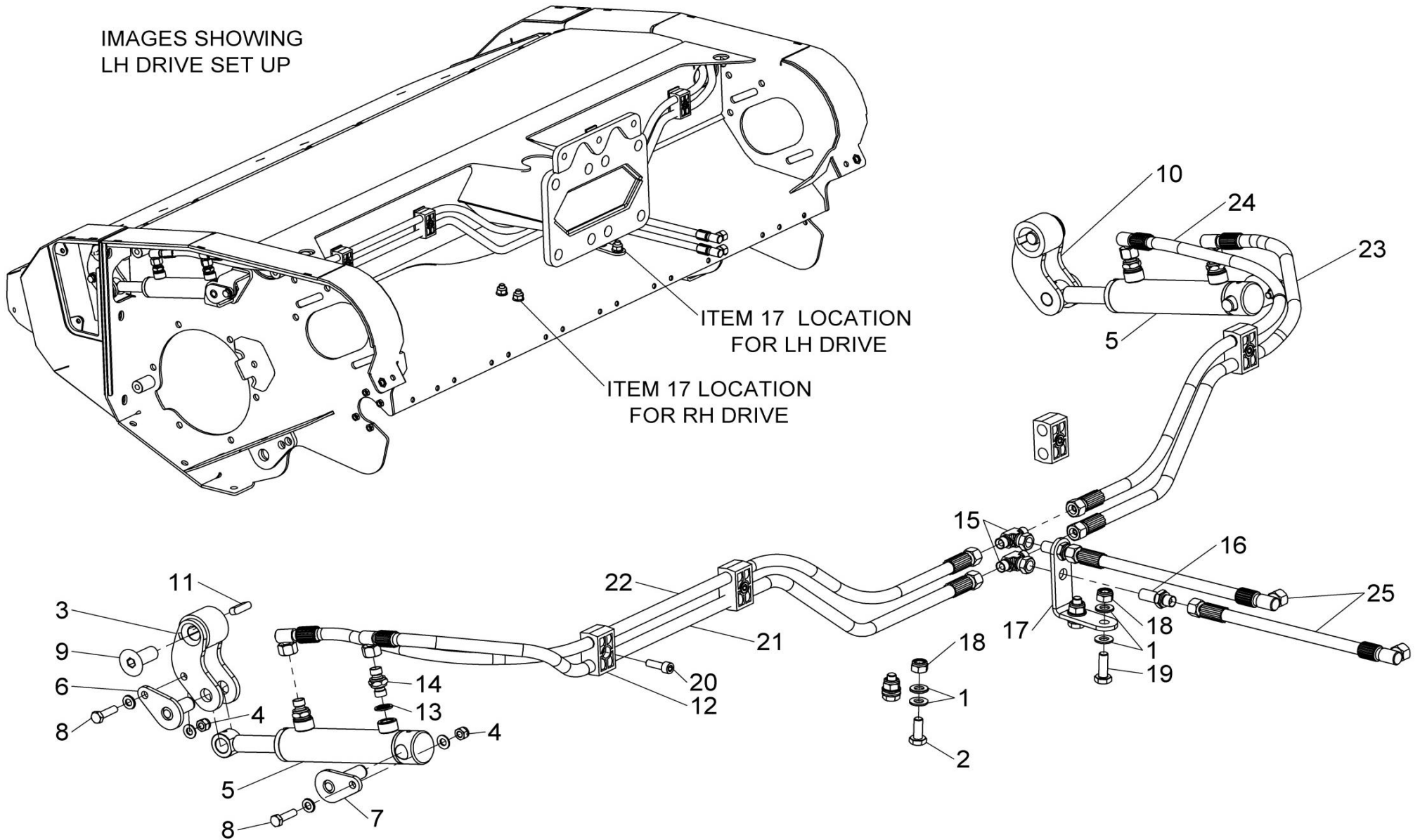


Shelbourne Reynolds Engineering Limited

ASSY NUMBER: KIT-08336				ASSY DESCRIPTION: 1.2M HYDRAULICS FOR ADJ NOSE KIT			
ITEM	PART NO	DESCRIPTION	QTY	ITEM	PART NO	DESCRIPTION	QTY
1	WSH-0015	PLAIN WASHER	8				
2	HSS-0191	BOLT	2				
3	805073 01	LINK ARM W/A	1				
4	NUT-0263	NYLOC NUT	13				
5	RAM-0030	HYD ROLLER NOSE CYLINDER	2				
6	805080 01	PIVOT PIN W/A	2				
7	805153 01	RAM PIVOT PLATE W/A	2				
8	HSS-0150	BOLT	26				
9	SCEA16260	COUNTERSUNK SCREW	2				
10	805073 02	LINK ARM W/A	1				
11	K0807030	KEY	2				
12	HCPD01400	HYDRAULIC PIPE CLAMP	4				
13	WSH-1005	DOWTY WASHER	6				
14	HMA-0052	ADAPTOR	4				
15	FITA10130	TEE FITTING	2				
16	HBK-0010	BULKHEAD	2				
17	805178 01	BULKHEAD BRACKET	1				
18	NUT-0265	NYLOC NUT	4				
19	HSS-0194	BOLT	2				
20	SCW-0136	CAP HEAD SCREW	2				
21	HHCC10505	HOSE	1				
22	HHCC09505	HOSE	1				
23	HHCC07705	HOSE	1				
24	HHCC06705	HOSE	1				
25	HHCC25005	HOSE	2				

Shelbourne Reynolds Engineering Limited

IMAGES SHOWING
LH DRIVE SET UP



NOTE: ITEMS 21-24 ARE SHOWN IN LH DRIVE CONFIGURATION
HOSES POSITION REVERSED FOR RH DRIVE CONFIGURATION

KIT-08336

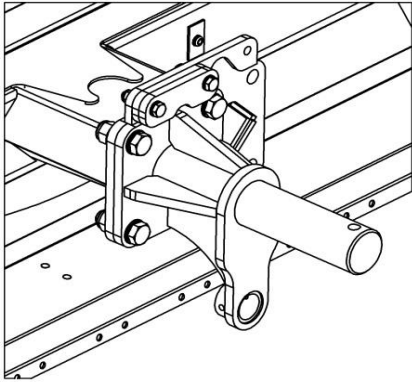


Shelbourne Reynolds Engineering Limited

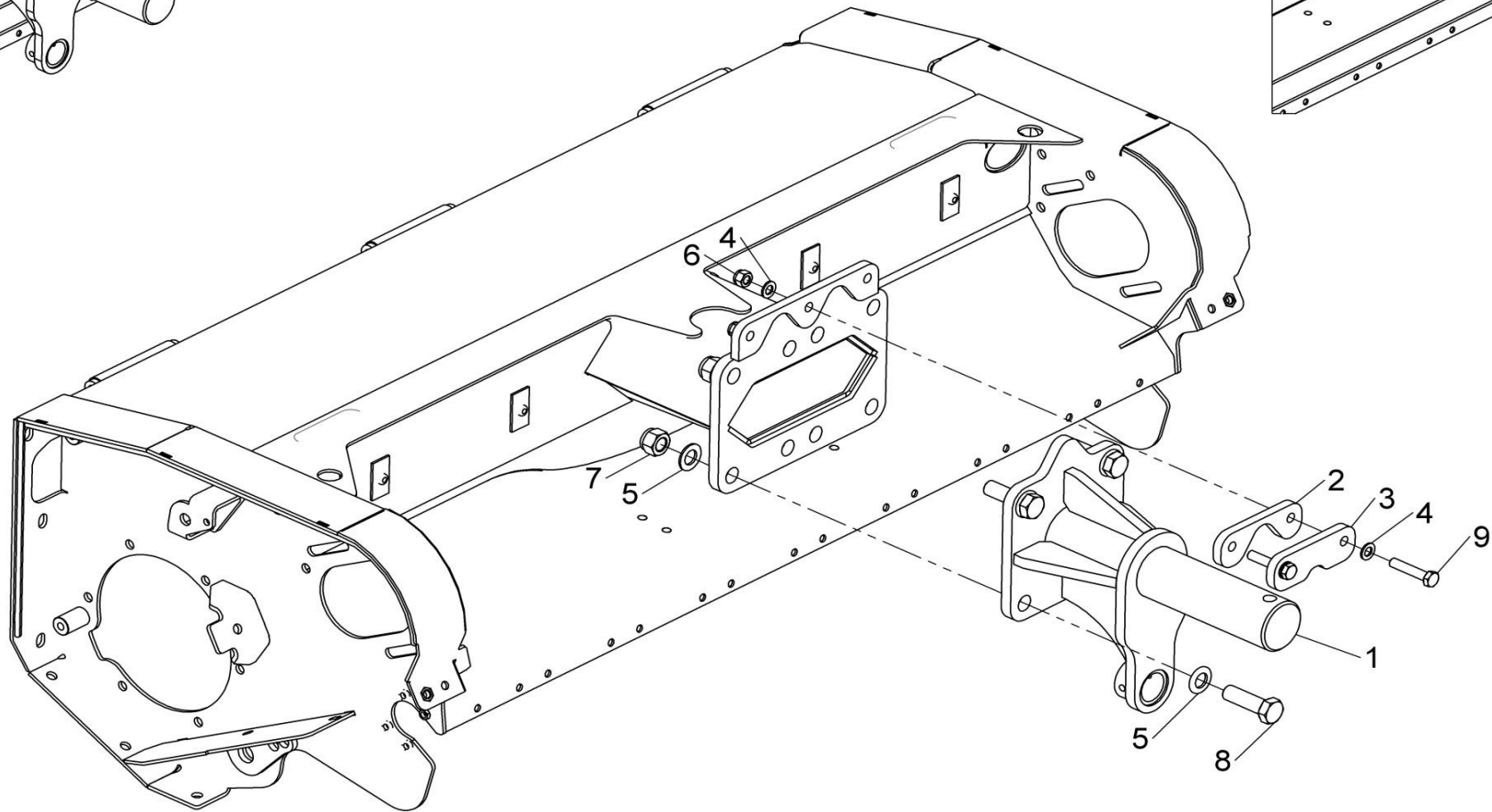
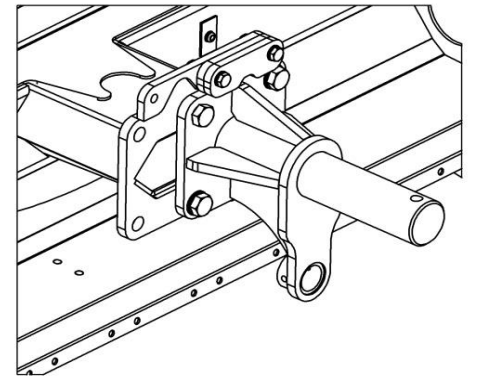
ASSY NUMBER: KIT-08337				ASSY DESCRIPTION: HEAD MOUNT			
ITEM	PART NO	DESCRIPTION	QTY	ITEM	PART NO	DESCRIPTION	QTY
1	805393 01	HEAD MOUNT W/A	1				
2	805380 02	BRACE PLATE	1				
3	805381 01	BOLT ON PLATE	1				
4	WSH-0018	WASHER	4				
5	WSH-0030	WASHER	8				
6	NUT-0269	NYLOC NUT	2				
7	NUTA02200	NYLOC NUT	4				
8	BLTA20410	BOLT	4				
9	BLTA12380	BOLT	2				

Shelbourne Reynolds Engineering Limited

BOLT LOCATION FOR LH DRIVE



BOLT LOCATION FOR RH DRIVE

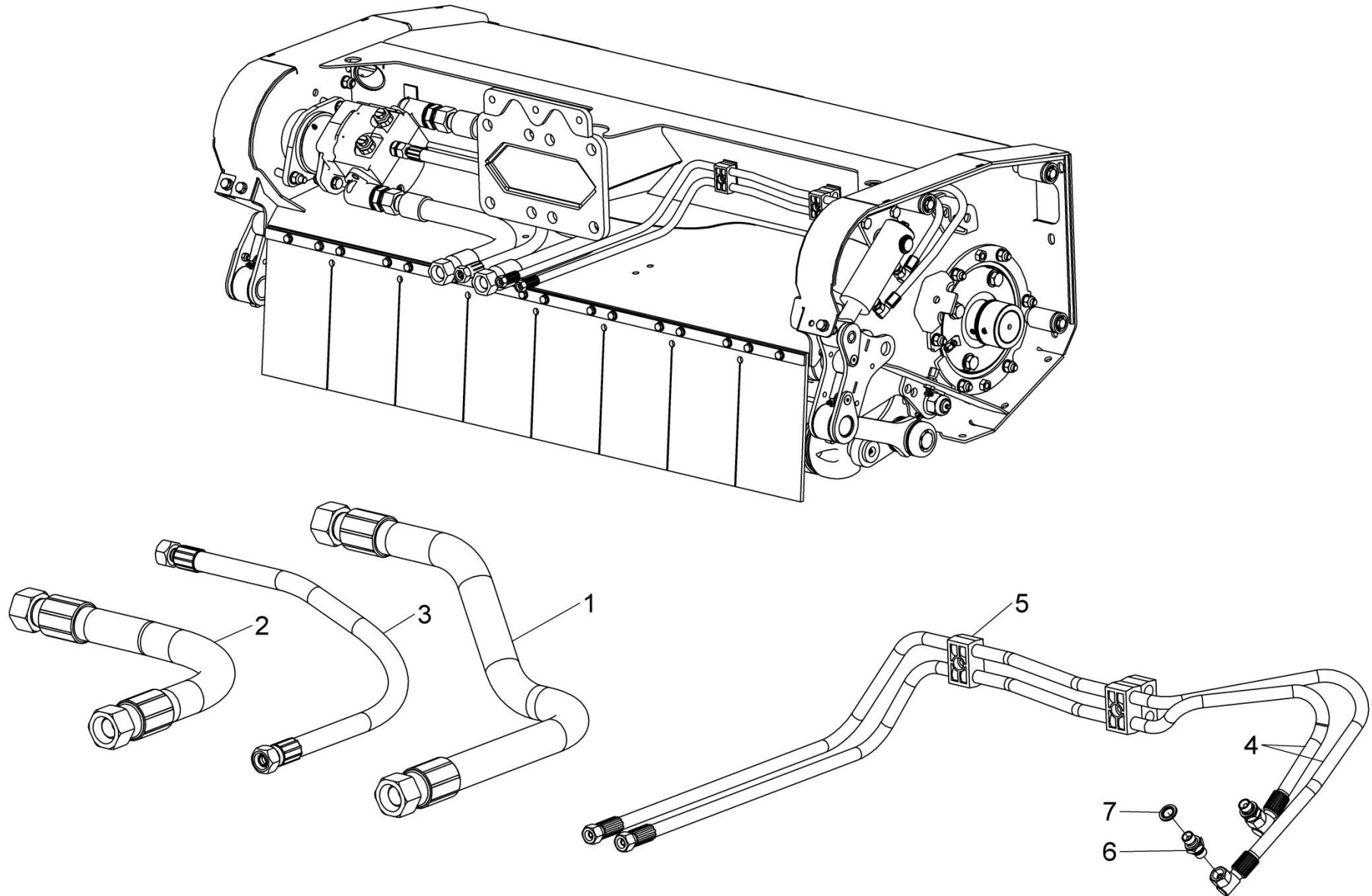


KIT-08337



Shelbourne Reynolds Engineering Limited

ASSY NUMBER: KIT-08338				ASSY DESCRIPTION: HC1200 HEAD HYDRAULICS			
ITEM	PART NO	DESCRIPTION	QTY	ITEM	PART NO	DESCRIPTION	QTY
1	HHAI08105	HOSE	1				
2	HHAI07105	HOSE	1				
3	HHAF27005	HOSE (VFRT)	1				
OR	HHAF19105	HOSE (TELE)	1				
4	HHCC32705	HOSE (VFRT)	2				
OR	HHCC23005	HOSE (TELE)	2				
5	HCPD01400	HYD.PIPE CLAMP	2				
6	HMA-0052	ADAPTOR	2				
7	WSH-1005	BONDED SEAL	2				
					KIT-08338A HYD	HC1200 HD HYD FOR HD865/875 VFRT	
					KIT-08338B HYD	HC1200 HD HYD FOR HD860/70/80 TELE	



NOTE:
IMAGES SHOW LH DRIVE HEAD SET UP HOSES ARE
OPPOSITE WAY FOR RH DRIVE HEAD SET UP

KIT-08338

