

## 8000 SERIES

### PARTS MANUAL



HEDGE / VERGE TRIMMER

Shelbourne Reynolds Engineering Ltd  
Stanton  
Bury St Edmunds  
Suffolk  
IP31 2AR  
England

Telephone: 01359 250415  
Fax: 01359 250464

Stores Direct : 01359 251231  
Stores Direct: 01359 252031

Issue 13      07/11/2023

# ORDERING SPARE PARTS

## IMPORTANT

Your Powerblade is made up of a Machine assembly number (common parts), specific sub assemblies and also customer optional build kits. The machine, sub assemblies and optional kit numbers are listed in the front pages of your Operators manual, part no. MAN-10006. If you do not have these numbers please contact Shelbourne Reynolds Parts Department direct on (telephone) 01359 251231.

To ensure that you order the correct part from your SRE dealer please use the following procedure.

## **ALWAYS QUOTE THE MACHINE AND SERIAL NUMBERS WHEN ORDERING.**

Refer to the Parts Manuals front page/s, listing the machine assemblies. Select the correct machine assembly number which is printed in the top left corner of the page (starting with 8099\_ \_ 01), This machine number can also be taken off the Powerblade identification plate located on the front of the main chassis beam.

On this page you will find the parts listing for the common parts for every configuration of that machine assembly number. You will find the corresponding drawing by either looking at the facing page or progressing through the manual to the next drawing. The drawings indicate the components by item numbers, which you will find, are repeated in the left-hand side of your parts listing, and therefore referring to the correct part.

Note all parts will not be found listed below the machine number. Other parts will be from specific sub assemblies and optional kits. These sub assemblies and kits will be found in numerical order further through the manual. Sub assemblies start with 809\_ \_ 01 and kits start with  
KIT- 08 \_ \_ \_.



# List Of Kit Numbers

809926 01	Trimmer Assembly	1
809035 01	Mainframe Sub Assembly	3
809036 01	Tank And Guards Sub Assembly	5
809036 01A	Tank Sub Assembly	7
809037 01	Lighting Board Sub Assembly	9

## **Kit Options** 12

KIT-08237	3 Point Linkage Stabiliser Kit	13
KIT-08239	Axle Mounted Stabilisers	15
KIT-08239A	Axle Mounted Stabilisers	17
KIT-08284	Drawbar Stabiliser Kit	19
KIT-08341	540 RPM Higher Power Drive Kit (M10 Large Gearbox) 2019 & On	21
KIT-08352	Blower Sub Assembly Kit	23
KIT-08393A HYD	HC1200 Head Motor Hydraulic Kit LH Drive VFRT	25
KIT-08393B HYD	HC1200 Head Motor Hydraulic Kit RH Drive VFRT	25
KIT-08393C HYD	HC1200 Head Motor Hydraulic Kit LH Drive TELE	25
KIT-08393D HYD	HC1200 Head Motor Hydraulic Kit RH Drive TELE	25
KIT-08395A HYD	HC1600 LH Head Motor Hydraulic Kit For VFRT	27
KIT-08395B HYD	HC1600 RH Head Motor Hydraulic Kit For VFRT	27
KIT-08395C HYD	HC1600 LH Head Motor Hydraulic Kit For TELE	27
KIT-08395D HYD	HC1600 RH Head Motor Hydraulic Kit For TELE	27
KIT-08401	Blower Kit	29
KIT-08407	HC Head Narrow Lane Bracket (LH Drive Heads Only)	31
KIT-08407A HYD	HC1200 Motor Hydraulics For Tele Narrow Lane Bracket	33
KIT-08407B HYD	HC1600 Motor Hydraulics For Tele Narrow Lane Bracket	35
KIT-08407C HYD	HC1200 Motor Hydraulics For VFRT Narrow Lane Bracket	37
KIT-08407D HYD	HC1600 Motor Hydraulics For VFRT Narrow Lane Bracket	39
KIT-08409	HC Hook Mounting Kit	41
KIT-08409A	GP Hook Mounting Kit	41
KIT-08413	HC Head Pivot Shoe Kit	43
KIT-08424	Machine End Controls (S-Touch Max)	45
KIT-08424A	Machine End Controls (S-Touch Compact)	45
KIT-08435	Options Kit (S-Touch)	47
KIT-08436	Machine Monitor Kit (S-Touch)	49
KIT-08448E HYD	Head Link Hose Kit HC/GP Head For TELE	51
KIT-08448F HYD	Head Link Hose Kit HC/GP Head For VFRT	53

KIT-08448G HYD	Head Link Hose Kit RH Drive HC Head For VFRT	55
KIT-08448H HYD	Head Link Hose Kit RH Drive HC Head For TELE	57
KIT-08448I HYD	Head Link Hose Kit Narrow Lane Bracket	
	Head Mount For VFRT	59
KIT-08452	GP Narrow Lane Bracket Head Motor Hydraulic Kit	61
KIT-08452A HYD	GP1200 TELE Standard Mounting Kit	61
KIT-08452B HYD	GP1200 VFRT Standard Mounting KIT	61
KIT-08452C HYD	GP1500 TELE Standard Mounting Kit	61
KIT-08452D HYD	GP1500 VFRT Standard Mounting Kit	61
KIT-08454	S-Touch Max Armrest Kit (Upto 2023)	63
KIT-08455	Valves Kit Telescopic	65
KIT-08455A	Valves Kit VFRT	67
KIT-08457	S-Touch Compact Armrest Kit (Upto 2023)	69
KIT-08458	6.0m Inner Boom	71
KIT-08460	Main Frame Hydraulics Kit	74
KIT-08461	7.0m Inner Boom	77
KIT-08462	8.0m Inner Boom	79
KIT-08463A	8060T Hydraulics for Head Options Kit	81
KIT-08463B	8070T Hydraulics for Head Options Kit	81
KIT-08463C	8080T Hydraulics for Head Options Kit	81
KIT-08463D	8065 VFRT Hydraulics for Head Options Kit	81
KIT-08463E	8075 VFRT Hydraulics for Head Options Kit	81
KIT-08464	Head Level Kit (S-Touch)	83
KIT-08465	8065 VFRT Outer Boom Kit	85
KIT-08465A	8065 VFRT Outer Boom Kit	87
KIT-08465HYD	8065 VFRT Outer Boom Hydraulics Kit	89
KIT-08466	8060T Telescopic Outer Boom Kit	91
KIT-08466A	8060T Outer Boom Sub	93
KIT-08466HYD	8060T Outer Boom Hydraulics	95
KIT-08467	8070T Telescopic Outer Boom Kit	97
KIT-08467A	8070T Outer Boom Sub	99
KIT-08467 HYD	8070T Outer Boom Hydraulics	101
KIT-08468A	8060T Transfers Kit	103
KIT-08468B	8070T Transfers Kit	103
KIT-08468C	8080T Transfers Kit	103
KIT-08468D	8065 VFRT Transfers Kit	103
KIT-08468E	8075 VFRT Transfers Kit	103
KIT-08469	8075 VFRT Outer Boom Kit	105
KIT-08469A	8075 VFRT Outer Boom Sub	107
KIT-08469 HYD	8075 VFRT Outer Boom Hydraulics	109
KIT-08470	Highways Kit	111
KIT-08472	Safety Decal Only Transfer Kit	113
KIT-08474	Standard Drive Kit (540 RPM)	115

KIT-08479	800 RPM Higher Power Drive Kit	117
KIT-08492	8080T Telescopic Outer Boom Kit	119
KIT-08492A	8080T Outer Boom Sub Assembly	121
KIT-08492HYD	8080T Outer Boom Hydraulics	123
KIT-08495	Bump Stop Kit (150mm)	125
KIT-08501	Universal Head Bracket Kit (GP & HC Head)	127
KIT-08506	Hose Support Kit (8000 Outer BM'S)	129
KIT-08517	S-Touch Max Armrest Kit (Late 2022 & On)	131
KIT-08518	S-Touch Compact Armrest Kit (Late 2022 & On)	133
KIT-08521	GP Narrow Lane Bracket	135
KIT-08533	Valve Block Fixing Kit	137

## **Breakdown Pages** 140

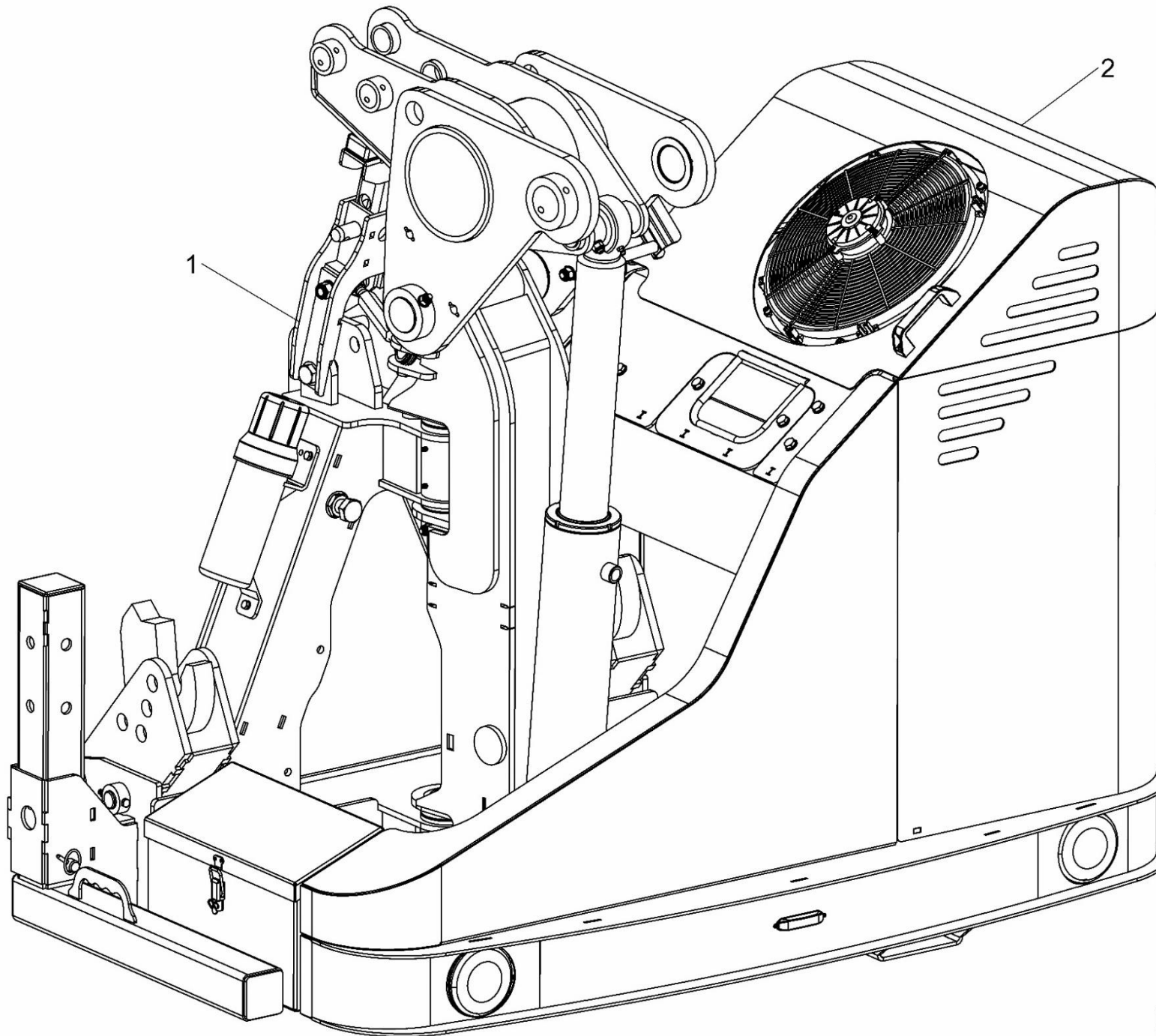
GEA-0183	Gearbox	141
HVB-19120	Rotor Control Valve	143
HVB-19190	Valve Block Cylinders	145



**Shelbourne Reynolds Engineering Limited**

ASSY NUMBER: 809926 01				ASSY DESCRIPTION: MAIN TRIMMER ASSEMBLY (8000)			
ITEM	PART NO	DESCRIPTION	QTY	ITEM	PART NO	DESCRIPTION	QTY
1	809035 01	MAIN FRAME SUB ASSY	1				
2	809036 01	TANK & GUARDS SUB ASSY	1				



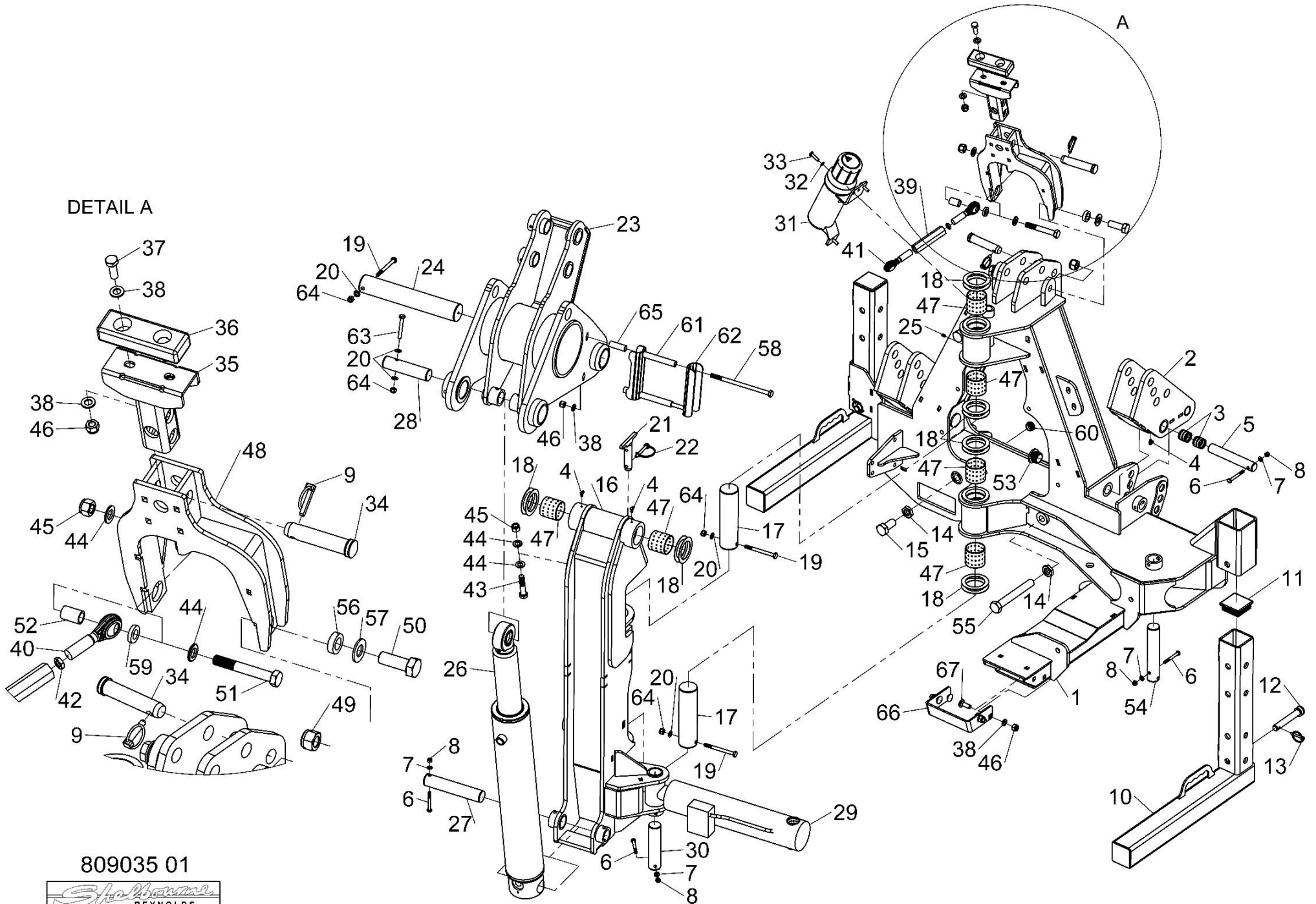


809926 01



### Shelbourne Reynolds Engineering Limited

ASSY NUMBER: 809035 01				ASSY DESCRIPTION: MAIN FRAME SUB ASSEMBLY (8000)			
ITEM	PART NO	DESCRIPTION	QTY	ITEM	PART NO	DESCRIPTION	QTY
1	803585 01	MAIN FRAME W/A	1	39	804236 01	ADJUSTER	1
2	803589 01	LIFT ARM BRACKET W/A	2	40	804095 01	BALL END RH	1
3	BSHO03056	WRAPPED BUSH	4	41	804096 01	BALL END LH	1
4	NIP-00605	GREASE NIPPLE	4	42	NUTB03450	HALF NUT	1
5	800101 39	PIN	2	43	BLT-2316	BOLT	1
6	BLTA08440	BOLT	5	44	WSH-0024	WASHER	4
7	WSH-0012	WASHER	5	45	NUT-0271	NYLOC NUT	2
8	NUT-0263	NYLOC NUT	5	46	NUT-0269	NYLOC NUT	8
9	PIN-01950	LYNCH PIN	2	47	BSHO06071	WRAPPED BUSH	6
10	806770 01	STAND W/A	2	48	804140 01	BUMP STOP W/A	1
11	21709004	END CAP	2	49	NUTA02200	NYLOC NUT	2
12	39010206	PIN	2	50	BLT-2365	BOLT	2
13	PIN-01601	LYNCH PIN	2	51	BLT-2325	BOLT	1
14	NUT-0390	HALF NUT	3	52	804141 01	SHORT SPACER	1
15	HSS-0400	SETSCREW	2	53	21709039	PLASTIC CAP	2
16	803740 01	PILLAR W/A	1	54	804227 01	PIN	1
17	803240 04	PIN	2	55	HSSA24770	BOLT	1
18	803327 01	SHIM	18	56	198800 53	SPACER	2
19	BLTA10590	BOLT	3	57	198800 36	WASHER	2
20	WSH-0015	WASHER	5	58	BLTA12860	BOLT	2
21	805388 01	LOCKING PIN	1	59	190119 85	WASHER	1
22	PIN-1720	LYNCH PIN	1	60	PTF-00130	ROUND INSERT	3
23	806771 01	ROCKER W/A	1	61	805913 01	HOSE GUIDE	1
24	803240 03	PIN	1	62	805915 01	GUIDE PLATE	1
25	NIP-00600	GREASE NIPPLE	4	63	BLTA10470	BOLT	1
26	806740 01	LIFT CYLINDER T8070211413 & ON	1	64	NUT-0265	NYLOC NUT	1
OR	803625 01	LIFT CYLINDER UPTO T8070211413	1	65	804732 01	SPACER TUBE	2
27	802839 02	PIN	1	66	807371 01	STOP STRAP	1
28	807029 01	MACHINED PIN	1	67	BLTF12233	COACH BOLT	4
29	807535 01	BREAKBACK CYL T80XX231722 & ON	1				
OR	804580 01	BREAKBACK CYL UPTO T80XX231722	1				
30	802839 07	PIN	1				
31	PCN-00100	CANNISTER FOR MANUALS	1				
32	WSH-0058	WASHER	3				
33	HSS-0150	SETSCREW	3				
34	800198 01	PIN	2				
35	804031 01	BUMP STOP W/A	1				
36	801367 01	BUMP STOP	1				
37	HSS-0241	SETSCREW	2				
38	WSH-0018	WASHER	11				

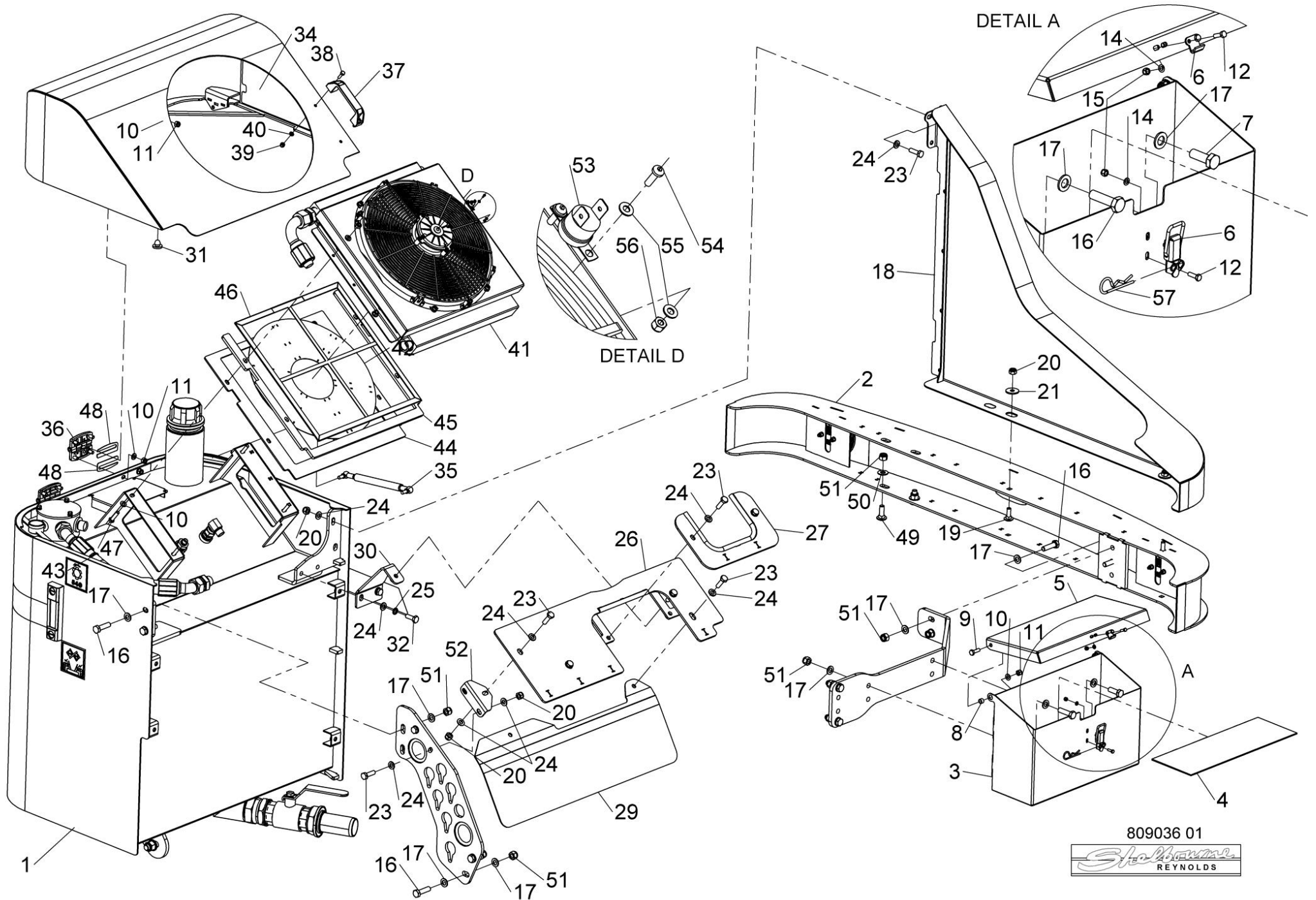


809035 01



**Shelbourne Reynolds Engineering Limited**

ASSY NUMBER: 809036 01				ASSY DESCRIPTION: TANK ASSEMBLY (8000)			
ITEM	PART NO	DESCRIPTION	QTY	ITEM	PART NO	DESCRIPTION	QTY
1	809036 01A	TANK SUB ASSEMBLY	1	41	HOC-00020	OIL COOLER	1
2	809037 01	LIGHT BOARD SUB ASSEMBLY	1	42	804760 01	FAN COVER	1
3	804184 01	TOOLBOX W/A	1	43	TIE-0023	TIE WRAP, COLOUR BLACK	18
4	803907 01	TOOLBOX MAT	1	44	805383 01	MESH COVER FRAME	1
5	804183 01	TOOLBOX LID	1	45	805366 01	MESH FRAME SPACER PLATE	1
6	LTH-01020	TOGGLE LATCH	1	46	807498 01	MESH SCREEN T8065231782 & ON	1
7	HSS-0241	SET SCREW	2	OR	804165 01	MESH SCREEN UPTO T8065231782	1
8	801287 01	GUIDE ROLLER	2	47	HSS-0152	SETSCREW	4
9	HSS-0145	SETSCREW	2	48	806802 01	TANK SHIM	4
10	WSH-0012	PLAIN WASHER	18	49	BLTF12233	COACHBOLT	2
11	NUT-0263	NYLOC NUT	14	50	190119 89	WASHER	2
12	HSS-0058	SETSCREW	4	51	NUT-0269	NYLOC NUT	8
13	804180 01	LOWER STRAP	1	52	805385 01	GUARD BRKT	1
14	WSH-0006	WASHER	4	53	SWT-32500	THERMAL SWITCH	1
15	NUT-0258	NUT	4	54	SCBF03054	SCREW	2
16	BLTA12290	BOLT	10	55	WSH-0001	WASHER	4
17	WSH-0018	WASHER	16	56	NUTA02030	NYLOC NUT	2
18	806753 01	REAR GUARD W/A	1	57	CLP-00103	R CLIP	1
19	BLT-3750	COACH BOLT	2				
20	NUT-0265	NYLOC NUT	6				
21	198800 51	WASHER	2				
22							
23	HSS-0198	SET SCREW	9				
24	WSH-0015	WASHER	16				
25	WSH-0061	SPRING WASHER	2				
26	806759 01	TOP COVER W/A	1				
27	806766 01	HOSE GUIDE W/A	1				
28	806768 01	MOUNTING BKT W/A	1				
29	804221 01	COVER PLATE W/A	1				
30	806762 01	MOUNTING BKT	1				
31	RUB-0330	RUBBER GROMMET	2				
32	HSS-0194	SET SCREW	2				
33	806742 01	TOP COVER W/A	1				
34	806763 01	MESH COVER	1				
35	GSTA08229	GAS SPRING	1				
36	HIN-10110	HINGE	2				
37	HND-0000	PLASTIC HANDLE	1				
38	HSS-0086	SETSCREW	2				
39	NUT-0260	NYLOC NUT	2				
40	WSH-0009	WASHER	2				

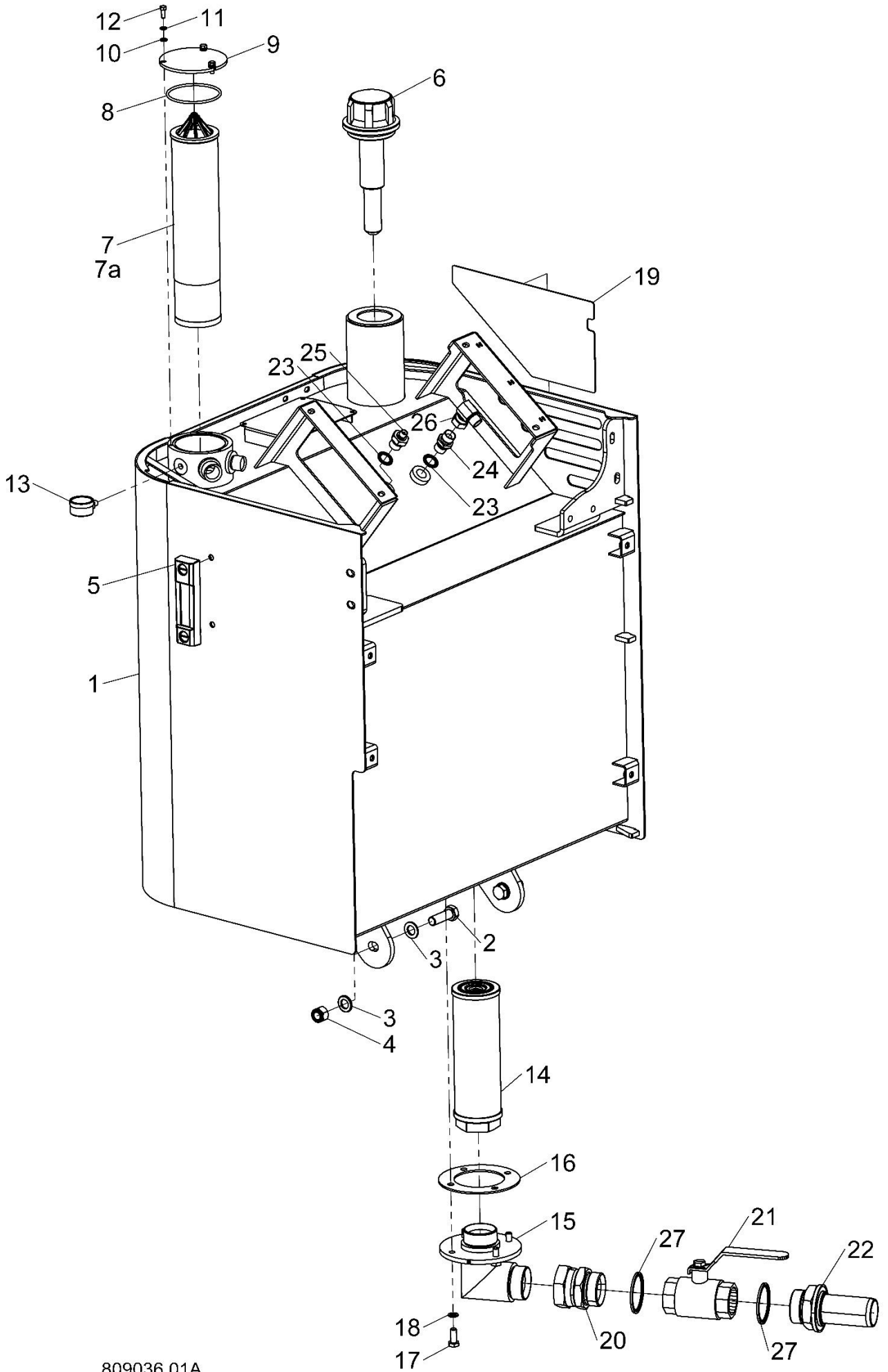


809036 01



**Shelbourne Reynolds Engineering Limited**

ASSY NUMBER: 809036 01A				ASSY DESCRIPTION: TANK SUB ASSEMBLY (8000)			
ITEM	PART NO	DESCRIPTION	QTY	ITEM	PART NO	DESCRIPTION	QTY
1	806741 01	TANK W/A	1				
2	HSS-0318	SETSCREW	2				
3	WSH-0024	WASHER	4				
4	NUT-0271	NYLOC NUT	2				
5	GAU-0010	FLUID LEVEL	1				
6	FIL-0180	FILLER BREATHER	1				
7	FIL-0190A	FILTER HOLDER AND FILTER	1				
7A	FIL-0200A	FILTER ELEMENT	1				
8	ORA260900	O RING	1				
9	804327 01	RETURN FILTER LID	1				
10	WSH-0009	WASHER	3				
11	WSH-0056	SPRING WASHER	3				
12	HSS-0084	SETSCREW	3				
13	FIL-0210	FILTER VISUAL INDICATOR	1				
14	SUC-0120	SUCTION ELEMENT	1				
15	806466 01	SUCTION ELBOW	1				
16	804644 01	SUCTION ELBOW GASKET	1				
17	HSS-0191	SETSCREW	4				
18	WSH-0061	SPRING WASHER	4				
19	806763 01	MESH COVER	1				
20	HACAA1919	ADAPTOR	1				
21	HVB-02640	BALL VALVE	1				
22	HFAD05583	STR.HOSE END	1				
23	WSH-1015	WASHER	2				
24	HMA-0067	ADAPTOR	1				
25	HMA-0055	ADAPTOR	1				
26	HALAA0707	ELBOW FITTING	1				
27	DWS-00070	DOWTY WASHER	2				



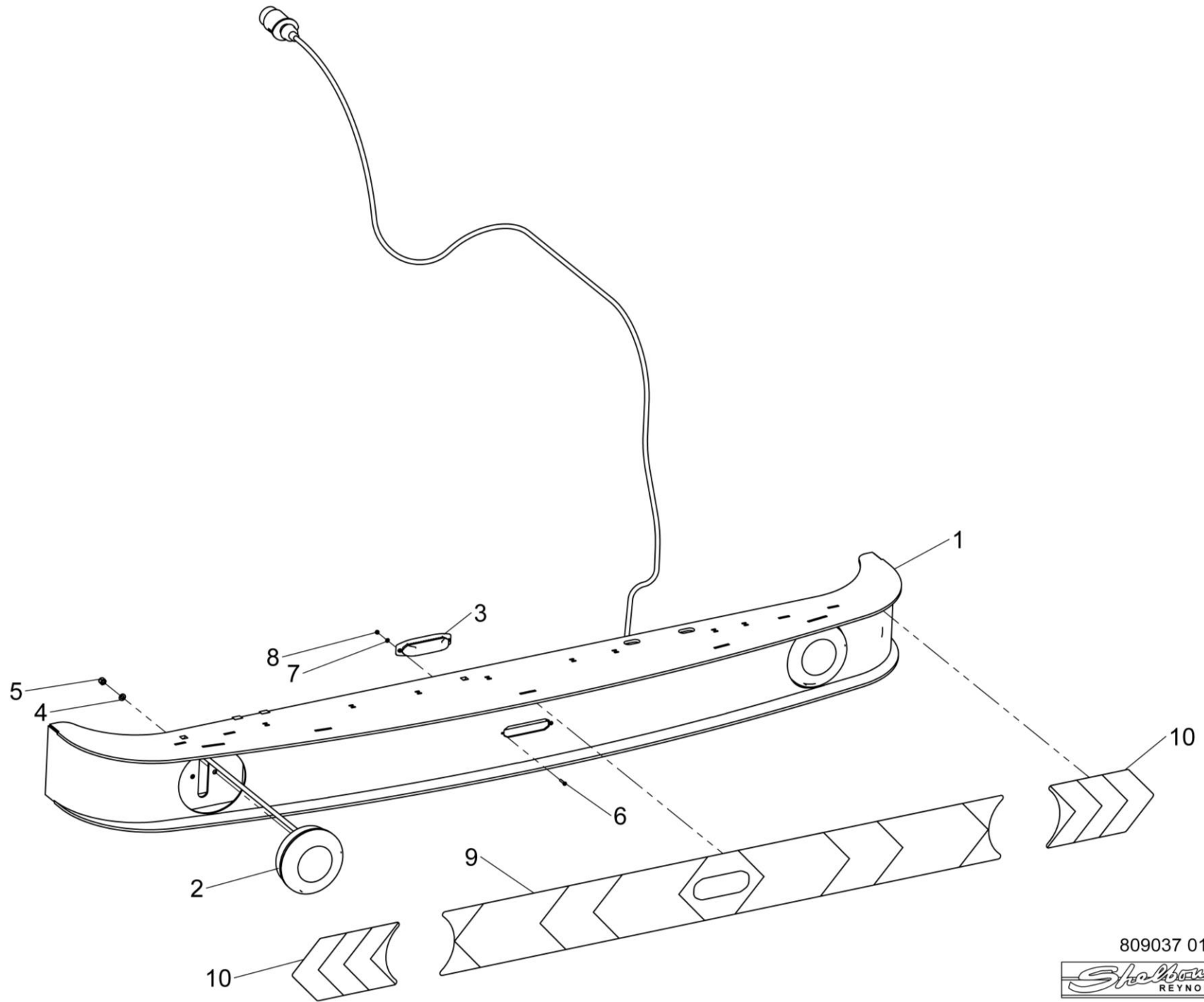
809036 01A



**Shelbourne Reynolds Engineering Limited**

ASSY NUMBER: 809037 01				ASSY DESCRIPTION: LIGHTING BOARD SUB ASSEMBLY (8000)			
ITEM	PART NO	DESCRIPTION	QTY	ITEM	PART NO	DESCRIPTION	QTY
1	806778 01	LIGHT BEAM W/A	1				
2	804683 01	MAIN LIGHTING KIT	1				
3	804684 01	WARNING LIGHT KIT	1				
4	WSH-0009	PLAIN WASHER	4				
5	NUT-0260	NYLOC NUT	4				
6	SCFC03110	PAN HD SCREW	2				
7	WSH-0001	PLAIN WASHER	2				
8	NUTA02030	NYLOC NUT	2				
9	806780 01	CENTRE CHEVRON TRANSFER	1				
10	806611 01	OUTER CHEVRON TRANSFER	2				





809037 01





# Kit Options

**Shelbourne Reynolds Engineering Limited**

ASSY NUMBER:		KIT-08237		ASSY DESCRIPTION:		STABILISER KIT-3 POINT LINKAGE	
ITEM	PART NO	DESCRIPTION	QTY	ITEM	PART NO	DESCRIPTION	
1	800929 01	3-POINT SHAFT	2				
2	BLTA24624	BOLT MID2023 & ON	2				
OR	BLTA24620	BOLT UPTO MID2023	2				
3	NUT-0275	NYLOC NUT	2				
4	WSH-0036	PLAIN WASHER	4				
5	21728202	PIN	2				
6	PIN-01950	LYNCH PIN	7				
7	803942 01	3-POINT YOKE	1				
8	806069 01	NOSE PLATE 38mm	1				
OR	805965 01	ROCKER 32mm MID-END 2019	1				
OR	806071 01	LONGER NOSE PLATE 38mm	-				
		AVAILABLE FOR FENDT 5/700 & MF					
OR	807425 01	LONGER NOSE PLATE 40mm					
		AVAILABLE FOR FENDT 800/900					
9	800199 01	PIN	3				
10	803949 01	SPACER 38OD 32ID	1				
11	803949 02	SPACER 38OD 28ID	1				
12	803949 03	SPACER 38OD 26ID	1				
13	ADL-11600	TOP LINK MID2023 & ON 8000 ONLY	1				
OR	ADL-11540	TOP LINK (600 & HD700)	1				
14	800198 03	PIN <sup>8000</sup> /HD800 ONLY	2				
15	-	- MID 2023 & ON	-				
OR	800198 02	PIN UPTO MID 2023	1				
16	800198 01	PIN	2				
17	800934 01	SPACER	4				
18	802609 01	SPACER	2				
19	800197 01	SPACER 32OD 26ID MID-END 2019	1				
20	800197 02	SPACER 32OD 29ID MID-END 2019	1				

KIT SUPPLIED ON 600/700 MODELS  
PBXXX170661 & ON

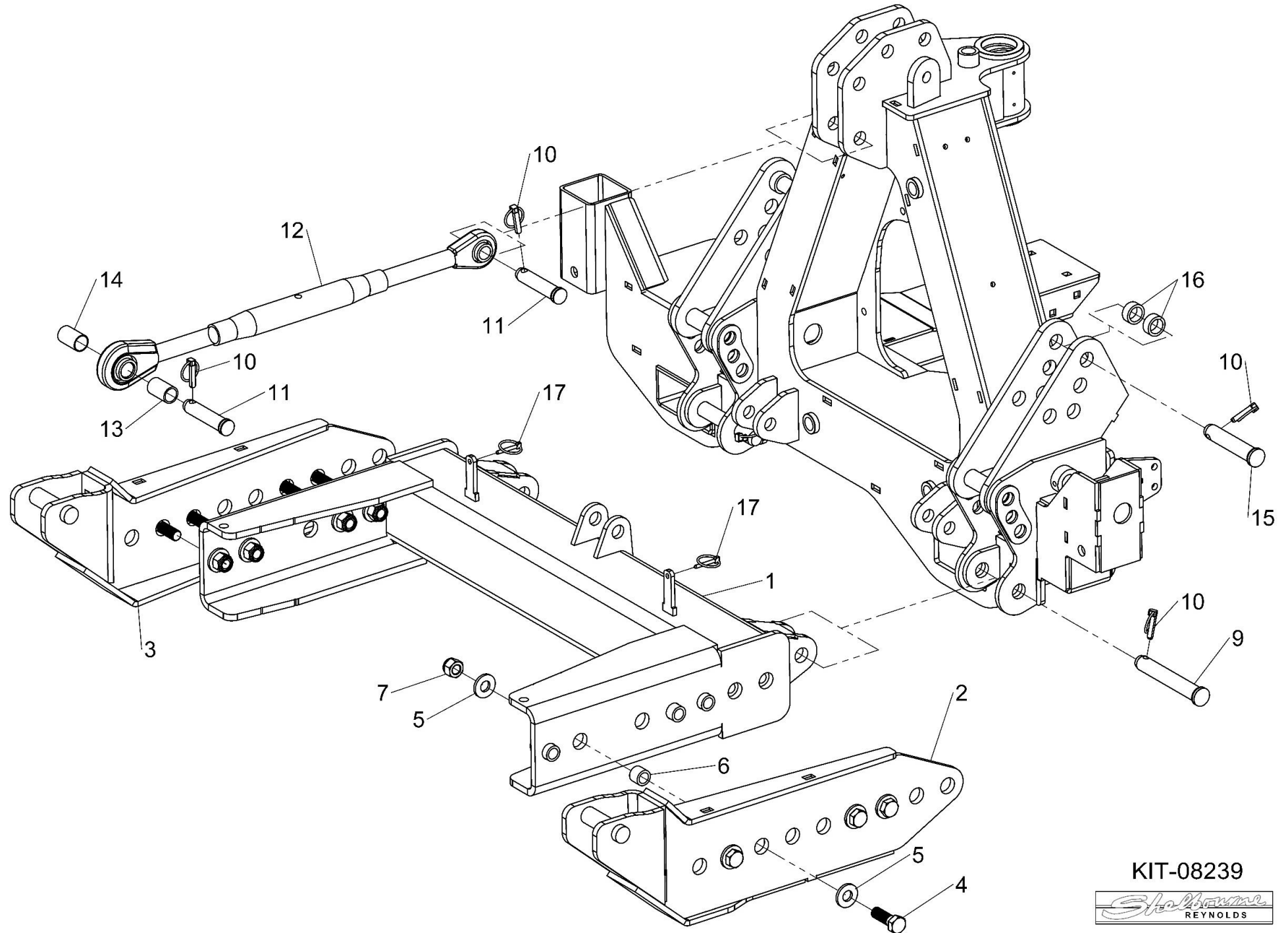
KIT-08237 - STABILISER KIT-3 POINT  
LINKAGE (HD800 ONLY)

KIT-08237A STABILISER KIT-3 POINT  
LINKAGE (600 AND HD700 ONLY)



**Shelbourne Reynolds Engineering Limited**

ASSY NUMBER:		KIT-08239		ASSY DESCRIPTION:		STABILISERS - AXLE MOUNTING	
ITEM	PART NO	DESCRIPTION	QTY	ITEM	PART NO	DESCRIPTION	QTY
1	803962 01	HITCH SUBFRAME	1				
2	804286 01	LH LIFT ARM	1				
3	804286 02	RH LIFT ARM	1				
4	BLT-2366	BOLT	8				
5	190119 47	WASHER	16				
6	800233 01	SPACER	8				
7	NUTA02200	NYLOC NUT	8				
8							
9	800199 06	PIN	2				
10	PIN-01950	LYNCH PIN	6				
11	800198 01	PIN	2				
12	ADL-13570	TOP LINK ASSY	1				
13	800197 01	SPACER	1				
14	800197 02	SPACER	1				
15	800199 01	LOWER PIN	2				
16	800934 01	SPACER	4				
17	PIN-01601	LYNCH PIN	2				



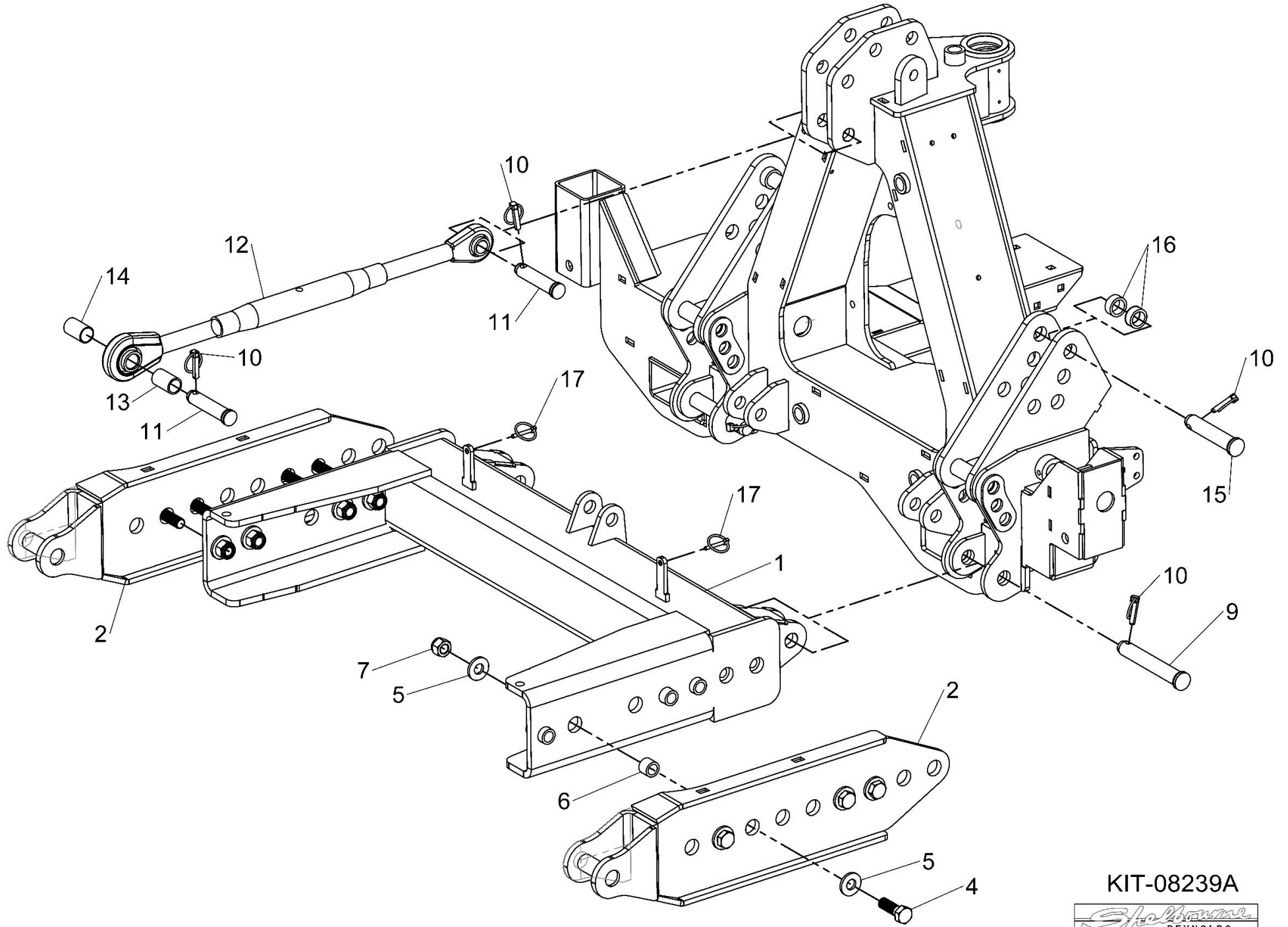
KIT-08239



**Shelbourne Reynolds Engineering Limited**

ASSY NUMBER:		KIT-08239A		ASSY DESCRIPTION:		STABILISERS - AXLE MOUNTING	
ITEM	PART NO	DESCRIPTION	QTY	ITEM	PART NO	DESCRIPTION	QTY
1	803962 01	HITCH SUBFRAME	1				
2	807447 01	STRAIGHT LIFT ARM	2				
3							
4	BLT-2366	BOLT	8				
5	190119 47	WASHER	16				
6	800233 01	SPACER	8				
7	NUTA02200	NYLOC NUT	8				
8							
9	800199 06	PIN	2				
10	PIN-01950	LYNCH PIN	6				
11	800198 01	PIN	2				
12	ADL-13570	TOP LINK ASSY	1				
13	800197 01	SPACER	1				
14	800197 02	SPACER	1				
15	800199 01	LOWER PIN	2				
16	800934 01	SPACER	4				
17	PIN-01601	LYNCH PIN	2				



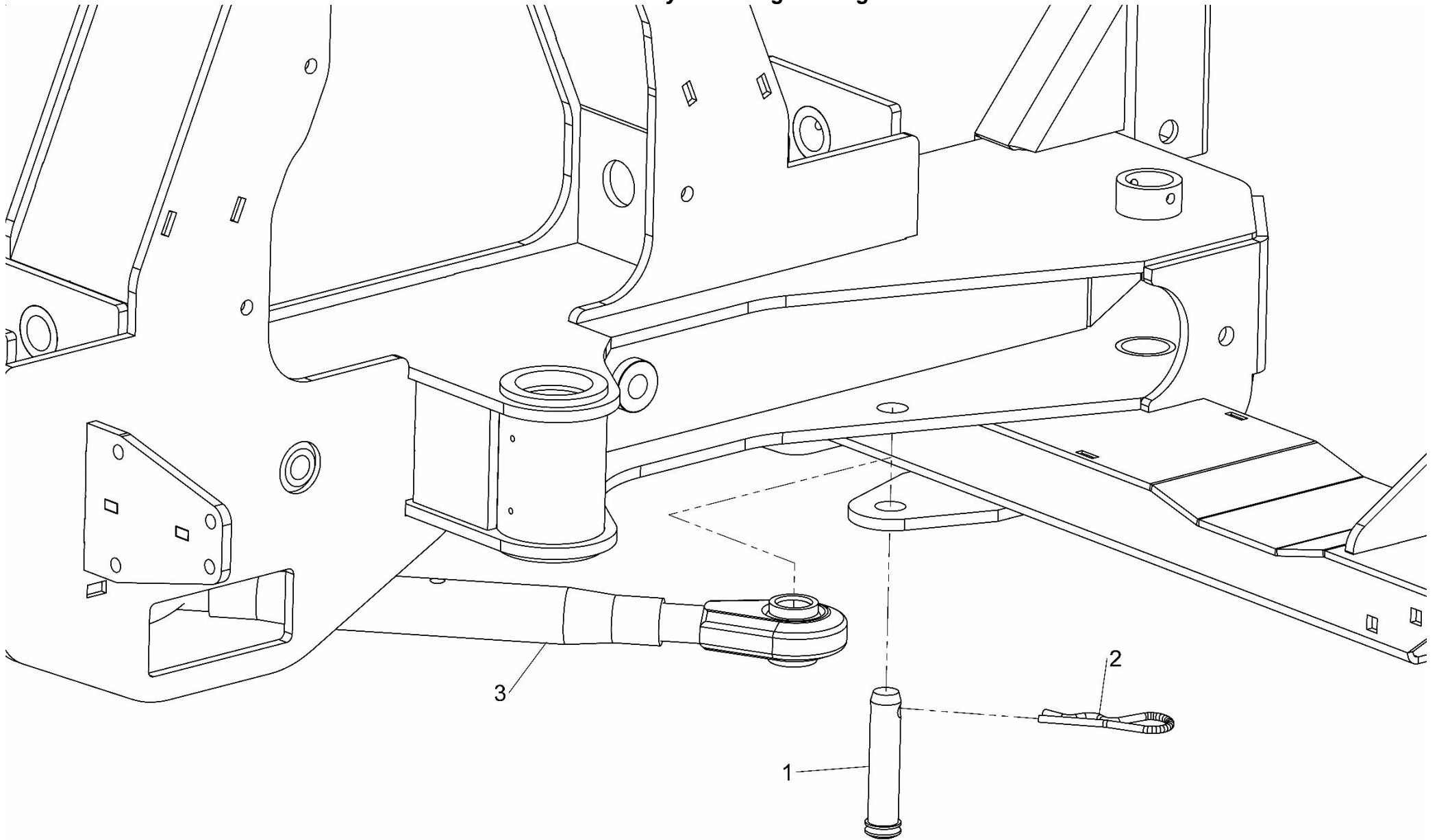


KIT-08239A



**Shelbourne Reynolds Engineering Limited**

ASSY NUMBER: KIT-08284				ASSY DESCRIPTION: DRAWBAR KIT (400,600,6000, 7000,HD800 & 8000)			
ITEM	PART NO	DESCRIPTION	QTY	ITEM	PART NO	DESCRIPTION	QTY
1	800198 01	TOP LINK PIN CAT II	1				
2	CLP-00106	R CLIP	1				
3	ADL-13500	ADJUSTABLE TOP LINK	1				
OR	ADL-13570	ADJUSTABLE TOP LINK (LONGER)	AR				
						FOR 400 PB45X201298 & ON FOR 600 MID 2019 & ON	

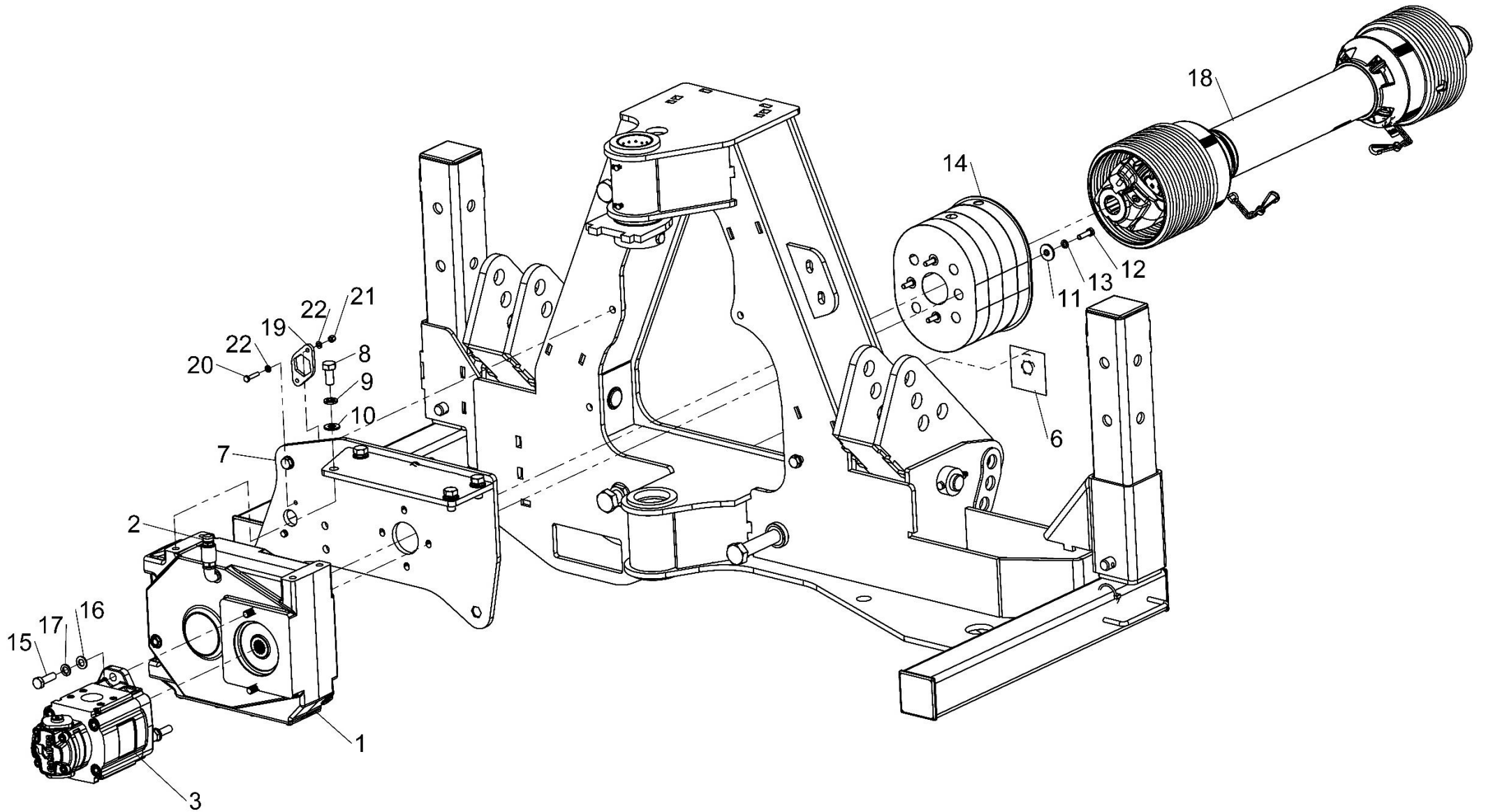


KIT-08284



**Shelbourne Reynolds Engineering Limited**

ASSY NUMBER: KIT-08341				ASSY DESCRIPTION: 540RPM HIGHER POWER DRIVE KIT 2018 & ON			
ITEM	PART NO	DESCRIPTION	QTY	ITEM	PART NO	DESCRIPTION	QTY
1	GEA-0187	GEARBOX	1				
2	OIL-	GEARBOX OIL	2.4L«				
3	PUM090570	TANDEM PUMP	1				
4							
5							
6	590475 01	TRANSFER 540RPM	1				
7	805589 01	GEARBOX MOUNT	1				
8	HSSA14200	SETSCREW	4				
9	WSHA15141	SPRING WASHER	4				
10	WSH-0021	WASHER	4				
11	805597 01	SPACER	4				
12	HSS-0150	SETSCREW	4				
13	WSH-0058	SPRING WASHER	4				
14	PTO-00903	PTO GUARD	1				
15	HSS-0250	SETSCREW	2				
16	WSH-0018	WASHER	2				
17	WSH-0065	WASHER	2				
18	PTO-37000	PTO SHAFT 2019 & ON	1				
19	804647 01	RETAINING RING	1				
20	HSS-0092	SET SCREW	2				
21	NUT-0260	NYLOC NUT	2				
22	WSH-0009	PLAIN WASHER	4				

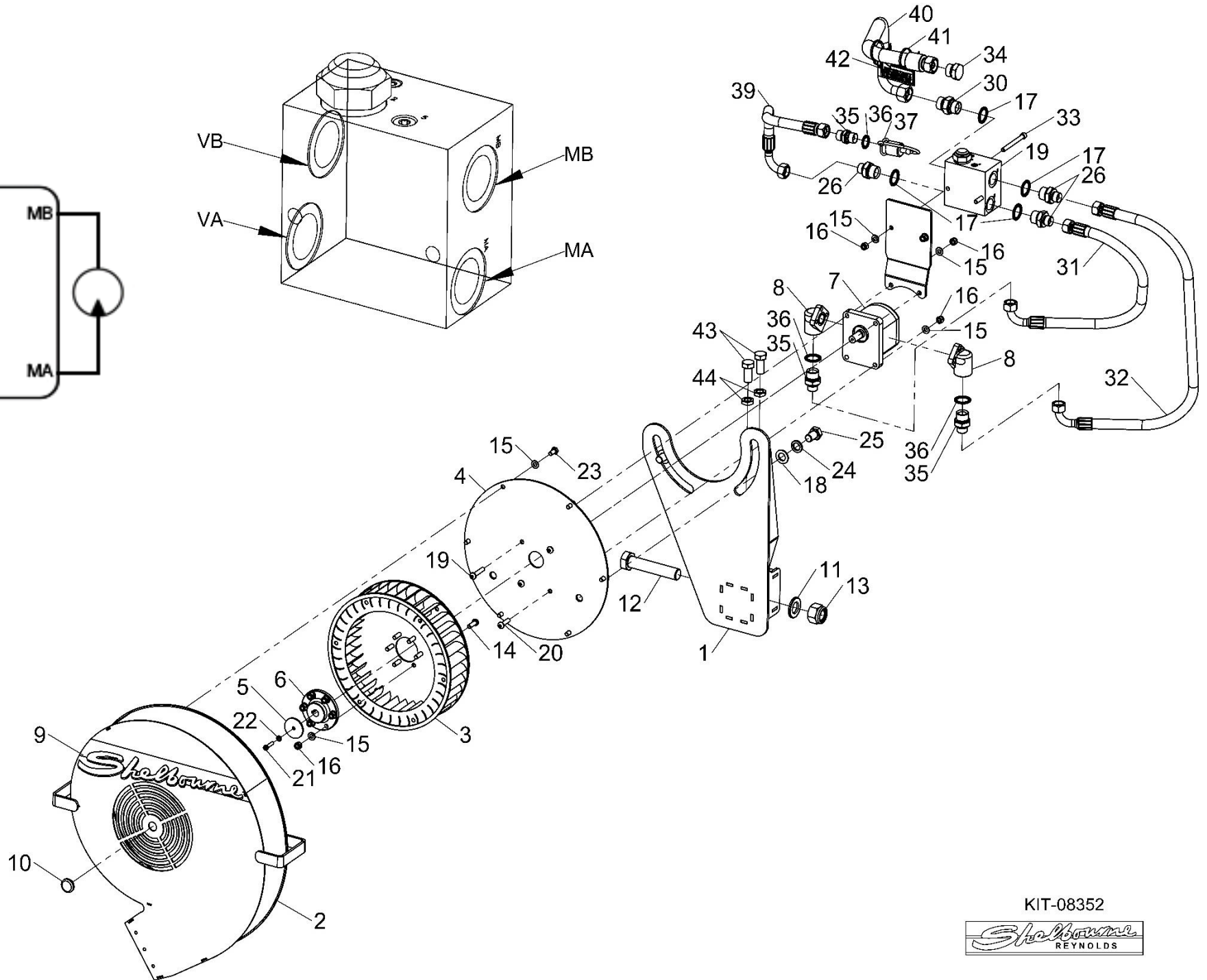
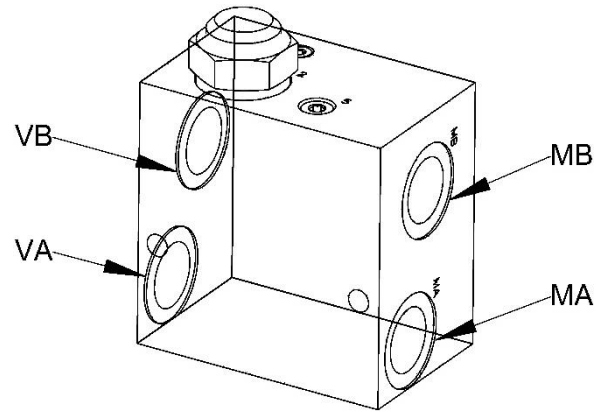
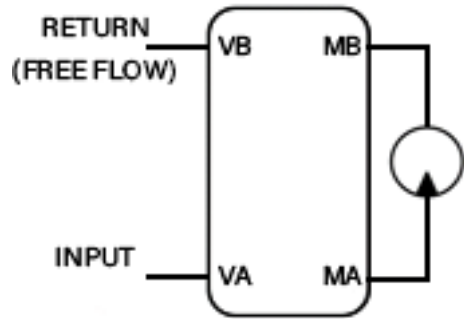


KIT-08341



**Shelbourne Reynolds Engineering Limited**

ASSY NUMBER: KIT-08352				ASSY DESCRIPTION: SUB ASSY TRIMMER BLOWER KIT			
ITEM	PART NO	DESCRIPTION	QTY	ITEM	PART NO	DESCRIPTION	QTY
1	802758 01	DEBRIS BLOWER PIVOTING MT W/A	1	41	TIE-0004	TIE WRAPS	2
2	802607 01	FAN HOUSING W/A	1	42	612230 01	HYD RETURN LABEL	1
3	802778 01	IMPELLER W/A	1	43	HSS-0315	BOLT	2
4	803109 01	MOTOR MTG PLATE W/A	1	44	NUT-0380	HALF NUT (M16)	2
5	802779 01	TOP WASHER IMPELLER	1				
6	803107 01	CENTRE HUB	1				
7	MOTH01100	BI DIRECTIONAL HYD MOTOR	1				
8	PUM990430	FLANGE	2				
9	802699 01	SHELBOURNE TRANSFER	1				
10	BPG-00200	PLASTIC BODY PLUG	1				
11	WSH-0036	WASHER	1		KIT-08352 HYD	HYDRAULICS FOR BLOWER KIT	
12	HSSA24620	SETSCREW	1				
13	NUT-0275	NYLOC NUT	1				
14	SCBA08172	BUTT SCREW	6				
15	WSH-0012	WASHER	19				
16	NUT-0263	NYLOC NUT	13				
17	WSH-1020	DOWTY WASHER	4				
18	WSH-0024	WASHER	2				
19	SCBA08260	BUTT SCREW	2				
20	SCBA08202	BUTT SCREW	2				
21	SCW-0086	CAP HD SCREW	1				
22	WSH-0056	SPRING WASHER	1				
23	HSS-0135	BOLT	6				
24	WSH-0070	SPRING WASHER	2				
25	HSS-0312	SETSCREW	2				
26	HMA-0060	M/M ADAPTER	3				
27							
28							
29	HVB-19160	MOTOR VALVE	1				
30	HMA-0074	M/M ADAPTER	1				
31	HHBF04705	HYD HOSE	1				
32	HHBF05505	HYD HOSE	1				
33	SCCA08503	CAP SOCKET HD SCREW	2				
34	FITC00311	BLANKING PLUG	1				
35	HMA-0067	M/M ADAPTER	3				
36	WSH-1015	DOWTY WASHER	3				
37	COU-0162	QUICK RELEASE COUPLING	1				
38	805691 01	SUPPORT BRACKET	1				
39	HHBF27505	HOSE ASSY P - VA	1				
40	HHBH26805	HOSE ASSY VB-TANK	1				



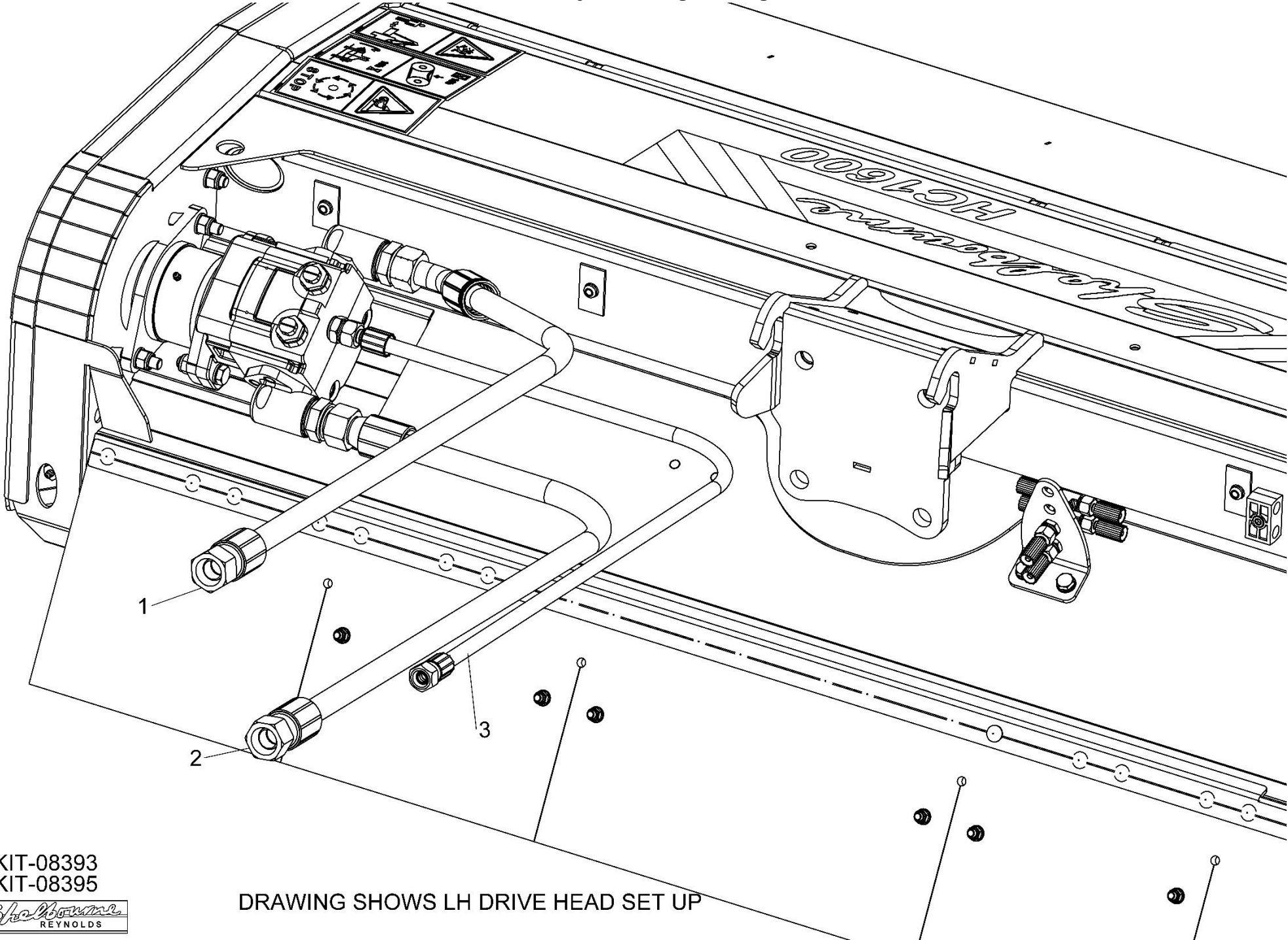
KIT-08352



**Shelbourne Reynolds Engineering Limited**

ASSY NUMBER: KIT-08393				ASSY DESCRIPTION: HC1200 HEAD MOTOR HYDRAULICS KIT			
ITEM	PART NO	DESCRIPTION	QTY	ITEM	PART NO	DESCRIPTION	QTY
1	HHDI06405	HOSE LH DRIVE	1				
OR	HHDI04805	HOSE RH DRIVE	1				
2	HHAI05205	HOSE LH DRIVE	1				
OR	HHAI04305	HOSE RH DRIVE	1				
3	HHAF27005	HOSE LH DRIVE VFRT	1				
OR	HHAF20405	HOSE LH DRIVE TELE	1				
OR	HHAF25505	HOSE RH DRIVE VFRT	1				
OR	HHAF17605	HOSE RH DRIVE TELE	1				
					KIT-08393A HYD	HC1200 HEAD MOTOR HYDRAULICS KIT LH DRIVE VFRT	
					KIT-08393B HYD	HC1200 HEAD MOTOR HYDRAULICS KIT RH DRIVE VFRT	
					KIT-08393C HYD	HC1200 HEAD MOTOR HYDRAULICS KIT LH DRIVE TELE	
					KIT-08393D HYD	HC1200 HEAD MOTOR HYDRAULICS KIT RH DRIVE TELE	





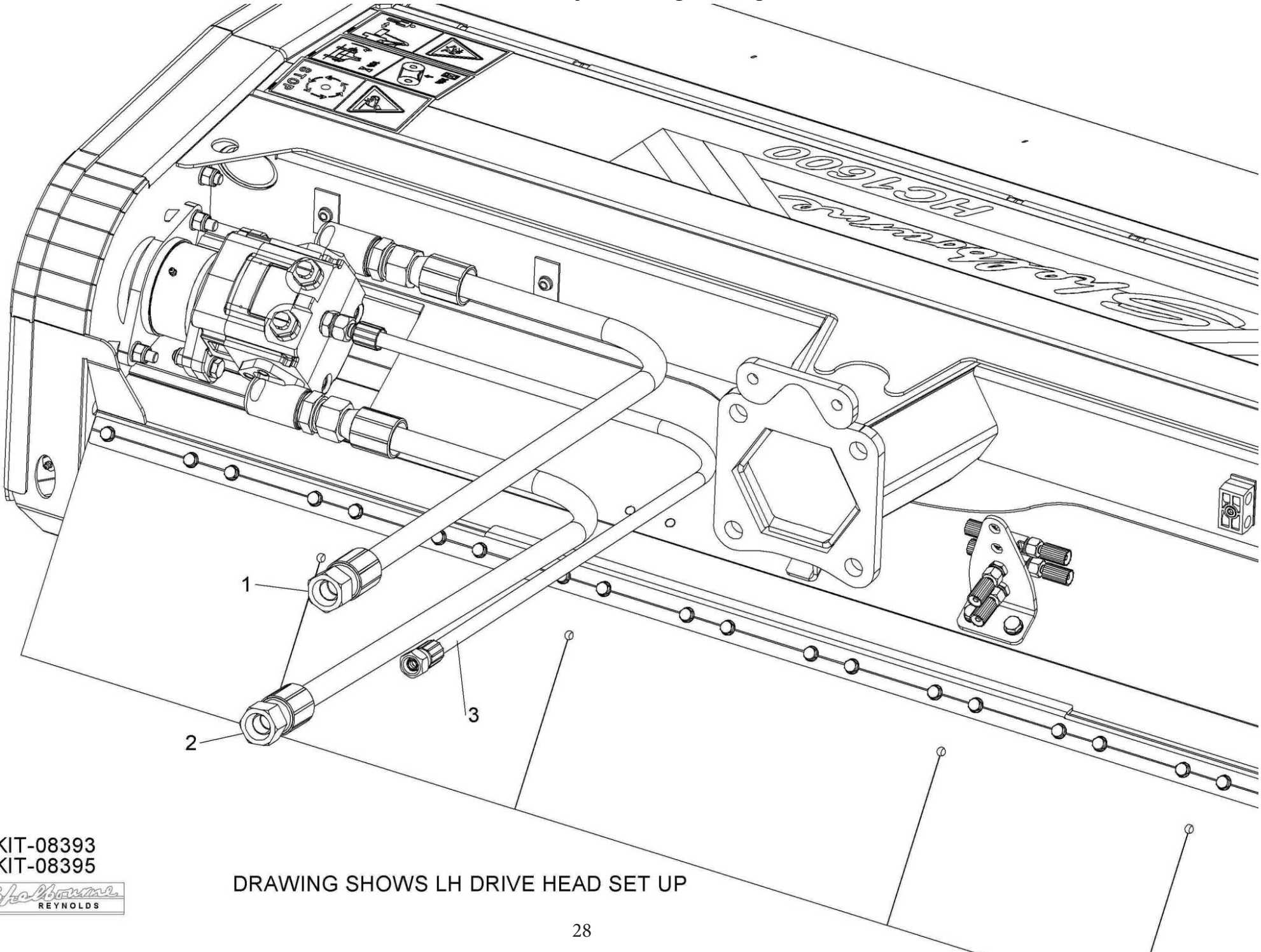
KIT-08393  
KIT-08395



DRAWING SHOWS LH DRIVE HEAD SET UP

**Shelbourne Reynolds Engineering Limited**

ASSY NUMBER: KIT-08395				ASSY DESCRIPTION: HC1600 HEAD MOTOR HYDRAULICS			
ITEM	PART NO	DESCRIPTION	QTY	ITEM	PART NO	DESCRIPTION	QTY
1	HHAI08905	HOSE LH DRIVE 2020 & ON	1				
OR	HHAI09105	HOSE LH DRIVE UPTO 2020 (INC PB8X5201188, 194 & 290)	1				
OR	HHAI07405	HOSE RH DRIVE	1				
2	HHAI07405	HOSE LH DRIVE 2020 & ON	1				
OR	HHAI08005	HOSE LH DRIVE UPTO 2020 (INC PB8X5201188, 194 & 290)	1				
OR	HHAI06105	HOSE RH DRIVE	1				
3	HHAF27005	HOSE (VFRT)	1				
OR	HHAF20405	HOSE (TELE)	1				
					KIT-08395A HYD	HC1600 LH HEAD MOTOR HYD FOR VFRT	
					KIT-08395B HYD	HC1600 RH HEAD MOTOR HYD FOR VFRT	
					KIT-08395C HYD	HC1600 LH HEAD MOTOR HYD FOR TELE	
					KIT-08395D HYD	HC1600 RH HEAD MOTOR HYD FOR TELE	



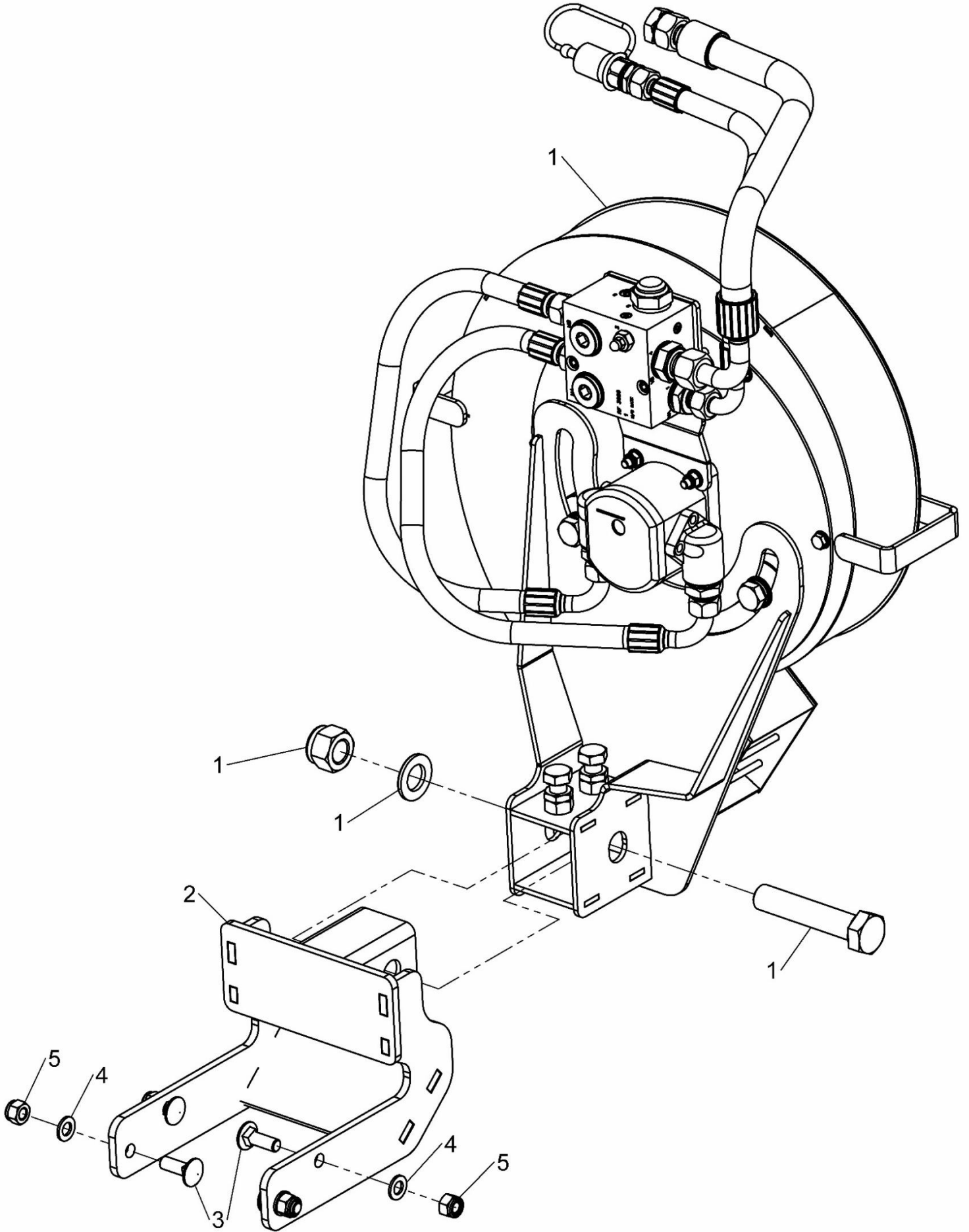
KIT-08393  
KIT-08395



DRAWING SHOWS LH DRIVE HEAD SET UP

**Shelbourne Reynolds Engineering Limited**

ASSY NUMBER: KIT-08401				ASSY DESCRIPTION: HD TRIMMER BLOWER KIT For 6000, 7000, HD800 & 8000			
ITEM	PART NO	DESCRIPTION	QTY	ITEM	PART NO	DESCRIPTION	QTY
1	KIT-08352	SUB ASSY TRIMMER BLOWER KIT	1				
2	804563 01	LIGHTING BOARD MTG W/A	1				
3	BLTF12233	COACHBOLT	4				
4	WSH-0018	WASHER	4				
5	NUT-0269	NYLOC NUT	4				

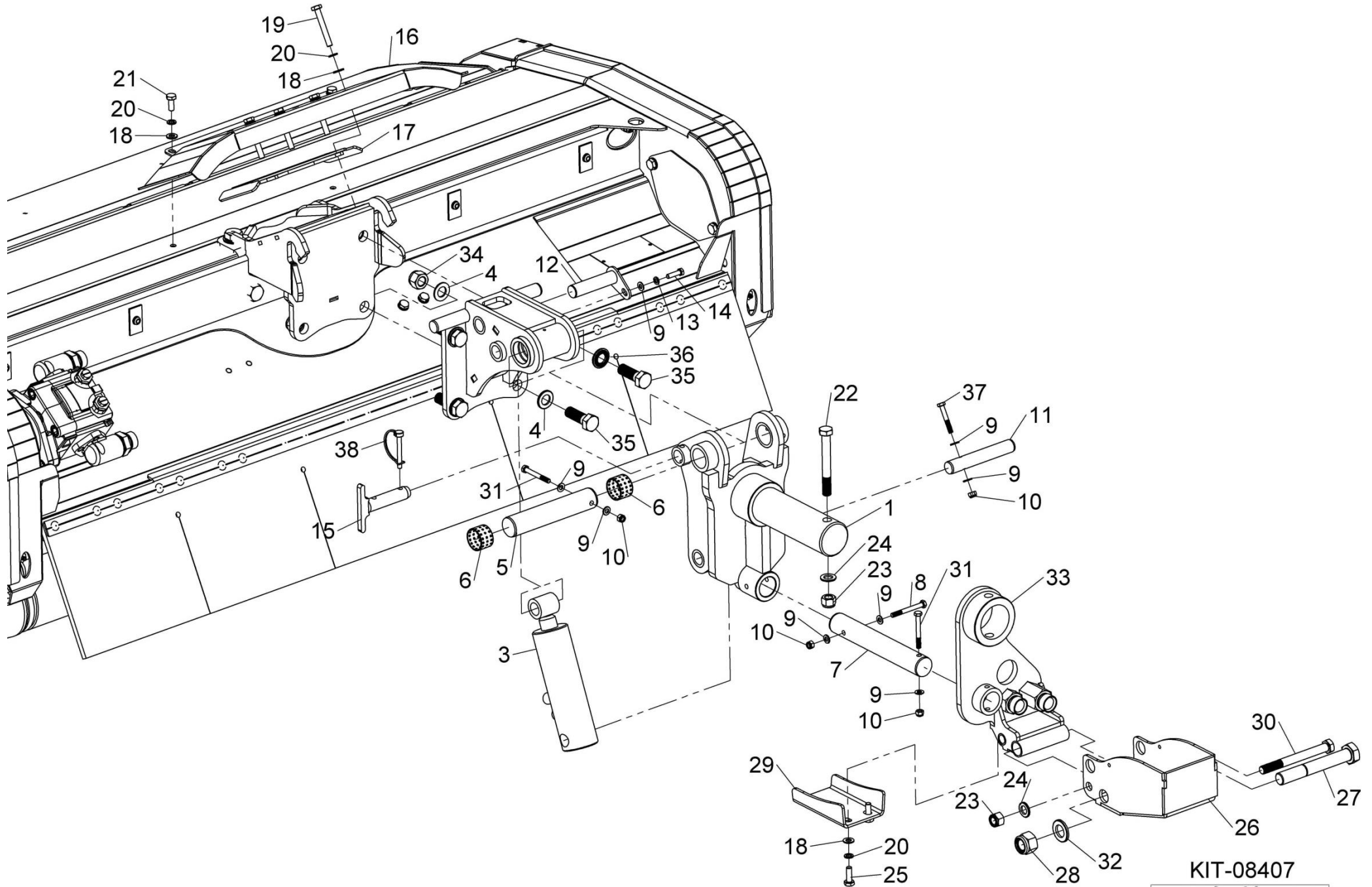


KIT-08401



**Shelbourne Reynolds Engineering Limited**

ASSY NUMBER: KIT-08407				ASSY DESCRIPTION: HC NARROW LANE BRACKET FOR HD800/8000			
ITEM	PART NO	DESCRIPTION	QTY	ITEM	PART NO	DESCRIPTION	QTY
1	806324 01	NARROW LANE MOUNT W/A	1				
2	806389 01	NARROW HEAD MOUNT W/A	1				
3	806326 01	RAM	1				
4	WSH-0030	WASHER	4				
5	802839 10	PIN	1				
6	BSHO04056	BUSH	2				
7	805925 01	PIN	1				
8	BLTA08470	BOLT	1				
9	WSH-0012	WASHER	8				
10	NUT-0263	NYLOC NUT	4				
11	800987 07	PIN	1				
12	806338 01	LOCKING PIN W/A	1				
13	WSH-0058	SPRING WASHER	1				
14	HSS-0150	BOLT	1				
15	805388 01	LOCKING PIN W/A	1				
16	806394 01	HOSE GUARD W/A	1				
17	806391 01	HOSE GUIDE W/A	1				
18	WSH-0015	WASHER	8				
19	BLTA10470	BOLT	4				
20	WSH-0061	SPRING WASHER	8				
21	HSS-0191	BOLT	2				
22	BLT-2334	BOLT	1				
23	NUT-0271	NYLOC NUT	2				
24	WSH-0024	WASHER	2				
25	HSS-0194	BOLT	2				
26	806109 01	PIVOT SHOE FOOT	1				
27	BLTA24760	BOLT	1				
28	NUT-0275	NYLOC NUT	1				
29	803629 01	GUARD PLATE	1				
30	BLTA16740	BOLT	1				
31	BLTA08440	BOLT	2				
32	WSH-0036	WASHER	1				
33	803630 01	HYDRAULIC GUARD MOUNT W/A	1				
34	NUTA02200	NYLOC NUT	2				
35	BLT-2366	BOLT	4				
36	WSHA30201	LOCKWASHER	6				
37	BLTA08350	BOLT	1				
38	PIN-1720	SNAPPER PIN	1				
39	HSSA20290	BOLT	4				

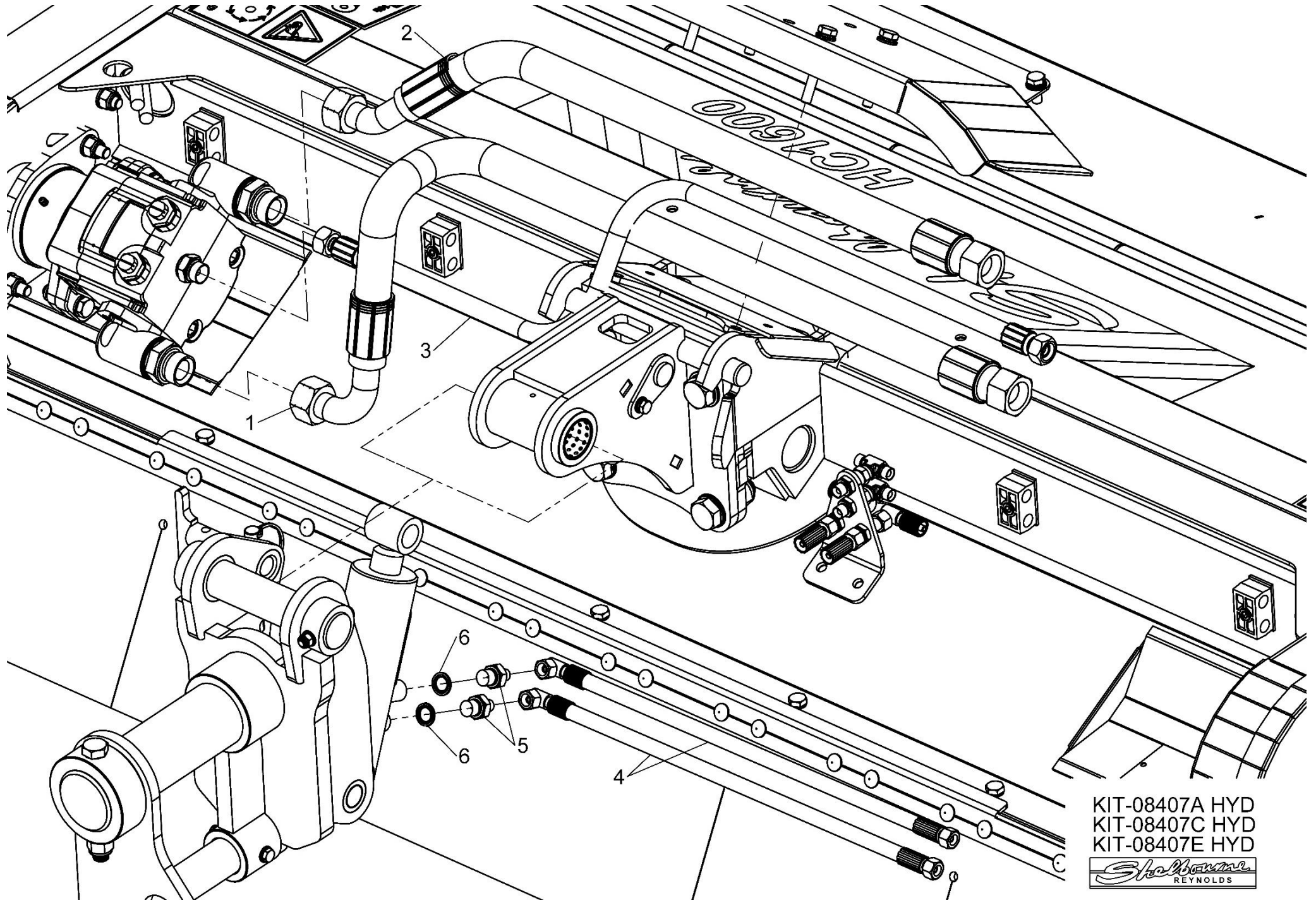


**KIT-08407**  
*Shelbourne*  
REYNOLDS

**Shelbourne Reynolds Engineering Limited**

ASSY NUMBER: KIT-08407A HYD				ASSY DESCRIPTION: HC1200 HEAD MOTOR HYD KIT (NLB BRKT FOR 6000, 7060T, 7056, 800 & 8000 Tele)			
ITEM	PART NO	DESCRIPTION	QTY	ITEM	PART NO	DESCRIPTION	QTY
1	HHBI17905	HYD HOSE ASSY	1				
2	HHDI16705	HYD HOSE ASSY	1				
3	HHBF30005	HYD HOSE ASSY	1				
4	HHCC17505	HYD HOSE ASSY	2				
5	HAPAA0303	RESTRICTOR FITT	2				
6	WSH-1005	DOWTY WASHER	2				

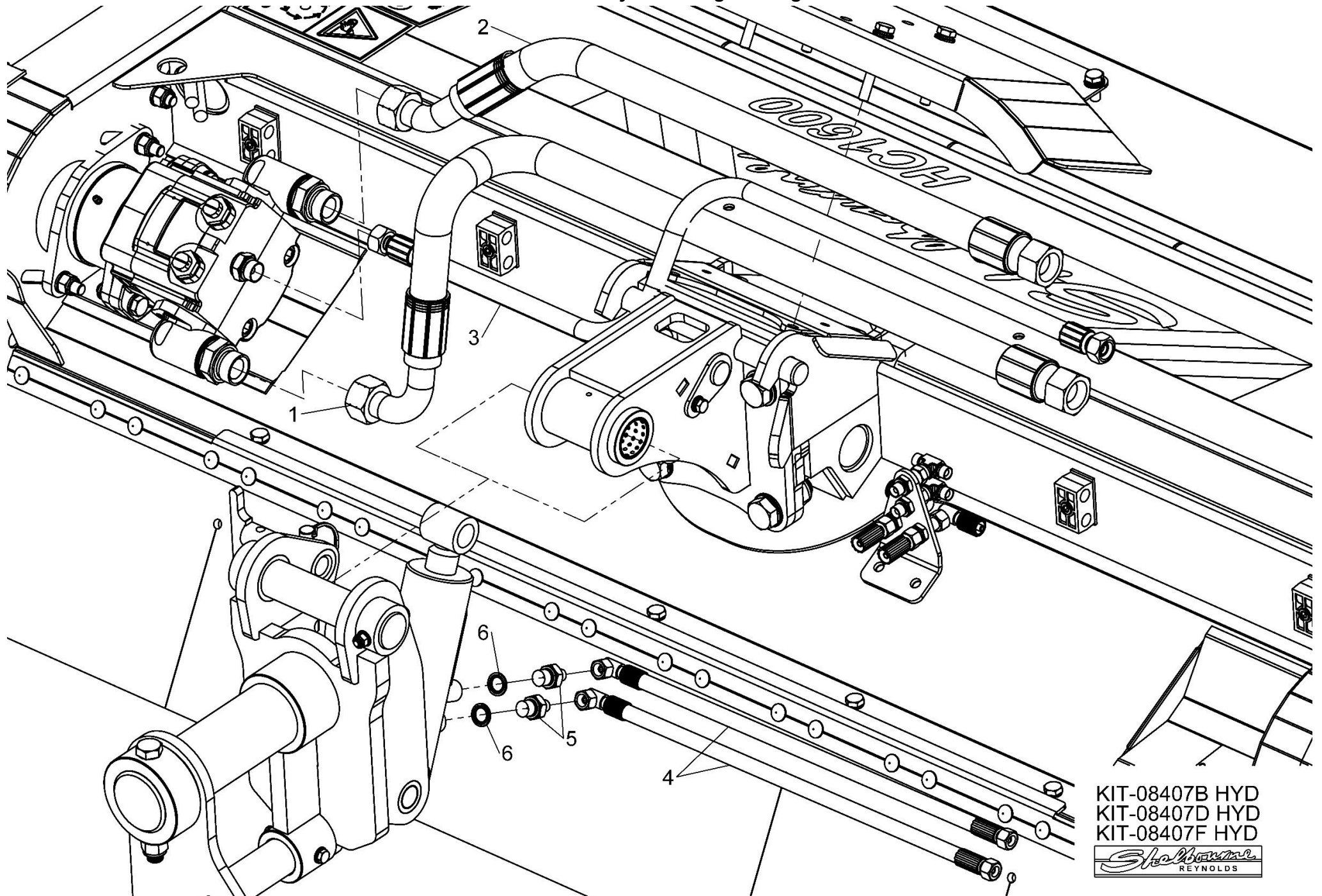




KIT-08407A HYD  
KIT-08407C HYD  
KIT-08407E HYD  
*Shelbourne*  
REYNOLDS

**Shelbourne Reynolds Engineering Limited**

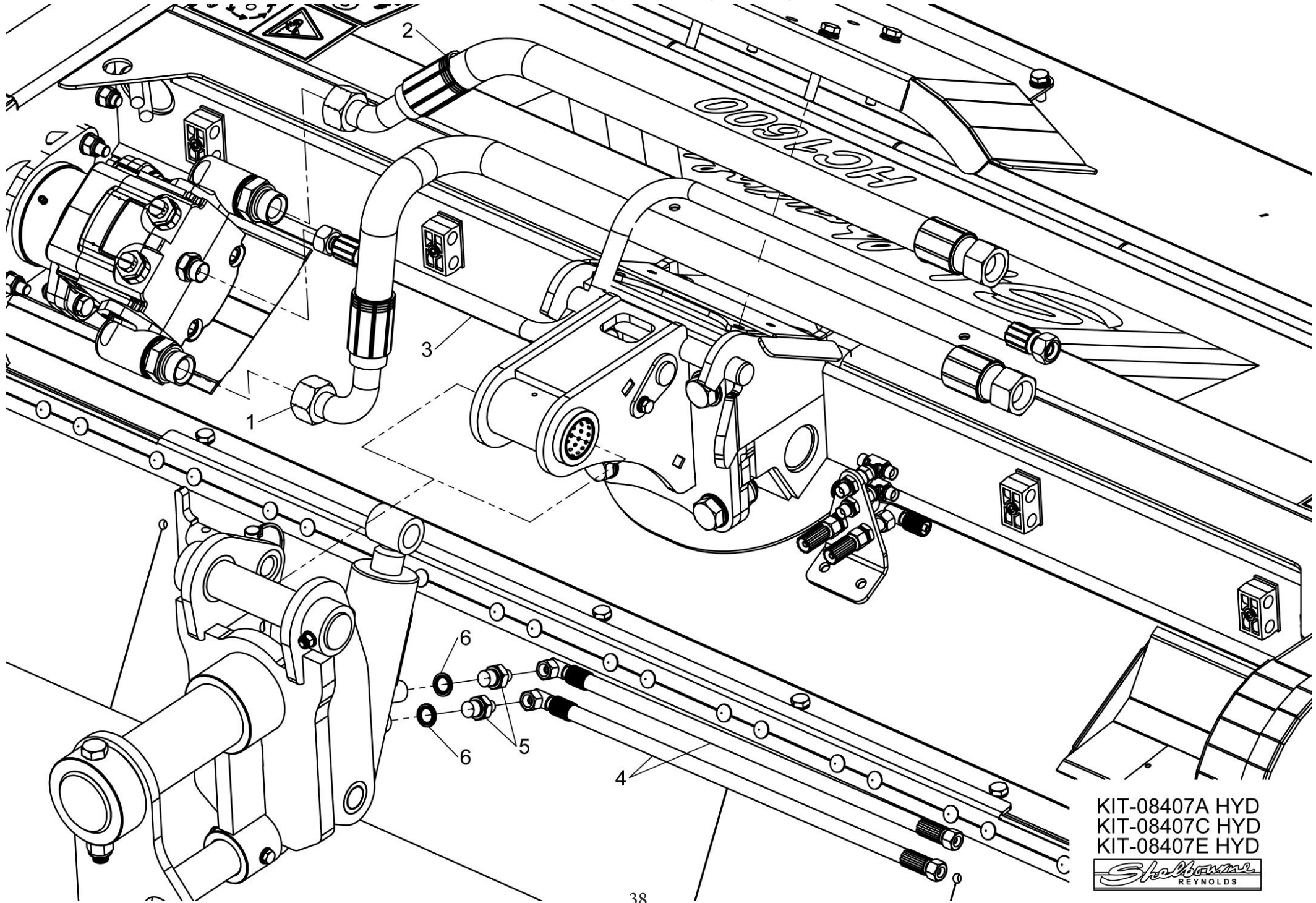
ASSY NUMBER: KIT-08407B HYD				ASSY DESCRIPTION: HC1600 HEAD MOTOR HYD KIT (NL BRKT FOR 7060T, 7056, 800 & 8000 Tele)			
ITEM	PART NO	DESCRIPTION	QTY	ITEM	PART NO	DESCRIPTION	QTY
1	HHDI21005	HYD HOSE ASSY	1				
2	HHAI21205	HYD HOSE ASSY	1				
3	HHAF35605	HYD HOSE ASSY	1				
4	HHCC20005	HYD HOSE ASSY	2				
5	HAPAA0303	RESTRICTOR FITT	2				
6	WSH-1005	DOWTY WASHER	2				



KIT-08407B HYD  
KIT-08407D HYD  
KIT-08407F HYD  
*Shelbourne*  
REYNOLDS

**Shelbourne Reynolds Engineering Limited**

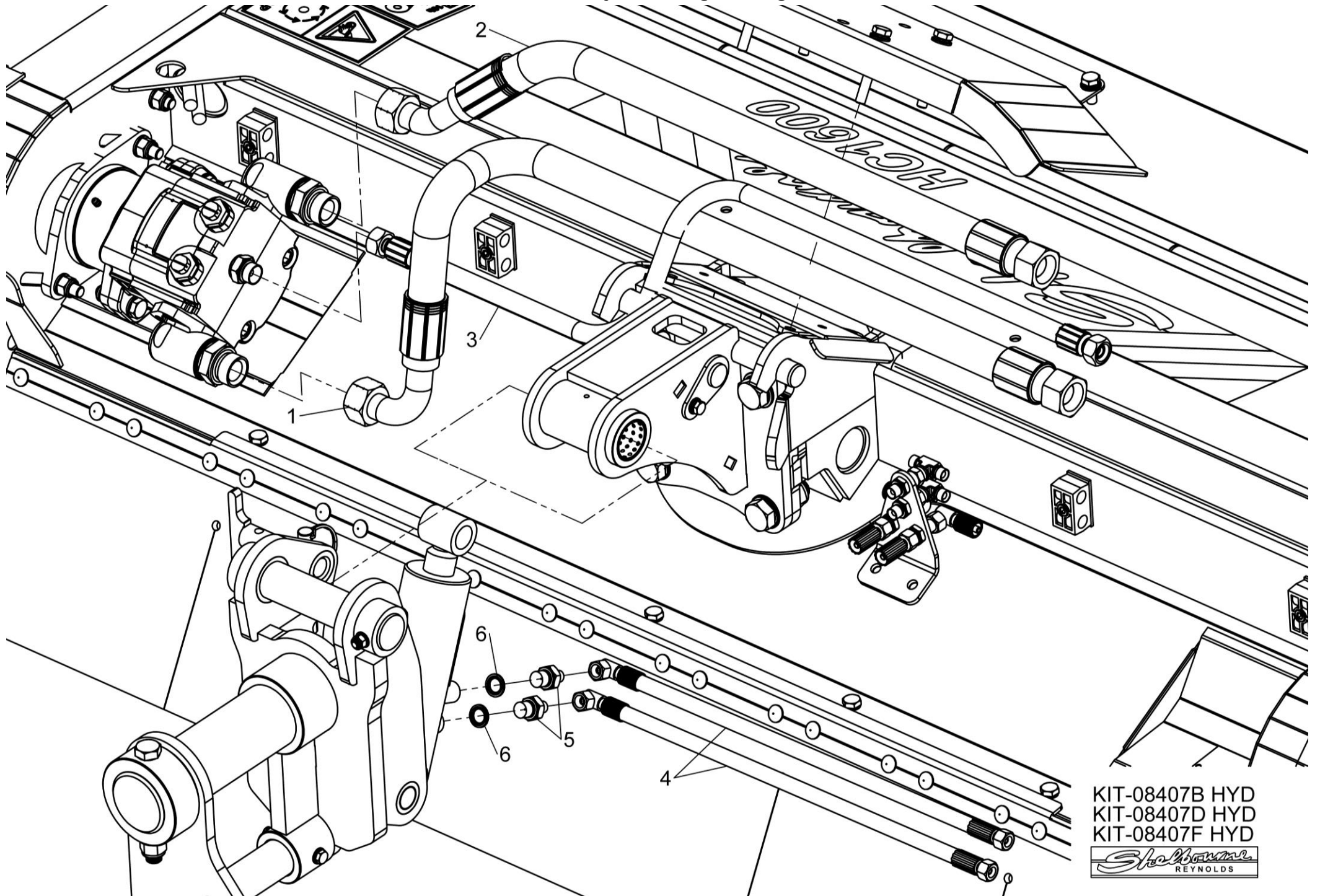
ASSY NUMBER: KIT-08407C HYD				ASSY DESCRIPTION: HC1200 HEAD MOTOR HYD KIT (NLB FOR 800 & 8000 VFRT)			
ITEM	PART NO	DESCRIPTION	QTY	ITEM	PART NO	DESCRIPTION	QTY
1	HHBI17905	HYD HOSE ASSY	1				
2	HHDI16705	HYD HOSE ASSY	1				
3	HHBF37605	HYD HOSE ASSY	1				
4	HHCC23505	HYD HOSE ASSY	2				
5	HAPAA0303	RESTRICTOR FITT	2				
6	WSH-1005	DOWTY WASHER	2				



KIT-08407A HYD  
KIT-08407C HYD  
KIT-08407E HYD  
*Shelbourne*  
REYNOLDS

**Shelbourne Reynolds Engineering Limited**

ASSY NUMBER: KIT-08407D HYD				ASSY DESCRIPTION: HC1600 HEAD MOTOR HYD KIT (NLB FOR 800 & 8000 VFRT)			
ITEM	PART NO	DESCRIPTION	QTY	ITEM	PART NO	DESCRIPTION	QTY
1	HHDI21005	HYD HOSE ASSY	1				
2	HHAI21205	HYD HOSE ASSY	1				
3	HHAF40605	HYD HOSE ASSY	1				
4	HHCC25005	HYD HOSE ASSY	2				
5	HAPAA0303	RESTRICTOR FITTING	2				
6	WSH-1005	DOWTY WASHER	2				

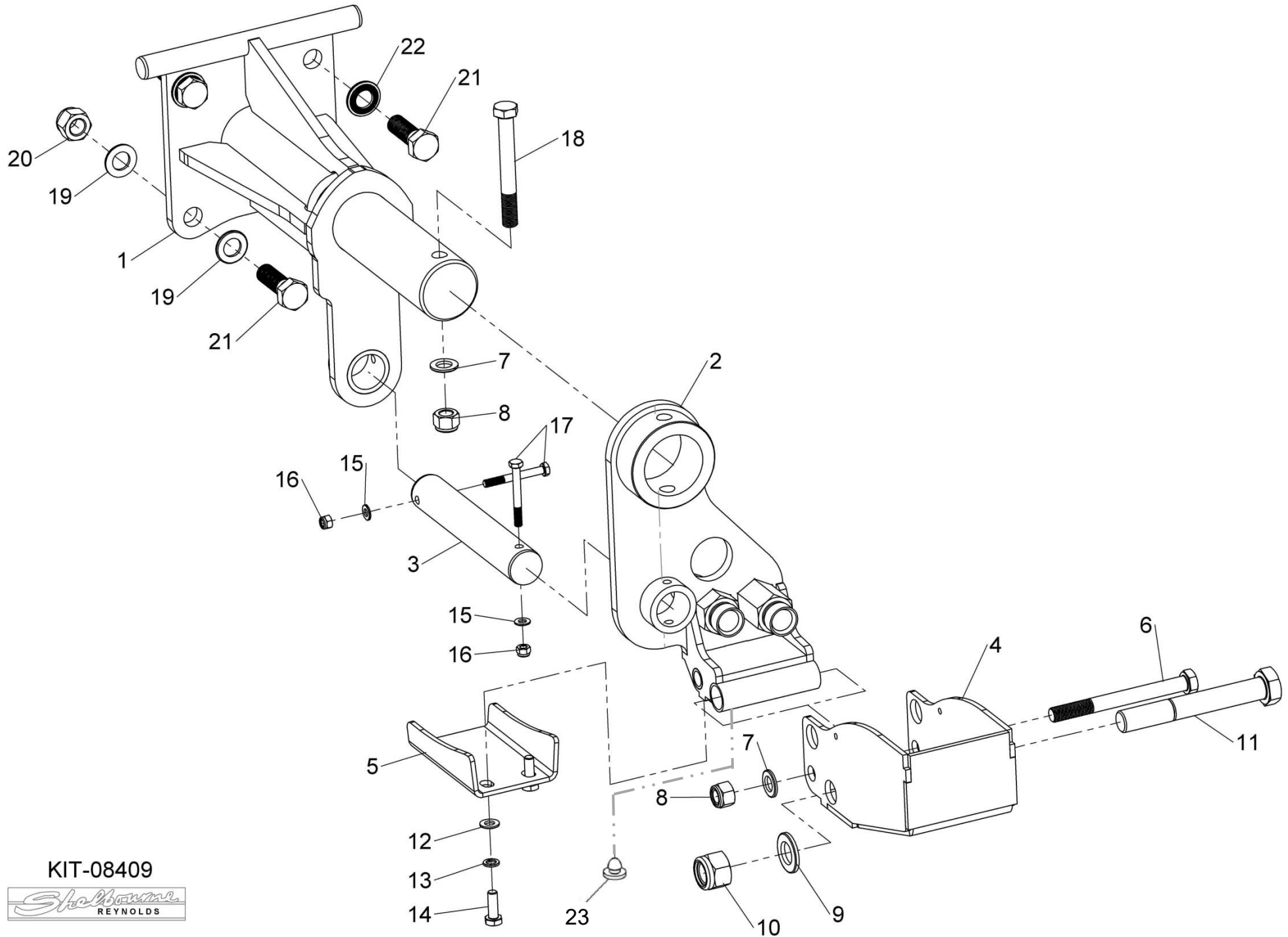


KIT-08407B HYD  
KIT-08407D HYD  
KIT-08407F HYD  
*Shelbourne*  
REYNOLDS

**Shelbourne Reynolds Engineering Limited**

ASSY NUMBER: KIT-08409				ASSY DESCRIPTION: HOOK MOUNTING KIT (HD800/8000)			
ITEM	PART NO	DESCRIPTION	QTY	ITEM	PART NO	DESCRIPTION	QTY
1	806345 01	HEAD MOUNT W/A	1				
2	803630 01	HYDRAULIC GUARD MOUNT W/A	1				
3	802839 08	PIN	1				
4	806109 01	HC PIVOT SHOE FOOT	1		KIT-08409 -	HC HOOK MTG KIT	
OR	803628 01	GP PIVOT SHOE FOOT W/A	1		KIT-08409A -	GP HOOK MTG KIT	
5	803629 01	GUARD PLATE	1				
6	BLTA16740	BOLT	1				
7	WSH-0024	WASHER	2				
8	NUT-0271	NYLOC NUT	2				
9	WSH-0036	WASHER	1				
10	NUT-0275	NYLOC NUT	1				
11	BLTA24760	BOLT	1				
12	WSH-0015	WASHER	2				
13	WSH-0061	SPRING WASHER	2				
14	HSS-0194	BOLT	2				
15	WSH-0012	WASHER	2				
16	NUT-0263	NYLOC NUT	2				
17	BLTA08440	BOLT	2				
18	BLT-2334	BOLT	1				
19	WSH-0030	WASHER	4				
20	NUTA02200	NYLOC NUT	2				
21	BLT-2366	BOLT	4				
22	WSHA30201	LOCKWASHER	2				
23	RUB-0330	RUBBER GROMMET	2				



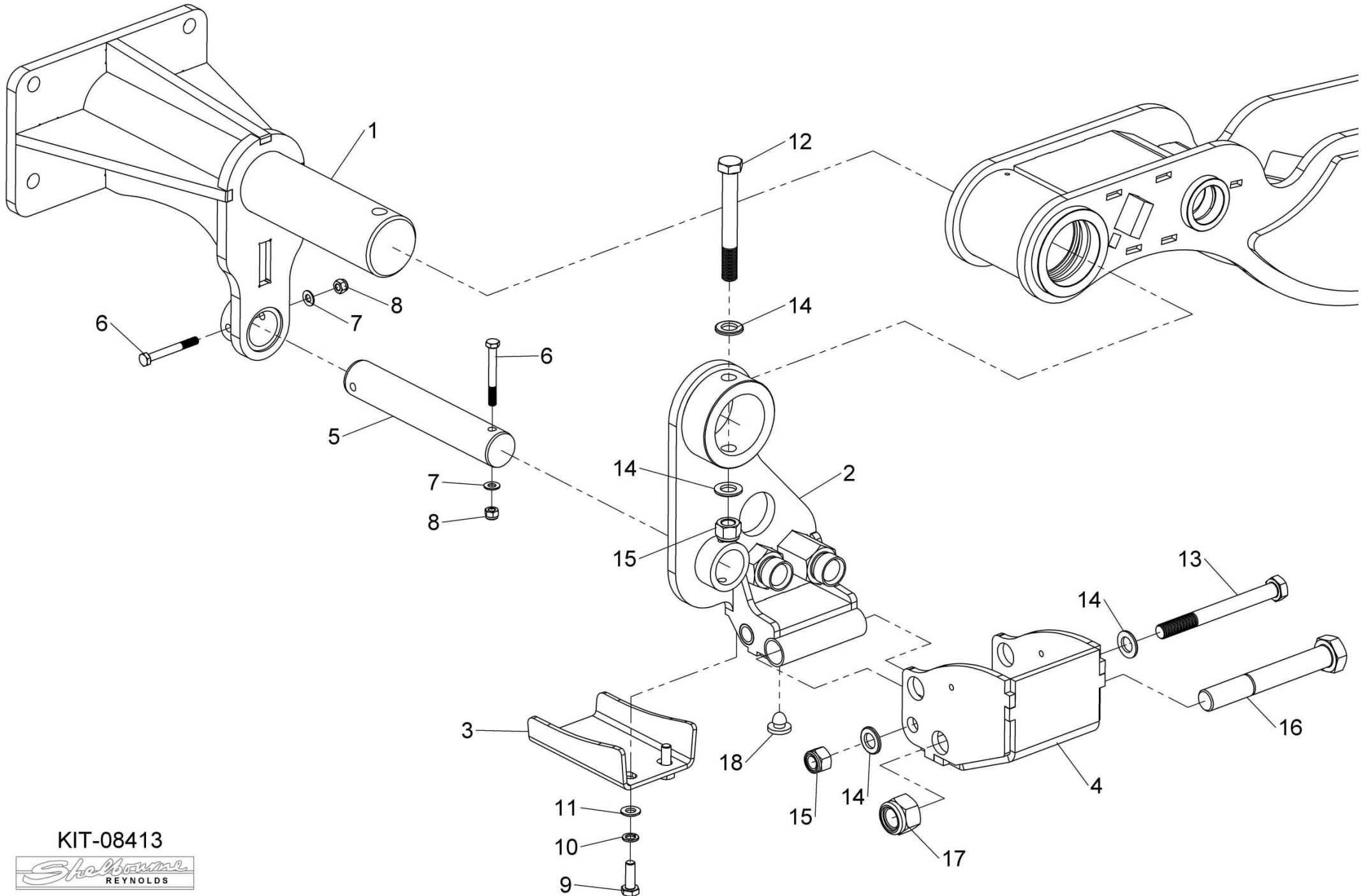


KIT-08409



**Shelbourne Reynolds Engineering Limited**

ASSY NUMBER: KIT-08413				ASSY DESCRIPTION: HD HEAD PIVOT SHOE KIT (HD800/8000)			
ITEM	PART NO	DESCRIPTION	QTY	ITEM	PART NO	DESCRIPTION	QTY
1	803648 01	HEAD MOUNT	1				
2	803630 01	HYDRAULIC MOUNT	1				
3	803629 01	GUARD PLATE	1				
4	803628 01	PIVOT SHOE FOOT	1				
5	802839 08	PIN	1				
6	BLTA08440	BOLT	2				
7	WSH-0012	WASHER	2				
8	NUT-0263	NYLOC NUT	2				
9	HSS-0194	BOLT	2				
10	WSH-0061	SPRING WASHER	2				
11	WSH-0015	WASHER	2				
12	BLT-2334	BOLT	1				
13	BLTA16740	BOLT	1				
14	WSH-0024	WASHER	4				
15	NUT-0271	NYLOC NUT	2				
16	BLTA24760	BOLT	1				
17	NUT-0275	NYLOC NUT	1				
18	RUB-0330	RUBBER GROMMETS	2				

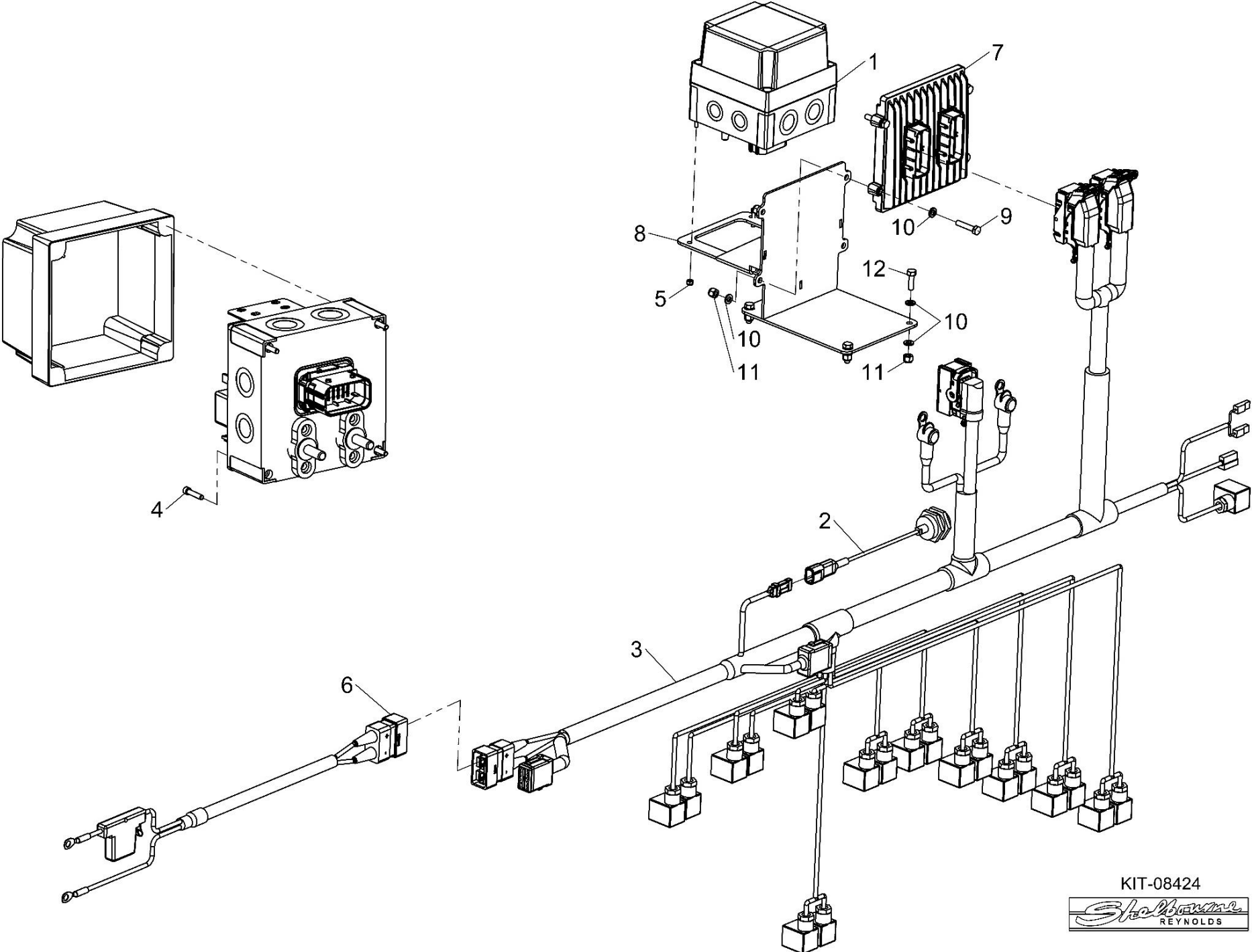


KIT-08413



**Shelbourne Reynolds Engineering Limited**

ASSY NUMBER: KIT-08424				ASSY DESCRIPTION: MACHINE END CONTROLS (S-Touch)			
ITEM	PART NO	DESCRIPTION	QTY	ITEM	PART NO	DESCRIPTION	QTY
1	806517 01	FUSE BOX	1				
2	806513 01	PROXIMITY SENSOR	1				
3	806507 01	MACHINE END LOOM	1				
4	SCW-0035	CAP HEAD SCREW	4				
5	NUT-0255	NYLOC NUT	4				
6	806511 01	POWER CONNECTION KIT	1				
7	806597 01	MAX MACHINE ECU	1				
OR	806738 01	COMPACT MACHINE ECU	1				
8	807315 01	ECU MOUNTING W/A	1				
9	HSS-0092	SETSCREW	4		KIT-08424	MACHINE END CONTROLS (S-Touch	
10	WSH-0009	WASHER	16			Max)	
11	NUT-0260	NYLOC NUT	8		KIT-08424A	MACHINE END CONTROLS (S-Touch	
12	HSS-0086	SETSCREW	4			Compact)	

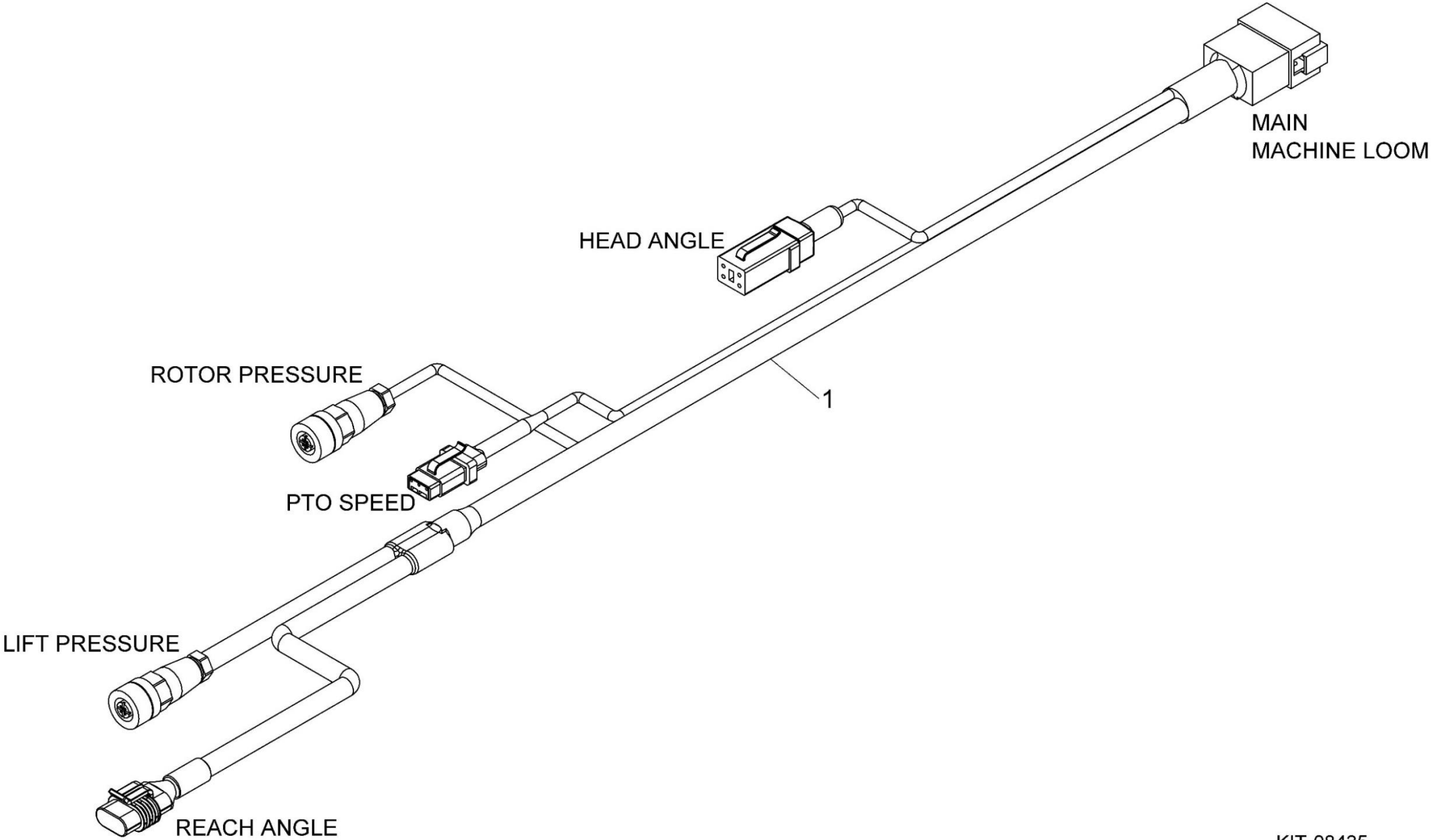


KIT-08424



**Shelbourne Reynolds Engineering Limited**

ASSY NUMBER: KIT-08435				ASSY DESCRIPTION: OPTIONS KIT (S-Touch)			
ITEM	PART NO	DESCRIPTION	QTY	ITEM	PART NO	DESCRIPTION	QTY
1	806509 01	OPTIONS LOOM	1				



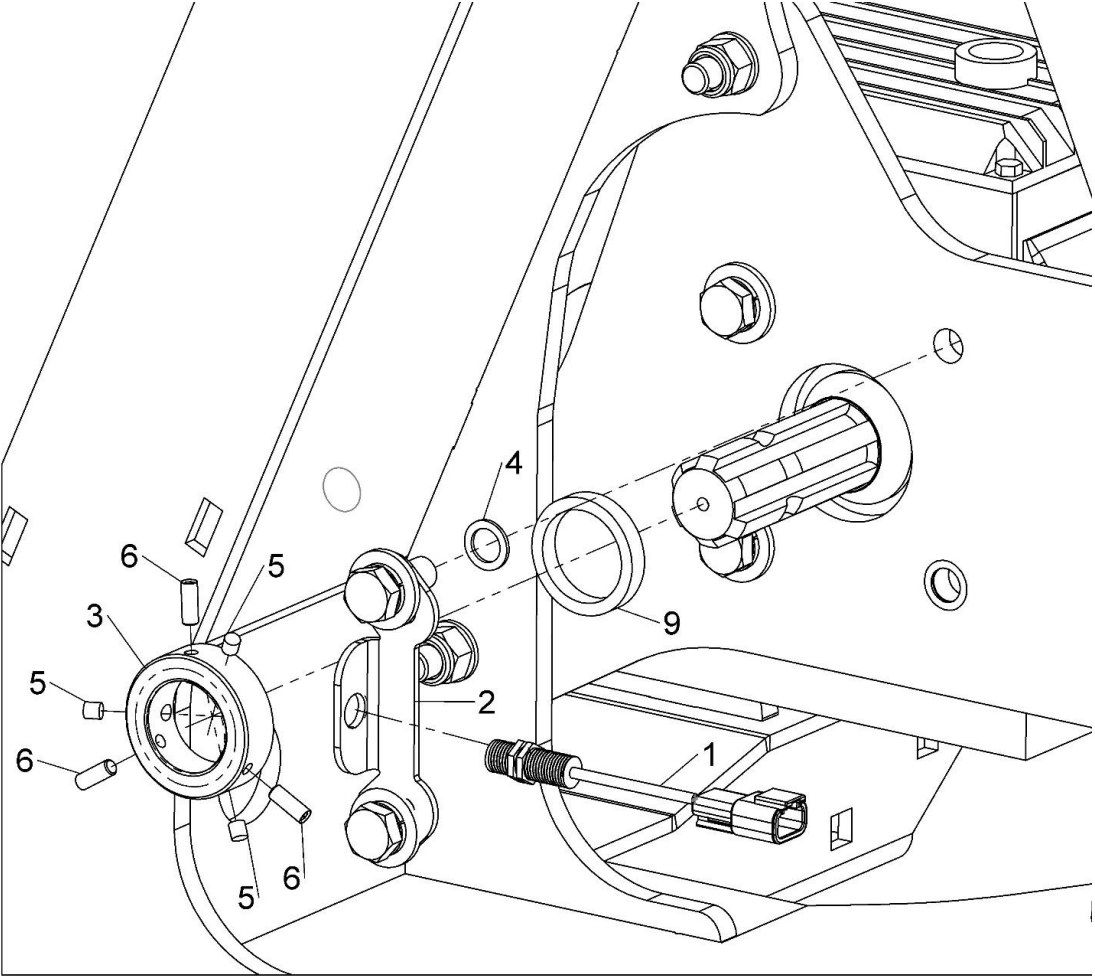
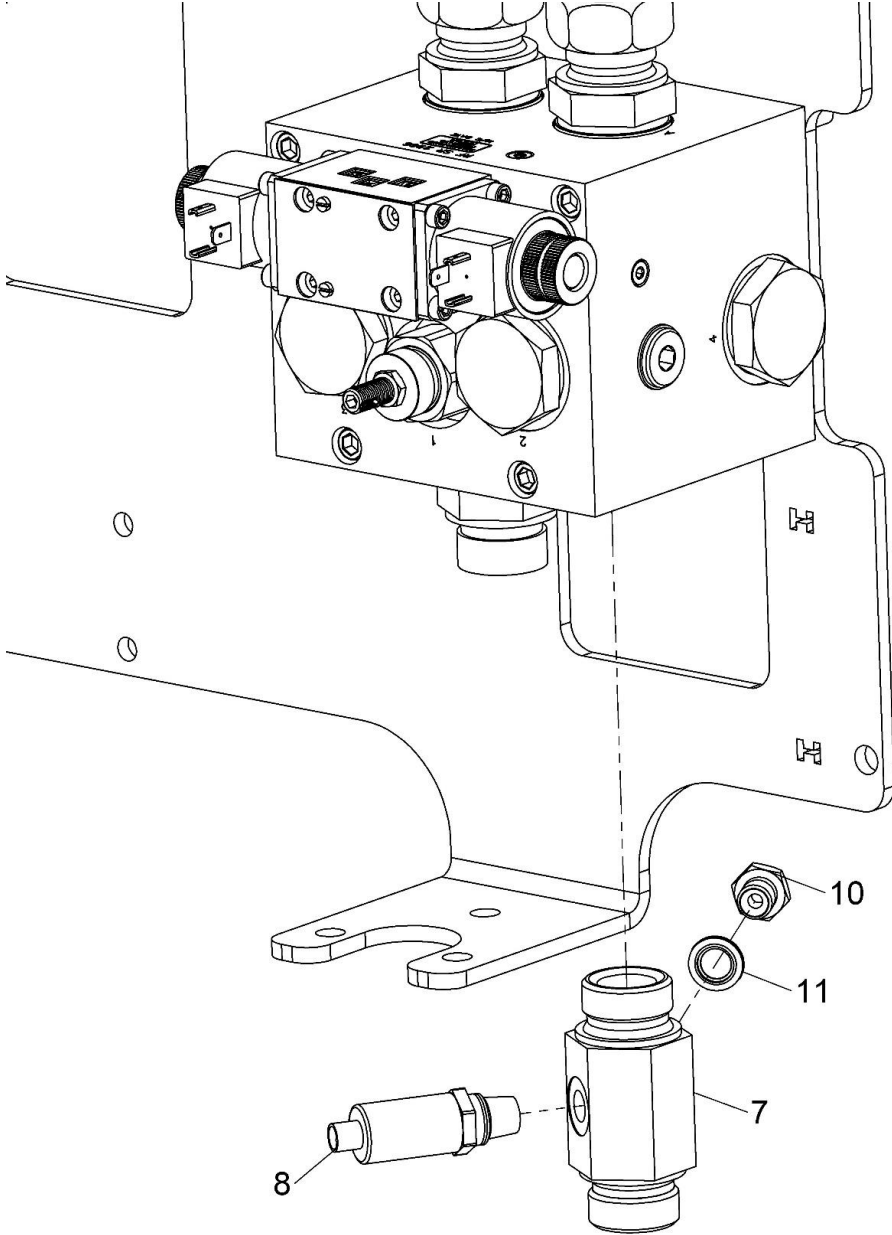
KIT-08435



**Shelbourne Reynolds Engineering Limited**

ASSY NUMBER: KIT-08436				ASSY DESCRIPTION: MACHINE MONITOR KIT (S-Touch)			
ITEM	PART NO	DESCRIPTION	QTY	ITEM	PART NO	DESCRIPTION	QTY
1	806518 01	SPEED SENSOR WITH PLUG	1				
2	807608 01	SPEED SENSOR BKT	1				
3	807607 01	SPEED SENSOR RING	1				
4	801206 01	GEARBOX SPACER	2				
5	MAG-0003	DISC MAGNET	3				
6	SCW-4531	GRUBSCREW	3				
7	801155 01	PUMP PRESSURE MTG	1				
8	PRT-25005	PRESSURE SENSOR	1				
9	190548 75	WASHER	1				
10	FITC00303	BLANKING PLUG	2				
11	WSH-1005	DOWTY WASHER	2				



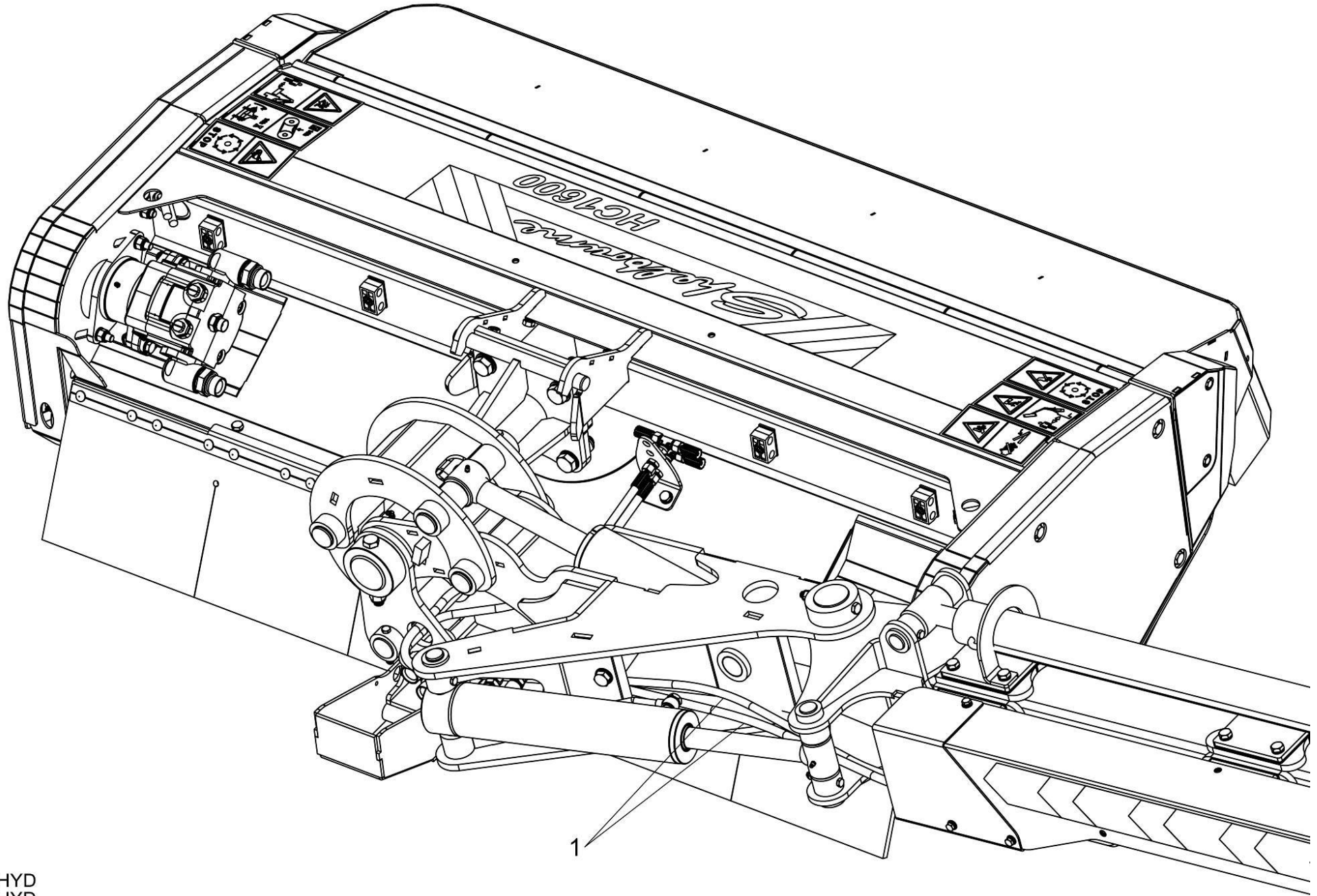


KIT-08436



**Shelbourne Reynolds Engineering Limited**

ASSY NUMBER: KIT-08448E HYD				ASSY DESCRIPTION: HEAD LINK HOSE KIT(HC & GP HEAD FOR 6 / 7 /8000 TELE)			
ITEM	PART NO	DESCRIPTION	QTY	ITEM	PART NO	DESCRIPTION	QTY
1	HHAC17505	HYD HOSE ASSY	2				

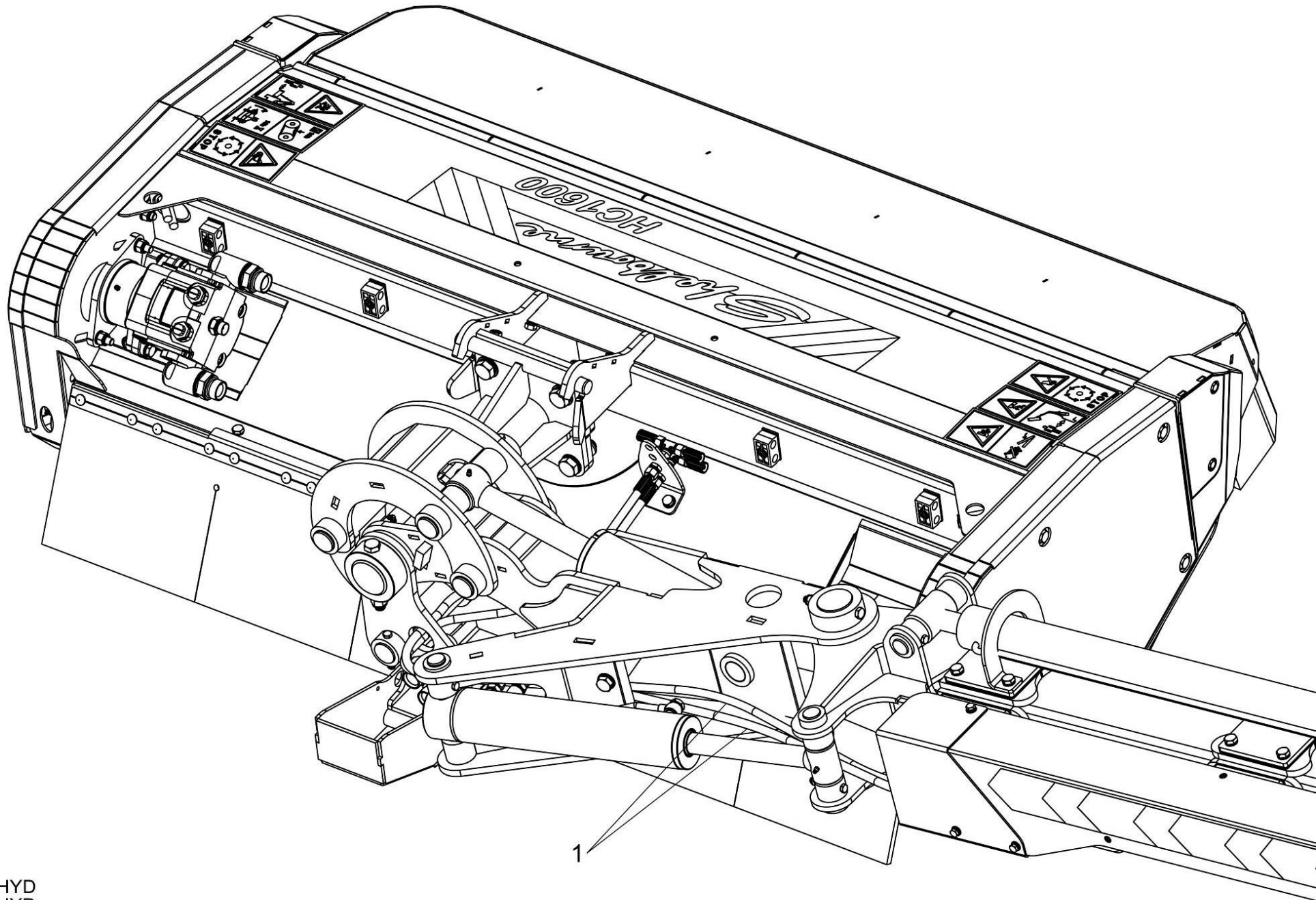


KIT-08448E HYD  
KIT-08448F HYD



**Shelbourne Reynolds Engineering Limited**

ASSY NUMBER: KIT-08448F HYD				ASSY DESCRIPTION: HEAD LINK HOSE KIT (HC HEAD FOR 800 & 8000 VERT)			
ITEM	PART NO	DESCRIPTION	QTY	ITEM	PART NO	DESCRIPTION	QTY
1	HHAC25105	HYD HOSE ASSY	2				

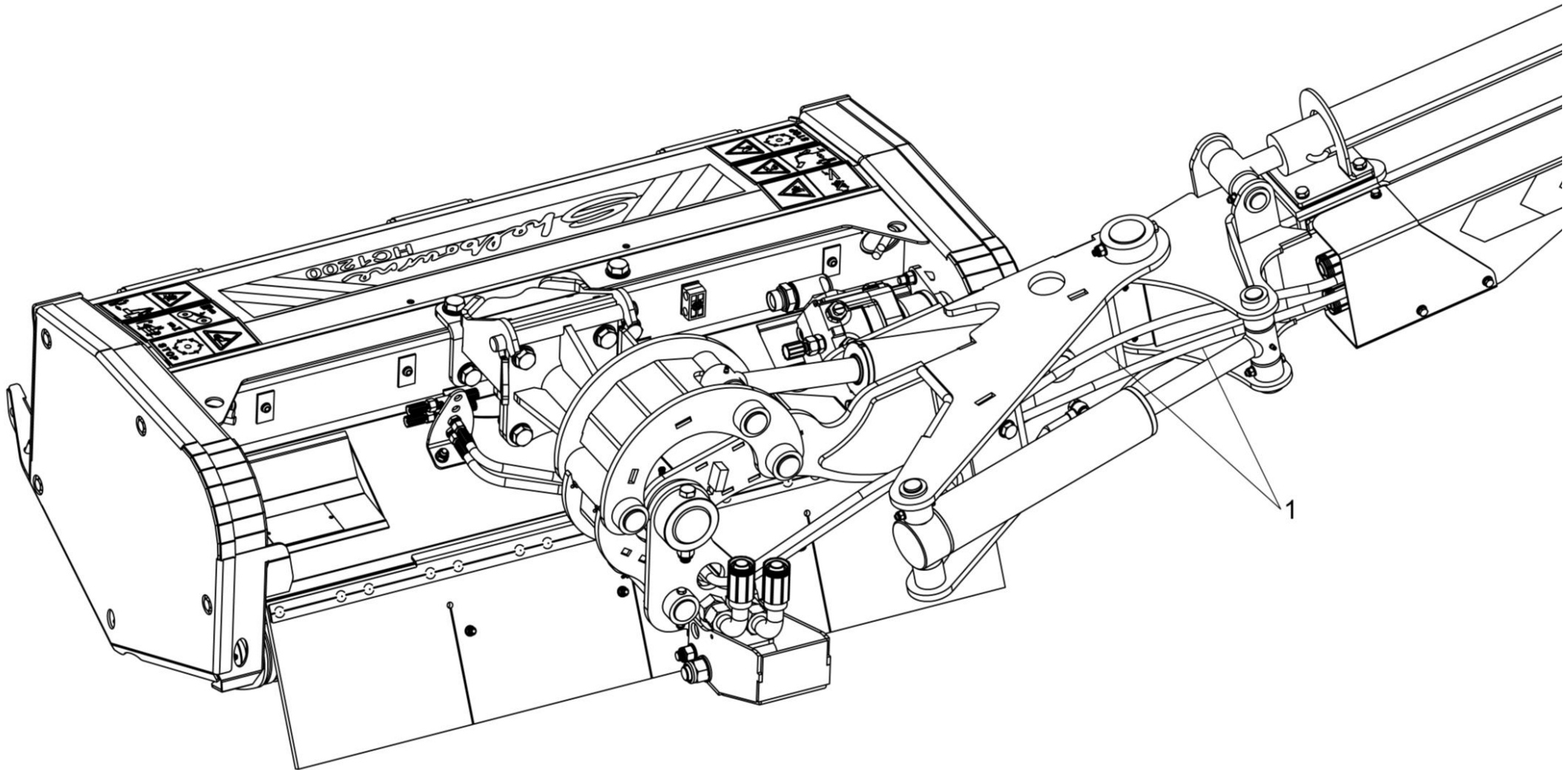


KIT-08448E HYD  
KIT-08448F HYD



**Shelbourne Reynolds Engineering Limited**

ASSY NUMBER: KIT-08448G HYD				ASSY DESCRIPTION: HEAD LINK HOSE KIT (RIGHT HAND HC HEAD FOR 800 & 8000 VFRT)			
ITEM	PART NO	DESCRIPTION	QTY	ITEM	PART NO	DESCRIPTION	QTY
1	HHAC26205	HYD HOSE ASSY	2				



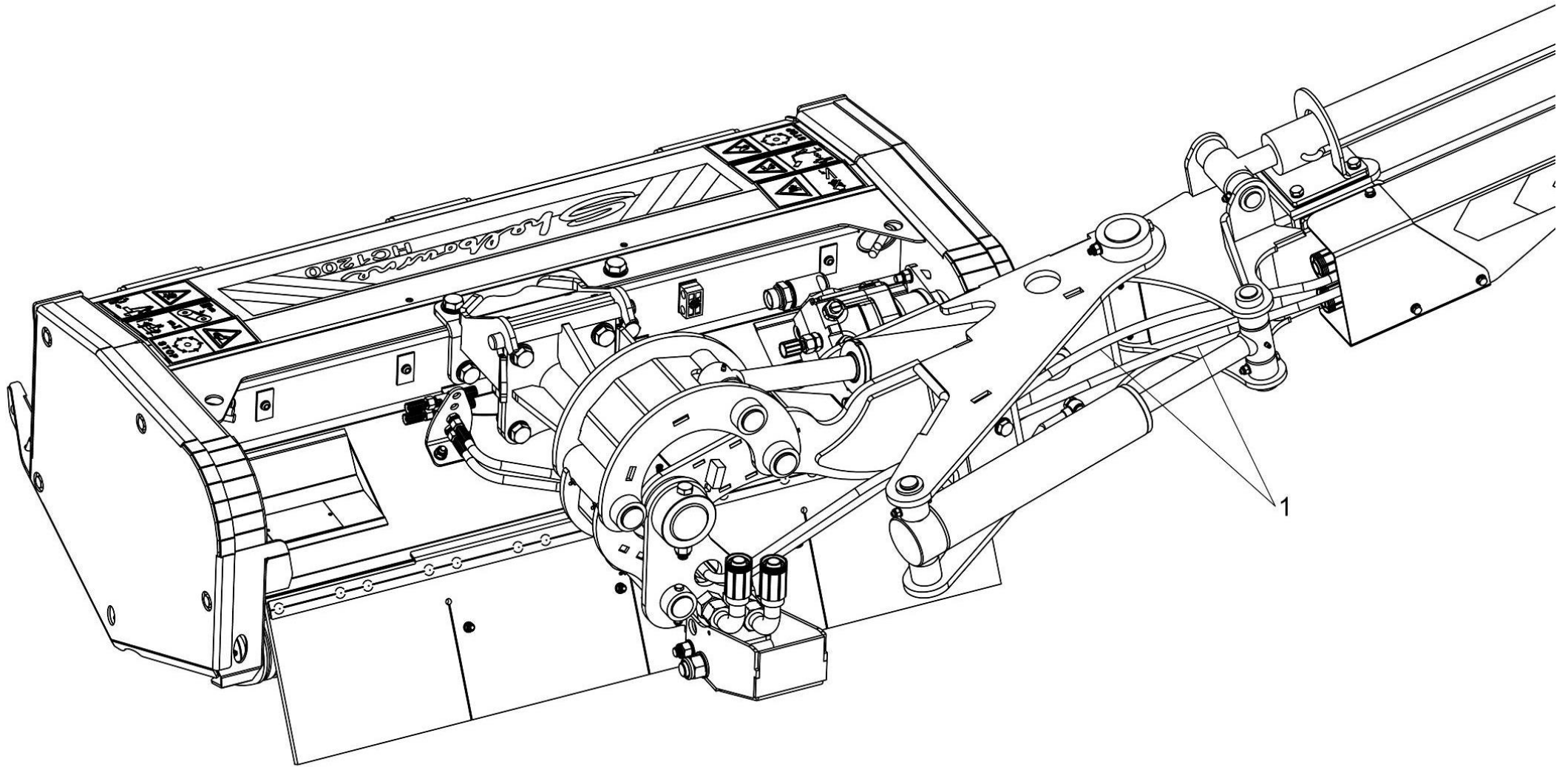
KIT-08448G HYD  
KIT-08448H HYD



**Shelbourne Reynolds Engineering Limited**

ASSY NUMBER: KIT-08448H HYD				ASSY DESCRIPTION: HEAD LINK HOSE KIT(7062 VFR & RIGHT HAND HC HEAD FOR 8000 TELE)			
ITEM	PART NO	DESCRIPTION	QTY	ITEM	PART NO	DESCRIPTION	QTY
1	HHAC21005	HYD HOSE ASSY	2				



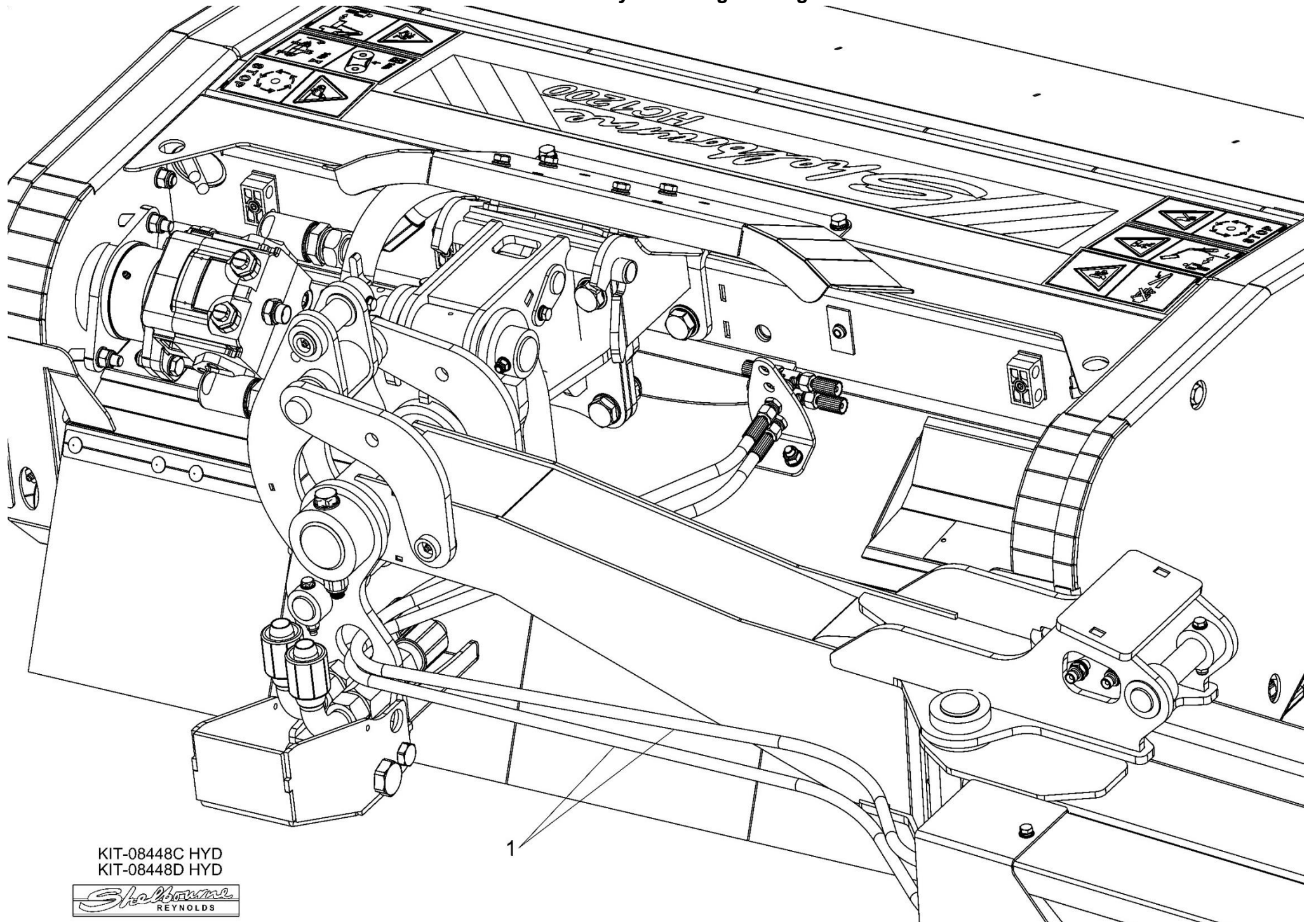


KIT-08448G HYD  
KIT-08448H HYD



**Shelbourne Reynolds Engineering Limited**

ASSY NUMBER: KIT-08448I HYD				ASSY DESCRIPTION: HEAD LINK HOSE KIT (NARROW LANE HEAD MOUNT FOR 8000 VFRT)			
ITEM	PART NO	DESCRIPTION	QTY	ITEM	PART NO	DESCRIPTION	QTY
1	HHCC29005	HYD HOSE ASSY	2				

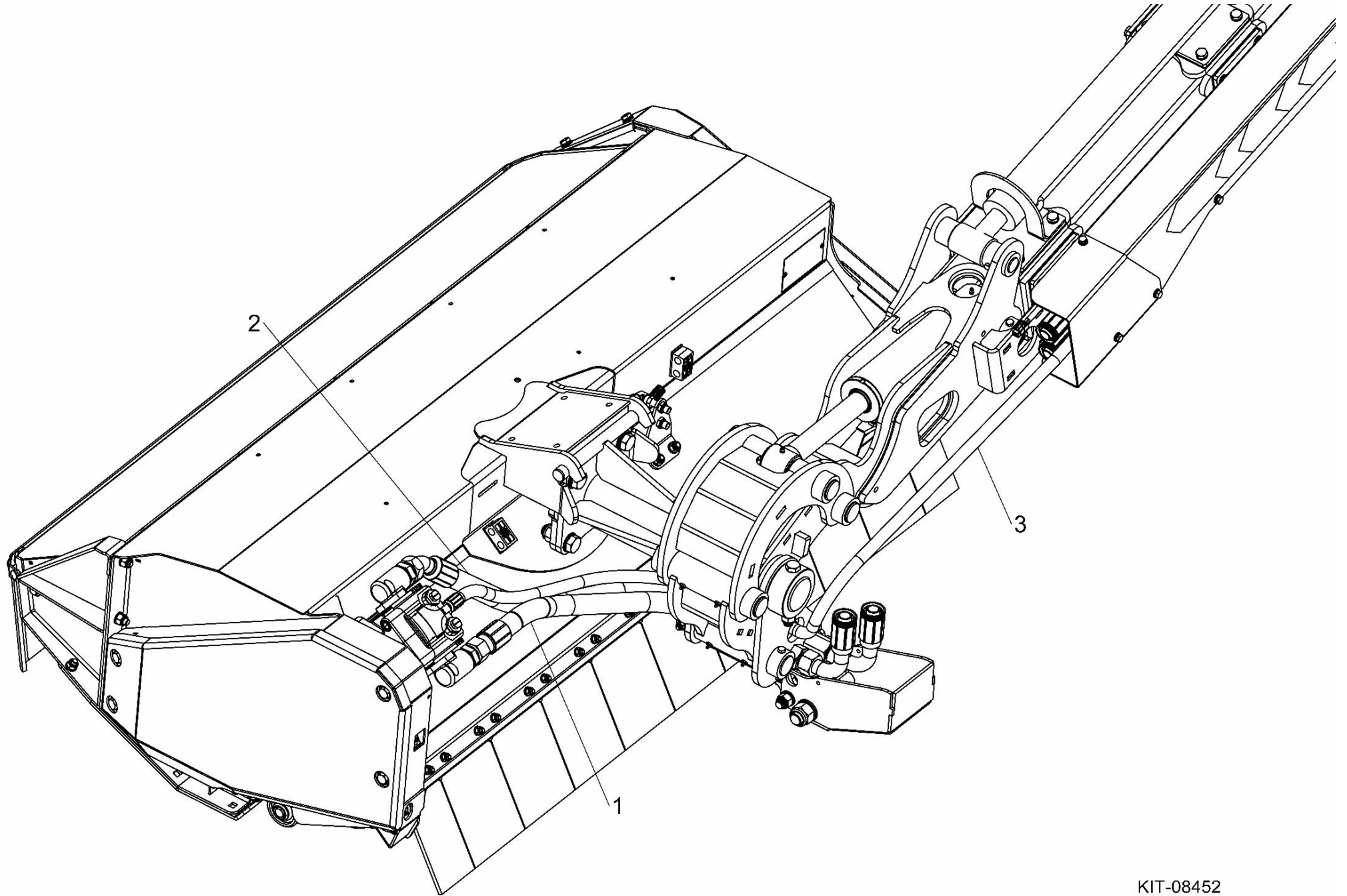


KIT-08448C HYD  
KIT-08448D HYD



**Shelbourne Reynolds Engineering Limited**

ASSY NUMBER: KIT-08452				ASSY DESCRIPTION: GP HEAD HYDRAULICS FOR 8000			
ITEM	PART NO	DESCRIPTION	QTY	ITEM	PART NO	DESCRIPTION	QTY
1	HHAI05105	HOSE (BOT HOSE) 1.2m	1				
OR	HHAI06705	HOSE (BOT HOSE) 1.5m	1				
2	HHDI06005	HOSE (TOP HOSE) 1.2m	1				
OR	HHDI07405	HOSE (TOP HOSE) 1.5m	1				
3	HHAF17605	HOSE 1.2m TELE	1				
OR	HHAF19105	HOSE 1.5m TELE	1				
OR	HHAF25005	HOSE 1.2m VFRT	1				
OR	HHAF27005	HOSE 1.5m VFRT	1				
					KIT-08452A HYD	GP1200 TELE STD MTG KIT	
					KIT-08452B HYD	GP1200 VFRT STD MTG KIT	
					KIT-08452C HYD	GP1500 TELE STD MTG KIT	
					KIT-08452D HYD	GP1500 VFRT STD MTG KIT	

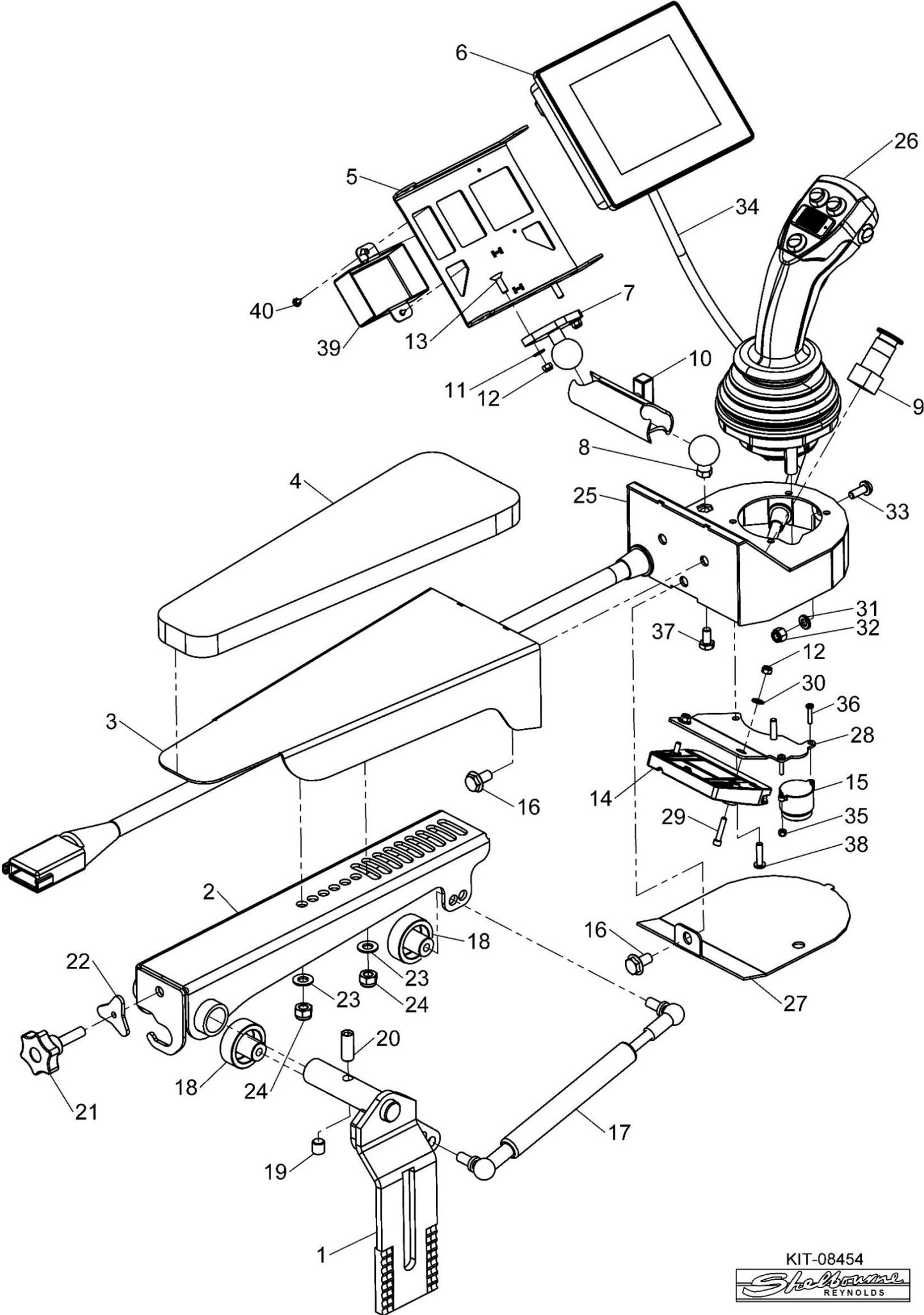


KIT-08452



**Shelbourne Reynolds Engineering Limited**

ASSY NUMBER: KIT-08454				ASSY DESCRIPTION: S-Touch Max ARMREST KIT (UPTO 2023)			
ITEM	PART NO	DESCRIPTION	QTY	ITEM	PART NO	DESCRIPTION	QTY
1	806261 01	ARMREST FIXED W/A	1				
2	806260 01	ARMREST MOVING W/A	1				
3	806646 01	ARMREST W/A	1				
4	802242 01	FOAM PAD	1				
5	806451 01	SCREEN MOUNT	1				
6	806596 01	TOUCHSCREEN MAX SOFTWARE	1				
7	LCL-01265	DIAMOND BASE WITH 1" BALL	1				
8	LCL-01263	RAM 1" RUBBER BALL	1				
9	806512 01	EMERGENCY STOP KIT	1				
10	LCL-01268	DOUBLE SOCKET 1"	1				
11	WSH-0006	WASHER	2				
12	NUT-0255	NYLOC NUT	4				
13	SCEA05110	COUNTERSINK SCREW	2				
14	ECS-11000	EXPANSION MODULE	1				
15	806520 01	BUZZER KIT	1				
16	HSSG08114	BOLT	3				
17	GSTA08209	GAS STRUT	1				
18	KNO-0003	KNURLED KNOB	2				
19	SCW-4590	GRUB SCREW	1				
20	SCGA10178	GRUB SCREW	1				
21	KNO-0002	PLASTIC KNOB	1				
22	801100 01	LOCKING PLATE	1				
23	WSH-0012	WASHER	2				
24	NUT-0263	NYLOC NUT	2				
25	806713 01	JOYSTICK BOX W/A	1				
26	806580 01	JOYSTICK	1				
27	806717 01	BOTTOM COVER	1				
28	806718 01	MOUNTING PLATE	1				
29	SCW-0035	CAP HEAD SCREW	2				
30	WSH-0003	WASHER	2				
31	WSH-0009	WASHER	1				
32	NUT-0260	NYLOC NUT	1				
33	SCW-4959	BUTTON HEAD SCREW	1				
34	806508 01	LOOM	1				
35	NUTA02030	NYLOC NUT	2				
36	SCFC03110	PAN HEAD SCREW	2				
37	HSS-1018	SETSCREW	1				
38	807147 01	PAN HEAD SCREW	2				
39	807197 01	WIRE COVER BOX	1				
40	SCFC10006	SELF TAPPING SCREW	2				



KIT-08454

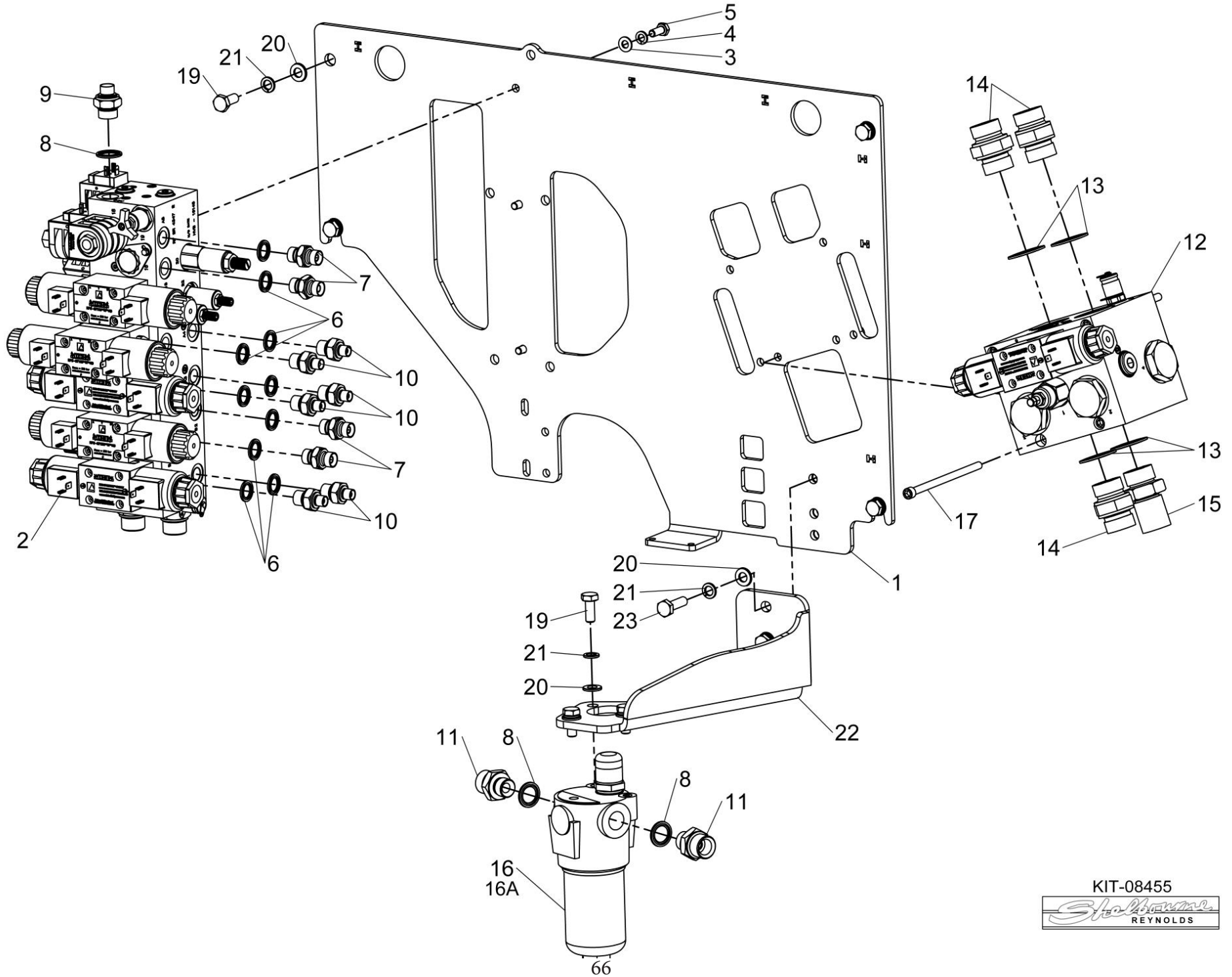


**Shelbourne Reynolds Engineering Limited**

ASSY NUMBER: KIT-08455				ASSY DESCRIPTION: VALVES KIT TELE (8000)			
ITEM	PART NO	DESCRIPTION	QTY	ITEM	PART NO	DESCRIPTION	QTY
1	807551 01	MAIN VALVE PLT T8075231752 & ON	1				
OR	806760 01	MAIN VALVE BKT UPTO T8075231752	1				
2	HVB-19190	VALVE BLK CYL T80X0221496 & ON	1				
OR	HVB-19145	VALVE BLK CYL UPTO T80X0221496	-				
3	WSH-0012	WASHER	7				
4	WSH-0058	SPRING WASHER	3				
5	HSS-0140	SETSCREW	3				
6	WSH-1010	DOWTY WASHER	10				
7	HMA-0057	ADAPTOR	4				
8	WSH-1015	DOWTY WASHER	5				
9	HMA-0065	ADAPTOR	1				
10	FIT-0025	ADAPTOR	6				
11	HMA-0060	ADAPTOR	4				
12	HVB-19120	MOTOR CONTROL VALVE	1				
13	WSH-1025	DOWTY WASHER	4				
14	FIT-0546	ADAPTOR	3				
15	HAGAA1313	BULKHEAD ADAPTOR	1				
16	FIL-0220A	IN-LINE PRESSURE FILTER	1				
16A	FIL-0230A	FILTER ELEMENT - REPLACEMENT	-				
17	SCCA08683	CAP HEAD SCREW	4				
18							
19	HSS-0191	SETSCREW	7				
20	WSH-0015	WASHER	10				
21	WSH-0061	SPRING WASHER	10				
22	807610 01	FILTER BRACKET T80XX231722 & ON	1				
OR	806921 01	FILTER BRACKET UPTO T80XX231722	1				
23	HSS-0198	SETSCREW	3				



Shelbourne Reynolds Engineering Limited

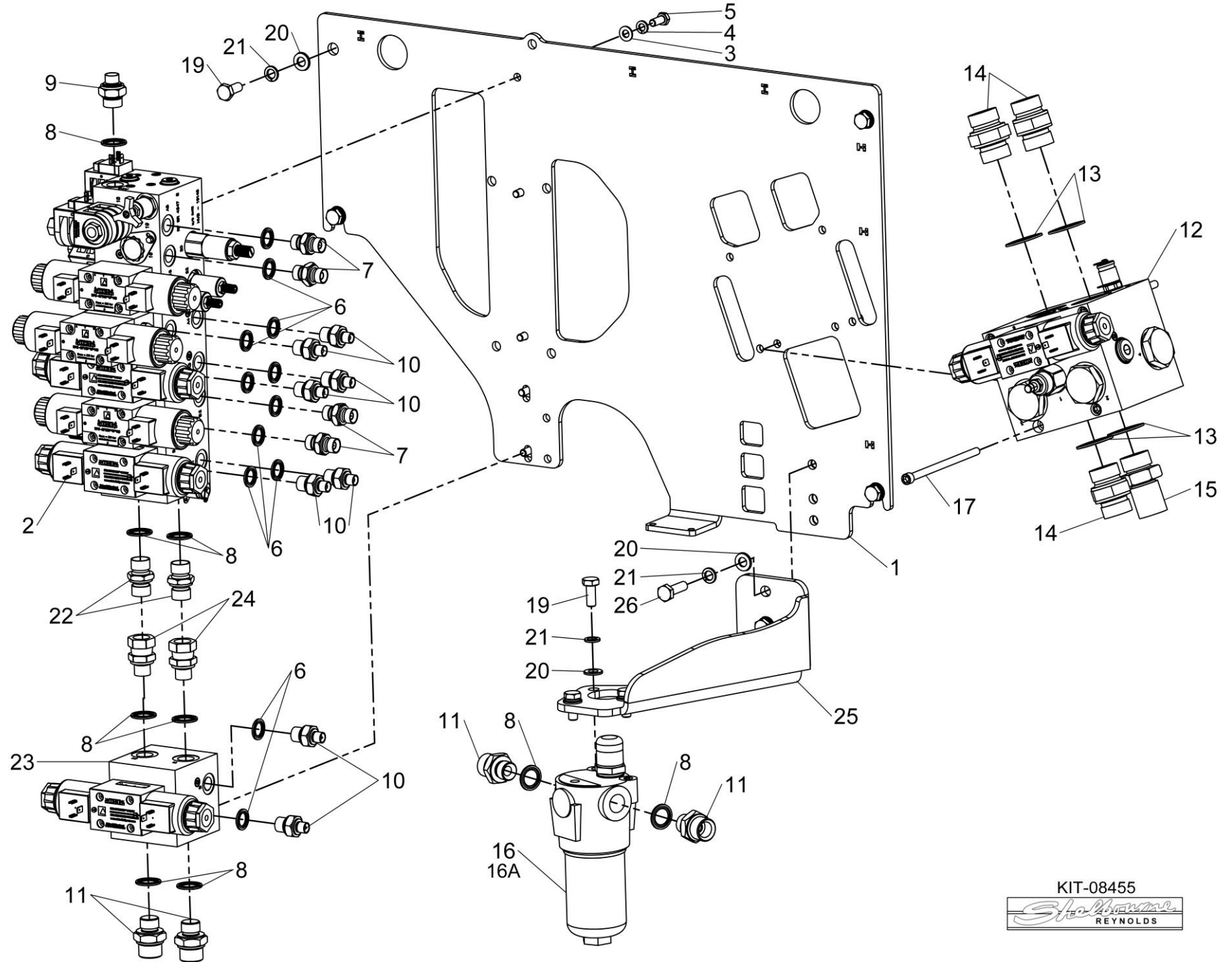


KIT-08455



**Shelbourne Reynolds Engineering Limited**

ASSY NUMBER: KIT-08455A				ASSY DESCRIPTION: VALVES KIT VFRT (8000)			
ITEM	PART NO	DESCRIPTION	QTY	ITEM	PART NO	DESCRIPTION	QTY
1	807551 01	MAIN VALVE PLT T8075231752 & ON	1				
OR	806760 01	MAIN VALVE BKT UPTO T8075231752	1				
2	HVB-19190	VALVE BLK CYL T80X5221475 & ON	1				
OR	HVB-19145	VALVE BLK CYL UPTO T80X5221475	-				
3	WSH-0012	WASHER	9				
4	WSH-0058	SPRING WASHER	5				
5	HSS-0140	SETSCREW	5				
6	WSH-1010	DOWTY WASHER	12				
7	HMA-0057	ADAPTOR	4				
8	WSH-1015	DOWTY WASHER	9				
9	HMA-0065	ADAPTOR	1				
10	FIT-0025	ADAPTOR	8				
11	HMA-0060	ADAPTOR	4				
12	HVB-19120	MOTOR CONTROL VALVE	1				
13	WSH-1025	DOWTY WASHER	4				
14	FIT-0546	ADAPTOR	3				
15	HAGAA1313	BULKHEAD ADAPTOR	1				
16	FIL-0220A	IN-LINE PRESSURE FILTER	1				
16A	FIL-0230A	FILTER ELEMENT - REPLACEMENT	-				
17	SCCA08683	CAP HEAD SCREW	4				
18							
19	HSS-0191	SETSCREW	7				
20	WSH-0015	WASHER	10				
21	WSH-0061	SPRING WASHER	10				
22	HMA-0067	ADAPTOR	2				
23	HVB-19155	VFRT CONTROL VALVE	1				
24	HMA-0115	ADAPTOR MALE/FEMALE	2				
25	807610 01	FILTER BRACKET T80XX231722 & ON	1				
OR	806921 01	FILTER BRACKET UPTO T80XX231722	1				
26	HSS-0198	SETSCREW	3				

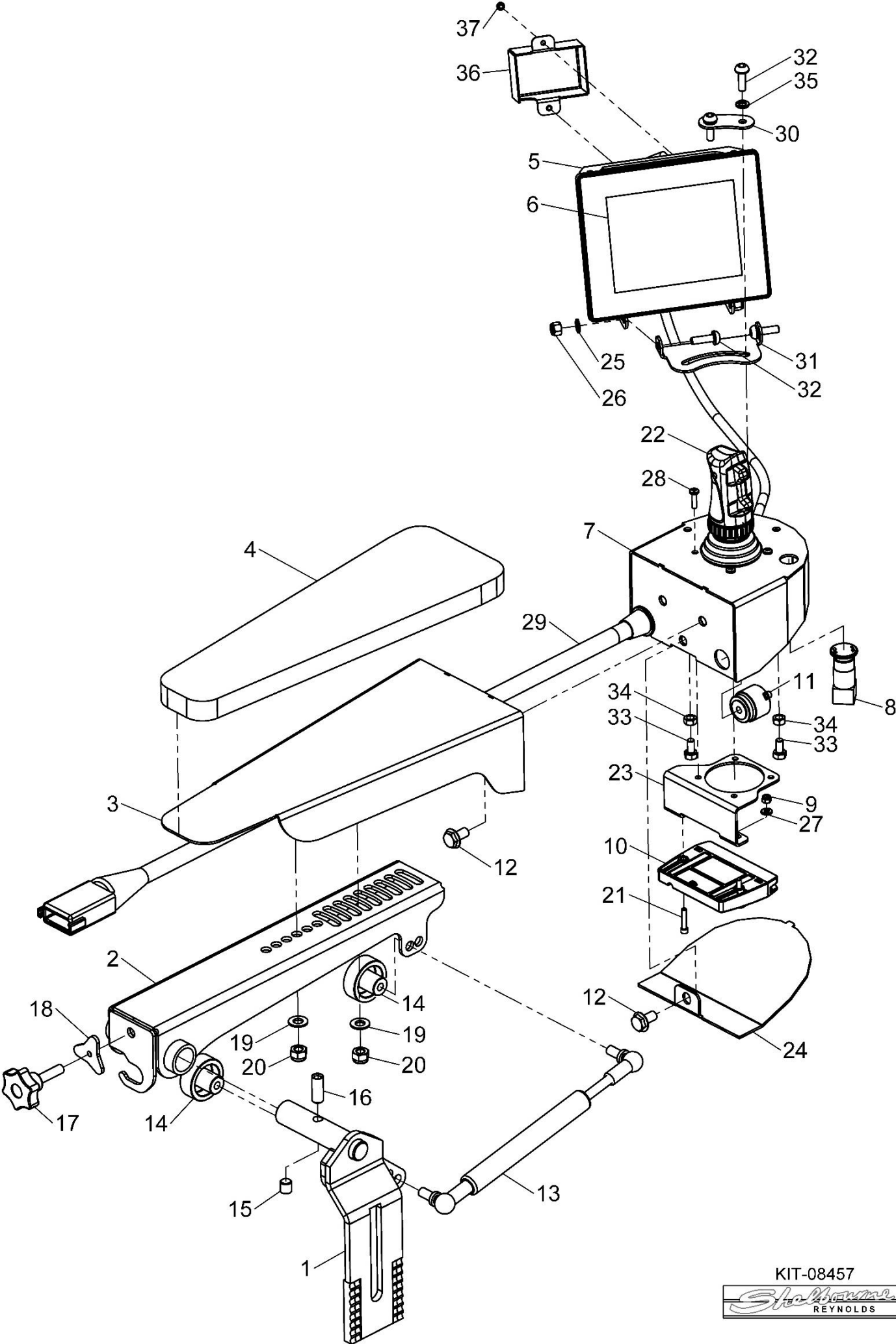


KIT-08455



**Shelbourne Reynolds Engineering Limited**

ASSY NUMBER: KIT-08457				ASSY DESCRIPTION: S-TOUCH COMPACT ARMREST KIT (UPTO 2023)			
ITEM	PART NO	DESCRIPTION	QTY	ITEM	PART NO	DESCRIPTION	QTY
1	806261 01	ARMREST FIXED W/A	1				
2	806260 01	ARMREST MOVING W/A	1				
3	806646 01	ARM REST W/A	1				
4	802242 01	FOAM PAD	1				
5	806734 01	SCREEN BRACKET W/A	1				
6	806737 01	TOUCHSCREEN COMPACT SOFTWARE	1				
7	806726 01	JOYSTICK BOX W/A	1				
8	806512 01	EMERGENCY STOP KIT	1				
9	NUT-0255	NYLOC NUT	2				
10	ECS-11000	EXPANSION MODULE	1				
11	806520 01	BUZZER KIT	1				
12	HSSG08114	BOLT	3				
13	GSTA08209	GAS STRUT	1				
14	KNO-0003	KNURLED KNOB	2				
15	SCW-4590	GRUB SCREW	1				
16	SCGA10178	GRUB SCREW	1				
17	KNO-0002	PLASTIC KNOB	1				
18	801100 01	LOCKING PLATE	1				
19	WSH-0012	WASHER	2				
20	NUT-0263	NYLOC NUT	2				
21	SCW-0035	CAP HEAD SCREW	2				
22	JOY-05040	JOYSTICK	1				
23	806731 01	MOUNTING PLATE	1				
24	806730 01	COVER PLATE	1				
25	WSH-0009	WASHER	2				
26	NUT-0260	NYLOC NUT	2				
27	WSH-0003	WASHER	2				
28	SCFC04110	PAN HEAD SCREW	4				
29	806508 01	LOOM	1				
30	806735 01	SLOT WASHER	1				
31	806736 01	COMPACT PAN BRACKET	1				
32	SCW-4960	BUTTON HEAD SCREW	4				
33	HSS-0082	HEX HEAD SCREW	2				
34	NUT-0160	PLAIN FULL NUT	2				
35	WSH-0056	SPRING WASHER	2				
36	807197 01	WIRE COVER BOX	1				
37	SCFC10006	SELF TAPPING SCREW	2				



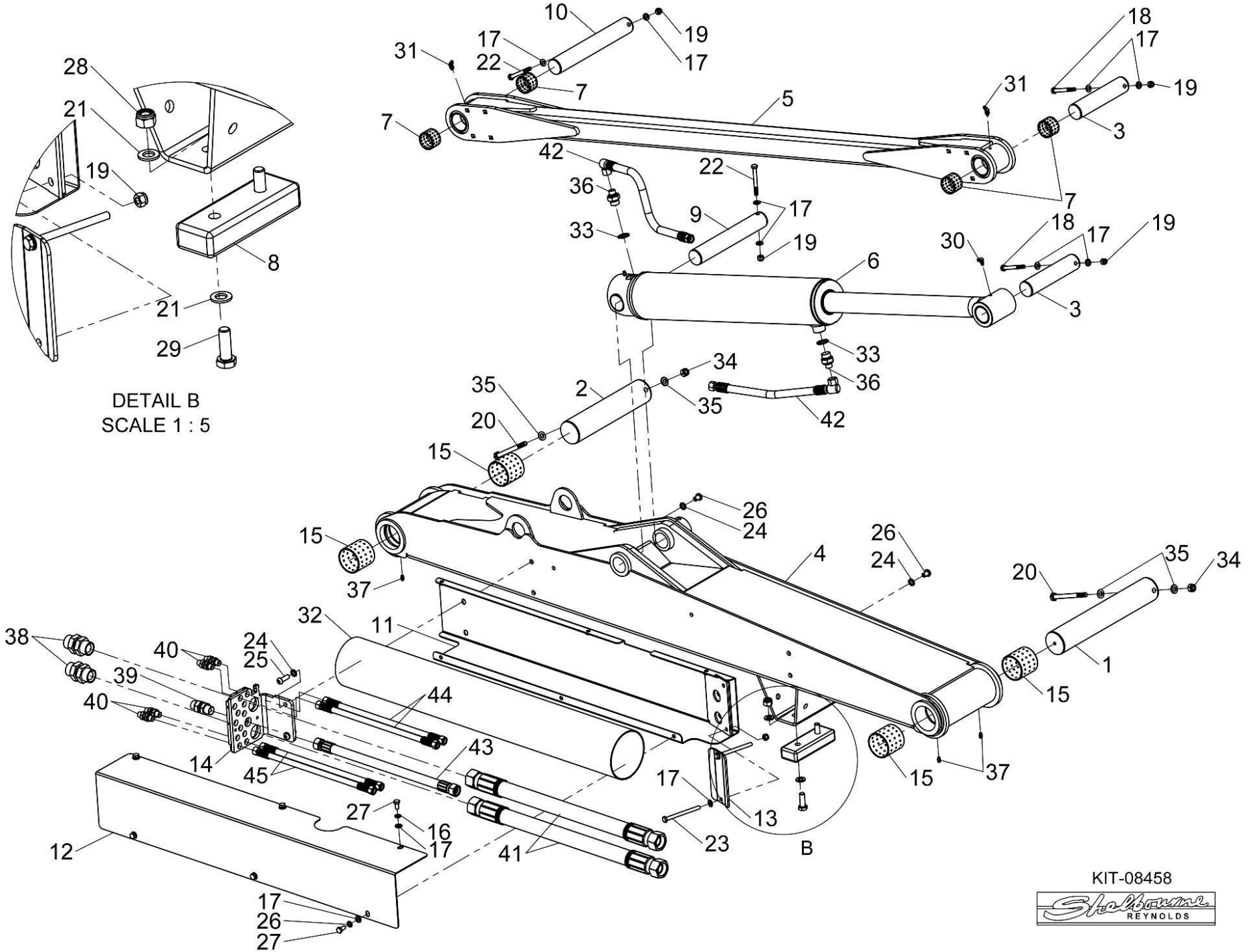
KIT-08457



**Shelbourne Reynolds Engineering Limited**

ASSY NUMBER: KIT-08458				ASSY DESCRIPTION: 6.0m INNER BOOM KIT			
ITEM	PART NO	DESCRIPTION	QTY	ITEM	PART NO	DESCRIPTION	QTY
1	803240 03	PIN	1	41	HHAI26605	HOSE	2
2	803240 01	PIN	1	42	HHCE26705	HOSE	2
3	802839 01	PIN	2	43	HHAF31005	HOSE	1
4	803591 01	INNER BOOM 6.0m W/A	1	44	HHAC27505	HOSE	2
5	803595 01	TIE ARM W/A	1	45	HHAC30105	HOSE	2
6	802812 01	CYLINDER REACH	1				
7	BSHO04056	BUSH	4				
8	801367 01	BUFFER	1				
9	802839 06	PIN	1				
10	802839 03	PIN	1				
11	806790 01	INNER HOSE COVER (6.0m)	1				
12	806792 01	OUTER HOSE COVER (6.0m)	1				
13	806801 01	CLAMP PLATE	1				
14	806791 01	BULKHEAD W/A	1				
15	BSHO06071	BUSH	4				
16	WSH-0058	SPRING WASHER	6				
17	WSH-0012	PLAIN WASHER	16				
18	BLTA08440	BOLT	2				
19	NUT-0263	NYLOC NUT	6				
20	BLTA10590	BOLT	2				
21	WSH-0018	PLAIN WASHER	4				
22	BLTA08470	BOLT	2				
23	BLTA08530	BOLT	2				
24	WSH-0061	SPRING WASHER	8				
25	SCW-0516	BUTTON HEAD SCREW	4				
26	SCBA10114	BUTTON HEAD SCREW	4				
27	HSS-0135	SETSCREW	6				
28	NUT-0269	NYLOC NUT	2				
29	HSS-0241	SETSCREW	2				
30	NIP-00605	GREASE NIPPLE	1				
31	NIP-00610	GREASE NIPPLE	2				
32	HHS-05020	HOSE SLEEVING	2.0m				
33	WSH-1015	DOWTY WASHER	2				
34	NUT-0265	NUT	2				
35	WSH-0015	WASHER	4				
36	HMA-0065	ADAPTOR M/M	2				
37	NIP-00600	GREASE NIPPLE	4				
38	HAGAA1313	BULKHEAD (1")	2				
39	HAGAA0707	BULKHEAD (1/2")	1				
40	HBK-0010	BULKHEAD (1/4")	4				

**Shelbourne Reynolds Engineering Limited**



KIT-08458

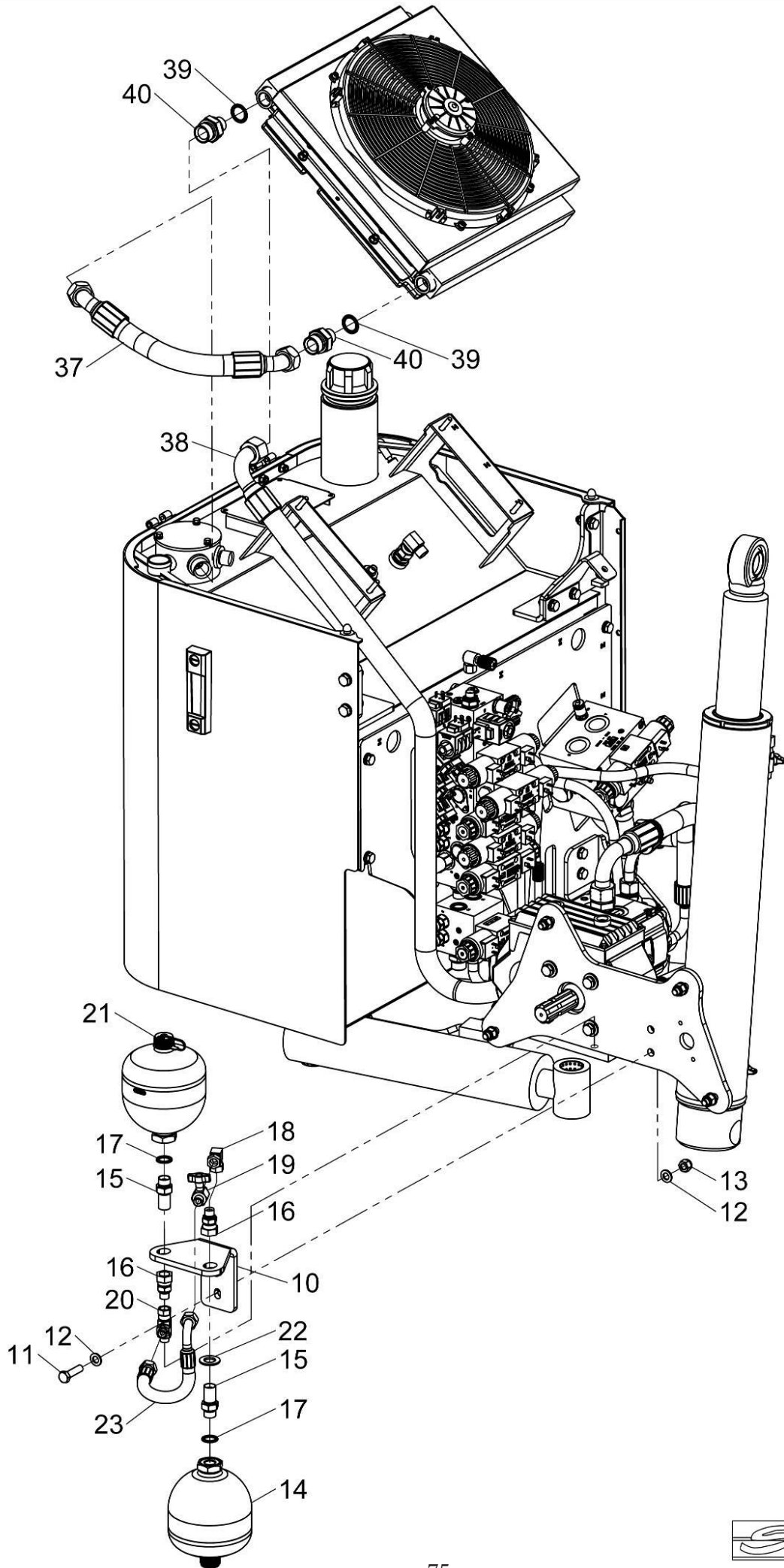






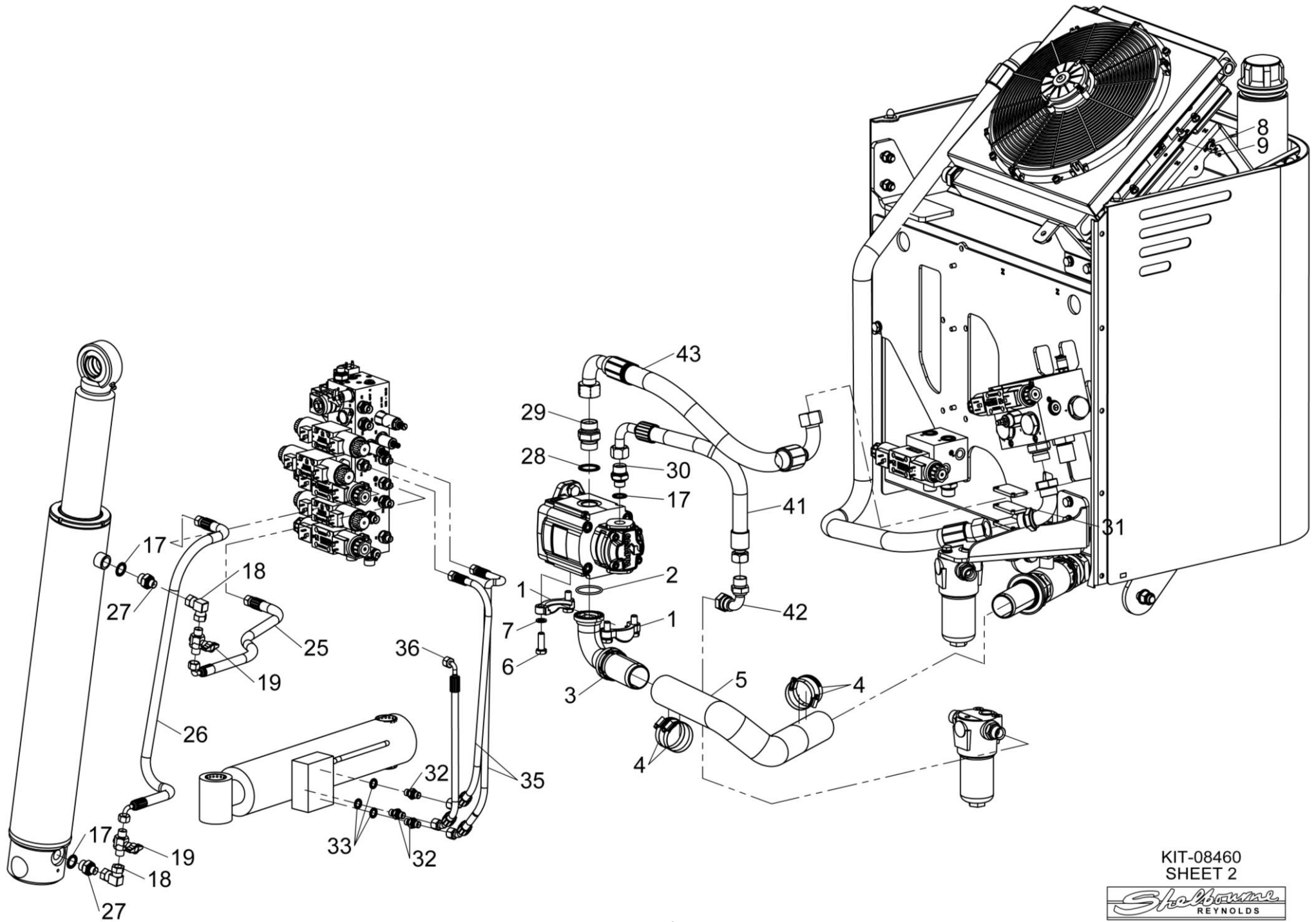
### Shelbourne Reynolds Engineering Limited

ASSY NUMBER: KIT-08460				ASSY DESCRIPTION: MAIN FRAME HYDRAULICS KIT (8000)			
ITEM	PART NO	DESCRIPTION	QTY	ITEM	PART NO	DESCRIPTION	QTY
1	HFKY60080	FLANGE HALVES (PAIR OF)	1	41	HHBH03305	HOSE T80XX231722 & ON	1
2	ORA260450	O RING	1	OR	HHEH04005	HOSE UPTO T80XX231722	1
3	HFKR05083	SUCTION ELBOW 2"	1	42	HAAJ1111	ELBOW FITTING	1
4	CLP-0120	JUBILEE CLIP	4	43	HHEI05505	HOSE	1
5	HOS-1050	BRAID HOSE 2"	0.51m				
6	HSS-0241	SETSCREW	4				
7	WSH-0065	SPRING WASHER	4				
8							
9							
10	804882 01	ACCUMULATOR BRACKET	1				
11	BLTA12290	BOLT	2				
12	WSH-0018	WASHER	4				
13	NUT-0269	NYLOC NUT	2				
14	HYA-01440	ACCUMULATOR	1				
15	HAGAA0707	BULKHEAD ADAPTOR	2				
16	FIT-0240	ADAPTOR	2				
17	WSH-1015	DOWTY WASHER	5				
18	HAKAA0505	ADAPTER	3				
19	HVB-02620	SHUT OFF VALVE	3				
20	FITA10410	TEE FITTING	1				
21	HYA-01430	ACCUMULATOR	1				
22	WSH-0030	PLAIN WASHER	2				
23	HHBE02405	HOSE	1				
24	HHCE12005	HOSE	1				
25	HHBE10205	HOSE	1				
26	HHAE13405	HOSE	1				
27	HMA-0065	ADAPTOR	2				
28	WSH-1025	DOWTY WASHER	1				
29	FIT-0546	ADAPTOR	1				
30	HMA-0060	ADAPTOR	1				
31	HAAJ1313	ADAPTOR ELBOW	1				
32	HMA-0052	ADAPTER	3				
33	WSH-1005	DOWTY WASHER	3				
34							
35	HHDC09405	HOSE	2				
36	HHKC13005	HOSE	1				
37	HHHI02905	HOSE	1				
38	HHBI14005	HOSE	1				
39	WSH-1020	WASHER	2				
40	HMA-0075	HYDRAULIC ADAPTOR	2				



KIT-08460  
SHEET 1





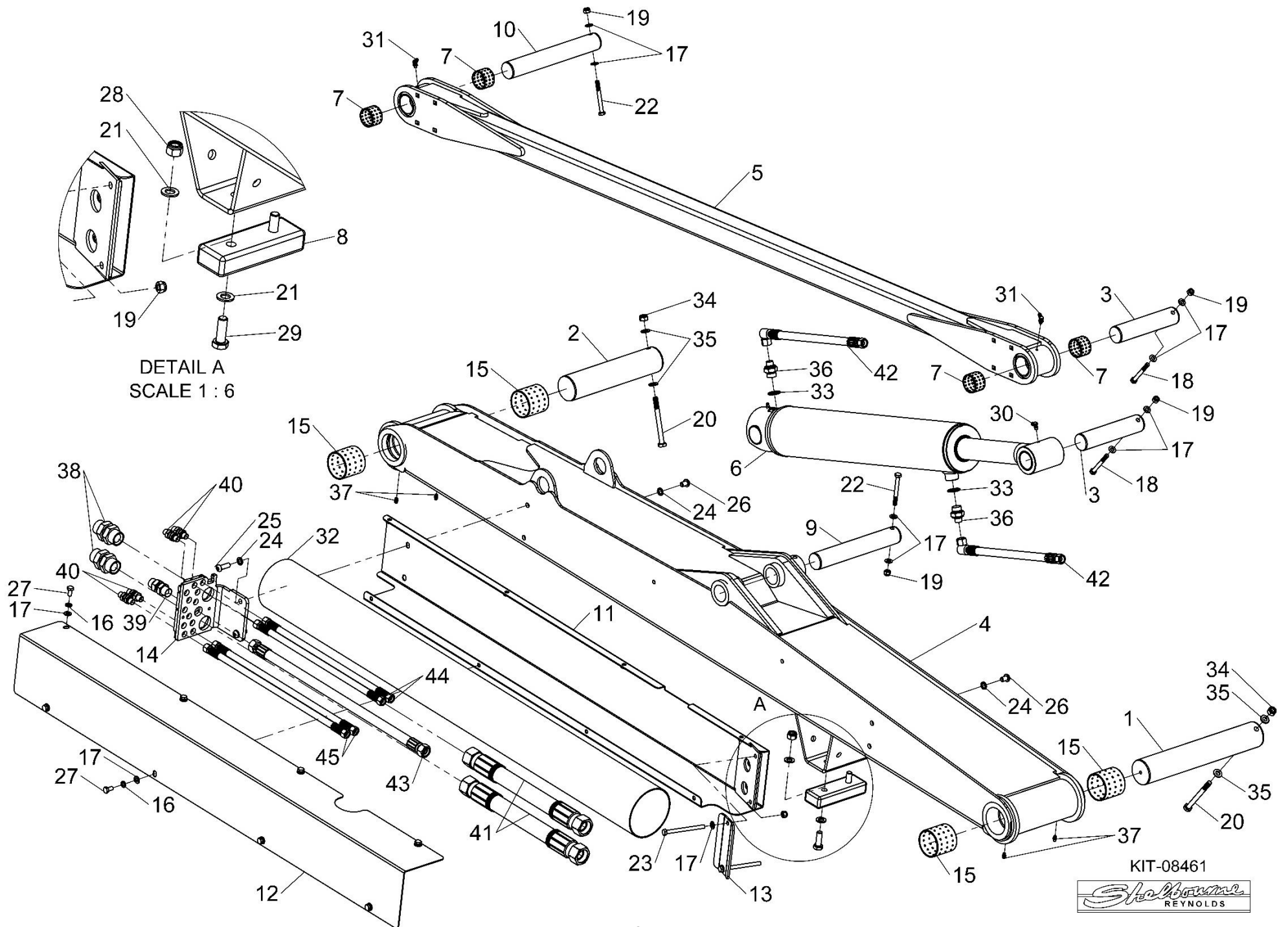
KIT-08460  
SHEET 2



**Shelbourne Reynolds Engineering Limited**

ASSY NUMBER: KIT-08461				ASSY DESCRIPTION: 7.0m INNER BOOM KIT			
ITEM	PART NO	DESCRIPTION	QTY	ITEM	PART NO	DESCRIPTION	QTY
1	803240 03	PIN	1	41	HHAI30005	HOSE BULK VALVE	2
2	803240 01	PIN	1	42	HHCE26705	HOSE REACH HOSE	2
3	802839 01	PIN	2	43	HHAF32405	HOSE DRAIN	1
4	803672 01	INNER BOOM 7.0m W/A	1	44	HHAC31505	HOSE	2
5	803325 01	TIE ARM W/ASSY	1	45	HHAC33705	HOSE	2
6	802812 01	CYLINDER ASSY	1				
7	BSHO04056	BUSH	4				
8	801367 01	BUFFER	1				
9	802839 06	PIN	1				
10	802839 03	PIN	1				
11	806809 01	INNER HOSE COVER W/A (7m)	1				
12	806811 01	OUTER HOSE COVER (7m)	1				
13	806801 01	CLAMP PLATE	1				
14	806791 01	BULKHEAD W/A	1				
15	BSHO06071	BUSH	4				
16	WSH-0058	SPRING WASHER	8				
17	WSH-0012	PLAIN WASHER	18				
18	BLTA08440	HEX HD BOLT	2				
19	NUT-0263	NYLOC NUT	6				
20	BLTA10590	HEX HD BOLT	2				
21	WSH-0018	PLAIN WASHER	4				
22	BLTA08470	HEX HD BOLT	2				
23	BLTA08530	HEX HD BOLT	2				
24	WSH-0061	SPRING WASHER	8				
25	SCW-0516	BUTTON HD SCREW	4				
26	SCBA10114	BUTT SOC HD SCREW	4				
27	HSS-0135	HEX HD BOLT	8				
28	NUT-0269	NYLOC NUT	2				
29	HSS-0241	HEX HD SETSCREW	2				
30	NIP-00605	GREASE NIPPLE	1				
31	NIP-00610	GREASE NIPPLE	2				
32	HHS-05020	HOSE SLEEVING	2.0m				
33	WSH-1015	DOWTY WASHER	2				
34	NUT-0265	NYLOC NUT	2				
35	WSH-0015	PLAIN WASHER	4				
36	HMA-0065	M/M ADAPTER	2				
37	NIP-00600	GREASE NIPPLE	4				
38	HAGAA1313	BULKHEAD	2				
39	HAGAA0707	BULKHEAD	1				
40	HBK-0010	BULKHEAD	4				

**Shelbourne Reynolds Engineering Limited**



DETAIL A  
SCALE 1:6

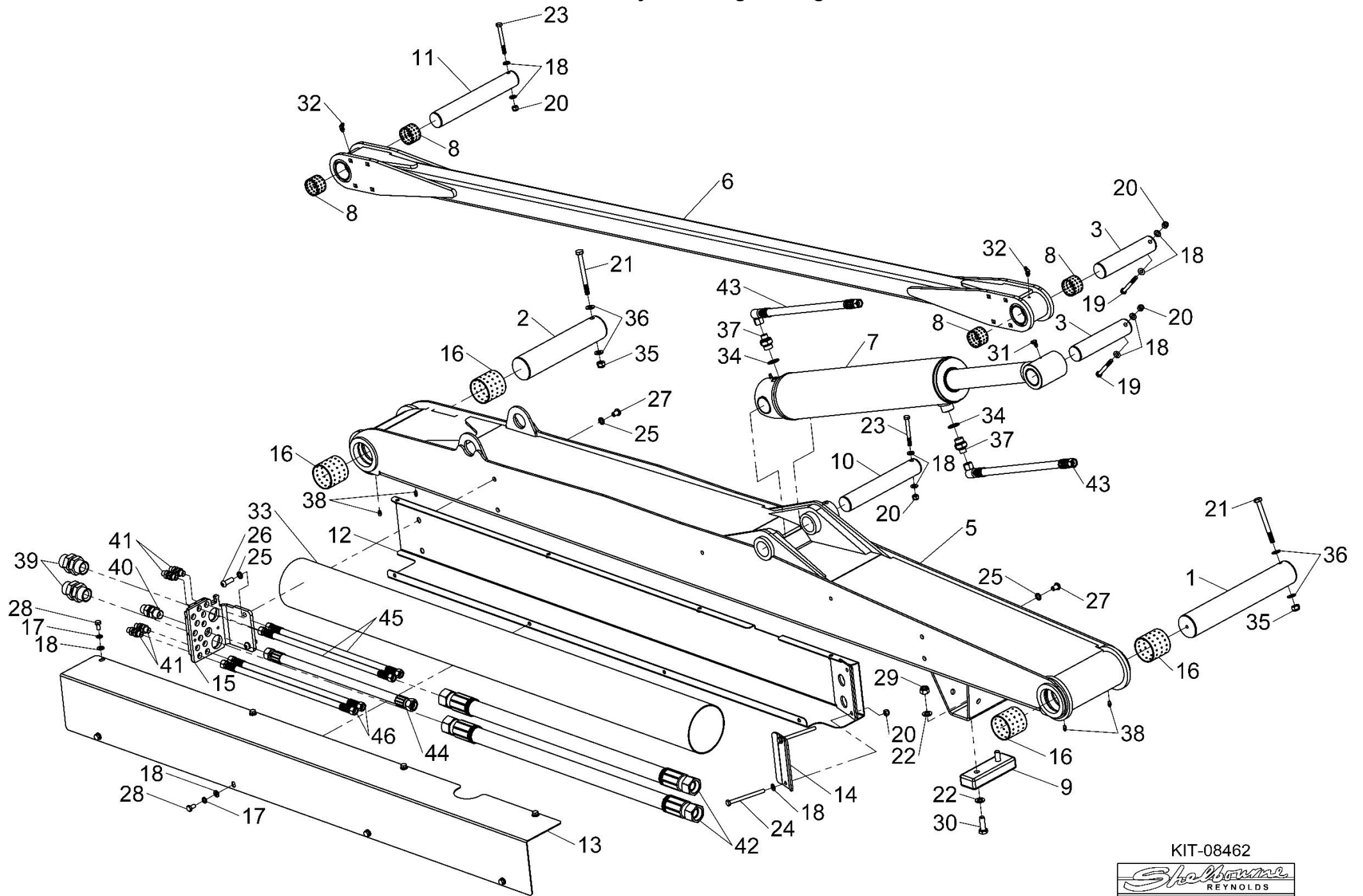
KIT-08461



**Shelbourne Reynolds Engineering Limited**

ASSY NUMBER: KIT-08462				ASSY DESCRIPTION: 8.0m INNER BOOM KIT			
ITEM	PART NO	DESCRIPTION	QTY	ITEM	PART NO	DESCRIPTION	QTY
1	803240 03	PIN	1	42	HHAI33005	HOSE (ROTOR)	2
2	803240 01	PIN	1	43	HHCE26705	HOSE (REACH)	2
3	802839 01	PIN	2	44	HHAF37705	HOSE (ROTOR DRAIN)	1
5	803839 01	INNER BOOM 8.0m W/A	1	45	HHAC34505	HOSE (H/A)	2
6	802840 01	TIE ARM W/A	1	46	HHAC35005	HOSE (TELE)	2
7	802812 01	CYLINDER REACH	1				
8	BSHO04056	BUSH	4				
9	801367 01	BUFFER	1				
10	802839 06	PIN	1				
11	802839 03	PIN	1				
12	806820 01	HOSE GUARD (8.0m) W/A	1				
13	806813 01	HOSE GUARD (8.0m) W/A	1				
14	806801 01	HOSE GUIDE PLATE	1				
15	806791 01	BULKHEAD W/A	1				
16	BSHO06071	BUSH	4				
17	WSH-0058	SPRING WASHER	8				
18	WSH-0012	PLAIN WASHER	18				
19	BLTA08440	BOLT	2				
20	NUT-0263	NYLOC NUT	6				
21	BLTA10590	BOLT	2				
22	WSH-0018	PLAIN WASHER	4				
23	BLTA08470	BOLT	2				
24	BLTA08530	BOLT	2				
25	WSH-0061	SPRING WASHER	8				
26	SCW-0516	BUTTON HEAD SCREW	4				
27	SCBA10114	BUTTON HEAD SCREW	4				
28	HSS-0135	SETSCREW	8				
29	NUT-0269	NYLOC NUT	2				
30	HSS-0241	SETSCREW	2				
31	NIP-00605	GREASE NIPPLE	1				
32	NIP-00610	GREASE NIPPLE	2				
33	HHS-05020	HOSE SLEEVING	2.0m				
34	WSH-1015	DOWTY WASHER	2				
35	NUT-0265	NUT	2				
36	WSH-0015	WASHER	4				
37	HMA-0065	ADAPTOR M/M	2				
38	NIP-00600	GREASE NIPPLE	4				
39	HAGAA1313	BULKHEAD	2				
40	HAGAA0707	BULKHEAD	1				
41	HBK-0010	BULKHEAD	4				

**Shelbourne Reynolds Engineering Limited**



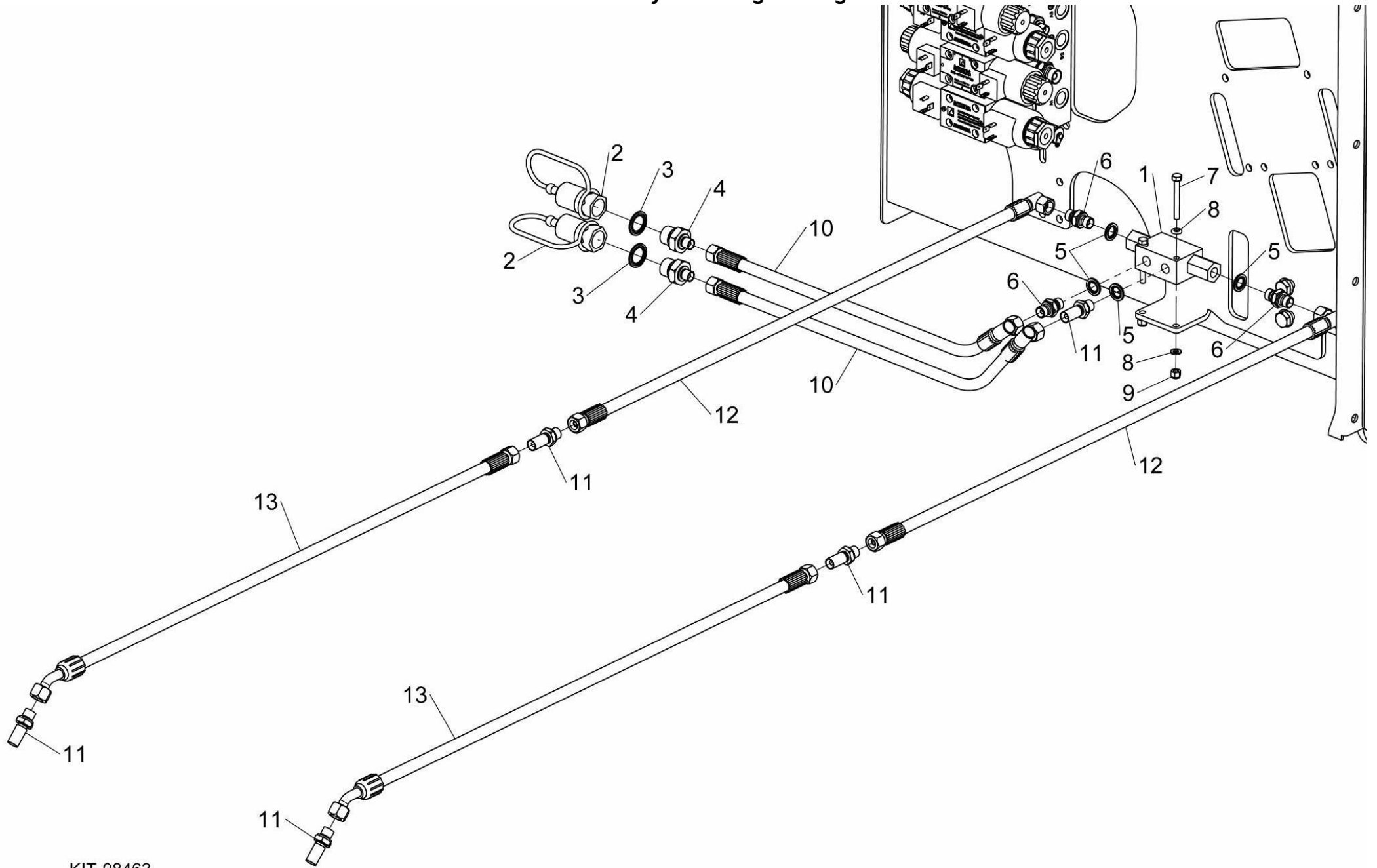
KIT-08462



**Shelbourne Reynolds Engineering Limited**

ASSY NUMBER: KIT-08463				ASSY DESCRIPTION: BOOM HYDRAULICS FOR HEAD OPTIONS KIT			
ITEM	PART NO	DESCRIPTION	QTY	ITEM	PART NO	DESCRIPTION	QTY
1		NOW SEE KIT-08533 (MID 2023 & ON)	-				
OR	HVB-27000	VALVE BLOCK (UPTO MID2023)	1				
2	COU-0162	QUICK REL COUP	2				
3	WSH-1015	BONDED SEAL	2				
4	HMA-0055	ADAPTOR	2				
5	WSH-1005	DOWTY WASHER	4		KIT-08463A HYD	MID 2023 & ON HYDRAULICS 8060T HEAD OPTIONS KIT	
6	HMA-0052	ADAPTOR	3		KIT-08463B HYD	HYDRAULICS 8070T HEAD OPTIONS KIT	
7		NOW SEE KIT-08533	-		KIT-08463C HYD	HYDRAULICS 8080T HEAD OPTIONS KIT	
OR	BLTA06320	BOLT FOR 1 HD OPT	2		KIT-08463D HYD	HYDRAULICS 8065 VFRT HEAD OPTIONS	
OR	BLTA06470	BOLT FOR 2 HD OPT	2		KIT-08463E HYD	HYDRAULICS 8075 VFRT HEAD OPTIONS	
OR	BLTA06570	BOLT FOR 3 HD OPT	2				
8		NOW SEE KIT-08533	-				
OR	WSH-0009	WASHER	4		KIT-08533A	MID 2023 & ON FIXING KIT FOR 1 HEAD OPTIONS	
9		NOW SEE KIT-08533	-		KIT-08533B	FIXING KIT FOR 2 HEAD OPTIONS	
OR	NUT-0260	NYLOC NUT	2		KIT-08533C	FIXING KIT FOR 3 HEAD OPTIONS	
10	HHCC25005	HOSE	2				
11	HBK-0010	BULKHEAD	5				
12	HHCC31005	HOSE INNER 6m	2				
OR	HHCC35005	HOSE INNER 7m	2				
OR	HHCC37505	HOSE INNER 8m	2				
13	HHDC31505	HOSE OUTER 8060T	2		KIT-08463A	UPTO MID 2023 8060T HYD FOR HEAD OPTIONS KIT	
OR	HHDC37805	HOSE OUTER 8070T	2		KIT-08463B	8070T HYD FOR HEAD OPTIONS KIT	
OR	HHDC46005	HOSE OUTER 8080T	2		KIT-08463C	8080T HYD FOR HEAD OPTIONS KIT	
OR	HHDC29005	HOSE OUTER 8065 VFRT	2		KIT-08463D	8065 VFRT HYD FOR HEAD OPTIONS	
OR	HHDC35505	HOSE OUTER 8075 VFRT	2		KIT-08463E	8075 VFRT HYD FOR HEAD OPTIONS	





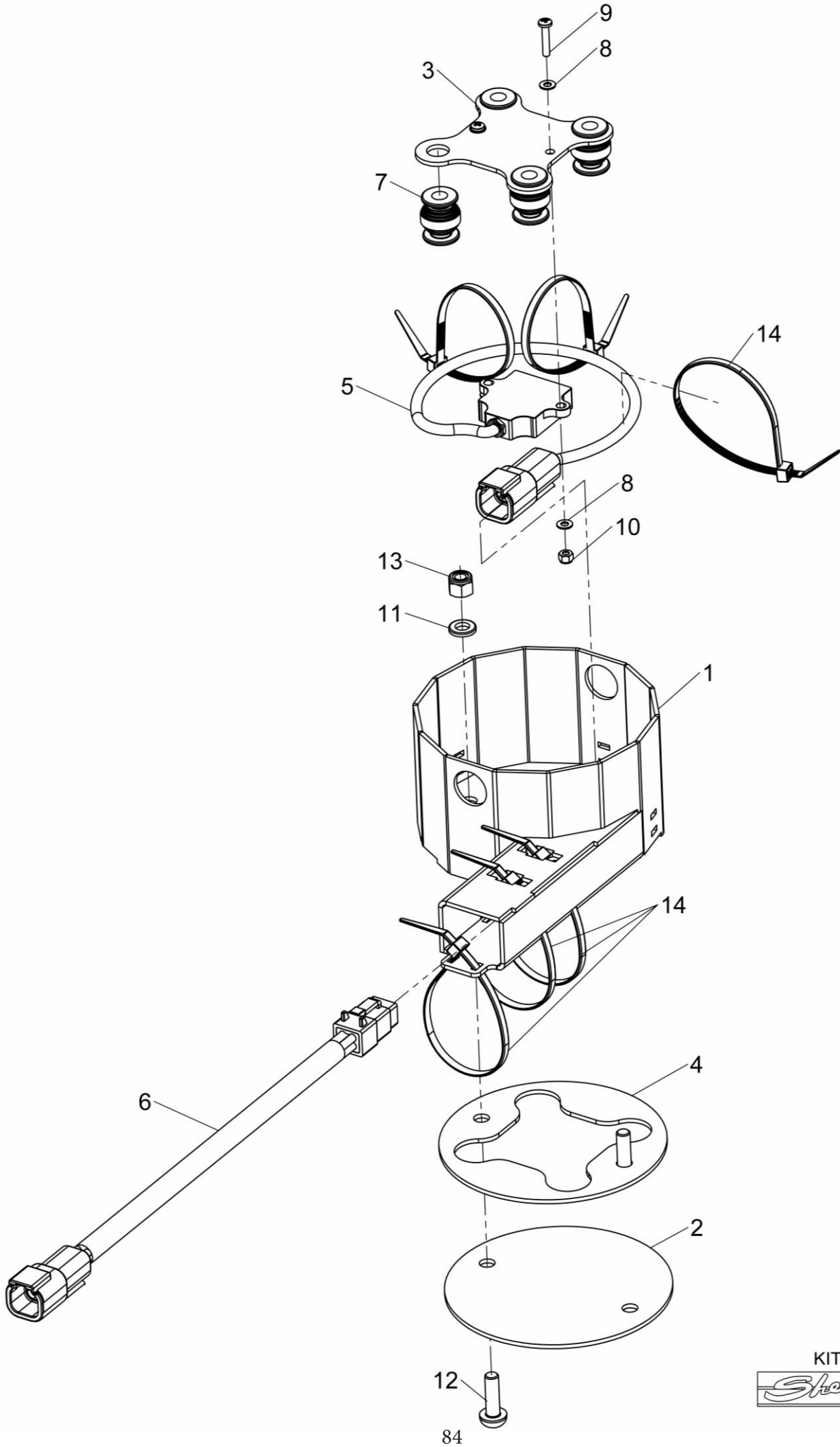
KIT-08463



**Shelbourne Reynolds Engineering Limited**

ASSY NUMBER: KIT-08464				ASSY DESCRIPTION: HEAD LEVEL SENSOR ASSY KIT			
ITEM	PART NO	DESCRIPTION	QTY	ITEM	PART NO	DESCRIPTION	QTY
1	806805 01	HEAD LEVEL SENSOR BRACKET W/A	1				
2	806807 01	COVER PLATE	1				
3	806814 01	SENSOR MOUNTING PLATE	1				
4	806815 01	INNER COVER PLATE	1				
5	806578 01	LEVEL SENSOR WITH PLUG	1				
6	806519 01	HEAD ANGLE SENSOR LOOM	1				
7	RUB-0340	RUBBER DAMPER	4				
8	WSH-0001	PLAIN WASHER	4				
9	SCFC03110	PAN HEAD SCREW	2				
10	NUTA02030	NYLOC NUT	2				
11	WSH-0009	PLAIN WASHER	2				
12	SCW-4960	BUTTON SKT. HD. SCREW	2				
13	NUT-0260	NYLOC NUT	2				
14	TIE-0004	TIE WRAP BLACK	7				

**Shelbourne Reynolds Engineering Limited**



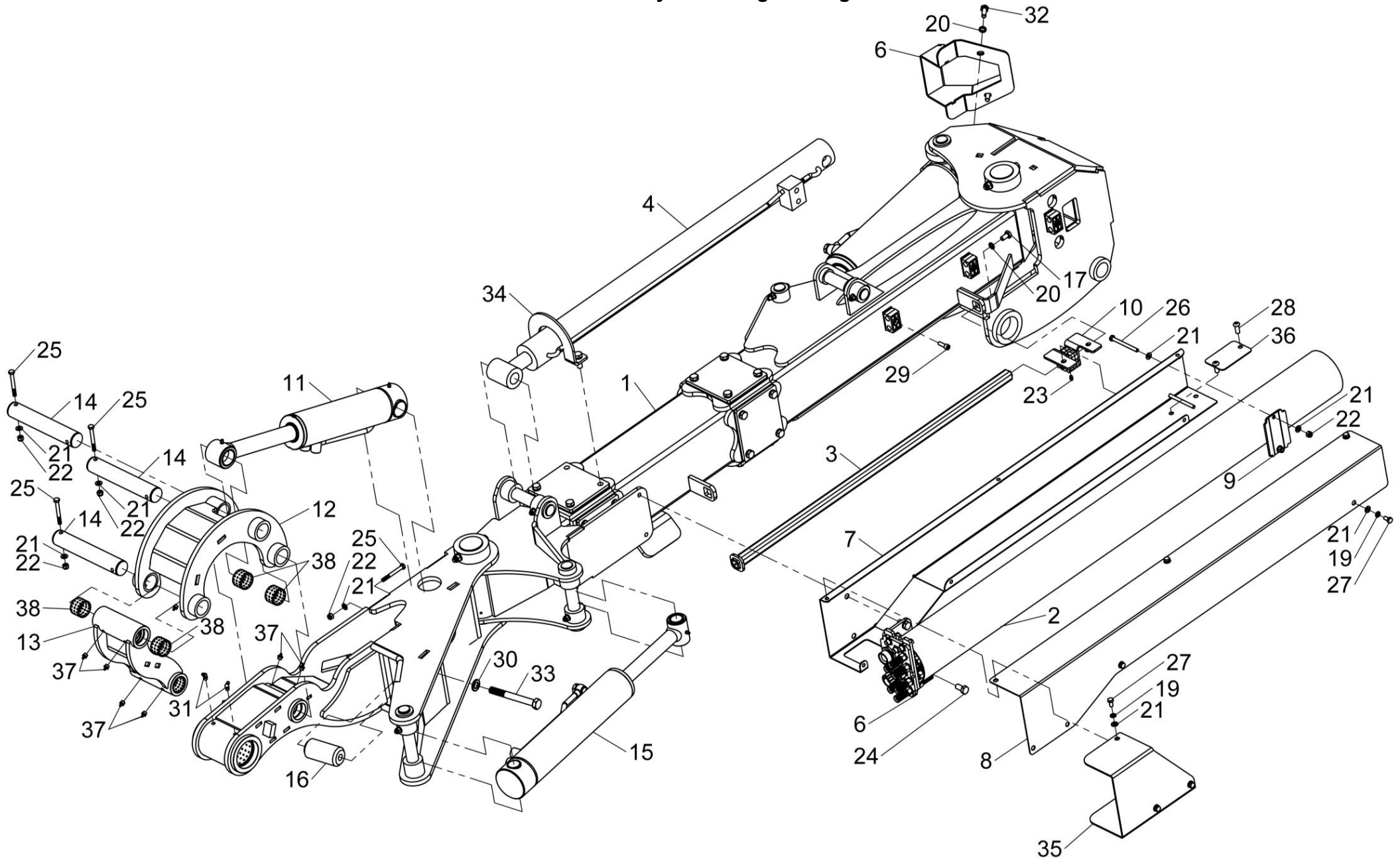
KIT-08464



**Shelbourne Reynolds Engineering Limited**

ASSY NUMBER: KIT-08465				ASSY DESCRIPTION 8065 VFRT OUTER BOOM KIT			
ITEM	PART NO	DESCRIPTION	QTY	ITEM	PART NO	DESCRIPTION	QTY
1	KIT-08465A	SUB ASSY 8065 VFRT OUT BM KIT	1	38	BSHO04056	BUSH	4
2	KIT-08465 HYD	HYD FOR 8065 VFRT OUT BM KIT	1				
3	803609 01	SLIDE TUBE W/A	1				
4	801235 04	TELE CYLINDER	1				
5	806842 01	TOP COVER	1				
6	806849 01	BULKHEAD W/A	1				
7	806850 01	6.0m HOSE GUARD W/A	1				
8	806856 01	6.0m COVER	1				
9	806848 01	HOSE GUIDE PLATE	1				
10	801459 01	SLIDING BOSS	1				
11	803623 01	HEAD ANGLE CYLINDER	1				
12	803643 01	CURVE LINK W/A	1			SEE SEPARATE WORD PAGES FOR	
13	803645 01	2 <sup>ND</sup> CURVE LINK W/A	1			KIT-08465A & KIT-08465 HYD	
14	802839 08	PIN	3				
15	803624 01	HYDRAULIC CYLINDER	1				
16	803621 01	HOSE ROLLER	1				
17	HSS-0188	SET SCREW	1				
18							
19	WSH-0058	SPRING WASHER	7				
20	WSH-0061	SPRING WASHER	3				
21	WSH-0012	PLAIN WASHER	14				
22	NUT-0263	NYLOC NUT	13				
23	NIP-00600	GREASE NIPPLE	1				
24	HSS-0235	SET SCREW	2				
25	BLTA08440	HEX.HEAD BOLT	5				
26	BLTA08500	HEX.HEAD BOLT	2				
27	HSS-0135	SETSCREW	7				
28	SCW-0516	BUTTON HD SCREW	2				
29	SCW-0136	HT CAP HEAD SCREW	3				
30	WSH-0024	PLAIN WASHER	1				
31	NIP-0203	GREASE NIPPLE 2023&ON	2				
OR	NIP-00610	GREASE NIPPLE UPTO2023	2				
32	HSS-0194	SETSCREW	2				
33	BLTA16680	BOLT	1				
34	803403 01	RETAINING RING	1				
35	806851 01	COVER	1				
36	806857 01	COVER PLATE	1				
37	NIP-0001	GREASE NIPPLE 2023&ON	6				
OR	NIP-01000	GREASE NIPPLE UPTO2023	6				

Shelbourne Reynolds Engineering Limited



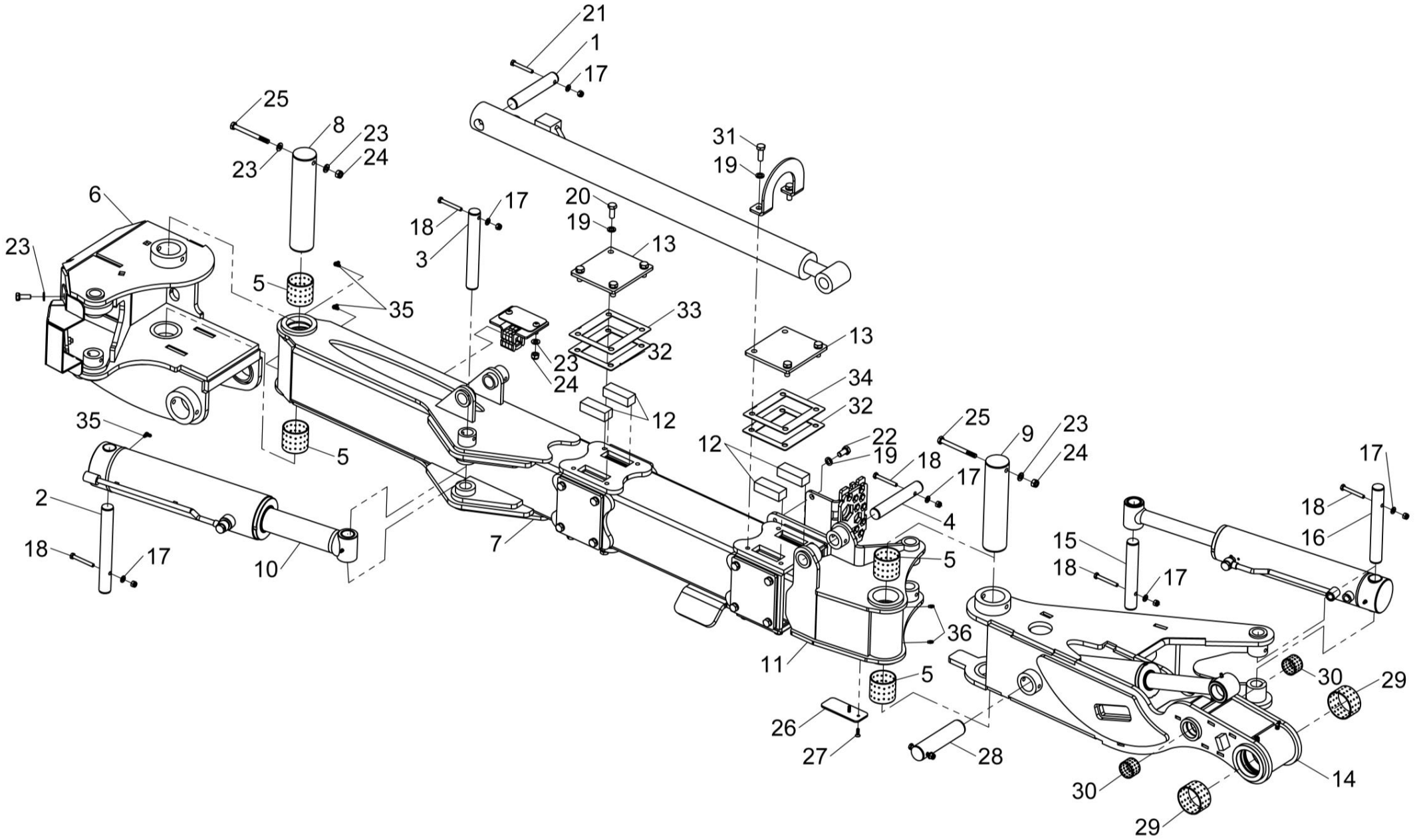
KIT-08465



**Shelbourne Reynolds Engineering Limited**

ASSY NUMBER: KIT-08465A				ASSY DESCRIPTION: SUB ASSEMBLY 8065 VFRT OUTER BOOM KIT			
ITEM	PART NO	DESCRIPTION	QTY	ITEM	PART NO	DESCRIPTION	QTY
1	800987 08	PIN	1				
2	800987 33	PIN	1				
3	800987 32	PIN	1				
4	800987 22	PIN	1				
5	BSHO06071	BUSH	4				
6	806817 01	TOP HEAD STOCK W/A	1				
7	806295 01	TOP TELE BEAM SECTION	1				
8	803240 01	PIN	1				
9	803240 02	PIN	1				
10	803254 01	HYDRAULIC RAM	1				
11	803605 01	LOWER TELE BOOM	1				
12	803988 01	WEAR PAD	16				
13	803267 01	WEAR PLATE RETAINER	8				
14	803636 01	LOWER ARM W/A	1				
15	800987 23	TELE BOOM PIN	1				
16	800101 27	PIN LIFT RAM	1				
17	WSH-0012	PLAIN WASHER	6				
18	BLTA08410	HEX.HEAD BOLT	5				
19	WSH-0065	SPRING WASHER	34				
20	HSS-0238	BOLT	30				
21	BLTA08380	HEX.HEAD BOLT	1				
22	HSS-0235	SET SCREW	2				
23	WSH-0015	PLAIN WASHER	7				
24	NUT-0265	NYLOC NUT	4				
25	BLTA10590	HEX.HEAD BOLT	2				
26	803622 01	GUIDE PLATE	1				
27	SCW-1580	CSK SOCKET HD SCW	2				
28	802839 07	PIN	1				
29	BSH007071	BUSH 60LG 2023&ON	2				
OR	BSH007062	BUSH 40LG UPTO2023	2				
30	BSH004056	BUSH	2				
31	HSS-0241	BOLT	2				
32	806113 01	SHIM (2mm)	8				
33	806113 02	SHIM (1.2mm)	6				
34	806113 03	SHIM (1.5mm)	6				
35	NIP-00605	GREASE NIPPLE	3				
36	NIP-00600	GREASE NIPPLE	2				

Shelbourne Reynolds Engineering Limited



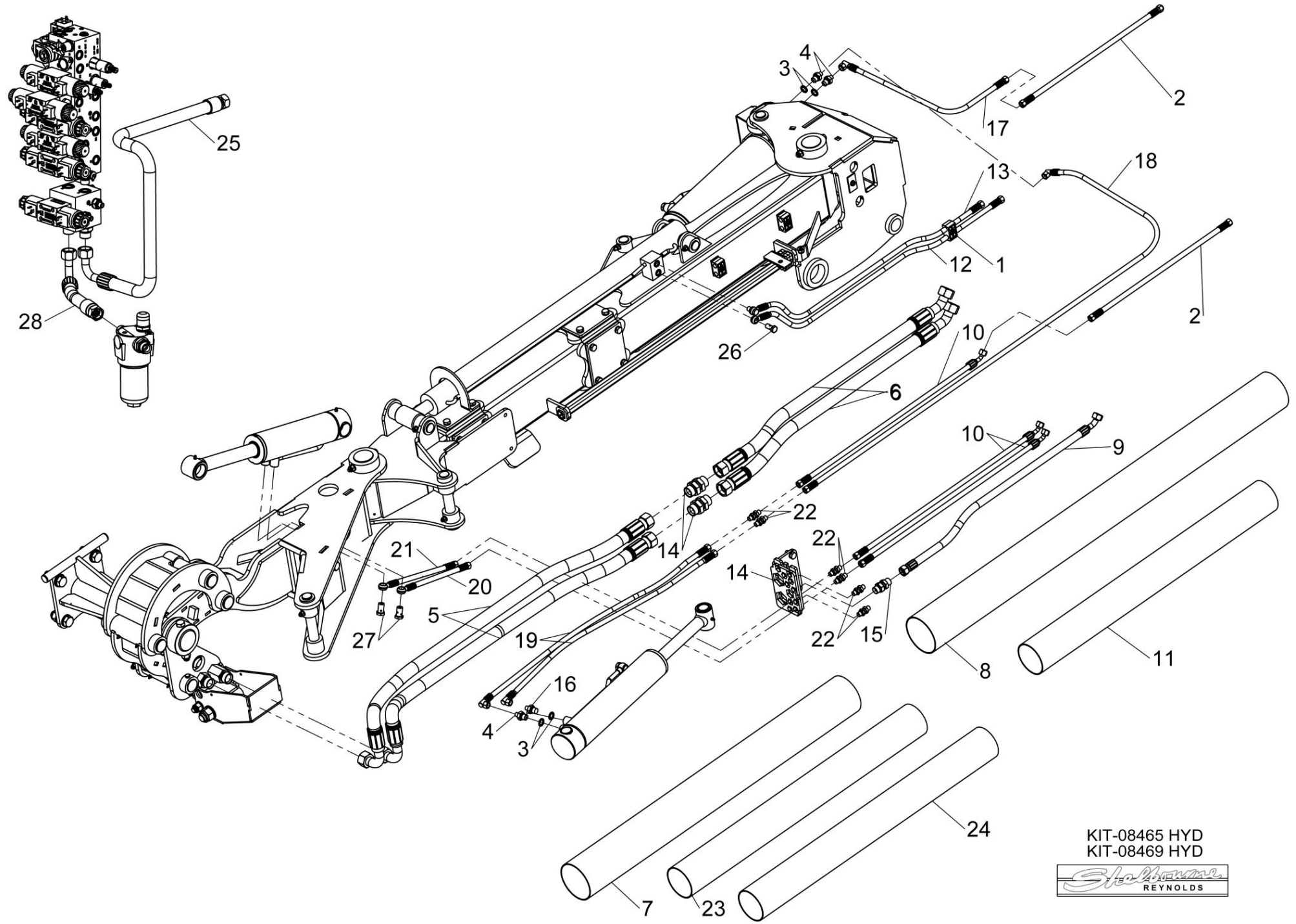
KIT-08465A  
KIT-08469A



**Shelbourne Reynolds Engineering Limited**

ASSY NUMBER: KIT-08465 HYD				ASSY DESCRIPTION: HYDRAULICS FOR 8065 VFRT OUTER BOOM KIT			
ITEM	PART NO	DESCRIPTION	QTY	ITEM	PART NO	DESCRIPTION	QTY
1	HCPD01400	HYDRAULIC PIPE CLAMP	3				
2	HHAC31005	HOSE	2				
3	WSH-1010	DOWTY WASHER	4				
4	FIT-0025	ADAPTOR	3				
5	HHBI17305	HOSE T80XX231722 & ON	2				
OR	HHBI17205	HOSE UPTO T80XX231722	2				
6	HHDI28505	HOSE	2				
7	HHS-05010	HOSE SLEEVING	2.0m				
8	HHS-05020	HOSE SLEEVING	2.4m				
9	HHDF29005	HOSE	1				
10	HHDC29005	HOSE	3				
11	HHS-05005	HOSE SLEEVING	1.3m				
12	HHLC19105	HOSE	1				
13	HHLC18705	HOSE	1				
14	HAGAA1313	BULHEAD	2				
15	HAGAA0707	BULHEAD	1				
16	190859 01	ADAPTOR	1				
17	HHCC13605	HOSE	1				
18	HHCC42805	HOSE	1				
19	HHCC10005	HOSE	2				
20	HHLC08905	HOSE	1				
21	HHLC09505	HOSE	1				
22	HBK-0010	BULHEAD	6				
23	HHS-05005	HOSE SLEEVING	1m				
24	HHS-05005	HOSE SLEEVING	1m				
25	HHBH16005	HOSE	1				
26	HFAW50003	BANJO BOLT & SEAL RINGS	2				
27	HFAW50005	BANJO BOLT & SEALS	2				
28	HHBH01805	HOSE T80XX231722 & ON	1				
OR	HHBH02605	HOSE UPTO T80XX231722	1				





KIT-08465 HYD  
KIT-08469 HYD

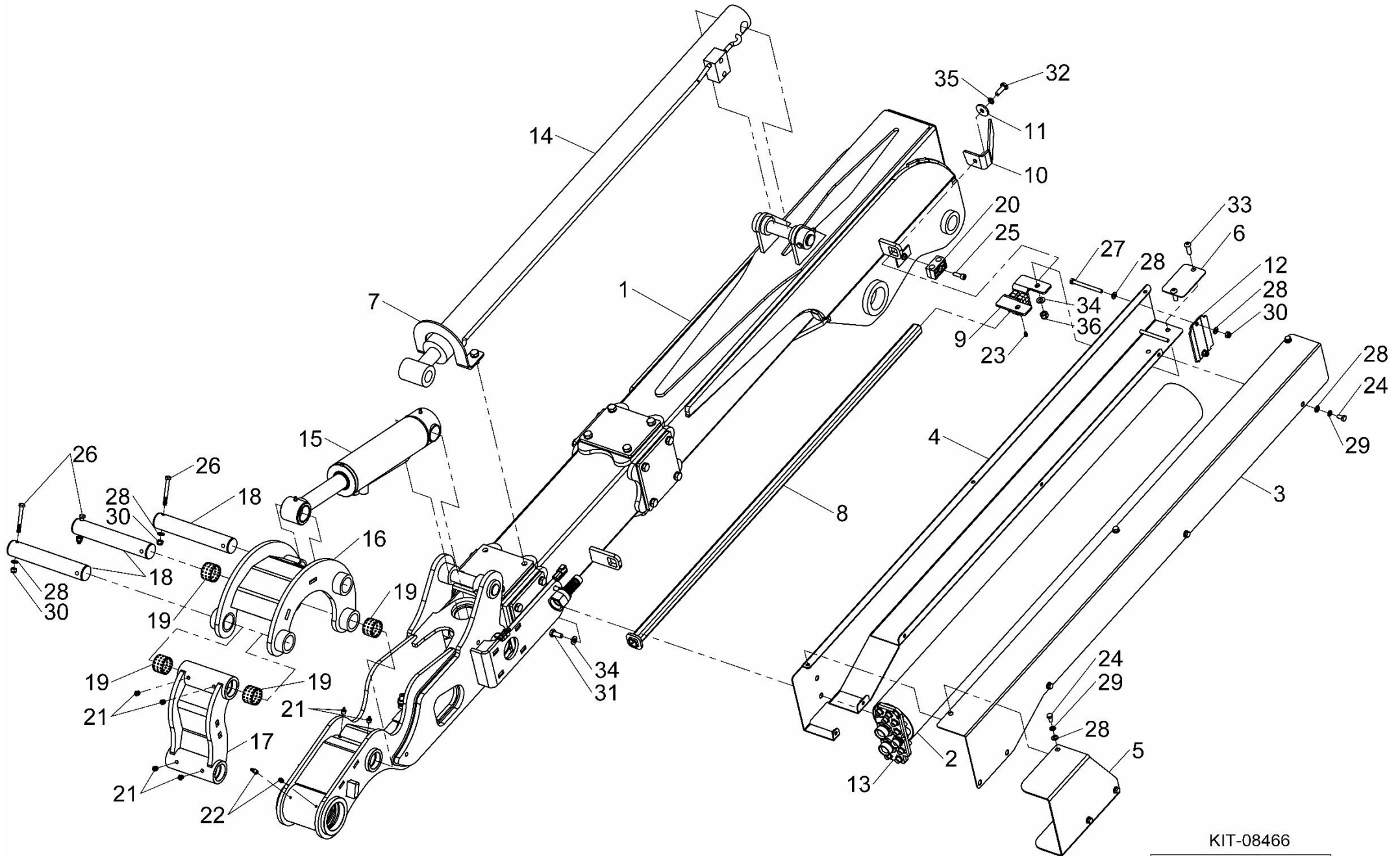


**Shelbourne Reynolds Engineering Limited**

ASSY NUMBER: KIT-08466				ASSY DESCRIPTION: 8060T OUTER BOOM KIT			
ITEM	PART NO	DESCRIPTION	QTY	ITEM	PART NO	DESCRIPTION	QTY
1	KIT-08466A	8070T OUTER BOOM SUB	1				
2	KIT-08466 HYD	8070T OUTER BOOM HYDRAULICS	1				
3	807033 01	OUTER HOSE GUARD (6m)	1				
4	807031 01	INNER HOSE GUARD WA (6m)	1				
5	806847 01	HOSE GUARD END COVER	1				
6	806857 01	HOSE COVER SPREADER PLATE	1				
7	803821 01	TELE RAM GUARD	1				
8	800994 01	SLIDE TUBE WA	1				
9	801459 01	SLIDING BOSS	1				
10	803820 01	HOSE GUIDE	1				
11	190119 09	WASHER	1				
12	806848 01	HOSE CLAMPING PLATE	1				
13	806836 01	BULKHEAD W/A	1				
14	801235 01	TELE RAM	1				
15	803623 01	HEAD ANG CYLINDER	1				
16	803643 01	CURVE LINK W/A	1				
17	803645 01	2ND CURVE LINK	1				
18	802839 08	PIN	3				
19	BSHO04056	BUSH	4				
20	HCPD01400	HYDRAULIC PIPE CLAMP	1				
21	NIP-0001	GREASE NIPPLE 2023&ON	6				
OR	NIP-01000	GREASE NIPPLE UPTO2023	6				
22	NIP-0203	GREASE NIPPLE 2023&ON	2				
OR	NIP-00610	GREASE NIPPLE UPTO2023	2				
23	NIP-00600	GREASE NIPPLE	1				
24	HSS-0135	HEX HD BOLT	8				
25	SCW-0136	CAP HD SCREW	1				
26	BLTA08440	HEX HD BOLT	3				
27	BLTA08500	HEX HD BOLT	2				
28	WSH-0012	PLAIN WASHER	15				
29	WSH-0058	SPRING WASHER	8				
30	NUT-0263	NYLOC NUT	5				
31	HSS-0191	HEX HD BOLT	2				
32	HSS-0194	HEX HD BOLT	1				
33	SCW-0516	BUTTON HD SCREW	2				
34	WSH-0015	PLAIN WASHER	4				
35	WSH-0061	SPRING WASHER	1				
36	NUT-0265	NYLOC NUT	2				

SEE SEPARATE WORD PAGES FOR  
KIT-08465A & KIT-08465 HYD  
KIT-08466A & KIT-08466 HYD

Shelbourne Reynolds Engineering Limited

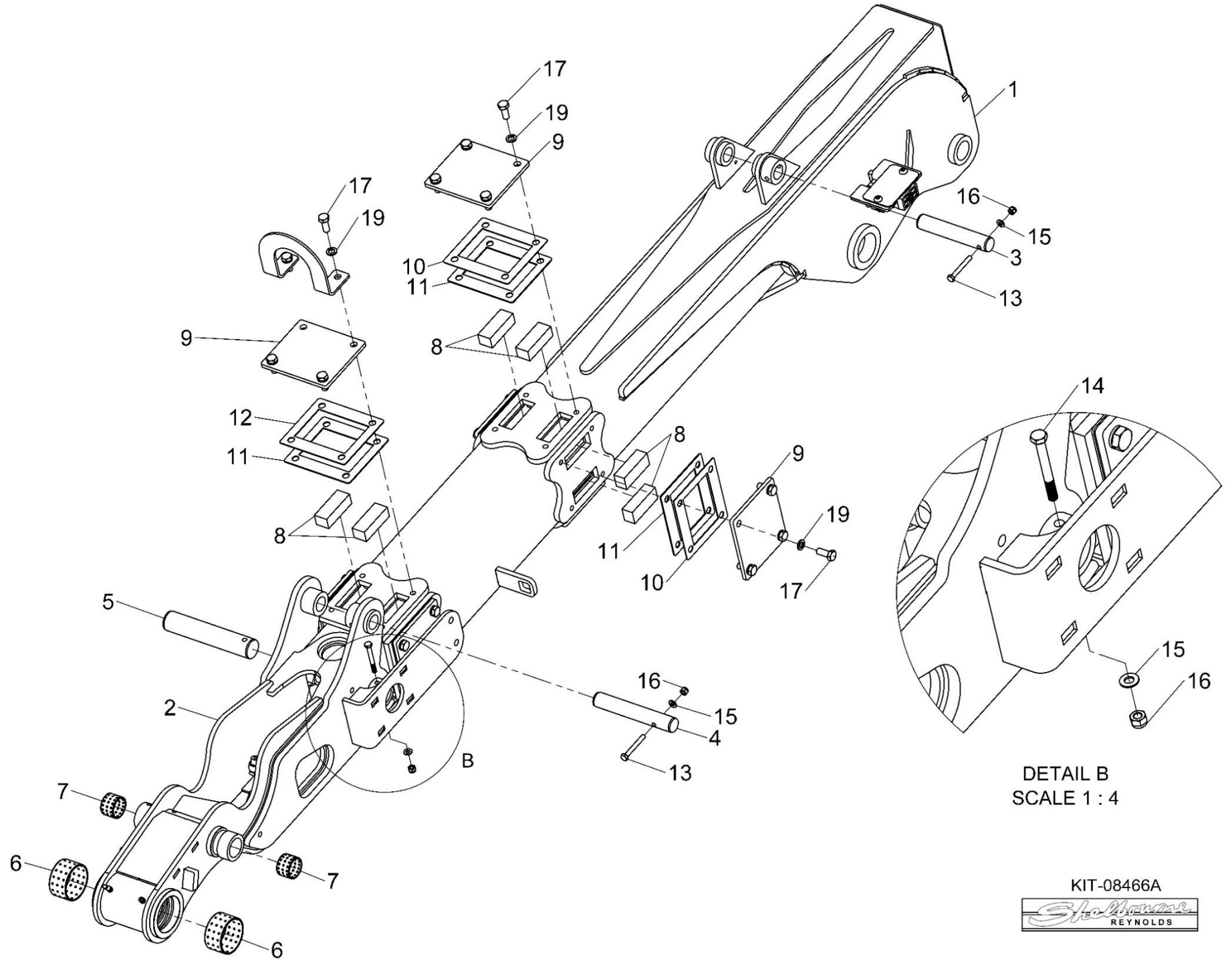


KIT-08466



**Shelbourne Reynolds Engineering Limited**

ASSY NUMBER: KIT-08466A				ASSY DESCRIPTION: 8060T OUTER BOOM SUB			
ITEM	PART NO	DESCRIPTION	QTY	ITEM	PART NO	DESCRIPTION	QTY
1	803785 01	6m TELE BEAM W/A	1				
2	804480 01	6m INTERNAL TELE BOOM	1				
3	800987 08	PIN	1				
4	800987 25	PIN	1				
5	802839 10	PIN	1				
6	BSH007071	BUSH 60LG 2023&ON	2				
OR	BSHO07062	BUSH 40LG UPTO 2023	2				
7	BSHO04056	BUSH 30LG	2				
8	803988 01	WEAR PAD	16				
9	803267 01	WEAR PLATE RETAINER	8				
10	806113 02	SHIM	6				
11	806113 01	SHIM	8				
12	806113 03	SHIM	6				
13	BLTA08410	HEX HEAD BOLT	2				
14	BLTA08440	HEX HEAD BOLT	1				
15	WSH-0012	PLAIN WASHER	3				
16	NUT-0263	NYLOC NUT	3				
17	HSS-0238	SET SCREW	30				
18	HSS-0241	SET SCREW	2				
19	WSH-0065	SPRING WASHER	32				



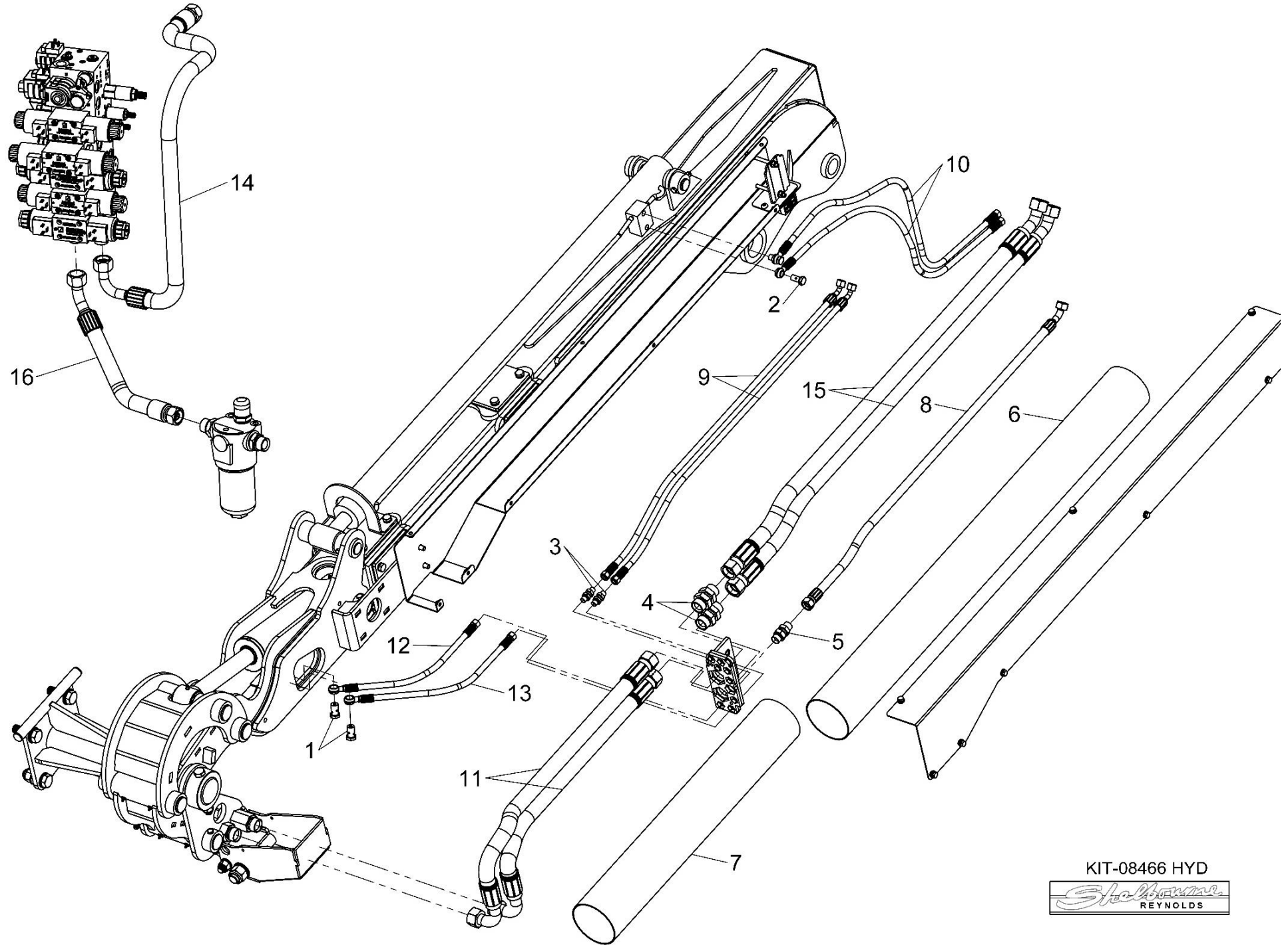
DETAIL B  
SCALE 1 : 4

KIT-08466A



**Shelbourne Reynolds Engineering Limited**

ASSY NUMBER: KIT-08466 HYD				ASSY DESCRIPTION: 8060T OUTER BOOM HYDRAULICS			
ITEM	PART NO	DESCRIPTION	QTY	ITEM	PART NO	DESCRIPTION	QTY
1	HFAW50005	BANJO BOLT & SEALS	2				
2	HFAW50003	BANJO BOLT & SEALS	2				
3	HBK-0010	BULKHEAD	2				
4	HAGAA0707	BULKHEAD	1				
5	HAGAA1313	BULKHEAD	2				
6	HHS-05020	HOSE SLEEVING	1.8m				
7	HHS-05010	HOSE SLEEVING	1.1m				
8	HHDF31005	HOSE	1				
9	HHDC31505	HOSE	2				
10	HHLC13105	HOSE	2				
11	HHBI09205	HOSE T80XX231722 & ON	2				
OR	HHBI09105	HOSE UPTO T80XX231722	2				
12	HHLC03905	HOSE	1				
13	HHLC04305	HOSE	1				
14	HHBH15505	HOSE	1				
15	HHDI29705	HOSE	2				
16	HHDH02505	HOSE T80XX231722 & ON	1				
OR	HHDH03205	HOSE UPTO T80XX231722	1				



KIT-08466 HYD

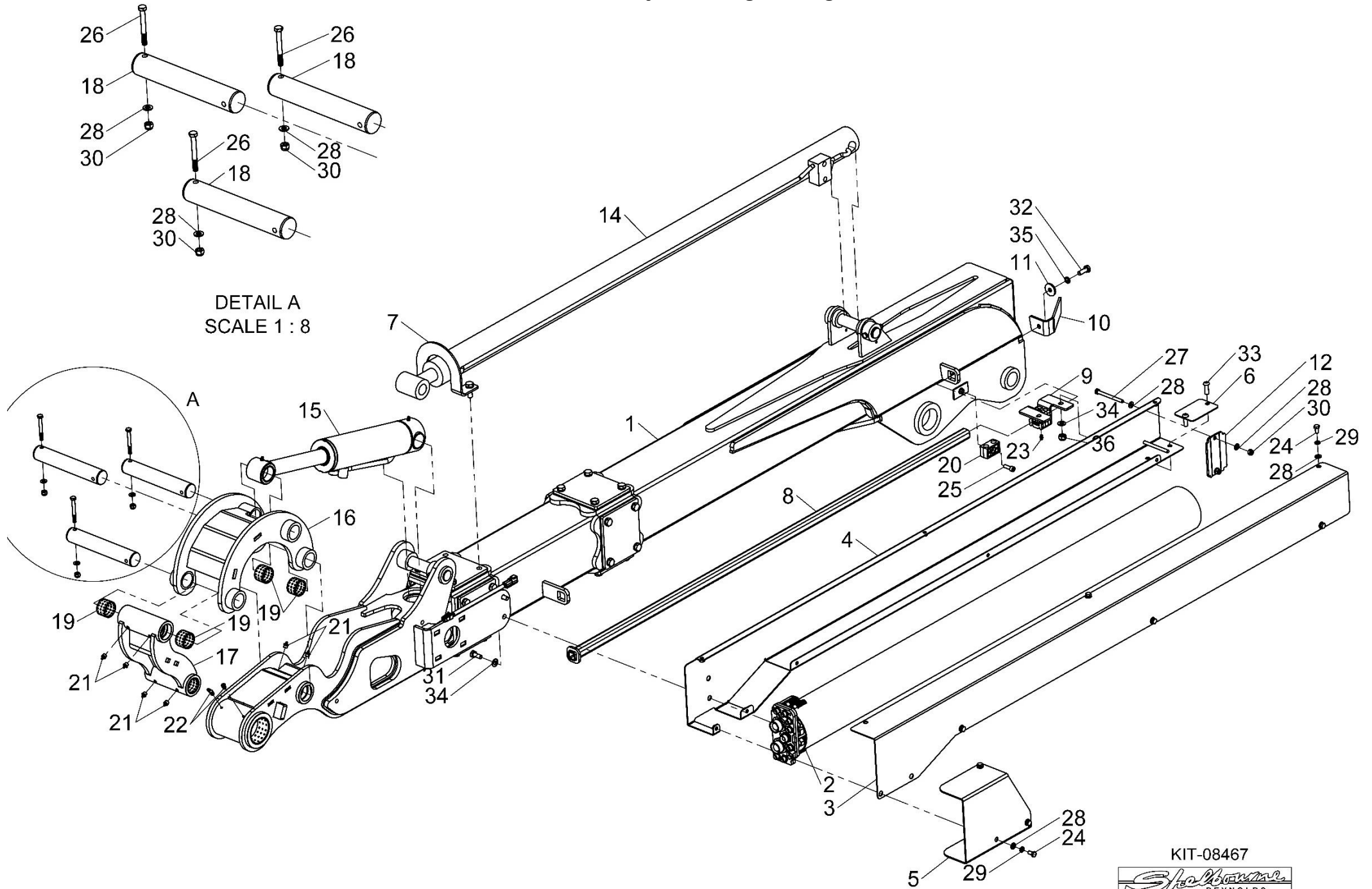


**Shelbourne Reynolds Engineering Limited**

ASSY NUMBER: KIT-08467				ASSY DESCRIPTION: 8070T OUTER BOOM KIT			
ITEM	PART NO	DESCRIPTION	QTY	ITEM	PART NO	DESCRIPTION	QTY
1	KIT-08467A	8070T OUTER BOOM SUB	1				
2	KIT-08467 HYD	8070T OUTER BOOM HYDRAULICS	1				
3	806841 01	OUTER HOSE GUARD (7m)	1				
4	806839 01	INNER HOSE GUARD WA (7m)	1				
5	806847 01	HOSE GUARD END COVER	1				
6	806857 01	HOSE COVER SPREADER PLATE	1				
7	803821 01	TELE RAM GUARD	1				
8	800994 02	SLIDE TUBE WA	1				
9	801459 01	SLIDING BOSS	1				
10	803820 01	HOSE GUIDE	1				
11	190119 09	WASHER	1				
12	806848 01	HOSE CLAMPING PLATE	1				
13	806836 01	BULKHEAD W/A	1				
14	801235 02	TELE RAM	1				
15	803623 01	HEAD ANG CYLINDER	1				
16	803643 01	CURVE LINK W/A	1				
17	803645 01	2ND CURVE LINK	1				
18	802839 08	PIN	3				
19	BSHO04056	BUSH	4				
20	HCPD01400	HYDRAULIC PIPE CLAMP	1				
21	NIP-0001	GREASE NIPPLE 2023&ON	6				
OR	NIP-01000	GREASE NIPPLE UPTO2023	6				
22	NIP-0203	GREASE NIPPLE 2023&ON	2				
OR	NIP-00610	GREASE NIPPLE UPTO2023	2				
23	NIP-00600	GREASE NIPPLE	1				
24	HSS-0135	HEX HD BOLT	8				
25	SCW-0136	CAP HD SCREW	1				
26	BLTA08440	HEX HD BOLT	3				
27	BLTA08500	HEX HD BOLT	2				
28	WSH-0012	PLAIN WASHER	15				
29	WSH-0058	SPRING WASHER	8				
30	NUT-0263	NYLOC NUT	5				
31	HSS-0191	HEX HD BOLT	2				
32	HSS-0194	HEX HD BOLT	1				
33	SCW-0516	BUTTON HD SCREW	2				
34	WSH-0015	PLAIN WASHER	4				
35	WSH-0061	SPRING WASHER	1				
36	NUT-0265	NYLOC NUT	2				

SEE SEPARATE WORD PAGES FOR  
KIT-08465A & KIT-08465 HYD  
KIT-08467A & KIT-08467 HYD



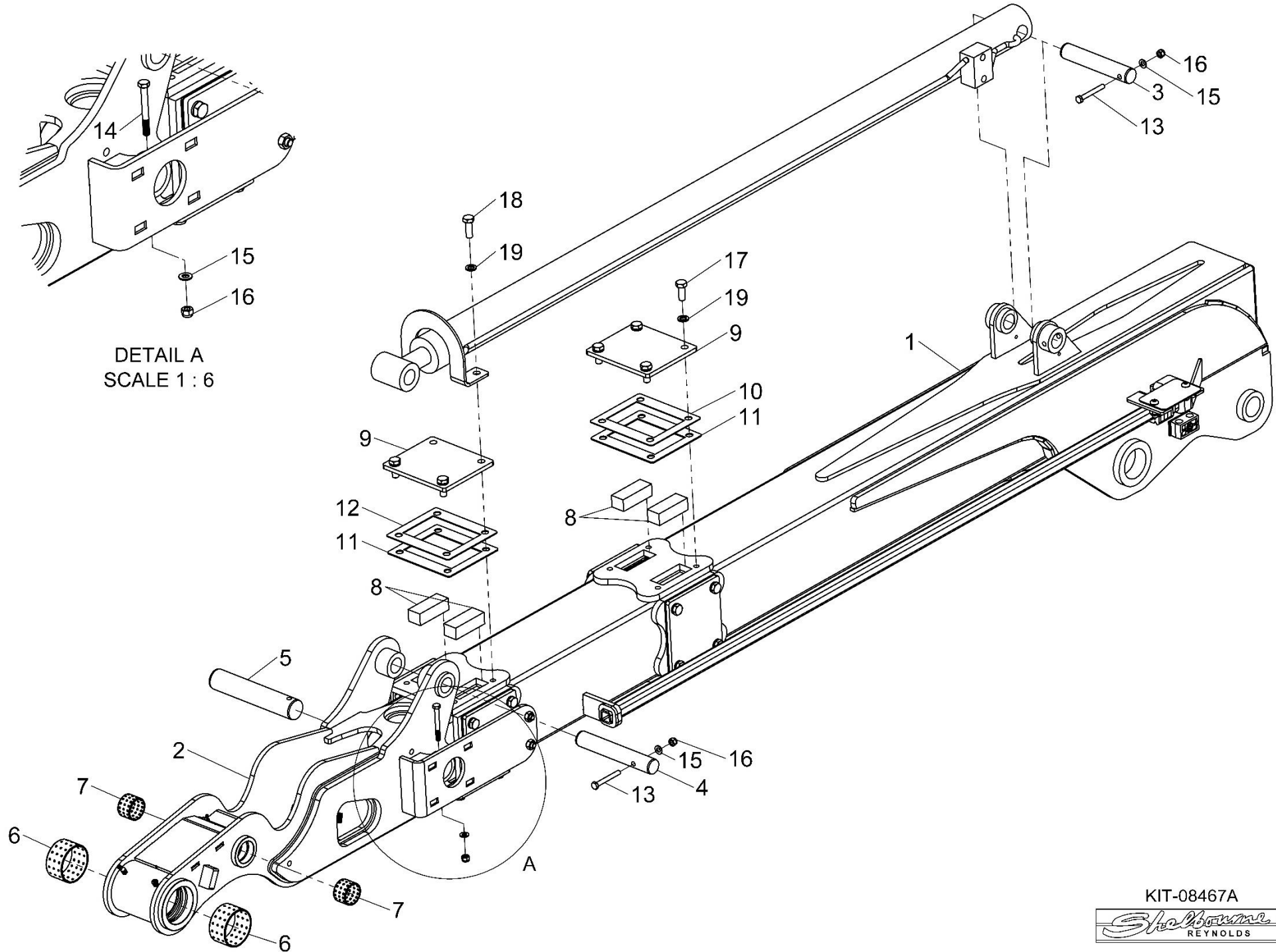


KIT-08467



**Shelbourne Reynolds Engineering Limited**

ASSY NUMBER: KIT-08467A				ASSY DESCRIPTION: 8070T OUTER BOOM SUB			
ITEM	PART NO	DESCRIPTION	QTY	ITEM	PART NO	DESCRIPTION	QTY
1	803785 02	7m TELE BEAM W/A	1				
2	804480 02	7m INTERNAL TELE BOOM	1				
3	800987 08	PIN	1				
4	800987 25	PIN	1				
5	802839 10	PIN	1				
6	BSH007071	BUSH 60LG 2023&ON	2				
OR	BSHO07062	BUSH 40LG UPTO 2023	2				
7	BSHO04056	WRAPPED BUSH	2				
8	803988 01	WEAR PAD	16				
9	803267 01	WEAR PLATE RETAINER	8				
10	806113 02	SHIM	6				
11	806113 01	SHIM	8				
12	806113 03	SHIM	6				
13	BLTA08410	HEX HEAD BOLT	2				
14	BLTA08440	HEX HEAD BOLT	1				
15	WSH-0012	PLAIN WASHER	3				
16	NUT-0263	NYLOC NUT	3				
17	HSS-0238	SET SCREW	30				
18	HSS-0241	SET SCREW	2				
19	WSH-0065	SPRING WASHER	32				

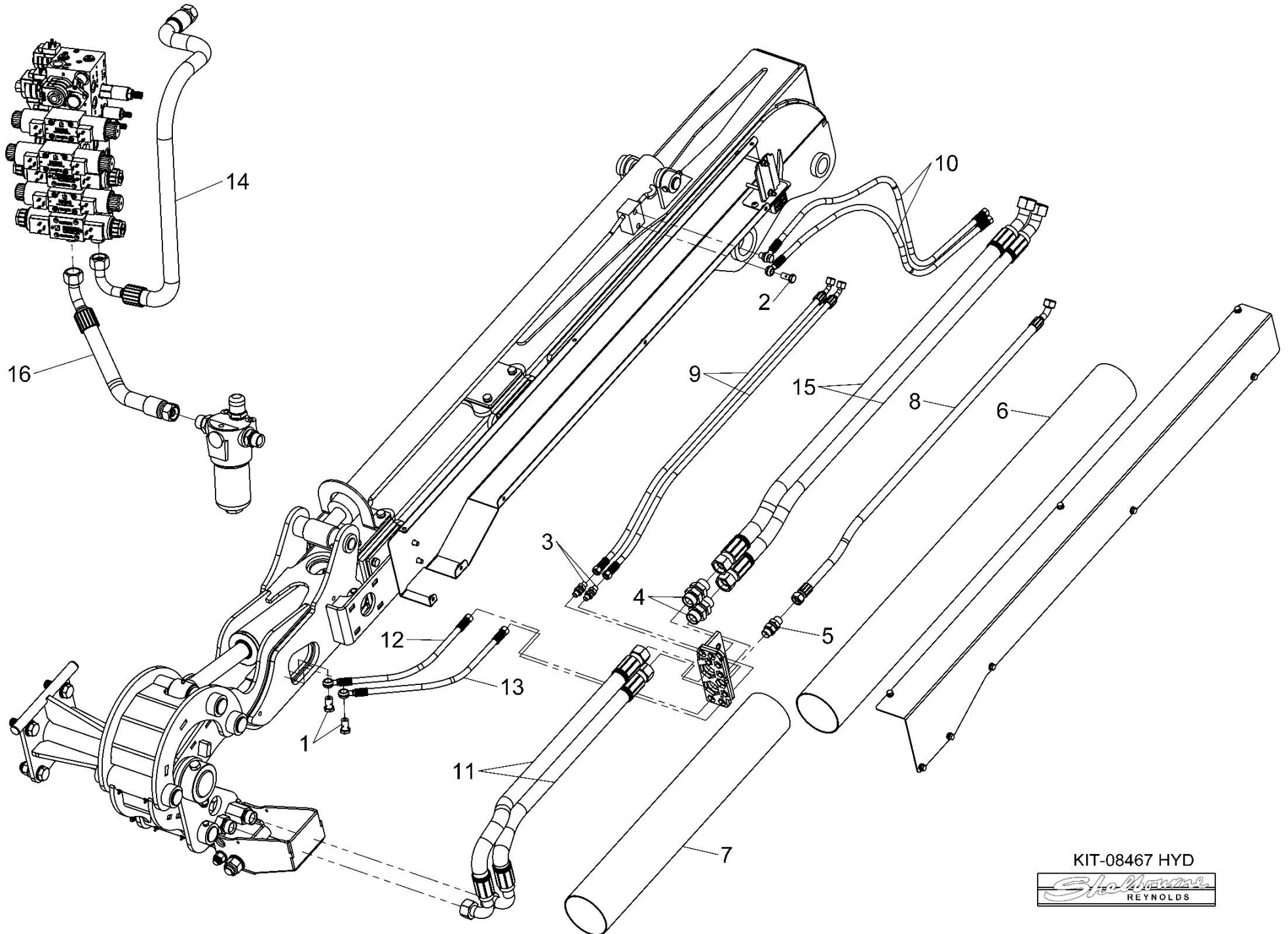


KIT-08467A



**Shelbourne Reynolds Engineering Limited**

ASSY NUMBER: KIT-08467 HYD				ASSY DESCRIPTION: 8070T OUTER BOOM HYDRAULICS			
ITEM	PART NO	DESCRIPTION	QTY	ITEM	PART NO	DESCRIPTION	QTY
1	HFAW50005	BANJO BOLT & SEALS	2				
2	HFAW50003	BANJO BOLT & SEALS	2				
3	HBK-0010	BULKHEAD	2				
4	HAGAA0707	BULKHEAD	1				
5	HAGAA1313	BULKHEAD	2				
6	HHS-05020	HOSE SLEEVING	2.1m				
7	HHS-05010	HOSE SLEEVING	1.1m				
8	HHDF37305	HOSE	1				
9	HHDC37805	HOSE	2				
10	HHLC13105	HOSE	2				
11	HHBI09205	HOSE T80XX231722 & ON	2				
OR	HHBI09105	HOSE UPTO T80XX231722	2				
12	HHLC03905	HOSE	1				
13	HHLC04305	HOSE	1				
14	HHBH15505	HOSE	1				
15	HHDI36505	HOSE	2				
16	HHDH02505	HOSE T80XX231722 & ON	1				
OR	HHDH03205	HOSE UPTO T80XX231722	1				

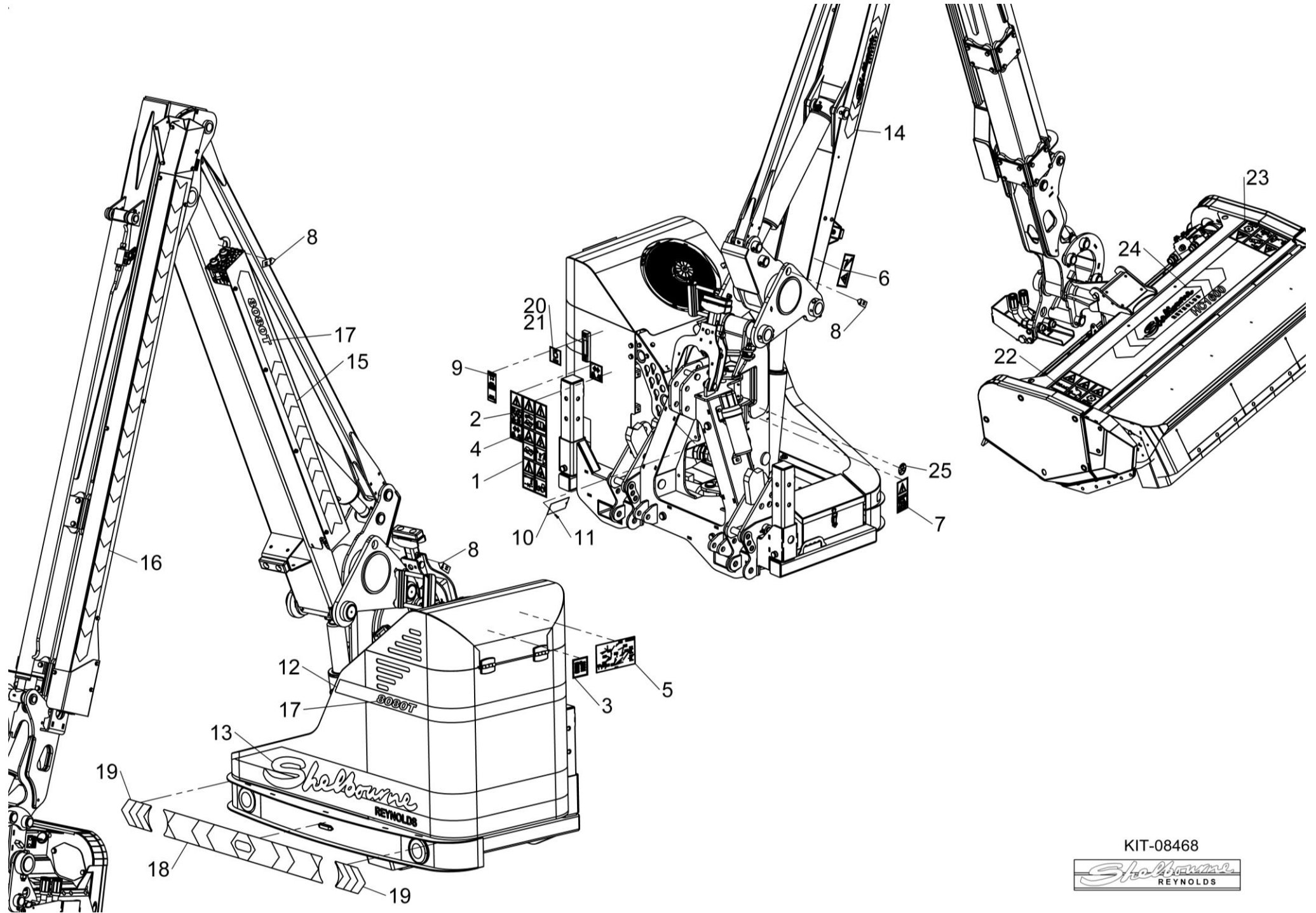


KIT-08467 HYD



**Shelbourne Reynolds Engineering Limited**

ASSY NUMBER: KIT-08468				ASSY DESCRIPTION: TRANSFER KIT 8000 TRIMMER			
ITEM	PART NO	DESCRIPTION	QTY	ITEM	PART NO	DESCRIPTION	QTY
1	805599 01	MULTI-TRANSFER	1				
2	801422 01	TRANSFER (ACCUMULATOR)	1				
3	800211 01	TRANSFER (CHANGE FILTER)	1				
4	800212 01	TRANSFER (CHECK CHAINS)	1				
5	804761 01	TRANSFER (LUBRICATION)	1				
6	210435 01	TRANSFER (LOCK CYLINDER)	1				
7	800878 01	TRANSFER (TRANSPORT MODE)	1				
8	190702 04	TRANSFER (SLING POINT)	4				
9	806835 01	CHECK OIL TRANSFER	1				
10	290526 01	SERIAL NO. PLATE	1				
11	POP-0006	POP RIVET (4.8x16)	2				
12	806796 01	TOP TANK STRAP	1				
13	806798 01	SHELBOURNE TRANSFER 8000	1				
14	806783 01	SHELBOURNE TRANSFER INNER	1				
15	806781 01	INNER BOOM CHEVRONS 6m	1				
OR	806812 01	INNER BOOM CHEVRONS 7m	1				
OR	806826 01	INNER BOOM CHEVRONS 8m	1				
16	806617 01	OUTER BOOM CHEVRONS 8065 VFRT	1				
OR	806614 01	OUTER BOOM CHEVRONS 8060T/75VFRT	1				
OR	806789 01	OUTER BOOM CHEVRONS 8070T	1				
OR	806824 01	OUTER BOOM CHEVRONS 8080T	1				
17	806784 01	ID TRANSFER 8060T	2				
OR	806784 02	ID TRANSFER 8070T	2				
OR	806784 03	ID TRANSFER 8080T	2				
OR	806785 01	ID TRANSFER 8065 VFRT	2				
OR	806787 01	ID TRANSFER 8075 VFRT	2				
18	806780 01	CENTRE CHEVRON TRANSFER	AR				
19	806611 01	OUTER CHEVRONS TRANSFER	AR				
20	590475 01	TRANSFER (PTO 540RPM) DRIVE KIT	AR				
21	590475 03	TRANSFER (PTO 800RPM) DRIVE KIT	AR				
22	805600 01	MULTI-TRANSFER	AR				
23	805601 01	MULTI-TRANSFER	AR				
24	806786 01	SHELBOURNE TRANSFER HEAD	AR				
25	TNF-0013	INSPECTION STICKER	1				



KIT-08468



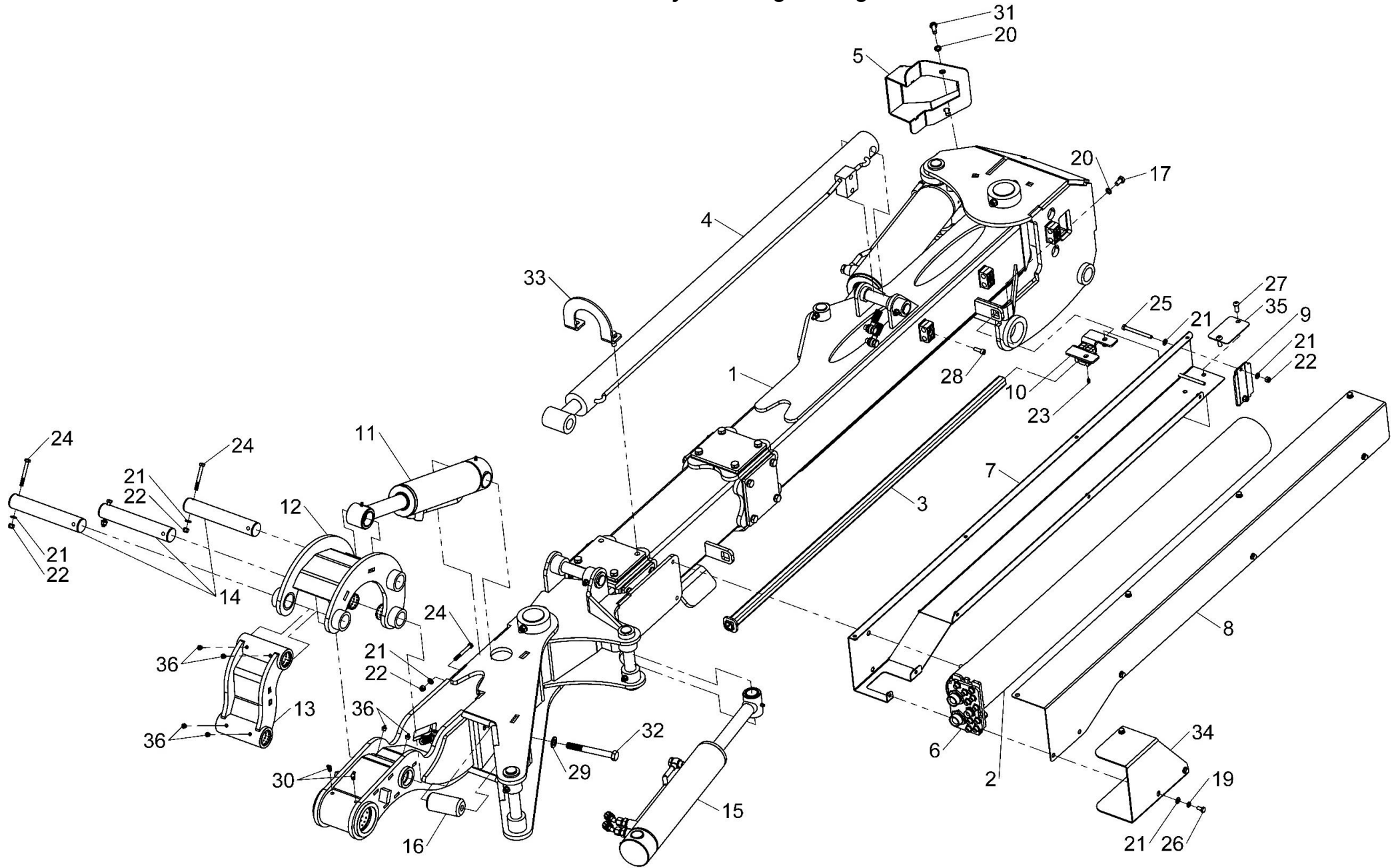
**Shelbourne Reynolds Engineering Limited**

ASSY NUMBER: KIT-08469				ASSY DESCRIPTION: 8075 VFRT OUTER BOOM KIT			
ITEM	PART NO	DESCRIPTION	QTY	ITEM	PART NO	DESCRIPTION	QTY
1	KIT-08469A	8075 VFRT OUTER BOOM SUB	1	37	BSHO04056	WRAPPED BUSH	4
2	KIT-08469 HYD	8075 VFRT OUTER BOOM	1				
3	800994 01	SLIDE TUBE WA	1				
4	801235 01	TELESCOPIC RAM	1				
5	806842 01	TOP COVER W/A	1				
6	806849 01	BULKHEAD W/A	1				
7	806876 01	7m VFRT HOSE GUARD WA	1				
8	806874 01	7m VFRT HOSE COVER	1				
9	806848 01	HOSE CLAMPING PLATE	1				
10	801459 01	SLIDING BOSS	1				
11	803623 01	HEAD ANGLE RAM	1				
12	803643 01	CURVE LINK W/A	1				
13	803645 01	2ND CURVE LINK	1				
14	802839 08	PIN	3				
15	803624 01	MASTER RAM	1				
16	803621 01	HOSE ROLLER	1				
17	HSS-0188	SET SCREW	1				
18							
19	WSH-0058	SPRING WASHER	9				
20	WSH-0061	SPRING WASHER	3				
21	WSH-0012	PLAIN WASHER	18				
22	NUT-0263	NYLOC NUT	12				
23	NIP-00600	GREASE NIPPLE	1				
24	BLTA08440	HEX HEAD BOLT	4				
25	BLTA08500	HEX HEAD BOLT	2				
26	HSS-0135	SETSCREW	9				
27	SCW-0514	BUTTON SKT HD SCREW	2				
28	SCW-0136	HT CAP HEAD SCREW	3				
29	WSH-0024	PLAIN WASHER	1				
30	NIP-0203	GREASE NIPPLE 2023 &ON	2				
OR	NIP-00610	GREASE NIPPLE UPTO 2023	2				
31	HSS-0194	SET SCREW	2				
32	BLTA16680	BOLT	1				
33	803403 01	TELE RAM RETAINING RING	1				
34	806851 01	COVER	1				
35	806857 01	HOSE COVER SPREADER PLATE	1				
36	NIP-0001	GREASE NIPPLE 2023&ON	6				
OR	NIP-01000	GREASE NIPPLE UPTO 2023	6				

SEE SEPARATE WORD PAGES FOR  
KIT-08469A & KIT-08469 HYD



Shelbourne Reynolds Engineering Limited

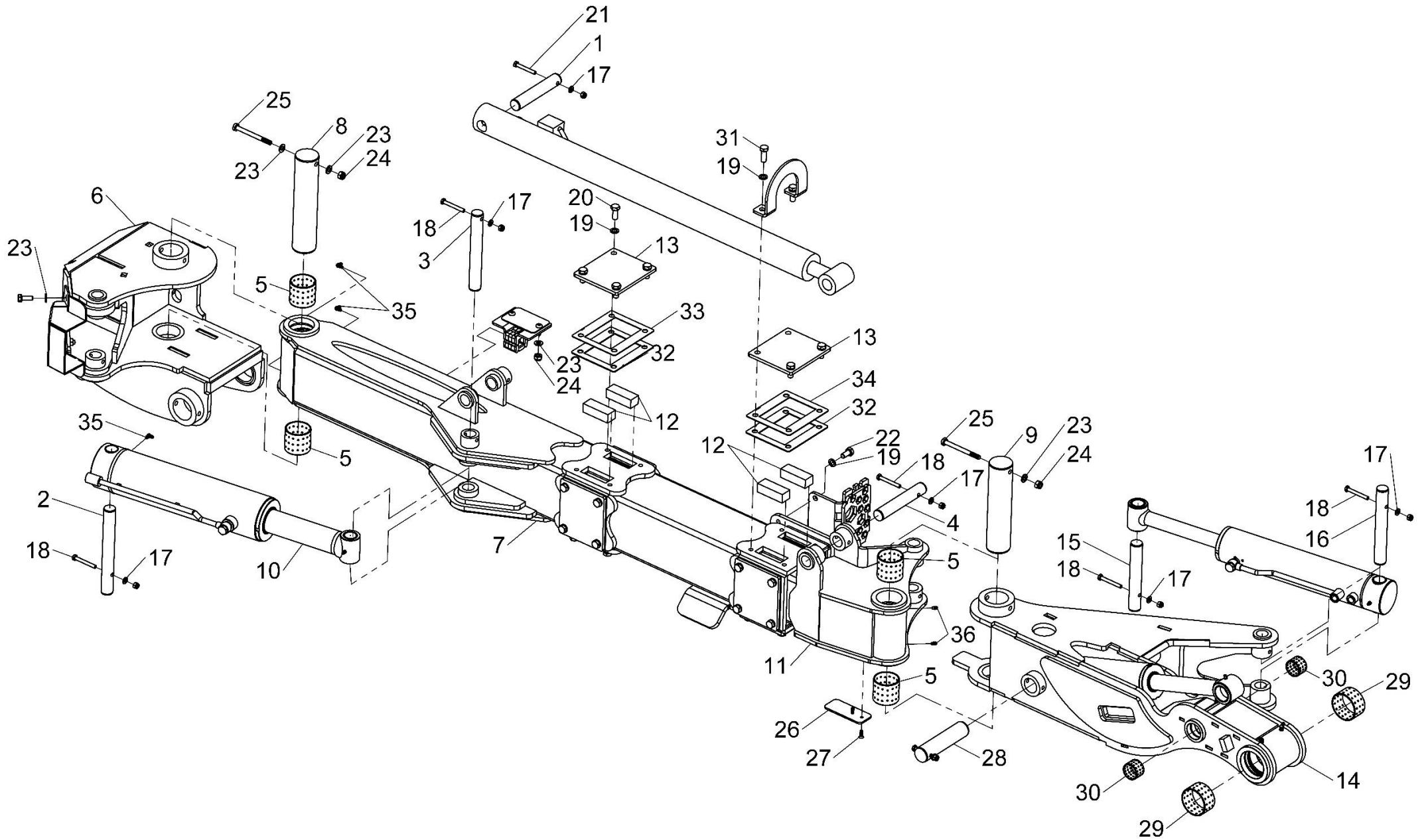


KIT-08469



**Shelbourne Reynolds Engineering Limited**

ASSY NUMBER: KIT-08469A				ASSY DESCRIPTION: 8075 VFRT OUTER BOOM SUB			
ITEM	PART NO	DESCRIPTION	QTY	ITEM	PART NO	DESCRIPTION	QTY
1	800987 08	PIN	1				
2	800987 33	PIN	1				
3	800987 32	PIN	1				
4	800987 22	BOOM PIN	1				
5	BSH006071	WRAPPED BUSH	4				
6	806817 01	TOP HEAD STOCK W/A	1				
7	806292 01	HD875 TOP TELE BOOM W/A	1				
8	803240 01	PIN	1				
9	803240 02	PIN	1				
10	803254 01	VFR SLAVE RAM	1				
11	803667 01	LOWER TELE BOOM 7m	1				
12	803988 01	WEAR PAD	16				
13	803267 01	WEAR PLATE RETAINER	8				
14	803636 01	LOWER ARM W/A	1				
15	800987 23	TELE BOOM PIN	1				
16	800101 27	PIN LIFT RAM	1				
17	WSH-0012	PLAIN WASHER	6				
18	BLTA08410	HEX HEAD BOLT	5				
19	WSH-0065	SPRING WASHER	34				
20	HSS-0238	SET SCREW	30				
21	BLTA08380	HEX HEAD BOLT	1				
22	HSS-0235	SET SCREW	2				
23	WSH-0015	PLAIN WASHER	7				
24	NUT-0265	NYLOC NUT	4				
25	BLTA10590	HEX HEAD BOLT	2				
26	803622 01	GUIDE PLATE	1				
27	SCW-1580	CSK SOCKET HD SCW	2				
28	802839 07	PIN	1				
29	BSH007071	BUSH 60LG 2023&ON	2				
OR	BSH007062	BUSH 40LG UPTO2023	2				
30	BSH004056	BUSH	2				
31	HSS-0241	SET SCREW	2				
32	806113 01	SHIM	8				
33	806113 02	SHIM	6				
34	806113 03	SHIM	6				
35	NIP-00605	GREASE NIPPLE	3				
36	NIP-00600	GREASE NIPPLE	2				

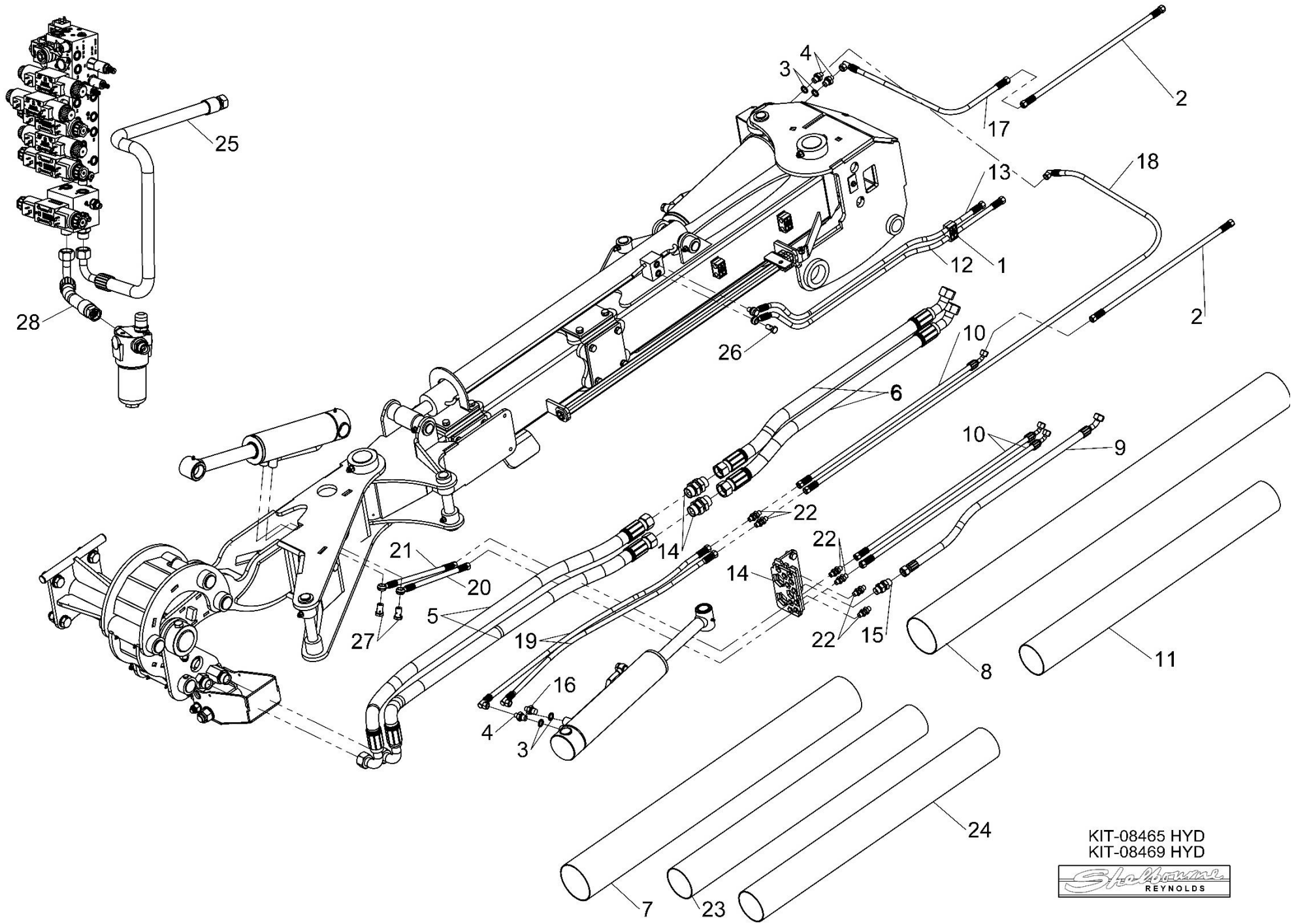


KIT-08465A  
KIT-08469A



**Shelbourne Reynolds Engineering Limited**

ASSY NUMBER: KIT-08469 HYD				ASSY DESCRIPTION: 8075 VFRT OUTER BOOM HYDRAULICS			
ITEM	PART NO	DESCRIPTION	QTY	ITEM	PART NO	DESCRIPTION	QTY
1	HCPD01400	HYDRAULIC PIPE	3				
2	HHAC34505	HOSE	2				
3	WSH-1010	DOWTY WASHER	4				
4	FIT-0025	ADAPTOR	3				
5	HHBI17305	HOSE T80XX231722 & ON	2				
OR	HHBI17205	HOSE UPTO T80XX231722	2				
6	HHDI34805	HOSE	2				
7	HHS-05010	HOSE SLEEVING	2.0m				
8	HHS-05020	SLEEVE	2.4m				
9	HHDF36305	HOSE	1				
10	HHDC35505	HOSE	3				
11	HHS-05005	HOSE SLEEVING	1.3m				
12	HHLC19105	HOSE	1				
13	HHLC18705	HOSE	1				
14	HAGAA1313	BULKHEAD ADAPTOR	2				
15	HAGAA0707	BULKHEAD ADAPTOR	1				
16	190859 01	ADAPTER	1				
17	HHCC13605	HOSE	1				
18	HHCC49005	HOSE	1				
19	HHCC10005	HOSE	2				
20	HHLC08905	HOSE	1				
21	HHLC09505	HOSE	1				
22	HBK-0010	BULKHEAD ADAPTER	6				
23	HHS-05005	HOSE SLEEVING	1m				
24	HHS-05005	HOSE SLEEVING	1m				
25	HHBH16005	HOSE	1				
26	HFAW50003	BANJO BOLT & SEALS	2				
27	HFAW50005	BANJO BOLT & SEALS	2				
28	HHBH01805	HOSE T80XX231722 & ON	1				
OR	HHBH02605	HOSE UPTO T80XX231722	1				

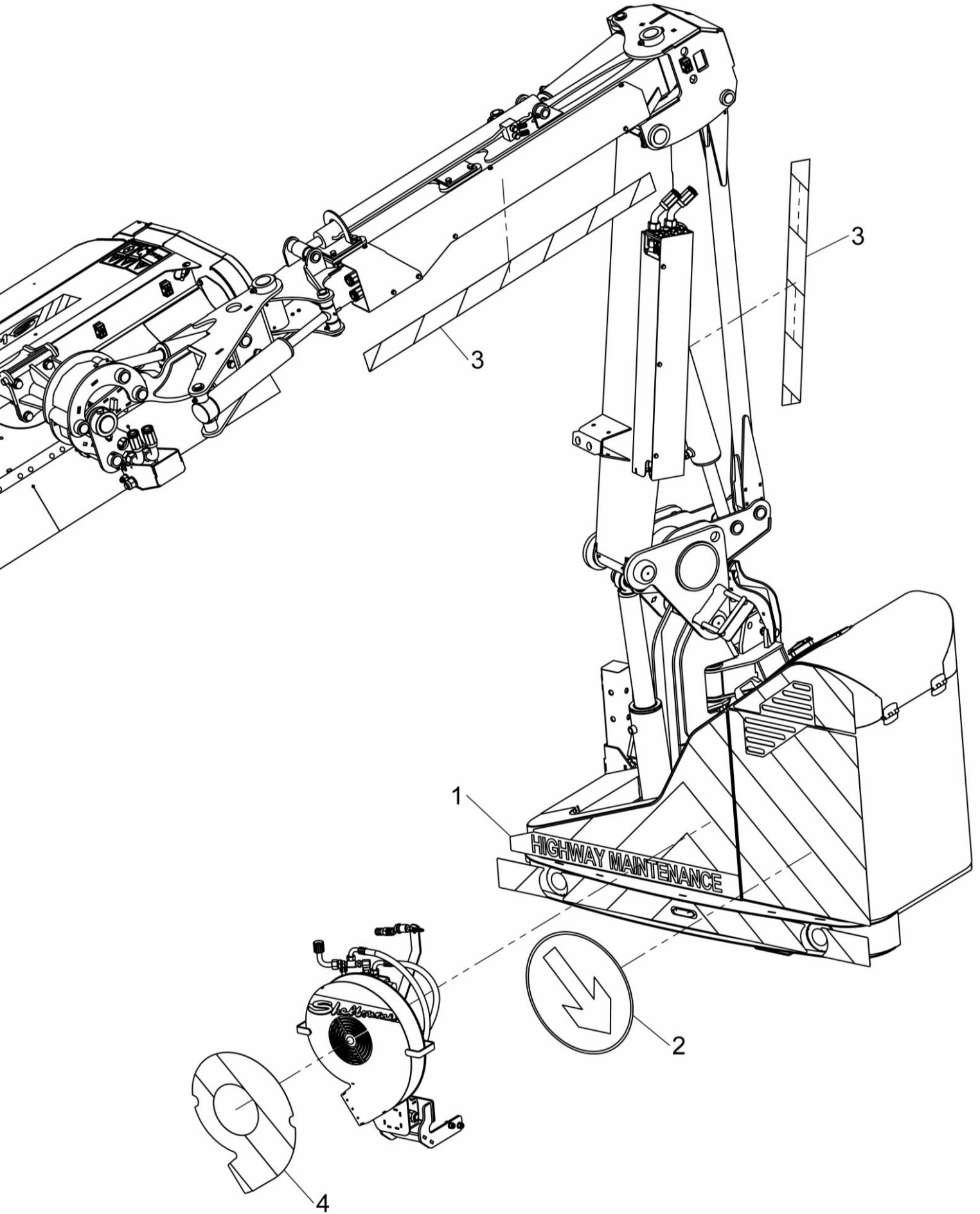


KIT-08465 HYD  
KIT-08469 HYD



**Shelbourne Reynolds Engineering Limited**

ASSY NUMBER: KIT-08470				ASSY DESCRIPTION: 8000 TRIMMER HIGHWAYS KIT			
ITEM	PART NO	DESCRIPTION	QTY	ITEM	PART NO	DESCRIPTION	QTY
1	806870 01	HIGHWAYS TRANSFER KIT	1				
2	801977 01	MAGNETIC ARROW	1				
3	806881 01	BOOM HIGHWAYS TRANSFER	2				



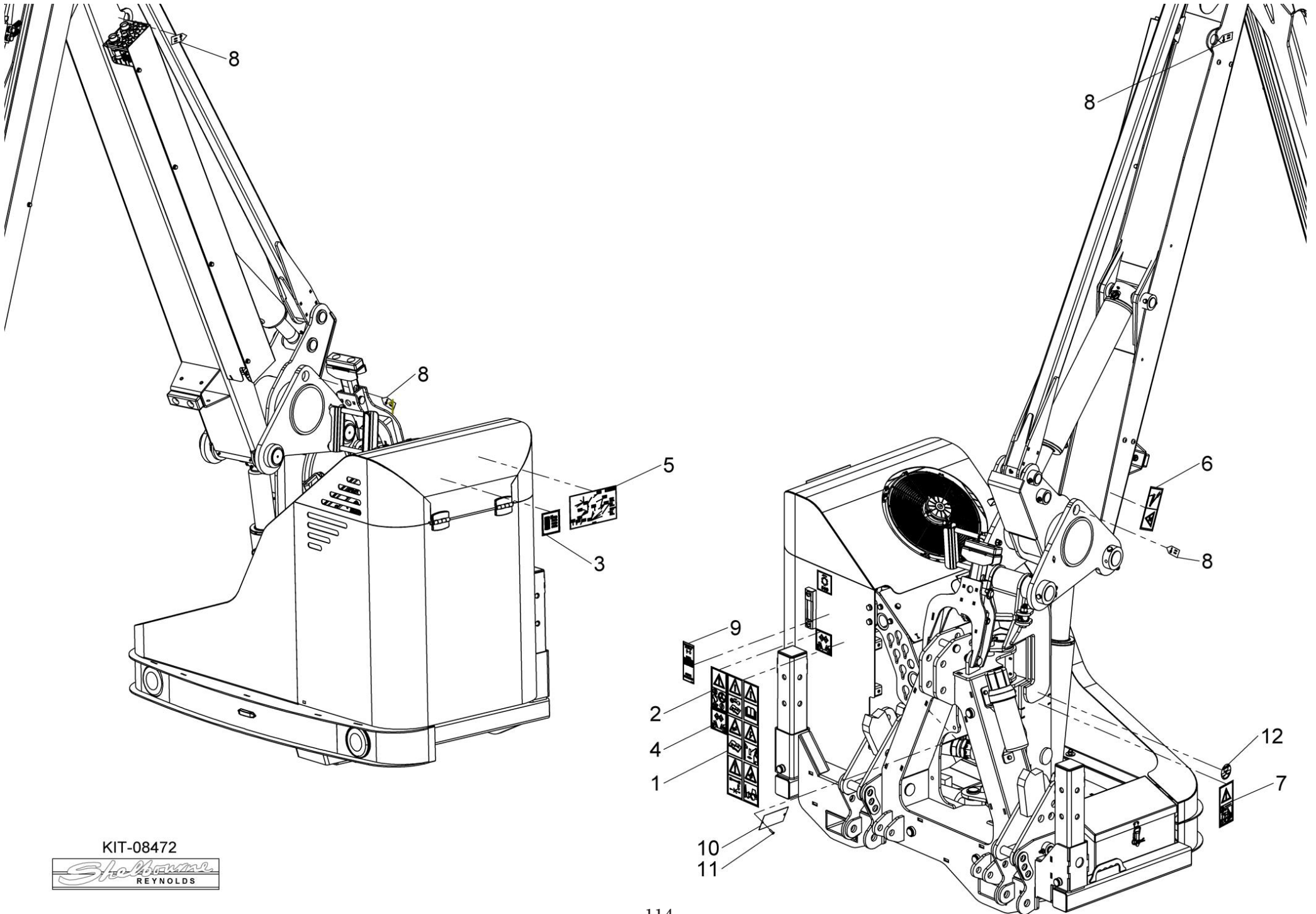
KIT-08470  
KIT-08470A



**Shelbourne Reynolds Engineering Limited**

ASSY NUMBER: KIT-08472				ASSY DESCRIPTION: SAFETY DECAL ONLY TRANSFER KIT			
ITEM	PART NO	DESCRIPTION	QTY	ITEM	PART NO	DESCRIPTION	QTY
1	805599 01	MULTI-TRANSFER	1				
2	801422 01	TRANSFER (ACCUMULATOR)	1				
3	800211 01	TRANSFER (CHANGE FILTER)	1				
4	800212 01	TRANSFER (CHECK CHAINS)	1				
5	804761 01	TRANSFER (LUBRICATION)	1				
6	210435 01	TRANSFER (LOCK CYLINDER)	1				
7	800878 01	TRANSFER (TRANSPORT MODE)	1				
8	190702 04	TRANSFER (SLING POINT)	4				
9	806835 01	CHECK OIL TRANSFER	1				
10	290526 01	SERIAL NO. PLATE	1				
11	POP-0006	POP RIVET (4.8x16)	2				
12	TNF-0013	INSPECTION STICKER	1				



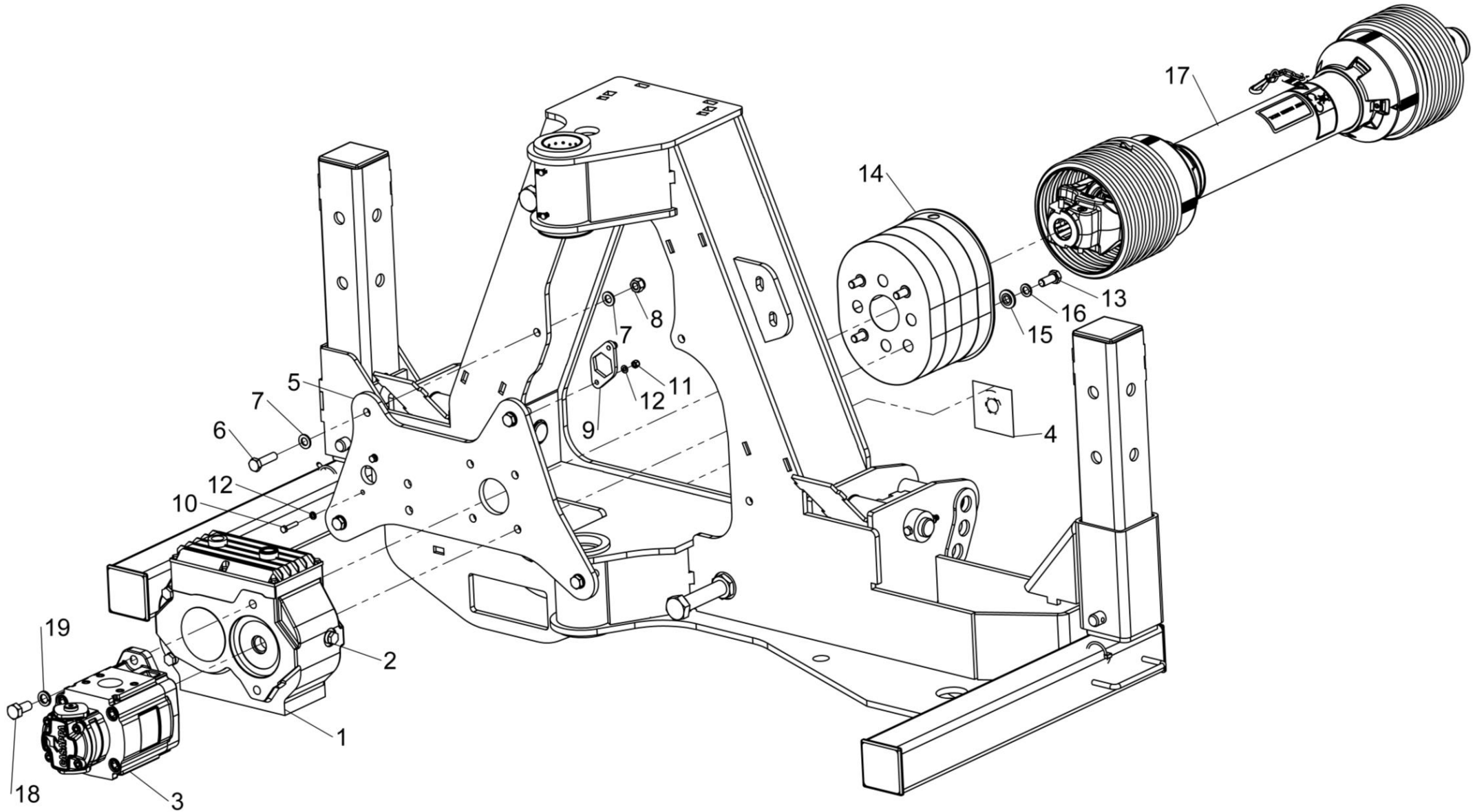


KIT-08472



**Shelbourne Reynolds Engineering Limited**

ASSY NUMBER: KIT-08474				ASSY DESCRIPTION: STANDARD DRIVE KIT 8000			
ITEM	PART NO	DESCRIPTION	QTY	ITEM	PART NO	DESCRIPTION	QTY
1	GEA-0183	GEARBOX	1				
2	OIL-	GEARBOX OIL	1.75L				
3	PUM090720	TANDEM PUMP	1				
4	590475 01	TRANSFER 540RPM	1				
5	806922 01	GEARBOX MOUNTING PLATE	1				
6	BLTA12290	BOLT	3				
7	WSH-0018	WASHER	7				
8	NUT-0269	NYLOC NUT	4				
9	804647 01	RETAINING RING	1				
10	HSS-0092	SETSCREW	2				
11	NUT-0260	NYLOC NUT	2				
12	WSH-0009	WASHER	4				
13	HSS-0238	SETSCREW	4				
14	PTO-00903	PTO CONE	1				
15	800407 01	SPACER-GEARBOX MOUNT.	4				
16	WSH-0065	SPRING WASHER	4				
17	PTO-37000	PTO SHAFT	1				
18	HSSA14200	SETSCREW	2				
19	WSHA15141	SPRING WASHER	2				

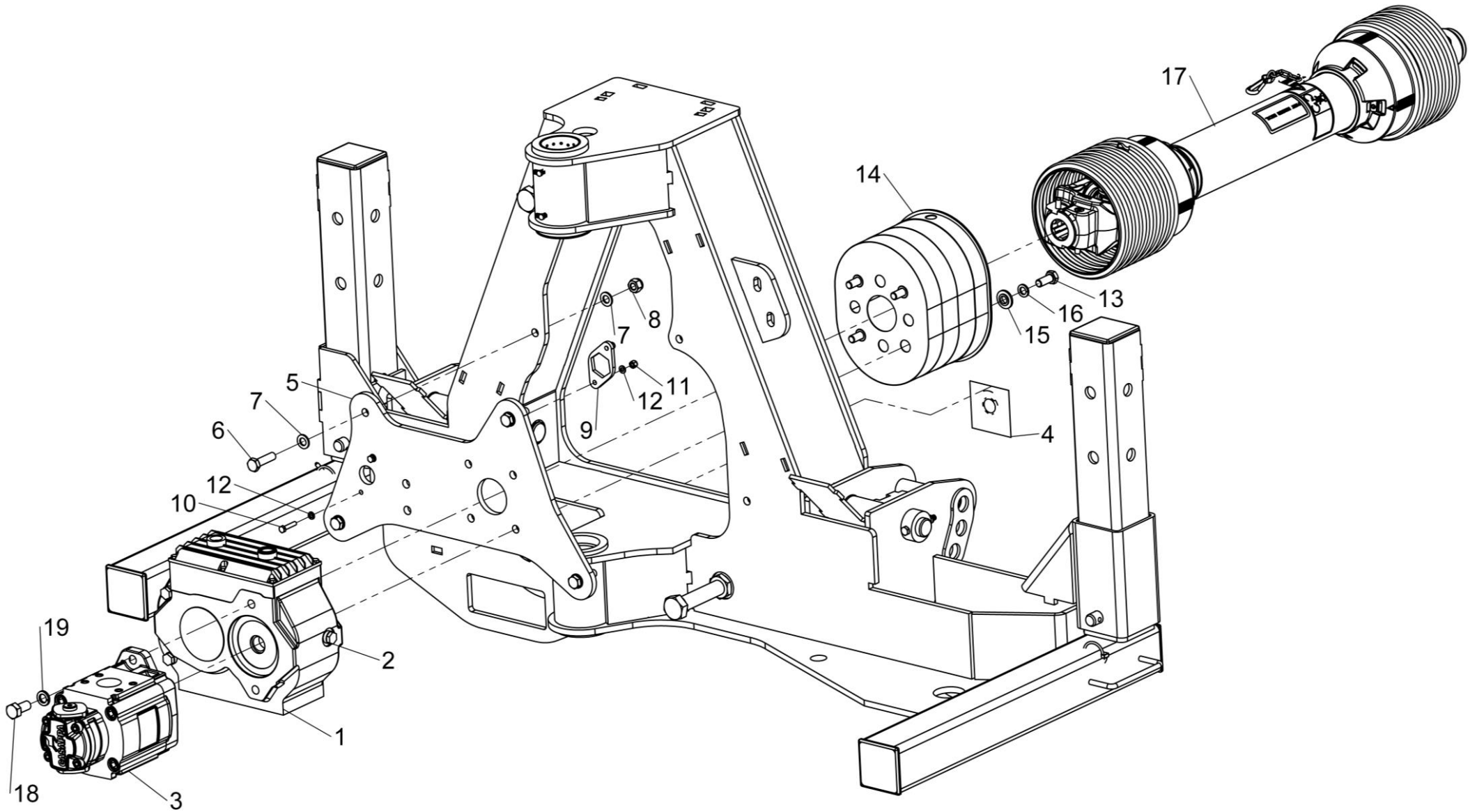


KIT-08474



**Shelbourne Reynolds Engineering Limited**

ASSY NUMBER: KIT-08479				ASSY DESCRIPTION: HIGHER POWER DRIVE KIT (800 RPM) 8000			
ITEM	PART NO	DESCRIPTION	QTY	ITEM	PART NO	DESCRIPTION	QTY
1	GEA-0183	GEARBOX	1				
2	OIL-	GEARBOX OIL	1.75L				
3	PUM090570	TANDEM PUMP	1				
4	590475 03	TRANSFER 800RPM	1				
5	806922 01	GEARBOX PLATE W/A	1				
6	BLTA12290	BOLT	3				
7	WSH-0018	WASHER	7				
8	NUT-0269	NYLOC NUT	4				
9	804647 01	RETAINING RING	1				
10	HSS-0092	SETSCREW	2				
11	NUT-0260	NYLOC NUT	2				
12	WSH-0009	WASHER	4				
13	HSS-0238	SETSCREW	4				
14	PTO-00903	PTO CONE	1				
15	800407 01	SPACER-GEARBOX MOUNT.	4				
16	WSH-0065	SPRING WASHER	4				
17	PTO-37000	PTO SHAFT	1				
18	HSSA14200	SETSCREW	2				
19	WSHA15141	SPRING WASHER	2				



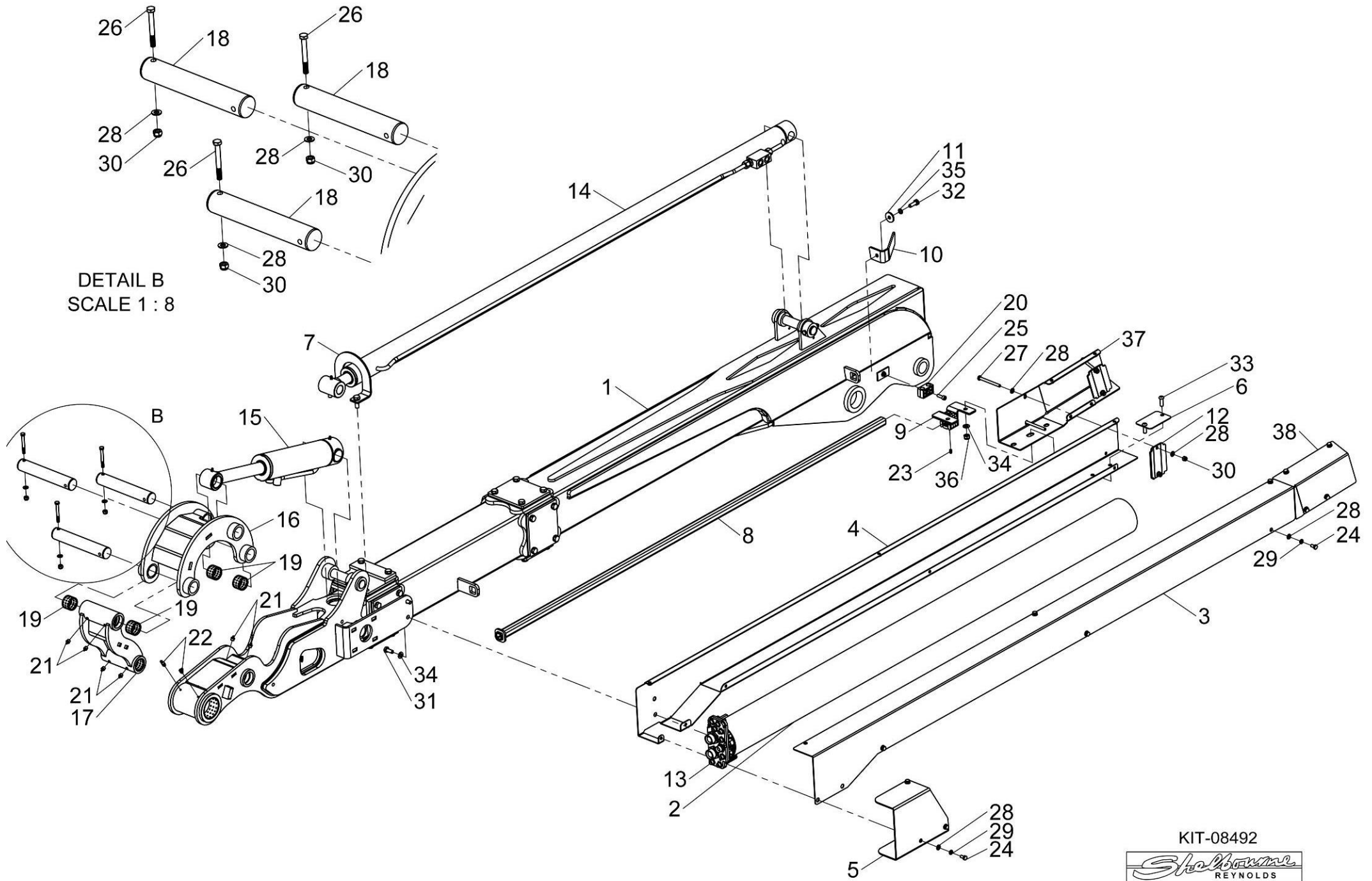
KIT-08479



### Shelbourne Reynolds Engineering Limited

ASSY NUMBER: KIT-08492				ASSY DESCRIPTION: 8080T OUTER BOOM KIT			
ITEM	PART NO	DESCRIPTION	QTY	ITEM	PART NO	DESCRIPTION	QTY
1	KIT-08492A	8080T OUTER BOOM SUB	1				
2	KIT-08492 HYD	8080T OUTER BOOM HYDRAULICS	1				
3	807002 01	OUTER HOSE GUARD (8m)	1				
4	807000 01	INNER HOSE GUARD WA (8m)	1				
5	806847 01	HOSE GUARD END COVER	1				
6	806857 01	HOSE COVER SPREADER PLATE	1				
7	803821 01	TELE RAM GUARD	1				
8	800994 07	SLIDE TUBE WA	1				
9	801459 01	SLIDING BOSS	1				
10	803820 01	HOSE GUIDE	1				
11	190119 09	WASHER	1				
12	806848 01	HOSE CLAMPING PLATE	2				
13	806836 01	BULKHEAD W/A	1				
14	802813 01	TELE RAM	1				
15	803623 01	HEAD ANG CYLINDER	1				
16	803643 01	CURVE LINK W/A	1				
17	803645 01	2ND CURVE LINK	1				
18	802839 08	PIN	3				
19	BSHO04056	BUSH	4				
20	HCPD01400	HYDRAULIC PIPE CLAMP	1				
21	NIP-0001	GREASE NIPPLE 2023&ON	6				
OR	NIP-01000	GREASE NIPPLE UPTO2023	6				
22	NIP-0203	GREASE NIPPLE 2023&ON	2				
OR	NIP-00610	GREASE NIPPLE UPTO2023	2				
23	NIP-00600	GREASE NIPPLE	1				
24	HSS-0135	HEX HD BOLT	12				
25	SCW-0136	CAP HD SCREW	1				
26	BLTA08440	HEX HD BOLT	3				
27	BLTA08500	HEX HD BOLT	4				
28	WSH-0012	PLAIN WASHER	23				
29	WSH-0058	SPRING WASHER	12				
30	NUT-0263	NYLOC NUT	7				
31	HSS-0191	HEX HD BOLT	2				
32	HSS-0194	HEX HD BOLT	1				
33	SCW-0516	BUTTON HD SCREW	2				
34	WSH-0015	PLAIN WASHER	4				
35	WSH-0061	SPRING WASHER	1				
36	NUT-0265	NYLOC NUT	2				

SEE SEPARATE WORD PAGES FOR  
KIT-08465A & KIT-08465 HYD  
KIT-08492A & KIT-08492 HYD



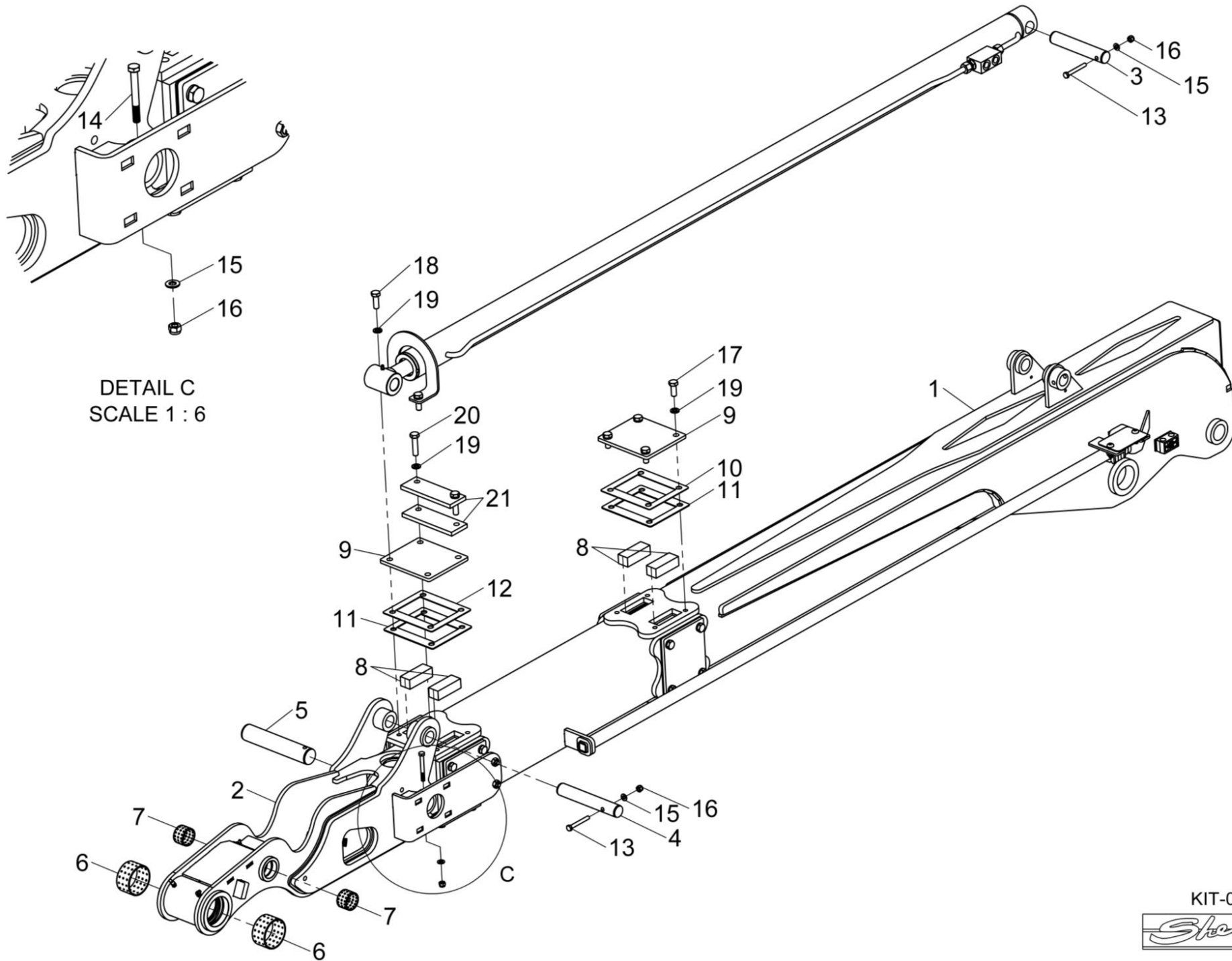
KIT-08492



**Shelbourne Reynolds Engineering Limited**

ASSY NUMBER: KIT-08492A				ASSY DESCRIPTION: 8080T OUTER BOOM SUB			
ITEM	PART NO	DESCRIPTION	QTY	ITEM	PART NO	DESCRIPTION	QTY
1	803785 03	8m TELE BEAM W/A	1				
2	804480 03	8m INTERNAL TELE BOOM	1				
3	800987 08	PIN	1				
4	800987 25	PIN	1				
5	802839 10	PIN	1				
6	BSH007071	BUSH 60LG 2023&ON	2				
OR	BSH007062	BUSH 40LG UPTO 2023	2				
7	BSH004056	WRAPPED BUSH	2				
8	803988 01	WEAR PAD	16				
9	803267 01	WEAR PLATE RETAINER	8				
10	806113 02	SHIM	6				
11	806113 01	SHIM	8				
12	806113 03	SHIM	6				
13	BLTA08410	HEX HEAD BOLT	2				
14	BLTA08440	HEX HEAD BOLT	1				
15	WSH-0012	PLAIN WASHER	3				
16	NUT-0263	NYLOC NUT	3				
17	HSS-0238	SET SCREW	28				
18	HSS-0241	SET SCREW	2				
19	WSH-0065	SPRING WASHER	32				
20	HSS-0260	SET SCREW	2				
21	804669 01	GUIDE	2				



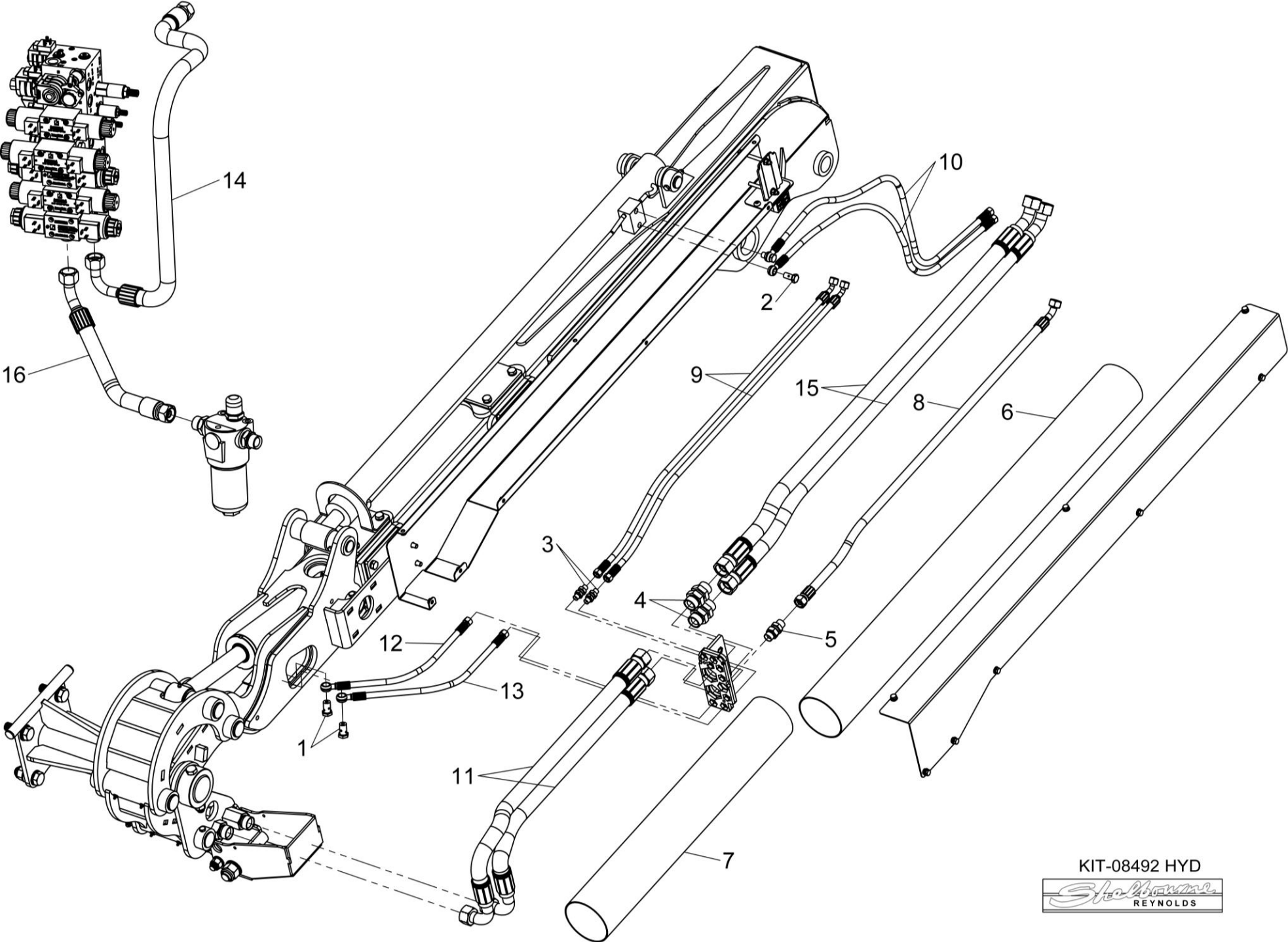


KIT-08492A



**Shelbourne Reynolds Engineering Limited**

ASSY NUMBER: KIT-08492 HYD				ASSY DESCRIPTION: 8080T OUTER BOOM HYDRAULICS			
ITEM	PART NO	DESCRIPTION	QTY	ITEM	PART NO	DESCRIPTION	QTY
1	HFAW50005	BANJO BOLT & SEALS	2				
2	HFAW50003	BANJO BOLT & SEALS	2				
3	HBK-0010	BULKHEAD	2				
4	HAGAA0707	BULKHEAD	1				
5	HAGAA1313	BULKHEAD	2				
6	HHS-05020	HOSE SLEEVING	2.6m				
7	HHS-05010	HOSE SLEEVING	1.1m				
8	HHDF45905	HOSE	1				
9	HHDC46005	HOSE	2				
10	HHLC13105	HOSE	2				
11	HHBI09205	HOSE T80XX231722 & ON	2				
OR	HHBI09105	HOSE UPTO T80XX231722	2				
12	HHLC03905	HOSE	1				
13	HHLC04305	HOSE	1				
14	HHBH15505	HOSE	1				
15	HHDI44605	HOSE	2				
16	HHDH02505	HOSE T80XX231722 & ON	1				
OR	HHDH03205	HOSE UPTO T80XX231722	1				

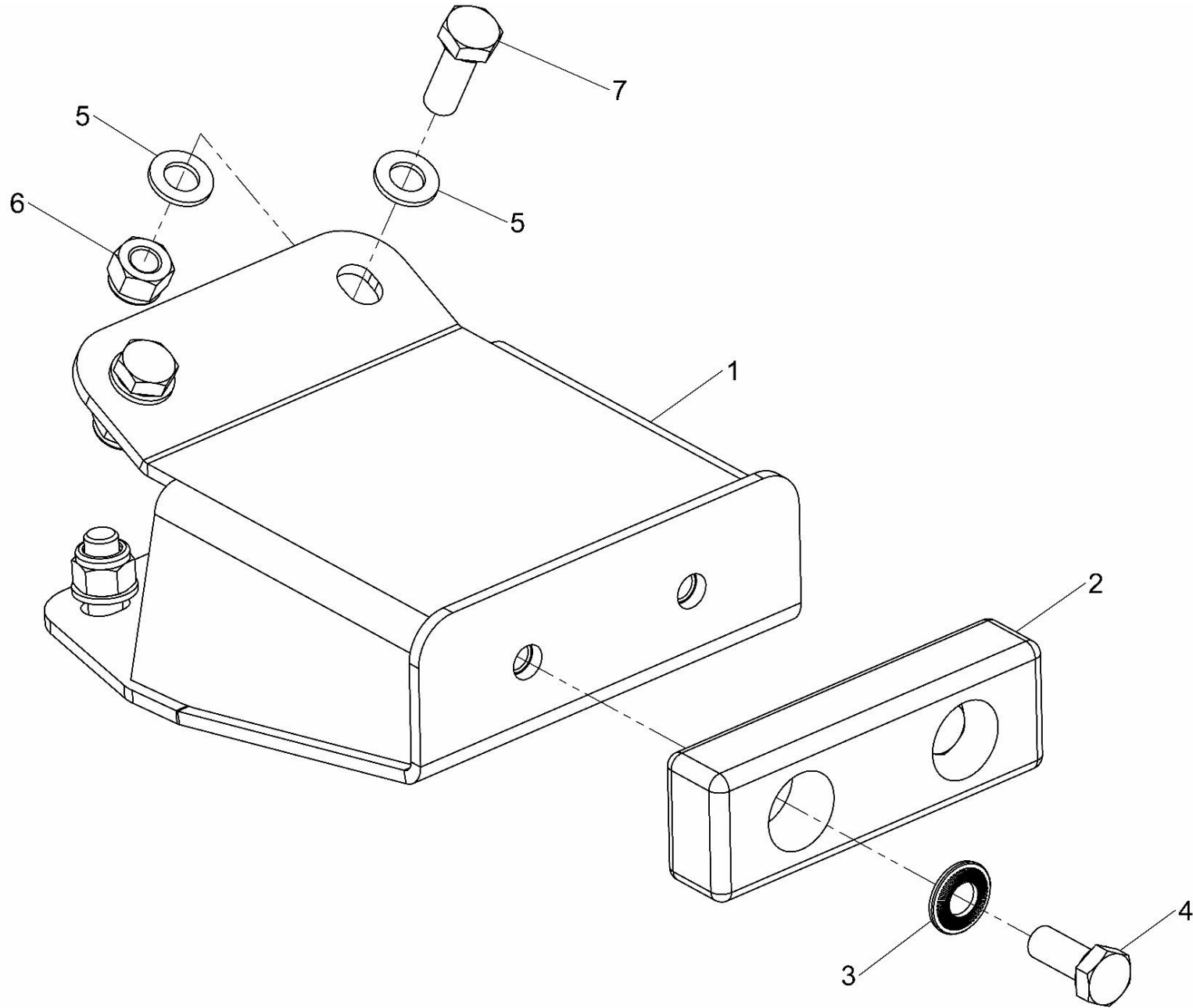


KIT-08492 HYD



**Shelbourne Reynolds Engineering Limited**

ASSY NUMBER: KIT-08495				ASSY DESCRIPTION: 150mm BUMP STOP KIT			
ITEM	PART NO	DESCRIPTION	QTY	ITEM	PART NO	DESCRIPTION	QTY
1	807035 01	150mm BUMP STOP W/A	1				
2							
3							
4							
5	WSH-0018	PLAIN WASHER	8				
6	NUT-0269	NYLOC NUT	4				
7	HSS-0241	SETSCRE	4				

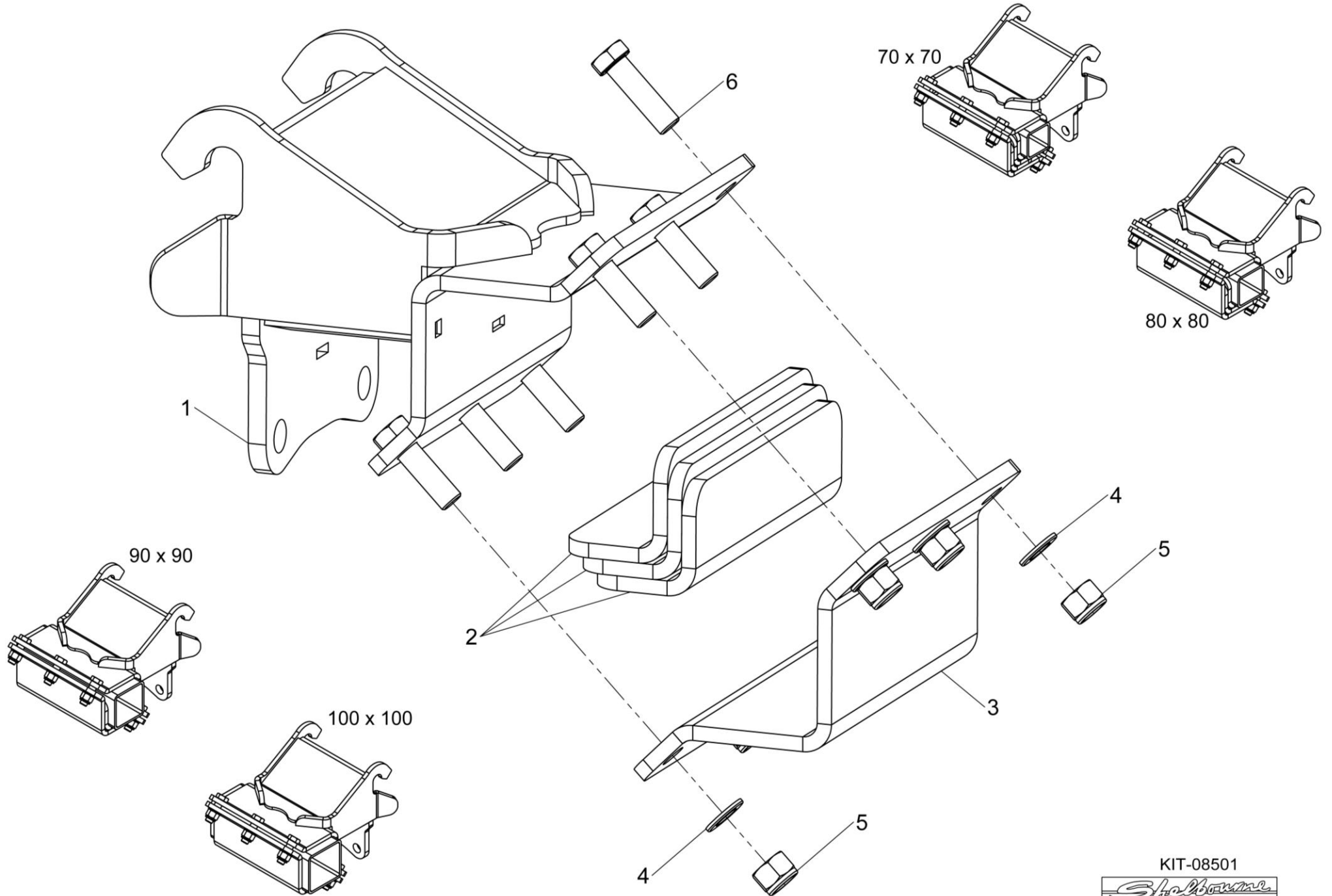


KIT-08495



**Shelbourne Reynolds Engineering Limited**

ASSY NUMBER: KIT-08501				ASSY DESCRIPTION: UNIVERSAL HEAD BRACKET KIT (GP & HC HEAD)			
ITEM	PART NO	DESCRIPTION	QTY	ITEM	PART NO	DESCRIPTION	QTY
1	807119 01	HEAD BRACKET W/A	1				
2	807123 01	PACKER PLATE	3				
3	807124 01	BOX CLAMPING PLATE	1				
4	WSH-0024	WASHER	6				
5	NUT-0271	NYLOC NUT	6				
6	HSS-0319	HEX HD BOLT	6				
					TO SUIT BOX SIZE		
					100 x 100		
					90 x 90		
					80 x 80		
					70 x 70		



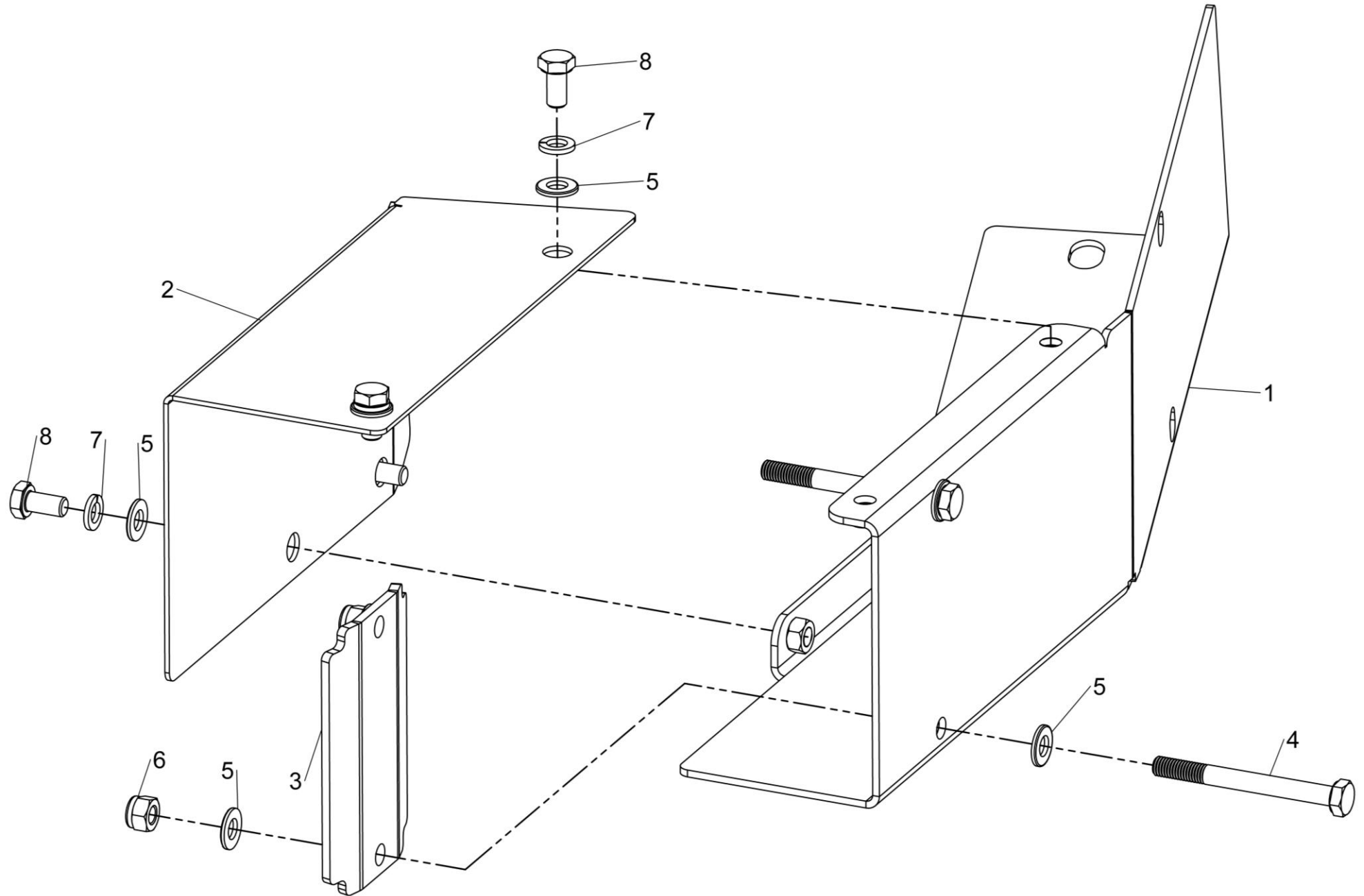
KIT-08501



**Shelbourne Reynolds Engineering Limited**

ASSY NUMBER: KIT-08506				ASSY DESCRIPTION: HOSE SUPPORT KIT (8000 OUTER BM'S)			
ITEM	PART NO	DESCRIPTION	QTY	ITEM	PART NO	DESCRIPTION	QTY
1	807009 01	SUPPORT BRACKET W/A	1				
2	807005 01	SUPPORT COVER	1				
3	806848 01	HOSE CLAMPING PLATE	1				
4	BLTA08530	BOLT	2				
5	WSH-0012	PLAIN WASHER	8				
6	NUT-0263	NYLOC NUT	2				
7	WSH-0058	SPRING WASHER	4				
8	HSS-0135	SETSCREW	4				



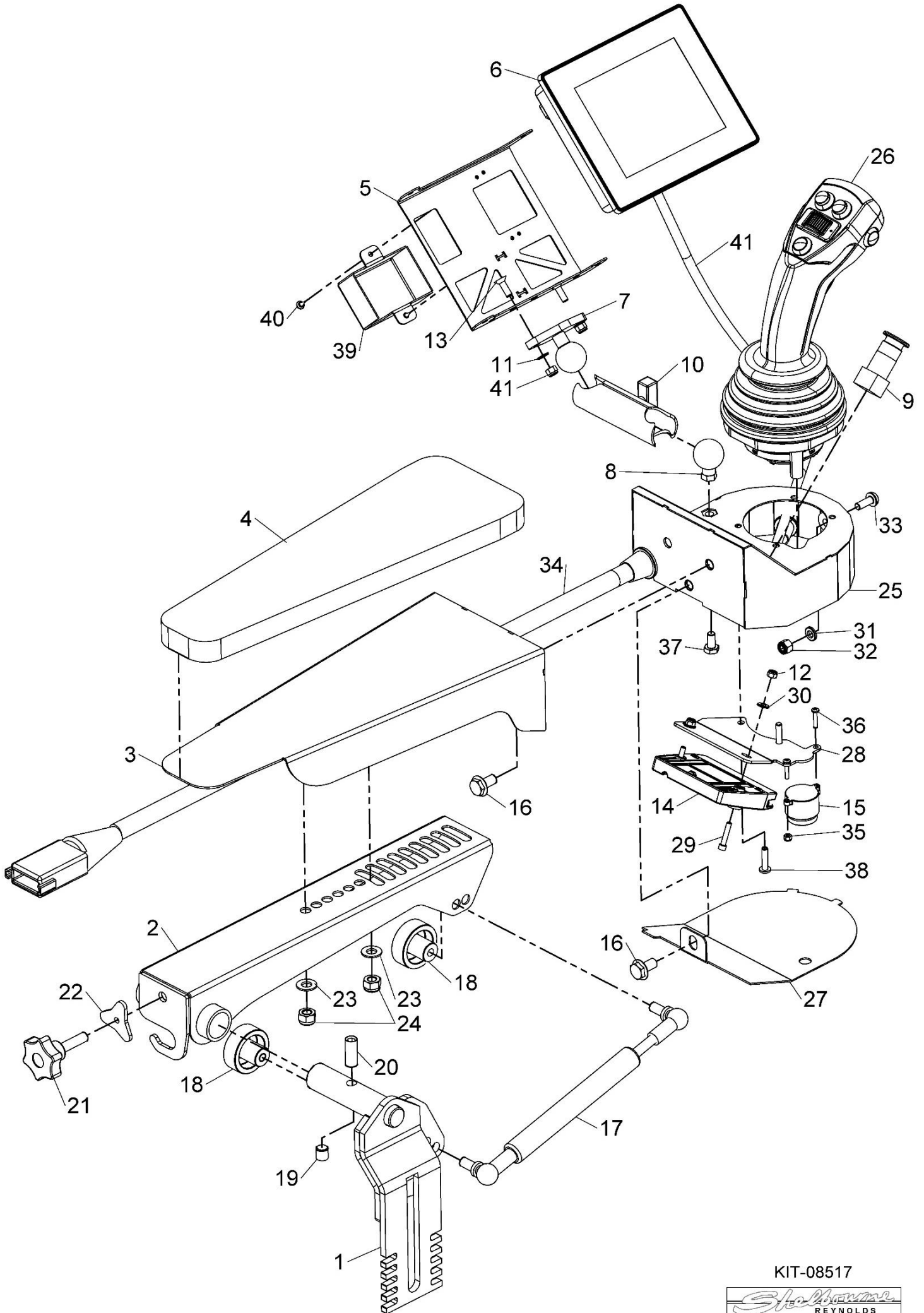


KIT-08506



## Shelbourne Reynolds Engineering Limited

ASSY NUMBER: KIT-08517				ASSY DESCRIPTION: S-TOUCH MAX ARMREST KIT (LATE 2022 & ON)			
ITEM	PART NO	DESCRIPTION	QTY	ITEM	PART NO	DESCRIPTION	QTY
1	807522 01	ARMREST BKT W/A T80XX241818 & ON	1	39	807197 01	WIRE COVER BOX	1
OR	807351 01	ARMREST BKT W/A UPTO T80XX241818	1	40	SCFC10006	SELF TAPPING SCREW	2
2	807323 01	ARMREST W/A	1	41	NUT-0258	NYLOC NUT	2
3	807324 01	ARMREST REAR W/A	1				
4	802242 01	FOAM PAD	1				
5	807335 01	SCREEN MOUNT	1				
6	806596 01	TOUCHSCREEN MAX SOFTWARE	1				
7	LCL-01265	DIAMOND BASE WITH 1" BALL	1				
8	LCL-01263	RAM 1" RUBBER BALL	1				
9	806512 01	EMERGENCY STOP KIT	1				
10	LCL-01268	DOUBLE SOCKET 1"	1				
11	WSH-0006	WASHER	2				
12	NUT-0255	NYLOC NUT	2				
13	SCEA05110	COUNTERSINK SCREW	2				
14	ECS-11000	EXPANSION MODULE	1				
15	806520 01	BUZZER KIT	1				
16	HSSG08114	BOLT	3				
17	GSTA08209	GAS STRUT	1				
18	KNO-0003	KNURLED KNOB	2				
19	SCW-4590	GRUB SCREW	1				
20	SCGA10178	GRUB SCREW	1				
21	KNO-0002	PLASTIC KNOB	1				
22	801100 01	LOCKING PLATE	1				
23	WSH-0012	WASHER	2				
24	NUT-0263	NYLOC NUT	2				
25	807325 01	JOYSTICK BOX W/A	1				
26	807411 01	JOYSTICK (T8075221674 & ON)	1				
OR	806580 01	JOYSTICK (UPTO T8075221674)	1				
27	807334 01	BOTTOM COVER	1				
28	806718 01	MOUNTING PLATE	1				
29	SCW-0035	CAP HEAD SCREW	2				
30	WSH-0003	WASHER	2				
31	WSH-0009	WASHER	1				
32	NUT-0260	NYLOC NUT	1				
33	SCW-4959	BUTTON HEAD SCREW	1				
34	806508 01	LOOM	1				
35	NUTA02030	NYLOC NUT	2				
36	SCFC03110	PAN HEAD SCREW	2				
37	HSS-1018	SETSCREW	1				
38	807147 01	PAN HEAD SCREW	2				

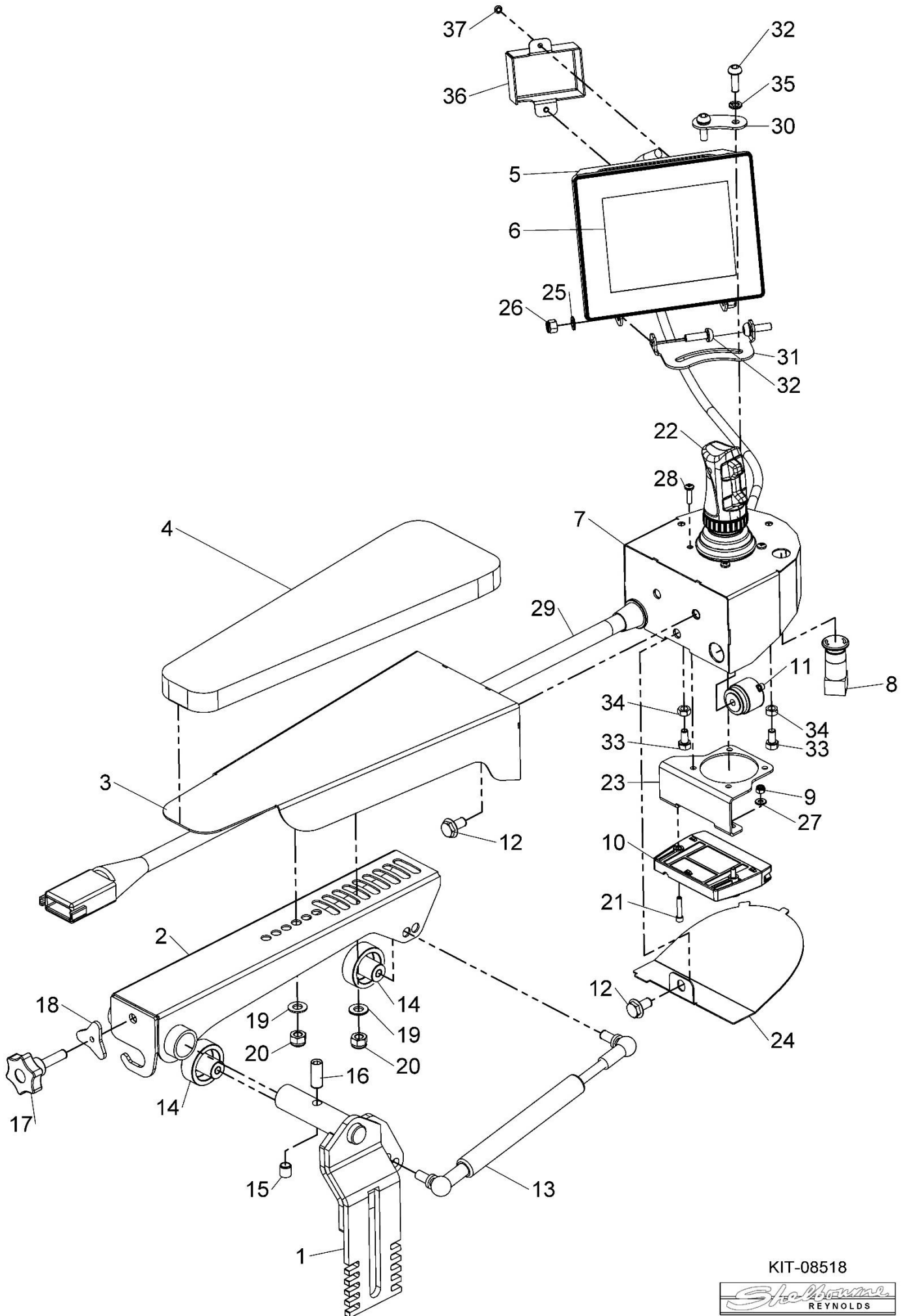


KIT-08517



**Shelbourne Reynolds Engineering Limited**

ASSY NUMBER: KIT-08518				ASSY DESCRIPTION: S-Touch Compact ARMREST KIT (LATE 2022 & ON)			
ITEM	PART NO	DESCRIPTION	QTY	ITEM	PART NO	DESCRIPTION	QTY
1	807522 01	ARMREST BKT W/A T80XX241818 & ON	1				
OR	807351 01	ARMREST BKT W/A UPTO T80XX241818	1				
2	807323 01	ARMREST W/A	1				
3	807324 01	ARMREST REAR W/A	1				
4	802242 01	FOAM PAD	1				
5	807347 01	SCREEN BRACKET W/A	1				
6	806737 01	TOUCHSCREEN COMPACT SOFTWARE	1				
7	807339 01	JOYSTICK BOX W/A	1				
8	806512 01	EMERGENCY STOP KIT	1				
9	NUT-0255	NYLOC NUT	2				
10	ECS-11000	EXPANSION MODULE	1				
11	806520 01	BUZZER KIT	1				
12	HSSG08114	BOLT	3				
13	GSTA08209	GAS STRUT	1				
14	KNO-0003	KNURLED KNOB	2				
15	SCW-4590	GRUB SCREW	1				
16	SCGA10178	GRUB SCREW	1				
17	KNO-0002	PLASTIC KNOB	1				
18	801100 01	LOCKING PLATE	1				
19	WSH-0012	WASHER	2				
20	NUT-0263	NYLOC NUT	2				
21	SCW-0035	CAP HEAD SCREW	2				
22	JOY-05040	JOYSTICK	1				
23	806731 01	MOUNTING PLATE	1				
24	807340 01	COVER PLATE	1				
25	WSH-0009	WASHER	2				
26	NUT-0260	NYLOC NUT	2				
27	WSH-0003	WASHER	2				
28	SCFC04110	PAN HEAD SCREW	4				
29	806508 01	LOOM	1				
30	806735 01	SLOT WASHER	1				
31	806736 01	COMPACT PAN BRACKET	1				
32	SCW-4960	BUTTON HEAD SCREW	4				
33	HSS-0082	HEX HEAD SCREW	2				
34	NUT-0160	PLAIN FULL NUT	2				
35	WSH-0056	SPRING WASHER	2				
36	807197 01	WIRE COVER BOX	1				
37	SCFC10006	SELF TAPPING SCREW	2				

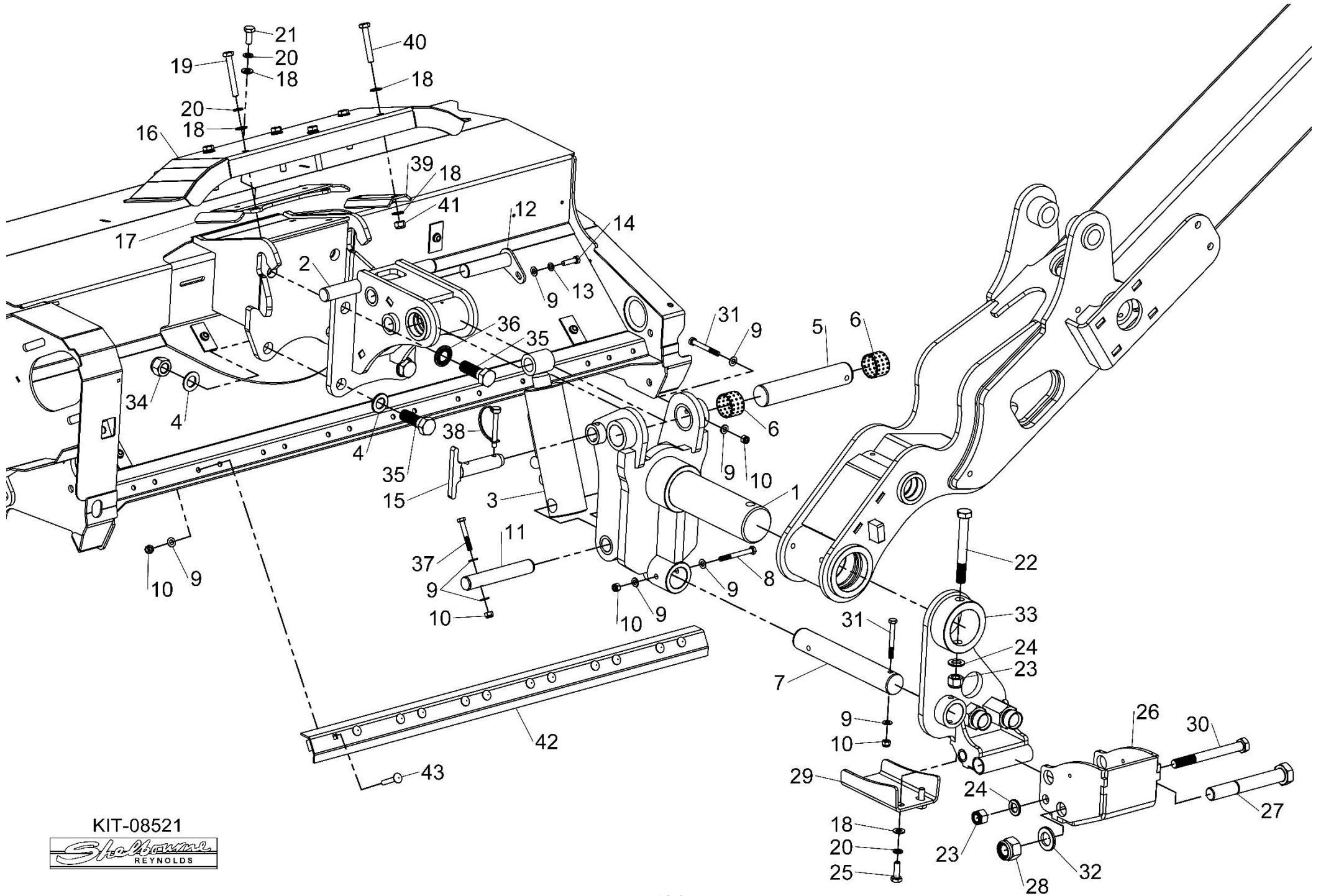


KIT-08518



**Shelbourne Reynolds Engineering Limited**

ASSY NUMBER: KIT-08521				ASSY DESCRIPTION: GP NARROW LANE BRACKET FOR 8000			
ITEM	PART NO	DESCRIPTION	QTY	ITEM	PART NO	DESCRIPTION	QTY
1	806324 01	NARROW LANE MOUNT W/A	1	41	NUT-0265	NYLOCK NUT	2
2	806389 01	NARROW HEAD MOUNT W/A	1	42	807152 01	EDGE PROTECTOR W/A	1
3	806326 01	RAM	1				
4	WSH-0030	WASHER	4	43	BLTF08293	COACH BOLT	12
5	802839 10	PIN	1				12
6	BSHO04056	BUSH	2				
7	805925 01	PIN	1				
8	BLTA08470	BOLT	1				
9	WSH-0012	WASHER	20				
10	NUT-0263	NYLOC NUT	16				
11	800987 07	PIN	1				
12	806338 01	LOCKING PIN W/A	1				
13	WSH-0058	SPRING WASHER	1				
14	HSS-0150	BOLT	1				
15	805388 01	LOCKING PIN W/A	1				
16	806532 01	HOSE GUARD W/A	1				
17	806391 01	HOSE GUIDE W/A	1				
18	WSH-0015	WASHER	11				
19	BLTA10470	BOLT	4				
20	WSH-0061	SPRING WASHER	7				
21	HSS-0191	BOLT	1				
22	BLT-2334	BOLT	1				
23	NUT-0271	NYLOC NUT	2				
24	WSH-0024	WASHER	2				
25	HSS-0194	BOLT	2				
26	803628 01	PIVOT SHOE FOOT	1				
27	BLTA24760	BOLT	1				
28	NUT-0275	NYLOC NUT	1				
29	803629 01	GUARD PLATE	1				
30	BLTA16740	BOLT	1				
31	BLTA08440	BOLT	2				
32	WSH-0036	WASHER	1				
33	803630 01	HYDRAULIC GUARD MOUNT W/A	1				
34	NUTA02200	NYLOC NUT	2				
35	BLT-2366	BOLT	4				
36	WSHA30201	LOCKWASHER	2				
37	BLTA08350	BOLT	1				
38	PIN-1720	SNAPPER PIN	1				
39	806570 01	HOSE RUNNER	1				
40	BLTA10410	BOLT	2				



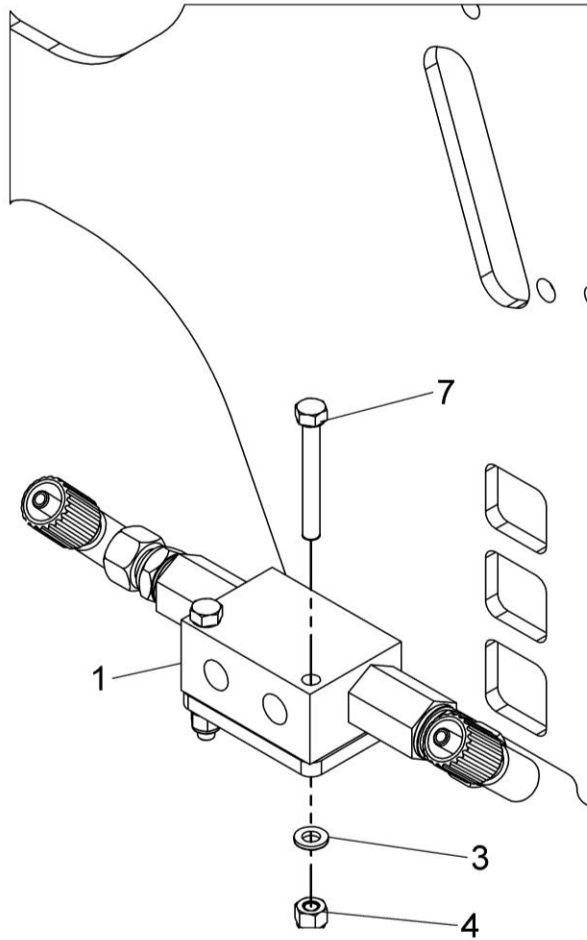
KIT-08521



**Shelbourne Reynolds Engineering Limited**

ASSY NUMBER: KIT-08533				ASSY DESCRIPTION: VALVE BLOCK FIXING KIT			
ITEM	PART NO	DESCRIPTION	QTY	ITEM	PART NO	DESCRIPTION	QTY
1	HVB-27000	VALVE BLOCK 1 HD OPT	1				
OR	HVB-27000	VALVE BLOCK 2 HD OPT	2				
OR	HVB-27000	VALVE BLOCK 3 HD OPT	3				
2							
3							
4							
5							
6							
7	BLTA06320	BOLT FOR 1 HD OPT	2		KIT-08533A	FIXING KIT FOR ONE HEAD OPTION KIT	
OR	BLTA06530	BOLT FOR 2 HD OPT	2		KIT-08533B	FIXING KIT FOR TWO HEAD OPTION KITS	
OR	BLTA06620	BOLT FOR 3 HD OPT	2		KIT-08533C	FIXING KIT FOR THREE HEAD OPTION KITS	
8	WSH-0009	WASHER	2				
9	NUT-0260	NYLOC NUT	2				
10							
11							
12							
13							
14	807552 01	PO SPACER FOR 2 HD OPT ONLY	2				



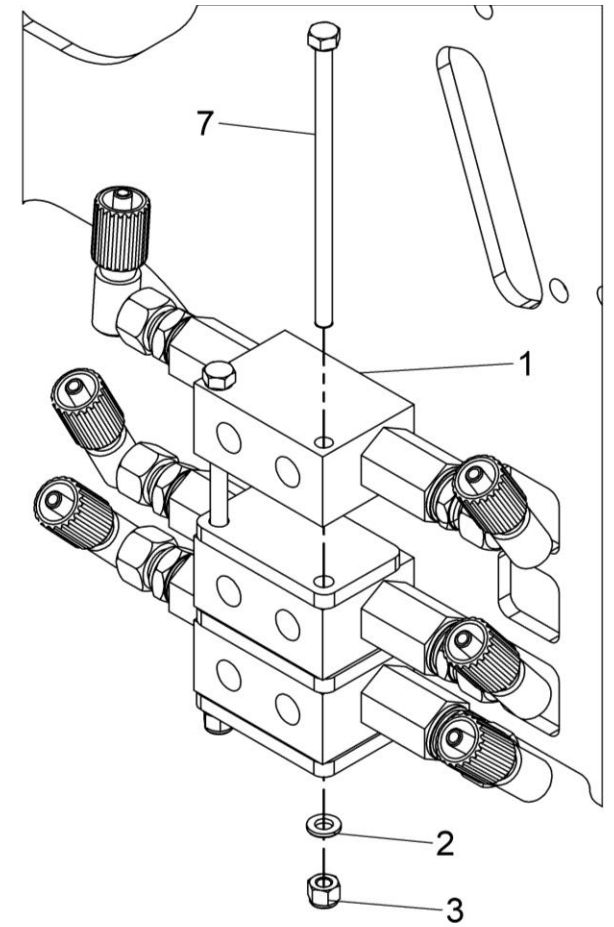
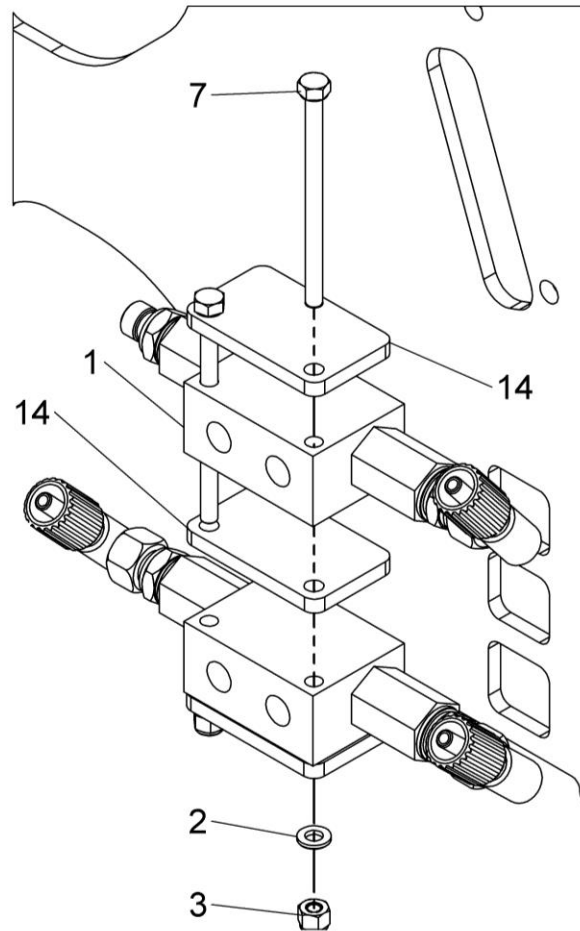


KIT-08533A

FIXING KIT FOR 1 HEAD OPTION KIT

KIT-08533B

FIXING KIT FOR 2 HEAD OPTION KITS



KIT-08533C

FIXING KIT FOR 3 HEAD OPTION KITS

KIT-08533

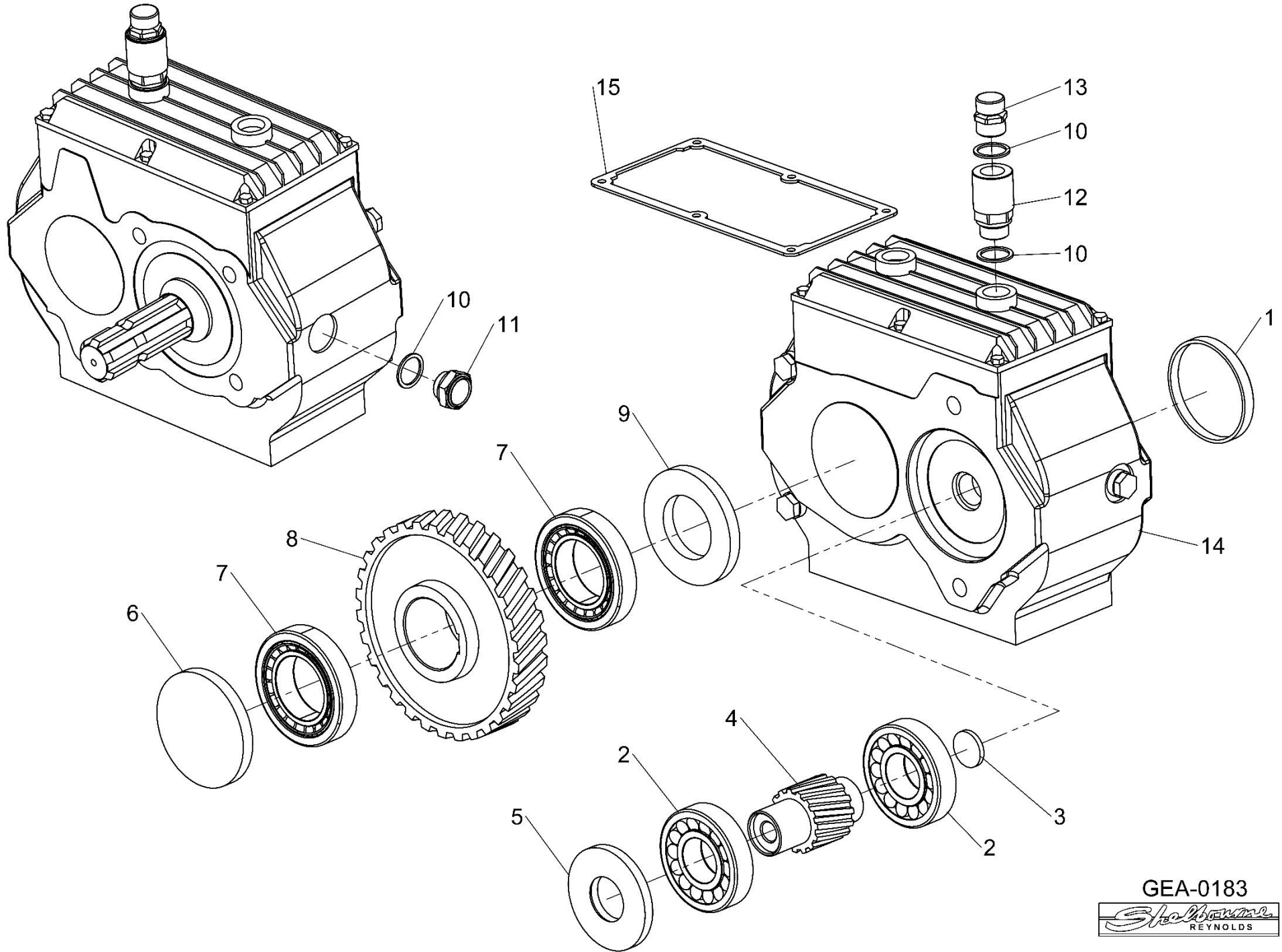




# Breakdown Pages

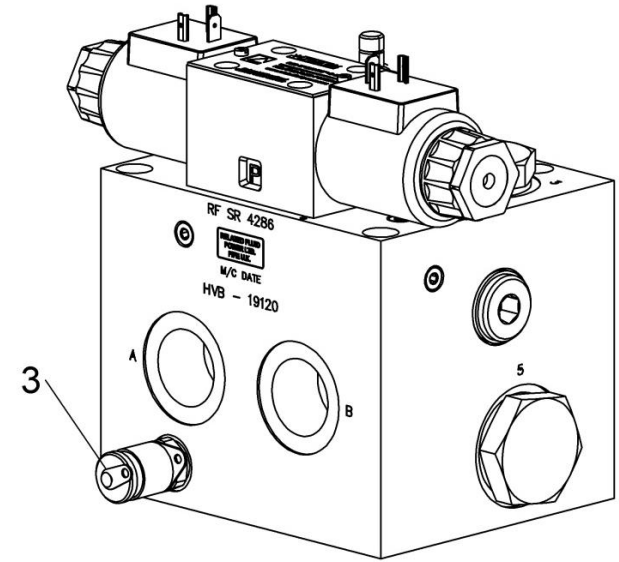
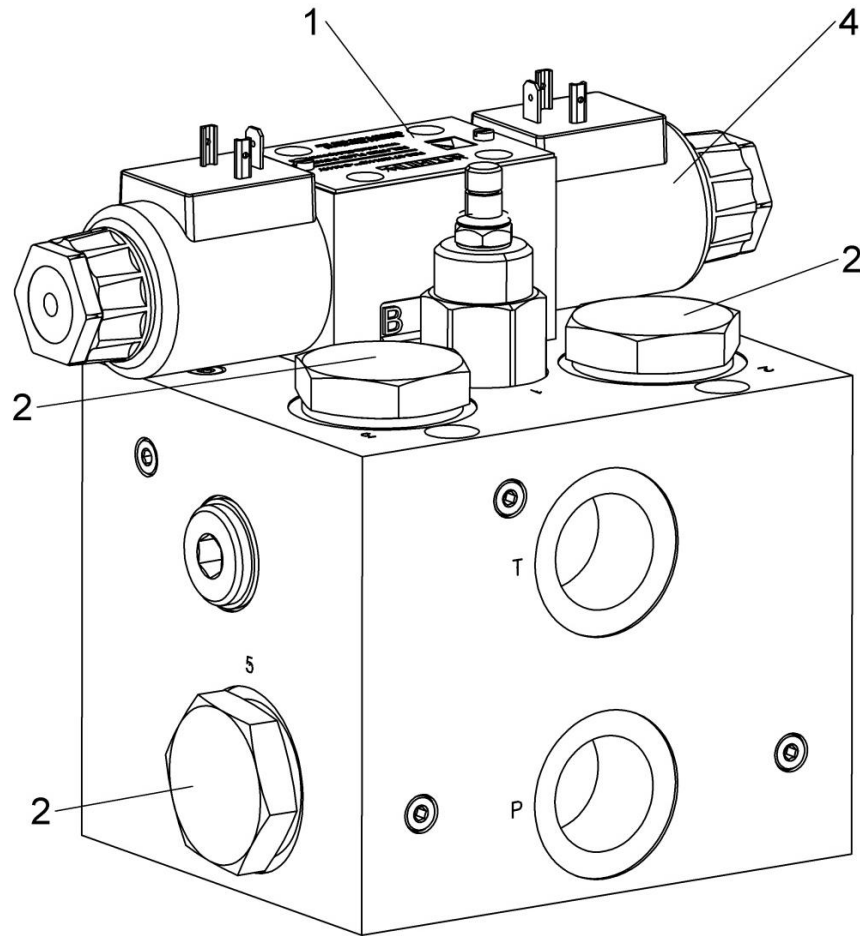
## Shelbourne Reynolds Engineering Limited

ASSY NUMBER: GEA-0183				ASSY DESCRIPTION: GEARBOX			
ITEM	PART NO	DESCRIPTION	QTY	ITEM	PART NO	DESCRIPTION	QTY
1	GEA-1603	END CAP	1				
2	BRG-13582	BEARING	2				
3	SEAZ02800	OIL PLUG	1				
4	GEA-1605	SHAFT	1				
5	SEAB03520	RADIAL SHAFT SEAL	1				
6	SEAZ09000	CORE PLUG SEAL	1				
7	BRG-6000	BEARING	2				
8	GEA-1606	GEAR	1				
9	GEA-1518	OIL SEAL	1				
10	GEA-1705	DRAIN PLUG SEAL	3				
11	FITD00007	BULLS EYE LEVEL GAUGE	1				
12	GEA-1523	EXTENSION WITH BREATHER	1				
13	GEA-1521	BREATHER	1				
14	OIL-0005	OIL	1.75L				
15	GEA-1525	LID GASKET	1				



**Shelbourne Reynolds Engineering Limited**

ASSY NUMBER: HVB-19120				ASSY DESCRIPTION: ROTOR CONTROL VALVE			
ITEM	PART NO	DESCRIPTION	QTY	ITEM	PART NO	DESCRIPTION	QTY
1	HVB-90066	VALVE INC COIL	1				
1a	VSK-00130	SEAL KIT	1				
2	HVB-90065	VALVE	4				
2a	VSK-00170	SEAL KIT	-				
3	HVB-90100	TEST PORT	1				
4	HVB-90077	COIL	2				



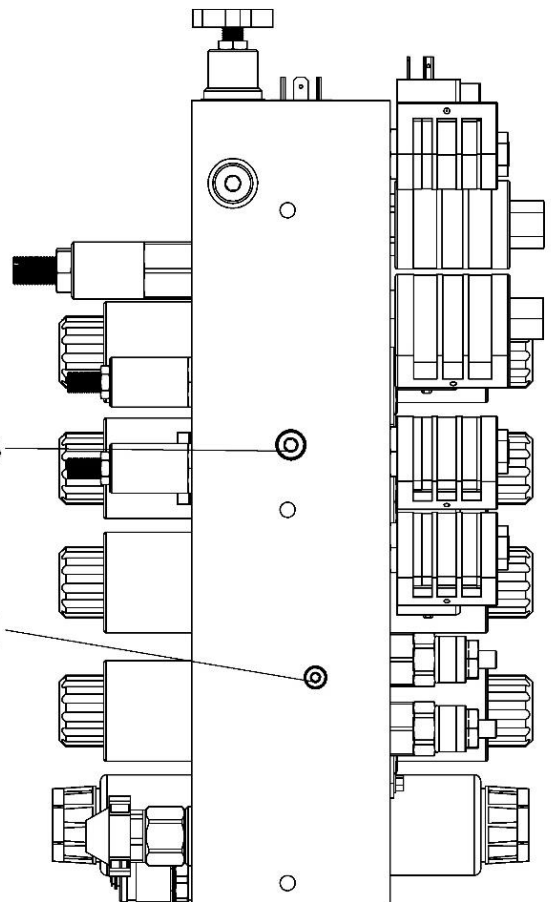
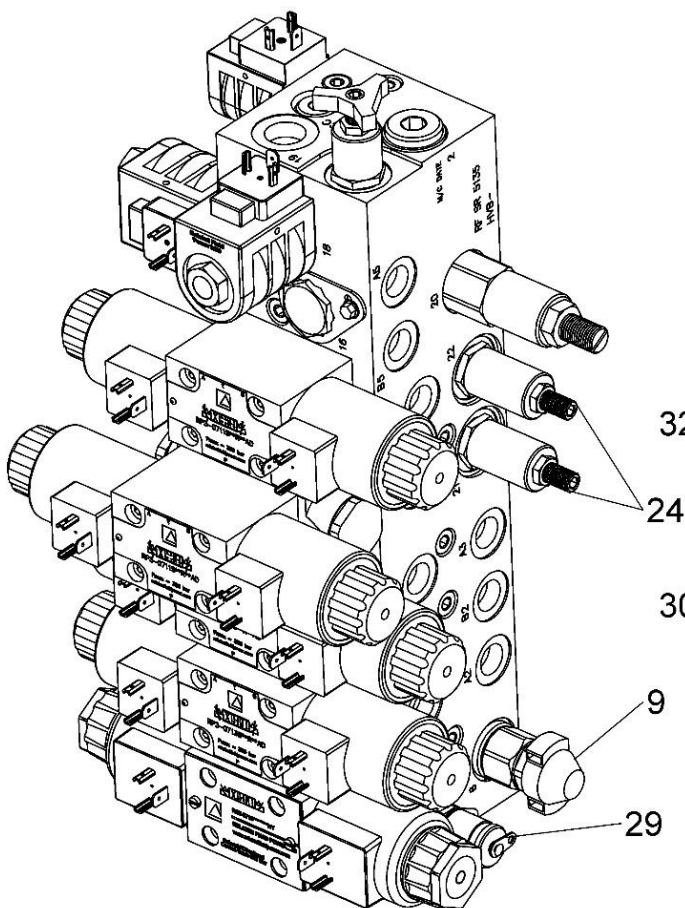
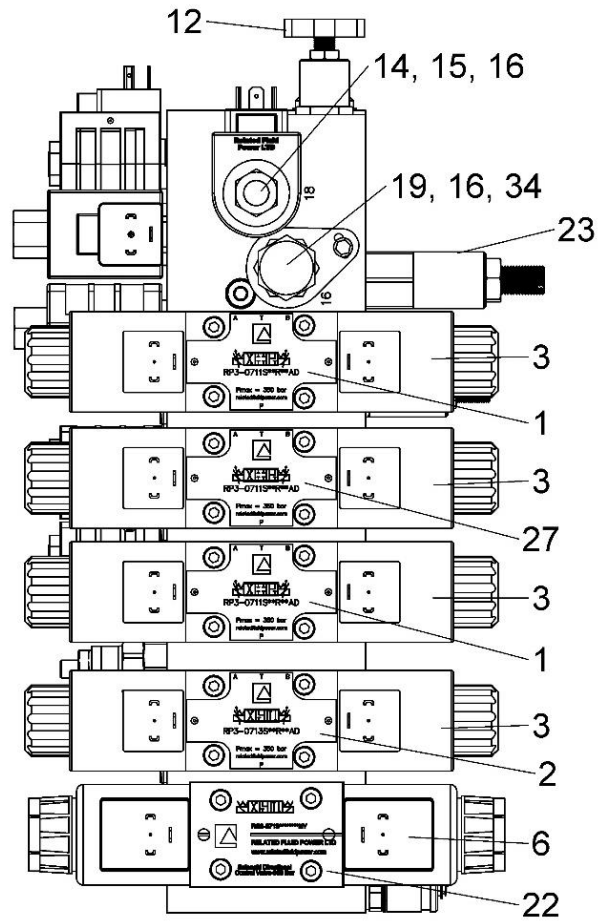
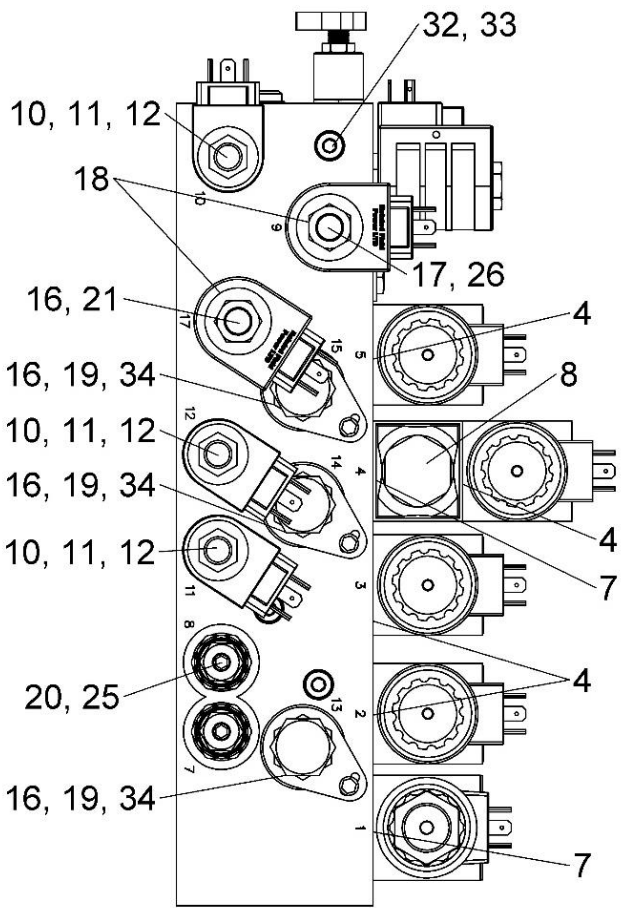
HVB-19120



**Shelbourne Reynolds Engineering Limited**

ASSY NUMBER: HVB-19190				ASSY DESCRIPTION: VALVE BLOCK CYLINDERS			
ITEM	PART NO	DESCRIPTION	QTY	ITEM	PART NO	DESCRIPTION	QTY
1	HVB-90051	VALVE INC COIL (LIFT & SLEW)	2				
2	HVB-90062	VALVE INC COIL (REACH)	1				
3	HVB-90050	COIL	8				
4	VSK-00160	SEAL KIT (FOR ITEMS 1, 2 & 27)	4				
5							
6	HVB-90077	COIL (2012 & ON)	2				
7	VSK-00130	SEAL KIT (FOR ITEMS 5, 8 & 22)	3				
8	HVB-90064	CHECK VALVE BLOCK	1				
9	HVB-02240	RELIEF VALVE	1				
10	HVB-90052	SPOOL VALVE (NO COIL)	3				
OR	HVB-90071	SPOOL VALVE INC COIL	-				
11	HVB-90075	COIL	1				
12	HVB-90058	SEAL KIT	4				
13	HVB-90053	NUT SMALL	3				
14	HVB-90074	LOAD HOLD VALVE	1				
15	HVC-01001	COIL	1				
16	HVB-90057	SEAL KIT	1				
17	HVB-90076A	CHECK VALVE	1				
18	HVB-90054	NUT	2				
19	HVB-90063	CHECK VALVE	4				
20	HVB-90073	OVERCENTRE VALVE	2				
21	HVB-90055	DUMP VALVE	1				
22	HVB-90066	VALVE (TELE)	1				
23	HVB-90094	PRESSURE REDUCING VALVE	1				
24	HVB-90095	RELIEF VALVE	2				
25	VSK-00300	SEAL KIT	1				
26	HVB-90097	SEAL KIT	1				
27	HVB-90091	VALVE INC COIL (H/ANG)	1				
28							
29	HVB-90100	TEST PORT	1				
30	HVB-90101	ZERO LEAK PLUG (SIZE 02)	1				
31	ORA060060	O RING	1				
32	HVB-90102	ZERO LEAK PLUG (SIZE 04)	13				
33	ORA060080	O RING	13				
34	ORA1401918	O RING	5				





HVB-19190