

Shelbourne
REYNOLDS



TRIMMERS &
FLAIL MOWER

HEDGE & VERGE



Shelbourne

CONTENTS

INDEX	PAGE
ABOUT SHELBOURNE REYNOLDS.....	3
HISTORY.....	4
GROUND CARE RANGE.....	5
FBO FLAIL MOWER.....	6-7
400 SERIES TRIMMER.....	8-11
6000 SERIES TRIMMER.....	12-15
7000 SERIES TRIMMER.....	16-19
8000 SERIES TRIMMER.....	20-23
FLAIL HEADS.....	24-26
CONTROL SYSTEMS.....	27-31



OVER FIVE DECADES OF FARM MACHINERY

FOUNDED IN 1972, SHELBOURNE REYNOLDS HAS BEEN A FIXTURE IN AGRICULTURAL EQUIPMENT MANUFACTURING EVER SINCE.

Today, we are located on the same site in Stanton, near Bury St Edmunds, Suffolk, where we were established – but our business continues to grow. Our factory now covers over 12,000 sq m of the two hectare premises on which we are based, and employs 170 people.

Here, we use the latest design software to create the machines our markets demand, and utilise some of the most sophisticated manufacturing equipment available to produce not only hedge and verge trimmers, but also Powermix diet feeders, Powerspread manure spreaders and a host of other arable, livestock and groundcare machinery.

Our manufacturing technology includes CNC machining centres, laser steel cutting machines and one of the UK's largest powder coat paint facilities. All of this means we are able to create in-house, to extremely high standards, a large proportion of the components required for our equipment, using processes including machining and gear cutting to manufacture specific drives for specific applications.

With Shelbourne Reynolds equipment, there's no question of compromising machine performance or longevity by using lower spec cheaper components. That means our dealers and customers benefit from knowing that we put our name to every component on our equipment.



A PROVEN HISTORY IN HEDGE & VERGE CUTTING

EXPERIENCE IS AN ESSENTIAL ELEMENT OF RELIABLE DESIGN, AND WITH A HISTORY OF HEDGE TRIMMER PRODUCTION STRETCHING BACK MORE THAN 15 YEARS, YOU CAN BE SURE SHELBOURNE REYNOLDS HAS JUST THAT.

Our first hedge/verge trimmer models were introduced in 2004. Since then, our focus has always been on robustness, reliability, ease of servicing and machines that produce a neat finish in the minimum of passes.

But as hedge trimming rules have changed, resulting in longer intervals that create older, thicker growth, and the importance of verge mowing has increased to meet the need for enhanced road safety, our engineers have kept pace by designing new, higher capacity models.

Shelbourne has led the industry with innovations such as hydraulic head roller and VFRT.

Today, the Shelbourne Reynolds hedge/verge trimmer range spans four lines with reach of 5.0-8.0m and heads from 1.2-1.6m. Read on to find out how the characteristics we design into our hedge/verge trimmers can help you produce a better finish in a shorter time, and keep maintenance to a minimum.





FLAIL MOWER

2.5m and 2.8m front or rear mounted flail mower with hydraulic offset.



400

The compact entry-level Shelbourne trimmer with a full specification. Models with 5.0m and 5.7m reach.



6000

Mid-range, full-featured, farm-targeted trimmer models with 5.6m fixed and 6.0m telescopic reach.



7000

A heavy duty, top end trimmer range for demanding users with high workloads. 6m telescopic and 6.2m variable forward reach models.



8000

The flagship Shelbourne Reynolds hedge/verge trimmer for professional high-hour users, with telescopic models offering a telescopic reach of up to 8m and VFRT models with upto 1.6m of rearwards reach and 2.5m of forward reach.



FBO FLAIL MOWER

NEED A FLAIL MOWER TO PAIR WITH YOUR HEDGE/VERGE TRIMMER?
NOW THERE'S A SHELBOURNE REYNOLDS SOLUTION.

As it's designed for the professional user and built in-house by our own engineers, you can expect the same standards of robustness and reliability from the FBO 2500 / 2800 that you've come to expect from our hedge/verge trimmer range. For all types of grass and vegetation management.

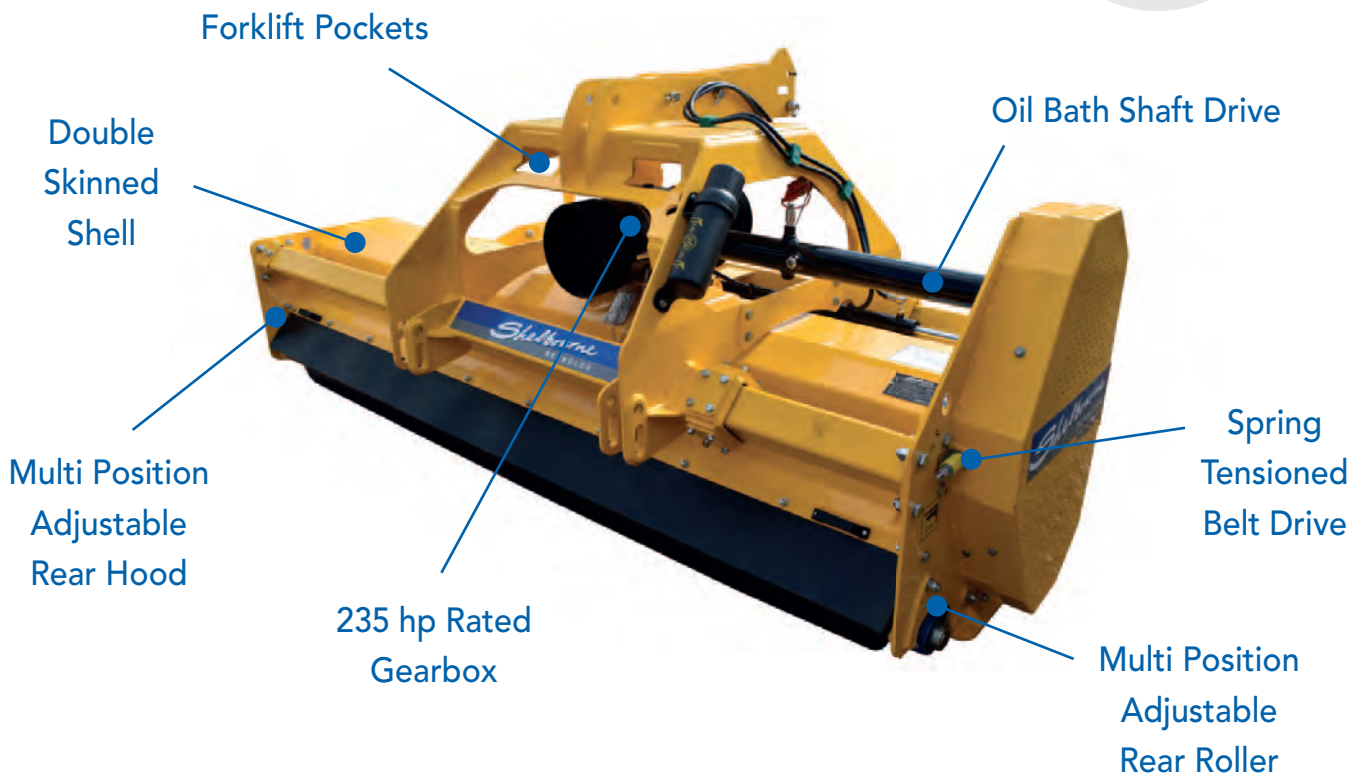
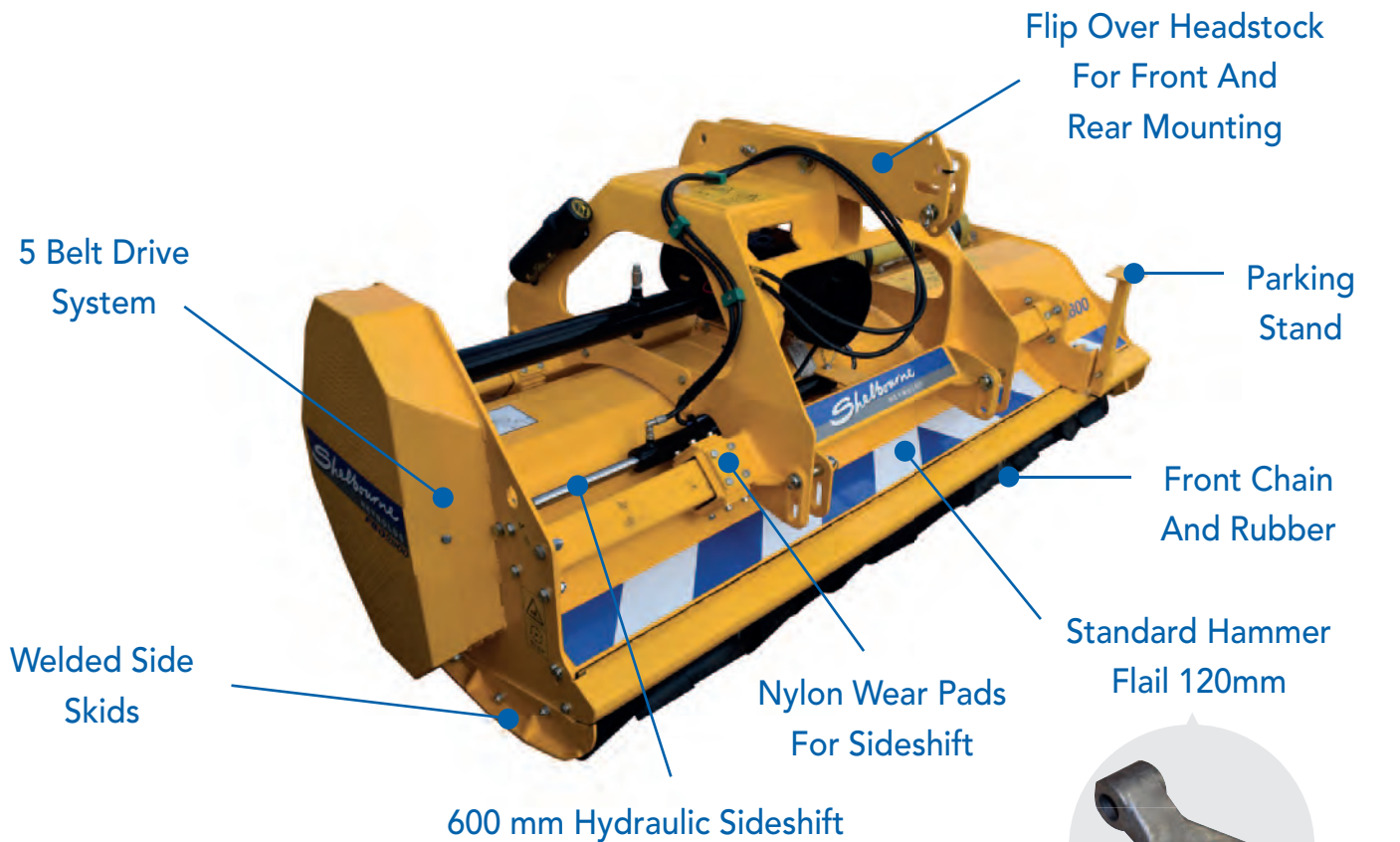
	FBO 2500	FBO 2800
WORKING WIDTH	2.5 m	2.8 m
OVERALL WIDTH	2.8 m	3.0 m
DISTANCE (FRONT-REAR)	1250 mm	1250 mm
HEIGHT	1290 kg	1290 kg
ROLLER ADJUSTMENT	15-90 mm	15-90 mm
WEIGHT	1285 kg	1322 kg
MOUNTING	FRONT/REAR	FRONT/REAR
DOUBLE SKINNED SHELL	STD	STD
GEARBOX RATING	235 hp	235 hp
DRIVE SYSTEM	5 BELT	5 BELT
INPUT SPEED	540/1000 rpm	540/1000 rpm
HYDRAULIC OFFSET	600 mm	600 mm
ROTOR DIAMETER	220 mm	220 mm
ROLLER DIAMETER	194 mm	194 mm
OVERRUN CLUTCH	STD	STD



◀ Heavy Duty 5 Belt Drive with Sprung Tensioning System

Swap Pulleys for 540 or 1000rpm Input

KEY FEATURES





400 SERIES

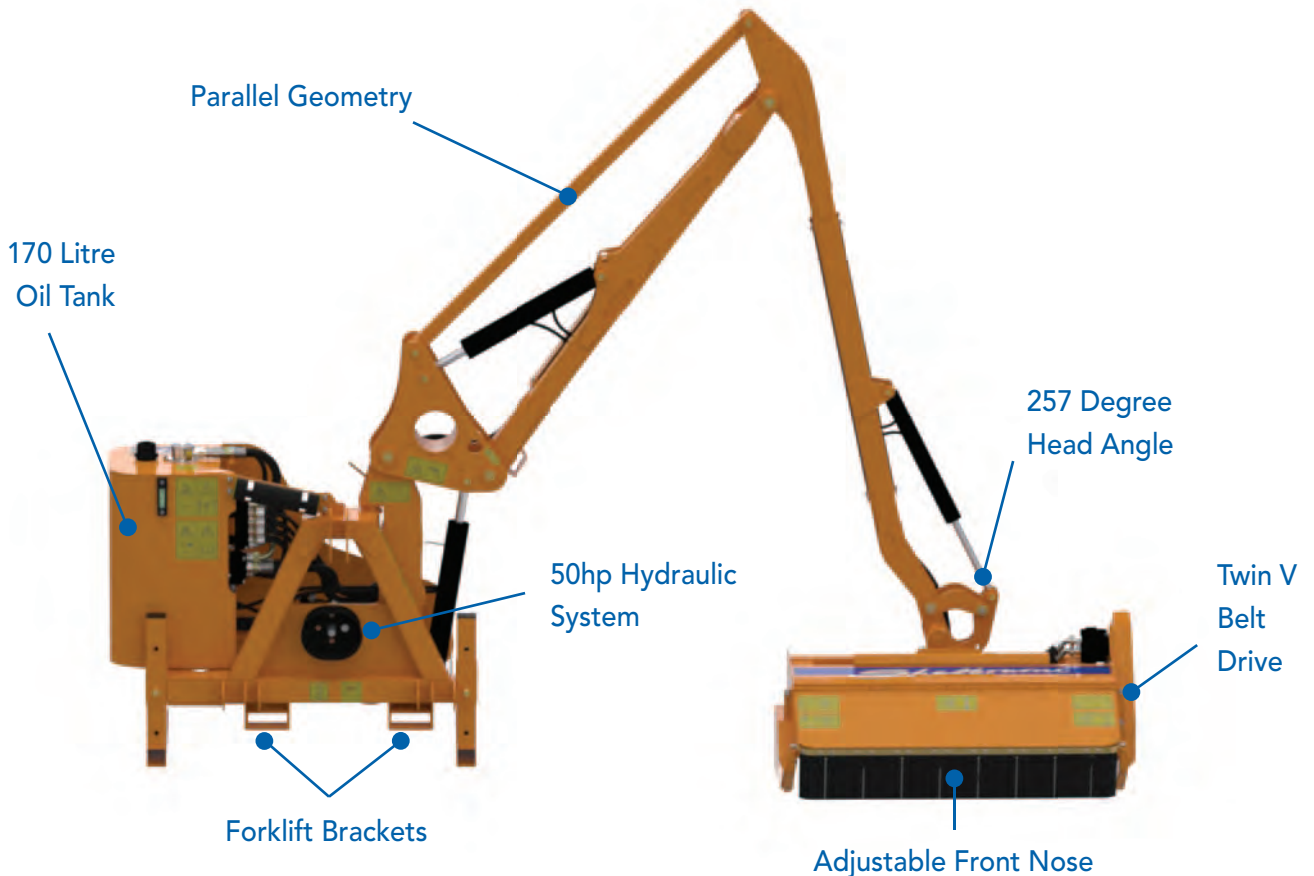
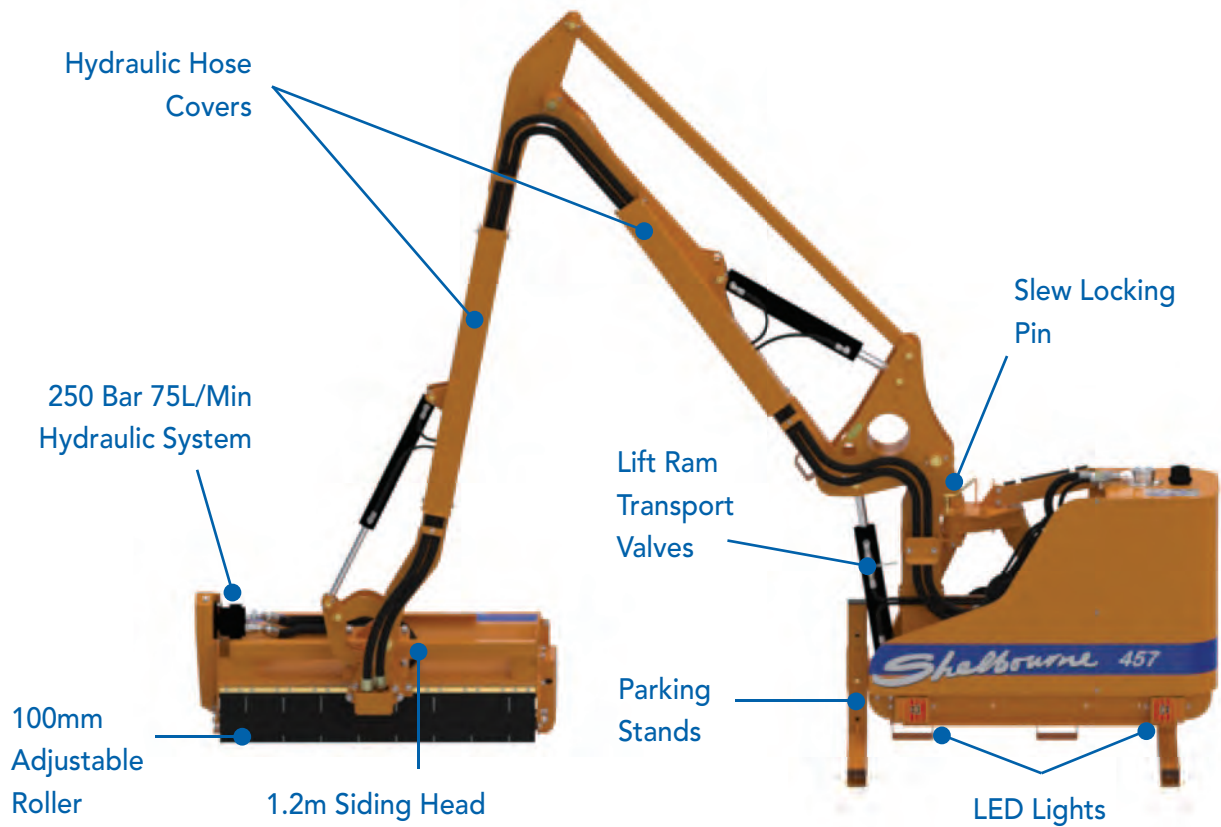
IF YOU NEED A HEDGE/VERGE TRIMMER FOR FARM OR COUNCIL WORK, THE COMPACT YET TOUGH SHELBOURNE 400 SERIES IS DESIGNED TO MEET YOUR NEEDS.

The Shelbourne 400 series trimmer range blends a compact format with the quality and strength of concepts proven in our larger HD models. Our engineers have created a machine that cuts back on weight without compromising key areas of design.

Select from two models: the 450, a 5.0m fixed boom machine, and the 457, also with fixed boom but with a reach of 5.7m. Both models feature parallel geometry and power slew.

MODEL	REACH	SPECIFICATION
450	5.0m	PARALLEL GEOMETRY FIXED BOOM
457	5.7m	PARALLEL GEOMETRY FIXED BOOM

KEY FEATURES

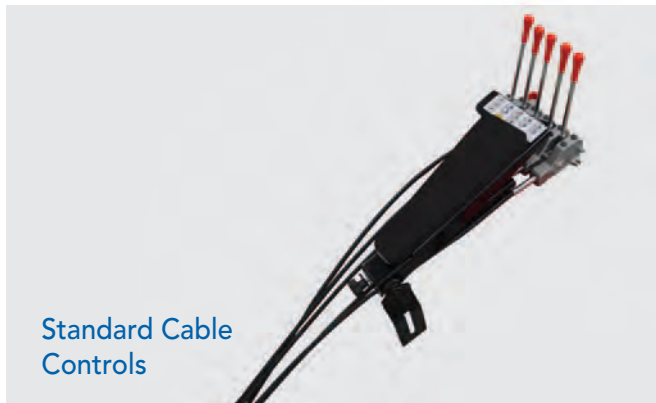


400 SERIES

Hedge & Verge Trimmer



Standard 4 Pt Stabiliser Frame



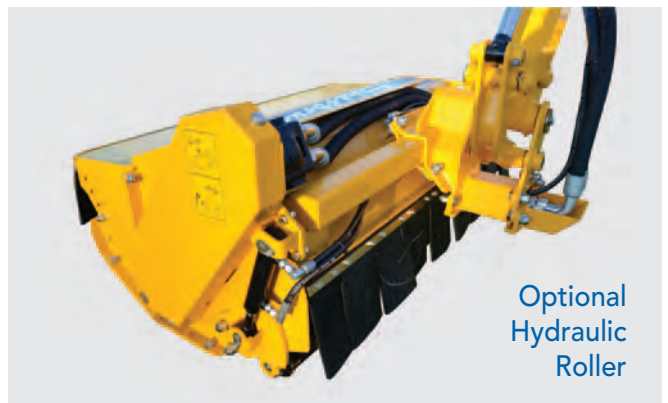
Standard Cable Controls



Optional Proportional Joystick

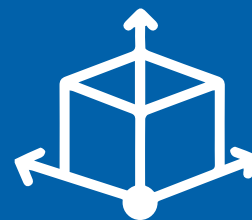


Standard Fixed Roller

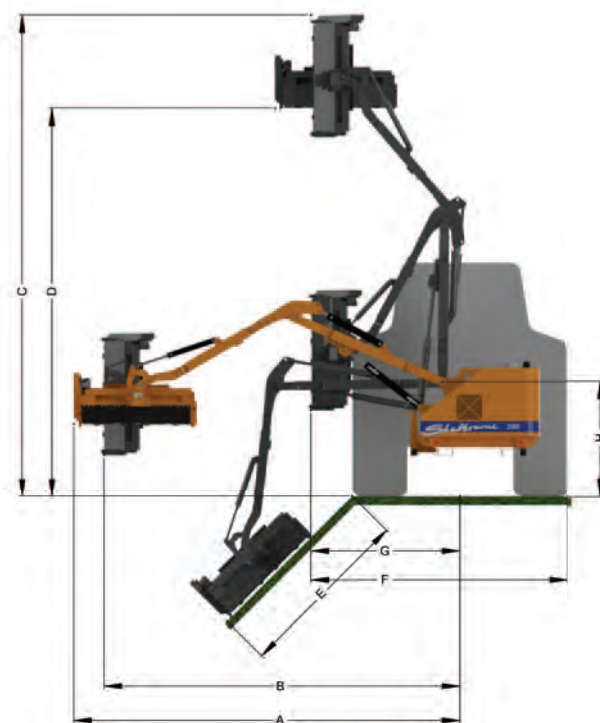


Optional Hydraulic Roller

DIMENSIONS



STANDARD FEATURES	450	457
CONTROLS	CABLE	
BI-DIRECTIONAL ROTOR CONTROL	CABLE	
BOOM TYPE	FIXED	
BOOM GEOMETRY	PARALLEL	
MOUNTING	4 PT STABILISER	
FLAIL HEAD	SM1200 (LH)	
OIL CAPACITY	170 litres	
HYDRAULIC SYSTEM	INDEPENDENT	
HYDRAULIC POWER	50 hp	
HYDRAULIC SLEW	90 Deg	
ARM BREAK BACK	STANDARD	
DRIVE SYSTEM FLOW	73 l/min	
DRIVE SYSTEM PRESSURE	250 Bar	
HEAD ANGLING	257 Deg	
ROAD LIGHTS	LED	
WEIGHTS		
MACHINE WEIGHT INC HEAD & OIL	1190 kg	1220 kg
MIN TRACTOR WEIGHT	3500 kg	
MIN TRACTOR	80 hp	
OPTIONS		
OIL REMOTE JOYSTICK CONTROL	OPTIONAL	
ELECTRIC HEAD & ARM FLOAT	JOYSTICK CONTROL	
MANUAL HEAD & ARM FLOAT	CABLE CONTROL	
OIL COOLER	OPTIONAL	
HYDRAULIC HEAD ROLLER	OPTIONAL	
NARROW LANE BRACKET	OPTIONAL	



REACH DIMENSIONS	450	457
MAX REACH (A) HEAD HORIZONTAL	5.16 m	5.84 m
MAX REACH (B) HEAD VERTICAL	4.54 m	5.27 m
MAX HEIGHT (C) HEAD VERTICAL	6.25 m	6.72 m
MAX HEIGHT (D) HEAD HORIZONTAL	4.52 m	5.28 m
MAX REACH (E) DOWNWARDS	3.30 m	4.11 m
MAX REACH (F) AT 45 DEGREE UP	5.35 m	6.01 m
MAX SIDING WIDTH (G) TO TANK	2.35 m	2.35 m
MAX SIDING WIDTH (H) TO CENTRE	1.40 m	1.40 m
HEIGHT (I) TO PIVOT	1.55 m	1.55 m

ALL DIMENSIONS ABOVE WITH 1.2 m HEAD



6000 SERIES

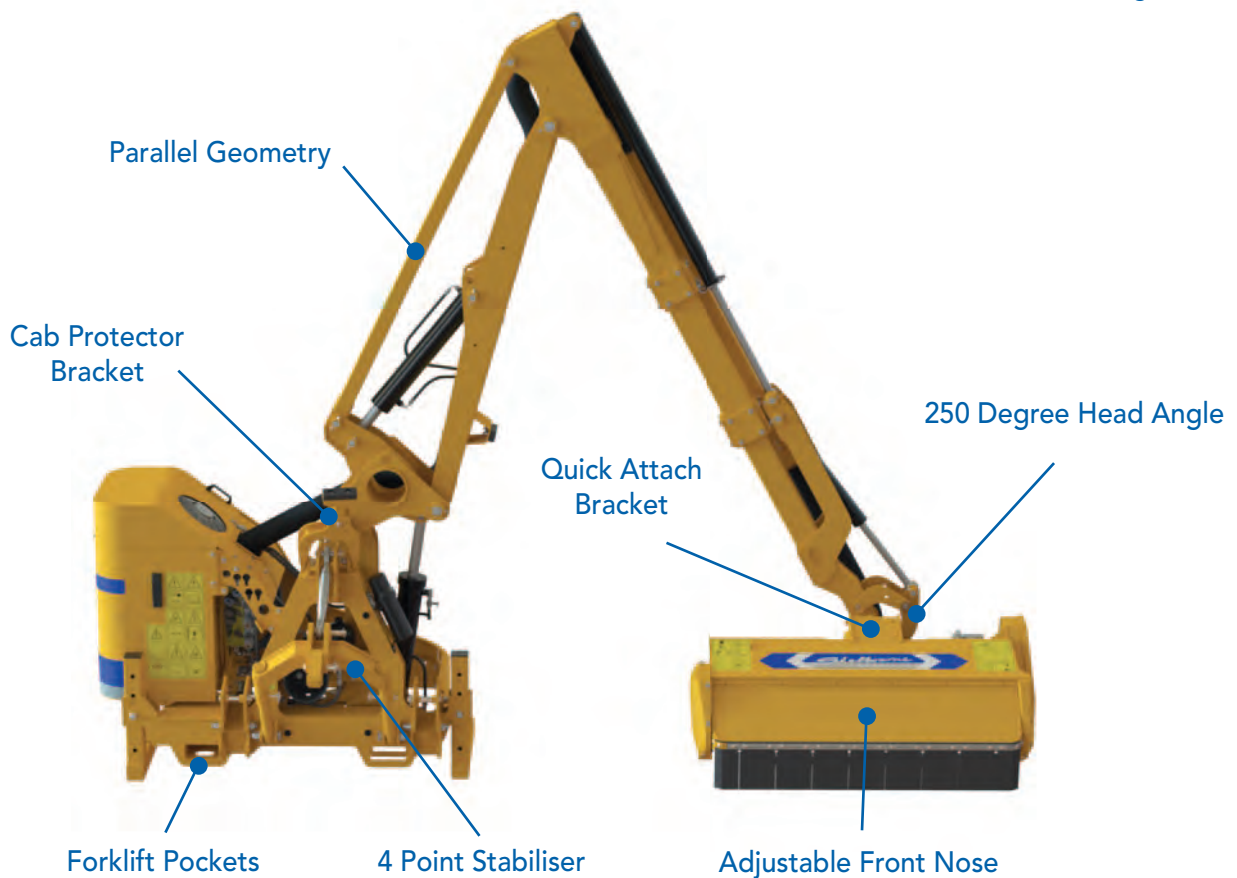
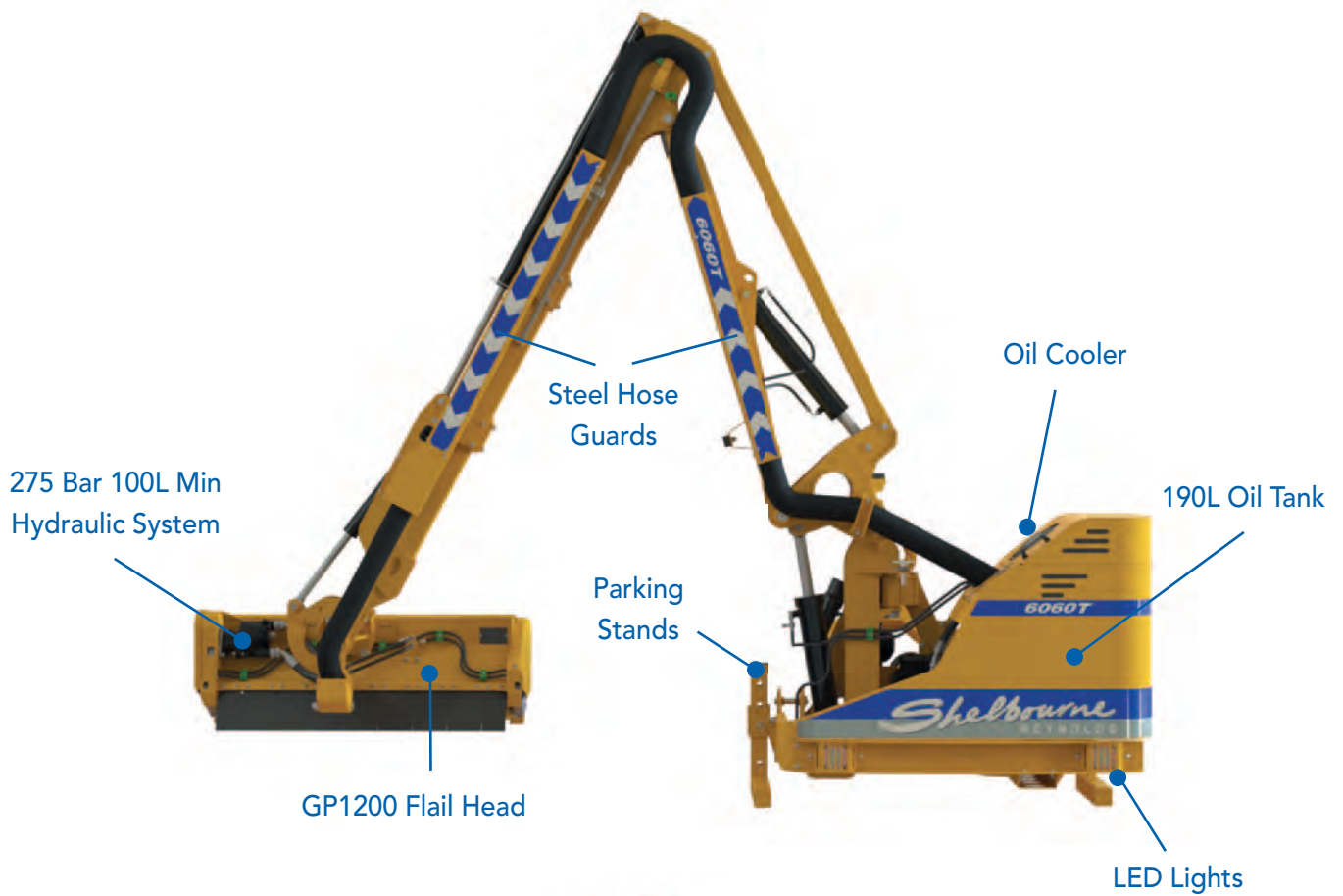
WITH A DESIGN INCORPORATING KEY FEATURES FROM THE 7000 & 8000 SERIES, THE 6000 SERIES HEDGE AND VERGE TRIMMER RANGE SUITS LARGER-SCALE WORKLOADS.

That means it combines high specifications for enhanced performance with a weight matched to medium-sized tractors, ensuring it suits the needs of both farmers and contractors. The standard 70hp hydraulic system packs a powerful punch.

Two models are available: the 6056 with 5.6m reach from a fixed boom and the 6060T with 6.0m reach from a telescopic boom.

MODEL		
6056	5.6m	FIXED BOOM
6060T	6.0m	TELESCOPIC BOOM (4.8m-6.0m)

KEY FEATURES



6000 SERIES

Hedge & Verge Trimmer



Four Point Stabiliser Kit



Drawbar Stabiliser Bracket



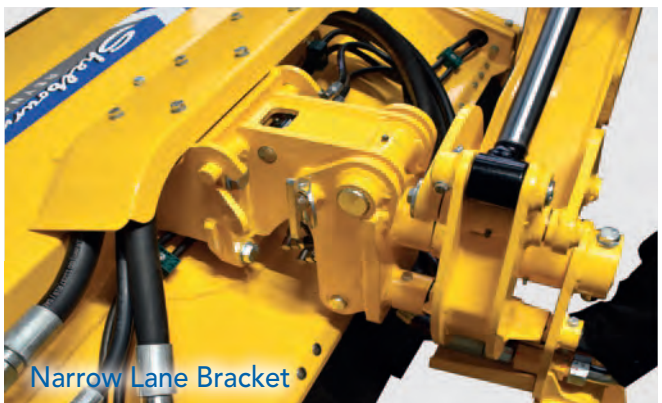
Electronic Proportional Joystick



Oil Cooler

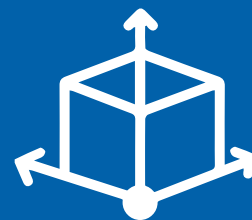


Hydraulic Head Roller

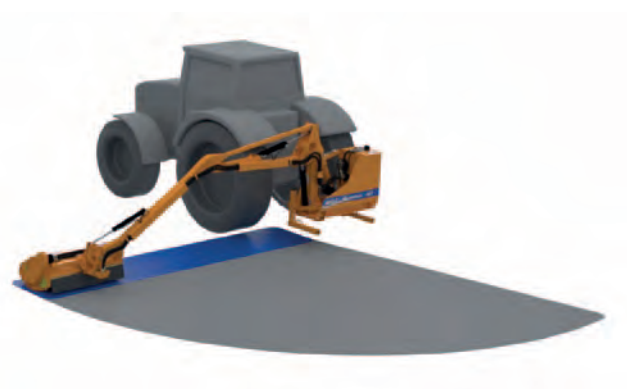
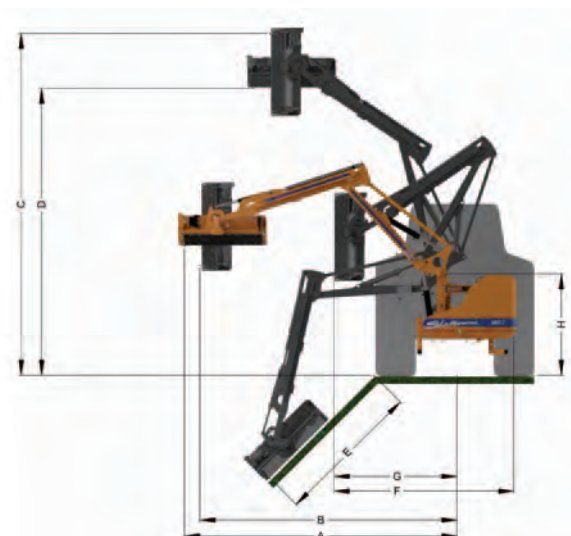


Narrow Lane Bracket

DIMENSIONS



STANDARD FEATURES	6056	6060T
JOYSTICK CONTROL	ELECTRONIC 2 X PROPORTIONAL CABLE	
BI-DIRECTIONAL ROTOR CONTROL		
BOOM TYPE	FIXED	TELESCOPIC
BOOM GEOMETRY	PARALLEL	
MOUNTING	4 pt STABILISER	
FLAIL HEAD	GP1200 (LH)	
OIL CAPACITY	190 litres	
HYDRAULIC SYSTEM	INDEPENDENT	
HYDRAULIC POWER	70 hp	
OIL COOLER	AUTO	
HYDRAULIC SLEW	102 deg	
ARM BREAK BACK	STANDARD	
DRIVE SYSTEM FLOW	100 l/min	
DRIVE SYSTEM PRESSURE	275 bar	
HEAD ANGLING	250 deg	
ROAD LIGHTS	LED	
WEIGHTS		
MACHINE WEIGHT INC GP1200 HEAD & OIL	1640 kg	1780 kg
MIN TRACTOR WEIGHT	4000 kg	4250 kg
MIN TRACTOR	90 hp	
OPTIONS		
AXLE BRACKET MOUNTING	OPTIONAL	
ELECTRIC HEAD & ARM FLOAT	OPTIONAL	
TWIN ACCUMULATOR FLOAT	OPTIONAL	
GP1500 HEAD (LH DRIVE)	OPTIONAL	
HYDRAULIC HEAD ROLLER	OPTIONAL	
HYDRAULIC HEAD NOSE	HC1200 (ONLY)	
NARROW LANE BRACKET	LH DRIVE (ONLY)	
VERGE KIT	OPTIONAL	
HIGHWAY KIT	OPTIONAL	
DEBRIS BLOWER	OPTIONAL	



REACH DIMENSIONS	6056	6060T	
		RETRACTED	EXTENDED
MAX REACH (A) HEAD HORIZONTAL	5.62 m	4.99 m	6.13 m
MAX REACH (B) HEAD VERTICAL	5.47 m	4.83 m	5.97 m
MAX HEIGHT (C) HEAD VERTICAL	6.75 m	6.05 m	6.91 m
MAX HEIGHT (D) HEAD HORIZONTAL	5.63 m	5.08 m	5.93 m
MAX REACH (E) DOWNWARDS	4.20 m	3.42 m	4.50 m
MIN SIDING WIDTH (F) TO TANK	2.36 m	2.30 m	N/R
MAX SIDING WIDTH (G) TO CENTRE	1.28 m	1.30 m	N/R
HEIGHT (H) TO PIVOT	1.55 m	1.55 m	1.55 m

ALL DIMENSIONS ABOVE WITH GP1200 HEAD



7000 SERIES

THE 7000 SERIES HEDGE AND VERGE TRIMMER RANGE HAS BEHIND IT THE FEEDBACK AND INPUT OF OWNER DRIVERS AND CONTRACTORS WITH WHOM WE'VE BEEN WORKING OVER THE LAST 20 YEARS.

Its range of specifications and configurations makes it suitable for both farmers and contractors. Two versions are available, the 7060T telescopic 6m reach machine and the 6.2m 7062VFR variable forward reach model.

MODEL	REACH	SPECIFICATION
7060T	6.0m	TELESCOPIC BOOM (4.8m to 6.0m)
7062VFR	6.2m	VARIABLE FORWARD (1.5m / Rearward Reach (1.0m)

7000 SERIES

Hedge & Verge Trimmer



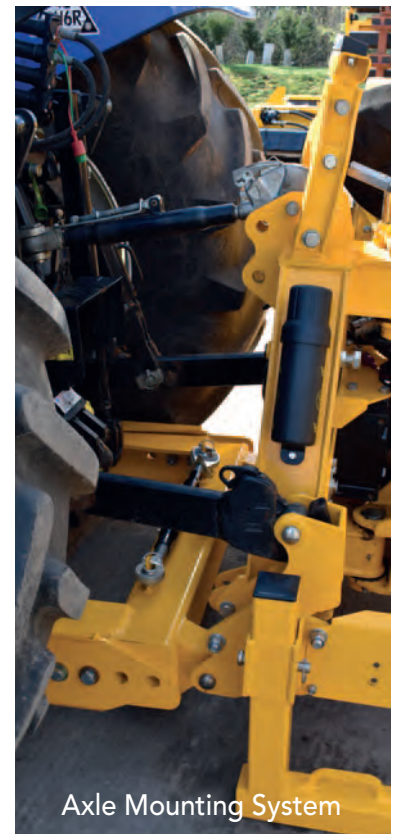
Four Point Stabiliser Kit



Digital Proportional Joystick

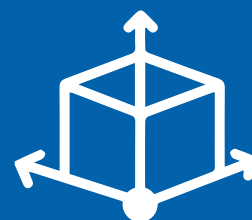


Drawbar Stabiliser Bracket

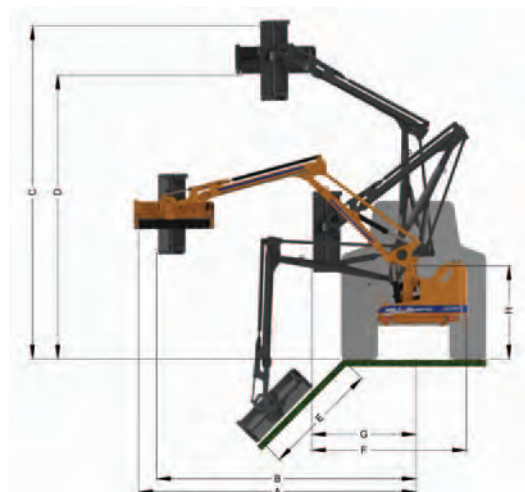


Axle Mounting System

DIMENSIONS



STANDARD FEATURES	7060T	7062VFR
JOYSTICK CONTROL	ELECTRONIC 3 X PROPORTIONAL	
BI-DIRECTIONAL ROTOR CONTROL	ELECTRIC	
BOOM TYPE	TELESCOPIC	VFR
BOOM GEOMETRY	PARALLEL	
FLAIL HEAD	GP1200 (LH)	
ELECTRIC HEAD & ARM FLOAT	STANDARD	
OIL CAPACITY	190 litres	
HYDRAULIC SYSTEM	INDEPENDENT	
HYDRAULIC POWER	70 hp	
OIL COOLER	WITH AUTO REVERSE	
HYDRAULIC SLEW	102 deg	
ARM BREAK BACK RETURN	AUTO	
DRIVE SYSTEM FLOW	100 l/min	
DRIVE SYSTEM PRESSURE	275 bar	
HEAD ANGLING	250 deg	
ROAD LIGHTS	LED	
WEIGHTS		
MACHINE WEIGHT INC GP1200 HEAD & OIL	1780 kg	1800 kg
MIN TRACTOR WEIGHT	4250 kg	4500 kg
MIN TRACTOR	90 hp	100 hp
OPTIONS		
4 pt STABILISER MOUNTING	OPTIONAL	N/A
AXLE BRACKET MOUNTING	OPTIONAL	RECOMMENDED
85 hp HYDRAULICS	540 OR 800 PTO INPUT	
TWIN ACCUMULATOR FLOAT	OPTIONAL	
GP1500 HEAD (LH DRIVE)	OPTIONAL	
HC1200 HEAD (LH / RH DRIVE)	OPTIONAL	
HC1600 HEAD (LH / RH DRIVE)	OPTIONAL	
HYDRAULIC HEAD ROLLER	OPTIONAL	
HYDRAULIC HEAD NOSE	HC HEADS	
NARROW LANE BRACKET	LH DRIVE (ONLY)	
VERGE KIT	OPTIONAL	
HIGHWAY KIT	OPTIONAL	
DEBRIS BLOWER	OPTIONAL	



REACH DIMENSIONS	7060T		7062VFR		
	RETRACTED	EXTENDED	STRAIGHT	FORWARD	BACKWARD
MAX REACH (A) HEAD HORIZONTAL	4.99 m	6.13 m	6.15 m	5.56 m	5.90 m
MAX REACH (B) HEAD VERTICAL	4.83 m	5.97 m	6.00 m	5.41 m	5.75 m
MAX HEIGHT (C) HEAD VERTICAL	6.05 m	6.91 m	7.03 m	6.60 m	6.86 m
MAX HEIGHT (D) HEAD HORIZONTAL	5.08 m	5.93 m	6.06 m	5.69 m	5.89 m
MAX REACH (E) DOWNWARDS	3.42 m	4.50 m	4.69 m	4.09 m	4.42 m
MIN SIDING WIDTH (F) TO TANK	2.30 m	N/R	2.55 m	N/R	2.46 m
MIN SIDING WIDTH (G) TO CENTRE	1.30 m	N/R	1.47 m	N/R	1.35 m
HEIGHT (H) TO PIVOT	1.55 m	1.55 m	1.55 m	1.55 m	1.55 m

ALL DIMENSIONS ABOVE WITH 1.2 m HEAD (7062VFR 1.6 m FORWARD & 0.9 m BACKWARDS)



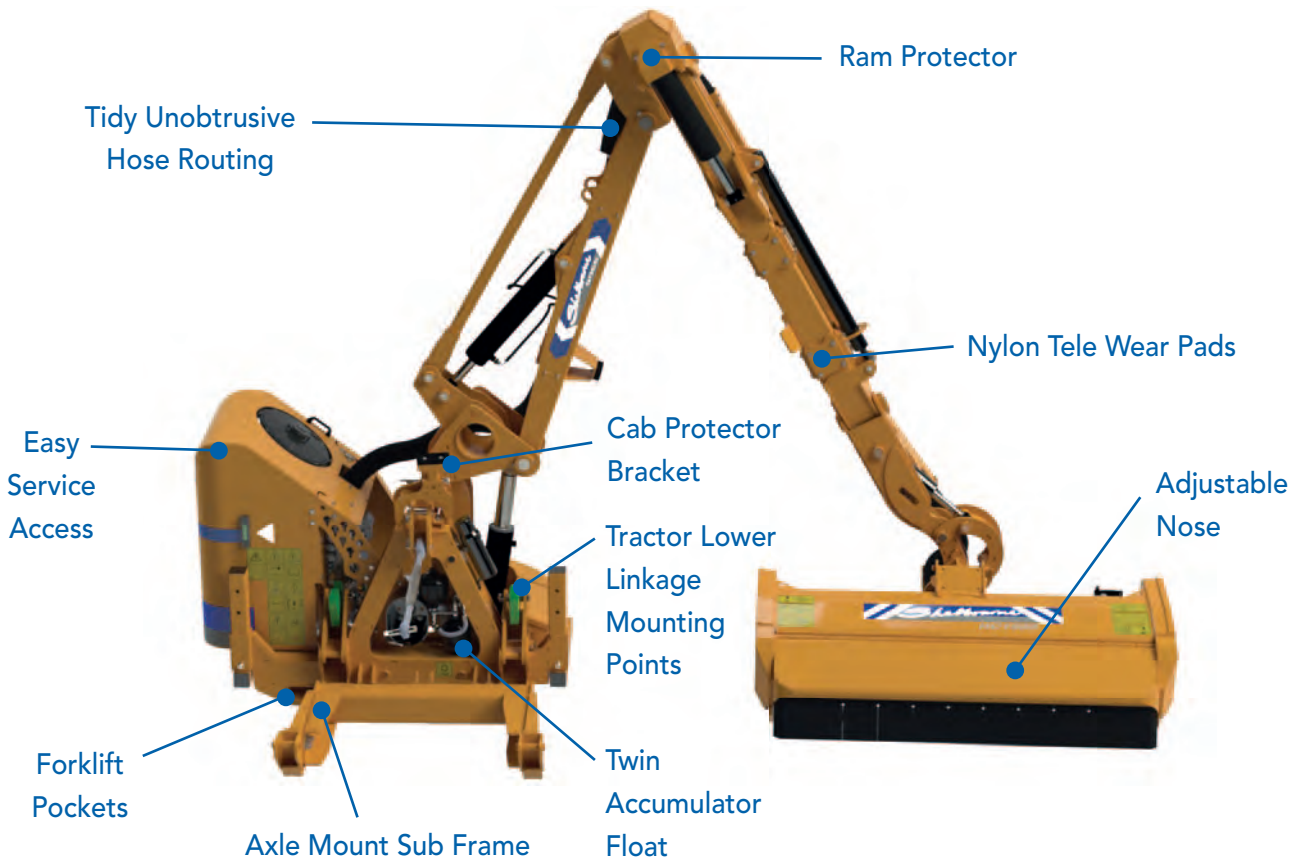
8000 SERIES

THE 8000 SERIES ARE THE MACHINES FOR THE MOST DEMANDING PROFESSIONAL USERS.

If you are a high-hour operator requiring a heavy duty hedge/verge trimmer incorporating a large number of standard features, then the 8000 series has what you're looking for.

MODEL	REACH	SPECIFICATION
8060T	6.0m	TELESCOPIC BOOM (4.8-6.0m)
8070T	7.0m	TELESCOPIC BOOM (5.5-7.0m)
8080T	8.0m	TELESCOPIC BOOM (6.2-8.0m)
8065VFRT	6.5m	VARIABLE FORWARD REACH TELESCOPIC (5.6m-6.5m)
8075VFRT	7.5m	VARIABLE FORWARD REACH TELESCOPIC (6.2-7.5m)

KEY FEATURES

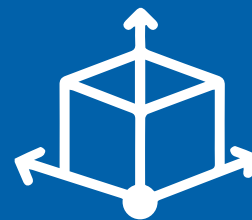


8000 SERIES

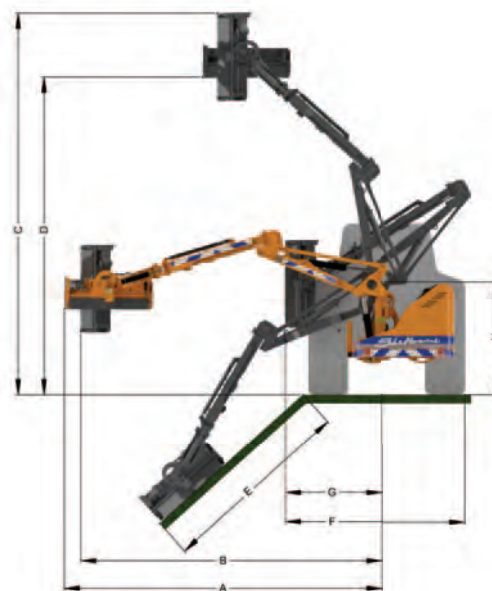
Hedge & Verge Trimmer



DIMENSIONS



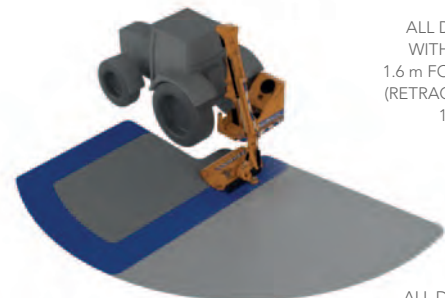
STANDARD FEATURES	8060T	8070T	8080T	8065VFRT	8075VFRT
JOYSTICK CONTROL	S-TOUCH COMPACT				
BI-DIRECTIONAL ROTOR CONTROL	ELECTRIC				
BOOM TYPE	TELESCOPIC		VFR/TELESCOPIC		
BOOM GEOMETRY	PARALLEL				
FLAIL HEAD	GP1200 (LH)				
HEAD & ARM FLOAT - (ALL MODELS)	STANDARD (OPTIONAL)				
ACCUMULATOR	TWIN				
OIL CAPACITY	230 litres				
HYDRAULIC SYSTEM	INDEPENDENT				
HYDRAULIC POWER	70 hp				
OIL COOLER	WITH AUTO REVERSE				
HYDRAULIC SLEW	102 deg				
ARM BREAK BACK RETURN	AUTO				
DRIVE SYSTEM FLOW	100 l/min				
DRIVE SYSTEM PRESSURE	275 bar				
HEAD ANGLING	250 deg				
ROAD LIGHTS & STROBE	LED				
WEIGHTS					
MACHINE WEIGHT INC HEAD & OIL	2050 kg	2100 kg	2150 kg	2200 kg	2250 kg
MIN TRACTOR WEIGHT	5500 kg				
MIN TRACTOR	130 hp				
OPTIONS					
CONTROLS	S-TOUCH MAX				
4 pt STABILISER MOUNTING	N/A				
AXLE BRACKET MOUNTING	RECOMMENDED				
85 hp HYDRAULICS	540/800 PTO INPUT				
GP1500 HEAD (LH DRIVE)	OPTIONAL				
HC1200 HEAD (LH / RH DRIVE)	OPTIONAL				
HC1600 HEAD (LH / RH DRIVE)	OPTIONAL				
HYDRAULIC HEAD ROLLER	OPTIONAL				
HYDRAULIC HEAD NOSE	HC HEADS				
NARROW LANE BRACKET	LH DRIVE (ONLY)				
VERGE KIT	OPTIONAL				
HIGHWAY KIT	OPTIONAL				
DEBRIS BLOWER	OPTIONAL				
HEAD MEMORY	OPTIONAL				
POWER MONITOR	OPTIONAL				



VFRT Manoeuvrability



ALL DIMENSIONS ON RIGHT WITH 1.2 m HEAD



ALL DIMENSIONS ON RIGHT WITH 1.2 m HEAD. 8075VFRT
1.6 m FORWARD & 1.03 m BACK (RETRACTED) 2.47 m FORWARD 1.6 m BACK (EXTENDED)

ALL DIMENSIONS ON RIGHT WITH 1.2 m HEAD. 8065VFRT
1.38 m FORWARD & 0.89 m BACK (RETRACTED) 2.00 m FORWARD 1.31 m BACK (EXTENDED)

REACH DIMENSIONS	8060T		8070T		8080T	
	RETRACTED	EXTENDED	RETRACTED	EXTENDED	RETRACTED	EXTENDED
MAX REACH (A) HEAD HORIZONTAL	4.90 m	6.03 m	5.56 m	6.98 m	6.26 m	8.02 m
MAX REACH (B) HEAD VERTICAL	4.71 m	5.84 m	5.37 m	6.79 m	6.13 m	7.89 m
MAX HEIGHT (C) HEAD VERTICAL	6.09 m	7.01 m	6.73 m	7.90 m	7.09 m	8.35 m
MAX HEIGHT (D) HEAD HORIZONTAL	5.08 m	5.99 m	5.72 m	6.89 m	6.11 m	7.38 m
MAX REACH (E) DOWNWARDS	3.05 m	4.22 m	3.68 m	5.16 m	4.29 m	6.09 m
MAX SIDING WIDTH (F) TO TANK	2.29 m	N/R	2.24 m	N/R	2.24 m	N/R
MAX SIDING WIDTH (G) TO CENTRE	1.33 m	N/R	1.28 m	N/R	1.28 m	N/R
HEIGHT (H) TO PIVOT	1.55 m	1.55 m	1.55 m	1.55 m	1.55 m	1.55 m

8075 VFRT REACH DIMENSIONS	RETRACTED			EXTENDED		
	FORWARD	STRAIGHT	BACK	FORWARD	STRAIGHT	BACK
MAX REACH (A) HEAD HORIZONTAL	5.21 m	5.88 m	5.64 m	6.02 m	7.06 m	6.68 m
MAX REACH (B) HEAD VERTICAL	5.08 m	5.75 m	5.5 m	5.88 m	6.93 m	6.54 m
MAX HEIGHT (C) HEAD VERTICAL	6.44 m	6.73 m	6.56 m	6.53 m	7.12 m	6.90 m
MAX HEIGHT (D) HEAD HORIZONTAL	5.07 m	5.45 m	5.31 m	5.53 m	6.08 m	5.90 m
MAX REACH (E) DOWNWARDS	-	3.83 m	-	-	4.94 m	-
MAX SIDING WIDTH (F) TO TANK	-	2.26 m	2.16 m	-	-	-
MAX SIDING WIDTH (G) TO CENTRE	-	1.30 m	1.19 m	-	-	-
HEIGHT (H) TO PIVOT	1.55 m	1.55 m	1.55 m	1.55 m	1.55 m	1.55 m

8065 VFRT REACH DIMENSIONS	RETRACTED			EXTENDED		
	FORWARD	STRAIGHT	BACK	FORWARD	STRAIGHT	BACK
MAX REACH (A) HEAD HORIZONTAL	4.75 m	5.32 m	5.1 m	5.29 m	6.16 m	5.84 m
MAX REACH (B) HEAD VERTICAL	4.61 m	5.17 m	4.96 m	5.15 m	6.02 m	5.7 m
MAX HEIGHT (C) HEAD VERTICAL	5.86 m	6.28 m	6.12 m	6.3 m	6.93 m	6.69 m
MAX HEIGHT (D) HEAD HORIZONTAL	4.81 m	5.24 m	5.08 m	5.25 m	5.88 m	5.65 m
MAX REACH (E) DOWNWARDS	-	3.51 m	-	-	4.36 m	-
MAX SIDING WIDTH (F) TO TANK	-	2.21 m	2.17 m	-	-	-
MAX SIDING WIDTH (G) TO CENTRE	-	1.25 m	1.2 m	-	-	-
HEIGHT (H) TO PIVOT	1.55 m	1.55 m	1.55 m	1.55 m	1.55 m	1.55 m

FLAIL HEADS

FLAIL HEAD APPLICATION GUIDE

SPECIFICATION	SM1200	GP1200	GP1500	HC1200	HC1600
SUITABLE MODELS	400 SERIES	6000/7000/8000 SERIES		7000/8000 SERIES	
CUTTING WIDTH	1.2 m	1.2 m	1.5 m	1.2 m	1.6 m
ROTOR DIAMETER	110 mm	120 mm	120 mm	150 mm	150 mm
ROLLER DIAMETER	101 mm	125 mm	125 mm	125 mm	125 mm
NUMBER FLAILS	24	24	30	30	36
HYD ROLLER	OPTIONAL	OPTIONAL	OPTIONAL	OPTIONAL	OPTIONAL
HYD NOSE	N/A	N/A	N/A	OPTIONAL	OPTIONAL
TWIN 'V' BELT DRIVE	STANDARD	STANDARD	STANDARD	STANDARD	STANDARD
LH DRIVE	STANDARD	STANDARD	STANDARD	STANDARD	STANDARD
RH DRIVE	N/A	N/A	N/A	OPTIONAL	OPTIONAL
NARROW LANE BRACKET	OPTIONAL	OPTIONAL	OPTIONAL	OPTIONAL	OPTIONAL
WEIGHT	280 kg	360 kg	400 kg	425 kg	500 kg

SM1200 HEAD

Standard on all 400 series trimmers.



- Compact
- Double Skinned
- Slide Mount
- 110mm Rotor Shaft

- Twin Vee Drive
- Optional Hydraulic Roller
- Manually Adjustable Nose
- 50mm Bearing

- Double Spiral Flail Pattern
- T or Competition Flails
- Cast Flails

FLAIL HEADS

GP1200 & GP1500

GP- General Purpose head suitable for grass or multi-year growth hedge.

GP1200 standard on all 6000, 7000 and 8000 Series.



- Low Profile
- Double Skinned
- Bolted Adjustable Nose
- Rounded Snag Free Corners



- Twin Vee Belt Drive
- Optional Hydraulic Roller
- T Or Competition Flails
- 1.2m and 1.5m Cutting Widths



- Left Hand Belt Drive Only
- Quick Hitch Attachment
- Snag Free End Guards



FLAIL HEADS

HC1200 & HC1600

High capacity Head For Single Pass Cutting



- Sleek Rounded Design
- High Material Flow
- Rounded End Guards With Recessed Fittings
- Detachable Side Deflectors



- Re-enforced Rear Rubber
- Central Quick Hitch Attachment
- Left Or Right Belt Drive
- Concealed Hose Routing



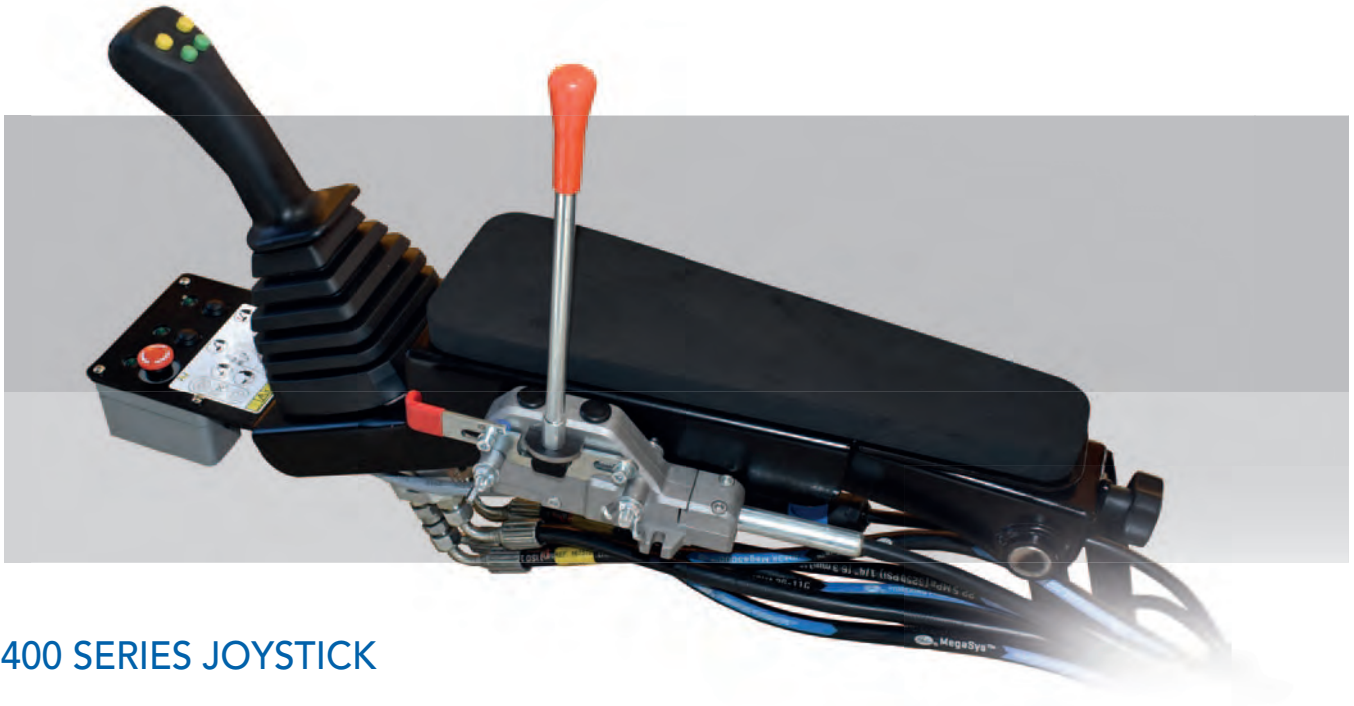
- Twin Vee Belt Drive
- Equal Size Pulleys
- 60mm Rotor Bearings
- Easy Service Access



- Concealed Hydraulic Nose Rams
- Concealed Hydraulic Roller Rams
- Hole Positions For Bolted Roller
- External Grease Points

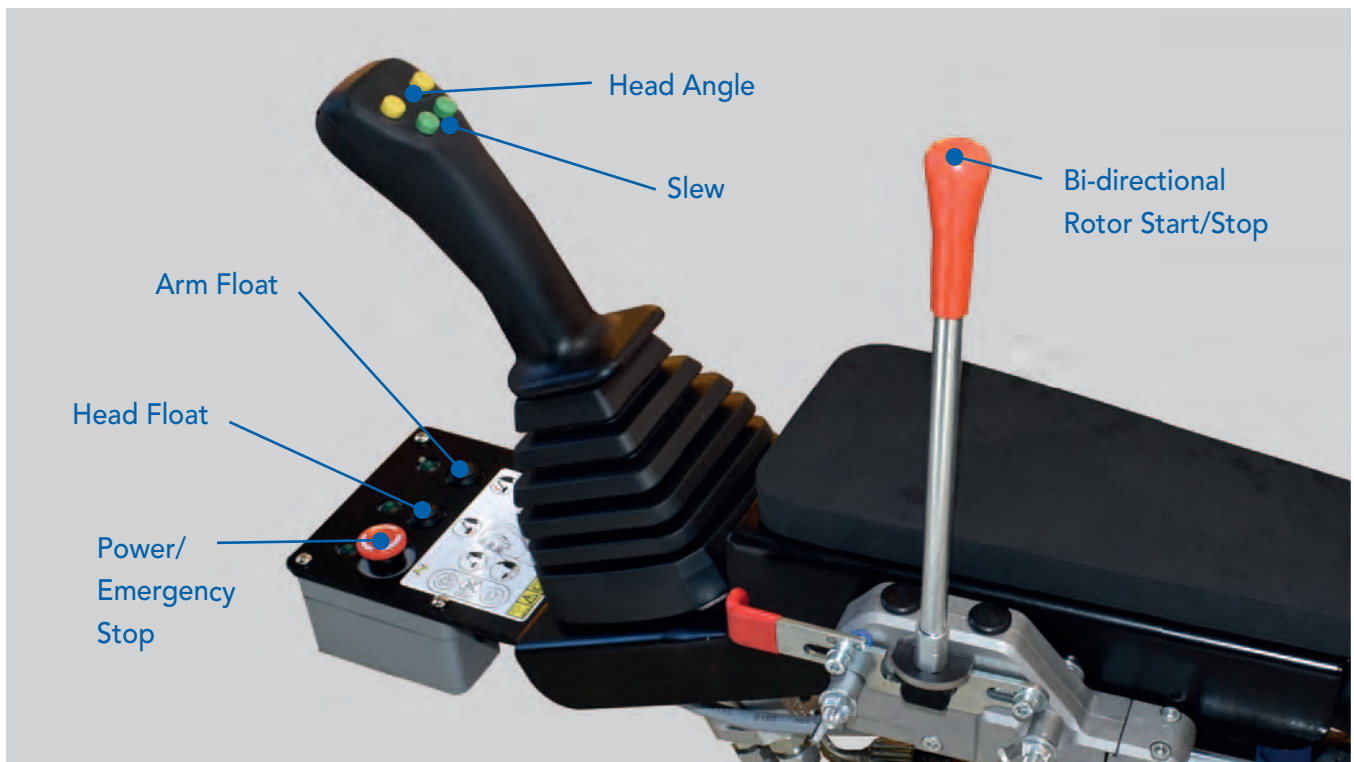
JOYSTICK CONTROL

400 Series Joystick (Optional)



400 SERIES JOYSTICK

- Optional on all 400 Series Trimmers
- Low Pressure Oil Proportional Design
- Proportional Lift and Reach Functions
- Switched Electric Head Angling and Slew
- Cable Start, Bi-Directional Rotor
- Easy Mount Seat Bracket



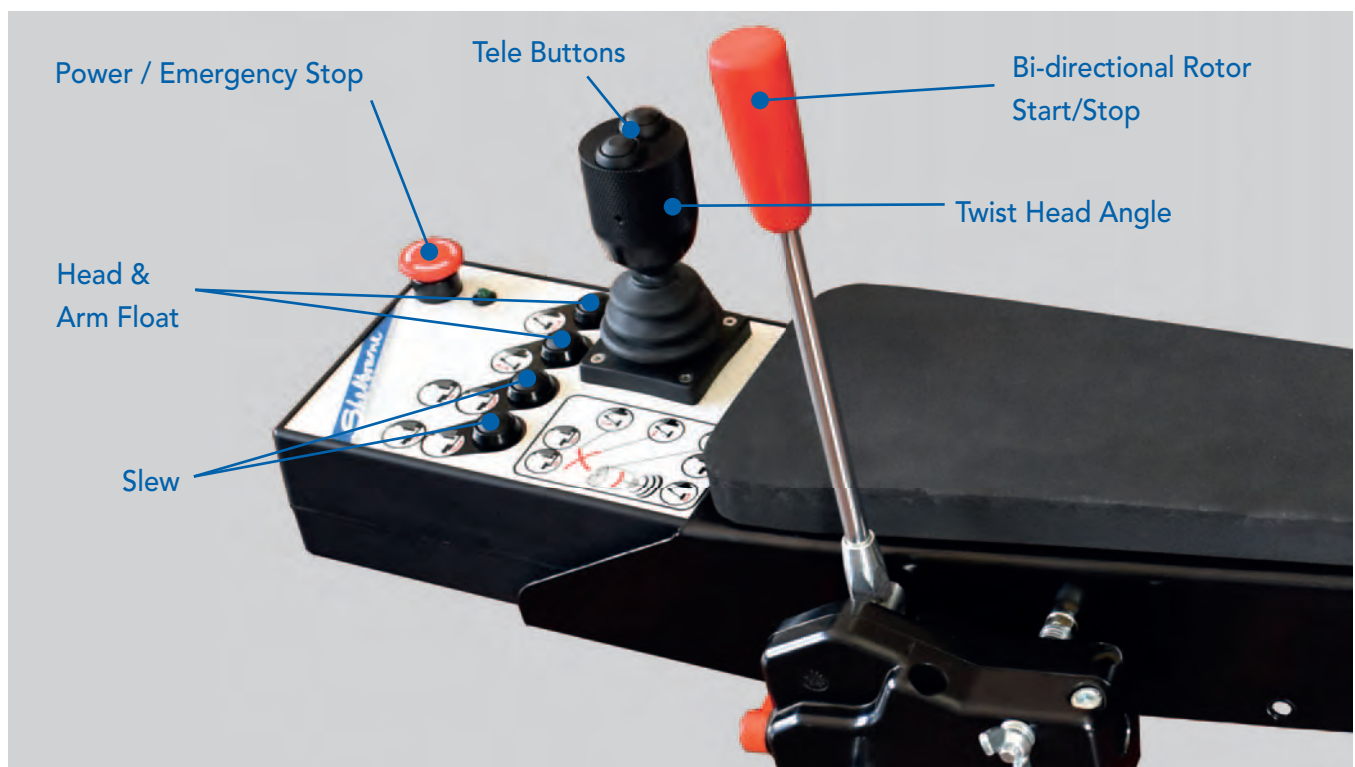
JOYSTICK CONTROL

6000 Series Joystick



6000 SERIES JOYSTICK

- Standard on all 6000 Series Trimmers
- Electric Proportional - Programmable
- Proportional Lift and Reach Functions
- Optional electric float engagement
- Switched Electric Head Angling and Slew
- Cable Start, Bi-Directional Rotor
- Easy Mount Seat Bracket
- Auto Break Back/Reset



JOYSTICK CONTROL

7000 Series Joystick



7000 SERIES JOYSTICK

- Standard on all 7000 Series Trimmers
- Digital Proportional - Programmable
- Proportional Lift, Reach and Head Angling
- Electric Start Bi-Directional Rotor
- LCD Screen
- Easy Mount Seat Bracket
- Switched Electric Slew and Telescopic
- Electric float engagement
- Auto Break Back/Reset



JOYSTICK CONTROL

S-Touch Compact Joystick - Standard on 8000 Series



S-TOUCH COMPACT CONTROL SYSTEMS

For 8000 Series Trimmers

- Compact Joystick
- 4 x Proportional Services – Lift, Reach, H/A & Slew
- Side Rocker – Head Angle Control
- Lower Rotary Wheel – Slew, Tele & VFR Control
- 6" Multi Position Touchscreen
- Easy Mount Seat Bracket
- Multi Position Armrest Adjustment
- Gas Strut for Easy Raise & Lower



JOYSTICK CONTROL

S-Touch Max Joystick - Optional on 8000 Series



S-TOUCH MAX CONTROL SYSTEMS

For 8000 Series Trimmers

- Large Multi Function Joystick
- 4 x Proportional Services – Lift, Reach, H/A & Slew
- Rear Thumb Roller – Head Angle Control
- Front Roller – Slew or VFR
- 3 x Multi Function “Hot Keys”
- 6” Multi Position Touchscreen
- Easy Mount Seat Bracket
- Multi Position Armrest Adjustment
- Gas Strut for Easy Raise & Lower





GROUND CARE



HARVESTING



LIVESTOCK



SHELBOURNE REYNOLDS
ENGINEERING LTD.

SHEPHERDS GROVE, STANTON,
BURY ST EDMUNDS,
SUFFOLK, IP31 2AR
T: 01359 250415

FIND US:



SHELBOURNE.COM