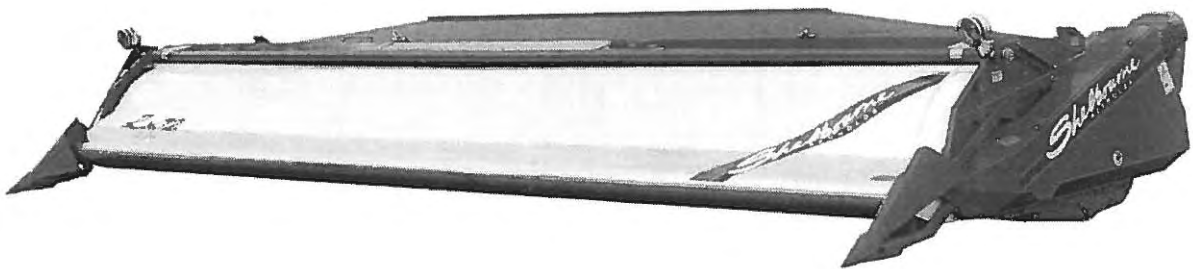


CX 72 Shelbourne Header

Pulse Special

PARTS MANUAL



Shelbourne Reynolds Engineering Ltd
Stanton
Bury St Edmunds
Suffolk IP31 2AR
England

Telephone: 01359 250415 (Stores direct 01359 251231)
Fax. No: 01359 250464 (Stores direct 01359 252031)



INVESTOR IN PEOPLE

ISSUE..1
29.3.2001

SHELBOURNE HEADER PARTS MANUAL

Your *Shelbourne* Header is designed to fit many different types of combine.

For this reason the machine number index is broken down into sections for identification. Your serial and machine numbers are listed below:

SHELBOURNE HEADER SERIAL NUMBER _____

SHELBOURNE HEADER MACHINE NUMBER _____

ADAPTOR PLATE ASSEMBLY _____

DRIVE KIT _____

HYDRAULIC FITTING KIT _____

OTHER KIT OPTIONS _____

This manual contains all parts common to the *Shelbourne* Header and is used in conjunction with the combine fittings manual, which contains the adaptor plate, and drive kit parts and fitting, and any other options available.

MACHINE IDENTIFICATION

The *Shelbourne* Header machine identification number is engraved on a plate on the top right hand corner of the header.

The adaptor plate has a plate on the top right hand corner also with the adaptor plate assembly number engraved on it.

The drive kit can be identified by description, and use of the drive kit identification number marked above.

ORDERING SPARE PARTS

To ensure that you order the correct part from your SRE dealer please use the following procedure.

ALWAYS QUOTE THE MACHINE AND SERIAL NUMBERS WHEN ORDERING.

Refer to the front of this parts list book (machine assemblies), decide if the part you want is on:

Shelbourne Head
Adaptor Kit
Drive Kit

If your part is on the Adaptor Kit, identify by matching the part number from the adaptor plate with that in the top left hand corner of the parts lists. You will find the appropriate drawing accompanying the parts list.

If the part you require is on the drive kit, ensure that you have the parts listing for the correct combine model and width. Then progress through to the next drawing following that list, for indication of that part.

If the part you require is on the *Shelbourne* Head assembly, identify the appropriate assembly by matching the part number from the *Shelbourne* Head with the page with the same number marked on the top left hand side.

Use the following sub assembly numbers and descriptions to find the area of the machine that your part is required, i.e. you need a part which is fitted to the auger, your part will be in the auger assembly parts list.

Having decided which sub-assembly your part should be under, use the number beside that sub-assembly description which will begin with 1960-- -- to find the parts listing of the sub-assembly further on in the manual. The number will be printed in the top left hand corner, the sub-assemblies are in numerical order.

Having found the correct parts list, you will find the corresponding drawing by processing through the manual to the next drawing.

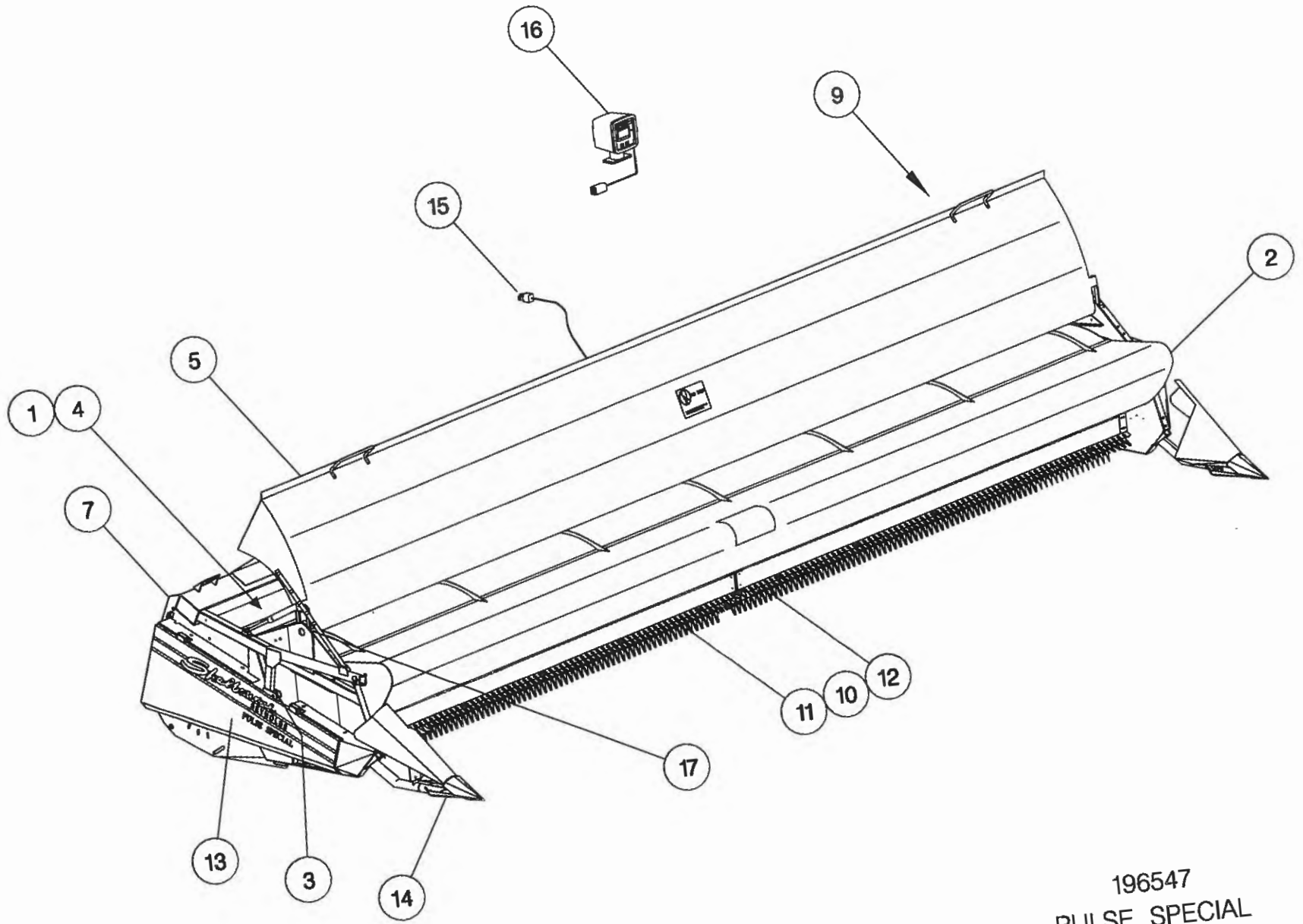
The drawings indicate the components by item numbers which you will find are repeated in the left hand side of your parts listing, and therefore referring to the correct part.

If the item within the sub-assembly is a further collection of parts (i.e. a KIT within a sub assembly) then the parts listing for this will be found just after the 1960-- -- sub-assemblies. These smaller assemblies will be in alphabetical and numerical order.

Shelbourne Reynolds Engineering Limited

ASSY NUMBER:		196547 12		ASSY DESCRIPTION: CX72 PULSE SPECIAL HEADER (1999 OFFSET)			
ITEM	PART NO	DESCRIPTION	QTY	ITEM	PART NO	DESCRIPTION	QTY
1	196102 02	AUGER MTG SUB	1				
2	196053 32	ADJ CROP DEFLECTOR SUB	1				
3	196154 12	HYDRAULICS	1				
4	196166 12	AUGER ASSY	1				
5	196116 12	HOOD SUB ASSY	1				
6							
7	196167 12	FRAME & PARTS	1				
8							
9	196181 01	ROTOR/AUGER DRIVE SUB	1				
10	196185 01	ROTOR MTG SUB	1				
11	196097 14	STRIPPING ROTOR R/H ASSY	1				
12	196097 15	STRIPPING ROTOR L/H ASSY	1				
13	196183 04	EMBLEMS AND GUARDS	1				
14	196147 01	DIVIDER SUB	1				
OR	196078 01	TORPEDO DIVIDER SUB	1				
15	RDS-0005	HEADER MONITORING KIT	1				
16	RDS-0001	COMBINE MONITOR KIT	1				
17	196143 32	HEADER LIGHTS SUB (USA ONLY)	1				

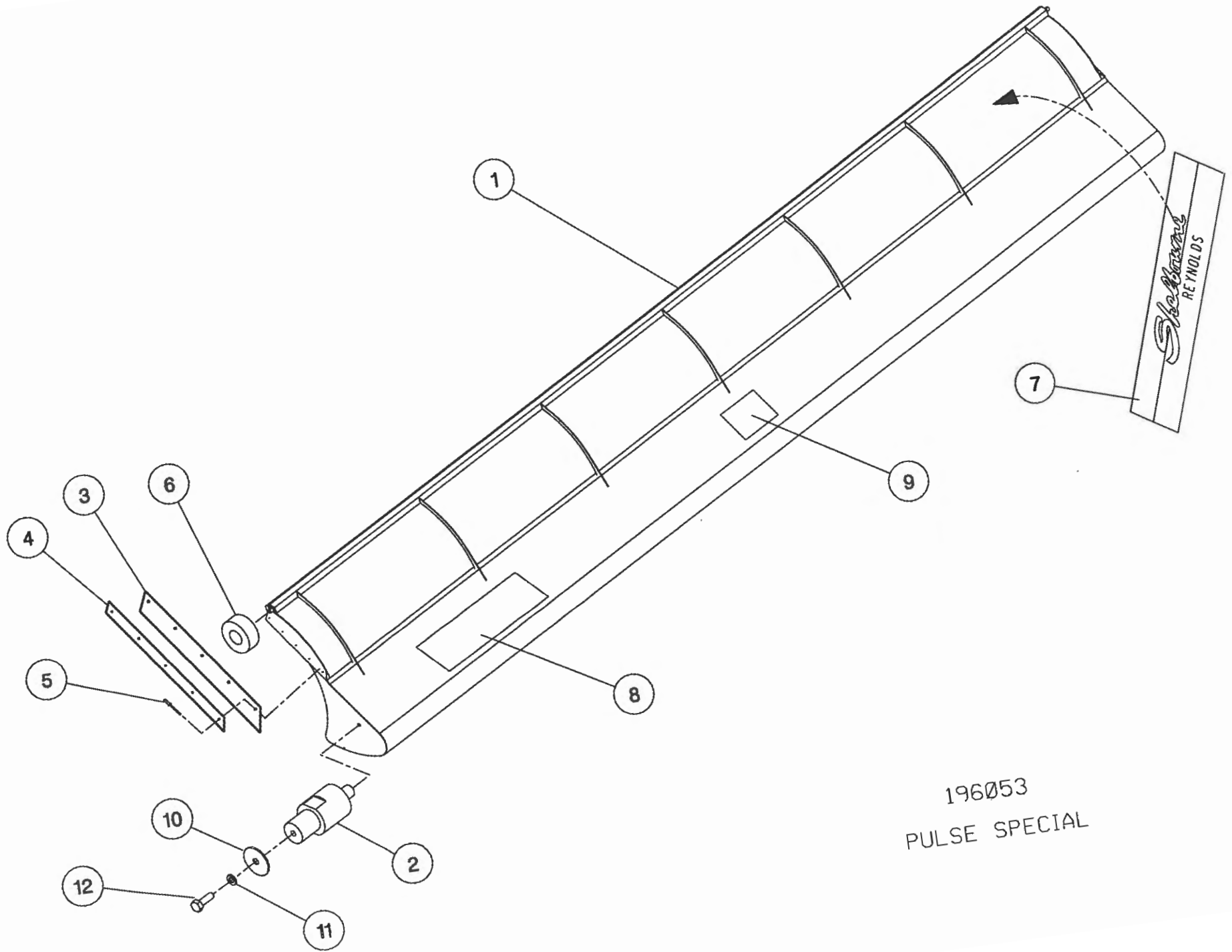
4



196547
PULSE SPECIAL

Shelbourne Reynolds Engineering Limited

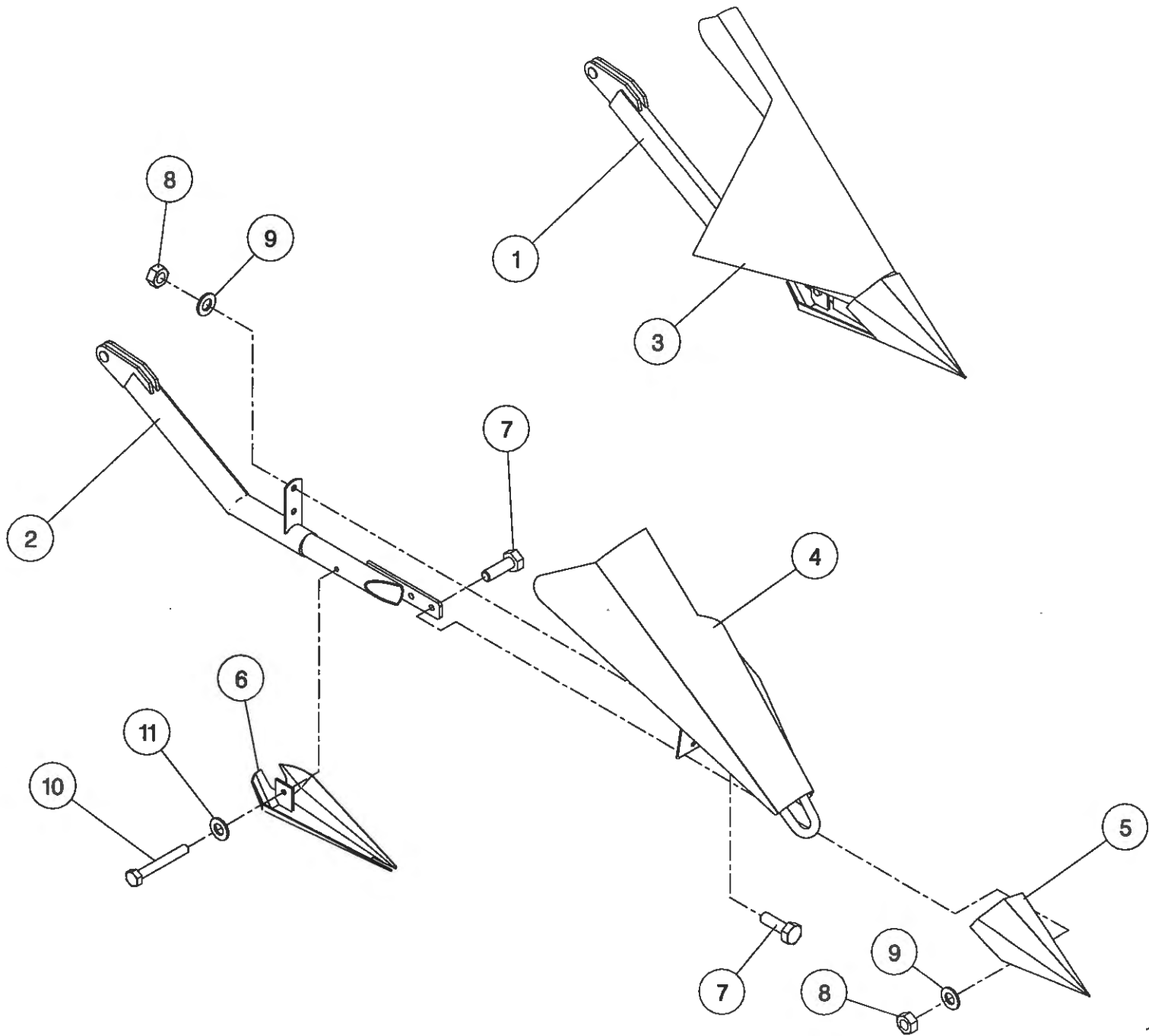
ASSY NUMBER: 196053 32		ASSY DESCRIPTION: ADJ.CROP DEFLECTOR SUB ASSY (CX72)					
ITEM	PART NO	DESCRIPTION	QTY	ITEM	PART NO	DESCRIPTION	QTY
1	192686 01	ADJ.CROP DEFLECTOR (7.2M)	1				
2	190361 01	PIVOT BUSH	2				
3	192037 01	RUBBER SEAL	2				
4	192038 01	CLAMP STRIP	2				
5	POP-0006	POP RIVET	10				
6	191642 01	ROLLER	2				
7	191981 01	EMBLEM (SHEL.REYNOLDS)	1				
8	192735 08	EMBLEM (CX72)	1				
9	192718 01	TRANSFER (NO STEP)	1				
10	190119 05	PLAIN WASHER	2				
11	WSH-0058	WASHER	2				
12	HSS-0140	SETSCREW	2				



196053
PULSE SPECIAL

Shelbourne Reynolds Engineering Limited

ASSY NUMBER:		196078 01		ASSY DESCRIPTION: TORPEDO DIVIDERS FOR RX & CX MACHINES			
ITEM	PART NO	DESCRIPTION	QTY	ITEM	PART NO	DESCRIPTION	QTY
1	192533 01	DIVIDER ARM LH	1				
2	192533 02	DIVIDER ARM RH	1				
3	192537 01	DIVIDING PLATE LH	1				
4	192537 02	DIVIDING PLATE RH	1				
5	191770 01	NOSE CONE	2				
6	191862 01	SHOE	2				
7	HSS-0191	SETSCREW	8				
8	NUT-0265	NUT	8				
9	WSH-0015	WASHER	8				
10	HSS-0155	BOLT	2				
11	WSH-0058	WASHER	2				



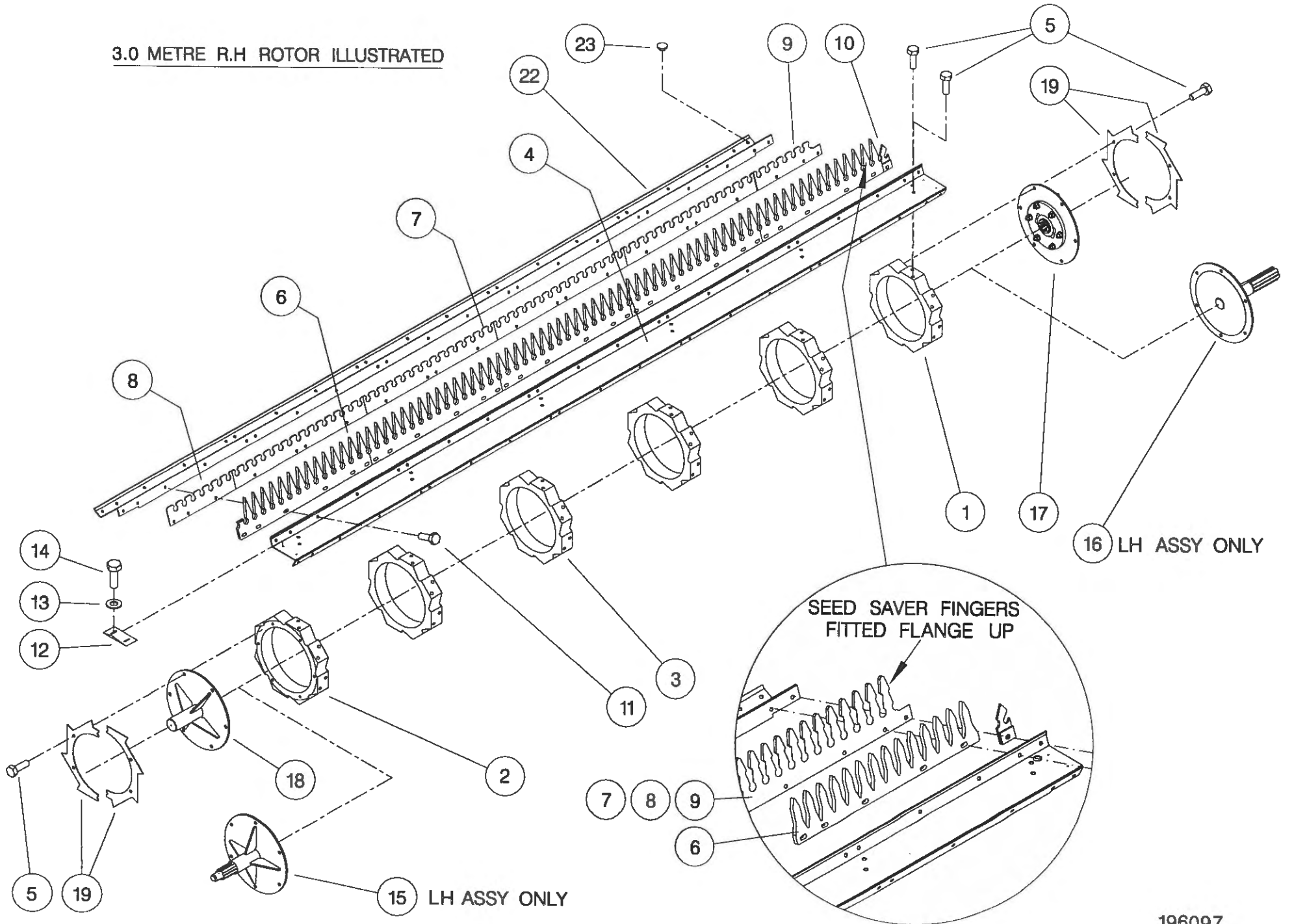
Shelbourne Reynolds Engineering Limited

ASSY NUMBER: 196097 14				ASSY DESCRIPTION: STRIPPING ROTOR ASSY (R/H) 3.6m			
ITEM	PART NO	DESCRIPTION	QTY	ITEM	PART NO	DESCRIPTION	QTY
1	192892 01	OUTER HUB CASTING L.H.	1				
2	192892 02	OUTER HUB CASTING R.H.	1				
3	192892 03	INNER HUB CASTING	5				
4	192890 03	ROTOR SECTION 3.6M	7				
5	HSSG10204	SET SCREW	124				
6	191968 02	ELITE ELEMENT	48				
OR	193087 01	ELITE ELEMENT (SLOTTED)	48				
OR	193558 01	STANDARD ELEMENT (SEED SAVE)	48				
7	192291 01	ANTI WEAR STRIP CTR.	40				
OR	192291 07	S-TYPE STRIP CTR	40				
OR	193780 01	SEED SAVER FINGER CTR.	40				
8	192291 02	ANTI WEAR STRIP END	8				
OR	192291 08	S-TYPE STRIP END	8				
OR	193782 02	SEED SAVER FINGER RH END	8				
9	192291 03	ANTI WEAR STRIP CTR END	8				
OR	192291 09	S-TYPE STRIP CTR END	8				
OR	193781 01	SEED SAVER RH CTR END	8				
10	191865 02	CENTRE FINGER RH (RICE)	8				
OR	194109 02	CENTRE FINGER RH (CEREALS)	8				
11	HSSF08174	SET SCREW	208				
12	192679 01	ANTI WRAP PLATE	8				
13	WSH-1034	PENNY WASHER	16				
14	SCW-5180	SELF TAP. SCREW	16				
15							
16							
17	KIT-00976	BALL COUPLING KIT	1				
18	192899 01	IDLE SHAFT W/ASSY	1				
19	192959 01	OUTER CLAMP RING (HALF)	4				
20							
21							
22	193117 03	ROTOR SECTION 3.6M (HOLE)	1				
23	BPG-00200	BODY PLUG	1				

Shelbourne Reynolds Engineering Limited

ASSY NUMBER:		196097 15		ASSY DESCRIPTION:STRIPPING ROTOR ASSY (L/H) 3.6m			
ITEM	PART NO	DESCRIPTION	QTY	ITEM	PART NO	DESCRIPTION	QTY
1	192892 01	OUTER HUB CASTING L.H.	1				
2	192892 02	OUTER HUB CASTING R.H.	1				
3	192892 03	INNER HUB CASTING	5				
4	192890 03	ROTOR SECTION 3.6M	8				
5	HSSG10204	SET SCREW	124				
6	191968 02	ELITE ELEMENT	48				
OR	193087 01	ELITE ELEMENT (SLOTTED)	48				
OR	193558 01	STANDARD ELEMENT (SEED SAVE)	48				
7	192291 01	ANTI WEAR STRIP CTR.	40				
OR	192291 07	S-TYPE STRIP CTR	40				
OR	193780 01	SEED SAVER FINGER CTR.	40				
8	192291 02	ANTI WEAR STRIP END	8				
OR	192291 08	S-TYPE STRIP END	8				
OR	193782 01	SEED SAVER FINGER LH END	8				
9	192291 03	ANTI WEAR STRIP CTR END	8				
OR	192291 09	S-TYPE STRIP CTR END	8				
OR	193781 02	SEED SAVER LH CTR END	8				
10	191865 01	CENTRE FINGER LH (RICE)	8				
OR	194109 01	CENTRE FINGER LH (CEREALS)	8				
11	HSSF08174	SET SCREW	208				
12	192679 01	ANTI WRAP PLATE	8				
13	WSH-1034	PENNY WASHER	16				
14	SCW-5180	SELF TAP.SCREW	16				
15	193103 01	CENTRE SHAFT W/ASSY	1				
16	192897 01	DRIVE SHAFT W/ASSY	1				
17							
18							
19	192959 01	OUTER CLAMP RING (HALF)	4				
20							
21							
22							
23							
24							

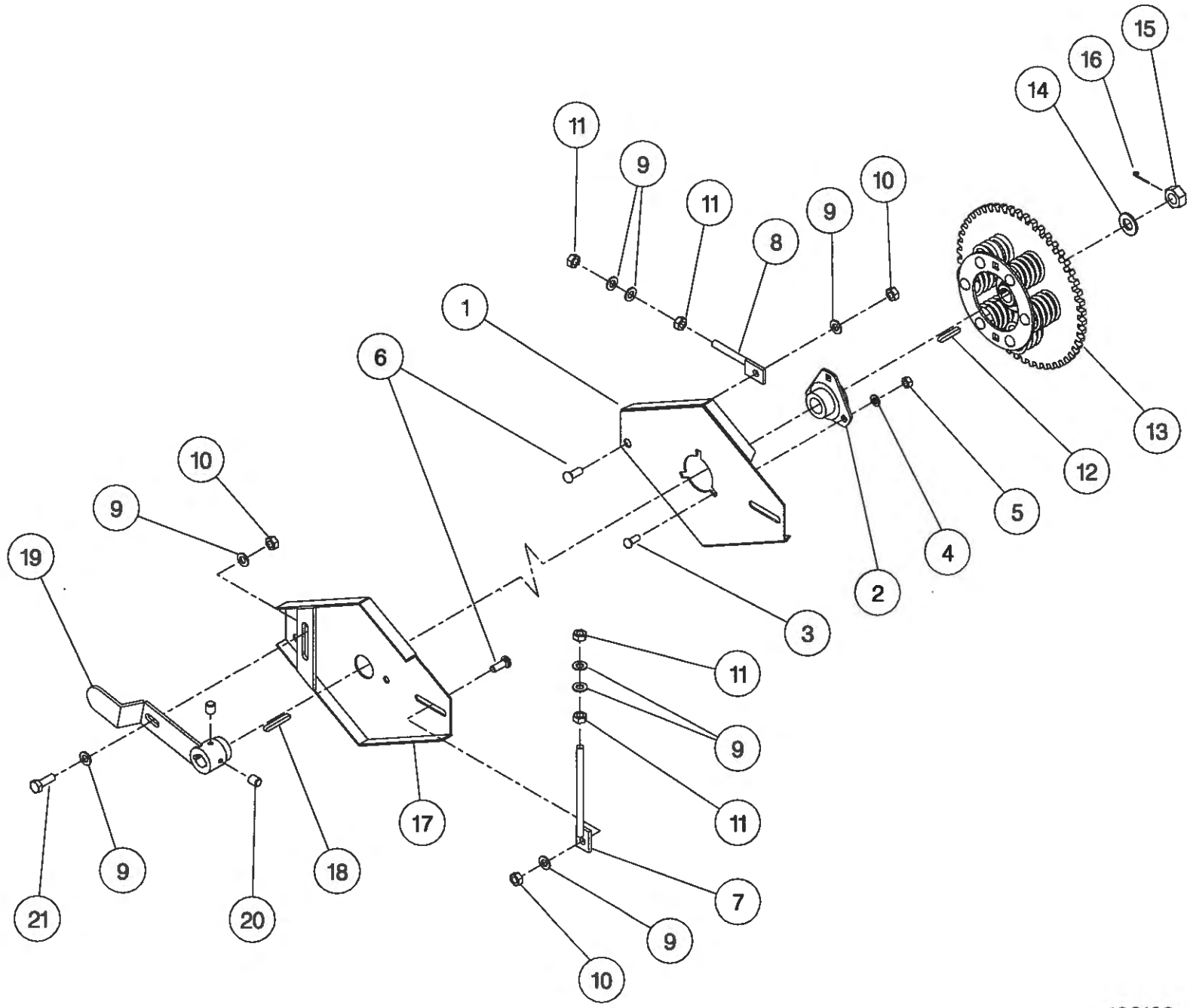
3.0 METRE R.H ROTOR ILLUSTRATED



13

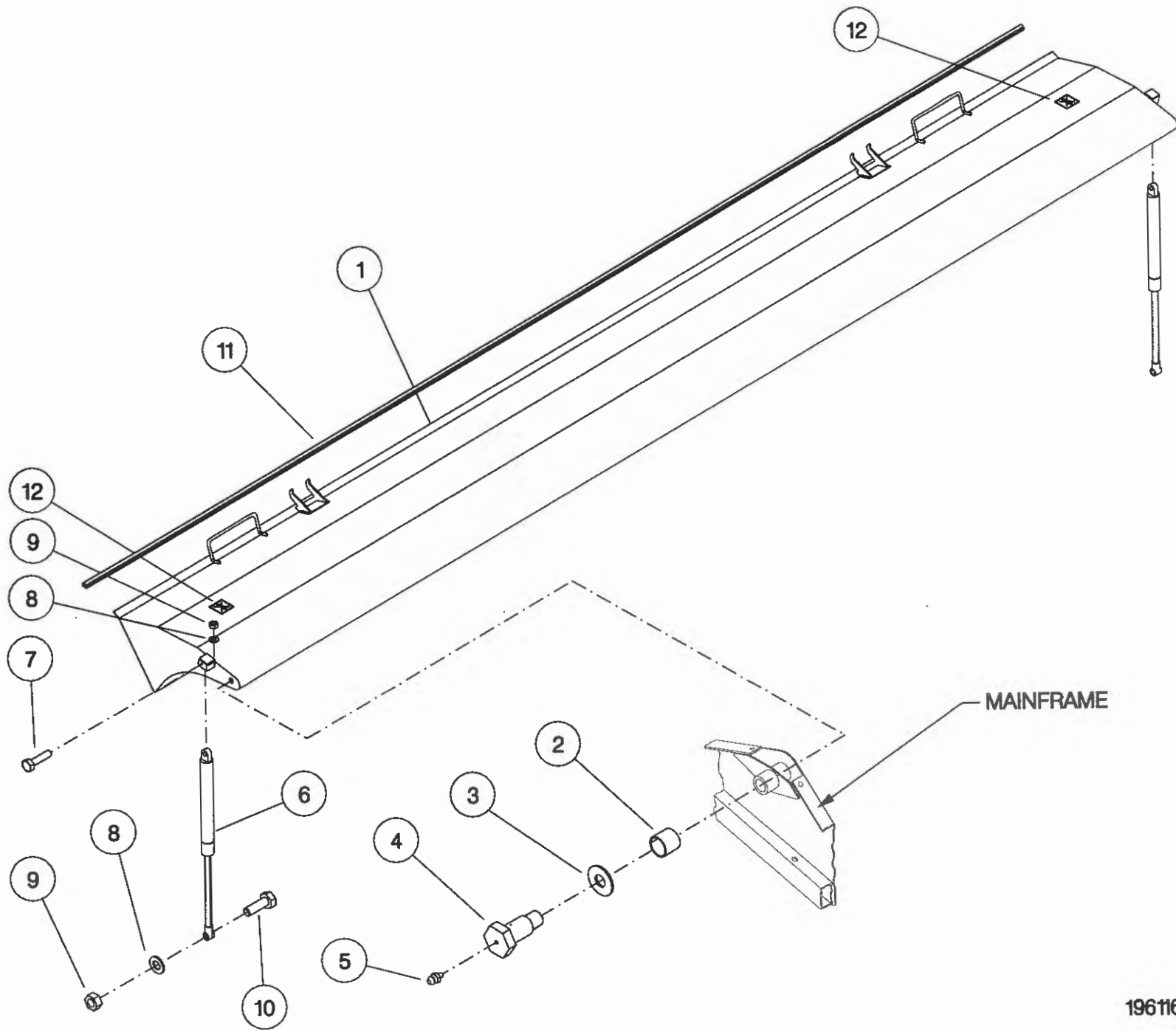
Shelbourne Reynolds Engineering Limited

ASSY NUMBER:		196102 02		ASSY DESCRIPTION:AUGER MOUNTING/DRIVE KIT (CX) 1996			
ITEM	PART NO	DESCRIPTION	QTY	ITEM	PART NO	DESCRIPTION	QTY
1	200035 03	SUPPORT PLATE L.H.	1				
2	BRG-0240	BEARING	1				
3	BLT-3745	COACH BOLT	3				
4	WSH-0015	PLAIN WASHER	3				
5	NUT-0265	NYLOC NUT	3				
6	BLT-3790	COACH BOLT	4				
7	192636 06	VERTICAL ADJUSTER	2				
8	192636 01	HORIZONTAL ADJUSTER	2				
9	WSH-0018	PLAIN WASHER	14				
10	NUT-0269	NYLOC NUT	5				
11	NUT-0170	PLAIN NUT	8				
12	K0807050	KEY	1				
13	KIT-00109	AUGER SLIP CLUTCH	1				
14	WSH-0030	PLAIN WASHER	1				
15	NUT-0580	CASTLE NUT	1				
16	PIN-1150	SPLIT PIN	1				
17	200038 01	SUPPORT PLATE R.H.	1				
18	K0807060	KEY	1				
19	200120 03	ADJUSTER ASSY	1				
20	SCW-4535	GRUB SCREW	2				
21	HSS-0241	SET SCREW	1				



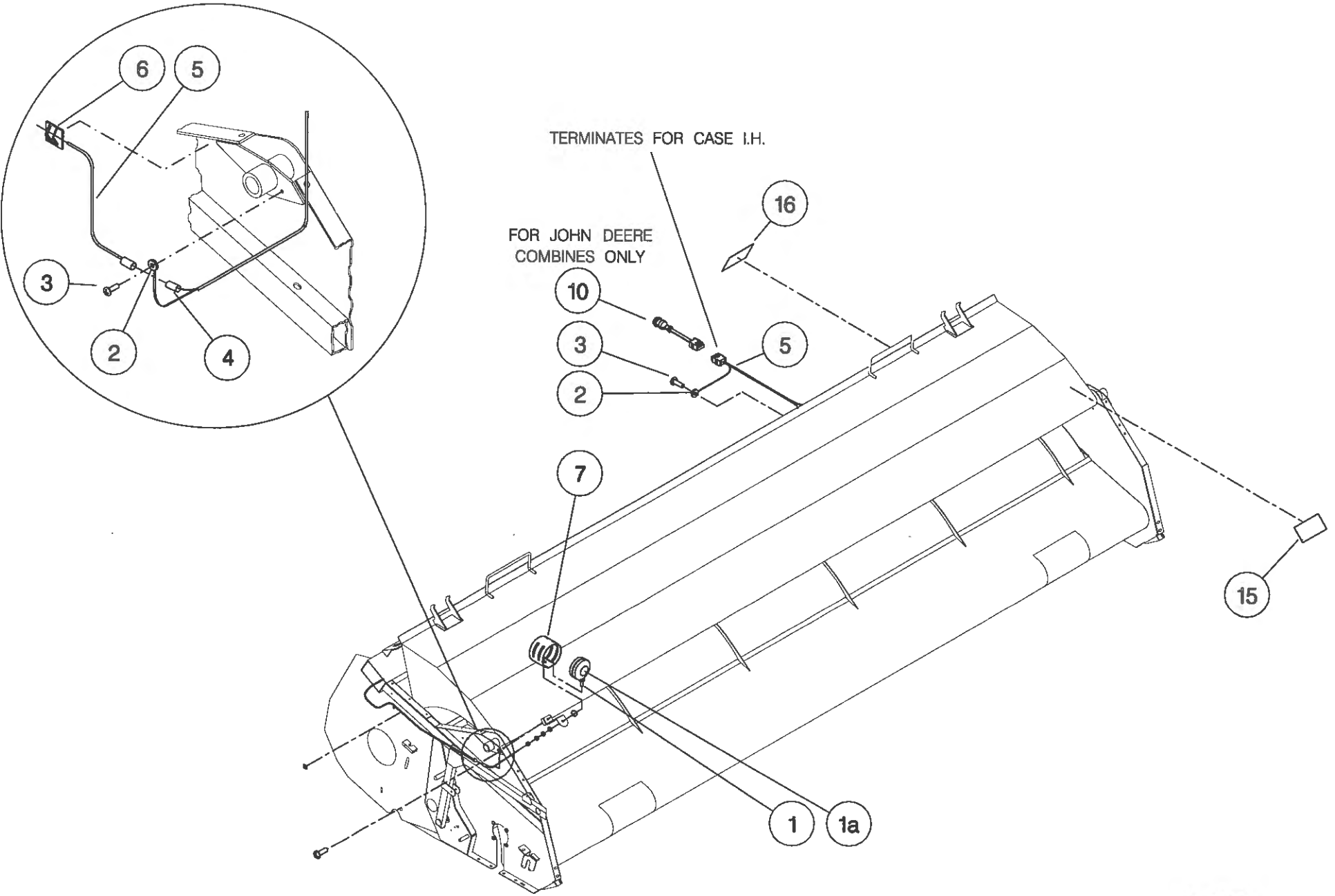
Shelbourne Reynolds Engineering Limited

ASSY NUMBER:		196116 12		ASSY DESCRIPTION: TOP DOOR COWL ASSY (CX72) 1997			
ITEM	PART NO	DESCRIPTION	QTY	ITEM	PART NO	DESCRIPTION	QTY
1	193255 01	COWL ASSY (CX72)	1				
2	BSH-3030	BUSH	2				
3	192813 01	LARGE WASHER	2				
4	192812 01	COWL PIN	2				
5	NIP-0001	GREASE ZERK	2				
6	GSTA14406	GAS STRUTT	2				
7	BLTA10410	BOLT	2				
8	WSH-0015	WASHER	4				
9	NUT-0265	NUT	4				
10	BLTA10290	BOLT	2				
11	EDS-11600	SEAL STRIP	7.2m				
12	192718 01	TRANSFER (NO STEP)	2				



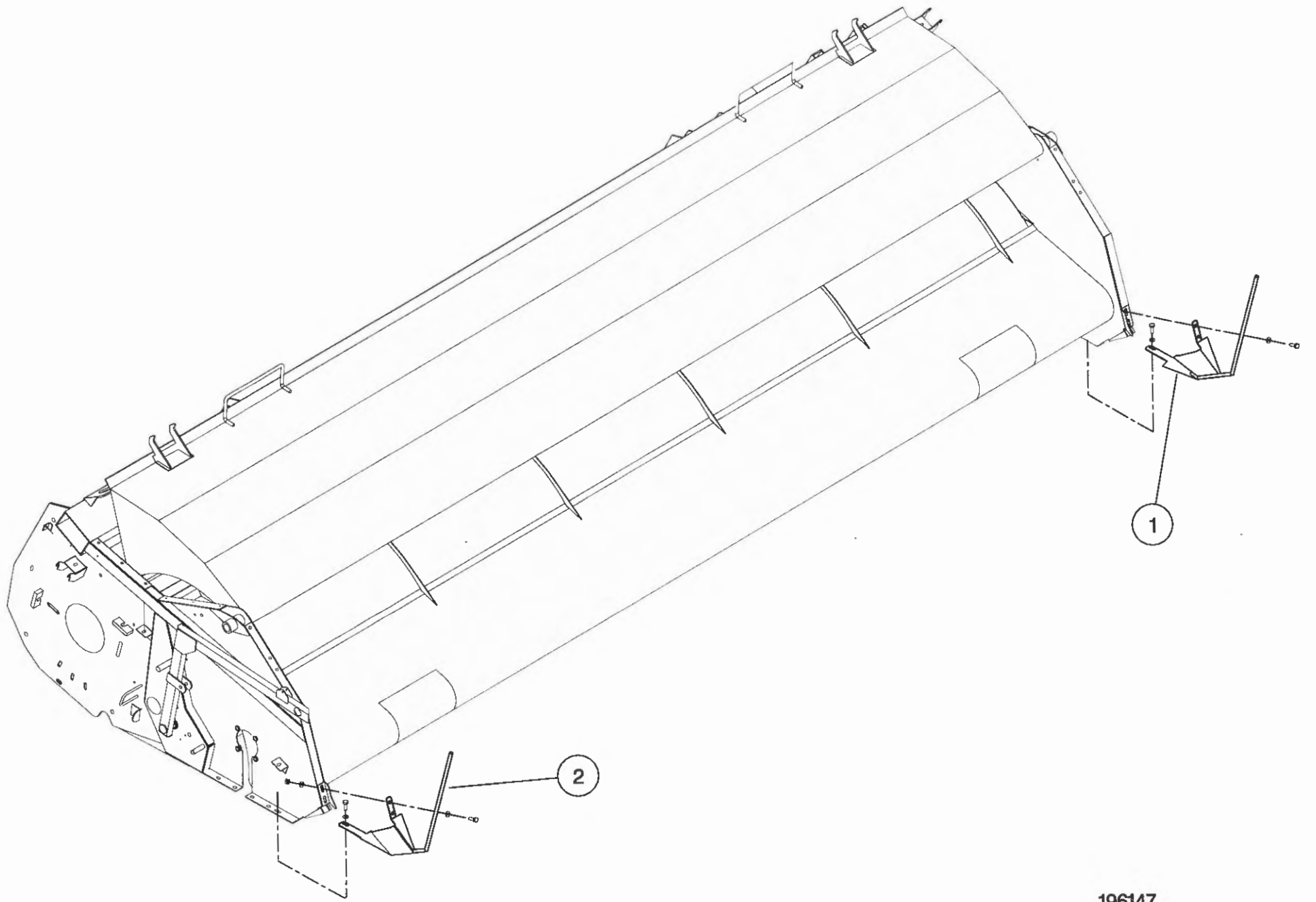
Shelbourne Reynolds Engineering Limited

ASSY NUMBER:		196143 32		ASSY DESCRIPTION: HEADER LIGHTS SUB 7.2M (OFFSET)			
ITEM	PART NO	DESCRIPTION	QTY	ITEM	PART NO	DESCRIPTION	QTY
1	LMP-10501	INDICATOR LIGHT ASSY	2				
1a	BLB-0075	BULB	2				
2	ETM-00440	LOOP TERMINAL	2				
3	SCW-5180	SELF TAP SCREW	3				
4	ETM-00560	MALE BULLET TERM.	2				
5	193513 11	WIRE LOOM & PLUG ASSY	1				
6	CFC-00500	FIXING CLIP	6				
7	193567 01	INDICATOR GUARD	2				
8							
9							
10	193516 01	LOOM & PLUG ASSY (JD ONLY)	1				
11							
12							
13							
14							
15	TPE-00250	REFLECTIVE TAPE - AMBER	0.1				
15	TPE-00250	REFLECTIVE TAPE - AMBER	0.1				
16	TPE-00251	REFLECTIVE TAPE - RED	0.1				
16	TPE-00251	REFLECTIVE TAPE - RED	0.1				



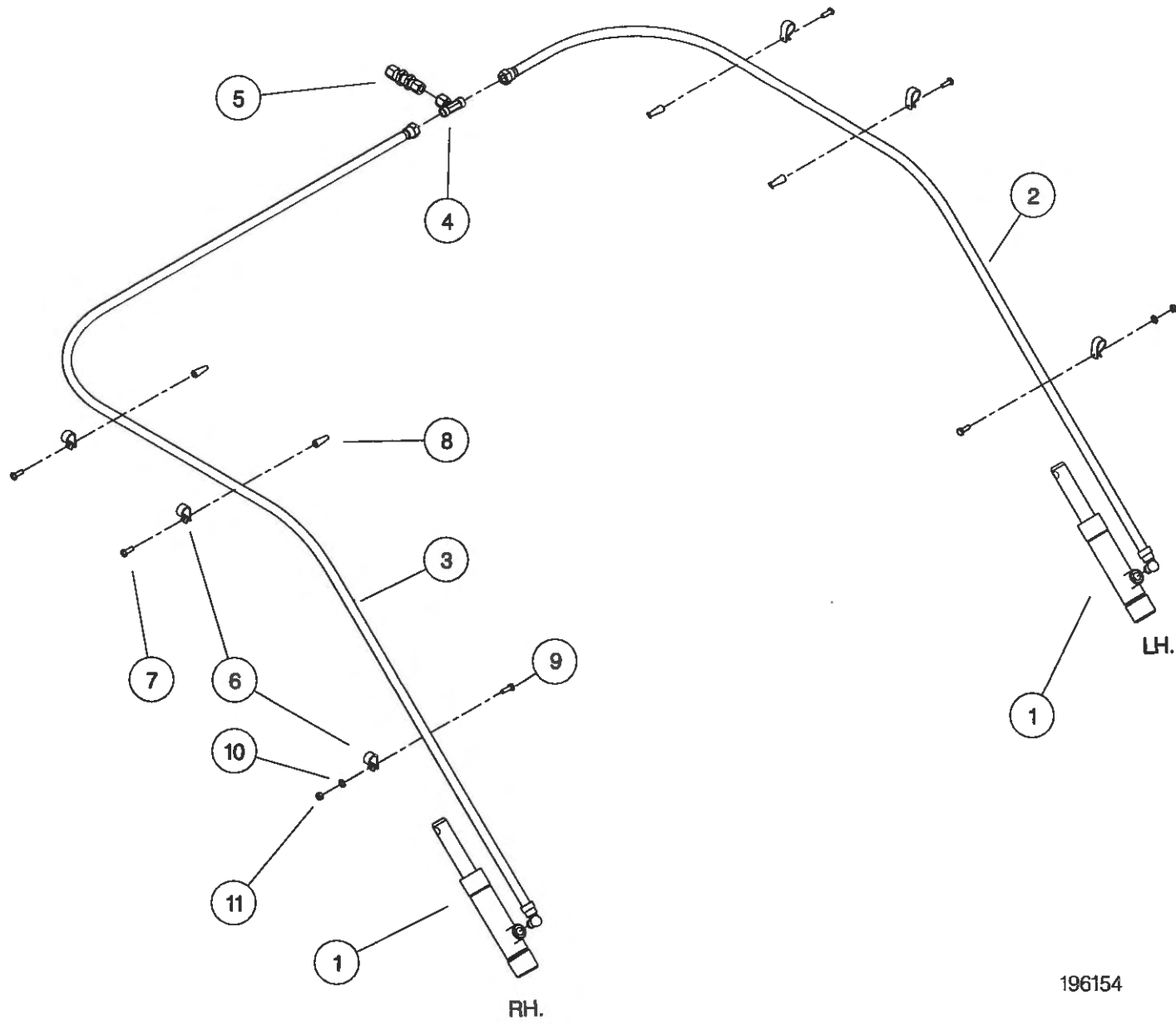
Shelbourne Reynolds Engineering Limited

ASSY NUMBER:		196147 01		ASSY DESCRIPTION: FIXED DIVIDER SUB (CX 1998)			
ITEM	PART NO	DESCRIPTION	QTY	ITEM	PART NO	DESCRIPTION	QTY
1	193523 01	FIXED DIVIDER LH	1				
2	193523 02	FIXED DIVIDER RH	1				



Shelbourne Reynolds Engineering Limited

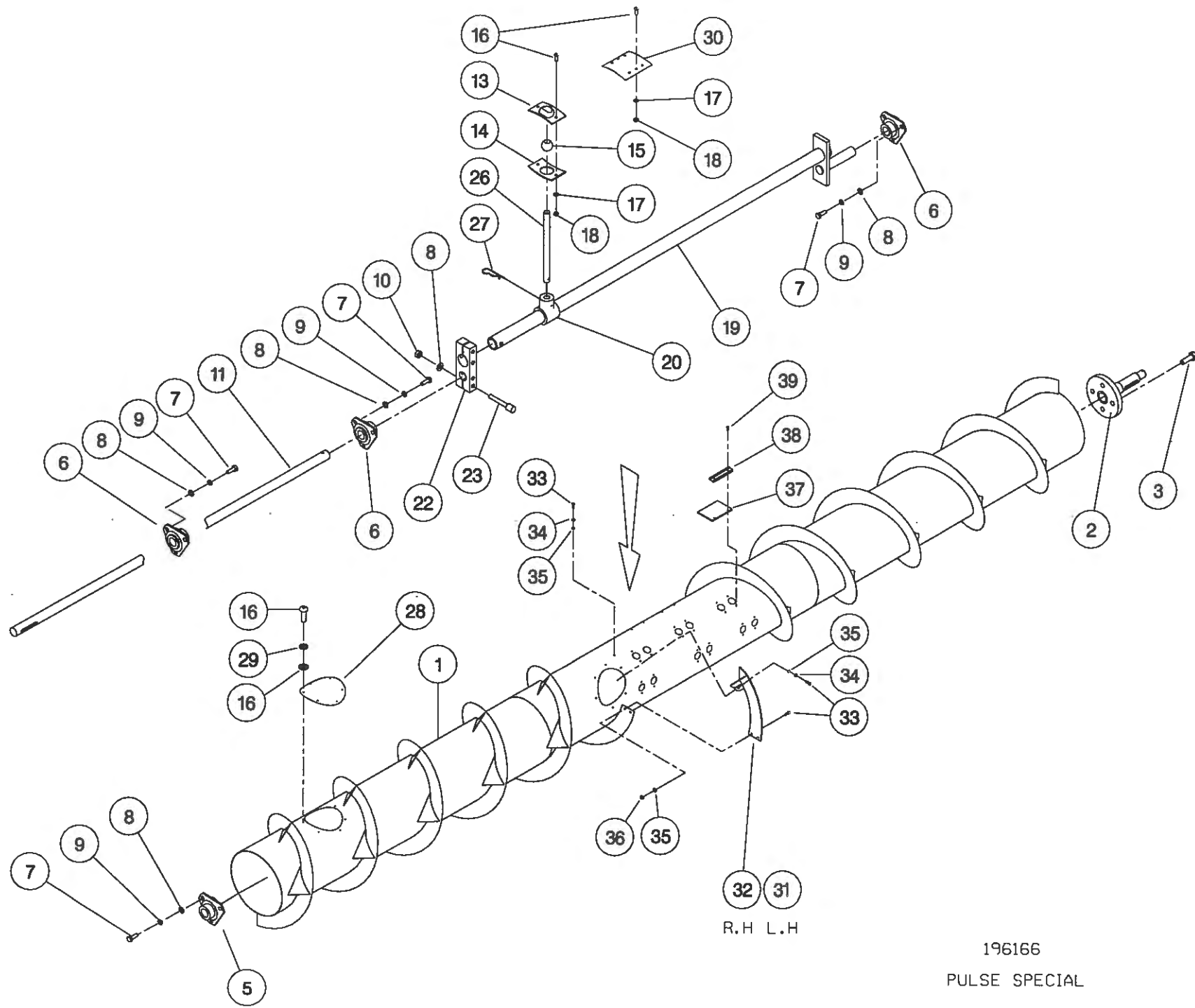
ASSY NUMBER: 196154 12		ASSY DESCRIPTION: HYDRAULIC CIRCUIT SUB (7.2M OFFSET)					
ITEM	PART NO	DESCRIPTION	QTY	ITEM	PART NO	DESCRIPTION	QTY
1	REF	HYDRAULIC RAM	2				
2	HHBC32410	HYDRAULIC HOSE LH	1				
3	HHBC61810	HYDRAULIC HOSE RH	1				
4	HPPD07100	HYD.TEE FITTING	1				
5	FIT-0213	HYD.BULKHEAD FITT.	1				
6	CLP-01012	P CLIP	6				
7	SCW-5180	SELF TAP SCREW	4				
8	PFS-00500	PANEL FASTENER	4				
9	HSS-0086	SETSCREW	2				
10	WSH-0009	PLAIN WASHER	2				
11	NUT-0260	NYLOC NUT	2				



196154

Shelbourne Reynolds Engineering Limited

ASSY NUMBER:		196166 12		ASSY DESCRIPTION: AUGER ASSY 7.2M (PULSE SPECIAL OFFSET)			
ITEM	PART NO	DESCRIPTION	QTY	ITEM	PART NO	DESCRIPTION	QTY
1	193445 01	AUGER W.ASSY.	1	26	192310 01	FINGER	
2	192011 01	AUGER DRIVE SHAFT	1			(16 FINGERS OPTION)	16
3	HSSF12204	SET SCREW	4	OR		(20 FINGERS OPTION)	20
4				OR		(24 FINGERS OPTION)	24
5	BRG-2020	BEARING	1	27	AUG-03000	HAIRPIN COTTER	
6	BRG-0240	BEARING	3			(16 FINGERS OPTION)	16
7	HSS-0191	SET SCREW	12	OR		(20 FINGERS OPTION)	20
8	WSH-0015	PLAIN WASHER	16	OR		(24 FINGERS OPTION)	24
9	WSH-0061	SPRING WASHER	12	28	193203 01	COVER PLATE	3
10	NUT-0265	NYLOC NUT	4	29	WSH-0056	SPRING WASHER	18
11	192363 08	AUGER SHAFT	1	30	190735 01	BLANKING PLATE	
12						(16 FINGERS OPTION)	8
13	AUG-01000	UPPER FINGER PL. (CONCAVE)		OR		(20 FINGERS OPTION)	4
		(16 FINGERS OPTION)	16	OR		(24 FINGERS OPTION)	0
OR		(20 FINGERS OPTION)	20	31	192227 01	AUGER FLIGHT EXTENSION LH	1
OR		(24 FINGERS OPTION)	24	32	192227 02	AUGER FLIGHT EXTENSION RH	1
14	AUG-01500	LOWER FINGER PL. (CONVEX)		33	SCBA08172	BUT. SKT HD SCREW	8
		(16 FINGERS OPTION)	16	34	WSH-0058	WASHER	4
OR		(20 FINGERS OPTION)	20	35	WSH-0012	WASHER	8
OR		(24 FINGERS OPTION)	24	36	NUT-0263	NUT	4
15	AUG-02000	FINGER GUIDE (BALL)		37	193835 01	RUBBER PADDLE	
		(16 FINGERS OPTION)	16			(16 FINGERS OPTION)	8
OR		(20 FINGERS OPTION)	20	OR		(20 FINGERS OPTION)	8
OR		(24 FINGERS OPTION)	24	OR		(24 FINGERS OPTION)	12
16	SCW-4960	BUTT.HD.SKT.SCREW		38	193836 01	CLAMP STRIP	
		(16 FINGERS OPTION)	32			(16 FINGERS OPTION)	8
OR		(20 FINGERS OPTION)	32	OR		(20 FINGERS OPTION)	8
OR		(24 FINGERS OPTION)	24	OR		(24 FINGERS OPTION)	12
17	WSH-0009	PLAIN WASHER	66	39	SCW-4963	BUTT.HD.SKT.SCREW	
18	NUT-0260	NYLOC NUT	48			(16 FINGERS OPTION)	16
19	192368 01	AUGER CRANK	1	OR		(20 FINGERS OPTION)	16
20	AUG-02500	FINGER HOLDER	24	OR		(24 FINGERS OPTION)	24
21	SCW-4959	BUTT.HD.SKT.SCREW	18				
22	192364 01	AUGER CLAMP	1				
23	SCCA10412	CAP HD SKT SCREW	4				
24							
25							

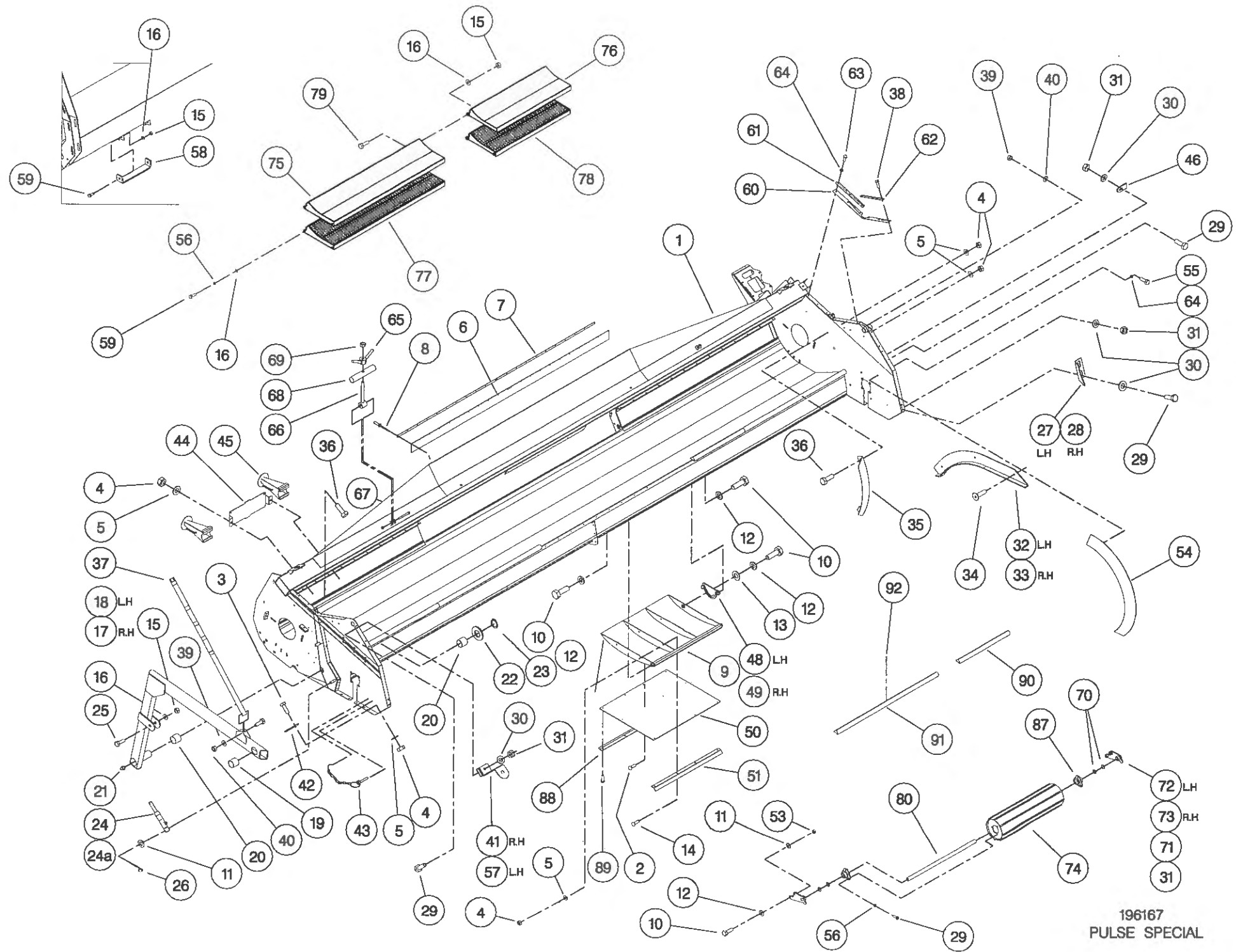


Shelbourne Reynolds Engineering Limited

ASSY NUMBER:		196167 12		ASSY DESCRIPTION: FRAME & PARTS SUB CX72 PULSE SPECIAL			
ITEM	PART NO	DESCRIPTION	QTY	ITEM	PART NO	DESCRIPTION	QTY
1	194199 01	CX72 MAIN FRAME ASSY	1	38	HSS-0092	SETSCREW	1
2	SCW-1740	SCREW	16	39	WSH-0009	PLAIN WASHER	8
3	BLT-4710	COACH BOLT	2	40	NUT-0260	NYLOC NUT	8
4	NUT-0263	NUT	51	41	193480 01	SUPPORT BRACKET	1
5	WSH-0012	WASHER	51	42	192543 01	CROP DIVIDER ADJ. PLATE	2
6	191340 01	RUBBER SEAL	1	43	PIN-01790	LYNCH PIN & CHAIN	2
7	191339 01	CLAMP STRIP	2	44	193221 01	HEADER STAND BRACKET	1
8	POP-0006	POP RIVET	22	45	193222 01	HEADER FRONT STAND	2
9	193219 01	SKID	4	46	192550 01	NOSE ARM STOP PLATE	1
10	HSS-0316	SET SCREW	32	47			
11	WSH-0024	WASHER	12	48	193828 01	SKID ADJUSTER PLATE LH	4
12	WSH-0070	WASHER	28	49	193828 02	SKID ADJUSTER PLATE RH	4
13	190119 07	WASHER	8	50	193431 01	SKID WEAR PLATE	4
14	BLT-2700	COACH BOLT	32	51	193429 01	SKID WEAR CLAMP STRIP	4
15	NUT-0269	NUT	12	52			
16	WSH-0018	WASHER	12	53	NUT-0271	NYLOC NUT	2
17	191259 02	ADJ COWL SUPPORT ARM R.H	1	54	193363 01	ROTOR DEFLECTOR	2
18	191259 01	ADJ COWL SUPPORT ARM L.H	1	55	HSS-0084	SETSCREW	6
19	BSH-3030	BUSH	2	56	WSH-0065	SPRING WASHER	16
20	BSH-3070	BUSH	4	57	193480 02	SUPPORT BRACKET LH	1
21	NIP-0001	GREASE ZERK	2	58	193214 01	STRAP	2
22	WSH-1547	WASHER	2	59	HSS-0238	SETCREW	8
23	CIR-1150	CIRCLIP	2	60	193235 01	RUBBER SEAL	2
24	193506 01	HYDRAULIC RAM	2	61	193232 01	SEAL CLAMP	2
24a	RMSK00030	SEAL KIT		62	193233 01	SEAL CLAMP	2
25	HSS-0260	SET SCREW	2	63	SCW-4960	BUTT.HD.SKT.SCREW	12
26	PIN-1150	SPLIT PIN	2	64	WSH-0056	WASHER	12
27	192193 01	ADJ COWL STOP L.H	1	65	193244 01	RETAINING NUT	2
28	192193 02	ADJ COWL STOP R.H	1	66	193248 01	RETAINING SCREW	2
29	HSS-0194	SET SCREW	7	67	BLTA12380	BOLT	2
30	WSH-0015	WASHER	16	68	193251 01	RETAINING BAR	2
31	NUT-0265	NUT	12	69	NUT-0170	PLAIN NUT	2
32	192442 01	RUNNER ASSY L.H	1	70	190119 03	WASHER	16
33	192442 02	RUNNER ASSY R.H	1	71	BLTA10350	HEX BOLT	4
34	SCW-1735	SCREW	6	72	193831 01	ROLLER ADJUSTER LH	2
35	192304 01	AUGER END DEFLECTOR	2	73	193831 02	ROLLER ADJUSTER RH	2
36	HSS-0140	SET SCREW	6	74	193834 01	ROLLER	2
37	192494 01	INDICATOR ROD	1	75	193802 01	RH PAN	1

Shelbourne Reynolds Engineering Limited

ASSY NUMBER:		196167 12 CONTINUED..		ASSY DESCRIPTION: FRAME & PARTS SUB CX72 PULSE SPECIAL			
ITEM	PART NO	DESCRIPTION	QTY	ITEM	PART NO	DESCRIPTION	QTY
76	193802 02	LH PAN	1				
77	193802 08	PERFORATED PAN RH	1				
78	193802 09	PERFORATED PAN LH	1				
79	HSS-0265	SET SCREW	2				
80	193832 01	CENTRE SHAFT	2				
85	194869 01	LOCKING TAB	4				
86	WSH-0061	SPRING WASHER	8				
87	BRG-23045	BEARING	4				
88	194117 01	SKID WEAR CLAMP STRIP	4				
89	HSS-0198	SET SCREW	8				
90	194330 01	RADIUS MOULDING	5				
91	194330 02	RADIUS MOULDING	2				
92	SCHE05170	SELF TAP SCREW	26				

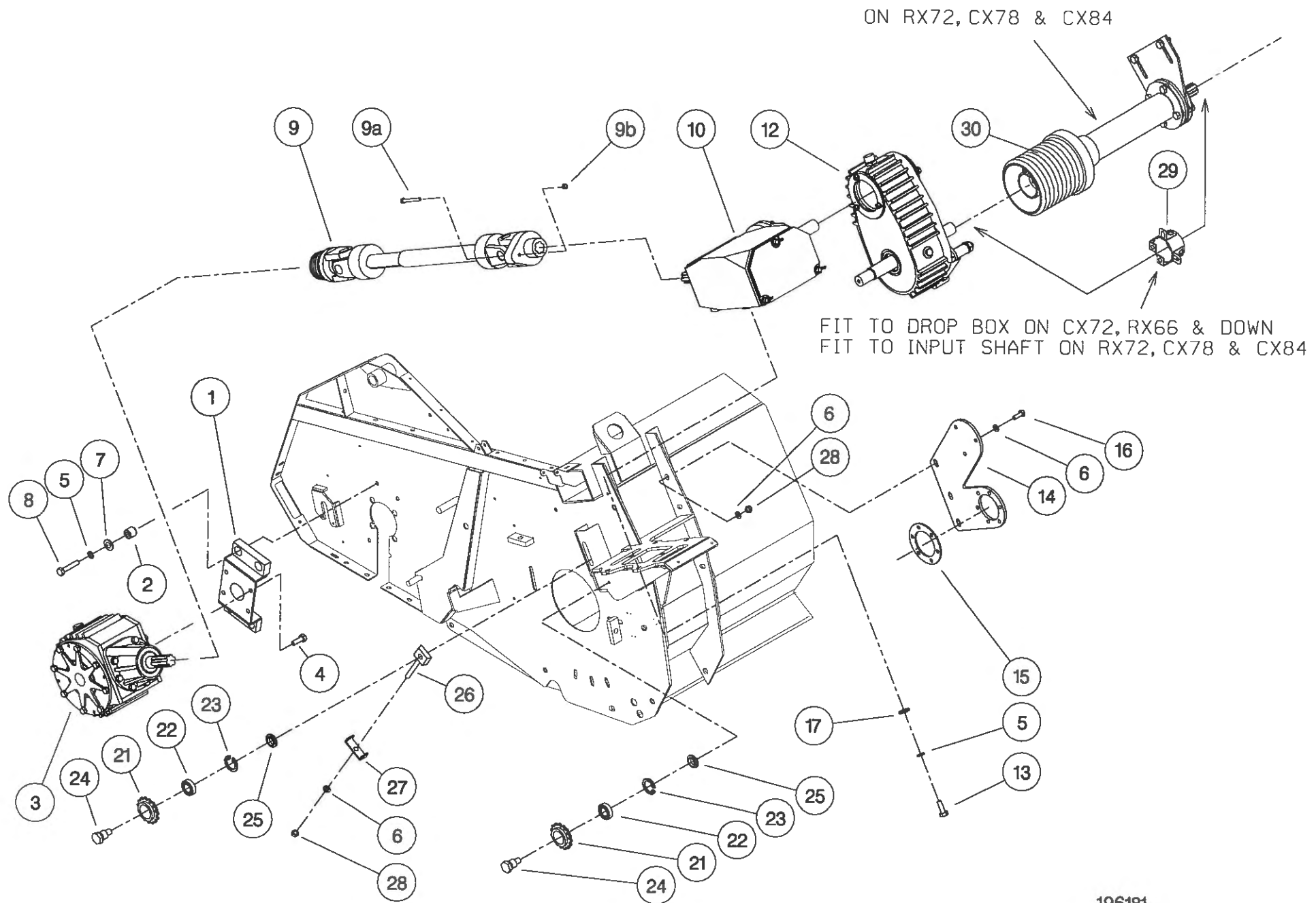


196167
PULSE SPECIAL

Shelbourne Reynolds Engineering Limited

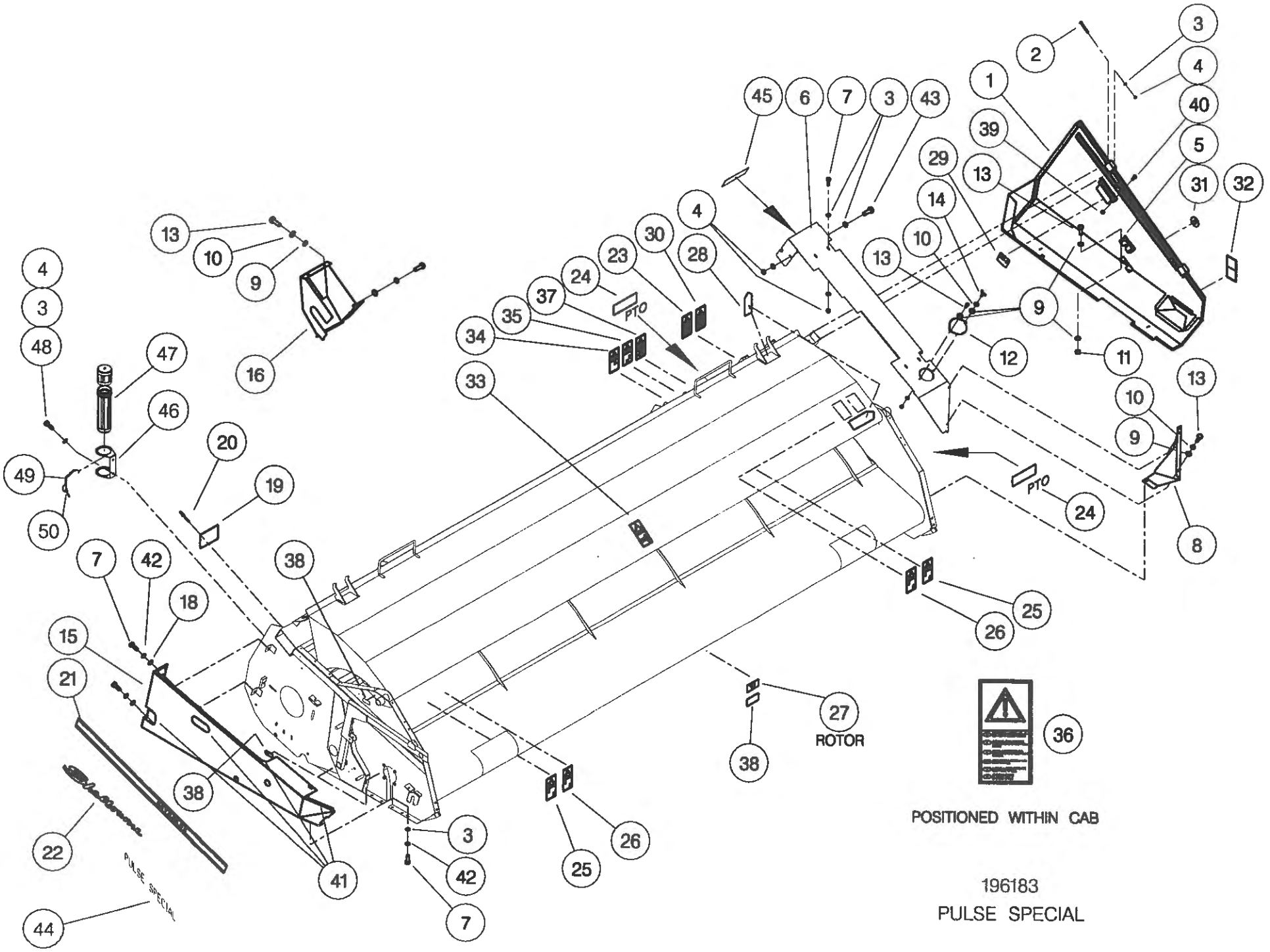
ASSY NUMBER:		196181 01		ASSY DESCRIPTION: ROTOR/AUGER DRIVE 1999 (5.4-7.2M OFF)			
ITEM	PART NO	DESCRIPTION	QTY	ITEM	PART NO	DESCRIPTION	QTY
1	191652 01	GEARBOX BRACKET	1	29	KIT-00525	PTO GUARD KIT	1
2	BSH-1530	BUSH	4				
3	GEA-0095	BEVEL GEARBOX	1				
4	HSSG12174	SET SCREW	4				
5	WSH-0065	SPRING WASHER	10				
6	WSH-0018	PLAIN WASHER	13				
7	190119 04	PLAIN WASHER	4				
8	BLTA12290	BOLT	4				
9	PTO-09010	POWER SHAFT					
9a	BLT-2158	SHEAR BOLT					
9b	NUT-0164	NUT					
10	GEA-0135	FIVE SPEED GEARBOX ASSY	1				
11							
12	GEA-0102	DROPBOX ASSY	1				
13	HSS-0238	SET SCREW	6				
14	194061 01	DROP BOX SUPPORT PLATE	1				
15	194068 01	SPACER PLATE	1				
16	HSS-0241	SET SCREW	3				
17	190119 22	WASHER	6				
18							
19							
20							
21	131041 01	SPROCKET IDLER	2				
22	BRG-1995	BEARING	2				
23	CIR-0470	CIRCLIP	2				
24	190060 06	IDLER SPINDLE	2				
25	191040 01	IDLER SPACER	2				
26	191777 01	IDLER ADJ SCREW	1				
27	191774 01	PLATE	1				
28	NUT-0269	NUT	4				

23



Shelbourne Reynolds Engineering Limited

ASSY NUMBER:		ASSY DESCRIPTION: CX PS EMBLEMS AND GUARDS SUB (1999)					
ITEM	PART NO	DESCRIPTION	QTY	ITEM	PART NO	DESCRIPTION	QTY
1	193252 01	L.H.GUARD	1	39	NUT-0164	NUT	10
2	BLTA08470	BOLT	2	40	BLTA08350	SHEARBOLT	10
3	WSH-0012	PLAIN WASHER	14	41	EDS-11400	EDGING STRIP	2.0
4	NUT-0263	NYLOC NUT	10	42	WSH-0058	WASHER	4
5	LTC-00040	SLAM LATCH	1	43	HSS-0145	SET SCREW	1
6	194079 01	L.H. TOP COVER	1	44	193838 01	EMBLEM (PULSE SPECIAL)	3
7	HSS-0140	SET SCREW	9	45	194103 01	EMBLEM (ROTOR SPEED RATIO'S)	1
8	192570 01	FRONT DEFLECTOR L.H.	1	46	194364 01	CANNISTER BRACKET	1
9	WSH-0009	PLAIN WASHER	8	47	WDA-00025	CANNISTER	1
10	WSH-0056	SPRING WASHER	6	48	HSS-0145	SET SCREW	2
11	NUT-0260	NYLOC NUT	3	49	CHN-0145	CHAIN	0.17
12	191355 01	COVER	1	50	RCL-0015	R-CLIP	1
13	HSS-0084	SET SCREW	10				
14	SCW-4700	WING SCREW	1				
15	193478 01	R.H.GUARD	1				
16	192555 01	REAR DRIVE GUARD(5th POS.)	1				
17							
18	WSH-1038	PENNY WASHER	3				
19	191359 01	IDENTIFICATION PLATE	1				
20	POP-0006	POP RIVET	4				
21	191983 01	EMBLEM (STRIPES & REYNOLDS)	2				
22	191982 01	EMBLEM (SHELBOURNE)	2				
23	610257 01	EMBLEM (READ MANUAL)	1				
24	127075 12	EMBLEM (GREASE 10 HOURS)	2				
25	193388 01	EMBLEM (FLYING OBJECTS)	2				
26	193389 01	EMBLEM (KEEP AWAY)	2				
27	193395 01	EMBLEM (TENSILOCK)	4				
28	190702 04	EMBLEM (SLING POINT)	4				
29	192839 01	EMBLEM (SHEARBOLT PART No.)	1				
30	610250 01	EMBLEM (SAFETY MAINTENANCE)	1				
31	192953 01	EMBLEM (1/4 TURN)	1				
32	193392 01	EMBLEM (STOP ENG BEFORE...)	1				
33	193393 01	EMBLEM (STOP ENG BEFORE...)	1				
34	193390 01	EMBLEM (DONT HANG CHAIN)	1				
35	193391 01	EMBLEM (PTO GUARD)	1				
36	193394 01	EMBLEM (ENGAGE STRIP ROTOR)	1				
37	193387 01	EMBLEM (AUGER/ROTOR SPEED)	1				
38	127075 16	EMBLEM (GREASE 50 HOURS)	7				

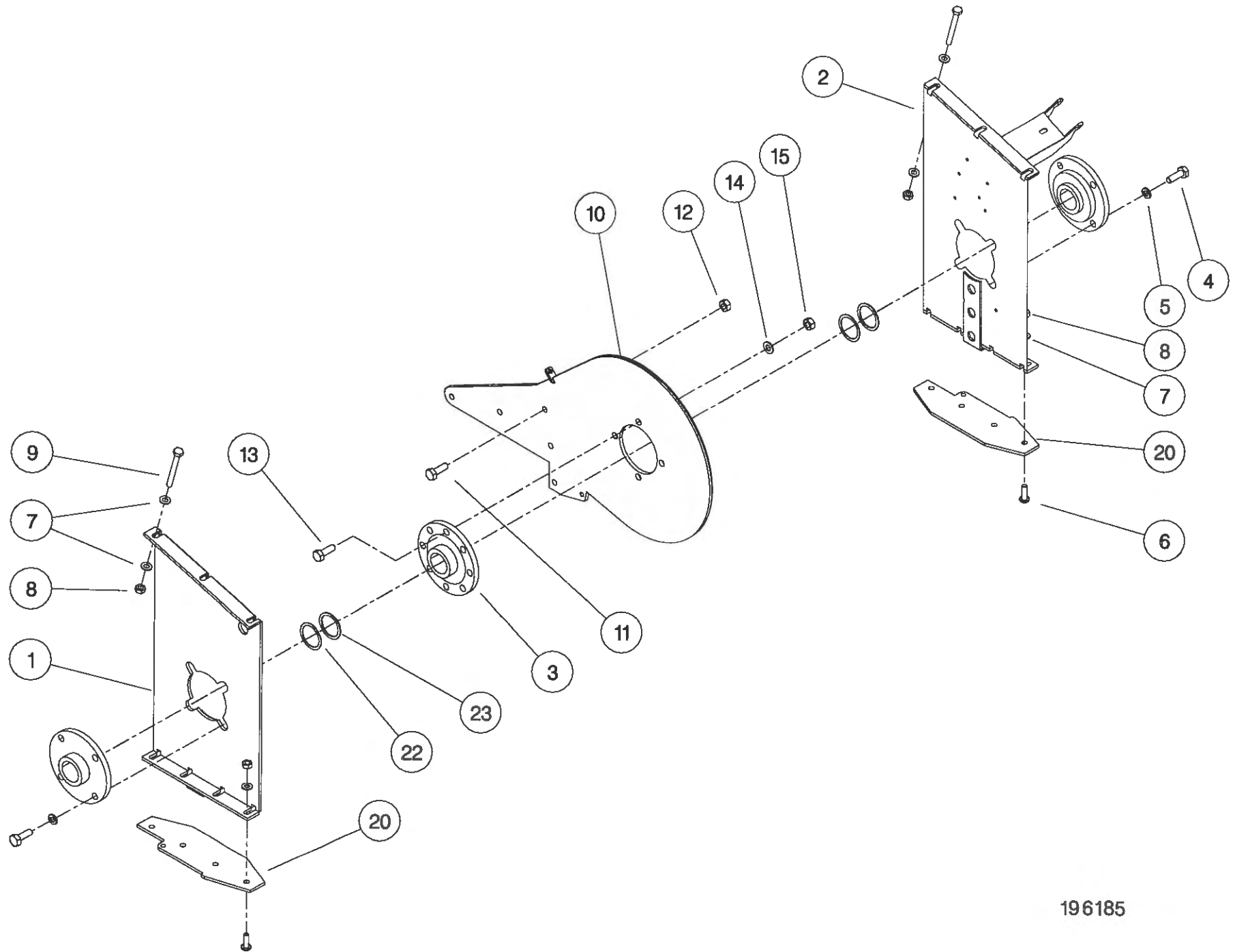


POSITIONED WITHIN CAB

196183
PULSE SPECIAL

Shelbourne Reynolds Engineering Limited

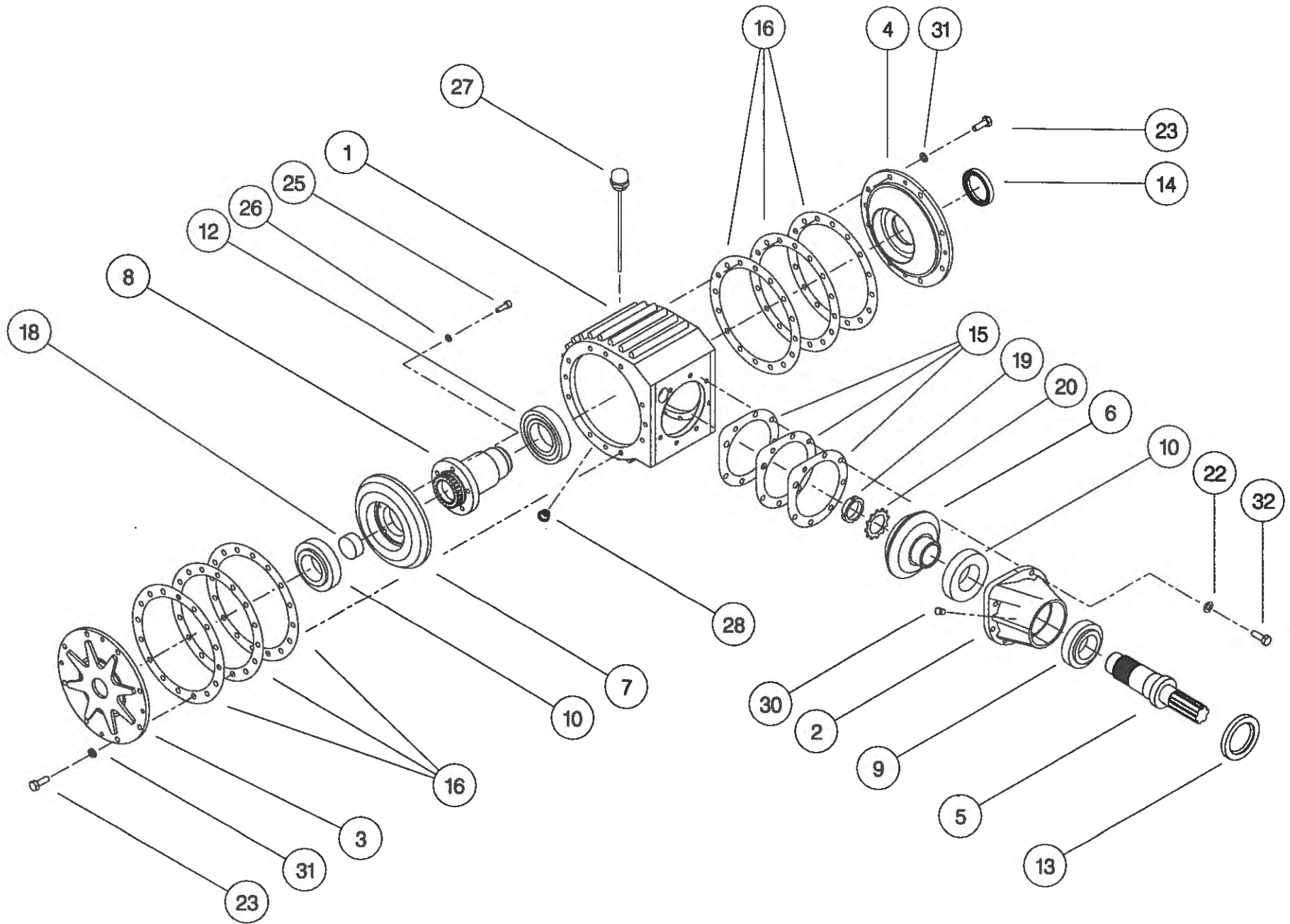
ASSY NUMBER: 196185 01		ASSY DESCRIPTION: CX RANGE RTR MTG SUB ASSY (1999)					
ITEM	PART NO	DESCRIPTION	QTY	ITEM	PART NO	DESCRIPTION	QTY
1	193477 01	ROTOR MTG PLATE R.H	1				
2	193015 01	ROTOR MTG PLATE L.H	1				
3	BRG-3275	BEARING	3				
4	HSS-0235	SETSCREW	8				
5	WSH-0065	WASHER	8				
6	SCW-0515	SCREW	8				
7	WSH-0015	WASHER	20				
8	NUT-0265	NUT	14				
9	BLTA10520	BOLT	6				
10	194093 01	DIVISION PLATE	1				
11	BLTA12290	BOLTS					
12	NUTA07120	AERO-TIGHT NUT	5				
13	HSS-0241	SETSCREW	4				
14	WSH-0018	WASHER	4				
15	NUT-0269	NUT	4				
16							
17							
18							
19							
20	193220 01	DIVIDING PLATE	2				
21							
22	192876 01	SHIM (1mm THICK)					
23	192876 02	SHIM (2mm THICK)					



Shelbourne Reynolds Engineering Limited

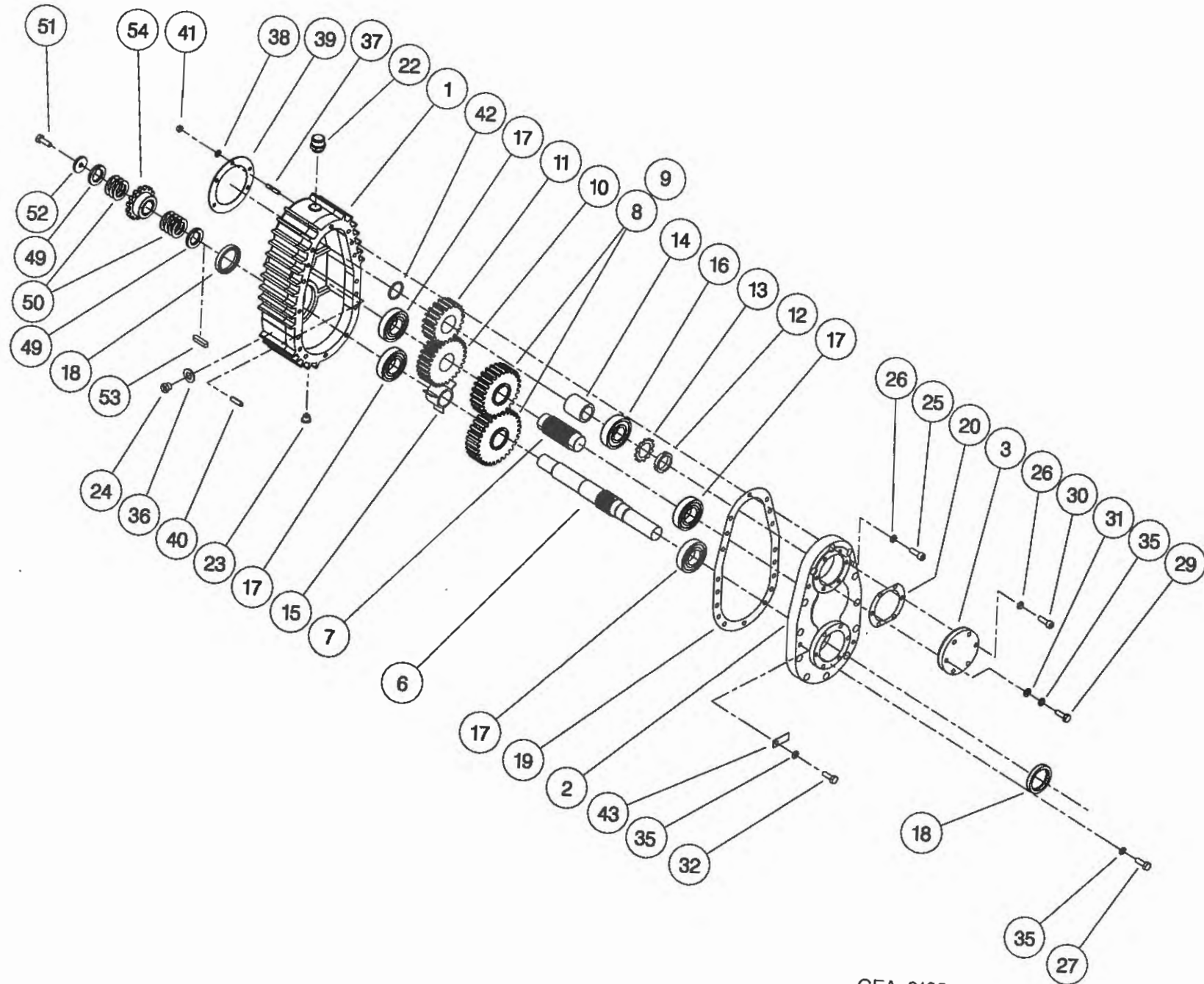
ASSY NUMBER: GEA-0095		ASSY DESCRIPTION: BEVEL GEARBOX (1.5:1)					
ITEM	PART NO	DESCRIPTION	QTY	ITEM	PART NO	DESCRIPTION	QTY
1	191715 01	GEARBOX CASING	1				
2	191716 01	INPUT HOUSING	1				
3	191717 01	OUTSIDE END COVER	1				
4	191718 01	INSIDE END COVER	1				
5	191819 01	INPUT SHAFT (28T INVOLUTE)	1				
6	191798 01	BEVEL GEAR 20T (28T INV)	1				
7	191799 01	BEVEL GEAR 30T (25T INV)	1				
8	191800 01	OUTPUT SHAFT (25T INVOLUTE)	1				
9	BRG-7000	BEARING (TAPER 32210)	1				
10	BRG-7020	BEARING (TAPER 32211)	2				
11							
12	BRG-7040	BEARING	1				
13	SEA-0590	ROTARY SHAFT SEAL	1				
14	SEA-0600	ROTARY SHAFT SEAL	1				
15	191812	SHIM PACK (INPUT)	1				
16	191813	SHIM PACK (ENDS)	2				
17							
18	191735 01	SHAFT PLUG	1				
19	NUT-3010	LOCK RING	1				
20	WSH-6010	LOCK WASHER	1				
21							
22	WSH-1301	SHAKEPROOF WASHER	7				
23	HSS-0191	SET SCREW	16				
24							
25	SCW-0139	CAP HEAD SCREW	5				
26	WSH-0058	SPRING WASHER	5				
27	FIT-0254	BREATHER/DIP STICK	1				
28	FIT-0253	MAGNETIC DRAIN PLUG	1				
29							
30	FIT-0223	TAPER PLUG	1				
31	WSH-0061	SPRING WASHER	16				
32	SCW-0190	CAP SOC.HEAD SCREW	7				

23



Shelbourne Reynolds Engineering Limited

ASSY NUMBER:		GEA-0102		ASSY DESCRIPTION: SHORT DROPBOX FOR RX & CX (1999)			
ITEM	PART NO	DESCRIPTION	QTY	ITEM	PART NO	DESCRIPTION	QTY
1	191723 01	GEARCASE	1	38	WSH-0012	PLAIN WASHER	5
2	191723 02	LID	1	39	191759 01	SEAL	1
3	191696 02	OUTPUT END CAP	1	40	191765 01	DOWL	2
4				41	NUT-0012	PHILIDAS NUT	5
5				42	CIR-4000	SNAP RING CIRCLIP	1
6	191807 01	INPUT/AUGER OUTPUT SHAFT (28T INVOLUTE)	1	43	191928 01	IDENTIFICATION TAG	1
7	191801 01	INTERMED. SHAFT (28T INV)	1	44			
8	*	CHANGE GEAR (SEE DRIVE SUB)		45			
9	*	CHANGE GEAR (SEE DRIVE SUB)		46			
10	191803 01	SPUR GEAR 30T (28T INV)	1	47			
11	191884 01	SPUR GEAR 20T (28T INV)	1	48			
12	NUT-3000	LOCK RING	1	49	191692 01	SPACER	2
13	WSH-6000	LOCK WASHER	1	50	191692 02	SHIM	7
14	191725 01	SPACER	1	51	HSSF10174	SET SCREW	1
15	191894 01	SPACER	1	52	190548 01	PLAIN WASHER	1
16	BRG-6600	BEARING	1	53	K1008045	KEY	1
17	BRG-5800	BEARING	4	54	*	AUGER SPROCKET (SEE DRIVE SUB)	
18	SEA-0610	ROTARY SHAFT SEAL	2				
19	191756 01	GASKET	1				
20	191757	SEAL PACK	1				
21							
22	FIT-0255	BREATHER	1				
23	FIT-0253	MAGNETIC DRAIN PLUG1					
24	FITD00005	SIGHT GLASS/SEAL	1				
25	SCW-0196	CAP HEAD SCREW	12				
26	WSH-1301	SHAKEPROOF WASHER	15				
27	HSS-0202	SETSCREW	6				
28							
29	BLTA10290	BOLT	3				
30	SCW-0190	CAP HEAD SCREW	3				
31	WSH-0015	PLAIN WASHER	3				
32	HSS-0188	SET SCREW	1				
33							
34							
35	WSH-0061	SPRING WASHER	10				
36							
37	191737 01	STUD	5				

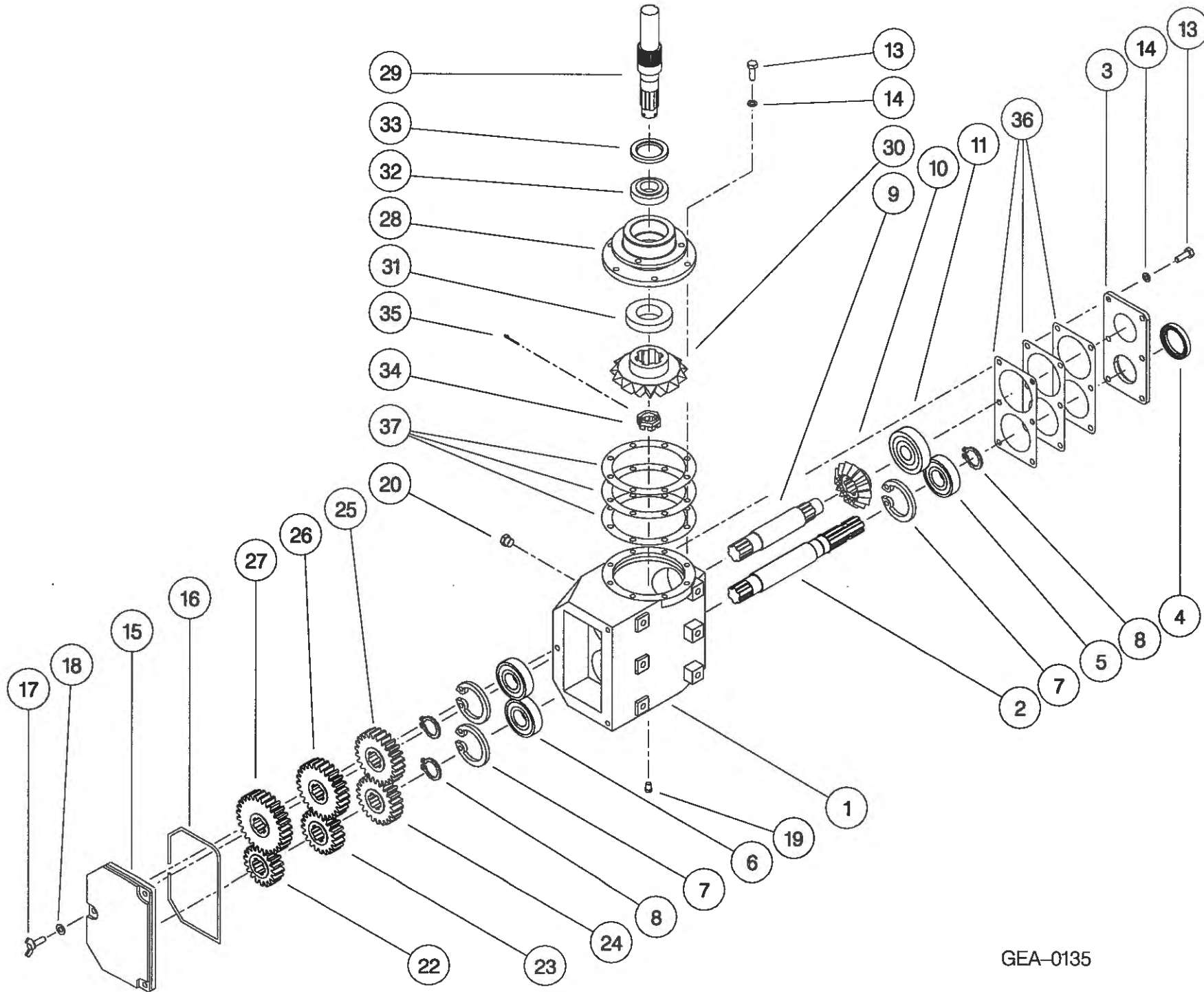


GEA-0102

Shelbourne Reynolds Engineering Limited

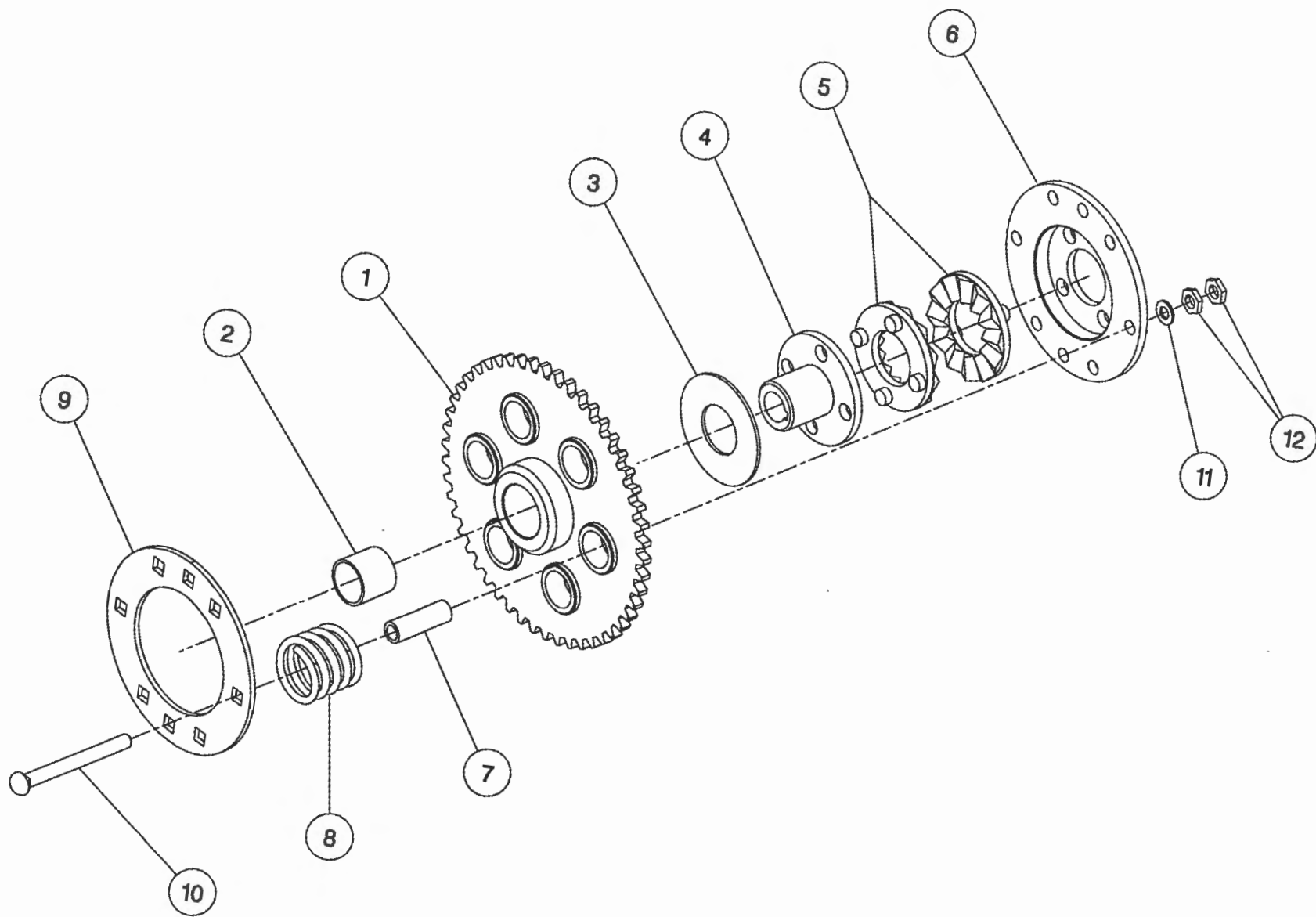
ASSY NUMBER: GEA-0135 ASSY DESCRIPTION: 5 SPEED G.BOX ASSY ALUM/FINNED 1997 (WITH DROP BOX)

ITEM	PART NO	DESCRIPTION	QTY	ITEM	PART NO	DESCRIPTION	QTY
1	191821 01	GEARBOX CASING	1				
2	191829 01	INPUT SHAFT	1				
3	191825 01	SEAL HOUSING	1				
4	SEA-0550	ROTARY SHAFT SEAL	1				
5	BRG-6600	BEARING	1				
6	BRG-6601	BEARING	2				
7	CIR-3800	CIRCLIP	3				
8	CIR-2700	CIRCLIP	3				
9	191828 01	LAYSHAFT	1				
10	191823 01	BEVEL GEAR (15T)	1				
11	BRG-6800	BEARING	1				
12							
13	HSS-0194	SET SCREW	14				
14	WSH-0061	SPRING WASHER	14				
15	192924 01	REMOVABLE COVER	1				
16	ORA260000	'O' RING SEAL STRIP	0.7				
17	SCW-4760	WING SCREW	3				
18	WSH-1301	SHAKEPROOF WASHER	3				
19	FIT-0223	PLUG	1				
20	FIT-0218	BREATHER	1				
21							
22	191822 18	CHANGE GEAR (18T)	1				
23	191822 20	CHANGE GEAR (20T)	1				
24	191822 22	CHANGE GEAR (22T)	1				
25	191822 24	CHANGE GEAR (24T)	1				
26	191822 26	CHANGE GEAR (26T)	1				
27	191822 28	CHANGE GEAR (28T)	1				
28	191691 02	OUTPUT HOUSING (HOLES,1997)	1				
29	191885 01	OUTPUT SHAFT	1				
30	191824 01	BEVEL GEAR (18T)	1				
31	BRG-6000	BEARING	1				
32	BRG-5700	BEARING	1				
33	SEA-0565	ROTARY SHAFT SEAL	1				
34	191843 01	SLOTTED NUT	1				
35	PIN-1168	SPLIT PIN	1				
36	191830	GASKET SET	1				
37	191831	GASKET SET	1				



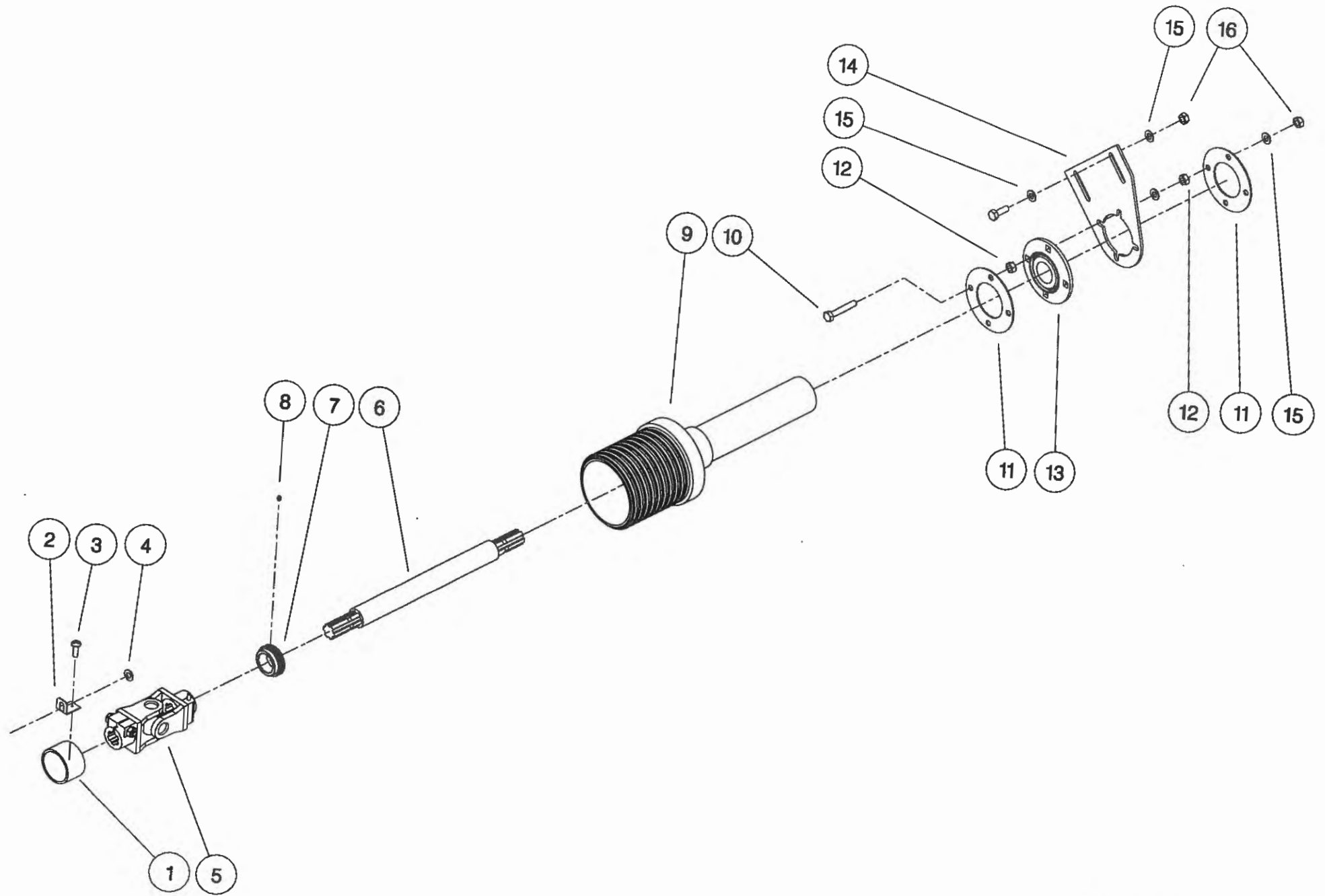
Shelbourne Reynolds Engineering Limited

ASSY NUMBER:		KIT-00109		ASSY DESCRIPTION:		AUGER DRIVE SPROCKET/CLUTCH ASSY	
ITEM	PART NO	DESCRIPTION	QTY	ITEM	PART NO	DESCRIPTION	QTY
1	192763 01	SPROCKET ASSY 50T	1				
2	BSH-3019	BUSH	1				
3	192008 01	THRUST WASHER	1				
4	192013 01	CLUTCH HUB	1				
5	131005	CLUTCH PLATE	2				
6	192014 01	DRIVE DISC	1				
7	131073 04	SPACER (1999 ONWARDS-62mm)	6				
OR	131073 03	SPACER (PRE 1999-67mm)	6				
8	131063	SPRING	6				
9	192009 01	FIXING RING	1				
10	BLTF12570	COACH BOLT	6				
11	WSH-0018	PLAIN WASHER	6				
12	NUT-0170	PLAIN NUT	12				



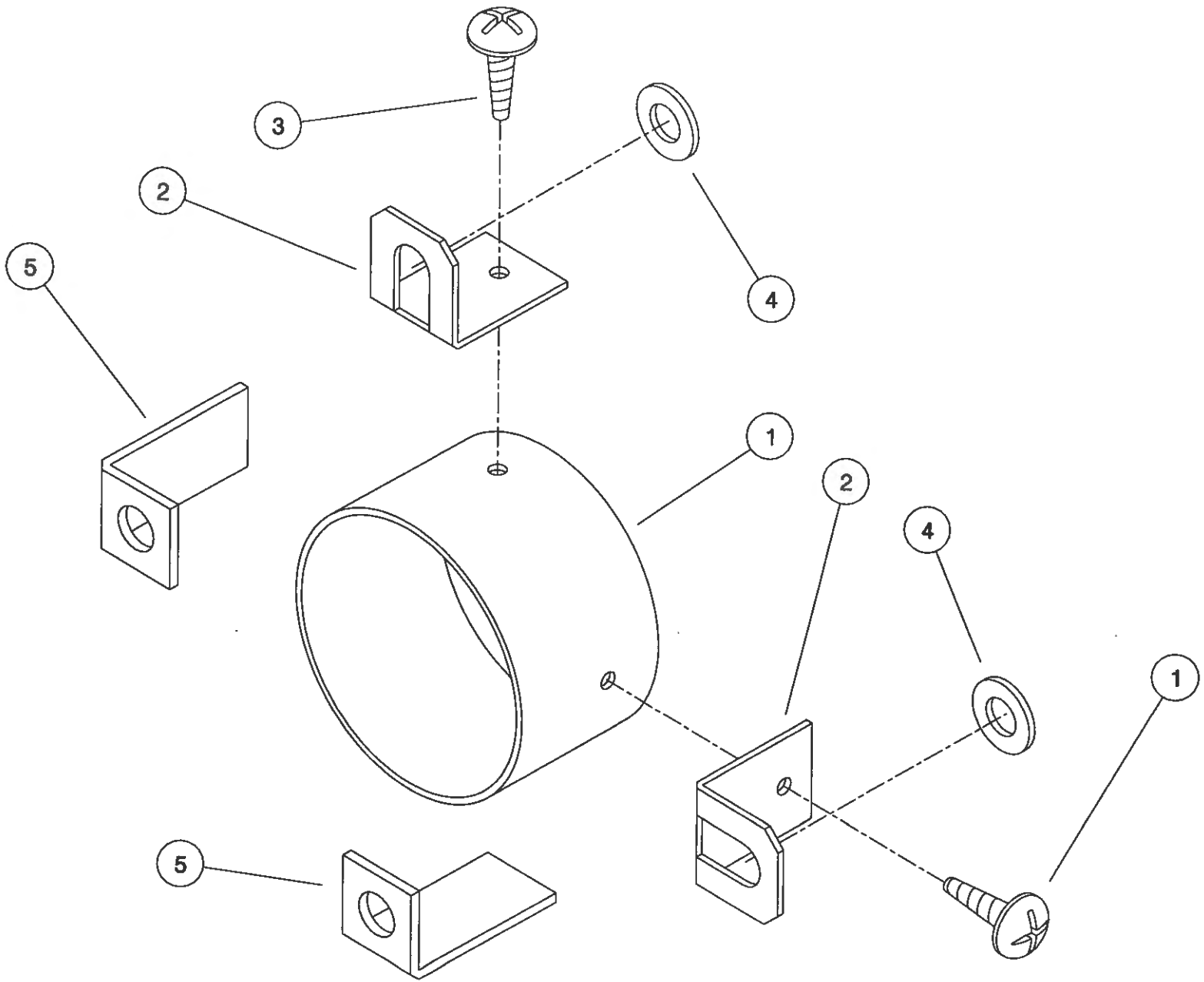
Shelbourne Reynolds Engineering Limited

ASSY NUMBER:		KIT-00423		ASSY DESCRIPTION: GEARBOX INPUT SHAFT SUB			
ITEM	PART NO	DESCRIPTION	QTY	ITEM	PART NO	DESCRIPTION	QTY
1	192985 06	GUARD TUBE	1				
2	192992 01	GUARD SECURING BRACKET	2				
3	SCW-5104	SELF TAP SCREW	2				
4	WSH-0015	PLAIN WASHER	2				
5	PTO-24000	PTO COUPLING1					
6	192982 06	INPUT SHAFT	1				
7	192986 01	FIXING RING	1				
8	SCW-4528	GRUB SCREW	1				
9	194060 01	PTO HALF GUARD	1				
10	HSS-0275	SET SCREW	4				
11	192991 01	GUARD SUPPORT PLATE	2				
12	NUT-0170	NUT	8				
13	BRG-24500	BEARING	1				
14	192993 01	SUPPORT PLATE	1				
15	WSH-0018	WASHER	12				
16	NUT-0269	NUT	6				
17	HSS-0238	SETSCREW	2				



Shelbourne Reynolds Engineering Limited

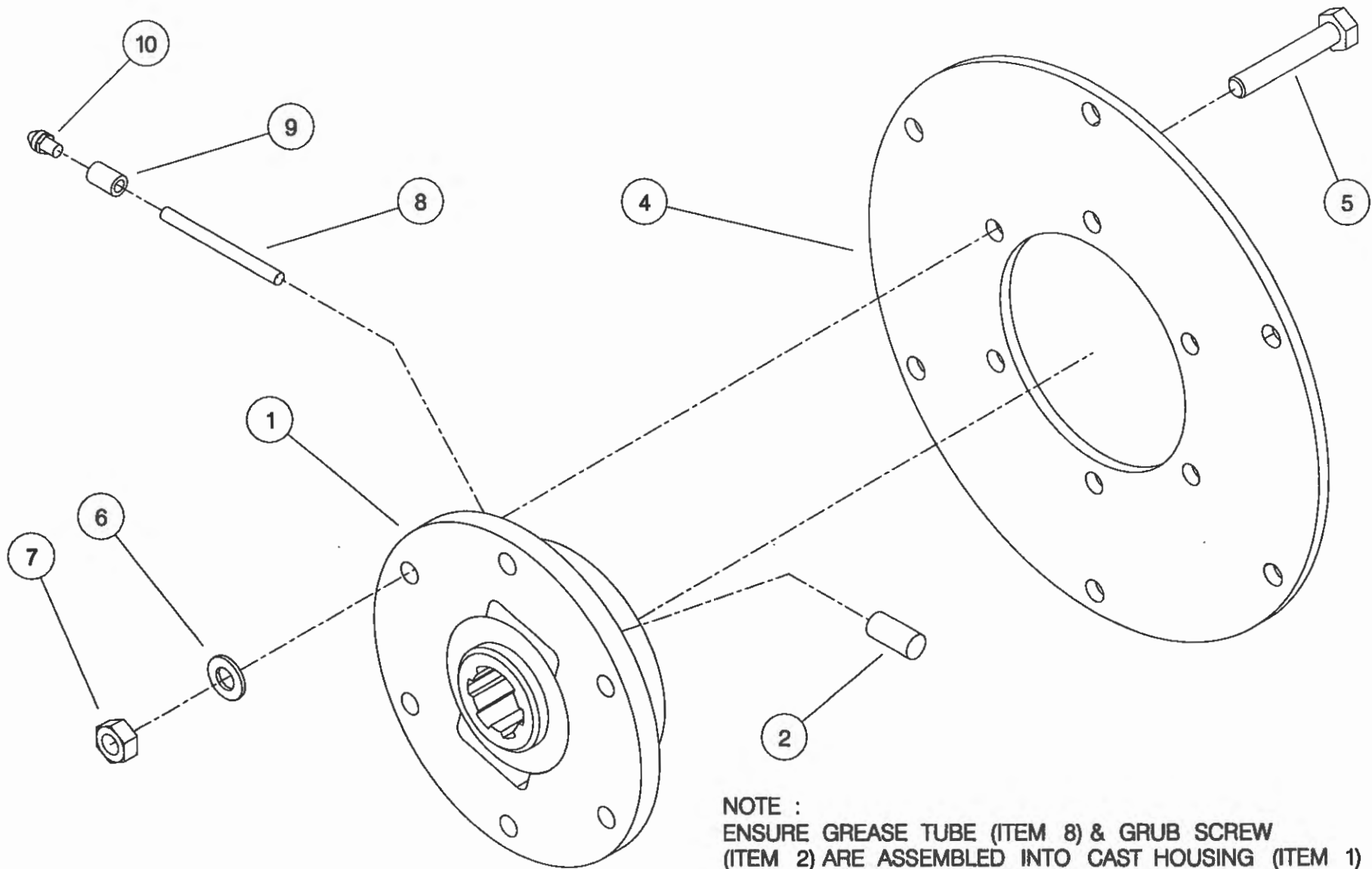
ASSY NUMBER:		KIT-00525		ASSY DESCRIPTION: PTO END GUARD			
ITEM	PART NO	DESCRIPTION	QTY	ITEM	PART NO	DESCRIPTION	QTY
1	192985 06	GUARD TUBE	1				
2	192992 01	GUARD SECURING BRACKET	2				
3	SCW-5104	SCREW	2				
4	WSH-0015	WASHER	2				
5	191763 01	PTO BRACKET	2				



KIT-00525

Shelbourne Reynolds Engineering Limited

ASSY NUMBER:		KIT-00976		SUB ASSY DESCRIPTION: BALL JOINT COUPLING (CAST ROTOR)			
ITEM	PART NO	DESCRIPTION	QTY	ITEM	PART NO	DESCRIPTION	QTY
1	193114 01	SPLINED BALL	1				
2	SCW-4530	GRUB SCREW	1				
3							
4	193106 01	DRIVE RING PLATE	1				
5	HSS-0198	SETSCREW	6				
6	WSH-0015	WASHER	6				
7	NUT-0265	NUT	6				
8	193077 01	GREASE TUBE	1				
9	193078 01	GREASE TUBE ADAPTOR	1				
10	NIP-00600	GREASE NIPPLE	1				



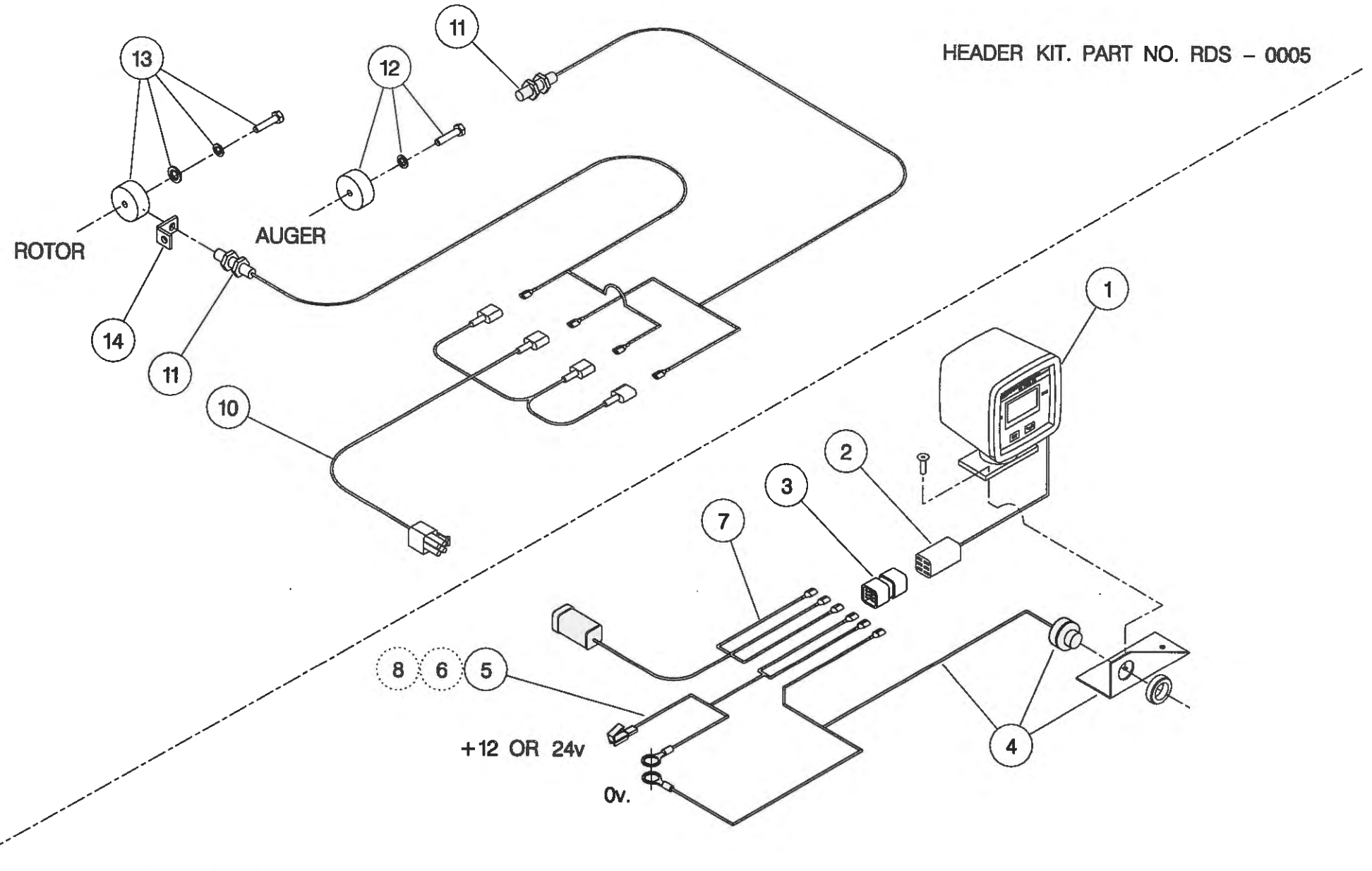
NOTE :
ENSURE GREASE TUBE (ITEM 8) & GRUB SCREW
(ITEM 2) ARE ASSEMBLED INTO CAST HOUSING (ITEM 1)
THE ORIENTATION SHOWN IS FOR A R.H. ROTOR
OPPOSITE ORIENTATION FOR L.H. ROTOR.

Shelbourne Reynolds Engineering Limited

ASSY NUMBER: RDS-0001/RDS-0005				ASSY DESCRIPTION: TACHO KIT			
ITEM	PART NO	DESCRIPTION	QTY	ITEM	PART NO	DESCRIPTION	QTY
1	RDS-0010	TACHO HEAD COMPLETE	1	13	RDS-0020	MAGNET CARRIER ,	1
2	RDS-0011	TACHO HEAD PLUG & ARMS	1			SET SCREW ,	1
3	RDS-0012	HARTING CONNECTOR & STICKER	1 1			PENNY WASHER & SPRING WASHER	1 1
4	RDS-0013	AUDIBLE ALARM, FIXING BRACKET & SELF TAP.SCREWS	1 1 2	14	RDS-0021	ROTOR SENSOR BRACKET	1
5	RDS-0014	POWER CONNECTION LEAD	1				
6	FUS-0022	FUSE	1				
7	RDS-0015	COMBINE LEAD	1				
8	RDS-0016	24V-12V CONVERTER KIT (NOT INCLUDED IN RDS-0001)	1				
9							
10	RDS-0017	HEADER LEAD	1				
11	RDS-0018	SHAFT SENSOR	2				
12	RDS-0019	MAGNET , TAPTITE BOLT & FIBRE WASHER	1 1 1				

50

HEADER KIT. PART NO. RDS - 0005



COMBINE KIT. PART NO. RDS - 0001

NOTE ;
 ITEM 6 IS USED IF POWER SUPPLY IS NOT FUSED.
 ITEM 8 IS USED IF POWER SUPPLY IS 24V, -VE EARTH. (NOT INCLUDED IN RDS - 0001).
 ITEM 4 (ALARM) IS BUILT INTO ITEM 1 (TACHO HEAD) ON LATER MODELS.

