

SHELBOURNE REYNOLDS



STRIPPER HEADER PARTS LIST

SR5400 MULTI-PLATE UPRATED RICE

SRE

**Shelbourne Reynolds Engineering Ltd, Shepherds Grove, Stanton,
Bury St Edmunds, Suffolk IP31 2AR
Telephone: Stanton (0359) 50415
Fax.No (0359) 50464**

GRAIN STRIPPER PARTS MANUAL

Your Shelbourne Reynolds stripper header is designed to fit many different types of combine.

For this reason the machine number index is broken down into sections for identification. Your machine numbers are listed below:

STRIPPER HEADER	_____
ADAPTOR PLATE	_____
DRIVE KIT	_____
HYDRAULIC FITTING	_____
OTHER OPTIONS	<u>KIT-00916</u>

This manual contains all parts common to the stripper header and is used in conjunction with the combine fittings manual, which contains the adaptor plate, and drive kit parts and fitting, and any other options available.

Machine Identification

The stripper header machine identification number is engraved on a plate on the top right hand corner of the header.

The adaptor plate has a plate on the top right hand corner also with the adaptor plate assembly number engraved on it.

The drive kit can be identified by description, and use of the drive kit identification number marked above.

Ordering Spare Parts

To ensure that you order the correct part from your SRE dealer please use the following procedure.

Always quote the serial number and stripper head number from the plate on the top right hand corner of the stripper head. Always quote the adaptor plate assembly number from the plate on the top right hand side of the adaptor plate.

Refer to the front of this parts list book (machine assemblies), decide if the part you want is on:

Stripper Head
Adaptor Kit
Drive Kit

If your part is on the Adaptor Kit, identify by matching the part number from the adaptor plate with that in the top left hand corner of the parts lists. You will find the appropriate drawing accompanying the parts list.

If the part you require is on the drive kit, ensure that you have the parts listing for the correct combine model and width. Then progress through to the next drawing following that list, for indication of that part.

If the part you require is on the stripper head assembly, identify the appropriate assembly by matching the part number from the stripper head with the page with the same number marked on the top left hand side.

Use the following sub assembly numbers and descriptions to find the area of the machine that your part is required, i.e. you need a part which is fitted to the conveyor, your part will be in the conveyor assembly parts list.

Having decided which sub-assembly your part should be under, use the number beside that sub-assembly description which will begin with 1960-- -- to find the parts listing of the sub-assembly further on in the manual. The number will be printed in the top left hand corner, the sub-assemblies are in numerical order.

Having found the correct parts list, you will find the corresponding drawing by processing through the manual to the next drawing.

The drawings indicate the components by item numbers which you will find are repeated in the left hand side of your parts listing, and therefore referring to the correct part.



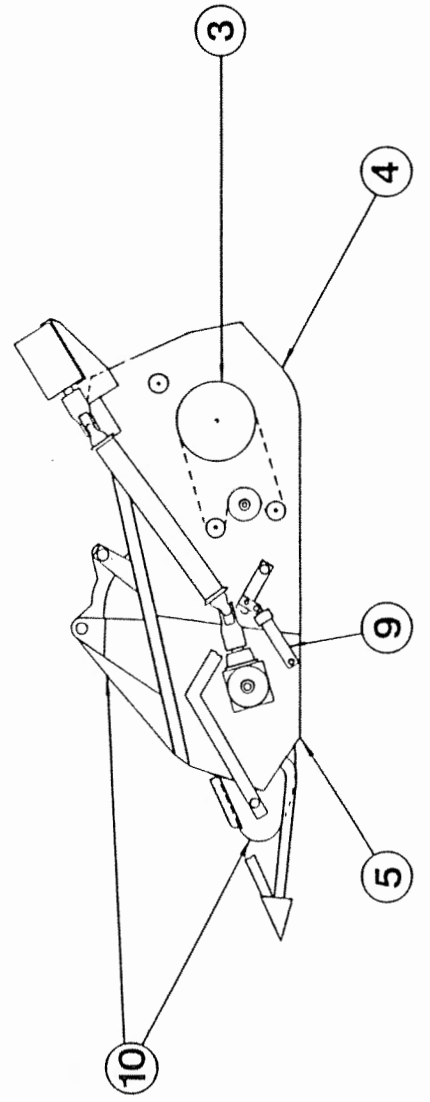
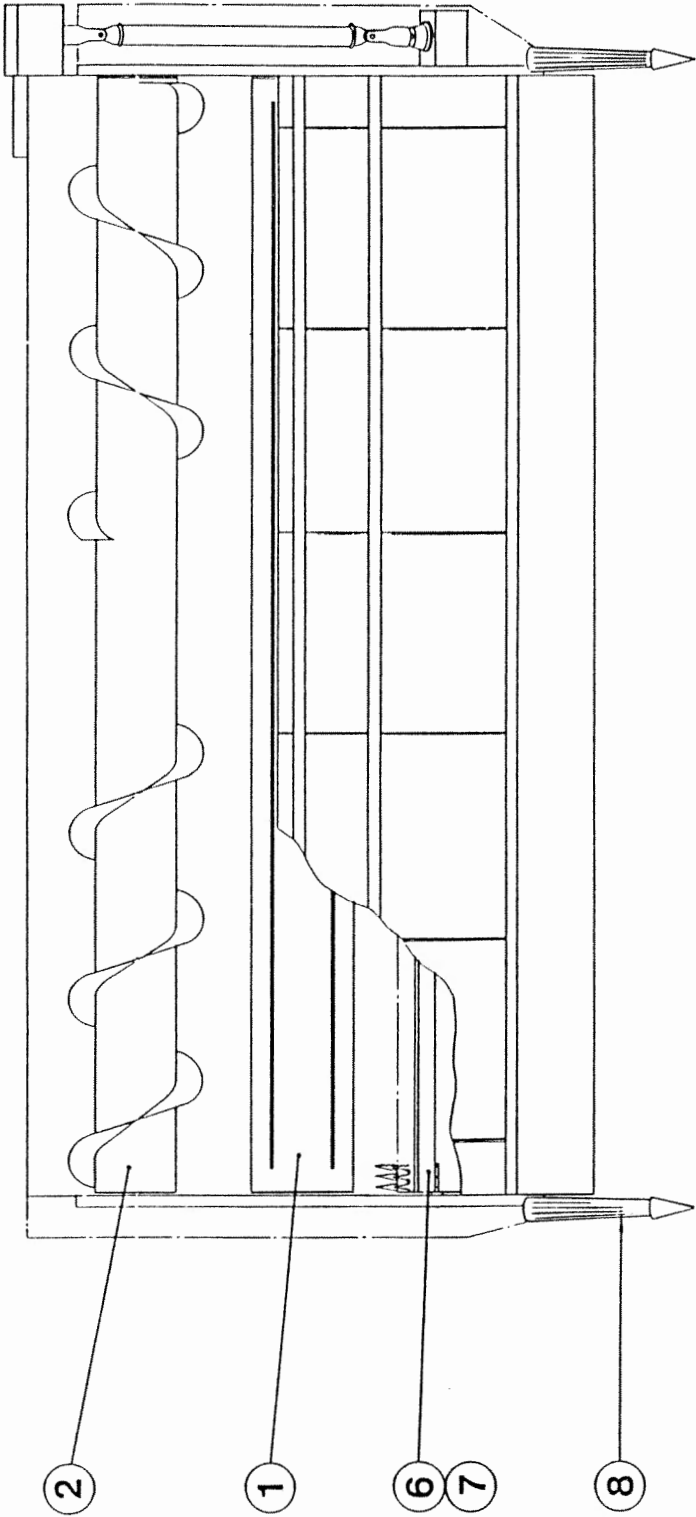
Shelbourne Reynolds Engineering Limited



ASSY NUMBER: 196518 05

ASSY DESCRIPTION: MKIIB GRAIN STRIPPER 5.4M MULTI PLATE

ITEM	PART NO	DESCRIPTION	QTY	ITEM	PART NO	DESCRIPTION	QTY
1	196028 05	CONVEYOR ASSY	1				
2	196047 05	AUGER ASSY	1				
3	196049 01	DRIVE COMPONENTS	1				
4	196031 15	FRAME & COMPONENTS	1				
5	196048 02	ASSY COMPONENTS	1				
6	196042 04	STRIPPING ROTOR RH 2.4M	1				
7	196042 05	STRIPPING ROTOR LH 3.0M	1				
8	196027	CROP DIVIDERS	1				
	KIT-00930	CROP DIVIDERS (OPTIONAL)	1				
9	196035 05	HYDRAULICS	1				
10	196036 03	EMBLEMS & GUARDS	1				





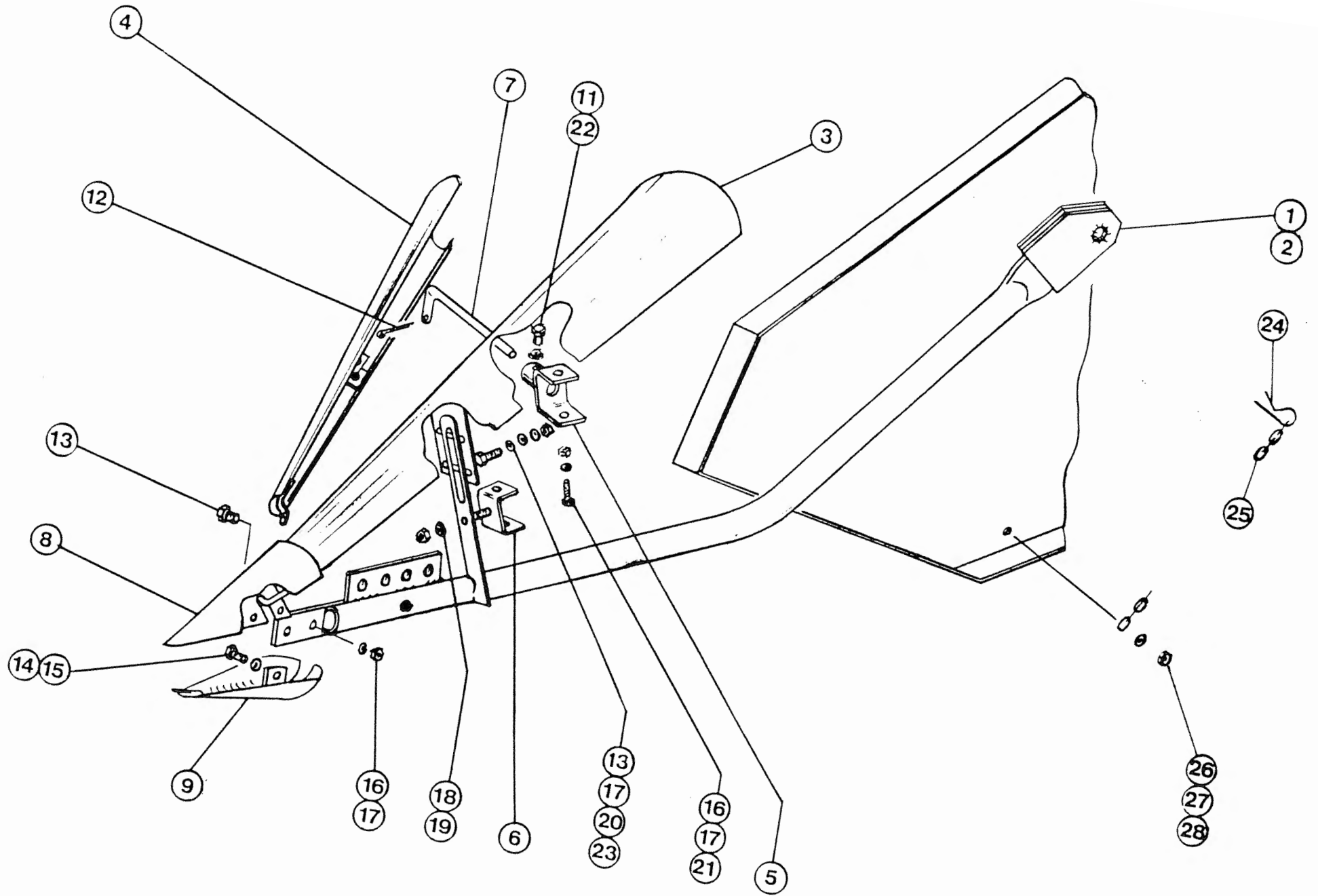
Shelbourne Reynolds Engineering Limited



ASSY NUMBER: 196027

ASSY DESCRIPTION: DIVIDER

ITEM	PART NO	DESCRIPTION	QTY	ITEM	PART NO	DESCRIPTION	QTY
1	190931 01	DIVIDER ARM LH	1				
2	190931 02	DIVIDER ARM RH	1				
3	190929	DIVIDING PLATE	2				
4	190930	INNER DEFLECTOR	2				
5	190927	BRACKET ASSEMBLY	2				
6	190928	BRACKET ASSEMBLY	2				
7	190926	ADJUSTER ROD	2				
8	191770 01	NOSE CONE	2				
9	191862 01	SHOE	2				
10							
11	HSS-0235	SET SCREW	2				
12	PIN-1167	SPLIT PIN	2				
13	HSS-0194	SET SCREW	10				
14	BLT-2160	BOLT	2				
15	WSH-0012	PLAIN WASHER	2				
16	NUT-0265	NYLOC NUT	8				
17	WSH-0015	PLAIN WASHER	20				
18	NUT-0271	NYLOC NUT	2				
19	WSH-0024	PLAIN WASHER	2				
20	WSH-0061	SPRING WASHER	6				
21	HSS-0198	SET SCREW	4				
22	NUT-0170	PLAIN NUT	2				
23	NUT-0167	PLAIN NUT	6				
24	RCL-0013	R CLIP	2				
25	CHN-0145	CHAIN	2				
26							
27	WSH-0009	PLAIN WASHER	4				
28	NUT-0260	NYLOC NUT	2				





Shelbourne Reynolds Engineering Limited

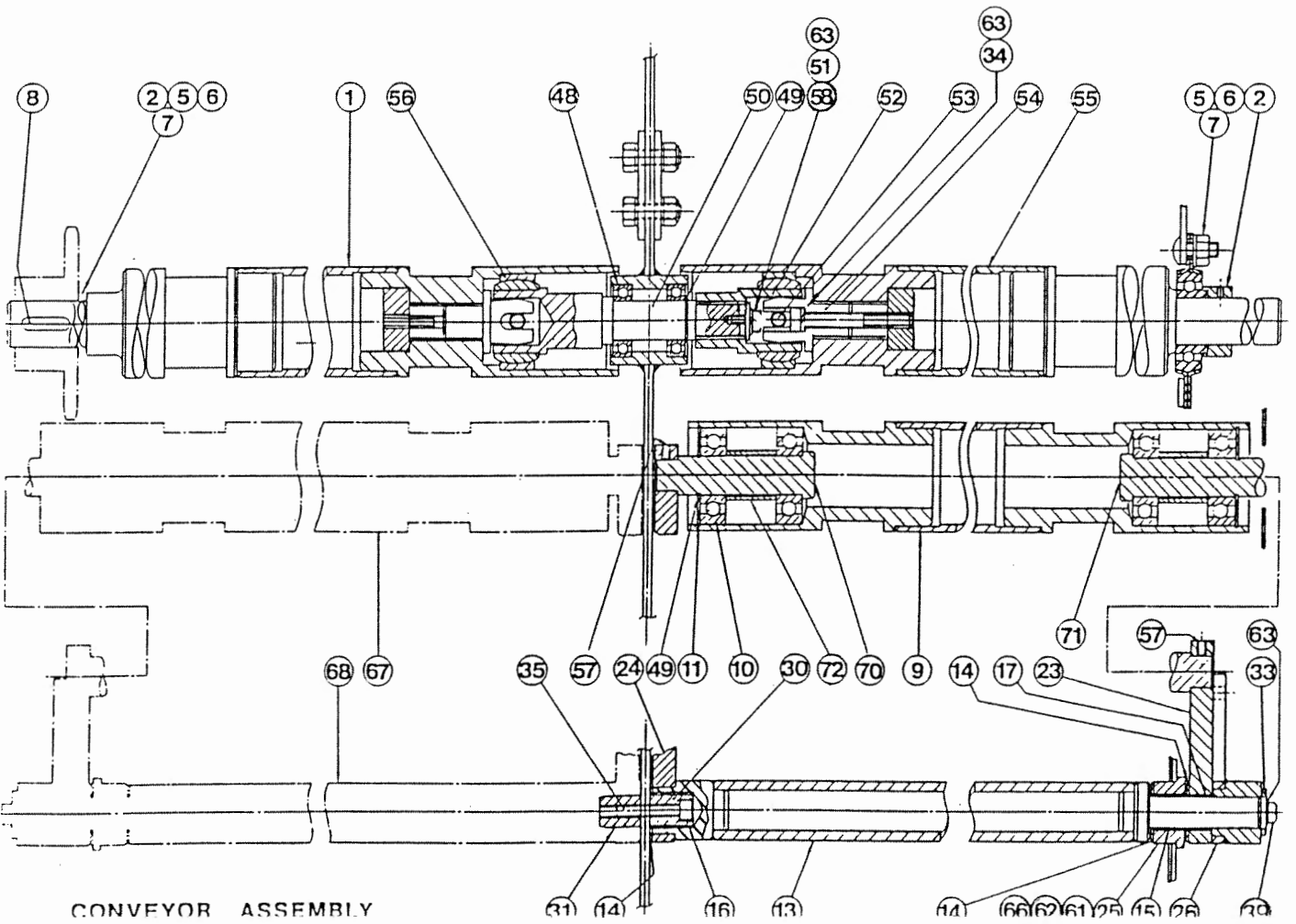
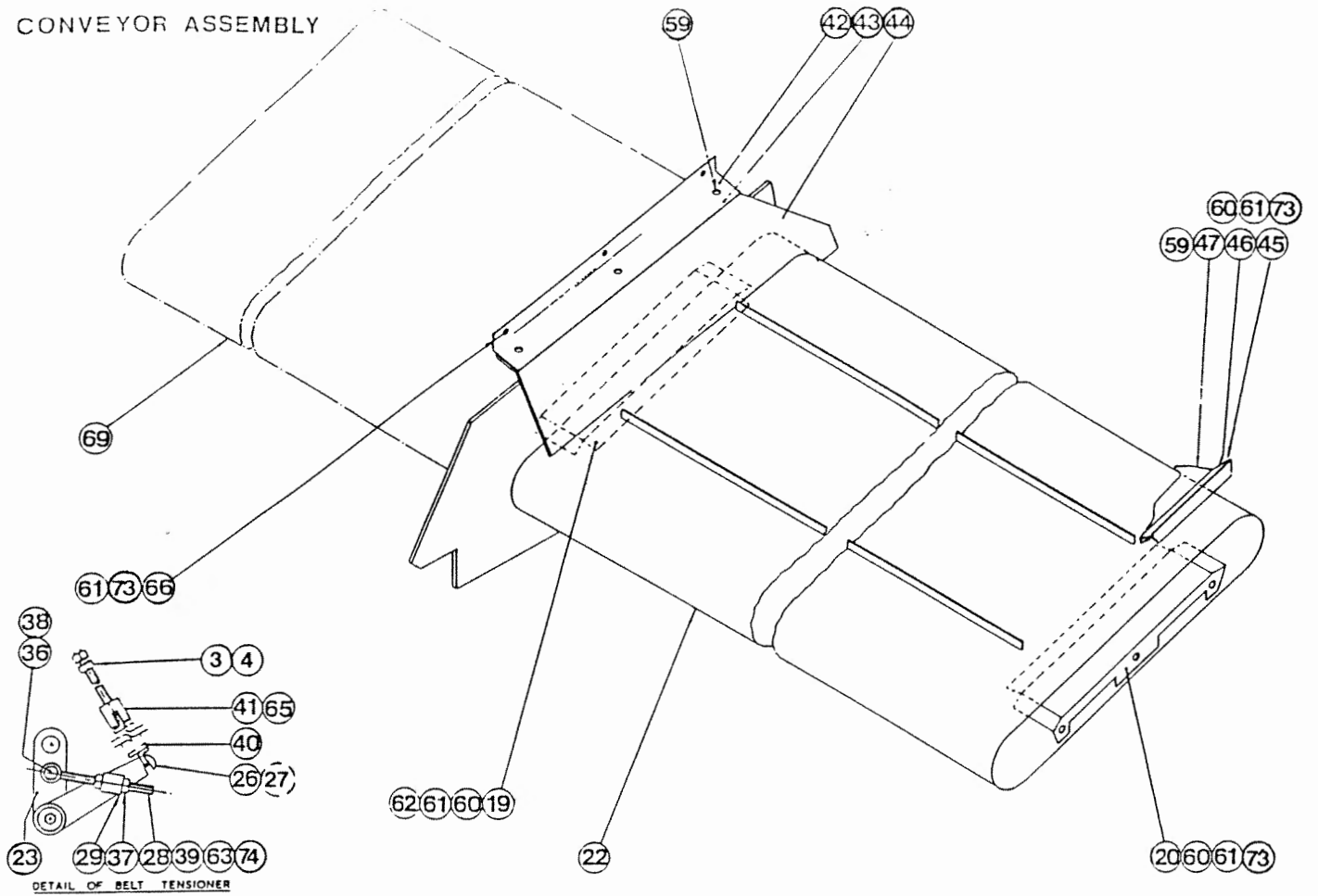


ASSY NUMBER: 196028 05

ASSY DESCRIPTION: CONVEYOR ASSY (5.4)

ITEM	PART NO	DESCRIPTION	QTY	ITEM	PART NO	DESCRIPTION	QTY
1	191004 08	DRIVE ROLLER (3.0)	1	39	HSS-0135	SET SCREW	4
2	BRG-2020	BEARING	2	40	SPG-0060	SPRING	2
3	NUT-0170	PLAIN NUT	4	41	190114 01	SPRING ADJ.	2
4	WSH-0018	PLAIN WASHER	4	42	190175 01	SEAL SUPPORT (INNER)	2
5	SCW-0514	BUTT. HD SKT SCREW	6	43	190175 02	CLAMP STRIP (INNER)	2
6	NUT-0265	NYLOC NUT	6	44a	190175 03	SEAL STRIP (INNER) LH	1
7	WSH-0015	PLAIN WASHER	6	44b	190175 04	SEAL STRIP (INNER) RH	1
8	K0807030	KEY	1	45	190174 01	SEAL SUPPORT (OUTER)	2
9	190018 12	ROLLER (2.4)	1	46	190174 02	CLAMP STRIP (OUTER)	2
10	BRG-3358	BEARING	8	47a	190174 03	SEAL STRIP (OUTER) LH	1
11	CIR-0620	CIRCLIP	4	47b	190174 04	SEAL STRIP (OUTER) RH	1
12				48	BRG-1994	BEARING	2
13	190019 12	ROLLER ADJ SHAFT (2.4)	1	49	CIR-1125	CIRCLIP	5
14	WSH-1520	WASHER	6	50	191872 01	ROLLER DRIVE SHAFT	1
15	BSH-3040	BUSH	2	51	190119 08	PLAIN WASHER	1
16	BSH-3050	BUSH	2	52	191873 01	CONVEYOR ROLLER HUB	1
17	BSH-3060	BUSH	2	53	190553 01	CONVEYOR COUPLING DRIVE PIN	2
18				54	190552 01	CONVEYOR ROLLER DRIVE DOG	2
19	190023 01	BELT SUPPORT	1	55	191003 06	DRIVE ROLLER (IDLE)	1
20	190023 02	BELT SUPPORT	3	56	BRG-3270	BEARING	2
22	190022 03	CONVEYOR BELT (3.0)	1	57	SCW-4530	GRUB SCREW	4
	190022 06	(IF KIT-01815 IS FITTED)	1	58	SCW-0130	SOC. HD. CAP SCREW	1
23	190024 01	ADJ. ARM	2	59	SCW-3696	SLOT PAN HD . SCREW	16
24	190731 01	ADJ. ARM	2	60	WSH-0056	SPRING WASHER	17
25	190025 01	MTG BRACKET	2	61	WSH-0009	PLAIN WASHER	29
26	190730 02	TRACKING ARM LH	1	62	HSS-0088	SET SCREW	7
27	190730 01	TRACKING ARM RH	1	63	WSH-0058	SPRING WASHER	7
28	190027 06	TRACK ROD ASSY	2	65	PIN-1928	ROLL PIN	2
29	190027 03	ADJ BLOCK	2	66	NUT-0260	NYLOC NUT	8
30	190027 04	BRG JOURNAL	1	67	190018 11	ROLLER (3.0)	1
31	190027 05	BRG JOURNAL	1	68	190019 13	ROLLER ADJ SHAFT (3.0)	1
32				69	190022 02	CONVEYOR BELT (2.4)	1
33	190029 01	PLAIN WASHER	2		190022 05	(IF KIT-01815 IS FITTED)	1
34	SCW-0145	CAP HEAD SCREW	2	70	190596 02	STUB SHAFT CENTRE	2
35	SCW-0142	CAP HEAD SCREW	1	71	190596 01	STUB SHAFT ENDS	2
36	HSS-0210	SET SCREW	2	72	190596 03	SPACER TUBE	4
37	NUT-0167	PLAIN NUT	4	73	HSS-0086	SET SCREW	18
38	WSH-0061	SPRING WASHER	2	74	WSH-0015	PLAIN WASHER	4

CONVEYOR ASSEMBLY



CONVEYOR ASSEMBLY



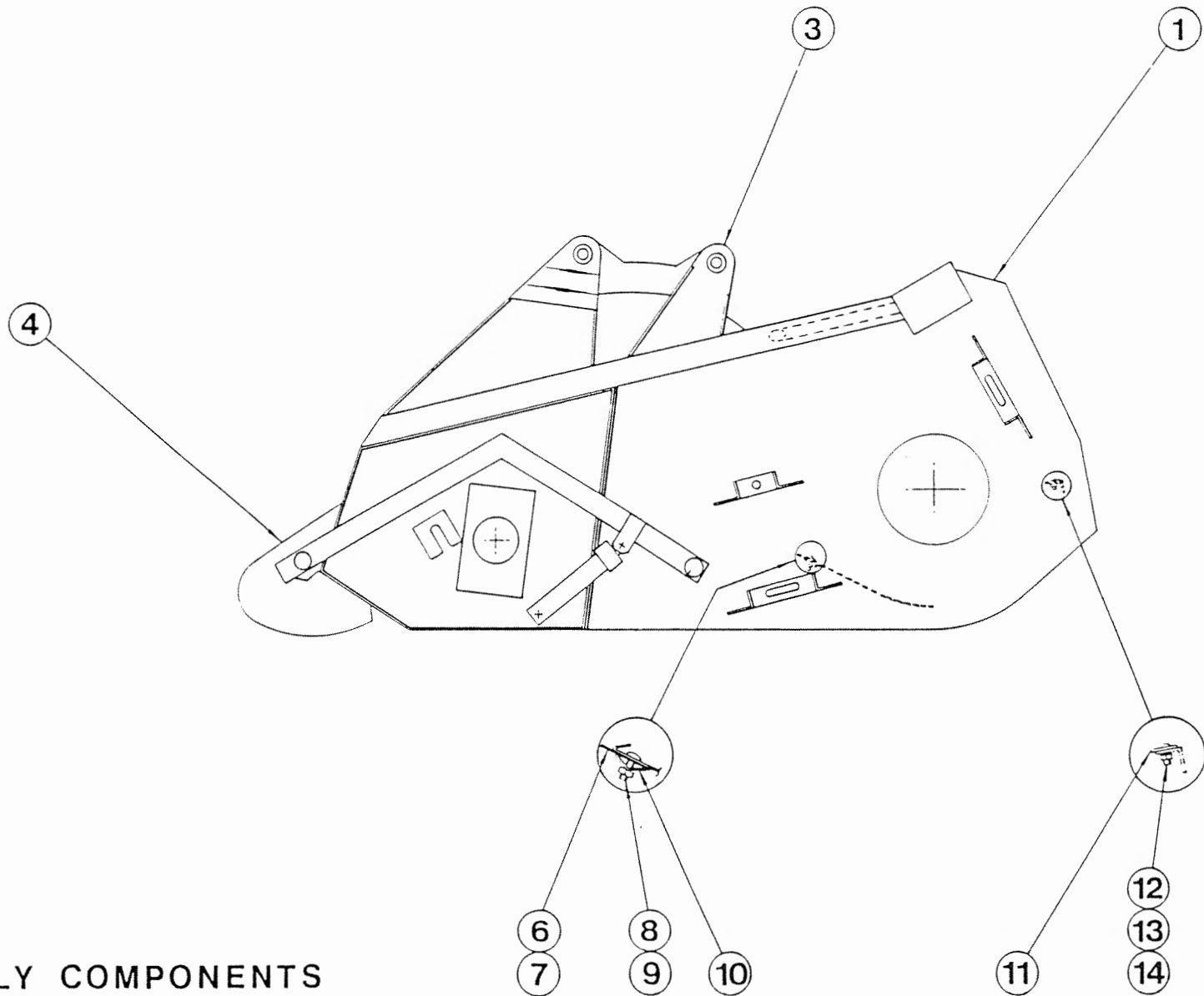
Shelbourne Reynolds Engineering Limited



ASSY NUMBER: 196031 15

ASSY DESCRIPTION: MKIIB 5.4M ASSY COMPONENTS

ITEM	PART NO	DESCRIPTION	QTY	ITEM	PART NO	DESCRIPTION	QTY
1	191668	FRAME ASSY	1				
2	191666	FRAME ASSY					
3	191338 01	COWL ASSY	1				
4	191337 01	ADJUSTER CROP DEFLECTOR	1				
5							
6	190590 03	RUBBER SEAL	1				
	191930 02	(IF KIT-01815 IS FITTED)	1				
7	190590 04	RUBBER SEAL	1				
	191930 03	(IF KIT-01815 IS FITTED)	1				
8	NUT-0260	NYLOC NUT	36				
9	SCW-3696	SLOT PAN HD. SCREW	36				
10	190590 01	CLAMP STRIP	9				
11	191034 11	STRIPPER PLATE	2				
12	BLT-4710	COACH BOLT	22				
13	NUT-0263	NYLOC NUT	22				
14	WSH-0012	PLAIN WASHER	22				



ASSEMBLY COMPONENTS

ASSY NUMBER:

196035 05

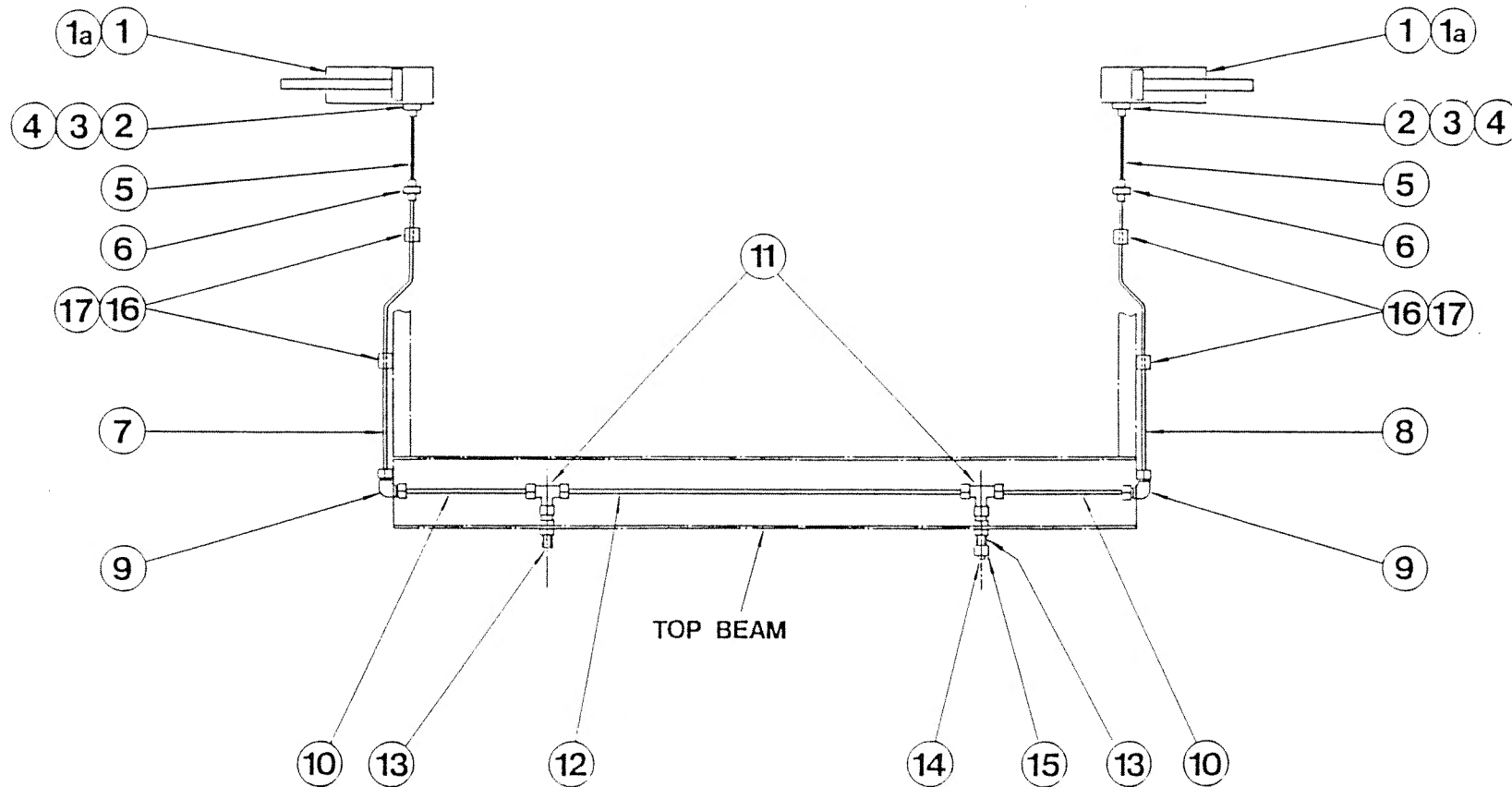
ASSY DESCRIPTION: HYDRAULICS (5.4M)

ITEM	PART NO	DESCRIPTION	QTY	ITEM	PART NO	DESCRIPTION	QTY
1	190030 01	HYDRAULIC RAM	2				
1A	SEA-0280	SEAL KIT					
2	190859 01	HYDRAULIC FITTING	2				
3	190859 02	RESTRICTOR	2				
4	WSH-1010	DOWTY WASHER	2				
5	2528 135	HOSE	2				
6	FIT-0047	HYDRAULIC FITTING	2				
7	191173 01	STEEL PIPE LH	1				
8	191173 02	STEEL PIPE RH	1				
9	FIT-0214	HYD FITTING	2				
10	RP-101510	STEEL PIPE	2				
11	FIT-0212	HYD FITTING	2				
12	RP-102439	STEEL PIPE	1				
13	FIT-0213	HYD FITTING	2				
14	FIT-0215	HYD PLUG FITTING	1				
15	FIT-0051	NUT	1				
16	FIT-1000	PETA CLAMPS	4				
17	SCW-0086	CAP HEAD SCREW	8				

L.H.

— RIGID STEEL PIPE.
— FLEXIBLE HOSE.

R.H.



NOTE;
SEE RELEVANT ADAPTOR PLATE ASS'Y FOR THE TYPE OF QUICK
RELEASE FITTING TO CONNECT WITH ITEM 13.

HYDRAULICS.



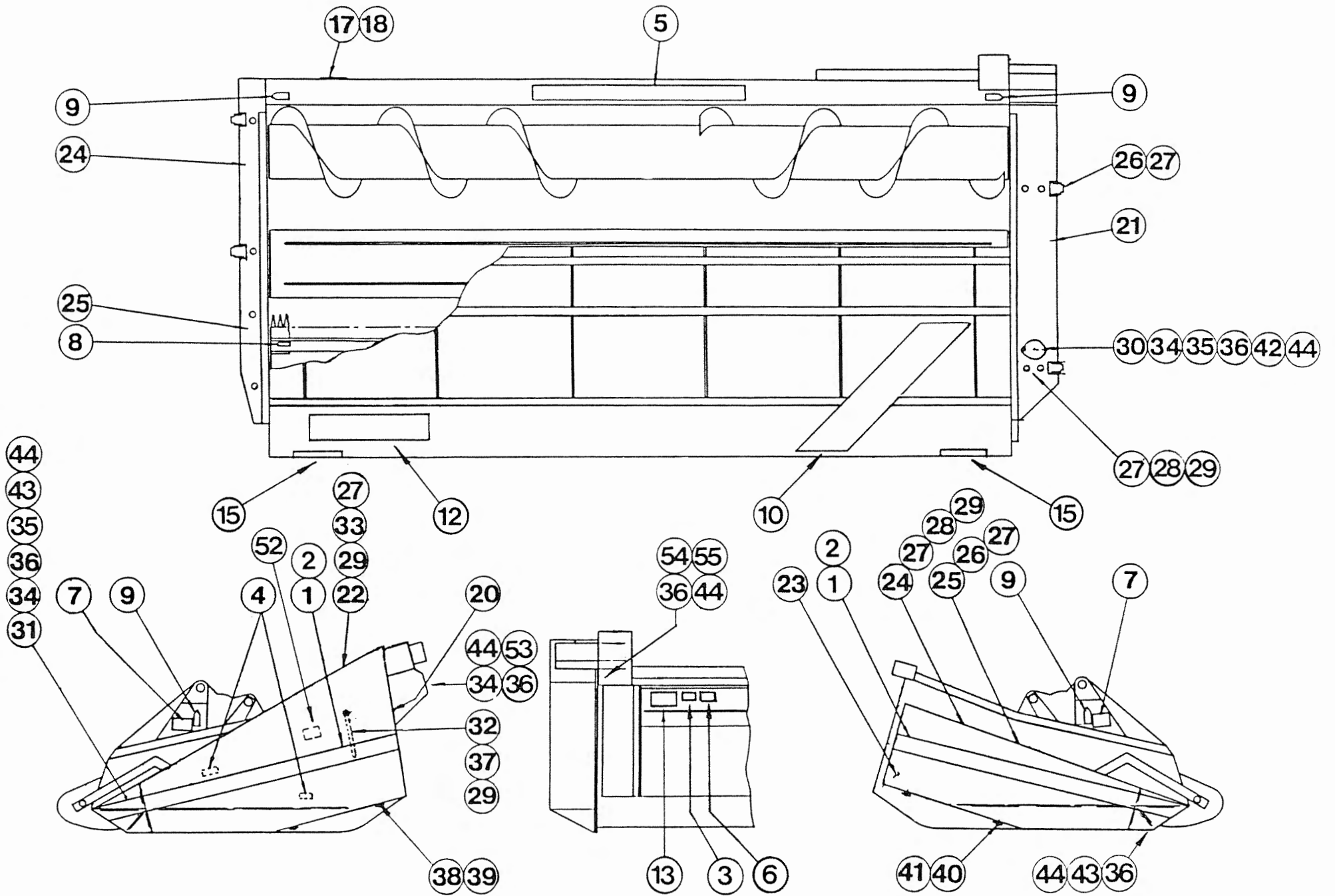
Shelbourne Reynolds Engineering Limited



ASSY NUMBER: 196036 03

ASSY DESCRIPTION: EMBLEMS & GUARDS WITH WEAR STRIPS

ITEM	PART NO	DESCRIPTION	QTY	ITEM	PART NO	DESCRIPTION	QTY
1	191983 01	EMBLEM (STRIPES & REYNOLDS)	2	34	HSS-0084	SET SCREW	6
2	191982 01	EMBLEM (SHELBOURNE)	2	35	NUT-0260	NYLOC NUT	2
3	127075 10	EMBLEM (IMPORTANT, READ OP.)	1	36	WSH-0009	PLAIN WASHER	13
4	127075 12	EMBLEM (GREASE 10 HOURS)	6	37	PIN-1088	SPLIT PIN	1
5	TNF-0003	EMBLEM (AWARDS)	1	38	RUB-0151	RUBBER TOGGLE (LARGE)	2
6	192376 01	EMBLEM (WARNING, PTO GUARDS)	1	39	RUB-0154	HINGE PIN (LARGE)	2
7	190702 03	EMBLEM (DANGER, KEEP CLEAR)	2	40	RUB-0161	RUBBER TOGGLE (SMALL)	2
8	190702 02	EMBLEM (CAUTION, LOCK. BOLTS)	4	41	RUB-0164	HINGE PIN (SMALL)	2
9	190702 04	EMBLEM (SLING POINT)	4	42	SCW-4700	WING SCREW	1
10	191981 01	EMBLEM (STRIPES & SHEL. REY)	1	43	HSS-0086	SET SCREW	2
11				44	WSH-0056	SPRING WASHER	9
12a	190847 01	EMBLEM (3.0M)	1	45			
12b	190847 02	EMBLEM (3.6M)	1	46			
12c	190847 03	EMBLEM (4.2M)	1	47			
12d	190847 04	EMBLEM (4.8M)	1	48			
12e	190847 05	EMBLEM (6.0M)	1	49			
12f	190847 06	EMBLEM (5.4M)	1	50			
13	190849 01	EMBLEM (WARNING)	1	51			
14	190848 05	EMBLEM (CAB)	1	52	191940 01	TRANSFER (SHEARBOLT/NUT)	1
15	191773 01	EMBLEM (NO STRAPS, ETC)	2	53	191701 01	GEARBOX GUARD	1
16				54	191762 01	COVER PLATE	1
17	191359 01	IDENTIFICATION PLATE	1	55	HSS-0082	SET SCREW	2
18	POP-0006	POP RIVET	4				
19							
20	191699 01	SIDE DEFLECTOR LH	1				
21	191697 01	DRIVE GUARD TOP PLATE	1				
22	191706 01	DRIVE GUARD SUPPORT PLATE	1				
23	191772 01	SIDE DEFLECTOR RH	1				
24	191202 01	TOP COVER RH	1				
25	191360 01	TOP COVER RH	1				
26	BLT-2165	BOLT	4				
27	NUT-0263	NYLOC NUT	15				
28	HSS-0140	SET SCREW	8				
29	WSH-0012	PLAIN WASHER	23				
30	191355 01	COVER	1				
31	191352 01	FRONT DEFLECTOR LH	1				
32	191370 01	GUARD STAY	1				
33	HSS-0145	SET SCREW	3				



EMBLEMS AND GUARDS

ERE

Shelbourne Reynolds Engineering Limited

ERE

ASSY NUMBER: 196042 04

ASSY DESCRIPTION: STRIPPING ROTOR ASSY RH 2.4M MK2

ITEM	PART NO	DESCRIPTION	QTY	ITEM	PART NO	DESCRIPTION	QTY
1	191363 03	ROTOR SECTION	8	26	191646 01	ANTI WEAR STRIP (RH END)	8
2	190549 01	ROTOR SECTION PL RH	3	or	192108 01	S-TYPE WEAR STRIP (RH END)	8
3	190549 02	ROTOR SECTION PL LH	2	27			
4	191357 01	ROTOR BLADE(CENTRE) CEREALS	16	28	191357 07	ROTOR BLADE(END) CEREALS	8
	191968 02	ELITE ELEMENT RICE	16		191968 02	ELITE ELEMENT RICE	8
5	SCW-5180	SELF TAP. SCREW	32			(ONLY REQUIRED IF KIT-00916	
		(IF KIT-00916 IS FITTED)	16			IS FITTED)	
6	191651 03	ROTOR SHAFT ASSY	1	29	191865 02	CENTRE FINGER (RH)	8
7	190008 01	ROTOR END COVER	2			(ONLY REQUIRED IF KIT-00916	
8	HSS-0147	SET SCREW	192			IS FITTED)	
9	191313 01	ANTI WRAP PLATE LH	8				
		(NOT REQUIRED IF KIT-00916					
		IS FITTED)					
10	WSH-0058	SPRING WASHER	192				
11	HSS-0191	SET SCREW	15				
12	WSH-0015	PLAIN WASHER	30				
13	NUT-0265	NYLOC NUT	15				
14	191313 02	ANTI WRAP PLATE RH	8				
15	191630 01	ANTI WEAR STRIP	24				
or	192109 01	S-TYPE WEAR STRIP	24				
16	190760 01	END BLANKING PLATE RH	1				
17	190760 02	END BLANKING PLATE LH	1				
18	HSS-0135	SET SCREW	128				
19	WSH-1300	SHAKEPROOF WASHER	128				
20	191357 04	ROTOR BLADE(END) CEREALS	16				
		(IF KIT-00916 IS FITTED)	8				
	191968 02	ELITE ELEMENT RICE	16				
		(IF KIT-00916 IS FITTED)	8				
21	191471 01	ANTI WRAP ADJ PLATE	16				
		(IF KIT-00916 IS FITTED)	8				
22							
23							
24	WSH-1034	PENNY WASHER	48				
		(IF KIT-00916 IS FITTED)	24				
25	191646 04	ANTI WEAR STRIP (RH CTR)	8				
	191646 06	(IF KIT-00916 IS FITTED)	8				
or	192108 06	S-TYPE WEAR STRIP (RH CTR)	8				
		(IF KIT-00916 IS FITTED)					



Shelbourne Reynolds Engineering Limited

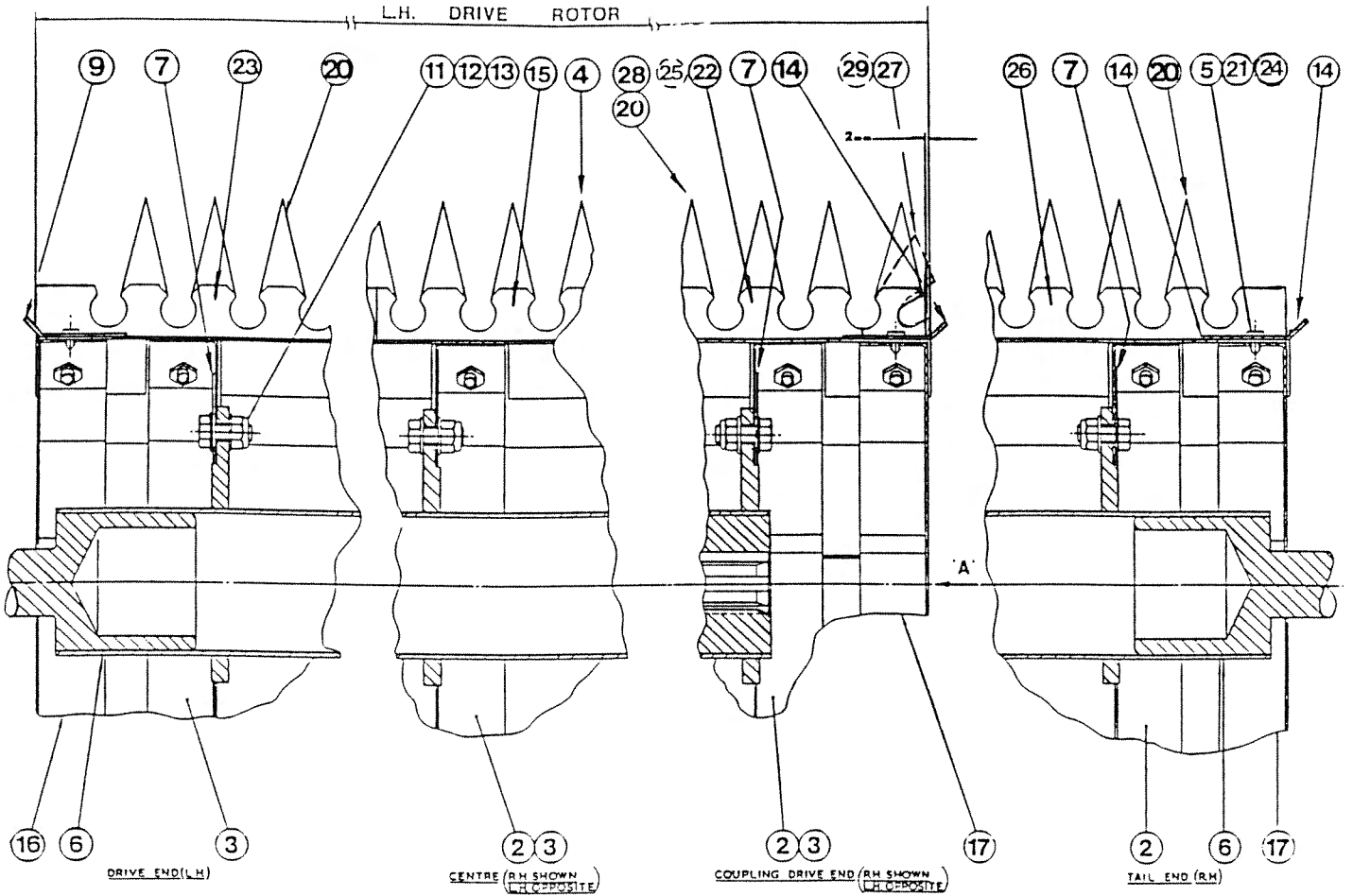


ASSY NUMBER:

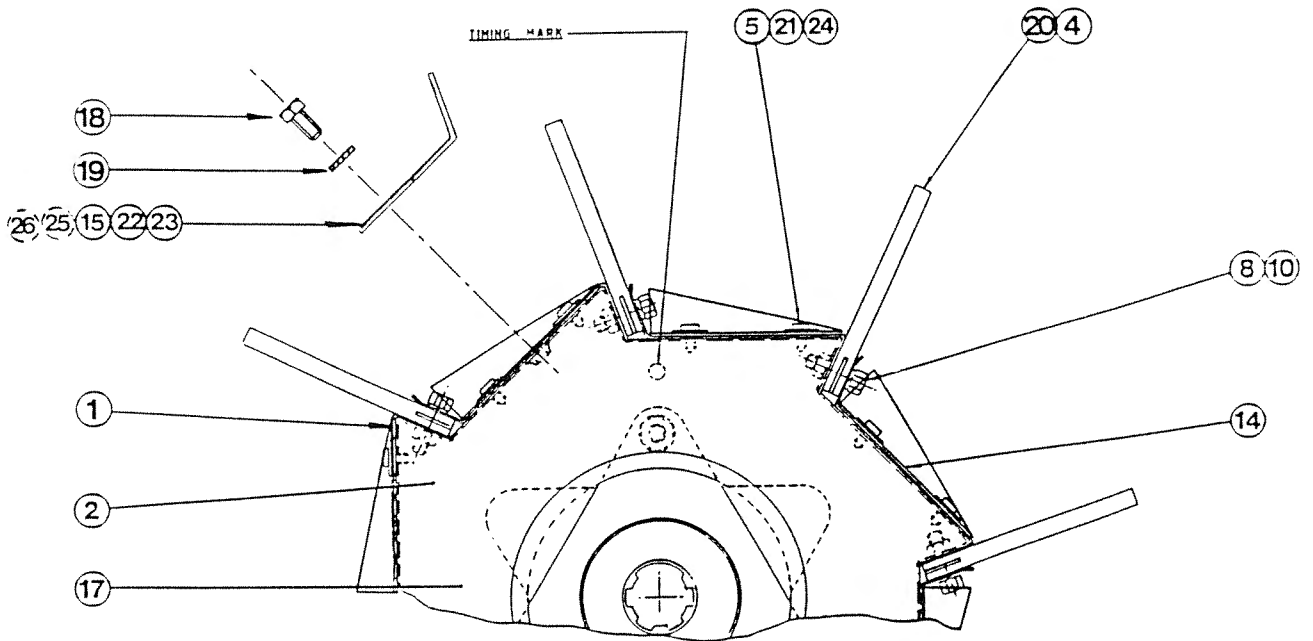
196042 05

ASSY DESCRIPTION: STRIPPING ROTOR ASSY LH 3.0M MK2

ITEM	PART NO	DESCRIPTION	QTY	ITEM	PART NO	DESCRIPTION	QTY
1	191364 01	ROTOR SECTION	8	25			
2	190549 01	ROTOR SECTION PL RH	4	26			
3	190549 02	ROTOR SECTION PL LH	2	27	191865 01	CENTRE FINGER (LH)	8
4	191357 01	ROTOR BLADE(CENTRE) CEREALS	24			(ONLY REQUIRED IF KIT-00916 IS FITTED)	
	191968 02	ELITE ELEMENT RICE	24				
5	SCW-5180	SELF TAP. SCREW	32	28	191357 07	ROTOR BLADE(END) CEREALS	8
		(IF KIT-00916 IS FITTED)	16		191968 02	ELITE ELEMENT RICE	8
6	191651 02	ROTOR SHAFT ASSY	1			(ONLY REQUIRED IF KIT-00916 IS FITTED)	
7	190008 01	ROTOR END COVER	2				
8	HSS-0147	SET SCREW	240				
9	191313 01	ANTI WRAP PLATE LH	8				
10	WSH-0058	SPRING WASHER	240				
11	HSS-0191	SET SCREW	18				
12	WSH-0015	PLAIN WASHER	36				
13	NUT-0265	NYLOC NUT	18				
14	191313 02	ANTI WRAP PLATE RH	8				
		(NOT REQUIRED IF KIT-00916 IS FITTED)					
15	191630 01	ANTI WEAR STRIP	32				
or	192109 01	S-TYPE WEAR PLATE	32				
16	190760 01	END BLANKING PLATE RH	1				
17	190760 02	END BLANKING PLATE LH	1				
18	HSS-0135	SET SCREW	160				
19	WSH-1300	SHAKEPROOF WASHER	160				
20	191357 04	ROTOR BLADE(END) CEREALS	16				
		(IF KIT-00916 IS FITTED)	8				
	191968 02	ELITE ELEMENT RICE	16				
		(IF KIT-00916 IS FITTED)	8				
21	191471 01	ANTI WRAP ADJ PLATE	16				
		(IF KIT-00916 IS FITTED)	8				
22	191646 03	ANTI WEAR STRIP (LH CTR)	8				
	191646 05	(IF KIT-00916 IS FITTED)	8				
or	192108 05	S-TYPE WEAR PLATE (LH CTR)	8				
		(IF KIT-00916 IS FITTED)					
23	191646 02	ANTI WEAR STRIP (LH END)	8				
or	192108 02	S-TYPE WEAR PLATE (LH END)	8				
24	WSH-1034	PENNY WASHER	48				
		(IF KIT-00916 IS FITTED)	24				



STRIPPING ROTOR ASSEMBLY



VIEW ON ARROW A

ASSEMBLY OF ROTOR

ALWAYS START AT THE SPLINED END.
 FOR L.H. ROTORS - 1st SECTION PLATE R.H. ITEM 2
 FOR R.H. ROTORS - 1st SECTION PLATE L.H. ITEM 3
 ALIGN TIMING HOLE ON SECTION PLATE WITH HOLE IN THE TRIANGULAR PLATE WHICH IS IN LINE WITH THE MASTER SPLINE.
 FOLLOWING SECTION PLATES ARE ASSEMBLED WITH THE TIMING HOLE 180° ALTERNATE.

STRIPPING ROTOR ASSEMBLY



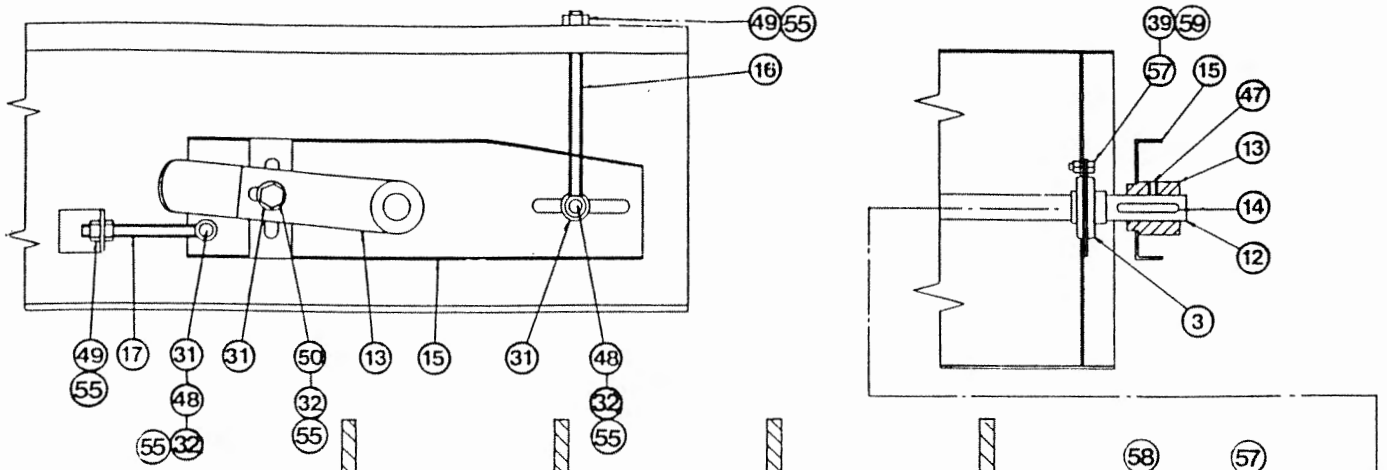
Shelbourne Reynolds Engineering Limited



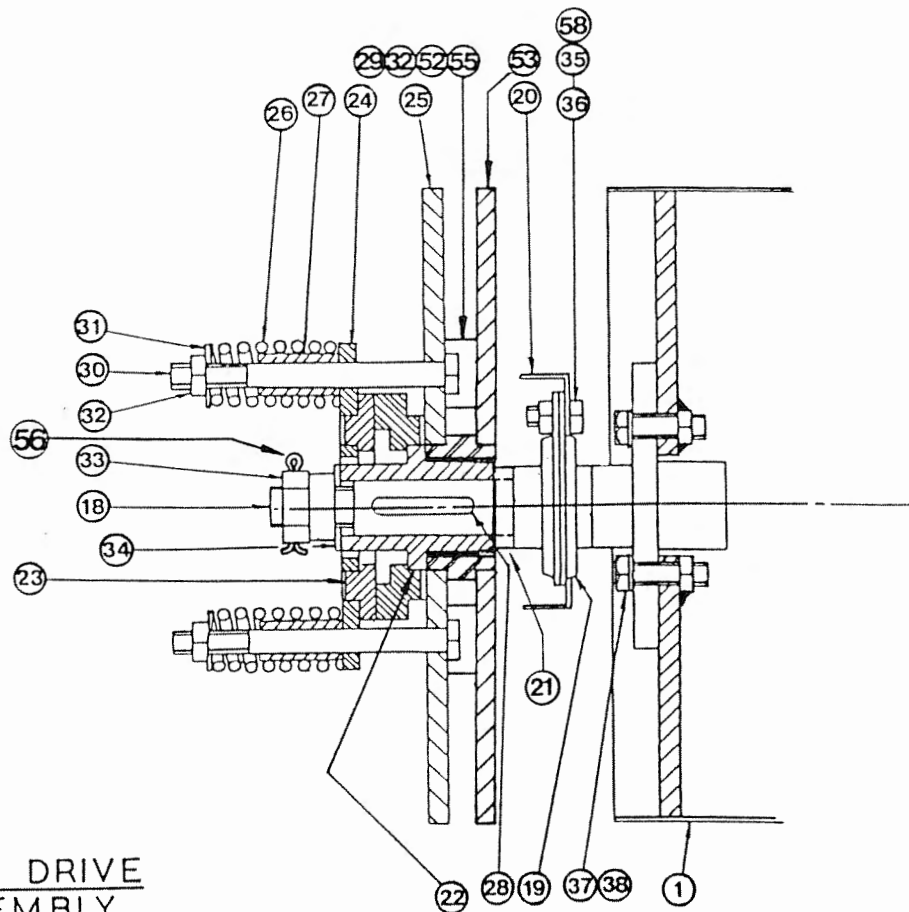
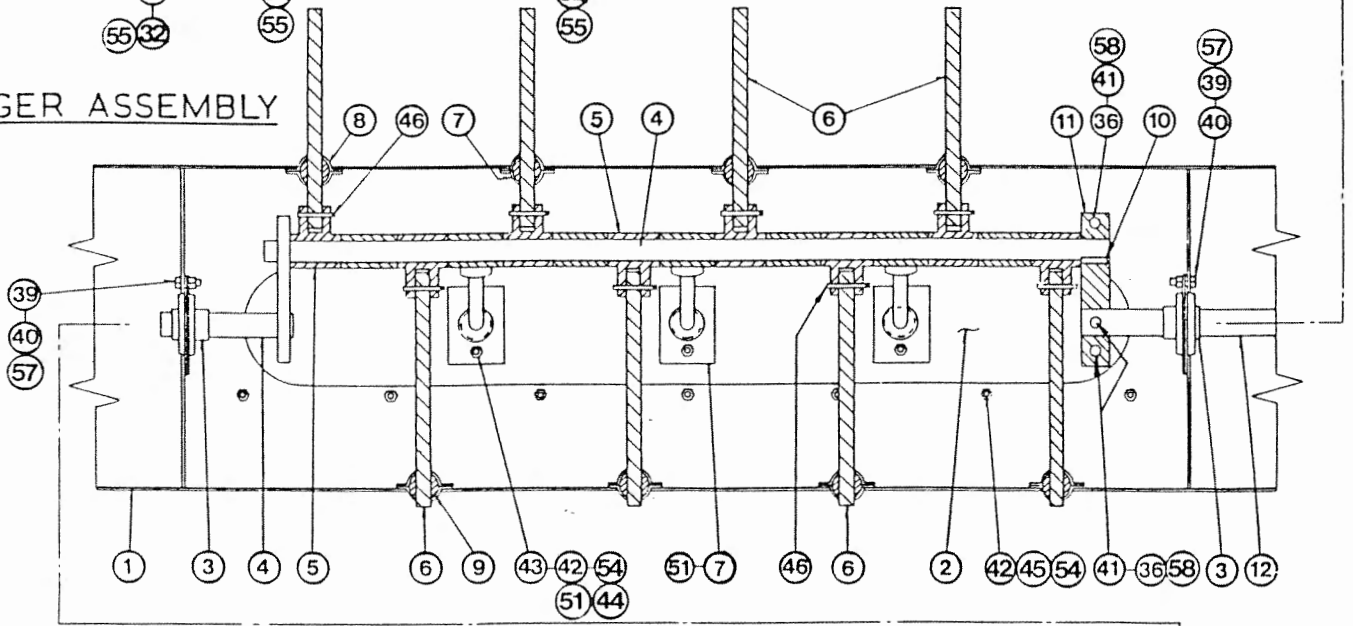
ASSY NUMBER: 196047 05

ASSY DESCRIPTION: AUGER (5.4M) (WITH FLIGHT TIPS)

ITEM	PART NO	DESCRIPTION	QTY	ITEM	PART NO	DESCRIPTION	QTY
1	191616 01	AUGER W A	1	39	HSS-0140	SET SCREW	9
2	190696 01	COVER PLATE	1	40	NUT-0263	NYLOC NUT	6
3	BRG-4160	BEARING	3	41	BLT-2197	BOLT	3
4	190546 01	AUGER CRANK	1	42	SCW-4960	BUTT. HD SKT SCREW	48
5	132010 01	BUSH FOR FINGER	15	43	190735 01	BLANKING PLATE	1
6	190547 01	FINGER	14	44	NUT-0260	NYLOC NUT	34
7	132011	FINGER PLATE CONCAVE	14	45	WSH-0056	SPRING WASHER	14
8	132012	FINGER PLATE CONVEX	14	46	PIN-1167	SPLIT PIN	14
9	132013	FINGER GUIDE	14	47	SCW-4530	GRUB SCREW	2
10	131095 03	KEY	1	48	BLT-3812	COACH BOLT	4
11	190545 01	AUGER CLAMP	1	49	NUT-0170	PLAIN NUT	8
12	191335 01	AUGER SHAFT	1	50	HSS-0241	SET SCREW	1
13	190208	FINGER ADJUSTER	1	51	190728 01	FINGER SHIM	14
14	K0807060	KEY	1	52	SCW-1975	CSK. SKT HEAD SCREW)	4
15	191005 02	AUGER ADJUSTER RH	1	53	131024 05	SPROCKET (50T)	1
16	190585 06	VERTICAL ADJUSTER	2	54	WSH-0009	PLAIN WASHER	48
17	190585 04	HORIZONTAL ADJUSTER	2	55	WSH-0018	PLAIN WASHER	18
18	132018 02	AUGER DRIVE SHAFT	1	56	PIN-1150	SPLIT PIN	1
19	BRG-0240	BEARING	1	57	WSH-0012	PLAIN WASHER	9
20	191005 01	AUGER ADJUSTER LH	1	58	WSH-0015	PLAIN WASHER	6
21	132022 01	SPACER	1	59	WSH-0058	SPRING WASHER	3
22	131025	HUB	1				
23	131005	CLUTCH PLATE	2				
24	131055 01	DRIVE PLATE	1				
25	131024 01	SPROCKET (50T)	1				
26	131063	SPRING	4				
27	131073 01	SPACER	4				
28	K0807050	KEY	1				
29	191006 01	SPACER	4				
30	BLT-2273	BOLT	4				
31	124048 01	PLAIN WASHER	4				
32	NUT-0269	NYLOC NUT	13				
33	NUT-0580	CASTLE NUT	1				
34	WSH-0030	PLAIN WASHER	1				
35	HSS-0191	SET SCREW	3				
36	NUT-0265	NYLOC NUT	6				
37	HSS-0250	SET SCREW	4				
38	WSH-0065	SPRING WASHER	4				



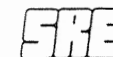
AUGER ASSEMBLY



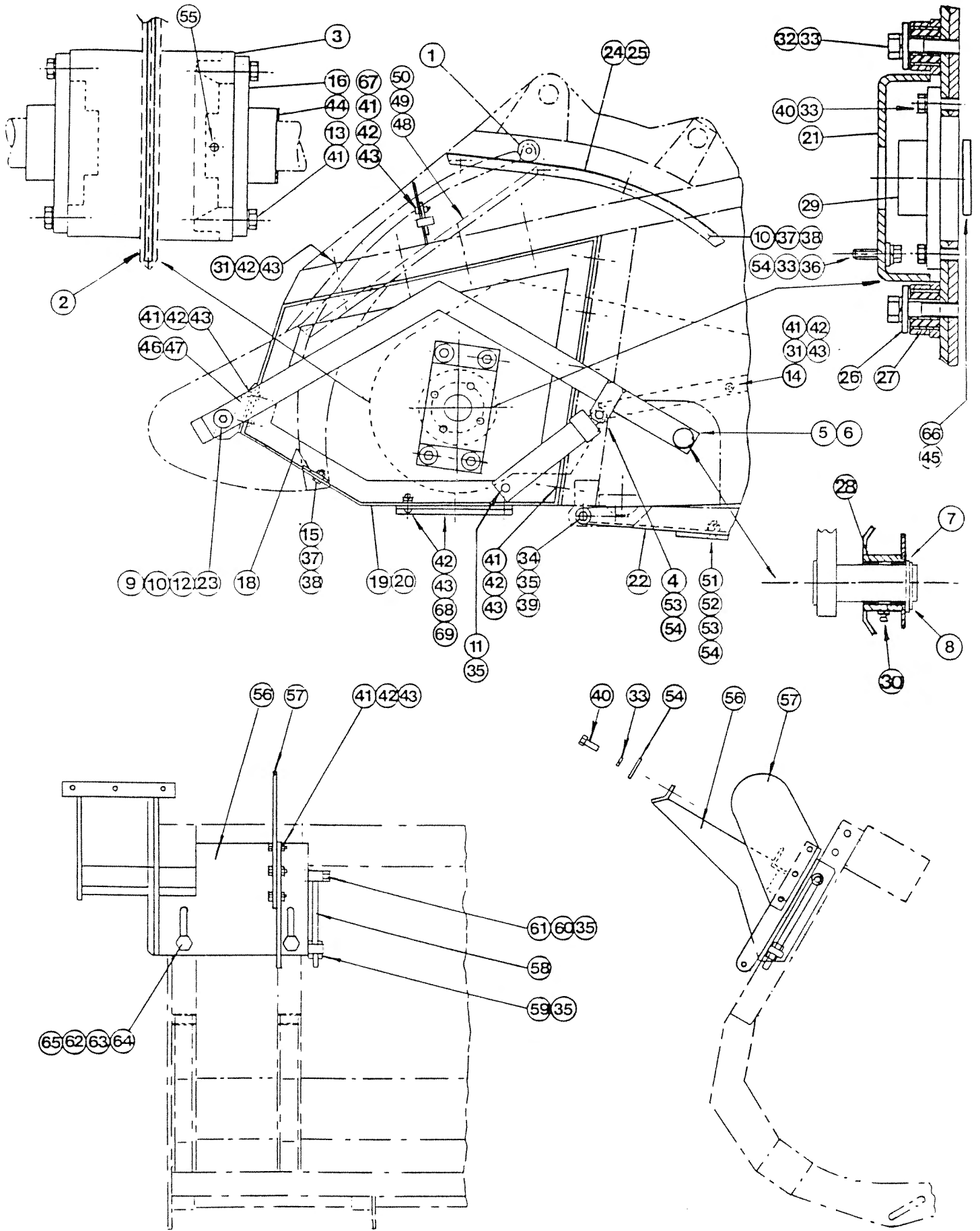
AUGER DRIVE ASSEMBLY



Shelbourne Reynolds Engineering Limited



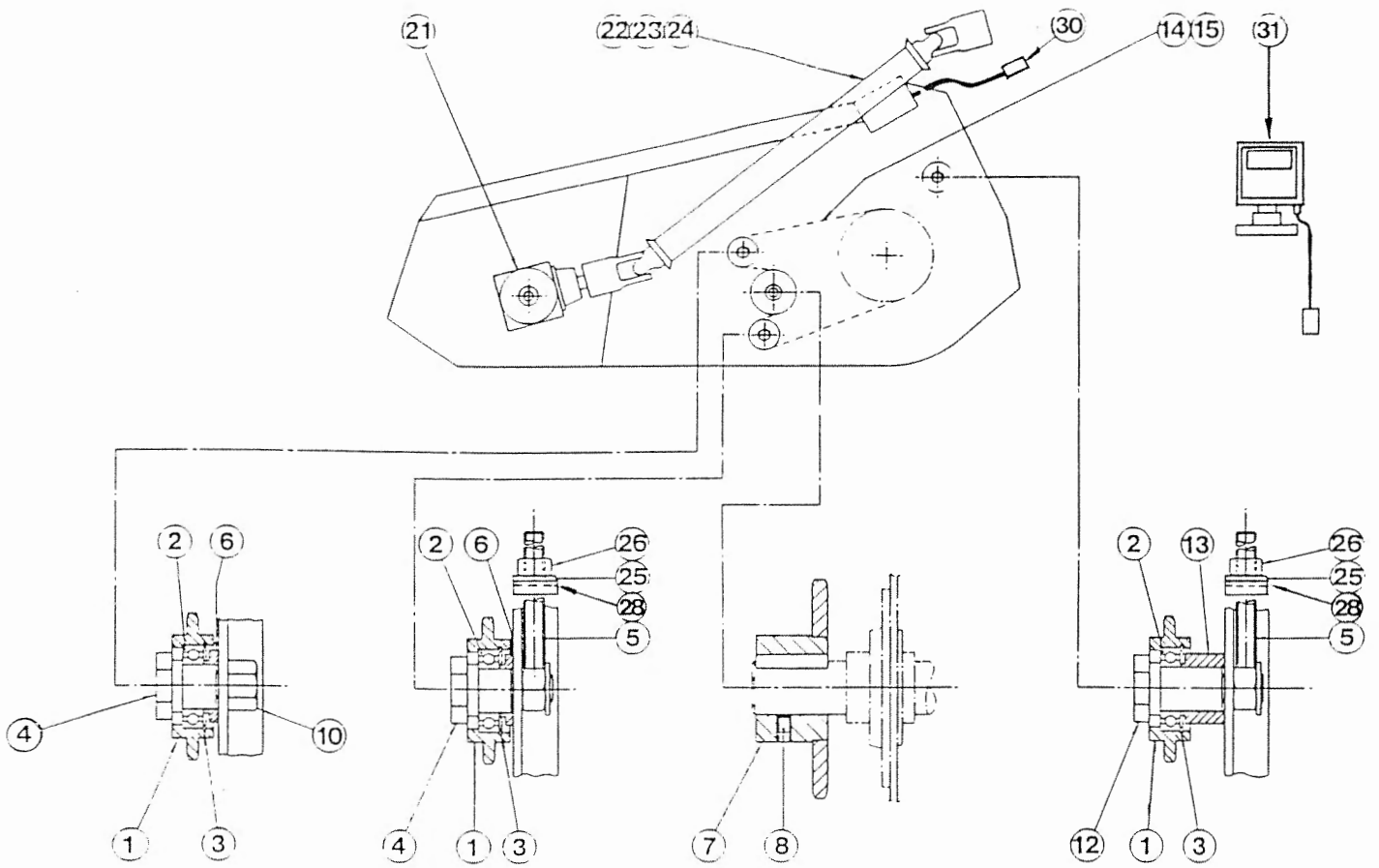
ASSY NUMBER: 196048 02		ASSY DESCRIPTION: ASSY PARTS MKIIB CT MULTI PLATE(4 SKIDS)					
ITEM	PART NO	DESCRIPTION	QTY	ITEM	PART NO	DESCRIPTION	QTY
1	191611	BEARING ASSY	2	38	WSH-0012	PLAIN WASHER	10
2	190468 01	UPPER DIVISION PLATE	1	39	WSH-0070	SPRING WASHER	16
	191870 01	(IF KIT-00916 IS FITTED)	1	40	HSS-0238	SET SCREW	10
3	190472 01	ROTOR FLANGE PLATE	1	41	HSS-0194	SET SCREW	42
4	HSS-0260	SET SCREW	2	42	WSH-1515	PLAIN WASHER	76
5	190790 01	LEVER ARM ASSY RH	1	43	NUT-0265	NYLOC NUT	46
6	190790 02	LEVER ARM ASSY LH	1	44	190845	ROTOR SPACER	2
7	CIR-1150	CIRCLIP	2	45	190896	ROTOR SPACER	1
8	WSH-1547	PLAIN WASHER	2	46	192193 01	ADJ COWL STOP LH	1
9	BSH-3030	BUSH	2	47	192193 02	ADJ COWL STOP RH	1
10	HSS-0140	SET SCREW	10	48	191324 01	CLAMP STRIP	2
11	PIN-1150	SPLIT PIN	2	49	191325 01	RUBBER SEAL	2
12	WSH-0058	SPRING WASHER	2	50	POP-0006	POP RIVET	12
13	WSH-0061	SPRING WASHER	12	51	191592 01	WEAR PLATE	4
14	NUT-0365	HALF NUT	1	52	SCW-1955	CSK. SKT HEAD SCREW	8
15	HSS-0145	SET SCREW	2	53	NUT-0269	NYLOC NUT	10
16	BRG-0250	BEARING	3	54	WSH-0018	PLAIN WASHER	20
17				55	SCW-4530	GRUBSCREW	1
18	190478 01	DIVIDER HEIGHT ADJUSTER	2	56	191688 01	GEARBOX BRACKET (CAST IRON)	1
19	190803 13	SIDE FRAME RH	1	or	191852 01	GEARBOX BRACKET (ALUM. /FINS)	1
20	191656 02	SIDE FRAME LH	1	57	191680 01	DROP BOX SUPPORT PLATE	1
21	191652 01	GEARBOX BRACKET	1	58	191686 01	VARIABLE GB HEIGHT ADJUSTER	2
22	190332 01	SKID ASSY	4	59	NUT-0180	PLAIN NUT	4
23	190119 05	PLAIN WASHER	2	60	NUT-0271	NYLOC NUT	2
24	190499 01	RUNNER ASSY RH	1	61	BLT-2334	BOLT	2
25	190499 02	RUNNER ASSY LH	1	62	BLT-2370	BOLT	2
26	190119 04	PLAIN WASHER	4	63	NUT-0185	PLAIN NUT	2
27	BSH-1530	BUSH	4	64	WSH-0030	PLAIN WASHER	2
28	BSH-3070	BUSH	4	65	WSH-0065	SPRING WASHER	2
29	BRG-3275	BEARING	1	66	191764	ROTOR SPACER	1
30	NIP-0051	NIPPLE	2	67	192779 01	NOSE ARM STOP PLATE	1
31	HSS-0191	SET SCREW	11	68	191645 01	DIVIDING PLATE	2
32	BLT-2247	BOLT	4	69	SCW-0514	BUTT. HD SKT SCREW	6
33	WSH-0065	SPRING WASHER	18				
34	HSS-0315	SET SCREW	16				
35	WSH-0024	PLAIN WASHER	24				
36	HSS-0235	SET SCREW	4				
37	NUT-0260	NYLOC NUT	10				



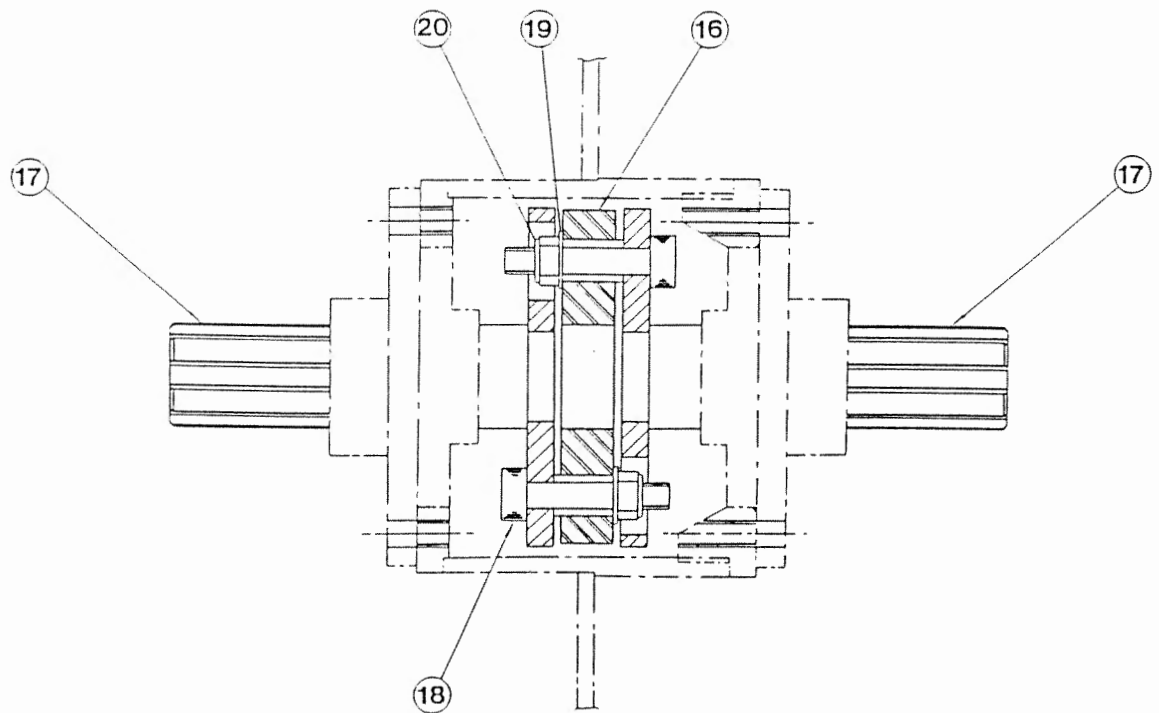
ASSY NUMBER: 196049 01

ASSY DESCRIPTION: DRIVE COMPONENTS C. T. MKIIB MULTI PLATE

ITEM	PART NO	DESCRIPTION	QTY	ITEM	PART NO	DESCRIPTION	QTY
1	131014 01	SPROCKET IDLER	3	30	RDS-0001	COMBINE TACHO KIT	1
2	BRG-1995	BEARING	3	31	RDS-0005	HEADER TACHO KIT	1
3	CIR-0470	CIRCLIP	3			(SEE PARTS LIST RDS-0001/ RDS-0005)	
4	190060 06	CONVEYOR IDLER SPINDLE	2				
5	191777 01	IDLER ADJ SCREW	2				
6	191040 01	CONVEYOR IDLER SPACER	2				
7	190057 01	CONVEYOR SPROCKET	1				
8	SCW-4535	GRUB SCREW	2				
9							
10	NUT-0271	NYLOC NUT	1				
11							
12	190060 07	AUGER IDLER SPINDLE	1				
13	191040 02	AUGER SPACER	1				
14	CHN-0020	CHAIN	103				
15	CHN-0111	JOINER	1				
16	COU-0180	FLEXIBLE COUPLING	1				
17	190761 01	HUB AND SHAFT	2				
18	SCW-0201	CAP HEAD SCREW	6				
19	WSH-0015	PLAIN WASHER	6				
20	NUT-0265	NUT	6				
21	GEA-0095	BEVEL GEARBOX (SEE PARTS LIST GEA-0095)	1				
23	PTO-09002	POWER SHAFT	1				
23A	BLT-2115	SHEAR BOLT	1				
23B	NUT 0162	PLAIN NUT	1				
24							
25	WSH-0018	PLAIN WASHER	2				
26	NUT-0170	PLAIN NUT	2				
27	GEA-0085	SIX SPEED GEARBOX ASSY (SEE PARTS LIST GEA-0085)	1				
28	191774 01	PLATE	2				
29							



DRIVE COMPONENTS



DRIVE COMPONENTS

NOTE - TORQUE ITEMS 24 & 26 TO 77 N/M



Shelbourne Reynolds Engineering Limited



ASSY NUMBER:

GEA-0085

ASSY DESCRIPTION: 6 SPEED G. BOX ASSY CAST IRON (WITH DROP BOX)

ITEM	PART NO	DESCRIPTION	QTY	ITEM	PART NO	DESCRIPTION	QTY
1	GEA-1203	GEARBOX CASING	1	35	PIN-1168	SPLIT PIN	1
2	GEA-1102	INPUT SHAFT	1	36	GEA-1302	GASKET SET	1
3	GEA-1204	SEAL HOUSING	1				
4	SEA-0550	ROTARY SHAFT SEAL	1				
5	BRG-6600	BEARING	1				
6	BRG-6601	BEARING	2				
7	CIR-3800	CIRCLIP	3				
8	CIR-2700	CIRCLIP	3				
9	GEA-1103	LAYSHAFT	1				
10	GEA-1002	BEVEL GEAR (15T)	1				
11	BRG-6800	BEARING	1				
12							
13	HSS-0194	SET SCREW	14				
14	WSH-0061	SPRING WASHER	14				
15	GEA-1206	REMOVABLE COVER	1				
16	GEA-1301	REMOVABLE COVER GASKET	1				
17	SCW-4750	WING SCREW	3				
18	WSH-1301	SHAKEPROOF WASHER	3				
19	FIT-0223	PLUG	1				
20	FIT-0218	BREATHER	1				
21							
22	GEA-1072	CHANGE GEAR (18T)	1				
23	GEA-1073	CHANGE GEAR (20T)	1				
24	GEA-1074	CHANGE GEAR (22T)	1				
25	GEA-1075	CHANGE GEAR (24T)	1				
26	GEA-1076	CHANGE GEAR (26T)	1				
27	GEA-1077	CHANGE GEAR (28T)	1				
28	191691 01	OUTPUT HOUSING	1				
29	191670 01	OUTPUT SHAFT (15T INVOLUTE)	1				
or	191820 01	OUTPUT SHAFT (28T INVOLUTE)	1				
30	GEA-1003	BEVEL GEAR (18T)	1				
31	BRG-6000	BEARING	1				
32	BRG-5700	BEARING	1				
33	SEA-0560	ROTARY SHAFT SEAL (15T INV)	1				
or	SEA-0565	ROTARY SHAFT SEAL (28T INV)	1				
34	NUT-0590	CASTLE NUT	1				

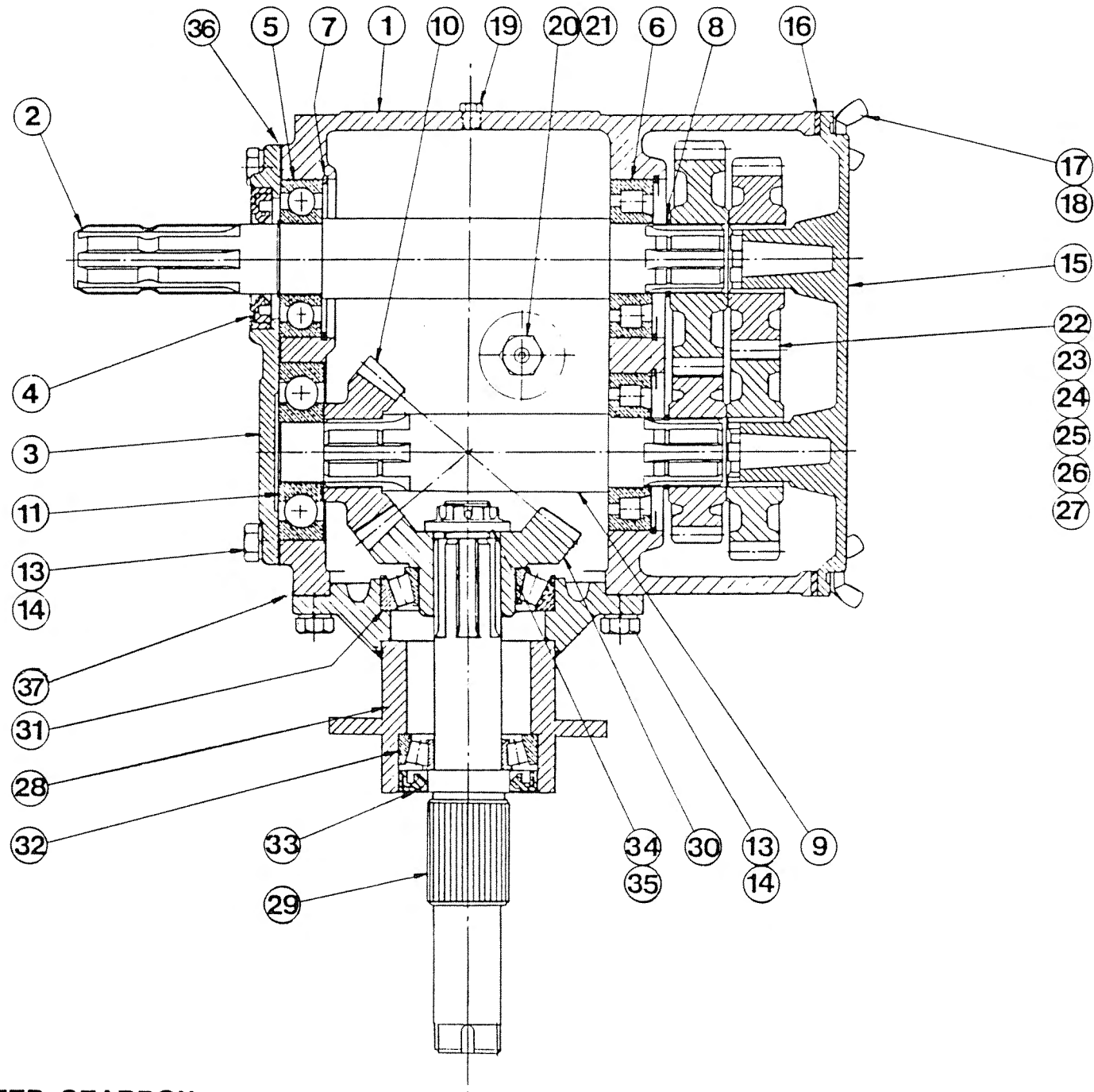


Shelbourne Reynolds Engineering Limited



ASSY NUMBER: GEA-0085 ASSY DESCRIPTION: 6 SPEED G. BOX ASSY ALUMINIUM/FINNED (WITH DROP BOX)

ITEM	PART NO	DESCRIPTION	QTY	ITEM	PART NO	DESCRIPTION	QTY
1	191821 01	GEARBOX CASING	1				
2	191829 01	INPUT SHAFT	1				
3	191825 01	SEAL HOUSING	1				
4	SEA-0550	ROTARY SHAFT SEAL	1				
5	BRG-6600	BEARING	1				
6	BRG-6601	BEARING	2				
7	CIR-3800	CIRCLIP	3				
8	CIR-2700	CIRCLIP	3				
9	191828 01	LAYSHAFT	1				
10	191823 01	BEVEL GEAR (15T)	1				
11	BRG-6800	BEARING	1				
12							
13	HSS-0194	SET SCREW	14				
14	WSH-0061	SPRING WASHER	14				
15	191826 01	REMOVABLE COVER	1				
16	191827 01	REMOVABLE COVER GASKET	1				
17	SCW-4760	WING SCREW	3				
18	WSH-1301	SHAKEPROOF WASHER	3				
19	FIT-0223	PLUG	1				
20	FIT-0218	BREATHER	1				
21							
22	191822 18	CHANGE GEAR (18T)	1				
23	191822 20	CHANGE GEAR (20T)	1				
24	191822 22	CHANGE GEAR (22T)	1				
25	191822 24	CHANGE GEAR (24T)	1				
26	191822 26	CHANGE GEAR (26T)	1				
27	191822 28	CHANGE GEAR (28T)	1				
28	191691 01	OUTPUT HOUSING	1				
29	191885 01	OUTPUT SHAFT	1				
30	191824 01	BEVEL GEAR (18T)	1				
31	BRG-6000	BEARING	1				
32	BRG-5700	BEARING	1				
33	SEA-0565	ROTARY SHAFT SEAL	1				
34	191843 01	SLOTTED NUT	1				
35	PIN-1168	SPLIT PIN	1				
36	191830	GASKET SET	1				
37	191831	GASKET SET	1				



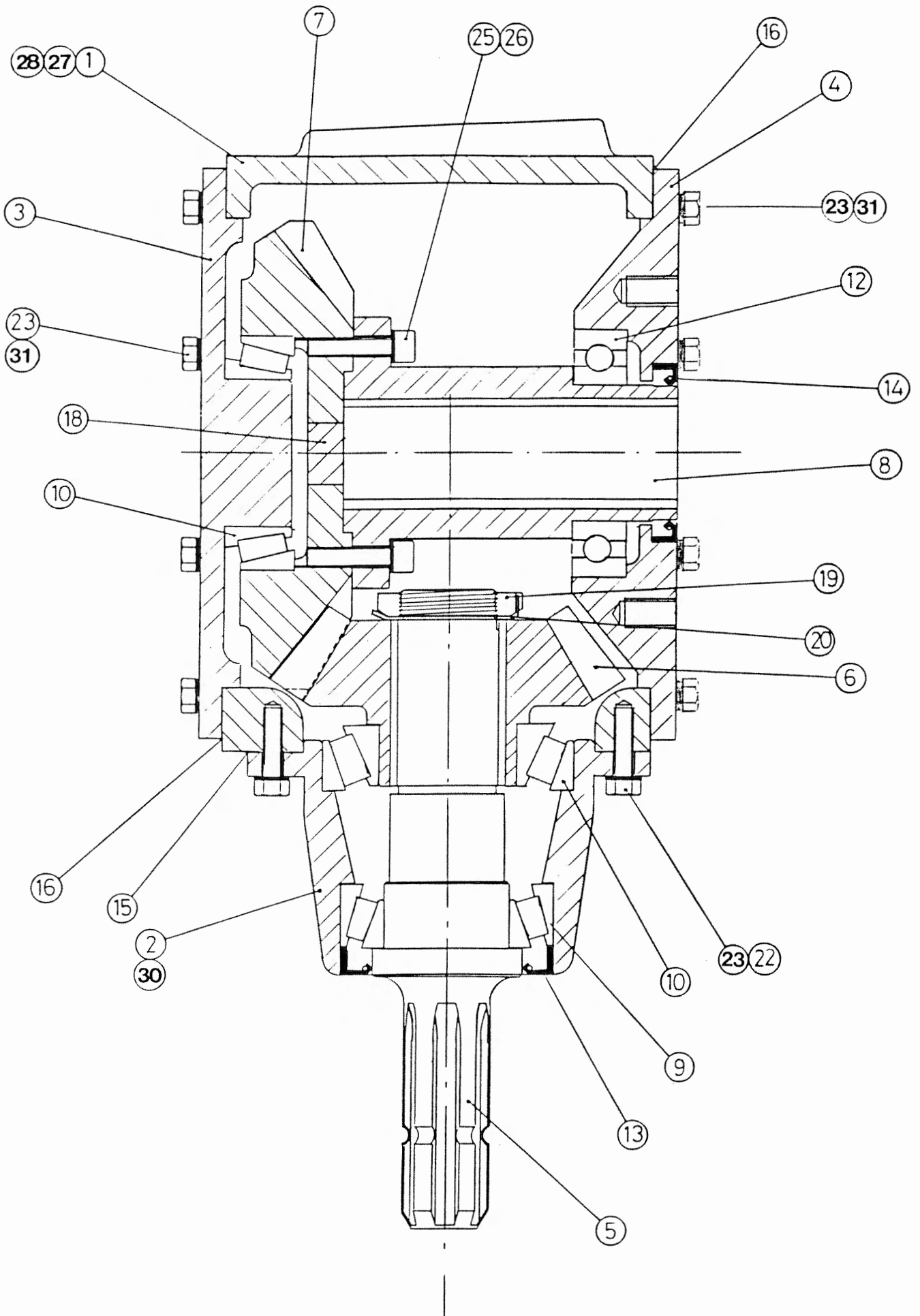
SIX SPEED GEARBOX

ASSY NUMBER:

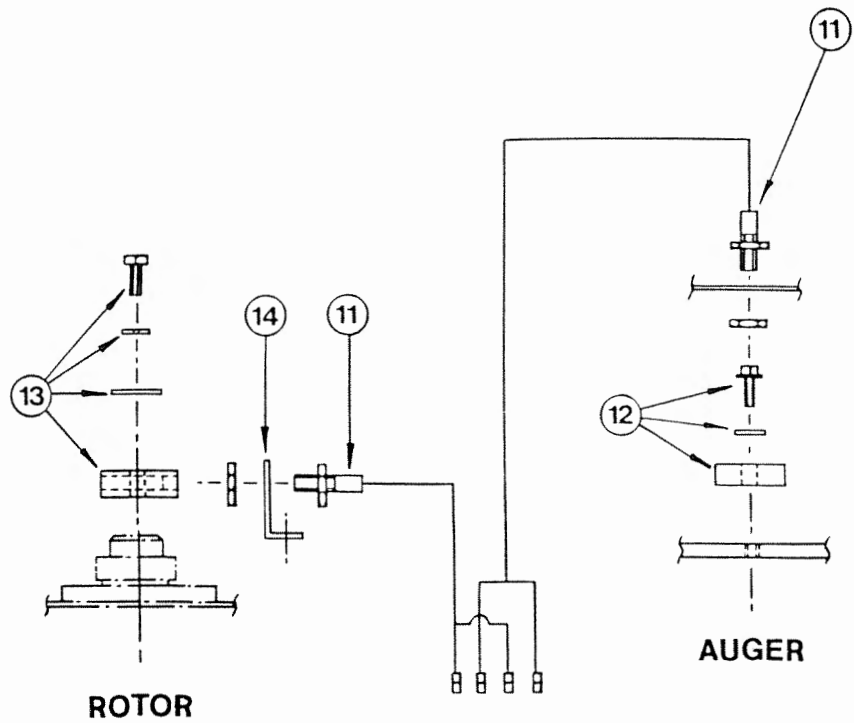
GEA-0095

ASSY DESCRIPTION: BEVEL GEARBOX (1.5:1)

ITEM	PART NO	DESCRIPTION	QTY	ITEM	PART NO	DESCRIPTION	QTY
1	191715 01	GEARBOX CASING	1				
2	191716 01	INPUT HOUSING	1				
3	191717 01	OUTSIDE END COVER	1				
4	191718 01	INSIDE END COVER	1				
5	191719 01	INPUT SHAFT (17T INVOLUTE)	1				
or	191819 01	INPUT SHAFT (28T INVOLUTE)	1				
6	191720 01	BEVEL GEAR 20T (17T INV)	1				
or	191798 01	BEVEL GEAR 20T (28T INV)	1				
7	191721 01	BEVEL GEAR 30T (26T INV)	1				
or	191799 01	BEVEL GEAR 30T (25T INV)	1				
8	191722 01	OUTPUT SHAFT (26T INVOLUTE)	1				
or	191800 01	OUTPUT SHAFT (25T INVOLUTE)	1				
9	BRG-7000	BEARING	1				
10	BRG-7020	BEARING	2				
11							
12	BRG-7040	BEARING	1				
13	SEA-0590	ROTARY SHAFT SEAL	1				
14	SEA-0600	ROTARY SHAFT SEAL	1				
15	191812	SHIM PACK (INPUT)	1				
16	191813	SHIM PACK (ENDS)	2				
17							
18	191735 01	SHAFT PLUG	1				
19	NUT-3010	LOCK RING	1				
20	WSH-6010	LOCK WASHER	1				
21							
22	WSH-1096	SHAKEPROOF WASHER	7				
23	HSS-1054	SET SCREW	23				
24							
25	SCW-0139	CAP HEAD SCREW	5				
26	WSH-0058	SPRING WASHER	5				
27	FIT-0254	BREATHER/DIP STICK	1				
28	FIT-0253	MAGNETIC DRAIN PLUG	1				
29							
30	FIT-0223	TAPER PLUG	1				
31	WSH-1145	SPRING WASHER	16				



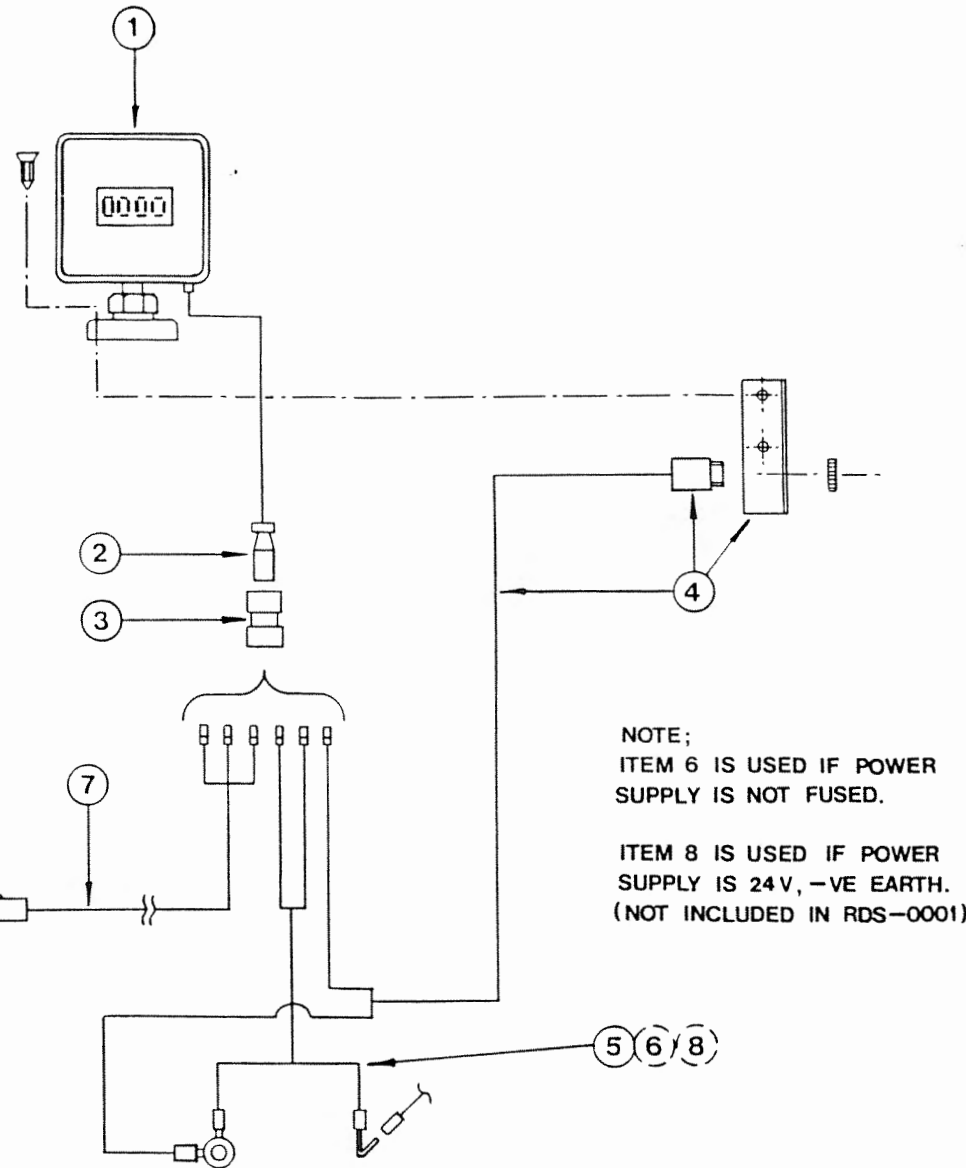
ASSY NUMBER: RDS-0001/RDS-0005				ASSY DESCRIPTION: TACHO KIT			
ITEM	PART NO	DESCRIPTION	QTY	ITEM	PART NO	DESCRIPTION	QTY
1	RDS-0010	TACHO HEAD COMPLETE	1	13	RDS-0020	MAGNET CARRIER ,	1
2	RDS-0011	TACHO HEAD PLUG & ARMS	1			SET SCREW ,	1
3	RDS-0012	HARTING CONNECTOR & STICKER	1 1			PENNY WASHER & SPRING WASHER	1 1
4	RDS-0013	AUDIBLE ALARM, FIXING BRACKET & SELF TAP. SCREWS	1 1 2	14	RDS-0021	ROTOR SENSOR BRACKET	1
5	RDS-0014	POWER CONNECTION LEAD	1				
6	FUS-0022	FUSE	1				
7	RDS-0015	COMBINE LEAD	1				
8	RDS-0016	24V-12V CONVERTER KIT (NOT INCLUDED IN RDS-0001)	1				
9							
10	RDS-0017	HEADER LEAD	1				
11	RDS-0018	SHAFT SENSOR	2				
12	RDS-0019	MAGNET , TAPTITE BOLT & FIBRE WASHER	1 1 1				



ROTOR

AUGER

HEADER KIT. PART NO. RDS-0005



NOTE;
ITEM 6 IS USED IF POWER SUPPLY IS NOT FUSED.
ITEM 8 IS USED IF POWER SUPPLY IS 24V, -VE EARTH. (NOT INCLUDED IN RDS-0001)

0v. +12 OR 24v.

COMBINE KIT. PART NO. RDS-0001

SIRE

KIT

OPTIONS



Shelbourne Reynolds Engineering Limited



ASSY NUMBER: KIT-00909

SUB ASSY DESCRIPTION: FIXED FINGER AUGER FEED ASSISTORS

ITEM	PART NO	DESCRIPTION	QTY	ITEM	PART NO	DESCRIPTION	QTY
1	191610 01	FEED FINGER	4				
2	HSS-0086	SET SCREW	8				
3	WSH-0009	WASHER	8				
4	WSH-0056	WASHER	8				



ASSY NUMBER:

KIT-00916

SUB ASSY DESCRIPTION: DIVISION PLATE ANTI-WRAP KIT

ITEM	PART NO	DESCRIPTION	QTY	ITEM	PART NO	DESCRIPTION	QTY
1	191870 01	UPPER DIVISION PLATE	1				
2	191865 01	FINGER CTR LH	8				
3	191865 02	FINGER CTR RH	8				
4	191646 05	ANTI-WEAR STRIP CTR LH	8				
5	191646 06	ANTI-WEAR STRIP CTR RH	8				



Shelbourne Reynolds Engineering Limited



ASSY NUMBER: KIT-00930

SUB ASSY DESCRIPTION: SHORT DIVIDER KIT

ITEM	PART NO	DESCRIPTION	QTY	ITEM	PART NO	DESCRIPTION	QTY
1	191935 01	SHORT DIVIDER LH	1				
2	191935 02	SHORT DIVIDER RH	1				



Shelbourne Reynolds Engineering Limited



ASSY NUMBER: KIT-00936

ASSY DESCRIPTION: SHELBORNE HEADER DUST COVER - SR5400

ITEM	PART NO	DESCRIPTION	QTY	ITEM	PART NO	DESCRIPTION	QTY
1	192103 01	COVER (SR5400)	1				
2	BJC-06000	BUNJI CORD	4.7m				
3	BJC-06000	BUNJI CORD	4.7m				
4	HOK-01010	HOOK	6				
5	POP-0006	POP RIVET	12				



Shelbourne Reynolds Engineering Limited



ASSY NUMBER:

KIT-00940

ASSY DESCRIPTION:

CONVEYOR DEFLECTOR/PROTECTOR KIT

ITEM	PART NO	DESCRIPTION	QTY	ITEM	PART NO	DESCRIPTION	QTY
1	191952 01	DEFLECTOR ASSY.	2				
2	BLT-2163	BOLT	8				
3	WSH-0012	PLAIN WASHER	16				
4	NUT-0263	NYLOC NUT	8				



Shelbourne Reynolds Engineering Limited



ASSY NUMBER:

KIT-00960

SUB ASSY DESCRIPTION: CE EXTRA PARTS (SR, RX & CX M/C' s)

ITEM	PART NO	DESCRIPTION	QTY	ITEM	PART NO	DESCRIPTION	QTY
1	HSS-0194	SETSCREW	5				
2	HSS-0084	SETSCREW	1				
3	210351 02	FIXING BRACKET	2				
4	HSS-0191	SETSCREW	2				
5	WSH-0015	PLAIN WASHER	8				
6	NUT-0265	NYLOC NUT	2				
7	NUT-0167	PLAIN NUT	4				



Shelbourne Reynolds Engineering Limited



ASSY NUMBER: KIT-01815 SUB ASSY DESCRIPTION: FLIGHTLESS CONVEYOR BELTS (5.4m)

ITEM	PART NO	DESCRIPTION	QTY	ITEM	PART NO	DESCRIPTION	QTY
1	190022 05	CONVEYOR BELT WITHOUT FLIGHTS (REPLACES ITEM 69 190022 02 FROM 196028 05)	1				
2	190022 06	CONVEYOR BELT WITHOUT FLIGHTS (REPLACES ITEM 22 190022 03 FROM 196028 05)	1				
3	191930 02	SEAL STRIP (REPLACES ITEM 6 190590 03 FROM 196031 15)	1				
4	191930 03	SEAL STRIP (REPLACES ITEM 7 190590 04 FROM 196031 15)	1				

