

# **SHELBOURNE REYNOLDS**

## **STRIPPER HEADER PARTS LIST**

**SR5400 MULTI-PLATE  
STD**



**Shelbourne Reynolds Engineering Ltd, Shepherds Grove, Stanton,  
Bury St Edmunds, Suffolk IP31 2AR  
Telephone: Stanton (0359) 50415  
Fax.No (0359) 50464**



## GRAIN STRIPPER PARTS MANUAL

Your Shelbourne Reynolds stripper header is designed to fit many different types of combine.

For this reason the machine number index is broken down into sections for identification. Your machine numbers are listed below:

STRIPPER HEADER

---

ADAPTOR PLATE

---

DRIVE KIT

---

HYDRAULIC FITTING

---

OTHER OPTIONS

---

---

---

---

This manual contains all parts common to the stripper header and is used in conjunction with the combine fittings manual, which contains the adaptor plate, and drive kit parts and fitting, and any other options available.

### Machine Identification

The stripper header machine identification number is engraved on a plate on the top right hand corner of the header.

The adaptor plate has a plate on the top right hand corner also with the adaptor plate assembly number engraved on it.

The drive kit can be identified by description, and use of the drive kit identification number marked above.

### Ordering Spare Parts

To ensure that you order the correct part from your SRE dealer please use the following procedure.

Always quote the serial number and stripper head number from the plate on the top right hand corner of the stripper head. Always quote the adaptor plate assembly number from the plate on the top right hand side of the adaptor plate.

Refer to the front of this parts list book (machine assemblies), decide if the part you want is on:

Stripper Head  
Adaptor Kit  
Drive Kit

If your part is on the Adaptor Kit, identify by matching the part number from the adaptor plate with that in the top left hand corner of the parts lists. You will find the appropriate drawing accompanying the parts list.

If the part you require is on the drive kit, ensure that you have the parts listing for the correct combine model and width. Then progress through to the next drawing following that list, for indication of that part.

If the part you require is on the stripper head assembly, identify the appropriate assembly by matching the part number from the stripper head with the page with the same number marked on the top left hand side.

Use the following sub assembly numbers and descriptions to find the area of the machine that your part is required, i.e. you need a part which is fitted to the conveyor, your part will be in the conveyor assembly parts list.

Having decided which sub-assembly your part should be under, use the number beside that sub-assembly description which will begin with 1960-- -- to find the parts listing of the sub-assembly further on in the manual. The number will be printed in the top left hand corner, the sub-assemblies are in numerical order.

Having found the correct parts list, you will find the corresponding drawing by processing through the manual to the next drawing.

The drawings indicate the components by item numbers which you will find are repeated in the left hand side of your parts listing, and therefore referring to the correct part.



Shelbourne Reynolds Engineering Limited



ASSY NUMBER: 196516 05

ASSY DESCRIPTION: MKII GRAIN STRIPPER 5.4M MULTI PLATE

ITEM	PART NO	DESCRIPTION	QTY	ITEM	PART NO	DESCRIPTION	QTY
1	196028 05	CONVEYOR ASSY	1				
2	196047 05	AUGER ASSY	1				
3	196043 01	DRIVE COMPONENTS	1				
4	196031 05	FRAME & COMPONENTS	1				
5	196032 02	ASSY COMPONENTS	1				
6	196010 04	STRIPPING ROTOR RH 2.4M	1				
7	196010 05	STRIPPING ROTOR LH 3.0M	1				
8	196027	CROP DIVIDERS	1				
9	196035 05	HYDRAULICS	1				
10	196036 02	EMBLEMS & GUARDS	1				
11	196034 01	DRIVE KIT	1				



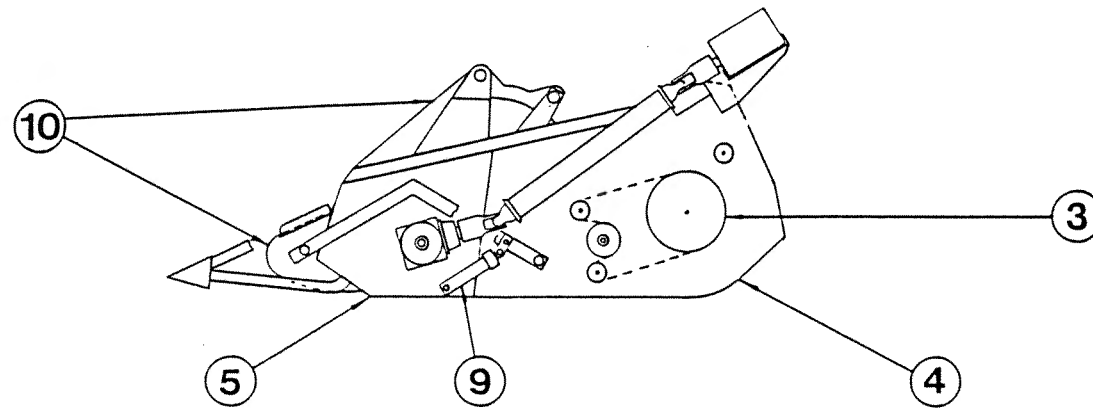
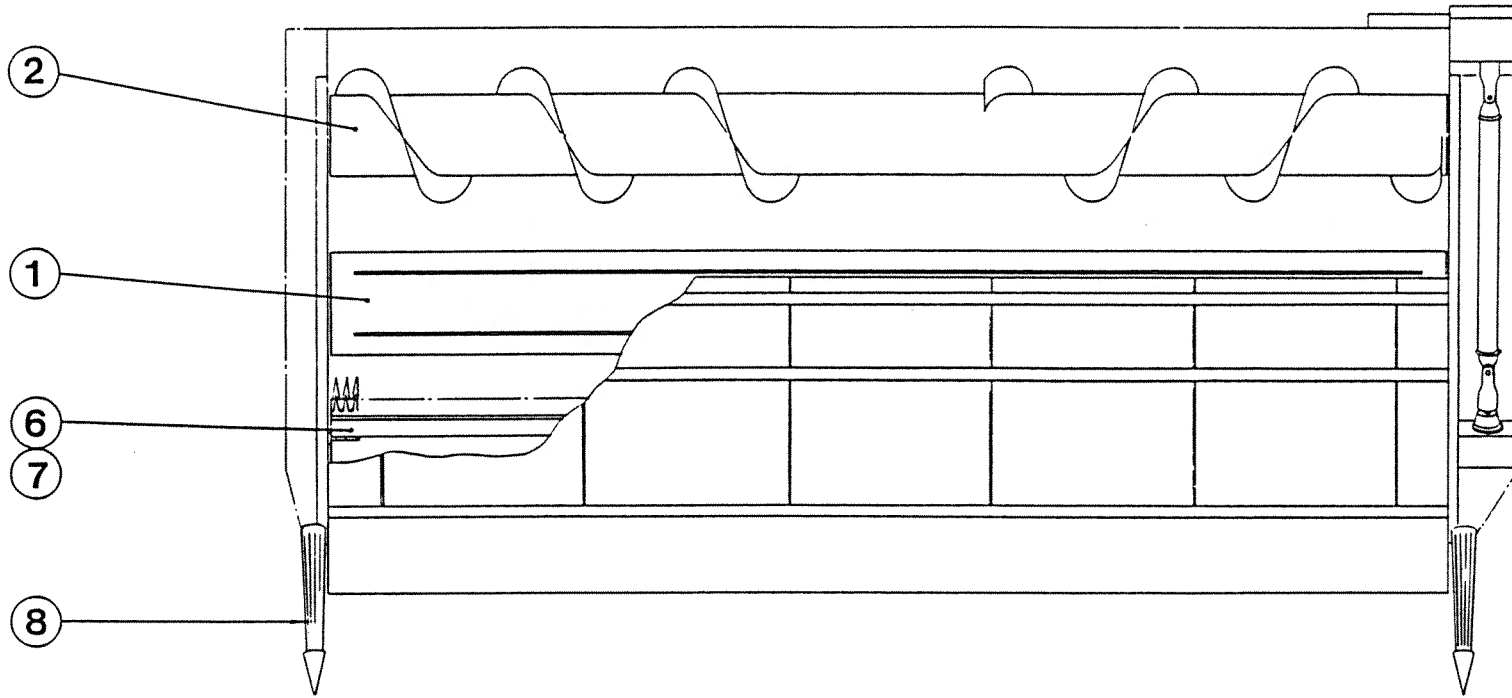
Shelbourne Reynolds Engineering Limited



ASSY NUMBER: 196515 05

ASSY DESCRIPTION: MKII GRAIN STRIPPER 5.4M MULTI PLATE

ITEM	PART NO	DESCRIPTION	QTY	ITEM	PART NO	DESCRIPTION	QTY
1	196028 05	CONVEYOR ASSY	1				
2	196029 05	AUGER ASSY	1				
3	196030 01	DRIVE COMPONENTS	1				
4	196031 05	FRAME & COMPONENTS	1				
5	196032 02	ASSY COMPONENTS	1				
6	196010 04	STRIPPING ROTOR RH 2.4M	1				
7	196010 05	STRIPPING ROTOR LH 3.0M	1				
8	196027	CROP DIVIDERS	1				
9	196035 05	HYDRAULICS	1				
10	196036 01	EMBLEMS & GUARDS	1				
11	196034 01	DRIVE KIT	1				









Shelbourne Reynolds Engineering Limited



ASSY NUMBER: 196010 05

ASSY DESCRIPTION: STRIPPING ROTOR ASSY LH 3.0M MK2

ITEM	PART NO	DESCRIPTION	QTY	ITEM	PART NO	DESCRIPTION	QTY
1	191364 01	ROTOR SECTION	8				
2	190549 01	ROTOR SECTION PL RH	4				
3	190549 02	ROTOR SECTION PL LH	2				
4	191357 01	ROTOR BLADE	24				
5	SCW-5180	SCREW	32				
6	190765 02	ROTOR SHAFT ASSY	1				
7	190008 01	ROTOR END COVER	2				
8	HSS-0147	BOLT	240				
9	191313 01	ANTI WRAP PLATE LH	8				
10	WSH-0058	SPRING WASHER	240				
11	HSS-0191	BOLT	18				
12	WSH-0015	WASHER	36				
13	NUT-0265	NYLOC NUT	18				
14	191313 02	ANTI WRAP PLATE RH	8				
15	191630 01	ANTI-WEAR STRIP	32				
16	190760 01	END BLANKING PLATE RH	1				
17	190760 02	END BLANKING PLATE LH	1				
18	HSS-0135	SCREW	160				
19	WSH-1300	WASHER	160				
20	191357 04	ROTOR BLADE	16				
21	191471 01	ANTI WRAP ADJ PLATE	16				
22	191630 02	ANTI-WEAR STRIP (RH)	8				
23	191630 03	ANTI-WEAR STRIP (LH)	8				
24	WSH-1034	WASHER	32				



## Shelbourne Reynolds Engineering Limited

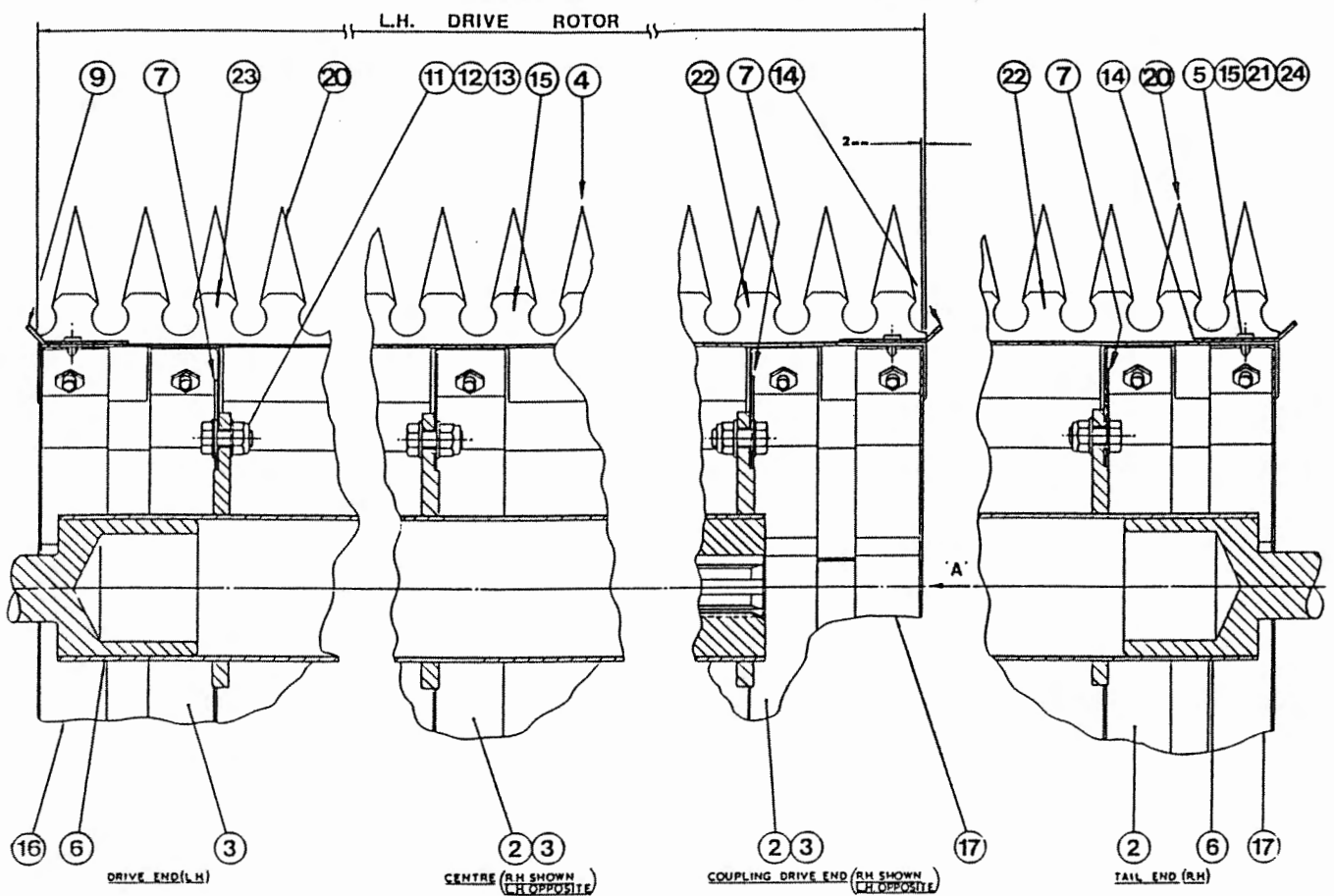


ASSY NUMBER:

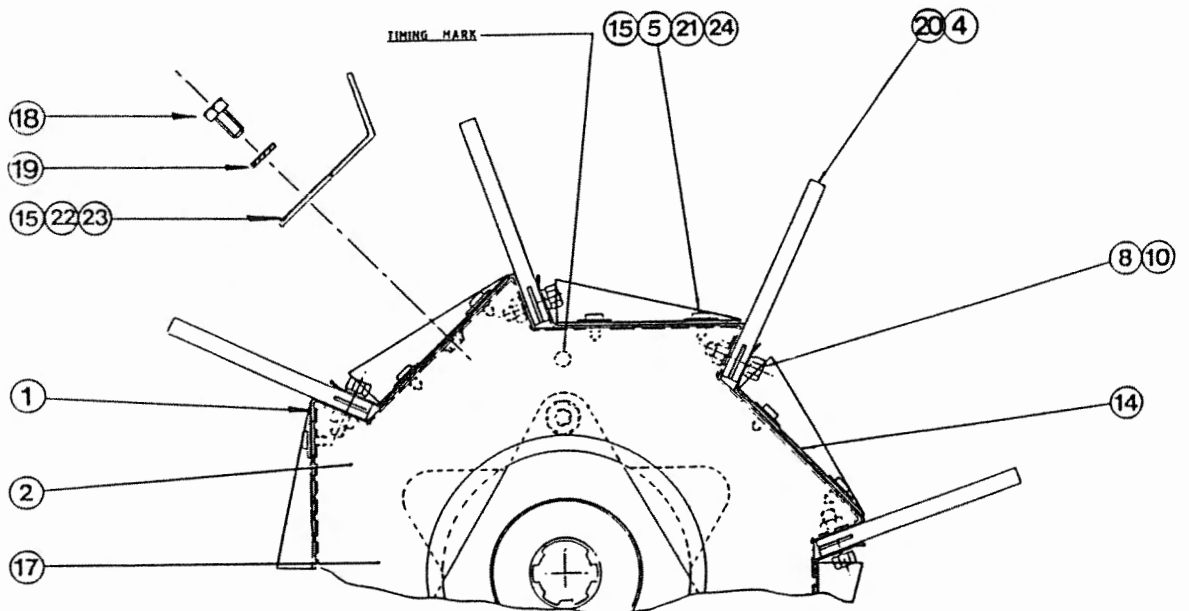
196010 04

ASSY DESCRIPTION: STRIPPING ROTOR ASSY RH 2.4M MK2

ITEM	PART NO	DESCRIPTION	QTY	ITEM	PART NO	DESCRIPTION	QTY
1	191363 03	ROTOR SECTION	8				
2	190549 01	ROTOR SECTION PL RH	3				
3	190549 02	ROTOR SECTION PL LH	2				
4	191357 01	ROTOR BLADE	16				
5	SCW-5180	SCREW	32				
6	190765 03	ROTOR SHAFT ASSY	1				
7	190008 01	ROTOR END COVER	2				
8	HSS-0147	BOLT	192				
9	191313 01	ANTI WRAP PLATE LH	8				
10	WSH-0058	SPRING WASHER	192				
11	HSS-0191	BOLT	15				
12	WSH-0015	WASHER	30				
13	NUT-0265	NYLOC NUT	15				
14	191313 02	ANTI WRAP PLATE RH	8				
15	191630 01	ANTI-WEAR STRIP	24				
16	190760 01	END BLANKING PLATE RH	1				
17	190760 02	END BLANKING PLATE LH	1				
18	HSS-0135	SCREW	128				
19	WSH-1300	WASHER	128				
20	191357 04	ROTOR BLADE	16				
21	191471 01	ANTI WRAP ADJ PLATE	16				
22	191630 02	ANTI-WEAR STRIP (RH)	8				
23	191630 03	ANTI-WEAR STRIP (LH)	8				
24	WSH-1034	WASHER	32				



STRIPPING ROTOR ASSEMBLY



VIEW ON ARROW A

**ASSEMBLY OF ROTOR**  
 ALWAYS START AT THE SPLINED END.  
 FOR L.H. ROTORS - IN SECTION PLATE R.H. ITEM 2  
 FOR R.H. ROTORS - IN SECTION PLATE L.H. ITEM 3  
 ALIGN TIMING HOLE ON SECTION PLATE WITH HOLE IN THE TRIANGULAR PLATE WHICH IS IN LINE WITH THE MASTER SPLINE.  
 FOLLOWING SECTION PLATES ARE ASSEMBLED WITH THE TIMING HOLE

STRIPPING ROTOR ASSEMBLY



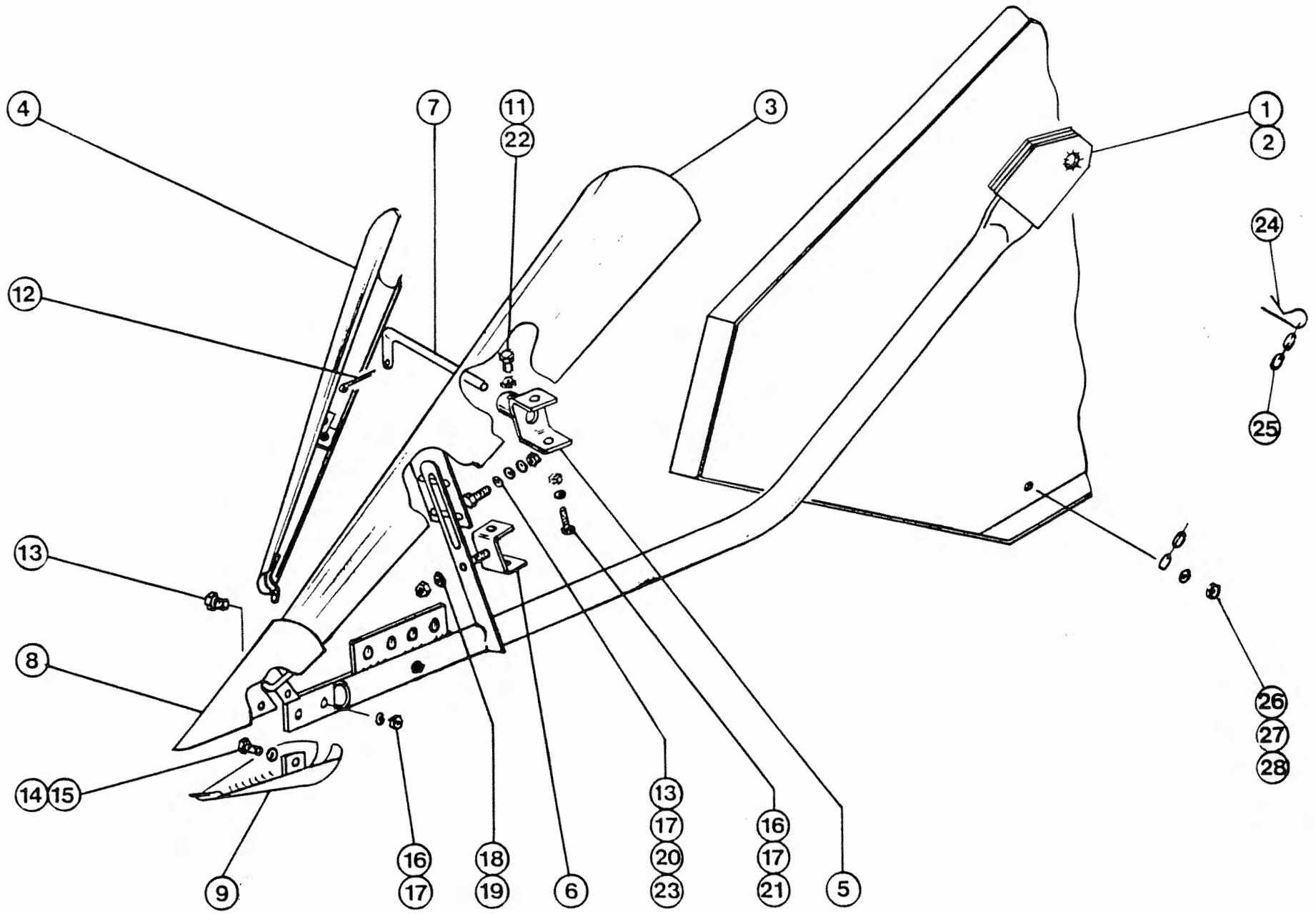
Shelbourne Reynolds Engineering Limited



ASSY NUMBER: 196027

ASSY DESCRIPTION: DIVIDER

ITEM	PART NO	DESCRIPTION	QTY	ITEM	PART NO	DESCRIPTION	QTY
1	190931 01	DIVIDER ARM LH	1				
2	190931 02	DIVIDER ARM RH	1				
3	190929	DIVIDING PLATE	2				
4	190930	INNER DEFLECTOR	2				
5	190927	BRACKET ASSEMBLY	2				
6	190928	BRACKET ASSEMBLY	2				
7	190926	ADJUSTER ROD	2				
8	DIV-0001	NOSE CONE	2				
9	DIV-0005	SHOE	2				
10							
11	HSS-0235	SCREW	2				
12	PIN-1167	SPLIT PIN	2				
13	HSS-0194	SCREW	10				
14	HSS-0160	SCREW	2				
15	WSH-0012	WASHER	2				
16	NUT-0265	NUT	8				
17	WSH-0015	WASHER	20				
18	NUT-0271	NUT	2				
19	WSH-0024	WASHER	2				
20	WSH-0061	SPRING WASHER	6				
21	HSS-0198	SCREW	4				
22	NUT-0170	NUT	2				
23	NUT-0167	NUT	6				
24	ACL-0013	R CLIP	2				
25	CHN-0145	CHAIN	2				
26							
27	WSH-0009	WASHER	4				
28	NUT-0260	NUT	2				



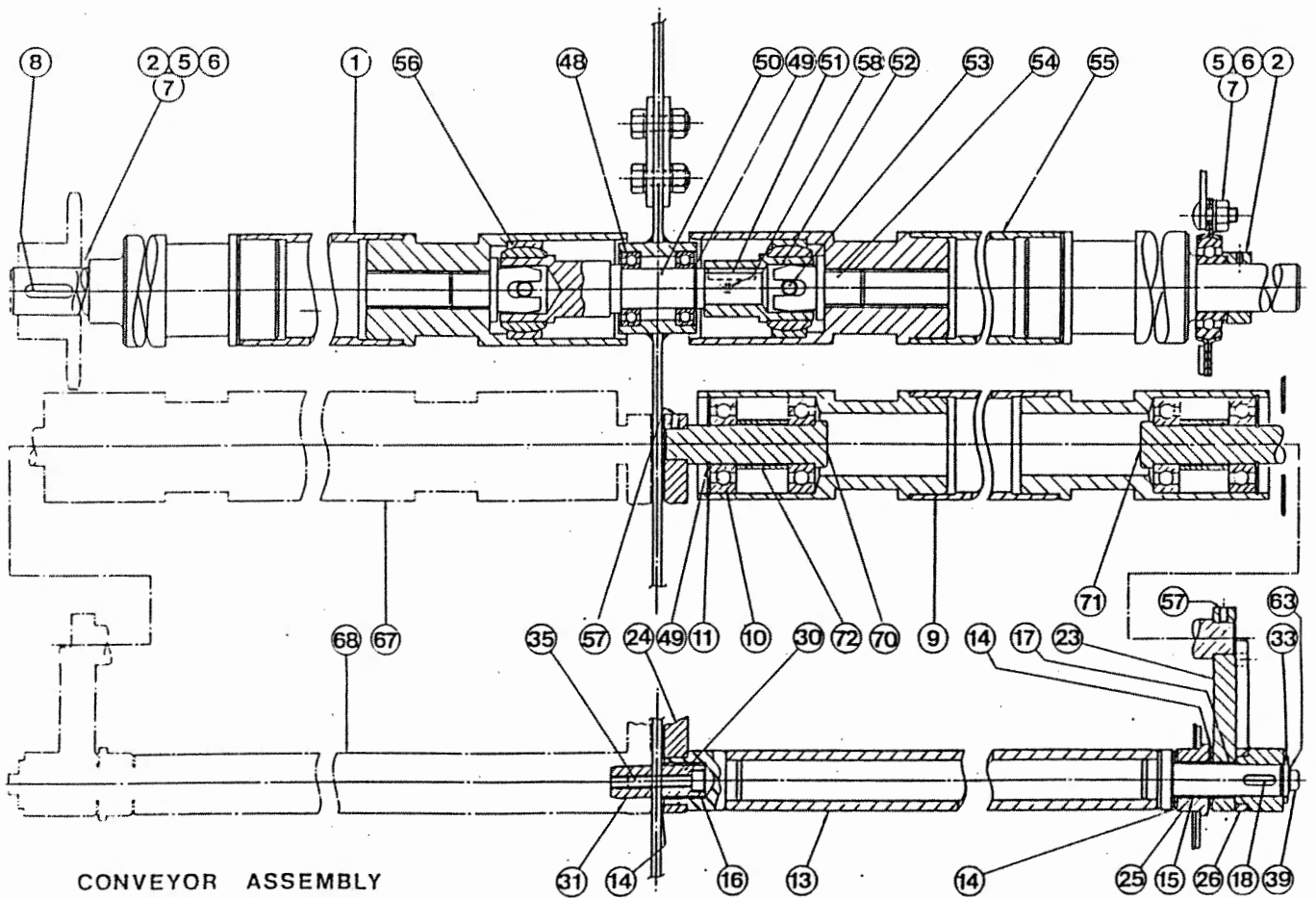
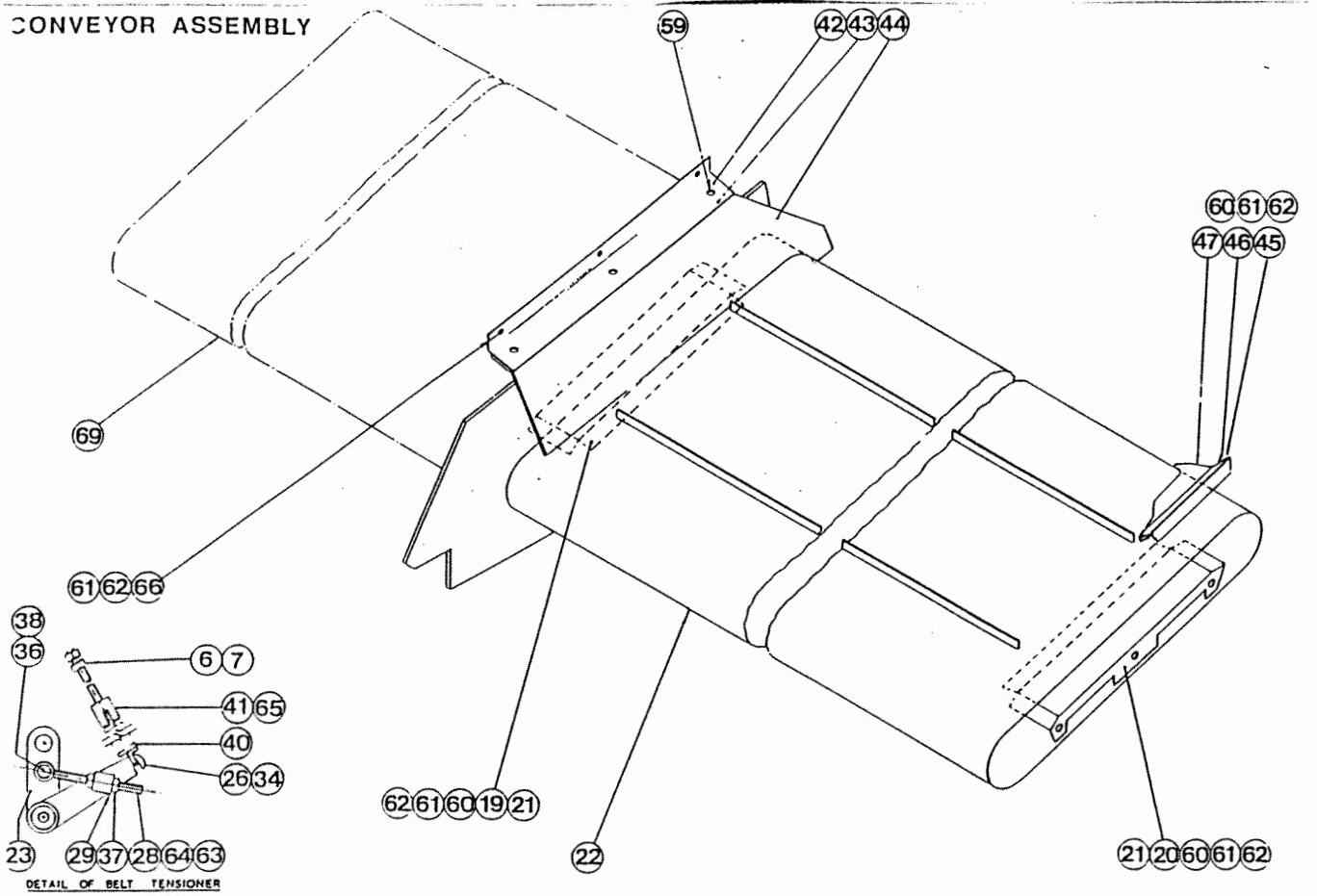
ASSY NUMBER:

196028 05

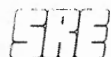
ASSY DESCRIPTION: CONVEYOR ASSY (5.4)

ITEM	PART NO	DESCRIPTION	QTY	ITEM	PART NO	DESCRIPTION	QTY
1	191004 08	DRIVE ROLLER (3.0)	1	39	HSS-0135	SCREW	2
2	BRG-2020	BEARING	2	40	SPG-0060	SPRING	2
3				41	190114 01	SPRING ADJ.	2
4				42	190175 01	SEAL SUPPORT (INNER)	2
5	SCW-0514	BOLT	6	43	190175 02	CLAMP STRIP (INNER)	2
6	NUT-0167	NUT	6	44a	190175 03	SEAL STRIP (INNER) LH	1
7	WSH-0015	WASHER	6	44b	190175 04	SEAL STRIP (INNER) RH	1
8	K0807030	KEY	1	45	190174 01	SEAL SUPPORT (OUTER)	2
9	190018 12	ROLLER (2.4)	1	46	190174 02	CLAMP STRIP (OUTER)	2
10	BRG-3358	BEARING	8	47a	190174 03	SEAL STRIP (OUTER) LH	1
11	CIR-0620	CIRCLIP	4	47b	190174 04	SEAL STRIP (OUTER) RH	1
12				48	BRG-1994	BEARING	2
13	190019 12	ROLLER ADJ SHAFT (2.4)	1	49	CIR-1125	CIRCLIP	5
14	WSH-1520	WASHER	6	50	190373 01	ROLLER DRIVE SHAFT	1
15	BRG-4575	BEARING	2	51	K0606030	KEY	1
16	BRG-4585	BEARING	2	52	190551 01	CONVEYOR ROLLER HUB	1
17	BRG-4565	BEARING	2	53	190553 01	CONVEYOR COUPLING DRIVE PIN	2
18	K0606020	KEY	2	54	190552 01	CONVEYOR ROLLER DRIVE DOG	2
19	190023 01	BELT SUPPORT	1	55	191003 06	DRIVE ROLLER (IDLE)	1
20	190023 02	BELT SUPPORT	3	56	BRG-3270	BEARING	2
21				57	SCW-4528	SCREW	4
22	190022 03	CONVEYOR BELT (3.0)	1	58	SCW-4530	GRUB SCREW	2
23	190024 01	ADJ. ARM	2	59	SCW-3696	SCREW	12
24	190731 01	ADJ. ARM	2	60	WSH-0056	SPRING	15
25	190025 01	MTG BRACKET	2	61	WSH-0009	WASHER	21
26	190730 02	TRACKING ARM LH	1	62	HSS-0088	SET SCREW	15
27	190730 01	TRACKING ARM RH	1	63	WSH-0058	SPRING WASHER	4
28	190027 06	TRACK ROD ASSY	2	64	HSS-0130	SET SCREW	2
29	190027 03	ADJ BLOCK	2	65	PIN-1928	PIN	2
30	190027 04	BRG JOURNAL	1	66	NUT-0259	NUT	3
31	190027 05	BRG JOURNAL	1	67	190018 11	ROLLER (3.0)	1
32				68	190019 13	ROLLER ADJ SHAFT (3.0)	1

CONVEYOR ASSEMBLY



CONVEYOR ASSEMBLY



Shelbourne Reynolds Engineering Limited

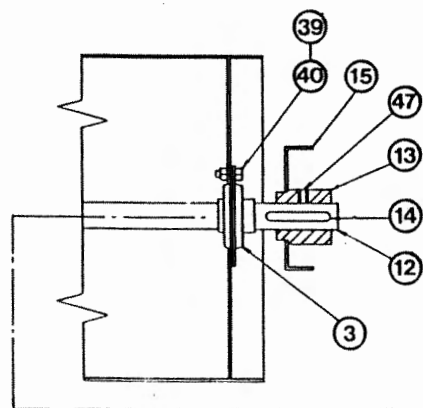
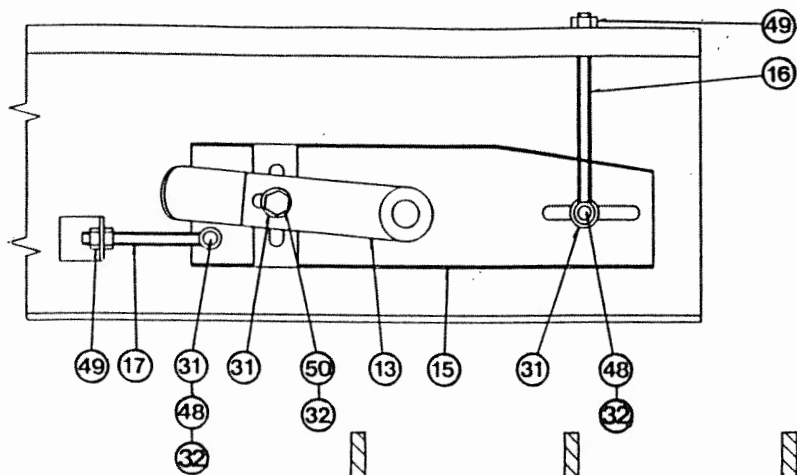


ASSY NUMBER: 196029 05

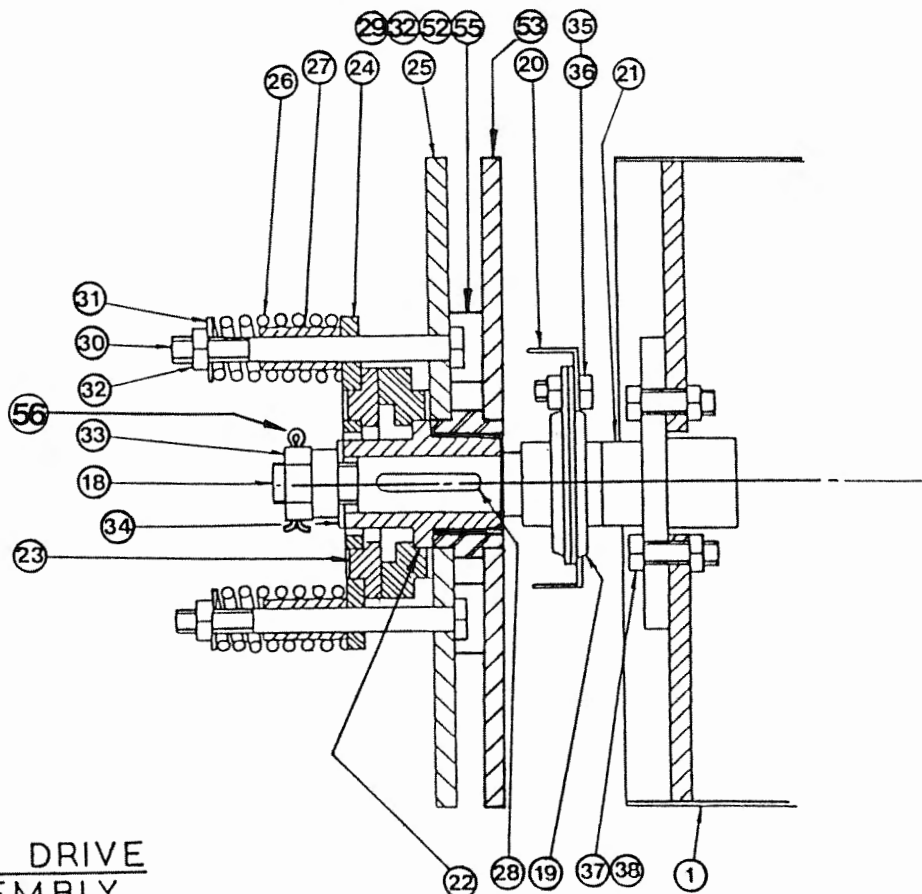
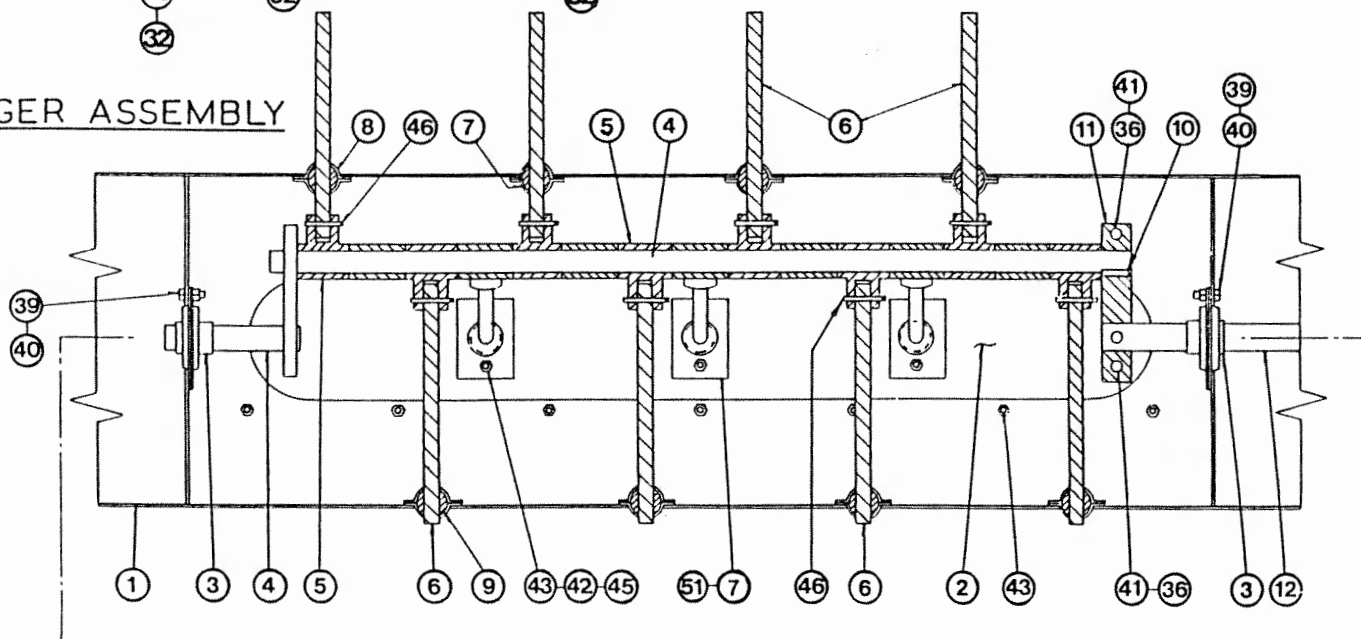
ASSY DESCRIPTION: AUGER (5.4M)

ITEM	PART NO	DESCRIPTION	QTY	ITEM	PART NO	DESCRIPTION	QTY
1	191336 01	AUGER W A	1	39	BLT-2135	BOLT	9
2	190696 01	COVER PLATE	1	40	NUT-0263	NUT	6
3	BRG-4160	BEARING	3	41	BLT-2197	BOLT	3
4	190546 01	AUGER CRANK	1	42	SCW-4960	SCREW	44
5	132010 01	BUSH FOR FINGER	15	43	190735 01	BLANKING PLATE	1
6	190547 01	FINGER	14	44	NUT-0260	NYLOC NUT	30
7	132011	FINGER PLATE CONCAVE	14	45	WSH-0056	WASHER	14
8	132012	FINGER PLATE CONVEX	14	46	PIN-1167	PIN	14
9	132013	FINGER GUIDE	14	47	SCW-4530	SCREW	2
10	131095 03	KEY	1	48	BLT-3812	BOLT	4
11	190545 01	AUGER CLAMP	1	49	BUT-0170	NUT	8
12	191335 01	AUGER SHAFT	1	50	BLT-2240	BOLT	1
13	190208	FINGER ADJUSTER	1	51	190728 01	FINGER SHIM	14
14	K0807060	KEY	1	52	SCW-1975	SCREW )	4
15	191005 02	AUGER ADJUSTER RH	1	53	131024 05	SPROCKET	1
16	190585 06	VERTICAL ADJUSTER	2	54	WSH-0009	WASHER	14
17	190585 04	HORIZONTAL ADJUSTER	2	55	WSH-0018	WASHER	6
18	132018 02	AUGER DRIVE SHAFT	1	56	PIN-1150	SPLIT PIN	1
19	BRG-0240	BEARING	1				
20	191005 01	AUGER ADJUSTER LH	1				
21	132022 01	SPACER	1				
22	131025	HUB	1				
23	131005	CLUTCH PLATE	2				
24	131055 01	DRIVE PLATE	1				
25	131024 01	SPROCKET	1				
26	131063	SPRING	4				
27	131073 01	SPACER	4				
28	K0807050	KEY	1				
29	191006 01	SPACER	4				
30	BLT-2273	BOLT	4				
31	124048 01	WASHER	4				
32	NUT-0269	NYLOC NUT	13				
33	NUT-0580	NUT	1				
34	WSH-0030	WASHER	1				
35	HSS-0191	SETSCREW	3				
36	NUT-0265	NYLOC NUT	6				
37	BLT-2243	BOLT	4				
38	WSH-0065	WASHER	4				





AUGER ASSEMBLY



AUGER DRIVE ASSEMBLY



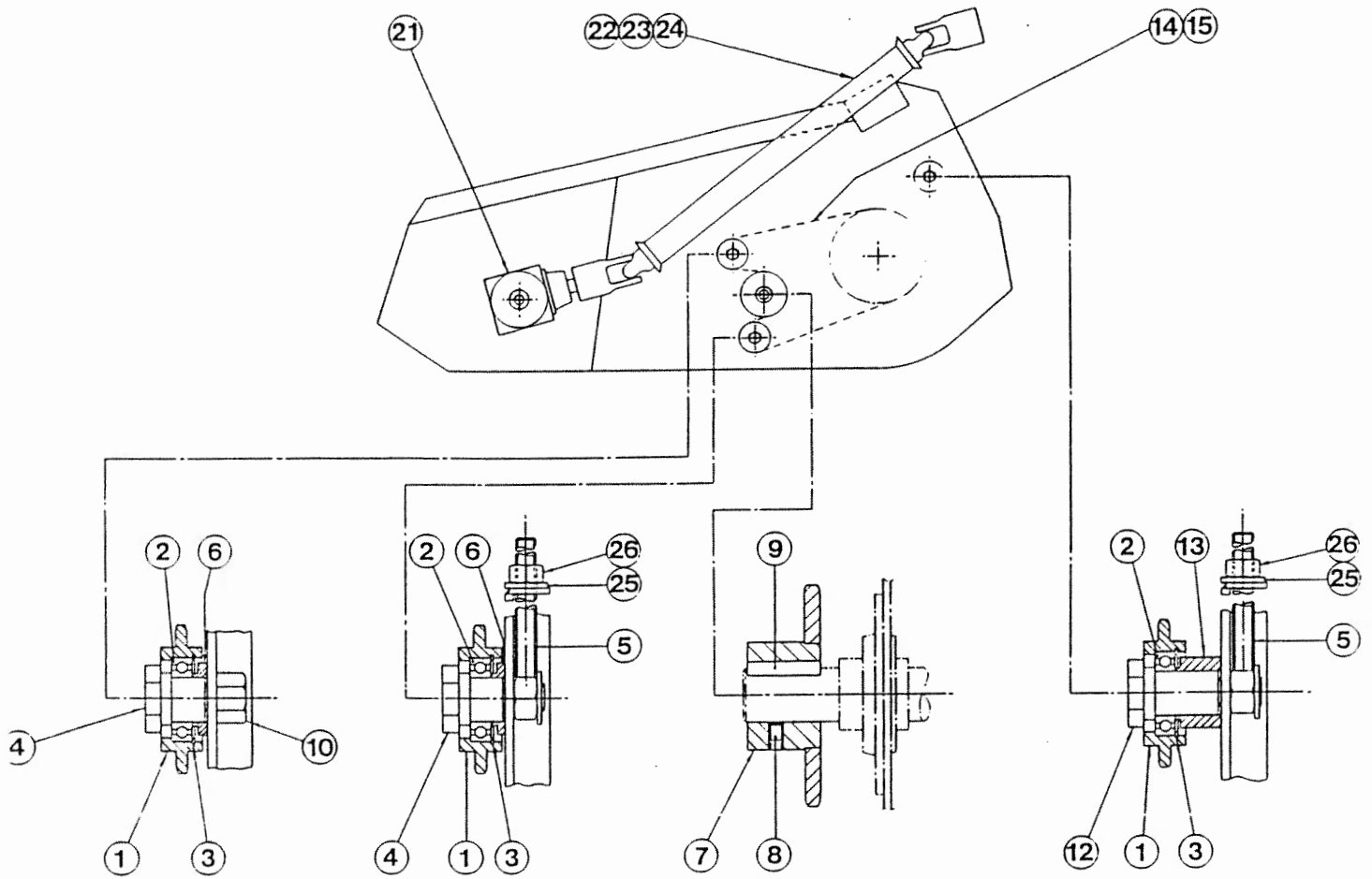
Shelbourne Reynolds Engineering Limited



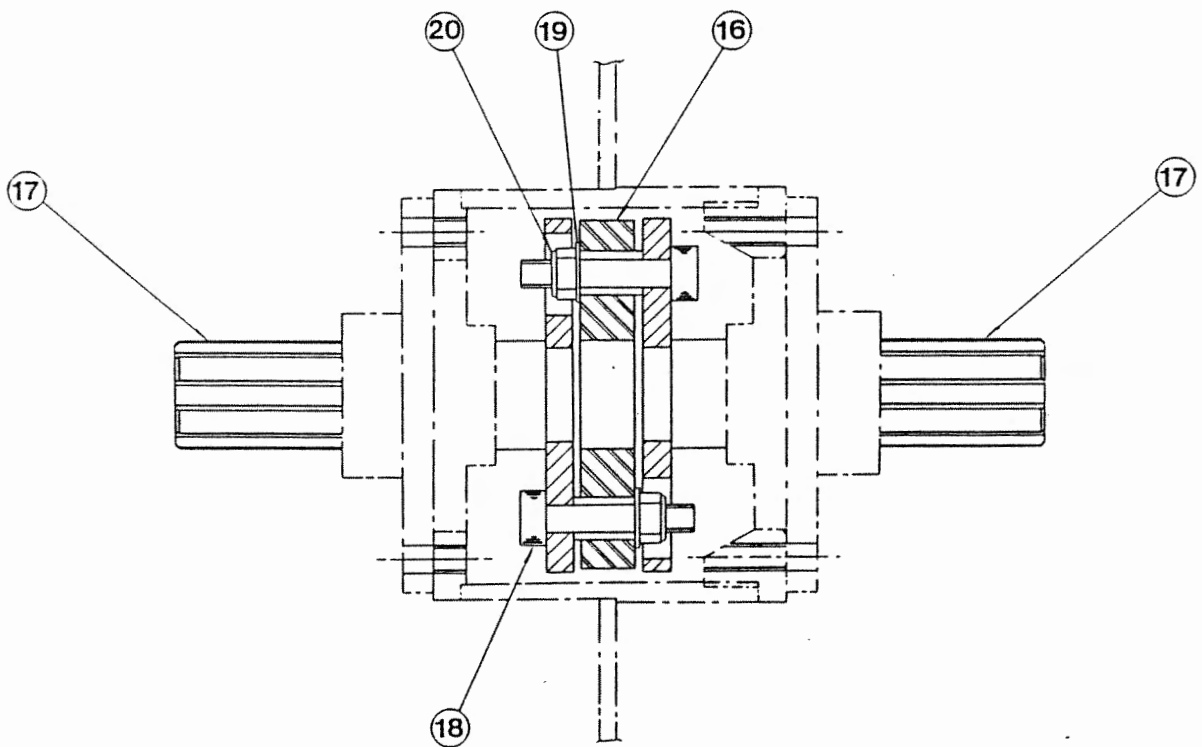
ASSY NUMBER: 196030 01

ASSY DESCRIPTION: DRIVE COMPONENTS C. T. MKII MULTI PLATE

ITEM	PART NO	DESCRIPTION	QTY	ITEM	PART NO	DESCRIPTION	QTY
1	131014 01	SPROCKET IDLER	3	27	GEA-0080	SIX SPEED GEARBOX ASSY	1
2	BRG-1995	BEARING	3			(SEE PARTS LIST GEA-0080)	
3	CIR-0470	CIRCLIP	3				
4	190060 06	CONVEYOR IDLER SPINDLE	2				
5	191039 01	IDLER ADJ SCREW	2				
6	191040 01	CONVEYOR IDLER SPACER	2				
7	190057 01	CONVEYOR SPROCKET	1				
8	SCW-4535	SCREW	2				
9	K1008150	KEY	1				
10	NUT-0271	NUT	1				
11							
12	190060 07	AUGER IDLER SPINDLE	1				
13	191040 02	AUGER SPACER	1				
14	CHN-0020	CHAIN	1				
15	CHN-0111	JOINER	1				
16	COU-0180	FLEXIBLE COUPLING	1				
17	190761 01	HUB AND SHAFT	2				
18	SCW-0201	SCREW	6				
19	WSH-0015	WASHER	6				
20	NUT-0265	LOCKNUT	6				
21	GEA-0090	BEVEL GEARBOX (SEE PARTS LIST GEA-0090)	1				
22	PTO-09001	POWER SHAFT - 3.6M W2400 SERIES, CC630, OVERUN CLUTCH & 800NM TORQUE LIMITER, TUBE 1B2a NO GUARDS	1				
23	PTO-09002	POWER SHAFT - 4.2M, 4.8M 5.4M & 6.0M (W2400 SERIES CC630, OVERUN CLUTCH & SHEAR BOLT CLUTCH, TUBE 1B2a NO GUARDS)	1				
23A	191392 01	SHEAR BOLT 4.2 & 4.8M 1000NM	1				
23B	BLT-2115	SHEAR BOLT 5.4 & 6.0M 1200NM	1				
23C	NUT-0162	NUT	1				
24							
25	WSH-0018	WASHER	2				
26	NUT-0170	NUT	2				



DRIVE COMPONENTS



DRIVE COMPONENTS

NOTE - TORQUE ITEMS 24 & 26 TO 37 N/M



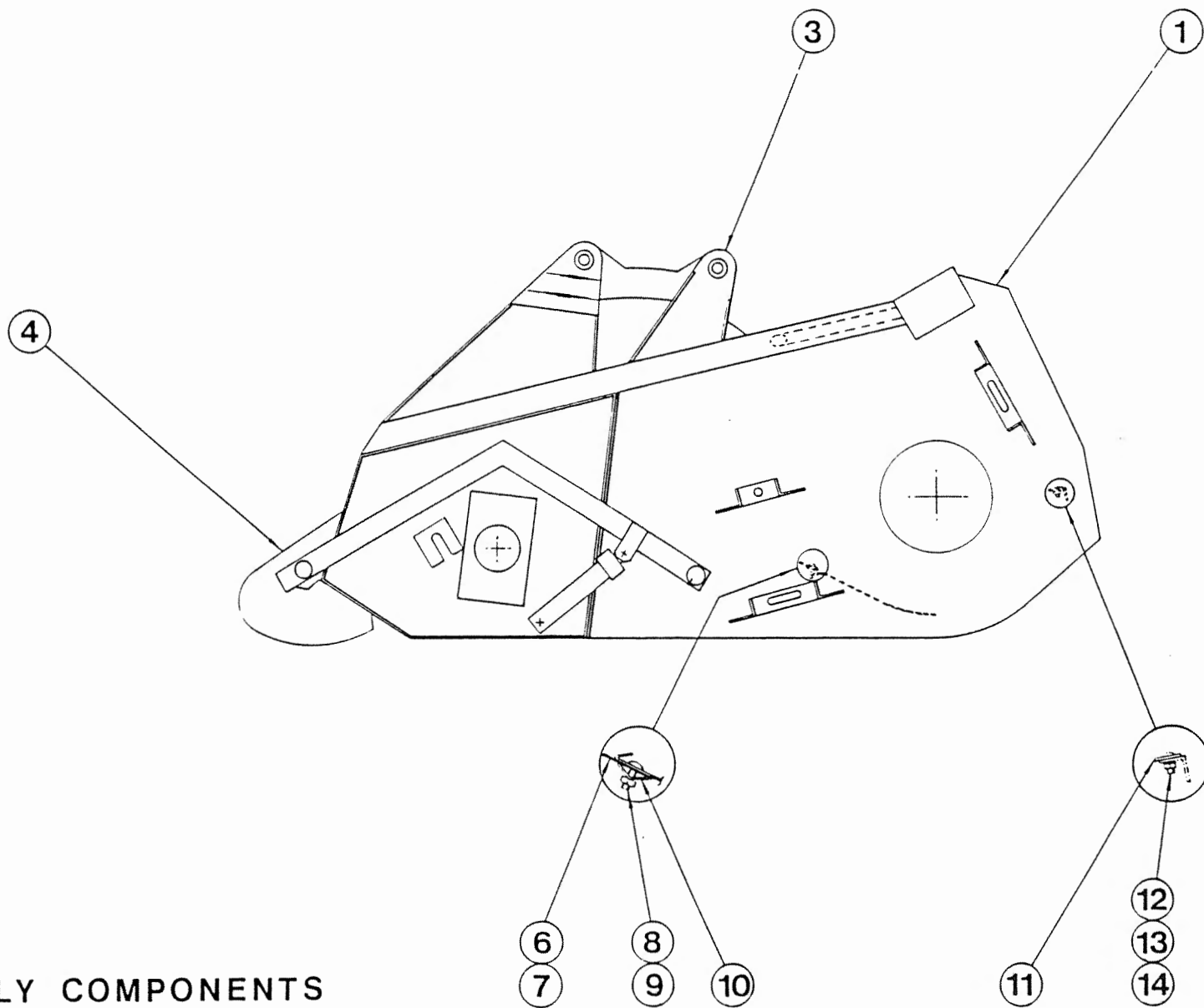
Shelbourne Reynolds Engineering Limited



ASSY NUMBER: 196031 05

ASSY DESCRIPTION: MKII 5.4M ASSY COMPONENTS

ITEM	PART NO	DESCRIPTION	QTY	ITEM	PART NO	DESCRIPTION	QTY
1	191058	FRAME ASSY	1				
2	191334	FRAME ASSY					
3	191338 01	COWL ASSY	1				
4	191337 01	ADJUSTER CROP DEFLECTOR	1				
5							
6	190590 03	RUBBER SEAL	1				
7	190590 04	RUBBER SEAL	1				
8	NUT-0260	NUT	36				
9	SCW-3696	SCREW	36				
10	190590 01	CLAMP STRIP	9				
11	191034 11	STRIPPER PLATE	2				
12	BLT-4710	BOLT	22				
13	NUT-0263	NUT	22				
14	WSH-0012	WASHER	22				



ASSEMBLY COMPONENTS



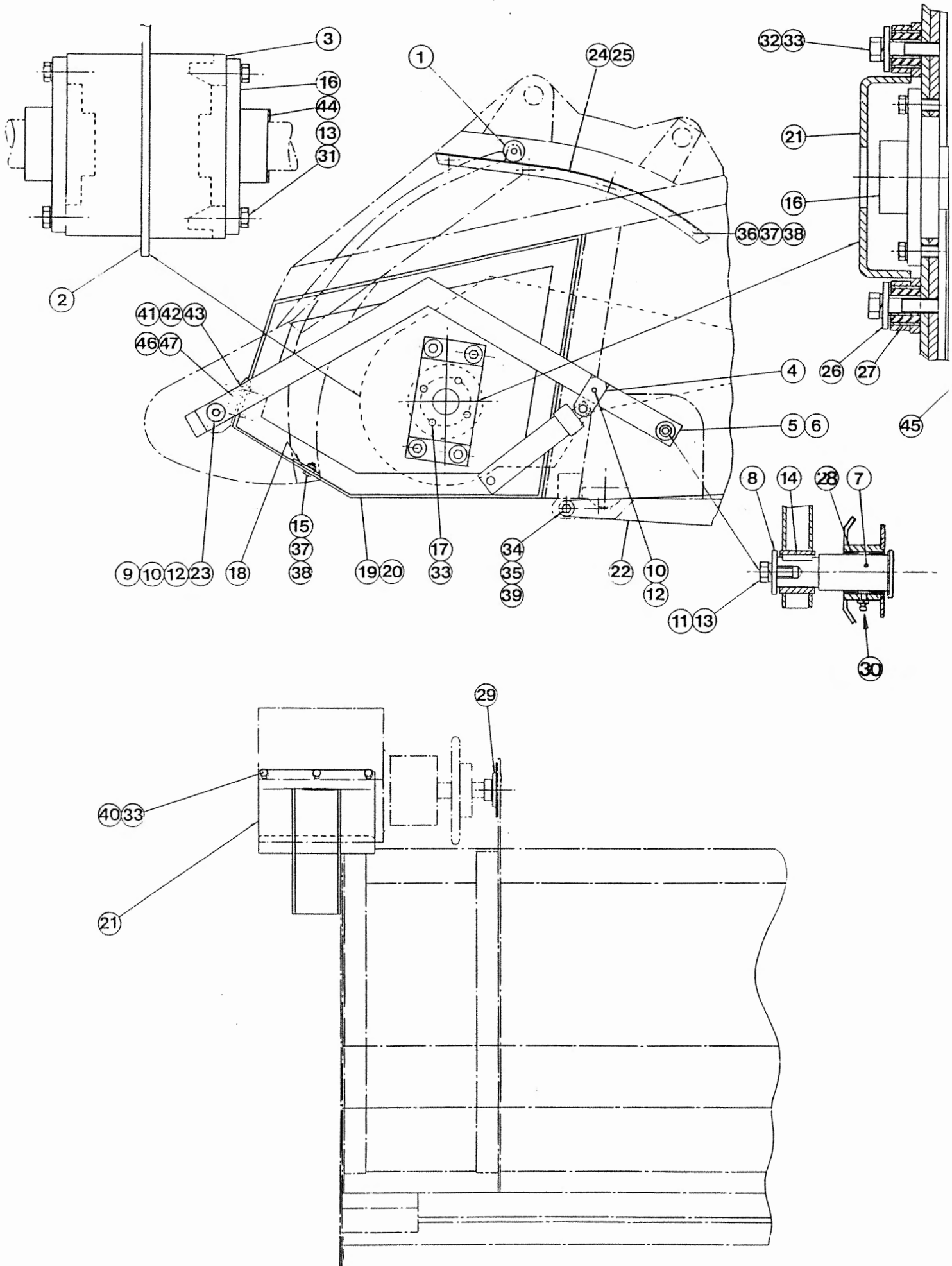
Shelbourne Reynolds Engineering Limited



ASSY NUMBER: 196032 02

ASSY DESCRIPTION: ASSY PARTS MKII CT MULTI PLATE 5.4M & 6.0M

ITEM	PART NO	DESCRIPTION	QTY	ITEM	PART NO	DESCRIPTION	QTY
1	191611	BEARING ASSY	2	39	WSH-0070	WASHER	16
2	190468 01	UPPER DIVISION PLATE	1	40	HSS-0238	SCREW	6
3	190472 01	ROTOR FLANGE PLATE	1	41	HSS-0194	SCREW	7
4	190050	HYD RAM TOP PIN & BRKT	2	42	WSH-1515	WASHER	14
5	190790 01	LEVER ARM ASSY RH	1	43	NUT-0265	NUT	7
6	190790 02	LEVER ARM ASSY LH	1	44	190845	ROTOR SPACER	2
7	191262 01	PIVOT PIN	2	45	190896	ROTOR SPACER	2
8	190052 01	RETAINING WASHER	2	46	190917 01	ADJ COWL STOP LH	1
9	BSH-3030	BEARING	2	47	190917 02	ADJ COWL STOP RH	1
10	HSS-0140	SET SCREW	4	48	191324 01	CLAMP STRIP	2
11	HSS-0188	SET SCREW	2	49	191325 01	RUBBER SEAL	2
12	WSH-0058	WASHER	4	50	POP-0006	POP RIVET	12
13	WSH-0061	WASHER	18	51	191592 01	WEAR PLATE	4
14	K0807025	KEY	2	52	SCW-1955	SCREW	8
15	HSS-0145	SCREW	2	53	NUT-0269	NUT	8
16	BRG-0250	BEARING	4	54	WSH-0018	WASHER	8
17	HSS-0232	SCREW	4	55	SCW-4530	GRUBSCREW	1
18	190478 01	DIVIDER HEIGHT ADJUSTER	2				
19	190803 13	SIDE FRAME RH	1				
20	190803 14	SIDE FRAME LH	1				
21	191086 01	GEARBOX BRACKET	1				
22	190332 01	SKID ASSY	4				
23	190119 05	WASHER	2				
24	190449 01	RUNNER ASSY RH	1				
25	190499 02	RUNNER ASSY LH	1				
26	190119 04	GEARBOX MTG WASHER	4				
27	BSH-1530	BUSH	4				
28	BSH-3070	BUSH	4				
29	BRG-2020	BEARING	1				
30	NIP-0051	NIPPLE	2				
31	HSS-0191	SCREW	16				
32	BLT-2247	BOLT	4				
33	WSH-0065	WASHER	14				
34	HSS-0315	BOLT	16				
35	WSH-0024	WASHER	16				
36	HSS-0140	SCREW	8				
37	NUT-0260	NUT	10				
38	WSH-0012	WASHER	12				



ASSEMBLY PARTS

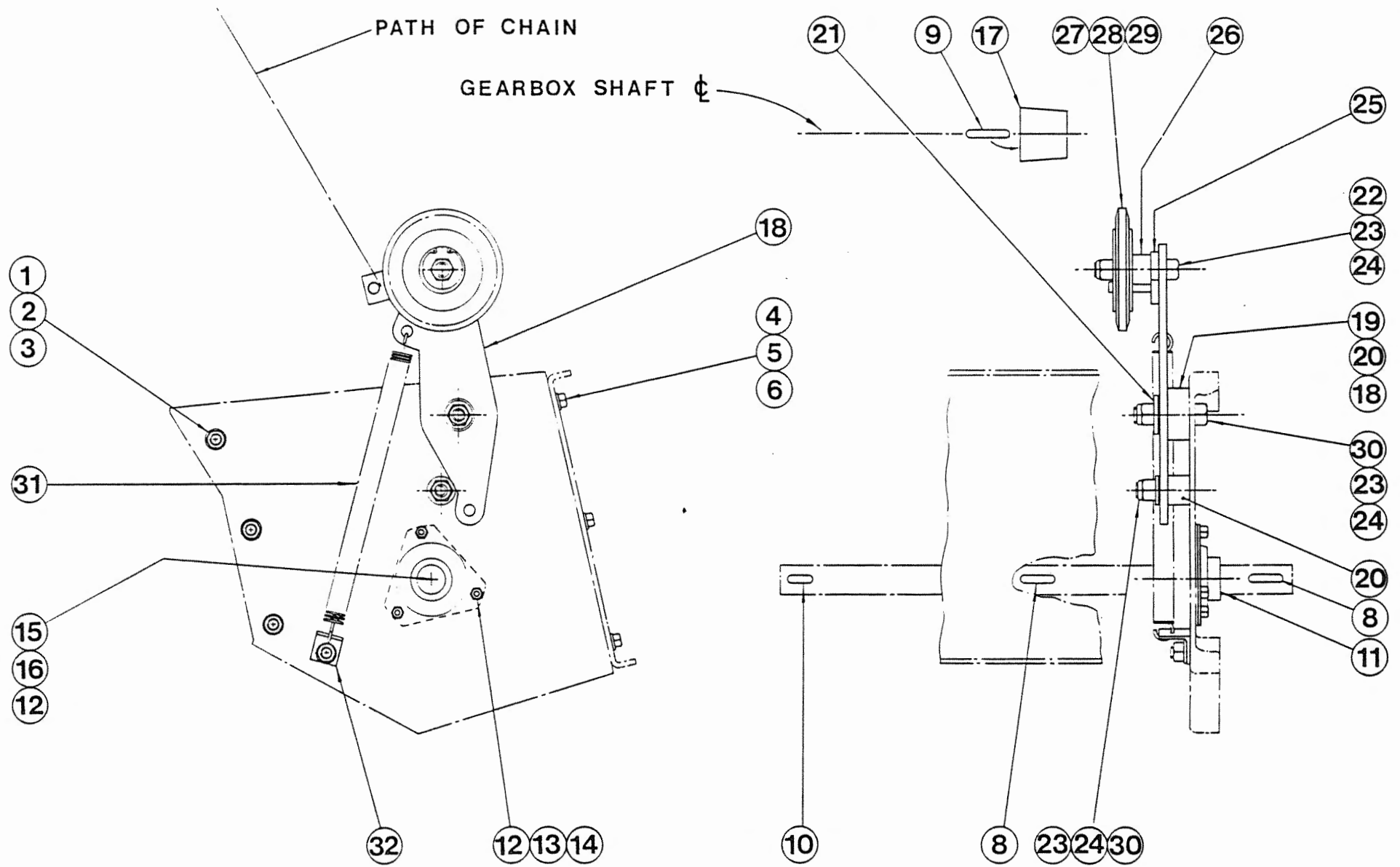


ASSY NUMBER: 196034 01

ASSY DESCRIPTION: DRIVE KIT (UNIVERSAL)

ITEM	PART NO	DESCRIPTION	QTY	ITEM	PART NO	DESCRIPTION	QTY
1	HSS-0238	BOLT	6				
2	NUT-0170	NUT	6				
3	WSH-0065	WASHER	6				
4	HSS-0140	BOLT	6				
5	NUT-0164	NUT	6				
6	WSH-0058	WASHER	6				
7							
8	K1008050	KEY	2				
9	K1008045	KEY	1				
10	K1008025	KEY	1				
11	BRG-3220	BEARING	2				
12	HSS-0191	BOLT	7				
13	NUT-0265	NUT	6				
14	WSH-0015	FLAT WASHER	6				
15	190548 01	RETAINING WASHER	1				
16	WSH-0061	WASHER	1				
17	BSH-2268	TAPER LOCK BUSH	2				
18	191112 01	IDLER SUPPORT	1				
19	BSH-3030	BUSH	1				
20	191106 01	BUSH	2				
21	190119 07	RETAINING WASHER	1				
22	BLT-2316	BOLT	1				
23	WSH-0024	WASHER	3				
24	NUT-0271	NUT	3				
25	191111 01	CHAIN KEEP	1				
26	191113 01	IDLER SPACER	1				
27	191117 01	IDLER SPROCKET	1				
28	BRG-1995	BEARING	1				
29	CIR-0470	CIRCLIP	1				
30	BLT-2312	BOLT	2				
31	SPG-0050	SPRING	1				
32	191122 01	SPRING TENSIONING BRKT	1				





DRIVE KIT (UNIVERSAL)



Shelbourne Reynolds Engineering Limited



ASSY NUMBER: 196035 05

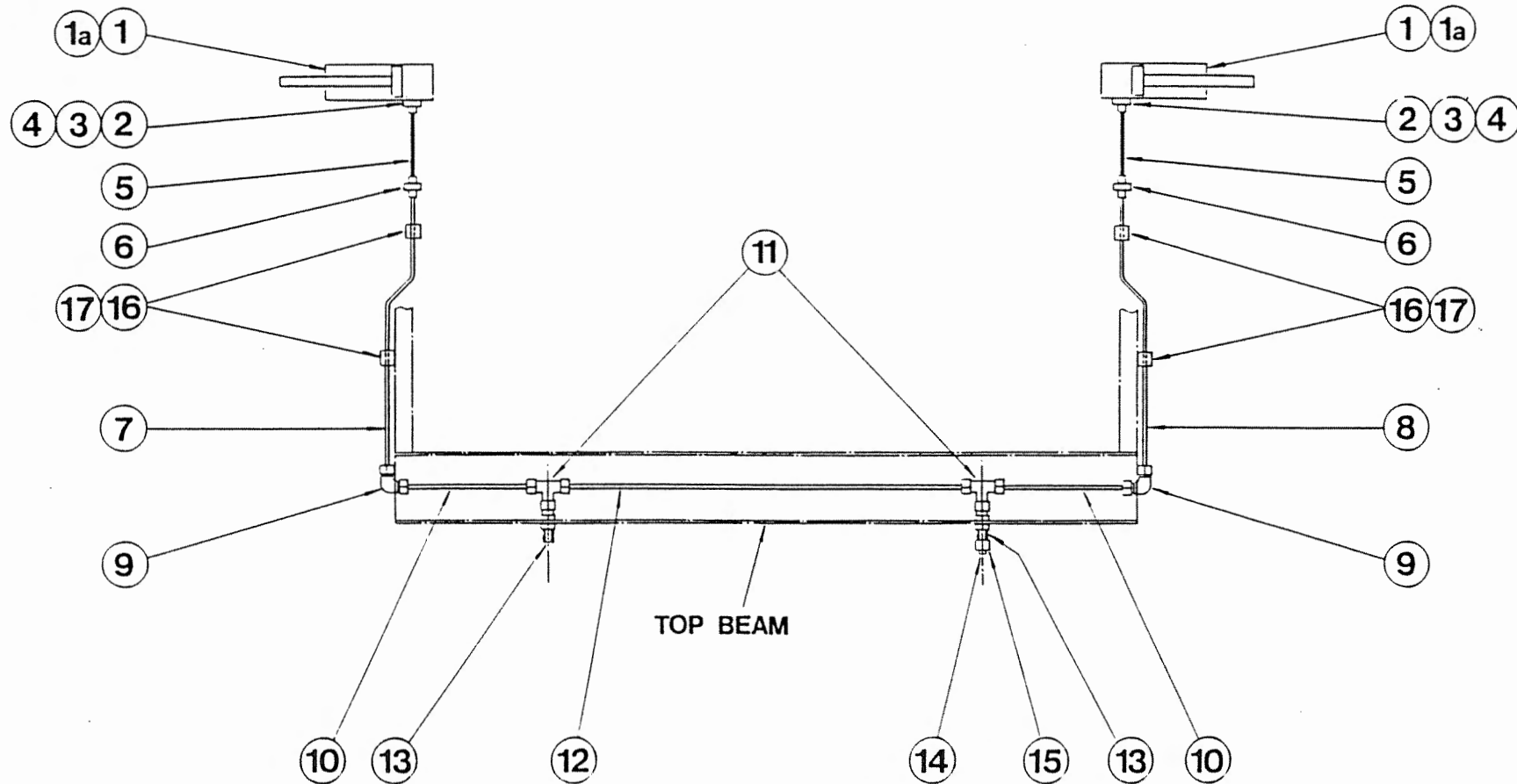
ASSY DESCRIPTION: HYDRAULICS (5.4M)

ITEM	PART NO	DESCRIPTION	QTY	ITEM	PART NO	DESCRIPTION	QTY
1	190030 01	HYDRAULIC RAM	2				
1A	SEA-0280	SEAL KIT					
2	190859 01	HYDRAULIC FITTING	2				
3	190859 02	RESTRICTOR	2				
4	WSH-1010	DOWTY WASHER	2				
5	2528 135	HOSE	2				
6	FIT-0047	HYDRAULIC FITTING	2				
7	191173 01	STEEL PIPE LH	1				
8	191173 02	STEEL PIPE RH	1				
9	FIT-0214	HYD FITTING	2				
10	RP-101510	STEEL PIPE	2				
11	FIT-0212	HYD FITTING	2				
12	RP-102439	STEEL PIPE	1				
13	FIT-0213	HYD FITTING	2				
14	FIT-0215	HYD PLUG FITTING	1				
15	FIT-0051	NUT	1				
16	FIT-1000	PETA CLAMPS	4				
17	SCW-0086	SCREW	8				

L.H.

== RIGID STEEL PIPE.  
— FLEXIBLE HOSE.

R.H.



**NOTE;**  
**SEE RELEVANT ADAPTOR PLATE ASS'Y FOR THE TYPE OF QUICK**  
**RELEASE FITTING TO CONNECT WITH ITEM 13.**

HYDRAULICS.





Shelbourne Reynolds Engineering Limited



ASSY NUMBER:

196036 02

ASSY DESCRIPTION:

EMBLEMS & GUARDS WITH WEAR STRIPS

ITEM	PART NO	DESCRIPTION	QTY	ITEM	PART NO	DESCRIPTION	QTY
1	190848 01	EMBLEM	1	34	HSS-0084	SCREW	3
2	190848 02	EMBLEM	1	35	NUT-0260	NUT	2
3	127075 10	EMBLEM	1	36	WSH-0009	WASHER	8
4	127075 12	EMBLEM	6	37	PIN-1088	SPLIT PIN	1
5	190848 03	EMBLEM	1	38	RUB-0151	RUBBER TOGGLE (LARGE)	2
6	190702 01	EMBLEM	1	39	RUB-0154	HINGE PIN (LARGE)	2
7	190702 03	EMBLEM	2	40	RUB-0161	RUBBER TOGGLE (SMALL)	2
8	190702 02	EMBLEM	4	41	RUB-0164	HINGE PIN (SMALL)	2
9	190702 04	EMBLEM	4	42	SCW-4700	SCREW	1
10	190848 06	EMBLEM	1	43	HSS-0086	SCREW	2
11	190848 04	SRE EMBLEM	1	44	WSH-0056	WASHER	4
12a	190847 01	EMBLEM (3.0M)	1	45	WSH-0058	WASHER	3
12b	190847 02	EMBLEM (3.6M)	1	46	191605 01	GUARD WEAR STRIP LH	1
12c	190847 03	EMBLEM (4.2M)	1	47	191606 01	GUARD WEAR STRIP LH	1
12d	190847 04	EMBLEM (4.8M)	1	48	191607 01	GUARD WEAR STRIP LH	1
12e	190847 05	EMBLEM (6.0M)	1	49	191608 01	GUARD WEAR STRIP LH	1
12f	190847 06	EMBLEM (5.4M)	1	50	191612 01	GUARD WEAR STRIP RH	1
13	190849 01	EMBLEM (WARNING)	1	51	191613 01	GUARD WEAR STRIP RH	1
14	190848 05	EMBLEM (CAB)	1	52	POP-0006	POP RIVET	48
15							
16							
17	191359 01	IDENTIFICATION PLATE	1				
18	POP-0006	RIVET	4				
19							
20	191366 01	SIDE DEFLECTOR LH	1				
21	191353 01	DRIVE GUARD TOP PLATE	1				
22	191200 01	DRIVE GUARD SUPPORT PLATE	1				
23	191368 01	SIDE DEFLECTOR RH	1				
24	191202 01	TOP COVER RH	1				
25	191360 01	TOP COVER RH	1				
26	BLT-2165	BOLT	4				
27	NUT-0263	NUT	12				
28	HSS-0140	SCREW	8				
29	WSH-0012	WASHER	20				
30	191355 01	COVER	1				
31	191352 01	FRONT DEFLECTOR LH	1				
32	191370 01	GUARD STAY	1				
33	HSS-0135	SCREW	3				



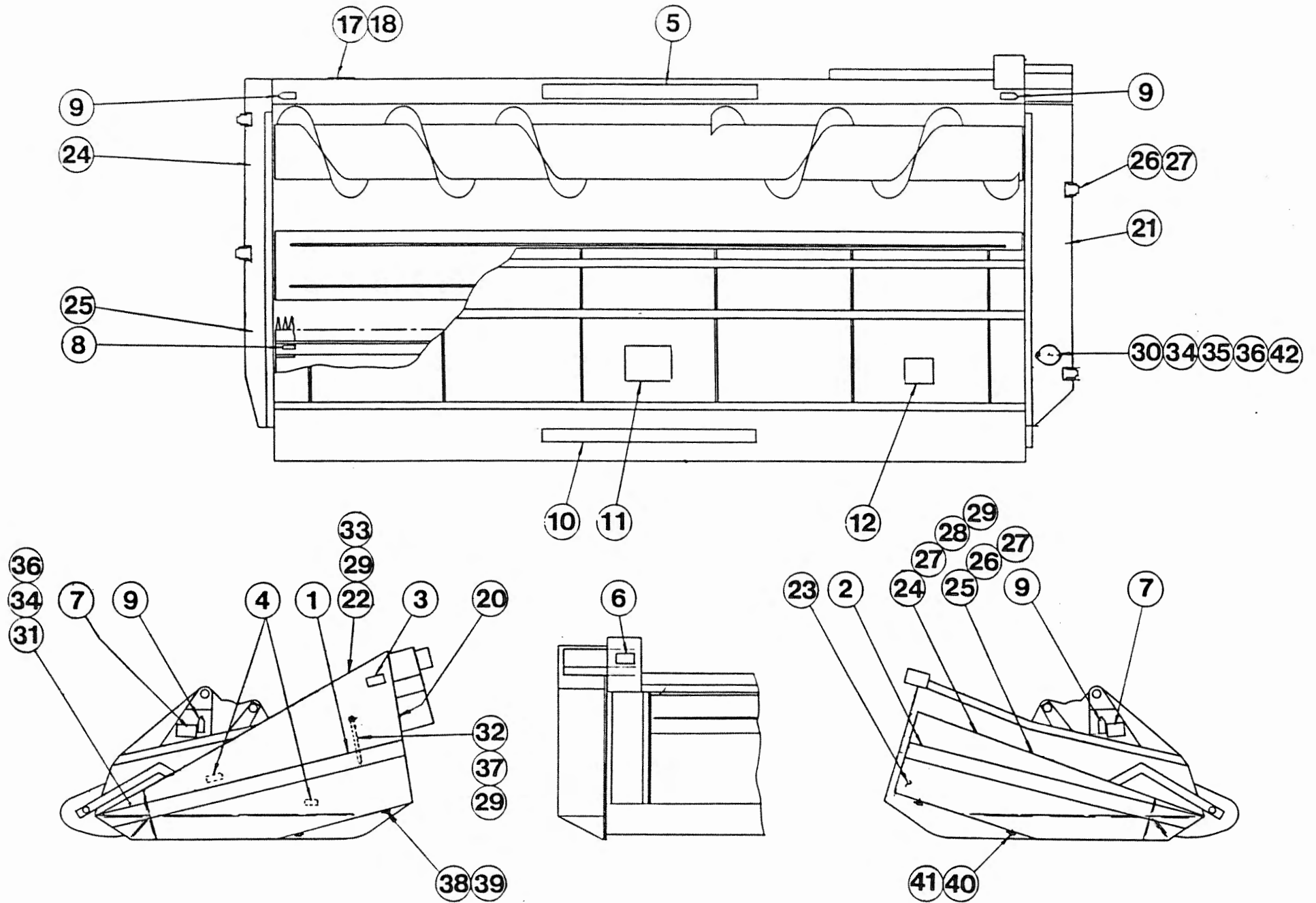
Shelbourne Reynolds Engineering Limited



ASSY NUMBER: 196036 01

ASSY DESCRIPTION: EMBLEMS & GUARDS

ITEM	PART NO	DESCRIPTION	QTY	ITEM	PART NO	DESCRIPTION	QTY
1	190848 01	EMBLEM	1	34	HSS-0084	SCREW	3
2	190848 02	EMBLEM	1	35	NUT-0260	NUT	2
3	127075 10	EMBLEM	1	36	WSH-0009	WASHER	8
4	127075 12	EMBLEM	6	37	PIN-1088	SPLIT PIN	1
5	190848 03	EMBLEM	1	38	RUB-0151	RUBBER TOGGLE (LARGE)	2
6	190702 01	EMBLEM	1	39	RUB-0154	HINGE PIN (LARGE)	2
7	190702 03	EMBLEM	2	40	RUB-0161	RUBBER TOGGLE (SMALL)	2
8	190702 02	EMBLEM	4	41	RUB-0164	HINGE PIN (SMALL)	2
9	190702 04	EMBLEM	4	42	SCW-4700	SCREW	1
10	190848 06	EMBLEM	1	43	HSS-0086	SCREW	2
11	190848 04	SRE EMBLEM	1	44	WSH-0056	WASHER	4
12a	190847 01	EMBLEM (3.0M)	1	45	WSH-0058	WASHER	3
12b	190847 02	EMBLEM (3.6M)	1				
12c	190847 03	EMBLEM (4.2M)	1				
12d	190847 04	EMBLEM (4.8M)	1				
12e	190847 05	EMBLEM (6.0M)	1				
12f	190847 06	EMBLEM (5.4M)	1				
13	190849 01	EMBLEM (WARNING)	1				
14	190848 05	EMBLEM (CAB)	1				
15							
16							
17	191359 01	IDENTIFICATION PLATE	1				
18	POP-0006	RIVET	4				
19							
20	191366 01	SIDE DEFLECTOR LH	1				
21	191353 01	DRIVE GUARD TOP PLATE	1				
22	191200 01	DRIVE GUARD SUPPORT PLATE	1				
23	191368 01	SIDE DEFLECTOR RH	1				
24	191202 01	TOP COVER RH	1				
25	191360 01	TOP COVER RH	1				
26	BLT-2165	BOLT	4				
27	NUT-0263	NUT	12				
28	HSS-0140	SCREW	8				
29	WSH-0012	WASHER	20				
30	191355 01	COVER	1				
31	191352 01	FRONT DEFLECTOR LH	1				
32	191370 01	GUARD STAY	1				
33	HSS-0135	SCREW	3				

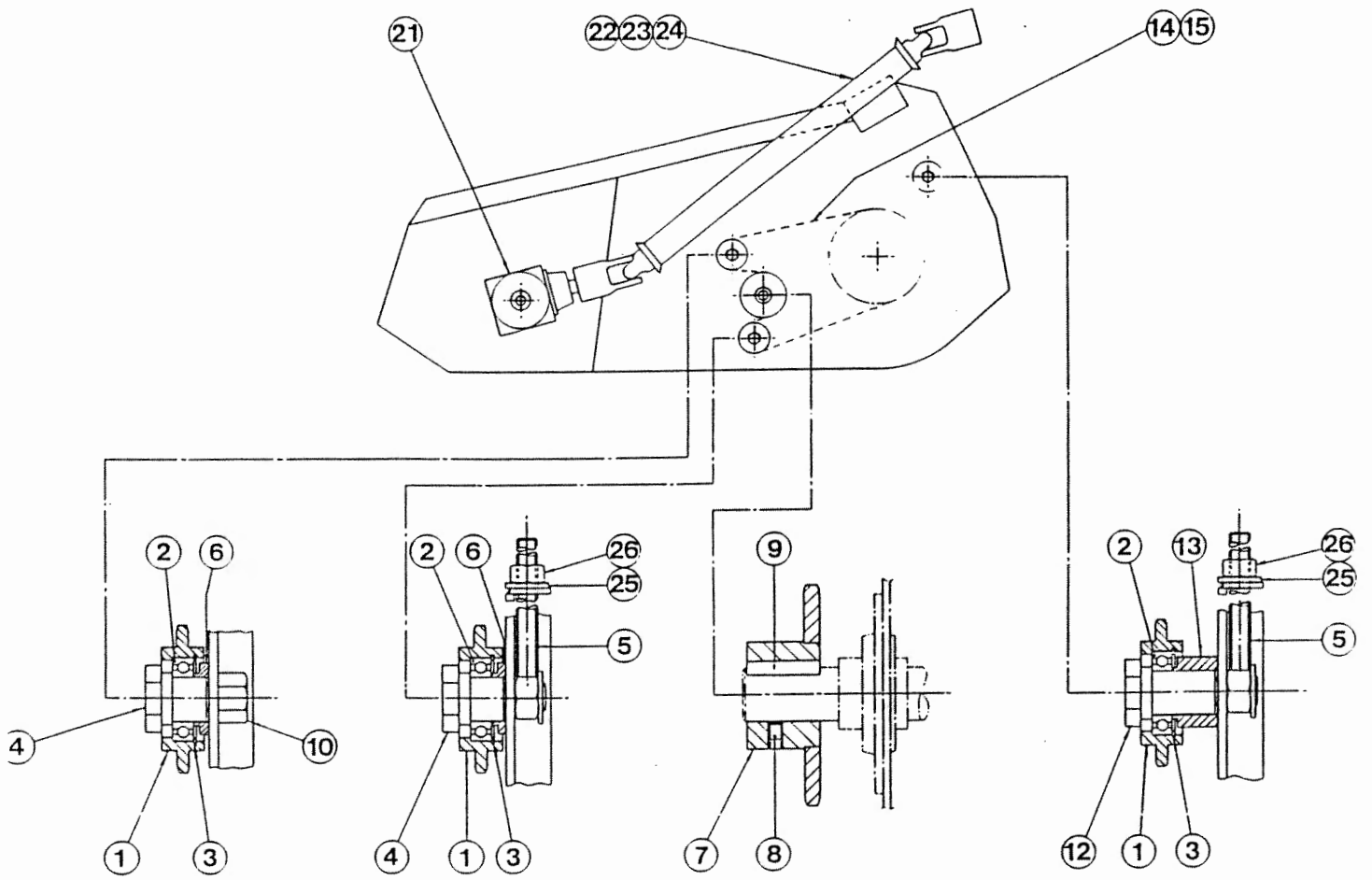


EMBLEMS AND GUARDS

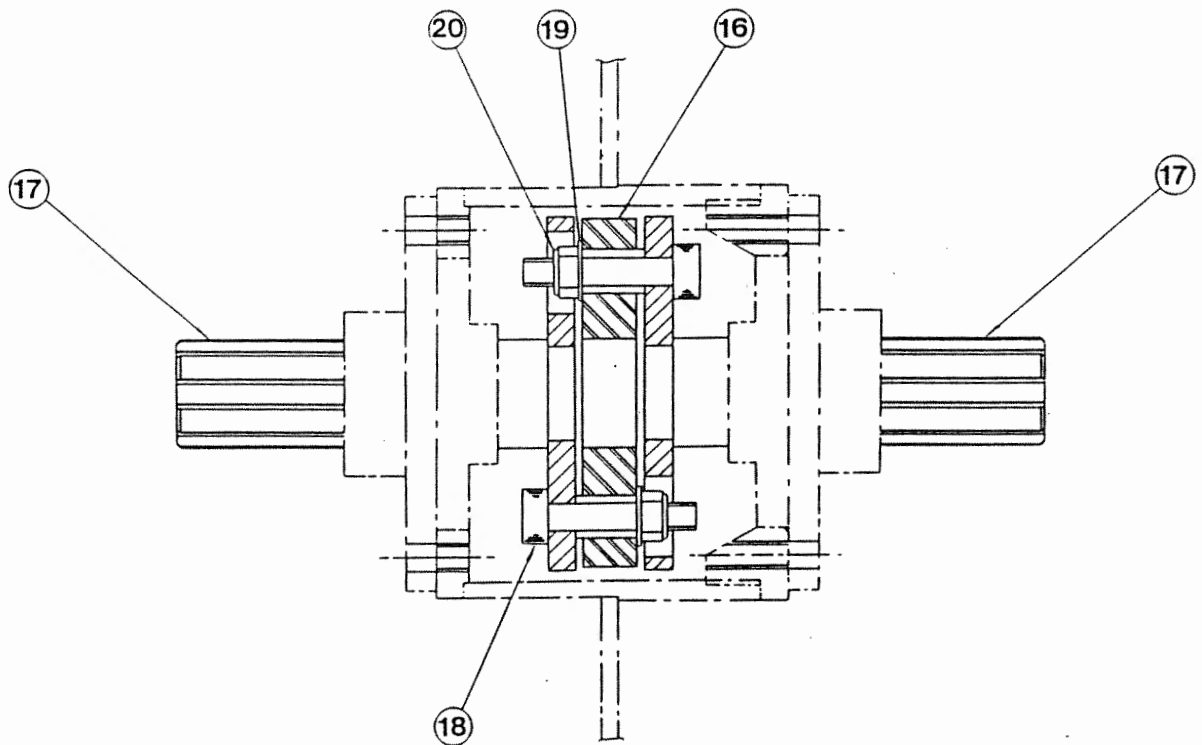
ASSY NUMBER: 196043 01 ASSY DESCRIPTION: DRIVE COMPONENTS C. T. MKII MULTI PLATE

ITEM	PART NO	DESCRIPTION	QTY	ITEM	PART NO	DESCRIPTION	QTY
1	131014 01	SPROCKET IDLER	3				
2	BRG-1995	BEARING	3				
3	CIR-0470	CIRCLIP	3				
4	190060 06	CONVEYOR IDLER SPINDLE	2				
5	191039 01	IDLER ADJ SCREW	2				
6	191040 01	CONVEYOR IDLER SPACER	2				
7	190057 01	CONVEYOR SPROCKET	1				
8	SCW-4535	SCREW	2				
9	K1008150	KEY	1				
10	NUT-0271	NUT	1				
11							
12	190060 07	AUGER IDLER SPINDLE	1				
13	191040 02	AUGER SPACER	1				
14	CHN-0020	CHAIN	1				
15	CHN-0111	CHAIN JOINER	1				
16	COU-0180	FLEXIBLE COUPLING	1				
17	190761 01	HUB AND SHAFT	2				
18	SCW-0201	SCREW	6				
19	WSH-0015	WASHER	6				
20	NUT-0265	LOCKNUT	6				
21	GEA-0090	BEVEL GEARBOX	1				
22							
23	PTO-09002	POWER SHAFT	1				
23A	191392 01	SHEAR BOLT	1				
23B	BLT-2115	SHEAR BOLT	1				
23C	NUT-0162	NUT	1				
24							
25	WSH-0018	WASHER	2				
26	BYT-0170	NUT	2				
27	GEA-0080	6 SPEED GB ASSY	1				





DRIVE COMPONENTS



DRIVE COMPONENTS

NOTE - TORQUE ITEMS 24 & 26 TO 77 N/M



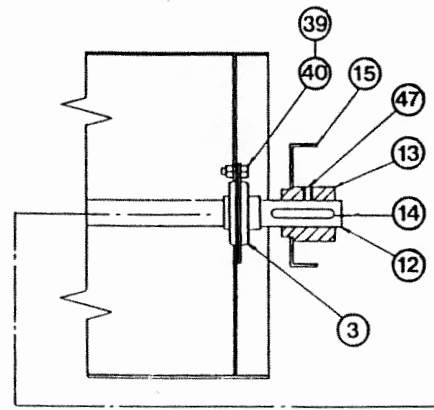
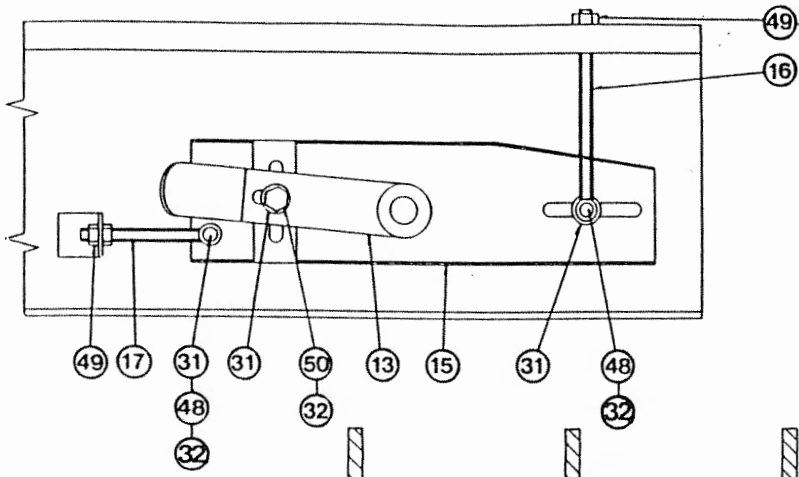
Shelbourne Reynolds Engineering Limited



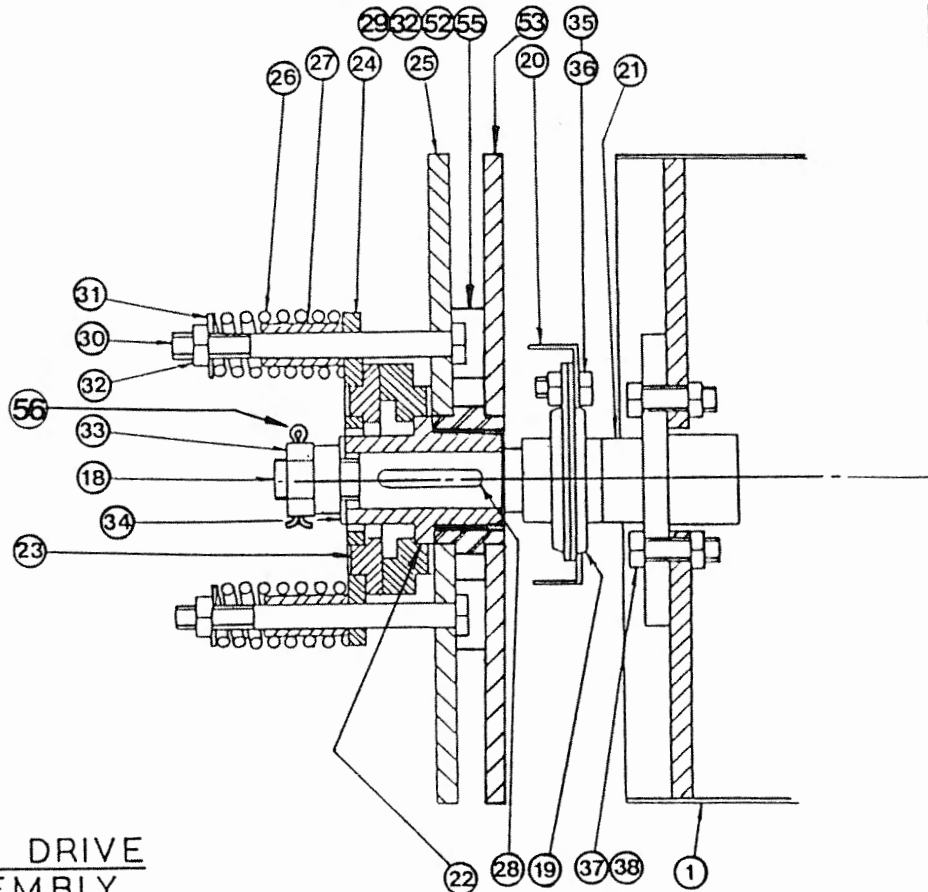
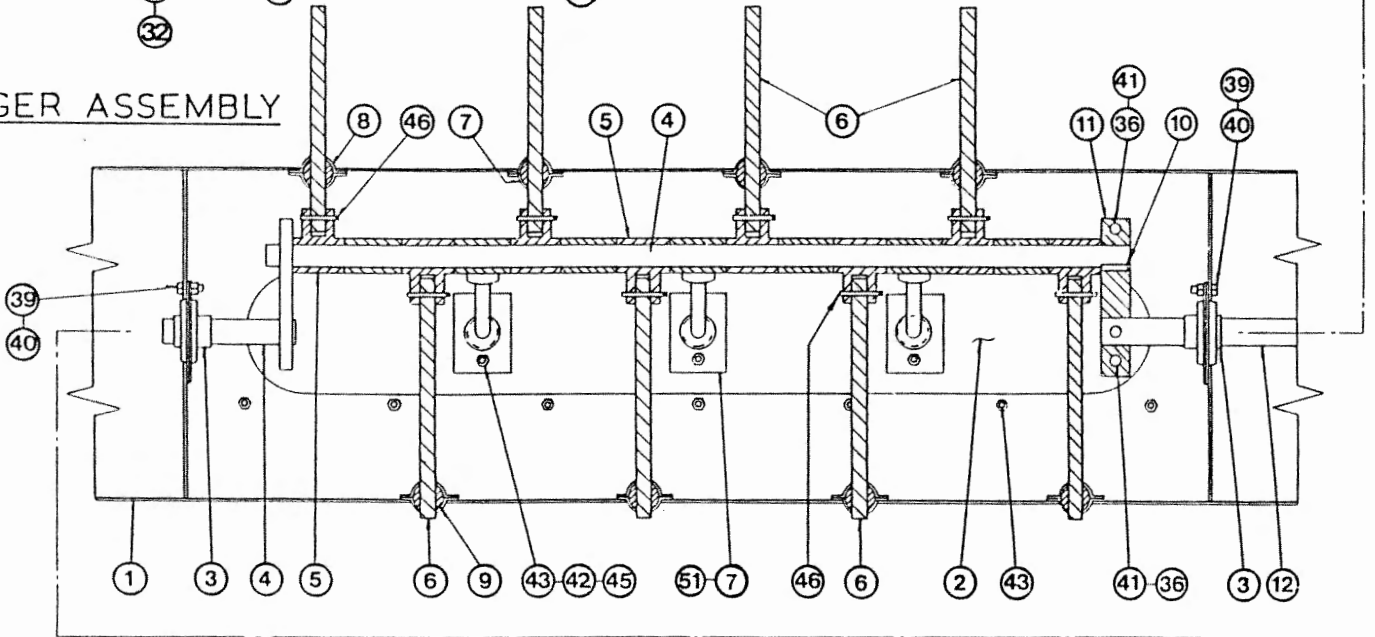
ASSY NUMBER: 196047 05

ASSY DESCRIPTION: AUGER (5.4M) (WITH FLIGHT TIPS)

ITEM	PART NO	DESCRIPTION	QTY	ITEM	PART NO	DESCRIPTION	QTY
1	191616 01	AUGER W A	1	39	BLT-2135	BOLT	9
2	190696 01	COVER PLATE	1	40	NUT-0263	NUT	6
3	BRG-4160	BEARING	3	41	BLT-2197	BOLT	3
4	190546 01	AUGER CRANK	1	42	SCW-4960	SCREW	44
5	132010 01	BUSH FOR FINGER	15	43	190735 01	BLANKING PLATE	1
6	190547 01	FINGER	14	44	NUT-0260	NYLOC NUT	30
7	132011	FINGER PLATE CONCAVE	14	45	WSH-0056	WASHER	14
8	132012	FINGER PLATE CONVEX	14	46	PIN-1167	PIN	14
9	132013	FINGER GUIDE	14	47	SCW-4530	SCREW	2
10	131095 03	KEY	1	48	BLT-3812	BOLT	4
11	190545 01	AUGER CLAMP	1	49	BUT-0170	NUT	8
12	191335 01	AUGER SHAFT	1	50	BLT-2240	BOLT	1
13	190208	FINGER ADJUSTER	1	51	190728 01	FINGER SHIM	14
14	K0807060	KEY	1	52	SCW-1975	SCREW )	4
15	191005 02	AUGER ADJUSTER RH	1	53	131024 05	SPROCKET	1
16	190585 06	VERTICAL ADJUSTER	2	54	WSH-0009	WASHER	14
17	190585 04	HORIZONTAL ADJUSTER	2	55	WSH-0018	WASHER	6
18	132018 02	AUGER DRIVE SHAFT	1	56	PIN-1150	SPLIT PIN	1
19	BRG-0240	BEARING	1				
20	191005 01	AUGER ADJUSTER LH	1				
21	132022 01	SPACER	1				
22	131025	HUB	1				
23	131005	CLUTCH PLATE	2				
24	131055 01	DRIVE PLATE	1				
25	131024 01	SPROCKET	1				
26	131063	SPRING	4				
27	131073 01	SPACER	4				
28	K0807050	KEY	1				
29	191006 01	SPACER	4				
30	BLT-2273	BOLT	4				
31	124048 01	WASHER	4				
32	NUT-0269	NYLOC NUT	13				
33	NUT-0580	NUT	1				
34	WSH-0030	WASHER	1				
35	HSS-0191	SETSCREW	3				
36	NUT-0265	NYLOC NUT	6				
37	BLT-2243	BOLT	4				
38	WSH-0065	WASHER	4				

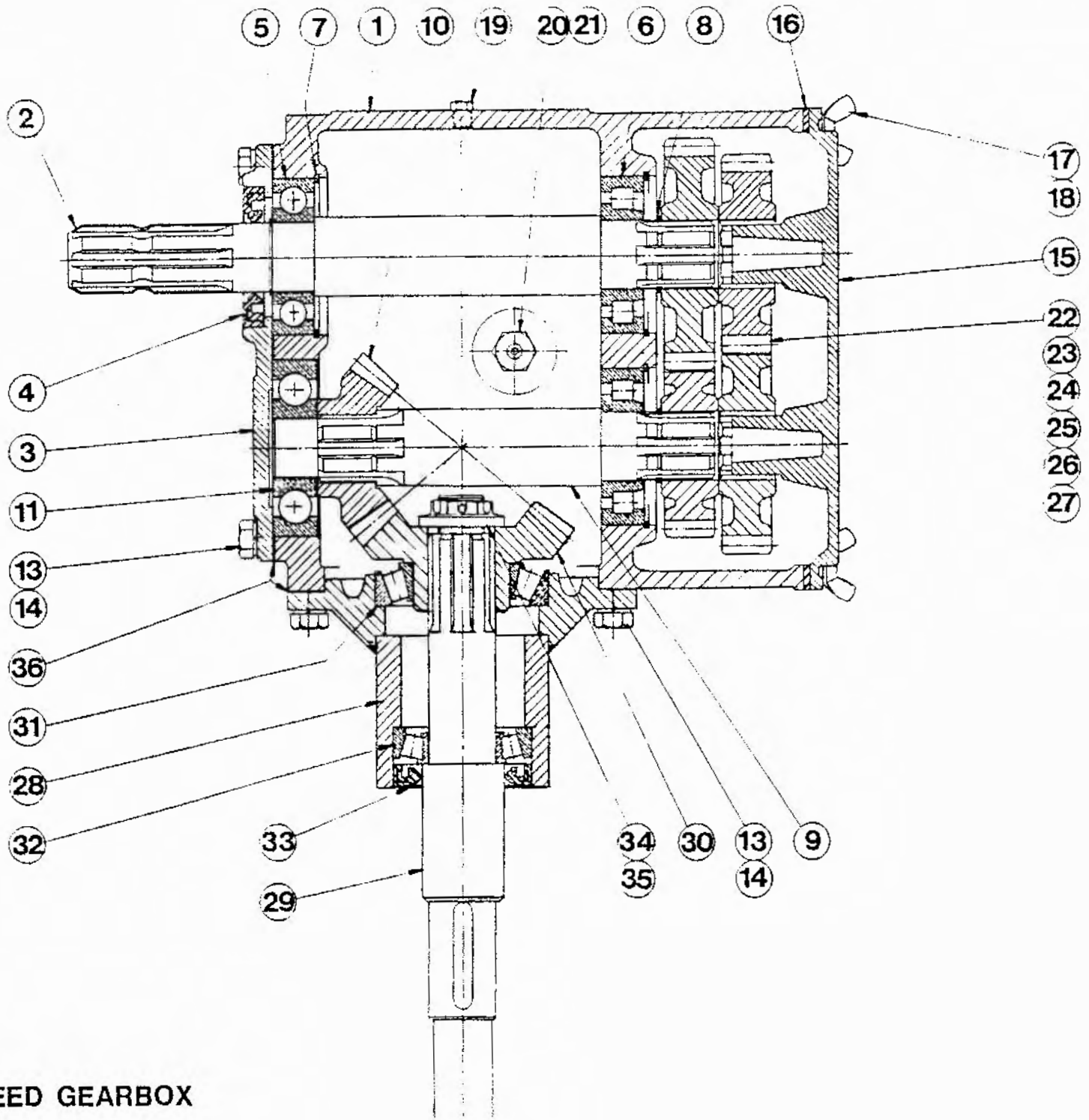


AUGER ASSEMBLY



AUGER DRIVE ASSEMBLY

ASSY NUMBER: GEA-0080		ASSY DESCRIPTION: 6 SPEED GEARBOX ASSY (FRAM1989)					
ITEM	PART NO	DESCRIPTION	QTY	ITEM	PART NO	DESCRIPTION	QTY
1	GEA-1203	GEARBOX CASING	1				
2	GEA-1102	INPUT SHAFT	1				
3	GEA-1204	SEAL HOUSING	1				
4	SEA-0550	SEAL	1				
5	BRG-6600	BEARING	1				
6	BRG-6601	BEARING	2				
7	CIR-3800	CIRCLIP	3				
8	CIR-2700	CIRCLIP	3				
9	GEA-1103	LAYSHAFT	1				
10	GEA-1002	BEVEL GEAR	1				
11	BRG-6800	BEARING	1				
12							
13	HSS-0194	BOLT	14				
14	WSH-0061	WASHER	14				
15	GEA-1206	REMOVABLE COVER	1				
16	GEA-13-1	REMOVABLE COVER GASKET	1				
17	SCW-4750	WING BOLT	3				
18	WSH-1310	WASHER	3				
19	FIT-0252	PLUG	1				
20	FIT-0218	PLUG	1				
21	WSH-1027	SEAL WASHER	1				
22	GEA-1072	CHANGE GEAR	1				
23	GEA-1073	CHANGE GEAR	1				
24	GEA-1074	CHANGE GEAR	1				
25	GEA-1075	CHANGE GEAR	1				
26	GEA-1076	CHANGE GEAR	1				
27	GEA-1077	CHANGE GEAR	1				
28	GEA-1207	OUTPUT HOUSING	1				
29	GEA-1104	OUTPUT SHAFT	1				
30	GEA-1003	BEVEL GEAR	1				
31	BRG-6000	BEARING	1				
32	BRG-5700	BEARING	1				
33	SEA-0560	SEAL	1				
34	NUT-0590	CASTLE NUT	1				
35	PIN-1168	COTTER PIN	1				
36	GEA-1302	GASKET SET	1				



SIX SPEED GEARBOX

473

## Shelbourne Reynolds Engineering Limited

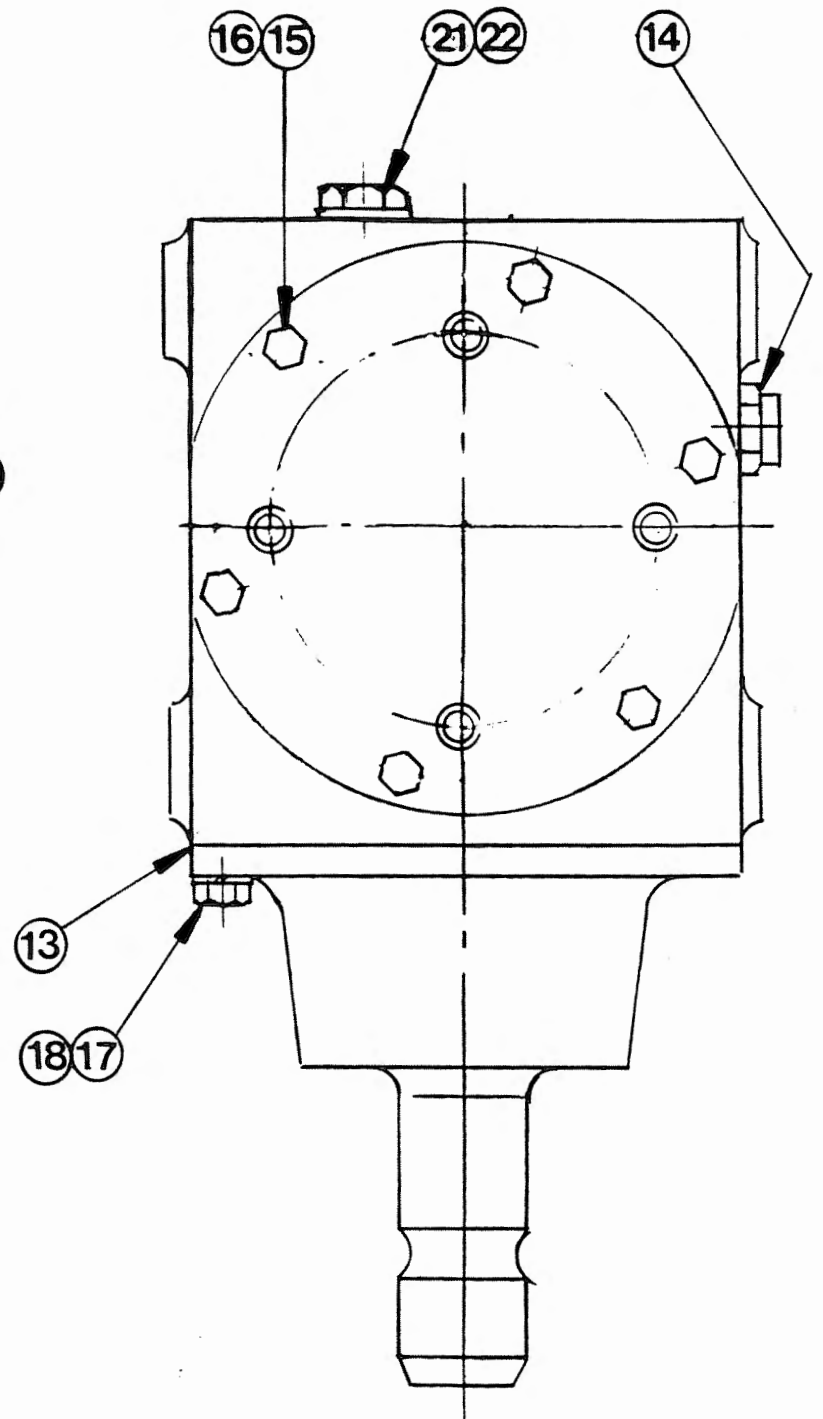
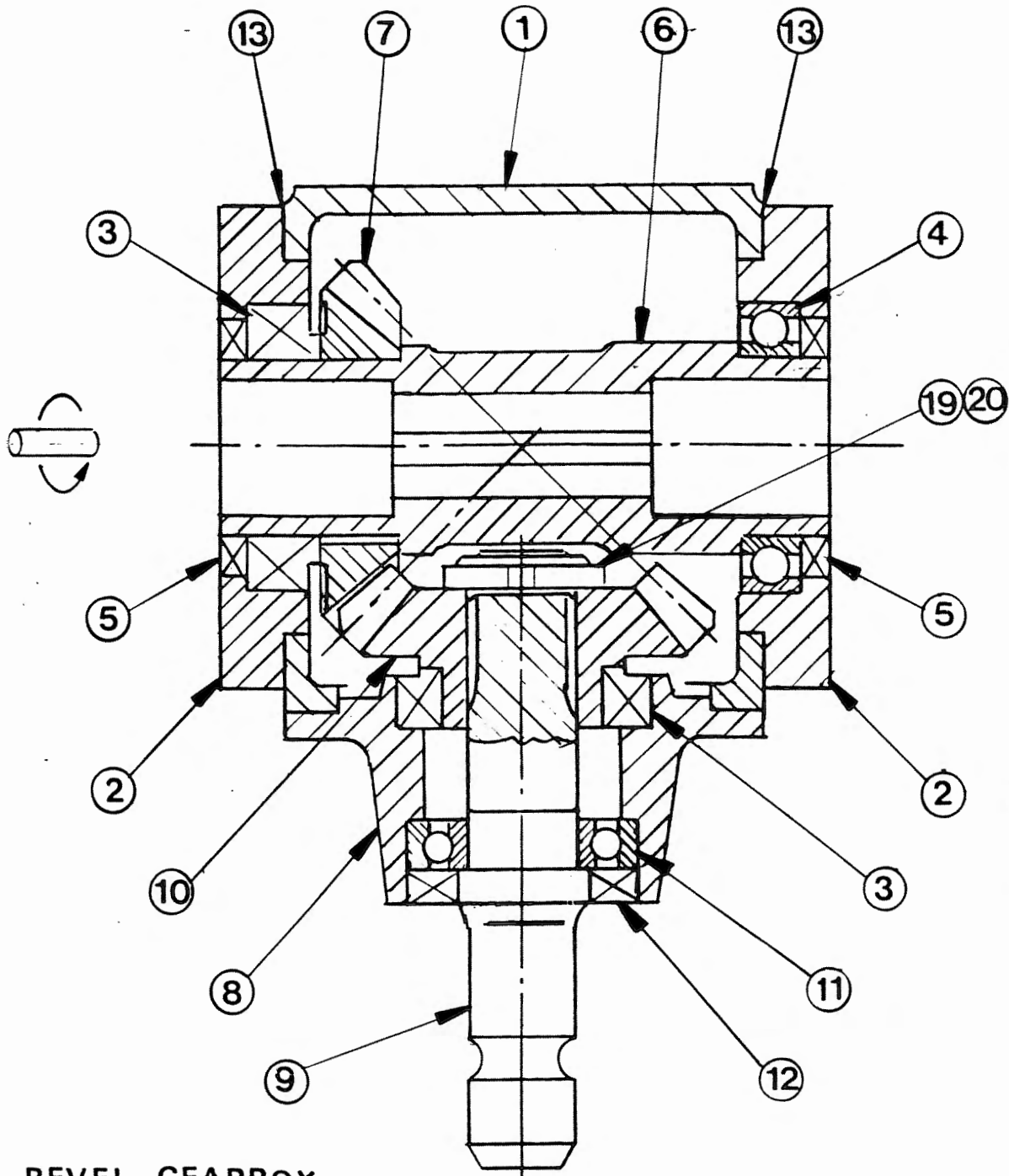
SRE

ASSY NUMBER:

GEA-0090

ASSY DESCRIPTION: BEVEL GEARBOX ASSY (FROM 1989)

ITEM	PART NO	DESCRIPTION	QTY	ITEM	PART NO	DESCRIPTION	QTY
1	GEA-1200	BEVEL GEARBOX CASING	1				
2	GEA-1201	BEARING & SEAL HOUSING	1				
3	BRG-6001	BEARING	2				
4	BRG-6002	BEARING	1				
5	SEA-0570	SEAL	2				
6	GEA-1100	OUTPUT SHAFT	1				
7	GEA-1000	BEVEL GEAR	1				
8	GEA-1202	INPUT HOUSING	1				
9	GEA-1101	INPUT SHAFT	1				
10	GEA-1001	BEVEL GEAR	1				
11	BRG-5710	BEARING	1				
12	SEA-0562	SEAL	1				
13	GEA-1300	GASKET	1				
14	FIT-0251	LEVEL PLUG	1				
15	HSS-0140	BOLT	12				
16	WSH-0058	WASHER	12				
17	HSS-0191	BOLT	6				
18	WSH-0061	WASHER	6				
19	NUT-0590	NUT	1				
20	PIN-1168	COTTER PIN	1				
21	FIT-0218	PLUG	1				
22	WSH-1027	SEAL WASHER	1				



BEVEL GEARBOX

