

# **SHELBOURNE REYNOLDS**

## **STRIPPER HEADER PARTS LIST**

### **SR4200 MULTI-PLATE STD**



**Shelbourne Reynolds Engineering Ltd, Shepherds Grove, Stanton,  
Bury St Edmunds, Suffolk IP31 2AR  
Telephone: Stanton (0359) 50415  
Fax.No (0359) 50464**



## GRAIN STRIPPER PARTS MANUAL

Your Shelbourne Reynolds stripper header is designed to fit many different types of combine.

For this reason the machine number index is broken down into sections for identification. Your machine numbers are listed below:

STRIPPER HEADER

---

ADAPTOR PLATE

---

DRIVE KIT

---

HYDRAULIC FITTING

---

OTHER OPTIONS

---

---

---

---

This manual contains all parts common to the stripper header and is used in conjunction with the combine fittings manual, which contains the adaptor plate, and drive kit parts and fitting, and any other options available.

### Machine Identification

The stripper header machine identification number is engraved on a plate on the top right hand corner of the header.

The adaptor plate has a plate on the top right hand corner also with the adaptor plate assembly number engraved on it.

The drive kit can be identified by description, and use of the drive kit identification number marked above.

### Ordering Spare Parts

To ensure that you order the correct part from your SRE dealer please use the following procedure.

Always quote the serial number and stripper head number from the plate on the top right hand corner of the stripper head. Always quote the adaptor plate assembly number from the plate on the top right hand side of the adaptor plate.

Refer to the front of this parts list book (machine assemblies), decide if the part you want is on:

Stripper Head  
Adaptor Kit  
Drive Kit

If your part is on the Adaptor Kit, identify by matching the part number from the adaptor plate with that in the top left hand corner of the parts lists. You will find the appropriate drawing accompanying the parts list.

If the part you require is on the drive kit, ensure that you have the parts listing for the correct combine model and width. Then progress through to the next drawing following that list, for indication of that part.

If the part you require is on the stripper head assembly, identify the appropriate assembly by matching the part number from the stripper head with the page with the same number marked on the top left hand side.

Use the following sub assembly numbers and descriptions to find the area of the machine that your part is required, i.e. you need a part which is fitted to the conveyor, your part will be in the conveyor assembly parts list.

Having decided which sub-assembly your part should be under, use the number beside that sub-assembly description which will begin with 1960-- -- to find the parts listing of the sub-assembly further on in the manual. The number will be printed in the top left hand corner, the sub-assemblies are in numerical order.

Having found the correct parts list, you will find the corresponding drawing by processing through the manual to the next drawing.

The drawings indicate the components by item numbers which you will find are repeated in the left hand side of your parts listing, and therefore referring to the correct part.



Shelbourne Reynolds Engineering Limited



ASSY NUMBER: 196515 03

ASSY DESCRIPTION: MKII GRAIN STRIPPER 4.2M MULTI PLATE

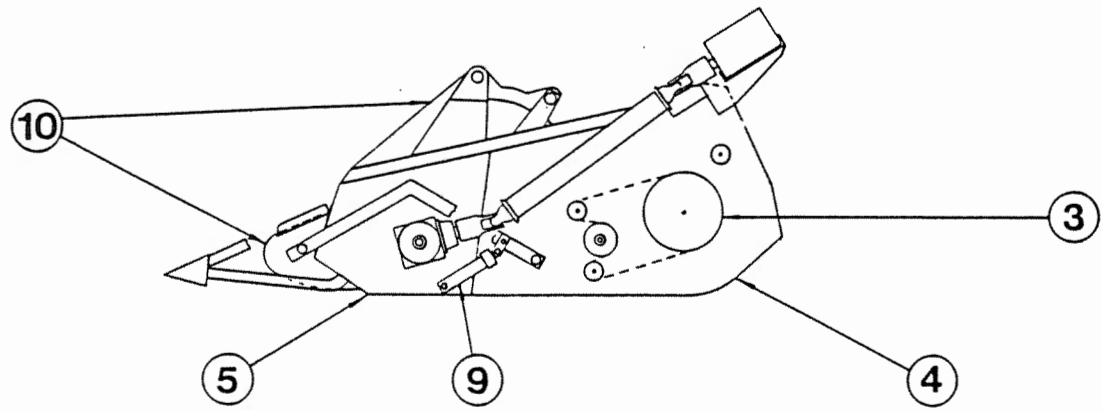
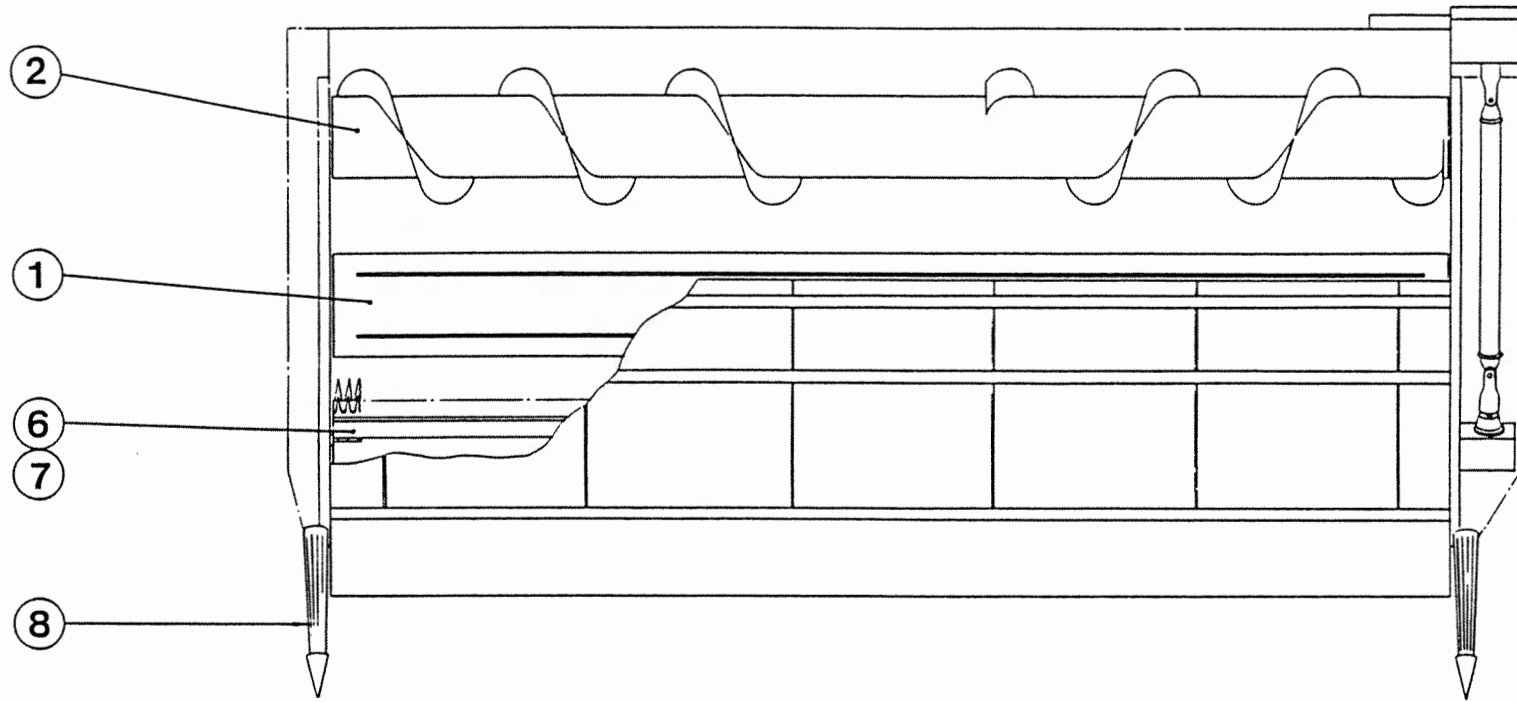
| ITEM | PART NO   | DESCRIPTION             | QTY | ITEM | PART NO | DESCRIPTION | QTY |
|------|-----------|-------------------------|-----|------|---------|-------------|-----|
| 1    | 196028 02 | CONVEYOR ASSY           | 1   |      |         |             |     |
| 2    | 196029 02 | AUGER ASSY              | 1   |      |         |             |     |
| 3    | 196030 01 | DRIVE COMPONENTS        | 1   |      |         |             |     |
| 4    | 196031 03 | FRAME & COMPONENTS      | 1   |      |         |             |     |
| 5    | 196032 01 | ASSY COMPONENTS         | 1   |      |         |             |     |
| 6    | 196010 01 | STRIPPING ROTOR RH 1.8M | 1   |      |         |             |     |
| 7    | 196010 02 | STRIPPING ROTOR LH 2.4M | 1   |      |         |             |     |
| 8    | 196027    | CROP DIVIDERS           | 1   |      |         |             |     |
| 9    | 196035 03 | HYDRAULICS              | 1   |      |         |             |     |
| 10   | 196036 01 | EMBLEMS & GUARDS        | 1   |      |         |             |     |
| 11   | 196034 01 | DRIVE KIT               | 1   |      |         |             |     |



ASSY NUMBER: 196516 03

ASSY DESCRIPTION: MKII GRAIN STRIPPER 4.2M MULTI PLATE

| ITEM | PART NO   | DESCRIPTION             | QTY | ITEM | PART NO | DESCRIPTION | QTY |
|------|-----------|-------------------------|-----|------|---------|-------------|-----|
| 1    | 196028 02 | CONVEYOR ASSY           | 1   |      |         |             |     |
| 2    | 196047 03 | AUGER ASSY              | 1   |      |         |             |     |
| 3    | 196043 01 | DRIVE COMPONENTS        | 1   |      |         |             |     |
| 4    | 196031 03 | FRAME & COMPONENTS      | 1   |      |         |             |     |
| 5    | 196032 01 | ASSY COMPONENTS         | 1   |      |         |             |     |
| 6    | 196010 01 | STRIPPING ROTOR RH 1.8M | 1   |      |         |             |     |
| 7    | 196010 02 | STRIPPING ROTOR LH 2.4M | 1   |      |         |             |     |
| 8    | 196027    | CROP DIVIDERS           | 1   |      |         |             |     |
| 9    | 196035 03 | HYDRAULICS              | 1   |      |         |             |     |
| 10   | 196036 02 | EMBLEMS & GUARDS        | 1   |      |         |             |     |
| 11   | 196034 01 | DRIVE KIT               | 1   |      |         |             |     |









Shelbourne Reynolds Engineering Limited



ASSY NUMBER: 196010 01

ASSY DESCRIPTION: STRIPPING ROTOR ASSY RH 1.8M MK2

| ITEM | PART NO   | DESCRIPTION           | QTY | ITEM | PART NO | DESCRIPTION | QTY |
|------|-----------|-----------------------|-----|------|---------|-------------|-----|
| 1    | 191363 02 | ROTOR SECTION         | 8   |      |         |             |     |
| 2    | 190549 01 | ROTOR SECTION PL RH   | 2   |      |         |             |     |
| 3    | 190549 02 | ROTOR SECTION PL LH   | 2   |      |         |             |     |
| 4    | 191357 01 | ROTOR BLADE           | 8   |      |         |             |     |
| 5    | SCW-5180  | SCREW                 | 32  |      |         |             |     |
| 6    | 190764 04 | ROTOR SHAFT ASSY      | 1   |      |         |             |     |
| 7    | 190008 01 | ROTOR END COVER       | 2   |      |         |             |     |
| 8    | HSS-0147  | BOLT                  | 144 |      |         |             |     |
| 9    | 191313 01 | ANTI WRAP PLATE LH    | 8   |      |         |             |     |
| 10   | WSH-0058  | SPRING WASHER         | 144 |      |         |             |     |
| 11   | HSS-0191  | BOLT                  | 12  |      |         |             |     |
| 12   | WSH-0015  | WASHER                | 24  |      |         |             |     |
| 13   | NUT-0265  | NYLOC NUT             | 12  |      |         |             |     |
| 14   | 191313 02 | ANTI-WRAP PLATE RH    | 8   |      |         |             |     |
| 15   | 191630 01 | ANTI WEAR STRIP (CTR) | 16  |      |         |             |     |
| 16   | 190760 01 | END BLANKING PLATE RH | 1   |      |         |             |     |
| 17   | 190760 02 | END BLANKING PLATE LH | 1   |      |         |             |     |
| 18   | HSS-0135  | SCREW                 | 96  |      |         |             |     |
| 19   | WSH-1300  | WASHER                | 96  |      |         |             |     |
| 20   | 191357 04 | ROTOR BLADE           | 16  |      |         |             |     |
| 21   | 191471 01 | ANTI WRAP PLATE ADJ   | 16  |      |         |             |     |
| 22   | 191630 02 | ANTI-WEAR STRIP (RH)  | 8   |      |         |             |     |
| 23   | 191630 03 | ANTI-WEAR STRIP (LH)  | 8   |      |         |             |     |
| 24   | WSH-1034  | WASHER                | 32  |      |         |             |     |



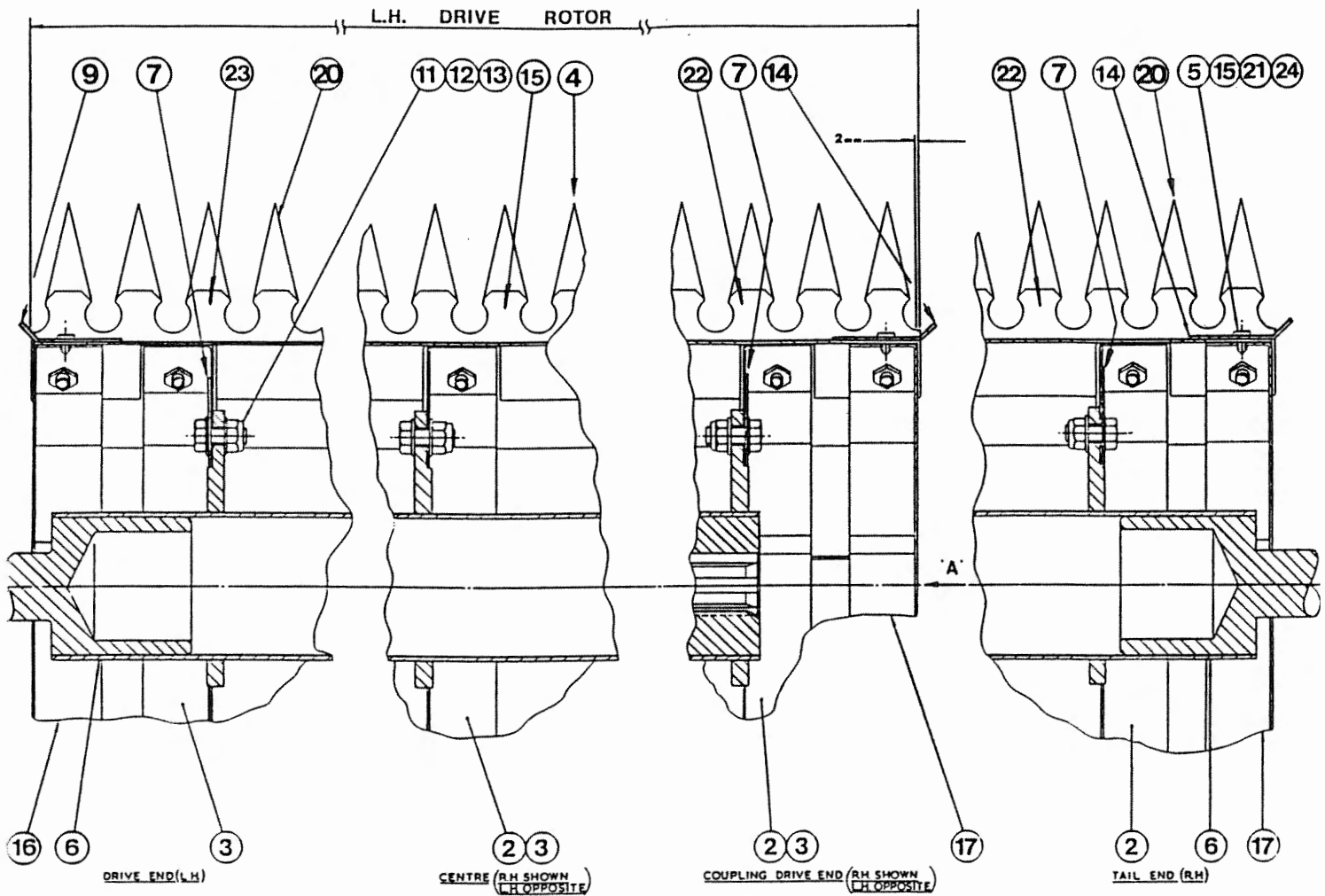
## Shelbourne Reynolds Engineering Limited



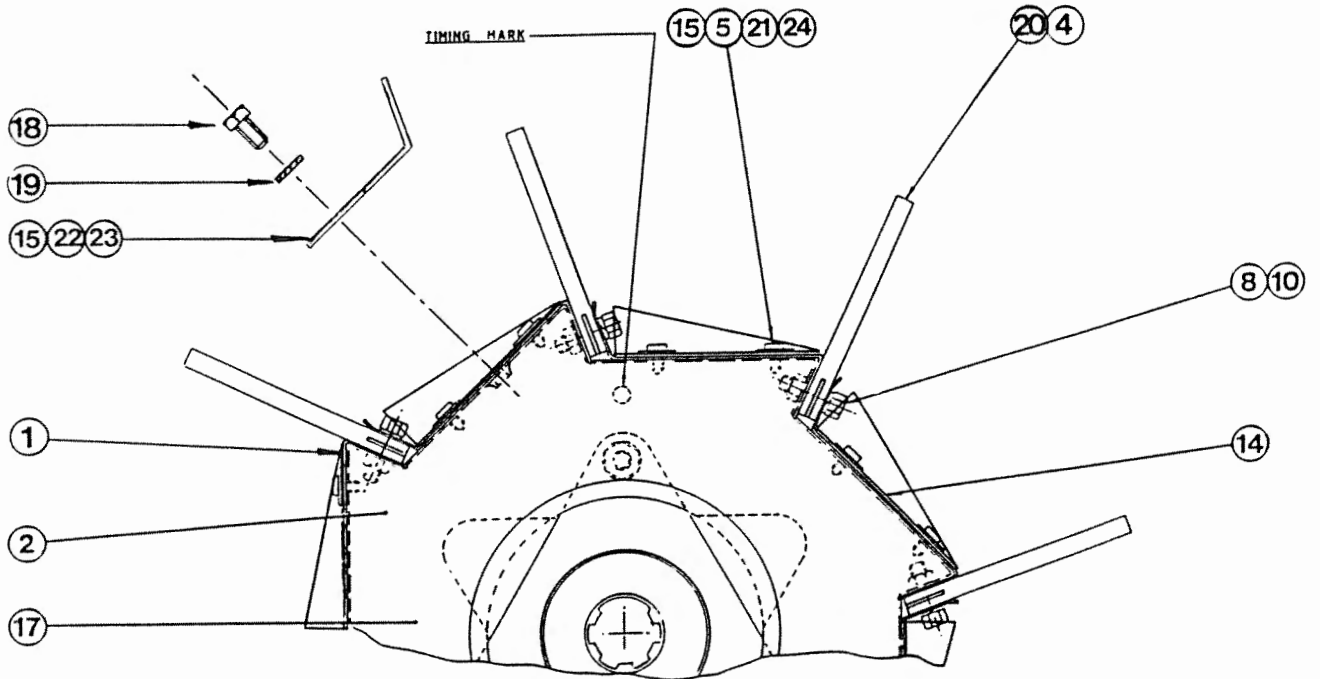
ASSY NUMBER: 196010 02

ASSY DESCRIPTION: STRIPPING ROTOR ASSY LH 2.4M MK2

| ITEM | PART NO   | DESCRIPTION           | QTY | ITEM | PART NO | DESCRIPTION | QTY |
|------|-----------|-----------------------|-----|------|---------|-------------|-----|
| 1    | 191363 03 | ROTOR SECTION         | 8   |      |         |             |     |
| 2    | 190549 01 | ROTOR SECTION PL RH   | 3   |      |         |             |     |
| 3    | 190549 02 | ROTOR SECTION PL LH   | 2   |      |         |             |     |
| 4    | 191357 01 | ROTOR BLADE           | 16  |      |         |             |     |
| 5    | SCW-5180  | SCREW                 | 32  |      |         |             |     |
| 6    | 190764 06 | ROTOR SHAFT ASSY      | 1   |      |         |             |     |
| 7    | 190008 01 | ROTOR END COVER       | 2   |      |         |             |     |
| 8    | HSS-0147  | BOLT                  | 192 |      |         |             |     |
| 9    | 191313 01 | ANTI WRAP PLATE LH    | 8   |      |         |             |     |
| 10   | WSH-0058  | SPRING WASHER         | 192 |      |         |             |     |
| 11   | HSS-0191  | BOLT                  | 15  |      |         |             |     |
| 12   | WSH-0015  | WASHER                | 30  |      |         |             |     |
| 13   | NUT-0265  | NYLOC NUT             | 15  |      |         |             |     |
| 14   | 191313 02 | ANTI WRAP PLATE RH    | 8   |      |         |             |     |
| 15   | 191630 01 | ANTI-WEAR STRIP       | 24  |      |         |             |     |
| 16   | 190760 01 | END BLANKING PLATE RH | 1   |      |         |             |     |
| 17   | 190760 02 | END BLANKING PLATE LH | 1   |      |         |             |     |
| 18   | HSS-0135  | SCREW                 | 128 |      |         |             |     |
| 19   | WSH-1300  | WASHER                | 128 |      |         |             |     |
| 20   | 191357 04 | ROTOR BLADE           | 16  |      |         |             |     |
| 21   | 191471 01 | ANTI WRAP ADJ PLATE   | 16  |      |         |             |     |
| 22   | 191630 02 | ANTI-WEAR STRIP (RH)  | 8   |      |         |             |     |
| 23   | 191630 03 | ANTI-WEAR STRIP (LH)  | 8   |      |         |             |     |
| 24   | WSH-1034  | WASHER                | 32  |      |         |             |     |



STRIPPING ROTOR ASSEMBLY



VIEW ON ARROW A

**ASSEMBLY OF ROTOR**

ALWAYS START AT THE SPLINED END.  
 FOR L.H. ROTORS - 1st SECTION PLATE R.H. ITEM 2  
 FOR R.H. ROTORS - 1st SECTION PLATE L.H. ITEM 3  
 ALIGN TIMING HOLE ON SECTION PLATE WITH HOLE IN THE TRIANGULAR PLATE WHICH IS IN LINE WITH THE MASTER SPLINE.  
 FOLLOWING SECTION PLATES ARE ASSEMBLED WITH THE TIMING HOLE 180° ALTERNATE

STRIPPING ROTOR ASSEMBLY



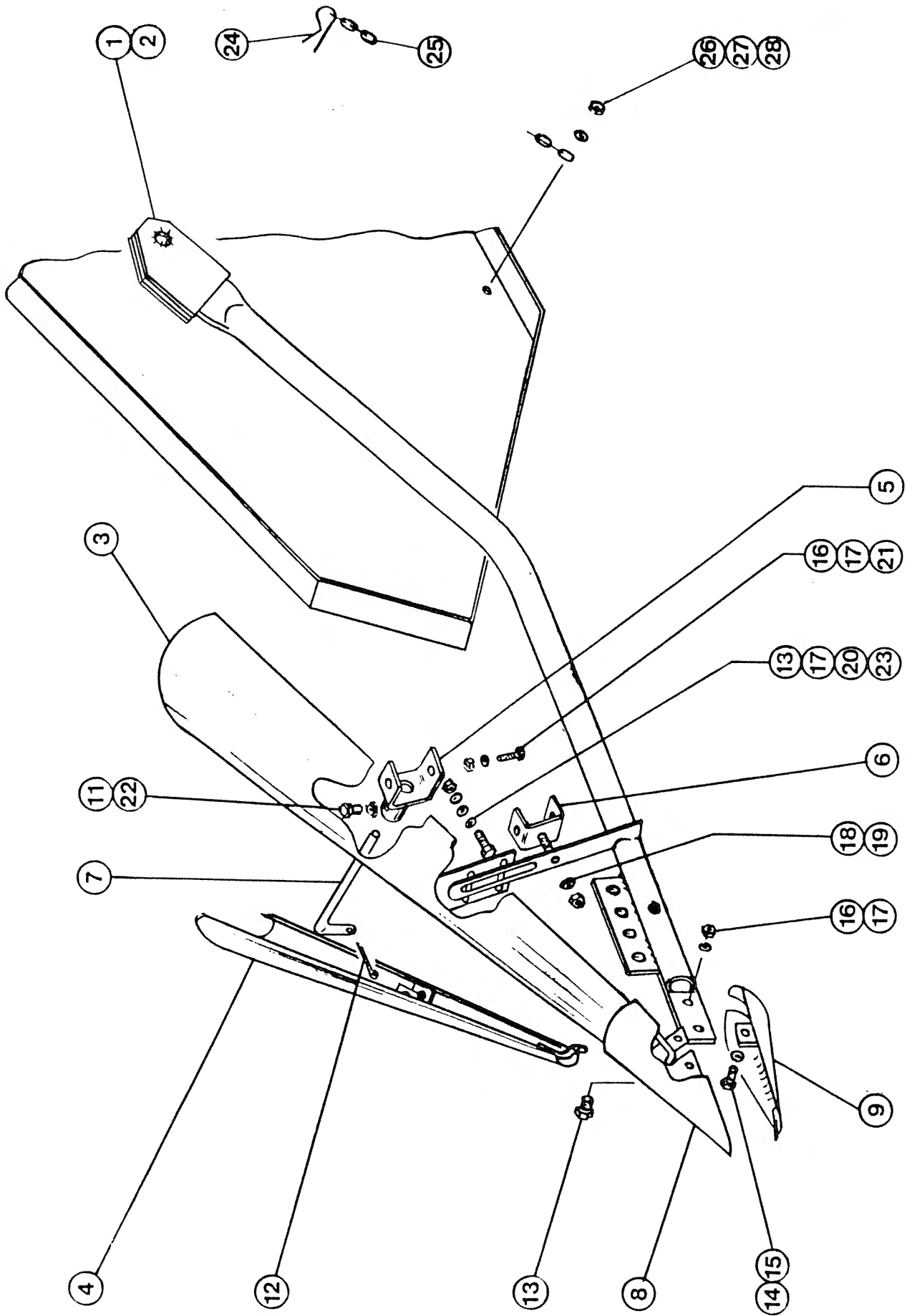
## Shelbourne Reynolds Engineering Limited



ASSY NUMBER: 196027

ASSY DESCRIPTION: DIVIDER

| ITEM | PART NO   | DESCRIPTION      | QTY | ITEM | PART NO | DESCRIPTION | QTY |
|------|-----------|------------------|-----|------|---------|-------------|-----|
| 1    | 190931 01 | DIVIDER ARM LH   | 1   |      |         |             |     |
| 2    | 190931 02 | DIVIDER ARM RH   | 1   |      |         |             |     |
| 3    | 190929    | DIVIDING PLATE   | 2   |      |         |             |     |
| 4    | 190930    | INNER DEFLECTOR  | 2   |      |         |             |     |
| 5    | 190927    | BRACKET ASSEMBLY | 2   |      |         |             |     |
| 6    | 190928    | BRACKET ASSEMBLY | 2   |      |         |             |     |
| 7    | 190926    | ADJUSTER ROD     | 2   |      |         |             |     |
| 8    | DIV-0001  | NOSE CONE        | 2   |      |         |             |     |
| 9    | DIV-0005  | SHOE             | 2   |      |         |             |     |
| 10   |           |                  |     |      |         |             |     |
| 11   | HSS-0235  | SCREW            | 2   |      |         |             |     |
| 12   | PIN-1167  | SPLIT PIN        | 2   |      |         |             |     |
| 13   | HSS-0194  | SCREW            | 10  |      |         |             |     |
| 14   | HSS-0160  | SCREW            | 2   |      |         |             |     |
| 15   | WSH-0012  | WASHER           | 2   |      |         |             |     |
| 16   | NUT-0265  | NUT              | 8   |      |         |             |     |
| 17   | WSH-0015  | WASHER           | 20  |      |         |             |     |
| 18   | NUT-0271  | NUT              | 2   |      |         |             |     |
| 19   | WSH-0024  | WASHER           | 2   |      |         |             |     |
| 20   | WSH-0061  | SPRING WASHER    | 6   |      |         |             |     |
| 21   | HSS-0198  | SCREW            | 4   |      |         |             |     |
| 22   | NUT-0170  | NUT              | 2   |      |         |             |     |
| 23   | NUT-0167  | NUT              | 6   |      |         |             |     |
| 24   | ACL-0013  | R CLIP           | 2   |      |         |             |     |
| 25   | CHN-0145  | CHAIN            | 2   |      |         |             |     |
| 26   |           |                  |     |      |         |             |     |
| 27   | WSH-0009  | WASHER           | 4   |      |         |             |     |
| 28   | NUT-0260  | NUT              | 2   |      |         |             |     |



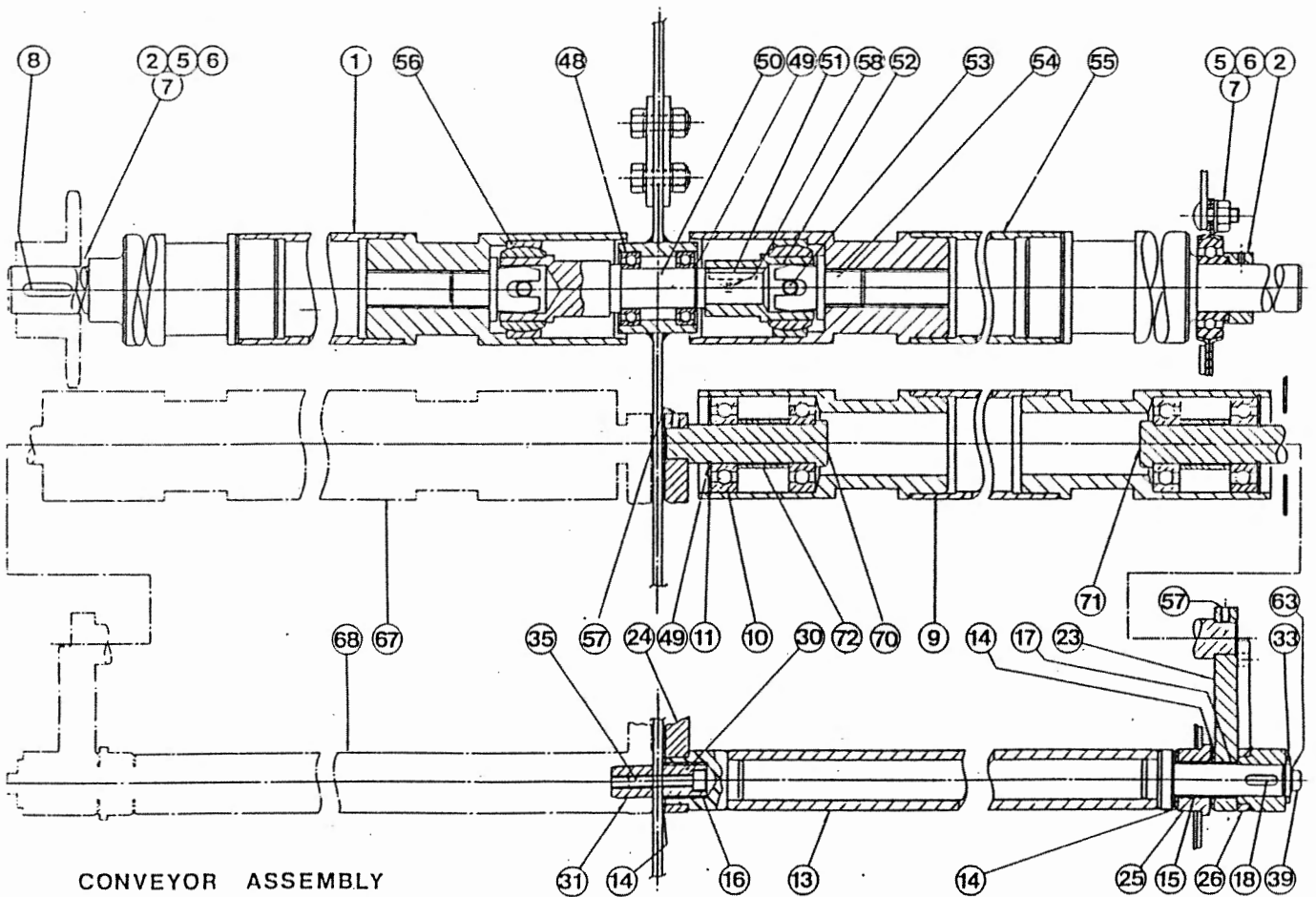
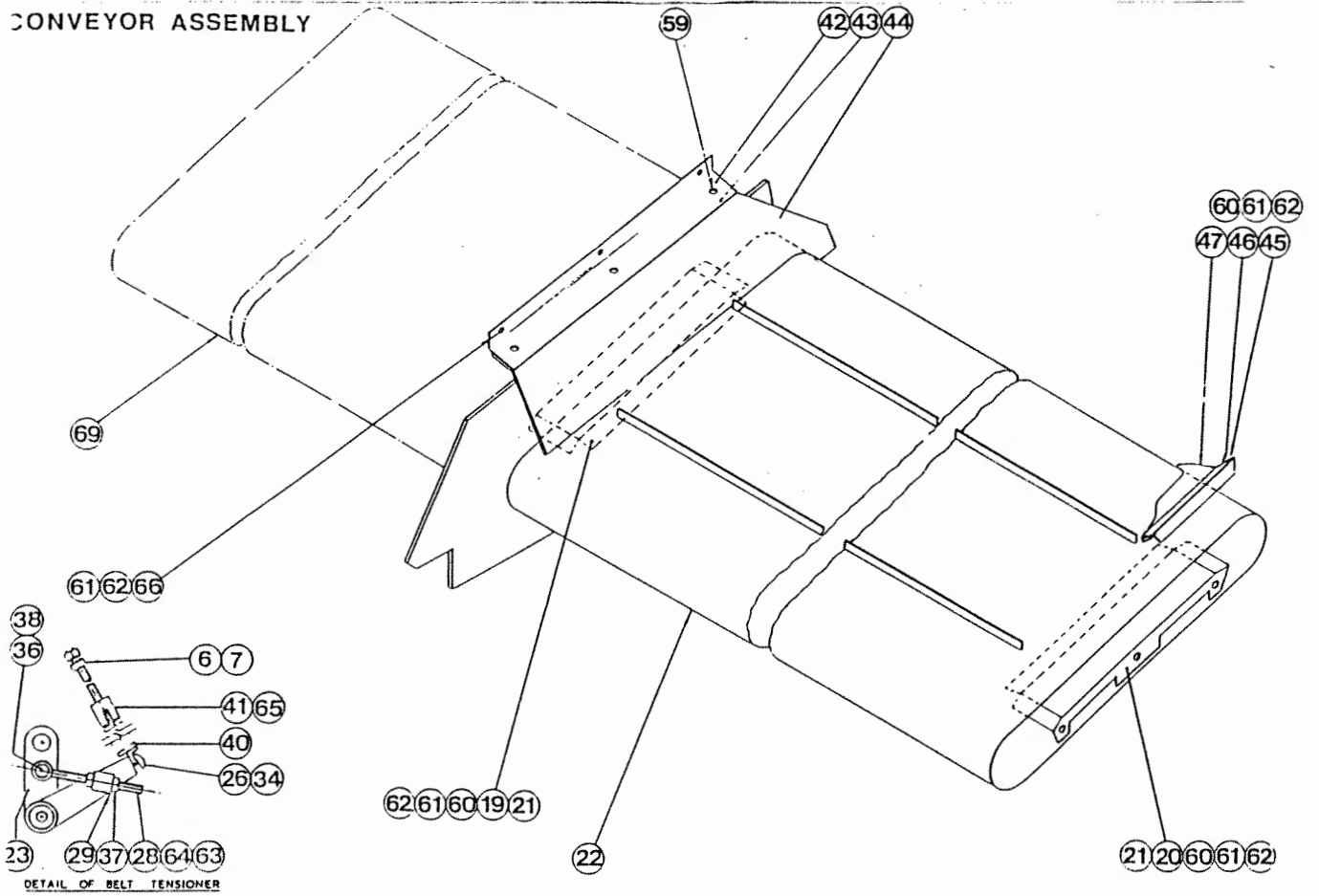


Shelbourne Reynolds Engineering Limited



| ASSY NUMBER: 196028 02 |           | ASSY DESCRIPTION: CONVEYOR ASSY (4.2M) |     |      |           |                             |     |
|------------------------|-----------|--|-----|------|-----------|-----------------------------|-----|
| ITEM                   | PART NO   | DESCRIPTION                            | QTY | ITEM | PART NO   | DESCRIPTION                 | QTY |
| 1                      | 191004 01 | DRIVE ROLLER (2.4)                     | 1   | 39   | HSS-0135  | SCREW                       | 2   |
| 2                      | BRG-2020  | BEARING                                | 2   | 40   | SPG-0060  | SPRING                      | 2   |
| 3                      |           |  |     | 41   | 190114 01 | SPRING ADJ.                 | 2   |
| 4                      |           |  |     | 42   | 190175 01 | SEAL SUPPORT (INNER)        | 2   |
| 5                      | SCW-0514  | BOLT                                   | 6   | 43   | 190175 02 | CLAMP STRIP (INNER)         | 2   |
| 6                      | NUT-0167  | NUT                                    | 6   | 44a  | 190175 03 | SEAL STRIP (INNER) LH       | 1   |
| 7                      | WSH-0015  | WASHER                                 | 6   | 44b  | 190175 04 | SEAL STRIP (INNER) RH       | 1   |
| 8                      | K0807030  | KEY                                    | 1   | 45   | 190174 01 | SEAL SUPPORT (OUTER)        | 2   |
| 9                      | 190018 14 | ROLLER (1.8M)                          | 1   | 46   | 190174 02 | CLAMP STRIP (OUTER)         | 2   |
| 10                     | BRG-3358  | BEARING                                | 8   | 47a  | 190174 03 | SEAL STRIP (OUTER) LH       | 1   |
| 11                     | CIR-0620  | CIRCLIP                                | 4   | 47b  | 190174 04 | SEAL STRIP (OUTER) RH       | 1   |
| 12                     |           |  |     | 48   | BRG-1994  | BEARING                     | 2   |
| 13                     | 190019 11 | ROLLER ADJ. SHAFT (1.8M)               | 1   | 49   | CIR-1125  | CIRCLIP                     | 5   |
| 14                     | WSH-1520  | WASHER                                 | 6   | 50   | 190373 01 | ROLLER DRIVE SHAFT          | 1   |
| 15                     | BRG-4575  | BEARING                                | 2   | 51   | K0606030  | KEY                         | 1   |
| 16                     | BRG-4585  | BEARING                                | 2   | 52   | 190551 01 | CONVEYOR ROLLER HUB         | 1   |
| 17                     | BRG-4565  | BEARING                                | 2   | 53   | 190553 01 | CONVEYOR COUPLING DRIVE PIN | 2   |
| 18                     | K0606020  | KEY                                    | 2   | 54   | 190552 01 | CONVEYOR ROLLER DRIVE DOG   | 2   |
| 19                     | 190023 01 | BELT SUPPORT                           | 1   | 55   | 191003 01 | DRIVE ROLLER (IDLE)         | 1   |
| 20                     | 190023 02 | BELT SUPPORT                           | 3   | 56   | BRG-3270  | BEARING                     | 2   |
| 21                     |           |  |     | 57   | SCW-4528  | SCREW                       | 4   |
| 22                     | 190022 02 | CONVEYOR BELT (2.4)                    | 1   | 58   | SCW-4530  | SCREW                       | 2   |
| 23                     | 190024 01 | ADJ. ARM                               | 2   | 59   | SCW-3696  | PAN HEAD SCREW              | 12  |
| 24                     | 190731 01 | ADJ. ARM                               | 2   | 60   | WSH-0056  | WASHER                      | 15  |
| 25                     | 190025 01 | MTG BRACKET                            | 2   | 61   | WSH-0009  | WASHER                      | 21  |
| 26                     | 190730 02 | TRACKING ARM LH                        | 1   | 62   | HSS-0088  | SCREW                       | 15  |
| 27                     | 190730 01 | TRACKING ARM RH                        | 1   | 63   | WSH-0058  | WASHER                      | 4   |
| 28                     | 190027 06 | TRACK ROD ASSY                         | 2   | 64   | HSS-0130  | SCREW                       | 2   |
| 29                     | 190027 03 | ADJ. BLOCK                             | 2   | 65   | PIN-1928  | PIN                         | 2   |
| 30                     | 190027 04 | BRG JOURNAL                            | 1   | 66   | NUT-0259  | NUT                         | 3   |
| 31                     | 190027 05 | BRG JOURNAL                            | 1   | 67   | 190018 12 | ROLLER ASSY (2.4M)          | 1   |
| 32                     |           |  |     | 68   | 190019 12 | ROLLER ADJ. SHAFT (2.4M)    | 1   |
| 33                     | 190029 01 | RETAINING WASHER                       | 2   | 69   | 190022 01 | CONVEYOR BELT (1.8M)        | 1   |
| 34                     | HSS-0140  | SCREW                                  | 2   | 70   | 190596 02 | STUB SHAFT CENTRE           | 2   |
| 35                     | SCW-0142  | SCREW                                  | 1   | 71   | 190596 01 | STUB SHAFT ENDS             | 2   |
| 36                     | HSS-0210  | SCREW                                  | 2   | 72   | 190596 03 | SPACER TUBE                 | 4   |
| 37                     | NUT-0167  | NUT                                    | 4   |      |           |                             |     |
| 38                     | WSH-0061  | WASHER                                 | 2   |      |           |                             |     |

CONVEYOR ASSEMBLY



CONVEYOR ASSEMBLY



Shelbourne Reynolds Engineering Limited

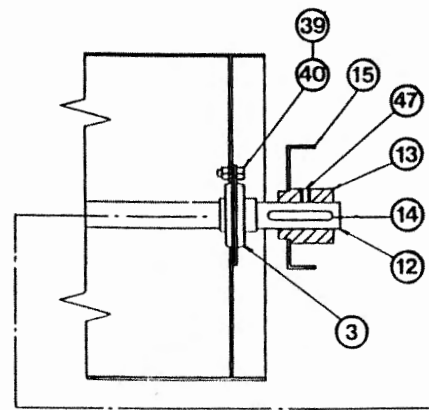
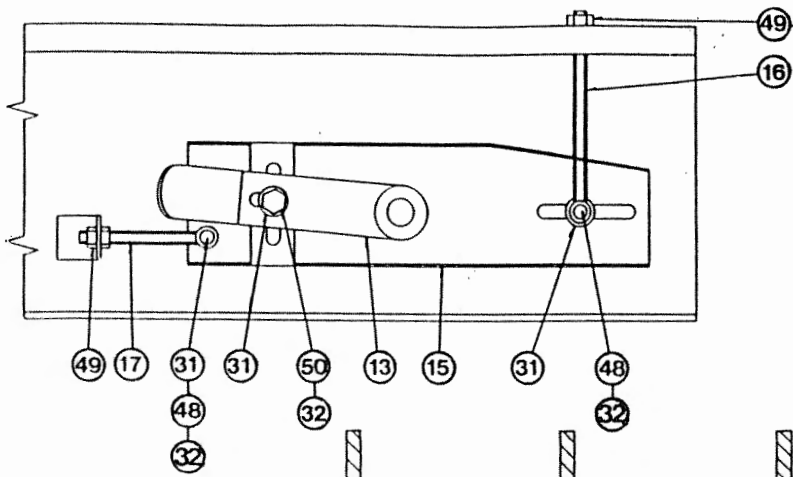


ASSY NUMBER: 196029 02

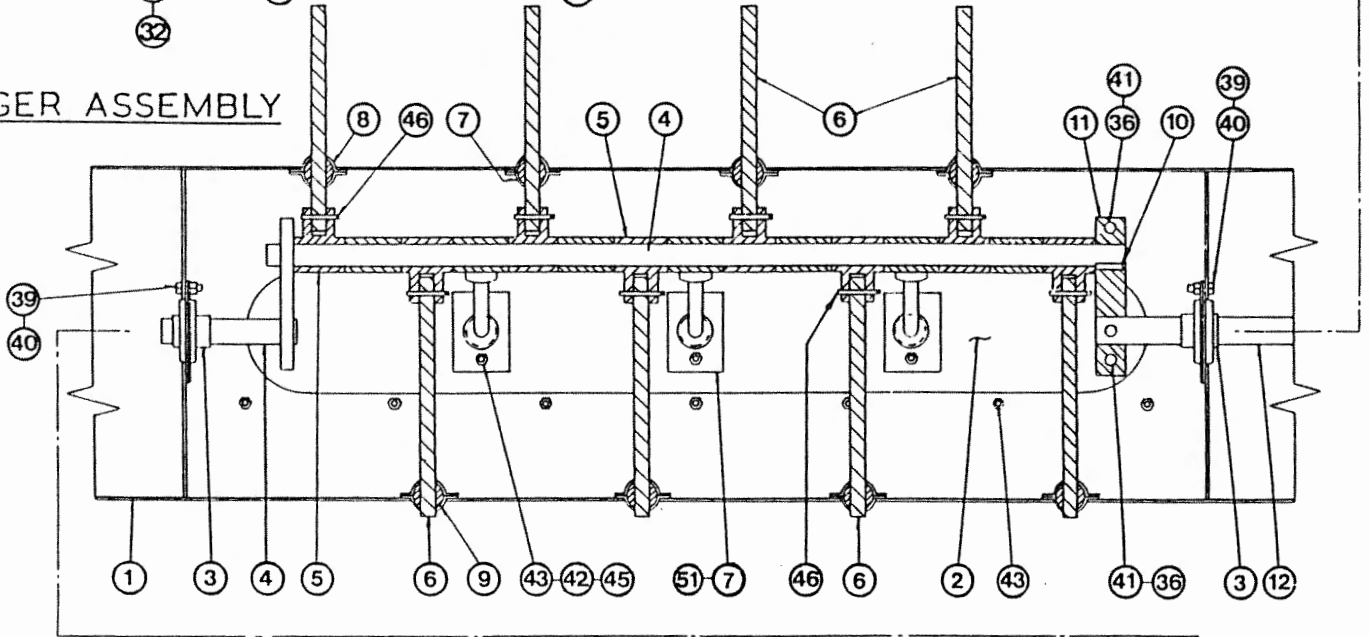
ASSY DESCRIPTION: AUGER 4.2M

| ITEM | PART NO   | DESCRIPTION          | QTY | ITEM | PART NO   | DESCRIPTION    | QTY |
|------|-----------|----------------------|-----|------|-----------|----------------|-----|
| 1    | 190014 01 | AUGER W A            | 1   | 39   | BLT-2135  | BOLT           | 9   |
| 2    | 190696 01 | COVER PLATE          | 1   | 40   | NUT-0263  | NYLOC NUT      | 6   |
| 3    | BRG-4160  | BEARING              | 3   | 41   | BLT-2197  | BOLT           | 9   |
| 4    | 190546 01 | AUGER CRANK          | 1   | 42   | SCW-4960  | SCREW          | 44  |
| 5    | 132010 01 | BUSH FOR FINGER      | 15  | 43   | 190735 01 | BLANKING PLATE | 1   |
| 6    | 190547 01 | FINGER               | 14  | 44   | NUT-0260  | NYLOC NUT      | 30  |
| 7    | 132011    | FINGER PLATE CONCAVE | 14  | 45   | WSH-0056  | SPRING WASHER  | 14  |
| 8    | 132012    | FINGER PLATE CONVEX  | 14  | 46   | PIN-1167  | SPLIT PIN      | 14  |
| 9    | 132013    | FINGER GUIDE         | 14  | 47   | SCW-4530  | SCREW          | 2   |
| 10   | 131095 03 | KEY                  | 1   | 48   | BLT-3812  | BOLT           | 4   |
| 11   | 190545 01 | AUGER CLAMP          | 1   | 49   | NUT-0170  | NUT            | 8   |
| 12   | 190015 01 | AUGER SHAFT          | 1   | 50   | BLT-2240  | BOLT           | 1   |
| 13   | 190208    | FINGER ADJUSTER      | 1   | 51   | 190728    | FINGER SHIM    | 14  |
| 14   | K0807060  | KEY                  | 1   | 52   | SCW-1975  | SCREW)         | 4   |
| 15   | 191005 02 | AUGER ADJUSTER RH    | 1   | 53   | 131024 05 | SPROCKET       | 1   |
| 16   | 190585 06 | VERTICAL ADJUSTER    | 2   | 54   | WSH-0009  | WASHER         | 14  |
| 17   | 190585 04 | HORIZONTAL ADJUSTER  | 2   | 55   | WSH-0018  | WASHER         | 6   |
| 18   | 132018 02 | AUGER DRIVE SHAFT    | 1   | 56   | PIN-1150  | SPLIT PIN      | 1   |
| 19   | BRG-0240  | BEARING              | 1   |      |           |                |     |
| 20   | 191005 01 | AUGER ADJUSTER LH    | 1   |      |           |                |     |
| 21   | 132022 01 | SPACER               | 1   |      |           |                |     |
| 22   | 131025    | HUB                  | 1   |      |           |                |     |
| 23   | 131005    | CLUTCH PLATE         | 2   |      |           |                |     |
| 24   | 131005 01 | DRIVE PLATE          | 1   |      |           |                |     |
| 25   | 131024 01 | SPROCKET             | 1   |      |           |                |     |
| 26   | 131063    | SPRING               | 4   |      |           |                |     |
| 27   | 131073 01 | SPACER               | 4   |      |           |                |     |
| 28   | K0807050  | KEY                  | 1   |      |           |                |     |
| 29   | 191006 01 | SPACER               | 4   |      |           |                |     |
| 30   | BLT-2273  | BOLT                 | 4   |      |           |                |     |
| 31   | 124048 01 | WASHER               | 4   |      |           |                |     |
| 32   | NUT-0269  | NYLOC NUT            | 13  |      |           |                |     |
| 33   | NUT-0580  | NUT                  | 1   |      |           |                |     |
| 34   | WSH-0030  | WASHER               | 1   |      |           |                |     |
| 35   | HSS-0191  | SETSCREW             | 3   |      |           |                |     |
| 36   | NUT-0265  | NYLOC NUT            | 6   |      |           |                |     |
| 37   | BLT-2243  | BOLT                 | 4   |      |           |                |     |
| 38   | WSH-0065  | WASHER               | 4   |      |           |                |     |

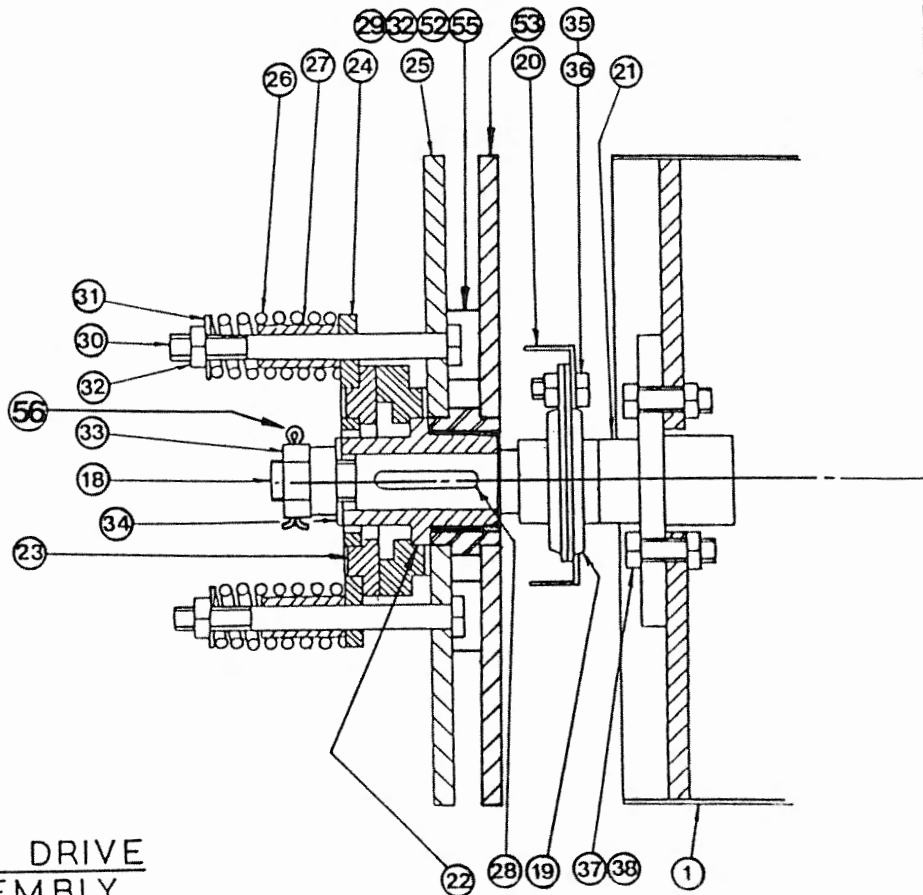




AUGER ASSEMBLY



AUGER DRIVE ASSEMBLY





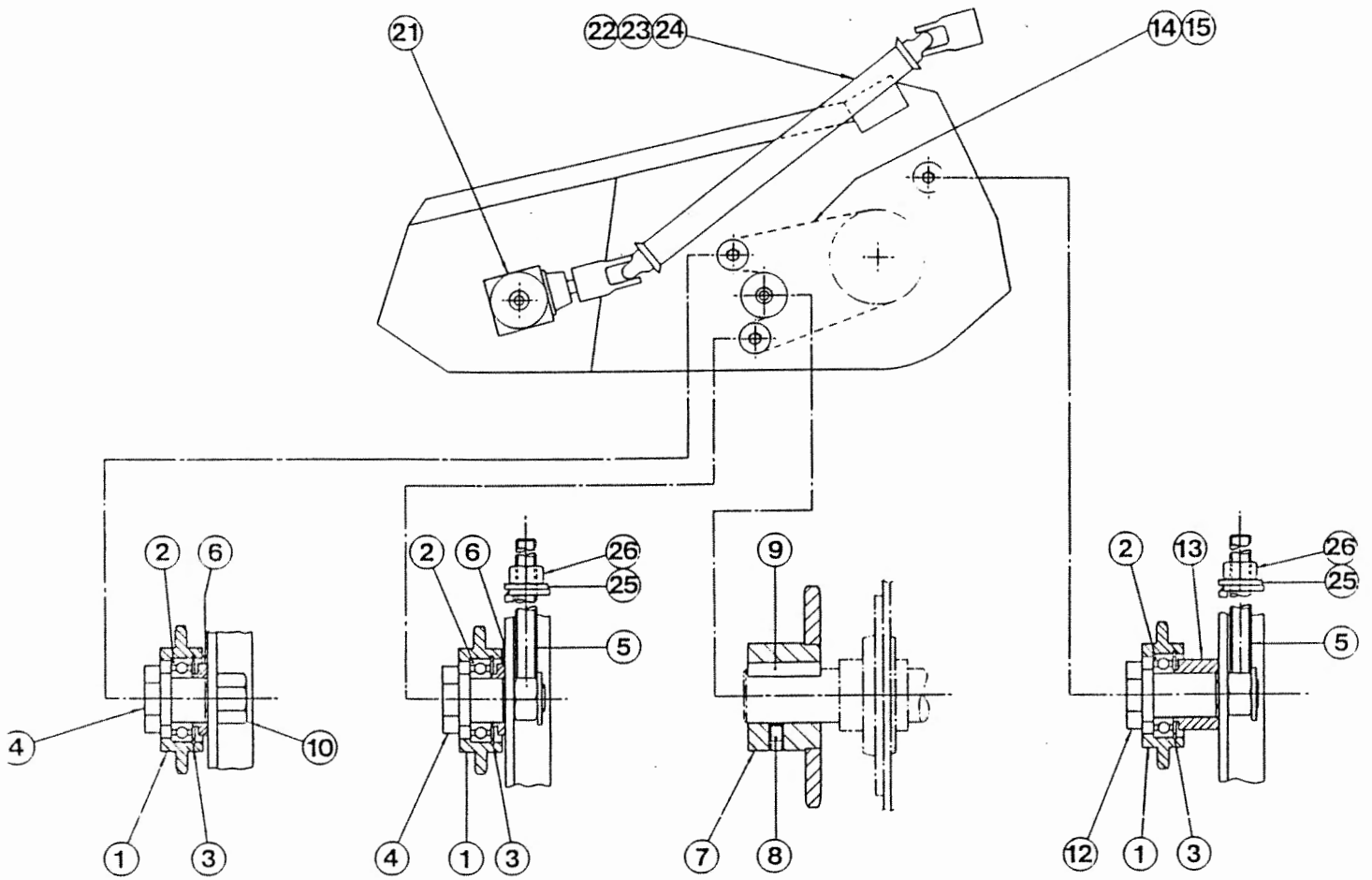
Shelbourne Reynolds Engineering Limited



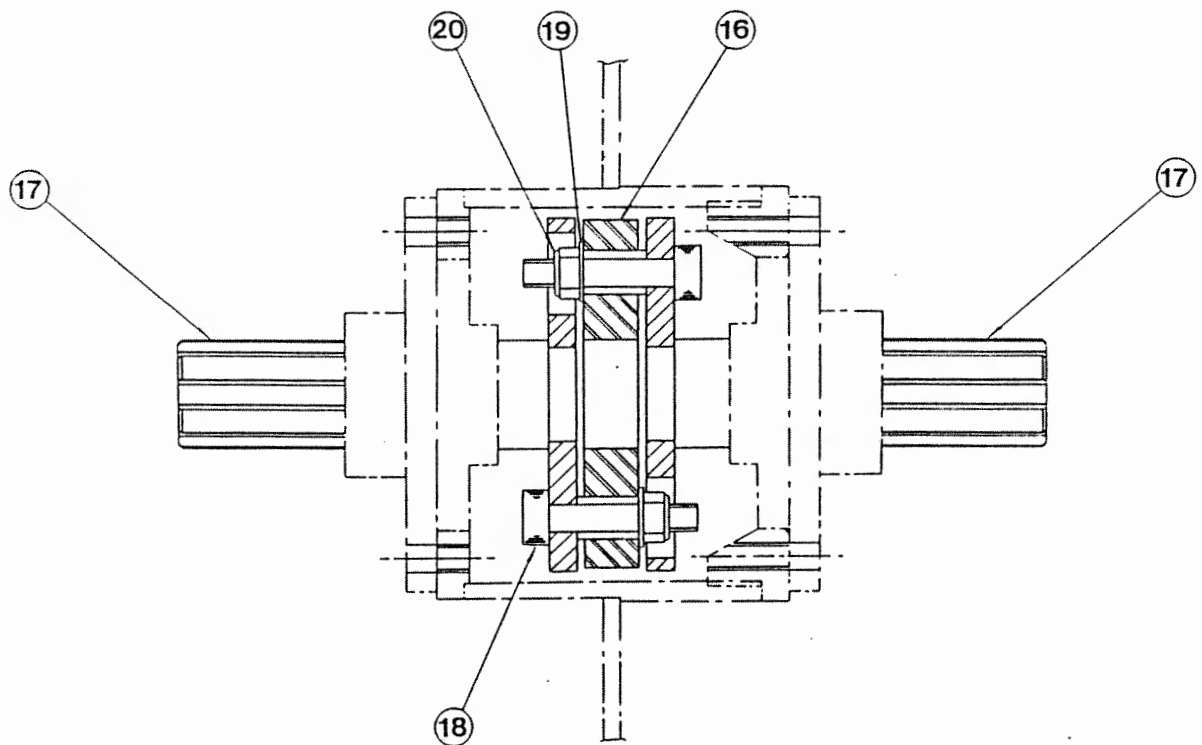
ASSY NUMBER: 196030 01

ASSY DESCRIPTION: DRIVE COMPONENTS C. T. MKII MULTI PLATE

| ITEM | PART NO   | DESCRIPTION   | QTY | ITEM | PART NO  | DESCRIPTION               | QTY |
|------|-----------|---|-----|------|----------|---------------------------|-----|
| 1    | 131014 01 | SPROCKET IDLER  | 3   | 27   | GEA-0080 | SIX SPEED GEARBOX ASSY    | 1   |
| 2    | BRG-1995  | BEARING   | 3   |      |          | (SEE PARTS LIST GEA-0080) |     |
| 3    | CIR-0470  | CIRCLIP   | 3   |      |          |                           |     |
| 4    | 190060 06 | CONVEYOR IDLER SPINDLE  | 2   |      |          |                           |     |
| 5    | 191039 01 | IDLER ADJ SCREW   | 2   |      |          |                           |     |
| 6    | 191040 01 | CONVEYOR IDLER SPACER   | 2   |      |          |                           |     |
| 7    | 190057 01 | CONVEYOR SPROCKET   | 1   |      |          |                           |     |
| 8    | SCW-4535  | SCREW   | 2   |      |          |                           |     |
| 9    | K1008150  | KEY   | 1   |      |          |                           |     |
| 10   | NUT-0271  | NUT   | 1   |      |          |                           |     |
| 11   |           |   |     |      |          |                           |     |
| 12   | 190060 07 | AUGER IDLER SPINDLE   | 1   |      |          |                           |     |
| 13   | 191040 02 | AUGER SPACER  | 1   |      |          |                           |     |
| 14   | CHN-0020  | CHAIN   | 1   |      |          |                           |     |
| 15   | CHN-0111  | JOINER  | 1   |      |          |                           |     |
| 16   | COU-0180  | FLEXIBLE COUPLING   | 1   |      |          |                           |     |
| 17   | 190761 01 | HUB AND SHAFT   | 2   |      |          |                           |     |
| 18   | SCW-0201  | SCREW   | 6   |      |          |                           |     |
| 19   | WSH-0015  | WASHER  | 6   |      |          |                           |     |
| 20   | NUT-0265  | LOCKNUT   | 6   |      |          |                           |     |
| 21   | GEA-0090  | BEVEL GEARBOX (SEE PARTS LIST GEA-0090)   | 1   |      |          |                           |     |
| 22   | PTO-09001 | POWER SHAFT - 3.6M W2400 SERIES, CC630, OVERUN CLUTCH & 800NM TORQUE LIMITER, TUBE 1B2a NO GUARDS                 | 1   |      |          |                           |     |
| 23   | PTO-09002 | POWER SHAFT - 4.2M, 4.8M 5.4M & 6.0M (W2400 SERIES CC630, OVERUN CLUTCH & SHEAR BOLT CLUTCH, TUBE 1B2a NO GUARDS) | 1   |      |          |                           |     |
| 23A  | 191392 01 | SHEAR BOLT 4.2 & 4.8M 1000NM  | 1   |      |          |                           |     |
| 23B  | BLT-2115  | SHEAR BOLT 5.4 & 6.0M 1200NM  | 1   |      |          |                           |     |
| 23C  | NUT-0162  | NUT   | 1   |      |          |                           |     |
| 24   |           |   |     |      |          |                           |     |
| 25   | WSH-0018  | WASHER  | 2   |      |          |                           |     |
| 26   | NUT-0170  | NUT   | 2   |      |          |                           |     |



DRIVE COMPONENTS



DRIVE COMPONENTS

NOTE - TORQUE ITEMS 24 & 26 TO 77 N/M



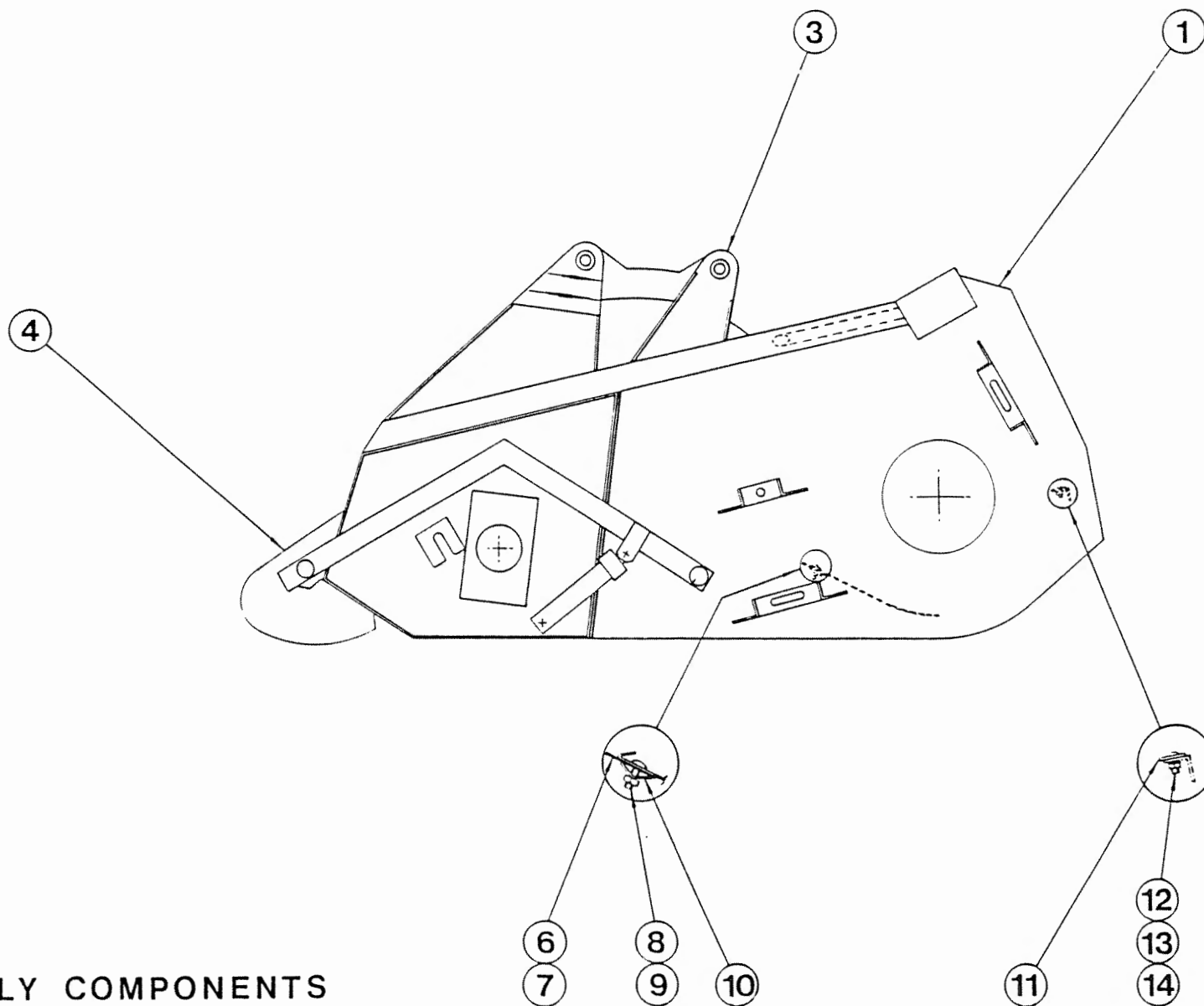
Shelbourne Reynolds Engineering Limited



ASSY NUMBER: 196031 03

ASSY DESCRIPTION: MKII 4.2M ASSY COMPONENTS

| ITEM | PART NO   | DESCRIPTION             | QTY | ITEM | PART NO | DESCRIPTION | QTY |
|------|-----------|-------------------------|-----|------|---------|-------------|-----|
| 1    | 191041    | FRAME ASSY              | 1   |      |         |             |     |
| 2    | 191042    | FRAME ASSY              |     |      |         |             |     |
| 3    | 190490 01 | COWL ASSY               | 1   |      |         |             |     |
| 4    | 190497 01 | ADJUSTER CROP DEFLECTOR | 1   |      |         |             |     |
| 5    |           |                         |     |      |         |             |     |
| 6    | 190590 02 | RUBBER SEAL             | 1   |      |         |             |     |
| 7    | 190590 03 | RUBBER SEAL             | 1   |      |         |             |     |
| 8    | NUT-0260  | NUT                     | 28  |      |         |             |     |
| 9    | SCW-3696  | SCREW                   | 28  |      |         |             |     |
| 10   | 190590 01 | CLAMP STRIP             | 7   |      |         |             |     |
| 11   | 191034 09 | STRIPPER PLATE          | 2   |      |         |             |     |
| 12   | BLT-4710  | BOLT                    | 14  |      |         |             |     |
| 13   | NUT-0263  | NUT                     | 14  |      |         |             |     |
| 14   | WSH-0012  | WASHER                  | 14  |      |         |             |     |



ASSEMBLY COMPONENTS



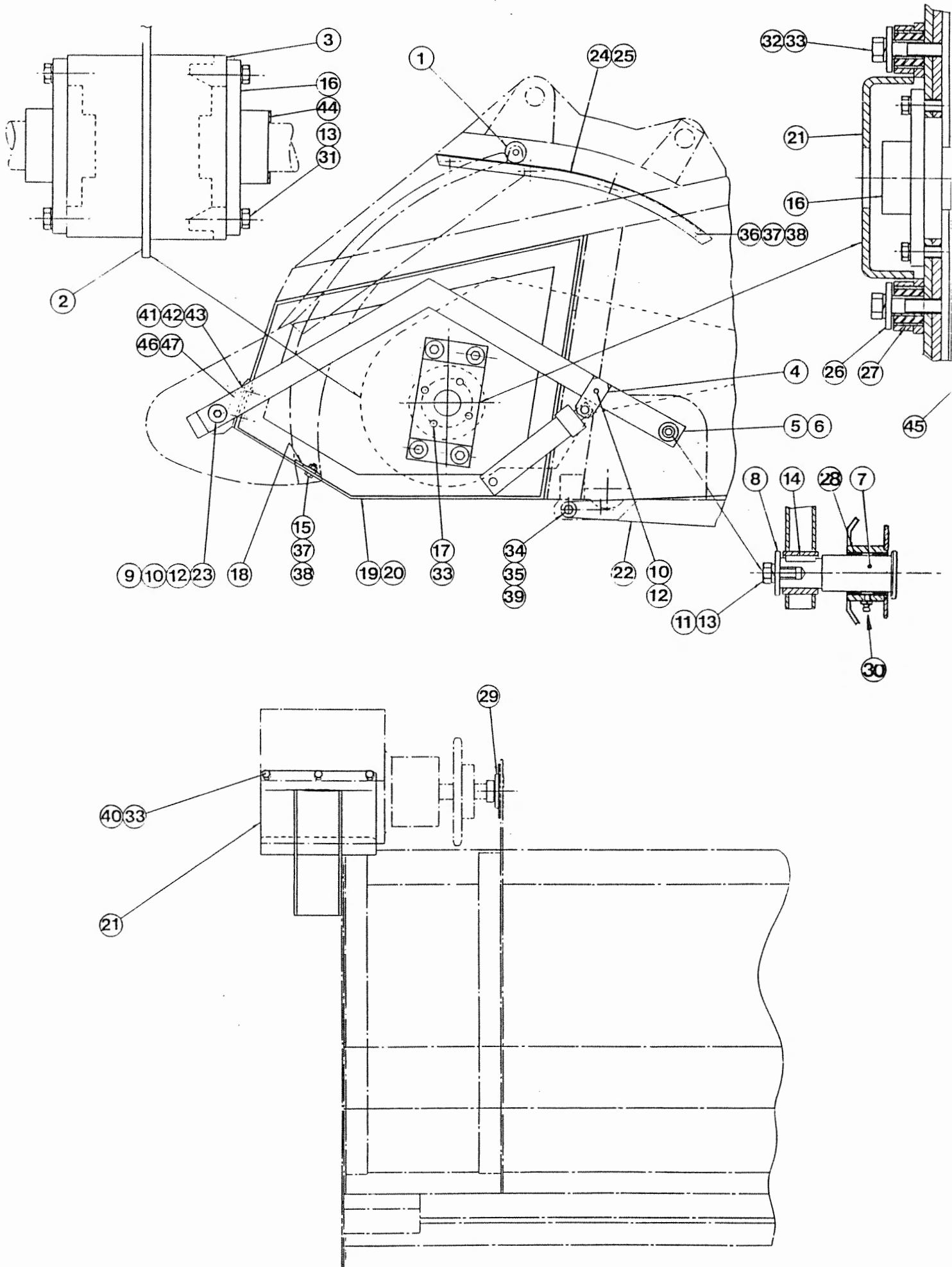
Shelbourne Reynolds Engineering Limited



ASSY NUMBER: 196032 01

ASSY DESCRIPTION: ASSY PARTS MKII CT MULTI PLATE 4.8M & DOWN

| ITEM | PART NO   | DESCRIPTION             | QTY | ITEM | PART NO   | DESCRIPTION           | QTY |
|------|-----------|-------------------------|-----|------|-----------|-----------------------|-----|
| 1    | 191611    | BEARING ASSY            | 2   | 39   | WSH-0070  | WASHER                | 8   |
| 2    | 190468 01 | UPPER DIVISION PLATE    | 1   | 40   | HSS-0238  | SCREW                 | 6   |
| 3    | 190472 01 | ROTOR FLANGE PLATE      | 1   | 41   | HSS-0194  | SCREW                 | 7   |
| 4    | 190050    | HYD RAM TOP PIN & BRKT  | 2   | 42   | WSH-1515  | WASHER                | 14  |
| 5    | 190790 01 | LEVER ARM ASSY RH       | 1   | 43   | NUT-0265  | NUT                   | 7   |
| 6    | 190790 02 | LEVER ARM ASSY LH       | 1   | 44   | 190845    | ROTOR SPACER          | 2   |
| 7    | 191262 01 | PIVOT PIN               | 2   | 45   | 190896    | ROTOR SPACER          | 2   |
| 8    | 190052 01 | RETAINING WASHER        | 2   | 46   | 190917 01 | ADJUSTER COWL STOP LH | 1   |
| 9    | BSH-3030  | BEARING                 | 2   | 47   | 190917 02 | ADJUSTER COWL STOP RH | 1   |
| 10   | HSS-0140  | SET SCREW               | 4   | 48   | 191324 01 | CLAMP STRIP           | 2   |
| 11   | HSS-0188  | SET SCREW               | 2   | 49   | 191325 01 | RUBBER SEAL           | 2   |
| 12   | WSH-0058  | WASHER                  | 4   | 50   | POP-0006  | POP RIVET             | 12  |
| 13   | WSH-0061  | WASHER                  | 18  | 51   | 191592 01 | WEAR PLATE            | 2   |
| 14   | K0807025  | KEY                     | 2   | 52   | SCW-1955  | SCREW                 | 4   |
| 15   | HSS-0145  | SCREW                   | 2   | 53   | NUT-0269  | NUT                   | 4   |
| 16   | BRG-0250  | BEARING                 | 4   | 54   | WSH-0018  | WASHER                | 4   |
| 17   | HSS-0232  | SCREW                   | 4   | 55   | SCW-4530  | GRUBSCREW             | 1   |
| 18   | 190478 01 | DIVIDER HEIGHT ADJUSTER | 2   |      |           |                       |     |
| 19   | 190803 13 | SIDE FRAME RH           | 1   |      |           |                       |     |
| 20   | 190803 14 | SIDE FRAME LH           | 1   |      |           |                       |     |
| 21   | 191086 01 | GEARBOX BRACKET         | 1   |      |           |                       |     |
| 22   | 190332 01 | SKID ASSY               | 2   |      |           |                       |     |
| 23   | 190119 05 | WASHER                  | 2   |      |           |                       |     |
| 24   | 190449 01 | RUNNER ASSY RH          | 1   |      |           |                       |     |
| 25   | 190499 02 | RUNNER ASSY LH          | 1   |      |           |                       |     |
| 26   | 190119 04 | GEARBOX MTG WASHER      | 4   |      |           |                       |     |
| 27   | BSH-1530  | BUSH                    | 4   |      |           |                       |     |
| 28   | BSH-3070  | BUSH                    | 4   |      |           |                       |     |
| 29   | BRG-2020  | BEARING                 | 1   |      |           |                       |     |
| 30   | NIP-0051  | NIPPLE                  | 2   |      |           |                       |     |
| 31   | HSS-0191  | SCREW                   | 16  |      |           |                       |     |
| 32   | BLT-2247  | BOLT                    | 4   |      |           |                       |     |
| 33   | WSH-0065  | WASHER                  | 14  |      |           |                       |     |
| 34   | HSS-0315  | BOLT                    | 8   |      |           |                       |     |
| 35   | WSH-0024  | WASHER                  | 8   |      |           |                       |     |
| 36   | HSS-0140  | SCREW                   | 8   |      |           |                       |     |
| 37   | NUT-0260  | NUT                     | 10  |      |           |                       |     |
| 38   | WSH-0012  | WASHER                  | 12  |      |           |                       |     |



ASSEMBLY PARTS



## Shelbourne Reynolds Engineering Limited

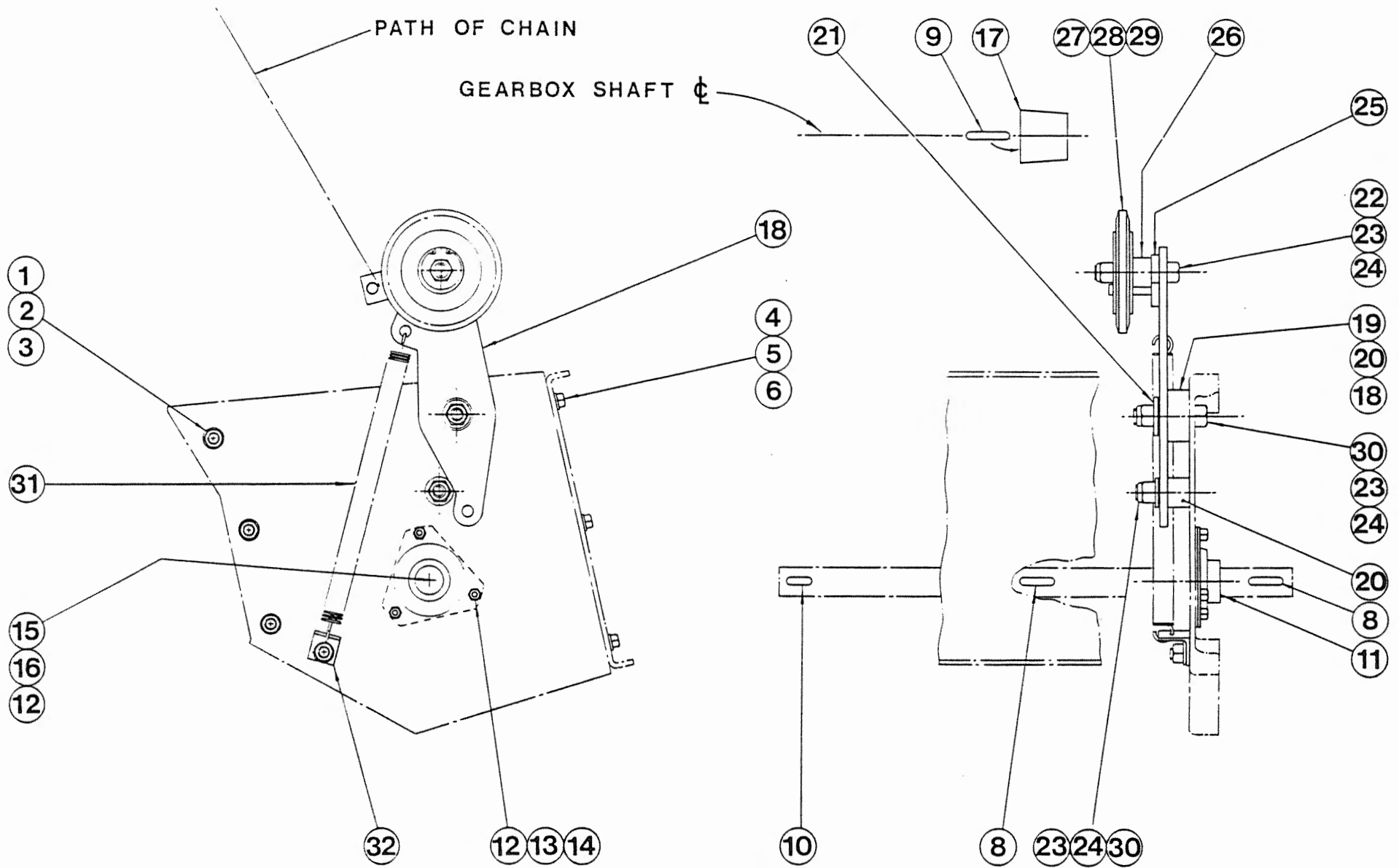


ASSY NUMBER: 196034 01

ASSY DESCRIPTION: DRIVE KIT (UNIVERSAL)

| ITEM | PART NO   | DESCRIPTION            | QTY | ITEM | PART NO | DESCRIPTION | QTY |
|------|-----------|------------------------|-----|------|---------|-------------|-----|
| 1    | HSS-0238  | BOLT                   | 6   |      |         |             |     |
| 2    | NUT-0170  | NUT                    | 6   |      |         |             |     |
| 3    | WSH-0065  | WASHER                 | 6   |      |         |             |     |
| 4    | HSS-0140  | BOLT                   | 6   |      |         |             |     |
| 5    | NUT-0164  | NUT                    | 6   |      |         |             |     |
| 6    | WSH-0058  | WASHER                 | 6   |      |         |             |     |
| 7    |           |                        |     |      |         |             |     |
| 8    | K1008050  | KEY                    | 2   |      |         |             |     |
| 9    | K1008045  | KEY                    | 1   |      |         |             |     |
| 10   | K1008025  | KEY                    | 1   |      |         |             |     |
| 11   | BRG-3220  | BEARING                | 2   |      |         |             |     |
| 12   | HSS-0191  | BOLT                   | 7   |      |         |             |     |
| 13   | NUT-0265  | NUT                    | 6   |      |         |             |     |
| 14   | WSH-0015  | FLAT WASHER            | 6   |      |         |             |     |
| 15   | 190548 01 | RETAINING WASHER       | 1   |      |         |             |     |
| 16   | WSH-0061  | WASHER                 | 1   |      |         |             |     |
| 17   | BSH-2268  | TAPER LOCK BUSH        | 2   |      |         |             |     |
| 18   | 191112 01 | IDLER SUPPORT          | 1   |      |         |             |     |
| 19   | BSH-3030  | BUSH                   | 1   |      |         |             |     |
| 20   | 191106 01 | BUSH                   | 2   |      |         |             |     |
| 21   | 190119 07 | RETAINING WASHER       | 1   |      |         |             |     |
| 22   | BLT-2316  | BOLT                   | 1   |      |         |             |     |
| 23   | WSH-0024  | WASHER                 | 3   |      |         |             |     |
| 24   | NUT-0271  | NUT                    | 3   |      |         |             |     |
| 25   | 191111 01 | CHAIN KEEP             | 1   |      |         |             |     |
| 26   | 191113 01 | IDLER SPACER           | 1   |      |         |             |     |
| 27   | 191117 01 | IDLER SPROCKET         | 1   |      |         |             |     |
| 28   | BRG-1995  | BEARING                | 1   |      |         |             |     |
| 29   | CIR-0470  | CIRCLIP                | 1   |      |         |             |     |
| 30   | BLT-2312  | BOLT                   | 2   |      |         |             |     |
| 31   | SPG-0050  | SPRING                 | 1   |      |         |             |     |
| 32   | 191122 01 | SPRING TENSIONING BRKT | 1   |      |         |             |     |





DRIVE KIT (UNIVERSAL)



Shelbourne Reynolds Engineering Limited



ASSY NUMBER: 196035 03

ASSY DESCRIPTION: HYDRAULICS (4.2M)

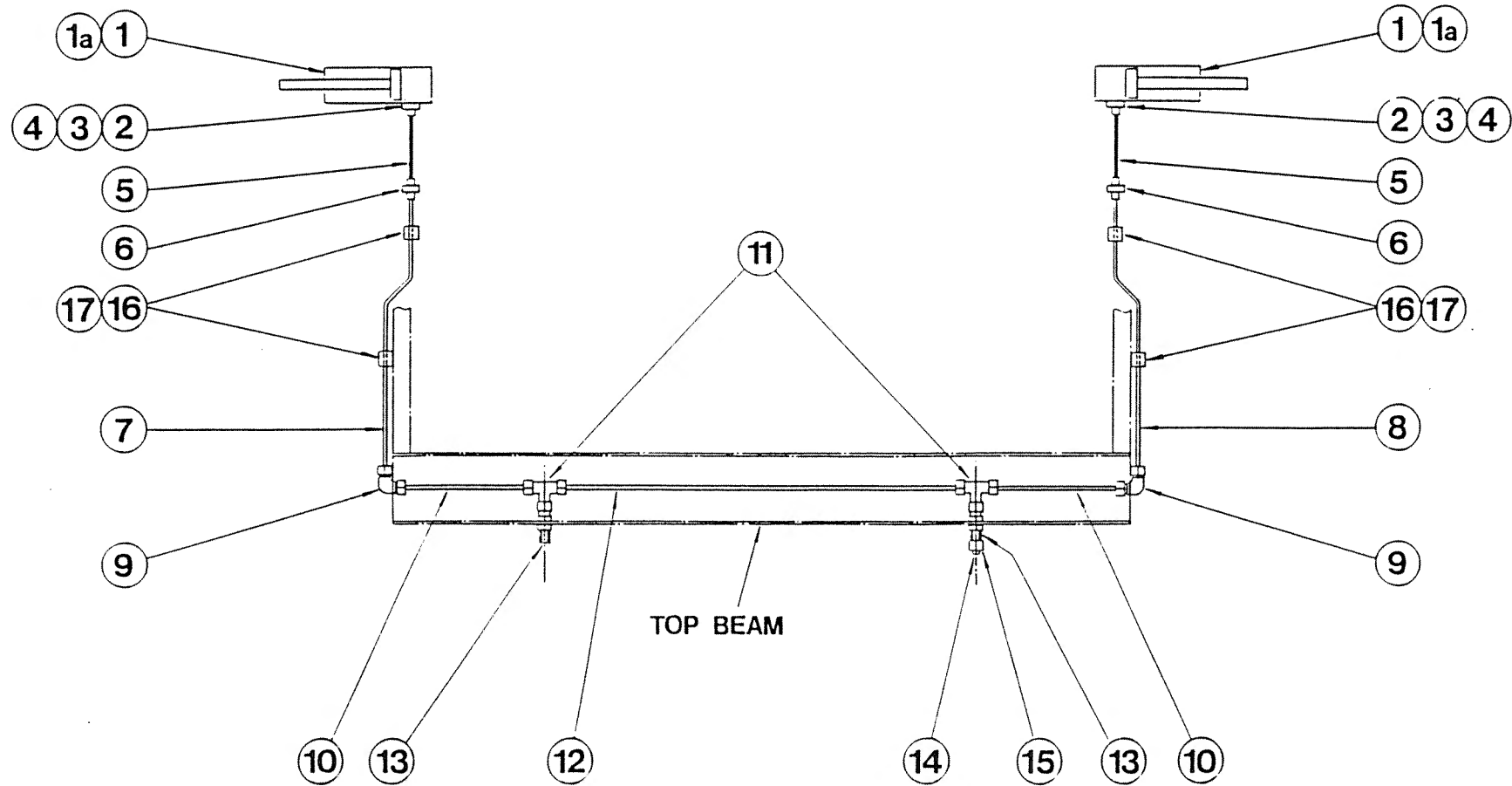
| ITEM | PART NO   | DESCRIPTION       | QTY | ITEM | PART NO | DESCRIPTION | QTY |
|------|-----------|-------------------|-----|------|---------|-------------|-----|
| 1    | 190030 01 | HYDRAULIC RAM     | 2   |      |         |             |     |
| 1A   | SEA-0280  | SEAL KIT          |     |      |         |             |     |
| 2    | 190859 01 | HYDRAULIC FITTING | 2   |      |         |             |     |
| 3    | 190859 02 | RESTRICTOR        | 2   |      |         |             |     |
| 4    | WSH-1010  | DOWTY WASHER      | 2   |      |         |             |     |
| 5    | 2528 135  | HOSE              | 2   |      |         |             |     |
| 6    | FIT-0047  | HYDRAULIC FITTING | 2   |      |         |             |     |
| 7    | 191173 01 | STEEL PIPE LH     | 1   |      |         |             |     |
| 8    | 191173 02 | STEEL PIPE RH     | 1   |      |         |             |     |
| 9    | FIT-0214  | HYD. FITTING      | 2   |      |         |             |     |
| 10   | RP-100910 | STEEL PIPE        | 2   |      |         |             |     |
| 11   | FIT-0212  | HYD FITTING       | 2   |      |         |             |     |
| 12   | RP-102439 | STEEL PIPE        | 1   |      |         |             |     |
| 13   | FIT-0213  | HYD FITTING       | 2   |      |         |             |     |
| 14   | FIT-0215  | HYD FITTING       | 1   |      |         |             |     |
| 15   | FIT-0051  | NUT               | 1   |      |         |             |     |
| 16   | FIT-1000  | PETA CLAMPS       | 4   |      |         |             |     |
| 17   | SCW-0086  | SCREW             | 8   |      |         |             |     |

L.H.

== RIGID STEEL PIPE.

— FLEXIBLE HOSE.

R.H.



**NOTE;**  
**SEE RELEVANT ADAPTOR PLATE ASS'Y FOR THE TYPE OF QUICK**  
**RELEASE FITTING TO CONNECT WITH ITEM 13.**

HYDRAULICS.





Shelbourne Reynolds Engineering Limited



ASSY NUMBER: 196036 01

ASSY DESCRIPTION: EMBLEMS & GUARDS

| ITEM | PART NO   | DESCRIPTION               | QTY | ITEM | PART NO  | DESCRIPTION           | QTY |
|------|-----------|---------------------------|-----|------|----------|-----------------------|-----|
| 1    | 190848 01 | EMBLEM                    | 1   | 34   | HSS-0084 | SCREW                 | 3   |
| 2    | 190848 02 | EMBLEM                    | 1   | 35   | NUT-0260 | NUT                   | 2   |
| 3    | 127075 10 | EMBLEM                    | 1   | 36   | WSH-0009 | WASHER                | 8   |
| 4    | 127075 12 | EMBLEM                    | 6   | 37   | PIN-1088 | SPLIT PIN             | 1   |
| 5    | 190848 03 | EMBLEM                    | 1   | 38   | RUB-0151 | RUBBER TOGGLE (LARGE) | 2   |
| 6    | 190702 01 | EMBLEM                    | 1   | 39   | RUB-0154 | HINGE PIN (LARGE)     | 2   |
| 7    | 190702 03 | EMBLEM                    | 2   | 40   | RUB-0161 | RUBBER TOGGLE (SMALL) | 2   |
| 8    | 190702 02 | EMBLEM                    | 4   | 41   | RUB-0164 | HINGE PIN (SMALL)     | 2   |
| 9    | 190702 04 | EMBLEM                    | 4   | 42   | SCW-4700 | SCREW                 | 1   |
| 10   | 190848 06 | EMBLEM                    | 1   | 43   | HSS-0086 | SCREW                 | 2   |
| 11   | 190848 04 | SRE EMBLEM                | 1   | 44   | WSH-0056 | WASHER                | 4   |
| 12a  | 190847 01 | EMBLEM (3.0M)             | 1   | 45   | WSH-0058 | WASHER                | 3   |
| 12b  | 190847 02 | EMBLEM (3.6M)             | 1   |      |          |                       |     |
| 12c  | 190847 03 | EMBLEM (4.2M)             | 1   |      |          |                       |     |
| 12d  | 190847 04 | EMBLEM (4.8M)             | 1   |      |          |                       |     |
| 12e  | 190847 05 | EMBLEM (6.0M)             | 1   |      |          |                       |     |
| 12f  | 190847 06 | EMBLEM (5.4M)             | 1   |      |          |                       |     |
| 13   | 190849 01 | EMBLEM (WARNING)          | 1   |      |          |                       |     |
| 14   | 190848 05 | EMBLEM (CAB)              | 1   |      |          |                       |     |
| 15   |           |                           |     |      |          |                       |     |
| 16   |           |                           |     |      |          |                       |     |
| 17   | 191359 01 | IDENTIFICATION PLATE      | 1   |      |          |                       |     |
| 18   | POP-0006  | RIVET                     | 4   |      |          |                       |     |
| 19   |           |                           |     |      |          |                       |     |
| 20   | 191366 01 | SIDE DEFLECTOR LH         | 1   |      |          |                       |     |
| 21   | 191353 01 | DRIVE GUARD TOP PLATE     | 1   |      |          |                       |     |
| 22   | 191200 01 | DRIVE GUARD SUPPORT PLATE | 1   |      |          |                       |     |
| 23   | 191368 01 | SIDE DEFLECTOR RH         | 1   |      |          |                       |     |
| 24   | 191202 01 | TOP COVER RH              | 1   |      |          |                       |     |
| 25   | 191360 01 | TOP COVER RH              | 1   |      |          |                       |     |
| 26   | BLT-2165  | BOLT                      | 4   |      |          |                       |     |
| 27   | NUT-0263  | NUT                       | 12  |      |          |                       |     |
| 28   | HSS-0140  | SCREW                     | 8   |      |          |                       |     |
| 29   | WSH-0012  | WASHER                    | 20  |      |          |                       |     |
| 30   | 191355 01 | COVER                     | 1   |      |          |                       |     |
| 31   | 191352 01 | FRONT DEFLECTOR LH        | 1   |      |          |                       |     |
| 32   | 191370 01 | GUARD STAY                | 1   |      |          |                       |     |
| 33   | HSS-0135  | SCREW                     | 3   |      |          |                       |     |



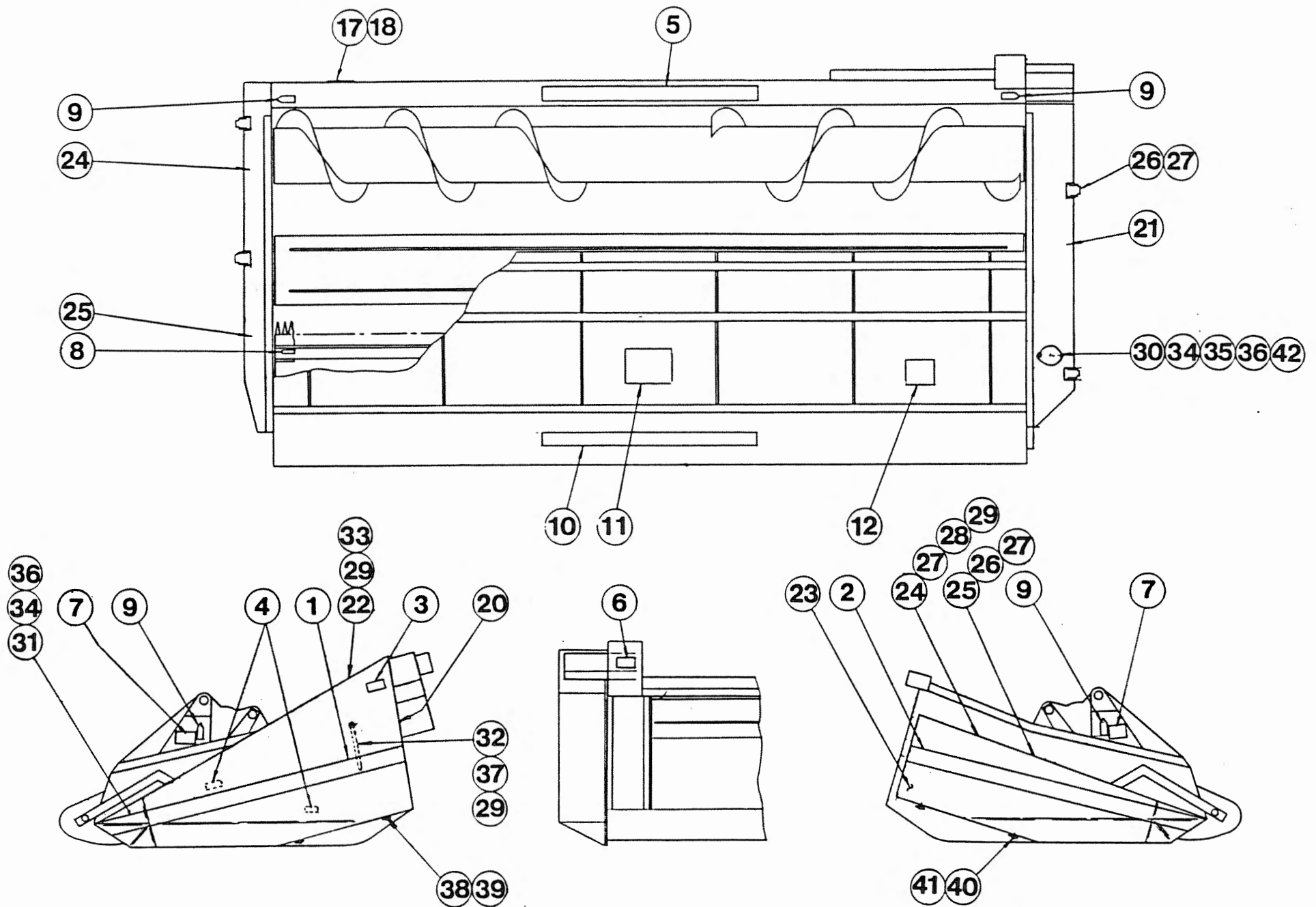
Shelbourne Reynolds Engineering Limited



ASSY NUMBER: 196036 02

ASSY DESCRIPTION: EMBLEMS & GUARDS WITH WEAR STRIPS

| ITEM | PART NO   | DESCRIPTION               | QTY | ITEM | PART NO   | DESCRIPTION           | QTY |
|------|-----------|---------------------------|-----|------|-----------|-----------------------|-----|
| 1    | 190848 01 | EMBLEM                    | 1   | 34   | HSS-0084  | SCREW                 | 3   |
| 2    | 190848 02 | EMBLEM                    | 1   | 35   | NUT-0260  | NUT                   | 2   |
| 3    | 127075 10 | EMBLEM                    | 1   | 36   | WSH-0009  | WASHER                | 8   |
| 4    | 127075 12 | EMBLEM                    | 6   | 37   | PIN-1088  | SPLIT PIN             | 1   |
| 5    | 190848 03 | EMBLEM                    | 1   | 38   | RUB-0151  | RUBBER TOGGLE (LARGE) | 2   |
| 6    | 190702 01 | EMBLEM                    | 1   | 39   | RUB-0154  | HINGE PIN (LARGE)     | 2   |
| 7    | 190702 03 | EMBLEM                    | 2   | 40   | RUB-0161  | RUBBER TOGGLE (SMALL) | 2   |
| 8    | 190702 02 | EMBLEM                    | 4   | 41   | RUB-0164  | HINGE PIN (SMALL)     | 2   |
| 9    | 190702 04 | EMBLEM                    | 4   | 42   | SCW-4700  | SCREW                 | 1   |
| 10   | 190848 06 | EMBLEM                    | 1   | 43   | HSS-0086  | SCREW                 | 2   |
| 11   | 190848 04 | SRE EMBLEM                | 1   | 44   | WSH-0056  | WASHER                | 4   |
| 12a  | 190847 01 | EMBLEM (3.0M)             | 1   | 45   | WSH-0058  | WASHER                | 3   |
| 12b  | 190847 02 | EMBLEM (3.6M)             | 1   | 46   | 191605 01 | GUARD WEAR STRIP LH   | 1   |
| 12c  | 190847 03 | EMBLEM (4.2M)             | 1   | 47   | 191606 01 | GUARD WEAR STRIP LH   | 1   |
| 12d  | 190847 04 | EMBLEM (4.8M)             | 1   | 48   | 191607 01 | GUARD WEAR STRIP LH   | 1   |
| 12e  | 190847 05 | EMBLEM (6.0M)             | 1   | 49   | 191608 01 | GUARD WEAR STRIP LH   | 1   |
| 12f  | 190847 06 | EMBLEM (5.4M)             | 1   | 50   | 191612 01 | GUARD WEAR STRIP RH   | 1   |
| 13   | 190849 01 | EMBLEM (WARNING)          | 1   | 51   | 191613 01 | GUARD WEAR STRIP RH   | 1   |
| 14   | 190848 05 | EMBLEM (CAB)              | 1   | 52   | POP-0006  | POP RIVET             | 48  |
| 15   |           |                           |     |      |           |                       |     |
| 16   |           |                           |     |      |           |                       |     |
| 17   | 191359 01 | IDENTIFICATION PLATE      | 1   |      |           |                       |     |
| 18   | POP-0006  | RIVET                     | 4   |      |           |                       |     |
| 19   |           |                           |     |      |           |                       |     |
| 20   | 191366 01 | SIDE DEFLECTOR LH         | 1   |      |           |                       |     |
| 21   | 191353 01 | DRIVE GUARD TOP PLATE     | 1   |      |           |                       |     |
| 22   | 191200 01 | DRIVE GUARD SUPPORT PLATE | 1   |      |           |                       |     |
| 23   | 191368 01 | SIDE DEFLECTOR RH         | 1   |      |           |                       |     |
| 24   | 191202 01 | TOP COVER RH              | 1   |      |           |                       |     |
| 25   | 191360 01 | TOP COVER RH              | 1   |      |           |                       |     |
| 26   | BLT-2165  | BOLT                      | 4   |      |           |                       |     |
| 27   | NUT-0263  | NUT                       | 12  |      |           |                       |     |
| 28   | HSS-0140  | SCREW                     | 8   |      |           |                       |     |
| 29   | WSH-0012  | WASHER                    | 20  |      |           |                       |     |
| 30   | 191355 01 | COVER                     | 1   |      |           |                       |     |
| 31   | 191352 01 | FRONT DEFLECTOR LH        | 1   |      |           |                       |     |
| 32   | 191370 01 | GUARD STAY                | 1   |      |           |                       |     |
| 33   | HSS-0135  | SCREW                     | 3   |      |           |                       |     |



**EMBLEMS AND GUARDS**



Shelbourne Reynolds Engineering Limited

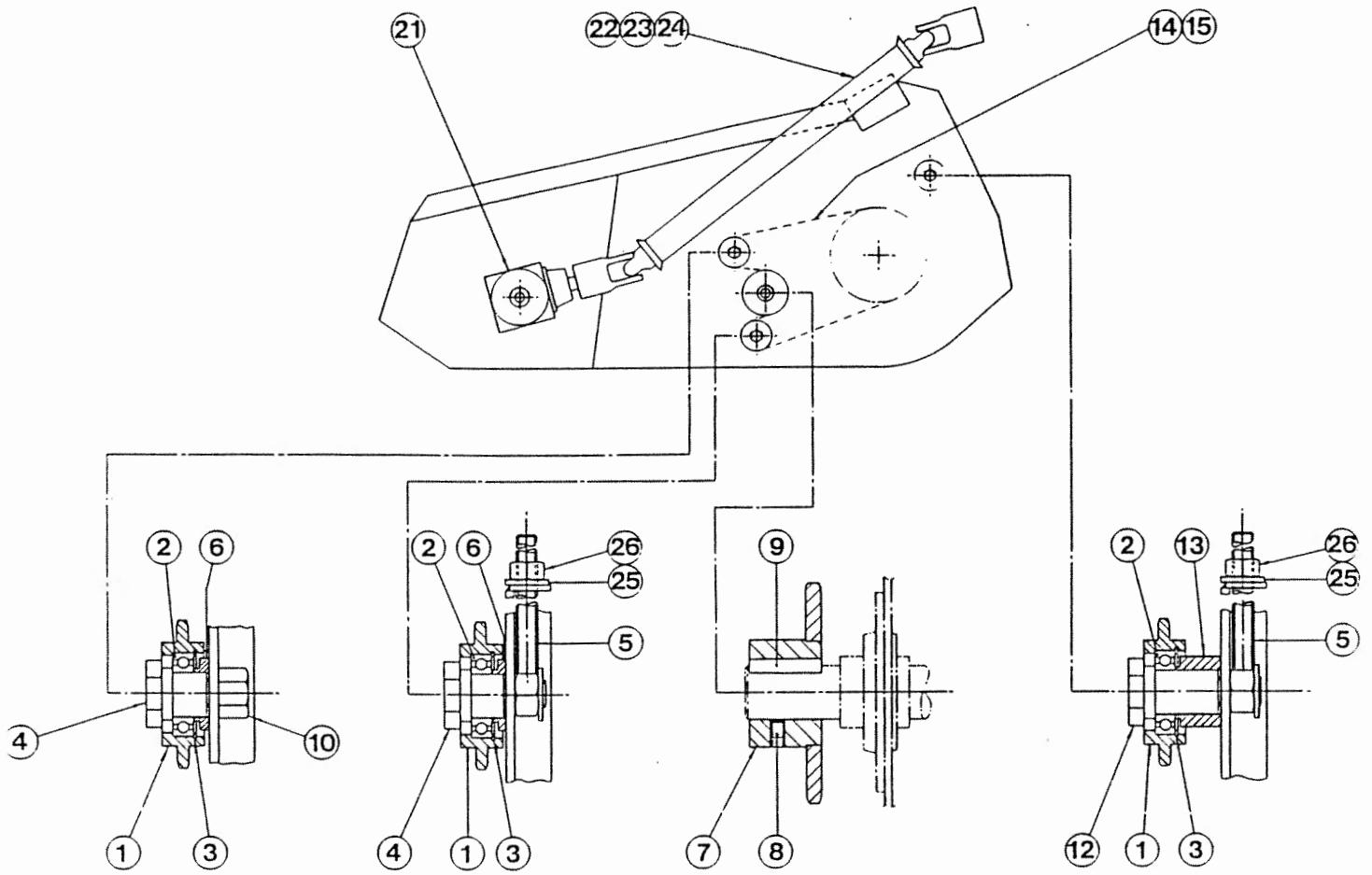


ASSY NUMBER: 196043 01

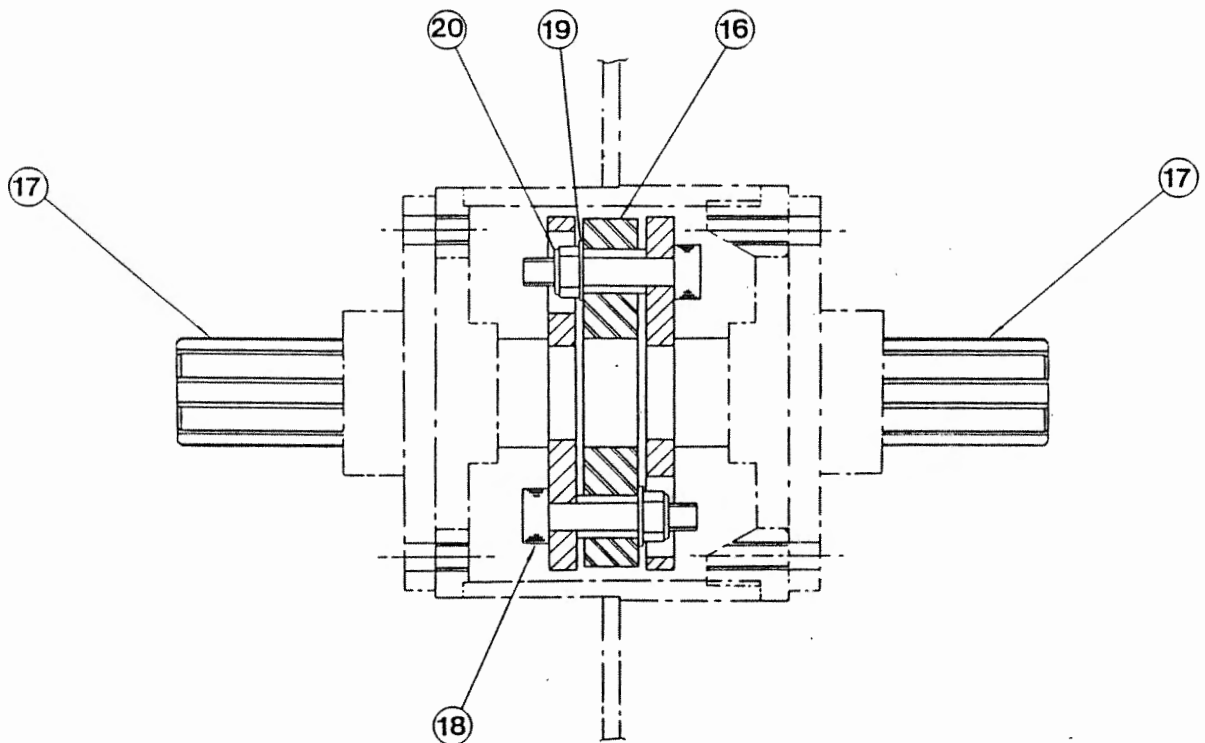
ASSY DESCRIPTION: DRIVE COMPONENTS C. T. MKII MULTI PLATE

| ITEM | PART NO   | DESCRIPTION            | QTY | ITEM | PART NO | DESCRIPTION | QTY |
|------|-----------|------------------------|-----|------|---------|-------------|-----|
| 1    | 131014 01 | SPROCKET IDLER         | 3   |      |         |             |     |
| 2    | BRG-1995  | BEARING                | 3   |      |         |             |     |
| 3    | CIR-0470  | CIRCLIP                | 3   |      |         |             |     |
| 4    | 190060 06 | CONVEYOR IDLER SPINDLE | 2   |      |         |             |     |
| 5    | 191039 01 | IDLER ADJ SCREW        | 2   |      |         |             |     |
| 6    | 191040 01 | CONVEYOR IDLER SPACER  | 2   |      |         |             |     |
| 7    | 190057 01 | CONVEYOR SPROCKET      | 1   |      |         |             |     |
| 8    | SCW-4535  | SCREW                  | 2   |      |         |             |     |
| 9    | K1008150  | KEY                    | 1   |      |         |             |     |
| 10   | NUT-0271  | NUT                    | 1   |      |         |             |     |
| 11   |           |                        |     |      |         |             |     |
| 12   | 190060 07 | AUGER IDLER SPINDLE    | 1   |      |         |             |     |
| 13   | 191040 02 | AUGER SPACER           | 1   |      |         |             |     |
| 14   | CHN-0020  | CHAIN                  | 1   |      |         |             |     |
| 15   | CHN-0111  | CHAIN JOINER           | 1   |      |         |             |     |
| 16   | COU-0180  | FLEXIBLE COUPLING      | 1   |      |         |             |     |
| 17   | 190761 01 | HUB AND SHAFT          | 2   |      |         |             |     |
| 18   | SCW-0201  | SCREW                  | 6   |      |         |             |     |
| 19   | WSH-0015  | WASHER                 | 6   |      |         |             |     |
| 20   | NUT-0265  | LOCKNUT                | 6   |      |         |             |     |
| 21   | GEA-0090  | BEVEL GEARBOX          | 1   |      |         |             |     |
| 22   |           |                        |     |      |         |             |     |
| 23   | PTO-09002 | POWER SHAFT            | 1   |      |         |             |     |
| 23A  | 191392 01 | SHEAR BOLT             | 1   |      |         |             |     |
| 23B  | BLT-2115  | SHEAR BOLT             | 1   |      |         |             |     |
| 23C  | NUT-0162  | NUT                    | 1   |      |         |             |     |
| 24   |           |                        |     |      |         |             |     |
| 25   | WSH-0018  | WASHER                 | 2   |      |         |             |     |
| 26   | BYT-0170  | NUT                    | 2   |      |         |             |     |
| 27   | GEA-0080  | 6 SPEED GB ASSY        | 1   |      |         |             |     |





DRIVE COMPONENTS



DRIVE COMPONENTS

NOTE - TORQUE ITEMS 24 & 26 TO 77 N/M



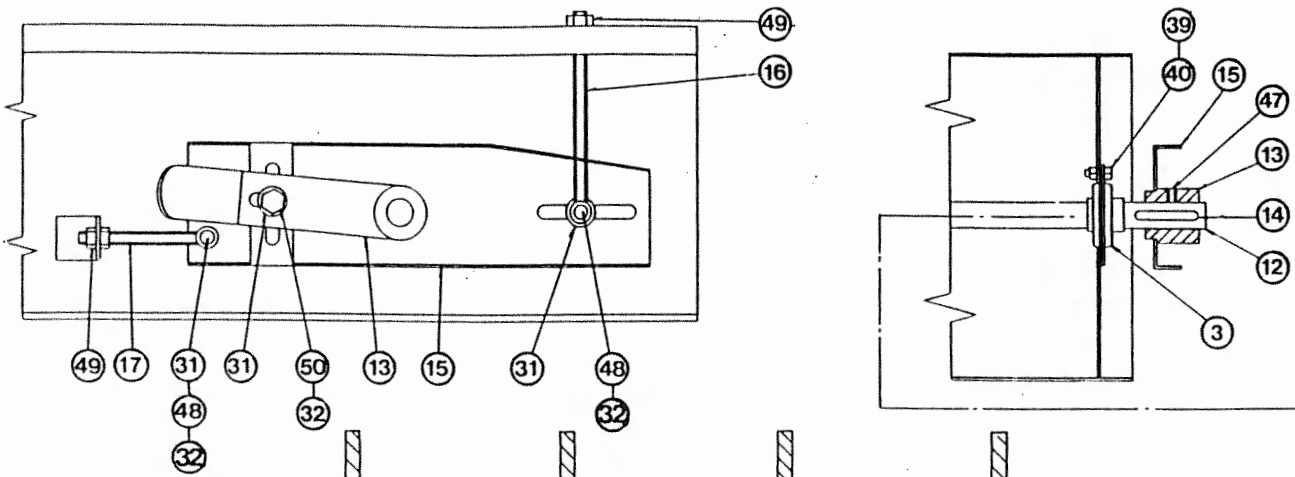
Shelbourne Reynolds Engineering Limited



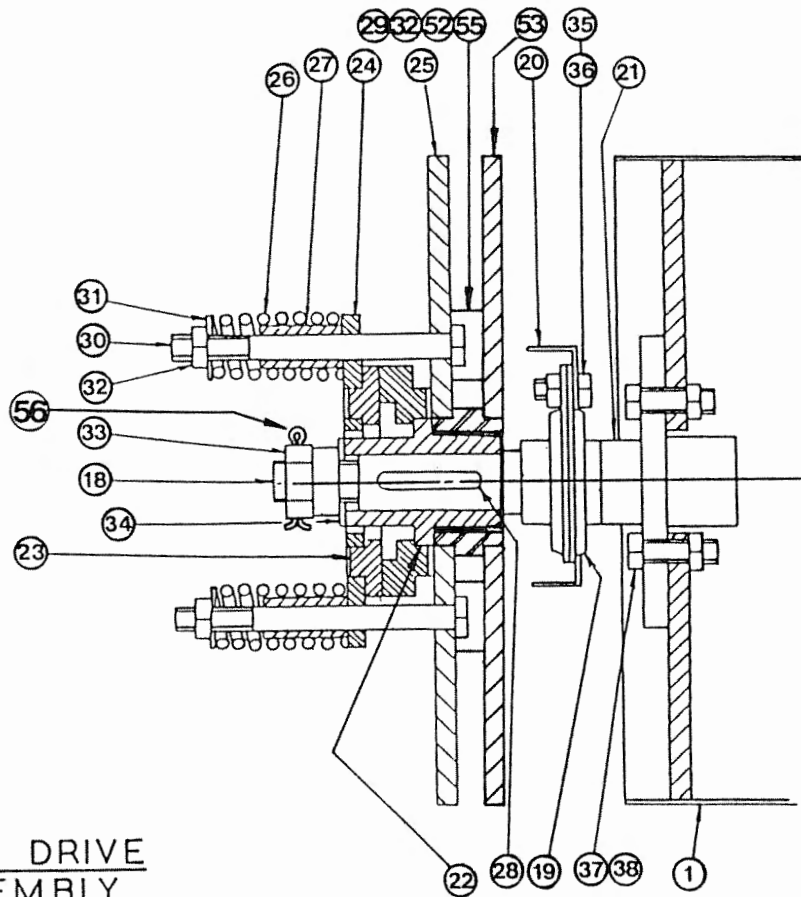
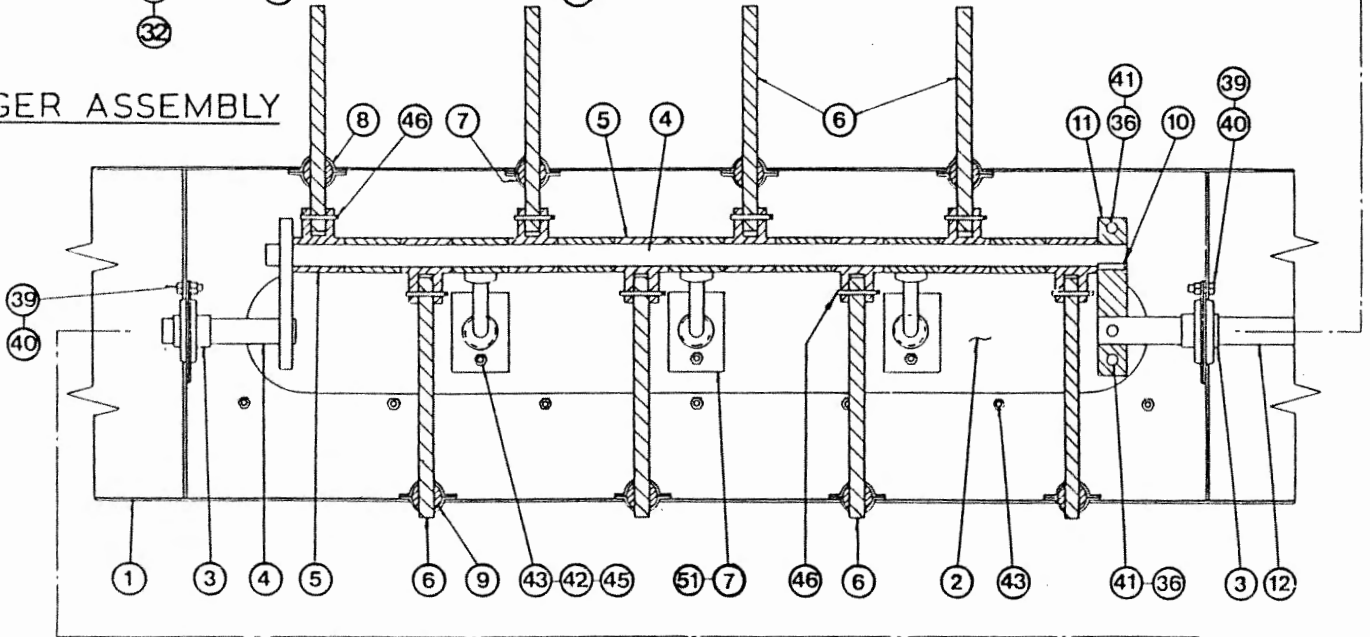
ASSY NUMBER: 196047 03

ASSY DESCRIPTION: AUGER 4.2M (WITH FLIGHT TIPS)

| ITEM | PART NO   | DESCRIPTION          | QTY | ITEM | PART NO   | DESCRIPTION    | QTY |
|------|-----------|----------------------|-----|------|-----------|----------------|-----|
| 1    | 190       | AUGER W A            | 1   | 39   | BLT-2135  | BOLT           | 9   |
| 2    | 190696 01 | COVER PLATE          | 1   | 40   | NUT-0263  | NYLOC NUT      | 6   |
| 3    | BRG-4160  | BEARING              | 3   | 41   | BLT-2197  | BOLT           | 9   |
| 4    | 190546 01 | AUGER CRANK          | 1   | 42   | SCW-4960  | SCREW          | 44  |
| 5    | 132010 01 | BUSH FOR FINGER      | 15  | 43   | 190735 01 | BLANKING PLATE | 1   |
| 6    | 190547 01 | FINGER               | 14  | 44   | NUT-0260  | NYLOC NUT      | 30  |
| 7    | 132011    | FINGER PLATE CONCAVE | 14  | 45   | WSH-0056  | SPRING WASHER  | 14  |
| 8    | 132012    | FINGER PLATE CONVEX  | 14  | 46   | PIN-1167  | SPLIT PIN      | 14  |
| 9    | 132013    | FINGER GUIDE         | 14  | 47   | SCW-4530  | SCREW          | 2   |
| 10   | 131095 03 | KEY                  | 1   | 48   | BLT-3812  | BOLT           | 4   |
| 11   | 190545 01 | AUGER CLAMP          | 1   | 49   | NUT-0170  | NUT            | 8   |
| 12   | 190015 01 | AUGER SHAFT          | 1   | 50   | BLT-2240  | BOLT           | 1   |
| 13   | 190208    | FINGER ADJUSTER      | 1   | 51   | 190728    | FINGER SHIM    | 14  |
| 14   | K0807060  | KEY                  | 1   | 52   | SCW-1975  | SCREW)         | 4   |
| 15   | 191005 02 | AUGER ADJUSTER RH    | 1   | 53   | 131024 05 | SPROCKET       | 1   |
| 16   | 190585 06 | VERTICAL ADJUSTER    | 2   | 54   | WSH-0009  | WASHER         | 14  |
| 17   | 190585 04 | HORIZONTAL ADJUSTER  | 2   | 55   | WSH-0018  | WASHER         | 6   |
| 18   | 132018 02 | AUGER DRIVE SHAFT    | 1   | 56   | PIN-1150  | SPLIT PIN      | 1   |
| 19   | BRG-0240  | BEARING              | 1   |      |           |                |     |
| 20   | 191005 01 | AUGER ADJUSTER LH    | 1   |      |           |                |     |
| 21   | 132022 01 | SPACER               | 1   |      |           |                |     |
| 22   | 131025    | HUB                  | 1   |      |           |                |     |
| 23   | 131005    | CLUTCH PLATE         | 2   |      |           |                |     |
| 24   | 131005 01 | DRIVE PLATE          | 1   |      |           |                |     |
| 25   | 131024 01 | SPROCKET             | 1   |      |           |                |     |
| 26   | 131063    | SPRING               | 4   |      |           |                |     |
| 27   | 131073 01 | SPACER               | 4   |      |           |                |     |
| 28   | K0807050  | KEY                  | 1   |      |           |                |     |
| 29   | 191006 01 | SPACER               | 4   |      |           |                |     |
| 30   | BLT-2273  | BOLT                 | 4   |      |           |                |     |
| 31   | 124048 01 | WASHER               | 4   |      |           |                |     |
| 32   | NUT-0269  | NYLOC NUT            | 13  |      |           |                |     |
| 33   | NUT-0580  | NUT                  | 1   |      |           |                |     |
| 34   | WSH-0030  | WASHER               | 1   |      |           |                |     |
| 35   | HSS-0191  | SETSCREW             | 3   |      |           |                |     |
| 36   | NUT-0265  | NYLOC NUT            | 6   |      |           |                |     |
| 37   | BLT-2243  | BOLT                 | 4   |      |           |                |     |
| 38   | WSH-0065  | WASHER               | 4   |      |           |                |     |

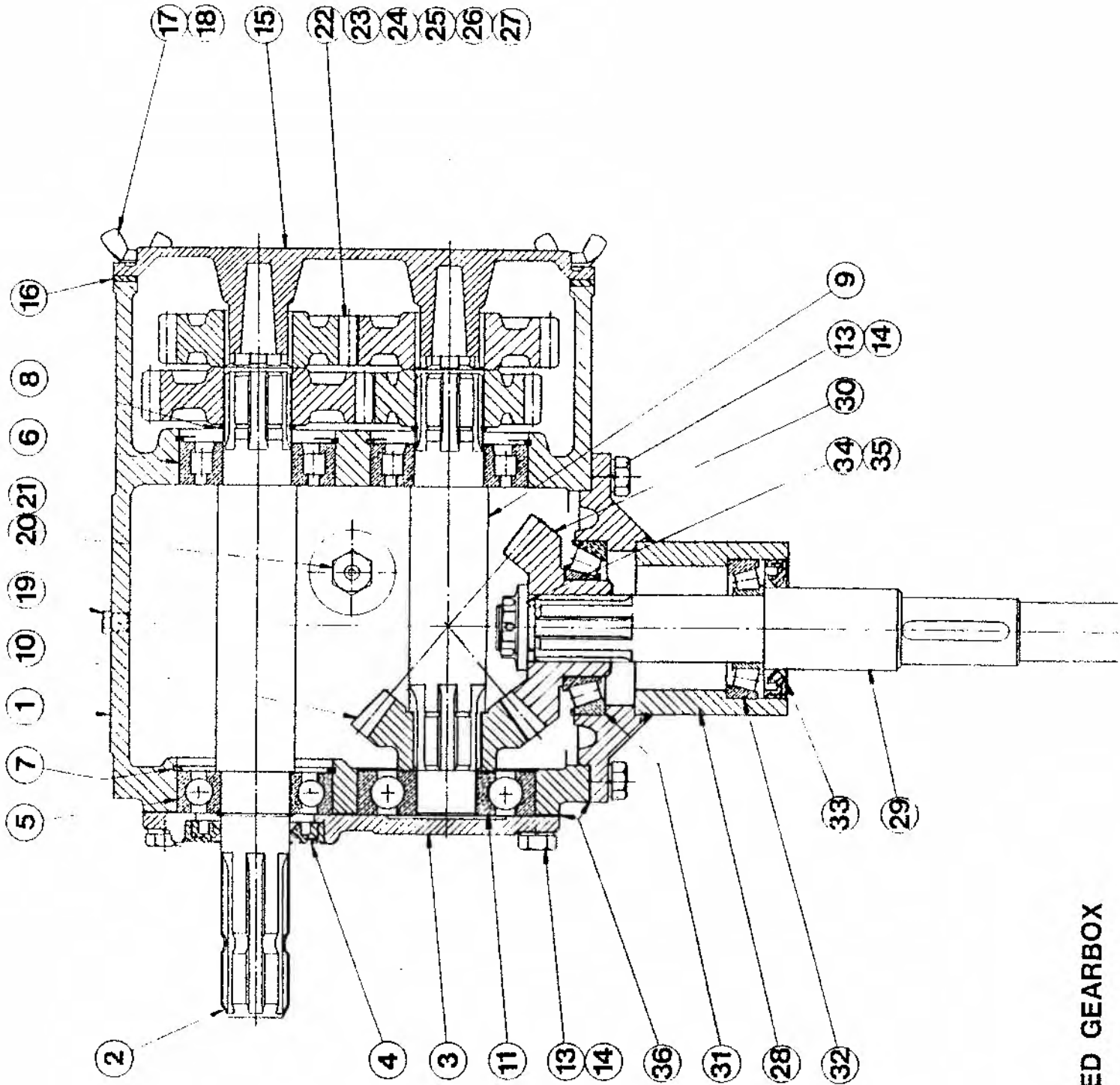


AUGER ASSEMBLY



AUGER DRIVE ASSEMBLY

| ASSY NUMBER: GEA-0080 |          |                        |     | ASSY DESCRIPTION: 6 SPEED GEARBOX ASSY (FRAM1989) |         |             |     |
|-----------------------|----------|------------------------|-----|---|---------|-------------|-----|
| ITEM                  | PART NO  | DESCRIPTION            | QTY | ITEM  | PART NO | DESCRIPTION | QTY |
| 1                     | GEA-1203 | GEARBOX CASING         | 1   |   |         |             |     |
| 2                     | GEA-1102 | INPUT SHAFT            | 1   |   |         |             |     |
| 3                     | GEA-1204 | SEAL HOUSING           | 1   |   |         |             |     |
| 4                     | SEA-0550 | SEAL                   | 1   |   |         |             |     |
| 5                     | BRG-6600 | BEARING                | 1   |   |         |             |     |
| 6                     | BRG-6601 | BEARING                | 2   |   |         |             |     |
| 7                     | CIR-3800 | CIRCLIP                | 3   |   |         |             |     |
| 8                     | CIR-2700 | CIRCLIP                | 3   |   |         |             |     |
| 9                     | GEA-1103 | LAYSHAFT               | 1   |   |         |             |     |
| 10                    | GEA-1002 | BEVEL GEAR             | 1   |   |         |             |     |
| 11                    | BRG-6800 | BEARING                | 1   |   |         |             |     |
| 12                    |          |                        |     |   |         |             |     |
| 13                    | HSS-0194 | BOLT                   | 14  |   |         |             |     |
| 14                    | WSH-0061 | WASHER                 | 14  |   |         |             |     |
| 15                    | GEA-1206 | REMOVABLE COVER        | 1   |   |         |             |     |
| 16                    | GEA-13-1 | REMOVABLE COVER GASKET | 1   |   |         |             |     |
| 17                    | SCW-4750 | WING BOLT              | 3   |   |         |             |     |
| 18                    | WSH-1310 | WASHER                 | 3   |   |         |             |     |
| 19                    | FIT-0252 | PLUG                   | 1   |   |         |             |     |
| 20                    | FIT-0218 | PLUG                   | 1   |   |         |             |     |
| 21                    | WSH-1027 | SEAL WASHER            | 1   |   |         |             |     |
| 22                    | GEA-1072 | CHANGE GEAR            | 1   |   |         |             |     |
| 23                    | GEA-1073 | CHANGE GEAR            | 1   |   |         |             |     |
| 24                    | GEA-1074 | CHANGE GEAR            | 1   |   |         |             |     |
| 25                    | GEA-1075 | CHANGE GEAR            | 1   |   |         |             |     |
| 26                    | GEA-1076 | CHANGE GEAR            | 1   |   |         |             |     |
| 27                    | GEA-1077 | CHANGE GEAR            | 1   |   |         |             |     |
| 28                    | GEA-1207 | OUTPUT HOUSING         | 1   |   |         |             |     |
| 29                    | GEA-1104 | OUTPUT SHAFT           | 1   |   |         |             |     |
| 30                    | GEA-1003 | BEVEL GEAR             | 1   |   |         |             |     |
| 31                    | BRG-6000 | BEARING                | 1   |   |         |             |     |
| 32                    | BRG-5700 | BEARING                | 1   |   |         |             |     |
| 33                    | SEA-0560 | SEAL                   | 1   |   |         |             |     |
| 34                    | NUT-0590 | CASTLE NUT             | 1   |   |         |             |     |
| 35                    | PIN-1168 | COTTER PIN             | 1   |   |         |             |     |
| 36                    | GEA-1302 | GASKET SET             | 1   |   |         |             |     |



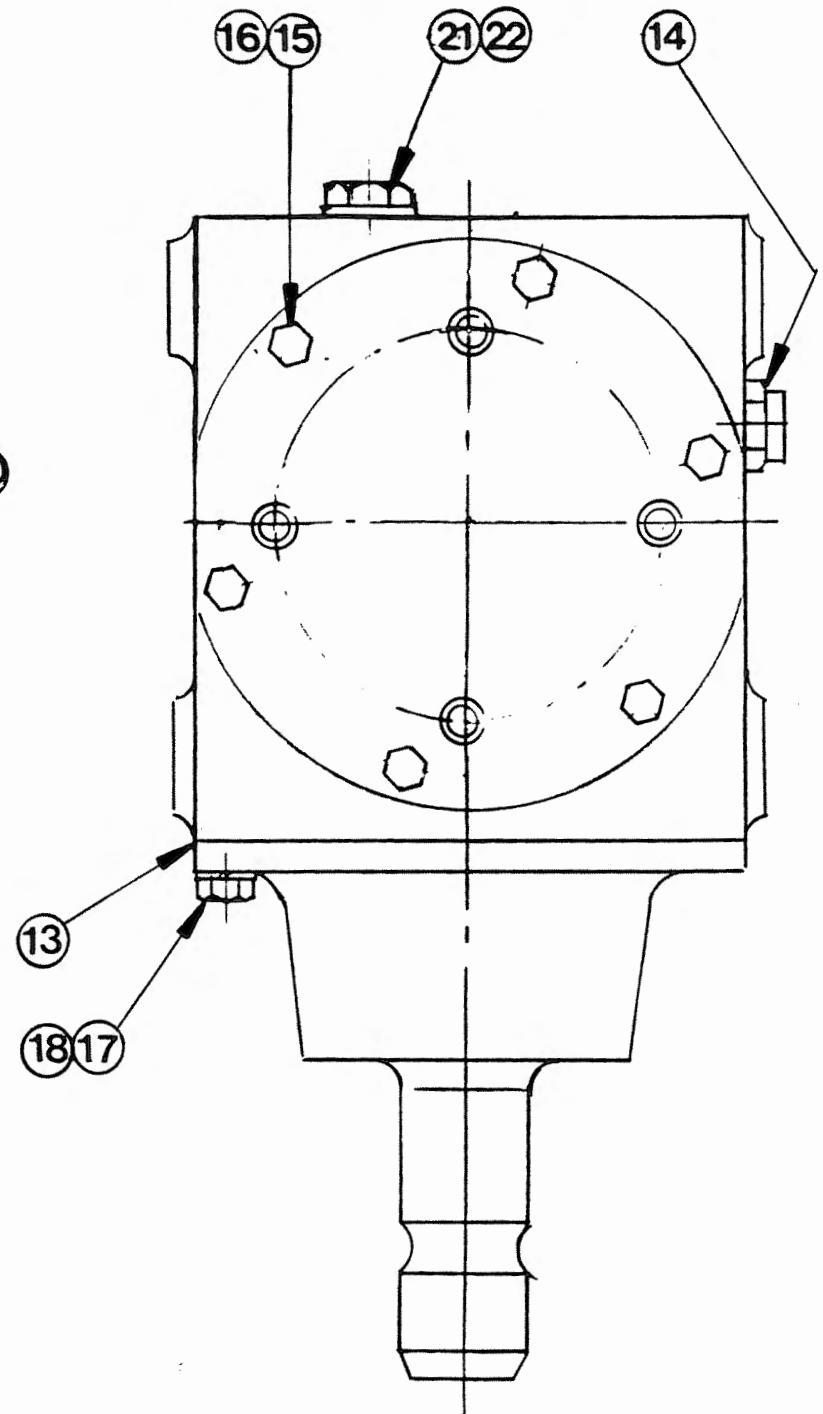
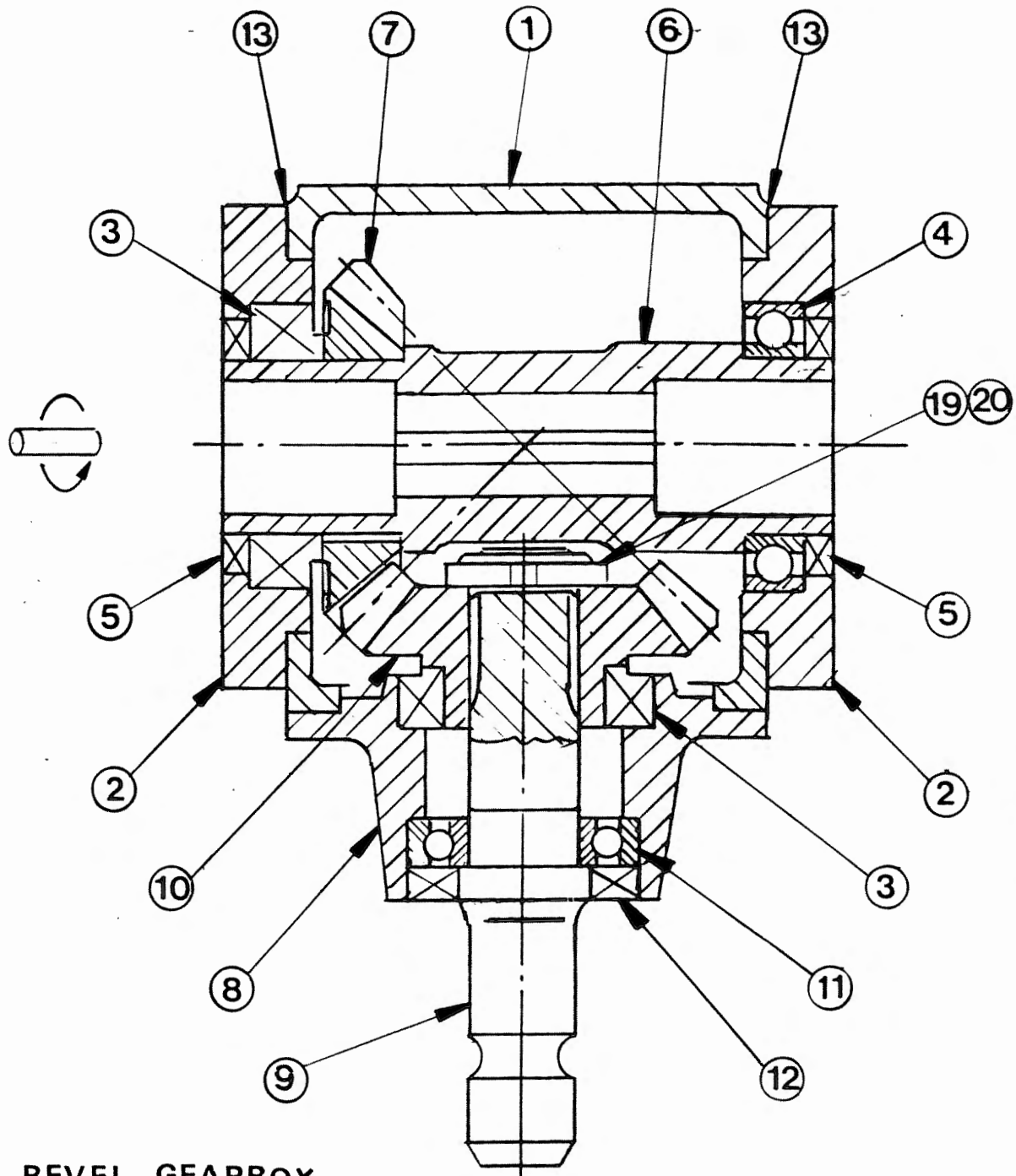
SIX SPEED GEARBOX

ASSY NUMBER:

GEA-0090

ASSY DESCRIPTION: BEVEL GEARBOX ASSY (FROM 1989)

| ITEM | PART NO  | DESCRIPTION            | QTY | ITEM | PART NO | DESCRIPTION | QTY |
|------|----------|------------------------|-----|------|---------|-------------|-----|
| 1    | GEA-1200 | BEVEL GEARBOX CASING   | 1   |      |         |             |     |
| 2    | GEA-1201 | BEARING & SEAL HOUSING | 1   |      |         |             |     |
| 3    | BRG-6001 | BEARING                | 2   |      |         |             |     |
| 4    | BRG-6002 | BEARING                | 1   |      |         |             |     |
| 5    | SEA-0570 | SEAL                   | 2   |      |         |             |     |
| 6    | GEA-1100 | OUTPUT SHAFT           | 1   |      |         |             |     |
| 7    | GEA-1000 | BEVEL GEAR             | 1   |      |         |             |     |
| 8    | GEA-1202 | INPUT HOUSING          | 1   |      |         |             |     |
| 9    | GEA-1101 | INPUT SHAFT            | 1   |      |         |             |     |
| 10   | GEA-1001 | BEVEL GEAR             | 1   |      |         |             |     |
| 11   | BRG-5710 | BEARING                | 1   |      |         |             |     |
| 12   | SEA-0562 | SEAL                   | 1   |      |         |             |     |
| 13   | GEA-1300 | GASKET                 | 1   |      |         |             |     |
| 14   | FIT-0251 | LEVEL PLUG             | 1   |      |         |             |     |
| 15   | HSS-0140 | BOLT                   | 12  |      |         |             |     |
| 16   | WSH-0058 | WASHER                 | 12  |      |         |             |     |
| 17   | HSS-0191 | BOLT                   | 6   |      |         |             |     |
| 18   | WSH-0061 | WASHER                 | 6   |      |         |             |     |
| 19   | NUT-0590 | NUT                    | 1   |      |         |             |     |
| 20   | PIN-1168 | COTTER PIN             | 1   |      |         |             |     |
| 21   | FIT-0218 | PLUG                   | 1   |      |         |             |     |
| 22   | WSH-1027 | SEAL WASHER            | 1   |      |         |             |     |



BEVEL GEARBOX

