

# Shelbourne

REYNOLDS

## 2021 PRODUCT GUIDE

GROUND CARE



HARVESTING



LIVESTOCK



# CONTACTS

## UK SALES OFFICE

**01359 250 415** sales@shelbourne.com

### SALES & MARKETING DIRECTOR

**Neil Smith**

neil.smith@shelbourne.com

### ASSISTANT SALES & MARKETING MANAGER

**Rebecca Farthing**

rebecca.farthing@shelbourne.com

## SOUTH EAST UK REGIONAL SALES MANAGER

**Ian Taylor-Balls**

**07860 417 588**

ian.taylor-balls@shelbourne.com

## SOUTH WEST UK REGIONAL SALES MANAGER

**Edwin Cartwright**

**07860 305 602**

edwin.cartwright@shelbourne.com

## NORTHERN UK SALES MANAGER

**Campbell Holmes**

**07860 305 601**

campbell.holmes@shelbourne.com

## SALES SUPPORT

**Adam Whitaker**

**07985 178 982**

adam.whitaker@shelbourne.com

## SERVICE MANAGER

**James Swinstead**

**07809 388 077**

james.swinstead@shelbourne.com

## SERVICE SUPPORT

**Matt Tomkinson**

**07581 298 967**

matthew.tomkinson@shelbourne.com

**Chris Green**

**07803 411 759**

chris.green@shelbourne.com

## UK PARTS OFFICE

**01359 251 231**

parts@shelbourne.com

## PARTS MANAGER

**Andy Freeman**

andy.freeman@shelbourne.com

## PARTS CO-ORDINATORS

**Steven Ward**

steven.ward@shelbourne.com

**Luke Austin**

luke.austin@shelbourne.com

# CONTENTS

CATEGORY	PRODUCT	MODEL	PAGE		
LIVESTOCK SIDE DISCHARGE SPREADER	POWERSPREAD DAIRY	1600 - 2000.....	02		
	POWERSPREAD PRO - SWB	1800 - 2300.....	04		
	POWERSPREAD PRO - LWB	2400 - 3200.....	06		
VERTICAL DIET FEEDER	POWERMIX PRO POPULAR	SINGLE AUGER POPULAR SIDE DOOR.....	11		
	POWERMIX PRO EXPRESS	SINGLE AUGER.....	14		
		TWIN AUGER / SINGLE AXLE.....	16		
		TWIN AUGER / TANDEM AXLE.....	18		
	POWERMIX PLUS COMPACT	TWIN AUGER / SINGLE AXLE ELEVATING CONVEYOR 16m-20m.....	20		
		TWIN AUGER / TANDEM AXLE ELEVATING CONVEYOR 16m-22m.....	22		
POWERMIX PLUS WIDE BODY	TWIN AUGER / TANDEM AXLE ELEVATING CONVEYOR 22m-30m.....	24			
	PARMITER SHEAR BUCKET	SB250.....	31		
		SB300.....	31		
SILAGE BUCKETS	CUBICLE BEDDER	CB100.....	32		
		CB150.....	32		
		CB300.....	32		
BEDDER DISPENSER	CUBICLE BEDDER	CB100.....	32		
		CB150.....	32		
		CB300.....	32		
		HARVESTING	PICK UP HEADER	PUH13M - PUH15M.....	34
			STRIPPER HEADER	RSD.....	36
				CVS.....	38
				X SERIES.....	40
HEADER TRAILER	6000 SA & TA.....	42			
	7500 SA & TA.....	42			
	9000 TA & FW.....	42			
	10500 TAB & FW/S.....	42			
	12000 FW/S.....	42			
GROUND CARE	TRIMMER	400 SERIES.....	45		
		600 SERIES.....	49		
		7000 SERIES.....	53		
		8000 SERIES.....	56		
		MOWING	FLAIL MOWER	FBO-2800.....	66

**WARNING: IT IS THE CUSTOMERS RESPONSIBILITY TO ENSURE THAT THEY DO NOT EXCEED THE TRACTOR OEM (ORIGINAL EQUIPMENT MANUFACTURERS) SPECIFICATION FOR IMPLEMENT MOUNTING AND HITCH CAPABILITY AND THAT THE INSTALLATION IS TECHNICALLY APPROPRIATE BASED ON THE WEIGHT AND SIZE OF THE TRACTOR AND ITS IMPLEMENT ATTACHMENT SYSTEM.**

# POWERSPREAD DAIRY

## FEATURES



STANDARD FEATURES	1600	2000
CAPACITY / LEVEL	7250   1600 gal	9000   2000 gal
VOLUME / LEVEL	7.25m <sup>3</sup>	9m <sup>3</sup>
TYRE SIZE	23.1-26	23.1-26
PTO SPEED	540 rpm	540 rpm
RECOMMENDED TRACTOR SIZE	70-90 hp	90 hp (UPWARDS)
UNLADEN WEIGHT	2900 kg	3000 kg
GROSS WEIGHT	9600 kg	9700 kg
UNLADEN DRAWBAR WEIGHT	684 kg	703 kg
MAX AXLE WEIGHT	7636 kg	7717 kg
MAX DRAWBAR WEIGHT	1964 kg	1983 kg
SPREAD WIDTH	UP TO 18 m	UP TO 18 m
DOOR SIZE (WIDTH)	955 mm	955 mm
DOOR OPERATION	DOUBLE ACTING	HYDRAULIC RAM
MAX ROAD SPEED	20 mph	20 mph
OPTIONS		
MANUAL ANTI-BRIDGING KIT	OPT	OPT
AUTOMATIC ANTI-BRIDGE KIT	OPT	OPT
WIDE ANGLE PTO	OPT	OPT
STRAW PLATES	OPT	OPT
MECHANICAL PARKING JACK	OPT	OPT

NOTE: ALL WEIGHTS & OTHER DATA ARE APPROXIMATE

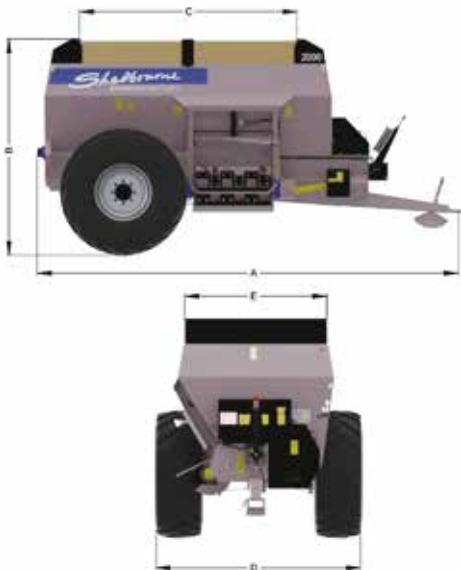
**THE ABOVE STATED WEIGHTS AND A 20MPH (32KM/H) SPEED LIMIT MUST NOT BE EXCEEDED IF THE MACHINE IS TO BE TAKEN ON PUBLIC ROADS**

# POWERSPREAD DAIRY

## DIMENSIONS



	1600	2000
OVERALL LENGTH (A)	5380 mm	5380 mm
WIDTH OVER TYRES (D)	2600 mm	2600 mm
LOADING HEIGHT	2427 mm	2740 mm
OPENING LENGTH (C)	2835 mm	2678 mm
WIDTH AT TOP OF TUB (E)	1694 mm	1747 mm
OVERALL HEIGHT (B)	2594 mm	2740 mm



# POWERSPREAD PRO SWB

## FEATURES



STANDARD FEATURES	1800	2300
CAPACITY / LEVEL	8000 l 1800 gal	10500 l 2300 gal
VOLUME / LEVEL	8m <sup>3</sup>	10.5m <sup>3</sup>
TYRE SIZE	620/75 R26	620/75 R26
PTO SPEED	540 rpm	540 rpm
RECOMMENDED TRACTOR SIZE	120 hp (UPWARDS)	120 hp (UPWARDS)
UNLADEN WEIGHT	4150 kg	4380 kg
GROSS WEIGHT	11350 kg	13830 kg* 13280 kg**
UNLADEN DRAWBAR WEIGHT	1104 kg	1166 kg
MAX AXLE WEIGHT	8663 kg	10586 kg* 10157 kg**
MAX DRAWBAR WEIGHT	2687 kg	3244 kg* 3123 kg**
SPREAD WIDTH	UP TO 18 m	UP TO 18 m
DOOR SIZE (WIDTH)	1320 mm	1320 mm
DOOR OPERATION	DOUBLE ACTING HYDRAULIC RAM	
MAX ROAD SPEED	20 mph	20 mph
REVERSE AUGER DRIVE FACILITY	STD	STD
HYD. DROP DOWN IMPELLER	STD	STD
WIDE ANGLE PTO	STD	STD
MANUAL ANTI-BRIDGING ARM	STD	STD
<b>OPTIONS</b>		
HYDRAULIC SECOND ROTOR	OPT	OPT
AUTO ANTI-BRIDGING KIT UPGRADE	OPT	OPT
REAR ANTI-BRIDGING ARM	OPT	OPT
650/65 R30.5 TYRES	OPT	OPT

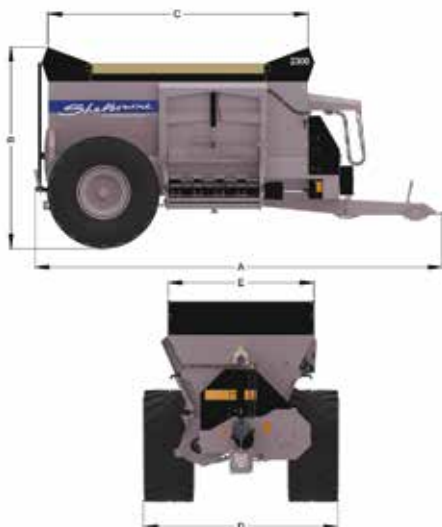
**THE ABOVE STATED WEIGHTS AND A 20MPH (32KM/H) SPEED LIMIT MUST NOT BE EXCEEDED IF THE MACHINE IS TO BE TAKEN ON PUBLIC ROADS**

# POWERSPREAD PRO SWB

## DIMENSIONS



	1800	2300
OVERALL LENGTH (A)	6091 mm	6091 mm
WIDTH OVER TYRES (D)	2700 mm	2700 mm
LOADING HEIGHT	2462 mm	2727 mm
OPENING LENGTH (C)	3213 mm	3658 mm
WIDTH AT TOP OF TUB (E)	2180 mm	2180 mm
OVERALL HEIGHT (B)	2632 mm	2975 mm
CENTRE OF WHEEL TO TOW HITCH	5035 mm	5035 mm



# POWERSPREAD PRO LWB

## FEATURES



STANDARD FEATURES	SINGLE AXLE		TANDEM STEERING AXLE	
	2400	3200	2400	3200
CAPACITY / LEVEL	11000 l 2400 gal	14500 l 3200 gal	11000 l 2400 gal	14500 l 3200 gal
VOLUME / LEVEL	11m <sup>3</sup>	14.5m <sup>3</sup>	11m <sup>3</sup>	14.5m <sup>3</sup>
TYRE SIZE	650 /65 R30.5	650/65 R30.5	560/60 R22.5	560/60 R22.5
PTO SPEED	540 rpm	540 rpm	540 rpm	540 rpm
RECOMMENDED TRACTOR SIZE	120 hp (&UP)	150 hp (&UP)	120 hp (&UP)	150 hp (&UP)
UNLADEN WEIGHT	5050 kg	5310 kg	5770 kg	6030 kg
GROSS WEIGHT	15050 kg* 11850 kg**	18310 kg* 12110 kg**	18290 kg	18290 kg
UNLADEN DRAWBAR WEIGHT	1014 kg	1049 kg	1139 kg	1190 kg
MAX AXLE WEIGHT	9912 kg	15495 kg* 10137 kg**	15046 kg	15039 kg
MAX DRAWBAR WEIGHT	1938 kg	2815 kg* 1973 kg**	3244 kg	3251 kg
SPREAD WIDTH	UP TO 18 m	UP TO 18 m	UP TO 18 m	UP TO 18 m
DOOR SIZE (WIDTH)	1320 mm	1320 mm	1320 mm	1320 mm
DOOR OPERATION	DOUBLE ACTING HYDRAULIC RAM			
MAX ROAD SPEED	20 mph	20 mph	20 mph	20 mph
REVERSE AUGER DRIVE FACILITY	STD	STD	STD	STD
HYD. DROP DOWN IMPELLER	STD	STD	STD	STD
WIDE ANGLE PTO	STD	STD	STD	STD
MANUAL ANTI-BRIDGING ARM	STD	STD	STD	STD
HYDRAULIC BRAKES	STD	STD	STD	STD
LED LIGHTS	STD	STD	STD	STD

### OPTIONS

HYDRAULIC SECOND ROTOR	OPT	OPT	OPT	OPT
AUTO ANTI-BRIDGING KIT UPGRADE	OPT	OPT	OPT	OPT
REAR ANTI-BRIDGING ARM	OPT	OPT	OPT	OPT
AIR BRAKES FOR SINGLE AXLE LWB	OPT	OPT	OPT	OPT
COMMERCIAL TANDEM, SPRUNG STEERING AXLE, AIR BRAKES, 560/60 R22.5 TYRES			OPT	OPT
COMMERCIAL TANDEM, SPRUNG STEERING AXLE, AIR BRAKES, 600/55 R22.5 TYRES			OPT	OPT
MUDGUARDS FOR TANDEM AXLE			OPT	OPT

**THE ABOVE STATED WEIGHTS AND A 20MPH (32KM/H) SPEED LIMIT MUST NOT BE EXCEEDED IF THE MACHINE IS TO BE TAKEN ON PUBLIC ROADS**



# POWERSPREAD PRO LWB

## DIMENSIONS - SINGLE AXLE



SINGLE AXLE	2400	3200
OVERALL LENGTH (A)	7650 mm	7650 mm
WIDTH OVER TYRES (D)	2650 mm	2650 mm
LOADING HEIGHT	2498 mm	2775 mm
OPENING LENGTH (C)	4751 mm	5313 mm
WIDTH AT TOP OF TUB (E)	2180 mm	2180 mm
OVERALL HEIGHT (B)	2668 mm	3013 mm
CENTRE OF WHEEL TO TOW HITCH	5444 mm	5444 mm



# POWERSPREAD PRO LWB

## DIMENSIONS - TANDEM AXLE



TANDEM AXLE	2400	3200
OVERALL LENGTH (A)	7650 mm	7650 mm
WIDTH OVER TYRES (D)	2655 mm	2655 mm
LOADING HEIGHT	2577 mm	2853 mm
OPENING LENGTH (C)	4751 mm	5313 mm
WIDTH AT TOP OF TUB (E)	2180 mm	2180 mm
OVERALL HEIGHT (B)	2748 mm	3091 mm
CENTRE OF WHEEL TO TOW HITCH	5660 mm	5660 mm



# POWERSPREAD PRO

## OPTIONS



### OPTION: HYDRAULIC SECONDARY ROTOR

**MODELS:** ALL POWERSPREAD PRO MODELS

**APPLICATION:** FOR USE IN STICKY MATERIALS WHERE A FINER SPREAD PATTERN IS REQUIRED



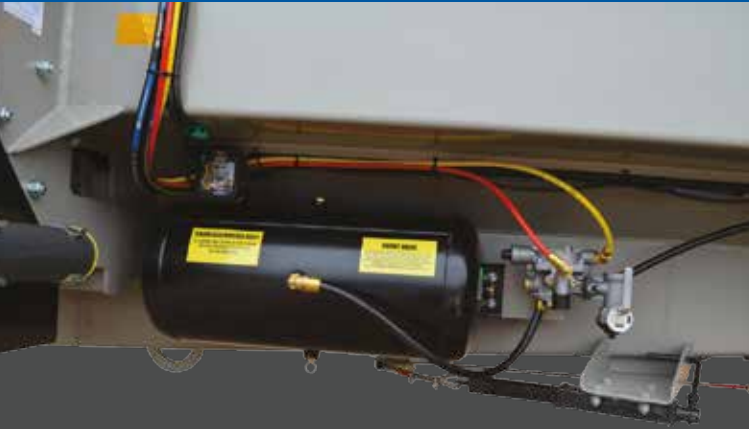
### OPTION: ANTI-BRIDGING ARM PLUS REAR PIVOT

**MODELS:** ALL POWERSPREAD PRO MODELS

**APPLICATION:** HYDRAULICALLY OPERATED ARM FOR USE IN DRY OR STICKY MATERIAL

# POWERSPREAD PRO

## OPTIONS



### OPTION: AIR BRAKES

**MODELS:** POWERSPREAD PRO LWB MODELS

**APPLICATION:** IMPROVES BRAKING EFFICIENCY



### OPTION: TANDEM, SPRUNG, STEERING AXLE

**MODELS:** POWERSPREAD PRO LWB MODELS

**APPLICATION:** GIVES GREATER LOAD CARRYING CAPACITY FOR ROAD TRAVEL

# POWERMIX PRO POPULAR

## FEATURES



STANDARD FEATURES	9M	11M	13M	15M
CAPACITY / LEVEL	4500 kg*	5500 kg*	6500 kg*	7500 kg*
VOLUME / LEVEL	9m <sup>3</sup>	11m <sup>3</sup>	13m <sup>3</sup>	15m <sup>3</sup>
TYRE SIZE	385/55R19.5	385/55R19.5	385/55R19.5	385/55R19.5
PTO SPEED	540 rpm	540 rpm	540 rpm	540 rpm
HP REQUIRED	85	90	100	120
UNLADEN WEIGHT	3780 kg	4040 kg	4205 kg	4365 kg
DOOR CONFIGURATION	SINGLE RIGHT FRONT CORNER DOOR			
DOOR OPERATION	HYDRAULIC	HYDRAULIC	HYDRAULIC	HYDRAULIC
HYDRAULIC BRAKES	STD	STD	STD	STD
LED LIGHTS	STD	STD	STD	STD
ADJUSTABLE CORNER KNIVES	STD	STD	STD	STD
RUBBER STRAW RETAINING RING	STD	STD	STD	STD
HYDRAULIC CONTROL	HOSES DIRECT TO TRACTOR			
NUMBER OF LOAD CELLS	3	3	3	3
NUMBER OF AUGERS	1	1	1	1
NUMBER OF BLADES	7	7	10	11
AUGER MAGNET	STD	STD	STD	STD
<b>OPTIONS</b>				
LH REAR CORNER DOOR (DIRECT COUPLED HYD)	OPT	OPT	OPT	OPT
MANUAL VALVE HYD CONTROL	OPT	OPT	OPT	OPT
DG400 BASIC SCALE SYSTEM	OPT	OPT	OPT	OPT
DG600 PROG. SCALE SYSTEM	OPT	OPT	OPT	OPT
REMOTE SCALE HEAD	OPT	OPT	OPT	OPT
DG REMOTE ZERO	OPT	OPT	OPT	OPT
DG GPRS DATA TRANSFER KIT	OPT	OPT	OPT	OPT
BATTERY PACK FOR SCALE	OPT	OPT	OPT	OPT
TWO SPEED GEARBOX	OPT	OPT	OPT	OPT
WIDE ANGLE PTO	OPT	OPT	OPT	OPT
425/40 R17 TYRE	OPT	OPT	OPT	OPT
TUB RISER KIT (INC 385/65R22.5 SUPER SINGLES)	OPT	OPT	OPT	OPT
TUNGSTEN BLADES	OPT	OPT	OPT	OPT

\* DEPENDING UPON FEED DM%

# POWERMIX PRO POPULAR

## DIMENSIONS



	A	B	C	D	E	F	G
9m <sup>3</sup>	2458 mm	2600 mm	740 mm	330 mm	4605 mm	2515 mm	3105 mm
11m <sup>3</sup>	2458 mm	2600 mm	740 mm	330 mm	4715 mm	2815 mm	3105 mm
13m <sup>3</sup>	2458 mm	2600 mm	740 mm	330 mm	4825 mm	3115 mm	3105 mm
15m <sup>3</sup>	2458 mm	2600 mm	740 mm	330 mm	4935 mm	3315 mm	3105 mm



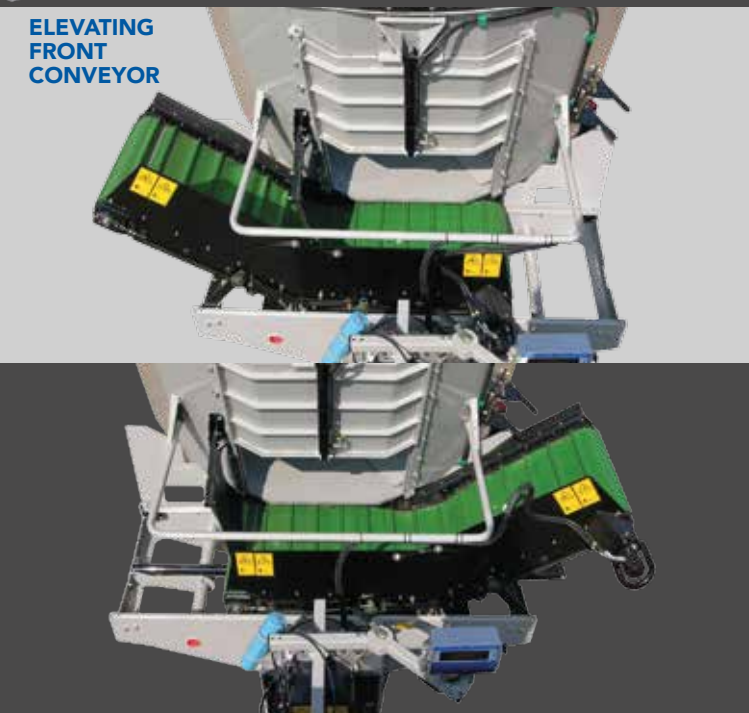
# POWERMIX PRO EXPRESS

FEATURES - FIXED OR  
ELEVATING FRONT CONVEYOR



**FIXED FRONT CONVEYOR**

**ELEVATING  
FRONT  
CONVEYOR**



ALL POWERMIX PRO MACHINES ARE AVAILABLE WITH A FIXED OR ELEVATING FRONT CONVEYOR. FIXED CONVEYORS ARE FIXED WITHIN THE WIDTH OF THE MACHINE WHERE AS ELEVATING CONVEYORS ARE ABLE TO HYDRAULICALLY SHUTTLE AND ELEVATE TO BOTH SIDES OF THE MACHINE.

# POWERMIX PRO SINGLE AUGER EXPRESS

FEATURES - FIXED OR ELEVATING FRONT CONVEYOR



STANDARD FEATURES	9M	11M	13M	15M
CAPACITY / LEVEL	4500 kg*	5500 kg*	6500 kg*	7500 kg*
VOLUME / LEVEL	9m <sup>3</sup>	11m <sup>3</sup>	13m <sup>3</sup>	15m <sup>3</sup>
TYRE SIZE	385/55R19.5	385/55R19.5	385/55R19.5	385/55R19.5
PTO SPEED	540 rpm	540 rpm	540 rpm	540 rpm
HP REQUIRED	95	100	110	120
UNLADEN WEIGHT	4100 kg	4360 kg	4525 kg	4685 kg
DOOR CONFIGURATION	FRONT CENTRE DOOR AND FRONT WEBBING CONVEYOR			
DOOR OPERATION	HYDRAULIC	HYDRAULIC	HYDRAULIC	HYDRAULIC
HYDRAULIC BRAKES	STD	STD	STD	STD
LED LIGHTS	STD	STD	STD	STD
ADJUSTABLE CORNER KNIVES	STD	STD	STD	STD
RUBBER STRAW RETAINING RING	STD	STD	STD	STD
HYDRAULIC CONTROL	HOSES DIRECT TO TRACTOR			
NUMBER OF LOAD CELLS	3	3	3	3
NUMBER OF AUGERS	1	1	1	1
NUMBER OF BLADES	7	7	10	11
AUGER MAGNET	STD	STD	STD	STD
OPTIONS				
ELEVATING FRONT CONVEYOR	OPT	OPT	OPT	OPT
FIXED FRONT CONVEYOR	OPT	OPT	OPT	OPT
MANUAL VALVE HYD CONTROL	OPT	OPT	OPT	OPT
ELECTRIC HYD CONTROL	OPT	OPT	OPT	OPT
ELEC. CONTROL <small>WITH VARI SPEED CONVEYOR</small>	OPT	OPT	OPT	OPT
DG400 BASIC SCALE SYSTEM	OPT	OPT	OPT	OPT
DG600 PROG. SCALE SYSTEM	OPT	OPT	OPT	OPT
REMOTE SCALE HEAD	OPT	OPT	OPT	OPT
DG REMOTE ZERO	OPT	OPT	OPT	OPT
DG GPRS DATA TRANSFER KIT	OPT	OPT	OPT	OPT
BATTERY PACK FOR SCALE	OPT	OPT	OPT	OPT
TWO SPEED GEARBOX	OPT	OPT	OPT	OPT
WIDE ANGLE PTO	OPT	OPT	OPT	OPT
425/40 R17 TYRE	OPT	OPT	OPT	OPT
TUB RISER KIT <small>(INC 386/65R22.5 SUPER SINGLES)</small>	OPT	OPT	OPT	OPT
TUNGSTEN BLADES	OPT	OPT	OPT	OPT

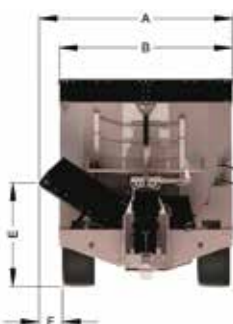


# POWERMIX PRO SINGLE AUGER EXPRESS

## DIMENSIONS



	A	B	C	D	E	F	G
9m <sup>3</sup>	2730 mm	2350 mm	5300 mm	2515 mm	1425 mm	470 mm	3690 mm
11m <sup>3</sup>	2730 mm	2350 mm	5410 mm	2815 mm	1425 mm	470 mm	3690 mm
13m <sup>3</sup>	2730 mm	2350 mm	5520 mm	3115 mm	1425 mm	470 mm	3690 mm
15m <sup>3</sup>	2730 mm	2350 mm	5630 mm	3315 mm	1425 mm	470 mm	3690 mm



# POWERMIX PRO TWIN AUGER SINGLE AXLE EXPRESS

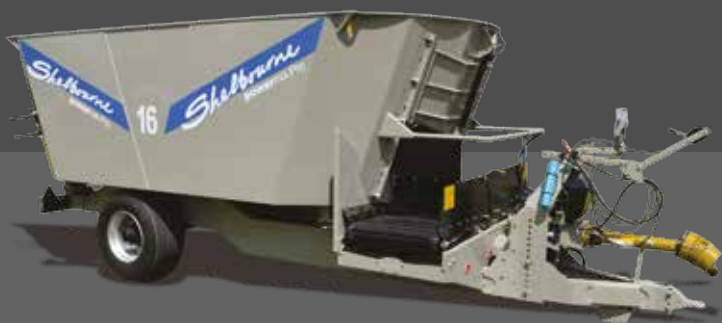
FEATURES - FIXED OR ELEVATING FRONT CONVEYOR



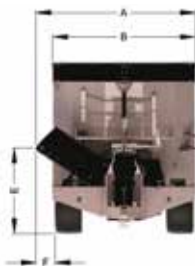
STANDARD FEATURES	16M	19M
CAPACITY / LEVEL	8000 kg*	9500 kg*
VOLUME / LEVEL	16m <sup>3</sup>	19m <sup>3</sup>
TYRE SIZE	435/50R19.5	435/50R19.5
PTO SPEED	540 rpm	540 rpm
HP REQUIRED	110	120
UNLADEN WEIGHT	8030 kg	8435 kg
DOOR CONFIGURATION	FRONT CENTRE DOOR & FRONT WEBBING CONVEYOR	
DOOR OPERATION	HYDRAULIC	HYDRAULIC
HYDRAULIC BRAKES	STD	STD
LED LIGHTS	STD	STD
ADJUSTABLE CORNER KNIVES	STD	STD
RUBBER STRAW RETAINING RING	STD	STD
HYDRAULIC CONTROL	HOSES DIRECT TO TRACTOR	
NUMBER OF LOAD CELLS	4	4
NUMBER OF AUGERS	2	2
NUMBER OF BLADES	7	7
TWO SPEED GEARBOX	STD	STD
AUGER MAGNET	STD	STD
OPTIONS		
ELEVATING FRONT CONVEYOR	OPT	OPT
FIXED FRONT CONVEYOR	OPT	OPT
MANUAL VALVE HYD CONTROL	OPT	OPT
ELECTRIC HYD CONTROL	OPT	OPT
ELEC. CONTROL WITH VARI SPEED CONVEYOR	OPT	OPT
DG400 BASIC SCALE SYSTEM	OPT	OPT
DG600 PROG. SCALE SYSTEM	OPT	OPT
REMOTE SCALE HEAD	OPT	OPT
DG REMOTE ZERO	OPT	OPT
DG GPRS DATA TRANSFER KIT	OPT	OPT
BATTERY PACK FOR SCALE	OPT	OPT
WIDE ANGLE PTO	OPT	OPT
18R 22.5 TYRE	OPT	OPT
TUNGSTEN BLADES	OPT	OPT

# POWERMIX PRO TWIN AUGER SINGLE AXLE EXPRESS

## DIMENSIONS



MODEL TYRE	A	B	C	D	E	F	G
16m <sup>3</sup> 18 R22.5	2730 mm	2350 mm	7580 mm	2730 mm	1670 mm	415 mm	5115 mm
16m <sup>3</sup> 435/50 R19.5	2730 mm	2350 mm	7580 mm	2520 mm	1460 mm	410 mm	5115 mm
19m <sup>3</sup> 18 R22.5	2730 mm	2350 mm	7690 mm	3030 mm	1670 mm	415 mm	5115 mm
19m <sup>3</sup> 435/50 R19.5	2730 mm	2350 mm	7690 mm	2820 mm	1460 mm	410 mm	5115 mm



# POWERMIX PRO TWIN AUGER TANDEM AXLE EXPRESS

FEATURES - FIXED OR ELEVATING FRONT CONVEYOR



STANDARD FEATURES	16M	19M	22M	25M
CAPACITY / LEVEL	8000 kg*	9500 kg*	11000 kg*	12500 kg*
VOLUME / LEVEL	16m <sup>3</sup>	19m <sup>3</sup>	22m <sup>3</sup>	25m <sup>3</sup>
TYRE SIZE	385/55R19.5	385/55R19.5	385/55R19.5	385/55R22.5
AXLE TYPE	TANDEM SPRUNG			
PTO SPEED	540 rpm	540 rpm	540 rpm	540 rpm
HP REQUIRED	110	120	130	140
UNLADEN WEIGHT	8325 kg	8730 kg	8960 kg	9160 kg
DOOR CONFIGURATION	FRONT CENTRE DOOR AND FRONT WEBBING CONVEYOR			
DOOR OPERATION	HYDRAULIC			
HYDRAULIC BRAKES	STD	STD	STD	STD
LED LIGHTS	STD	STD	STD	STD
ADJUSTABLE CORNER KNIVES	STD	STD	STD	STD
RUBBER STRAW RETAINING RING	STD	STD	STD	STD
HYDRAULIC CONTROL	HOSES DIRECT TO TRACTOR			
NUMBER OF LOAD CELLS	4	4	4	4
NUMBER OF AUGERS	2	2	2	2
NUMBER OF BLADES	7	7	10	11
TWO SPEED GEARBOX	STD	STD	STD	STD
AUGER MAGNET	STD	STD	STD	STD
<b>OPTIONS</b>				
ELEVATING FRONT CONVEYOR	OPT	OPT	OPT	OPT
FIXED FRONT CONVEYOR	OPT	OPT	OPT	OPT
MANUAL VALVE HYD CONTROL	OPT	OPT	OPT	OPT
ELECTRIC HYD CONTROL	OPT	OPT	OPT	OPT
ELEC. CONTROL <small>WITH VARI SPEED CONVEYOR</small>	OPT	OPT	OPT	OPT
DG400 BASIC SCALE SYSTEM	OPT	OPT	OPT	OPT
DG600 PROG. SCALE SYSTEM	OPT	OPT	OPT	OPT
REMOTE SCALE HEAD	OPT	OPT	OPT	OPT
DG REMOTE ZERO	OPT	OPT	OPT	OPT
DG GPRS DATA TRANSFER KIT	OPT	OPT	OPT	OPT
BATTERY PACK FOR SCALE	OPT	OPT	OPT	OPT
WIDE ANGLE PTO	OPT	OPT	OPT	OPT
385/55R19.5 TYRES	OPT	OPT	OPT	OPT
435/50R19.5 TYRES	OPT	OPT	OPT	OPT
TUB RISER KIT <small>(INC 385/45R22.5 SUPER SINGLES)</small>	OPT	OPT	OPT	OPT
TUNGSTEN BLADES	OPT	OPT	OPT	OPT
REAR CENTRE DOOR	N/A	N/A	N/A	N/A
AIR BRAKES	OPT	OPT	OPT	OPT
STEERING AXLE (HYD BRAKES)	OPT	OPT	OPT	OPT
STEERING AXLE (AIR BRAKES)	OPT	OPT	OPT	OPT

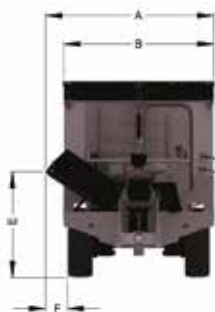
\* DEPENDING UPON FEED DM%

# POWERMIX PRO TWIN AUGER TANDEM AXLE EXPRESS

## DIMENSIONS



MODEL	A	B	C	D	E	F	G
16m <sup>3</sup>	2730 mm	2350 mm	7580 mm	2599 mm	1500 mm	465 mm	5200 mm
19m <sup>3</sup>	2730 mm	2350 mm	7690 mm	2899 mm	1500 mm	465 mm	5200 mm
22m <sup>3</sup>	2730 mm	2350 mm	7800 mm	3199 mm	1500 mm	465 mm	5200 mm
25m <sup>3</sup>	2730 mm	2350 mm	7870 mm	3399 mm	1500 mm	465 mm	5200 mm



# POWERMIX PLUS SINGLE AXLE 16m-20m COMPACT

## FEATURES - ELEVATING FRONT CONVEYOR



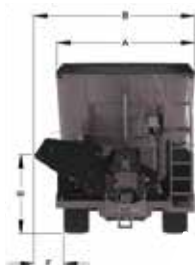
STANDARD FEATURES	16M	18M	20M
CAPACITY / LEVEL	8000 kg*	9000 kg*	10000 kg*
VOLUME / LEVEL	16m <sup>3</sup>	18m <sup>3</sup>	20m <sup>3</sup>
TYRE SIZE	435/55R19.5	435/55R19.5	435/55R19.5
AXLE TYPE	SINGLE		
PTO SPEED	540 rpm	540 rpm	540 rpm
HP REQUIRED	110	120	130
UNLADEN WEIGHT	7648 kg	7680 kg	7864 kg
DOOR CONFIGURATION	FRONT CENTRE DOOR & FRONT WEBBING CONVEYOR		
DOOR OPERATION	HYDRAULIC		
HYDRAULIC BRAKES	STD	STD	STD
LED LIGHTS	STD	STD	STD
ADJUSTABLE CORNER KNIVES	STD	STD	STD
STEEL STRAW RETAINING RING	STD	STD	STD
HYDRAULIC CONTROL	HOSES DIRECT TO TRACTOR		
NUMBER OF LOAD CELLS	3	3	3
NUMBER OF AUGERS	2	2	2
NUMBER OF BLADES	7	7	7
ELEVATING FRONT CONVEYOR	STD	STD	STD
TWO SPEED GEARBOX	STD	STD	STD
AUGER MAGNET	STD	STD	STD
<b>OPTIONS</b>			
MANUAL VALVE HYD CONTROL	OPT	OPT	OPT
ELECTRIC WITH VARI SPEED CONVEYOR 2 SPD CHANGE	OPT	OPT	OPT
WIRELESS WITH VARI SPEED CONVEYOR 2 SPD CHANGE	OPT	OPT	OPT
ELECTRIC WITH VARI SPEED CONVEYOR	OPT	OPT	OPT
DG400 BASIC SCALE SYSTEM	OPT	OPT	OPT
DG600 PROG. SCALE SYSTEM	OPT	OPT	OPT
REMOTE SCALE HEAD	OPT	OPT	OPT
DG REMOTE ZERO	OPT	OPT	OPT
DG GPRS DATA TRANSFER KIT	OPT	OPT	OPT
BATTERY PACK FOR SCALE	OPT	OPT	OPT
WIDE ANGLE PTO	OPT	OPT	OPT
TUNGSTEN BLADES	OPT	OPT	OPT
REAR CENTRE DOOR	OPT	OPT	OPT

# POWERMIX PLUS SINGLE AXLE 16m-20m COMPACT

## DIMENSIONS



MODEL - TYRE	A	B	C	D	E	F	G
16m <sup>3</sup> - 435/50 R19.5	2380 mm	2730 mm	7355 mm	2810 mm	1450 mm	463 mm	5100 mm
16m <sup>3</sup> - 385/65 R22.5	2380 mm	2730 mm	7355 mm	2945 mm	1585 mm	489 mm	5100 mm
16m <sup>3</sup> - 235/75 R17.5	2380 mm	2730 mm	7355 mm	2730 mm	1370 mm	402 mm	5100 mm
18m <sup>3</sup> - 435/50 R19.5	2380 mm	2730 mm	7355 mm	2945 mm	1450 mm	463 mm	5100 mm
18m <sup>3</sup> - 385/65 R22.5	2380 mm	2730 mm	7355 mm	3080 mm	1585 mm	489 mm	5100 mm
18m <sup>3</sup> - 235/75 R17.5	2380 mm	2730 mm	7355 mm	2865 mm	1370 mm	402 mm	5100 mm
20m <sup>3</sup> - 435/50 R19.5	2380 mm	2730 mm	7355 mm	3135 mm	1450 mm	463 mm	5100 mm
20m <sup>3</sup> - 385/65 R22.5	2380 mm	2730 mm	7355 mm	3270 mm	1585 mm	489 mm	5100 mm
20m <sup>3</sup> - 235/75 R17.5	2380 mm	2730 mm	7355 mm	3055 mm	1370 mm	402 mm	5100 mm



# POWERMIX PLUS TANDEM AXLE 16m-22m COMPACT

FEATURES - ELEVATING FRONT CONVEYOR



STANDARD FEATURES	16M	18M	20M	22M
CAPACITY / LEVEL	8000 kg*	9000 kg*	10000 kg*	11000 kg*
VOLUME / LEVEL	16m <sup>3</sup>	18m <sup>3</sup>	20m <sup>3</sup>	22m <sup>3</sup>
TYRE SIZE	385/55R22.5	385/55R22.5	385/55R22.5	385/55R22.5
AXLE TYPE	TANDEM SPRUNG			
PTO SPEED	540 rpm	540 rpm	540 rpm	540 rpm
HP REQUIRED	110	120	130	140
UNLADEN WEIGHT	8308 kg	8340 kg	8524 kg	8637 kg
DOOR CONFIGURATION	FRONT CENTRE DOOR AND FRONT WEBBING CONVEYOR			
DOOR OPERATION	HYDRAULIC			
HYDRAULIC BRAKES	STD	STD	STD	STD
LED LIGHTS	STD	STD	STD	STD
ADJUSTABLE CORNER KNIVES	STD	STD	STD	STD
STEEL STRAW RETAINING RING	STD	STD	STD	STD
HYDRAULIC CONTROL	HOSES DIRECT TO TRACTOR			
NUMBER OF LOAD CELLS	3	3	3	3
NUMBER OF AUGERS	2	2	2	2
NUMBER OF BLADES	7	7	7	8
ELEVATING FRONT CONVEYOR	STD	STD	STD	STD
TWO SPEED GEARBOX	STD	STD	STD	STD
AUGER MAGNET	STD	STD	STD	STD
<b>OPTIONS</b>				
MANUAL VALVE HYD CONTROL	OPT	OPT	OPT	OPT
ELECTRIC CONTROL WITH VARI SPEED CONVEYOR / 2 SPD CHANGE	OPT	OPT	OPT	OPT
WIRELESS CONTROL WITH VARI SPEED CONVEYOR / 2 SPD CHANGE	OPT	OPT	OPT	OPT
ELECTRIC CONTROL WITH VARI SPEED CONVEYOR	OPT	OPT	OPT	OPT
DG400 BASIC SCALE SYSTEM	OPT	OPT	OPT	OPT
DG600 PROG. SCALE SYSTEM	OPT	OPT	OPT	OPT
REMOTE SCALE HEAD	OPT	OPT	OPT	OPT
DG REMOTE ZERO	OPT	OPT	OPT	OPT
DG GPRS DATA TRANSFER KIT	OPT	OPT	OPT	OPT
BATTERY PACK FOR SCALE	OPT	OPT	OPT	OPT
WIDE ANGLE PTO	OPT	OPT	OPT	OPT
TUB RISER KIT <small>(INC 386/65R22.5 SUPER SINGLES)</small>	OPT	OPT	OPT	OPT
TUNGSTEN BLADES	OPT	OPT	OPT	OPT
REAR CENTRE DOOR	OPT	OPT	OPT	OPT
AIR BRAKES	OPT	OPT	OPT	OPT
STEERING AXLE (HYD BRAKES)	OPT	OPT	OPT	OPT
STEERING AXLE (AIR BRAKES)	OPT	OPT	OPT	OPT



# POWERMIX PLUS TANDEM AXLE 16m-22m COMPACT DIMENSIONS



MODEL - TYRE	A	B	C	D	E	F	G
16m <sup>3</sup> - 385/55 R22.5	2380 mm	2730 mm	7355 mm	2925 mm	1565 mm	489 mm	5100 mm
16m <sup>3</sup> - 385/55 R19.5	2380 mm	2730 mm	7355 mm	2862 mm	1502 mm	489 mm	5100 mm
18m <sup>3</sup> - 385/55 R22.5	2380 mm	2730 mm	7355 mm	3060 mm	1565 mm	489 mm	5100 mm
18m <sup>3</sup> - 385/55 R19.5	2380 mm	2730 mm	7355 mm	2997 mm	1502 mm	489 mm	5100 mm
20m <sup>3</sup> - 385/55 R22.5	2380 mm	2730 mm	7355 mm	3250 mm	1565 mm	489 mm	5100 mm
20m <sup>3</sup> - 385/55 R19.5	2380 mm	2730 mm	7355 mm	3187 mm	1502 mm	489 mm	5100 mm
22m <sup>3</sup> - 385/55 R22.5	2380 mm	2730 mm	7355 mm	3428 mm	1565 mm	489 mm	5100 mm
22m <sup>3</sup> - 385/55 R19.5	2380 mm	2730 mm	7355 mm	3365 mm	1502 mm	489 mm	5100 mm



# POWERMIX PLUS TANDEM AXLE 22m-30m WIDE BODY

## FEATURES - ELEVATING FRONT CONVEYOR



STANDARD FEATURES	22M	24M	28M	30M
CAPACITY / LEVEL	11000 kg*	12000 kg*	14000 kg*	15000 kg*
VOLUME / LEVEL	22m <sup>3</sup>	24m <sup>3</sup>	28m <sup>3</sup>	30m <sup>3</sup>
TYRE SIZE	435/50R19.5	435/50R19.5	435/50R19.5	435/50R19.5
AXLE TYPE	TANDEM SPRUNG			
PTO SPEED	540 rpm	540 rpm	540 rpm	540 rpm
HP REQUIRED	130	130	160	160
UNLADEN WEIGHT	10105 kg	10155 kg*	11048 kg*	11098 kg
DOOR CONFIGURATION	FRONT CENTRE DOOR AND FRONT WEBBING CONVEYOR			
DOOR OPERATION	HYDRAULIC	HYDRAULIC	HYDRAULIC	HYDRAULIC
HYDRAULIC BRAKES	STD	STD	STD	STD
LED LIGHTS	STD	STD	STD	STD
ADJUSTABLE CORNER KNIVES	STD	STD	STD	STD
STEEL STRAW RETAINING RING	STD	STD	STD	STD
HYDRAULIC CONTROL	HOSES DIRECT TO TRACTOR			
NUMBER OF LOAD CELLS	6	6	6	6
NUMBER OF AUGERS	2	2	2	2
NUMBER OF BLADES	7	7	9	9
ELEVATING FRONT CONVEYOR	STD	STD	STD	STD
TWO SPEED GEARBOX	STD	STD	STD	STD
AUGER MAGNET	STD	STD	STD	STD
<b>OPTIONS</b>				
MANUAL VALVE HYD CONTROL	OPT	OPT	OPT	OPT
ELECTRIC CONTROL WITH VARI SPEED CONVEYOR / 2 SPD CHANGE	OPT	OPT	OPT	OPT
WIRELESS ELECTRIC CONTROL WITH VARI SPEED CONVEYOR / 2 SPD CHANGE	OPT	OPT	OPT	OPT
ELECTRIC CONTROL WITH VARI SPEED CONVEYOR	OPT	OPT	OPT	OPT
DG400 BASIC SCALE SYSTEM	OPT	OPT	OPT	OPT
DG600 PROG. SCALE SYSTEM	OPT	OPT	OPT	OPT
REMOTE SCALE HEAD	OPT	OPT	OPT	OPT
AIR BRAKES	OPT	OPT	OPT	OPT
STEERING AXLE	OPT	OPT	OPT	OPT
DG REMOTE ZERO	OPT	OPT	OPT	OPT
DG GPRS DATA TRANSFER KIT	OPT	OPT	OPT	OPT
BATTERY PACK FOR SCALE	OPT	OPT	OPT	OPT
WIDE ANGLE PTO	OPT	OPT	OPT	OPT
TUNGSTEN BLADES	OPT	OPT	OPT	OPT
REAR CENTRE DOOR	N/A	N/A	N/A	N/A
CORNER REAR DOOR (LH)	OPT	OPT	OPT	OPT

# POWERMIX PLUS TANDEM AXLE 22m-30m WIDE BODY

## DIMENSIONS



MODEL - TYRE	A	B	C	D	E	F	G
22m <sup>3</sup> - 435/50 R19.5	2965 mm	2756 mm	8250 mm	2900 mm	1555 mm	335 mm	5530 mm
24m <sup>3</sup> - 435/50 R19.5	2965 mm	2756 mm	8250 mm	3085 mm	1555 mm	335 mm	5530 mm
28m <sup>3</sup> - 435/50 R19.5	2965 mm	2756 mm	8250 mm	3310 mm	1555 mm	335 mm	5530 mm
30m <sup>3</sup> - 435/50 R19.5	2965 mm	2756 mm	8250 mm	3495 mm	1555 mm	335 mm	5530 mm



# POWERMIX TYRE OPTIONS

## SPECIFICATION

TYRE	HEIGHT	WIDTH
425/40 B17	788 mm	425 mm
385/65 R22.5	1080 mm	385 mm
435/50 R19.5	928 mm	446 mm
18R22.5	1160 mm	455 mm
385/55 R19.5	930 mm	385 mm
385/55 R22.5	996 mm	386 mm
275/75 R17.5	780 mm	500 mm

### 425/40 B17

FOR USE ON SINGLE AUGER MACHINES TO REDUCE HEIGHT. WEIGHT RESTRICTIONS APPLY



### 385/55 R19.5

STANDARD TYRE ON ALL SINGLE AUGER MODELS



### 385/55 R22.5

STANDARD TYRE ON ALL TANDEM AXLE MACHINES. (16m-22m)



### 385/65 R22.5 SUPER SINGLE

OPTIONAL ON ALL SINGLE AUGER AND TWIN AUGER TANDEM AXLE MACHINES WHEN ADDITIONAL DISCHARGE HEIGHT IS REQUIRED, AXLE SPACERS REQUIRED



# POWERMIX TYRE OPTIONS

## SPECIFICATION

### **435/50 R19.5**

STANDARD TWIN AUGER SINGLE AXLE TYRE, OPTIONAL ON TWIN AUGER TANDEM AXLE MACHINES. (STANDARD ON 22m-30m WIDE-BODY)



### **18R 22.5**

OPTIONAL ON TWIN AUGER SINGLE AXLE MACHINES WHERE A HIGHER DISCHARGE HEIGHT IS REQUIRED



### **275/75 R17.5 (DUALS)**

OPTIONAL ON SINGLE AXLE TWIN AUGER PLUS MACHINES (16m-20m). WHEN A LOWER MACHINE HEIGHT IS REQUIRED



### **STEERING AXLE**

OPTIONAL ON ALL TWIN AUGER TANDEM AXLE MACHINES

# POWERMIX

## HYDRAULIC CONTROL OPTIONS

### MANUAL VALVE BLOCK HYDRAULIC CONTROL

- ALLOWS 3 HYDRAULIC SERVICES TO BE OPERATED FROM ONE SPOOL VALVE
- CAN BE MOUNTED TO AN ADJUSTABLE ARM ON THE MIXER OR TO THE TRACTOR TOP LINK BRACKET



### ELECTRIC HYDRAULIC CONTROLS

- GIVES PRECISE CONVENIENT CONTROL OF 3 HYDRAULIC FUNCTIONS USING ONE SPOOL VALVE
- CONVENIENT EASY TO USE HAND CONTROLLER
- OPTIONAL INCORPORATED CONVEYOR SPEED CONTROL

*ELECTRIC CONTROL  
WITH CONVEYOR  
SPEED CONTROL*



*STANDARD  
ELECTRIC  
CONTROL*

### WIRELESS ELECTRIC HYDRAULIC AND 2 SPEED CONTROL (PLUS ONLY)

- GIVES PRECISE, ACCURATE CONTROL OF ALL HYDRAULIC FUNCTIONS INCLUDING BELT SPEED AND 2 SPEED OPERATION



### ELECTRIC 2 SPEED CONTROL

- ALLOWS ELECTRIC 2 SPEED GEAR CHANGE ON DIRECT COUPLED MACHINES



# POWERMIX AUGER SPEEDS

## SPECIFICATION

MODEL	2 SPEED	540 PTO INPUT	1000 PTO INPUT
SINGLE AUGER (SINGLE SPEED)	N/A	28 rpm	52 rpm
SINGLE AUGER (TWO SPEED)	LOW HIGH	16 rpm *	29 rpm 52 rpm
PRO - TWIN AUGER	LOW HIGH	11 rpm *	21 rpm 37 rpm
PLUS COMPACT - TWIN AUGER (18-22m)	LOW HIGH	16 rpm *	29 rpm 52 rpm
PLUS WIDE BODY - TWIN AUGER (22 & 24m)	LOW HIGH	13 rpm *	24 rpm 43 rpm
PLUS WIDE BODY - TWIN AUGER (28 & 30m)	LOW HIGH	12 rpm *	22 rpm 40 rpm

\* NOT RECOMMENDED



### CORNER REAR DOOR

- A LEFT HAND REAR CORNER DOOR IS AVAILABLE FOR 22m-30m POWERMIX PLUS WIDE BODY MODELS.

### REAR DOOR

- A CENTRE MOUNTED REAR DOOR IS AVAILABLE ON TWIN AUGER POWERMIX PLUS COMPACT MODELS. (16m-22m)



# POWERMIX

## SCALE OPTIONS

### DG400 SCALE

- BASIC SCALE SYSTEM  
COUNTS UP AND DOWN
- TARE FEATURE CAN BE  
USED TO ZERO BETWEEN  
INGREDIENTS



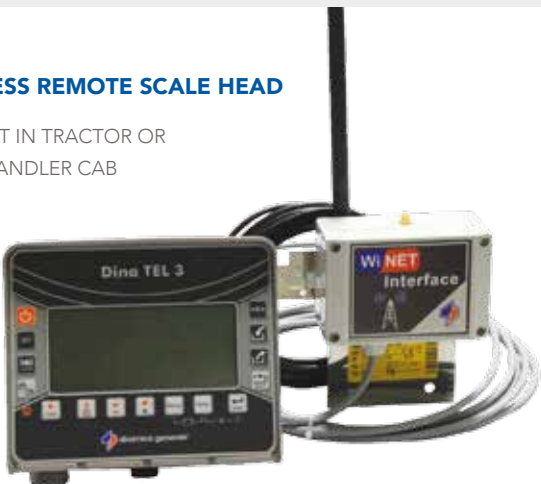
### DG600 SCALE

- PROGRAMMABLE SYSTEM
- EXCHANGE DATA BETWEEN  
PC AND SCALE
- RECORD FEED VOLUME
- TRANSFER DATA WIRELESSLY  
OR BY USB STICK



### WIRELESS REMOTE SCALE HEAD

- MOUNT IN TRACTOR OR  
TELEHANDLER CAB





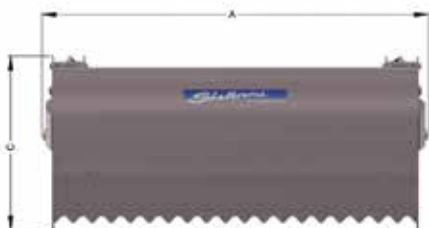
# PARMITER SHEAR BUCKET

## FEATURES



STANDARD FEATURES	SB250	SB300
WIDTH (A)	1.68 m	2.0 m
DEPTH (B)	0.8 m	0.8 m
HEIGHT (C)	0.8 m	0.8 m
CAPACITY	644 kg	787 kg
VOLUME	1.08 cm	1.28 cm
NO OF HYD RAMS	2	2

OPTIONS		
JCB BRACKETS	OPT	OPT
MANITOU BRACKETS	OPT	OPT
MATBRO BRACKETS	OPT	OPT
EURO BRACKETS	OPT	OPT



# CUBICLE BEDDER

## FEATURES



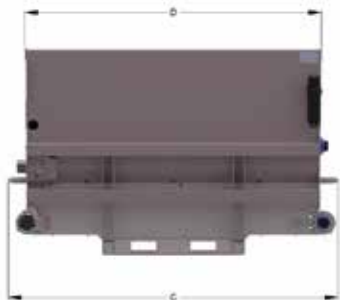
STANDARD FEATURES	CB100	CB150	CB300
CENTRAL AGITATOR SHAFT	STD	STD	STD
ONE PIECE BELT	STD	STD	STD
DISCHARGES BOTH SIDES	STD	STD	STD
EXTERNAL CAST IRON BEARING HOUSINGS	STD	STD	STD
ADJUSTABLE FLOOR SLIDES	STD	STD	STD
PRESSURE CONTROL VALVE	STD	STD	STD
OPTIONS			
FIXED 3 PT LINKAGE BRACKETS	OPT	OPT	OPT
HYDRAULIC 3 PT LINKAGE TIPPING FRAME	OPT	OPT	OPT
JCB BRACKETS	OPT	OPT	OPT
MANITOU BRACKETS	OPT	OPT	OPT
MATBRO BRACKETS	OPT	OPT	OPT
EURO BRACKETS	OPT	OPT	OPT
STRAW ROTOR	OPT	OPT	OPT

# CUBICLE BEDDER

## DIMENSIONS



STANDARD FEATURES	CB100	CB150	CB300
MACHINE CAPACITY	0.6 m <sup>3</sup>	1.2 m <sup>3</sup>	1.45 m <sup>3</sup>
OVERALL HEIGHT (A)	1170 mm	1390 mm	1390 mm
OVERALL DEPTH (F)	1235 mm	1420 mm	1420 mm
OVERALL WIDTH(C)	1600 mm	1900 mm	2200 mm
TUB WIDTH (D)	1370 mm	1670 mm	1970 mm
TUB DEPTH (B)	1150 mm	1390 mm	1390 mm
WIDTH OF DISCHARGE BELT (E)	300 mm	300 mm	300 mm
STANDARD HYDRAULIC CONVEYOR MOTOR	30-35 l/min	30-35 l/min	30-35 l/min
MEDIUM HYDRAULIC CONVEYOR MOTOR	24-28 l/min	24-28 l/min	24-28 l/min
LOW HYDRAULIC CONVEYOR MOTOR	15-22 l/min	15-22 l/min	15-22 l/min
MIN HYDRAULIC OIL PRESSURE	125 bar	125 Bbar	125 bar
MAX HYDRAULIC OIL PRESSURE	180 bar	180 bar	180 bar
OPTIMUM HYDRAULIC OIL FLOW	30-35 l/min	30-35 l/min	30-35 l/min
MAX HYDRAULIC OIL FLOW	60 l/min	60 l/min	60 l/min
WEIGHT	440 kg	530 kg	580 kg
MIN TRACTOR SIZE	30 hp	30 hp	30 hp



# PICK-UP HEADER

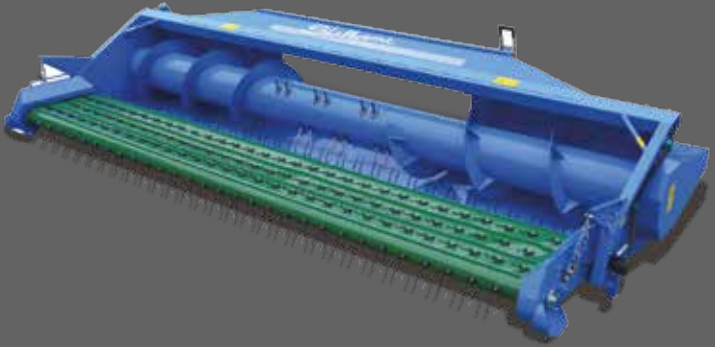
## FEATURES



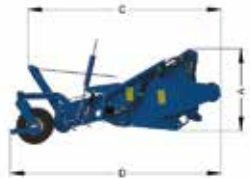
STANDARD FEATURES	PUH13M	PUH15M
INTERCHANGEABLE COMBINE ADAPTOR PLATE	STD	STD
SINGLE PIECE PVC DRAPER BELT WITH PLASTIC TINES	STD	STD
AUGER PAN SKIDS	STD	STD
DRAPER SKIDS	STD	STD
COMBINE PTO DRIVE TO AUGER	STD	STD
COMBINE REEL HYDRAULICS DRIVE TO DRAPER	STD	STD
OPTIONS		
DRAPER GAUGE WHEELS	OPT	OPT
CLAAS SINGLE POINT HYDRAULIC MULTI COUPLER	OPT	OPT

# PICK-UP HEADER

## DIMENSIONS



	PUH13M	PUH15M
HEIGHT (A)	1200 mm	1200 mm
DEPTH, SKIDS FITTED (B)	2250 mm	2250 mm
DEPTH, CROP SLIDES FITTED (C)	2450 mm	2450 mm
DEPTH, CASTER WHEELS FITTED (D)	2700 mm	2700 mm
WIDTH, SKIDS FITTED (E)	4580 mm	5180 mm
WIDTH, CASTER WHEELS FITTED (F)	4930 mm	5530 mm
EFFECTIVE PICK UP WIDTH (G)	3916 mm	4516 mm
WEIGHT	1060 kg	1220 kg



# RSD STRIPPER HEADER

## FEATURES



	CLH8	RSD12	RSD16	RSD20	RSD24	RSD28	RSD32
INTERCHANGABLE COMBINE ADAPTOR PLATE	N/A	STD	STD	STD	STD	STD	STD
VARIABLE SPEED BELT DRIVE	N/A	N/A	N/A	N/A	N/A	N/A	N/A
INTERCHANGABLE PULLEY ROTOR DRIVE WITH TIMING BELT	N/A	STD	STD	STD	STD	STD	STD
INTERCHANGABLE PULLEY ROTOR DRIVE WITH V BELT	STD	N/A	N/A	N/A	N/A	N/A	N/A
CAB MOUNTED PERFORMANCE MONITOR	STD	STD	STD	STD	STD	STD	STD
ADJUSTABLE GROUND CONTACT SKIDS	STD (2)	STD (2)	STD (2)	STD (2)	STD (2)	STD (2)	STD (4)
PIVOTING ADAPTOR PLATE	N/A	N/A	N/A	N/A	N/A	N/A	N/A
SPRING LOADED GUAGE WHEELS	N/A	N/A	N/A	N/A	N/A	N/A	N/A
8 ROWS OF STAINLESS STEEL STRIPPING FINGERS	STD	STD	STD	STD	STD	STD	STD
CHAIN DRIVE AUGER WITH HEAVY DUTY SLIP CLUTCH	N/A	STD	STD	STD	STD	STD	STD
CENTRE AUGER FEED	STD	STD	STD	STD	STD	STD	STD
HEADER OFFSET	CENT	CENT	CENT	CENT	OFFSET*	OFFSET**	OFFSET***
<b>OPTIONS</b>							
CLAAS SINGLE POINT HYDRAULIC MULTI COUPLER	OPT	OPT	OPT	OPT	OPT	OPT	OPT
RIGHT HAND AUGER FEED	OPT	OPT	OPT	OPT	OPT	OPT	OPT
GRASS SEED KIT	OPT	OPT	OPT	OPT	OPT	OPT	OPT



GRASSES



CEREAL CROPS



RICE



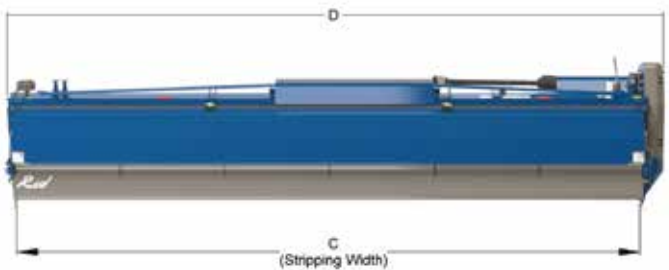
HEMP

# RSD STRIPPER HEADER

## DIMENSIONS



MODEL	A	B	C	D	WEIGHT
RSD12	1152 mm	2226 mm	3600 mm	4055 mm	1500 kg
RSD16	1152 mm	2226 mm	4800 mm	5255 mm	1700 kg
RSD20	1152 mm	2226 mm	6000 mm	6470 mm	2100 kg
RSD24	1152 mm	2226 mm	7200 mm	7670 mm	2350 kg
RSD28	1152 mm	2226 mm	8400 mm	8870 mm	2930 kg
RSD32	1152 mm	2226 mm	9600 mm	10070 mm	3080 kg



# CVS STRIPPER HEADER

## FEATURES



	CVS12	CVS16	CVS20	CVS24	CVS28	CVS32
INTERCHANGABLE COMBINE ADAPTOR PLATE	STD	STD	STD	STD	STD	STD
VARIABLE SPEED BELT DRIVE	STD	STD	STD	STD	STD	STD
INTERCHANGABLE PULLEY DRIVE WITH TIMING BELT	N/A	N/A	N/A	N/A	N/A	N/A
CAB MOUNTED PERFORMANCE MONITOR	STD	STD	STD	STD	STD	STD
ADJUSTABLE GROUND CONTACT SKIDS	STD (2)	STD (2)	STD (2)	STD (2)	STD (4)	STD (4)
PIVOTING ADAPTOR PLATE	N/A	N/A	N/A	N/A	N/A	N/A
SPRING LOADED GAUGE WHEELS	N/A	N/A	N/A	N/A	N/A	N/A
8 ROWS OF STAINLESS STEEL STRIPPING FINGERS	STD	STD	STD	STD	STD	STD
CHAIN DRIVE AUGER WITH HEAVY DUTY SLIP CLUTCH	STD	STD	STD	STD	STD	STD
HEADER OFFSET	CENT	CENT	CENT	OFFSET*	OFFSET**	OFFSET***
<b>OPTIONS</b>						
CLAAS SINGLE POINT HYDRAULIC MULTI COUPLER	OPT	OPT	OPT	OPT	OPT	OPT

ALL CVS MODELS ARE AVAILABLE AS CSD MACHINES WITH A HTD DRIVE



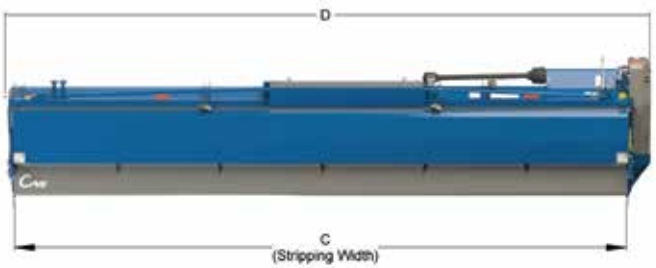


# CVS STRIPPER HEADER

## DIMENSIONS



MODEL	A	B	C	D	WEIGHT
CVS12	1152 mm	2226 mm	5400 mm	5870 mm	1500 kg
CVS16	1152 mm	2226 mm	5400 mm	5870 mm	1700 kg
CVS20	1152 mm	2226 mm	6000 mm	6470 mm	2100 kg
CVS24	1152 mm	2226 mm	7200 mm	7670 mm	2350 kg
CVS28	1152 mm	2226 mm	8400 mm	8870 mm	2930 kg
CVS32	1152 mm	2226 mm	9600 mm	10070 mm	3080 kg



# X SERIES STRIPPER HEADER

## FEATURES



STANDARD FEATURES	XCV32	XCV36	XCV42	XRS36
INTERCHANGABLE COMBINE ADAPTOR PLATE	STD	STD	STD	STD
VARIABLE SPEED BELT DRIVE	STD	STD	STD	N/A
INTERCHANGABLE PULLEY DRIVE WITH TIMING BELT	N/A	N/A	N/A	STD
CAB MOUNTED PERFORMANCE MONITOR	STD	STD	STD	STD
ADJUSTABLE GROUND CONTACT SKIDS	STD (4)	STD (4)	STD (4)	STD (4)
PIVOTING ADAPTOR PLATE	STD	STD	STD	STD
SPRING LOADED GAUGE WHEELS	STD	STD	STD	N/A
8 ROWS OF STAINLESS STEEL STRIPPING FINGERS	STD	STD	STD	STD
CHAIN DRIVE AUGER WITH HEAVY DUTY SLIP CLUTCH	STD	STD	STD	STD
HEADER OFFSET	CENT	CENT	CENT	CENT
OPTIONS				
CLAAS SINGLE POINT HYDRAULIC MULTI COUPLER	OPT	OPT	OPT	OPT

ALL XCV MODELS ARE AVAILABLE AS XCS MACHINES WITH AN HTD DRIVE

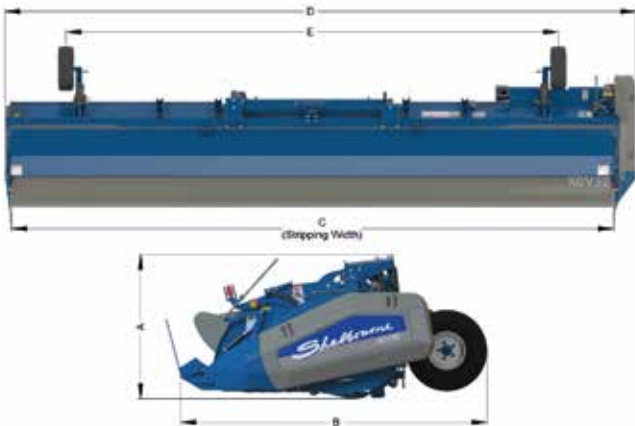


# X SERIES STRIPPER HEADER

## DIMENSIONS



MODEL	A	B	C	D	E	WEIGHT
XCV32	1233 mm	2670 mm	9636 mm	10080 mm	7961 mm	3700 kg
XCV36	1233 mm	2670 mm	10836 mm	11280 mm	8311 mm	3960 kg
XCV42	1233 mm	2670 mm	12636 mm	13080 mm	10111 mm	4460 kg
XRS36	1233 mm	2670 mm	10836 mm	11280 mm	N/A	3960 kg



# MEKANAG HEADER TRAILER

## APPLICATION GUIDE



MODEL	SIZE	CNH	JD	AGCO	MACDON
6000SA	UPTO 20'	16,18,20' VF	616R,618R,620R,618PF	14FF,16FF,18FF,20FF	
6000TA	UPTO 20'	16,18,20' VF	616R,618R,620R,618PF,620PF	14FF,16FF,18FF,20FF	
7500SA	UPTO 25'	22' VF	622R,625R (NO ZURN)	23FF,25FF	
7500TA	UPTO 25'	22,25' VF	622R,625R,6/722X,722PF,725PF	23FF,25FF,18PF,20PF, 22PF,25PF	
9000TA	UPTO 30'	30 VF	630R,6/725X,6/730X,730PF	N/A	
9000FW	UPTO 30'	30 VF	630R,730PF,730D	30SF	30'
9000FWS	UPTO 30'	30 VF	630R,730PF,730D	30SF	30'
10500TAB	UPTO 35'	35 VF	635R,6/735X,735PF	N/A	
10500FW	UPTO 35'	35 VF	635R,6/735X,735PF,735D	35SF	35'
10500FWS	UPTO 35'	35 VF	635R,6/735X,735PF,735D	35SF	35'
12000FW	UPTO 40'	41 VF	6/740X,640PF,740D	40SF	40'
12000FWS	UPTO 40'	41 VF	6/740X,640PF,740D	40SF	40'

### KEY:

#### CNH

VF = VARI FEED

#### JD

R = R SERIES

X = X SERIES

PF = PREMIUM FLOW

D = DRAPER

#### AGCO

FF = FREE FLOW

PF = POWER FLOW

SF = SUPER FLOW

# MEKANAG HEADER TRAILER

## FEATURES



	LIGHTS	BRAKES	
6000SA	OPT	OPT	
6000SAB	STD	STD	
6000TA	STD	OPT	
6000TAB	STD	STD	
7500SA	OPT	OPT	
7500SAB	STD	STD	
7500TA	STD	OPT	
7500TAB	STD	STD	
9000TA	STD	OPT	
9000TAB	STD	STD	
9000FW	STD	STD	
9000FWS	STD	STD	
10500TAB	STD	STD	
10500FW	STD	STD	
10500FWS	STD	STD	
12000FW	STD	STD	
12000FWS	STD	STD	

### OPTIONS

LIGHTS	OPT
ACCESSORIES BOX	OPT
OSR EXT KIT	OPT
JD X SERIES BRACKETS	OPT
SA SPARE WHEEL 10/75 - 15.3	OPT
TA SPARE WHEEL 10/80 - 12	OPT
TA SPARE WHEEL 10/80 - 12 (ARAMID)	OPT
FW/S SPARE WHEEL 11.5/80 - 15.3	OPT

# MEKANAG HEADER TRAILER

## SPECIFICATION



MODEL	APPLICATION	AXLE CONFIG.	SPEC	TYRES	CHASSIS	WEIGHT
6000SA	UPTO 20' HEADS	SINGLE	6 STUD	10.0/75-15.5	SINGLE BEAM	950 kg
6000TA	UPTO 20' HEADS	TANDEM WALKING BEAM	5 STUD	10.0/80-12	SINGLE BEAM	1200 kg
7500SA	UPTO 25' HEADS	SINGLE	6 STUD	10.0/75-15.3	SINGLE BEAM	1050 kg
7500TA	UPTO 25' HEADS	TANDEM WALKING BEAM	5 STUD	10.0/80-12	SINGLE BEAM	1250 kg
9000TA	UPTO 30' HEADS	TANDEM WALKING BEAM	5 STUD	10.0/80-12	DOUBLE BEAM	1650 kg
9000FW	UPTO 30' HEADS	REAR AXLE & FRONT DOLLY	6 STUD	11.5/80-15.3	LADDER FRAME	2300 kg
9000FWS	UPTO 30' HEADS	STEERING REAR AXLE & FRONT DOLLY	6 STUD	11.5/80-15.3	LADDER FRAME	2300 kg
10500TAB	UPTO 35' HEADS	TANDEM WALKING BEAM	6 STUD	10.0/80-12 ARAMID	DOUBLE BEAM	2150 kg
10500FW	UPTO 35' HEADS	REAR AXLE & FRONT DOLLY	6 STUD	11.5/80-15.3	LADDER FRAME	2500 kg
10500FWS	UPTO 35' HEADS	STEERING REAR AXLE & FRONT DOLLY	6 STUD	11.5/80-15.3	LADDER FRAME	2500 kg
12000FW	UPTO 40' HEADS	REAR AXLE & FRONT DOLLY	6 STUD	11.5/80-15.3	LADDER FRAME	2700 kg
12000FWS	UPTO 40' HEADS	STEERING REAR AXLE & FRONT DOLLY	6 STUD	11.5/80-15.3	LADDER FRAME	2700 kg

# 400 SERIES TRIMMER

## FEATURES



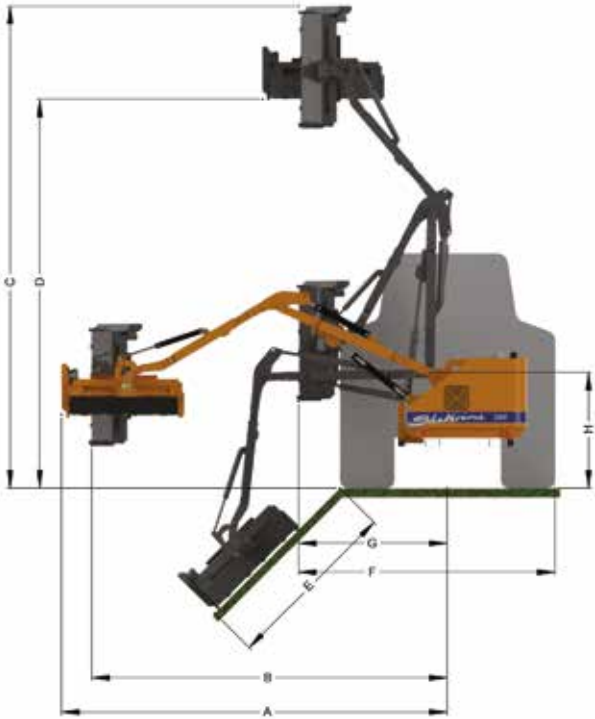
STANDARD FEATURES	450	457
PROGRESSIVE CABLE CONTROL	STD	STD
OIL CAPACITY	170 l	170 l
INDEPENDENT HYDRAULICS	STD	STD
NON PARALLEL OR PARALLEL BOOM GEOMETRY	PARALLEL	PARALLEL
BOOM TYPE	FIXED	FIXED
HYDRAULIC SLEW	90 deg	90 deg
ARM BREAK BACK	STD	STD
TWIN 'V' HEAD DRIVE	STD	STD
1.2 m SIDE MOUNT FLAIL HEAD	STD	STD
4 PT LINKAGE STABILISER	STD	STD
LED ROAD LIGHTS	STD	STD
DRIVE SYSTEM FLOW	73 l/min	73 l/min
DRIVE SYSTEM PRESSURE	250 bar	250 bar
HEAD ANGLING	257 deg	257 deg
ROLLER DIAMETER	101 mm	101 mm
MACHINE WEIGHT INC HEAD & OIL	1190 kg	1220 kg
MIN TRACTOR WEIGHT	3500 kg	3500 kg
MIN TRACTOR	80 hp	80 hp

### OPTIONS

OIL REMOTE JOYSTICK	OPT	OPT
ELECTRIC HEAD / ARM FLOAT	OPT	OPT
HYDRAULIC HEAD ROLLER	OPT	OPT
MANUAL ARM FLOAT (CABLE CONTROLS)	OPT	OPT
OIL COOLER	OPT	OPT
NARROW LANE BRACKET	OPT	OPT

# 400 SERIES TRIMMER

## DIMENSIONS



REACH DIMENSIONS	450	457
MAX REACH (A) HEAD HORIZONTAL	5.16 m	5.84 m
MAX REACH (B) HEAD VERTICAL	4.54 m	5.27 m
MAX HEIGHT (C) HEAD VERTICAL	6.25 m	6.72 m
MAX HEIGHT (D) HEAD HORIZONTAL	4.52 m	5.28 m
MAX REACH (E) DOWNWARDS	3.30 m	4.11 m
MAX REACH (F) AT 45 DEGREE UP	5.35 m	6.01 m
MAX SIDING WIDTH (G) TO TANK	2.35 m	2.35 m
MAX SIDING WIDTH (H) TO CENTER	1.40 m	1.40 m
HEIGHT (I) TO PIVOT	1.55 m	1.55 m

ALL DIMENSIONS ABOVE WITH 1.2 m HEAD



# 400 SERIES TRIMMER

450 & 457 MODELS



450



457



457

# 400 SERIES TRIMMER

## OPTIONS



**PROPORTIONAL JOYSTICK**



**NARROW LANE BRACKET**

**HYDRAULIC HEAD ROLLER**



**OIL COOLER**

# 600 SERIES TRIMMER

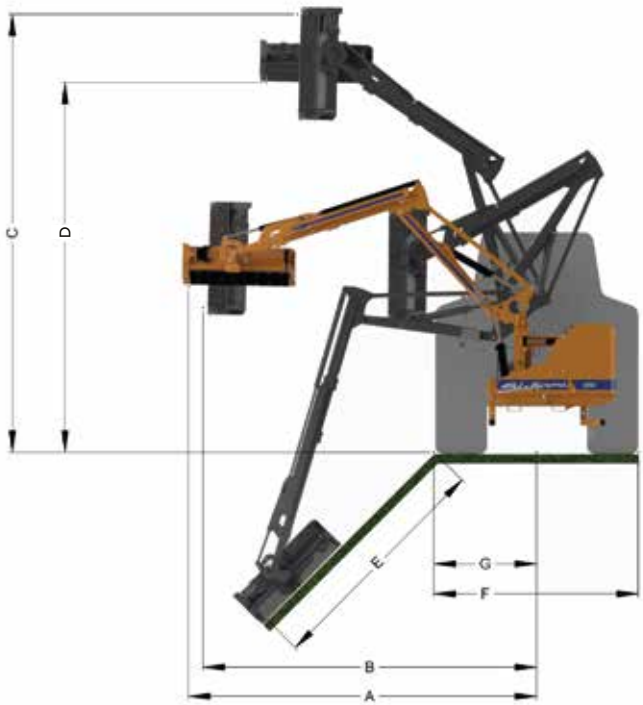
## FEATURES



STANDARD FEATURES	656	660T
ELECTRONIC PROPORTIONAL JOYSTICK CONTROL	STD	STD
OIL CAPACITY	230 l	230 l
INDEPENDENT HYDRAULICS	STD	STD
PARALLEL BOOM GEOMETRY	STD	STD
BOOM TYPE	FIXED	TELESCOPIC
HYDRAULIC SLEW	90 deg	90 deg
ARM BREAK BACK	STD	STD
TWIN 'V' BELT HEAD DRIVE	STD	STD
HD1200 FLAIL HEAD	STD	STD
4 PT LINKAGE STABILISER	STD	STD
LED ROAD LIGHTS	STD	STD
OIL COOLER KIT	STD	STD
DRIVE SYSTEM FLOW	100 l/min	100 l/min
DRIVE SYSTEM PRESSURE	250 bar	250 bar
HEAD ANGLING	240 deg	240 deg
ROLLER DIAMETER	125 mm	125 mm
MACHINE WEIGHT INC HEAD & OIL	1550 kg	1650 kg
MIN TRACTOR WEIGHT	3500 kg	3500 kg
MIN TRACTOR	90 hp	90 hp
OPTIONS		
AXLE SUB FRAME (NOT INC AXLE BRACKETS)	OPT	OPT
AXLE BRACKETS	OPT	OPT
ELECTRIC ARM AND HEAD FLOAT	OPT	OPT
HYDRAULIC HEAD ROLLER	OPT	OPT
NARROW LANE BRACKET	OPT	OPT
600 SERIES HIGHWAY KIT	OPT	OPT
DEBRIS BLOWER	OPT	OPT
VERGE HEAD KIT	OPT	OPT
TWIN ACCUMULATOR FLOAT	OPT	OPT
HYDRAULIC HEAD NOSE	OPT	OPT
HD1500 FLAIL HEAD (IN LIEU OF HD1200)	OPT	OPT

# 600 SERIES TRIMMER

## DIMENSIONS



### REACH DIMENSIONS

656

660T

RETRACTED EXTENDED

	656	660T RETRACTED	660T EXTENDED
MAX REACH (A) HEAD HORIZONTAL	5.78 m	5 m	6.25 m
MAX REACH (B) HEAD VERTICAL	5.43 m	4.81 m	5.96 m
MAX HEIGHT (C) HEAD VERTICAL	6.48 m	6.17 m	7.04 m
MAX HEIGHT (D) HEAD HORIZONTAL	5.63 m	5.01 m	5.87 m
MAX REACH (E) DOWNWARDS	4.05 m	3.05 m	4.13 m
MAX REACH (F) AT 45 DEGREE UP	5.94 m	4.88 m	6.10 m
MAX SIDING WIDTH (G) TO TANK	2.34 m	2.34 m	N/R
MAX SIDING WIDTH (H) TO CENTER	1.38 m	1.38 m	N/R
HEIGHT (I) TO PIVOT	1.55 m	1.55 m	1.55 m

ALL DIMENSIONS ABOVE WITH 1.2 m HEAD (RH) INBOARD DRIVE

# 600 SERIES TRIMMER

656 & 660T MODEL





# 600 SERIES TRIMMER

## OPTIONS



**HYDRAULIC  
ROLLER**



**NARROW  
LANE  
BRACKET**



**ELECTRIC FLOAT**

# 7000 SERIES TRIMMER

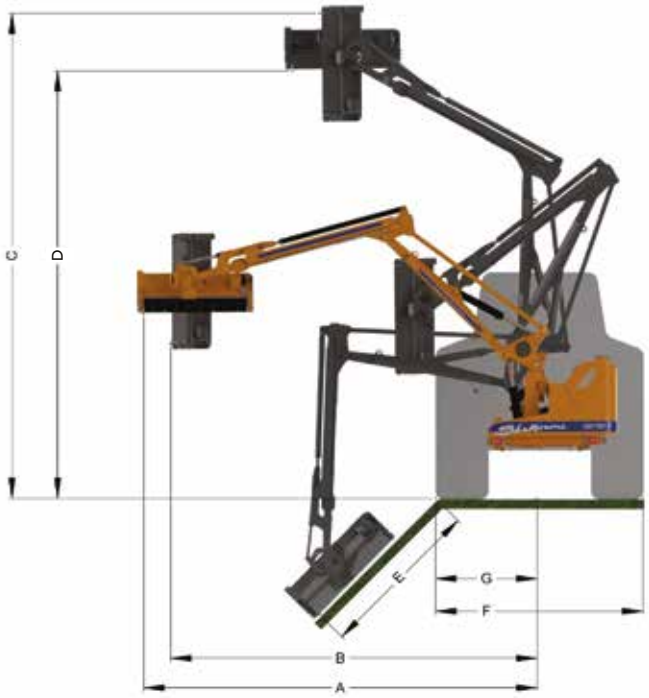
## FEATURES



STANDARD FEATURES	7060T	7062VFR
ELECTRONIC PROPORTIONAL JOYSTICK CONTROL	STD	STD
OIL CAPACITY	190 l	190 l
INDEPENDENT HYDRAULICS	STD	STD
OIL COOLER	STD	STD
PARALLEL BOOM GEOMETRY	STD	STD
BOOM TYPE	TELESCOPIC	VFR
HYDRAULIC SLEW	102 deg	102 deg
ARM BREAK BACK WITH AUTO RESET	STD	STD
HEAD FLOAT	STD	STD
ARM FLOAT	STD	STD
TWIN 'V' BELT HEAD DRIVE	STD	STD
GP1200 FLAIL HEAD (LH DRIVE ONLY)	STD	STD
LED ROAD LIGHTS	STD	STD
DRIVE SYSTEM FLOW	100 l/min	100 l/min
DRIVE SYSTEM PRESSURE	275 bar	275 bar
HEAD ANGLING	253 deg	253 deg
ROLLER DIAMETER	125 mm	125 mm
MACHINE WEIGHT INC HEAD & OIL	1780 kg	1800 kg
MIN TRACTOR WEIGHT	4250 kg	4500 kg
MIN TRACTOR	90 hp	100 hp
OPTIONS		
AXLE SUB FRAME (NOT INC AXLE BRACKETS)	OPT	RECOMMENDED
AXLE BRACKETS	OPT	RECOMMENDED
4 POINT LINKAGE STABILISER	OPT	OPT
HYDRAULIC HEAD ROLLER	OPT	OPT
NARROW LANE BRACKET	OPT	OPT
7000 SERIES HIGHWAY KIT	OPT	OPT
DEBRIS BLOWER	OPT	OPT
VERGE HEAD KIT	OPT	OPT
TWIN ACCUMULATOR FLOAT	OPT	OPT
HYDRAULIC HEAD NOSE (HC ONLY)	OPT	OPT
GP1500 FLAIL HEAD (LH DRIVE ONLY)	OPT	OPT
HC1200 FLAIL HEAD	OPT	OPT
HC1600 FLAIL HEAD	OPT	OPT

# 7000 SERIES TRIMMER

## DIMENSIONS



### REACH DIMENSIONS

	7060T		7062VFR		
	RETRACTED	EXTENDED	STRAIGHT	FORWARD	BACKWARDS
MAX REACH (A) HEAD HORIZONTAL	4.99 m	6.13 m	6.15 m	5.56 m	5.90 m
MAX REACH (B) HEAD VERTICAL	4.83 m	5.97 m	6.00 m	5.41 m	5.75 m
MAX HEIGHT (C) HEAD VERTICAL	6.05 m	6.91 m	7.03m	6.60 m	6.86 m
MAX HEIGHT (D) HEAD HORIZONTAL	5.08 m	5.93 m	6.06 m	5.69 m	5.89 m
MAX REACH (E) DOWNWARDS	3.42 m	4.50 m	4.69 m	4.09 m	4.42 m
MAX SIDING WIDTH (F) TO TANK	2.30 m	N/R	2.55 m	N/R	2.46 m
MIN SIDING WIDTH (G) TO CENTER	1.30 m	N/R	1.47 m	N/R	1.35 m

ALL DIMENSIONS ABOVE WITH 1.2 m HEAD  
(7062 VFR 1.6 m FORWARD & 0.9 m BACKWARDS)



# 7000 SERIES TRIMMER

7062VFR, 7060T MODELS



7062VFR - ARM FORWARD



7062VFR  
- ARM REARWARD



7060T

# 8000 SERIES TRIMMER

## FEATURES



STANDARD FEATURES	8060T	8070T	8080T	8065VFRT	8075VFRT
S-TOUCH COMPACT JOYSTICK & 6" TOUCHSCREEN	STD	STD	STD	STD	STD
OIL CAPACITY	230 l	230 l	230 l	230 l	230 l
INDEPENDENT HYDRAULICS	STD	STD	STD	STD	STD
OIL COOLER	STD	STD	STD	STD	STD
PARALLEL BOOM GEOMETRY	STD	STD	STD	STD	STD
BOOM TYPE	TELE	TELE	TELE	VFR/TELE	VFR/TELE
HYDRAULIC SLEW	102 deg	102 deg	102 deg	102 deg	102 deg
ARM BREAK BACK	STD	STD	STD	STD	STD
HEAD FLOAT	STD	STD	STD	STD	STD
TWIN ACCUMULATOR ARM FLOAT	STD	STD	STD	STD	STD
TWIN 'V' BELT HEAD DRIVE	STD	STD	STD	STD	STD
GP1200 FLAIL HEAD (LH DRIVE ONLY)	STD	STD	STD	STD	STD
LED ROAD LIGHTS	STD	STD	STD	STD	STD
DRIVE SYSTEM FLOW	100 l/min	100 l/min	100 l/min	100 l/min	100 l/min
DRIVE SYSTEM PRESSURE	275 bar	275 bar	275 bar	275 bar	275 bar
HEAD ANGLING	250 deg	250 deg	250 deg	250 deg	250 deg
ROLLER DIAMETER	125 mm	125 mm	125 mm	125 mm	125 mm
MACHINE WEIGHT INC HEAD & OIL	2050 kg	2100 kg	2150 kg	2200 kg	2250 kg
MIN TRACTOR WEIGHT	5500 kg	5500 kg	5500 kg	5500 kg	5500 kg
MIN TRACTOR	130 hp	130 hp	130 hp	130 hp	130 hp

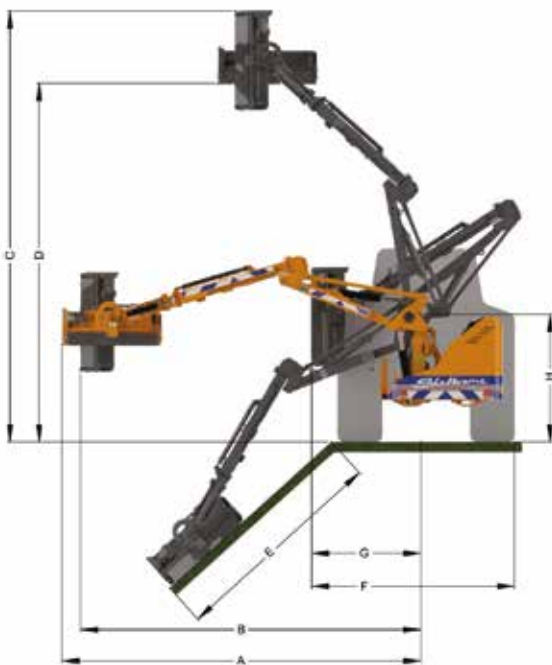
### OPTIONS

AXLE SUB FRAME <small>(NOT INC AXLE BRACKETS)</small>	RECOMMENDED				
AXLE BRACKETS	RECOMMENDED				
HYDRAULIC HEAD ROLLER	OPT	OPT	OPT	OPT	OPT
NARROW LANE BRACKET	OPT	OPT	OPT	OPT	OPT
8000 SERIES HIGHWAY KIT	OPT	OPT	OPT	OPT	OPT
DEBRIS BLOWER	OPT	OPT	OPT	OPT	OPT
VERGE HEAD KIT	OPT	OPT	OPT	OPT	OPT
HYDRAULIC HEAD NOSE (HC ONLY)	OPT	OPT	OPT	OPT	OPT
GP1500 FLAIL HEAD (LH DRIVE ONLY)	OPT	OPT	OPT	OPT	OPT
HC1200 FLAIL HEAD	OPT	OPT	OPT	OPT	OPT
HC1600 FLAIL HEAD	OPT	OPT	OPT	OPT	OPT
S-TOUCH MAX MULTI-FUNCTION JOYSTICK & 6" TOUCHSCREEN CONTROL	OPT	OPT	OPT	OPT	OPT

**FOR SAFETY & STABILITY SHELBOURNE REYNOLDS RECOMMENDS THAT ALL 8000 SERIES TRIMMERS ARE AXLE MOUNTED.**

# 8000 SERIES TELE TRIMMER

## DIMENSIONS



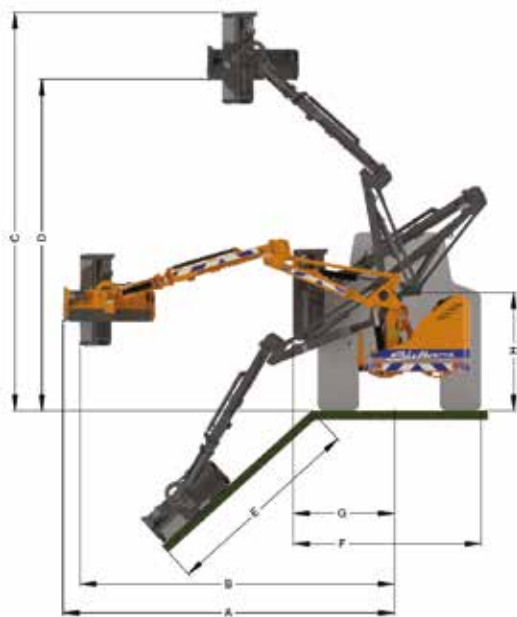
### REACH DIMENSIONS

	8060T		8070T		8080T	
	RETRACTED	EXTENDED	RETRACTED	EXTENDED	RETRACTED	EXTENDED
MAX REACH (A) HEAD HORIZONTAL	4.90 m	6.03 m	5.56 m	6.98 m	6.26 m	8.02 m
MAX REACH (B) HEAD VERTICAL	4.71 m	5.84 m	5.37 m	6.79 m	6.13 m	7.89 m
MAX HEIGHT (C) HEAD VERTICAL	6.09 m	7.01 m	6.73 m	7.90 m	7.09 m	8.35 m
MAX HEIGHT (D) HEAD HORIZONTAL	5.08 m	5.99 m	5.72 m	6.89 m	6.11 m	7.38 m
MAX REACH (E) DOWNWARDS	3.05 m	4.22 m	3.68 m	5.16 m	4.29 m	6.09 m
MAX SIDING WIDTH (F) TO TANK	2.29 m	N/R	2.24 m	N/R	2.24 m	N/R
MAX SIDING WIDTH (G) TO CENTER	1.33 m	N/R	1.28 m	N/R	1.28 m	N/R
HEIGHT (H) TO PIVOT	1.55 m	1.55 m	1.55 m	1.55 m	1.55 m	1.55 m

ALL DIMENSIONS ABOVE WITH 1.2 m HEAD

# 8000 SERIES VFRT TRIMMER

## DIMENSIONS



### REACH DIMENSIONS

	8065 VFRT			8075 VFRT		
	RETRACTED FORWARD	RETRACTED STRAIGHT	RETRACTED BACK	EXTENDED FORWARD	EXTENDED STRAIGHT	EXTENDED BACK
MAX REACH (A) HEAD HORIZONTAL	4.75 m	5.32 m	5.1 m	5.29 m	6.16 m	5.84 m
MAX REACH (B) HEAD VERTICAL	4.61 m	5.17 m	4.96 m	5.15 m	6.02 m	5.7 m
MAX HEIGHT (C) HEAD VERTICAL	5.86 m	6.28 m	6.12 m	6.3 m	6.93 m	6.69 m
MAX HEIGHT (D) HEAD HORIZONTAL	4.81 m	5.24 m	5.08 m	5.25 m	5.88 m	5.65 m
MAX REACH (E) DOWNWARDS	-	3.51 m	-	-	4.36 m	-
MAX SIDING WIDTH (F) TO TANK	-	2.21 m	2.17 m	-	-	-
MAX SIDING WIDTH (G) TO CENTER	-	1.25 m	1.2 m	-	-	-
HEIGHT (H) TO PIVOT	1.55 m	1.55 m	1.55 m	1.55 m	1.55 m	1.55 m

ALL DIMENSIONS ABOVE WITH 1.2 m HEAD

HD865 VFRT 1.38 m FORWARD & 0.89 m BACK (RETRACTED) 2.00 m FORWARD 1.31 m BACK (EXTENDED)

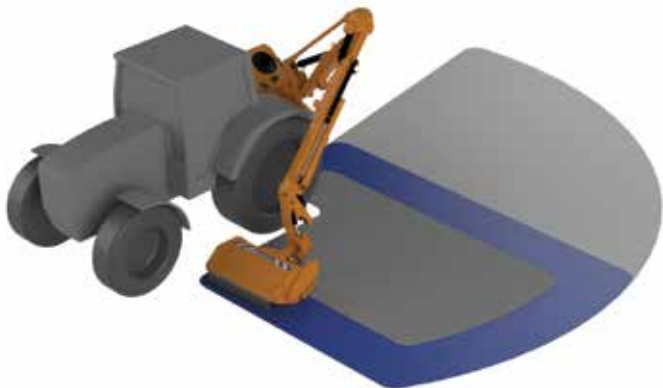
### REACH DIMENSIONS

	8075 VFRT			8085 VFRT		
	RETRACTED FORWARD	RETRACTED STRAIGHT	RETRACTED BACK	EXTENDED FORWARD	EXTENDED STRAIGHT	EXTENDED BACK
MAX REACH (A) HEAD HORIZONTAL	5.21 m	5.88 m	5.64 m	6.02 m	7.06 m	6.68 m
MAX REACH (B) HEAD VERTICAL	5.08 m	5.75 m	5.5 m	5.88 m	6.93 m	6.54 m
MAX HEIGHT (C) HEAD VERTICAL	6.44 m	6.73 m	6.56 m	6.53 m	7.12 m	6.90 m
MAX HEIGHT (D) HEAD HORIZONTAL	5.07 m	5.45 m	5.31 m	5.53 m	6.08 m	5.90 m
MAX REACH (E) DOWNWARDS	-	3.83 m	-	-	4.94 m	-
MAX SIDING WIDTH (F) TO TANK	-	2.26 m	2.16 m	-	-	-
MAX SIDING WIDTH (G) TO CENTER	-	1.30 m	1.19 m	-	-	-
HEIGHT (H) TO PIVOT	1.55 m	1.55 m	1.55 m	1.55 m	1.55 m	1.55 m

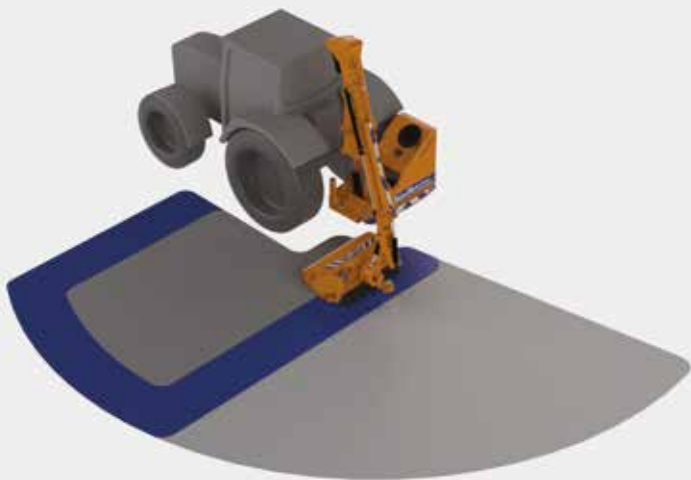
ALL DIMENSIONS ABOVE WITH 1.2 m HEAD

HD875 VFRT 1.6 m FORWARD & 1.3 m BACK (RETRACTED) 2.47 m FORWARD 1.6 m BACK (EXTENDED)

FRONT



REAR



# 8000 TRIMMER AXLE BRACKET OPTION



# 8000 SERIES CONTROLS

## FEATURES



### **S-Touch**

#### **STANDARD: S-TOUCH COMPACT**

4 PROPORTIONAL SERVICE COMPACT JOYSTICK  
6" TOUCHSCREEN CONTROL INTERFACE



### **S-Touch**

#### **OPTIONAL: S-TOUCH MAX**

4 PROPORTIONAL SERVICE LARGE MULTI-FUNCTION JOYSTICK  
6" TOUCHSCREEN CONTROL INTERFACE

# 7/8000 SERIES STANDARD HEADS

## FEATURES



### GENERAL PURPOSE HEAD

STANDARD - GP1200 (1.2 m)

OPTIONAL - GP1500 (1.5 m)

LEFT HAND BELT DRIVE

OPTIONAL HYDRAULIC ROLLER

FIXED ADJUSTABLE NOSE

120 mm DIAMETER ROTOR SHAFT

QUICK HITCH COUPLING





# 7/8000 SERIES OPTIONAL HEADS

## FEATURES



### HIGH CAPACITY HEAD

OPTIONAL - HC1200 (1.2 m)

OPTIONAL - HC1600 (1.6 m)

LEFT OR RIGHT HAND DRIVE

OPTIONAL HYDRAULIC ROLLER

OPTIONAL HYDRAULIC NOSE

150 mm DIAMETER ROTOR SHAFT

QUICK HITCH COUPLING



# FLAIL MOWER

## FEATURES



### FBO - 2800

WORKING WIDTH	2.8 m
OVERALL WIDTH	3.0 m
WEIGHT	1322 kg
MOUNTING	FRONT/REAR
DOUBLE SKINNED SHELL	STD
GEARBOX RATING	235 hp
DRIVE SYSTEM	5 BELT
INPUT SPEED	540/1000 rpm
HYDRAULIC OFFSET	600 mm
ROTOR DIAMETER	220 mm
ROLLER DIAMETER	194 mm
OVERRUN CLUTCH	STD
FORKLIFT POCKETS	STD

# FLAIL MOWER

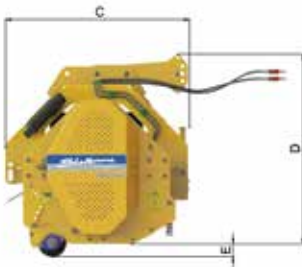
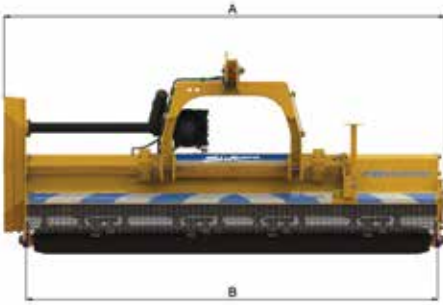
## DIMENSIONS



### DIMENSION

### FBO - 2800

A	3000 mm
B	2800 mm
C	1250 mm
D	1290 mm
E	15-90 mm





A series of horizontal gray lines for writing notes, alternating with white space. The lines are evenly spaced and cover most of the page area.



Area with horizontal lines for writing notes, separated by a vertical dashed red line on the left side.



## UNITED KINGDOM

SHELBOURNE REYNOLDS ENGINEERING LTD.

SHEPHERDS GROVE, STANTON, BURY ST EDMUNDS,  
SUFFOLK, IP31 2AR T: +44 (0) 1359 250415  
F: +44 (0) 1359 250464 INFO@SHELBOURNE.COM

## USA

SHELBOURNE REYNOLDS INC.

1250 SOUTH COUNTRY CLUB DRIVE, PO BOX 607,  
COLBY, KANSAS 67701, USA T: 785 462 6299  
T: 785 462 6761 SHEL-REY@ST-TEL.NET

**WARNING: IT IS THE CUSTOMERS RESPONSIBILITY TO ENSURE THAT THEY DO NOT EXCEED THE TRACTOR OEM (ORIGINAL EQUIPMENT MANUFACTURERS) SPECIFICATION FOR IMPLEMENT MOUNTING AND HITCH CAPABILITY AND THAT THE INSTALLATION IS TECHNICALLY APPROPRIATE BASED ON THE WEIGHT AND SIZE OF THE TRACTOR AND ITS IMPLEMENT ATTACHMENT SYSTEM.**

FIND US:



SHELBOURNE.COM