

# Shelbourne

REYNOLDS

MAN-04110

## PUH13M & PUH15M

PARTS MANUAL (2018 And Onwards)



PICK UP HEADER

Shelbourne Reynolds Engineering Ltd  
Stanton  
Bury St Edmunds  
Suffolk  
IP31 2AR  
England

Telephone: 01359 250415  
Fax: 01359 250464

Stores Direct : 01359 251231  
Stores Direct: 01359 252031

Issue 4 26/10/2022

[www.shelbourne.com](http://www.shelbourne.com)



# ORDERING SPARE PARTS

## IMPORTANT

Your Pick Up Header is made up of a Machine assembly number (common parts), specific sub assemblies and also customer optional build kits. The machine, sub assemblies and optional kit numbers are listed in the front pages of your Operators manual, part no. MAN-04200.

If you do not have these numbers please contact Shelbourne Reynolds Parts Department direct on (telephone) 01359 251231.

To ensure that you order the correct part from your SRE dealer please use the following procedure.

## **ALWAYS QUOTE THE MACHINE AND SERIAL NUMBERS WHEN ORDERING.**

Refer to the Parts Manuals front page/s, listing the machine assemblies. Select the correct machine assembly number which is printed in the top left corner of the page (starting with 2099\_ \_ 01), This machine number can also be taken off the Pick Up Headers identification plate located on the right hand side sheet of the mainframe.

On this page you will find the parts listing for the common parts for every configuration of that machine assembly number.

You will find the corresponding drawing by either looking at the facing page or progressing through the manual to the next drawing.

The drawings indicate the components by item numbers, which you will find, are repeated in the left-hand side of your parts listing, and therefore referring to the correct part.

Note all parts will not be found listed below the machine number. Other parts will be from specific sub assemblies and optional kits. These sub assemblies and kits will be found in numerical order further through the manual. Sub assemblies start with 2090\_ \_ 01 and kits start with KIT- 016 \_ \_.



# List Of Kit Numbers

209904 02	Pick Up Header Assembly 4.2m	4
209904 03	Pick up Header Assembly 4.8m	6
209000 06	4.2m Draper Belt Sub Assembly	8
209000 07	4.8m Draper Belt Sub Assembly	10
209014 01	Emblems Sub Assembly	12
209016 02	Auger Sub Assembly 4.2m	14
209016 03	Auger Sub Assembly 4.8m	16
209017 02	Draper Sub Assembly 4.2m	18
209017 03	Draper Sub Assembly 4.8m	20
209017 03	Draper Sub Assembly 4.8m	22
209021 01	Conveyor Assembly Mounting And Drive	24
209022 01	Draper Skids And Support Chains Sub Assembly	26
209023 01	Draper Wheels And Spring Sub Assembly	28
209024 02	Crop Slides Sub Assembly 4.2m	30
209024 03	Crop Slides Sub Assembly 4.8m	32
209025 02	Stripper Plate Sub Assembly 4.2m	34
209025 03	Stripper Plate Sub Assembly 4.8m	36
209027 12	Frame And Parts Sub Assembly 4.2m	38
209027 13	Frame And Parts Sub Assembly 4.8m	40
209028 02	Header Lights Sub 4.2m	42
209028 03	Header Lights Sub 4.8m	44
209029 01	Auger Drive	46
209030 01	Draper Wheels And Springs Sub Assembly (USA)	48
209031 02	Draper Hydraulics Sub Assembly 4.2m	50
209031 03	Draper Hydraulics Sub Assembly 4.8m	52
209032 01	Auger Drive	54
209033 01	Auger Mounting And Drive Sub Assembly	56

## **Kit Options** 59

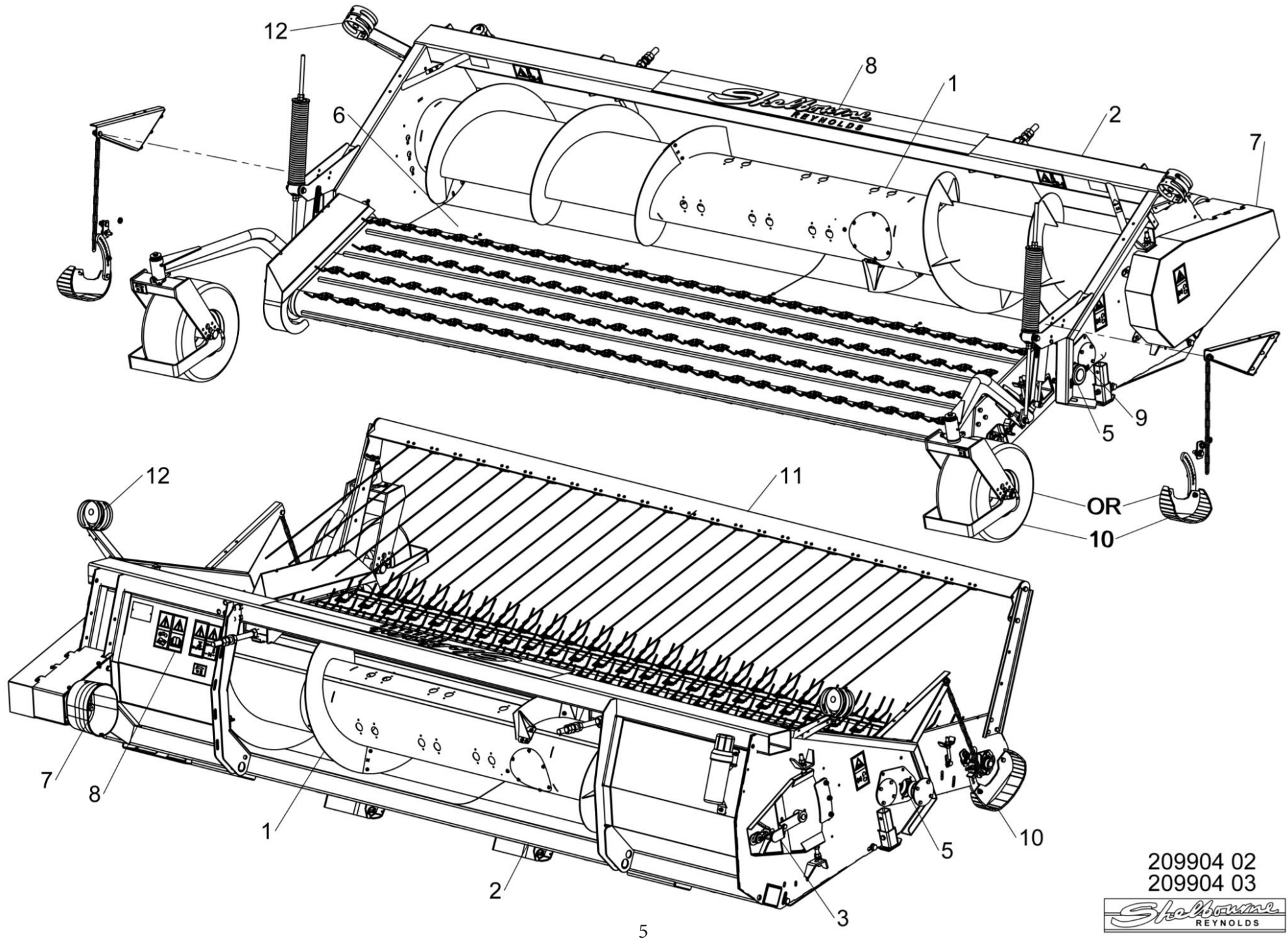
KIT-00124	Auger Drive/Sprocket Clutch	60
KIT-00124	Auger Drive/Sprocket Clutch	62
KIT-01605	Draper Metal Tine/Slat Kit (4.2m)	64
KIT-01606	Draper Metal Tine/Slat Kit (4.8m)	66



## Shelbourne Reynolds Engineering Limited

ASSY NUMBER: 209904 02				ASSY DESCRIPTION: PICK-UP HEADER ASSY (4.2M)			
ITEM	PART NO	DESCRIPTION	QTY	ITEM	PART NO	DESCRIPTION	QTY
1	209016 02	AUGER ASSY SUB (4.2m)	1				
2	209027 12	FRAME & PARTS SUB 4.2M	1				
3	209033 01	AUGER MTG & DRIVE SUB (2022 & ON)	1				
OR	209019 01	AUGER MTG & DRIVE SUB (UPTO 2022)	1				
4	209017 02	DRAPER ASSEMBLY 4.2M	1				
5	209021 01	DRAPER MOUNTING AND DRIVE	1				
6	209025 02	STRIPPER PLATE SUB ASSY 4.2m	1				
7	209029 01	MECHANICAL AUGER DRIVE	1				
8	209014 01	EMBLEMS SUB	1				
9	209031 02	DRAPER HYDRAULICS (4.2M) (2004 & ON)	1				
		OPTIONAL EQUIPMENT					
10	209022 01	DRAPER SKIDS & SUPP.CHAINS	1				
OR	209023 01	DRAPER WHEELS & SPRINGS	1				
OR	209030 01	DRAPER WHEELS & SPRINGS (USA)	1				
11	209024 02	CROP SLIDES SUB	1				
12	209028 02	HEADER LIGHTS SUB	1				
13	KIT-01605	DRAPER METAL TINE KIT	1				
		BOM OPTIONAL KITS					
	209016 00SB1	16 AUGER FINGERS KIT					
	209016 00SB2	20 AUGER FINGERS KIT					
	209016 00SB3	24 AUGER FINGERS KIT					

Shelbourne Reynolds Engineering Limited



209904 02  
209904 03

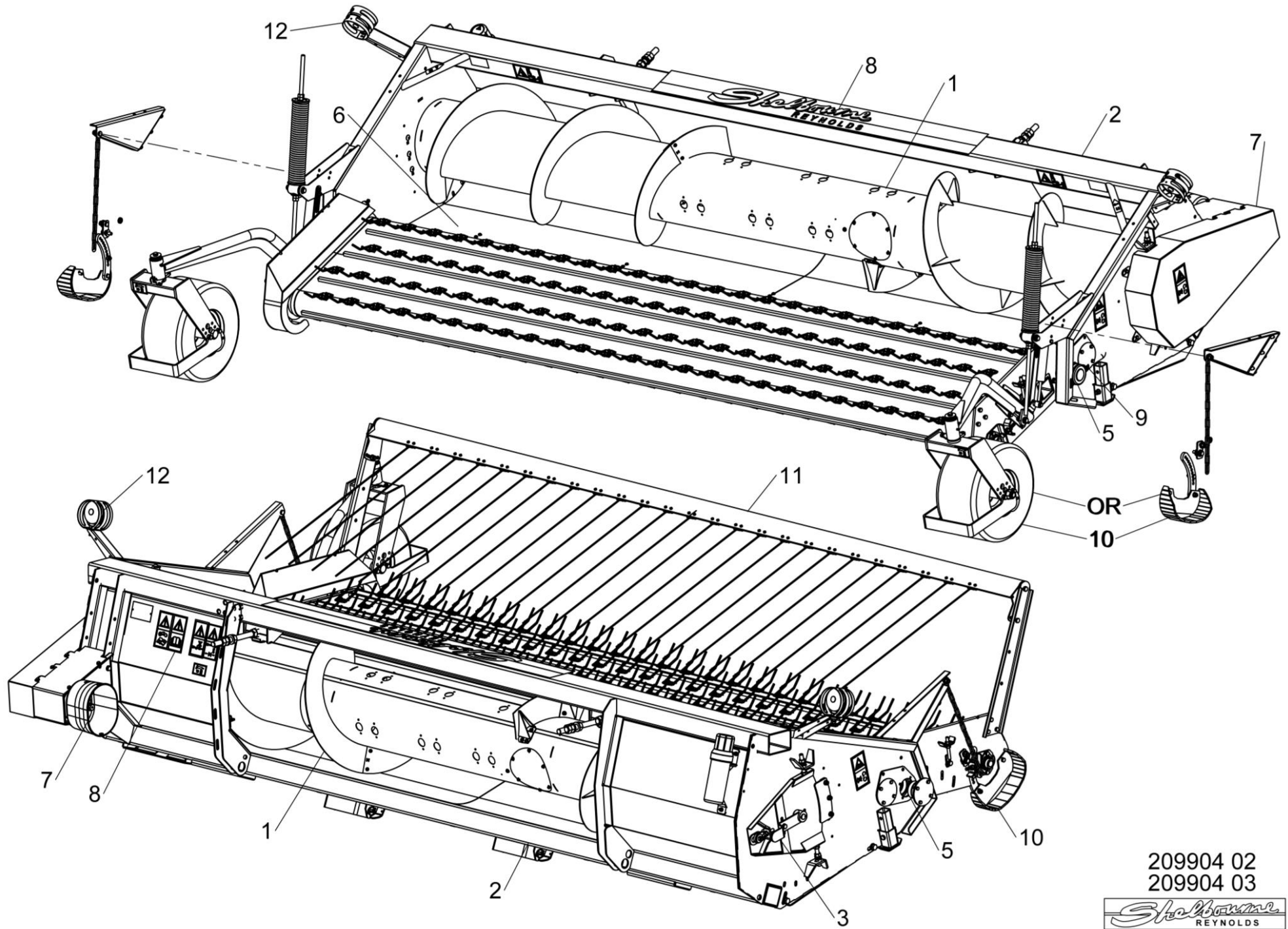


## Shelbourne Reynolds Engineering Limited

ASSY NUMBER: 209904 03				ASSY DESCRIPTION: PICK-UP HEADER ASSY (4.8M)			
ITEM	PART NO	DESCRIPTION	QTY	ITEM	PART NO	DESCRIPTION	QTY
1	209016 03	AUGER ASSY SUB (4.8M)	1				
2	209027 13	FRAME & PARTS SUB 4.8M	1				
3	209033 01	AUGER MTG & DRIVE SUB (2022 & ON)	1				
OR	209019 01	AUGER MTG & DRIVE SUB (UPTO 2022)	1				
4	209017 03	DRAPER ASSEMBLY 4.8M	1				
5	209021 01	DRAPER MOUNTING AND DRIVE	1				
6	209025 03	STRIPPER PLATE SUB ASSY 4.8M	1				
7	209029 01	MECHANICAL AUGER DRIVE	1				
8	209014 01	EMBLEMS SUB	1				
9	209031 03	DRAPER HYDRAULICS (4.8M) (2004 & ON)	1				
		OPTIONAL EQUIPMENT					
10	209022 01	DRAPER SKIDS & SUPP.CHAINS	1				
OR	209023 01	DRAPER WHEELS & SPRINGS	1				
OR	209030 01	DRAPER WHEELS & SPRINGS (USA)	1				
11	209024 03	CROP SLIDES SUB	1				
12	209028 03	HEADER LIGHTS SUB	1				
13	KIT-01606	DRAPER METAL TINE KIT	1				
		BOM OPTIONAL KITS					
	209016	16 AUGER FINGERS KIT					
	209016	20 AUGER FINGERS KIT					
	209016	24 AUGER FINGERS KIT					



Shelbourne Reynolds Engineering Limited

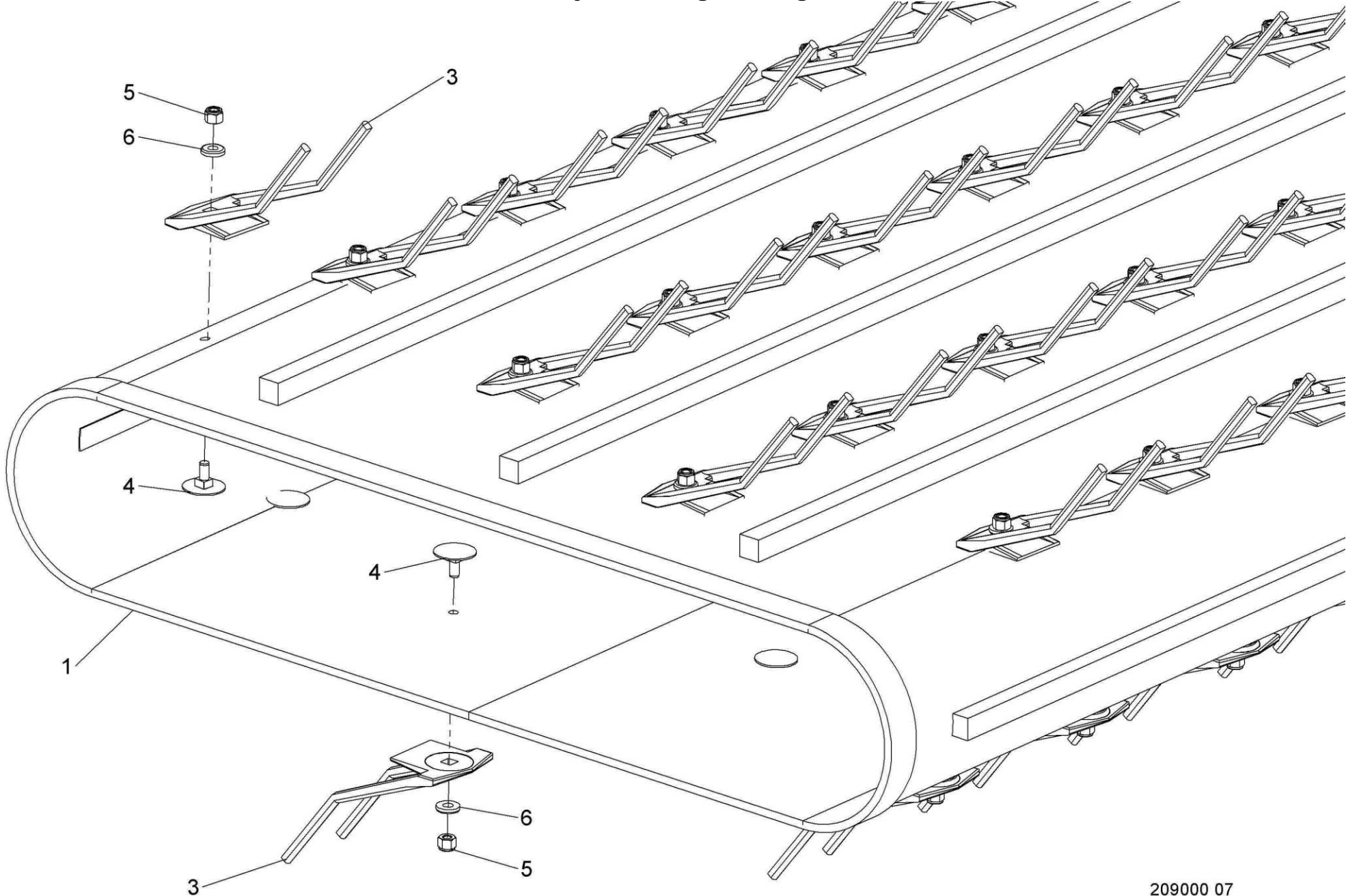


209904 02  
209904 03



## Shelbourne Reynolds Engineering Limited

ASSY NUMBER: 209000 06				ASSY DESCRIPTION: 4.2 DRAPER BELT SUB ASS			
ITEM	PART NO	DESCRIPTION	QTY	ITEM	PART NO	DESCRIPTION	QTY
1	200376 02	DRAPER BELT 4.2M/C	1				
2							
3	TIN-0020A	PLASTIC PICK UP TINE 2015 & ON	204				
OR	TIN-0020	PLASTIC PICK UP TINE PRE 2015	204				
4	SCW-6000	ELEVATOR BOLT	204				
5	NUT-0215	NYLOC NUT	204				
6	WSH-0110	1/4" PLAIN WASHER	204				

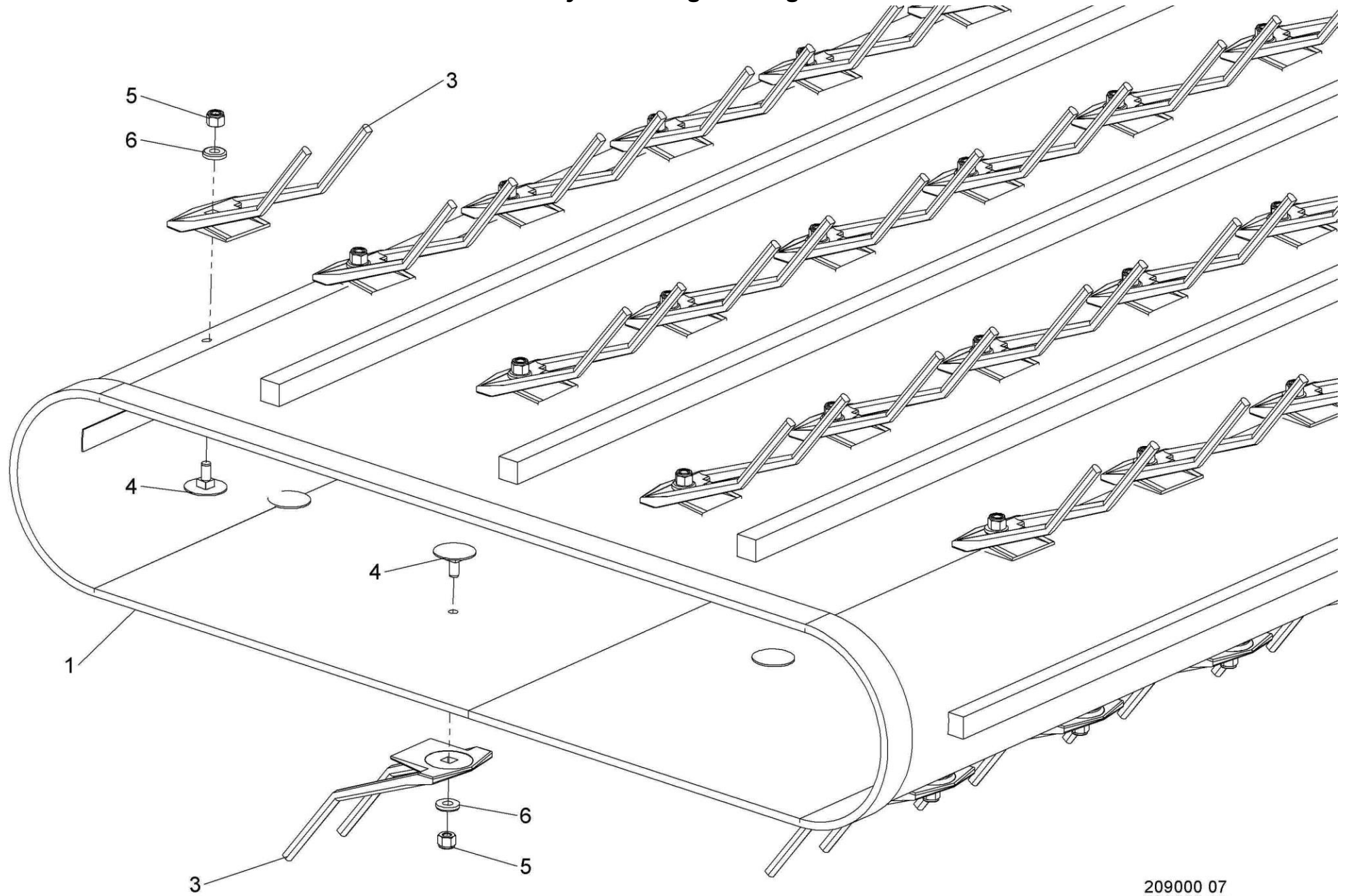


209000 07  
209000 06  
209000 05



## Shelbourne Reynolds Engineering Limited

ASSY NUMBER: 209000 07				ASSY DESCRIPTION: 4.8 DRAPER BELT SUB ASS			
ITEM	PART NO	DESCRIPTION	QTY	ITEM	PART NO	DESCRIPTION	QTY
1	200376 01	DRAPER BELT 4.8M/C	1				
2							
3	TIN-0020A	PLASTIC PICK UP TINE 2015 & ON	236				
OR	TIN-0020	PLASTIC PICK UP TINE PRE 2015	236				
4	SCW-6000	ELEVATOR BOLT	236				
5	NUT-0215	NYLOC NUT	236				
6	WSH-0110	1/4" PLAIN WASHER	236				

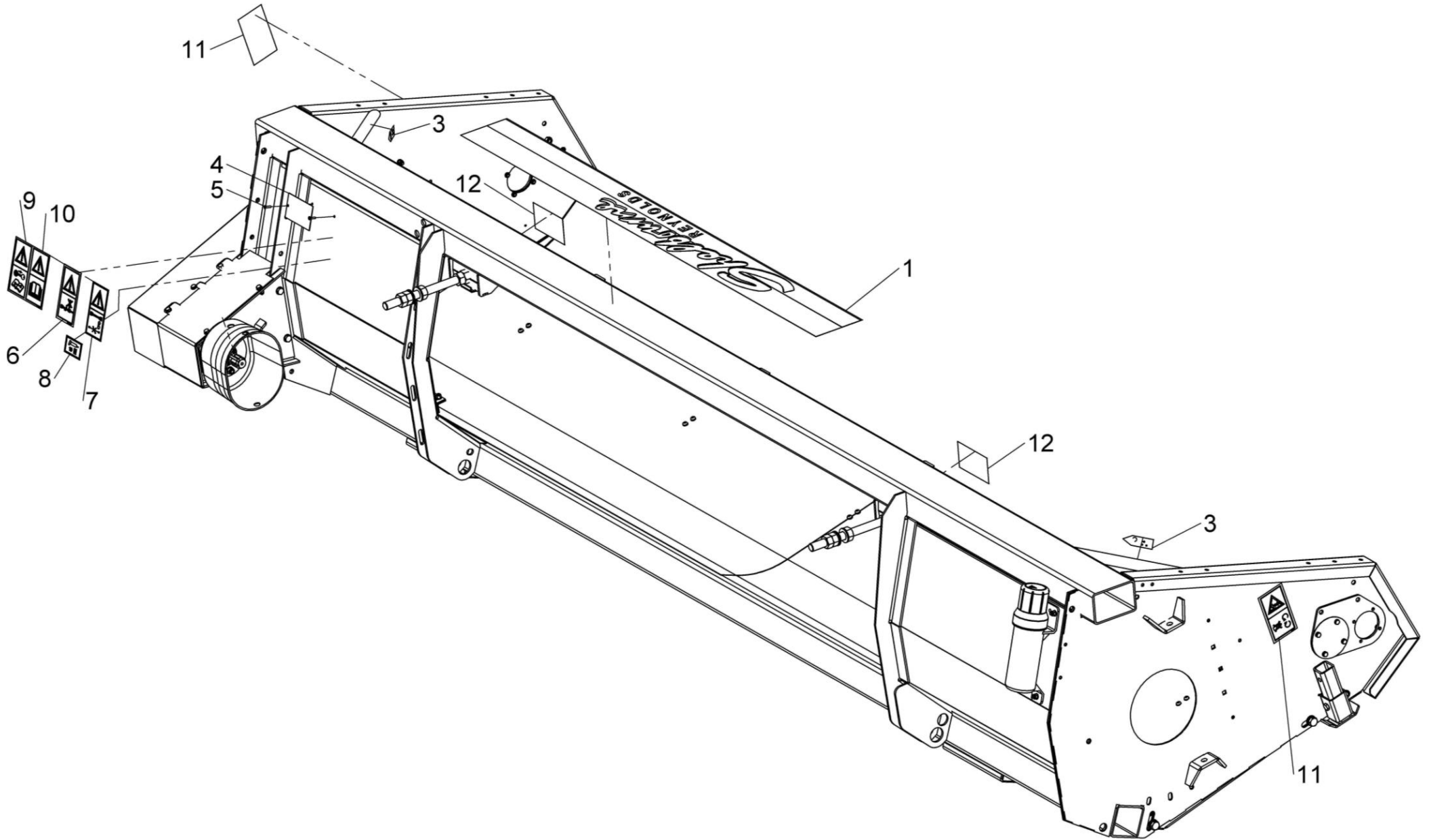


209000 07  
209000 06  
209000 05



## Shelbourne Reynolds Engineering Limited

ASSY NUMBER: 209014 01				ASSY DESCRIPTION: EMBLEMS SUB ASSEMBLY			
ITEM	PART NO	DESCRIPTION	QTY	ITEM	PART NO	DESCRIPTION	QTY
1	198764 01	EMBLEM (SR GREY) (2013 & ON)	1				
OR	191981 01	EMBLEM (SR RED) (UPTO 2013)	1				
2							
3	190702 04	EMBLEM (SLING POINT)	2				
4	290526 01	SERIAL NO. PLATE	1				
5	POP-0006	POP RIVET	2				
6	193390 01	EMBLEM (DONT HANG CHAIN)	1				
7	193391 01	EMBLEM (PTO GUARD)	1				
8	127075 12	EMBLEM (GREASE 10 HOURS)	1				
9	610250 01	EMBLEM (SAFETY MAINTENANCE)	1				
10	610257 01	EMBLEM (READ MANUAL)	1				
11	193393 01	EMBLEM (AUGER DANGER)	2				
12	200291 01	EMBLEM (KEEP CLEAR)	2				



209014 01

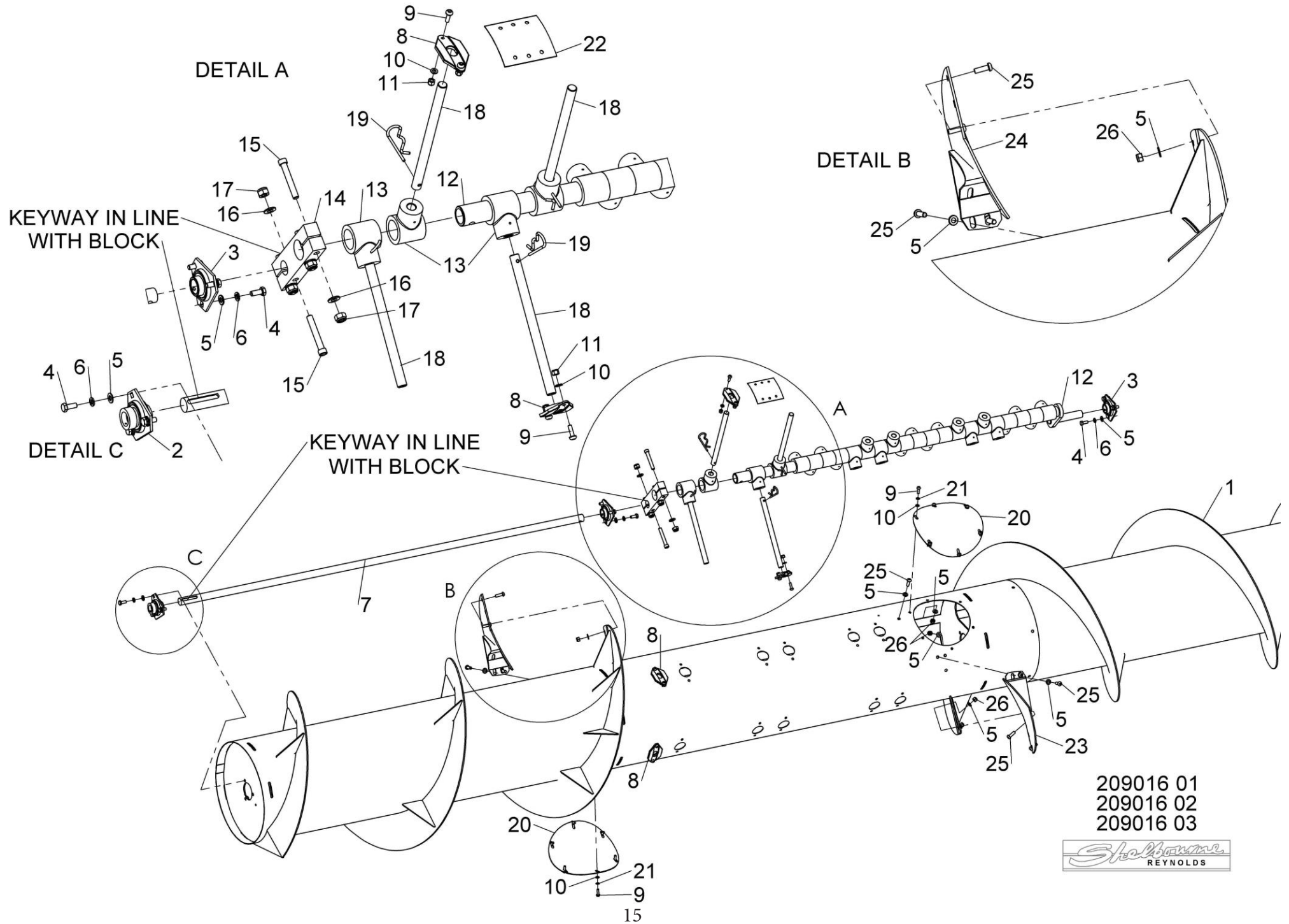


## Shelbourne Reynolds Engineering Limited

ASSY NUMBER: 209016 02				ASSY DESCRIPTION: AUGER ASSY SUB 4.2m (2000)			
ITEM	PART NO	DESCRIPTION	QTY	ITEM	PART NO	DESCRIPTION	QTY
1	200642 01	AUGER W/A (4.2m) 2023 & ON	1				
OR	200362 01	AUGER W/A (4.2m) PRE 2023	1				
2	BRG-0218	BEARING	1				
3	BRG-7080	BEARING	2				
4	HSS-0140	SET SCREW	9				
5	WSH-0012	PLAIN WASHER	29				
6	WSH-0058	SPRING WASHER	9				
7	192223 05	AUGER SHAFT	1				
8	AUG-00500	AUGER FINGER GUIDE					
		(16 FINGERS OPTION)	16				
OR		(20 FINGERS OPTION)	20				
OR		(24 FINGERS OPTION)	24				
9	SCW-4960	BUTT.HD.SKT.SCREW	60				
10	WSH-0009	PLAIN WASHER	60				
11	NUT-0260	NYLOC NUT	48				
12	200331 01	AUGER CRANK	1				
13	AUG-02500	FINGER HOLDER	24				
14	200329 01	CLAMP BLOCK	1				
15	SCCA10412	CAP.HD.SKT.SCREW	4				
16	WSH-0015	PLAIN WASHER	4				
17	NUT-0265	NYLOC NUT	4				
18	200332 01	AUGER FINGER					
		(16 FINGERS OPTION)	16				
OR		(20 FINGERS OPTION)	20				
OR		(24 FINGERS OPTION)	24				
19	AUG-03000	HAIRPIN COTTER					
		(16 FINGERS OPTION)	16				
OR		(20 FINGERS OPTION)	20				
OR		(24 FINGERS OPTION)	24				
20	200323 01	COVER PLATE	2				
21	WSH-0056	SPRING WASHER	12				
22	190735 01	BLANKING PLATE					
		(16 FINGERS OPTION)	8				
OR		(20 FINGERS OPTION)	4				
OR		(24 FINGERS OPTION)	0				
23	195143 01	LH AUGER FLIGHT EXTENSION	1				
24	195143 02	RH AUGER FLIGHT EXTENSION	1				
25	SCBA08172	BUTT. SKT.HD.SCREW	12				
26	NUT-0263	NYLOC NUT	12				



**Shelbourne Reynolds Engineering Limited**



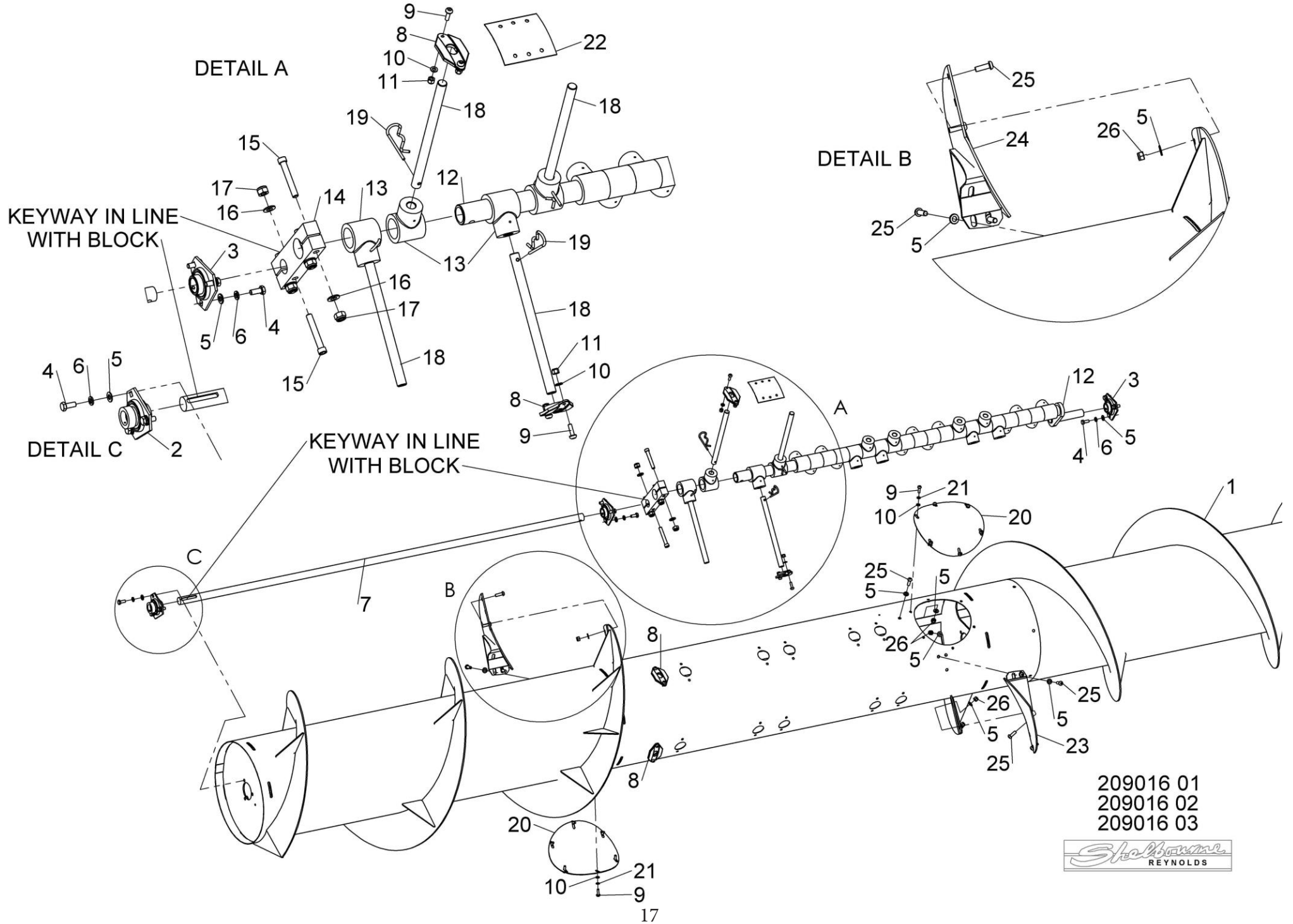
209016 01  
 209016 02  
 209016 03



## Shelbourne Reynolds Engineering Limited

ASSY NUMBER: 209016 03				ASSY DESCRIPTION: AUGER ASSY SUB 4.8m (2000)			
ITEM	PART NO	DESCRIPTION	QTY	ITEM	PART NO	DESCRIPTION	QTY
1	200648 01	AUGER W/A (4.8m) 2023 & ON	1				
	200321 01	AUGER W/A (4.8m) PRE 2023	1				
2	BRG-0218	BEARING	1				
3	BRG-7080	BEARING	2				
4	HSS-0140	SET SCREW	9				
5	WSH-0012	PLAIN WASHER	29				
6	WSH-0058	SPRING WASHER	9				
7	192223 06	AUGER SHAFT	1				
8	AUG-00500	AUGER FINGER GUIDE					
		(16 FINGERS OPTION)	16				
OR		(20 FINGERS OPTION)	20				
OR		(24 FINGERS OPTION)	24				
9	SCW-4960	BUTT.HD.SKT.SCREW	60				
10	WSH-0009	PLAIN WASHER	60				
11	NUT-0260	NYLOC NUT	48				
12	200331 01	AUGER CRANK	1				
13	AUG-02500	FINGER HOLDER	24				
14	200329 01	CLAMP BLOCK	1				
15	SCCA10412	CAP.HD.SKT.SCREW	4				
16	WSH-0015	PLAIN WASHER	4				
17	NUT-0265	NYLOC NUT	4				
18	200332 01	AUGER FINGER					
		(16 FINGERS OPTION)	16				
OR		(20 FINGERS OPTION)	20				
OR		(24 FINGERS OPTION)	24				
19	AUG-03000	HAIRPIN COTTER					
		(16 FINGERS OPTION)	16				
OR		(20 FINGERS OPTION)	20				
OR		(24 FINGERS OPTION)	24				
20	200323 01	COVER PLATE	2				
21	WSH-0056	SPRING WASHER	12				
22	190735 01	BLANKING PLATE					
		(16 FINGERS OPTION)	8				
OR		(20 FINGERS OPTION)	4				
OR		(24 FINGERS OPTION)	0				
23	195143 01	LH AUGER FLIGHT EXTENSION	1				
24	195143 02	RH AUGER FLIGHT EXTENSION	1				
25	SCBA08172	BUTT. SKT.HD.SCREW	12				
26	NUT-0263	NYLOC NUT	12				

# Shelbourne Reynolds Engineering Limited



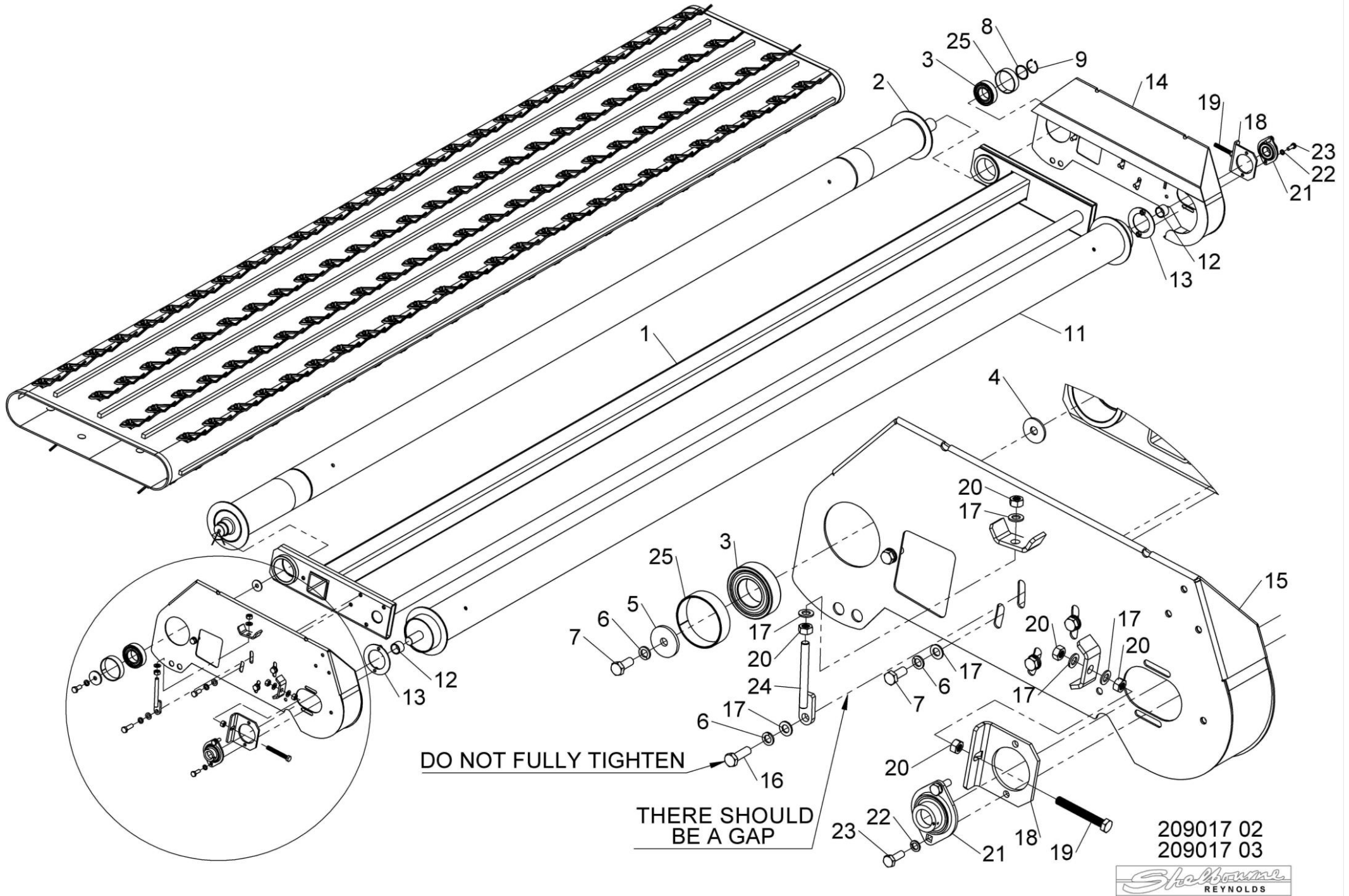
209016 01  
209016 02  
209016 03



## Shelbourne Reynolds Engineering Limited

ASSY NUMBER: 209017 02				ASSY DESCRIPTION: DRAPER ASSEMBLY 4.2M			
ITEM	PART NO	DESCRIPTION	QTY	ITEM	PART NO	DESCRIPTION	QTY
1	200367 02	DRAPER FRAME ASSY 4.2M	1				
2	200344 02	DRIVE RLLR W/ASY 4.2M	1				
3	BRG-14515	SELF ALIGN.SUPPORT	2				
4	190119 26	WASHER	1				
5	190119 15	WASHER	1				
6	WSH-0065	SPRING WASHER	11				
7	HSS-0238	SET SCREW	9				
8	190119 27	WASHER	1				
9	CIR-0450	EXTERNAL CIRCLIP 45mm	1				
10	209000 06	PLASTIC TINES	REF				
OR	KIT-01605	STEEL TINES	REF				
11	200340 02	IDLER ROLLER W/A 4.2M	1				
12	200345 01	SPACER TUBE	2				
13	200107 01	BEARING PLATE	2				
14	200350 01	DRAPER SIDE PL ASS LH	1				
15	200350 02	DRAPER SIDE PL ASS RH	1				
16	HSS-0250	SET SCREW	2				
17	WSH-0018	PLAIN WASHER	18				
18	200356 01	ADJUSTING PLATE	2				
19	HSSA12530	HEX.HEAD SET SCREW	2				
20	NUT-0170	PLAIN NUT	10				
21	BRG-7060	SUPPORT	2				
22	WSH-0061	SPRING WASHER	4				
23	HSS-0194	SET SCREW	4				
24	200358 01	ADJUSTER ASSY	2				
25	200124 01	PIVOT BUSH	2				

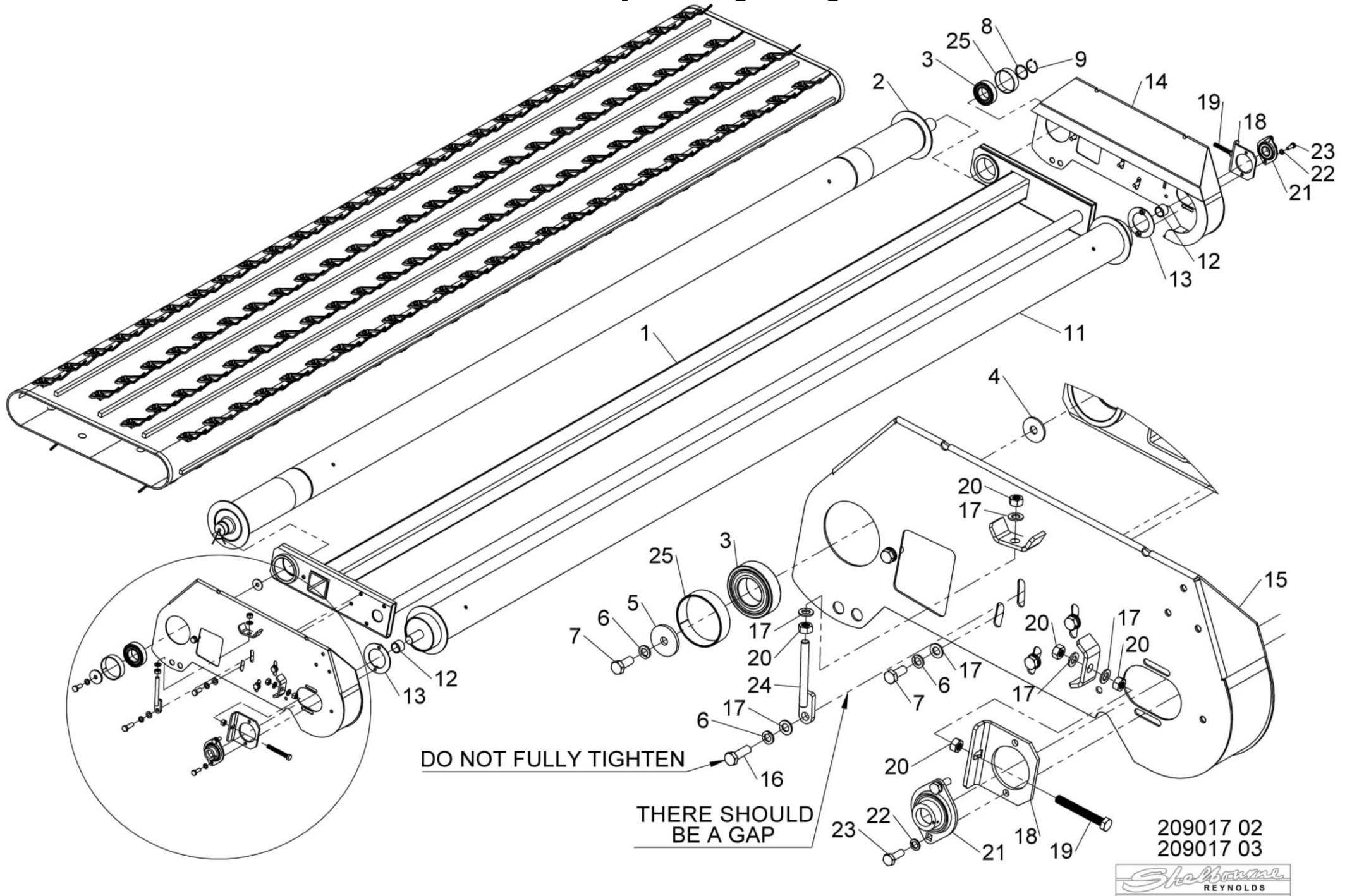
Shelbourne Reynolds Engineering Limited



## Shelbourne Reynolds Engineering Limited

ASSY NUMBER: 209017 03				ASSY DESCRIPTION: DRAPER ASSEMBLY 4.8M			
ITEM	PART NO	DESCRIPTION	QTY	ITEM	PART NO	DESCRIPTION	QTY
1	200367 01	DRAPER FRAME ASSY 4.8M	1				
2	200344 01	DRIVE RLLR W/ASY 4.8M	1				
3	BRG-14515	SELF ALIGN.SUPPORT	2				
4	190119 26	WASHER	1				
5	190119 15	WASHER	1				
6	WSH-0065	SPRING WASHER	11				
7	HSS-0238	SET SCREW	9				
8	190119 27	WASHER	1				
9	CIR-0450	EXTERNAL CIRCLIP 45mm	1				
10	209000 07	PLASTIC TINES	REF				
OR	KIT-01606	STEEL TINES	REF				
11	200340 01	IDLER ROLLER W/A 4.8M	1				
12	200345 01	SPACER TUBE	2				
13	200107 01	BEARING PLATE	2				
14	200350 01	DRAPER SIDE PL ASS LH	1				
15	200350 02	DRAPER SIDE PL ASS RH	1				
16	HSS-0250	SET SCREW	2				
17	WSH-0018	PLAIN WASHER	18				
18	200356 01	ADJUSTING PLATE	2				
19	HSSA12530	HEX.HEAD SET SCREW	2				
20	NUT-0170	PLAIN NUT	10				
21	BRG-7060	SUPPORT	2				
22	WSH-0061	SPRING WASHER	4				
23	HSS-0194	SET SCREW	4				
24	200358 01	ADJUSTER ASSY	2				
25	200124 01	PIVOT BUSH	2				

Shelbourne Reynolds Engineering Limited

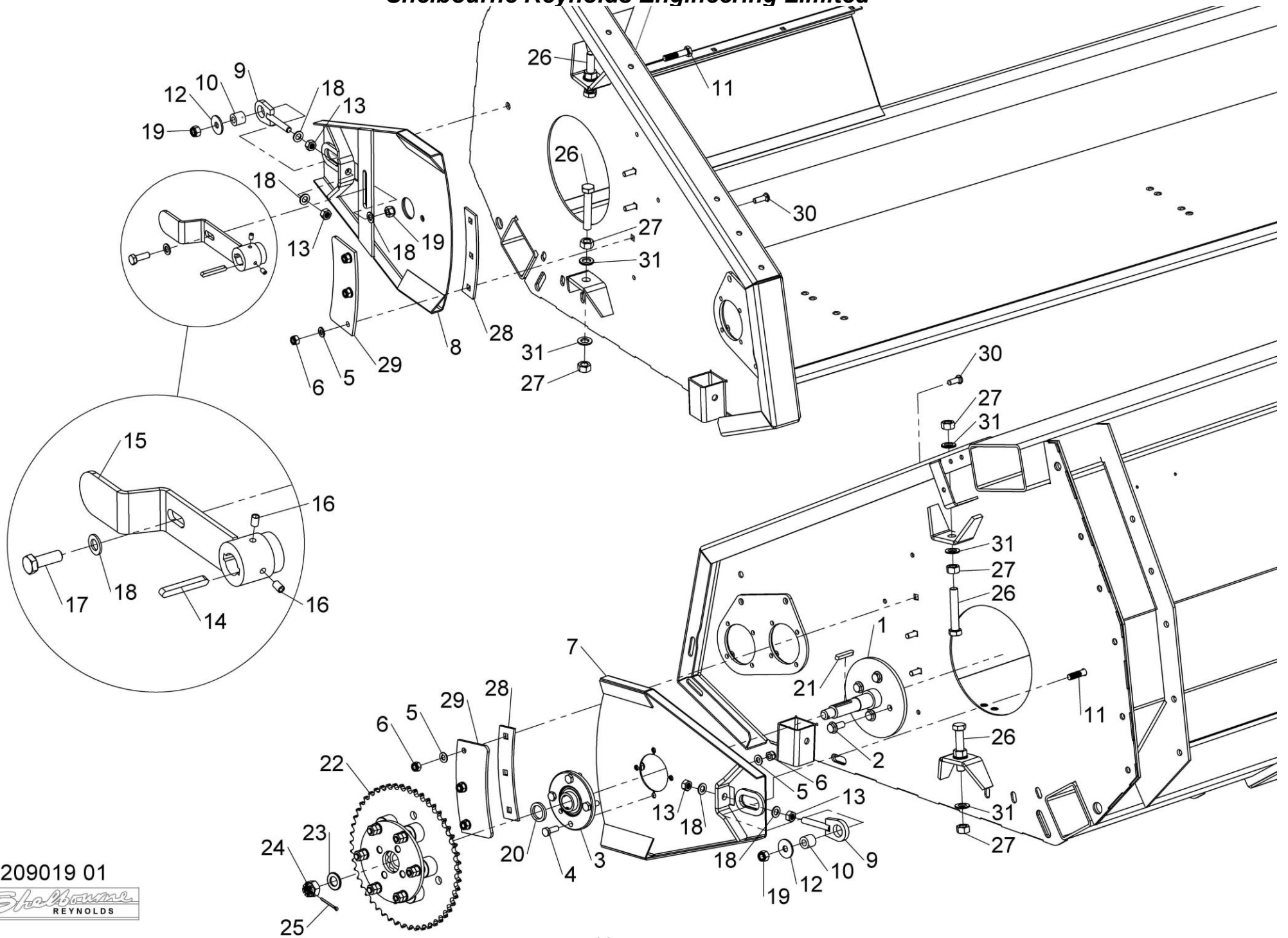


## Shelbourne Reynolds Engineering Limited

ASSY NUMBER: 209019 01				ASSY DESCRIPTION: AUGER MTG AND DRIVE SUB (MECHANICAL)			
ITEM	PART NO	DESCRIPTION	QTY	ITEM	PART NO	DESCRIPTION	QTY
1	200335 01	DRIVE SHAFT W/A	1				
2	HSSF12204	TENSILOCK SETSCREW	4				
3	BRG-23041	BEARING	1				
4	HSS-0194	SET SCREW	4				
5	WSH-0015	WASHER	10				
6	NUT-0265	NUT	10				
7	200401 01	ADJUSTER PLATE	1				
8	200402 09	ADJUSTER PLATE	1				
9	200405 01	ADJUSTER WELD ASSY	2				
10	200499 01	SPACER	2				
11	HSS-0260	SET SCREW	2				
12	190119 26	WASHER	2				
13	NUT-0170	NUT	4				
14	K0807060	KEY	1				
15	200120 02	FINGER ADJUSTER	1				
16	SCW-4535	GRUB SCREW	2				
17	HSS-0241	SET SCREW	1				
18	WSH-0018	WASHER	8				
19	NUT-0269	NUT	3				
20	190119 29	WASHER	1				
21	K0807050	KEY	1				
22	KIT-00117	AUGER DRV/SPRKT CLUTCH	1				
23	WSH-0030	WASHER	1				
24	NUT-0580	CASTLE NUT	1				
25	PIN-1150	SPLIT PIN	1				
26	HSS-0330	SET SCREW	4				
27	NUT-0180	NUT	8				
28	292339 01	SUPPORT PLATE	2				
29	200596 01	OVERLAP PLATE	2				
30	BLT-3750	COACH BOLT	6				
31	WSH-0024	WASHER	8				



Shelbourne Reynolds Engineering Limited



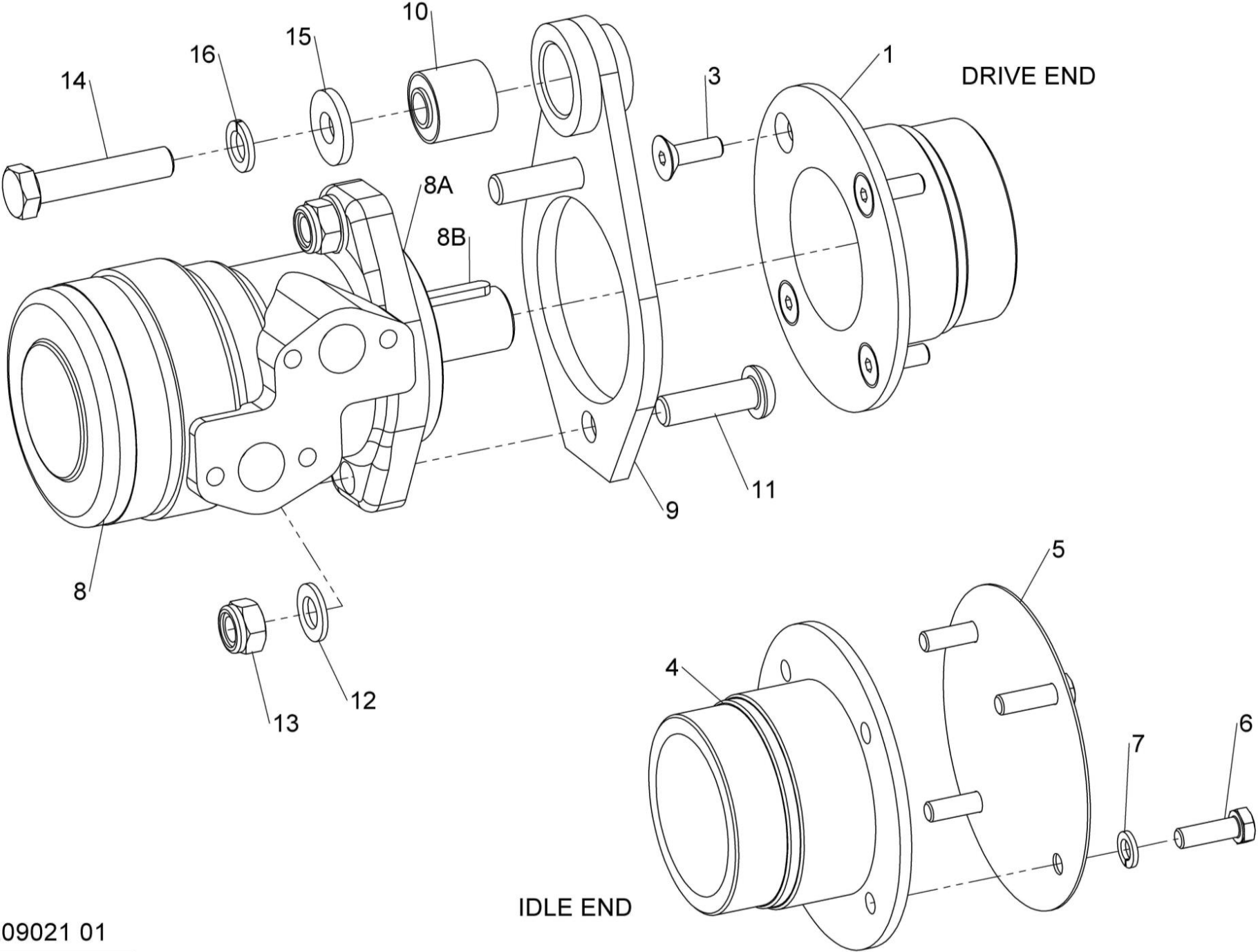
209019 01



## Shelbourne Reynolds Engineering Limited

ASSY NUMBER: 209021 01				ASSY DESCRIPTION: CONVEYOR ASSEMBLY MOUNTING AND DRIVE			
ITEM	PART NO	DESCRIPTION	QTY	ITEM	PART NO	DESCRIPTION	QTY
1	200416 01	BEARING SUPPORT LH	1				
2							
3	SCW-1740	CSK.SOC.HD.SCREW	4				
4	200416 02	BEARING SUPPORT RH	1				
5	200030 01	COVER PLATE	1				
6	HSS-0145	SET SCREW	4				
7	WSH-0058	WASHER	4				
8	MOTH08000	HYDRAULIC MOTOR	1				
8A	HMS-08000	MOTOR SEAL KIT +CASE DRAIN	1				
OR	HMS-08001	MOTOR SEAL KIT NO CASE DRAIN	1				
8B	K0807032	KEY	1				
9	200028 01	SUPPORT PLATE	1				
10	BSH-1530	BUSH	1				
11	SCW-0519	BUTT.HD SOC.SCREW	2				
12	WSH-0018	PLAIN WASHER	2				
13	NUT-0270	NYLOC NUT	2				
14	BLTA12380	BOLT	1				
15	190119 04	WASHER	1				
16	WSH-0065	SPRING WASHER	1				
17							
18							
19							
20							

**Shelbourne Reynolds Engineering Limited**

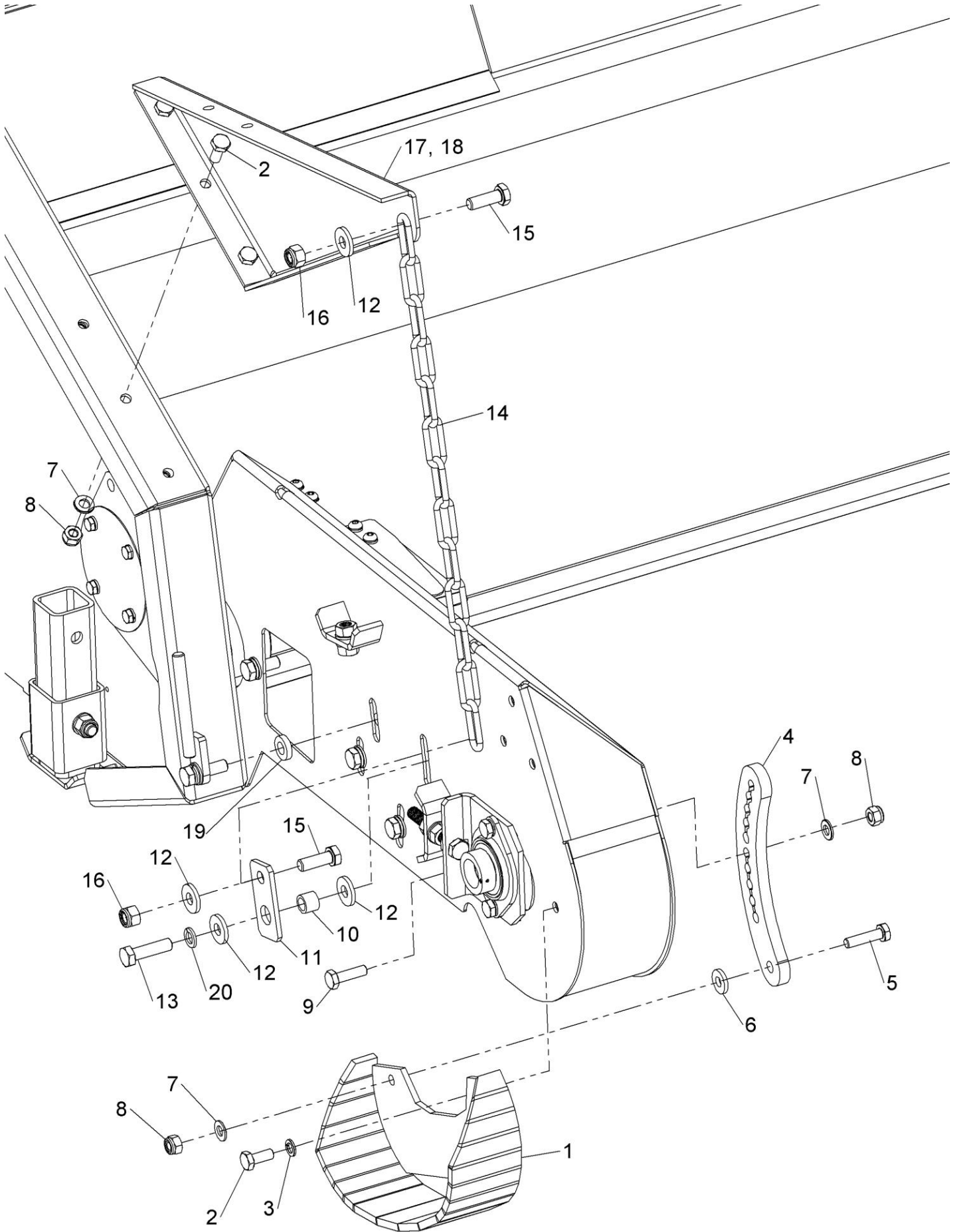


209021 01



## Shelbourne Reynolds Engineering Limited

ASSY NUMBER: 209022 01				ASSY DESCRIPTION: DRAPER SKIDS & SUPPORT CHAINS SUB ASSY			
ITEM	PART NO	DESCRIPTION	QTY	ITEM	PART NO	DESCRIPTION	QTY
1	200102 01	DRAPER SKID ASSY	2				
2	HSS-0191	SET SCREW	8				
3	WSH-0061	SPRING WASHER	2				
4	200355 01	DRAPER SKID ADJUSTER	2				
5	HSS-0202	SET SCREW	2				
6	190119 11	WASHER	2				
7	WSH-0015	PLAIN WASHER	10				
8	NUT-0265	NYLOC NUT	10				
9	HSS-0198	SET SCREW	2				
10	200410 02	SPACER	2				
11	200136 01	PLATE	2				
12	190119 04	WASHER	8				
13	BLTA12290	BOLT	2				
14	CHA-01061	CHAIN	0.57				
14	CHA-01061	CHAIN	0.57				
15	HSS-0241	SET SCREW	4				
16	NUT-0269	NYLOC NUT	4				
17	200086 01	DRAPER SUPPORT LH	1				
18	200086 02	DRAPER SUPPORT RH	1				
19	190119 25	WASHER	2				
20	WSH-0065	SPRING WASHER	2				
21							
22							
23							
24							
25							
26							
27							
28							
29							
30							
31							
32							
33							
34							
35							
36							
37							
38							
39							

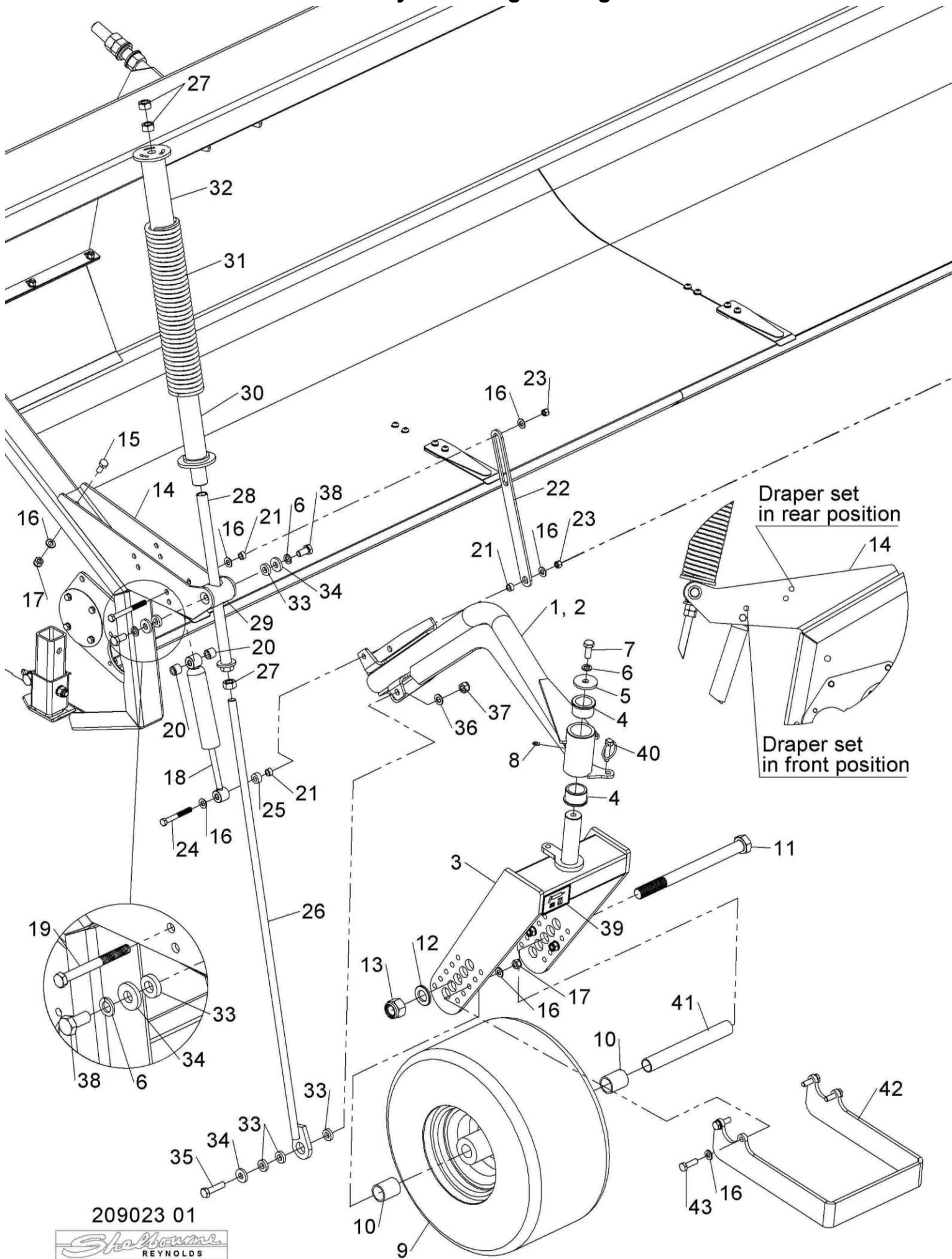


209022 01



## Shelbourne Reynolds Engineering Limited

ASSY NUMBER: 209023 01				ASSY DESCRIPTION: DRAPER WHEELS AND SPRING SUB			
ITEM	PART NO	DESCRIPTION	QTY	ITEM	PART NO	DESCRIPTION	QTY
1	200388 01	WHEEL TUBE ASSY LH	1	41	200564 01	WHEEL TUBE	2
2	200388 02	WHEEL TUBE ASSY RH	1	42	200566 01	WHEEL GUARD	2
3	200381 01	WHEEL MOUNT ASSY	2	43	HSS-0198	SET SCREW	8
4	BSHE03553	FLANGED BRONZE BUSH	4				
5	190119 15	WASHER	2				
6	WSH-0065	WASHER	6				
7	HSS-0238	SET SCREW	2				
8	NIP-00600	GREASE NIPPLE	2				
9	WHL-00833	WHEEL & TYRE ASSY	2				
10	200565 02	SPACER	4				
11	BLTA24990	HEX.HEAD BOLT	2				
12	WSH-0036	WASHER	2				
13	NUT-0275	NUT	2				
14	200424 01	SPRING SUPP W/ASSY	2				
15	HSS-0191	SETSCREW	6				
16	WSH-0015	WASHER	32				
17	NUT-0265	NUT	14				
18	SAB-10000	SHOCK ABSORBER	2				
19	BLTB20480	HEX.HEAD BOLT	2				
20	200436 01	RAM SPACER	4				
21	200514 01	SPACER	6				
22	200500 01	STRAP	2				
23	NUT-0217	NUT	4				
24	BLT-0162	BOLT, PLATED	2				
25	190119 19	WASHER	2				
26	200434 01	SPRING TENSIONER ASSY	2				
27	NUT-0180	NUT	6				
28	200513 01	SLEEVE ASSY	2				
29	200423 01	SPRING SUPP INNR BOSS	2				
30	200430 01	LOWER SPRING DISC ASS	2				
31	SPGC88399	COMPRESSION SPRING	2				
32	200429 01	UPPER SPRING DISC ASS	2				
33	190119 25	WASHER	10				
34	190119 16	WASHER	6				
35	HSS-0260	SET SCREW	2				
36	WSH-0018	WASHER	2				
37	NUT-0269	NUT	2				
38	HSS-0235	SET SCREW	4				
39	127075 16	50 HRS GREASE TRANF	2				
40	PIN-01950	LYNCH PIN	2				

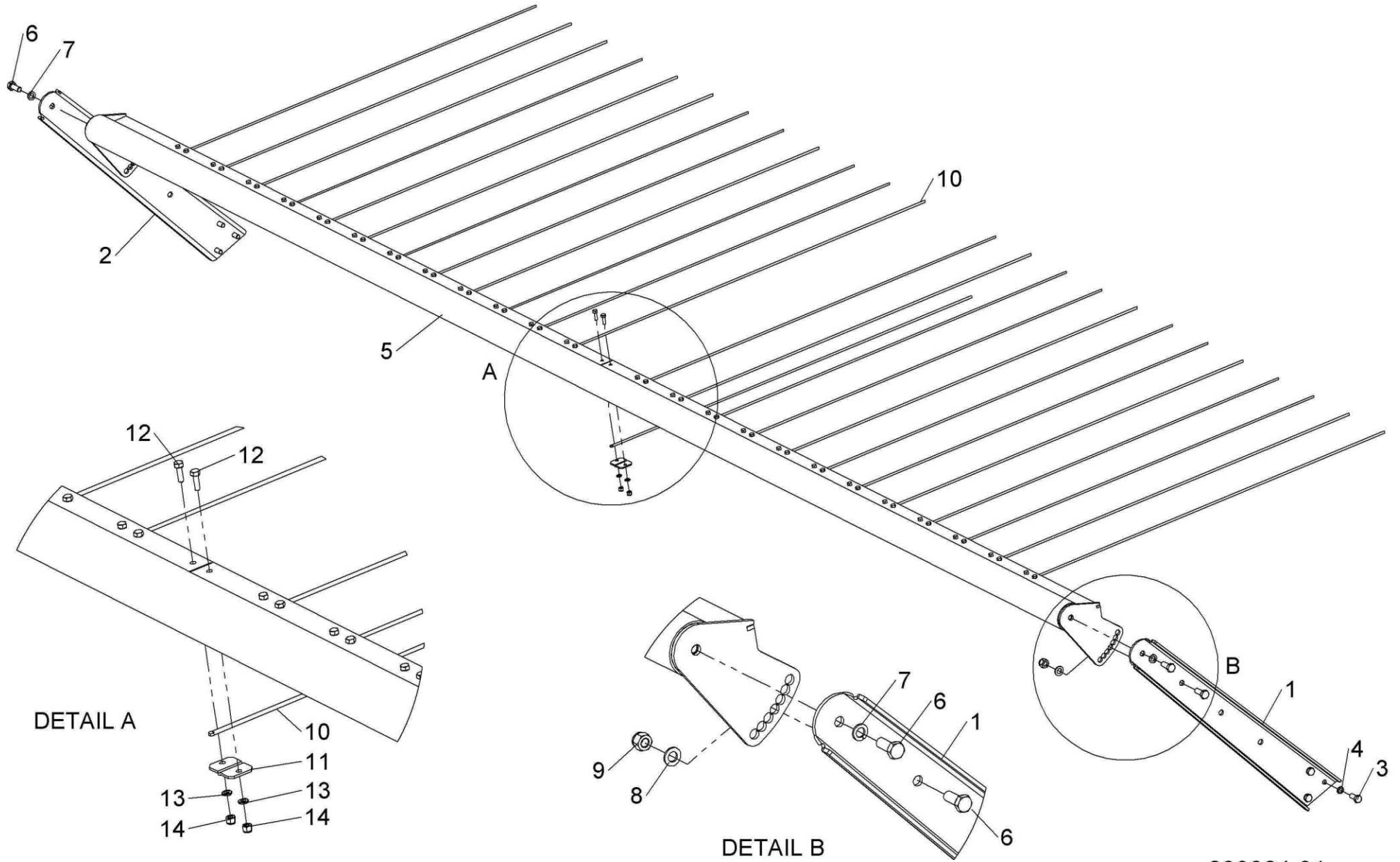


## Shelbourne Reynolds Engineering Limited

ASSY NUMBER: 209024 02				ASSY DESCRIPTION: CROP SLIDES SUB ASSY (4.2M)			
ITEM	PART NO	DESCRIPTION	QTY	ITEM	PART NO	DESCRIPTION	QTY
1	200368 01	CROP SLIDE SUPPORT LH	1				
2	200368 02	CROP SLIDE SUPPORT RH	1				
3	HSS-0191	SET SCREW	6				
4	WSH-0061	SPRING WASHER	6				
5	200373 03	CROSS BAR ASSY 4.2M	1				
6	HSS-0238	SET SCREW	4				
7	WSH-0065	SPRING WASHER	2				
8	WSH-0018	PLAIN WASHER	2				
9	NUT-0269	NYLOC NUT	2				
10	200372 01	CROP SLIDE BAR	25				
11	200371 01	CROP SLIDE CLAMP PLATE	25				
12	HSS-0086	SET SCREW	50				
13	WSH-0009	PLAIN WASHER	50				
14	NUT-0260	NYLOC NUT	50				



Shelbourne Reynolds Engineering Limited

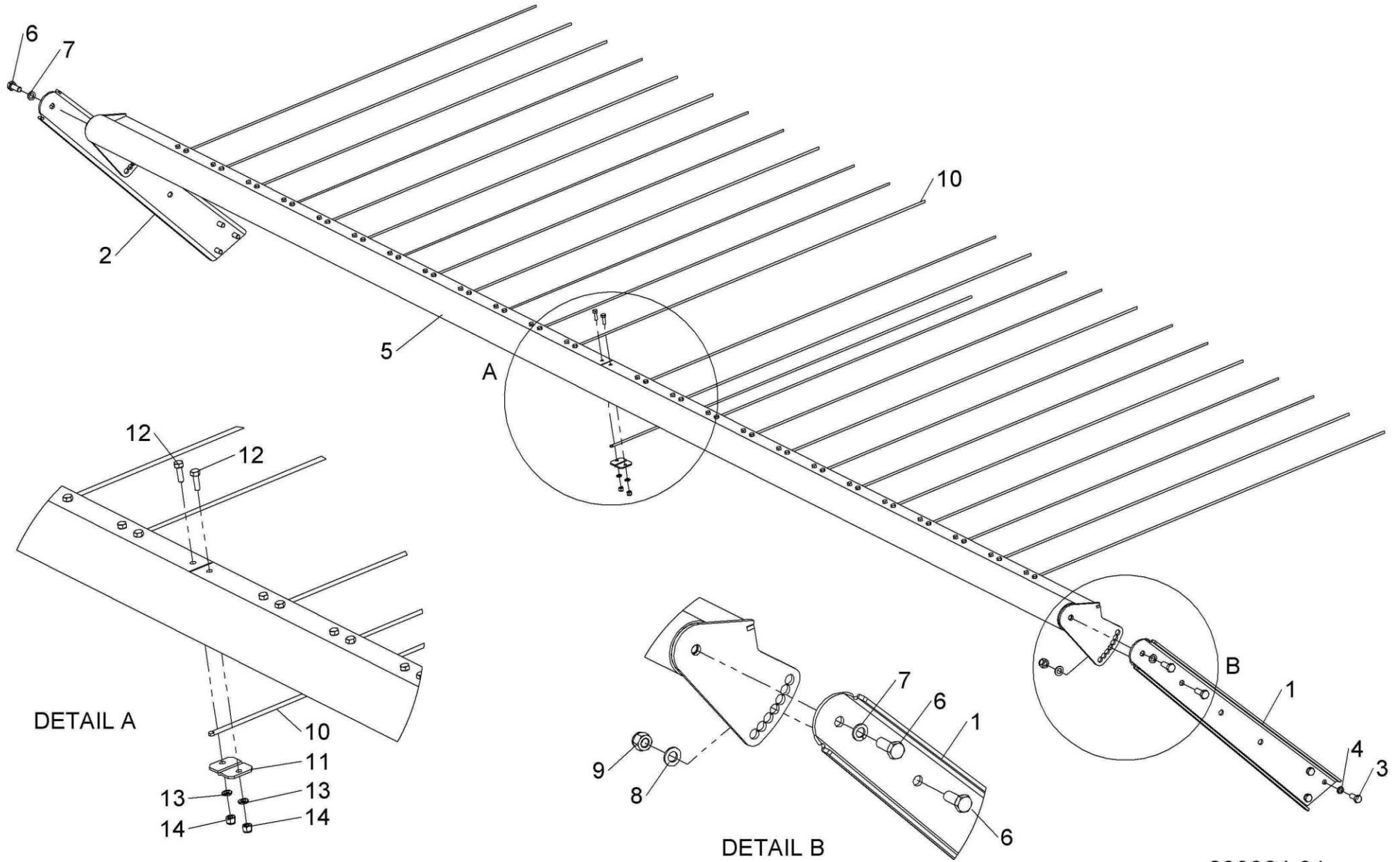


209024 01  
209024 02  
209024 03



## Shelbourne Reynolds Engineering Limited

ASSY NUMBER: 209024 03				ASSY DESCRIPTION: CROP SLIDES SUB ASSY (4.8M)			
ITEM	PART NO	DESCRIPTION	QTY	ITEM	PART NO	DESCRIPTION	QTY
1	200368 01	CROP SLIDE SUPPORT LH	1				
2	200368 02	CROP SLIDE SUPPORT RH	1				
3	HSS-0191	SET SCREW	6				
4	WSH-0061	SPRING WASHER	6				
5	200373 03	CROSS BAR ASSY 4.8M	1				
6	HSS-0238	SET SCREW	4				
7	WSH-0065	SPRING WASHER	2				
8	WSH-0018	PLAIN WASHER	2				
9	NUT-0269	NYLOC NUT	2				
10	200372 01	CROP SLIDE BAR	29				
11	200371 01	CROP SLIDE CLAMP PLATE	29				
12	HSS-0086	SET SCREW	58				
13	WSH-0009	PLAIN WASHER	58				
14	NUT-0260	NYLOC NUT	58				



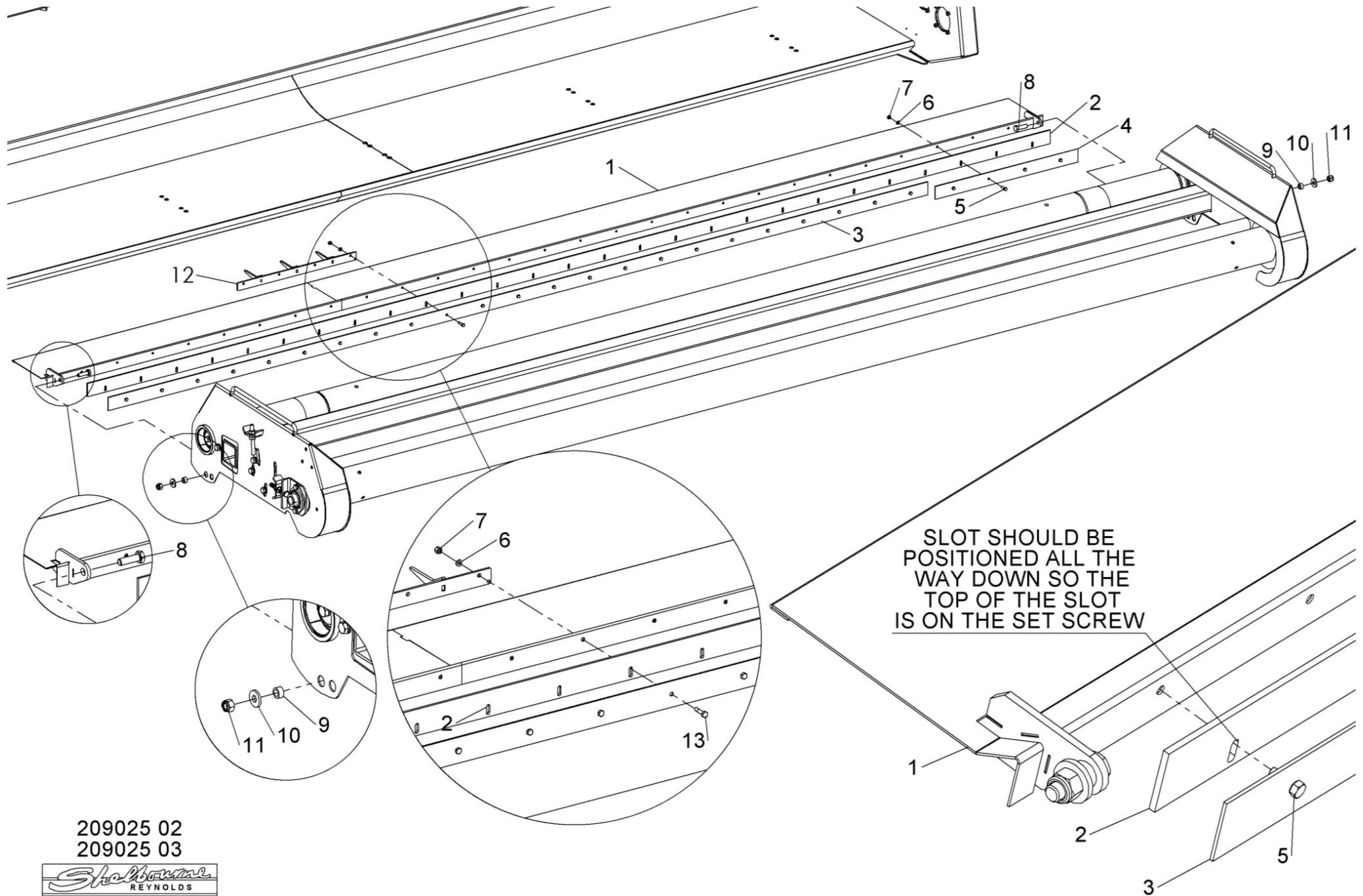
209024 01  
209024 02  
209024 03



## Shelbourne Reynolds Engineering Limited

ASSY NUMBER: 209025 02				ASSY DESCRIPTION: STRIPPER PLATE SUB ASSY (4.2M)			
ITEM	PART NO	DESCRIPTION	QTY	ITEM	PART NO	DESCRIPTION	QTY
1	200409 02	STRIPPER PLATE	1				
2	200403 02	CANVAS STRIP	1				
3	200337 01	CANVAS CLAMP STRIP	1				
4	200337 03	CANVAS CLAMP STRIP (0.6M)	1				
5	HSS-0086	SET SCREW	19				
6	WSH-0009	PLAIN WASHER	27				
7	NUT-0260	NYLOC NUT	27				
8	HSS-0250	SET SCREW	2				
9	612316 01	SPACER	2				
10	190119 04	WASHER	2				
11	NUT-0269	NYLOC NUT	2				
12	200637 01	STRIPPER PLATE BRACE	2				
13	HSS-0088	SET SCREW	8				
14							
15							
16							
17							
18							
19							
20							
21							
22							
23							
24							
25							
26							
27							
28							
29							
30							
31							
32							
33							
34							
35							
36							
37							
38							
39							
40							

Shelbourne Reynolds Engineering Limited



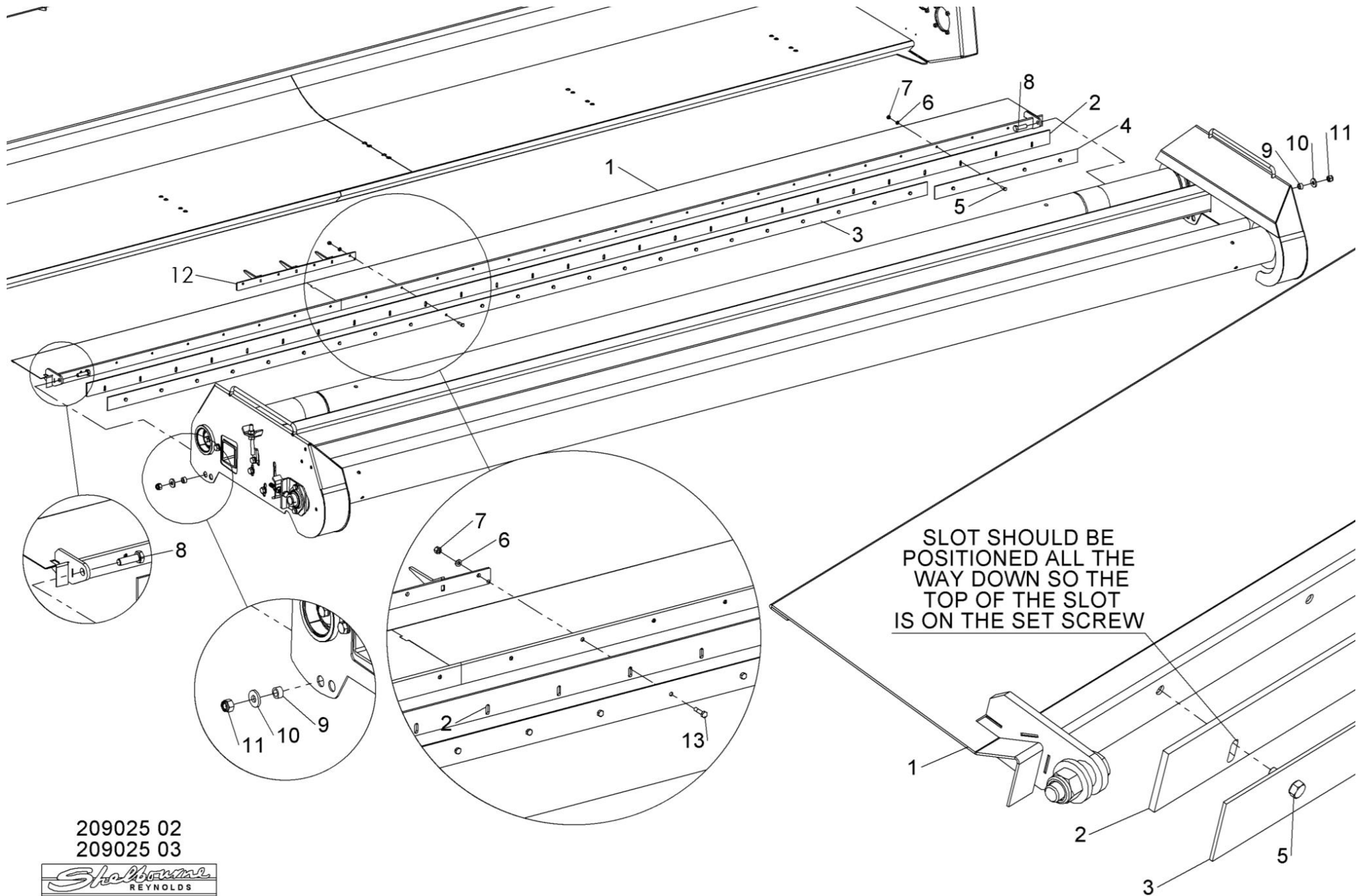
209025 02  
209025 03



## Shelbourne Reynolds Engineering Limited

ASSY NUMBER: 209025 03				ASSY DESCRIPTION: STRIPPER PLATE SUB ASSY (4.8M)			
ITEM	PART NO	DESCRIPTION	QTY	ITEM	PART NO	DESCRIPTION	QTY
1	200409 01	STRIPPER PLATE	1				
2	200403 01	CANVAS STRIP	1				
3	200337 01	CANVAS CLAMP STRIP	1				
4	200337 02	CANVAS CLAMP STRIP (1.2M)	1				
5	HSS-0086	SET SCREW	23				
6	WSH-0009	PLAIN WASHER	31				
7	NUT-0260	NYLOC NUT	31				
8	HSS-0250	SET SCREW	2				
9	612316 01	SPACER	2				
10	190119 04	WASHER	2				
11	NUT-0269	NYLOC NUT	2				
12	200637 01	STRIPPER PLATE BRACE	2				
13	HSS-0088	SET SCREW	8				
14							
15							
16							
17							
18							
19							
20							
21							
22							
23							
24							
25							
26							
27							
28							
29							
30							
31							
32							
33							
34							
35							
36							
37							
38							
39							
40							

# Shelbourne Reynolds Engineering Limited

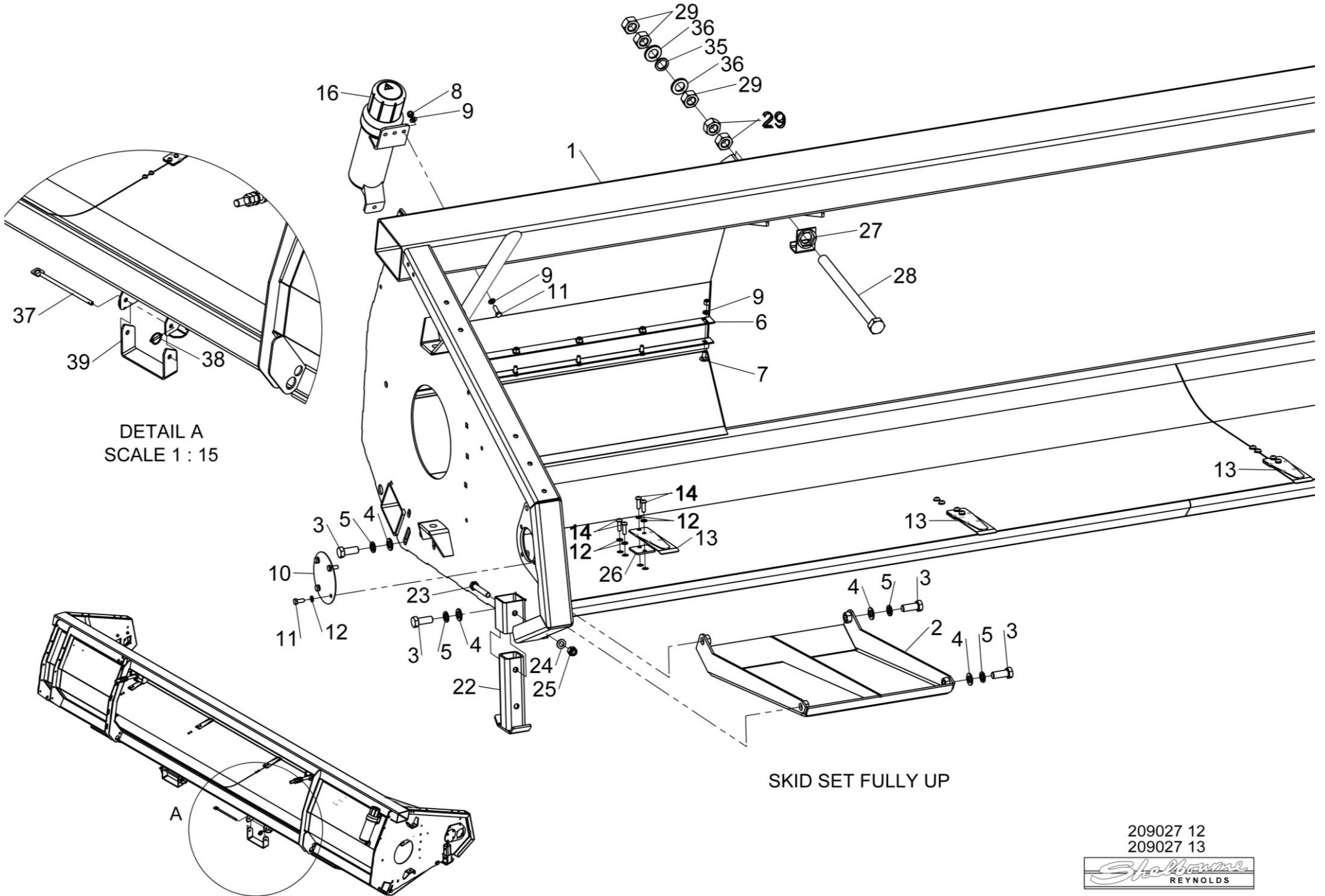


## Shelbourne Reynolds Engineering Limited

ASSY NUMBER: 209027 12				ASSY DESCRIPTION: FRAME & PARTS SUB 4.2M			
ITEM	PART NO	DESCRIPTION	QTY	ITEM	PART NO	DESCRIPTION	QTY
1	200462 01	MAINFRAME ASSY 4.2M	1				
2	200438 01	SKID W/A	2				
3	HSS-0316	SETSCREW	8				
4	WSH-0024	PLAIN WASHER	8				
5	WSH-0070	SPRING WASHER	8				
6	200455 03	SCRAPER (4.2M)	2				
7	BLT-4710	COACH BOLT	12				
8	NUT-0263	NYLOC NUT	15				
9	WSH-0012	PLAIN WASHER	16				
10	200030 01	COVER PLATE	2				
11	HSS-0140	SETSCREW	8				
12	WSH-0058	SPRING WASHER	28				
13	200521 01	LOWER SPRING PLATE	5				
14	SCBA08172	BUTT SOC HEAD SCREW	20				
16	PCN-00100	PLASTIC CANISTER (MANUAL)	1				
22	200493 01	STAND	2				
23	BLTA12500	HEX.HEAD BOLT	2				
24	WSH-0018	PLAIN WASHER	2				
25	NUT-0269	NYLOC NUT	2				
26	200520 01	SPACER PLATE	5				
27	194987 01	ADPT PLT LOCKING ASSY	2				
28	HSSA24994	HEX HEAD SET SCREW	2				
29	NUT-0190	PLAIN HEX.NUT	10				
35	190548 62	WASHER	2				
36	WSH-0036	PLAIN WASHER	4				
37	200620 01	PIN WA	2				
38	PIN-01601	LYNCH PIN	2				
39	200613 01	FORK POCKET	2				



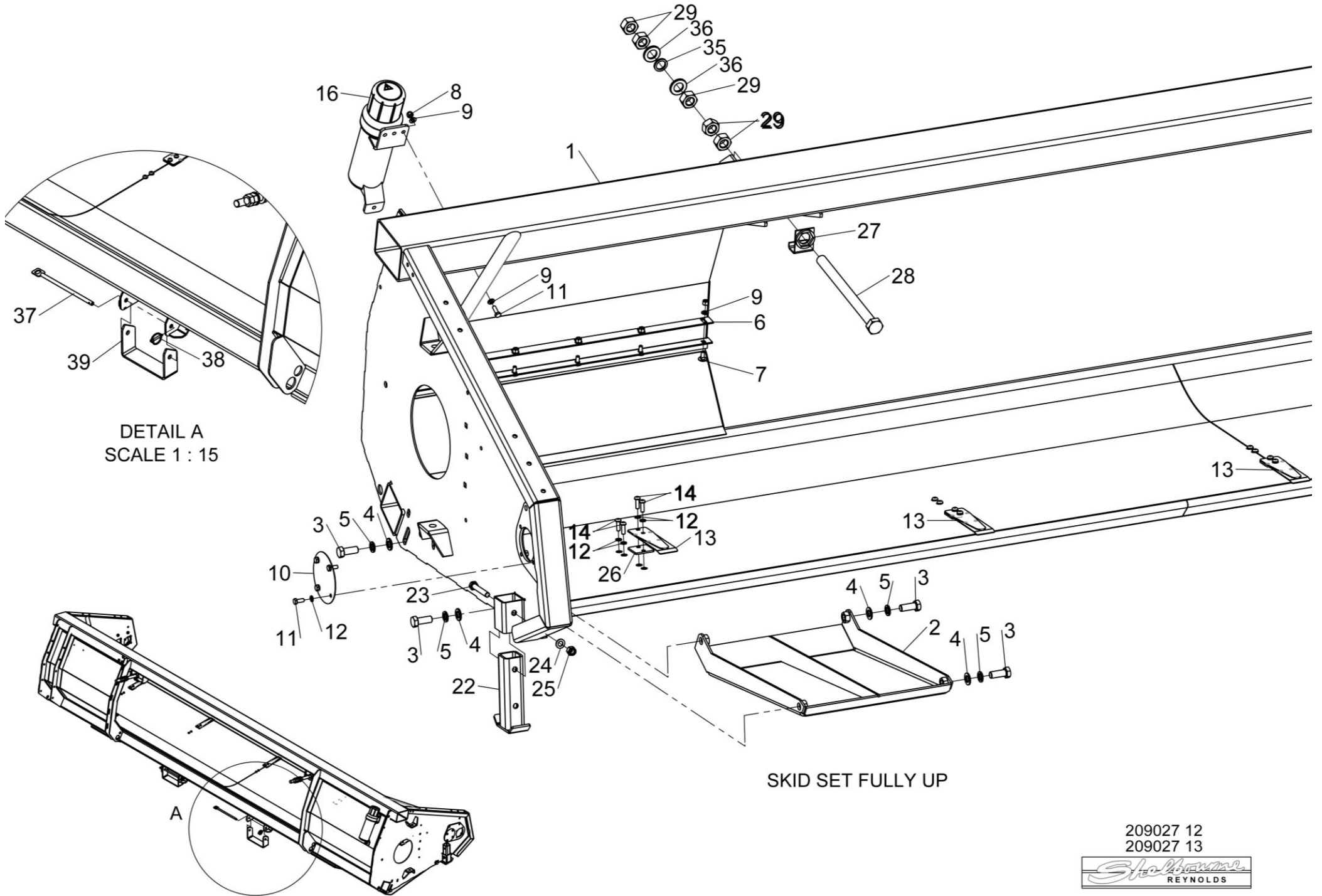
# Shelbourne Reynolds Engineering Limited



## Shelbourne Reynolds Engineering Limited

ASSY NUMBER: 209027 13				ASSY DESCRIPTION: FRAME & PARTS SUB 4.8M			
ITEM	PART NO	DESCRIPTION	QTY	ITEM	PART NO	DESCRIPTION	QTY
1	200463 01	MAINFRAME ASSY 4.8M	1				
2	200438 01	SKID W/A	2				
3	HSS-0316	SETSCREW	8				
4	WSH-0024	PLAIN WASHER	8				
5	WSH-0070	SPRING WASHER	8				
6	200455 01	SCRAPER (4.8M)	2				
7	BLT-4710	COACH BOLT	16				
8	NUT-0263	NYLOC NUT	19				
9	WSH-0012	PLAIN WASHER	20				
10	200030 01	COVER PLATE	2				
11	HSS-0140	SETSCREW	8				
12	WSH-0058	SPRING WASHER	28				
13	200521 01	LOWER SPRING PLATE	5				
14	SCBA08172	BUTT SOC HEAD SCREW	20				
16	PCN-00100	PLASTIC CANISTER (MANUAL)	1				
22	200493 01	STAND	2				
23	BLTA12500	HEX.HEAD BOLT	2				
24	WSH-0018	PLAIN WASHER	2				
25	NUT-0269	NYLOC NUT	2				
26	200520 01	SPACER PLATE	5				
27	194987 01	ADPT PLT LOCKING ASSY	2				
28	HSSA24994	HEX HEAD SET SCREW	2				
29	NUT-0190	PLAIN HEX.NUT	10				
35	190548 62	WASHER	2				
36	WSH-0036	PLAIN WASHER	4				
37	200620 01	PIN WA	2				
38	PIN-01601	LYNCH PIN	2				
39	200613 01	FORK POCKET	2				

Shelbourne Reynolds Engineering Limited

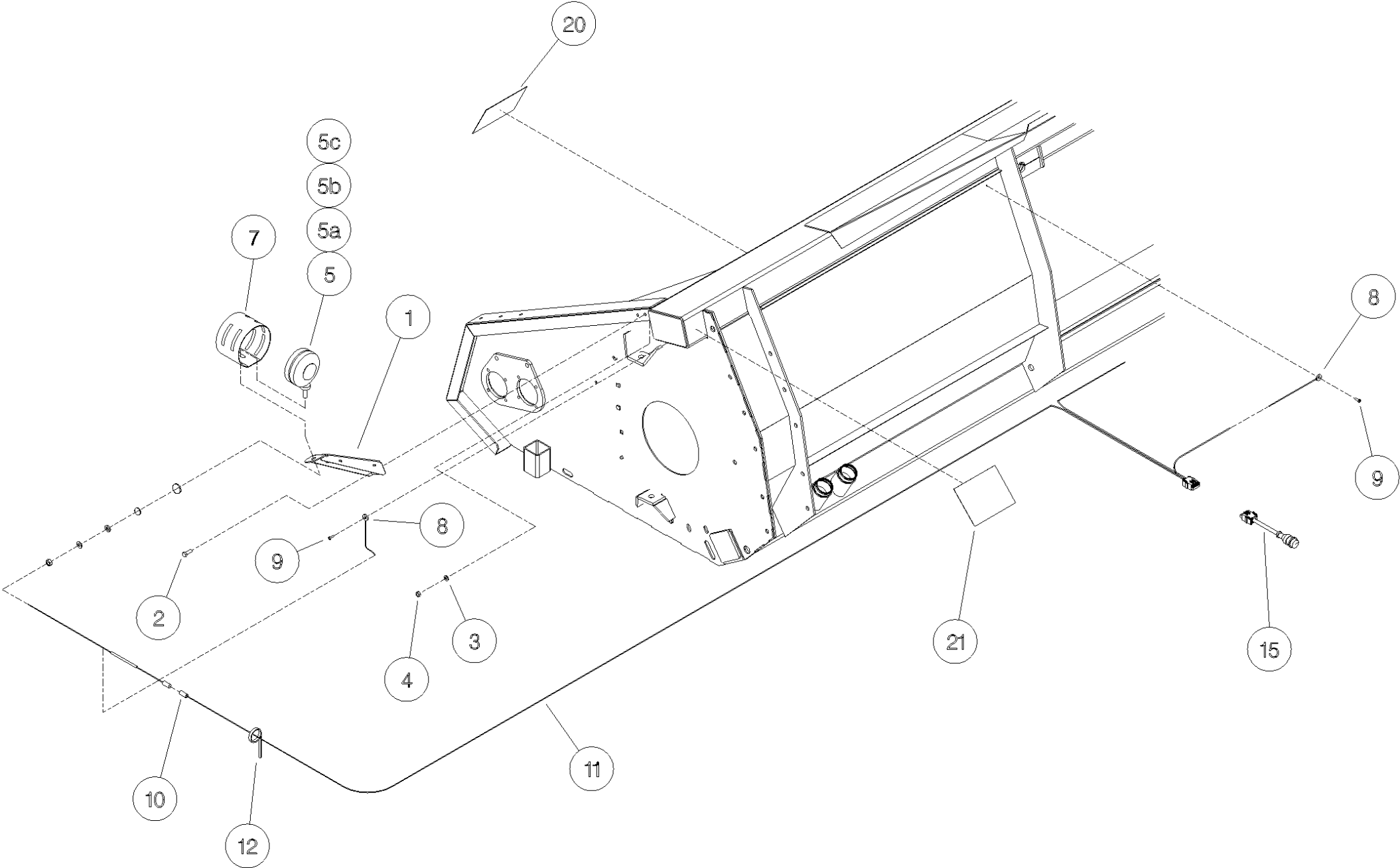


209027 12  
209027 13



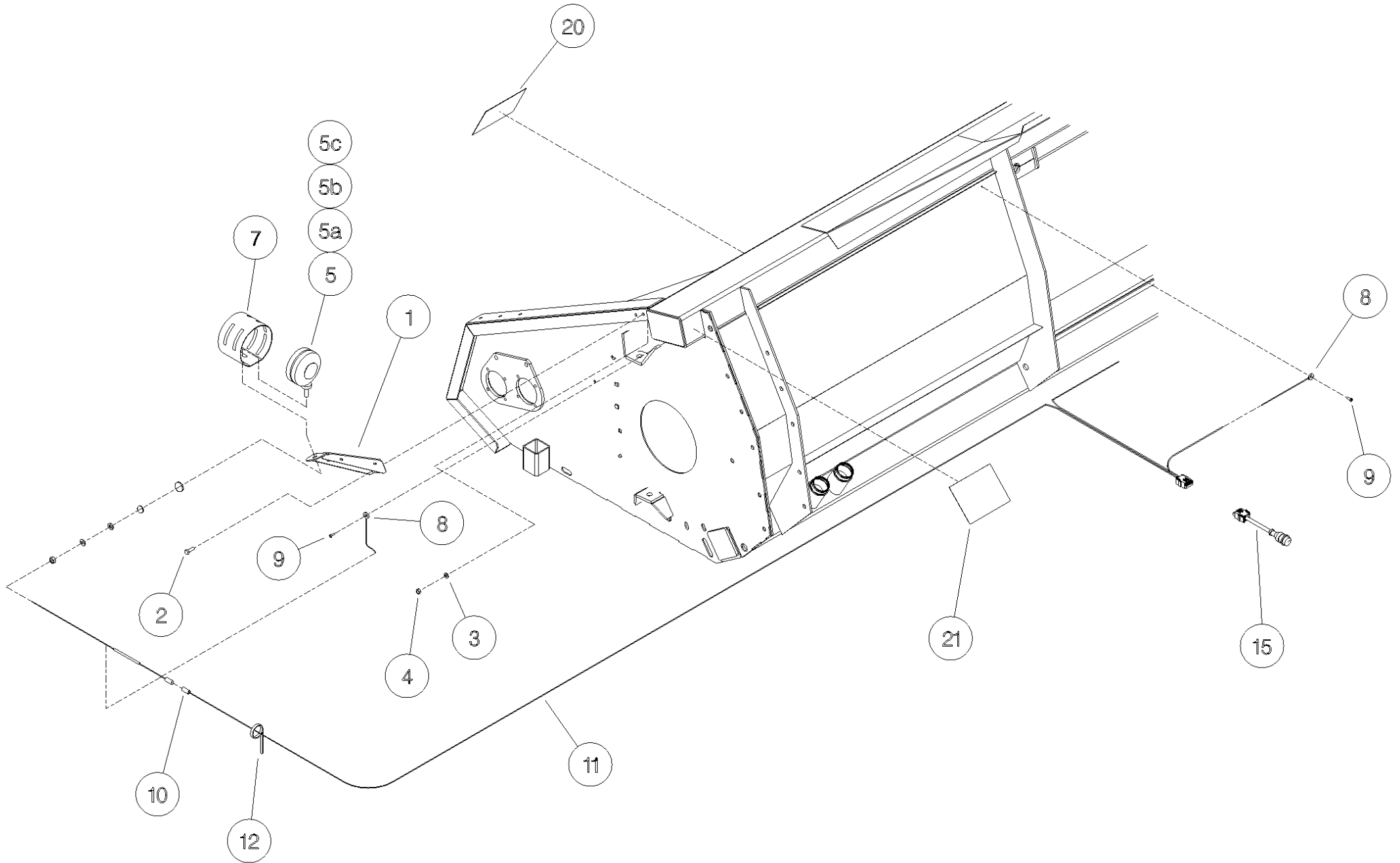
## Shelbourne Reynolds Engineering Limited

ASSY NUMBER: 209028 02				ASSY DESCRIPTION: HEADER LIGHTS SUB (4.2M)			
ITEM	PART NO	DESCRIPTION	QTY	ITEM	PART NO	DESCRIPTION	QTY
1	200465 01	LIGHT BRACKET	2				
2	HSS-0140	SET SCREW	4				
3	WSH-0012	PLAIN WASHER	4				
4	NUT-0263	NYLOC NUT	4				
5	LMP-10501	INDICATOR LIGHT ASSY	2				
5A	LMP-10000	LENS-FRONT (SPARES)	2				
5B	LMP-10001	LENS-REAR (SPARES)	2				
5C	BLB-0075	BULB (SPARES)	2				
6							
7	193567 01	INDICATOR GUARD	2				
8	ETM-00440	LOOP TERMINAL	2				
9	SCW-5180	SELF TAP SCREW	3				
10	ETM-00560	MALE BULLET TERM.	2				
11	200469 01	WIRE LOOM & PLUG ASSY	1				
12	TIE-0002	TIE WRAP	5				
13							
14							
15	193516 01	LOOM & PLUG ASSY (JD ONLY)	1				
16							
17							
18							
19							
20	TPE-00250	REFLECTIVE TAPE - AMBER	0.1				
20	TPE-00250	REFLECTIVE TAPE - AMBER	0.1				
21	TPE-00251	REFLECTIVE TAPE - RED	0.1				
21	TPE-00251	REFLECTIVE TAPE - RED	0.1				



## Shelbourne Reynolds Engineering Limited

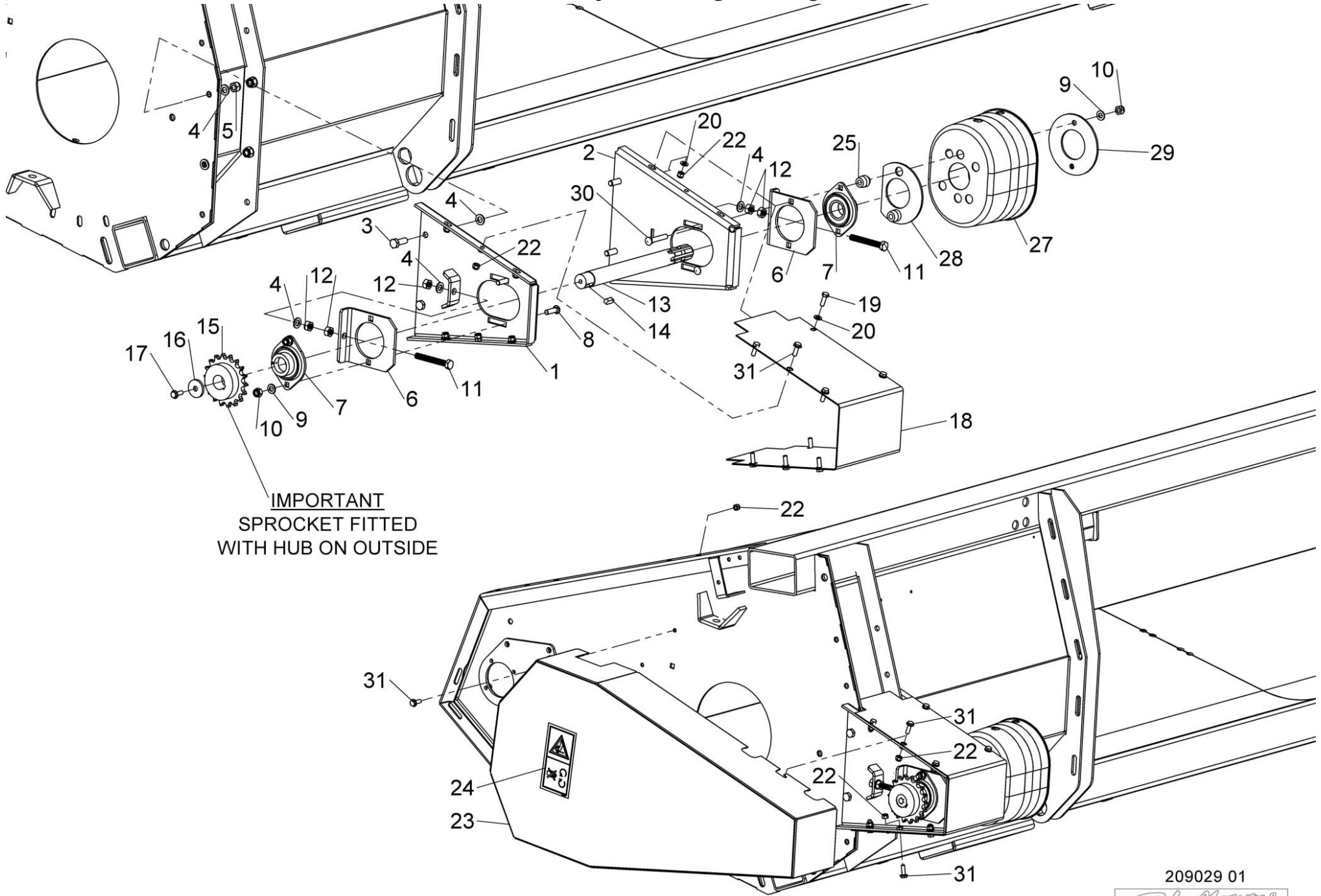
ASSY NUMBER: 209028 03				ASSY DESCRIPTION: HEADER LIGHTS SUB (4.8M)			
ITEM	PART NO	DESCRIPTION	QTY	ITEM	PART NO	DESCRIPTION	QTY
1	200465 01	LIGHT BRACKET	2				
2	HSS-0140	SET SCREW	4				
3	WSH-0012	PLAIN WASHER	4				
4	NUT-0263	NYLOC NUT	4				
5	LMP-10501	INDICATOR LIGHT ASSY	2				
5A	LMP-10000	LENS-FRONT (SPARES)	2				
5B	LMP-10001	LENS-REAR (SPARES)	2				
5C	BLB-0075	BULB (SPARES)	2				
6							
7	193567 01	INDICATOR GUARD	2				
8	ETM-00440	LOOP TERMINAL	2				
9	SCW-5180	SELF TAP SCREW	3				
10	ETM-00560	MALE BULLET TERM.	2				
11	200468 01	WIRE LOOM & PLUG ASSY	1				
12	TIE-0002	TIE WRAP	5				
13							
14							
15	193516 01	LOOM & PLUG ASSY (JD ONLY)	1				
16							
17							
18							
19							
20	TPE-00250	REFLECTIVE TAPE - AMBER	0.1				
20	TPE-00250	REFLECTIVE TAPE - AMBER	0.1				
21	TPE-00251	REFLECTIVE TAPE - RED	0.1				
21	TPE-00251	REFLECTIVE TAPE - RED	0.1				



## Shelbourne Reynolds Engineering Limited

ASSY NUMBER: 209029 01				ASSY DESCRIPTION: MECHANICAL AUGER DRIVE			
ITEM	PART NO	DESCRIPTION	QTY	ITEM	PART NO	DESCRIPTION	QTY
1	200447 01	ADJUSTER PLATE W/A LH	1				
2	200447 02	ADJUSTER PLATE W/A RH	1				
3	HSS-0241	SET SCREW	4				
4	WSH-0018	PLAIN WASHER	12				
5	NUT-0269	NYLOC NUT	4				
6	200449 01	BEARING SUPPORT PLATE	2				
7	BRG-23510	ROUND FLANGED SUPPORT	2				
8	BLTF10231	COACH BOLT 2014 & ON	2				
OR	BLTF10231	COACH BOLT PRE 2014	4				
9	WSH-0015	PLAIN WASHER	4				
10	NUT-0265	NYLOC NUT	4				
11	HSSA12530	HEX.HEAD SET SCREW	2				
12	NUT-0170	PLAIN NUT	6				
13	200456 01	DRIVE SHAFT	1				
14	K1008025	KEY	1				
15	MAN-04105	AUGER SPROCKETS	1				
16	190548 01	RETAINING WASHER	1				
17	HSSF10174	HEX. HD SET SCREW	1				
18	200453 01	COVER PLATE	1				
19	HSS-0145	SETSCREW	8				
20	WSH-0012	PLAIN WASHER 2016 & ON	16				
21							
22	NUT-0263	NYLOC NUT	12				
23	200481 01	CHAIN GUARD WELD ASSY	1				
24	193392 01	STOP ENG BEFORE TRAN	1				
25	200579 01	SPACING BOSS	2				
26			2				
27	PTO-00962	PTO MACHINE CONE	1				
28	200580 01	PTO COVER RING	1				
29	200581 01	PTO COVER RING	1				
30	BLTF10413	COACH BOLT	2				
31	HSSF08204	TENSILOCK SETSCREW	4				

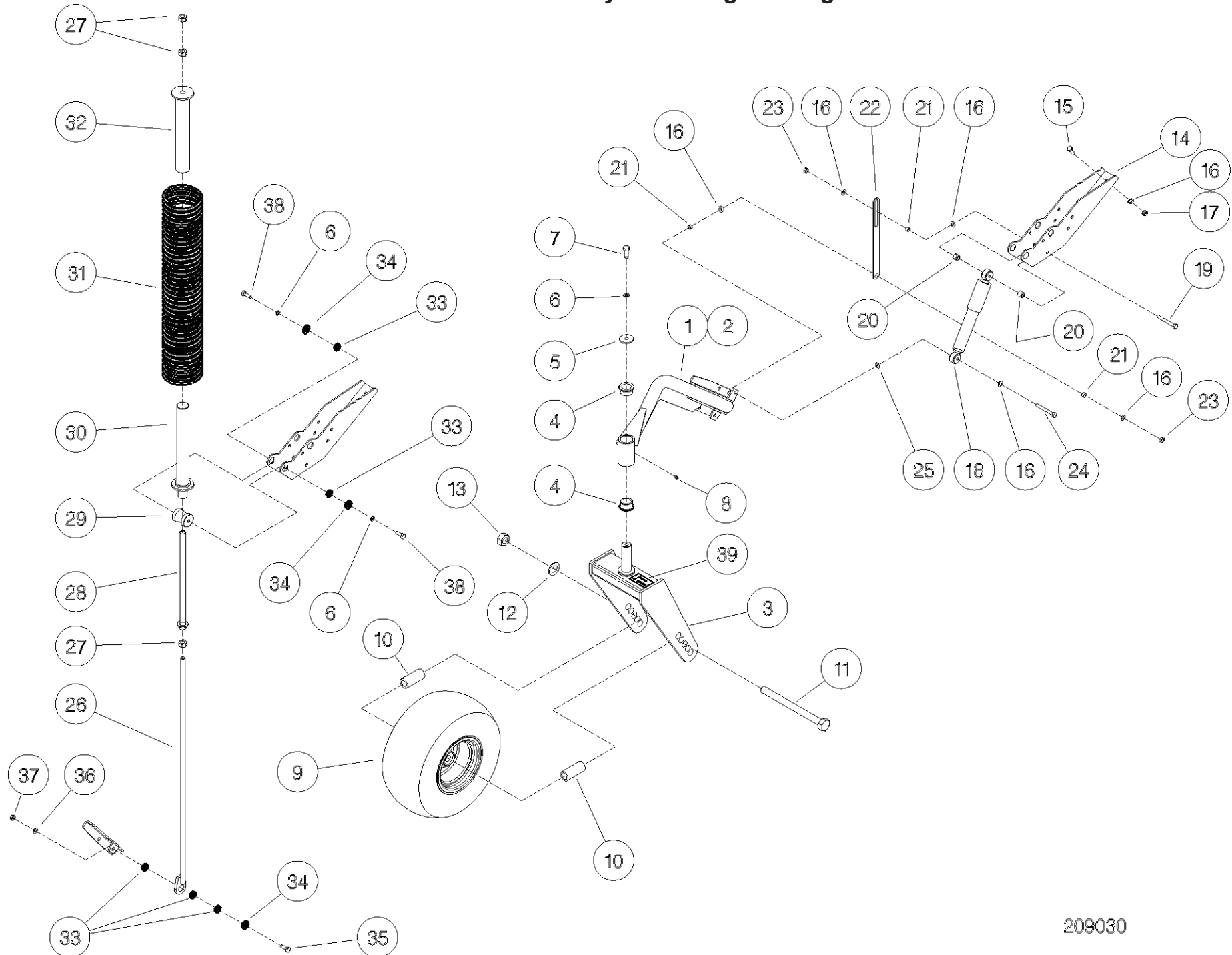




**IMPORTANT**  
 SPROCKET FITTED  
 WITH HUB ON OUTSIDE

## Shelbourne Reynolds Engineering Limited

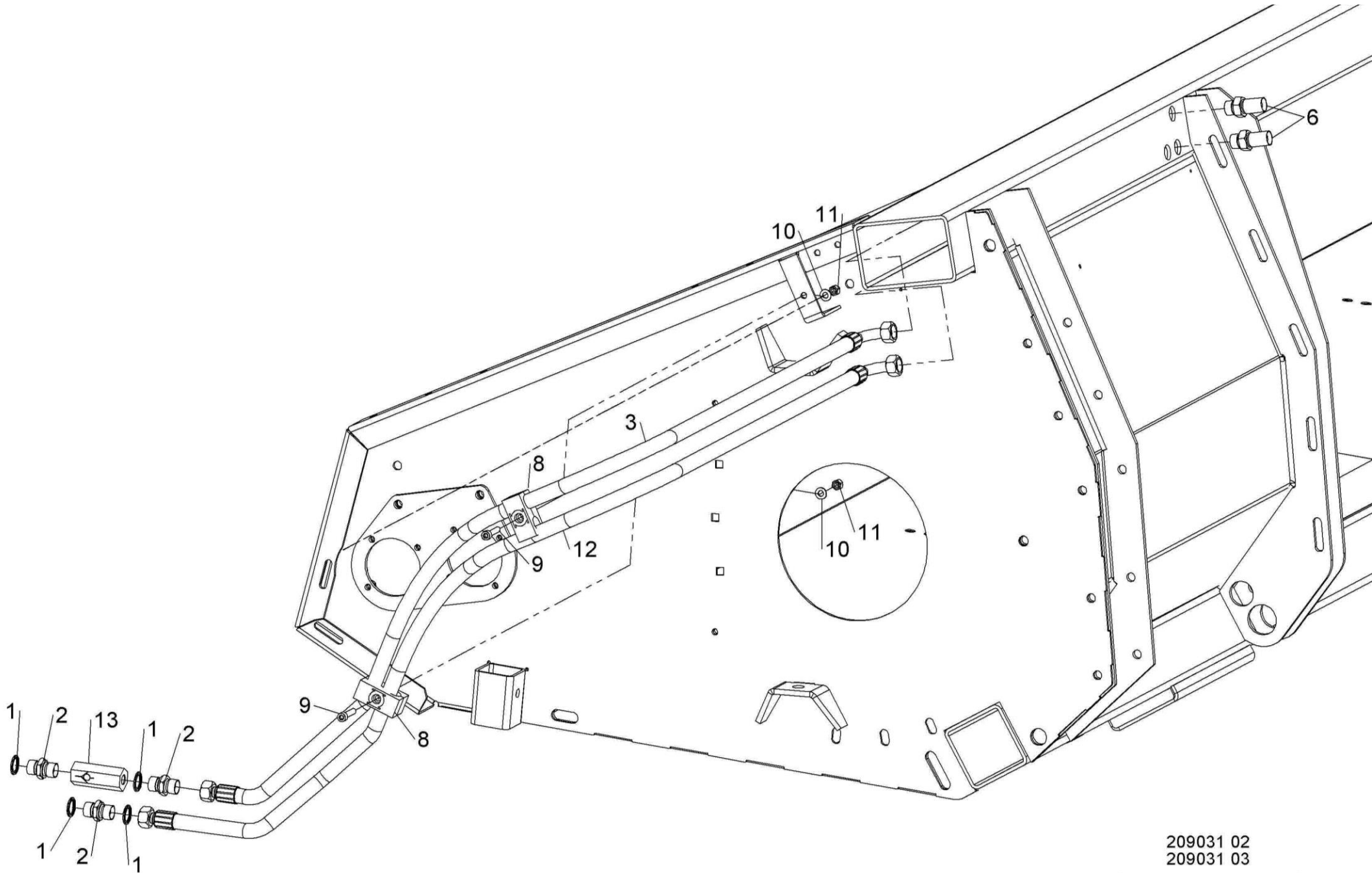
ASSY NUMBER: 209030 01				ASSY DESCRIPTION: DRAPER WHEELS & SPRINGS SUB ASSY(USA)			
ITEM	PART NO	DESCRIPTION	QTY	ITEM	PART NO	DESCRIPTION	QTY
1	200525 01	WHEEL ARM ASSY LH	1				
2	200525 02	WHEEL ARM ASSY RH	1				
3	200381 01	WHEEL MOUNT ASSY	2				
4	BSHE03553	FLANGED BUSH	4				
5	190119 15	WASHER	2				
6	WSH-0065	SPRING WASHER	6				
7	HSS-0238	SET SCREW	2				
8	NIP-00600	GREASE NIPPLE	2				
9	WHL-00830	WHEEL & TYRE ASSY	2				
10	200393 01	SPACER	4				
11	BLTA24990	BOLT	2				
12	WSH-0036	PLAIN WASHER	2				
13	NUT-0275	NYLOC NUT	2				
14	200524 01	SPRING SUPPORT	2				
15	HSS-0191	SET SCREW	6				
16	WSH-0015	PLAIN WASHER	16				
17	NUT-0265	NYLOC NUT	6				
18	SAB-10000	SHOCK ABSORBER	2				
19	BLTB20480	BOLT	2				
20	200436 01	SPACER	4				
21	200514 01	SPACER	6				
22	200500 01	STRAP	2				
23	NUT-0217	NYLOC NUT	4				
24	BLT-0162	BOLT	2				
25	190119 19	WASHER	2				
26	200434 01	SPRING TENSIONER ASSY	2				
27	NUT-0180	PLAIN NUT	6				
28	200513 01	SLEEVE ASSY	2				
29	200423 01	SPRING SUPPORT INNER BOSS	2				
30	200430 01	LOWER DISC ASSY	2				
31	SPGC88399	COMPRESSION SPRING	2				
32	200429 01	UPPER DISC ASSY	2				
33	190119 25	WASHER	10				
34	190119 16	WASHER	6				
35	HSS-0260	SET SCREW	2				
36	WSH-0018	PLAIN WASHER	2				
37	NUT-0269	NYLOC NUT	2				
38	HSS-0235	SETSCREW	4				
39	127075 16	TRANSFER (GREASE 50 HOURS)	2				



209030

## Shelbourne Reynolds Engineering Limited

ASSY NUMBER: 209031 02				ASSY DESCRIPTION: DRAPER HYDR.SUB (4.2M)			
ITEM	PART NO	DESCRIPTION	QTY	ITEM	PART NO	DESCRIPTION	QTY
1	WSH-1015	DOWTY WASHER 1/2"	4				
2	HMA-0067	ADAPTOR MALE/MALE	3				
3	HHBF18305	HYDRAULIC HOSE ASSY	1				
6	HAGAA0707	BULKHEAD ADAPTOR	2				
7							
8	HCPD02000	HYDRAULIC PIPE CLAMP	2				
9	SCCA08293	HT CAP HEAD SCREW	2				
10	WSH-0012	PLAIN WASHER	2				
11	NUT-0263	NYLOC NUT	2				
12	HHBF19005	HYD HOSE ASSY	1				
13	HVB-20530	NON RETURN VALVE	1				

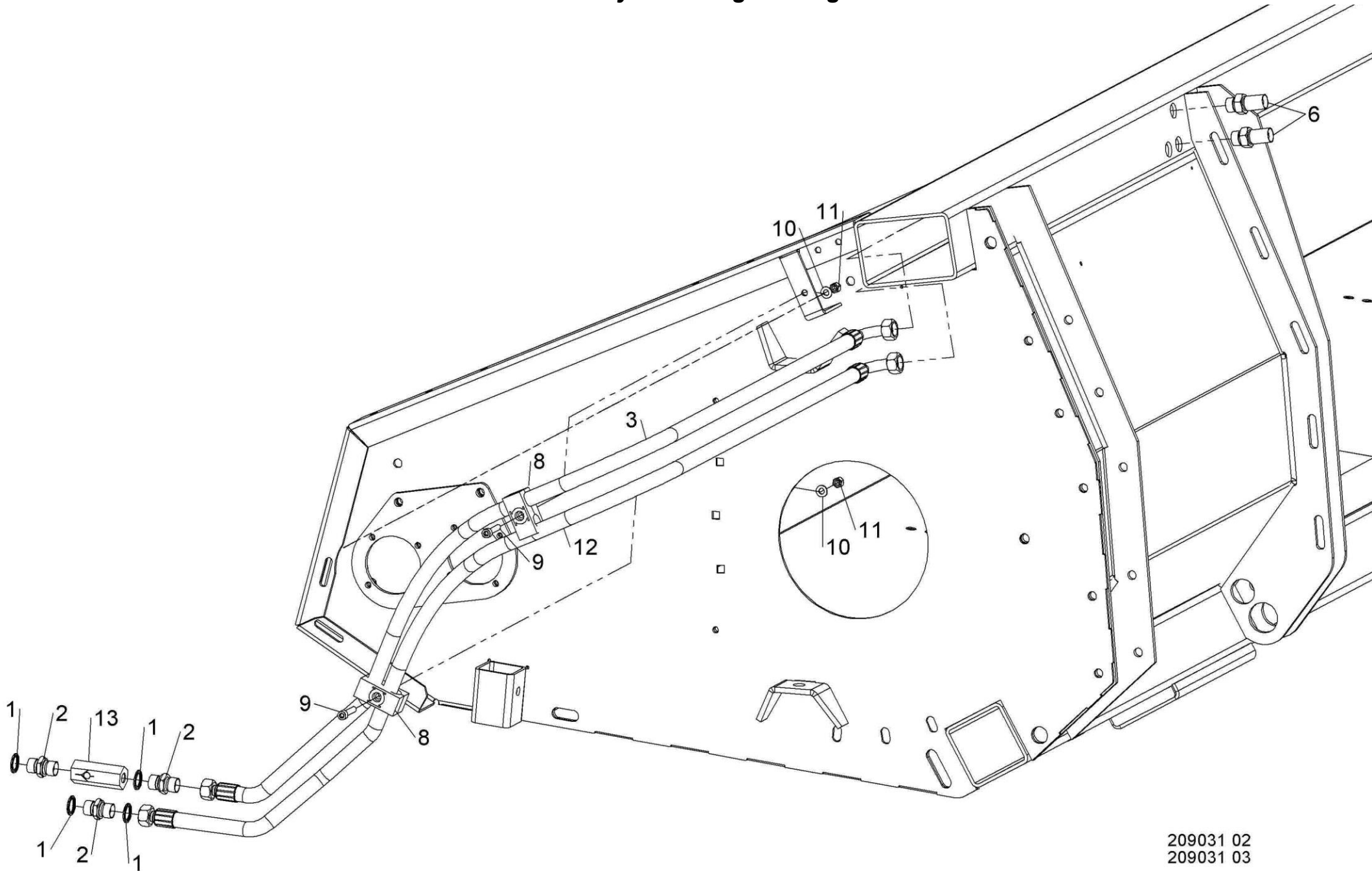


209031 02  
209031 03



## Shelbourne Reynolds Engineering Limited

ASSY NUMBER: 209031 03				ASSY DESCRIPTION: DRAPER HYDR.SUB (4.8M)			
ITEM	PART NO	DESCRIPTION	QTY	ITEM	PART NO	DESCRIPTION	QTY
1	WSH-1015	DOWTY WASHER 1/2"	4				
2	HMA-0067	ADAPTOR MALE/MALE	3				
3	HHBF21005	HYDRAULIC HOSE ASSY	1				
6	HAGAA0707	BULKHEAD ADAPTOR	2				
7							
8	HCPD02000	HYDRAULIC PIPE CLAMP	2				
9	SCCCA08293	HT CAP HEAD SCREW	2				
10	WSH-0012	PLAIN WASHER	2				
11	NUT-0263	NYLOC NUT	2				
12	HVB-20530	NON RETURN VALVE	1				
13	HHBF22005	HYDRAULIC HOSE ASSY	1				



209031 02  
209031 03

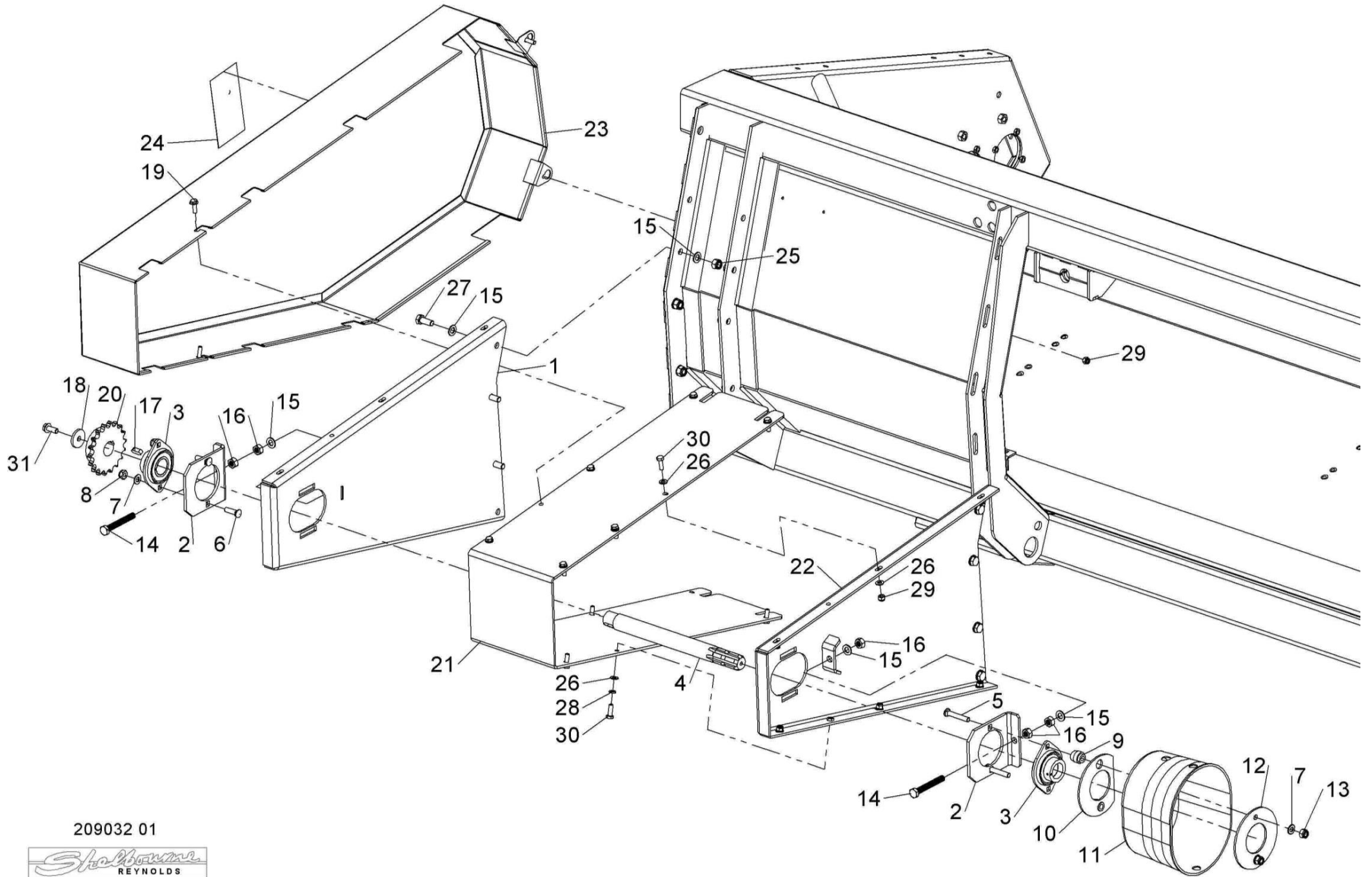


## Shelbourne Reynolds Engineering Limited

ASSY NUMBER: 209032 01				ASSY DESCRIPTION: MECHANICAL AUGER DRIVE			
ITEM	PART NO	DESCRIPTION	QTY	ITEM	PART NO	DESCRIPTION	QTY
1	200586 01	BACK ANGLE EXTENTION CLAAS	1				
2	200449 01	BEARING SUPPORT PLATE	2				
3	BRG-23510	ROUND FLANGED SUPPORT	2				
4	200456 01	DRIVE SHAFT	1				
5	BLTF10238	COACH BOLT	2				
6	BLTF10231	COACH BOLT	2				
7	WSH-0015	PLAIN WASHER	4				
8	NUT-0267	NYLOC NUT	2				
9	200579 01	SPACING BOSS	2				
10	200580 01	PTO COVER RING	1				
11	PTO-00962	PTO MACHINE CONE	1				
12	200581 01	PTO COVER RING	1				
13	NUT-0265	NYLOC NUT	2				
14	HSSA12530	HEX.HEAD SET SCREW	2				
15	WSH-0018	PLAIN WASHER	20				
16	NUT-0170	PLAIN NUT	6				
17	K1008025	KEY	1				
18	190548 01	RETAINING WASHER	1				
19	HSSF08204	TENSILOCK SETSCREW	4				
20	192768 18	SPROCKET ASSY 18T	1				
21	200588 01	GUARD PLATE EXTENSION FOR	1				
22	200586 02	BACK ANGLE EXTENTION CLAAS	1				
23	200592 01	GUARD FOR CLAAS MONTANA	1				
24	193392 01	STOP ENG BEFORE TRAN	1				
25	NUT-0269	NYLOC NUT	8				
26	WSH-0012	PLAIN WASHER	26				
27	HSS-0238	SET SCREW	8				
28	WSH-0058	SPRING WASHER	2				
29	NUT-0263	NYLOC NUT	14				
30	HSS-0145	SETSCREW	14				
31	HSSF10174	TENSILOCK SETSCREW	1				



Shelbourne Reynolds Engineering Limited



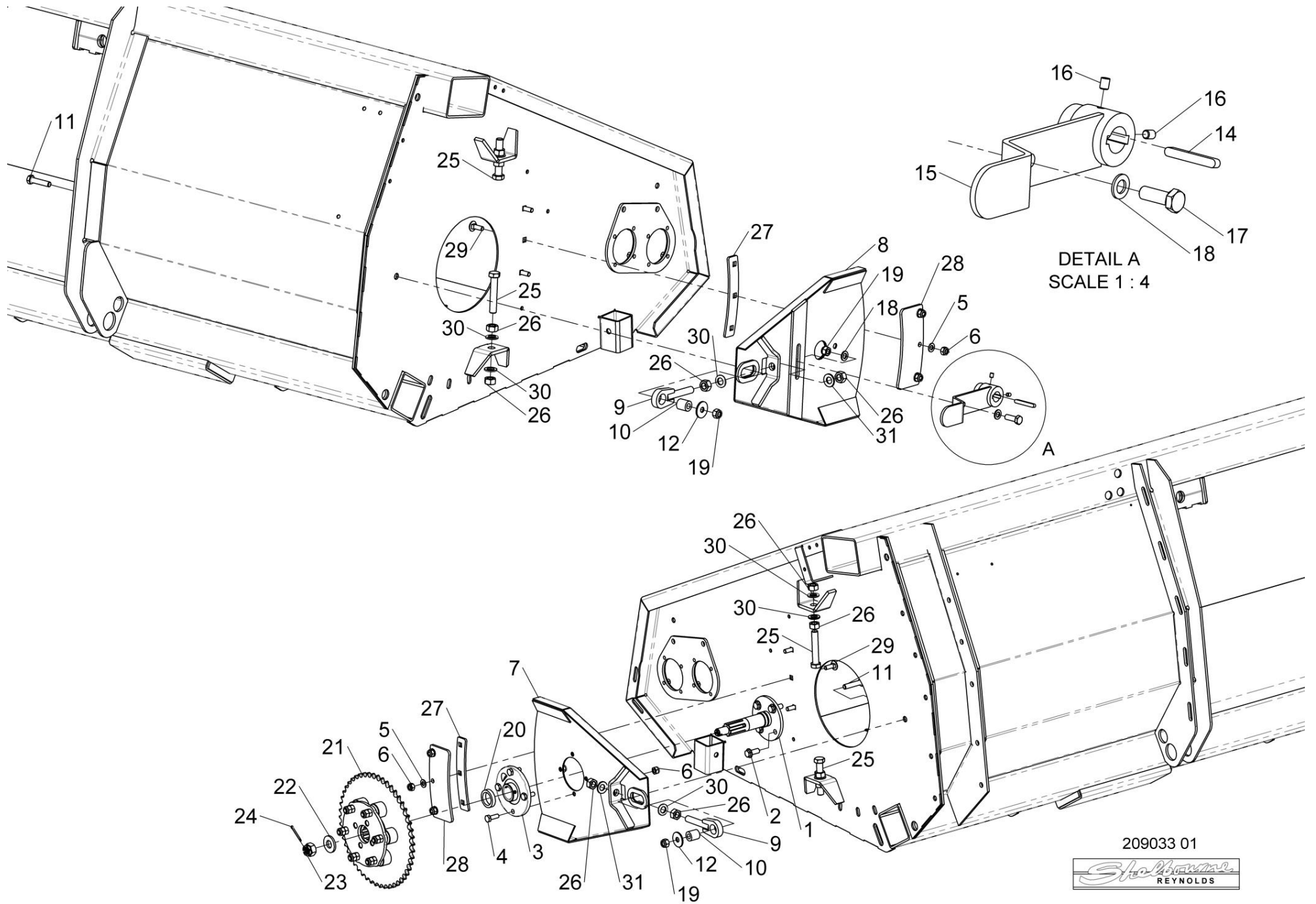
209032 01



## Shelbourne Reynolds Engineering Limited

ASSY NUMBER: 209033 01				ASSY DESCRIPTION: AUGER MTG AND DRIVE SUB (MECHANICAL)			
ITEM	PART NO	DESCRIPTION	QTY	ITEM	PART NO	DESCRIPTION	QTY
1	200608 01	DRIVE SHAFT W/A	1				
2	HSSF12204	TENSILOCK SETSCREW	4				
3	BRG-23560	BEARING	1				
4	HSS-0194	SET SCREW	4				
5	WSH-0015	WASHER	6				
6	NUT-0265	NUT	10				
7	200606 01	ADJUSTER PLATE	1				
8	200622 01	ADJUSTER PLATE	1				
9	290360 01	ADJUSTER WELD ASSY	2				
10	290363 01	SPACER	2				
11	HSS-0265	SET SCREW	2				
12	190119 26	WASHER	2				
13	-	-	-				
14	K0807060	KEY	1				
15	200120 02	FINGER ADJUSTER	1				
16	SCW-4535	GRUB SCREW	2				
17	HSS-0241	SET SCREW	1				
18	WSH-0018	WASHER	2				
19	NUT-0269	NUT	3				
20	200609 01	SPACER	1				
21	KIT-00124	AUGER DRV/SPRKT CLUTCH	1				
22	190119 47	WASHER	1				
23	NUT-0580	CASTLE NUT	1				
24	PIN-1150	SPLIT PIN	1				
25	HSS-0330	SET SCREW	4				
26	NUT-0180	NUT	12				
27	292339 01	SUPPORT PLATE	2				
28	200596 01	OVERLAP PLATE	2				
29	BLTF10231	COACH BOLT	6				
30	WSH-0024	WASHER	10				
31	WSHA30161	LOCKWASHER	2				

Shelbourne Reynolds Engineering Limited



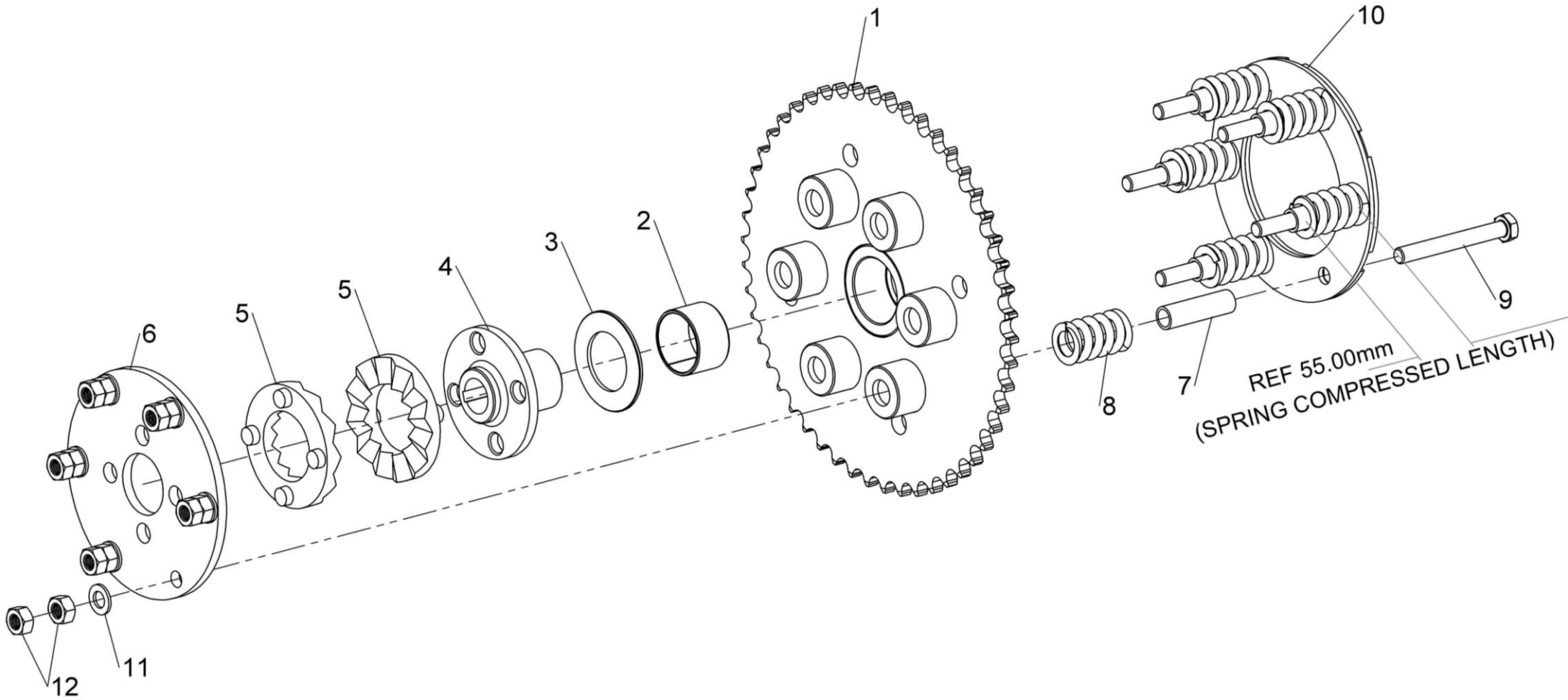
DETAIL A  
SCALE 1 : 4



# Kit Options

## Shelbourne Reynolds Engineering Limited

ASSY NUMBER: KIT-00117				ASSY DESCRIPTION: AUGER DRV/SPRKT CLUTCH			
ITEM	PART NO	DESCRIPTION	QTY	ITEM	PART NO	DESCRIPTION	QTY
1	200412 01	SPROCKET WELD ASSY	1				
2	BSH-3019	BUSH	1				
3	192008 01	THRUST WASHER	1				
4	192013 01	CLUTCH HUB	1				
5	131005	CLUTCH PLATE	2				
6	194517 01	DRIVE DISC	1				
7	131073 04	SPACER 2014 & ON	6				
OR	131073 03	SPACER PRE 2014					
8	131063	COMPRESSION SPRING	6				
9	BLT-2270	HEX.HEAD BOLT	6				
10	195041 01	LOCKING RING ASSY	1				
11	WSH-0018	PLAIN WASHER	6				
12	NUT-0170	PLAIN NUT	12				



KIT-00117

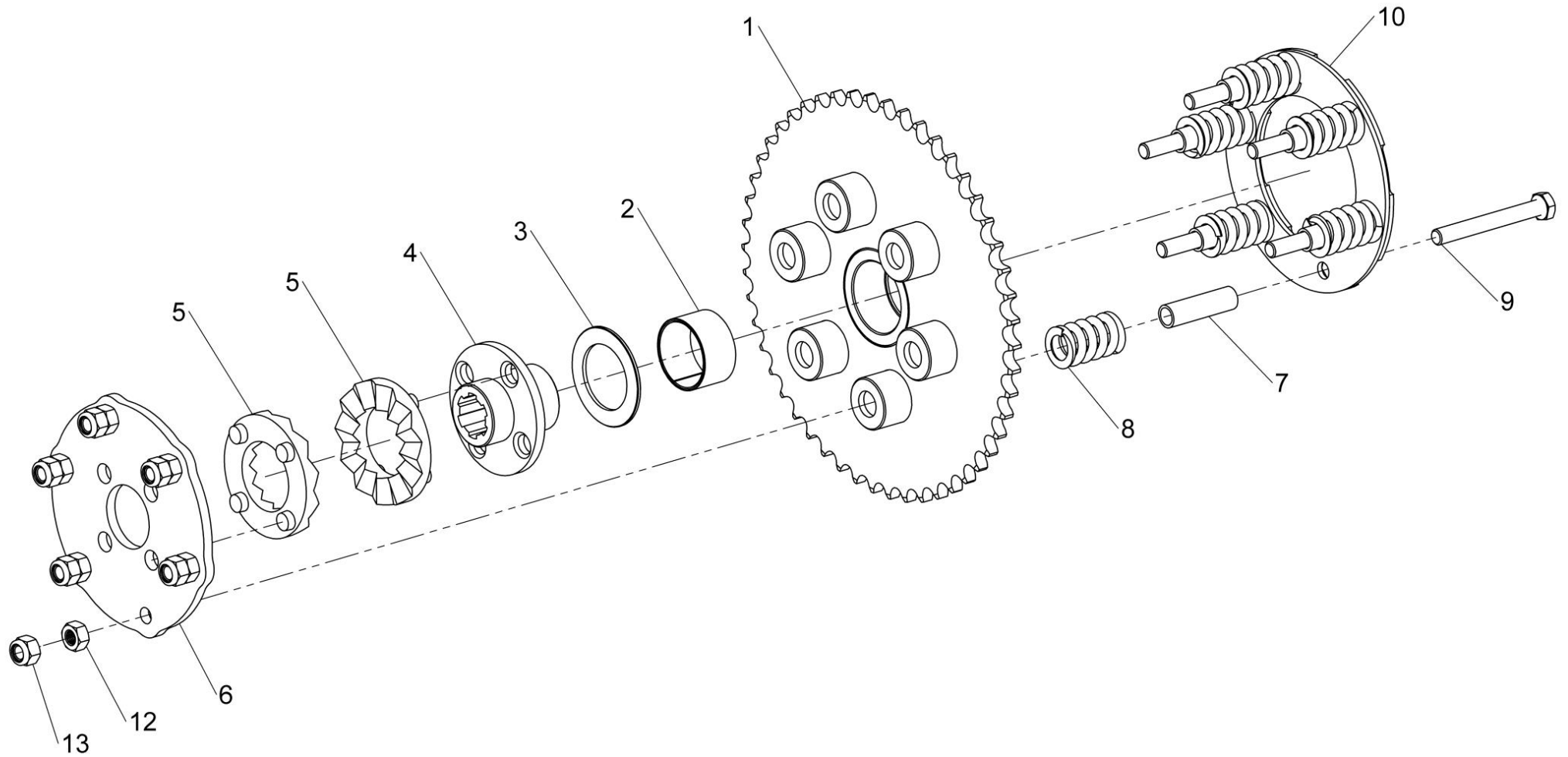


## Shelbourne Reynolds Engineering Limited

ASSY NUMBER: KIT-00124				ASSY DESCRIPTION: AUGER DRV/SPRKT CLUTCH			
ITEM	PART NO	DESCRIPTION	QTY	ITEM	PART NO	DESCRIPTION	QTY
1	200603 01	SPROCKET WELD ASSY	1				
2	BSHK05056	BUSH	1				
3	192008 02	THRUST WASHER	1				
4	195850 01	CLUTCH HUB	1				
5	131005 01	CLUTCH PLATE	2				
6	200605 01	DRIVE DISC	1				
7	131073 04	SPACER	6				
8	SPGC73321	COMP.SPRING(BLACK) 2023 & ON	6				
OR	131063	COMP.SPRING(YELLOW) UPTO 2023	6				
9	BLT-2270	HEX.HEAD BOLT	6				
10	195041 01	LOCKING RING ASSY	1				
11	-	-	-				
12	NUT-0170	PLAIN NUT	6				
13	NUT-0269	NYLOC NUT	6				



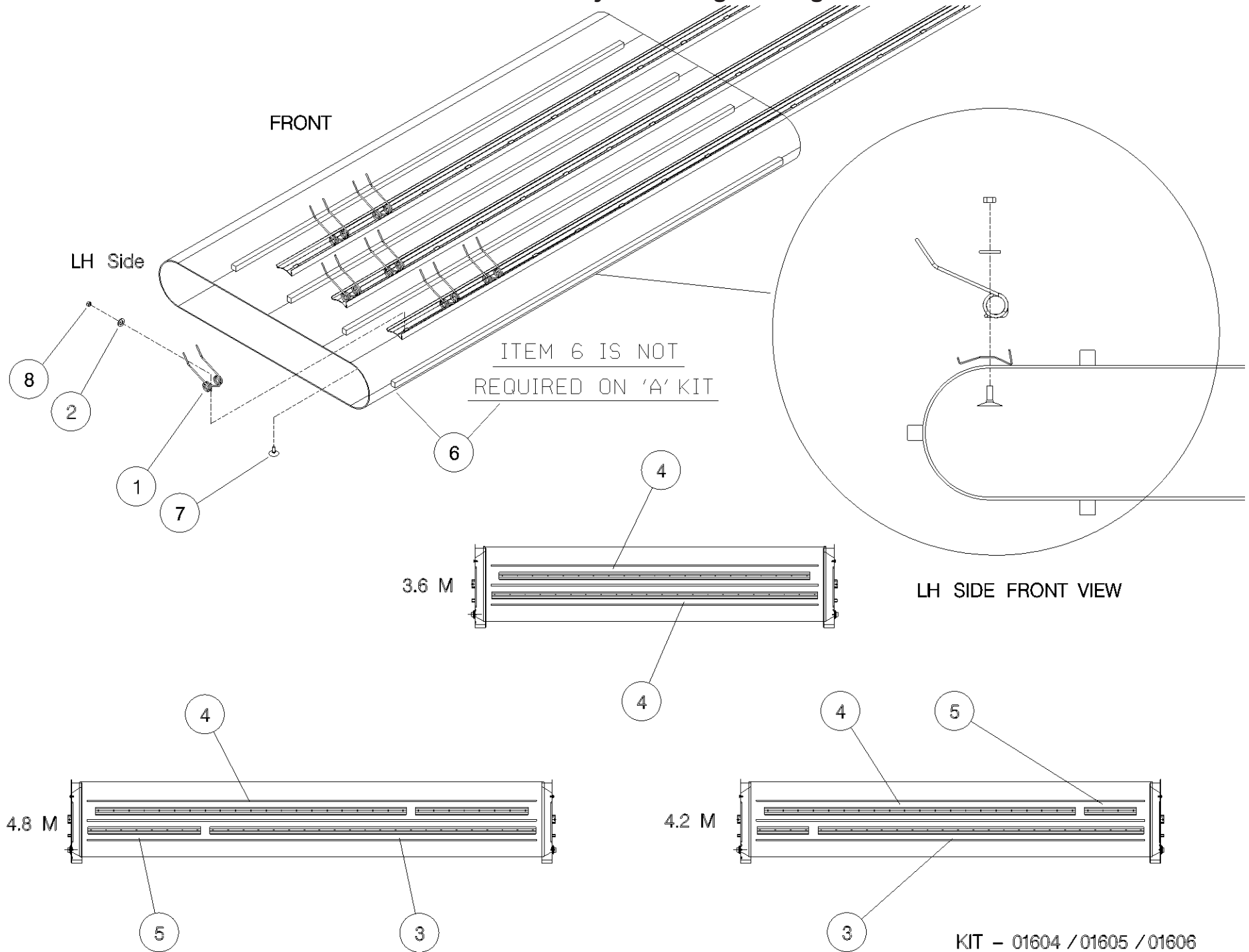
# Shelbourne Reynolds Engineering Limited



KIT-00124

## Shelbourne Reynolds Engineering Limited

ASSY NUMBER: KIT-01605				ASSY DESCRIPTION: DRAPER METAL TINE/SLAT KIT (4.2M)			
ITEM	PART NO	DESCRIPTION	QTY	ITEM	PART NO	DESCRIPTION	QTY
1	108311	TINE	204				
2	WSH-5005	CUP WASHER	204				
3	200496 01	BOLT ON SLAT	4				
4	200496 02	BOLT ON SLAT	4				
5	200496 04	BOLT ON SLAT EXT	8				
NOTE SPARES KIT. NO BELT/BOLTS OR NUTS							



## Shelbourne Reynolds Engineering Limited

ASSY NUMBER: KIT-01606				ASSY DESCRIPTION: DRAPER METAL TINE/SLAT KIT (4.8M)			
ITEM	PART NO	DESCRIPTION	QTY	ITEM	PART NO	DESCRIPTION	QTY
1	108311	TINE	236				
2	WSH-5005	CUP WASHER	236				
3	200496 01	BOLT ON SLAT	4				
4	200496 02	BOLT ON SLAT	4				
5	200496 04	BOLT ON SLAT EXT	8				
NOTE SPARES KIT. NO BELT/BOLTS OR NUTS							

