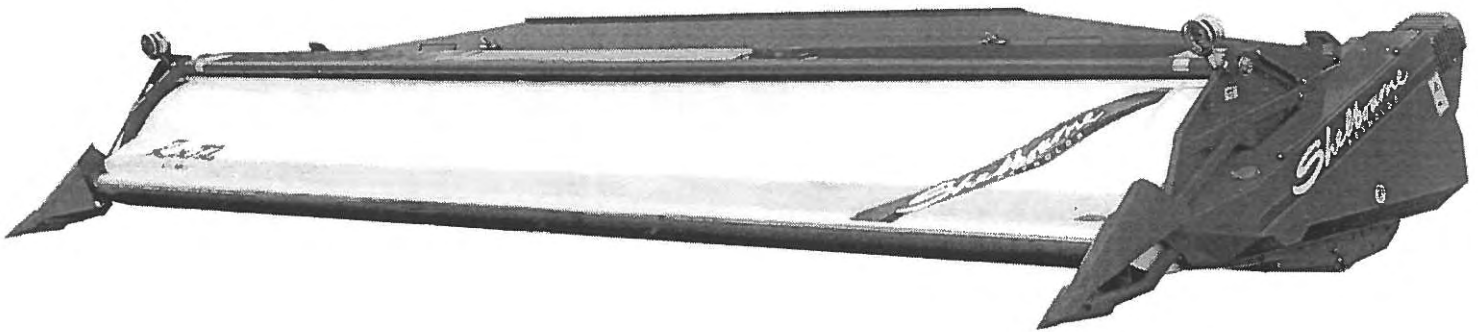


CX72 Shelbourne Header

PARTS MANUAL



Shelbourne
REYNOLDS

Shelbourne Reynolds Engineering Ltd
Stanton
Bury St Edmunds
Suffolk IP31 2AR
England

Telephone: 01359 250415
Fax. No: 01359 250464

(Stores direct 01359 251231)
(Stores direct 01359 252031)



INVESTOR IN PEOPLE

ISSUE..1
10.7.2000

SHELBOURNE HEADER PARTS MANUAL

Your *Shelbourne* Header is designed to fit many different types of combine.

For this reason the machine number index is broken down into sections for identification. Your serial and machine numbers are listed below:

SHELBOURNE HEADER SERIAL NUMBER _____

SHELBOURNE HEADER MACHINE NUMBER _____

ADAPTOR PLATE ASSEMBLY _____

DRIVE KIT _____

HYDRAULIC FITTING KIT _____

OTHER KIT OPTIONS _____

This manual contains all parts common to the *Shelbourne* Header and is used in conjunction with the combine fittings manual, which contains the adaptor plate, and drive kit parts and fitting, and any other options available.

MACHINE IDENTIFICATION

The *Shelbourne* Header machine identification number is engraved on a plate on the top right hand corner of the header.

The adaptor plate has a plate on the top right hand corner also with the adaptor plate assembly number engraved on it.

The drive kit can be identified by description, and use of the drive kit identification number marked above.

ORDERING SPARE PARTS

To ensure that you order the correct part from your SRE dealer please use the following procedure.

ALWAYS QUOTE THE MACHINE AND SERIAL NUMBERS WHEN ORDERING.

Refer to the front of this parts list book (machine assemblies), decide if the part you want is on:

Shelbourne Head
Adaptor Kit
Drive Kit

If your part is on the Adaptor Kit, identify by matching the part number from the adaptor plate with that in the top left hand corner of the parts lists. You will find the appropriate drawing accompanying the parts list.

If the part you require is on the drive kit, ensure that you have the parts listing for the correct combine model and width. Then progress through to the next drawing following that list, for indication of that part.

If the part you require is on the *Shelbourne* Head assembly, identify the appropriate assembly by matching the part number from the *Shelbourne* Head with the page with the same number marked on the top left hand side.

Use the following sub assembly numbers and descriptions to find the area of the machine that your part is required, i.e. you need a part which is fitted to the auger, your part will be in the auger assembly parts list.

Having decided which sub-assembly your part should be under, use the number beside that sub-assembly description which will begin with 1960-- -- to find the parts listing of the sub-assembly further on in the manual. The number will be printed in the top left hand corner, the sub-assemblies are in numerical order.

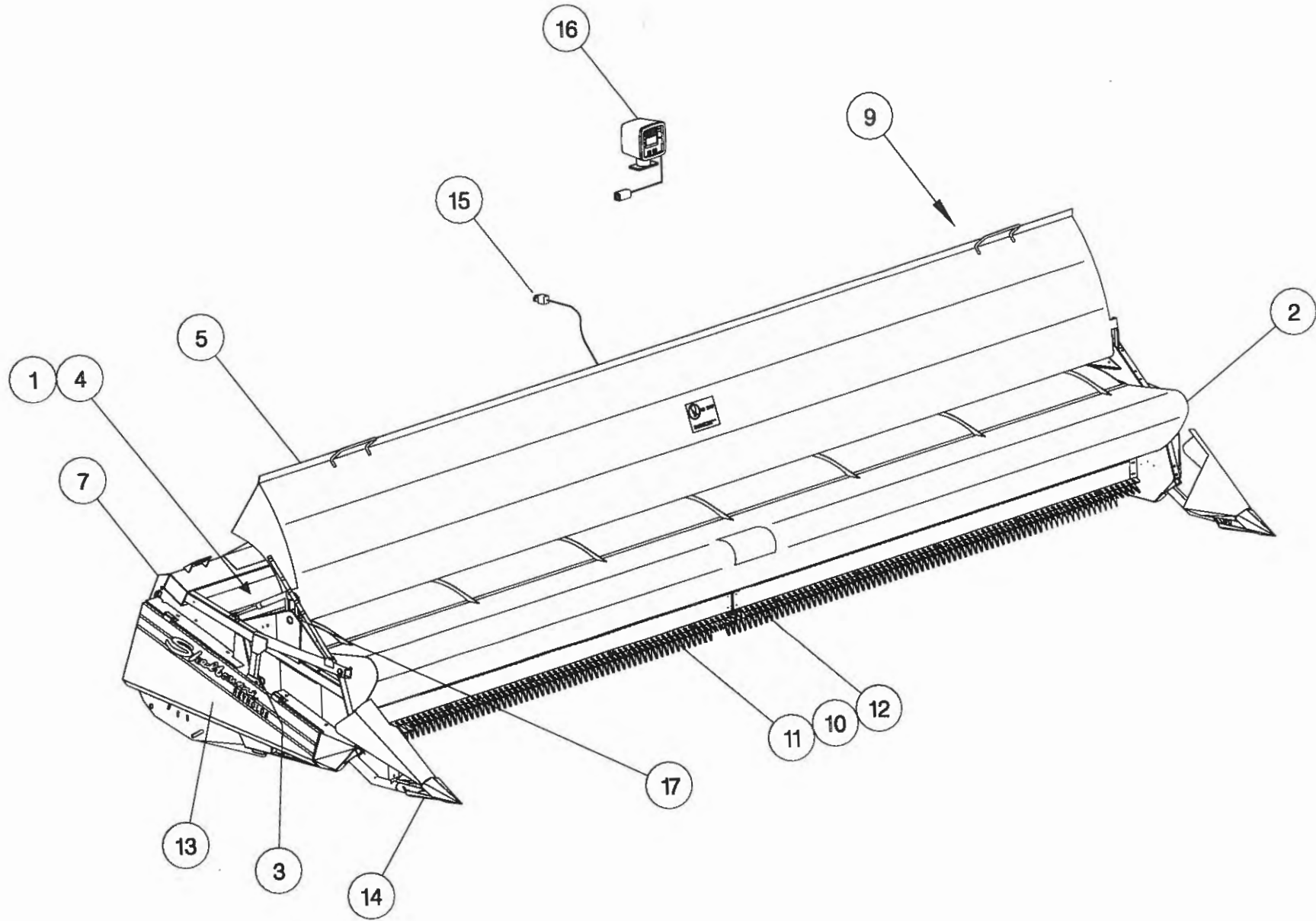
Having found the correct parts list, you will find the corresponding drawing by processing through the manual to the next drawing.

The drawings indicate the components by item numbers which you will find are repeated in the left hand side of your parts listing, and therefore referring to the correct part.

If the item within the sub-assembly is a further collection of parts (i.e. a KIT within a sub assembly) then the parts listing for this will be found just after the 1960-- -- sub-assemblies. These smaller assemblies will be in alphabetical and numerical order.

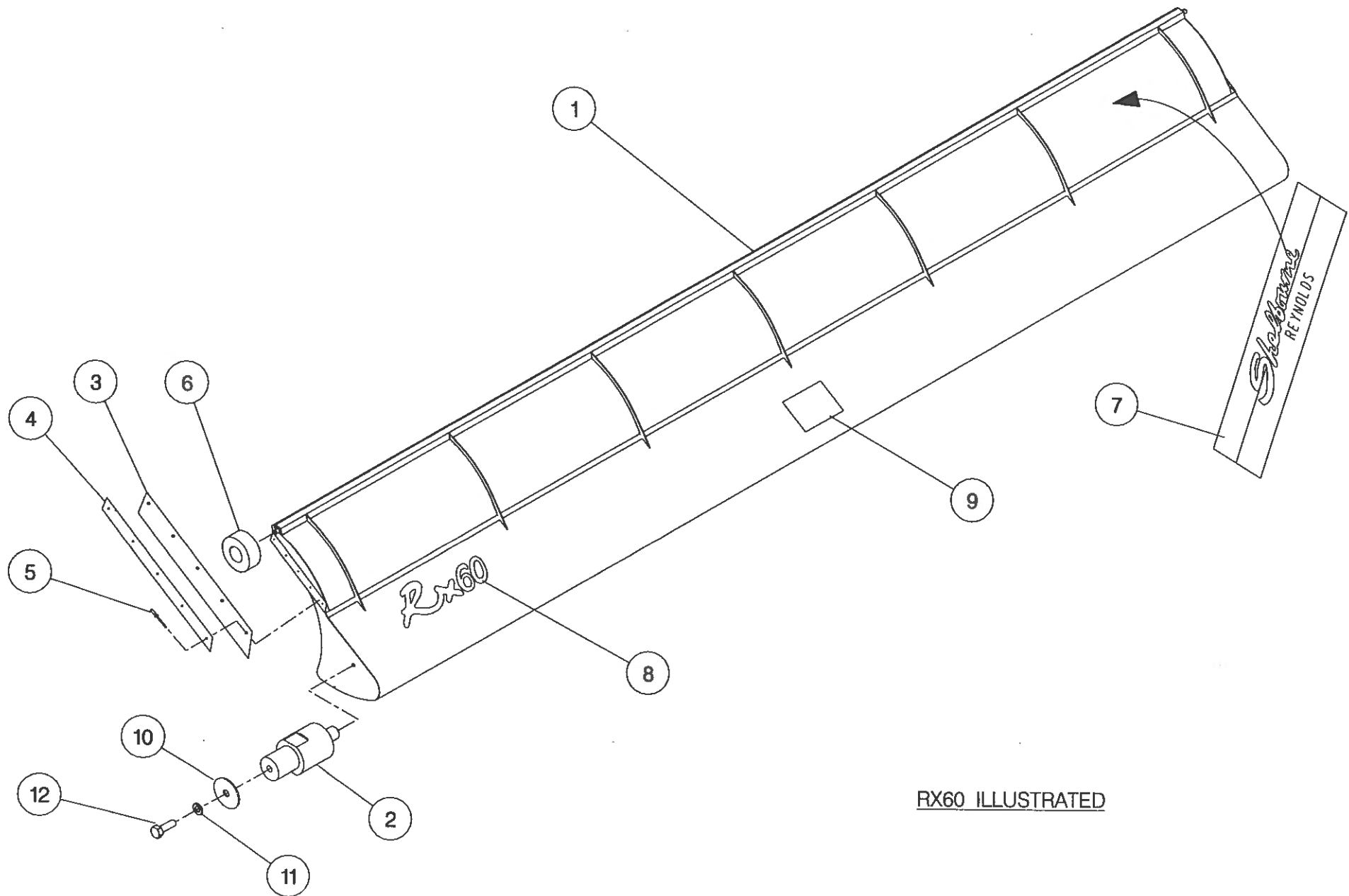
Shelbourne Reynolds Engineering Limited

ASSY NUMBER:		196552 12		ASSY DESCRIPTION: CX72 SHELBOURNE HEADER (1998 OFFSET)			
ITEM	PART NO	DESCRIPTION	QTY	ITEM	PART NO	DESCRIPTION	QTY
1	196102 02	AUGER MTG SUB	1				
2	196053 32	ADJ CROP DEFLECTOR SUB	1				
3	196154 12	HYDRAULICS	1				
4	196153 12	AUGER ASSY	1				
5	196116 12	HOOD SUB ASSY	1				
6							
7	196182 12	FRAME & PARTS	1				
8							
9	196181 01	ROTOR/AUGER DRIVE SUB	1				
10	196185 01	ROTOR MTG SUB	1				
11	196097 14	STRIPPING ROTOR R/H ASSY	1				
12	196097 15	STRIPPING ROTOR L/H ASSY	1				
13	196183 02	EMBLEMS AND GUARDS	1				
14	196147 01	DIVIDER SUB	1				
OR	196078 01	TORPEDO DIVIDER SUB	1				
15	RDS-0005	HEADER MONITORING KIT	1				
16	RDS-0001	COMBINE MONITOR KIT	1				
17	196143 32	HEADER LIGHTS SUB (USA ONLY)	1				



Shelbourne Reynolds Engineering Limited

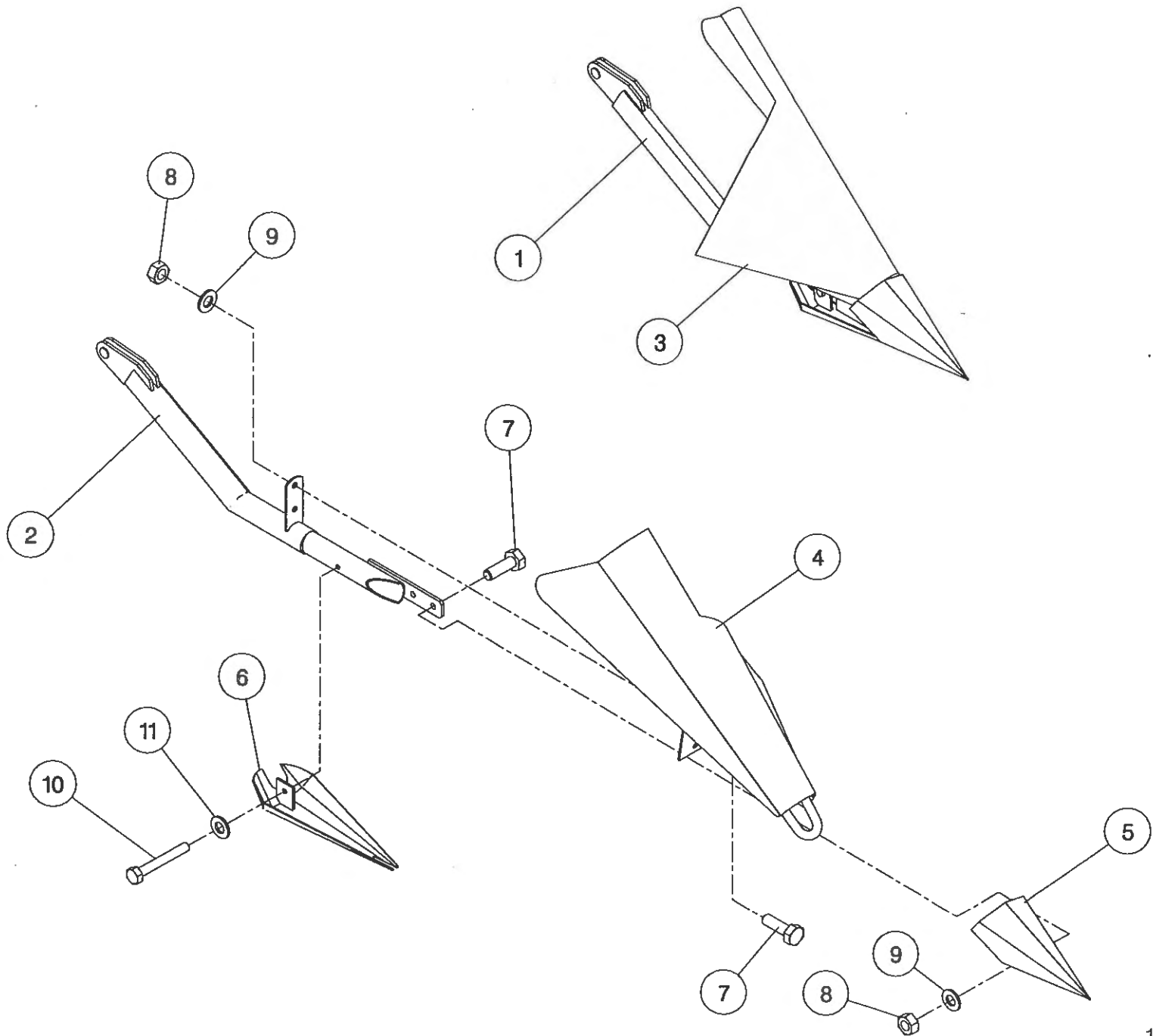
ASSY NUMBER:		196053 32		ASSY DESCRIPTION:		ADJ.CROP DEFLECTOR SUB ASSY (CX72)	
ITEM	PART NO	DESCRIPTION	QTY	ITEM	PART NO	DESCRIPTION	QTY
1	192686 01	ADJ.CROP DEFLECTOR (7.2M)	1				
2	190361 01	PIVOT BUSH	2				
3	192037 01	RUBBER SEAL	2				
4	192038 01	CLAMP STRIP	2				
5	POP-0006	POP RIVET	10				
6	191642 01	ROLLER	2				
7	191981 01	EMBLEM (SHEL.REYNOLDS)	1				
8	192735 08	EMBLEM (CX72)	1				
9	192718 01	TRANSFER (NO STEP)	1				
10	190119 05	PLAIN WASHER	2				
11	WSH-0058	WASHER	2				
12	HSS-0140	SETSCREW	2				



RX60 ILLUSTRATED

Shelbourne Reynolds Engineering Limited

ASSY NUMBER: 196078 01		ASSY DESCRIPTION: TORPEDO DIVIDERS FOR RX & CX MACHINES					
ITEM	PART NO	DESCRIPTION	QTY	ITEM	PART NO	DESCRIPTION	QTY
1	192533 01	DIVIDER ARM LH	1				
2	192533 02	DIVIDER ARM RH	1				
3	192537 01	DIVIDING PLATE LH	1				
4	192537 02	DIVIDING PLATE RH	1				
5	191770 01	NOSE CONE	2				
6	191862 01	SHOE	2				
7	HSS-0191	SETSCREW	8				
8	NUT-0265	NUT	8				
9	WSH-0015	WASHER	8				
10	HSS-0155	BOLT	2				
11	WSH-0058	WASHER	2				



Shelbourne Reynolds Engineering Limited

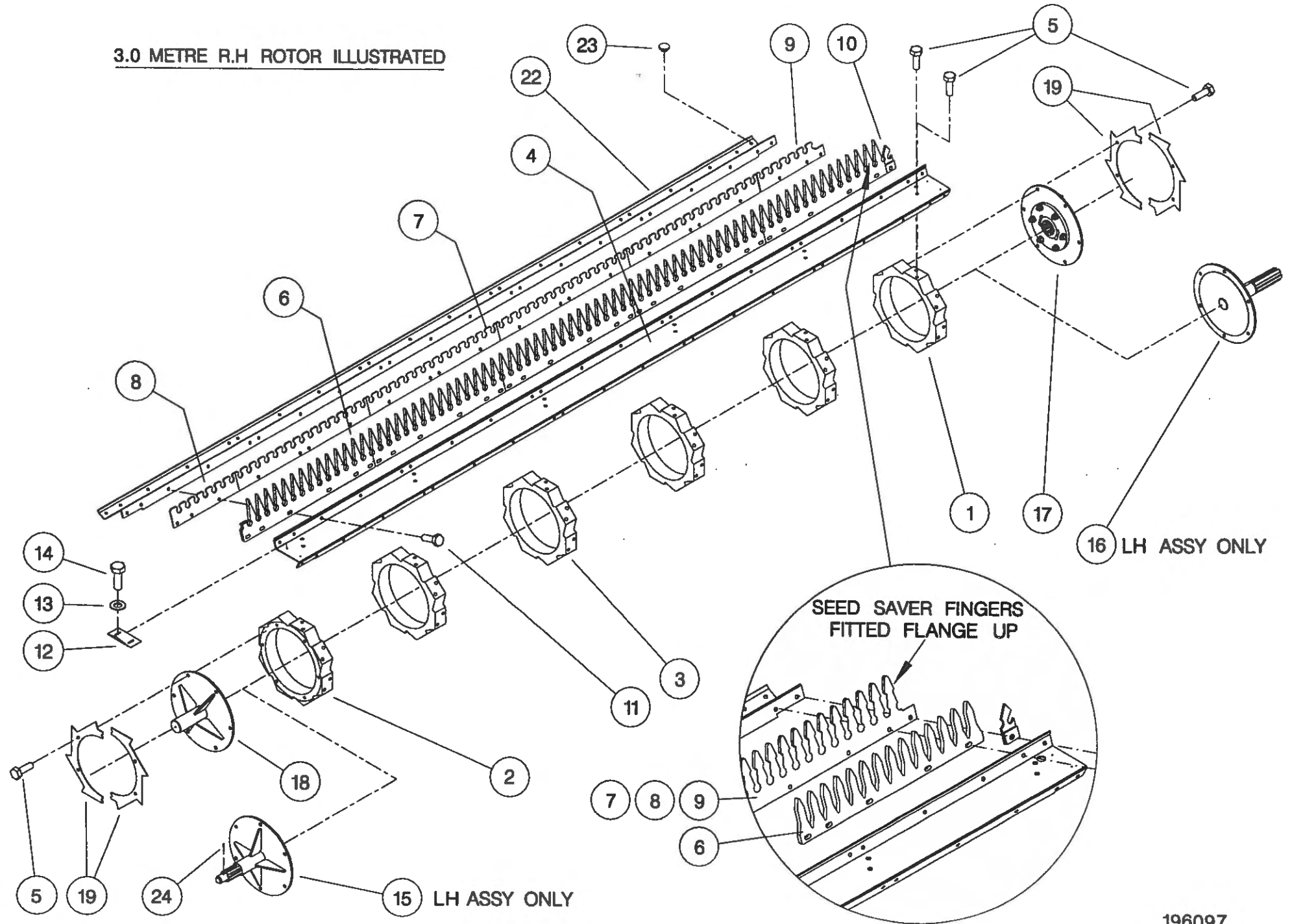
ASSY NUMBER:		196097 14		ASSY DESCRIPTION: STRIPPING ROTOR ASSY (R/H) 3.6m			
ITEM	PART NO	DESCRIPTION	QTY	ITEM	PART NO	DESCRIPTION	QTY
1	192892 01	OUTER HUB CASTING L.H.	1				
2	192892 02	OUTER HUB CASTING R.H.	1				
3	192892 03	INNER HUB CASTING	5				
4	192890 03	ROTOR SECTION 3.6M	7				
5	HSSG10204	SET SCREW	124				
6	191968 02	ELITE ELEMENT	48				
OR	193087 01	ELITE ELEMENT (SLOTTED)	48				
OR	193558 01	STANDARD ELEMENT (SEED SAVE)	48				
7	192291 01	ANTI WEAR STRIP CTR.	40				
OR	192291 07	S-TYPE STRIP CTR	40				
OR	193780 01	SEED SAVER FINGER CTR.	40				
8	192291 02	ANTI WEAR STRIP END	8				
OR	192291 08	S-TYPE STRIP END	8				
OR	193782 02	SEED SAVER FINGER RH END	8				
9	192291 03	ANTI WEAR STRIP CTR END	8				
OR	192291 09	S-TYPE STRIP CTR END	8				
OR	193781 01	SEED SAVER RH CTR END	8				
10	191865 02	CENTRE FINGER RH (RICE)	8				
OR	194109 02	CENTRE FINGER RH (CEREALS)	8				
11	HSSF08174	SET SCREW	208				
12	192679 01	ANTI WRAP PLATE	8				
13	WSH-1034	PENNY WASHER	16				
14	SCW-5180	SELF TAP. SCREW	16				
15							
16							
17	KIT-00976	BALL COUPLING KIT	1				
18	192899 01	IDLE SHAFT W/ASSY	1				
19	192959 01	OUTER CLAMP RING (HALF)	4				
20							
21							
22	193117 03	ROTOR SECTION 3.6M (HOLE)	1				
23	BPG-00200	BODY PLUG	1				

Shelbourne Reynolds Engineering Limited

ASSY NUMBER:		196097 15		ASSY DESCRIPTION: STRIPPING ROTOR ASSY (L/H) 3.6m			
ITEM	PART NO	DESCRIPTION	QTY	ITEM	PART NO	DESCRIPTION	QTY
1	192892 01	OUTER HUB CASTING L.H.	1				
2	192892 02	OUTER HUB CASTING R.H.	1				
3	192892 03	INNER HUB CASTING	5				
4	192890 03	ROTOR SECTION 3.6M	8				
5	HSSG10204	SET SCREW	124				
6	191968 02	ELITE ELEMENT	48				
OR	193087 01	ELITE ELEMENT (SLOTTED)	48				
OR	193558 01	STANDARD ELEMENT (SEED SAVE)	48				
7	192291 01	ANTI WEAR STRIP CTR.	40				
OR	192291 07	S-TYPE STRIP CTR	40				
OR	193780 01	SEED SAVER FINGER CTR.	40				
8	192291 02	ANTI WEAR STRIP END	8				
OR	192291 08	S-TYPE STRIP END	8				
OR	193782 01	SEED SAVER FINGER LH END	8				
9	192291 03	ANTI WEAR STRIP CTR END	8				
OR	192291 09	S-TYPE STRIP CTR END	8				
OR	193781 02	SEED SAVER LH CTR END	8				
10	191865 01	CENTRE FINGER LH (RICE)	8				
OR	194109 01	CENTRE FINGER LH (CEREALS)	8				
11	HSSF08174	SET SCREW	208				
12	192679 01	ANTI WRAP PLATE	8				
13	WSH-1034	PENNY WASHER	16				
14	SCW-5180	SELF TAP. SCREW	16				
15	193103 01	CENTRE SHAFT W/ASSY	1				
16	192897 01	DRIVE SHAFT W/ASSY	1				
17							
18							
19	192959 01	OUTER CLAMP RING (HALF)	4				
20							
21							
22							
23							
24	PIN-1779	ROLL PIN	1				

12

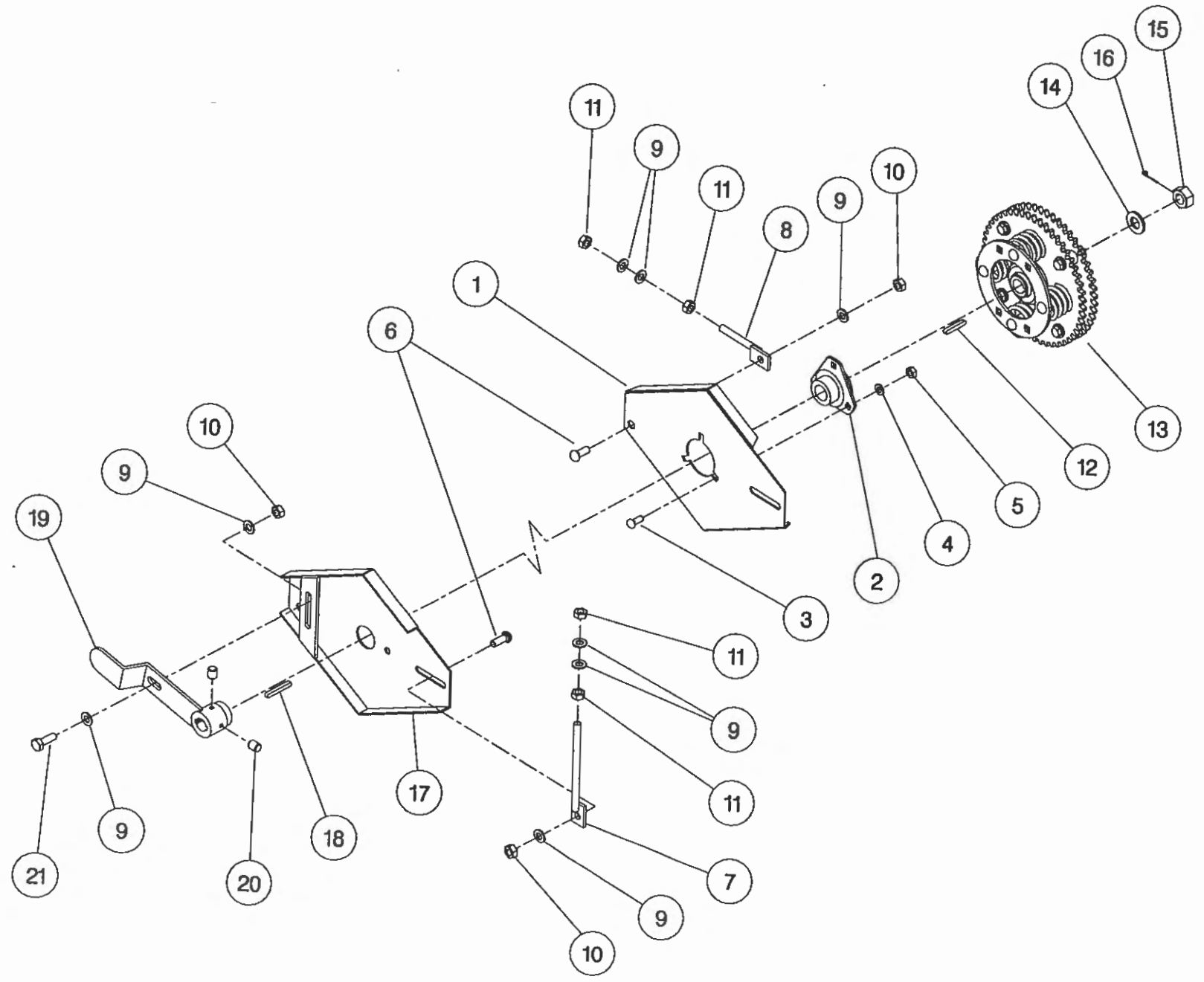
3.0 METRE R.H ROTOR ILLUSTRATED



13

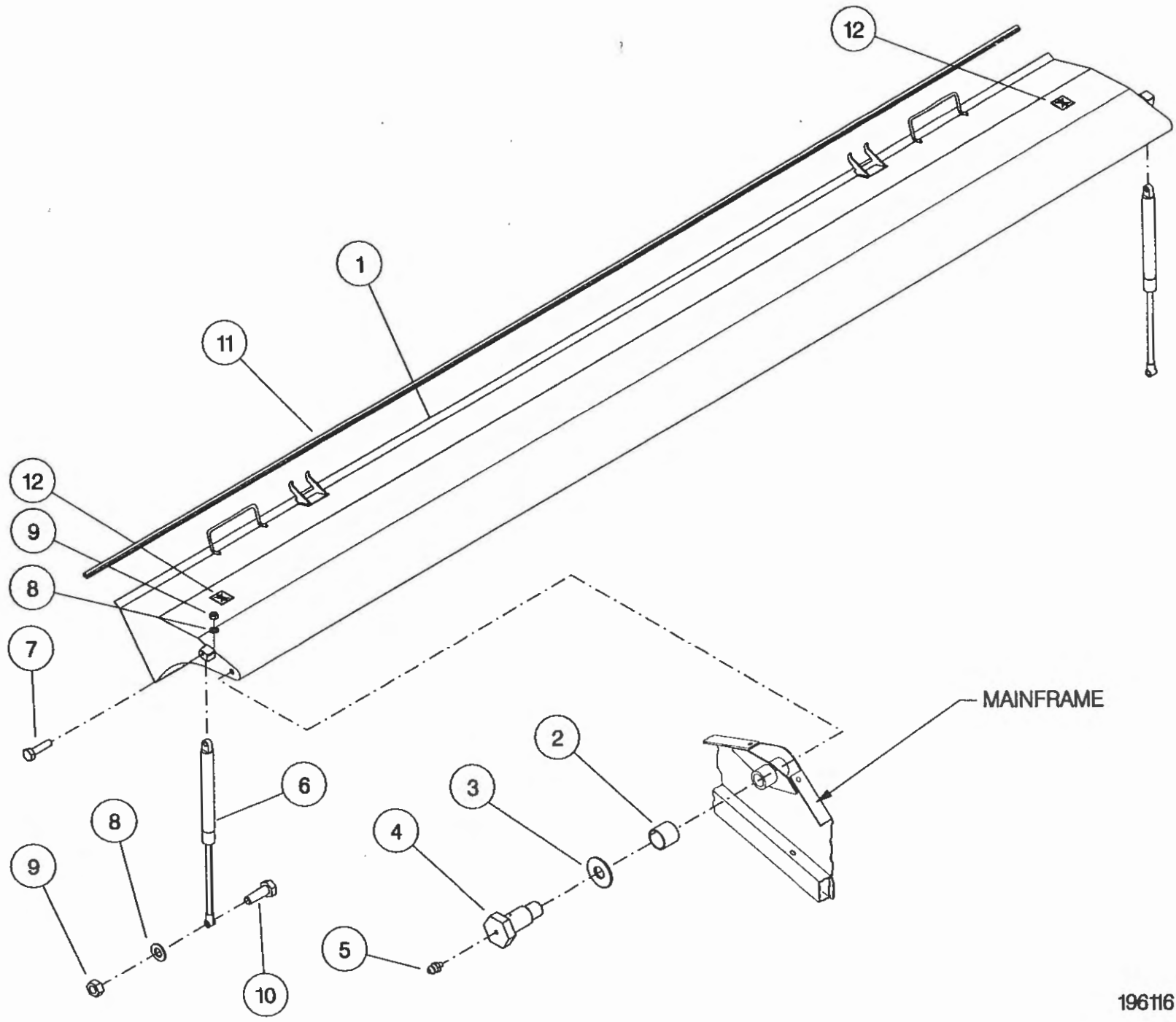
Shelbourne Reynolds Engineering Limited

ASSY NUMBER:		196102 02		ASSY DESCRIPTION: AUGER MOUNTING/DRIVE KIT (CX) 1996			
ITEM	PART NO	DESCRIPTION	QTY	ITEM	PART NO	DESCRIPTION	QTY
1	200035 03	SUPPORT PLATE L.H.	1				
2	BRG-0240	BEARING	1				
3	BLT-3745	COACH BOLT	3				
4	WSH-0015	PLAIN WASHER	3				
5	NUT-0265	NYLOC NUT	3				
6	BLT-3790	COACH BOLT	4				
7	192636 06	VERTICAL ADJUSTER	2				
8	192636 01	HORIZONTAL ADJUSTER	2				
9	WSH-0018	PLAIN WASHER	14				
10	NUT-0269	NYLOC NUT	5				
11	NUT-0170	PLAIN NUT	8				
12	K0807050	KEY	1				
13	KIT-00109	AUGER SLIP CLUTCH (SEE PARTS LIST KIT-00109)	1				
14	WSH-0030	PLAIN WASHER	1				
15	NUT-0580	CASTLE NUT	1				
16	PIN-1150	SPLIT PIN	1				
17	200038 01	SUPPORT PLATE R.H.	1				
18	K0807060	KEY	1				
19	200120 03	ADJUSTER ASSY	1				
20	SCW-4535	GRUB SCREW	2				
21	HSS-0241	SET SCREW	1				



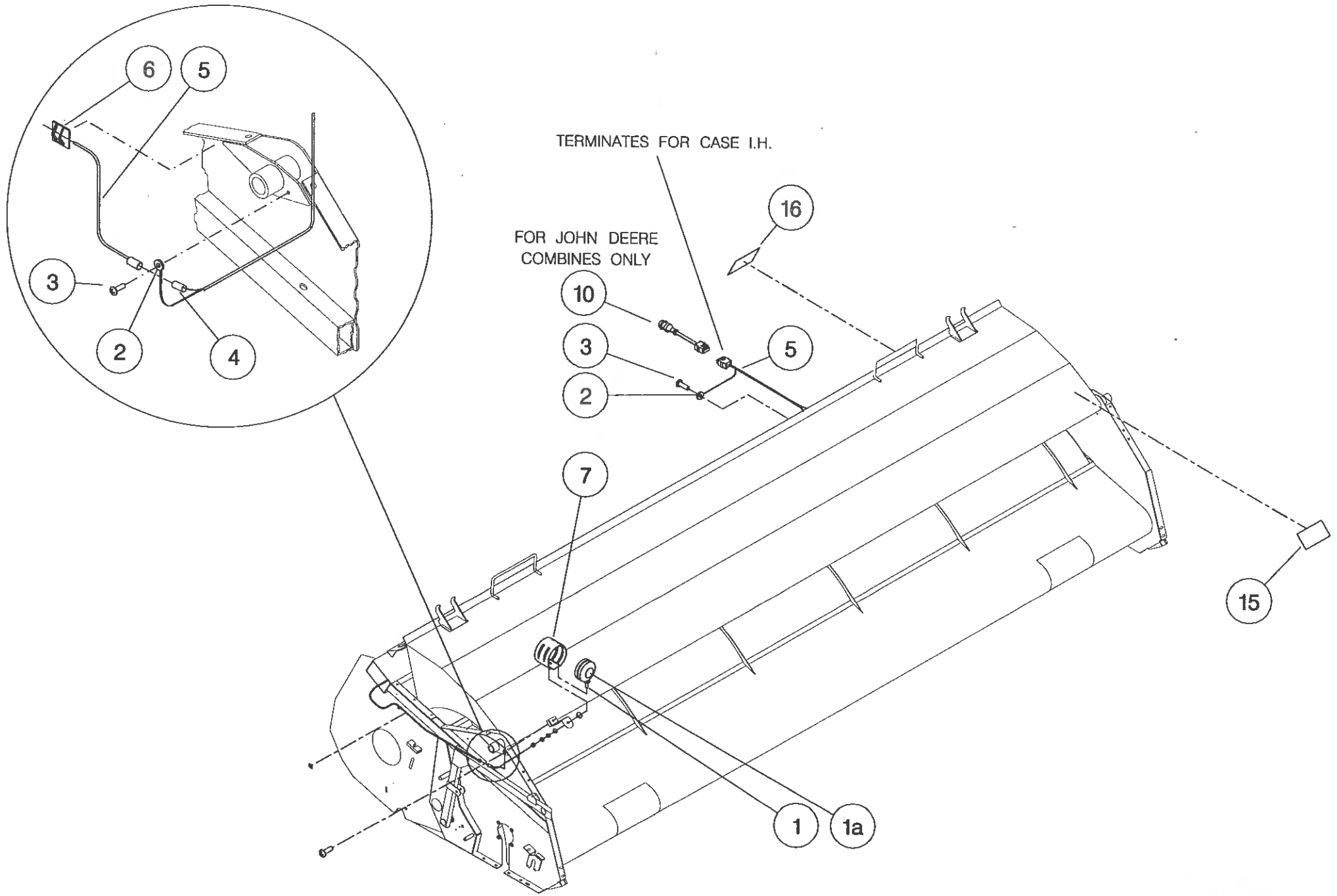
Shelbourne Reynolds Engineering Limited

ASSY NUMBER:		196116 12		ASSY DESCRIPTION: TOP DOOR COWL ASSY (CX72) 1997			
ITEM	PART NO	DESCRIPTION	QTY	ITEM	PART NO	DESCRIPTION	QTY
1	193255 01	COWL ASSY (CX72)	1				
2	BSH-3030	BUSH	2				
3	192813 01	LARGE WASHER	2				
4	192812 01	COWL PIN	2				
5	NIP-0001	GREASE ZERK	2				
6	GSTA14406	GAS STRUTT	2				
7	BLTA10410	BOLT	2				
8	WSH-0015	WASHER	4				
9	NUT-0265	NUT	4				
10	BLTA10290	BOLT	2				
11	EDS-11600	SEAL STRIP	7.2m				
12	192718 01	TRANSFER (NO STEP)	2				



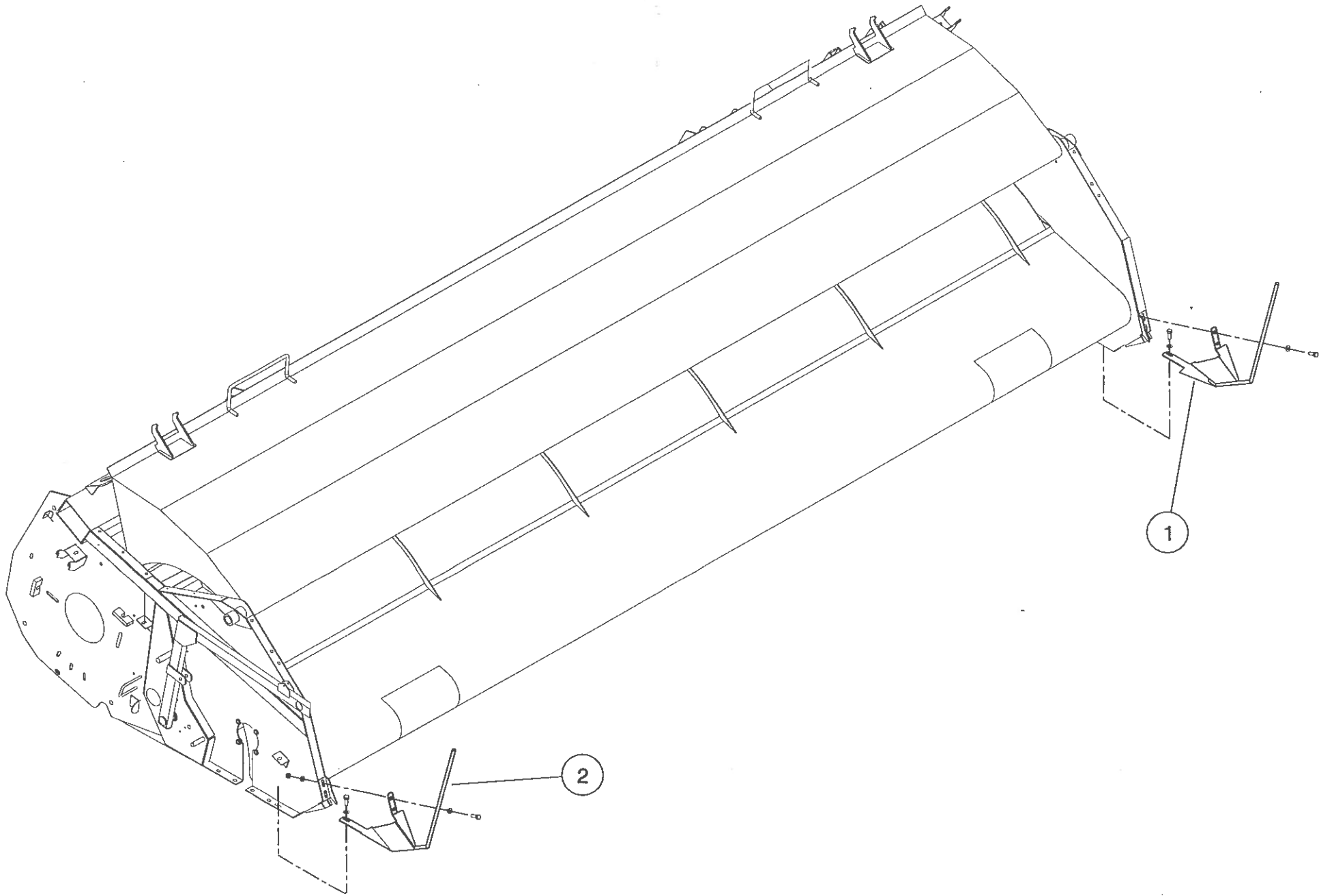
Shelbourne Reynolds Engineering Limited

ASSY NUMBER:		196143 32		ASSY DESCRIPTION: HEADER LIGHTS SUB 7.2M (OFFSET)			
ITEM	PART NO	DESCRIPTION	QTY	ITEM	PART NO	DESCRIPTION	QTY
1	LMP-10501	INDICATOR LIGHT ASSY	2				
1a	BLB-0075	BULB	2				
2	ETM-00440	LOOP TERMINAL	2				
3	SCW-5180	SELF TAP SCREW	3				
4	ETM-00560	MALE BULLET TERM.	2				
5	193513 11	WIRE LOOM & PLUG ASSY	1				
6	CFC-00500	FIXING CLIP	6				
7	193567 01	INDICATOR GUARD	2				
8							
9							
10	193516 01	LOOM & PLUG ASSY (JD ONLY)	1				
11							
12							
13							
14							
15	TPE-00250	REFLECTIVE TAPE - AMBER	0.1				
15	TPE-00250	REFLECTIVE TAPE - AMBER	0.1				
16	TPE-00251	REFLECTIVE TAPE - RED	0.1				
16	TPE-00251	REFLECTIVE TAPE - RED	0.1				



Shelbourne Reynolds Engineering Limited

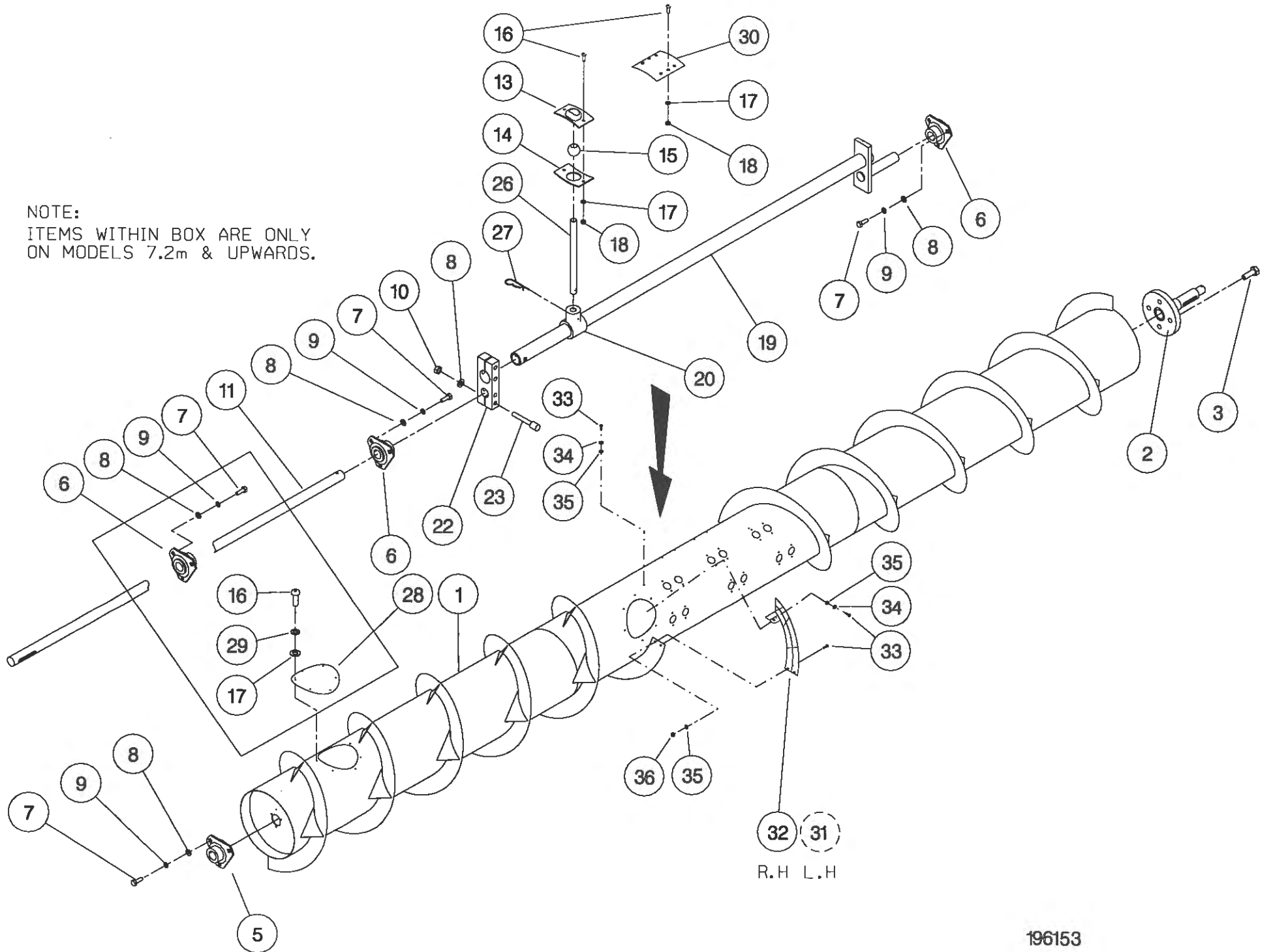
ASSY NUMBER: 196147 01		ASSY DESCRIPTION: FIXED DIVIDER SUB (CX 1998)					
ITEM	PART NO	DESCRIPTION	QTY	ITEM	PART NO	DESCRIPTION	QTY
1	193523 01	FIXED DIVIDER LH	1				
2	193523 02	FIXED DIVIDER RH	1				



Shelbourne Reynolds Engineering Limited

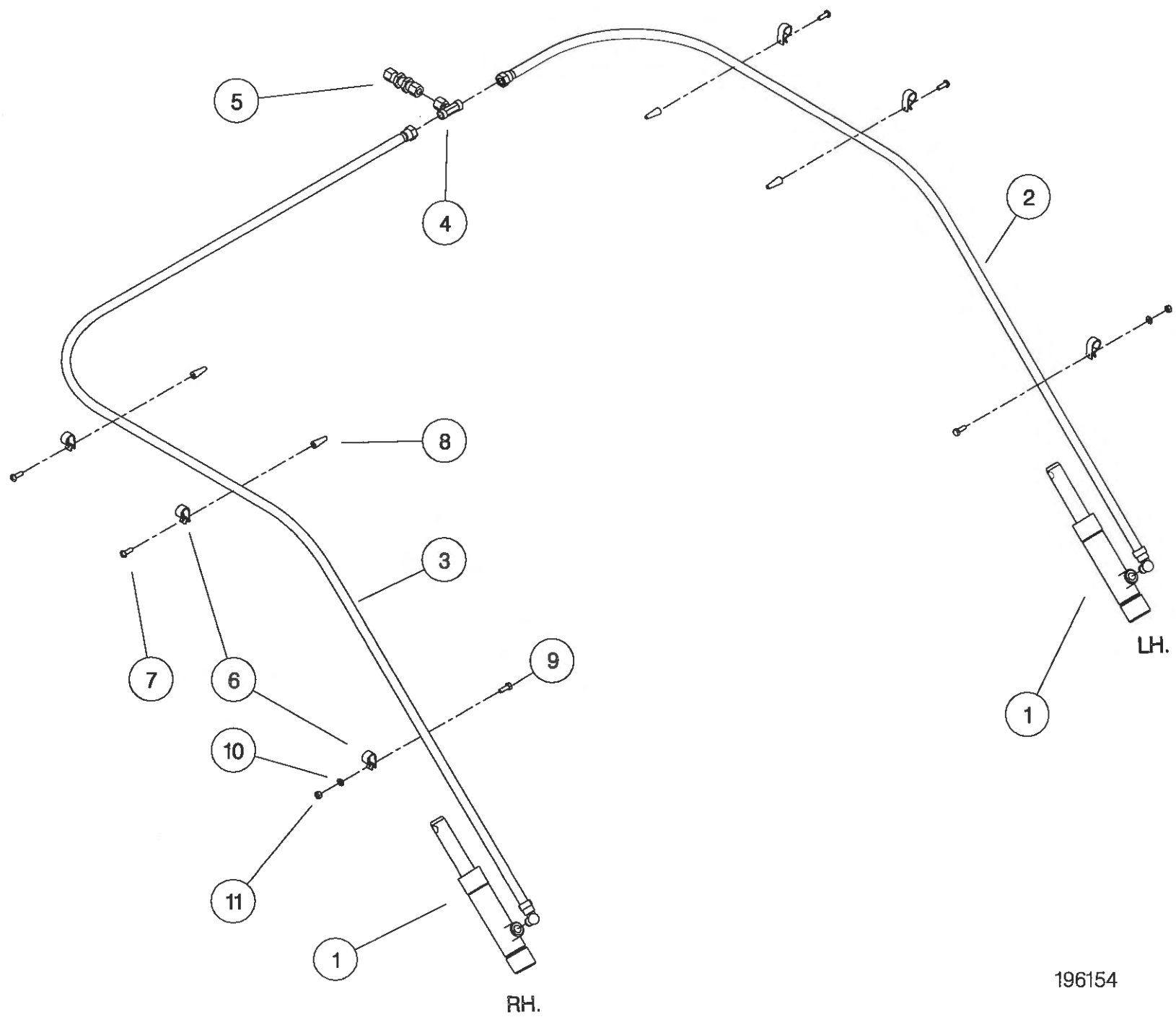
ASSY NUMBER:		196153 12		ASSY DESCRIPTION: AUGER ASSY 7.2M (1999 OFFSET)			
ITEM	PART NO	DESCRIPTION	QTY	ITEM	PART NO	DESCRIPTION	QTY
1	193445 01	AUGER W.ASSY.	1	27	AUG-03000	HAIRPIN COTTER	
2	192011 01	AUGER DRIVE SHAFT	1			(16 FINGERS OPTION)	16
3	HSSF12204	SET SCREW	4	OR		(20 FINGERS OPTION)	20
4				OR		(24 FINGERS OPTION)	24
5	BRG-2020	BEARING	1	28	193203 01	COVER PLATE	3
6	BRG-0240	BEARING	3	29	WSH-0056	SPRING WASHER	18
7	HSS-0191	SET SCREW	12	30	190735 01	BLANKING PLATE	
8	WSH-0015	PLAIN WASHER	16			(16 FINGERS OPTION)	8
9	WSH-0061	SPRING WASHER	12	OR		(20 FINGERS OPTION)	4
10	NUT-0265	NYLOC NUT	4	OR		(24 FINGERS OPTION)	0
11	192363 08	AUGER SHAFT	1	31	192227 01	AUGER FLIGHT EXTENSION LH	1
12				32	192227 02	AUGER FLIGHT EXTENSION RH	1
13	AUG-01000	UPPER FINGER PL. (CONCAVE)		33	SCBA08172	BUT. SCKT HD SCREW	8
		(16 FINGERS OPTION)	16	34	WSH-0058	WASHER	4
OR		(20 FINGERS OPTION)	20	35	WSH-0012	WASHER	8
OR		(24 FINGERS OPTION)	24	36	NUT-0263	NUT	4
14	AUG-01500	LOWER FINGER PL. (CONVEX)					
		(16 FINGERS OPTION)	16				
OR		(20 FINGERS OPTION)	20				
OR		(24 FINGERS OPTION)	24				
15	AUG-02000	FINGER GUIDE (BALL)					
		(16 FINGERS OPTION)	16				
OR		(20 FINGERS OPTION)	20				
OR		(24 FINGERS OPTION)	24				
16	SCW-4960	BUTT.HD.SKT.SCREW	48				
17	WSH-0009	PLAIN WASHER	66				
18	NUT-0260	NYLOC NUT	48				
19	192368 01	AUGER CRANK	1				
20	AUG-02500	FINGER HOLDER	24				
21	SCW-4959	BUTT.HD.SKT.SCREW	18				
22	192364 01	AUGER CLAMP	1				
23	SCCA10412	CAP HD SKT SCREW	4				
24							
25							
26	192310 01	FINGER					
		(16 FINGERS OPTION)	16				
OR		(20 FINGERS OPTION)	20				
OR		(24 FINGERS OPTION)	24				

NOTE:
ITEMS WITHIN BOX ARE ONLY
ON MODELS 7.2m & UPWARDS.



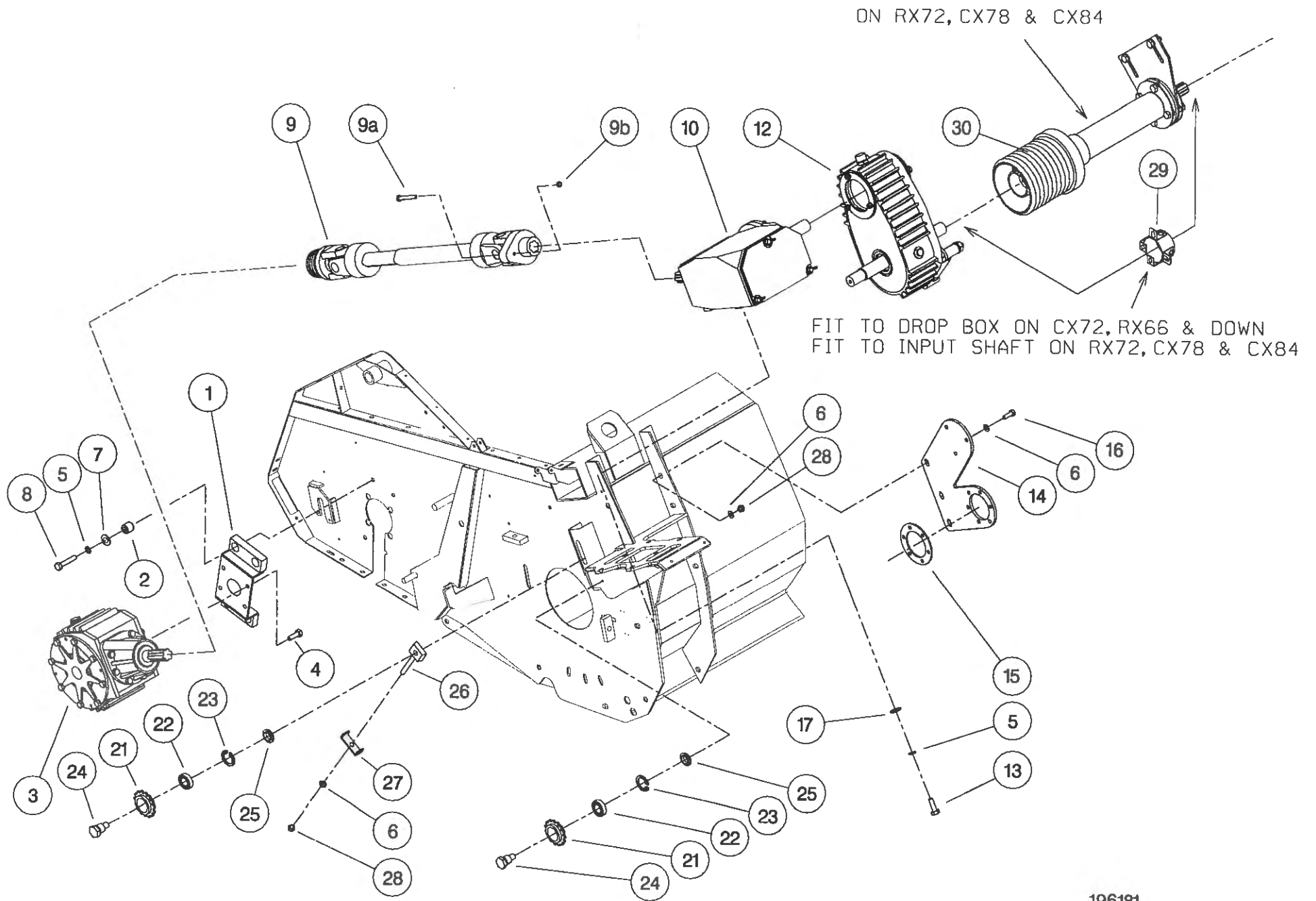
Shelbourne Reynolds Engineering Limited

ASSY NUMBER: 196154 12				ASSY DESCRIPTION: HYDRAULIC CIRCUIT SUB (7.2M OFFSET)			
ITEM	PART NO	DESCRIPTION	QTY	ITEM	PART NO	DESCRIPTION	QTY
1	REF	HYDRAULIC RAM	2				
2	HHBC32410	HYDRAULIC HOSE LH	1				
3	HHBC61810	HYDRAULIC HOSE RH	1				
4	HPPD07100	HYD.TEE FITTING	1				
5	FIT-0213	HYD.BULKHEAD FITT.	1				
6	CLP-01012	P CLIP	6				
7	SCW-5180	SELF TAP SCREW	4				
8	PFS-00500	PANEL FASTENER	4				
9	HSS-0086	SETSCREW	2				
10	WSH-0009	PLAIN WASHER	2				
11	NUT-0260	NYLOC NUT	2				



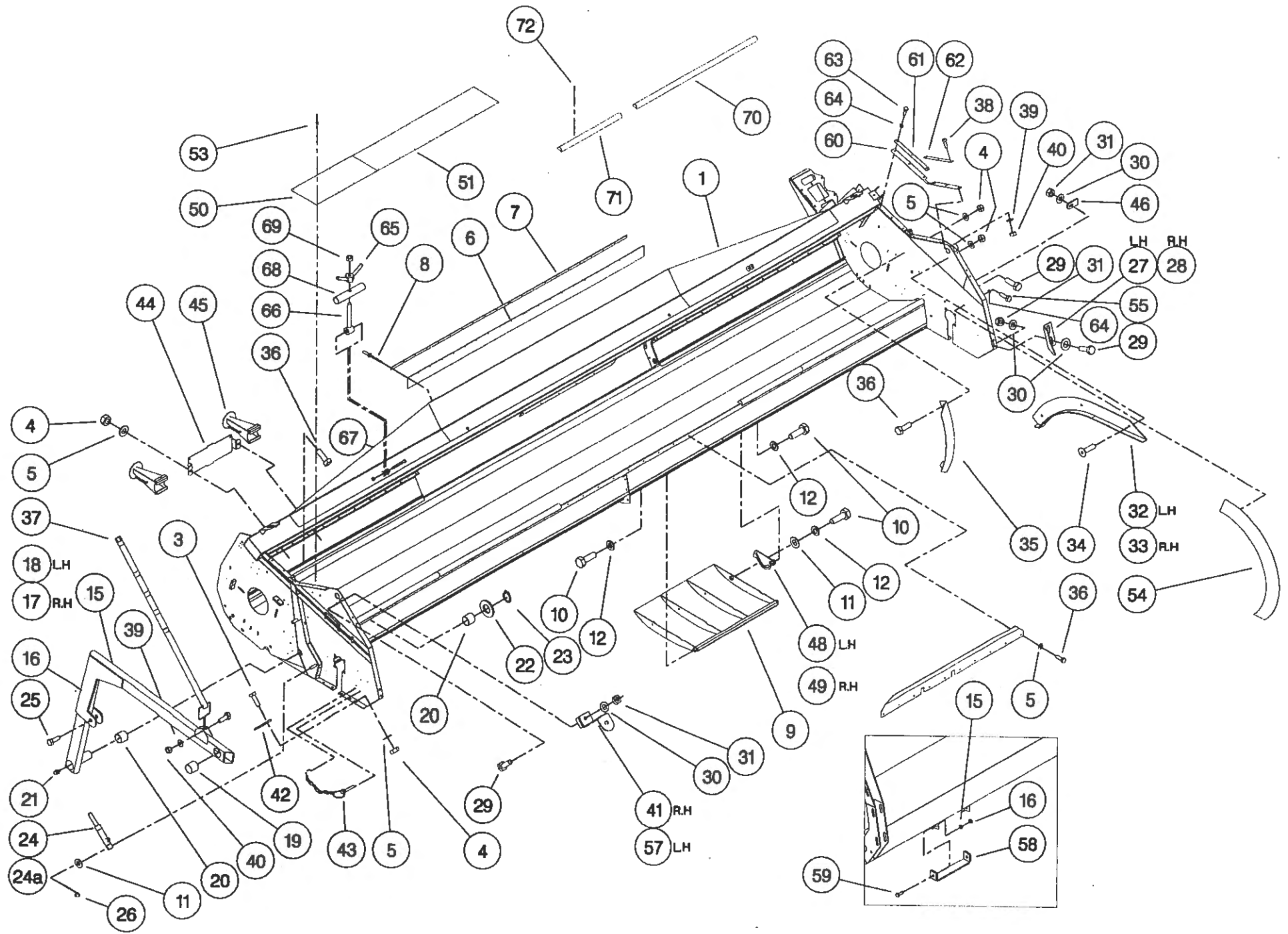
Shelbourne Reynolds Engineering Limited

ASSY NUMBER:		196181 01		ASSY DESCRIPTION: ROTOR/AUGER DRIVE 1999 (5.4-7.2M OFF)			
ITEM	PART NO	DESCRIPTION	QTY	ITEM	PART NO	DESCRIPTION	QTY
1	191652 01	GEARBOX BRACKET	1	29	KIT-00525	PTO GUARD KIT	1
2	BSH-1530	BUSH	4				
3	GEA-0095	BEVEL GEARBOX (SEE PARTS LIST GEA-0095)	1				
4	HSSG12174	SET SCREW	4				
5	WSH-0065	SPRING WASHER	10				
6	WSH-0018	PLAIN WASHER	13				
7	190119 04	PLAIN WASHER	4				
8	BLTA12290	BOLT	4				
9	PTO-09010	POWER SHAFT	1				
9a	BLT-2158	SHEAR BOLT					
9b	NUT-0164	NUT					
10	GEA-0135	FIVE SPEED GEARBOX ASSY (SEE PARTS LIST GEA-0135)	1				
11							
12	GEA-0102	DROPBOX ASSY (SEE PARTS LIST GEA-0102)	1				
13	HSS-0238	SET SCREW	6				
14	194061 01	DROP BOX SUPPORT PLATE	1				
15	194068 01	SPACER PLATE	1				
16	HSS-0241	SET SCREW	3				
17	190119 22	WASHER	6				
18							
19							
20							
21	131041 01	SPROCKET IDLER	2				
22	BRG-1995	BEARING	2				
23	CIR-0470	CIRCLIP	2				
24	190060 06	IDLER SPINDLE	2				
25	191040 01	IDLER SPACER	2				
26	191777 01	IDLER ADJ SCREW	1				
27	191774 01	PLATE	1				
28	NUT-0269	NUT	4				



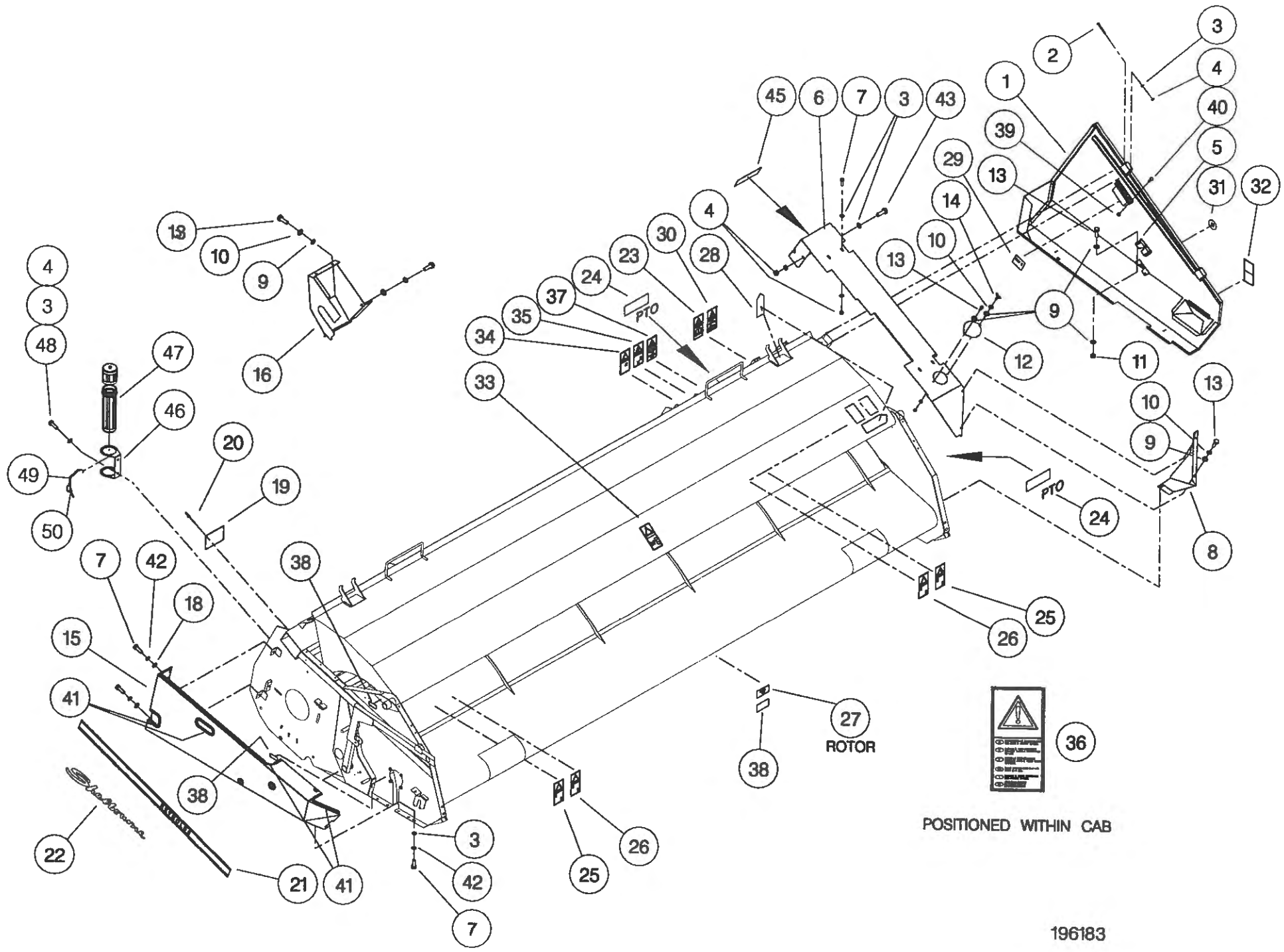
Shelbourne Reynolds Engineering Limited

ASSY NUMBER:		196182 12		ASSY DESCRIPTION: FRAME & PARTS SUB (CX72 OFFSET-2000)			
ITEM	PART NO	DESCRIPTION	QTY	ITEM	PART NO	DESCRIPTION	QTY
1	194081 01	CX72 MAIN FRAME ASSY	1	38	HSS-0092	SETSCREW	1
2				39	WSH-0009	PLAIN WASHER	7
3	BLT-4710	COACH BOLT	2	40	NUT-0260	NYLOC NUT	7
4	NUT-0263	NUT	25	41	193480 01	SUPPORT BRACKET	1
5	WSH-0012	WASHER	35	42	192543 01	CROP DIVIDER ADJ. PLATE	2
6	191340 01	RUBBER SEAL	1	43	PIN-01790	LYNCH PIN & CHAIN	2
7	191339 01	CLAMP STRIP	2	44	193221 01	HEADER STAND BRACKET	1
8	POP-0006	POP RIVET	22	45	193222 01	HEADER FRONT STAND	2
9	193219 01	SKID	4	46	192550 01	NOSE ARM STOP PLATE	1
10	HSS-0316	SET SCREW	24	47	190119 07	WASHER	8
11	WSH-0024	WASHER	10	48	193828 01	SKID ADJUSTER PLATE LH	4
12	WSH-0070	WASHER	24	49	193828 02	SKID ADJUSTER PLATE RH	4
13				50			
14				51	192754 02	SLIP PLATES (PRE 2000)	6
15	NUT-0269	NUT	8	52	193481 01	ANTI-SPILL STRIP (PRE 2000)	1
16	WSH-0018	WASHER	8	53	POP-0007	POP RIVET (PRE 2000)	96
17	191259 02	ADJ COWL SUPPORT ARM R.H	1	54	193363 01	ROTOR DEFLECTOR	2
18	191259 01	ADJ COWL SUPPORT ARM L.H	1	55	HSS-0084	SETSCREW	6
19	BSH-3030	BUSH	2	56			
20	BSH-3070	BUSH	4	57	193480 02	SUPPORT BRACKET LH	1
21	NIP-0001	GREASE ZERK	2	58	193214 01	STRAP	2
22	WSH-1547	WASHER	2	59	HSS-0238	SETCREW	4
23	CIR-1150	CIRCLIP	2	60	193235 01	RUBBER SEAL	2
24	193506 01	HYDRAULIC RAM	2	61	193232 01	SEAL CLAMP	2
24a	RMSK00010	SEAL KIT		62	193233 01	SEAL CLAMP	2
25	HSS-0260	SET SCREW	2	63	SCW-4960	BUTT.HD.SKT.SCREW	12
26	PIN-1150	SPLIT PIN	2	64	WSH-0056	WASHER	12
27	192193 01	ADJ COWL STOP L.H	1	65	193244 01	RETAINING NUT	2
28	192193 02	ADJ COWL STOP R.H	1	66	193248 01	RETAINING SCREW	2
29	HSS-0194	SET SCREW	7	67	BLTA12380	BOLT	2
30	WSH-0015	WASHER	11	68	193251 01	RETAINING BAR	2
31	NUT-0265	NUT	7	69	NUT-0170	PLAIN NUT	2
32	192055 01	RUNNER ASSY L.H	1	70	194330 01	RADIUS MOULDING (2000 ON)	5
33	192055 02	RUNNER ASSY R.H	1	71	194330 02	RADIUS MOULDING (2000 ON)	2
34	SCW-1735	SCREW	6	72	SCHE05170	SELF TAP SCREW	26
35	192304 01	AUGER END DEFLECTOR	2				
36	HSS-0140	SET SCREW	11				
37	192494 01	INDICATOR ROD	1				



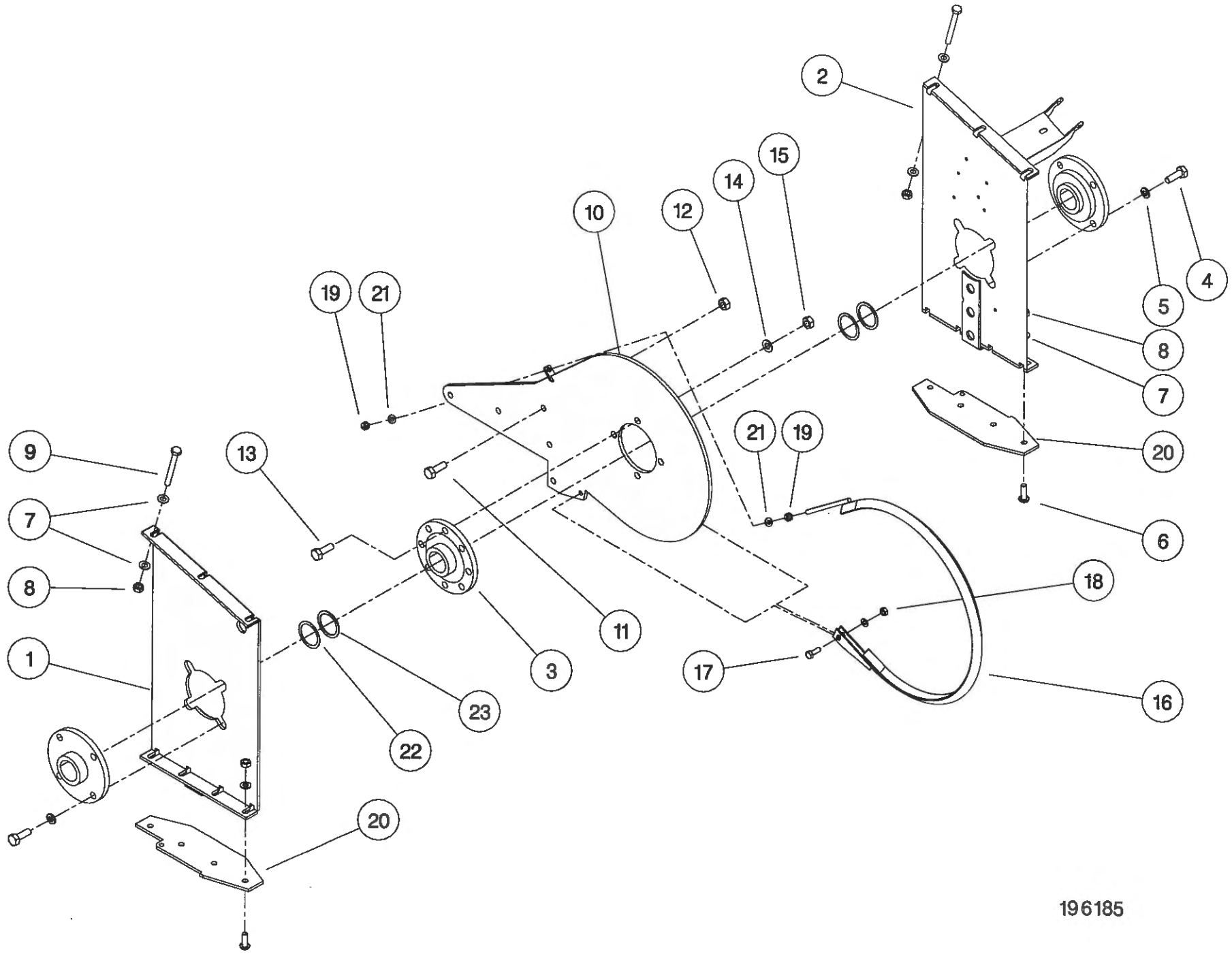
Shelbourne Reynolds Engineering Limited

ASSY NUMBER:		196183 02		ASSY DESCRIPTION: CX EMBLEMS AND GUARDS SUB (1999)			
ITEM	PART NO	DESCRIPTION	QTY	ITEM	PART NO	DESCRIPTION	QTY
1	193252 01	L.H.GUARD	1	39	NUT-0164	NUT	10
2	BLTA08470	BOLT	2	40	BLTA08350	SHEARBOLT	10
3	WSH-0012	PLAIN WASHER	14	41	EDS-11400	EDGING STRIP	2.0
4	NUT-0263	NYLOC NUT	10	42	WSH-0058	WASHER	4
5	LTC-00040	SLAM LATCH	1	43	HSS-0145	SET SCREW	1
6	194079 01	L.H. TOP COVER	1	44			
7	HSS-0140	SET SCREW	9	45	194103 01	EMBLEM (ROTOR SPEED RATIO'S)	1
8	192570 01	FRONT DEFLECTOR L.H.	1	46	194364 01	CANNISTER BRACKET	1
9	WSH-0009	PLAIN WASHER	8	47	WDA-00025	CANNISTER	1
10	WSH-0056	SPRING WASHER	6	48	HSS-0145	SET SCREW	2
11	NUT-0260	NYLOC NUT	3	49	CHN-0145	CHAIN	0.17
12	191355 01	COVER	1	50	RCL-0015	R-CLIP	1
13	HSS-0084	SET SCREW	10				
14	SCW-4700	WING SCREW	1				
15	193478 01	R.H.GUARD	1				
16	192555 01	REAR DRIVE GUARD	1				
17							
18	WSH-1038	PENNY WASHER	3				
19	191359 01	IDENTIFICATION PLATE	1				
20	POP-0006	POP RIVET	4				
21	191983 01	EMBLEM (STRIPES & REYNOLDS)	2				
22	191982 01	EMBLEM (SHELBOURNE)	2				
23	610257 01	EMBLEM (READ MANUAL)	1				
24	127075 12	EMBLEM (GREASE 10 HOURS)	2				
25	193388 01	EMBLEM (FLYING OBJECTS)	2				
26	193389 01	EMBLEM (KEEP AWAY)	2				
27	193395 01	EMBLEM (TENSILOCK)	4				
28	190702 04	EMBLEM (SLING POINT)	4				
29	192839 01	EMBLEM (SHEARBOLT PART No.)	1				
30	610250 01	EMBLEM (SAFETY MAINTENANCE)	1				
31	192953 01	EMBLEM (1/4 TURN)	1				
32	193392 01	EMBLEM (STOP ENG BEFORE...)	1				
33	193393 01	EMBLEM (STOP ENG BEFORE...)	1				
34	193390 01	EMBLEM (DONT HANG CHAIN)	1				
35	193391 01	EMBLEM (PTO GUARD)	1				
36	193394 01	EMBLEM (ENGAGE STRIP ROTOR)	1				
37	193387 01	EMBLEM (AUGER/ROTOR SPEED)	1				
38	127075 16	EMBLEM (GREASE 50 HOURS)	7				



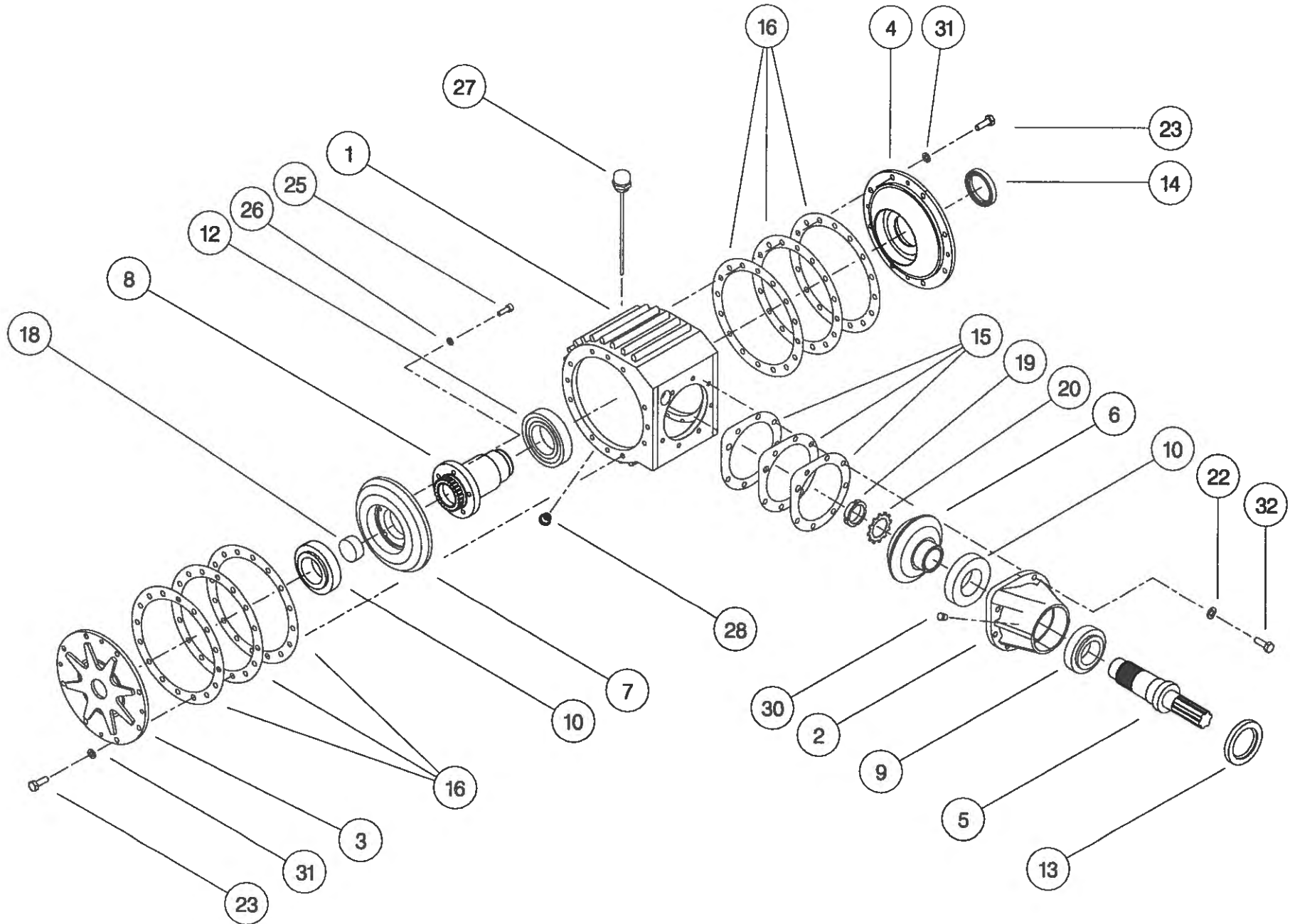
Shelbourne Reynolds Engineering Limited

ASSY NUMBER:		196185 01		ASSY DESCRIPTION: CX RANGE RTR MTG SUB ASSY (1999)			
ITEM	PART NO	DESCRIPTION	QTY	ITEM	PART NO	DESCRIPTION	QTY
1	193477 01	ROTOR MTG PLATE R.H	1				
2	193015 01	ROTOR MTG PLATE L.H	1				
3	BRG-3275	BEARING	3				
4	HSS-0235	SETSCREW	8				
5	WSH-0065	WASHER	8				
6	SCW-0515	SCREW	8				
7	WSH-0015	WASHER	20				
8	NUT-0265	NUT	14				
9	BLTA10520	BOLT	6				
10	194093 01	DIVISION PLATE	1				
11	BLTA12290	BOLT5					
12	NUTA07120	AERO-TIGHT NUT	5				
13	HSS-0241	SETSCREW	4				
14	WSH-0018	WASHER	4				
15	NUT-0269	NUT	4				
16							
17							
18							
19							
20	193220 01	DIVIDING PLATE	2				
21							
22	192876 01	SHIM (1mm THICK)					
23	192876 02	SHIM (2mm THICK)					



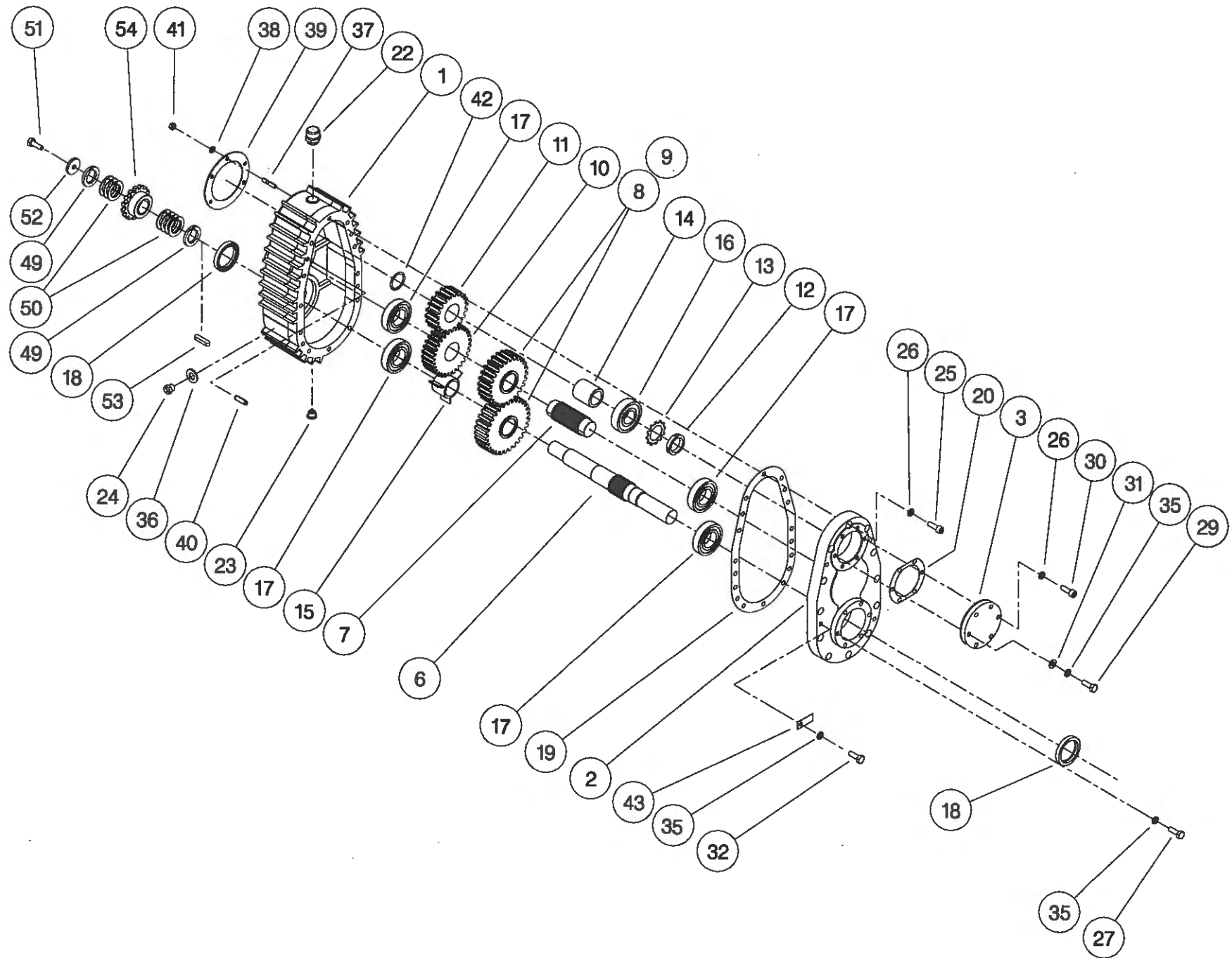
Shelbourne Reynolds Engineering Limited

ASSY NUMBER: GEA-0095		ASSY DESCRIPTION: BEVEL GEARBOX (1.5:1)					
ITEM	PART NO	DESCRIPTION	QTY	ITEM	PART NO	DESCRIPTION	QTY
1	191715 01	GEARBOX CASING	1				
2	191716 01	INPUT HOUSING	1				
3	191717 01	OUTSIDE END COVER	1				
4	191718 01	INSIDE END COVER	1				
5	191819 01	INPUT SHAFT (28T INVOLUTE)	1				
6	191798 01	BEVEL GEAR 20T (28T INV)	1				
7	191799 01	BEVEL GEAR 30T (25T INV)	1				
8	191800 01	OUTPUT SHAFT (25T INVOLUTE)	1				
9	BRG-7000	BEARING	1				
10	BRG-7020	BEARING	2				
11							
12	BRG-7040	BEARING	1				
13	SEA-0590	ROTARY SHAFT SEAL	1				
14	SEA-0600	ROTARY SHAFT SEAL	1				
15	191812	SHIM PACK (INPUT)	1				
16	191813	SHIM PACK (ENDS)	2				
17							
18	191735 01	SHAFT PLUG	1				
19	NUT-3010	LOCK RING	1				
20	WSH-6010	LOCK WASHER	1				
21							
22	WSH-1301	SHAKEPROOF WASHER	7				
23	HSS-0191	SET SCREW	16				
24							
25	SCW-0139	CAP HEAD SCREW	5				
26	WSH-0058	SPRING WASHER	5				
27	FIT-0254	BREATHER/DIP STICK	1				
28	FIT-0253	MAGNETIC DRAIN PLUG	1				
29							
30	FIT-0223	TAPER PLUG	1				
31	WSH-0061	SPRING WASHER	16				
32	SCW-0190	CAP SOC.HEAD SCREW	7				



Shelbourne Reynolds Engineering Limited

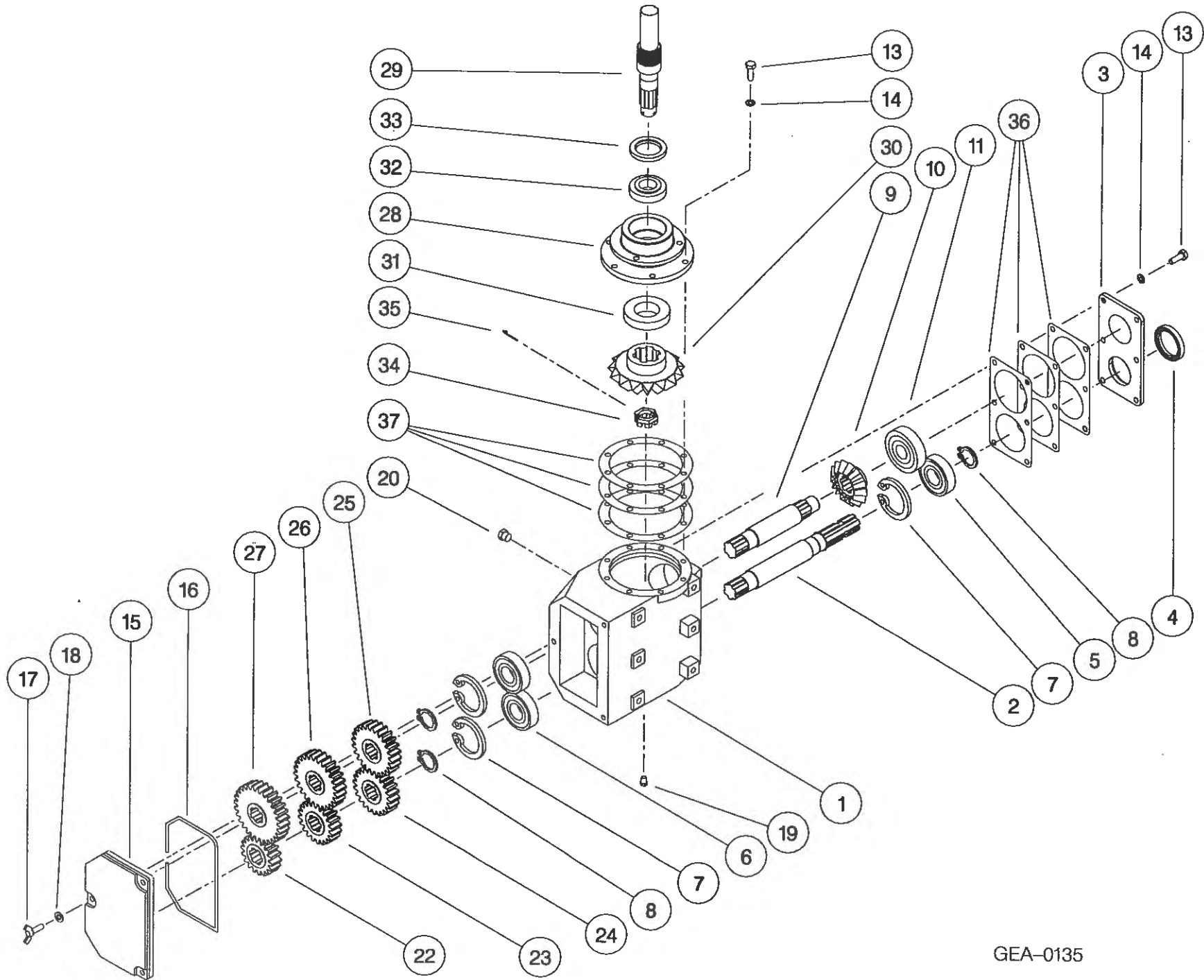
ASSY NUMBER:		ASSY DESCRIPTION: SHORT DROPBOX FOR RX & CX (1999)					
ITEM	PART NO	DESCRIPTION	QTY	ITEM	PART NO	DESCRIPTION	QTY
1	191723 01	GEARCASE	1	38	WSH-0012	PLAIN WASHER	5
2	191723 02	LID	1	39	191759 01	SEAL	1
3	191696 02	OUTPUT END CAP	1	40	191765 01	DOWL	2
4				41	NUT-0012	PHILIDAS NUT	5
5				42	CIR-4000	SNAP RING CIRCLIP	1
6	191807 01	INPUT/AUGER OUTPUT SHAFT (28T INVOLUTE)	1	43	191928 01	IDENTIFICATION TAG	1
7	191801 01	INTERMED. SHAFT (28T INV)	1	44			
8	*	CHANGE GEAR (SEE DRIVE SUB)		45			
9	*	CHANGE GEAR (SEE DRIVE SUB)		46			
10	191803 01	SPUR GEAR 30T (28T INV)	1	47			
11	191884 01	SPUR GEAR 20T (28T INV)	1	48			
12	NUT-3000	LOCK RING	1	49	191692 01	SPACER	2
13	WSH-6000	LOCK WASHER	1	50	191692 02	SHIM	7
14	191725 01	SPACER	1	51	HSSF10174	SET SCREW	1
15	191894 01	SPACER	1	52	190548 01	PLAIN WASHER	1
16	BRG-6600	BEARING	1	53	K1008045	KEY	1
17	BRG-5800	BEARING	4	54	*	AUGER SPROCKET (SEE DRIVE SUB)	
18	SEA-0610	ROTARY SHAFT SEAL	2				
19	191756 01	GASKET	1				
20	191757	SEAL PACK	1				
21							
22	FIT-0255	BREATHER	1				
23	FIT-0253	MAGNETIC DRAIN PLUG1					
24	FITD00005	SIGHT GLASS/SEAL	1				
25	SCW-0196	CAP HEAD SCREW	12				
26	WSH-1301	SHAKEPROOF WASHER	15				
27	HSS-0202	SETSCREW	6				
28							
29	BLTA10290	BOLT	3				
30	SCW-0190	CAP HEAD SCREW	3				
31	WSH-0015	PLAIN WASHER	3				
32	HSS-0188	SET SCREW	1				
33							
34							
35	WSH-0061	SPRING WASHER	10				
36							
37	191737 01	STUD	5				



Shelbourne Reynolds Engineering Limited

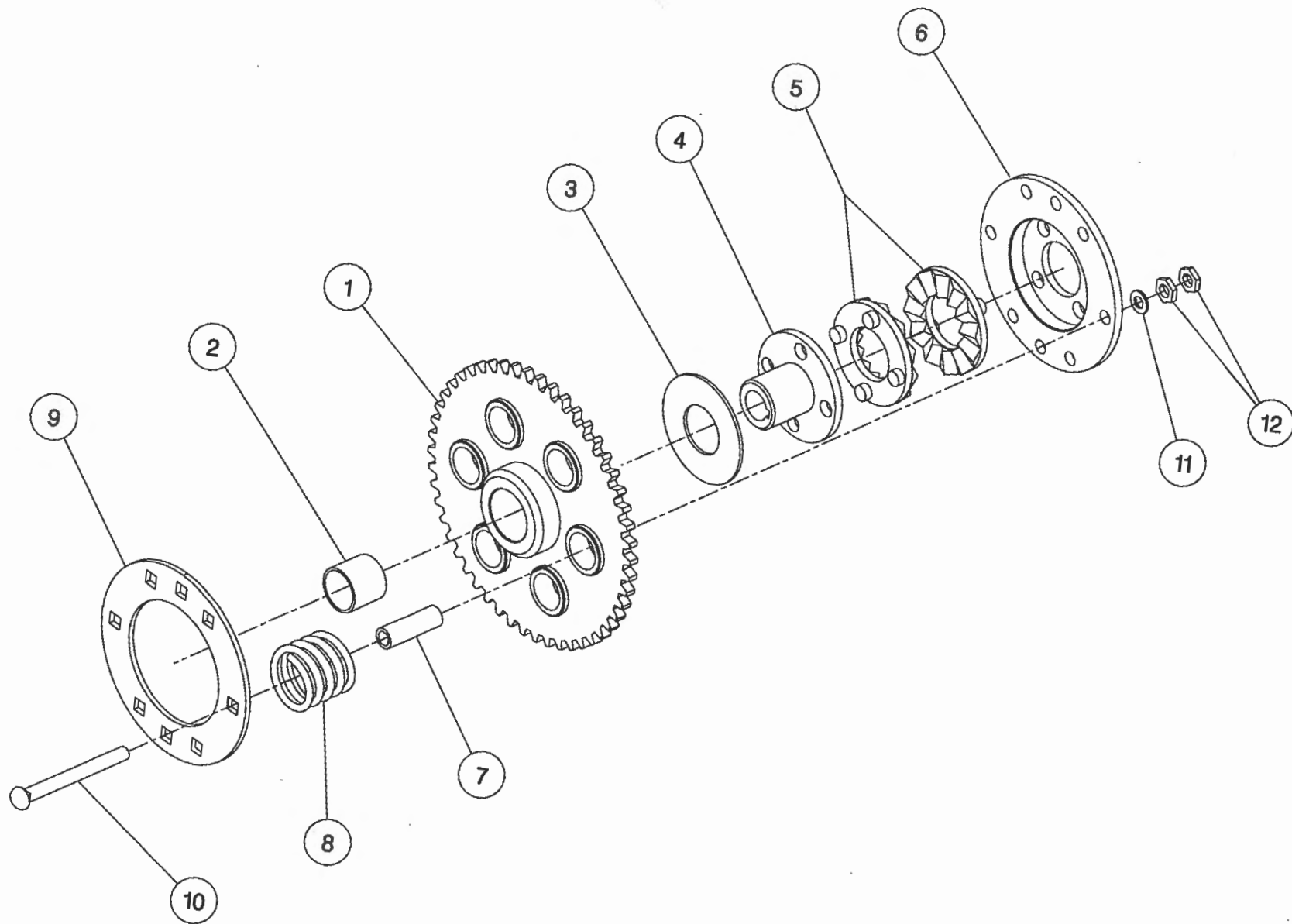
ASSY NUMBER: GEA-0135 ASSY DESCRIPTION: 5 SPEED G.BOX ASSY ALUM/FINNED 1997 (WITH DROP BOX)

ITEM	PART NO	DESCRIPTION	QTY	ITEM	PART NO	DESCRIPTION	QTY
1	191821 01	GEARBOX CASING	1				
2	191829 01	INPUT SHAFT	1				
3	191825 01	SEAL HOUSING	1				
4	SEA-0550	ROTARY SHAFT SEAL	1				
5	BRG-6600	BEARING	1				
6	BRG-6601	BEARING	2				
7	CIR-3800	CIRCLIP	3				
8	CIR-2700	CIRCLIP	3				
9	191828 01	LAYSHAFT	1				
10	191823 01	BEVEL GEAR (15T)	1				
11	BRG-6800	BEARING	1				
12							
13	HSS-0194	SET SCREW	14				
14	WSH-0061	SPRING WASHER	14				
15	192924 01	REMOVABLE COVER	1				
16	ORA260000	'O' RING SEAL STRIP	0.7				
17	SCW-4760	WING SCREW	3				
18	WSH-1301	SHAKEPROOF WASHER	3				
19	FIT-0223	PLUG	1				
20	FIT-0218	BREATHER	1				
21							
22	191822 18	CHANGE GEAR (18T)	1				
23	191822 20	CHANGE GEAR (20T)	1				
24	191822 22	CHANGE GEAR (22T)	1				
25	191822 24	CHANGE GEAR (24T)	1				
26	191822 26	CHANGE GEAR (26T)	1				
27	191822 28	CHANGE GEAR (28T)	1				
28	191691 02	OUTPUT HOUSING (HOLES,1997)	1				
29	191885 01	OUTPUT SHAFT	1				
30	191824 01	BEVEL GEAR (18T)	1				
31	BRG-6000	BEARING	1				
32	BRG-5700	BEARING	1				
33	SEA-0565	ROTARY SHAFT SEAL	1				
34	191843 01	SLOTTED NUT	1				
35	PIN-1168	SPLIT PIN	1				
36	191830	GASKET SET	1				
37	191831	GASKET SET	1				



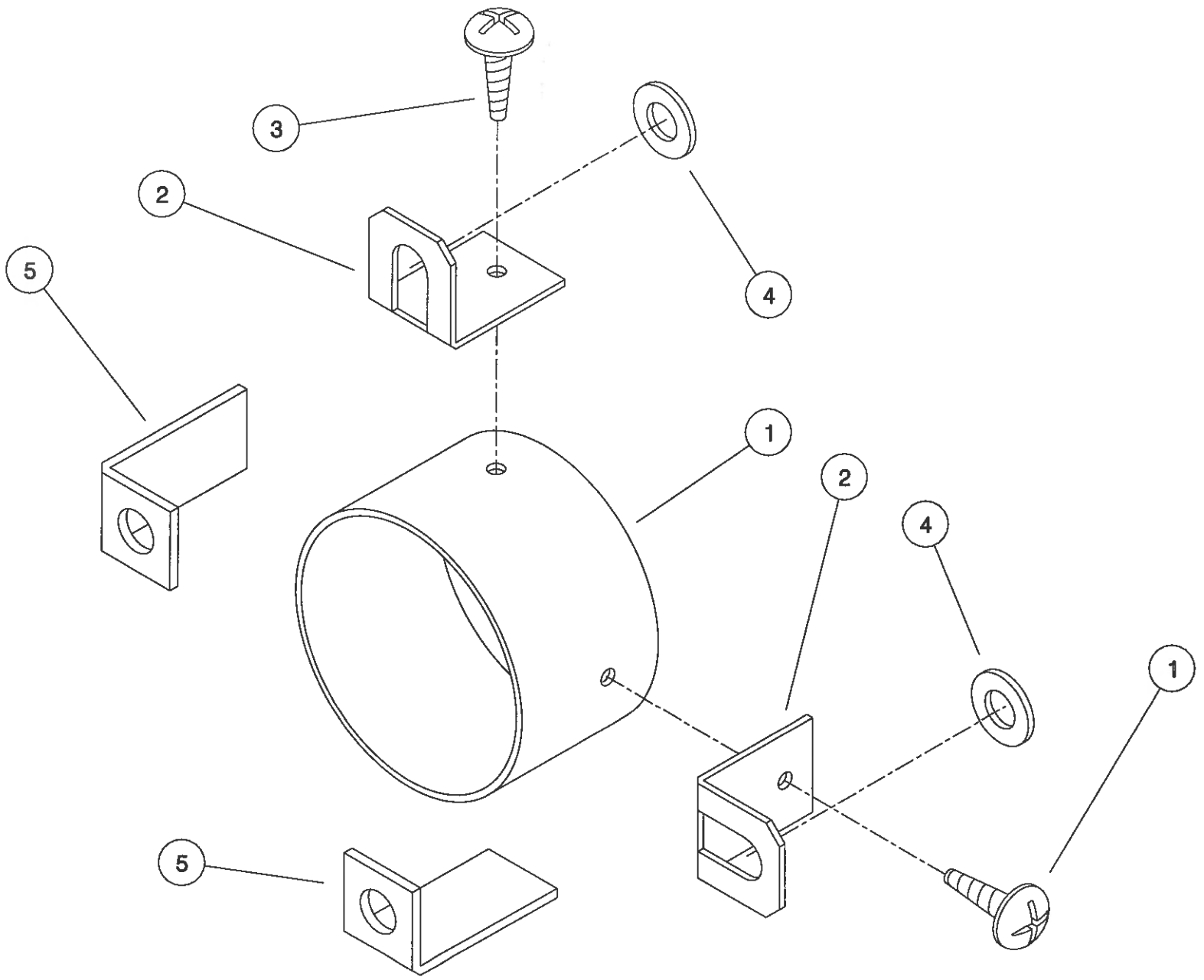
Shelbourne Reynolds Engineering Limited

ASSY NUMBER:		KIT-00109		ASSY DESCRIPTION:		AUGER DRIVE SPROCKET/CLUTCH ASSY	
ITEM	PART NO	DESCRIPTION	QTY	ITEM	PART NO	DESCRIPTION	QTY
1	192763 01	SPROCKET ASSY 50T	1				
2	BSH-3019	BUSH	1				
3	192008 01	THRUST WASHER	1				
4	192013 01	CLUTCH HUB	1				
5	131005	CLUTCH PLATE	2				
6	192014 01	DRIVE DISC	1				
7	131073 04	SPACER (1999 ONWARDS-62mm)	6				
OR	131073 03	SPACER (PRE 1999-67mm)	6				
8	131063	SPRING	6				
9	192009 01	FIXING RING	1				
10	BLTF12570	COACH BOLT	6				
11	WSH-0018	PLAIN WASHER	6				
12	NUT-0170	PLAIN NUT	12				



Shelbourne Reynolds Engineering Limited

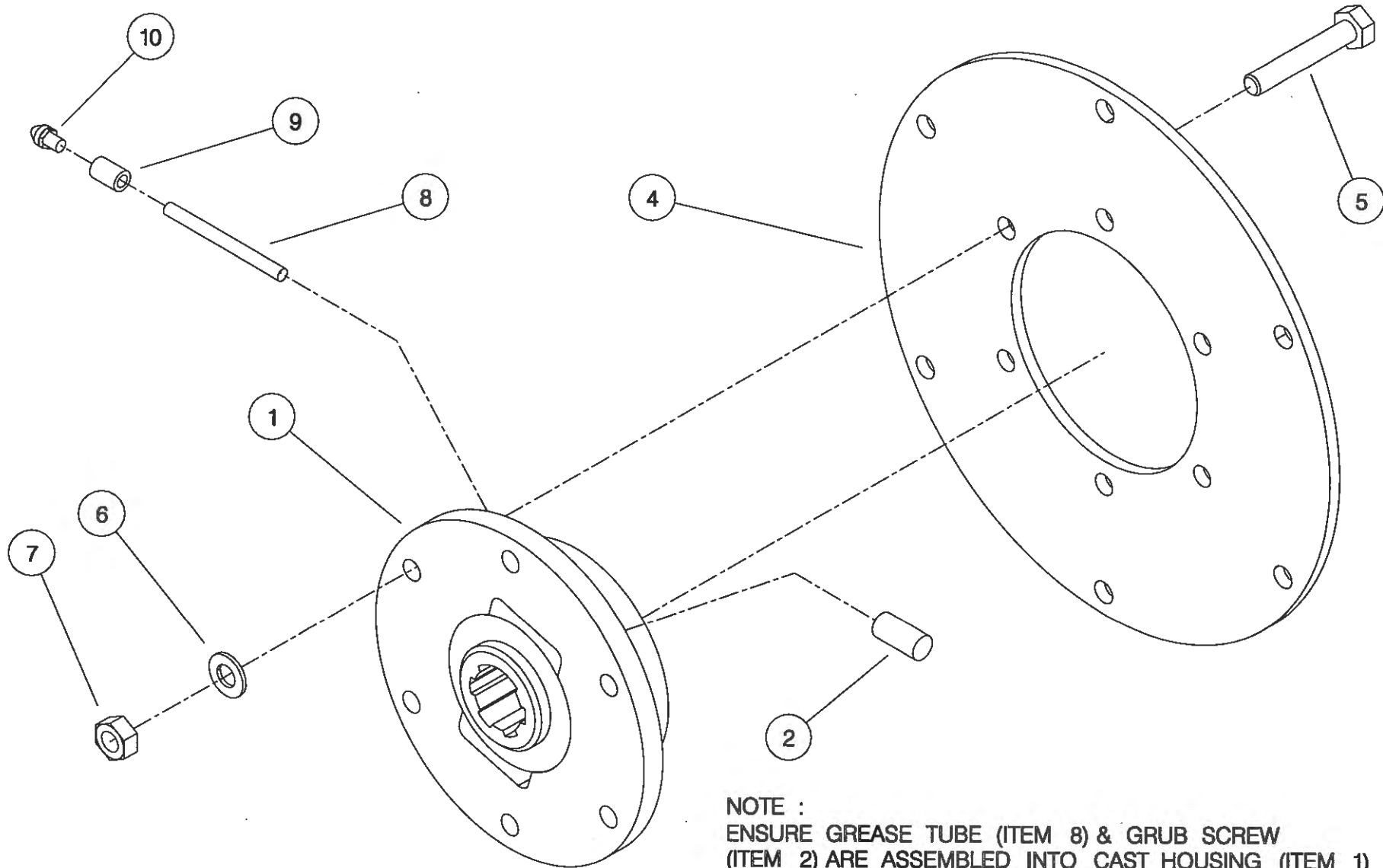
ASSY NUMBER:		KIT-00525		ASSY DESCRIPTION: PTO END GUARD			
ITEM	PART NO	DESCRIPTION	QTY	ITEM	PART NO	DESCRIPTION	QTY
1	192985 06	GUARD TUBE	1				
2	192992 01	GUARD SECURING BRACKET	2				
3	SCW-5104	SCREW	2				
4	WSH-0015	WASHER	2				
5	191763 01	PTO BRACKET	2				



KIT-00525

Shelbourne Reynolds Engineering Limited

ASSY NUMBER:		KIT-00976		SUB ASSY DESCRIPTION: BALL JOINT COUPLING (CAST ROTOR)			
ITEM	PART NO	DESCRIPTION	QTY	ITEM	PART NO	DESCRIPTION	QTY
1	193114 01	SPLINED BALL	1				
2	SCW-4530	GRUB SCREW	1				
3							
4	193106 01	DRIVE RING PLATE	1				
5	HSS-0198	SETSCREW	6				
6	WSH-0015	WASHER	6				
7	NUT-0265	NUT	6				
8	193077 01	GREASE TUBE	1				
9	193078 01	GREASE TUBE ADAPTOR	1				
10	NIP-00600	GREASE NIPPLE	1				

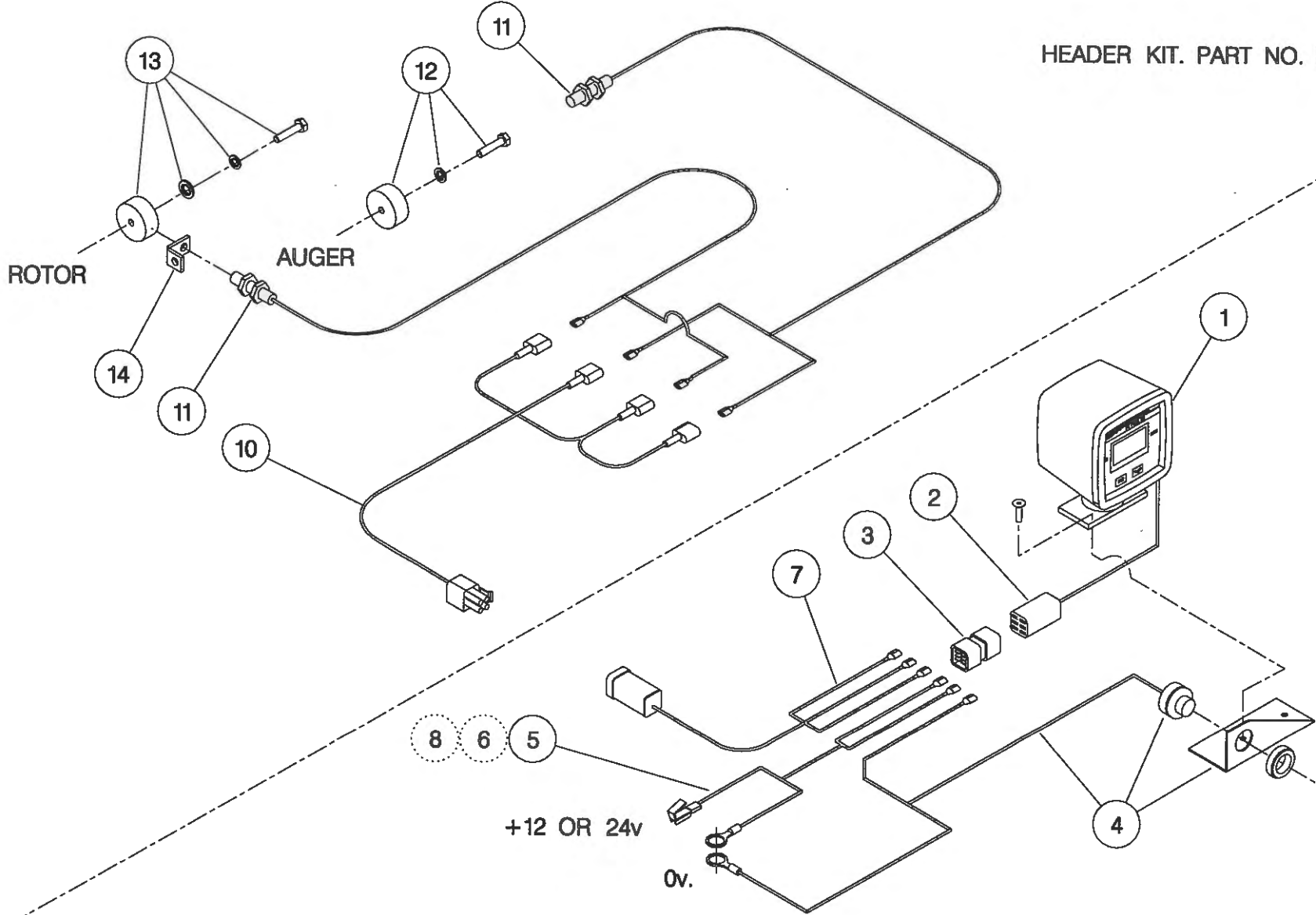


NOTE :
ENSURE GREASE TUBE (ITEM 8) & GRUB SCREW
(ITEM 2) ARE ASSEMBLED INTO CAST HOUSING (ITEM 1)
THE ORIENTATION SHOWN IS FOR A R.H. ROTOR
OPPOSITE ORIENTATION FOR L.H. ROTOR.

Shelbourne Reynolds Engineering Limited

ASSY NUMBER:		RDS-0001/RDS-0005		ASSY DESCRIPTION: TACHO KIT			
ITEM	PART NO	DESCRIPTION	QTY	ITEM	PART NO	DESCRIPTION	QTY
1	RDS-0010	TACHO HEAD COMPLETE	1	13	RDS-0020	MAGNET CARRIER ,	1
2	RDS-0011	TACHO HEAD PLUG & ARMS	1			SET SCREW ,	1
3	RDS-0012	HARTING CONNECTOR &	1			PENNY WASHER &	1
		STICKER	1			SPRING WASHER	1
4	RDS-0013	AUDIBLE ALARM,	1	14	RDS-0021	ROTOR SENSOR BRACKET	1
		FIXING BRACKET &	1				
		SELF TAP.SCREWS	2				
5	RDS-0014	POWER CONNECTION LEAD	1				
6	FUS-0022	FUSE	1				
7	RDS-0015	COMBINE LEAD	1				
8	RDS-0016	24V-12V CONVERTER KIT (NOT INCLUDED IN RDS-0001)	1				
9							
10	RDS-0017	HEADER LEAD	1				
11	RDS-0018	SHAFT SENSOR	2				
12	RDS-0019	MAGNET ,	1				
		TAPTITE BOLT &	1				
		FIBRE WASHER	1				

HEADER KIT. PART NO. RDS - 0005



COMBINE KIT. PART NO. RDS - 0001

NOTE ;
 ITEM 6 IS USED IF POWER SUPPLY IS NOT FUSED.
 ITEM 8 IS USED IF POWER SUPPLY IS 24V, -VE EARTH. (NOT INCLUDED IN RDS - 0001).
 ITEM 4 (ALARM) IS BUILT INTO ITEM 1 (TACHO HEAD) ON LATER MODELS.

NUMERIC PARTS LIST

<u>PART No.</u>	<u>PAGE</u>	<u>PART No.</u>	<u>PAGE</u>	<u>PART No.</u>	<u>PAGE</u>
127075 12	30	191812	34	192555 01	30
127075 16	30	191813	34	192570 01	30
131005	40	191819 01	34	192636 01	14
131041 01	26	191821 01	38	192636 06	14
131063	40	191822 18	38	192679 01	11
131073 04	40	191822 20	38		12
190060 06	26	191822 22	38	192686 01	6
190119 04	26	191822 24	38	192718 01	6
190119 05	6	191822 26	38		16
190119 07	28	191822 28	38	192735 08	6
190119 22	26	191823 01	38	192754 02	28
190361 01	6	191824 01	38	192763 01	40
190548 01	36	191825 01	38	192812 01	16
190702 04	30	191828 01	38	192813 01	16
191040 01	26	191829 01	38	192839 01	30
191259 01	28	191830	38	192876 01	32
191259 02	28	191831	38	192876 02	32
191339 01	28	191843 01	38	192890 03	11
191340 01	28	191862 01	8		12
191355 01	30	191884 01	36	192892 01	11
191359 01	30	191885 01	38		12
191642 01	6	191894 01	36	192892 02	11
191652 01	26	191928 01	36		12
191691 02	38	191981 01	6	192892 03	11
191692 01	36	191982 01	30		12
191692 02	36	191983 01	30	192897 01	12
191696 02	36	192008 01	40	192899 01	11
191715 01	34	192009 01	40	192924 01	38
191716 01	34	192011 01	22	192953 01	30
191717 01	34	192013 01	40	192959 01	11
191718 01	34	192014 01	40		12
191723 01	36	192037 01	6	192985 06	42
191723 02	36	192038 01	6	192992 01	42
191725 01	36	192193 01	28	193015 01	32
191735 01	34	192193 02	28	193077 01	44
191737 01	36	192227 01	22	193078 01	44
191756 01	36	192227 02	22	193103 01	12
191757	36	192304 01	28	193106 01	44
191759 01	36	192363 08	22	193114 01	44
191763 01	42	192364 01	22	193117 03	11
191765 01	36	192368 01	22	193118 01	11
191770 01	8	192442 01	28		12
191774 01	26	192442 02	28	193118 02	11
191777 01	26	192494 01	28		12
191798 01	34	192533 01	8	193203 01	22
191799 01	34	192533 02	8	193214 01	28
191800 01	34	192537 01	8	193219 01	28
191801 01	36	192537 02	8	193220 01	32
191803 01	36	192543 01	28	193221 01	28
191807 01	36	192550 01	28	193222 01	28

NUMERIC PARTS LIST

<u>PART No.</u>	<u>PAGE</u>	<u>PART No.</u>	<u>PAGE</u>	<u>PART No.</u>	<u>PAGE</u>
193232 01	28	BLTA10290	16	GEA-0135	26
193233 01	28		36	GSTA14406	16
193235 01	28	BLTA10410	16	HHBC32410	24
193244 01	28	BLTA10520	32	HHBC61810	24
193248 01	28	BLTA12290	26	HPPD07100	24
193251 01	28		32	HSS-0084	28
193252 01	30	BLTA12380	28		30
193255 01	16	BLTF12570	40	HSS-0086	24
193363 01	28	BPG-00200	11	HSS-0092	28
193382 01	11	BRG-0240	14	HSS-0140	6
	12		22		28
193387 01	30	BRG-1995	26		30
193388 01	30	BRG-2020	22	HSS-0145	30
193389 01	30	BRG-3275	32	HSS-0155	8
193390 01	30	BRG-5700	38	HSS-0188	36
193391 01	30	BRG-5800	36	HSS-0191	8
193392 01	30	BRG-6000	38		22
193393 01	30	BRG-6600	36		34
193395 01	30		38	HSS-0194	28
193445 01	22	BRG-6601	38		38
193477 01	32	BRG-6800	38	HSS-0198	44
193478 01	30	BRG-7000	34	HSS-0202	36
193480 01	28	BRG-7020	34	HSS-0238	26
193480 02	28	BRG-7040	34		28
193481 01	28	BSH-1530	26		32
193506 01	28	BSH-3030	16	HSS-0241	14
193513 11	18		28		26
193523 01	20	BSH-3070	28		32
193523 02	20	CFC-00500	18	HSS-0260	28
193567 01	18	CIR-0470	26	HSS-0316	28
193828 01	28	CIR-1150	28	HSSF08174	11
193828 02	28	CIR-2700	38		12
194061 01	26	CIR-3800	38	HSSF10174	36
194068 01	26	CIR-4000	36	HSSF12204	22
194079 01	30	CLP-01012	24	HSSG10204	11
194081 01	28	EDS-11400	30		12
194093 01	32	EDS-11600	16	HSSG12174	26
194103 01	30	ETM-00440	18	K0807050	14
200035 03	14	ETM-00560	18	K0807060	14
200038 01	14	FIT-0213	24	K1008045	36
200120 03	14	FIT-0218	38	KIT-00109	14
610250 01	30	FIT-0223	34	KIT-00525	26
610257 01	30		38	KIT-00976	11
AUG-02500	22	FIT-0253	34	LMP-10501	18
BLB-0075	18		36	LTC-00040	30
BLT-3745	14	FIT-0254	34	NIP-0001	16
BLT-3790	14	FIT-0255	36		28
BLT-4710	28	FITD00005	36	NIP-00600	44
BLTA08350	30	GEA-0095	26	NUT-0164	30
BLTA08470	30	GEA-0102	26	NUT-0170	14

NUMERIC PARTS LIST

<u>PART No.</u>	<u>PAGE</u>	<u>PART No.</u>	<u>PAGE</u>	<u>PART No.</u>	<u>PAGE</u>
NUT-0170	28	SCW-4960	22	WSH-0058	30
	40	SCW-5104	42	WSH-0061	22
NUT-0260	22	SCW-5180	11		34
	24		12		36
	28		18		38
	30		24	WSH-0065	26
NUT-0263	22	SEA-0550	38		32
	28	SEA-0565	38	WSH-0070	28
	30	SEA-0590	34	WSH-1034	11
	36	SEA-0600	34		12
NUT-0265	8	SEA-0610	36	WSH-1038	30
	14	TEXT	14	WSH-1301	34
	16		36		36
	22		36		38
	28		36	WSH-1547	28
	32	TPE-00250	18	WSH-6000	36
	44		18	WSH-6010	34
NUT-0269	14	TPE-00251	18		
	26		18		
	28	WSH-0009	22		
	32		24		
NUT-0580	14		28		
NUT-3000	36		30		
NUT-3010	34	WSH-0012	22		
NUTA07120	32		28		
ORA260000	38		30		
PFS-00500	24		36		
PIN-01790	28	WSH-0015	8		
PIN-1150	14		14		
	28		16		
PIN-1168	38		22		
POP-0006	6		28		
	28		32		
	30		36		
POP-0007	28		42		
PTO-09010	26		44		
SCBA08172	22	WSH-0018	14		
SCCA10412	22		26		
SCW-0139	34		28		
SCW-0190	34		32		
	36		40		
SCW-0196	36	WSH-0024	28		
SCW-0515	32	WSH-0030	14		
SCW-1735	28	WSH-0056	22		
SCW-4530	44		28		
SCW-4535	14		30		
SCW-4700	30	WSH-0058	6		
SCW-4760	38		8		
SCW-4959	22		22		
SCW-4960	28		34		