

*Shelbourne*  
REYNOLDS

PICK UP HEADER



[SHELBOURNE.COM](http://SHELBOURNE.COM)

PICK UP HEADER

# Shelbourne

## PICK UP HEADER



THE SHELBOURNE RANGE OF PICK UP HEADERS ARE DESIGNED FOR PICKING UP A WIDE RANGE OF SWATHS INCLUDING WHEAT, BARLEY, GRASS SEED, OILSEED RAPE AND BORAGE. THEY ARE DESIGNED TO FIT MOST MODERN COMBINE HARVESTERS USING A SIMPLE BOLT ON ADAPTOR PLATE.

Two models are available, the fully hydraulic version uses a pto input from the combine and then using a self contained hydraulic system powers both the auger and draper. A cab mounted electronic control box the allows the operator to control draper speed as well as reverse the header independently of the combine feederhouse to clear obstructions. The simpler mechanical drive version drives the auger mechanically direct from the combine pto and then uses the combines hydraulic reel drive service to power the draper.

### FEATURES AND BENEFITS

- One piece draper with cross ribs to maximise crop recovery
- Large diameter deep flighted floating auger accommodates even the largest swaths
- Draper mounted skids or castor wheels available for height control and draper protection
- Adaptor plate system allows the header to be switched from one combine to another

## HYDRAULIC DRIVE

- Gives electronic control from cab
- Available in 11ft (3.3m), 13ft (3.9m) and 15ft (4.5m) pick-up widths



## MECHANICAL DRIVE

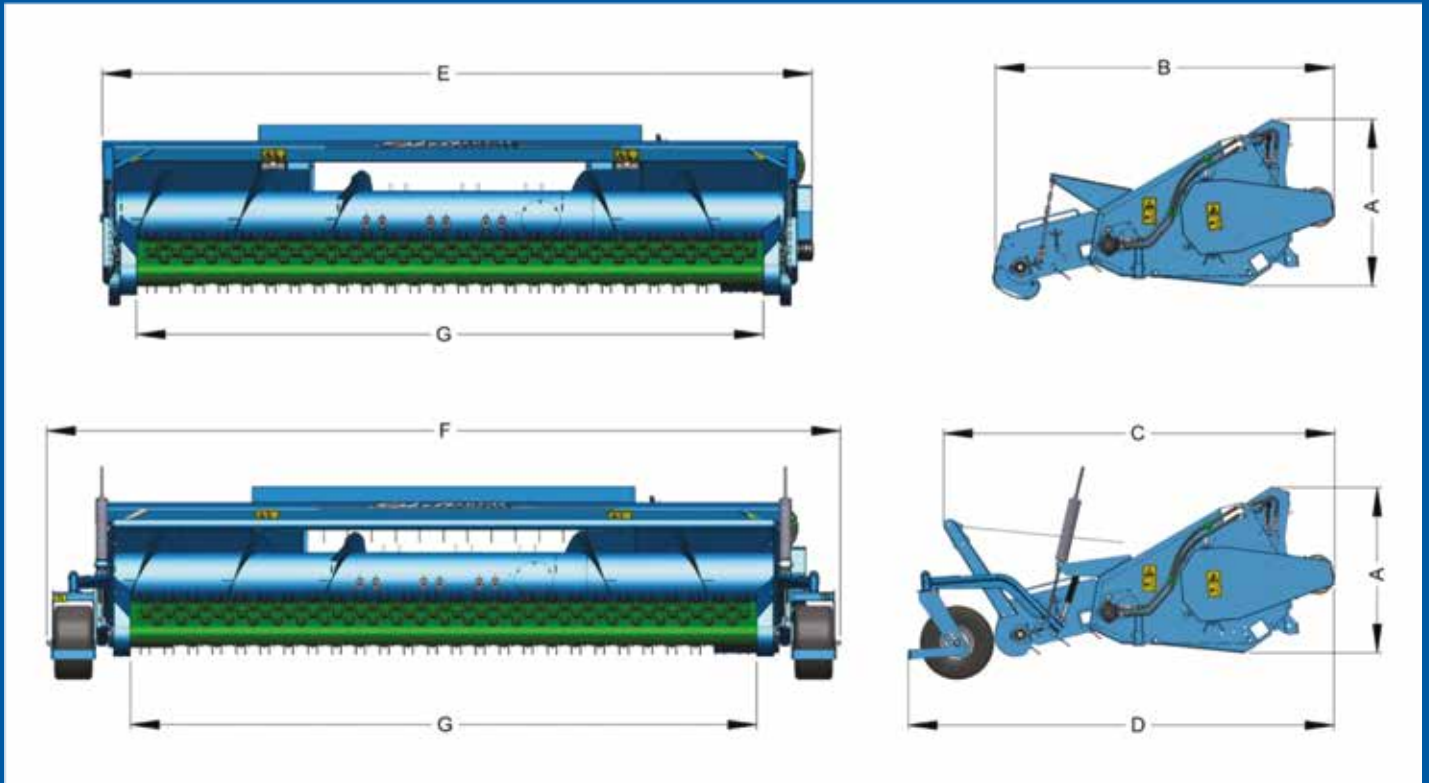
- Direct mechanical drive from combine
- Available in 13ft (3.9m) and 15ft (4.5m) pick-up widths



“ THE SHELBOURNE PICK UP HEADERS ARE DESIGNED TO FIT MOST MODERN COMBINE HARVESTERS USING A SIMPLE BOLT ON ADAPTOR PLATE ”

## PICK UP HEADER TECHNICAL DATA

FIND US:



MODEL	PU11H	PU13H	PU13H	PU15H	PU15H
HYDRAULIC / MECHANICAL	HYDRAULIC	HYDRAULIC	MECHANICAL	HYDRAULIC	MECHANICAL
HEIGHT (A)	1200MM (3' 11")	1200MM (3' 11")	1200MM (3' 11")	1200MM (3' 11")	1200MM (3' 11")
DEPTH, SKIDS FITTED (B)	2250MM (7' 5")	2250MM (7' 5")	2250MM (7' 5")	2250MM (7' 5")	2250MM (7' 5")
DEPTH, CROP SLIDES FITTED (C)	2450MM (8')	2450MM (8')	2450MM (8')	2450MM (8')	2450MM (8')
DEPTH, CASTER WHEELS FITTED (D)	2700MM (8' 10")	2700MM (8' 10")	2700MM (8' 10")	2700MM (8' 10")	2700MM (8' 10")
WIDTH, SKIDS FITTED (E)	3980MM (13')	4580MM (15')	4580MM (15')	5180MM (17')	5180MM (17')
WIDTH, CASTER WHEELS FITTED (F)	4330MM (14' 2")	4930MM (16' 2")	4930MM (16' 2")	5530MM (18' 2")	5530MM (18' 2")
EFFECTIVE PICK UP WIDTH (G)	3316MM (10' 10")	3916MM (12' 10")	3916MM (12' 10")	4516MM (14' 10")	4516MM (14' 10")
WEIGHT	1000KG	1160KG	1160KG	1320KG	1320KG