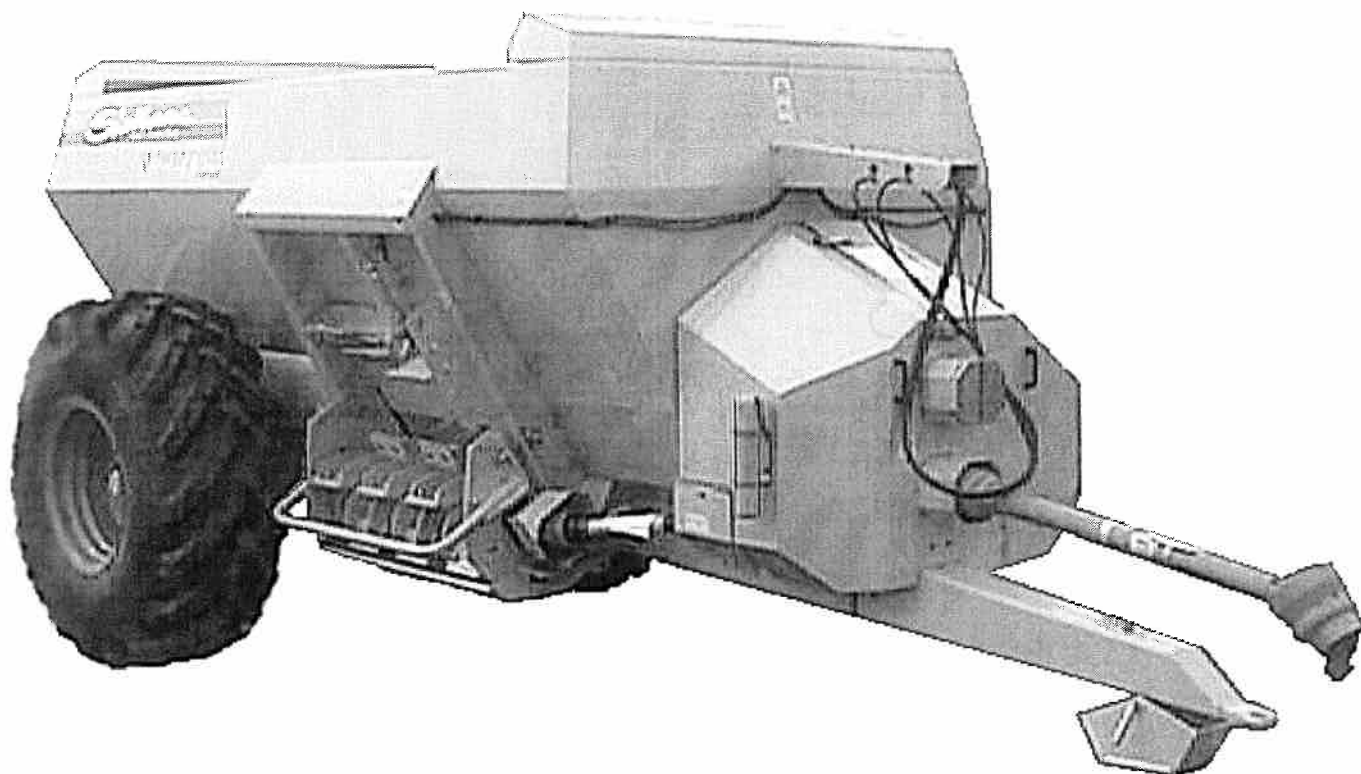


powerspread

Operators & Parts Manual
"Original instructions"

Contractor 1600-2800 Gallon



Shelbourne Reynolds Engineering Ltd
Stanton
Bury St Edmunds
Suffolk IP31 2AR
England
Telephone: (01359) 250415
Fax: (01359) 250464

(Stores direct (01359) 251231)
(Stores direct (01359) 252031)

ISSUE 24
28.10.2010

Dealer Pre-delivery / Installation check and warranty registration – Powerspread

PLEASE INITIAL APPROPRIATE COLUMN FOR EACH ITEM UNDERTAKEN

Machines assembly	Checks OK	Adjusted
Check in general that nuts & bolts are tight.		
Check paintwork & finish.		
Drive line		
Check chains are tensioned correctly.		
Check the PTO shaft length is compatible with the tractor.		
Rotate the auger & check there are no unusual scratching or knocking sounds.		
Lubrication		
Ensure the chain-oiler system (Contractor only) is working correctly, & the chains are pre-greased.		
Lubricate all grease points.		
Adjustments		
Rotate the impeller, check it rotates freely, and is clear of the door and drip tray. Adjust impeller blades (Dairy) or impeller adjuster studs (Contractor) as required.		
Hydraulics		
Check hydraulic system for leaks.		
Check operation of all hydraulic services.		
Ensure the hoses are not taught when connected to the tractor.		
Wheel & tyres		
Check tyre pressures.		
Check wheel nuts for correct torque setting.		
Braking system		
Check brake ram operation & adjustment.		
Check operation of handbrake.		
Check braking system for oil leaks.		
Safety		
Ensure that all safety guards & decals are fitted.		
Manual		
Ensure that an operator's manual is supplied with the machine.		
Customer Instruction		
Explain the correct setting & operation of the machine to the customer.		
Ensure the machine is correctly attached to the customer's tractor.		
Ensure the maintenance schedule is explained to the customer.		
Ensure the lubrication & grease points are indicated to the customer.		
Ensure all safety precautions & warning decals are explained to the customer.		
Ensure the warranty policy is explained to the customer.		
Ensure that the operators manual is handed to the customer.		

For specific details please refer to the operators manual.



Dealer's pre-delivery/installation check **IMPORTANT**

All items listed on the left must be checked, and adjusted if necessary. The person conducting the inspection should initial each item in the space provided, indicating whether or not adjustments were required. In event of additional work being needed, details should be given in the additional work / discrepancy box, located at the bottom of this sheet, or on a separate sheet if required. When the inspection is complete, THIS FORM MUST COPIED & RETURNED TO:- Shelbourne Reynolds Engineering within 21 days of the sale, otherwise the invoice date to the dealer will be deemed to be the start date for the warranty period.

Dealer Name: _____

Address: _____

Post / Zip code: _____

Dealer Salesman Name: _____

Customer Name: _____

Address: _____

Post / Zip code: _____

Tel No, Home / Office: _____ Mobile: _____

SERIAL NUMBER: _____ MACHINE NUMBER: _____

MODEL: _____

Dealer signature: _____

Print Name: _____ Date: _____

Customer's Signature: _____

Print Name: _____ Date: _____

The purchasers signature certifies that the machine was delivered in a satisfactory condition and that adequate instruction was received as to its correct operation, safety requirements and maintenance as stated in the operators manual.

Additional work / discrepancies:

EC Declaration of conformity for machinery

(Machinery Directive 2006/42/EC, Annex II., sub. A)

Manufacturer : Shelbourne Reynolds Engineering Ltd.

Address : Shepherds Grove Industrial estate,
Stanton,
Bury St Edmunds,
Suffolk.
England.
IP31 2AR

Name and address of the person (*established in the European Community/EEA*)
authorised to compile the technical file (*to the authorities on request*):

Name : Mr. Neil Smith

Address : As stated above.

Herewith we declare that :

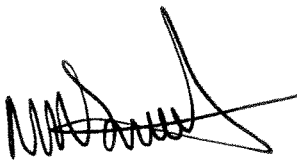
Make :

Powerspread Contractor

Model :

Serial No.:

- is in conformity with the relevant provisions of the Machinery Directive (2006/42/EC)



Neil Smith
Director

Place : **Stanton, England.**

Date :

OPERATORS / PARTS MANUAL

CONTENTS

Section 1 INTRODUCTION

- 1.1 Foreword
- 1.2 Improvements and changes
- 1.3 Service Parts
- 1.4 Machine Identification
- 1.5 Warranty

Section 2 SAFETY PROCEDURES

- 2.1 Accident prevention
- 2.2 Before starting the machine
- 2.3 The machine in the field
- 2.4 Leaving the machine
- 2.5 Servicing the machine
- 2.6 Spreader attachment and transportation

Section 3 SPECIFICATION AND DESCRIPTION

Section 4 TRANSPORTATION AND SPREADER ATTACHMENT

- 4.1 Attaching spreader to tractor
- 4.2 Connection of hydraulic hoses for discharge door ram
- 4.3 Connection of hydraulic hose for brake ram
- 4.4 Braking system and handbrake

Section 5 FIELD OPERATION AND SPREADING

- 5.1 General spreading information
- 5.2 Loading the Powerspread
- 5.3 Discharge rate
- 5.4 Foreign objects
- 5.5 Door opening
- 5.6 Procedure for spreading
- 5.7 Shear bolt protection - Impeller
Shear bolt protection - Auger
- 5.8 Auger reversing system
- 5.9 The "Drop-Down" impeller and "Anti-Drip" tray
- 5.10 "Spring-Back" paddles
- 5.11 Spread pattern

Section 6 ADJUSTMENTS AND MAINTENANCE

- 6.1 Setting impeller position and adjusting impeller blade position
- 6.2 Drive chain tensioning
- 6.3 Shearbolts
- 6.4 Changing the auger speed sprocket
- 6.5 Washing down the Powerspread
- 6.6 Tyre pressures
- 6.7 Hardware and fixings

Section 7 LUBRICATION

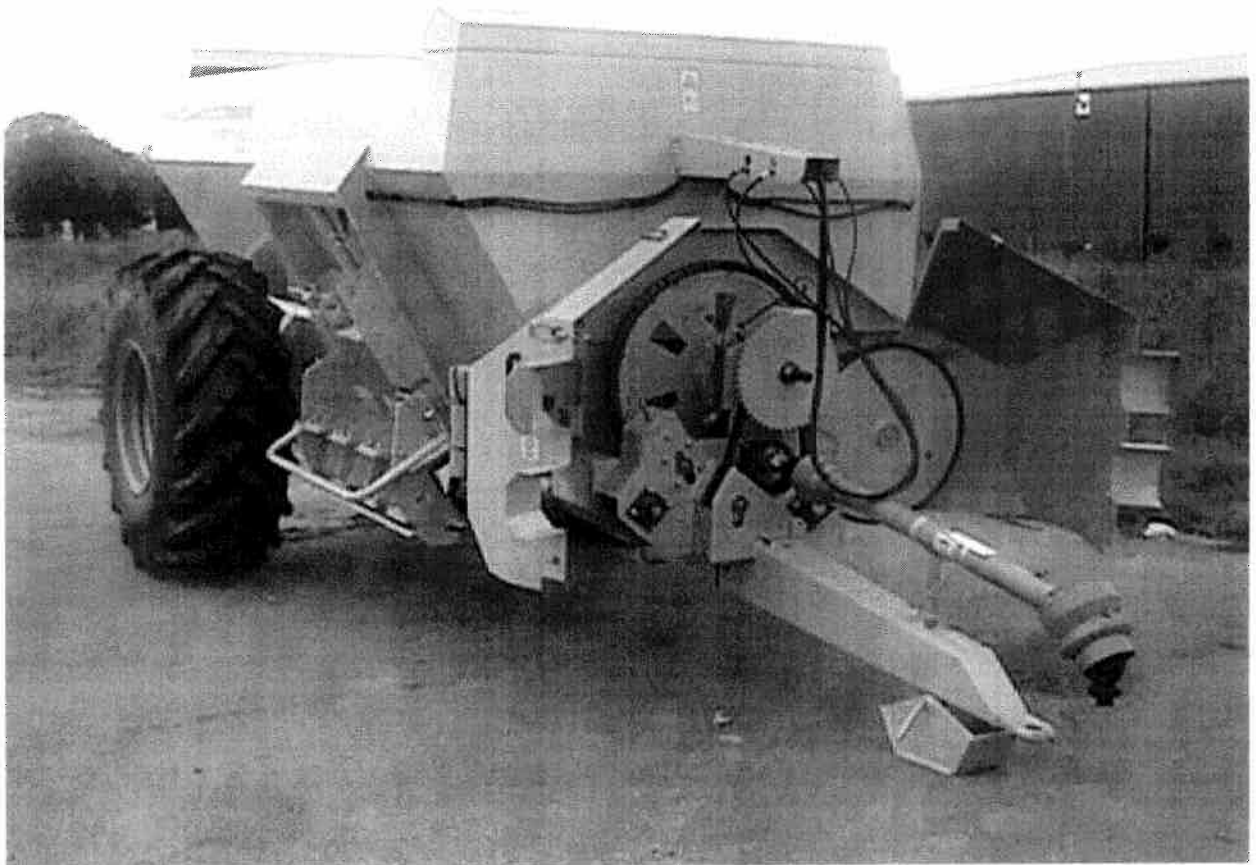
Section 8 PARTS LISTING

1.1 FOREWORD

This manual will assist the operator to set, operate and service the Shelbourne Reynolds Powerspreads Contractor to give safe, efficient and optimum spreading throughputs. It should be read carefully before putting the machine to work. Later sections illustrate and list all relevant spare parts.

The range consists of a 7.25m³, 10.25m³ & 13m³ models, all designed to spread different types of material from thin slurry, to the heaviest farmyard manure.

As with all machinery, routine maintenance is a necessary condition for long life and it will repay the operator to read this manual and to follow the operating and maintenance instructions carefully.



1.2 IMPROVEMENTS AND CHANGES

Shelbourne Reynolds Engineering are continually improving their products to meet the farmers needs and therefore reserve the right to make improvements and changes when practical to do so, without incurring any obligation to make changes and additions to equipment which has been sold previously.


1.3 SERVICE PARTS

Use guaranteed and genuine Shelbourne Reynolds Engineering service parts on Shelbourne Reynolds machinery to ensure maximum life and best performance. These are available through your Shelbourne Reynolds Engineering dealer.

When ordering service parts always quote the model, serial number and machine number.

1.4 MACHINE IDENTIFICATION

The serial and machine numbers of the Powerspread Contractor spreaders are printed on a plate located on the left hand side of the machine.

<i>Shelbourne</i> REYNOLDS			
MACHINE No.	<input type="text"/>	SERIAL No.	<input type="text"/>
MAX GROSS WEIGHT	<input type="text" value="Kg"/>	UNLADEN WEIGHT	<input type="text" value="Kg"/>
DRAWBAR MAX LOAD	<input type="text" value="Kg"/>	YEAR	<input type="text"/>
	SHELBOURNE REYNOLDS ENGINEERING LTD STANTON, SUFFOLK, IP31 2AR, ENGLAND		

1.5 SHELBOURNE REYNOLDS ENGINEERING LTD - WARRANTY TERMS AND CONDITIONS TO THE PURCHASER

GENERAL

1. This warranty will become available to you when you have paid for the equipment and returned, duly completed, the delivery and warranty registration forms. It will expire on the anniversary of purchase from the dealer. After that date Shelbourne Reynolds will have no further liability under this Warranty to you except in respect of claims already notified. This warranty is not transferable and is available only to the original purchaser from our dealer. In the case of purchasers having leasing or similar arrangements the first user shall be deemed the original purchaser and you shall be deemed to have paid for the equipment.

USE AND MAINTENANCE

2. To maintain the benefit of the warranty throughout the twelve-month period you must have the machine serviced in accordance with our recommendations and use the machine properly. If on inspection the machine appears to have been either misused, overloaded, improperly operated, neglected, not properly maintained, altered or repaired without our consent this will invalidate the warranty. We shall have no further liability under it to you at all. (If you require any guidance as to use you should contact the dealer.)
3. Our liability under this warranty is dependent upon your making the equipment and facilities available, for inspection and testing.
4. In this warranty the expression, "defective product" means any part of the equipment you have purchased which shows evidence of a defect in the materials, design (due regard being given for the state of the art at the time we designed it) or Shelbourne Reynolds' workmanship.

Wearing parts, such as chain tension blocks, are excluded. Parts not manufactured by Shelbourne Reynolds, for example wheels and tyres, are also excluded.

OUR OBLIGATIONS

5. If you discover a defective product you should contact the dealer from whom your machine was purchased. The dealer will notify us of your claim. Our obligation will then be to either replace, or if we consider it appropriate, repair the defective product. Alternatively, we may arrange for our dealer to carry out this work. **YOU MUST NOTIFY THE DEALER OF THE DEFECT WITHIN SEVEN DAYS OF THE DAY ON WHICH IT IS DISCOVERED AND YOU MUST NOT USE THE EQUIPMENT AFTER DISCOVERY. FAILURE TO OBSERVE EITHER OF THESE OBLIGATIONS WILL INVALIDATE THE WARRANTY AS IS APPLIES TO THAT DEFECT.** Any defective products replaced must be returned to SRE for inspection.

NO ADMISSION

6. On occasions we may, to preserve goodwill, replace parts even though they are not in our opinion defective. Accordingly, our agreeing to repair or replace a part cannot in any circumstance be deemed an admission that it was defective.

LIMITATIONS

7. This warranty shall not apply to products made up in accordance with customer originated designs.
8. No warranty, condition or other term implied by statute or common law as to the merchantability or fitness for a particular purpose, is intended or given by this warranty. All such warranties which may apply between Shelbourne Reynolds and yourself are excluded to the fullest extent permitted by law.
9. In any case, except in respect of death or personal injury caused by our negligence. We shall not be liable to you by reason of any representation or implied warranty, condition or other term, or any duty at, law or under the express terms of any contract, for the consequential loss or damage (whether for loss or profit or otherwise and including delay in field work, expense incurred for labour, additional or substitute material, rental whatsoever and whether caused by our negligence, the negligence of our employees or agents or otherwise). Which arises out of or in connection with the use of the goods by you.
10. Time of repair is not of the essence.
11. No person or persons are authorised to alter, modify or enlarge this warranty on behalf of Shelbourne Reynolds.
12. Shelbourne Reynolds shall not be liable for any failure to comply with any part of the warranty where such failure is due to circumstances beyond their reasonable control, including difficulty in obtaining materials or replacement parts.

CALL OUT CHARGES

13. Shelbourne Reynolds and all dealers reserve the right to make a reasonable charge for call outs made at your request which do not turn out to relate to defective products.

IMPORTANT NOTES

14. The chassis and wheel equipment are designed to carry the maximum load of the model of Powerspread supplied; as stated on the specification plate. The fitting of "greedy boards" around the top of the hopper which enable weight loadings in excess of those specified will invalidate the warranty and Shelbourne Reynolds liability.

YOUR STATUTORY RIGHTS ARE UNAFFECTED.

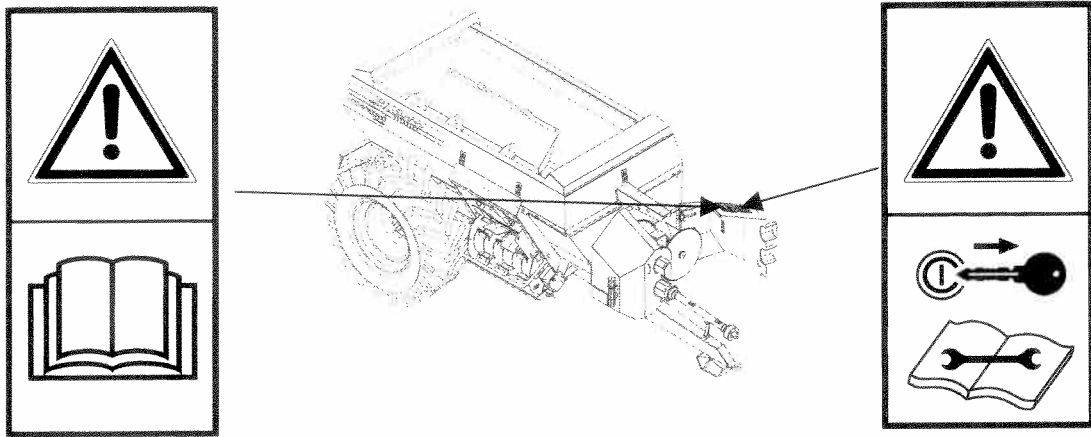
SECTION 2:

SAFETY PROCEDURES

The following safety instructions are applicable for all chapters of this manual.

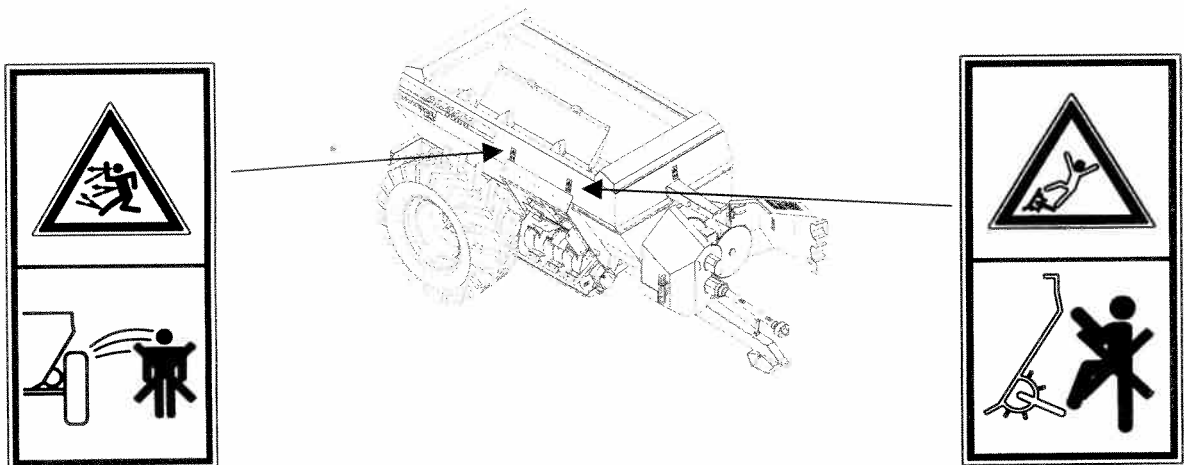
DANGER SYMBOLS

On the machine - the following symbols appear on the machine and are for your safety and the safety of other people. Ensure that you identify each symbol and understand it's warning



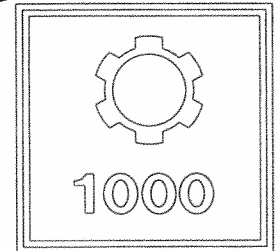
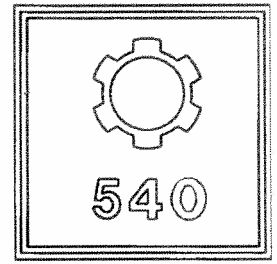
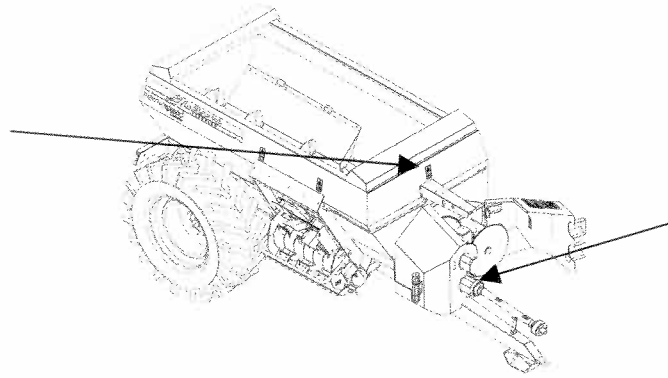
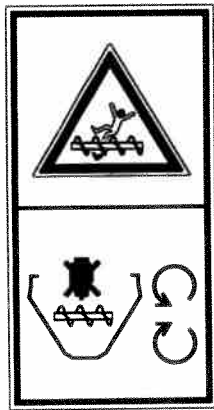
Carefully read the operating manual before handling the machine.

Stop the engine and remove the key from the tractor before carrying-out any work on the machine.



Beware of rotating auger. Do not reach Or lean into tub. Do not attempt to clear a blockage when the tractor engine is Running. Serious injury may result from falling into the tub with auger rotating.

Ensure that there are no persons standing in the vicinity of the machine when the tractor engine is running. Serious injury may result from rotating parts and flying objects.



Do not use safety rail on the impeller as a step. Serious injury may result from slipping or falling into the impeller.

The rotational speed of the PTO drive shaft must not be greater than the speed stated, this will be either 540 or 1000rpm, Depending on the driveline. chosen on purchase.

PRECAUTIONS

Accident programmes can only prevent accidents with the co-operation of the persons responsible for the operation of the equipment.

For the safety of others, operate equipment with care and do not take unnecessary risks which could cause an accident.

The tractor manufacturers operator manual safety precautions should be adhered to along with the following additional safety precautions listed when using a **Shelbourne Reynolds Powerspread**.

CAUTION



In addition to the following list, this symbol will appear throughout this manual whenever your safety, the safety of others or the machinery, is involved.

Please read all safety instructions contained in this operating manual with the utmost care and also observe all warning signs attached to the Powerspread. These warning signs must be kept in a legible condition and must be replaced if missing or damaged. This is especially the case when whole sections are replaced when making repairs. Warning signs are available from your dealer or importer.

Follow these instructions to prevent accidents. These instructions must also be made available to all other users. You are advised to refrain from any working methods which may be hazardous.

PROPER USE

Shelbourne Reynolds Powerspreads are based on state-of-the-art technology and are manufactured in accordance with recognised safety requirements. Nevertheless the use of the Powerspread does not preclude the risk of injury to the user or third parties and/or the risk of damage to the Powerspread itself or to other materials or items of equipment.

Always make sure that the Powerspread is in a technically perfect condition and that it is used properly and for its intended purpose and entirely in accordance with the instructions given in this manual. Any malfunctions or defects which, might affect the safe operation of the Powerspread must be immediately eliminated.

The Powerspread must be used, maintained and repaired only by persons who are familiar with its working and have been made fully conversant with the risks involved.

OEM replacement parts and accessories from Shelbourne Reynolds have been specially designed for use with the Shelbourne Reynolds Powerspread. Any replacement parts and accessories not supplied by Shelbourne Reynolds have not been tested and approved by us. The installation and/or the use of non-Shelbourne Reynolds products may under certain circumstances have a negative influence on the given design features of your Powerspread and may therefore adversely affect its safe and reliable operation and your safety. Shelbourne Reynolds cannot therefore be held liable for damage or injury caused by the use of non-OEM replacement parts or accessories.

The Shelbourne Reynolds Powerspread is intended for use on typical farms and to be employed in spreading many types of manure from thin slurry to heavy farmyard manure. Any uses other than those for which the Powerspread is intended, such as transportation, will automatically exempt Shelbourne Reynolds or the supplier from its/his liability in respect of ensuing damage. Such cases of improper use will therefore be entirely at the user's own risk.

All relevant accident prevention regulations, as well as other generally acknowledged health and safety regulations and road traffic regulations must be strictly observed.

Improper use also comprises failure to observe the instructions given in this operating manual and the manufacturer's maintenance and servicing requirements.

OPERATIONAL SAFETY

The Powerspread must not be put into operation until the user has been given proper initial instructions either by the dealer or by one of Shelbourne Reynolds' representatives or employees.

The Powerspread may be used only if all safety devices, e.g. detachable guards, are fitted and in proper working order.

Nuts and bolts should be checked at regular intervals and tightened if necessary.

Tyre pressures must also be checked regularly.

In the event of a malfunction, immediately cease operation and secure the Powerspread in its stationary position. Malfunctions must be eliminated immediately.

No liability for consequential damage

Even though your Shelbourne Reynolds Powerspread has been manufactured with the utmost care and you are using it properly, fluctuations and interruptions in feed rate may still occur.

It is the duty of the operator/user to ensure that foreign objects, e.g. stones, metal objects etc. are not allowed to enter the machine and are not allowed to be discharged by the impeller. The Powerspread impeller propels the muck at high speed to obtain its spread pattern. Failure to observe this may result in damage to the Powerspread and/or injury to the operator/user and/or damage to property.

Any claims for damages not directly incurred by the Powerspread cannot be accepted. By the same token, Shelbourne Reynolds cannot be held liable for any consequential damage resulting from incorrect use of the Powerspread.

ROAD SAFETY

UK road traffic regulations must be observed when towing the Powerspread on roads, paths and other public places. (Relevant areas are stated overleaf).

The Powerspread must be in a road-worthy condition.

Observe the maximum permissible width for road transport and fit all necessary rear lights, warning signs and guards. Disconnect the electrical supply when fitting.

Disconnect all hydraulic connections and the PTO driveshaft from the Powerspread so that it cannot be inadvertently operated.

Ensure that all braking systems and lighting systems are in full working order and that they can be fully and correctly operated by the vehicle towing the Powerspread.

Observe the maximum permissible axle loads, the load bearing capacity of the tyres and the maximum total weights in order to ensure adequate steering and braking. The behaviour of the tractor is also influenced by attached implements. Take the width and the towing hitch weight into consideration, especially on sharp bends.

No person may be allowed to ride on the Powerspread.

Relevant UK road traffic regulations

UK road traffic regulations state that the maximum weight bearing down on a single axle is limited to 9200kg. On the tandem axle model the limit is 14230kg – The weights stamped on the machines identification plate will ensure this figure is not exceeded, and must be adhered to if the machine is to be taken on public roads.

On all Powerspread models, the road speed must not exceed 20 mph. It is illegal to tow an implement on a public highway, weighing more than 3500kg at speeds in excess of 20 mph, unless the drawing vehicle and implement has all axle suspension, and ABS brakes fitted.

No more than 35% of the machines weight shall be borne by the drawing vehicle– The weights stamped on the machines identification plate will ensure this figure is not exceeded, and must be adhered to if the machine is to be taken on public roads.

Brakes controlled by the tractor / drawing vehicle should be fitted to a machine of over 3500kg

2.1 ACCIDENT PREVENTION

Careful heed must be paid not only to the safety instructions contained in this operating manual but also to the accident prevention regulations governing the operation of agricultural machinery.

When coupling the Powerspread to the tractor

The work of coupling and uncoupling the Powerspread involves a high risk of injury. The following instructions must therefore be carefully observed:

- Secure the Powerspread in such a way that it is on level ground and cannot roll forwards or backwards.
- Slowly reverse the tractor towards the Powerspread - always ensure that there are no other persons in the vicinity of the Powerspread or the tractor.
- Connect the Powerspread to the tractor hitch using only the method recommended in the tractor's operators manual.

When using the PTO shaft

Use only the universal joint shaft, which is supplied with the Powerspread and is intended for use with the Powerspread. Ensure that it is fitted with the prescribed protective equipment (protective tube and funnel-shaped PTO shaft guard must be fitted). Make sure that the tractor engine and the PTO shaft are switched off before proceeding to fit the universal joint shaft.

Make sure that the tubes overlap by the prescribed distance in both straight-ahead and in turning positions and are secured in such a way that they cannot rotate with the shaft.

Be absolutely sure that there is nobody standing in dangerous proximity to the Powerspread when you switch on the PTO shaft.

The PTO shaft speed of the tractor must correspond with the maximum permissible rotational speed of the Powerspread. The angle of attachment will depend on the type of PTO shaft and on the type of tractor hitch. Always switch off the PTO shaft if the angle of divergence is excessive or whenever the PTO shaft is not required.

When using the hydraulic system

Do not connect the hydraulic hoses to the tractor's hydraulic system until you have made sure that the system is at zero pressure on both the tractor and the equipment. The hydraulic system generates extremely high pressures. All piping, hoses and connections must therefore be checked regularly for leakage and visible external damage. Use proper and thorough means of searching for leakage and repair all damage immediately. Spurting hydraulic oil can cause injuries and fires. Call a doctor immediately in the event of injury. In order to exclude the possibility of incorrect connection, all mating plugs and sockets belonging to the hydraulic connections between the tractor and the Powerspread should be marked with matching colours.

2.2 BEFORE STARTING THE MACHINE

1. Read the manuals thoroughly.
2. Check that all guards are properly secured.
3. Ensure that no person is working on or inside the machine.
4. Check that all observers are clear of the machine.

2.3 THE MACHINE IN THE FIELD

5. Do not permit anyone to ride on the Powerspread or climb on the machine when the spreader is in operation.
6. Always stop the engine and apply the handbrake on the tractor before removing or opening any guards or clearing a blockage in the spreader.
7. NEVER allow anyone to walk alongside the right hand side of the machine whilst operating as injury from flying objects may occur.
8. Be aware that small stones and other similar hard objects can be thrown further than manure. Care should be taken when working near highways, public footpaths, buildings, etc...
9. Always replace all guards after making any adjustments or lubricating the machine. Replace or repair any damaged or missing guards immediately.
10. Do not work around the machine in loose clothing that might get caught in moving parts.
11. Keep hands away from moving parts.
12. Keep children away from and off the machine at all times.

2.4 LEAVING THE MACHINE

13. Park the machine on reasonably level ground.
14. Apply the tractor's parking brake.
15. Stop the tractor's engine before leaving the cab.
16. When unhooking the spreader apply the machine's parking brake before moving the tractor away.
17. Position the PTO shaft on the stand provided and locate the hydraulic hoses in the hose parking station on the front of the machine.

2.5 SERVICING THE POWERSPREAD

18. Stop tractor engine and apply handbrake before performing any adjustments or lubrication and before opening or removing any guard.
19. Always re-install all safety guards on completion of servicing.

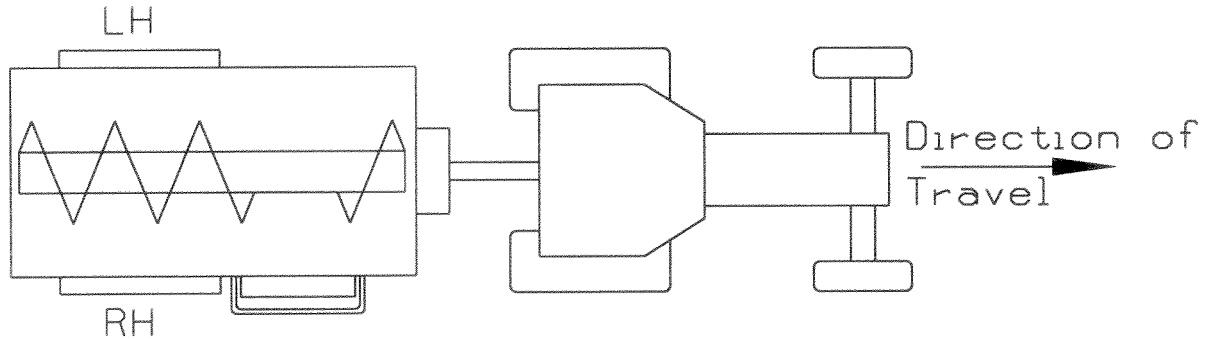
2.6 SPREADER ATTACHMENT AND TRANSPORTATION

20. Follow the procedure described further through this manual for spreader attachment and detachment.
21. Follow the section on loading the Powerspread and **ENSURE THAT THE MACHINE IS NOT OVERLOADED**. The specification plate on the left hand side of the machine will state the safe maximum working weights and loads.
22. When towing the loaded Shelbourne Reynolds Powerspread on the highway, ensure that material cannot over-flow or spill out of the hopper.
23. When towing the machine, ensure that the P.T.O. shaft and hydraulic hoses are attached correctly, and do not interfere with the ground or foul any moving parts

SECTION 3

SPECIFICATION AND DESCRIPTION

RIGHT AND LEFT HAND OF THE MACHINE AS TERMED IN THE MANUAL IS AS VIEWED WHEN IN THE DRIVERS SEAT.



THE SHELBOURNE REYNOLDS POWERSPREAD Contractor

FEATURES

Shearbolt protected chain drive

Patented centre discharge auger provides boiling movement of manure.

Shearbolt protected spring-back paddles

Vertical centre lift door.

Overshot impeller.

Impeller can pivot away from door.

BENEFITS

For maximum protection of the drives.

High rates of discharge and material well broken up in hopper.

Maximum protection against stones and foreign objects.

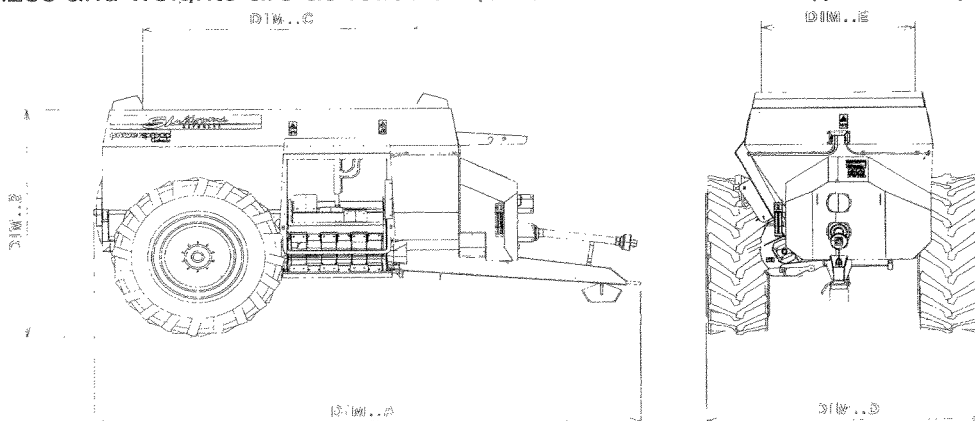
Allows an even discharge of manure at any door setting, utilising the total impeller width.

Provides a fine even spread at widths of up to 18 metres.

Allows full access to door for easy removal of large stones and obstructions.

TECHNICAL SPECIFICATIONS (Single axle):

Sizes and weights are as follows:- (all dimensions and weights are approximate)



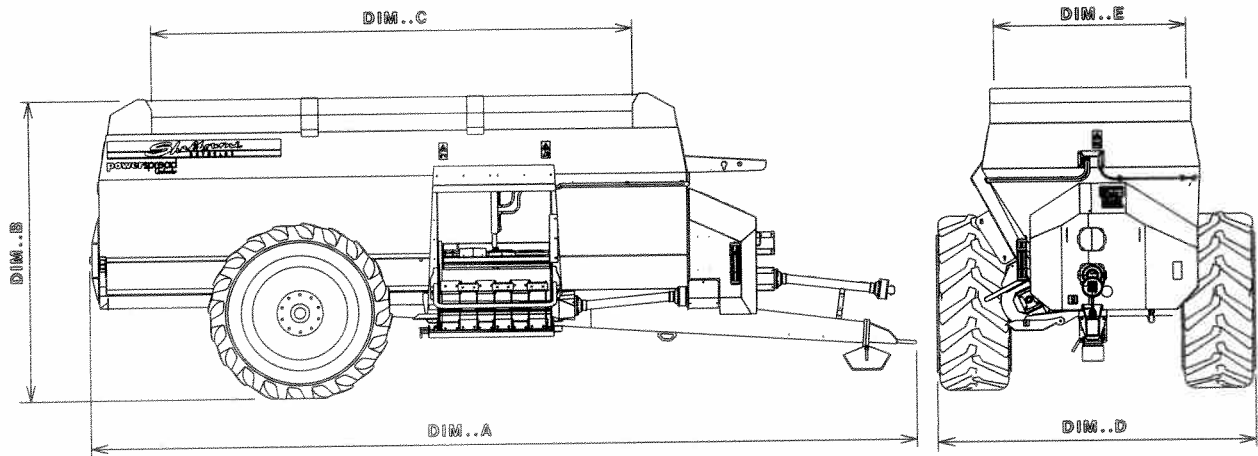
	1600	1800	2000
Capacity/ Level	7250 litres 1600 gallons (UK) 1900 gallons (US)	8000 litres 1800 gallons (UK) 2100 gallons (US)	9000 litres 2000 gallons (UK) 2400 gallons (US)
Volume / Level	7.25 m ³ (256 ft ³)	8.00 m ³ (283 ft ³)	9.00 m ³ (318 ft ³)
Length (A)	5770mm (227")	5770mm (227")	5770mm (227")
Width (D)	2737mm (108")	2737mm (108")	2737mm (108")
Loading height (B)	2380mm (94")	2532mm (100")	2685mm (106")
Opening length (C)	2808mm (110")	4260mm (192")	4260mm (168")
Opening width (E)	1560mm (61")	1560mm (61")	1560mm (61")
Tyre size	23.1-R26	23.1-R26	23.1-R26
PTO speed	540rpm or 1000rpm	540rpm or 1000rpm	540rpm or 1000rpm
Recommended size of tractor	70-90hp	70-90hp	70-90hp
Unladen weight	3520kg (7760 lbs)	3565kg (7861 lbs)	3620kg (7982 lbs)
Gross weight	9920kg (21874 lbs) 10520kg (23197 lbs)	9965kg (21973 lbs) 11215kg (24729 lbs)	10020kg (22094 lbs) 12120kg (26725 lbs)
Unladen Drawbar weight	890kg (1962lbs)	898kg (1980 lbs)	908kg (2002 lbs)
Max Axle weight	7887kg (17391 lbs) 8380kg (18478 lbs)	7924kg (17472 lbs) 8951kg (19737 lbs)	7969kg (17572 lbs) 9694kg (21375 lbs)
Max Drawbar weight	2033kg (4483 lbs) 2140kg (4719 lbs)	2041kg (4500 lbs) 2264kg (4992 lbs)	2051kg (4522 lbs) 2426kg (5349 lbs)
Spread width	up to 18 m	up to 18 m	up to 18 m
Door size	995mm	995mm	995mm
Door operation	Double acting hydraulic ram	Double acting hydraulic ram	Double acting hydraulic ram
Max road speed	20mph (32km/h)	20mph (32km/h)	20mph (32km/h)

Note: All weights & other data are approximate.

- **Weights in bold text and a 20mph (32km/h) speed limit must not be exceeded if the machines are to be taken on public roads. These weights are derived due to the maximum carrying capacity of the tyres at 20mph (32km/h).**
- Increased weights are for field use only (max speed 10km/h). They are derived from the maximum weights you can physically put into the machine, (figures based on manure being no heavier than 850kg/m³).

TECHNICAL SPECIFICATIONS (Single axle):

Sizes and weights are as follows:- (all dimensions and weights are approximate)



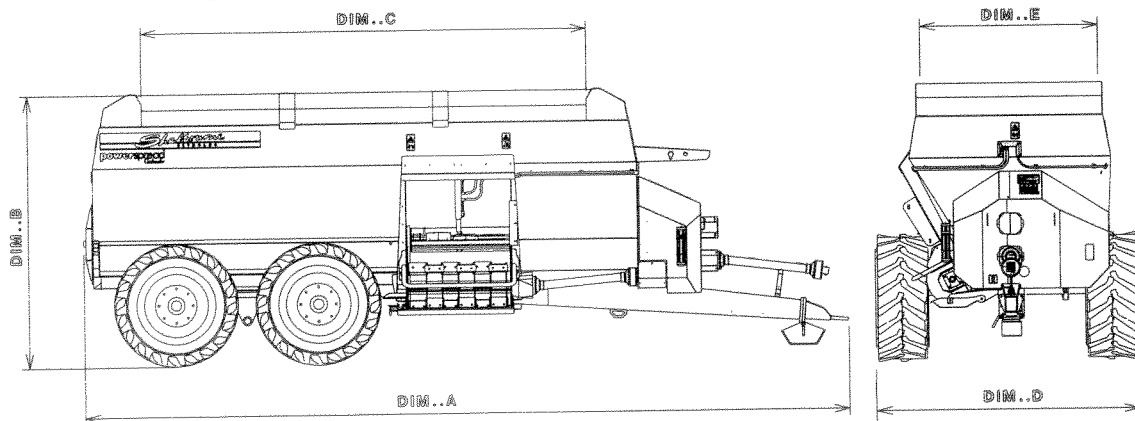
	2200	2500	2800
Capacity/ Level	10250 litres 2200 gallons (UK) 2700 gallons (US)	11250 litres 2500 gallons (UK) 3000 gallons (US)	12750 litres 2800 gallons (UK) 3400 gallons (US)
Volume / Level	10.25 m ³ (362 ft ³)	11.25 m ³ (397 ft ³)	12.75 m ³ (460 ft ³)
Length (A)	7356mm (290")	7356mm (290")	7356mm (290")
Width (D)	2800mm (110")	2800mm (110")	2800mm (110")
Loading height (B)	2400mm (94")	2552mm (100")	2705mm (106")
Opening length (C)	4398mm (173")	4260mm (168")	4260mm (168")
Opening width (E)	1560mm (61")	1560mm (61")	1560mm (61")
Tyre size	650/65R30.5	650/65R30.5	650/65R30.5
PTO speed	540rpm or 1000rpm	540rpm or 1000rpm	540rpm or 1000rpm
Recommended size of tractor	120hp UPWARDS	120hp UPWARDS	120hp UPWARDS
Unladen weight	4440kg (9790 lbs)	4525kg (9978 lbs)	4610kg (10167 lbs)
Gross weight	11990kg (26438 lbs) *14315kg (31565lbs)	12075kg (26625 lbs) *15250kg (33626 lbs)	12160kg (26813 lbs) *16610kg (36625lbs)
Unladen Drawbar weight	1030kg (2271lbs)	1043kg (2300 lbs)	1056kg (2329lbs)
Max Axle weight	9986kg (22019 lbs) *11467kg (25285 lbs)	10058kg (22178 lbs) *12389kg (27318 lbs)	10130kg (22337 lbs) *13736kg (30288 lbs)
Max Drawbar weight	2204kg (4860 lbs) *2848kg (6280 lbs)	2217kg (4888 lbs) *2861kg (6309 lbs)	2230kg (4917 lbs) *2874kg (6337lbs)
Spread width	up to 18 m	up to 18 m	up to 18 m
Door size	995mm	995mm	995mm
Door operation	Double acting hydraulic ram	Double acting hydraulic ram	Double acting hydraulic ram
Max road speed	20mph (32km/h)	20mph (32km/h)	20mph (32km/h)

Note: All weights & other data are approximate.

- **Weights in bold text and a 20mph (32km/h)-speed limit must not be exceeded if the machines are to be taken on public roads. These weights are derived due to road regulations stating that the weight at the wheels must not exceed 10170kg on a single axle.**
- Increased weights are for field use only (max speed 10km/h). They are derived from the maximum weights you can physically put into the machine, (figures based on manure being no heavier than 850kg/m³).

TECHNICAL SPECIFICATIONS (Tandem Axle):

Sizes and weights are as follows:- (all dimensions and weights are approximate)



	2200	2500	2800
Capacity/ Level	10250 litres 2200 gallons (UK) 2700 gallons (US)	11250 litres 2500 gallons (UK) 3000 gallons (US)	12750 litres 2800 gallons (UK) 3400 gallons (US)
Volume / Level	10.25 m ³ (362 ft ³)	11.25 m ³ (397 ft ³)	12.75 m ³ (460 ft ³)
Length (A)	7356mm (290")	7356mm (290")	7356mm (290")
Width (D)	2505mm (99")	2505mm (99")	2505mm (99")
Loading height (B)	2350mm (93")	2502mm (99")	2654mm (105")
Opening length (C)	4398mm (173")	4260mm (168")	4260mm (168")
Opening width (E)	1560mm (61")	1560mm (61")	1560mm (61")
Tyre size	500/60-22.5 16ply	500/60-22.5 16ply	500/60-22.5 16ply
PTO speed	540rpm or 1000rpm	540rpm or 1000rpm	540rpm or 1000rpm
Recommended size of tractor	120hp UPWARDS	120hp UPWARDS	120hp UPWARDS
Unladen weight	5470kg (12061lbs)	5555kg (12249 lbs)	5640kg (12436 lbs)
Gross weight	15345kg (33836 lbs)	16280kg (35897 lbs)	17640kg (38896 lbs)
Unladen Drawbar weight	1890kg (4167lbs)	1907kg (4205 lbs)	1924kg (4242 lbs)
Max Axle weight	11063kg (24394 lbs)	11981kg (26418 lbs)	13324kg (29768 lbs)
Max Drawbar weight	4282kg (9442 lbs)	4299kg (9480 lbs)	4316kg (9517lbs)
Spread width	up to 18 m	up to 18 m	up to 18 m
Door size	995mm	995mm	995mm
Door operation	Double acting hydraulic ram	Double acting hydraulic ram	Double acting hydraulic ram
Max road speed	20mph (32km/h)	20mph (32km/h)	20mph (32km/h)

Note: All weights & other data are approximate.

- Unlike the single axle option, tandem axle models can be taken fully loaded on the public highway (12000kg max load).
- (A speed limit of 20mph (32km/h) will still apply due to road regulations)

OPTIONAL EXTRAS

Brake relief kit (for use when brakes are not connected direct to tractor brake line
i.e. when brakes are connected into tractor spool valves) See section 4.4

Bearing grease bank kit

Choice of draw bar hitch

Parking jack kit

Extension side kit option

Choice of PTO drive kit 540 or 1000 RPM

Slurry canopy option

SECTION 4

TRANSPORT AND ATTACHMENT

4.1 ATTACHING SPREADER TO TRACTOR

The Powerspread can be supplied with a US, flat continental or UK drawbar hitch. It is recommended though, due to the high drawbar loading, that the machine should only be used on the automatic pick up hitch of the tractor.

An option of a parking jack or a detachable shoe, fitted to the underside of the drawbar is supplied with the machine. This enables the automatic pick up hitch hook to easily move under the drawbar lug when attaching the spreader.

The PTO is equipped with a standard 1 3/8" six spline suitable for all 540rpm tractor PTO shafts or a 1 3/4" 20 spline suitable for 1000 rpm tractor PTO shafts. The length of shaft may have to be adjusted to cater for your particular tractor/Powerspread combination.

With the Powerspread attached to the tractor and parked in the straight-ahead position, slide the PTO shaft apart and connect the respective ends to the tractor and Powerspread.

Lay the shafts side by side and make sure they have at least 150mm of distance between the end of the shaft and the adjacent joint.

Shaft lengths can be adjusted by sawing off equally a proportion of tube from the inner and outer PTO tube together with a corresponding amount off the plastic protection tubes. The tubes should always have at least 300mm overlap whilst operating.

If necessary check the length of the shafts by steering the tractor into a full lock in one direction and seeing that the shafts do not "bottom."

Make sure the correct tractor P.T.O. speed is selected at all times. Ensure that the tractor link arms do not foul the P.T.O.

4.2 CONNECTING THE DOOR RAM HYDRAULIC HOSES

The hydraulic hoses are fitted with 1/2" quick release coupling ends as standard, and the Powerspread requires a double acting supply to raise and lower the discharge door.

If couplings are not compatible, change to suitable connections for the required application. If the tractor is fitted with a flow control valve, adjust to minimum flow rate.

Having pushed the hose ends into the tractor spool valves, ensure that the hoses do not hang down and obstruct the tractor lift arms or any moving parts.

4.3 CONNECTING THE BRAKE HYDRAULIC HOSE

The Powerspread flexible hydraulic brake pipe is fitted with a quick release female coupling to suit the ISO standard tractor brake system.

Having pushed the hose end into the tractor spool valve, ensure that the hose does not hang down and obstruct the tractor lift arms or any moving parts.

4.4 THE POWERSPREAD BRAKING SYSTEM AND HANDBRAKE

In order to comply with the Health & Safety Executive code of practice on trailer braking together with the Construction and Use Regulations, the Powerspread is fitted with brakes, which must be coupled to the tractor when travelling.

Ideally the spreader should be connected directly to the tractor braking system, as will be the case on all modern tractors. However, earlier tractors without this facility can be fitted with a trailer braking kit, which enables this direct connection to be made. This ensures that when the tractor brakes are applied, the brakes on the Powerspread are also brought into operation, usually slightly in advance of the tractor brakes.

IMPORTANT NOTE

A Shelbourne Reynolds brake relief kit must be used if the brakes are to be operated through the spool valves at the rear of the tractor due to the excessive pressures released by the valves.

(The part number of this kit is KIT-02602)

AT ALL TIMES WHEN THE MACHINE IS IN MOTION, EITHER TRAVELLING OR WORKING, THE HYDRAULIC BRAKE LINE MUST BE CONNECTED.

The parking brake is applied by pulling the lever towards the tractor. WHEN THE MACHINE IS TO BE DISCONNECTED FROM THE TRACTOR THE PARKING BRAKE MUST BE APPLIED BEFORE DISCONNECTION, EVEN ON LEVEL GROUND. The parking brake must be released prior to towing the machine, after re-connection to the tractor.

When the machine is attached to the tractor the cable must be connected between the tractor and the parking brake lever such that, should the machine become inadvertently detached from the tractor, the spreader brakes would be automatically applied. Similarly, when detaching from the tractor, ensure that the brake hose and other hydraulic hoses are pushed into the hose parking station. Also, make sure the PTO is supported on the stand provided on the drawbar.

OPERATING THE SHELBOURNE REYNOLDS POWERSPREAD.

Read this manual carefully before operating the spreader in the field. To get optimum performance from your Shelbourne Reynolds Powerspread the operator should keep to the following procedures of operation.

5.1 GENERAL

The machine is designed to run at 540 or 1000 rpm PTO speed. Although the correct drive kit must be fitted to operate at each speed. Spreading should be done in straight line bouts, avoiding spreading while turning corners as this will cause vibration in the PTO drive.

5.2 LOADING THE POWERSPREAD

Always close the door before loading the Powerspread.

All free flowing muck/slurry must not be overfilled or the material will be discharged over the side during transport.

If thin slurries are to be spread, then the correct setting of the discharge deflectors above the door is required. (See settings for deflector paddles - Section 5.11)

When travelling on the highway the Powerspread should not be overloaded and when carrying thin slurries allow sufficient room at the front of the spreader to prevent "forward surge" and consequent over-spill if emergency braking should be required.

While loading dry straw or clamp manure precautions should be taken if large slabs or lumps, particularly from the front of feeding troughs, are encountered. Always endeavour to slide these down the side into the hopper and do not position them directly onto the top of the auger as this may cause bridging and will prevent an even spread pattern.

When clearing stockyards the areas around the feed troughs will be compacted and so breaking up the manure with the loader forks will speed up the spreader discharge rates.

In order to achieve higher discharge rates when spreading unrotted, compressed material, the material should be broken up when loading into the machine. The use of grab-buckets should be avoided; always use manure forks.

5.3 DISCHARGE RATE

The machine is designed with three easily interchangeable auger speed options of 3.6, 8.7 and 13rpm for the 540rpm drive options, and two auger speeds of 7 & 13rpm for the 1000 rpm PTO speed drive option. The 13rpm setting represent the optimum speed for the majority of different manure types. I.e. for spreading wet muck or slurry at high application rates. The slower 8.7rpm or 7rpm auger speed should be used for manure, which is, classed as fresh muck, and the 3.6rpm auger speed may be used where low application rates are required ie. for spreading fine chicken muck. The auger speed is reduced or increased by reversing the double sprocket and altering the chain lengths at the front of the drive line. (As shown in Section 6.4).

For a finely shredded spread with a low discharge rate the door opening will be small. The auger still transports the manure to the discharge position at the same speed though, and the resultant "bottle-neck" of material causes a "boiling up" effect. This helps break down the manure further before it is finally ejected onto the impeller blades and discharged.

The discharge or spread rate of the Powerspread depends very much on the type of material being spread. For a given material it will be found that there is an ideal door position for maximum throw of the material and maximum shredding of the manure. It is essential that the standard PTO speed of 540 rpm is maintained at all times and the discharge rate varied according to the door opening and the forward speed of the tractor. A further variant is the amount of overlap between each run which, in most cases, will average 6m (20ft).

5.4 FOREIGN OBJECTS

If during the spreading, a knocking sound is heard or sparks are seen coming from the impeller, then there will be a foreign object such as a stone in the machine. Open the discharge door wide to allow the object to be thrown out. If the object is not cleared, stop the machine and tractor and investigate.

5.5 DOOR OPENING

These are approx.. guide settings, but may vary to certain conditions i.e. grassland or arable land (see chart below)

DOOR HEIGHT	MANURE TYPE
5	Dry (Chicken muck)
4	
3	Medium (Fresh muck)
2	
1	Wet (Slurry)

5.6 PROCEDURE FOR SPREADING

Start with discharge door closed, engage PTO gently at low engine rpm's and gradually and positively bring up (540 or 1000 depending on drive kit fitted). At the same time move forward at the required speed and then immediately open the hydraulic door to the required position on the indicator. This position will depend on the type of consistency of the material being spread, and the operator's judgement of spread rate and pattern. Some materials will cause partial blockage of the discharge door,(also when the auger flights are not fully covered the discharge rate will reduce), therefore it may be necessary to increase the door opening for the last part of the load.

See notes in section 5.11 on spread pattern for adjustment of deflector paddles.

5.7 SHEAR BOLT PROTECTION

To prevent damage to the Powerspread by foreign objects, a shear bolt protection is provided on the impeller drive and on the auger drive.

IMPELLER SHEAR BOLT

If the impeller encounters an obstruction and shears a bolt, stop the tractor engine immediately. Disconnect the PTO shaft and clear the impeller area and remove the obstruction. Replace the shear bolt and reconnect the PTO before continuing to spread. The impeller shear bolts on the Powerspread are made from special material. Normal commercially available bolts are not suitable.

The shear bolts must be genuine Shelbourne Reynolds service parts. If not, the company will not consider any claim made under the warranty and no liability shall be attached to the company.

Powerspread impeller shear bolt part no. 605123 01

AUGER SHEAR BOLT

If the main auger encounters a considerable obstruction, then the shear bolt system will disengage the drive to the auger. The drive will still rotate the impeller but the auger rotation will stop.

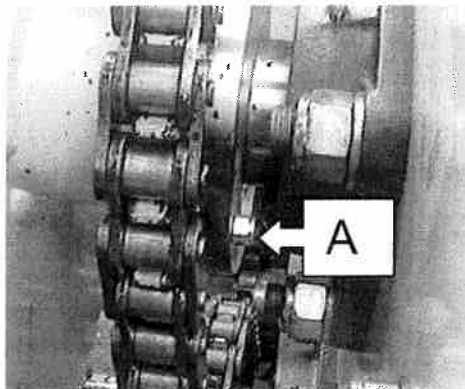
If this happens stop the tractor engine and remove all pieces of the broken shear bolt from it's hole in the drive sprocket and disc and fit the new shear bolt (fig 1). The auger may need to be reversed in order to restart the machine without braking another shearbolt as the original obstruction will still be present. (see section 5.8)

The auger shear bolts on the Powerspread are made from special material. Normal commercially available bolts are not suitable.

The shear bolts must be genuine Shelbourne Reynolds service parts. If not, the company will not consider any claim made under the warranty and no liability shall be attached to the company.

Powerspread auger shear bolt part. no. BLTA06264
nut part no. NUT-0260

The photograph Fig.1 shows the auger shear bolt (A).



5.8 AUGER REVERSING SYSTEM

If an obstruction is encountered which is large enough to continuously shear the auger shearbolt you can reverse the drive simply by moving the PTO shaft from the main drive shaft (B) to the reverser shaft (C) ; (See Fig.2)

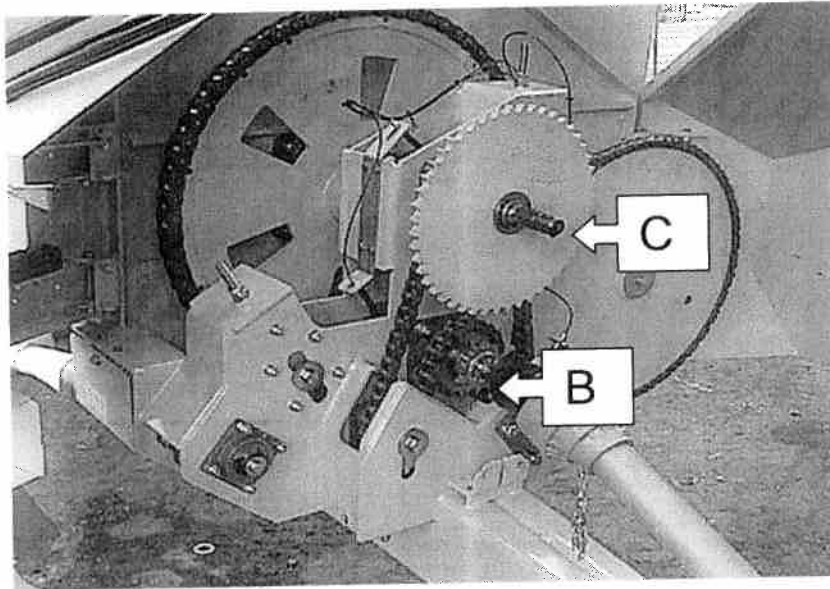


Fig.2

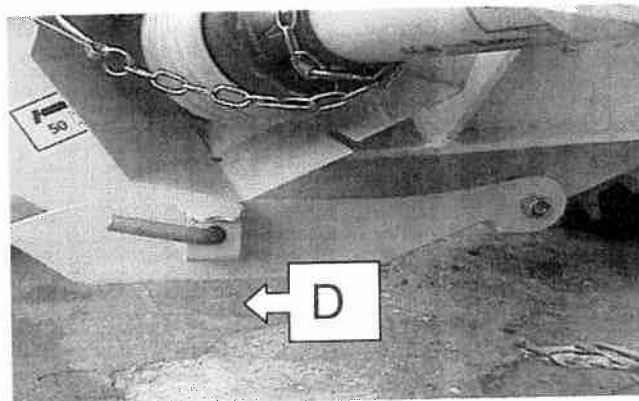
IMPORTANT: Reverse the main auger for a maximum of a 5 second period only. Then return the PTO shaft to drive shaft (B). A cushioned start-up for the tractor is created as the auger is allowed to build up momentum before it encounters the obstacle which initially broke the shear bolt. Serious damage **MAY** occur to the front and rear tub sheets of the Powerspread body if the reversing procedure is not followed, as manure will be compressed inside the machine.

5.9 DROP-DOWN IMPELLER

If an obstruction is encountered which is large enough to continuously shear the auger shear bolt then it must be removed through the door. Stop the tractor engine and remove the tractor PTO at the Powerspread end.

By lifting the door fully up, there may be enough distance between the impeller and the door to remove the offending object. If the gap is still not big enough then it is necessary to drop the impeller down away from the door area to gain access. The operation is easily done by following this procedure ; (See Fig.3)

Fig.3



- 1 Simply disengage the two locking handles (D), (see fig 3) one on either side of the drip tray and lock them in position
- 2 The drip tray will now drop away underneath; thus giving access to the impeller pivot bolts (A).
- 3 Loosen the two impeller pivot bolts (E); (See Fig.4)
- 4 Undo the four locking nuts on the impeller adjuster studs (F) ; (See Fig.5)
- 5 Loosen the two coach bolts (G) which clamp the impeller side plates to the side of the door opening; (See Fig.5)

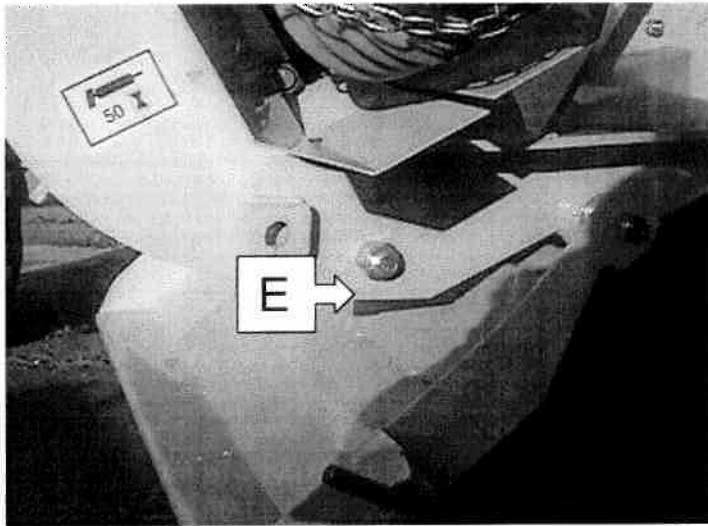


Fig 4

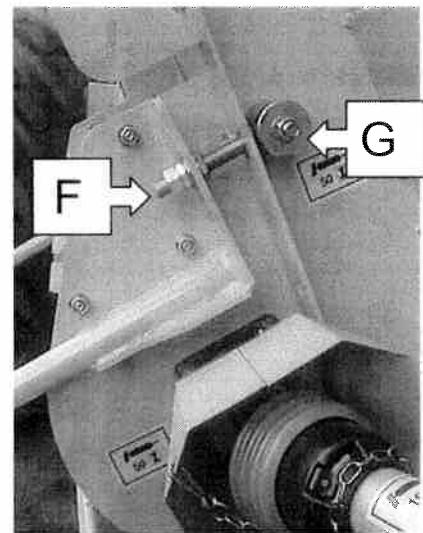


Fig.5

Safety Note :

The impeller is now free to pivot about the bottom two bolts (E) and so great care should be taken to lower the impeller down a suitable a spring system (H); (See Fig.6) is provided to assist with lifting and lowering the impeller.

- (6) Once supported in its lowered position the drop-down impeller will now allow access to the total area of the door to remove any offending obstacle or obstruction from the hopper.
- (7) Having removed the blockage, the reverse procedure must be followed to lift and set the impeller back in it's previous working position. See Section 6.1 for the correct setting.
- (8) Tighten up all bolts, which were loosened or removed.

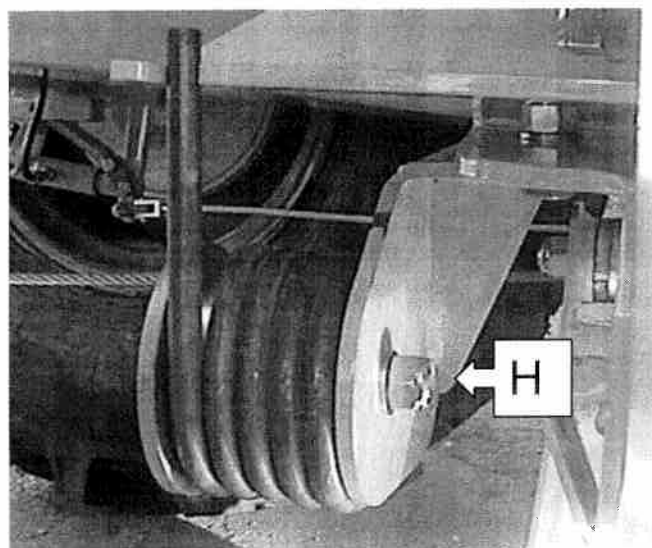


Fig.6

Occasionally check the machine for build up of foreign materials such as plastic baling twine wrapped around the auger core. Normally this cause no problems but should not be allowed to build up too much as it will impair the performance of the auger. From time to time cut the twine and remove it.

Always keep the side of the hopper clean, never allow a build up of material or this will obstruct the feed of material to the auger.

The Powerspread impeller is equipped with replaceable wear plates. Being double serrated edged, when one edge is worn the blades can be reversed.

5.10 "SPRING-BACK" PADDLES

The Powerspread is fitted with "spring-back" paddles on it's main auger.

If a large obstruction is encountered, the paddle will try and push it round with the auger as it rotates. If the blockage is too large to move then the shearbolt (I); (See Fig.7) on the spring back paddle will break, this will result in the paddle being pushed back against the tension of a spring to avoid the blockage. Once the paddle passes the obstruction, the spring forces the paddle back to it's original position again - thus enabling more muck to be spread.

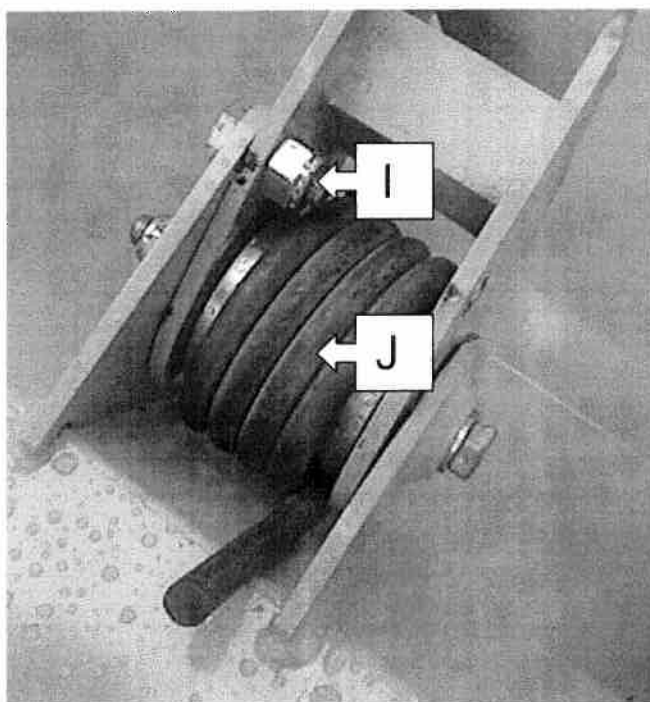


Fig.7

Note ;

If the spread pattern becomes erratic or excessive noise is present then the machine should be stopped and investigated after the discharge of the current load, possible cause maybe the shearbolt(s) have broken on the spring back paddles, or the obstruction is too large for the machine to dislodge.

Note ;

The ability of the paddle to spring back once the force exceeds the shearbolt rating reduces the risk of damage to the body, door or impeller.

Under **NO** circumstances should the "spring-back" paddles be welded solidly and the shearbolt removed as this will invalidate the warranty of the Powerspread.

The shear bolts must be genuine Shelbourne Reynolds service parts. If not, the company will not consider any claim made under the warranty and no liability shall be attached to the company.

Spring back paddle

shear bolt part. no.
nut part no.

BLTA12504
NUT-0269

5.11 SPREAD PATTERN

The patented adjustable impeller flights or deflectors have been designed to give you the optimum spread pattern to suit your conditions when spreading slurry.

Each flight can be adjusted separately along the pivoting bar by loosening the coach bolts and rotating the flight on the bar. The flights are then adjustable together by operating the spring lever into any one of three positions; the lower two positions are for spreading slurry and the top position for spreading manure.

IMPORTANT NOTE

After adjusting the flights to a suitable place, care should be taken so when the spring lever is in its top position, the deflector flights do not obstruct the door ram when the door is raised and lowered.

See Fig.8 and Fig.9 which show the Powerspread discharge door with flights in the top position and flights in the middle position.

Fig.10 shows a suitable spread pattern for spreading slurry, which is obtained by adjusting the deflector flights as described.

Flights in the top position

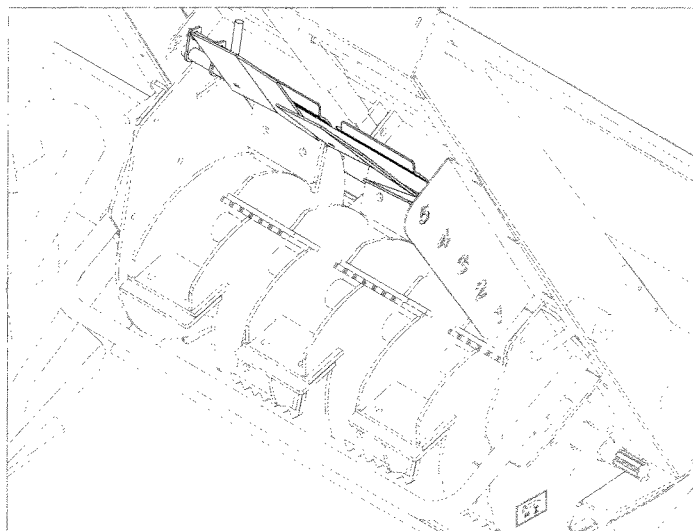


Fig.8
Flights in the centre position

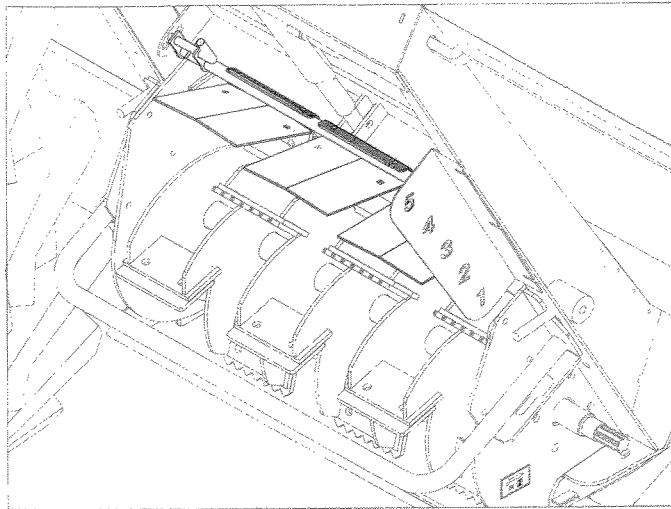


Fig.9
Flights set to give a good band of spread when using slurry.

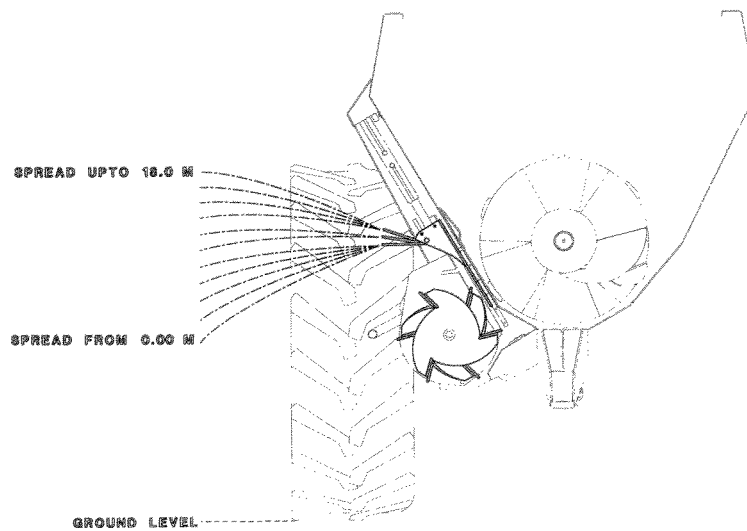


Fig.10

SECTION 6

ADJUSTMENTS AND MAINTENANCE

NEVER CARRY OUT ANY ADJUSTMENTS OR MAINTENANCE WHEN THE TRACTOR ENGINE IS RUNNING AND NEVER USE THE SPREADER UNLESS ALL GUARDS ARE SECURELY FITTED.

6.1 IMPELLER BLADE ADJUSTMENT

It is important to maintain a good spread pattern and a fine fragmentation of material being spread. This is achieved by ensuring that the impeller blades pass as close to the door as shown in Fig.10.

Each Impeller blade is attached to the impeller by two bolts. The impeller should be adjusted to give approximately 5mm (3/16") clearance between the tip of the blades and the outside face of the discharge door when closed. Fig. 11 shows the blades bolted to the impeller and the adjuster studs in Fig.4 used to alter the impeller's position relative to the door.

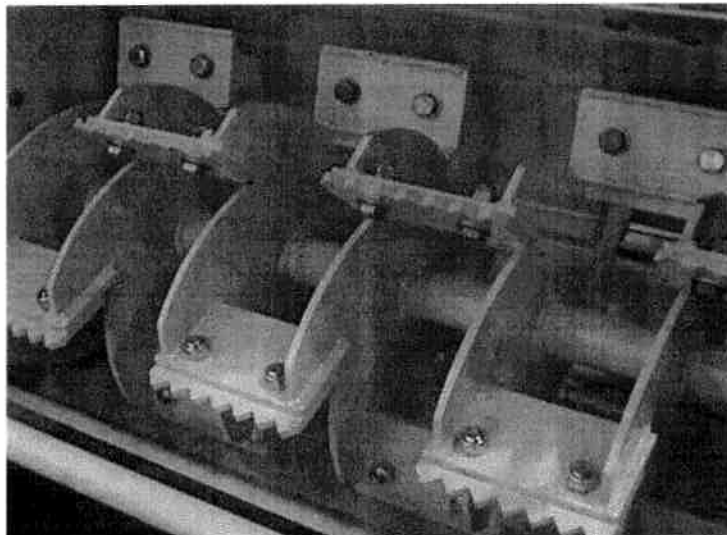


Fig.11

The smooth blades should protrude approximately 2mm (5/64") further than the teeth on the serrated blades.

As the impeller blades wear, the whole impeller can be adjusted inwards so as to maintain spreading capability. The distance can be easily adjusted by slackening or tightening the four nuts on the impeller adjuster studs (F) in Fig.4. In order to get the impeller to move easily it will also be necessary to slacken off the impeller pivot bolts (E) in Fig.5 and the coach bolts (G) in Fig.4.

Once adjusted to within the required distance from the door, all bolts should be tightened up and set again.

When blades are fully worn on one edge they can be turned over and the second edge can be used. Failure to adjust the impeller position on a regular basis will impair the performance of the Powerspread.

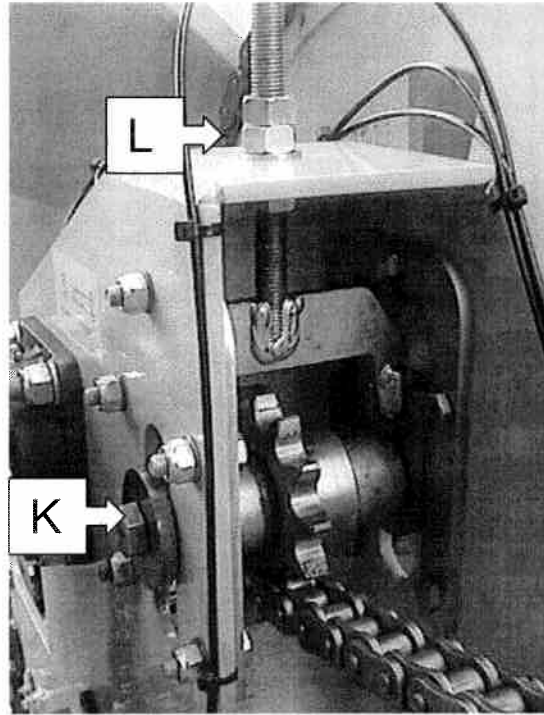


Fig. 12

6.2 DRIVE CHAIN TENSIONING

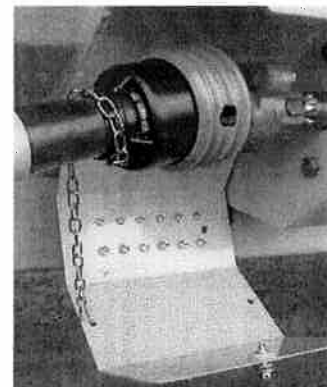
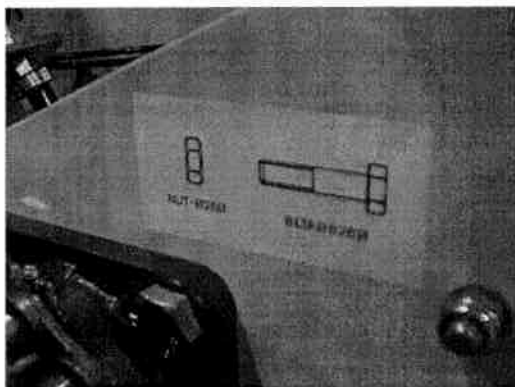
The Powerspread is fitted with 4 simplex chains of various sizes to drive the auger and impeller. All chains are fitted with a tension adjuster (fig 12), the correct chain tension will have been set at the factory but it should be periodically checked after the machine has been used in the field.

This will ensure good performance and life from the Powerspread chain drive system.

To tension the chain, firstly slacken bolt (K), then adjust the plain nuts (L) to move the sprocket up or down to the required position, finally tighten bolt (K) to lock the whole assembly in position. Make sure the chain is physically felt and checked as it is tightened.

NOTE : BE CAREFUL NOT TO OVERTIGHTEN THE DRIVE CHAIN.

6.3 SHEAR BOLTS



A shear bolt is provided on the impeller drive and on the auger drive; always ensure that these bolts are kept tight.

6.4 CHANGING THE AUGER SPEED SPROCKET

Reversing the front sprockets will change the auger speed. To change the speed from 13rpm to 8.7rpm, you simply reverse the lower sprocket and adjust the chain tensioner. To achieve the 3.6rpm auger speed both sprockets need to be reversed and the extra chain length needs to be added. (Please refer to transfer situated on the inside of the front guard)

Note ;

These operations are best performed in a workshop environment and not out in the field.

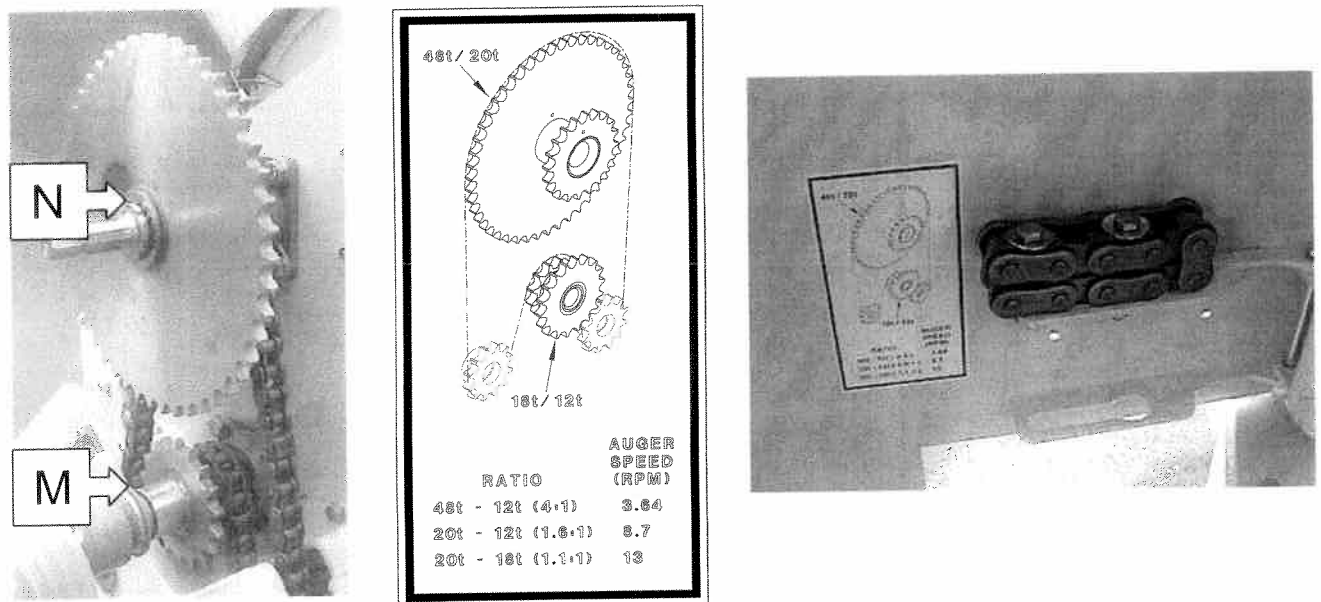


Fig.15

Procedure for changing Auger speed

- (1) Open the main front guard and disconnect the tractor PTO at the machine end.
- (2) Release the chain tension and "back-off" the tensioner as far as possible.
- (3) If the bottom sprocket needs to be reversed, simply undo the grub screw, and remove the locking collar (M), slide the double sprocket from the shaft. Assemble as before ensuring the locking collar is butted up tight against the PTO shaft. Re-tension the chain to finish.
- (4) If the top sprocket needs to be reversed, then split the chain at the joiner, release the tab washer and undo the lock nut (N), prior to sliding the sprocket from the shaft ensure the shearbolt is removed. Assemble as before adding the extra chain length situated on the inside of the drive guard.
- (5) Once the sprockets have been altered to suit the required auger speed retention the chain as describe in section 6.2

6.4.1 CHANGING THE AUGER SPEED SPROCKET (1000rpm)

To change the speed from 13rpm to 7rpm, simply reverse the top sprocket add the extra chain length and adjust the chain tensioner to suit. (Please refer to transfer situated on the inside of the front guard)

Note ;

These operations are best performed in a workshop environment and not out in the field.

Procedure for changing PTO speed (from 540 to 1000 rpm)

To change the PTO speed from 540 to 1000rpm you must firstly swap over the 24 teeth and 19 teeth sprockets, which drive the impeller (for 540rpm, the 24t sprocket will be connected to the input shaft, and for 1000rpm the 19t sprocket will be connected to the input shaft). You must then change the front input sprocket from a 22 teeth to a 12 teeth and fit the shorter length chain. Finally retention the chains you have adjusted.

540rpm PTO drive kit (1 3/8" 6 spline) - KIT-03225

1000rpm PTO drive kit(1 3/4" 20 spline) - KIT-03226

6.5 WASHING INSTRUCTIONS

Wash down the Powerspread frequently. Protect the body by touching up damaged paintwork immediately. Clean out any muck or dirt from the door runners.

If storing the Powerspread for any length of time, ensure that grease is squirted in through the four greasing points at the sides of the door with the door down, and then leave the empty spreader with the door in the "up" position.

6.6 TYRE PRESSURES

Check tyre pressures occasionally:

<u>Tyre make</u>	<u>Tyre size</u>	<u>Pressure</u>
Dneproshina	23.1 / R26 12 pr	32 psi (2.2 bar)
Starmaxx	23.1 / R26 12 pr	30 psi (2.1 bar)
Starmaxx	23.1 / R26 14 pr	35 psi (2.4 bar)
Trelleborg	600 / 60-30.5	45 psi (3.1 bar)
Trelleborg	650 / 55-30.5	52 psi (3.6 bar)
Trelleborg	650 / 65-30.5	41 psi (2.8 bar)

6.7 HARDWARE AND FIXINGS

Check all hardware and fixings after the first 10 hrs of work, then every 50 hrs work. Pay particular attention to wheel nuts and bolts securing bearings.

Number of studs, stud size and nut type	Torque (Nm)	Torque (lb/ft)	Socket size
10 studs, M22 x 1.5mm pitch, "Bec" taper cone nut	450	332	32mm
8 studs, M20 x 1.5mm pitch, "Plain nut & split coned washer"	350	260	30mm

The wheel nuts must be tightened diagonally using the appropriate sized socket to the torque stated using a torque wrench.

It is recommended that wheel nuts should be checked / tightened :

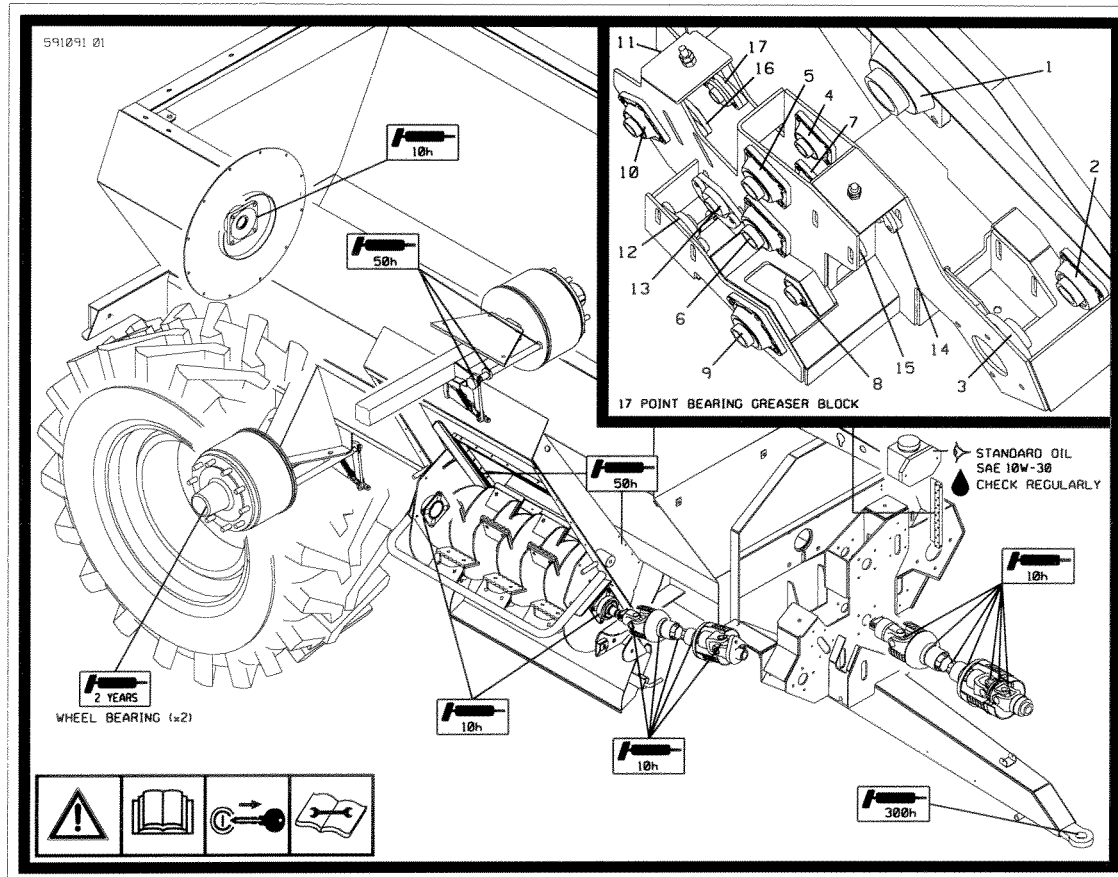
- Before use at Pre Delivery Inspection stage.
- After the first use / laden journey.
- After the first day of use. Depending if the wheel nuts have become loose then repeat check / tighten daily until no loosening occurs.
- After the first week of use. Depending if the wheel nuts have become loose then repeat check / tighten weekly until no loosening occurs.
- Regularly during use onwards.

Repeat every time the wheels are changed or removed.

SECTION 7

LUBRICATION

Refer to the diagram below for greasing points:



Grease every 10 hours

1. Lubricate sliding tubes of P.T.O. shaft every 10 hours with good quality molydisulphide grease.
2. Grease the universal joints & guard bearings of the PTO shaft.
3. Grease the front & rear impeller bearings.
4. Grease the front & rear auger bearings.

Grease every 50 hours.

1. Grease front drive bearings using multi point grease block.
2. Grease door runners
3. Grease brake cam rods on axle.

Grease every 300 hours.

1. Grease towing eye.

Grease every 2 years

1. Check & grease wheel bearings.

Recommended maintenance

1. Oil the door ram pivot pins
2. Oil the guards latches and hinges

The front chain drive is fitted with an automatic lubrication system. The oil required to fill the 3.5 litre reservoir (see fig 16) should be a standard SAE 10w-30 oil, and should not be a multi-grade oil or EP gear oil, as this will block the system. The oil is pumped to brushes located on each chain (see fig 17) by a cam and pump which is powered by the rotation of a drive shaft. Adjusting the cam can alter the amount of oil being dispensed to the brushes (setting 4 is advised). Please note that we recommend periodical checks be done on the chains.

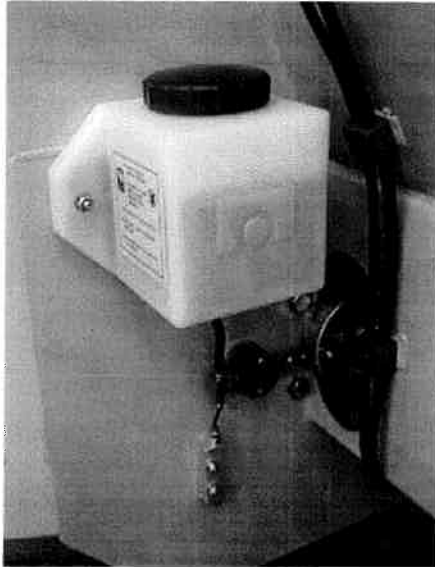


Fig.16

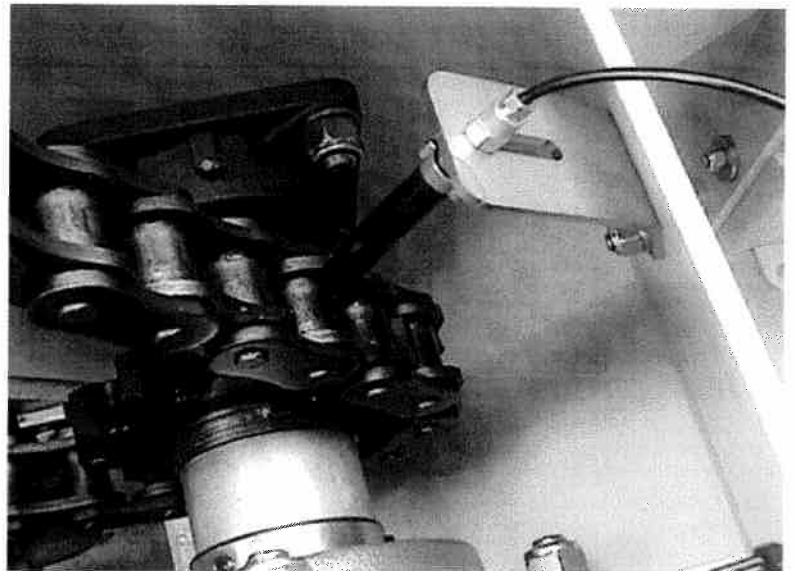


Fig.17

SECTION 8:

PARTS LISTING

POWERSPREAD PARTS MANUAL

Machine Identification

The Powerspread machine and serial identification numbers are engraved on a plate on the left hand side of the drawbar beam.

Record serial, machine and any kit option numbers in the space below ;

POWERSPREAD SERIAL NUMBER _____

POWERSPREAD MACHINE NUMBER _____

OTHER KIT OPTIONS _____

Ordering Spare Parts

To ensure that you order the correct part from your SRE dealer please use the following procedure.

ALWAYS QUOTE THE MACHINE AND SERIAL NUMBERS WHEN ORDERING.

Refer to the first page of this parts list section (machine assemblies), listing all the sub assemblies.

The appropriate assemblies part number (in the top left corner) will match the machine number from the Powerspread identification plate.

Use the following sub assembly numbers and descriptions to find the area of the machine that your part is required, i.e. if you need a part which is fitted to the impeller, your part will be in the discharge rotor assembly parts list.

Having decided which sub-assembly your part should be under, use the number beside that sub-assembly description, (which will begin with 6090__ __), to find the parts listing of the sub-assembly further on in the manual. The number will be printed in the top left hand corner, the sub-assemblies are in numerical order.

Having found the correct parts list, you will find the corresponding drawing by either looking at the facing page or progressing through the manual to the next drawing. The drawings indicate the components by item numbers which you will find are repeated in the left hand side of your parts listing, and therefore referring to the correct part.

Powerspread *Contractor*

PARTS LIST

CONTRACTOR

1	609904 01	P/SPREAD CONTRACTOR M/c
2	609904 02	P/SPREAD CONTRACTOR M/c (2200 gallons)
3	606604 03	TANDEM AXLE P/SPREAD CONTRACTOR (2200 gallons)
4	609032 01	MAIN DRIVES SUB ASSY KIT
5	609033 01	AUGER FIXING KIT
6	609033 02	AUGER FIXING KIT (2200 gallons)
7	609034 01	DOOR & RAM SUB ASSY
8	609035 01	POWERSPREAD TUB SUB ASSY
9	609035 02	POWERSPREAD TUB SUB ASSY (2200 gallons)
10	609035 03	POWERSPREAD TUB SUB ASSY (2200 tandem axle)
11	609036 01	IMPELLER SUB ASSY
12	609039 01	DOOR HYDRAULIC SUB ASSY
13	609039 02	DOOR HYDRAULIC SUB ASSY (2200 gallons)
14	609040 01	LIGHTING SUB ASSY
15	609040 02	LIGHTING SUB ASSY (2200 gallons)
16	609041 01	GUARDS & FIXTURES SUB ASSY
17	609041 02	GUARDS & FIXTURES SUB ASSY (2200 gallon)
18	609043 01	MAIN DRIVES SUB ASSY KIT (2200 gallons)
19	609046 01	DRIVE SUB ASSY (1600 GALLONS)
20	609046 02	DRIVE SUB ASSY (2200 GALLONS)
21	KIT-02602	BRAKE RELIEF KIT
22	KIT-03200	MASTERLUBE KIT
23	KIT-03221	DRAW BAR KIT (UK SPEC)
24	KIT-03222	DRAW BAR KIT (US SPEC)
25	KIT-03223	PARKING JACK KIT
26	KIT-03224	EXTENSION SIDE KIT (2200 gallons)
27	KIT-03225	PTO DRIVE KIT (540rpm)
28	KIT-03226	PTO DRIVE KIT (1000rpm)
29	KIT-03230	SLURRY CANOPY OPTION
30	KIT-03242	AXLE (HYD BRAKES KIT 2200 gallons)
31	KIT-03243	AXLE (HYD BRAKES KIT 1600 gallons)
32	KIT-03244	AXLE (HYD BRAKES KIT 1600 gallons)
33	KIT-03245	WHEEL & TYRE KIT (600/60-30.5) (40 km/h)
34	KIT-03246	WHEEL & TYRE KIT (23.1 R26 14ply) (Standard)
35	KIT-03246a	WHEEL & TYRE KIT (For 113112 onwards Standard)
36	KIT-03261	BEARING GREASER KIT

37	KIT-03262	12" WOODEN EXT TOP (2200 – 2800 gallons)
38	KIT-03263	6" WOODEN EXT TOP (2200 – 2500 gallons)
39	KIT-03264	6" WOODEN EXT TOP (1600 – 1800 gallons)
40	KIT-03286	HYDRAULIC PARKING JACK
41	KIT-03309	12" WOODEN EXT TOP (1600-200 gallons)
42	KIT-03490	WHEEL & TYRE KIT (650/55-30.5) (40km/h)
43	KIT-03551	ANTI-BRIDGING KIT (1600 dairy/contractor)
44	KIT-03552	ANIT-BRIDGING KIT 2200 CONTRACTOR
45	KIT-03553	ANTI-BRIDGING MANUAL HYDRAULICS
46	KIT-03554A	ANTI-BRIDGING AUTO HYDRAULICS KIT
47	KIT-03592	TANDEM AXLE WHEEL & TYRE KIT
48	KIT-03602	STRAW PLATE KIT (1400 & 1600 DAIRY/CON)
49	KIT-03603	STRAW PLATE KIT (2200 GALLON CON)
50	KIT-03606	WHEEL AND TYRE KIT
51	KIT-03625	ANTI-BRIDGING KIT DOUBLE ARM 1600
52	KIT-03626	ANTI-BRIDGING KIT DOUBLE ARM 2200
53	KIT-03636	ANTI-BRIDGING DOUBLE DOUBLE KIT 2200
54	KIT-03648	WHEEL & TYRE KIT (600/65R23 75mm OFFSET)
55	KIT-03649	PTO SHAFT KIT (NON WIDE ANGLE)
56	KIT-03690	CONTRACTOR BEARING GREASER KIT
57	KIT-03738	ANTI-BRIDGING KIT DOUBLE ARM

Shelbourne Reynolds Engineering Limited

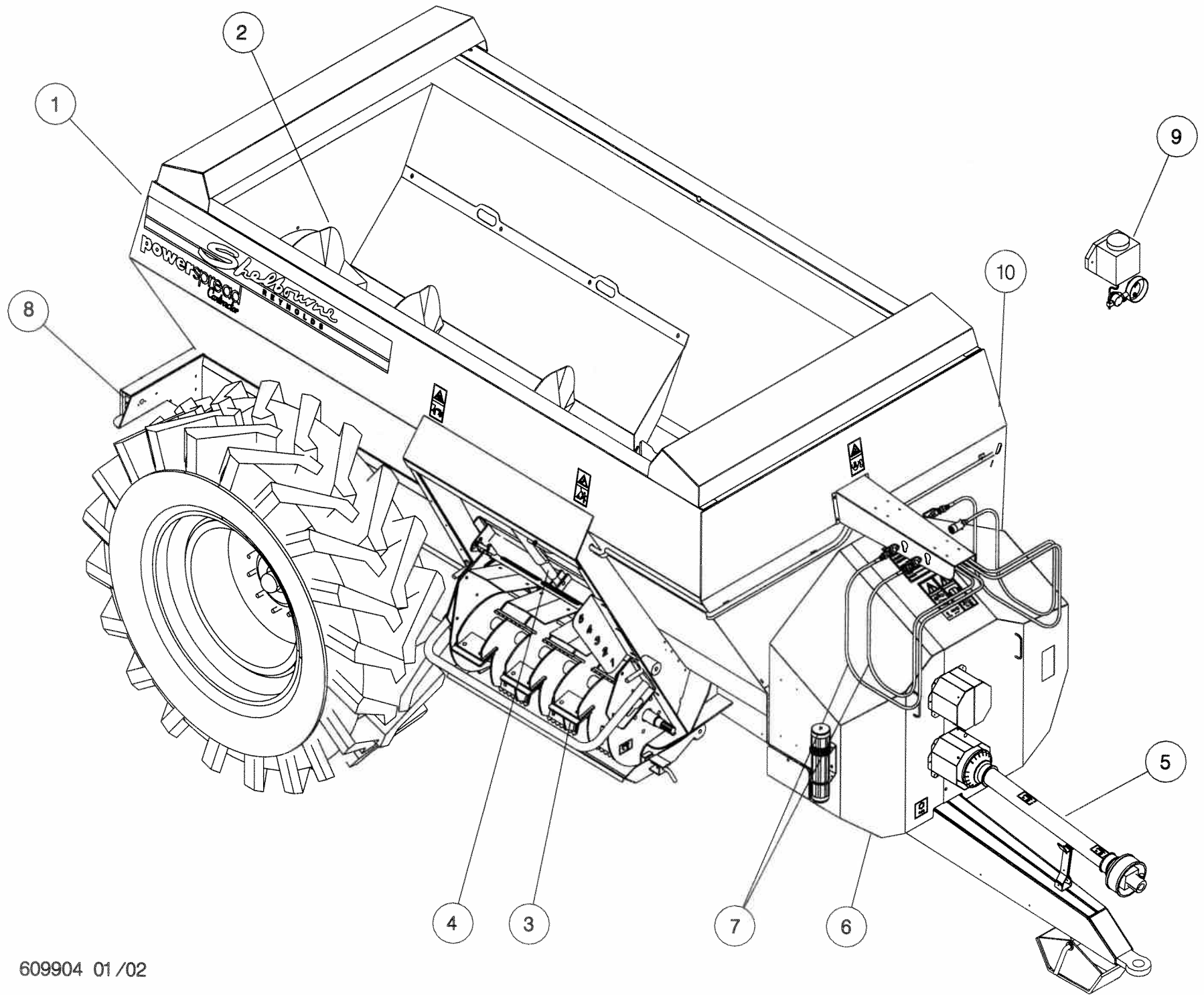
ASSY NUMBER:		609904 01		ASSY DESCRIPTION:POWERSPREAD CONTRACTOR 1600 GALLON ASSY			
ITEM	PART NO	DESCRIPTION	QTY	ITEM	PART NO	DESCRIPTION	QTY
1	609035 01	POWERSPREAD TUB SUB ASSY	1				
2	609033 01	AUGER FIXING KIT	1				
3	609036 01	IMPELLER SUB ASSY	1				
4	609034 01	DOOR & RAM SUB ASSY	1				
5	609046 01	MAIN DRIVES SUB ASSY (SERIAL No'S 113112 ONWARDS)	1				
OR	609032 01	MAIN DRIVES SUB ASSY (UP TO & INC SERIAL No 112112)	1				
6	609041 02	GUARDS & FIXTURES SUB ASSY (SERIAL No'S 107112 ONWARDS)	1				
OR	609041 01	GUARDS & FIXTURES SUB ASSY (UP TO & INC SERIAL No 106112)	1				
7	609039 01	DOOR HYDRAULICS SUB ASSY	1				
8	609040 01	LIGHTING SUB ASSY	1				
9	KIT-03200	MASTERLUBE KIT	1				
10	KIT-03690	MULTI-POINT BEARING GREASER (SERIAL No'S 103118 ONWARDS)	1				
OR	KIT-03261	BEARING GREASER KIT (UP TO & INC SERIAL No 102118)	1				

Shelbourne Reynolds Engineering Limited

ASSY NUMBER:		609904 02		ASSY DESCRIPTION: POWERSPREAD CONTRACTOR 2200 GALLON ASSY			
ITEM	PART NO	DESCRIPTION	QTY	ITEM	PART NO	DESCRIPTION	QTY
1	609035 02	POWERSPREAD TUB SUB ASSY	1				
2	609033 02	AUGER FIXING KIT	1				
3	609036 01	IMPELLER SUB ASSY	1				
4	609034 01	DOOR & RAM SUB ASSY	1				
5	609046 02	MAIN DRIVES SUB ASSY (SERIAL No'S 113112 ONWARDS)	1				
OR	609043 01	MAIN DRIVES SUB ASSY (FOR SERIAL No 107112 ONLY)	1				
6	609041 02	GUARDS & FIXTURES SUB ASSY	1				
7	609039 02	DOOR HYDRAULICS SUB ASSY	1				
8	609040 02	LIGHTING SUB ASSY	1				
9	KIT-03200	MASTERLUBE KIT	1				
10	KIT-03690	MULTI-POINT BEARING GREASER (SERIAL No'S 205119 ONWARDS)	1				
OR	KIT-03261	BEARING GREASER KIT (UP TO & INC SERIAL No 204118)	1				

Shelbourne Reynolds Engineering Limited

ASSY NUMBER:		609904 03		ASSY DESCRIPTION: TANDEM AXLE P/SPREAD CON 2200 ASSY			
ITEM	PART NO	DESCRIPTION	QTY	ITEM	PART NO	DESCRIPTION	QTY
1	609035 03	POWERSPREAD TUB SUB ASSY	1				
2	609033 02	AUGER FIXING KIT	1				
3	609036 01	IMPELLER SUB ASSY	1				
4	609034 01	DOOR & RAM SUB ASSY	1				
5	609046 02	MAIN DRIVES SUB ASSY	1				
6	609041 02	GUARDS & FIXTURES SUB ASSY	1				
7	609039 02	DOOR HYDRAULICS SUB ASSY	1				
8	609040 02	LIGHTING SUB ASSY	1				
9	KIT-03200	MASTERLUBE KIT	1				
10	KIT-03690	MULTI-POINT BEARING GREASER (SERIAL No'S 205119 ONWARDS)	1				
OR	KIT-03261	BEARING GREASER KIT (UP TO & INC SERIAL No 204118)	1				

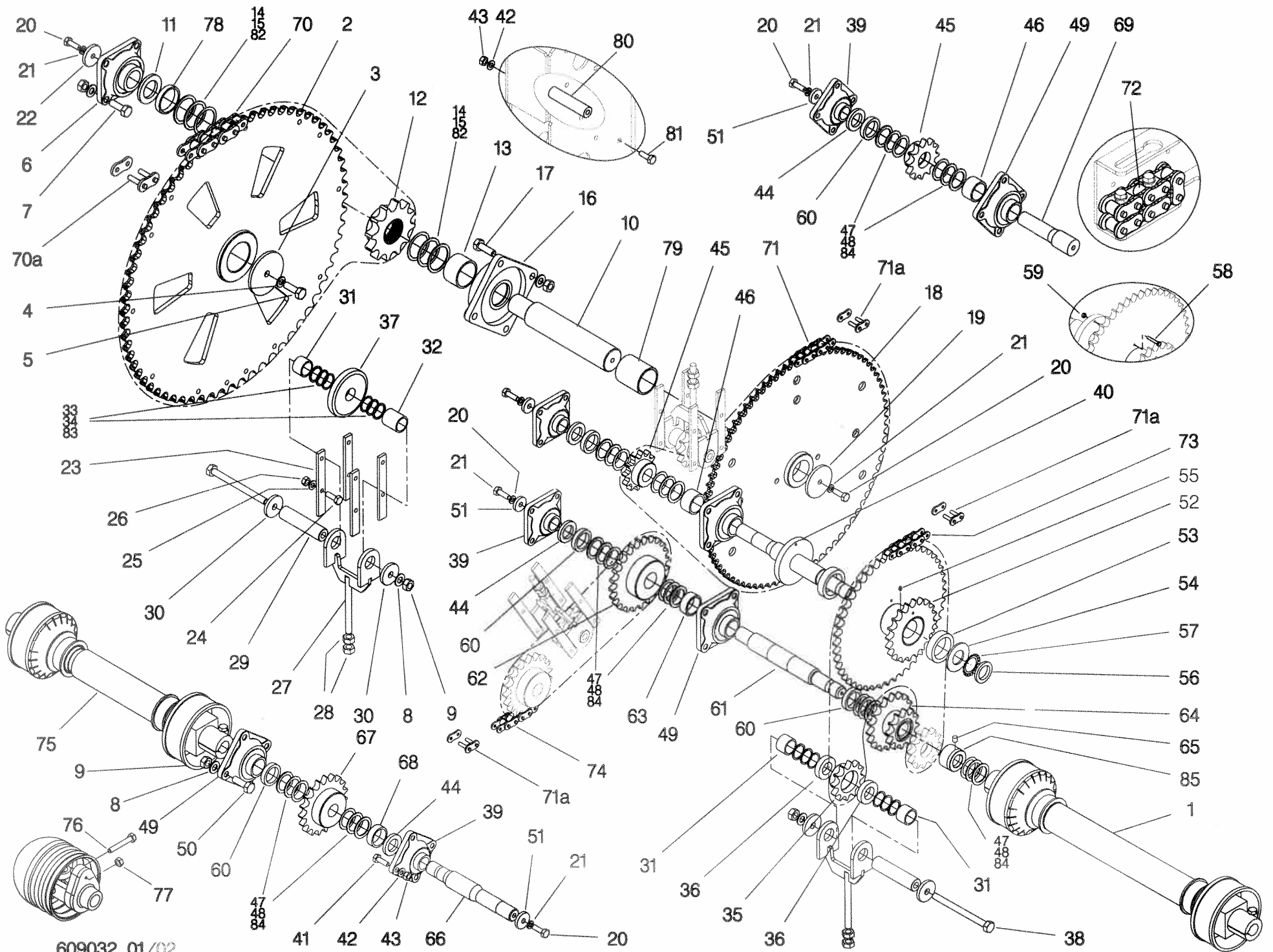


Shelbourne Reynolds Engineering Limited

ASSY NUMBER:		609032 01		ASSY DESCRIPTION:DRIVES SUB ASSY 1600 (UP TO No 112112)			
ITEM	PART NO	DESCRIPTION	QTY	ITEM	PART NO	DESCRIPTION	QTY
1	PTO-25100	PTO SHAFT C/W GUARD	1	39	BRG-23545	BEARING	4
2	607041 01	SPROCKET 66T	1	40	607075 01	DRIVE SHAFT ASSY	1
3	590491 01	WASHER	1	41	HSS-0250	SETSCREW	16
4	WSH-0070	WASHER	1	42	WSH-0018	WASHER	18
5	HSS-0315	SETCREW	1	43	NUT-0269	NUT	18
6	BRG-25041	BEARING	1	44	190119 69	WASHER	4
7	HSS-0319	SETSCREW	4	45	607055 01	SPROCKET 12T	2
8	WSH-0024	WASHER	24	46	590717 01	SPACER TUBE	2
9	NUT-0271	NUT	28	47	190119 77	WASHER	10
10	607060 01	DRIVE SHAFT	1	48	190119 71	WASHER	10
11	190119 65	WASHER	1	49	BRG-24541	BEARING	4
12	610867 01	SPROCKET 12T	1	50	HSS-0317	SETSCREW	16
13	590718 01	SPACER TUBE	1	51	190119 13	WASHER	4
14	190119 78	WASHER	2	52	607046 01	DOUBLE SPROCKET 20T/48T	1
15	190119 67	WASHER	2	53	BSH-3019	BUSH	2
16	BRG-26545	BEARING	1	54	190119 72	WASHER	1
17	HSS-0318	SETSCREW	4	55	NIP-00600	GREASE NIPPLE	1
18	607044 01	SPROCKET 81T	1	56	NUT-3010	LOCK NUT	1
19	190119 68	WASHER	1	57	WSH-6010	LOCK WASHER	1
20	HSS-0235	SETSCREW	6	58	BLTA06264	SHEARBOLT	6
21	WSH-0065	WASHER	6	59	NUT-0260	NUT	6
22	190119 64	WASHER	1	60	590717 04	WASHER	5
23	590671 01	TENSIONER RUNNER	12	61	607076 01	DRIVE SHAFT	1
24	HSS-0198	SETSCREW	24	62	607057 01	SPROCKET 24T	1
25	WSH-0015	WASHER	31	63	590717 02	SPACER TUBE	1
26	NUT-0265	NUT	24	64	607051 01	DOUBLE SPROCKET 12T/18T	1
27	590668 01	IDLER ADJUSTER ASSY	4	65	SCW-4595	GRUB SCREW	1
28	NUT-0167	NUT	8	66	607077 01	DRIVE SHAFT	1
29	590669 01	SPINDLE	4	67	607058 01	SPROCKET 19T	1
30	190119 60	WASHER	8	68	590717 03	SPACER TUBE	1
31	590670 01	SPACER TUBE	7	69	607078 01	DRIVE SHAFT	1
32	590670 02	SPACER TUBE	1	70	CHN-03881	CHAIN	1
33	190119 76	WASHER	8	70a	CHN=03800	JOINING LINK	1
34	190119 74	WASHER	8	71	CHN-02583	CHAIN	1
35	607050 01	TENSIONER SPROCKET 12T	3	71a	CHN-02501	JOINING LINK	1
36	BRG-13505	BEARING	6	72	CHN-02584	CHAIN	1
37	590722 01	TENSIONER RING	1	73	CHN-02585	CHAIN	1
38	BLTA16810	BOLT	4	74	CHN-02586	CHAIN	1

Shelbourne Reynolds Engineering Limited

ASSY NUMBER: 609032 01 CONTINUED				ASSY DESCRIPTION: DRIVES SUB ASSY 1600 (UP TO No 112112)			
ITEM	PART NO	DESCRIPTION	QTY	ITEM	PART NO	DESCRIPTION	QTY
75	PTO-14001	PTO SHAFT C/W GUARD	1				
76	605123 01	SHEARBOLT	6				
77	NUT-0263	NUT	6				
78	590718 02	SPACER TUBE	1				
79	607079 01	81T SPROCKET SLEEVE	1				
80	590789 01	NYLON RUNNER	2				
81	BLTA12750	BOLT	2				
82	190119 66	WASHER	2				
83	190119 59	WASHER	8				
84	190119 70	WASHER	10				
85	590795 01	LOCKING COLLAR	1				



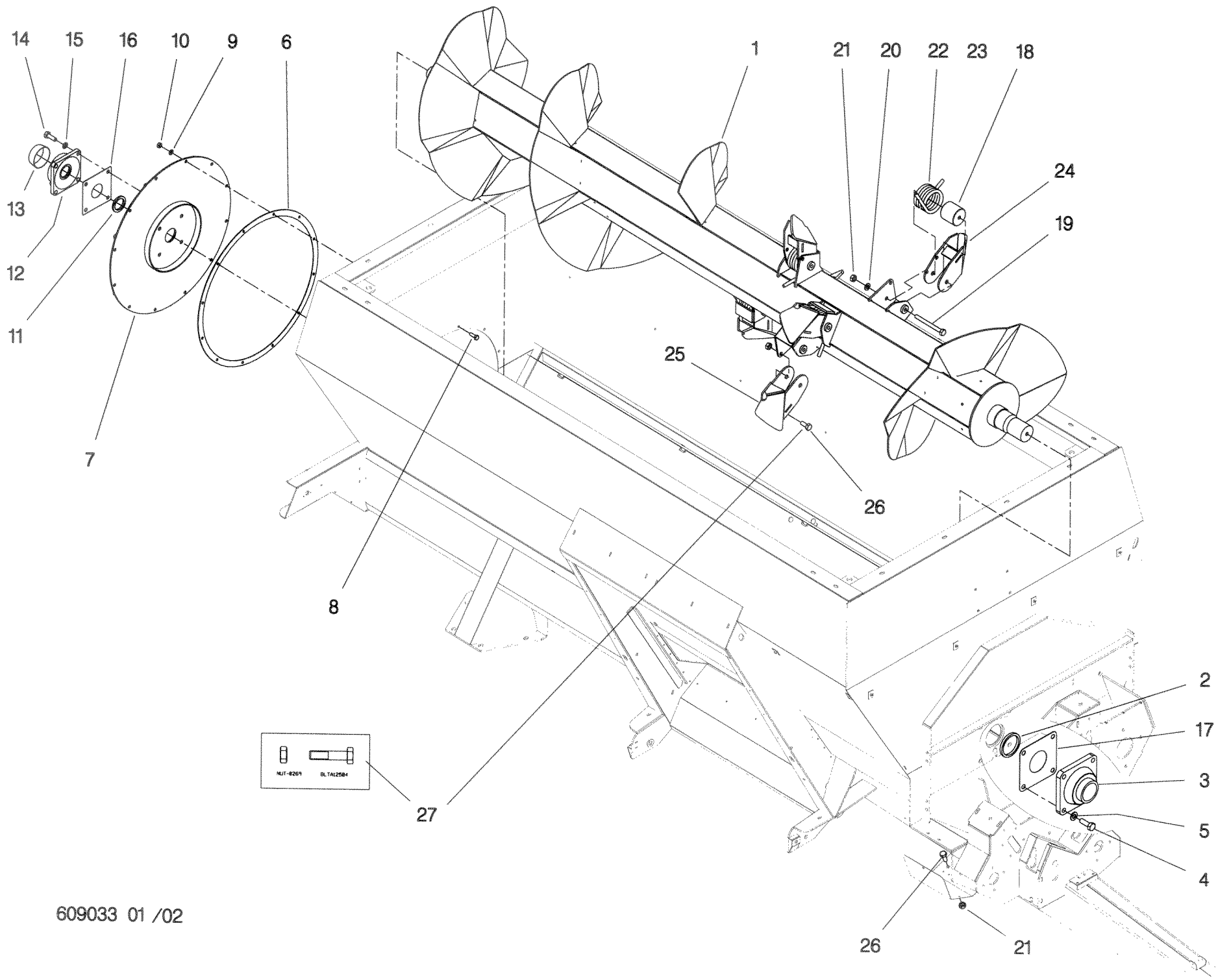
609032 01/02

Shelbourne Reynolds Engineering Limited

ASSY NUMBER:		609033 01		ASSY DESCRIPTION:AUGER & AUGER FIXING KIT (CONTRACTOR)			
ITEM	PART NO	DESCRIPTION	QTY	ITEM	PART NO	DESCRIPTION	QTY
1	590665 01	AUGER ASSY	1				
2	SEAB10000	SHAFT SEAL	1				
3	BRG-29040	BEARING	1				
4	BLT-2366	BOLT	4				
5	WSH-0075	SPRING WASHER	4				
6	604852 01	AUGER PLATE GASKET	1				
7	590719 01	AUGER REAR PLATE	1				
8	HSS-0241	SETSCREW	12				
9	WSH-0018	PLAIN WASHER	24				
10	NUT-0269	NYLOC NUT	24				
11	SEAF06000	SHAFT SEAL	1				
12	BRG-26040	BEARING	1				
13	BRG-96000	BEARING CAP	1				
14	HSS-0318	SETSCREW	4				
15	WSH-0070	SPRING WASHER	4				
16	590615 01	SPACING DISC	1				
17	590645 01	BEARING SPACER	1				
18	590220 01	PIVOT BAR	6				
19	BLTA16750	BOLT	6				
20	WSH-0024	WASHER	6				
21	NUT-0271	NUT	6				
22	590400 01	LH TORSION SPRING	3				
23	590400 02	RH TORSION SPRING	3				
24	607070 01	PADDLE BLADE ASSY LH	3				
25	607070 02	PADDLE BLADE ASSY RH	3				
26	BLTA12504	BOLT	12				
		(UP TO & INC SERIAL NO 113112)					
OR	BLTA16291	BOLT					
		(SERIAL NO 114112 ONWARDS)					
27	590968 01	SHEARBOLT EMBLEM	1				

Shelbourne Reynolds Engineering Limited

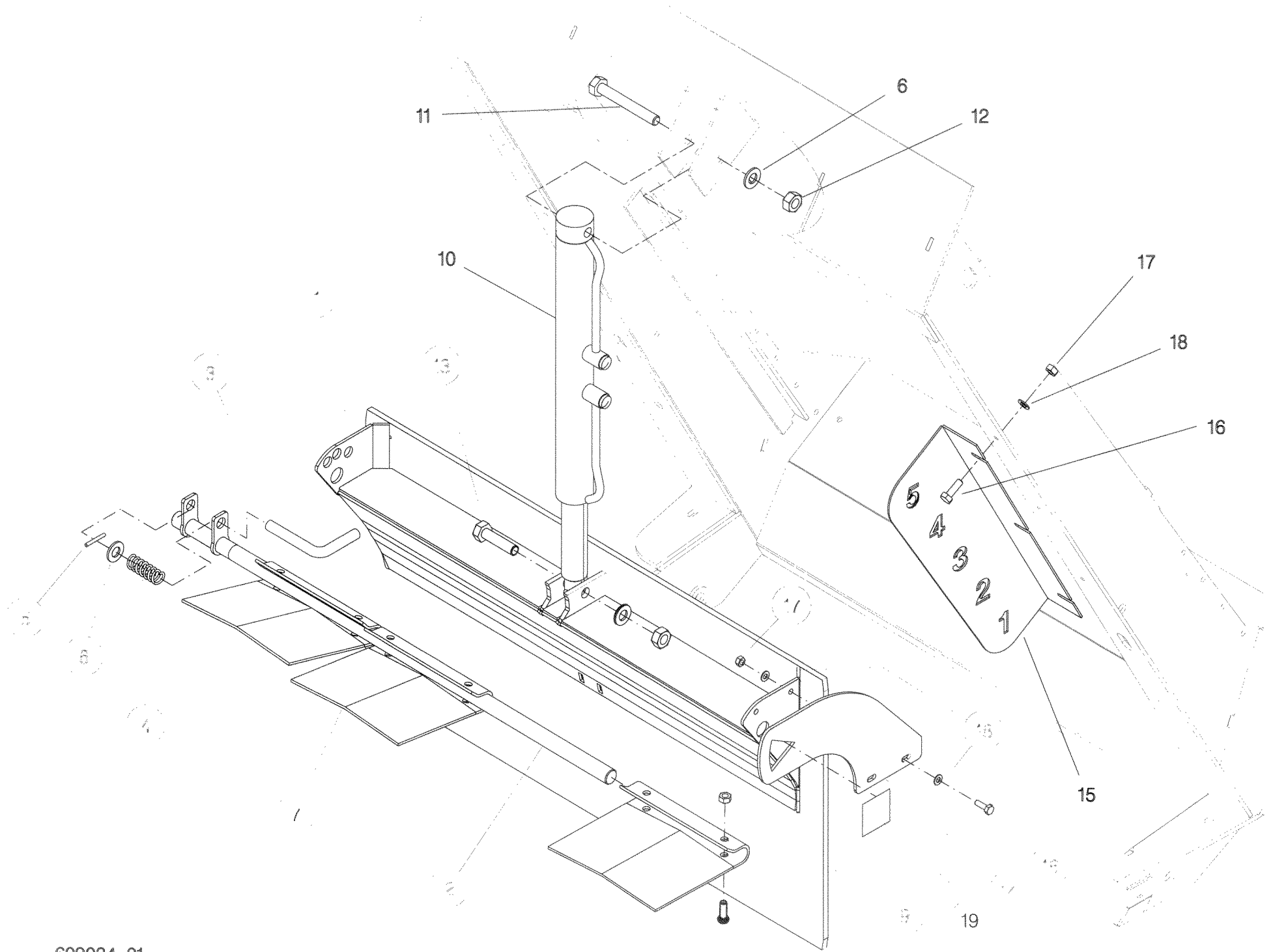
ASSY NUMBER:		609033 02		ASSY DESCRIPTION:AUGER & AUGER FIXING KIT (2200 GAL)			
ITEM	PART NO	DESCRIPTION	QTY	ITEM	PART NO	DESCRIPTION	QTY
1	590803 01	AUGER ASSY	1				
2	SEAB10000	SHAFT SEAL	1				
3	BRG-29040	BEARING	1				
4	BLT-2366	BOLT	4				
5	WSH-0075	SPRING WASHER	4				
6	604852 01	AUGER PLATE GASKET	1				
7	590874 01	AUGER REAR PLATE	1				
8	HSS-0241	SETSCREW	12				
9	WSH-0018	PLAIN WASHER	24				
10	NUT-0269	NYLOC NUT	24				
11	SEAF06000	SHAFT SEAL	1				
12	BRG-26040	BEARING	1				
13	BRG-96000	BEARING CAP	1				
14	HSS-0318	SETSCREW	4				
15	WSH-0070	SPRING WASHER	4				
16	590615 01	SPACING DISC	1				
17	590645 01	BEARING SPACER	1				
18	590220 01	PIVOT BAR	6				
19	BLTA16750	BOLT	6				
20	WSH-0024	WASHER	6				
21	NUT-0271	NUT	6				
22	590400 01	LH TORSION SPRING	3				
23	590400 02	RH TORSION SPRING	3				
24	590857 01	PADDLE BLADE ASSY LH	3				
25	590857 02	PADDLE BLADE ASSY RH	3				
26	BLTA12504	BOLT	12				
	(SERIAL NO	114112 ONWARDS)					
OR	BLTA16291	BOLT					
	(UP TO & INC	SERIAL NO 113112)					
27	590968 01	SHEARBOLT EMBLEM	1				



609033 01 /02

Shelbourne Reynolds Engineering Limited

ASSY NUMBER:		ASSY DESCRIPTION: DOOR & RAM SUB ASSY (CONTRACTOR)					
ITEM	PART NO	DESCRIPTION	QTY	ITEM	PART NO	DESCRIPTION	QTY
1	590685 01	DISCHARGE DOOR W/ASSY	1				
2	590736 01	DOOR PADDLE ADJUSTMENT ARM	1				
3	590703 01	LOCKING HANDLE	1				
4	SPGC32021	SPRING	1				
5	PIN-1775	ROLL PIN	1				
6	WSH-0024	WASHER	3				
7	605018 01	DEFLECTOR PADDLE	3				
8	BLTF10323	COACH BOLT	6				
9	NUT-0265	NUT	6				
10	590114 01	DOOR RAM	1				
11	BLT-2320	BOLT	1				
12	NUT-0271	NUT	2				
13	BLT-2314	BOLT	1				
14	590692 01	DOOR HEIGHT POINTER	1				
15	590693 01	DOOR HEIGHT INDICATOR	1				
16	HSS-0145	SETSCREW	5				
17	NUT-0263	NUT	5				
18	WSH-0012	WASHER	7				
19	TPE-00251	REFLECTIVE TAPE	.06m				



609034 01

Shelbourne Reynolds Engineering Limited

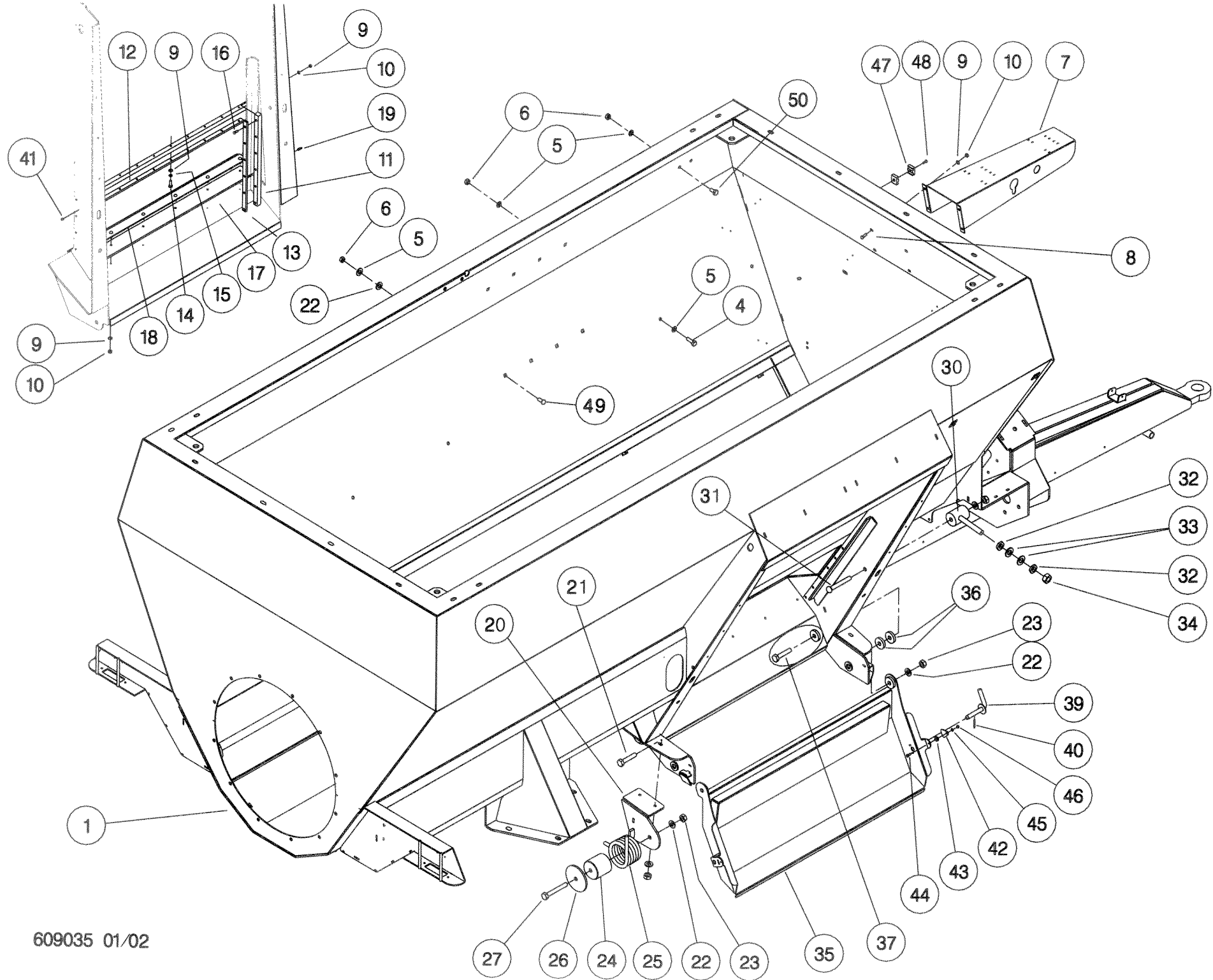
ASSY NUMBER:		609035 01		ASSY DESCRIPTION: POWERSPREAD CONTRACTOR 1600 TUB SUB			
ITEM	PART NO	DESCRIPTION	QTY	ITEM	PART NO	DESCRIPTION	QTY
1	590926 01	CONTRACTOR TUB W/A	1	35	590802 01	DRIP TRAY W/A	1
		(SERIAL No 113112 ONWARDS)		OR	590697 01	DRIP TRAY W/A	1
OR	590737 01	CONTRACTOR TUB W/A	1			(UP TO SERIAL No. 106112)	
		(UP TO SERIAL NO 112112)		36	590702 01	SPACER	2
2				37	BLT-2316	BOLT	2
3				38	SPGC32021	SPRING	2
4	HSS-0238	SETSCREW	6			(UP TO SERIAL No. 106112 ONLY)	
5	WSH-0018	WASHER	24	39	590801 01	LOCKING HANDLE	2
6	NUT-0269	NUT	18	OR	590703 01	LOCKING HANDLE	2
7	590694 01	HOSE TIDY	1			(UP TO SERIAL No. 106112 ONLY)	
8	BLTF08173	COACHBOLT	4	40	PIN-1620	ROLL PIN	2
9	WSH-0012	WASHER	22	OR	PIN-1775	ROLL PIN	2
10	NUT-0263	NUT	22			(UP TO SERIAL No. 106112 ONLY)	
11	590311 01	SQUARE SEAL STRIP	1	41	NIP-00610	GREASE NIPPLE	1
12	590307 01	TOP SEAL CLAMP BAR	1	42	590797 01	LOCKING CAM	2
13	590308 01	SIDE SEAL CLAMP BAR	2	43	190119 80	WASHER	2
14	HSS-0153	SETSCREW	10	44	HSS-0088	SETSCREW	2
15	WSH-0058	WASHER	10	45	WSH-0009	WASHER	2
16	HSS-0157	SETSCREW	12	46	NUT-0260	NUT	2
17	605328 01	BOTTOM DOOR SEAL	1	47	HCPD01200	HYD. PIPE CLAMP	6
18	605336 01	DOOR SEAL KEEP PLATE	1	48	SCW-0083	SCREW	6
19	NIP-00600	GREASE NIPPLE	3	49	BLT-3790	COACHBOLT	8
20	590729 01	SPRING BRKT W/A	1	50	HSS-0235	SETSCREW	4
21	HSS-0315	SETSCREW	2				
22	WSH-0024	WASHER	15				
23	NUT-0271	NUT	7				
24	590220 01	PIVOT BAR	1				
25	590400 01	LH TORSION SPRING	1				
26	590491 01	PIVOT BAR DISC	1				
27	BLT-2330	BOLT	1				
28							
29							
30	590197 01	IMPELLER ADJUSTER	2				
31	BLTF16623	COACHBOLT	2				
32	NUT-0385	NUT	4				
33	WSH-0030	WASHER	4				
34	NUT-0185	NUT	2				

Shelbourne Reynolds Engineering Limited

ASSY NUMBER:		609035 02		ASSY DESCRIPTION:P/SPREAD CONTRACTOR TUB SUB (2200 GAL)			
ITEM	PART NO	DESCRIPTION	QTY	ITEM	PART NO	DESCRIPTION	QTY
1	590925 01	CONTRACTOR 2200 TUB W/A	1	37	BLT-2316	BOLT	2
		(SERIAL No 113112 ONWARDS		38			
OR	590832 01	CONTRACTOR 2200 TUB W/A	1	39	590801 01	LOCKING HANDLE	2
		(SERIAL No. 107112 ONLY)		40	PIN-1620	ROLL PIN	2
2				41	NIP-00610	GREASE NIPPLE	1
3				42	590797 01	LOCKING CAM	2
4	HSS-0238	SETSCREW	9	43	190119 80	WASHER	2
5	WSH-0018	WASHER	30	44	HSS-0088	SETSCREW	2
6	NUT-0269	NUT	21	45	WSH-0009	WASHER	2
7	590694 01	HOSE TIDY	1	46	NUT-0260	NUT	2
8	BLTF08173	COACHBOLT	4	47	HCPD01200	HYD.PIPE CLAMP	8
9	WSH-0012	WASHER	22	48	SCW-0083	SCREW	8
10	NUT-0263	NUT	22	49	BLT-3790	COACHBOLT	8
11	590311 01	SQUARE SEAL STRIP	1	50	HSS-0235	SETSCREW	4
13	590308 01	SIDE SEAL CLAMP BAR	2				
14	HSS-0153	SETSCREW	10				
15	WSH-0058	WASHER	10				
16	HSS-0157	SETSCREW	12				
17	605328 01	BOTTOM DOOR SEAL	1				
18	605336 01	DOOR SEAL KEEP PLATE	1				
19	NIP-00600	GREASE NIPPLE	3				
20	590729 01	SPRING BRKT W/A	1				
21	HSS-0315	SETSCREW	2				
22	WSH-0024	WASHER	15				
23	NUT-0271	NUT	7				
24	590220 01	PIVOT BAR	1				
25	590400 01	LH TORSION SPRING	1				
26	590491 01	PIVOT BAR DISC	1				
27	BLT-2330	BOLT	1				
28							
29							
30	590197 01	IMPELLER ADJUSTER	2				
31	BLTF16623	COACHBOLT	2				
32	NUT-0385	NUT	4				
33	WSH-0030	WASHER	4				
34	NUT-0185	NUT	2				
35	590802 01	DRIP TRAY W/A	1				
36	590702 01	SPACER	2				

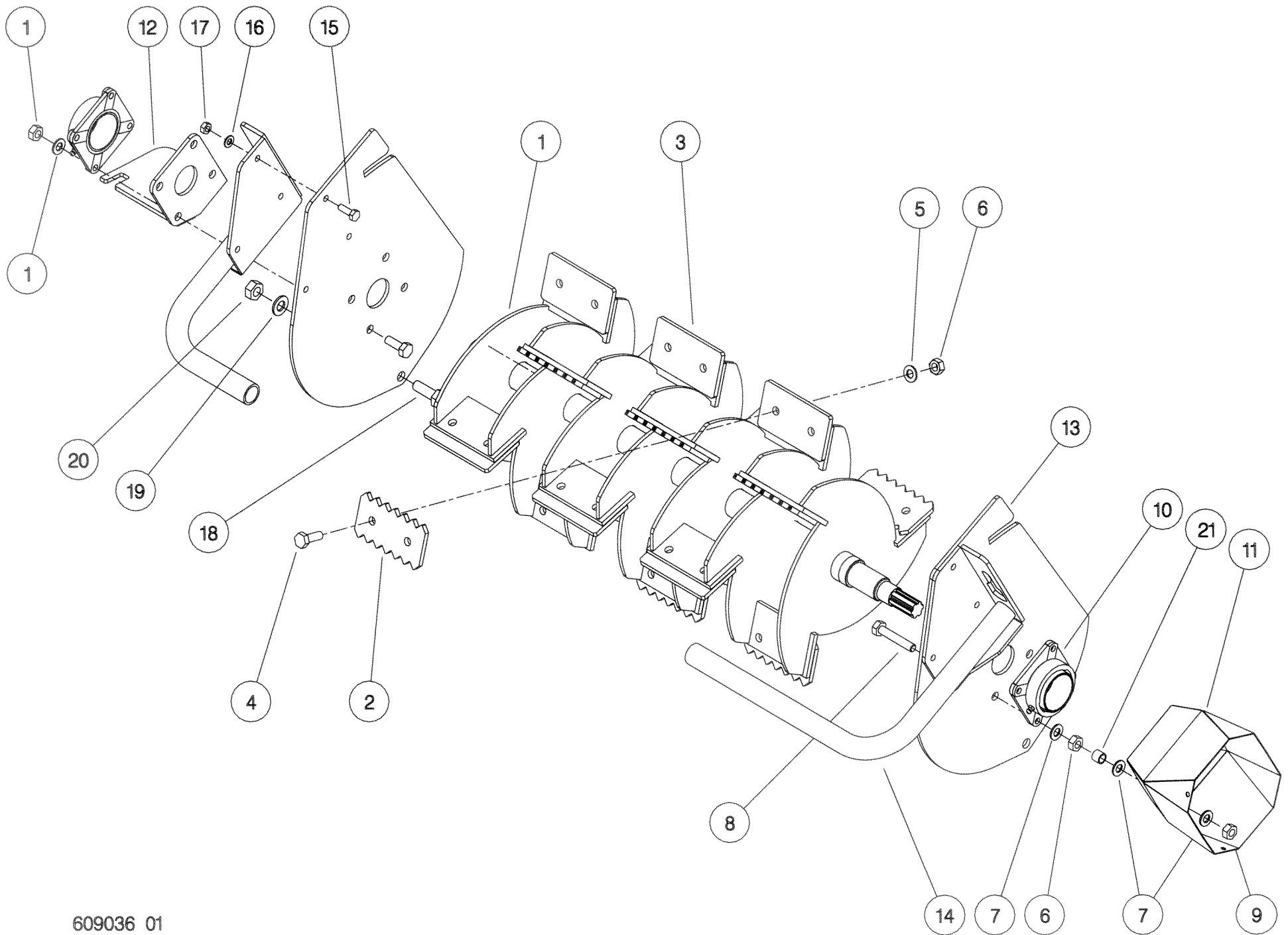
Shelbourne Reynolds Engineering Limited

ASSY NUMBER:		609035 03		ASSY DESCRIPTION:TANDEM AXLE P/SPREAD CON 2200 TUB SUB			
ITEM	PART NO	DESCRIPTION	QTY	ITEM	PART NO	DESCRIPTION	QTY
1	591067 01	CONTRACTOR 2200 TUB W/A	1	37	BLT-2316	BOLT	2
2				38			
3				39	590801 01	LOCKING HANDLE	2
4	HSS-0238	SETSCREW	9	40	PIN-1620	ROLL PIN	2
5	WSH-0018	WASHER	30	41	NIP-00610	GREASE NIPPLE	1
6	NUT-0269	NUT	21	42	590797 01	LOCKING CAM	2
7	590694 01	HOSE TIDY	1	43	190119 80	WASHER	2
8	BLTF08173	COACHBOLT	4	44	HSS-0088	SETSCREW	2
9	WSH-0012	WASHER	22	45	WSH-0009	WASHER	2
10	NUT-0263	NUT	22	46	NUT-0260	NUT	2
11	590311 01	SQUARE SEAL STRIP	1	47	HCPD01200	HYD.PIPE CLAMP	8
12				48	SCW-0083	SCREW	8
13	590308 01	SIDE SEAL CLAMP BAR	2	49	BLT-3790	COACHBOLT	8
14	HSS-0153	SETSCREW	10	50	HSS-0235	SETSCREW	4
15	WSH-0058	WASHER	10				
16	HSS-0157	SETSCREW	12				
17	605328 01	BOTTOM DOOR SEAL	1				
18	605336 01	DOOR SEAL KEEP PLATE	1				
19	NIP-00600	GREASE NIPPLE	3				
20	590729 01	SPRING BRKT W/A	1				
21	HSS-0315	SETSCREW	2				
22	WSH-0024	WASHER	15				
23	NUT-0271	NUT	7				
24	590220 01	PIVOT BAR	1				
25	590400 01	LH TORSION SPRING	1				
26	590491 01	PIVOT BAR DISC	1				
27	BLT-2330	BOLT	1				
28							
29							
30	590197 01	IMPELLER ADJUSTER	2				
31	BLTF16623	COACHBOLT	2				
32	NUT-0385	NUT	4				
33	WSH-0030	WASHER	4				
34	NUT-0185	NUT	2				
35	590802 01	DRIP TRAY W/A	1				
36	590702 01	SPACER	2				



Shelbourne Reynolds Engineering Limited

ASSY NUMBER:		609036 01		ASSY DESCRIPTION:POWERSPREAD IMPELLER SUB ASSY			
ITEM	PART NO	DESCRIPTION	QTY	ITEM	PART NO	DESCRIPTION	QTY
1	590213 01	IMPELLER W/A	1				
2	590215 01	IMPELLER BLADE (SERRATED)	12				
3	590216 01	IMPELLER BLADE (SMOOTH)	6				
4	HSS-0317	SETSCREW	40				
5	WSHA30161	LOCKWASHER	36				
6	NUT-0271	NUT	44				
7	WSH-0024	WASHER	12				
8	HSS-0330	SETSCREW	4				
9	NUT-0180	NUT	16				
10	BRG-25040	BEARING	2				
11	590769 01	GUARD	2				
12	590731 01	SPRING BRKT	1				
13	590730 01	IMPELLER PIVOT PLATE	2				
14	590723 01	IMPELLER GUARD W/A	1				
15	HSS-0241	SETSCREW	6				
16	WSH-0018	WASHER	6				
17	NUT-0269	NUT	6				
18	BLT-2365	BOLT	2				
19	WSH-0030	WASHER	2				
20	NUT-0030	NUT	2				
21	590792 01	IMPELLER GUARD SPACER	4				

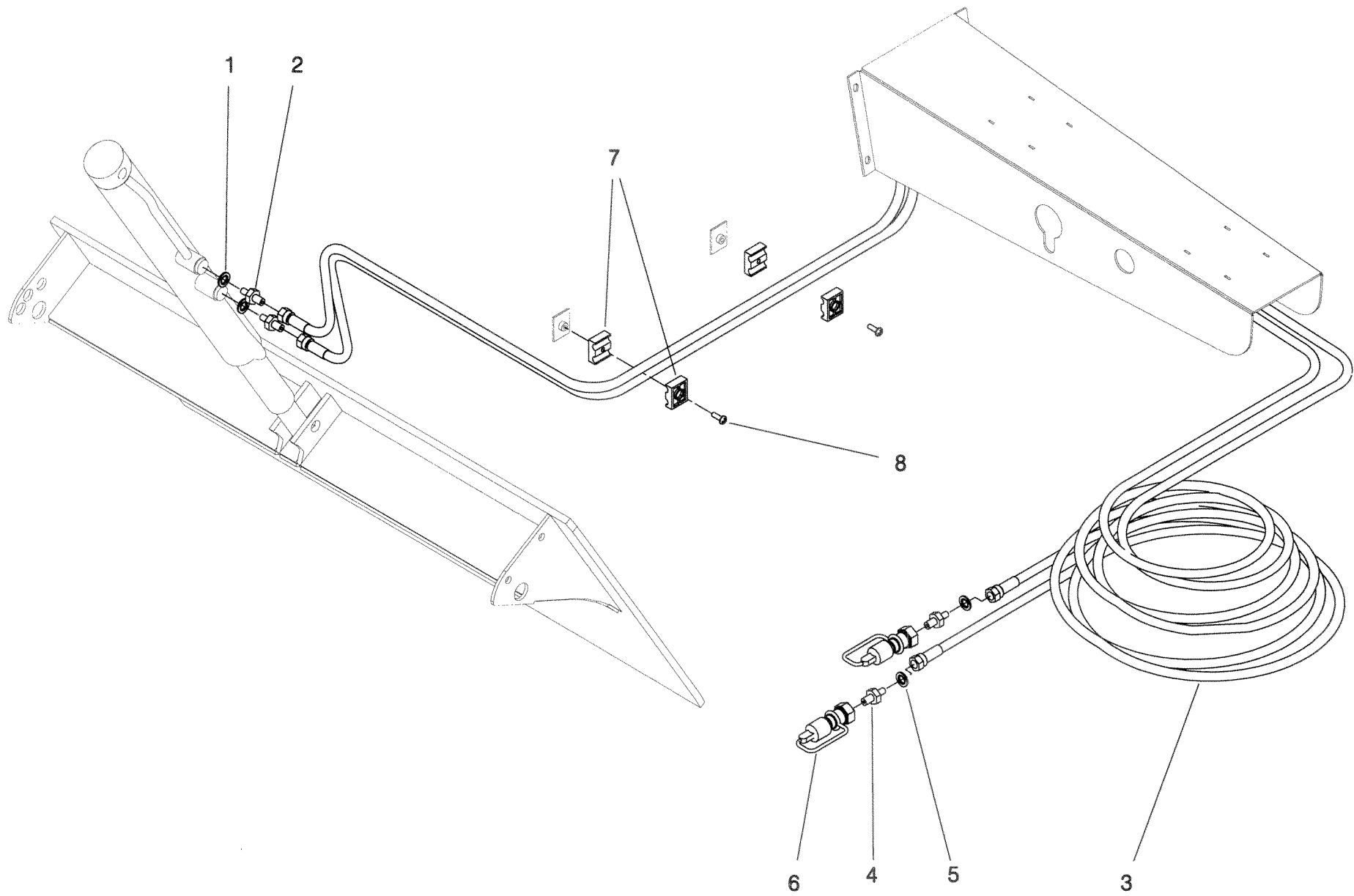


Shelbourne Reynolds Engineering Limited

ASSY NUMBER:		609039 01		ASSY DESCRIPTION: DOOR HYDRAULICS SUB ASSY			
ITEM	PART NO	DESCRIPTION	QTY	ITEM	PART NO	DESCRIPTION	QTY
1	WSH-1010	DOWTY WASHER	2				
2	FIT-0025	M/M ADAPT	2				
3	HHBC55005	HOSE ASSY	2				
4	HMA-0055	M/M ADAPT	2				
5	WSH-1015	DOWTY WASHER	2				
6	COU-0162	QUICK RELEASE COUPLING	2				
7	HCPD01200	PIPE CLAMP	5				
8	SCW-0083	CP HD SCREW	5				

Shelbourne Reynolds Engineering Limited

ASSY NUMBER: 609039 02		ASSY DESCRIPTION: DOOR HYDRAULICS SUB ASSY (2200 GAL)					
ITEM	PART NO	DESCRIPTION	QTY	ITEM	PART NO	DESCRIPTION	QTY
1	WSH-1010	DOWTY WASHER	2				
2	FIT-0025	M/M ADAPT	2				
3	HHBC60005	HOSE ASSY	2				
4	HMA-0055	M/M ADAPT	2				
5	WSH-1015	DOWTY WASHER	2				
6	COU-0162	QUICK RELEASE COUPLING	2				
7	HCPD01200	PIPE CLAMP	6				
8	SCW-0083	CP HD SCREW	6				

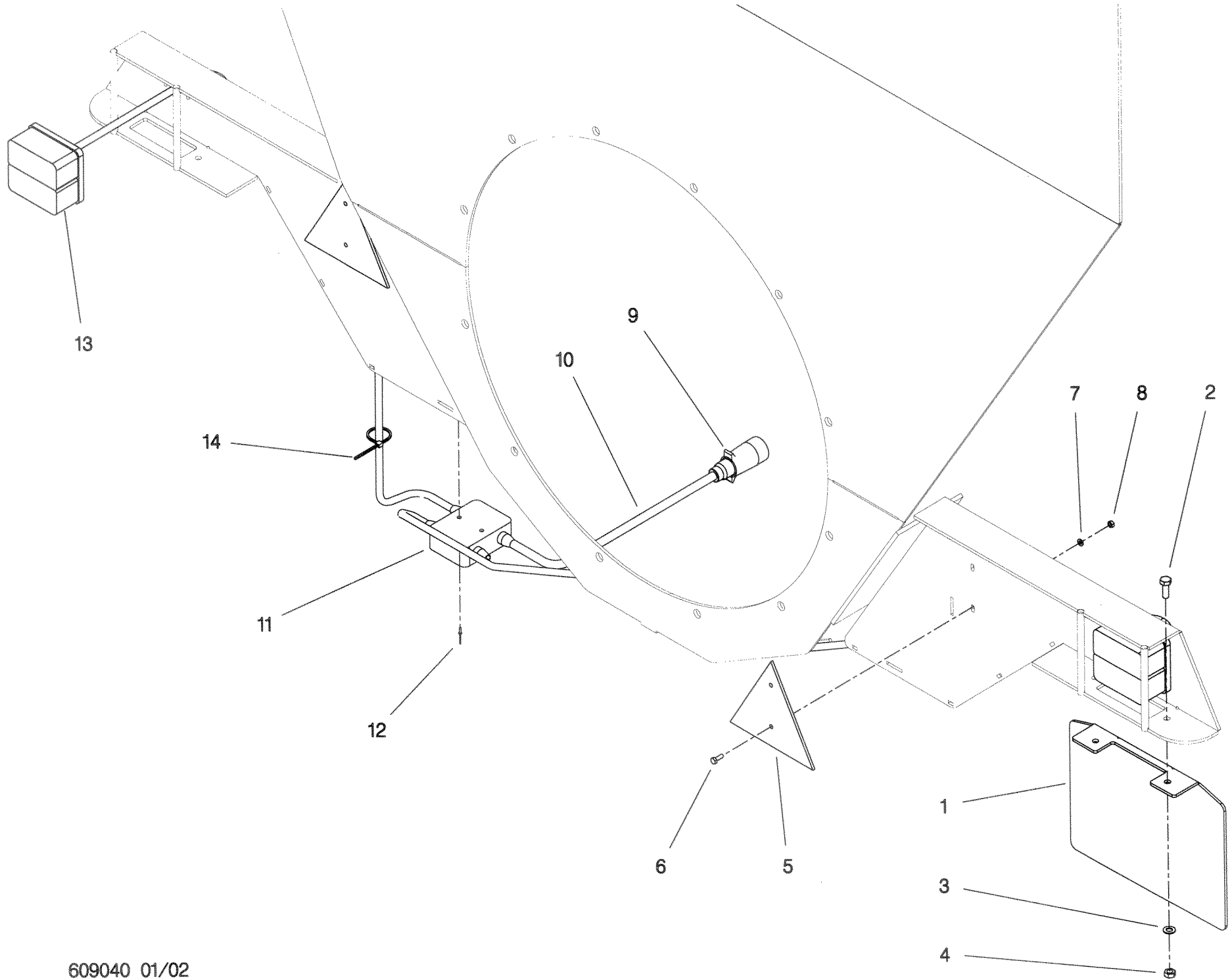


Shelbourne Reynolds Engineering Limited

ASSY NUMBER:		609040 01		ASSY DESCRIPTION: LIGHTING SUB ASSY			
ITEM	PART NO	DESCRIPTION	QTY	ITEM	PART NO	DESCRIPTION	QTY
1	590774 01	NO PLATE BRACKET	1				
2	HSS-0140	SETSCREW	2				
3	WSH-0012	WASHER	2				
4	NUT-0263	NYLOC NUT	2				
5	REF-0030	REFLECTOR	2				
6	HSS-0065	SETSCREW	4				
7	WSH-0006	WASHER	4				
8	NUT-0258	NYLOC NUT	4				
9	PLG-0005	7 PIN PLUG	1				
10	CBL-03530	CABLE	10				
11	JNC-00000	JUNCTION BOX	1				
12	POP-0007	POP RIVET	2				
13	LMP-10400	LIGHT CLUSTER	2				
14	TIE-0004	CABLE TIE	32				

Shelbourne Reynolds Engineering Limited

ASSY NUMBER: 609040 02		ASSY DESCRIPTION: LIGHTING SUB ASSY (2200 GAL)					
ITEM	PART NO	DESCRIPTION	QTY	ITEM	PART NO	DESCRIPTION	QTY
1	590774 01	No PLATE BRACKET	1				
2	HSS-0140	SETSCREW	2				
3	WSH-0012	WASHER	2				
4	NUT-0263	NYLOC NUT	2				
5	REF-0030	REFLECTCOR	2				
6	HSS-0065	SETSCREW	4				
7	WSH-0006	WASHER	4				
8	NUT-0258	NYLOC NUT	4				
9	PLG-0005	7 PIN PLUG	1				
10	CBL-03530	CABLE	11.6				
11	JNC-00000	JUNCTION BOX	1				
12	POP-0007	POP RIVET	2				
13	LMP-10400	LIGHT CLUSTER	2				
14	TIE-0004	CABLE TIE	42				



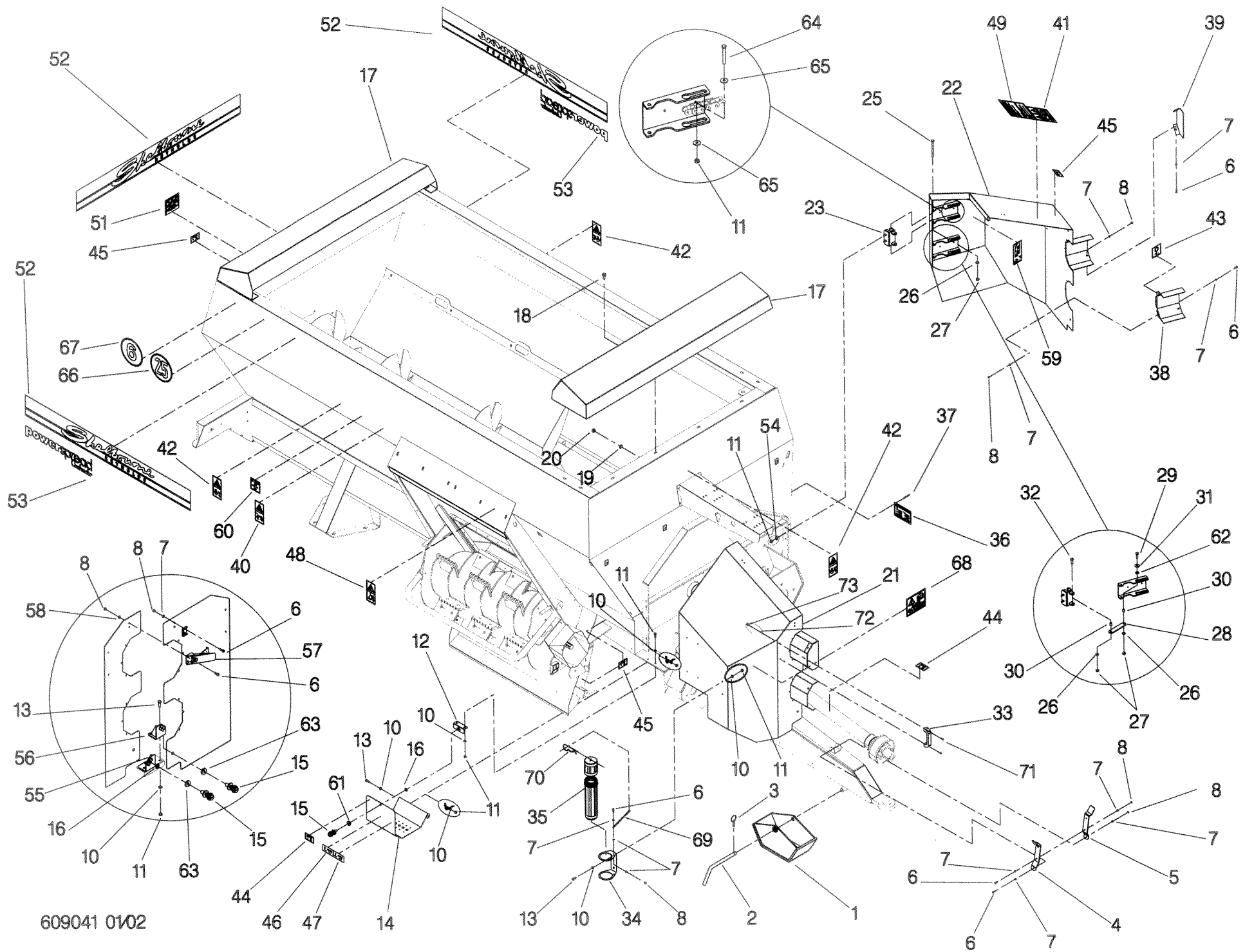
609040 01/02

Shelbourne Reynolds Engineering Limited

ASSY NUMBER:		609041 01		ASSY DESCRIPTION: GUARDS & FIXTURES SUB ASSY			
ITEM	PART NO	DESCRIPTION	QTY	ITEM	PART NO	DESCRIPTION	QTY
1	590463 01	DETACHABLE SKID	1	37	POP-0006	POP RIVET	4
2	590466 01	LOCKING HANDLE	1	38	590756 01	FRONT GUARD	4
3	PIN-01950	LYNCH PIN	3	39	590757 01	COVER PLATE	2
4	590759 01	PTO REST LH	1	40	590477 01	TRANSFER (FLYING OBJECTS)	1
5	590759 02	PTO REST RH	1	41	TNF-0011	TRANSFER (BLOCK TRANSFER)	1
6	HSS-0086	SETSCREW	26	42	590479 01	TRANSFER (DO NOT ENTER TUB)	3
7	WSH-0009	WASHER	22	43	590475 01	TRANSFER (PTO MAX)	1
8	NUT-0260	NUT	26	44	127075 12	TRANSFER (10 HOURS GREASE)	2
9	BLTA08500	BOLT	1	45	127075 16	TRANSFER (50 HOURS GREASE)	4
10	WSH-0012	WASHER	17	46	590474 01	TRANSFER (IMPELLER SHEARBOLT)	1
11	NUT-0263	NUT	19	47	590961 01	TRANSFER (DRIVE SHEARBOLT)	1
12	590754 01	FIXING PLATE	1	48	590476 01	TRANSFER (NO STEP)	1
13	HSS-0145	SETSCREW	8	49	590188 01	TRANSFER (OPERATION PROC)	1
14	590755 01	PTO GUARD	1	50			
15	LTC-0010	HEX HD RELEASE LOCK	3	51	610563 01	TRANSFER (UNION JACK)	1
16	LTC-0012	RETAINING WASHER	3	52	191981 01	TRANSFER (SHELBOURNE 3 COLOUR)	3
17	590619 01	SLURRY CANOPY W/A	2	53	590771 01	TRANSFER (PSPREAD CONTRACTOR)	2
18	HSS-0238	SETSCREW	16	54	190119 08	WASHER	8
19	WSH-0018	WASHER	16	55	590783 01	GUARD LOCKING BRACKET RH	1
20	NUT-0269	NUT	16	56	590783 02	GUARD LOCKING BRACKET LH	1
21	590760 01	FRONT GUARD RH	1	57	LTH-01015	ADJUSTABLE LATCH	2
22	590761 01	FRONT GUARD LH	1	58	WSH-1036	PENNY WASHER	4
23	590763 01	HINGE BRKT W/A	4	59	590787 01	TRANSFER (DRIVE ARRANGEMENT)	1
24				60	590788 01	TRANSFER (WHEEL NUTS)	2
25	BLTA10620	BOLT	4	61	590776 01	FASTENER SPACER	1
26	WSH-0015	WASHER	8	62	190119 79	WASHER	2
27	NUT-0265	NUT	8	63	590776 02	FASTENER SPACER	2
28	590766 01	HINGE PLATE	2	64	BLTA08410	BOLT	2
29	BLTA10290	SETSCREW	2	65	WSH-1038	WASHER	4
30	590768 03	HINGE PIVOT TUBE	4	66	611033 01	25km/h TRANSFER	3
31	190119 75	WASHER	2	67	612610 01	6km/h TRANSFER	3
32	HSS-0198	SETSCREW	2	68	590982 01	TRANSFER (AUGER REVERSER)	1
33	HND-0000	BLACK PLASTIC HANDLE	2				
34	194364 01	CANNISTER BRKT	1				
35	WDA-00025	MANUAL HOLDER	1				
36	590145 01	IDENTIFICATION PLATE (U.K)	1				
OR	TNF-0201	IDENTIFICATION PLATE (GER)	1				
OR	612296 01	IDENTIFICATION PLATE (USA)	1				

Shelbourne Reynolds Engineering Limited

ASSY NUMBER: 609041 02		ASSY DESCRIPTION: GUARDS & FIXTURES SUB ASSY					
ITEM	PART NO	DESCRIPTION	QTY	ITEM	PART NO	DESCRIPTION	QTY
				37	POP-0006	POP RIVET	4
1				38	590756 01	FRONT GUARD	4
2				39	590757 01	COVER PLATE	2
3				40	590477 01	TRANSFER (FLYING OBJECTS)	1
4	590759 01	PTO REST LH	1	41	TNF-0011	TRANSFER (BLOCK TRANSFER)	1
5	590759 02	PTO REST RH	1	42	590479 01	TRANSFER (DO NOT ENTER TUB)	3
6	HSS-0086	SETSCREW	29	43			
7	WSH-0009	WASHER	46	44	127075 12	TRANSFER (10 HOURS GREASE)	2
8	NUT-0260	NUT	29	45	127075 16	TRANSFER (50 HOURS GREASE)	4
9	BLTA08500	BOLT	1	46	590474 01	TRANSFER (IMPELLER SHEARBOLT)	1
10	WSH-0012	WASHER	19	47	590961 01	TRANSFER (DRIVE SHEARBOLT)	1
11	NUT-0263	NUT	21	48	590476 01	TRANSFER (NO STEP)	1
12	590754 01	FIXING PLATE	1	49	590188 01	TRANSFER (OPERATION PROC)	1
13	HSS-0145	SETSCREW	10	50			
14	590755 01	PTO GUARD	1	51	610563 01	TRANSFER (UNION JACK)	1
15	LTC-0010	HEX HD RELEASE LOCK	3	52	191981 01	TRANSFER (SHELBOURNE 3 COLOUR)	3
16	LTC-0012	RETAINING WASHER	3	53	590771 01	TRANSFER (PSPREAD CONTRACTOR)	2
17				54	190119 08	WASHER	8
18				55	590783 01	GUARD LOCKING BRACKET RH	1
19				56	590783 02	GUARD LOCKING BRACKET LH	1
20				57	LTH-01015	ADJUSTABLE LATCH	2
21	590760 01	FRONT GUARD RH	1	58	WSH-1036	PENNY WASHER	4
22	590761 01	FRONT GUARD LH	1	59			
23	590763 01	HINGE BRKT W/A	4	60	590788 01	TRANSFER (WHEEL NUTS)	2
24				61	590776 01	FASTENER SPACER	1
25	BLTA10620	BOLT	4	62	190119 79	WASHER	2
26	WSH-0015	WASHER	8	63	590776 02	FASTENER SPACER	2
27	NUT-0265	NUT	8	64	BLTA08410	BOLT	2
28	590766 01	HINGE PLATE	2	65	WSH-1038	WASHER	4
29	BLTA10290	SETSCREW	2	66	611033 01	25km/h TRANSFER	3
30	590768 03	HINGE PIVOT TUBE	4	67	612610 01	6km/h TRANSFER	3
31	190119 75	WASHER	2	68	590982 01	TRANSFER (AUGER REVERSER)	1
32	HSS-0198	SETSCREW	2	69	CHN-0145	CHAIN	17
33	HND-0000	BLACK PLASTIC HANDLE	2	70	RCL-0015	R CLIP	1
34	194364 01	CANNISTER BRKT	1	71	HSS-0065	SETSCREW	4
35	WDA-00025	MANUAL HOLDER	1	72	WSH-0006	WASHER	4
36	590145 01	IDENTIFICATION PLATE (U.K)	1	73	NUT-0258	NUT	4
OR	TNF-0201	IDENTIFICATION PLATE (GER)	1				
OR	612296 01	IDENTIFICATION PLATE (USA)	1				



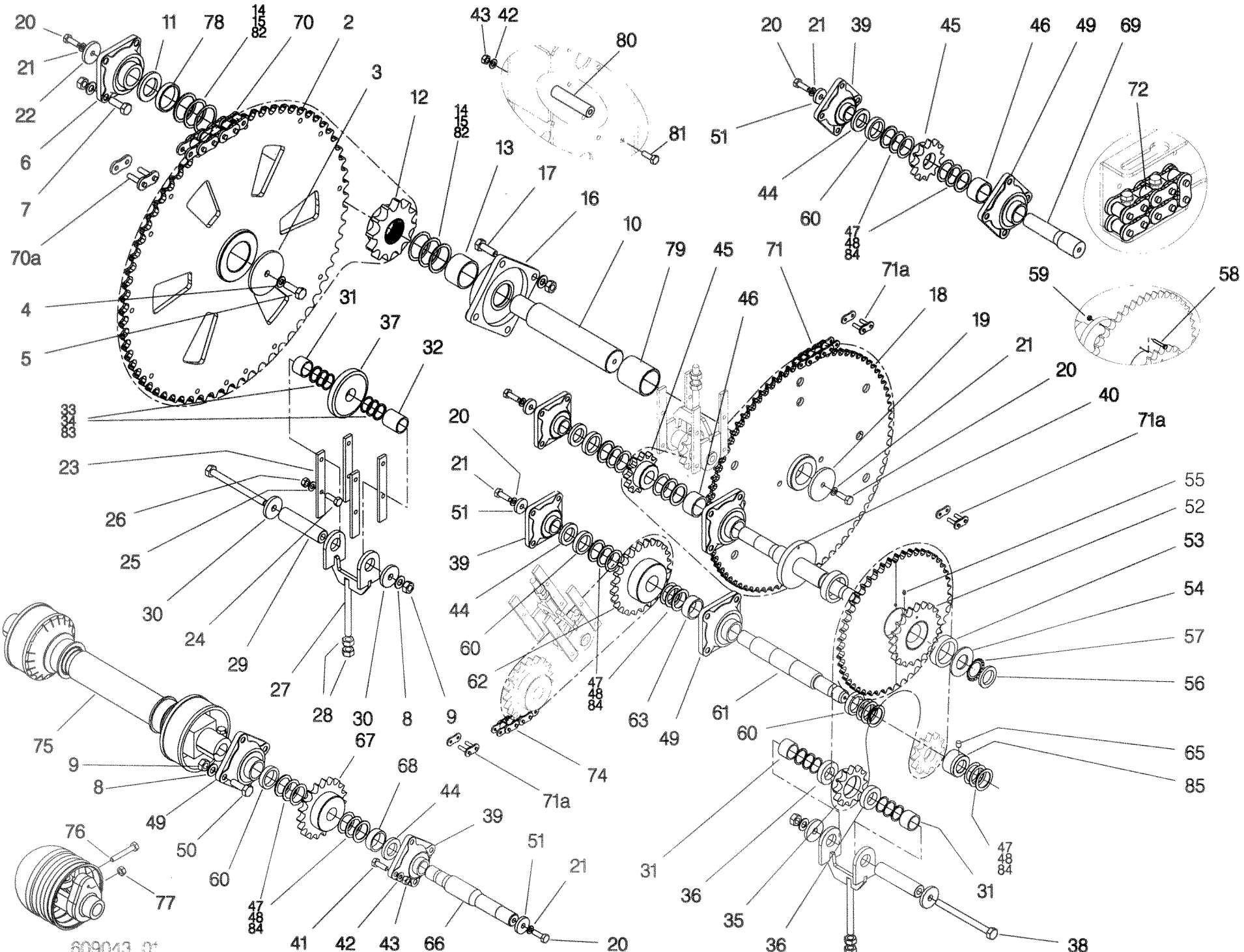
609041 01/02

Shelbourne Reynolds Engineering Limited

ASSY NUMBER:		609043 01		ASSY DESCRIPTION:DRIVES SUB ASSY 2200 (FOR 107112 Mc ONLY)			
ITEM	PART NO	DESCRIPTION	QTY	ITEM	PART NO	DESCRIPTION	QTY
1				39	BRG-23545	BEARING	4
2	607041 01	SPROCKET 66T	1	40	607075 01	DRIVE SHAFT ASSY	1
3	590491 01	WASHER	1	41	HSS-0250	SETSCREW	16
4	WSH-0070	WASHER	1	42	WSH-0018	WASHER	18
5	HSS-0315	SETCREW	1	43	NUT-0269	NUT	18
6	BRG-25041	BEARING	1	44	190119 69	WASHER	4
7	HSS-0319	SETSCREW	4	45	607055 01	SPROCKET 12T	2
8	WSH-0024	WASHER	24	46	590717 01	SPACER TUBE	2
9	NUT-0271	NUT	28	47	190119 77	WASHER	10
10	607060 01	DRIVE SHAFT	1	48	190119 71	WASHER	10
11	190119 65	WASHER	1	49	BRG-24541	BEARING	4
12	610867 01	SPROCKET 12T	1	50	HSS-0317	SETSCREW	16
13	590718 01	SPACER TUBE	1	51	190119 13	WASHER	4
14	190119 78	WASHER	2	52	590860 01	DOUBLE SPROCKET 24T/48T	1
15	190119 67	WASHER	2	53	BSH-3019	BUSH	2
16	BRG-26545	BEARING	1	54	190119 72	WASHER	1
17	HSS-0318	SETSCREW	4	55	NIP-00600	GREASE NIPPLE	1
18	607044 01	SPROCKET 81T	1	56	NUT-3010	LOCK NUT	1
19	190119 68	WASHER	1	57	WSH-6010	LOCK WASHER	1
20	HSS-0235	SETSCREW	6	58	BLTA06260	SHEARBOLT	6
21	WSH-0065	WASHER	6	59	NUT-0260	NUT	6
22	190119 64	WASHER	1	60	590717 04	WASHER	5
23	590671 01	TENSIONER RUNNER	12	61	590865 01	DRIVE SHAFT	1
24	HSS-0198	SETSCREW	24	62	590864 01	SPROCKET 24T	1
25	WSH-0015	WASHER	31	63	590717 05	SPACER TUBE	1
26	NUT-0265	NUT	24	64			
27	590668 01	IDLER ADJUSTER ASSY	4	65	SCW-4595	GRUB SCREW	1
28	NUT-0167	NUT	8	66	607077 01	DRIVE SHAFT	1
29	590669 01	SPINDLE	4	67	590862 01	SPROCKET 18T	1
30	190119 60	WASHER	8	68	590717 03	SPACER TUBE	1
31	590670 01	SPACER TUBE	7	69	607078 01	DRIVE SHAFT	1
32	590670 02	SPACER TUBE	1	70	CHN-03881	CHAIN	1
33	190119 76	WASHER	8	70a	CHN=03800	JOINING LINK	1
34	190119 74	WASHER	8	71	CHN-02583	CHAIN	1
35	607050 01	TENSIONER SPROCKET 12T	3	71a	CHN-02501	JOINING LINK	1
36	BRG-13505	BEARING	6	72	CHN-02584	CHAIN	
37	590722 01	TENSIONER RING	1	73			
38	BLTA16810	BOLT	4	74	CHN-02586	CHAIN	1

Shelbourne Reynolds Engineering Limited

ASSY NUMBER: 609043 01 CONTINUED				ASSY DESCRIPTION:DRIVES SUB ASSY 2200 (FOR 107112 Mc ONLY)			
ITEM	PART NO	DESCRIPTION	QTY	ITEM	PART NO	DESCRIPTION	QTY
75	PTO-14003	PTO SHAFT C/W GUARD	1				
76	605123 01	SHEARBOLT	6				
77	NUT-0263	NUT	6				
78	590718 02	SPACER TUBE	1				
79	607079 01	81T SPROCKET SLEEVE	1				
80	590789 01	NYLON RUNNER	2				
81	BLTA12750	BOLT	2				
82	190119 66	WASHER	2				
83	190119 59	WASHER	8				
84	190119 70	WASHER	10				
85	590795 01	LOCKING COLLAR	1				



609043 01

Shelbourne Reynolds Engineering Limited

ASSY NUMBER:		ASSY DESCRIPTION:DRIVES ASSY 1600 GAL(FOR 113112 ONWARDS)					
ITEM	PART NO	DESCRIPTION	QTY	ITEM	PART NO	DESCRIPTION	QTY
2	607041 01	SPROCKET 66T	1	37	BRG-24541	BEARING	4
3	590491 01	WASHER	1	38	HSS-0317	SETSCREW	24
4	WSH-0070	WASHER	9	39	190119 13	WASHER	4
5	HSS-0315	SETCREW	1	40	190119 74	WASHER	4
6	BRG-25041	BEARING	1	41	BSH-3019	BUSH	2
7	HSS-0319	SETSCREW	4	42	190119 72	WASHER	1
8	WSH-0024	WASHER	34	43	NIP-00600	GREASE NIPPLE	1
9	NUT-0271	NUT	32	44	NUT-3010	LOCK NUT	1
10	590906 01	DRIVE SHAFT	1	45	WSH-6010	LOCK WASHER	1
11	BRG-23050	BEARING	6	46	BLTA06264	SHEARBOLT	6
12	590892 01	SPROCKET 12T	1	47	NUT-0260	NUT	6
13	590902 01	MOUNTING BRACKET LH	4	48	590909 01	DRIVE SHAFT	1
14	590902 02	MOUNTING BRACKET RH	4	49	590864 01	SPROCKET 24T	1
15	190119 67	WASHER	2	50	SCW-4595	GRUB SCREW	8
16	BRG-26545	BEARING	1	51	590912 01	DRIVE SHAFT	1
17	HSS-0318	SETSCREW	4	52	590862 01	SPROCKET 18T	1
18	607044 01	SPROCKET 81T	1	53	591088 01	IDLE SHAFT	1
19	190119 68	WASHER	1	54	CHN-03881	CHAIN	1
20	HSSG12174	TENSILOC SETSCREW	5	54a	CHN-03800	JOINING LINK	1
21	WSHA30161	LOCK WASHER	1	55	CHN-02583	CHAIN	1
22	190119 64	WASHER	1	55a	CHN-02501	JOINING LINK	1
23	WSHA30121	LOCKWASHER	1	56	CHN-02584	CHAIN	1
24	190119 85	WASHER	16	57	CHN-02586	CHAIN	1
25	590905 01	DUMMY BEARING	2	58	PTO-14001W	PTO SHAFT	1
26	SCW-4530	GRUB SCREW	2	OR	(s/n??????)	AND ON)	
27	590897 01	TENSIONER W/A	1	58a	PTO-14001	PTO SHAFT	1
28	590896 01	IDLER W/A	3			(UP TO s/n ??????)	
29	590899 01	ADJUSTER W/A	4	59	605123 01	SHEARBOLT	6
30	NUT-0180	NUT	11	60	NUT-0263	NUT	6
31	BRG-23545	BEARING	4	61	607079 01	81T SPROCKET SLEEVE	1
32	590979 01	DRIVE SHAFT ASSY	1	62	590789 01	NYLON RUNNER	2
		(SERIAL No. 129112 ONWARDS)		63	BLTA12750	BOLT	2
OR	590907 01	DRIVE SHAFT ASSY	1	64	190119 66	WASHER	2
		(SERIAL No. 113112 - 128112)		65	CHN-02585	CHAIN	1
33	HSS-0250	SETSCREW	16	66	CHN-03810	HALF LINK	1
34	WSH-0018	WASHER	18	67			
35	NUT-0269	NUT	18	68			
36	607055 01	SPROCKET 12T	1	69			

Shelbourne Reynolds Engineering Limited

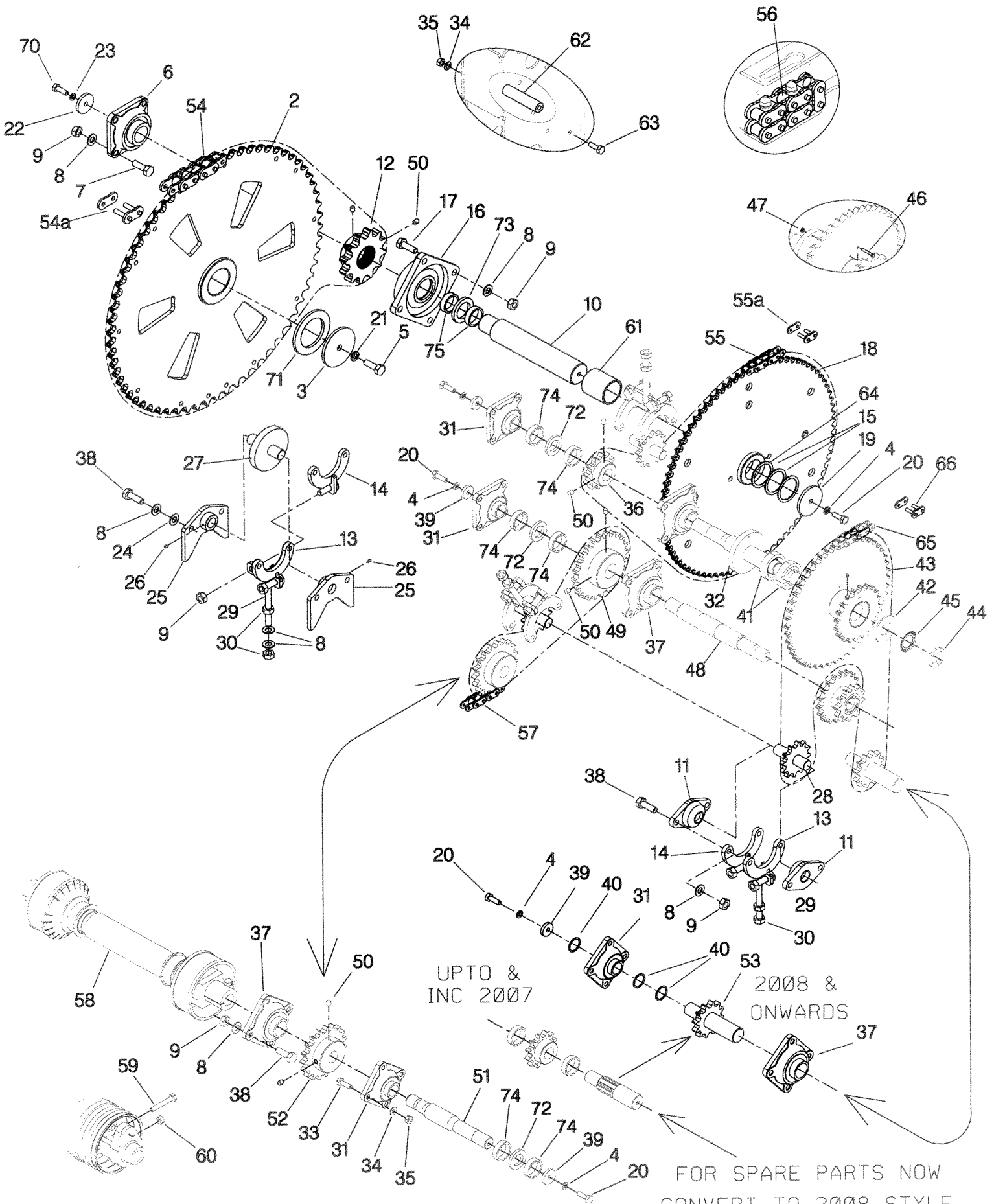
ASSY NUMBER:		609046 01 CONT..		ASSY DESCRIPTION:DRIVES ASSY 1600 GAL(FOR 113112 ONWARDS)			
ITEM	PART NO	DESCRIPTION	QTY	ITEM	PART NO	DESCRIPTION	QTY
70	BLTA12350	BOLT	1				
71	590651 06	INPUT SHAFT SHIM	1				
72	190119 69	WASHER	4				
73	190548 21	WASHER	1				
74	590717 06	SPACER TUBE 11mm	A/R				
OR	590717 07	SPACER TUBE 13mm	A/R				
	590717 08	SPACER TUBE 15mm	A/R				
	590717 09	SPACER TUBE 19mm	A/R				
	590717 10	SPACER TUBE 21mm	A/R				
	590717 11	SPACER TUBE 23mm	A/R				
	590717 12	SPACER TUBE 24mm	A/R				
	590717 13	SPACER TUBE 26mm	A/R				
	590717 14	SPACER TUBE 28mm	A/R				
	590717 15	SPACER TUBE 33mm	A/R				
	590717 16	SPACER TUBE 35mm	A/R				
	590717 17	SPACER TUBE 37mm	A/R				
	590717 18	SPACER TUBE 39mm	A/R				
75	590718 03	SPACER TUBE 14mm	A/R				
or	590718 04	SPACER TUBE 16mm	A/R				
	590718 05	SPACER TUBE 18mm	A/R				
	590718 06	SPACER TUBE 47mm	A/R				
	590718 07	SPACER TUBE 49mm	A/R				
	590718 08	SPACER TUBE 51mm	A/R				
	590718 09	SPACER TUBE 2mm	A/R				
	590718 10	SPACER TUBE 1mm	A/R				

Shelbourne Reynolds Engineering Limited

ASSY NUMBER:		609046 02		ASSY DESCRIPTION:DRIVES ASSY 2200 GAL(FOR 113112 ONWARDS)			
ITEM	PART NO	DESCRIPTION	QTY	ITEM	PART NO	DESCRIPTION	QTY
2	607041 01	SPROCKET 66T	1	37	BRG-24541	BEARING	4
3	590491 01	WASHER	1	38	HSS-0317	SETSCREW	24
4	WSH-0070	WASHER	9	39	190119 13	WASHER	4
5	HSS-0315	SETCREW	1	40	190119 74	WASHER	4
6	BRG-25041	BEARING	1	41	BSH-3019	BUSH	2
7	HSS-0319	SETSCREW	4	42	190119 72	WASHER	1
8	WSH-0024	WASHER	34	43	NIP-00600	GREASE NIPPLE	1
9	NUT-0271	NUT	32	44	NUT-3010	LOCK NUT	1
10	590906 01	DRIVE SHAFT	1	45	WSH-6010	LOCK WASHER	1
11	BRG-23050	BEARING	6	46	BLTA06264	SHEARBOLT	6
12	590892 01	SPROCKET 12T	1	47	NUT-0260	NUT	6
13	590902 01	MOUNTING BRACKET LH	4	48	590909 01	DRIVE SHAFT	1
14	590902 02	MOUNTING BRACKET RH	4	49	590864 01	SPROCKET 24T	1
15	190119 67	WASHER	2	50	SCW-4595	GRUB SCREW	8
16	BRG-26545	BEARING	1	51	590912 01	DRIVE SHAFT	1
17	HSS-0318	SETSCREW	4	52	590862 01	SPROCKET 18T	1
18	607044 01	SPROCKET 81T	1	53	591088 01	IDLE SHAFT	1
19	190119 68	WASHER	1	54	CHN-03881	CHAIN	1
20	HSSG12174	TENSILOC SETSCREW	5	54a	CHN-03800	JOINING LINK	1
21	WSHA30161	LOCK WASHER	1	55	CHN-02583	CHAIN	1
22	190119 64	WASHER	1	55a	CHN-02501	JOINING LINK	1
23	WSHA30121	LOCKWASHER	1	56	CHN-02584	CHAIN	1
24	190119 85	WASHER	16	57	CHN-02586	CHAIN	1
25	590905 01	DUMMY BEARING	2	58	PTO-14003W	PTO SHAFT	1
26	SCW-4530	GRUB SCREW	2	OR		(s/n ?????? AND ON)	
27	590897 01	TENSIONER W/A	1	58a	PTO-14003	PTO SHAFT	1
28	590896 01	IDLER W/A	3			(UP TO s/n ??????)	
29	590899 01	ADJUSTER W/A	4	59	605123 01	SHEARBOLT	6
30	NUT-0180	NUT	11	60	NUT-0263	NUT	6
31	BRG-23545	BEARING	4	61	607079 01	81T SPROCKET SLEEVE	1
32	590979 01	DRIVE SHAFT ASSY (SERIAL No. 129112 ONWARDS)	1	62	590789 01	NYLON RUNNER	2
OR	590907 01	DRIVE SHAFT ASSY (SERIAL No. 113112 - 128112)	1	63	BLTA12750	BOLT	2
33	HSS-0250	SETSCREW	16	64	190119 66	WASHER	2
34	WSH-0018	WASHER	18	65	CHN-02585	CHAIN	1
35	NUT-0269	NUT	18	66	CHN-03810	HALF LINK	1
36	607055 01	SPROCKET 12T	1	67			
				68			
				69			

Shelbourne Reynolds Engineering Limited

ASSY NUMBER:		609046 02 CONT..		ASSY DESCRIPTION:DRIVES ASSY 2200 GAL(FOR 113112 ONWARDS)			
ITEM	PART NO	DESCRIPTION	QTY	ITEM	PART NO	DESCRIPTION	QTY
70	BLTA12350	BOLT	1				
71	590651 06	INPUT SHAFT SHIM	1				
72	190119 69	WASHER	4				
73	190548 21	WASHER	1				
74	590717 06	SPACER TUBE 11mm	A/R				
OR	590717 07	SPACER TUBE 13mm	A/R				
	590717 08	SPACER TUBE 15mm	A/R				
	590717 09	SPACER TUBE 19mm	A/R				
	590717 10	SPACER TUBE 21mm	A/R				
	590717 11	SPACER TUBE 23mm	A/R				
	590717 12	SPACER TUBE 24mm	A/R				
	590717 13	SPACER TUBE 26mm	A/R				
	590717 14	SPACER TUBE 28mm	A/R				
	590717 15	SPACER TUBE 33mm	A/R				
	590717 16	SPACER TUBE 35mm	A/R				
	590717 17	SPACER TUBE 37mm	A/R				
	590717 18	SPACER TUBE 39mm	A/R				
75	590718 03	SPACER TUBE 14mm	A/R				
or	590718 04	SPACER TUBE 16mm	A/R				
	590718 05	SPACER TUBE 18mm	A/R				
	590718 06	SPACER TUBE 47mm	A/R				
	590718 07	SPACER TUBE 49mm	A/R				
	590718 08	SPACER TUBE 51mm	A/R				
	590718 09	SPACER TUBE 2mm	A/R				
	590718 10	SPACER TUBE 1mm	A/R				



FOR SPARE PARTS NOW
 CONVERT TO 2008 STYLE
 USING KIT-03640

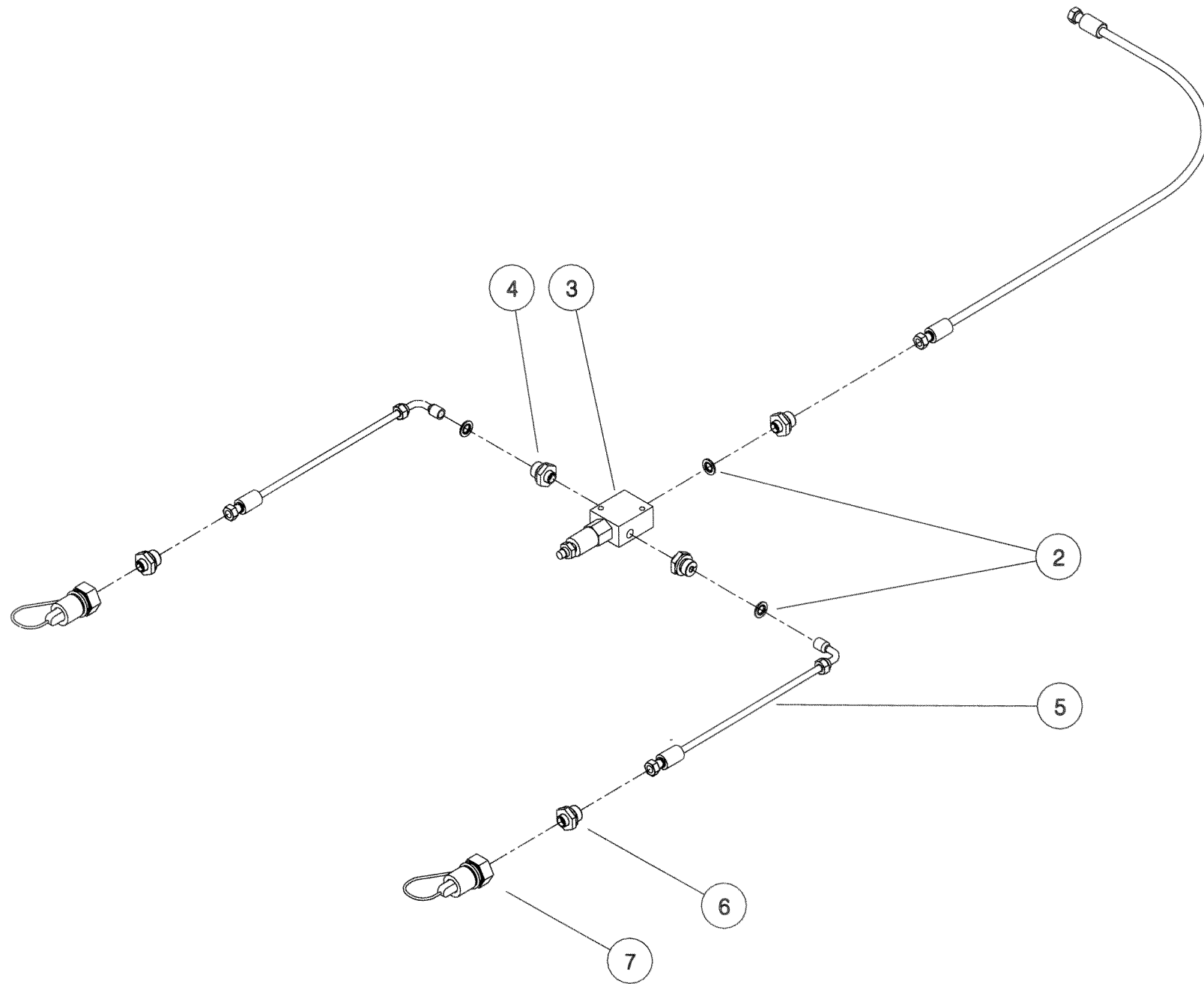
powerspread

Contractor

KIT OPTIONS

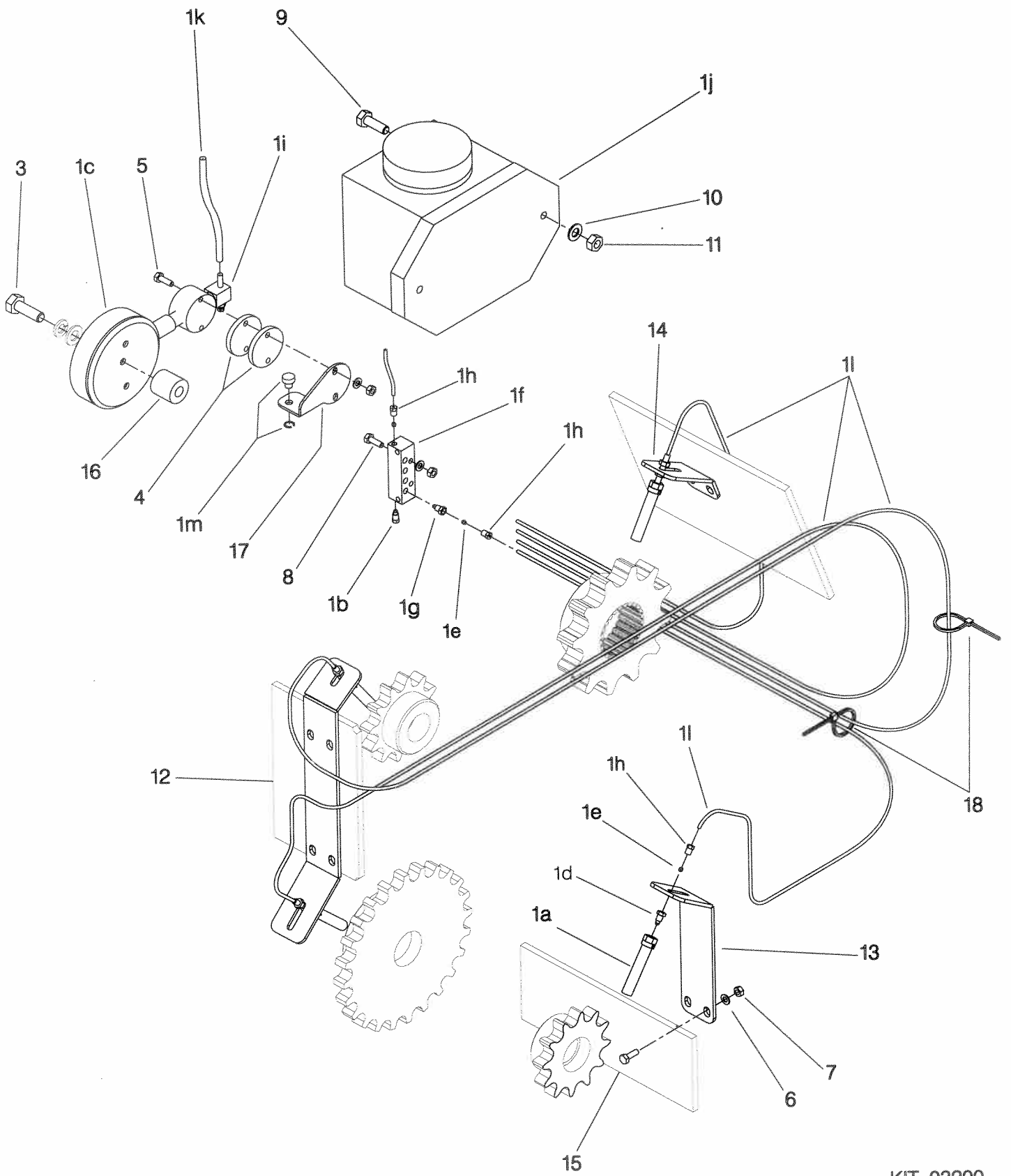
Shelbourne Reynolds Engineering Limited

ASSY NUMBER:		KIT-02602		ASSY DESCRIPTION: BRAKE RELIEF KIT			
ITEM	PART NO	DESCRIPTION	QTY	ITEM	PART NO	DESCRIPTION	QTY
1							
2	WSH-1005	DOWTY WASHER	3				
3	HVB-22110	RELIEF VALVE	1				
4	HMA-0052	ADAPTOR	3				
5	HHBC02505	HYDRAULIC HOSE ASSY	2				
6	HMA-0055	ADAPTOR	2				
7	WSH-1015	DOWTY WASHER	2				
8	COU-0162	Q.R COUPLING	2				



Shelbourne Reynolds Engineering Limited

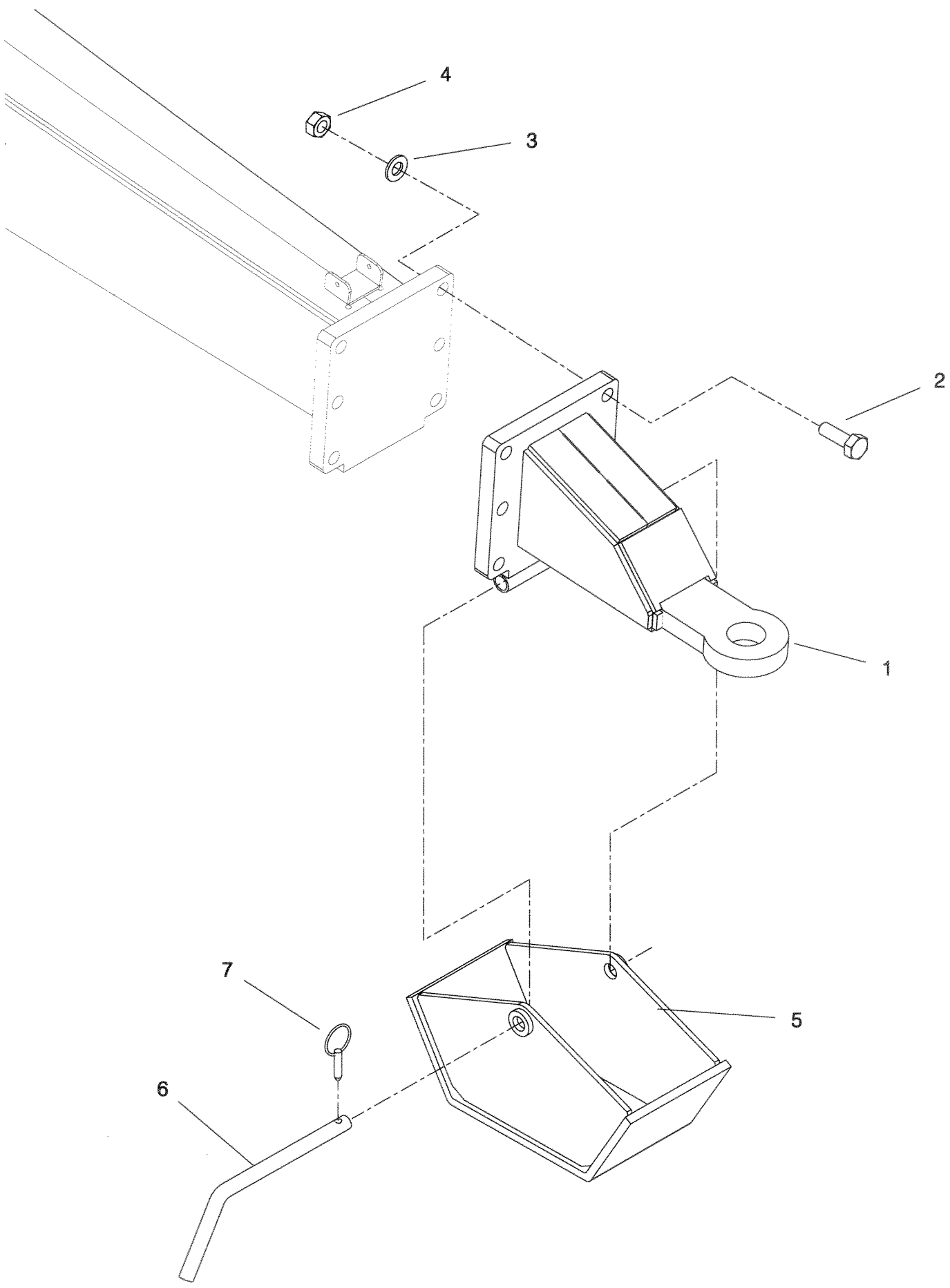
ASSY NUMBER:		KIT-03200		ASSY DESCRIPTION: PSPREAD CONTRACTOR-SELF LUBRICANT KIT			
ITEM	PART NO	DESCRIPTION	QTY	ITEM	PART NO	DESCRIPTION	QTY
1	LUB-00001	MASTERLUBE LUBRICATION SYS.	1				
1a	LUB-00002	BRUSH					
1b	LUB-00003	BLANK PLUG					
1c	LUB-00004	ADJ CAM					
1d	LUB-00005	CONNECTOR					
1e	LUB-00006	ENOT OLIVE					
1f	LUB-00007	MANIFOLD 4-WAY					
1g	LUB-00033	METER UNIT					
1h	LUB-00009	SLEEVE NUT					
1i	LUB-00010	MINIMASTER PUMP					
1j	LUB-00011	RESEVOIR					
1k	LUB-00012	FLEX TUBE					
1l	LUB-00013	NEOPRENE TUBE	.15mt				
1m	LUB-00014	CD CAP ASSY	1				
2							
3	BLTA12380	BOLT	1				
4	590775 01	SPACER PLATE	2				
5	BLTA06380	BOLT	2				
6	WSH-0009	WASHER	12				
7	NUT-0260	NUT	12				
8	BLTA06264	BOLT	2				
9	BLTA10290	BOLT	2				
10	WSH-0015	WASHER	2				
11	NUT-0265	NUT	2				
12	590782 01	MOUNTING BRACKET LARGE	1				
13	590781 01	MOUNTING BRACKET MEDIUM	1				
14	590780 01	MOUNTING BRACKET SMALL	1				
15	HSS-0088	SETSCREW	8				
16	590791 01	SPACER	1				
17	590793 01	ANT-TORQUE BRACKET	1				
18	TIE-0004	CABLE TIE	38				



KIT-03200

Shelbourne Reynolds Engineering Limited

ASSY NUMBER:		KIT-03221		SUB ASSY DESCRIPTION: DRAWBAR KIT UK SPEC			
ITEM	PART NO	DESCRIPTION	QTY	ITEM	PART NO	DESCRIPTION	QTY
1	590847 01	DRAWBAR ASSY	1				
2	BLTA20500	SETSCREW	6				
3	WSH-0030	WASHER	6				
4	NUTA02200	NUT	6				
5	590463 01	DETACHABLE SKID	1				
6	590466 01	LOCKING HANDLE	1				
7	PIN-01950	LYNCH PIN	1				



KIT - 03221

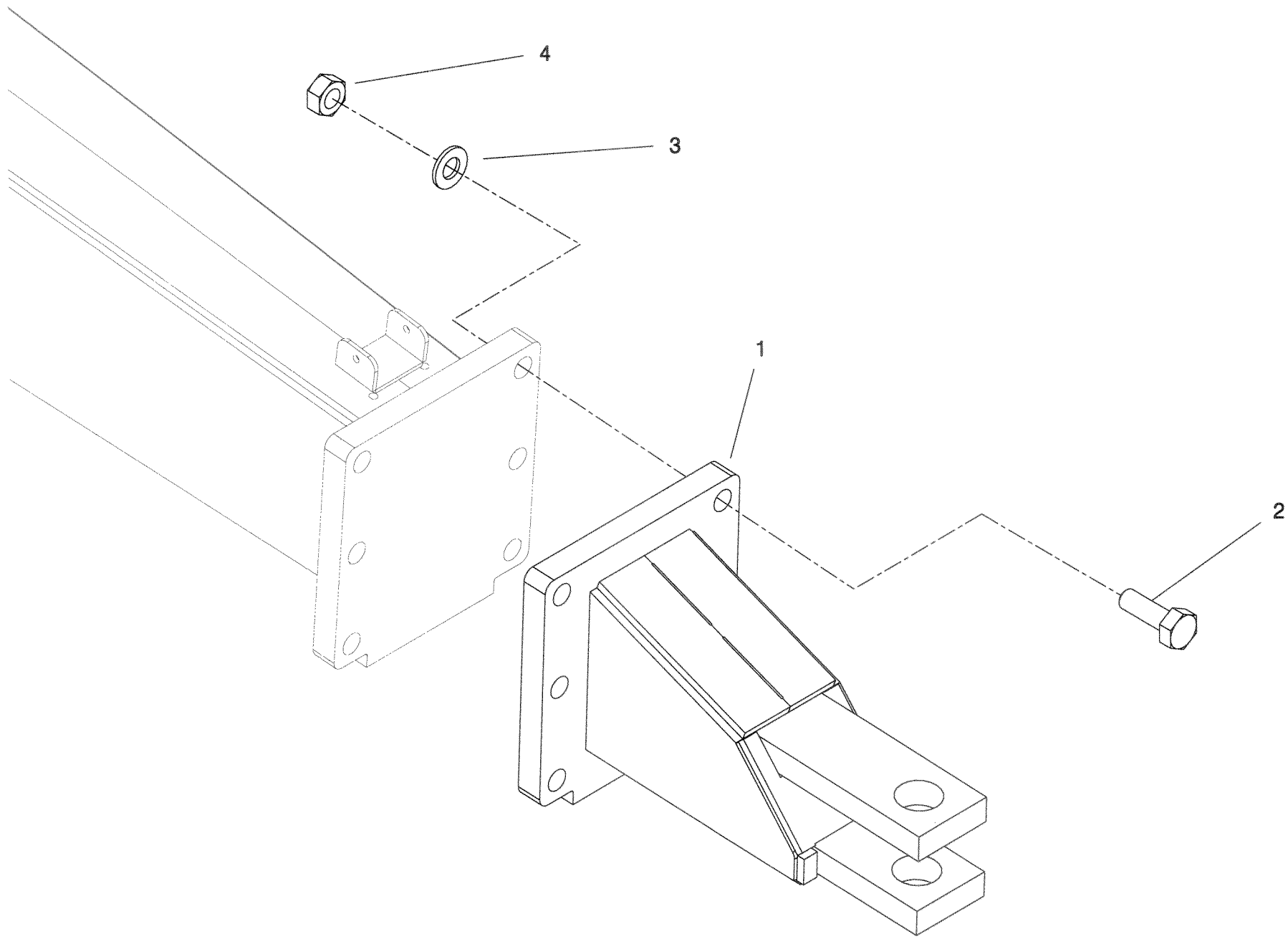
Shelbourne Reynolds Engineering Limited

ASSY NUMBER:

KIT-03222

SUB ASSY DESCRIPTION: DRAWBAR KIT USA SPEC

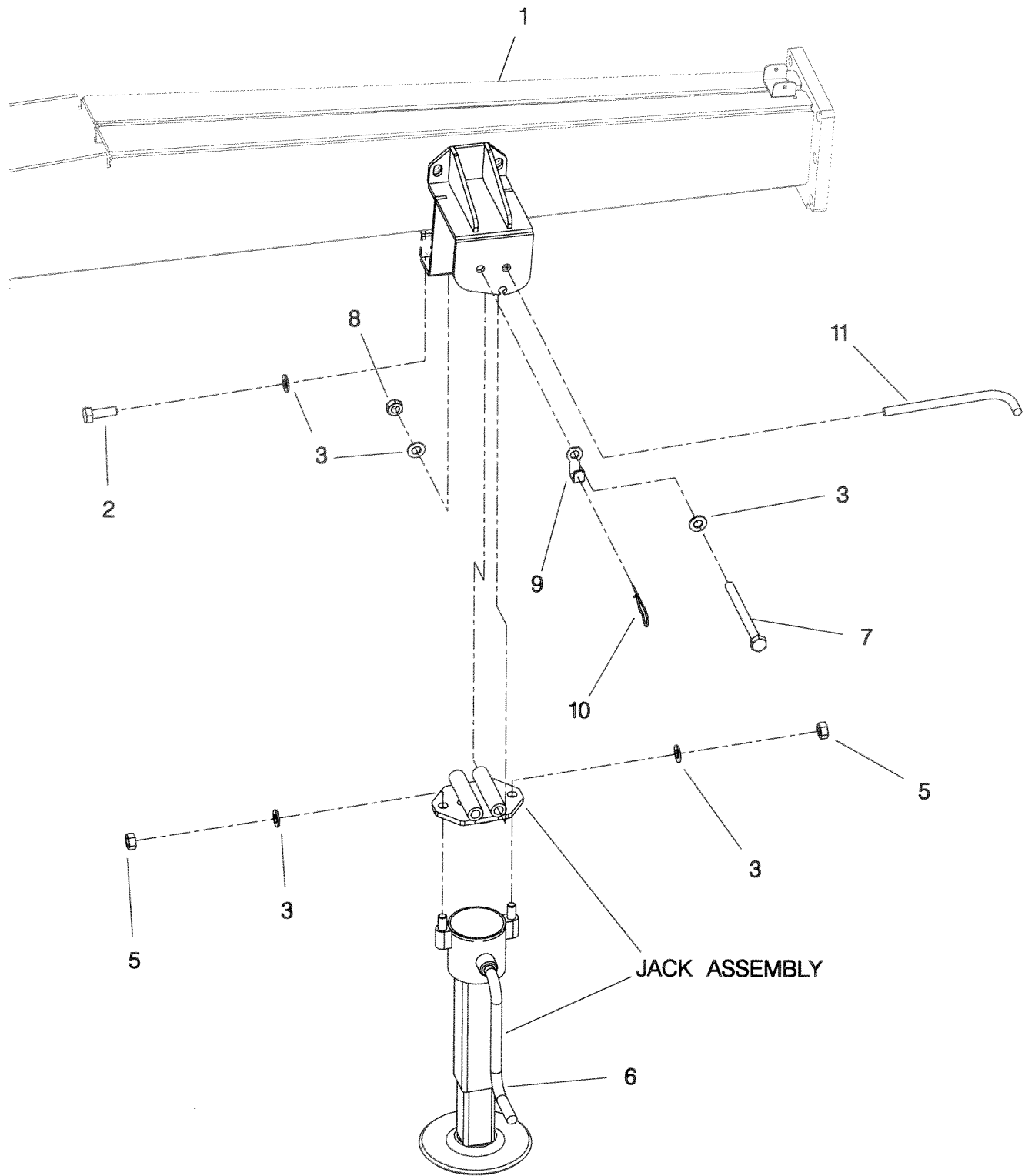
ITEM	PART NO	DESCRIPTION	QTY	ITEM	PART NO	DESCRIPTION	QTY
1	590850 01	DRAWBAR ASSY	1				
2	BLTA20500	SETSCREW	6				
3	WSH-0030	WASHER	6				
4	NUTA02200	NUT	6				



KIT - 03222

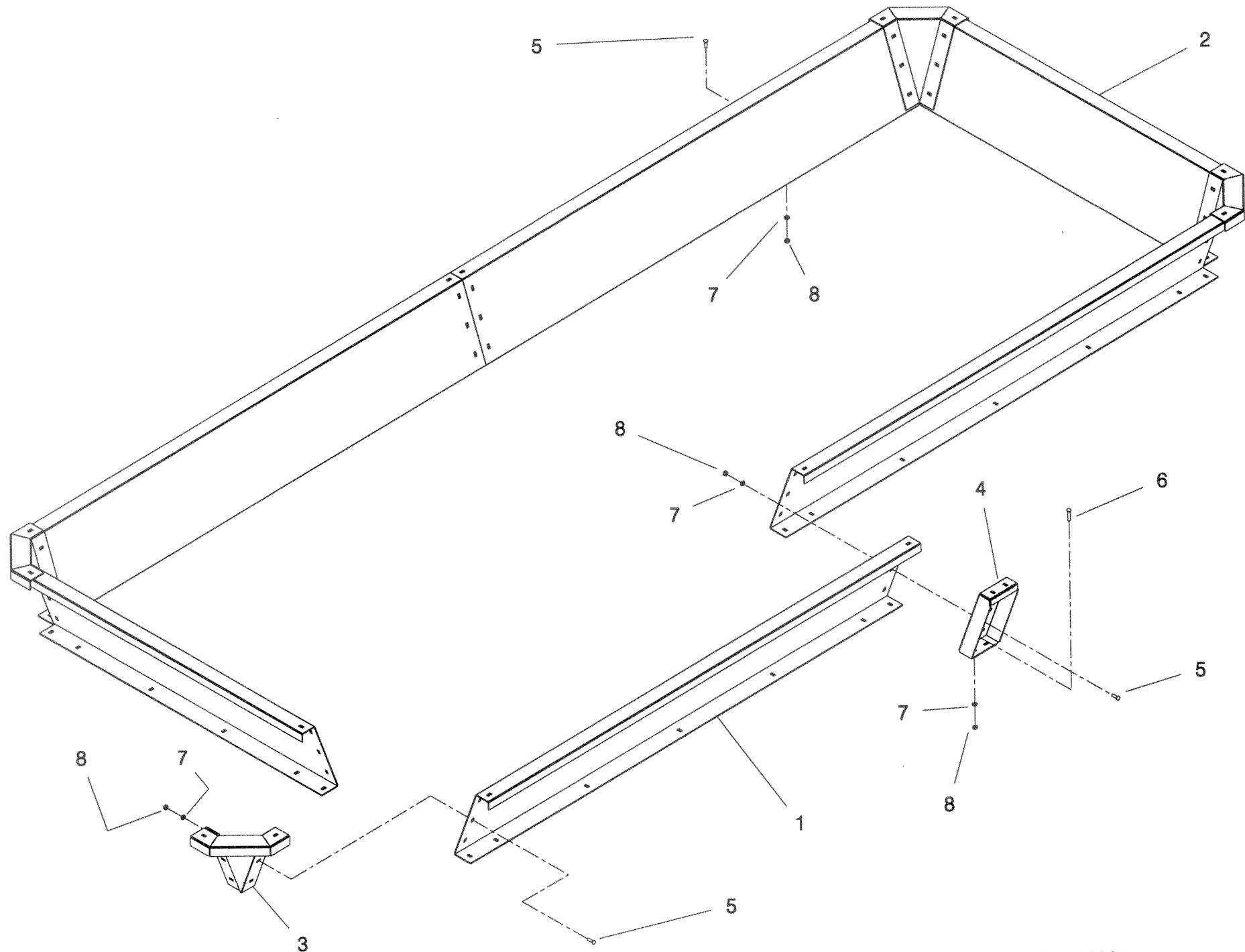
Shelbourne Reynolds Engineering Limited

ASSY NUMBER:		KIT-03223		SUB ASSY DESCRIPTION: PARKING JACK KIT			
ITEM	PART NO	DESCRIPTION	QTY	ITEM	PART NO	DESCRIPTION	QTY
1	590856 01	JACK FIXING W/A	1				
2	HSS-0316	BOLT	4				
3	WSH-0024	WASHER	8				
4							
5	NUT-0180	NUT	2				
6	JAC-00025	PARKING JACK	1				
7	BLTA16750	BOLT	1				
8	NUT-0271	NUT	1				
9	611992 01	HANDLE SUPPORT	1				
10	RCL-0015	R-CLIP	1				
11	612406 01	PIN	1				



Shelbourne Reynolds Engineering Limited

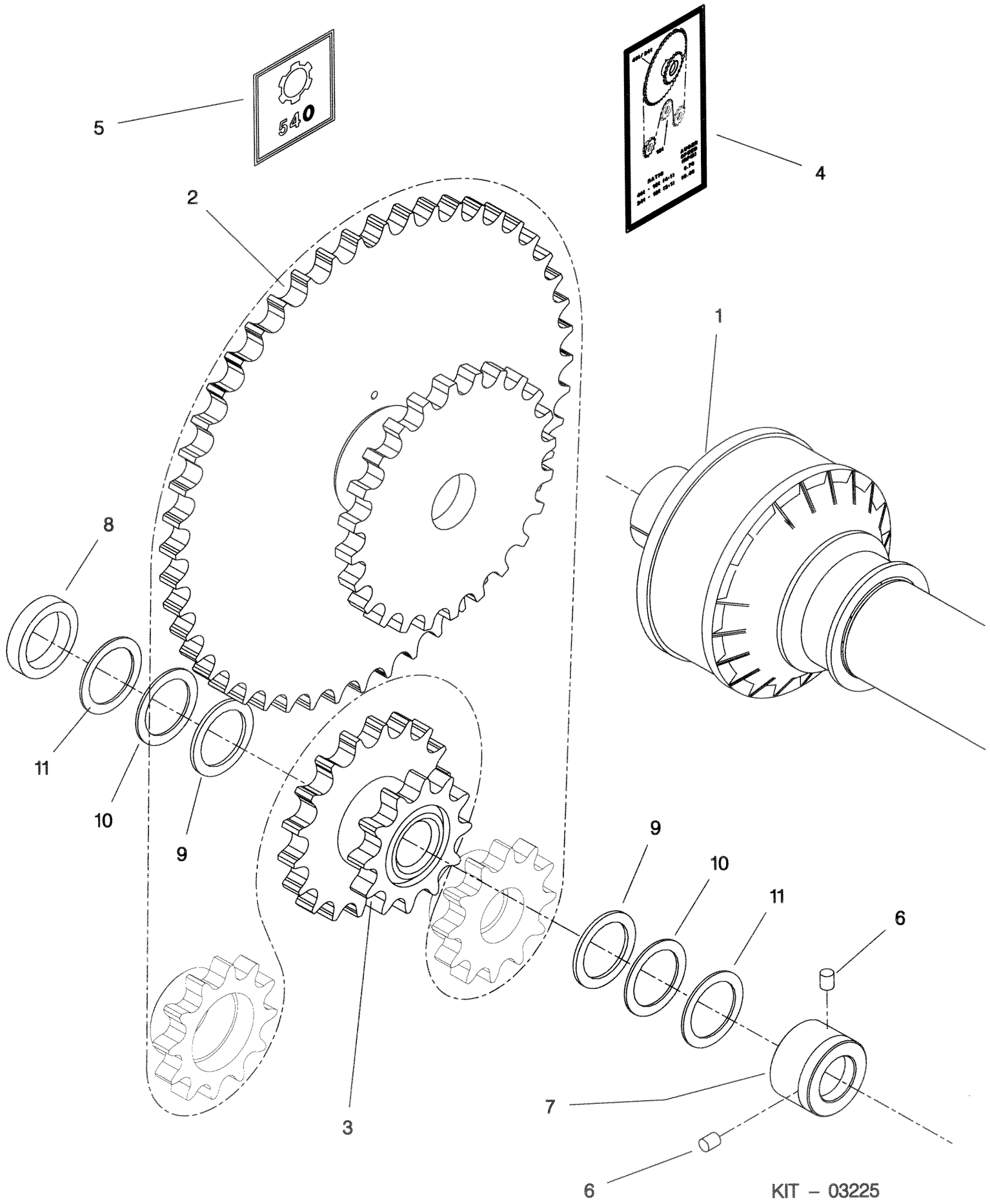
ASSY NUMBER:		KIT-03224		SUB ASSY DESCRIPTION: EXTENSION SIDE KIT			
ITEM	PART NO	DESCRIPTION	QTY	ITEM	PART NO	DESCRIPTION	QTY
1	590866 01	EXTN SIDE LARGE	4				
2	590867 01	EXTN SIDE SMALL	2				
3	590868 01	CORNER PLATE W/A	4				
4	590871 01	JOINER PLATE W/A	2				
5	BLT-3745	COACHBOLT	84				
6	BLT-3750	COACHBOLT	4				
7	WSH-0015	WASHER	88				
8	NUT-0265	NYLOC NUT	88				



KIT - 03224

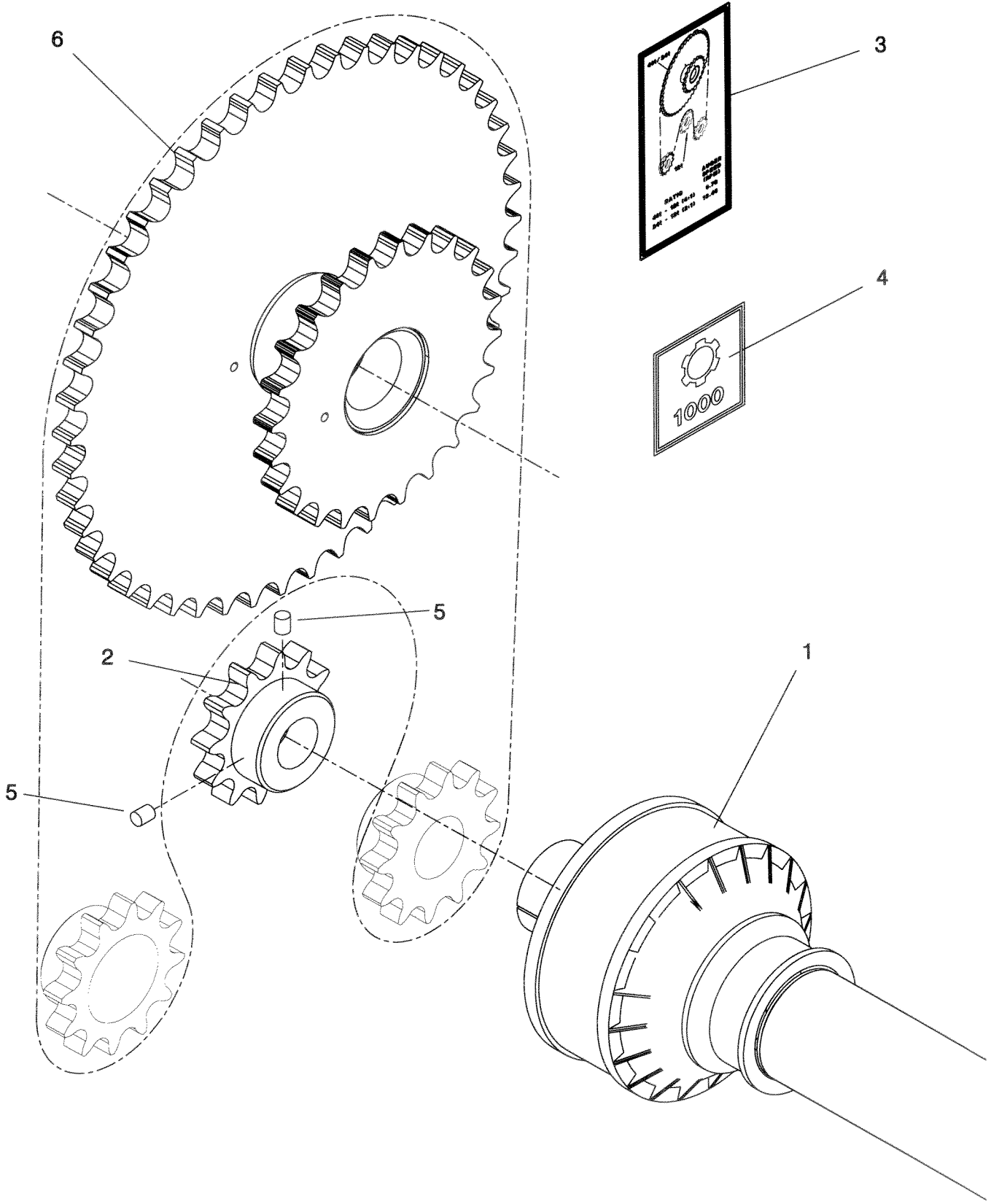
Shelbourne Reynolds Engineering Limited

ASSY NUMBER:		KIT-03225		SUB ASSY DESCRIPTION:540rpm PTO DRIVE KIT(1 3/8"6 SPLINE)			
ITEM	PART NO	DESCRIPTION	QTY	ITEM	PART NO	DESCRIPTION	QTY
1	PTO-25100W	PTO SHAFT	1				
OR		(s/n ????? AND ON)					
1a	PTO-25100	PTO SHAFT	1				
		(UP TO s/n ?????)					
2	607046 01	DOUBLE SPROCKET	1				
3	607051 01	DOUBLE SPROCKET	1				
4	590787 01	TRANSFER(DRIVE ARRANGEMENT)	1				
5	590475 01	TRANSFER (PTO MAX)	1				
6	SCW-4595	GRUB SCREW	2				
7	590795 01	LOCKING COLLAR	1				
8	590717 04	SPACERTUBE	1				
9	190119 77	WASHER	2				
10	190119 71	WASHER	2				
11	190119 70	WASHER	2				



Shelbourne Reynolds Engineering Limited

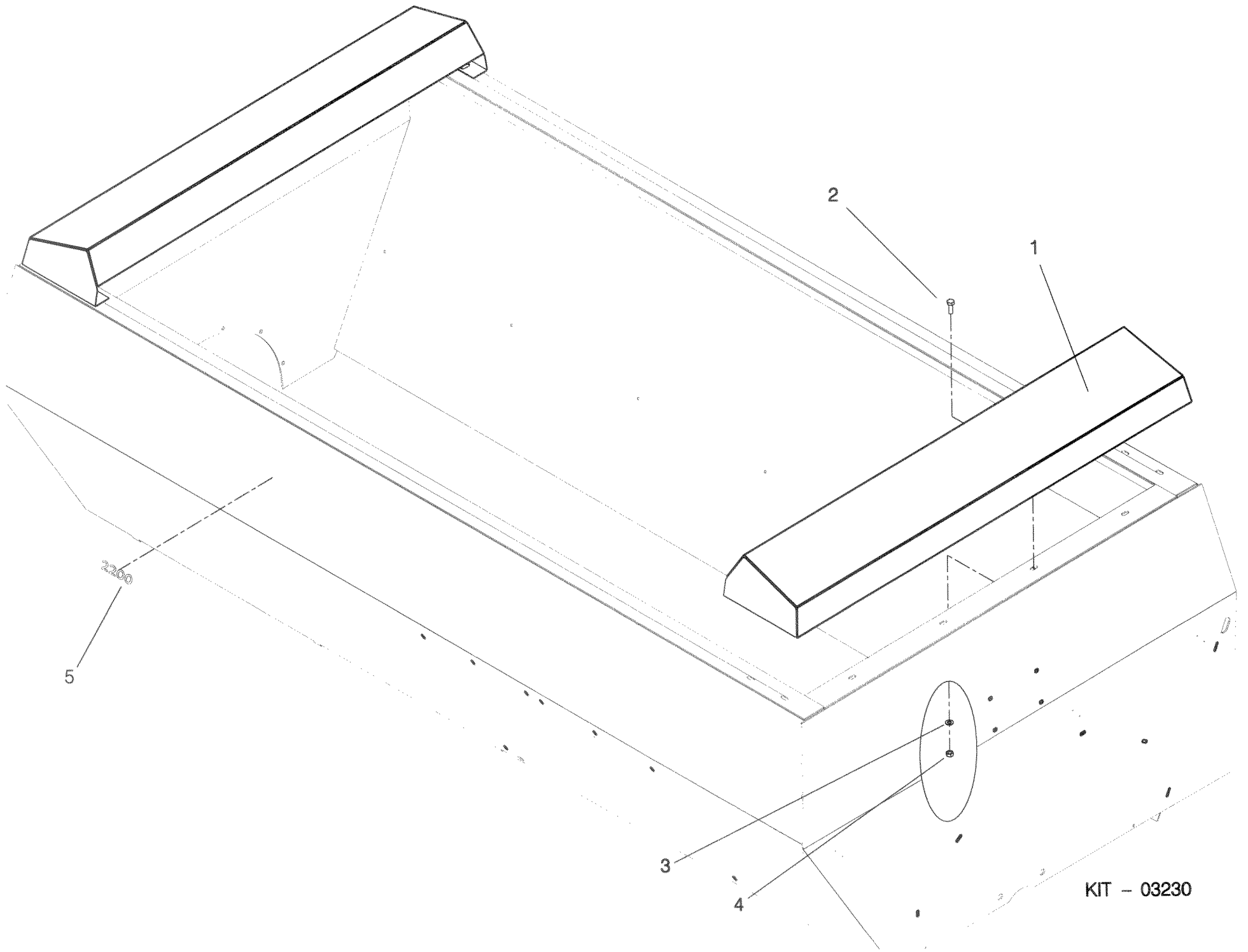
ASSY NUMBER:		KIT-03226		SUB ASSY DESCRIPTION:1000rpm PTO DRIVE (1 3/4"20 SPLINE)			
ITEM	PART NO	DESCRIPTION	QTY	ITEM	PART NO	DESCRIPTION	QTY
1	PTO-25200	PTO SHAFT	1				
2	607055 01	SPROCKET	1				
3	590886 01	TRANSFER(DRIVE ARRANGEMENT)	1				
4	590475 02	TRANSFER (PTO MAX)	1				
5	SCW-4595	GRUB SCREW	2				
6	590860 01	DOUBLE SPROCKET	1				



KIT - 03226

Shelbourne Reynolds Engineering Limited

ASSY NUMBER:		KIT-03230		ASSY DESCRIPTION: SLURRY CANOPY KIT			
ITEM	PART NO	DESCRIPTION	QTY	ITEM	PART NO	DESCRIPTION	QTY
1	590619 01	SLURRY CANOPY W/A	2				
2	HSS-0238	SET SCREW	16				
3	WSH-0018	WASHER	16				
4	NUT-0269	NUT	16				
5A	591007 01	TRANSFER (1400)	2				
OR		1400 MODEL ONLY					
5B	591007 02	TRANSFER (1600)	2				
OR		1600 MODEL ONLY					
5C	591007 05	TRANSFER (2200)	2				
		2200 MODEL ONLY					



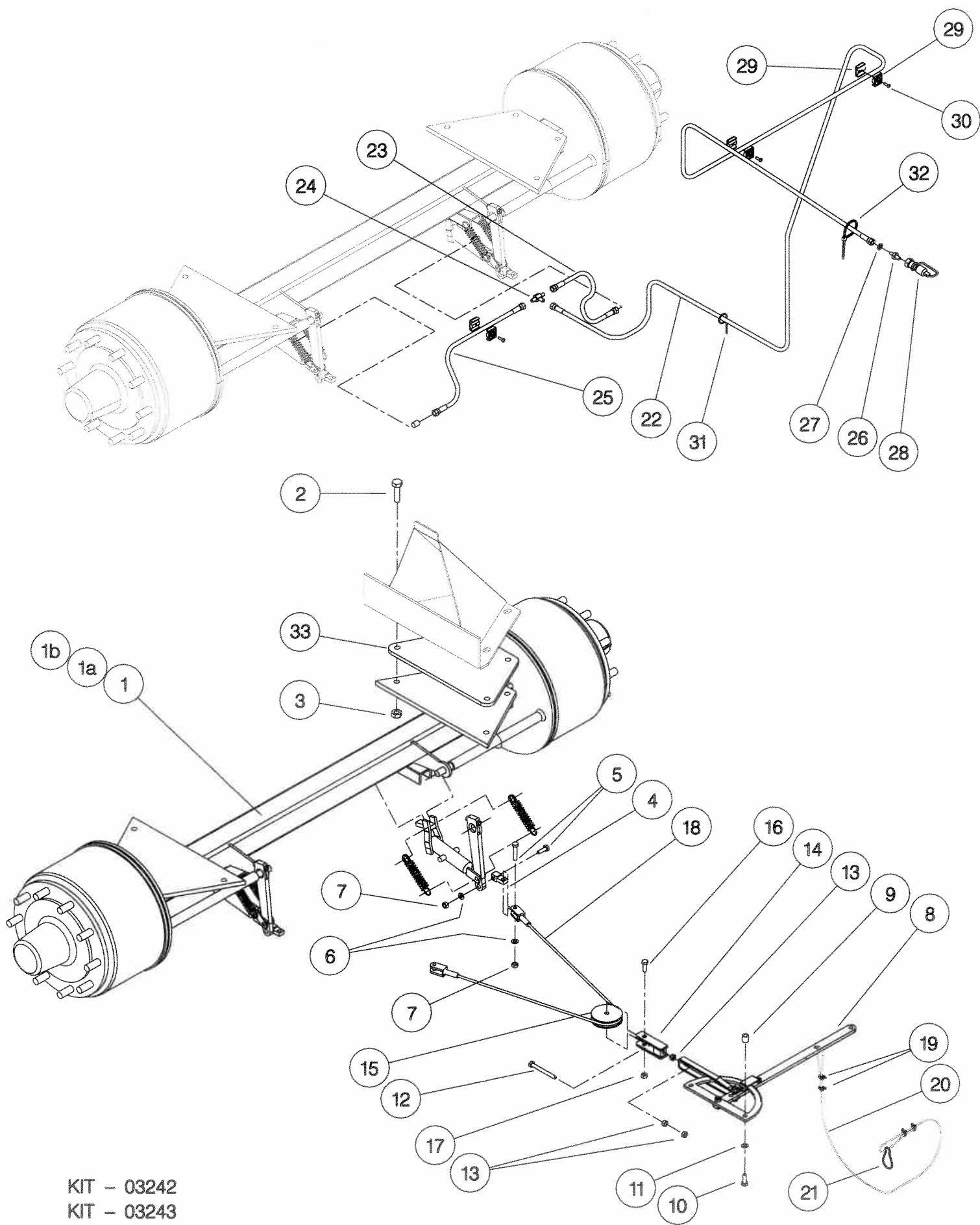
KIT - 03230

Shelbourne Reynolds Engineering Limited

ASSY NUMBER:		KIT-03242		ASSY DESCRIPTION: AXLE WITH HYD BRAKES KIT (2200GAL CONT)			
ITEM	PART NO	DESCRIPTION	QTY	ITEM	PART NO	DESCRIPTION	QTY
1	590877 09	AXLE W/A (SERIAL No 123114 ONWARDS)	1	32	TIE-0012	TIE WRAP	4
OR	590877 01	AXLE W/A (UP TO SERIAL No 122114)	1	33	591125 01	AXLE SPACER PLATE	2
1a	AXL-12505	WHEEL NUT DOMED (M22x1.5P)	20				
2	HSS-0322	SETSCREW	8				
3	NUT-0271	NUT	8				
4	590062 01	BRAKE LINK PIVOT	2				
5	HSS-0210	SETSCREW	2				
6	WSH-0015	WASHER	4				
7	NUT-0265	NUT	2				
8	590222 01	HANDBRAKE LEVER ASSY	1				
9	610923 01	SPACER	2				
10	HSS-0260	SETSCREW	2				
11	WSH-0065	WASHER	2				
12	HSSA10680	SETSCREW	1				
13	NUT-0167	NUT	3				
14	590060 01	PULLEY CLEVIS W/A	1				
15	590101 01	NYLON PULLEY	1				
16	BLTA12350	BOLT	1				
17	NUT-0269	NUT	1				
18	590072 02	CABLE ASSY	1				
19	WRP-02040	WIRE ROPE CLAMPS	4				
20	WRP-00040	CABLE	4.0m				
21	WRP-03000	SNAP HOOK	1				
22	HHAC87505	HOSE ASSY	1				
23	HHBC04505	HOSE ASSY	1				
24	HMT-0010	TEE FITTING	1				
25	HHBC07505	HOSE ASSY	1				
26	HMA-0055	HYD ADAPT	1				
27	WSH-1015	DOWTY WASHER	1				
28	HQR-10007	QUICK RELEASE COUPLING	1				
29	HCPD01200	PIPE CLAMP	2				
30	SCW-0083	CP HD SCREW	2				
31	TIE-0004	TIE WRAP	8				

Shelbourne Reynolds Engineering Limited

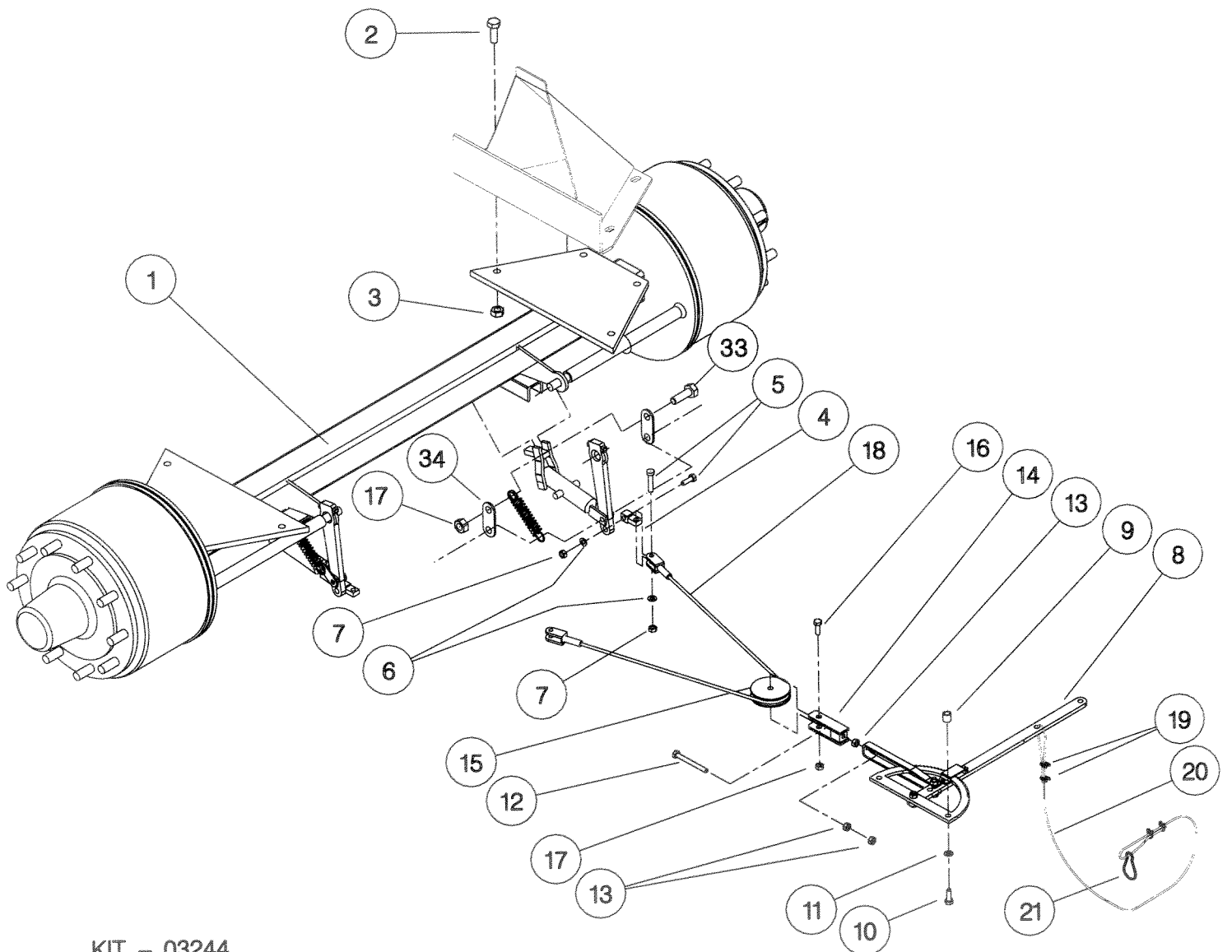
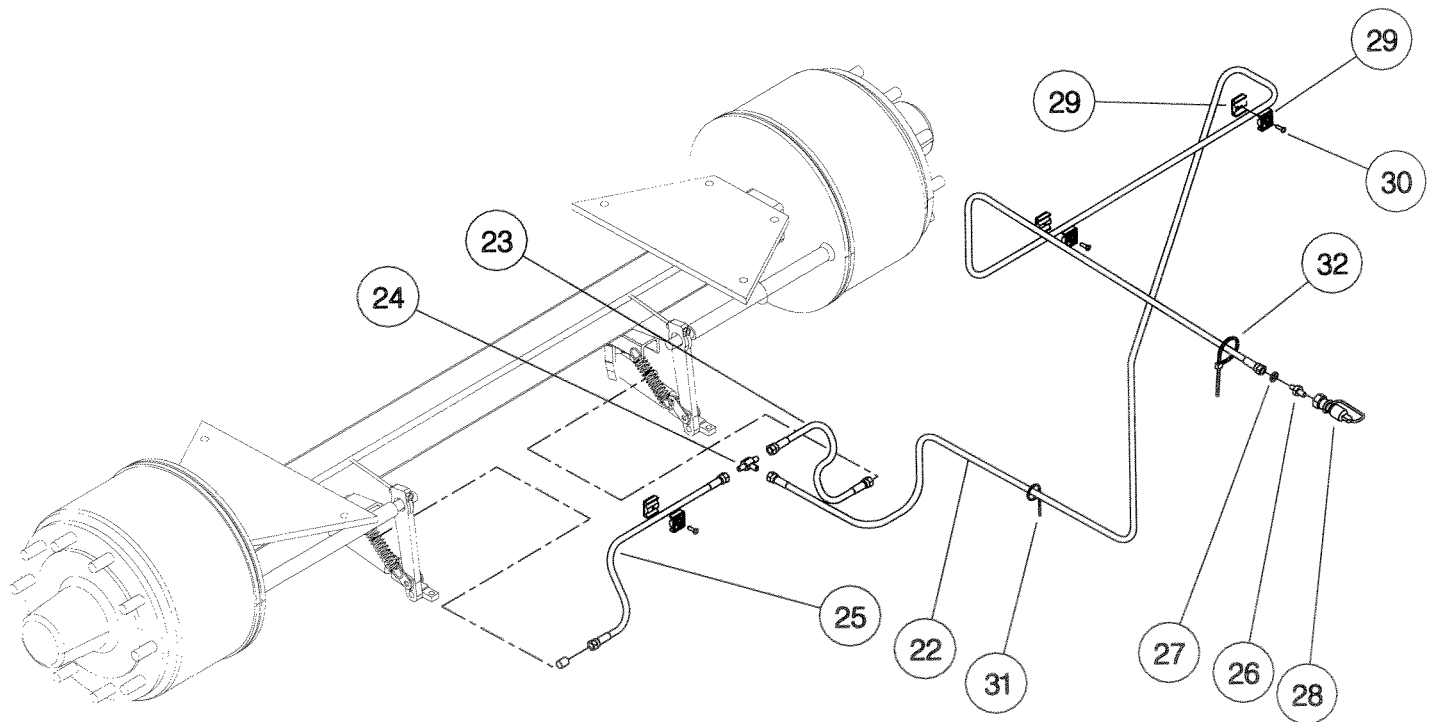
ASSY NUMBER:		KIT-03243		ASSY DESCRIPTION: AXLE WITH HYD BRAKES KIT (1600GAL CONT)			
ITEM	PART NO	DESCRIPTION	QTY	ITEM	PART NO	DESCRIPTION	QTY
1	590889 08	AXLE W/A (SERIAL No 123114 ONWARDS)	1	30	SCW-0083	CP HD SCREW	2
OR	590889 01	AXLE W/A (UP TO SERIAL No 118114)	1	31	TIE-0004	TIE WRAP	8
1a	AXL-12520	WHEEL NUT	20	32	TIE-0012	TIE WRAP	4
1b	AXL-15015	WASHER	20				
OR	590877 09	AXLE W/A (SERIAL No PSC16100057/58 & 59 ONLY)	1				
1a	AXL-12505	WHEEL NUT DOMED	20				
2	HSS-0318	SETSCREW	8				
3	NUT-0271	NUT	8				
4	590062 01	BRAKE LINK PIVOT	2				
5	HSS-0210	SETSCREW	2				
6	WSH-0015	WASHER	4				
7	NUT-0265	NUT	2				
8	590222 01	HANDBRAKE LEVER ASSY	1				
9	610923 01	SPACER	2				
10	HSS-0260	SETSCREW	2				
11	WSH-0065	WASHER	2				
12	HSSA10680	SETSCREW	1				
13	NUT-0167	NUT	3				
14	590060 01	PULLEY CLEVIS W/A	1				
15	590101 01	NYLON PULLEY	1				
16	BLTA12350	BOLT	1				
17	NUT-0269	NUT	1				
18	590072 01	CABLE ASSY	1				
19	WRP-02040	WIRE ROPE CLAMPS	4				
20	WRP-00040	CABLE	5.0m				
21	WRP-03000	SNAP HOOK	1				
22	HHAC80005	HOSE ASSY	1				
23	HHBC04505	HOSE ASSY	1				
24	HMT-0010	TEE FITTING	1				
25	HHBC07505	HOSE ASSY	1				
26	HMA-0055	HYD ADAPT	1				
27	WSH-1015	DOWTY WASHER	1				
28	HQR-10007	QUICK RELEASE COUPLING	1				
29	HCPD01200	PIPE CLAMP	2				



KIT - 03242
 KIT - 03243

Shelbourne Reynolds Engineering Limited

ASSY NUMBER:		KIT-03244		ASSY DESCRIPTION: AXLE WITH HYD BRAKES KIT (1600GAL CONT)			
ITEM	PART NO	DESCRIPTION	QTY	ITEM	PART NO	DESCRIPTION	QTY
1	590758 01	AXLE W/A	1				
2	HSS-0318	SETSCREW	8				
3	NUT-0271	NUT	8				
4	590062 01	BRAKE LINK PIVOT	2				
5	HSS-0210	SETSCREW	2				
6	WSH-0015	WASHER	4				
7	NUT-0265	NUT	2				
8	590222 01	HANDBRAKE LEVER ASSY	1				
9	610923 01	SPACER	2				
10	HSS-0260	SETSCREW	2				
11	WSH-0065	WASHER	2				
12	HSSA10680	SETSCREW	1				
13	NUT-0167	NUT	3				
14	590060 01	PULLEY CLEVIS W/A	1				
15	590101 01	NYLON PULLEY	1				
16	BLTA12350	BOLT	1				
17	NUT-0269	NUT	5				
18	590072 01	CABLE ASSY	1				
19	WRP-02040	WIRE ROPE CLAMPS	4				
20	WRP-00040	CABLE	4.0m				
21	WRP-03000	SNAP HOOK	1				
22	HHAC80005	HOSE ASSY	1				
23	HHAC04505	HOSE ASSY	1				
24	HMT-0010	TEE FITTING	1				
25	HHAC07525	HOSE ASSY	1				
26	HMA-0055	HYD ADAPT	1				
27	WSH-1015	DOWTY WASHER	1				
28	HQR-10007	QUICK RELEASE COUPLING	1				
29	HCPD01200	PIPE CLAMP	8				
30	SCW-0083	CP HD SCREW	8				
31	TIE-0004	TIE WRAP	8				
32	TIE-0012	TIE WRAP	4				
33	HSS-0265	SETSCREW	4				
34	590153 01	BRAKE RAM PLATE	4				



KIT - 03244

Shelbourne Reynolds Engineering Limited

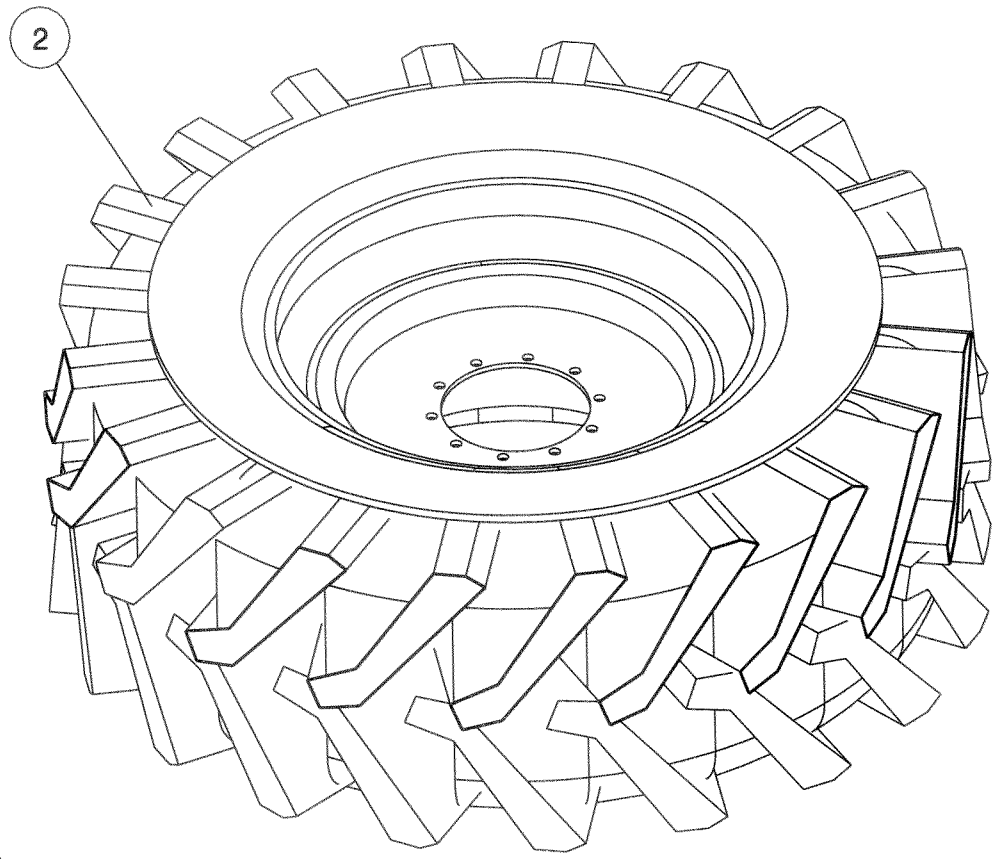
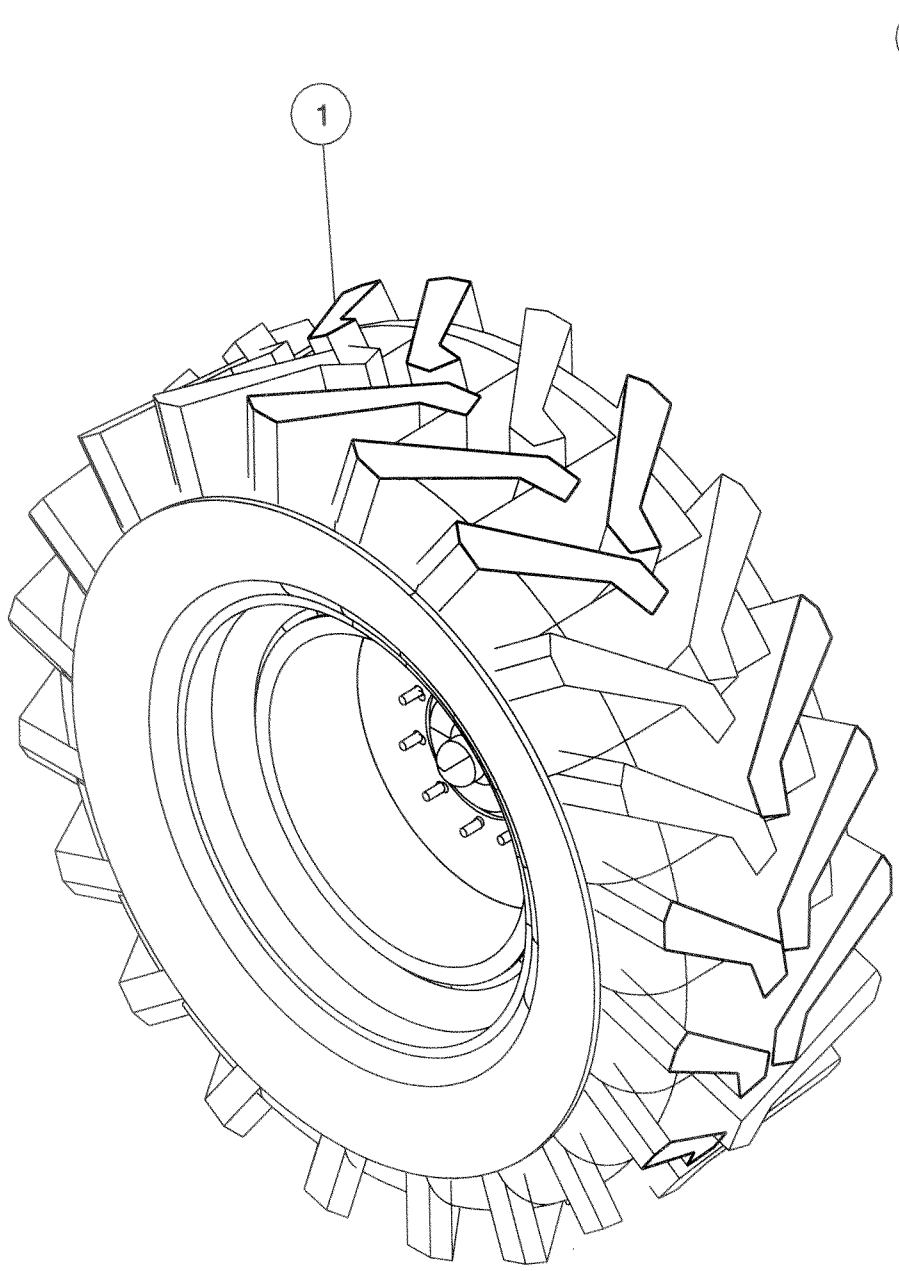
ASSY NUMBER:		KIT-03245		ASSY DESCRIPTION:40KM/H WHEEL & TYRE KIT (CONTRACTOR)			
ITEM	PART NO	DESCRIPTION	QTY	ITEM	PART NO	DESCRIPTION	QTY
1	WHL-03002	RH WHEEL & TYRE ASSY (600/60-30.5 ALLIANCE)	1				
2	WHL-03003	LH WHEEL & TYRE ASSY (600/60-30.5 ALLIANCE)	1				

Shelbourne Reynolds Engineering Limited

ASSY NUMBER: KIT-03246		ASSY DESCRIPTION: STANDARD WHEEL & TYRE KIT (CONTRACTOR)					
ITEM	PART NO	DESCRIPTION	QTY	ITEM	PART NO	DESCRIPTION	QTY
1	WHL-02604	RH WHEEL & TYRE ASSY (23.1-26 MITAS CROSSPLY)	1				
2	WHL-02605	LH WHEEL & TYRE ASSY (23.1-26 MITAS CROSSPLY)	1				

Shelbourne Reynolds Engineering Limited

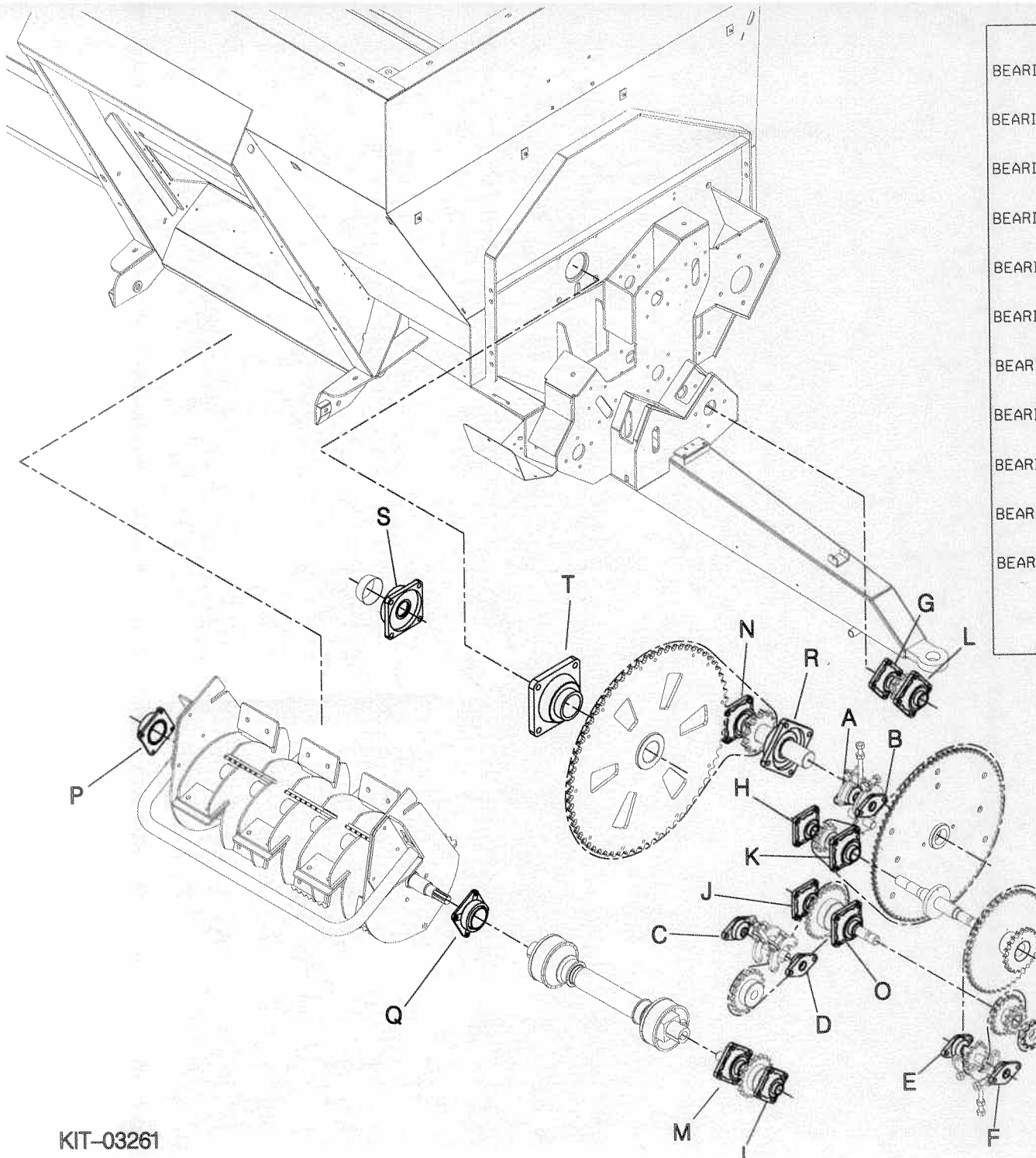
ASSY NUMBER:		KIT-03246a		ASSY DESCRIPTION: STANDARD WHEEL & TYRE KIT (CONTRACTOR)			
ITEM	PART NO	DESCRIPTION	QTY	ITEM	PART NO	DESCRIPTION	QTY
1	WHL-02604a	RH WHEEL & TYRE ASSY (23.1-26 STARMAXX CROSSPLY)	1				
2	WHL-02605a	LH WHEEL & TYRE ASSY (23.1-26 STARMAXX CROSSPLY)	1				



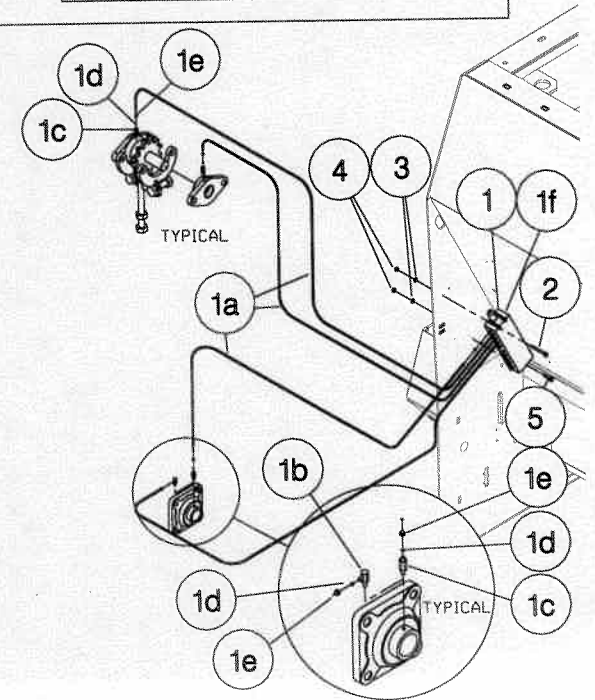
- KIT - 03245
- KIT - 03246
- KIT - 03246a
- KIT - 03490
- KIT - 03606

Shelbourne Reynolds Engineering Limited

ASSY NUMBER:		KIT-03261		ASSY DESCRIPTION: POWERSPREAD BEARING GREASER KIT			
ITEM	PART NO	DESCRIPTION	QTY	ITEM	PART NO	DESCRIPTION	QTY
1	LUB-00020	20 PT BLOCKMASTER GREASER	1				
1a	LUB-00021	FLEX GREASE TUBE	1				
1b	LUB-00022	90° FITTING	11				
1c	LUB-00023	STGHT FITTING	9				
1d	LUB-00024	OLIVE	40				
1e	LUB-00025	SLEEVENUT	40				
1f	LUB-00026	MAIN 20 PT BLOCK	1				
2	BLTA06410	BOLT	2				
3	WSH-0009	WASHER	3				
4	NUT-0260	NUT	3				
5	HSS-0088	SETSCREW	1				



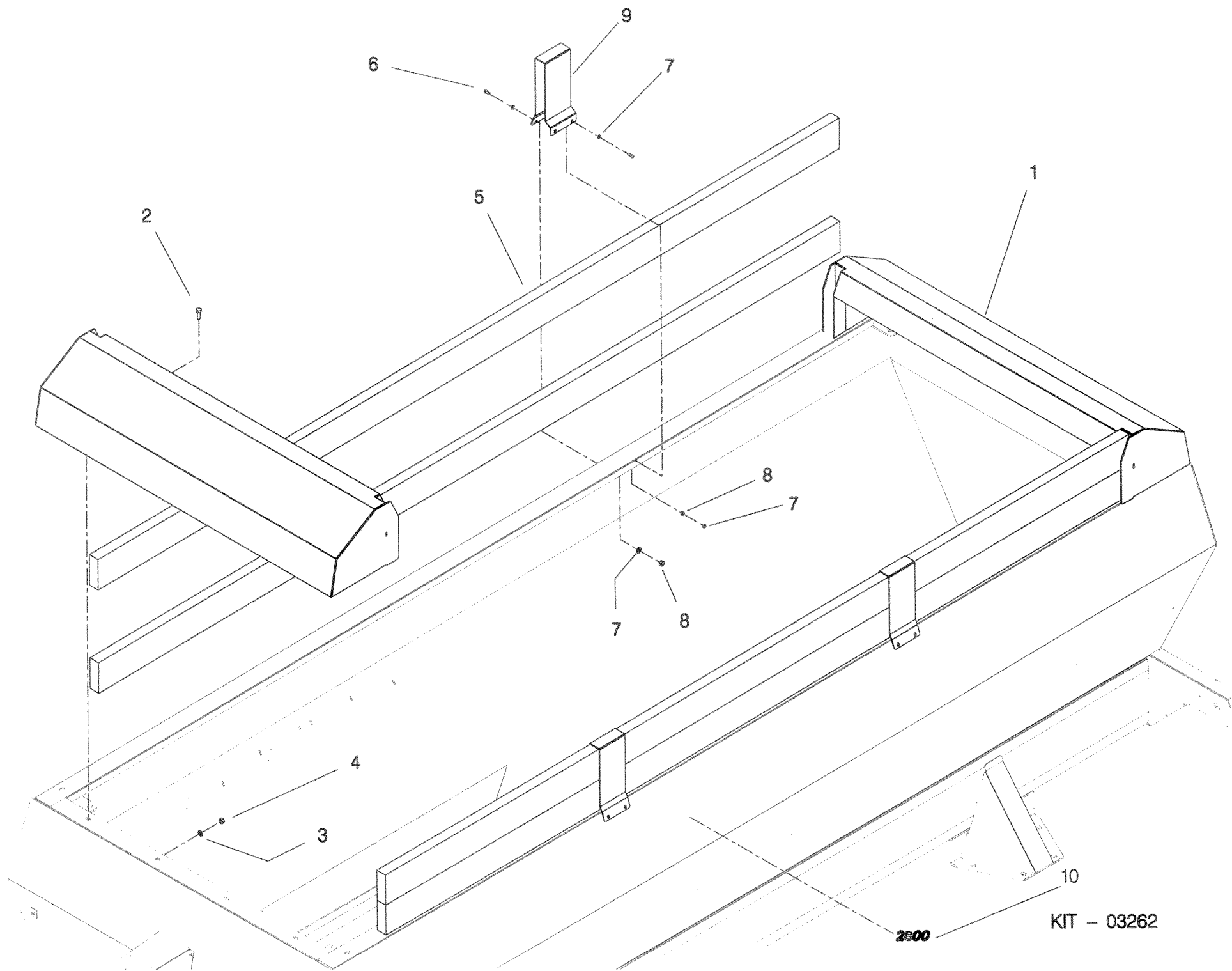
	DELIVERY	PORT	PORT	DELIVERY		
BEARING A	5	20	START WAFER	19	5	BEARING B
BEARING C	5	18		17	5	BEARING D
BEARING E	5	16		15	5	BEARING F
BEARING G	5	14		13	5	BEARING H
BEARING I	5	12		11	5	BEARING J
BEARING K	10	10		9	10	BEARING L
BEARING M	10	8			X	
BEARING N	10	7		6	10	BEARING O
BEARING P	10	5		4	10	BEARING Q
BEARING R	20	3		2	20	BEARING S
BEARING T	40	1			X	
			REVERSE WAFER			



KIT-03261

Shelbourne Reynolds Engineering Limited

ASSY NUMBER:		KIT-03262		ASSY DESCRIPTION: 12" WOODEN EXT TOP (2200-2800 GALLON)			
ITEM	PART NO	DESCRIPTION	QTY	ITEM	PART NO	DESCRIPTION	QTY
1	590944 01	SLURRY CANOPY W/A	2				
2	HSS-0238	SET SCREW	20				
3	WSH-0018	WASHER	20				
4	NUT-0269	NUT	20				
5	WOO-0017	WOODEN PLANK	4				
6	HSS-0191	SETSCREW	16				
7	WSH-0015	WASHER	32				
8	NUT-0265	NUT	16				
9	590949 01	LARGE EXTN SIDE BRKT W/A	4				
10	591007 07	TRANSFER (2800)	2				

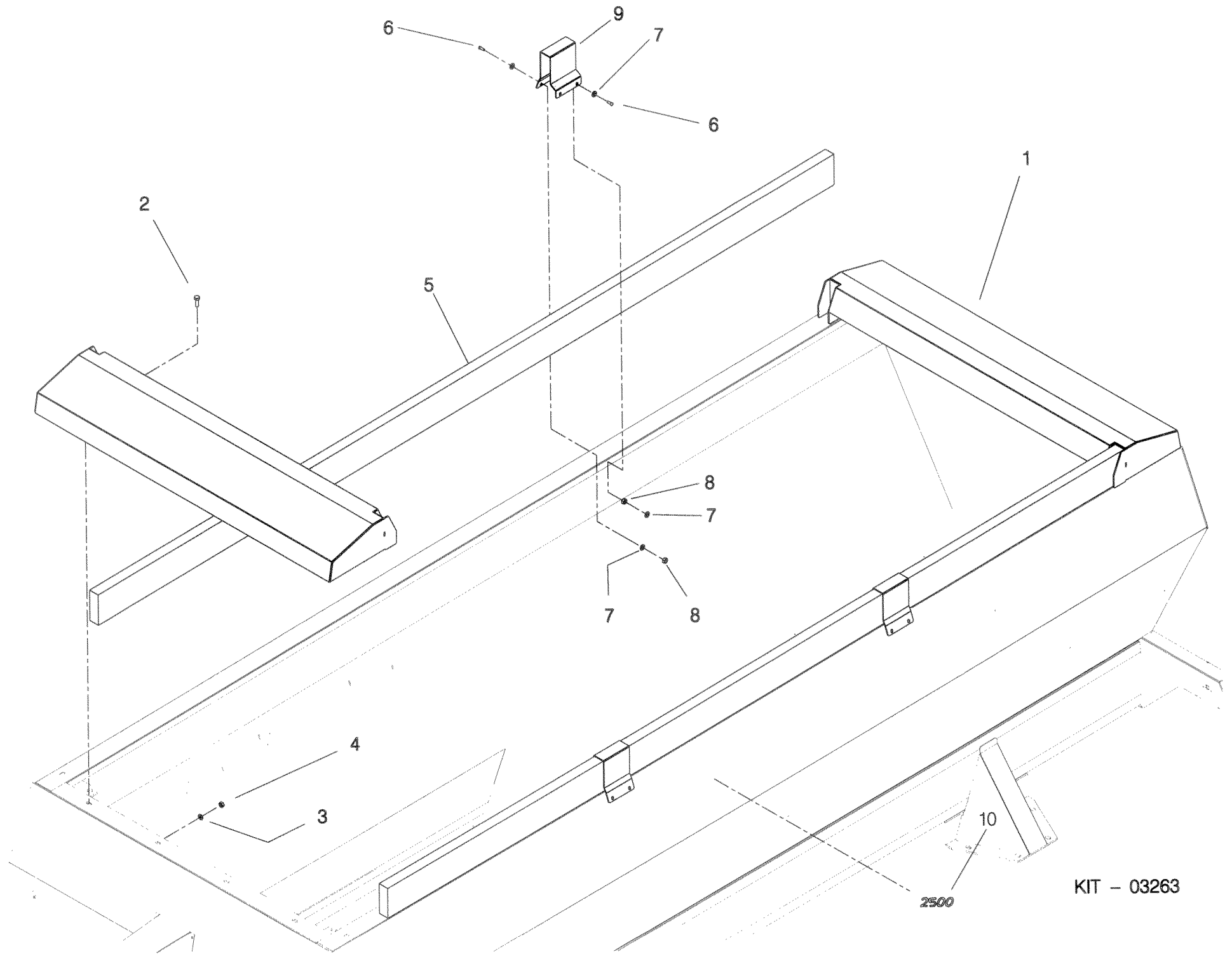


2300

KIT - 03262

Shelbourne Reynolds Engineering Limited

ASSY NUMBER:		KIT-03263		ASSY DESCRIPTION: 6"WOODEN EXT TOP (2200-2500 GALLON)			
ITEM	PART NO	DESCRIPTION	QTY	ITEM	PART NO	DESCRIPTION	QTY
1	590943 01	SLURRY CANOPY W/A	2				
2	HSS-0238	SET SCREW	20				
3	WSH-0018	WASHER	20				
4	NUT-0269	NUT	20				
5	WOO-0017	WOODEN PLANK	2				
6	HSS-0191	SETSCREW	16				
7	WSH-0015	WASHER	32				
8	NUT-0265	NUT	16				
9	590953 01	SMALL EXTN SIDE BRKT W/A	4				
10	591007 06	TRANSFER (2500)	2				

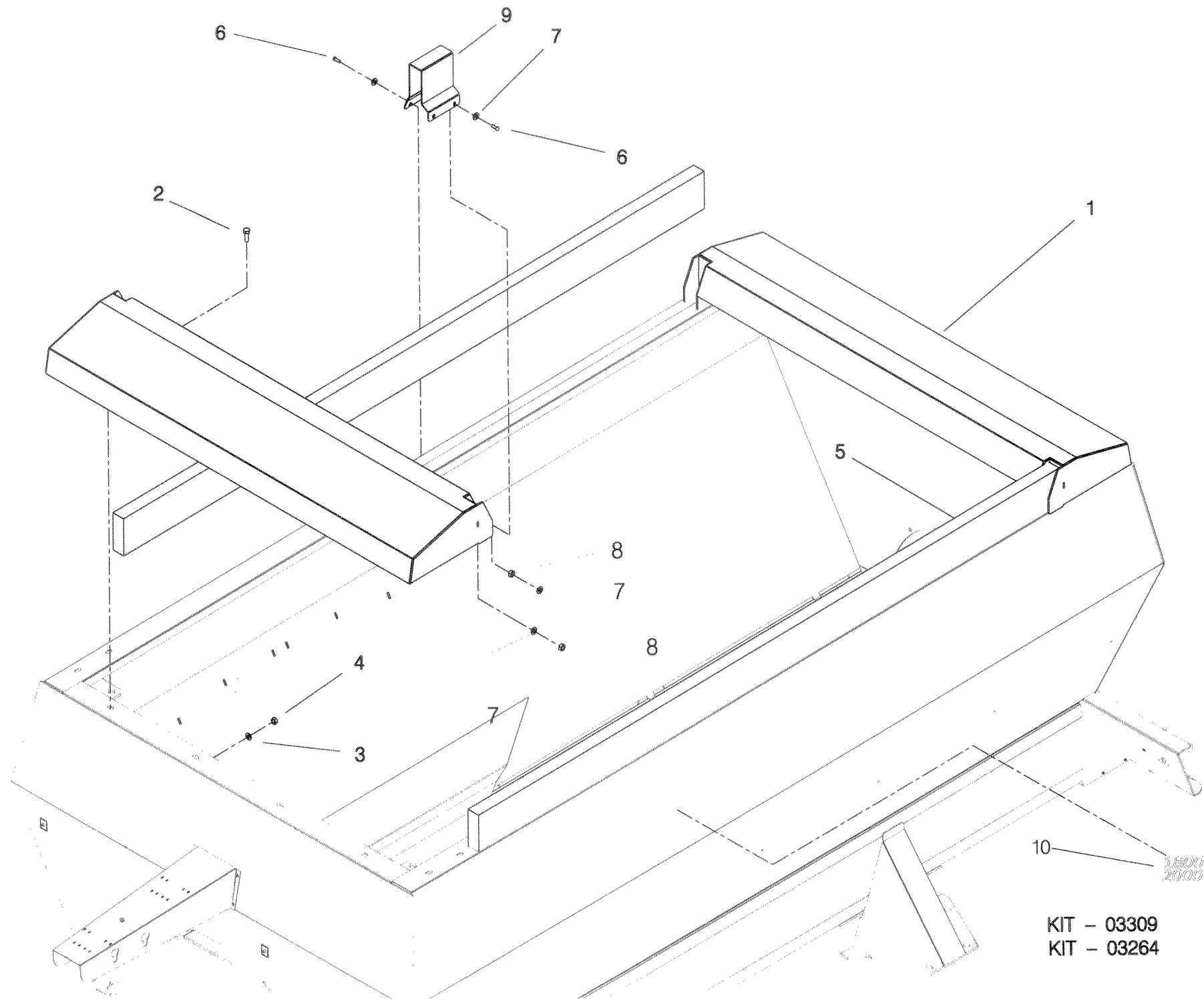


KIT - 03263

2500

Shelbourne Reynolds Engineering Limited

ASSY NUMBER:		KIT-03264		ASSY DESCRIPTION: 6" WOODEN EXT TOP (1600-1800 GALLON)			
ITEM	PART NO	DESCRIPTION	QTY	ITEM	PART NO	DESCRIPTION	QTY
1	590943 01	SLURRY CANOPY W/A	2				
2	HSS-0238	SET SCREW	20				
3	WSH-0018	WASHER	20				
4	NUT-0269	NUT	20				
5	WOO-0016	WOODEN PLANK	2				
6	HSS-0238	SETSCREW	8				
7	WSH-0018	WASHER	16				
8	NUT-0269	NUT	8				
9	590953 01	SMALL EXTN SIDE BRKT W/A	2				
10	591007 03	TRANSFER (1800)	2				

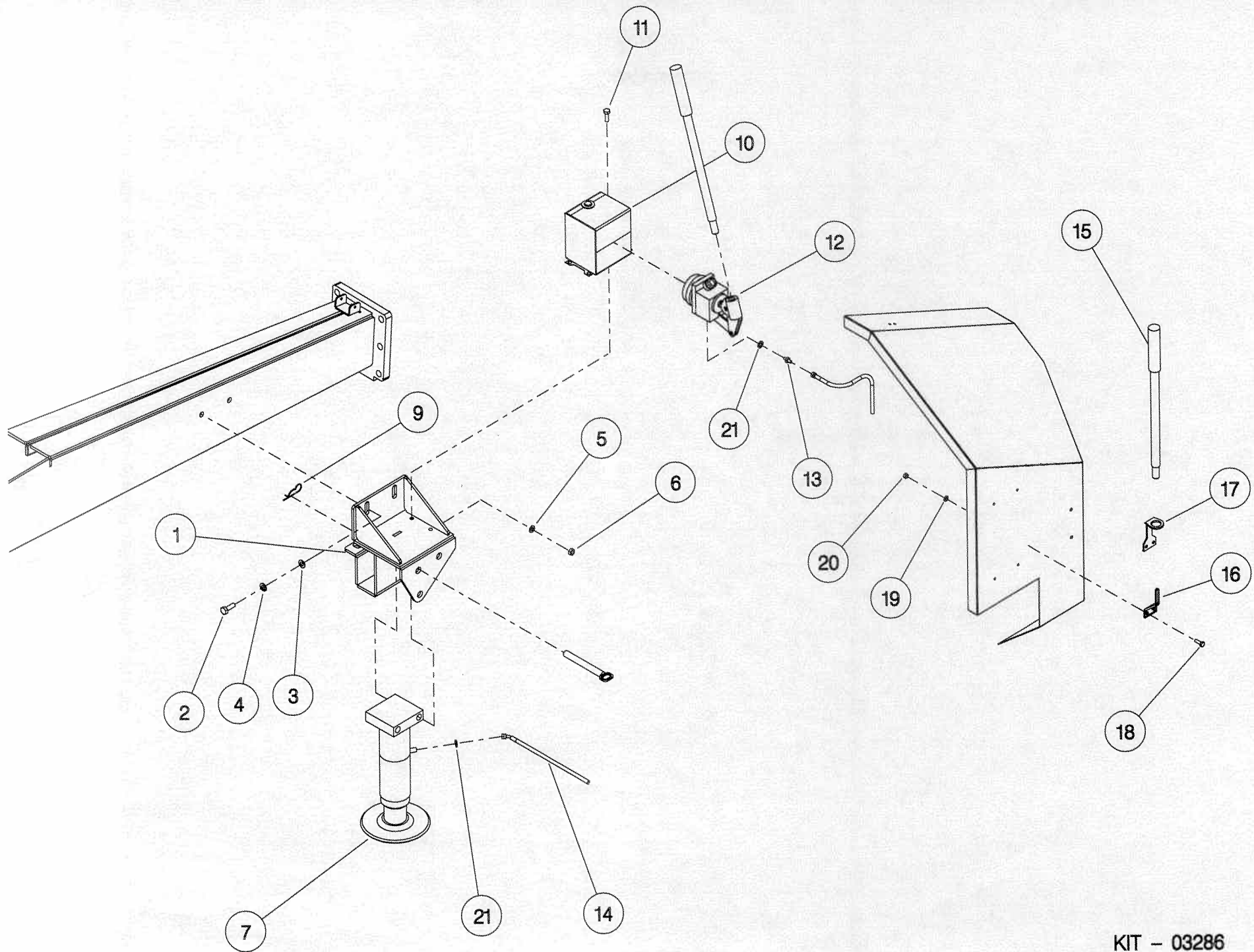


KIT - 03309
KIT - 03264

1800
2000

Stelbourne Reynolds Engineering Limited

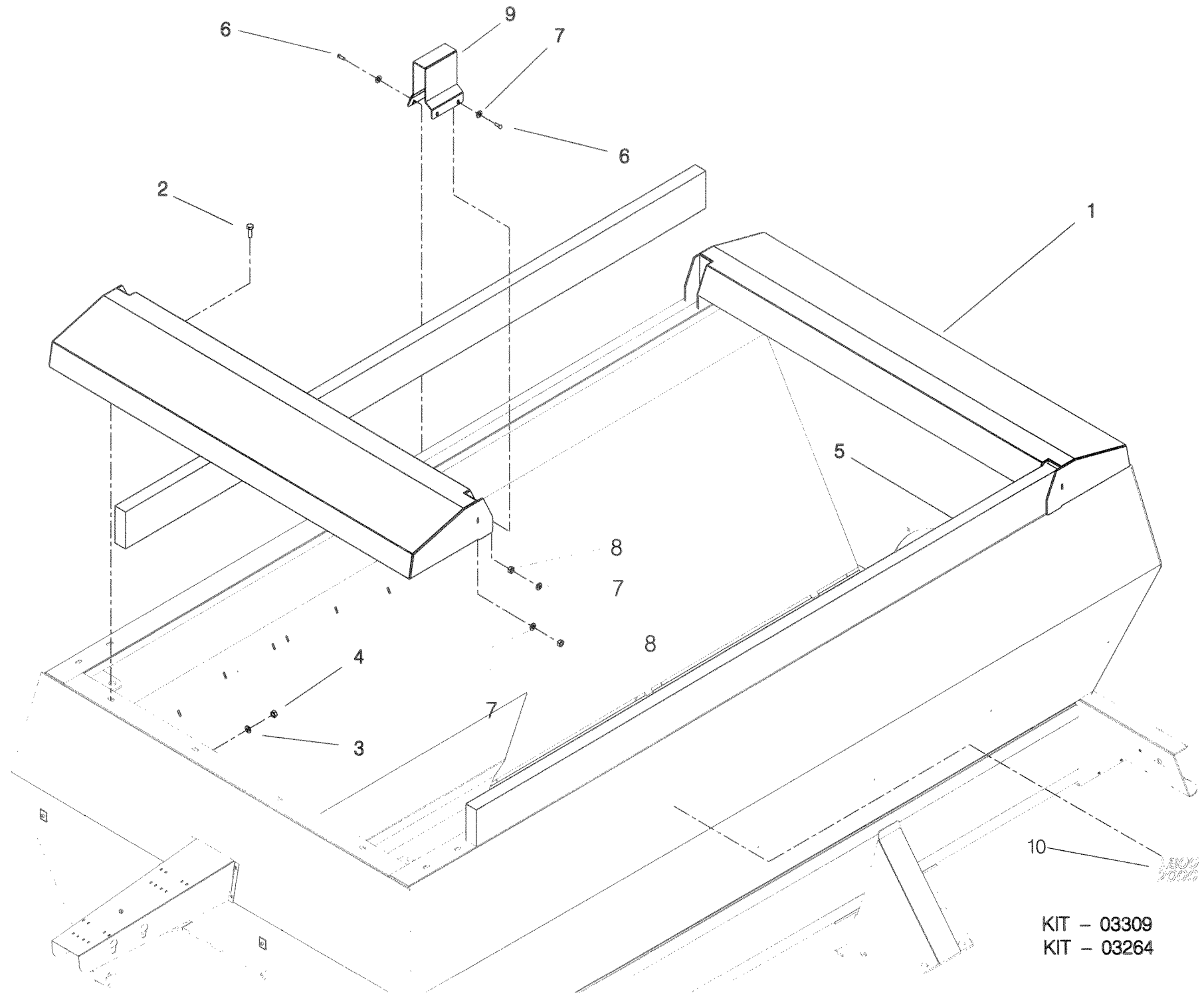
ASSY NUMBER:		KIT-03286		SUB ASSY DESCRIPTION: HYDRAULIC PARKING JACK KIT			
ITEM	PART NO	DESCRIPTION	QTY	ITEM	PART NO	DESCRIPTION	QTY
1	590966 01	JACK MNTG BKT	1				
2	HSS-0316	BOLT	4				
3	WSH-0024	WASHER	4				
4	WSH-0070	SPRING WASHER	4				
5	WSH-0015	WASHER	4				
6	NUT-0265	NYLOC NUT	4				
7	JAC-00210	HYD JACK	1				
8							
9	RCL-0015	R CLIP	2				
10	JAC-00220	HYD TANK	1				
11	HSS-0194	SETSCREW	4				
12	JAC-00225	HAND PUMP	1				
13	HMA-0057	HYD ADPT	2				
14	HHCC03500	HYD HOSE ASSY	1				
15	JAC-00230	LEVER	1				
16	611654 01	LOWER HANDLE BKT	1				
17	611655 01	TOP BKT HOOP	1				
18	HSS-0145	SET SCREW	4				
19	WSH-0012	WASHER	4				
20	NUT-0263	NYLOC NUT	4				
21	WSH-1010	DOWTY WASHER	2				



KIT - 03286

Shelbourne Reynolds Engineering Limited

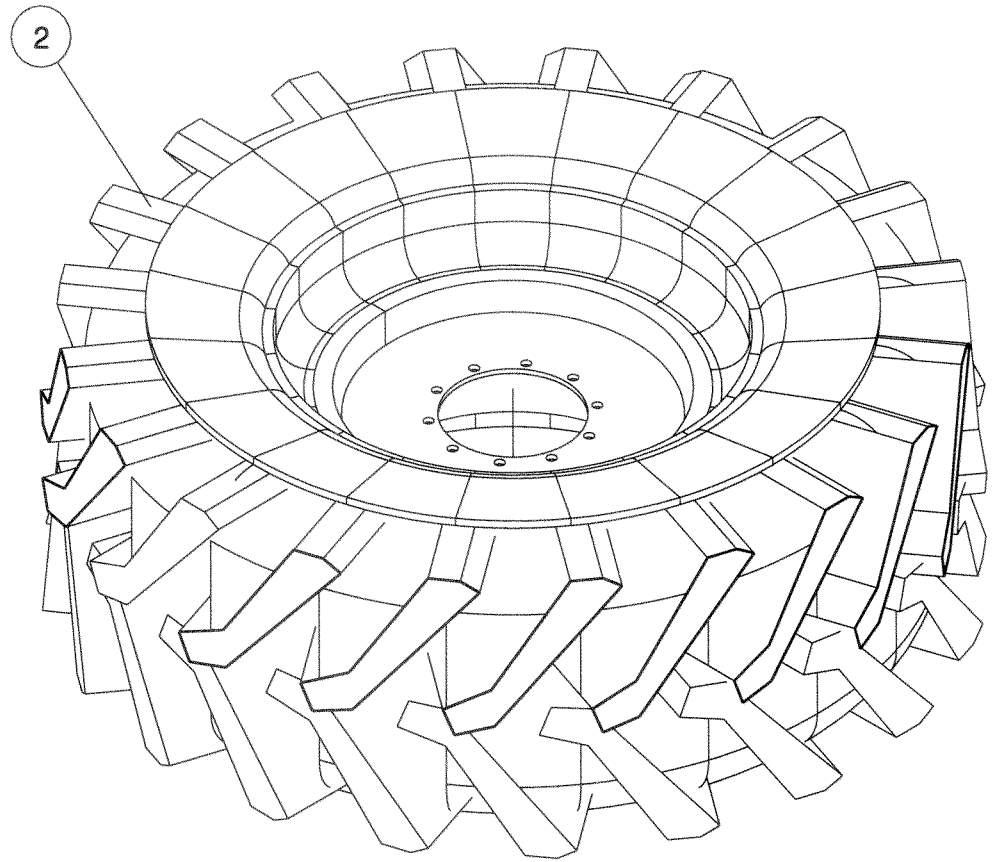
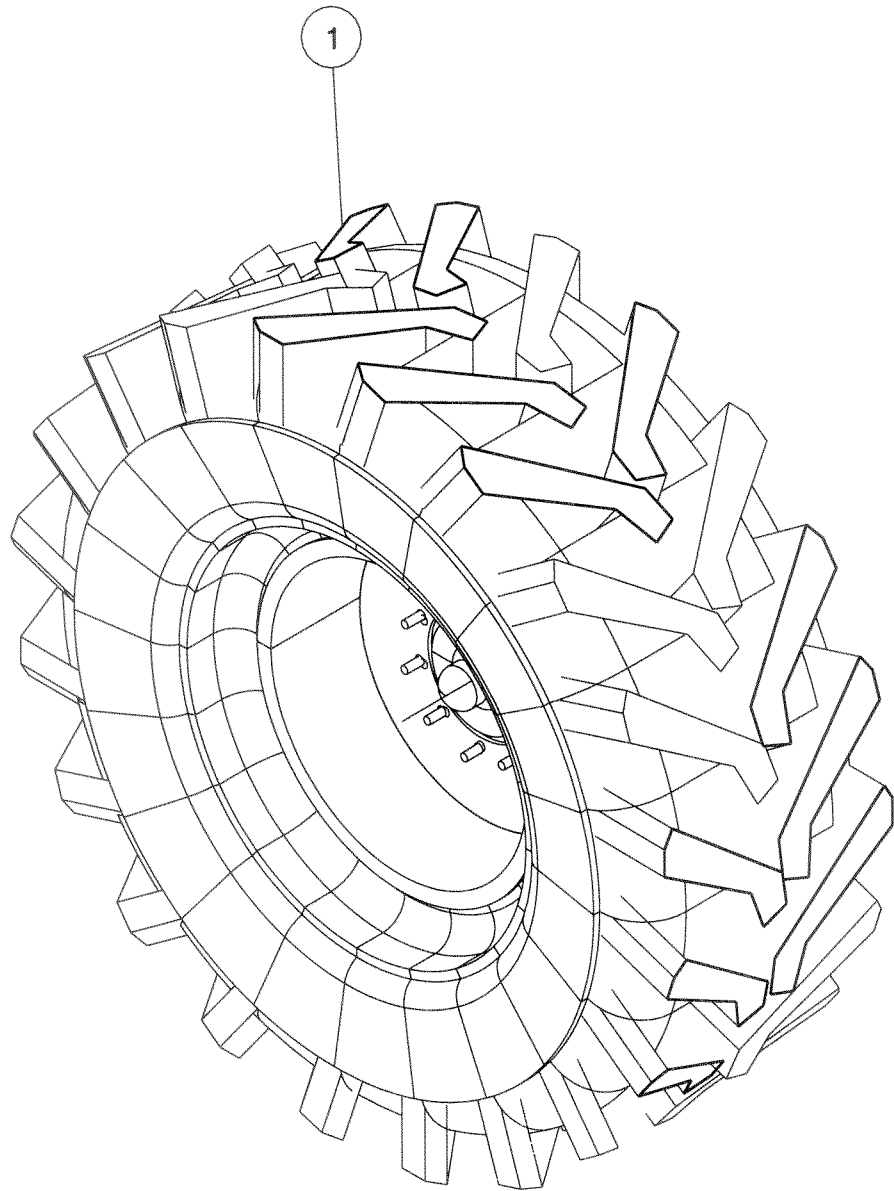
ASSY NUMBER:		KIT-03309		ASSY DESCRIPTION: 12" WOODEN EXT TOP KIT (1600-2000 GALLON)			
ITEM	PART NO	DESCRIPTION	QTY	ITEM	PART NO	DESCRIPTION	QTY
1	590944 01	SLURRY CANOPY W/A	2				
2	HSS-0238	SET SCREW	20				
3	WSH-0018	WASHER	20				
4	NUT-0269	NUT	20				
5	WOO-0016	WOODEN PLANK	4				
6	HSS-0191	SETSCREW	8				
7	WSH-0015	WASHER	16				
8	NUT-0265	NUT	8				
9	590949 01	LARGE EXTN SIDE BRKT W/A	2				
10	591007 04	TRANSFER (2000)	2				



KIT - 03309
KIT - 03264

Shelbourne Reynolds Engineering Limited

ASSY NUMBER:		KIT-03490		ASSY DESCRIPTION:WHEEL & TYRE KIT (CONTRACTORS)			
ITEM	PART NO	DESCRIPTION	QTY	ITEM	PART NO	DESCRIPTION	QTY
1	WHL-03004	RH WHEEL & TYRE ASSY (650/55-30.5 TRELLEBORG)	1				
2	WHL-03005	LH WHEEL & TYRE ASSY (650/55-30.5 TRELLEBORG)	1				



KIT - 03245
KIT - 03246
KIT - 03490

Shelbourne Reynolds Engineering Limited

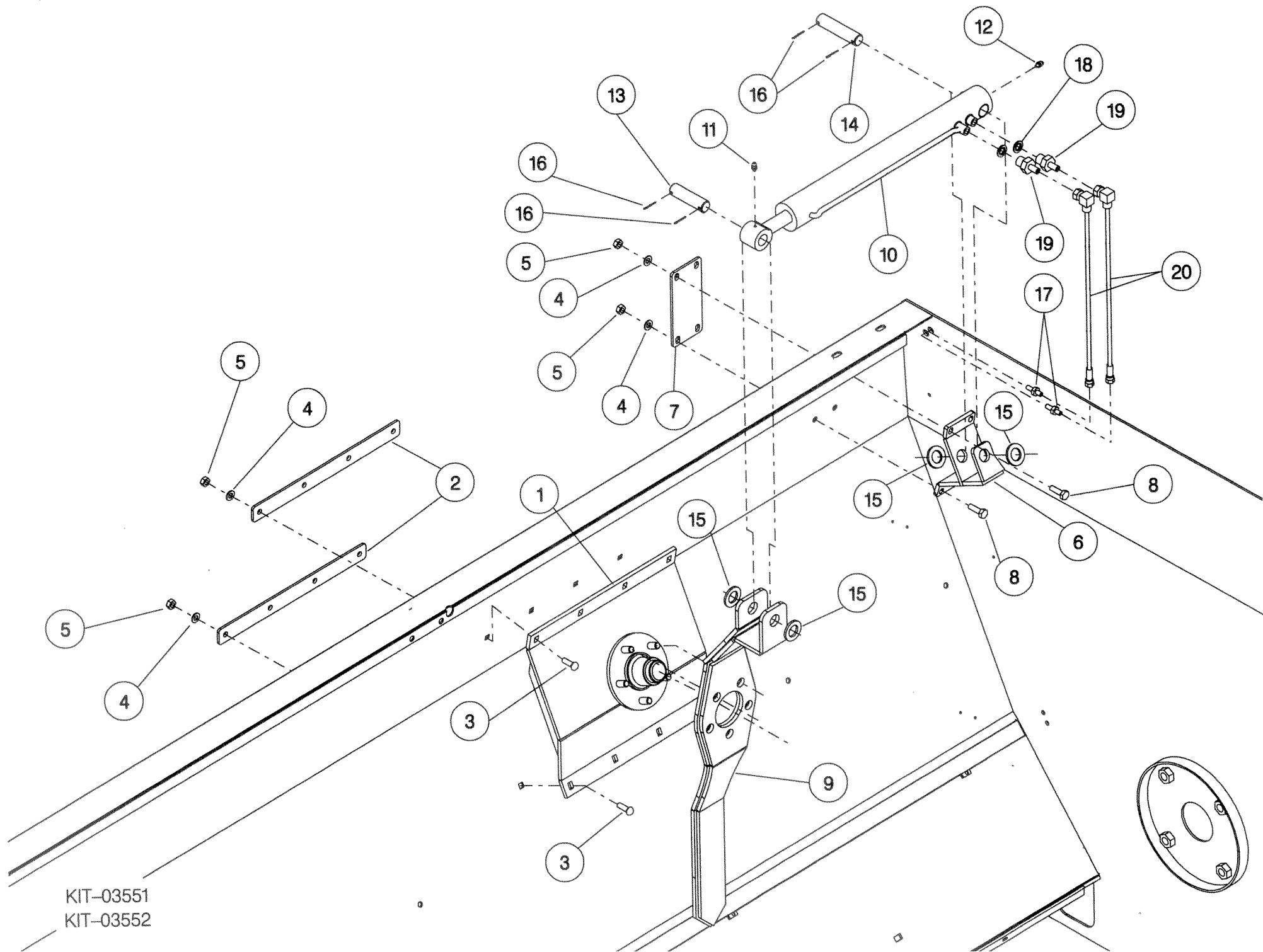
ASSY DESCRIPTION: ANTI-BRIDGING KIT 1600 DAIRY/CONTRACTOR

ASSY NUMBER: KIT-03551

ITEM	PART NO	DESCRIPTION	QTY	ITEM	PART NO	QTY
1	591049 01	ARM MOUNTING HUB	1			
2	591030 01	STRENGTHENER BAR	2			
3	BLT-3800	COACHBOLT	8			
4	WSH-0018	WASHER	12			
5	NUT-0269	NUT	12			
6	591042 01	RAM BRACKET	1			
7	591031 01	STRENGTHENER PLATE	1			
8	HSS-0250	BOLT	4			
9	591045 01	PENDULUM ARM	1			
10	800083 01	HYDRAULIC RAM	1			
10a	RMSK04032	RAM SEAL KIT	1			
11	NIP-00600	GREASE NIPPLE	1			
12	NIP-00605	GREASE NIPPLE	1			
13	591055 01	PIVOT PIN	1			
14	591055 02	PIVOT PIN	1			
15	WSH-1545	WASHER	4			
16	PIN-20629	SPLIT PIN	4			
17	HBK-0012	BULKHEAD FITTING	2			
18	WSH-1005	DOWTY WASHER	2			
19	FIT-0025	HYD ADAPT	2			
20	HHCE07705	HYD HOSE ASSY (HFAI72005 x1) (HFAF72005 x1) (HOS104050 x 0.77m)	2			

Shelbourne Reynolds Engineering Limited

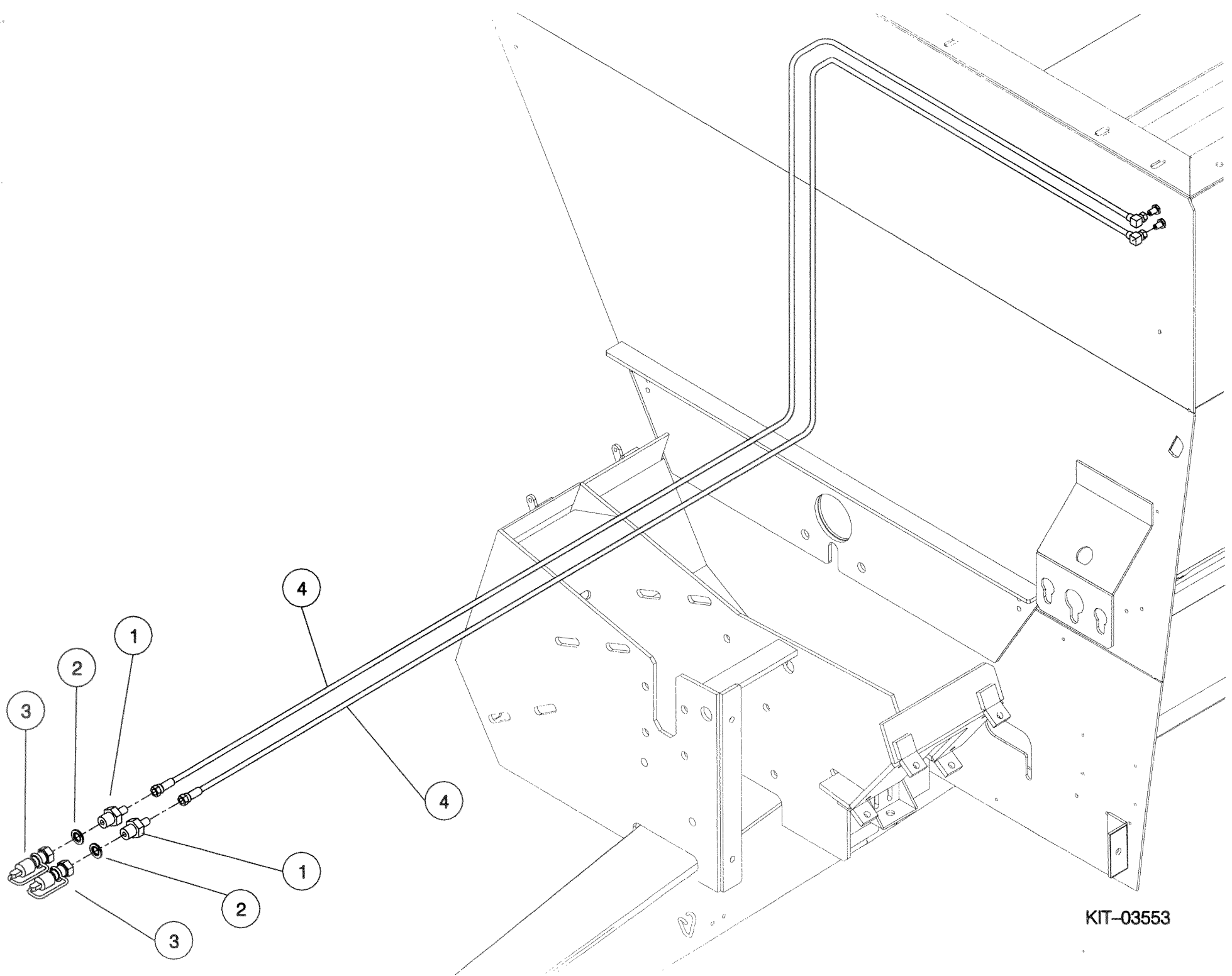
ASSY NUMBER:		KIT-03552		ASSY DESCRIPTION: ANTI-BRIDGING KIT 2200 CONTRACTOR			
ITEM	PART NO	DESCRIPTION	QTY	ITEM	PART NO		QTY
1	591049 01	ARM MOUNTING HUB	1				
2	591030 01	STRENGTHENER BAR	2				
3	BLT-3800	COACHBOLT	8				
4	WSH-0018	WASHER	12				
5	NUT-0269	NUT	12				
6	591042 01	RAM BRACKET	1				
7	591031 01	STRENGTHENER PLATE	1				
8	HSS-0250	BOLT	4				
9	591045 01	PENDULUM ARM	1				
10	800083 01	HYDRAULIC RAM	1				
10a	RMSK04032	RAM SEAL KIT	1				
11	NIP-00600	GREASE NIPPLE	1				
12	NIP-00605	GREASE NIPPLE	1				
13	591055 01	PIVOT PIN	1				
14	591055 02	PIVOT PIN	1				
15	WSH-1545	WASHER	4				
16	PIN-20629	SPLIT PIN	4				
17	HBK-0012	BULKHEAD FITTING	2				
18	WSH-1005	DOWTY WASHER	2				
19	FIT-0025	HYD ADAPT	2				
20	HHCE07705	HYD HOSE ASSY (HFAI72005 x1) (HFAF72005 x1) (HOS104050 x 0.77m)	2				



KIT-03551
KIT-03552

Shelbourne Reynolds Engineering Limited

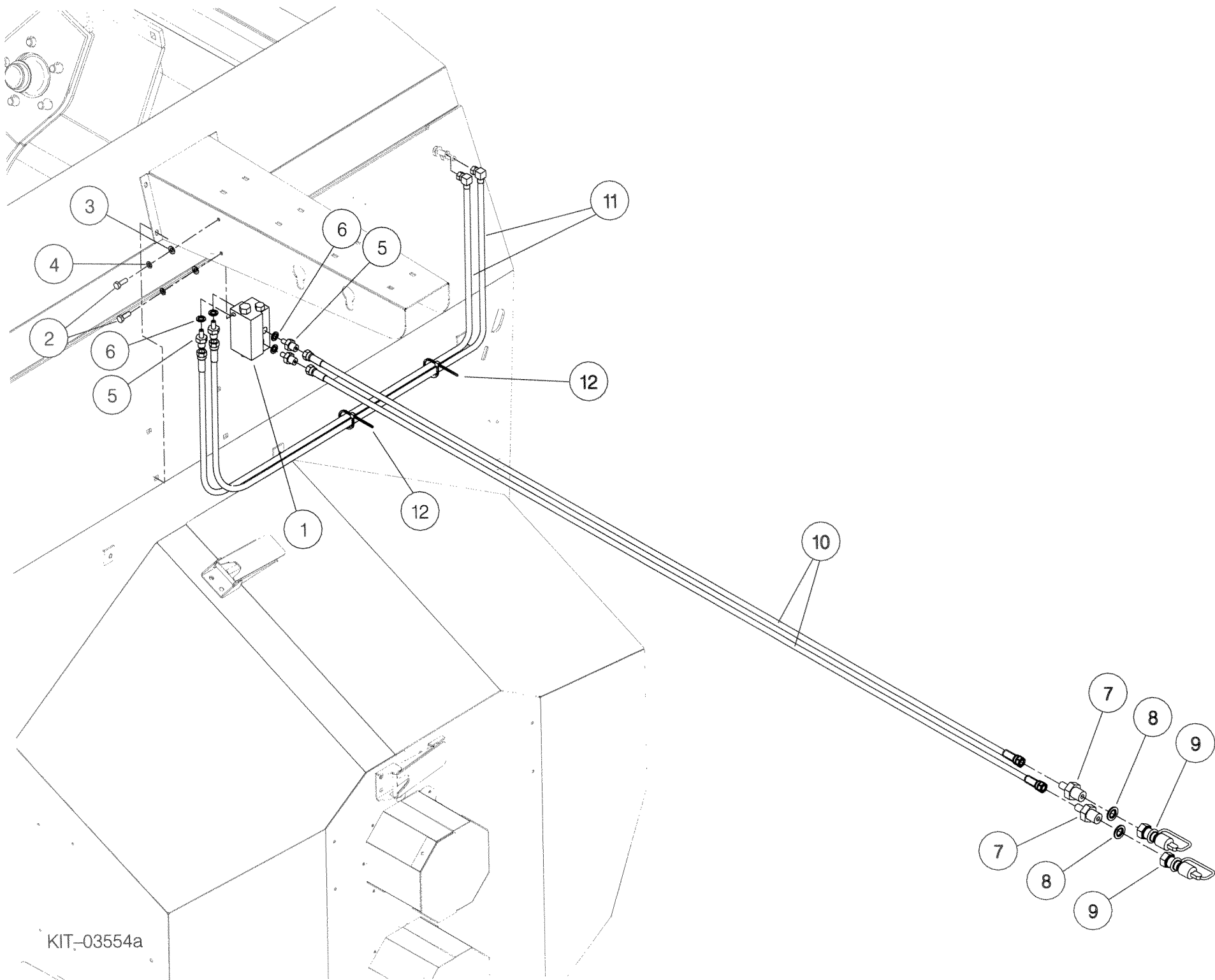
ASSY NUMBER: KIT-03553		ASSY DESCRIPTION: ANTI-BRIDGING MANUAL HYDRAULICS KI					
ITEM	PART NO	DESCRIPTION	QTY	ITEM	PART NO		QTY
1	HMA-0065	ADAPTOR	2				
2	WSH-1015	DOWTY WASHER	2				
3	COU-0162	QR COUPLING	2				
4	HHCE60005	HYD HOSE ASSY (HFAI72005 x1) (HFAF72005 x1) (HOS104050 x 6m)	2				



KIT-03553

Shelbourne Reynolds Engineering Limited

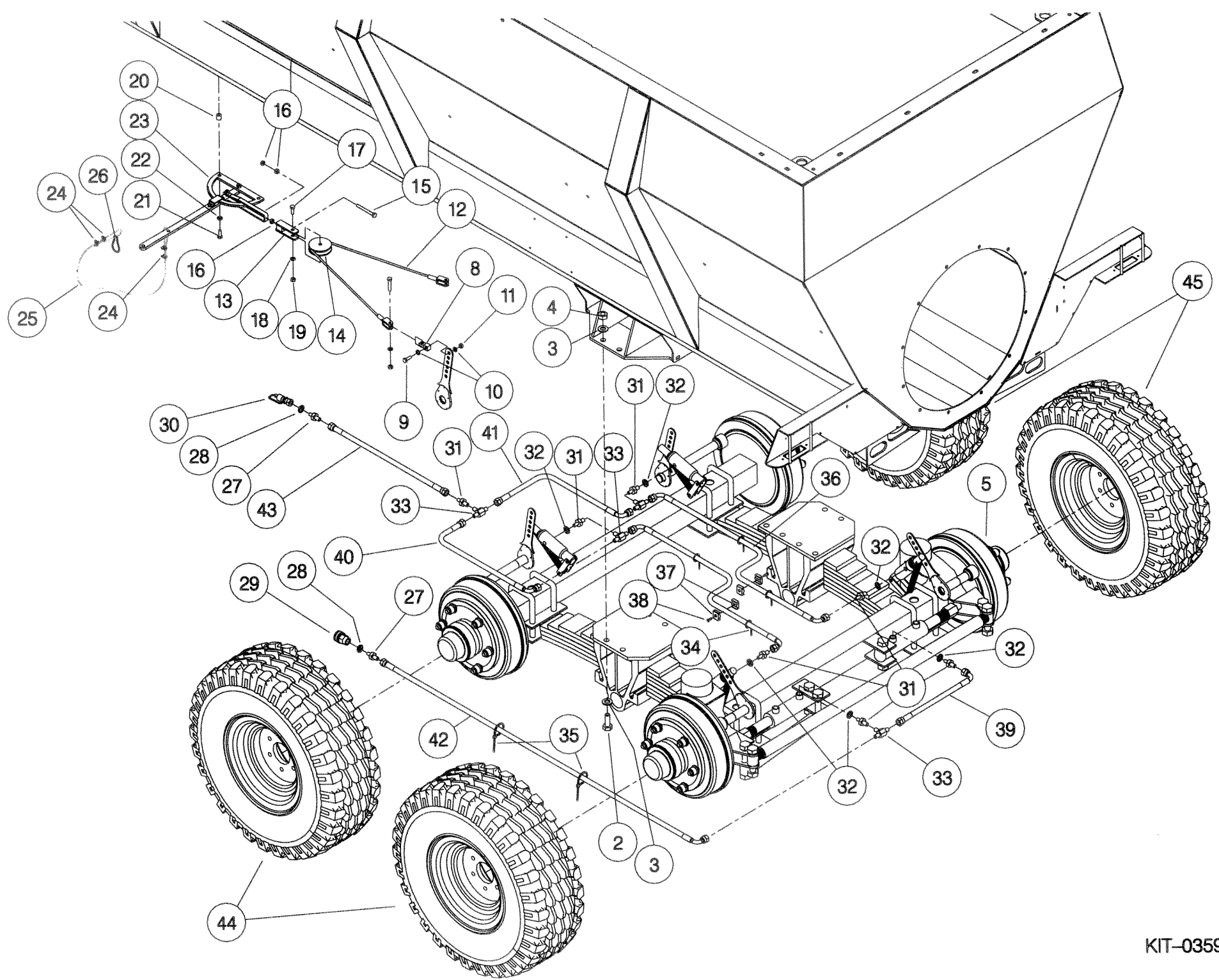
ASSY NUMBER:		KIT-03554A		ASSY DESCRIPTION: ANTI-BRIDGING AUTO HYDRAULICS KI			
ITEM	PART NO	DESCRIPTION	QTY	ITEM	PART NO		QTY
1	HVB-25500	RECIPROCATING VALVE	1				
2	HSS-0145	SETSCREW	2				
3	WSH-0012	WASHER	2				
4	WSH-0058	WASHER	2				
5	HMA-0057	ADAPTOR	4				
6	WSH-1010	DOWTY WASHER	4				
7	HMA-0065	ADAPTOR	2				
8	WSH-1015	DOWTY WASHER	2				
9	COU-0162	QR COUPLING	2				
10	HHCE33005	HYD HOSE ASSY (HFAF72005 x 2) (HOSI04050 x 3.3m)	2				
11	HHCE13605	HYD HOSE ASSY (HFAI72005 x1) (HFAF72005 x1) (HOS104050 x 1.36m)	2				
12	TIE-0004	TIE WRAPS	2				



KIT_03554a

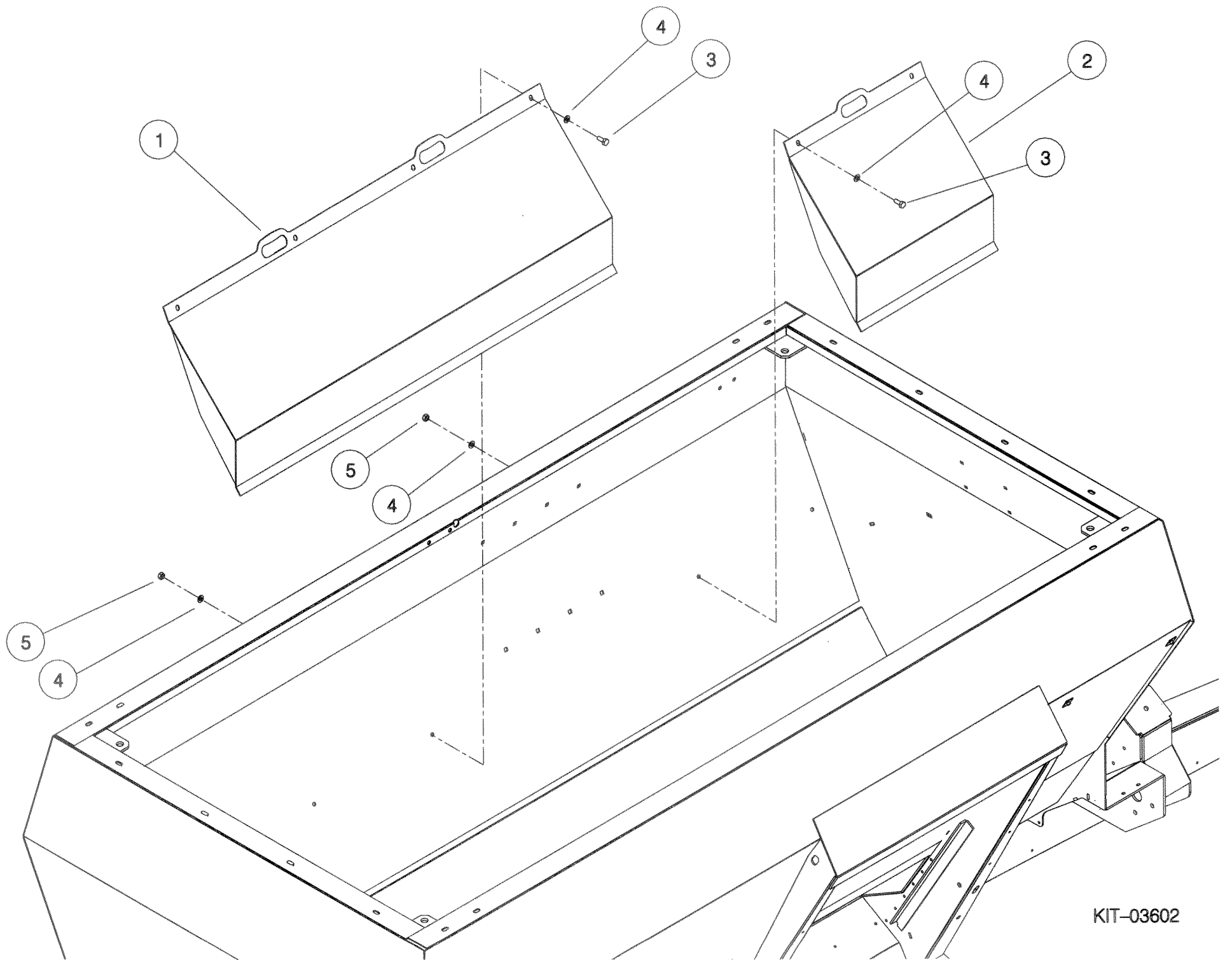
Shelbourne Reynolds Engineering Limited

ASSY NUMBER :		KIT-03592		ASSY DESCRIPTION:TANDEM AXLE P/SPREAD 2200 WHEEL&TYRE KIT			
ITEM	PART NO	DESCRIPTION	QTY	ITEM	PART NO	DESCRIPTION	QTY
1				38	SCW-0139	CP HD SCREW	2
2	BLT-2366	BOLT	12	39	HHBE05505	HYD HOSE ASSY	1
3	WSH-0030	WASHER	24	40	HHBE08005	HYD HOSE ASSY	1
4	NUTA02200	NUT	12	41	HHBE04505	HYD HOSE ASSY	1
5	AXL-00200	SPRUNG BOGIE ASSY	1	42	HHBE110005	HYD HOSE ASSY	1
6				43	HHAE87505	HYD HOSE ASSY	1
7				44	WHL-02203	WHEEL & TYRE ASSY	2
8	590062 01	BRAKE LINK PIVOT	2	45	WHL-02204	WHEEL & TYRE ASSY	2
9	HSS-0210	SETSCREW	2				
10	WSH-0015	WASHER	4				
11	NUT-0265	NUT	2				
12	590072 01	CABLE ASSY	1				
13	590060 01	PULLEY CLEVIS W/A	1				
14	590101 01	NYLON PULLEY	1				
15	HSSA10680	SETSCREW	1				
16	NUT-0167	NUT	3				
17	BLTA12350	BOLT	1				
18	WSH-0018	WASHER	1				
19	NUT-0269	NUT	1				
20	610923 01	SPACER	2				
21	HSS-0260	SETSCREW	2				
22	WSH-0065	WASHER	2				
23	590222 01	HANDBRAKE LEVER ASSY	1				
24	WRP-02040	WIRE ROPE CLAMPS	4				
25	WRP-00040	CABLE	4.0m				
26	WRP-03000	SNAP HOOK	1				
27	HMA-0065	HYD ADAPT	2				
28	WSH-1015	DOWTY WASHER	2				
29	COU-0162	QUICK RELEASE COUPLING	1				
30	HQR-10007	QUICK RELEASE COUPLING	1				
31	HMA-0057	HYD ADAPTOR	7				
32	WSH-1010	DOWTY WASHER (3/8 \times)	6				
33	FITA10140	TEE FITTING	4				
34	TIE-0004	TIE WRAP	8				
35	TIE-0012	TIE WRAP	4				
36	HHEE17005	HYDRAULIC HOSE ASSY	2				
37	HCPD01800	PIPE CLAMP	2				



Shelbourne Reynolds Engineering Limited

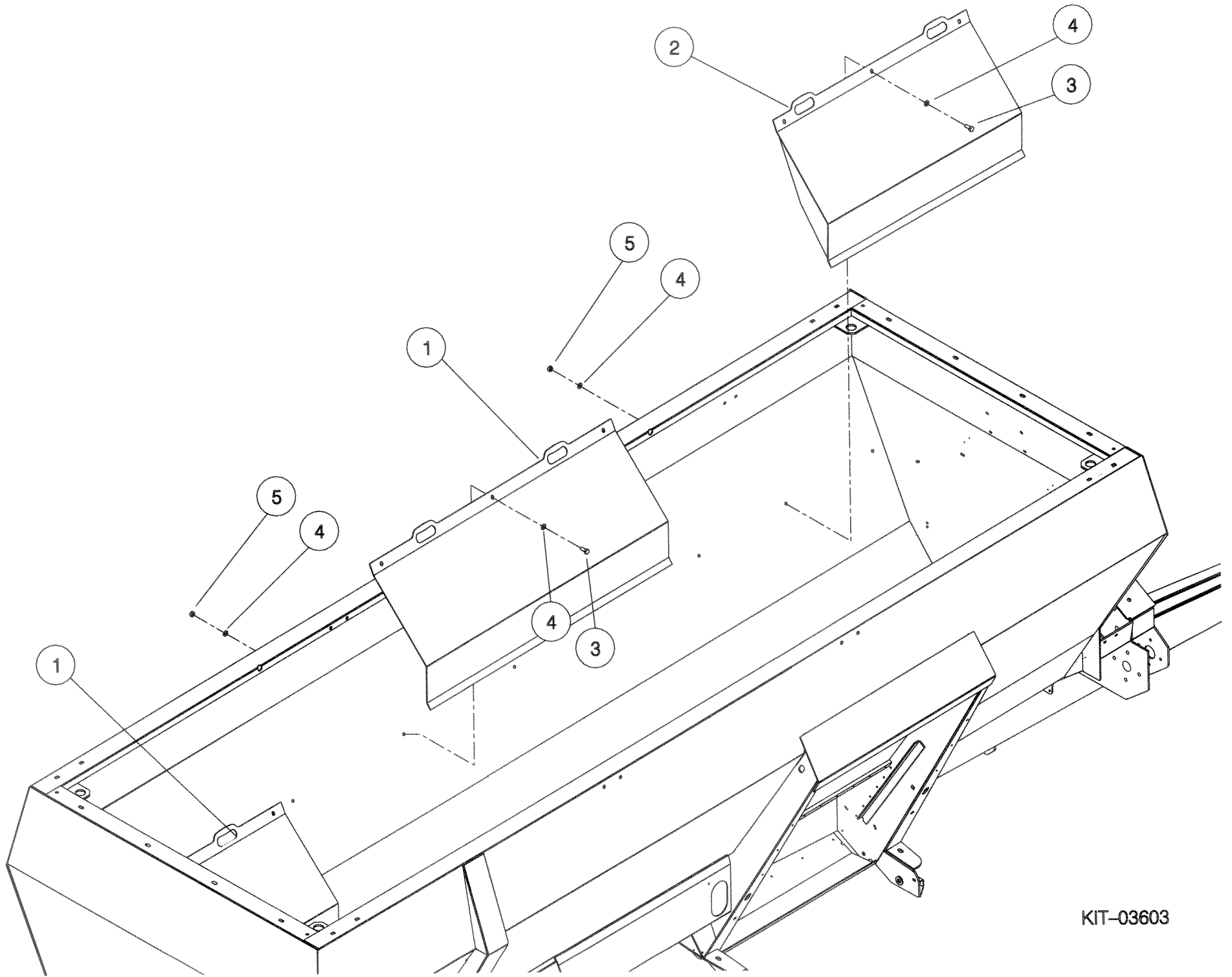
ASSY NUMBER:		KIT-03602		SUB ASSY DESCRIPTION: STRAW PLATE KIT (1400&1600 DAIRY/CON)			
ITEM	PART NO	DESCRIPTION	QTY	ITEM	PART NO	DESCRIPTION	QTY
1	590498 01	LONG STRAW PLATE ASSY	1				
2	590497 01	SHORT STRAW PLATE ASSY	1				
3	HSS-0238	SETSCREW (M12x30)	6				
4	WSH-0018	WASHER (M12 PLAIN)	12				
5	NUT-0269	NUT (M12 NYLOC)	6				



KIT-03602

Shelbourne Reynolds Engineering Limited

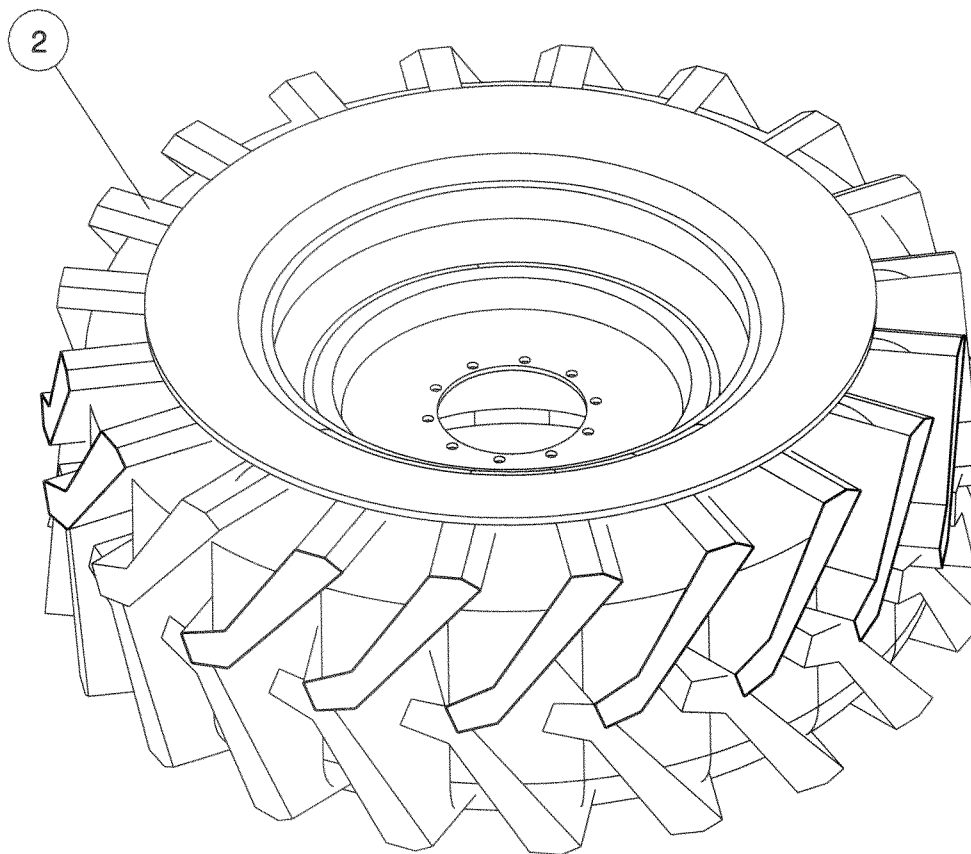
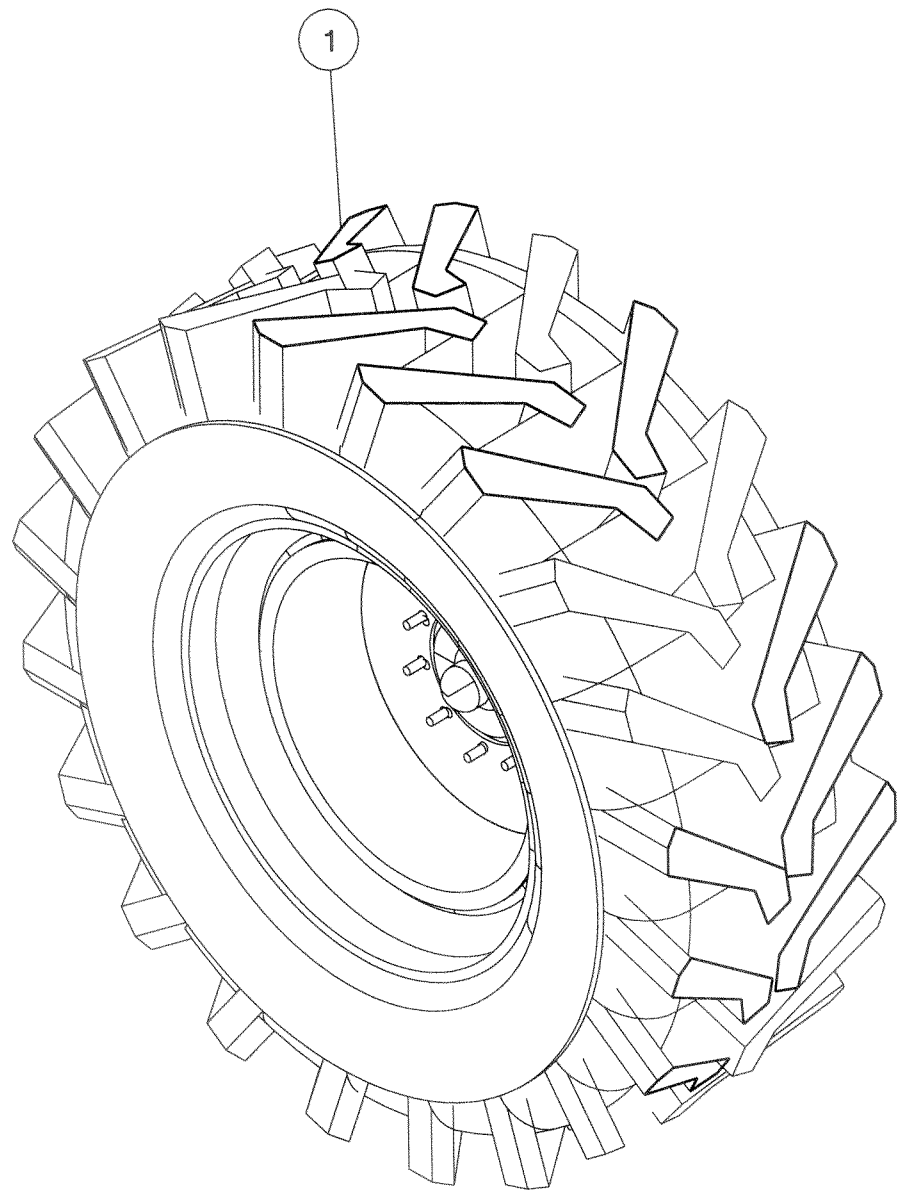
ASSY NUMBER:		KIT-03603		SUB ASSY DESCRIPTION: STRAW PLATE KIT (2200 CONTRACTOR)			
ITEM	PART NO	DESCRIPTION	QTY	ITEM	PART NO	DESCRIPTION	QTY
1	590829 01	LONG STRAW PLATE ASSY	2				
2	590828 01	SHORT STRAW PLATE ASSY	1				
3	HSS-0238	SETSCREW (M12x30)	9				
4	WSH-0018	WASHER (M12 PLAIN)	18				
5	NUT-0269	NUT (M12 NYLOC)	9				



KIT-03603

Shelbourne Reynolds Engineering Limited

ASSY NUMBER:		KIT-03606		ASSY DESCRIPTION:WHEEL & TYRE KIT (CONTRACTORS)			
ITEM	PART NO	DESCRIPTION	QTY	ITEM	PART NO	DESCRIPTION	QTY
1	WHL-02300	LH WHEEL & TYRE ASSY	1				
2	WHL-02301	RH WHEEL & TYRE ASSY	1				



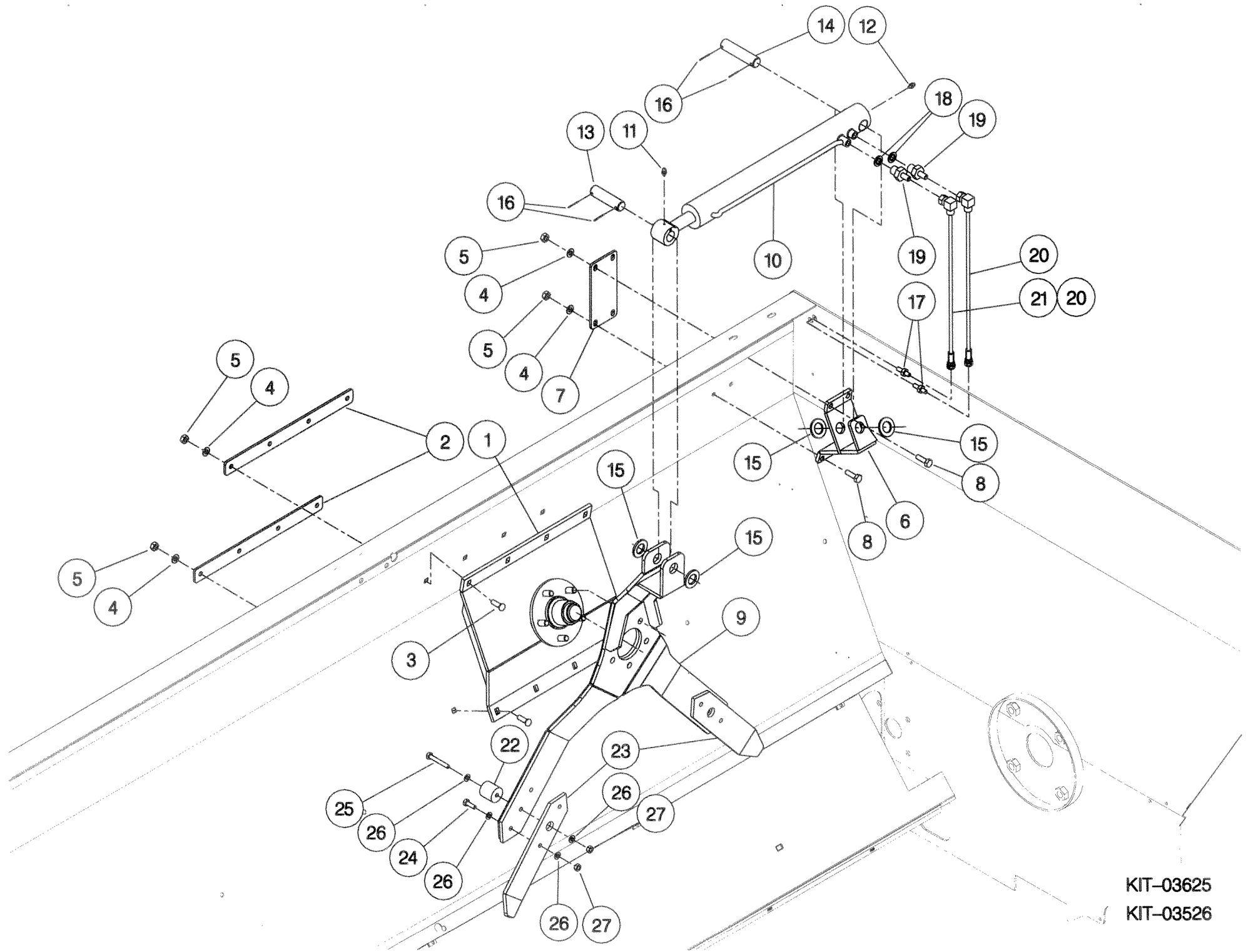
KIT - 03245
KIT - 03246
KIT - 03490
KIT - 03606

Shelbourne Reynolds Engineering Limited

ASSY NUMBER:		KIT-03625		ASSY DESCRIPTION: ANTI-BRIDGING KIT DOUBLE ARM 1600			
				DAIRY/CONTRACTOR			
ITEM	PART NO	DESCRIPTION	QTY	ITEM	PART NO		QTY
1	591049 01	ARM MOUNTING HUB	1				
2	591030 01	STRENGTHENER BAR	2				
3	BLT-3800	COACHBOLT	8				
4	WSH-0018	WASHER	12				
5	NUT-0269	NUT	12				
6	591042 01	RAM BRACKET	1				
7	591031 01	STRENGTHENER PLATE	1				
8	HSS-0250	BOLT	4				
9	591073 01	PENDULUM DOUBLE ARM	1				
10	801236 01	HYDRAULIC RAM, 35mm ROD	1				
OR	800083 01	HYDRAULIC RAM, 32mm ROD	1				
10a	RMSK00320	RAM SEAL KIT, 35mm ROD					
OR	RMSK00290	RAM SEAL KIT, 32mm ROD					
OR	RMSK04032	RAM SEAL KIT, 32mm ROD					
11	NIP-00600	GREASE NIPPLE	1				
12	NIP-00605	GREASE NIPPLE	1				
13	591055 01	PIVOT PIN	1				
14	591055 02	PIVOT PIN	1				
15	WSH-1545	WASHER	4				
16	PIN-20629	SPLIT PIN	4				
17	HBK-0012	BULKHEAD FITTING	2				
18	WSH-1005	DOWTY WASHER	2				
19	FIT-0025	HYD ADAPT	2				
20	HHCE03005	HYD HOSE ASSY	1				
21	HHCE03405	HYD HOSE ASSY	1				
22	591072 01	NYLON SUPPORT	2				
23	591071 01	ARM EXTENTION	2				
24	HSS-0202	SETSCREW	4				
25	HSSA10440	SETSCREW	2				
26	WSH-0015	PLAIN WASHER	12				
27	NUT-0265	NUT NYLOCK	6				

Shelbourne Reynolds Engineering Limited

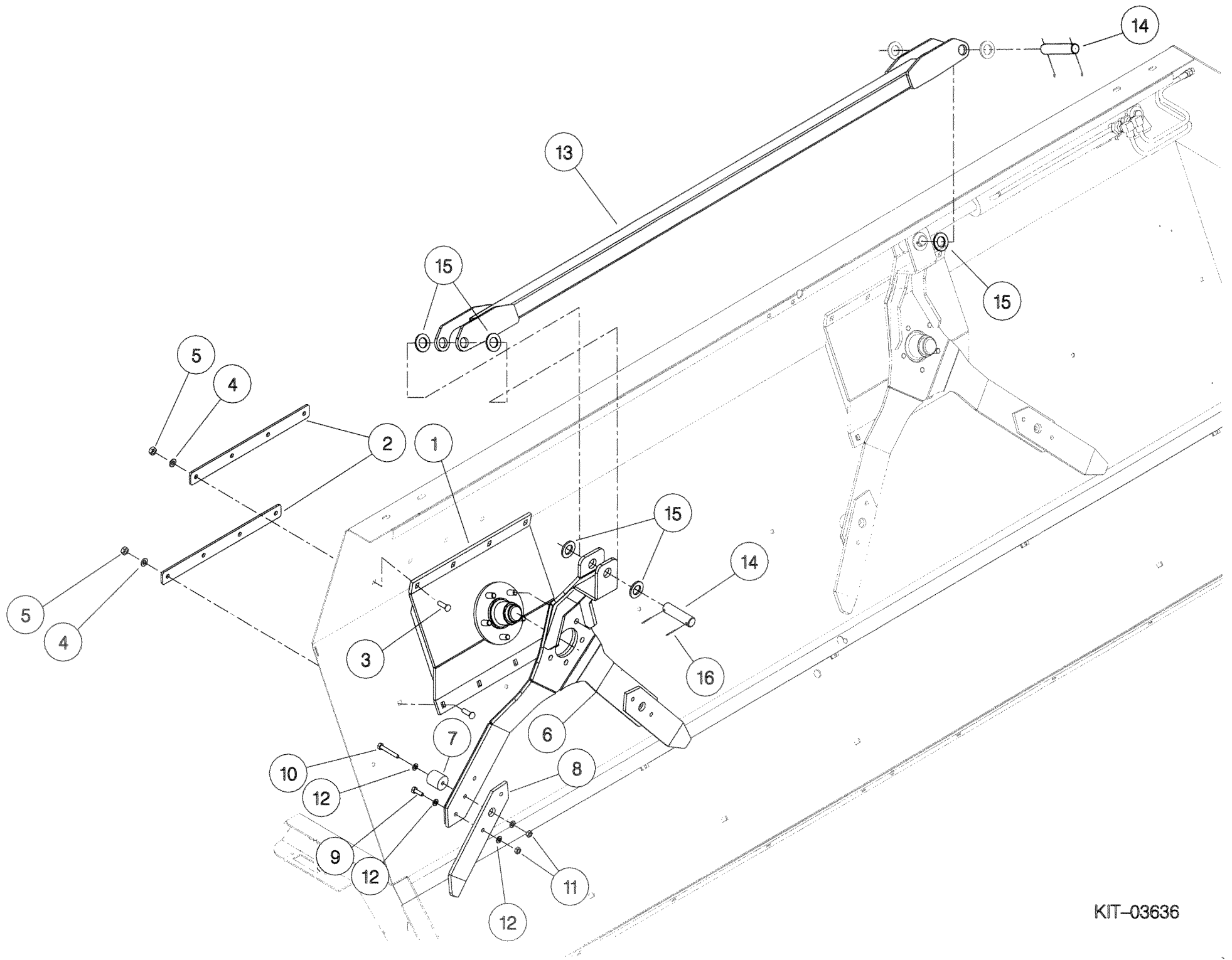
ASSY NUMBER:		KIT-03626		ASSY DESCRIPTION: ANTI-BRIDGING KIT DOUBLE ARM 2200			
ITEM	PART NO	DESCRIPTION	QTY	ITEM	PART NO	CONTRACTOR	QTY
1	591049 01	ARM MOUNTING HUB	1				
2	591030 01	STRENGTHENER BAR	2				
3	BLT-3800	COACHBOLT	8				
4	WSH-0018	WASHER	12				
5	NUT-0269	NUT	12				
6	591042 01	RAM BRACKET	1				
7	591031 01	STRENGTHENER PLATE	1				
8	HSS-0250	BOLT	4				
9	591073 01	PENDULUM ARM	1				
10	801236 01	HYDRAULIC RAM, 35mm ROD	1				
OR	800083 01	HYDRAULIC RAM, 32mm ROD	1				
10a	RMSK00320	RAM SEAL KIT, 35mm ROD					
OR	RMSK00290	RAM SEAL KIT, 32mm ROD					
OR	RMSK04032	RAM SEAL KIT, 32mm ROD					
11	NIP-00600	GREASE NIPPLE	1				
12	NIP-00605	GREASE NIPPLE	1				
13	591055 01	PIVOT PIN	1				
14	591055 02	PIVOT PIN	1				
15	WSH-1545	WASHER	4				
16	PIN-20629	SPLIT PIN	4				
17	HBK-0012	BULKHEAD FITTING	2				
18	WSH-1005	DOWTY WASHER	2				
19	FIT-0025	HYD ADAPT	2				
20	HHCE07705	HYD HOSE ASSY	2				
21							
22	591072 01	NYLON SUPPORT	2				
23	591071 01	ARM EXTENTION	2				
24	HSS-0202	SETSCREW	4				
25	HSSA10440	SETSCREW	2				
26	WSH-0015	PLAIN WASHER	12				
27	NUT-0265	NUT NYLOCK	6				



KIT-03625
KIT-03526

Shelbourne Reynolds Engineering Limited

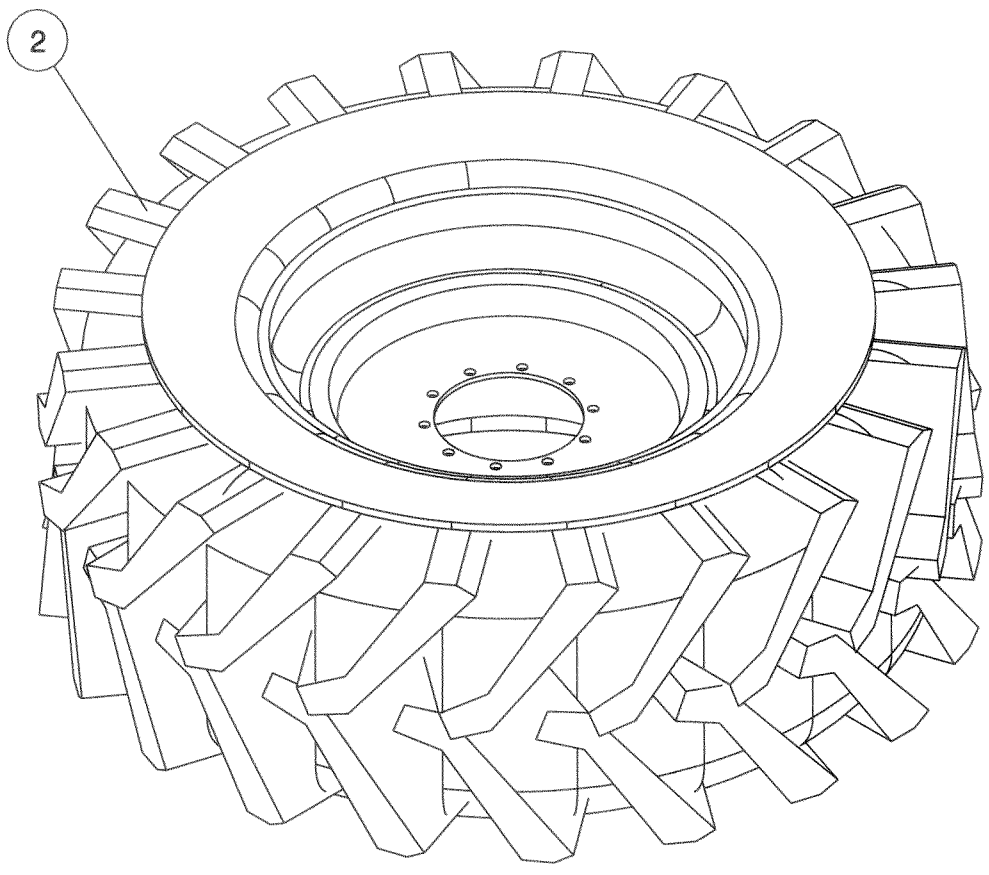
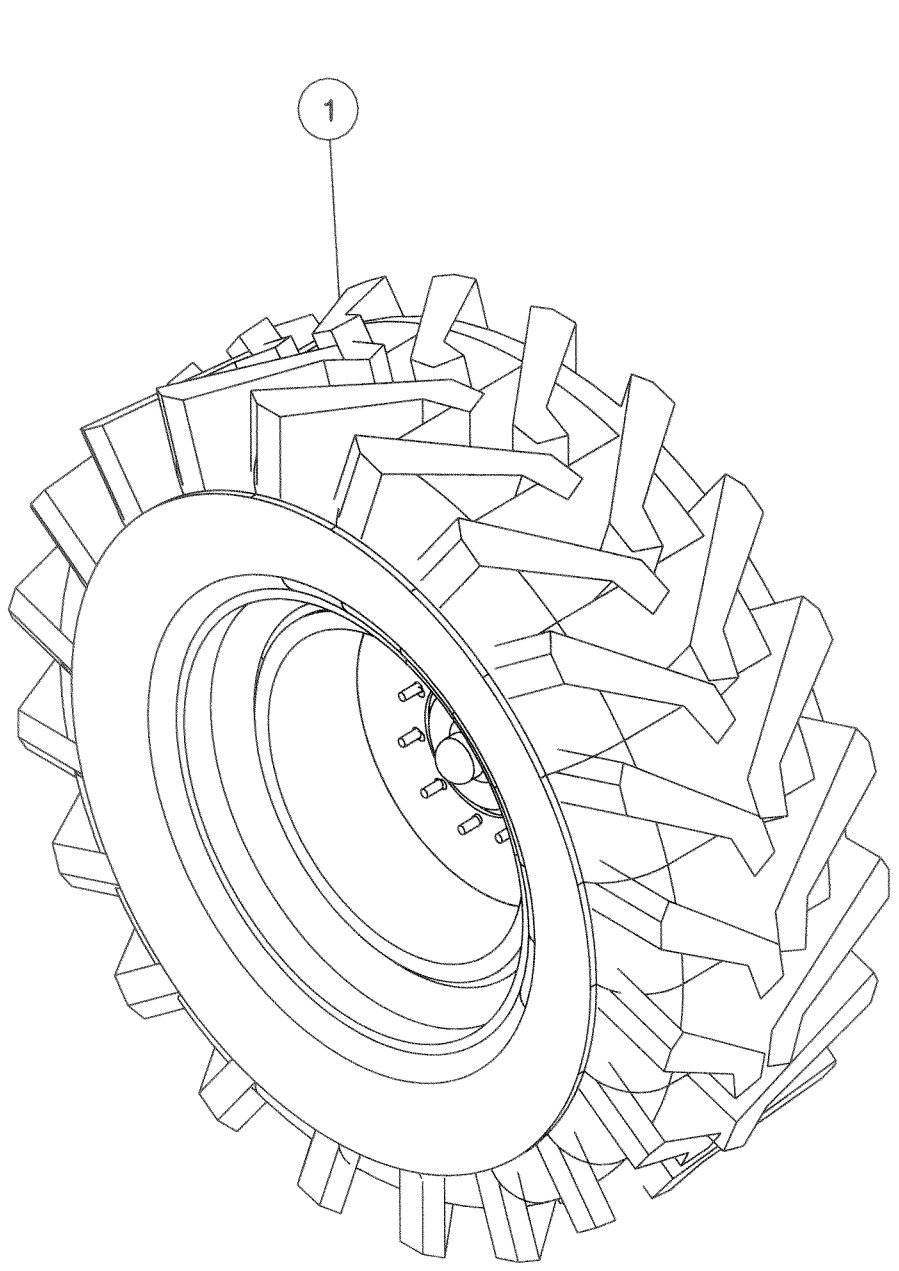
ASSY NUMBER:		KIT-03636		ASSY DESCRIPTION: ANTI-BRIDGING DOUBLE DOUBLE KIT			
ITEM	PART NO	DESCRIPTION	QTY	ITEM	PART NO	2200	QTY
1	591049 01	ARM MOUNTING HUB	1				
2	591030 01	STRENGTHENER BAR	2				
3	BLT-3800	COACHBOLT	8				
4	WSH-0018	WASHER	8				
5	NUT-0269	NUT	8				
6	591073 01	PENDULUM ARM	1				
7	591072 01	NYLON SUPPORT	2				
8	591071 01	ARM EXTENTION	2				
9	HSS-0202	SETSCREW	4				
10	HSSA10440	SETSCREW	2				
11	NUT-0265	NUT NYLOCK	6				
12	WSH-0015	PLAIN WASHER	6				
13	591076 01	LINK ARM	1				
14	591055 03	PIVOT PIN	2				
15	WSH-1545	WASHER	6				
16	PIN-20629	SPLIT PIN	2				



KIT-03636

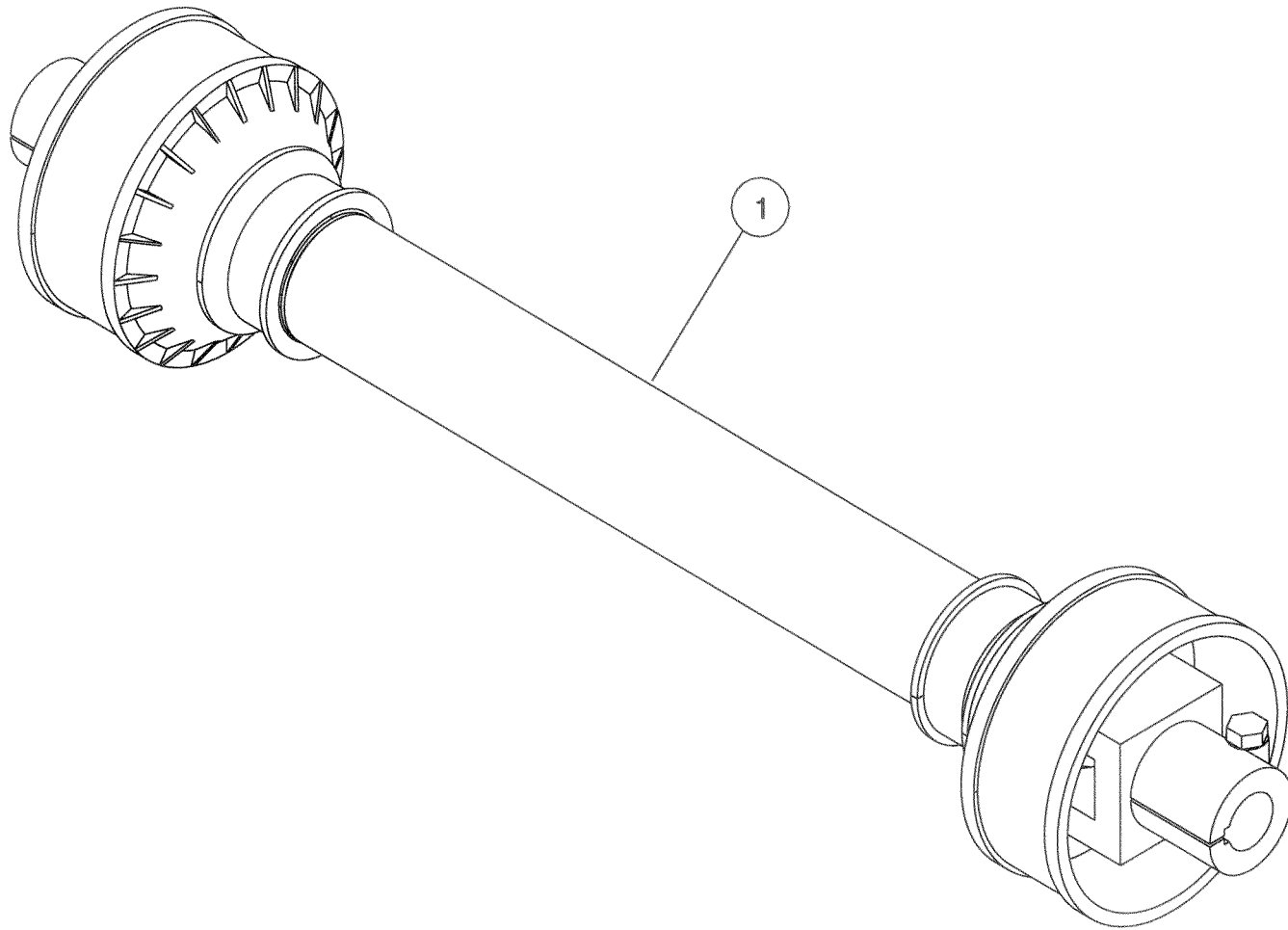
Shelbourne Reynolds Engineering Limited

ASSY NUMBER:		KIT-03648		ASSY DESCRIPTION:WHEEL&TYRE KIT (600/65R23 75mm +OFFSET)			
ITEM	PART NO	DESCRIPTION	QTY	ITEM	PART NO	DESCRIPTION	QTY
1	WHL-02302	LH WHEEL & TYRE ASSY	1				
2	WHL-02303	RH WHEEL & TYRE ASSY	1				



Shelbourne Reynolds Engineering Limited

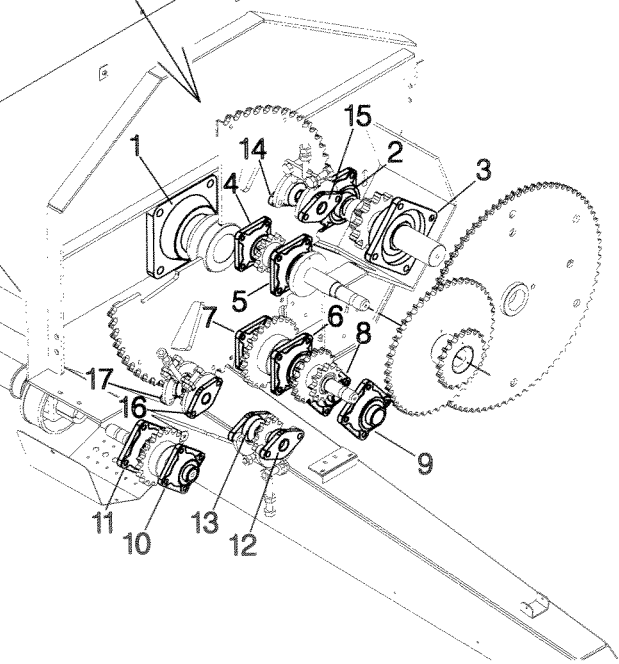
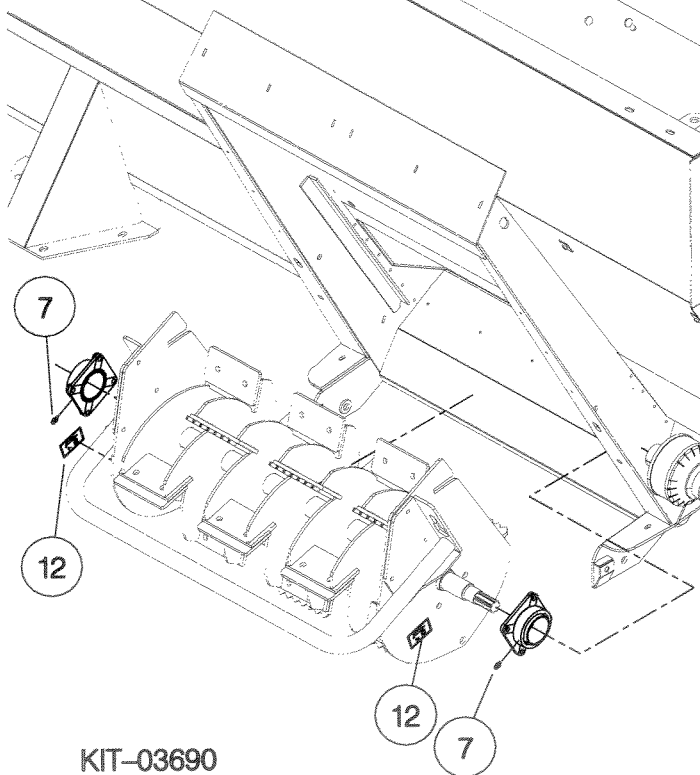
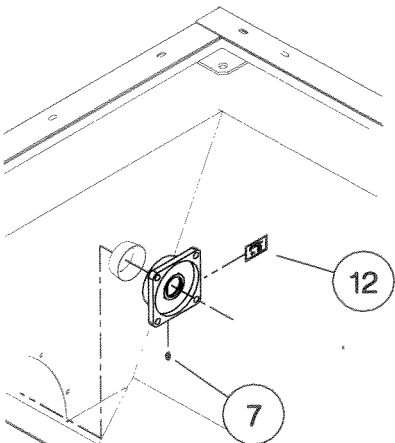
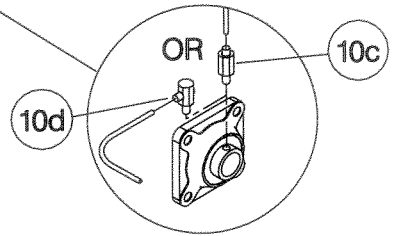
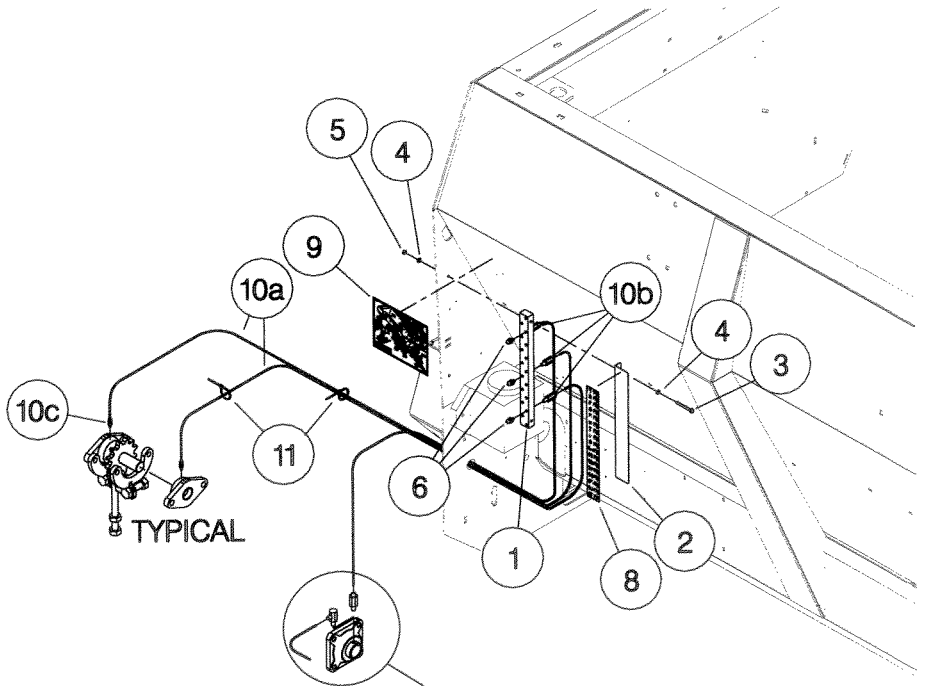
ASSY NUMBER:		KIT-03649		ASSY DESCRIPTION: PTO SHAFT KIT (NON WIDE ANGLE-CONTRACTOR)			
ITEM	PART NO	DESCRIPTION	QTY	ITEM	PART NO	DESCRIPTION	QTY
1	PTO-25105W	PTO SHAFT ASSY	1				



Shelbourne Reynolds Engineering Limited

ASSY NUMBER:		KIT-03690		SUB ASSY DESCRIPTION: CONTRACTOR BEARING GREASER KIT			
ITEM	PART NO	DESCRIPTION	QTY	ITEM	PART NO	DESCRIPTION	QTY
1	591093 01	MULTI-POINT GREASE BLOCK	1				
2	591092 01	EMBLEM MTG PLATE	1				
3	BLTA06320	BOLT (M6x50)	2				
4	WSH-0009	WASHER (M6 PLAIN)	4				
5	NUT-0260	NUT (M6 NYLOC)	2				
6	NIP-0001	GREASE NIPPLE (1/8" BSP ST)	17				
7	NIP-0051	GREASE NIPPLE (1/4" BSF ST)	3				
8	591094 01	GREASE BLOCK EMBLEM	1				
9	591091 01	CONTRACTOR GREASE TRANSFER	1				
10	LUB-00043	BEARING GREASER KIT	1				
10a	LUB-00044	6mm MOLYAMIDE TUBE	55m				
10b	LUB-00045	STRAIGHT ADAPTOR (1/8" BSP)	17				
10c	LUB-00046	STRAIGHT ADAPTOR (1/4" UNF)	11				
10d	LUB-00047	90 DEG ADAPTOR (1/4" UNF)	6				
11	TIE-0004	CABLE TIE	40				
12	127075 12	10H GREASE EMBLEM	3				

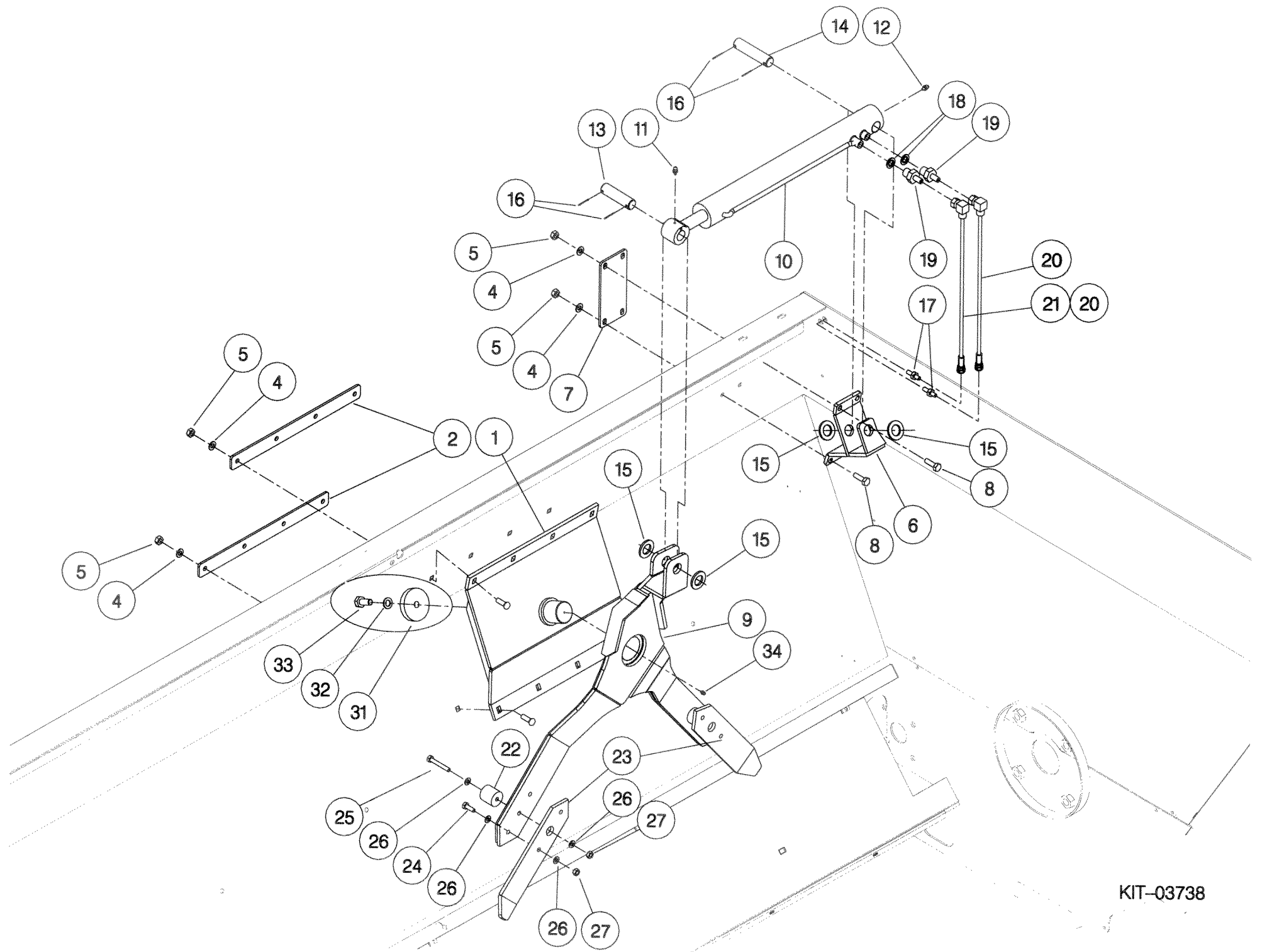
- 1 齒
- 2 齒
- 3 齒
- 4 齒
- 5 齒
- 6 齒
- 7 齒
- 8 齒
- 9 齒
- 10 齒
- 11 齒
- 12 齒
- 13 齒
- 14 齒
- 15 齒
- 16 齒
- 17 齒



KIT-03690

Shelbourne Reynolds Engineering Limited

ASSY NUMBER:		KIT-03738		ASSY DESCRIPTION: ANTI-BRIDGING KIT DOUBLE ARM 1600 DAIRY/CONTRACTOR			
ITEM	PART NO	DESCRIPTION	QTY	ITEM	PART NO		QTY
1	591121 01	BRIDGE ARM MTG PLATE W/A	1				
2	591030 01	STRENGTHENER BAR	2				
3	BLT-3800	COACHBOLT	8				
4	WSH-0018	WASHER	12				
5	NUT-0269	NUT	12				
6	591042 01	RAM BRACKET	1				
7	591031 01	STRENGTHENER PLATE	1				
8	HSS-0250	BOLT	4				
9	591134 01	PENDULUM DOUBLE ARM	1				
10	801236 01	HYDRAULIC RAM, 35mm ROD	1				
10a	RMSK00320	RAM SEAL KIT, 35mm ROD					
11	NIP-00600	GREASE NIPPLE	1				
12	NIP-00605	GREASE NIPPLE	1				
13	591055 01	PIVOT PIN	1				
14	591055 02	PIVOT PIN	1				
15	WSH-1545	WASHER	4				
16	PIN-20629	SPLIT PIN	4				
17	HBK-0012	BULKHEAD FITTING	2				
18	WSH-1005	DOWTY WASHER	2				
19	FIT-0025	HYD ADAPT	2				
20	HHCE03005	HYD HOSE ASSY	1				
21	HHCE03405	HYD HOSE ASSY	1				
22	591072 01	NYLON SUPPORT	2				
23	591071 01	ARM EXTENTION	2				
24	HSS-0202	SETSCREW	4				
25	HSSA10440	SETSCREW	2				
26	WSH-0015	PLAIN WASHER	12				
27	NUT-0265	NUT NYLOCK	6				
28	BSHA06565	BUSH	1				
29							
30	NUT-0271	NUT (M16 NYLOC)	1				
31	190548 72	WASHER (17 I/Dx90 O/Dx10 THK)	1				
32	WSHA30161	LOCKWASHER (M16)	1				
33	HSSA16200	SETSCREW (M16x30)	1				
34	NIP-00600	GREASE NIPPLE (M6)	1				



KIT-03738