

Shelbourne

REYNOLDS

EXCEL 42

PARTS MANUAL



Shelbourne Reynolds Engineering Ltd
Stanton
Bury St Edmunds
Suffolk
IP31 2AR
England

Telephone: 01359 250415
Fax: 01359 250464

Stores Direct : 01359 251231
Stores Direct: 01359 252031

Shelbourne Reynolds Inc.
Colby PO box 607
1250 S Country Club Drive
Colby , Kansas 67701
U.S.A.

Telephone: (785) 462 6299
Fax: (785) 462 6761

Issue 6

16/06/2023

www.shelbourne.com



STRIPPER HEADER

ORDERING SPARE PARTS

IMPORTANT

Your Stripper Header is made up of a Machine assembly number (common parts), specific sub assemblies and also customer optional build kits. The machine, sub assemblies and optional kit numbers are listed in the front pages of your Operators manual. If you do not have these numbers please contact Shelbourne Reynolds Parts Department direct on (telephone) Stanton - (01359) 251231 or Colby - (785) 462 6299.

To ensure that you order the correct part from your SRE dealer please use the following procedure.

ALWAYS QUOTE THE MACHINE AND SERIAL NUMBERS WHEN ORDERING.

The year and/or serial number of the machine may determine the correct sub assembly.

Refer to the Parts Manuals front page/s, listing the machine assemblies. Select the correct machine assembly number which is printed in the top left corner of the page (starting with 1965_ _ 01), This machine number can also be taken from the Stripper Header identification plate located on the rear left hand corner of the machine.

On this page you will find the parts listing for the common parts for every configuration of that machine assembly number. You will find the corresponding drawing by either looking at the facing page or progressing through the manual to the next drawing. The drawings indicate the components by item numbers, which you will find, are repeated in the left-hand side of your parts listing, and therefore referring to the correct part.

Note all parts will not be found listed below the machine number. Other parts will be from specific sub assemblies and optional kits. These sub assemblies and kits will be found in numerical order further through the manual. Sub assemblies start with 1960_ _ 01 and kits start with KIT- 19 _ _ _.

The parts listing for adaptor plates, drive kits and hydraulic couplings can be found in the following manuals;

Drive & Adaptor Plate Manuals

| | |
|--------------------|-----------|
| Massey Ferguson | MAN-03172 |
| Claas/Cat | MAN-03173 |
| John Deere | MAN-03174 |
| New Holland | MAN-03175 |
| Laverda | MAN-03176 |
| Gleaner/Challenger | MAN-03177 |
| Case IH | MAN-03178 |

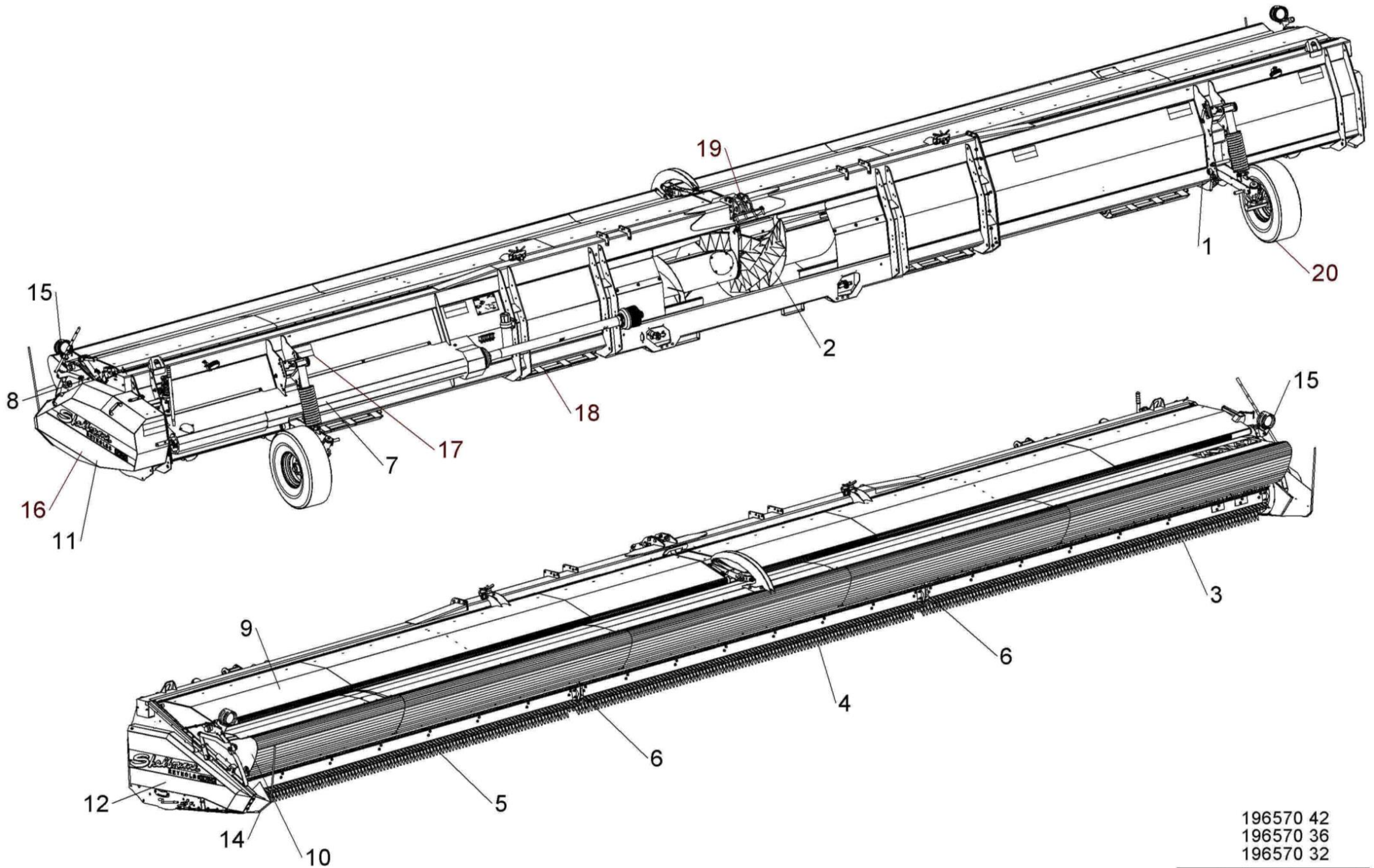
List Of Kit Numbers

| | | |
|------------|--|----|
| 196570 42 | Excel 42 Shelbourne Header | 4 |
| 196143 42 | Header Lights Sub | 6 |
| 196193 42 | Hydraulic Circuit Sub | 8 |
| 196253 04 | 4.2m Drive End Rotor Assembly | 10 |
| 196254 04 | 4.2m Idle Rotor Assembly | 12 |
| 196255 04 | 4.2m Centre Rotor Assembly | 14 |
| 196256 42 | Crop Deflector Sub Assy | 16 |
| 196257 42 | Hood Sub Assembly | 18 |
| 196258 01 | Rotor Mounting Sub | 20 |
| 196259 42 | Auger Sub Assembly 42' (Upto 2013) | 23 |
| 196260 42 | Rear Drive Shaft Assembly | 26 |
| 196261 01 | RSD Drive Sub | 28 |
| 196262 01 | VS Drive Sub | 31 |
| 196263 42 | Frame and Parts Sub Assembly | 35 |
| 196264 01 | Emblems And Guards Sub | 38 |
| 196265 01 | Drive Sub Assembly | 40 |
| 196268 42 | Frame And Parts Sub | 42 |
| 196269 42 | Hood Assembly (Early To Mid 2012 Only) | 44 |
| 196270 42 | Crop Deflector Sub Assembly (Early To Mid 2012) | 46 |
| 196271 42 | Hood Assembly (Late 2012 Upto 2014) | 48 |
| 196272 42 | Crop Deflector Sub Assembly (Late 2012 To 2014) | 50 |
| 196274 42 | Rear Drive Shaft Sub Assembly (2013 And On) | 52 |
| 196275 42 | Auger Sub Assembly 42' (2013 Only) | 54 |
| GEA-0058 | Input Gearbox Assembly Variable Speed | 56 |
| GEA-0059 | Input Gearbox HTD Drive | 58 |
| KIT-00121 | Auger Drive/Sprocket Clutch | 60 |
| KIT-00931 | PTO Support Kit | 62 |
| KIT-00976 | Ball Joint Centre Coupling | 64 |
| KIT-00976A | Ball Joint Centre Coupling | 66 |
| KIT-01385 | Rotor Pulley Assembly (Bolt in Hubs) 2010 And On | 68 |
| KIT-01386 | Rear Pulley Assembly (Bolt in Hubs) | 70 |
| KIT-01401 | Safety Decal Kit North America | 72 |
| KIT-01402 | Safety Decal Kit ISO | 74 |
| KIT-01454 | VS Drive Cam And Bearing Kit, All Years | 76 |
| KIT-19006 | Skid Kit | 78 |
| KIT-19010 | Spare Pulley Mounting Kit | 80 |
| KIT-19011 | 36' Stacker Kit | 82 |
| KIT-19012 | Gauge Wheel Kit (Upto 2014) | 84 |
| RDS-0003 | RDS Equipment Stepped Drive | 86 |
| RDS-0007 | RDS Equipment Stepped Drive | 86 |

Shelbourne Reynolds Engineering Limited

| ASSY NUMBER: 196570 42 | | | | ASSY DESCRIPTION: EXCEL 42 SHELBOURNE HEADER | | | |
|------------------------|-----------|--|-----|--|-----------|----------------------------------|-----|
| ITEM | PART NO | DESCRIPTION | QTY | ITEM | PART NO | DESCRIPTION | QTY |
| 1 | 196280 42 | FRAME & PARTS ASSY (2014 & ON) | 1 | OR | 196270 42 | CROP DEFLECTOR SUB (MID 2012) | 1 |
| OR | 196263 42 | FRAME & PARTS ASSY (UPTO 2014) | 1 | OR | 196256 42 | CROP DEFLECTOR SUB (UPTO 2012) | 1 |
| 2 | 196276 42 | AUGER ASSY (2014-2017) | 1 | 11 | 196264 01 | EMBLEM & GUARD SUB | 1 |
| OR | 196275 42 | AUGER ASSY (2013 ONLY) | 1 | 12 | RDS-0007 | HEADER MON' KIT | 1 |
| OR | 196259 42 | AUGER ASSY (UPTO 2013) | 1 | 13 | RDS-0002 | COMBINE MON' KIT (VS DRIVE) | 1 |
| 3 | 196253 04 | STRIPPING ROTOR ASSY 4.2m LH | 1 | OR | RDS-0003 | COMBINE MON' KIT (STEP DRIVE) | 1 |
| 4 | 196255 04 | STRIPPING ROTOR ASSY 4.2m CTR | 1 | 14 | 196265 01 | DIVIDER SUB | 1 |
| 5 | 196254 04 | STRIPPING ROTOR ASSY 4.2m RH | 1 | 15 | 196143 42 | HEADER LIGHTS SUB | 1 |
| 6 | 196258 01 | ROTOR MOUNTING SUB | 1 | 16 | 196261 01 | STEP DRIVE ASSY (XCS) | 1 |
| 7 | 196274 42 | REAR DRV SHAFT SUB (2013 & ON) | 1 | OR | 196262 01 | VARI-SPEED DRIVE ASSY (XCV) | 1 |
| OR | 196268 42 | REAR DRV SHAFT SUB (2012 ONLY) | 1 | 17 | KIT-01401 | SAFETY DECAL KIT (N AMERICA) | 1 |
| OR | 196260 42 | REAR DRV SHAFT SUB (UPTO 2012) | 1 | OR | KIT-01402 | SAFETY DECAL KIT (REST OF WORLD) | 1 |
| 8 | 196193 42 | HYDRAULICS SUB ASSY | 1 | 18 | KIT-19006 | SKID KIT | 1 |
| 9 | 196279 42 | HOOD SUB ASSY (2014 & ON) | 1 | 19 | KIT-19013 | TILTING ADAPTOR PLATE KIT | 1 |
| OR | 196271 42 | HOOD SUB ASSY (LATE 2012 TO TO 2014) | 1 | 20 | KIT-19025 | GAUGE WHEEL KIT (2015-2017) | 1 |
| OR | 196269 42 | HOOD SUB ASSY (UPTO MID 2012) | 1 | OR | KIT-19020 | GAUGE WHEEL KIT (2014 ONLY) | 1 |
| OR | 196257 42 | HOOD SUB ASSY (UPTO 2012) | 1 | OR | KIT-19012 | GAUGE WHEEL KIT (UPTO 2014) | 1 |
| 10 | 196281 42 | CROP DEFLECTOR SUB (2014 & ON) | 1 | | | | |
| OR | 196272 42 | CROP DEFLECTOR SUB (LATE 2012 TO 2014) | 1 | | | | |

Shelbourne Reynolds Engineering Limited



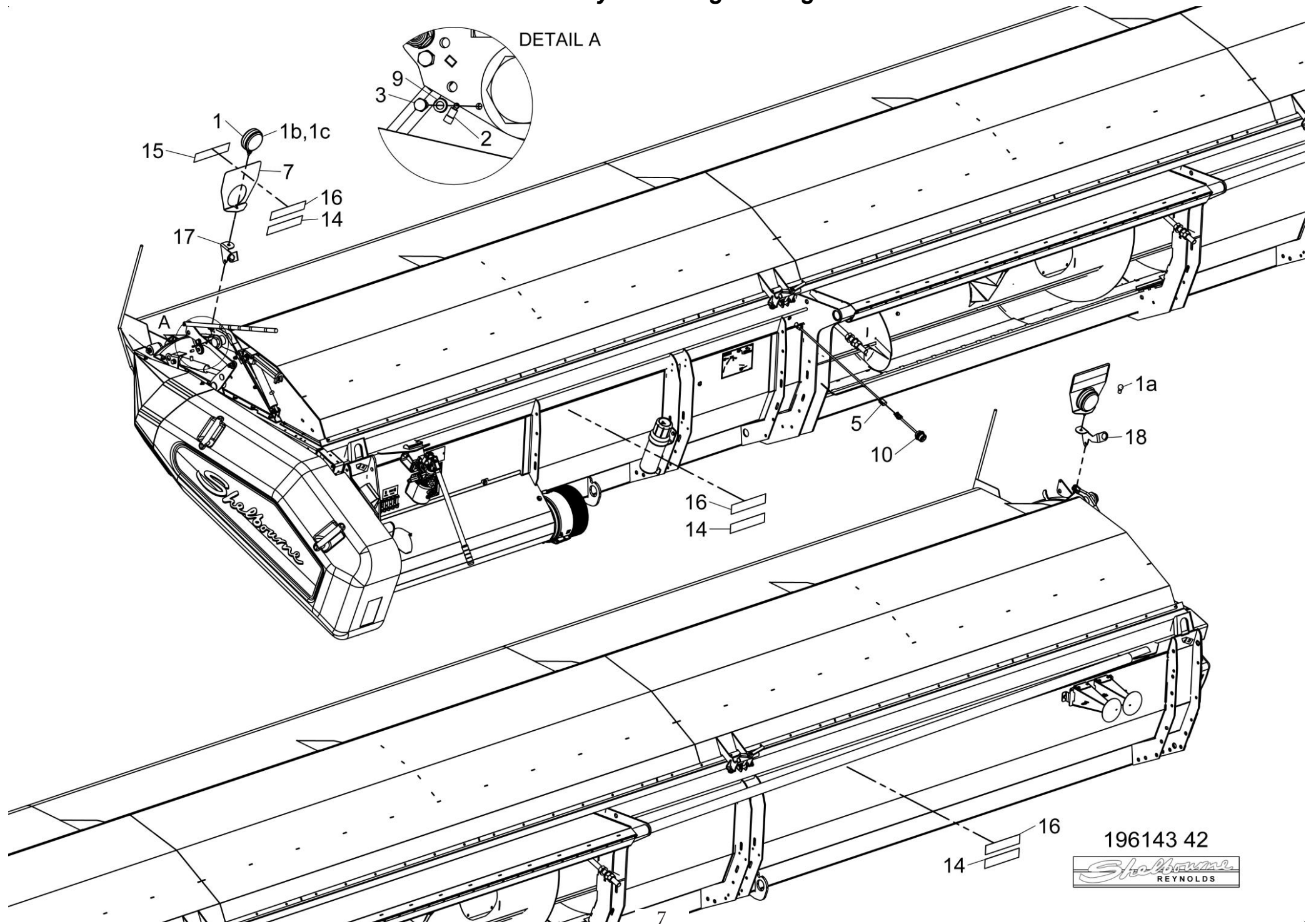
196570 42
196570 36
196570 32



Shelbourne Reynolds Engineering Limited

| ASSY NUMBER: 196143 42 | | | | ASSY DESCRIPTION: | | HEADER LIGHTS SUB EXCEL 36-42 | |
|------------------------|---------------|-------------------------------|-------|-------------------|-----------|-------------------------------|-------|
| ITEM | PART NO | DESCRIPTION | QTY | ITEM | PART NO | DESCRIPTION | QTY |
| 1 | LMP-10505 | INDICATOR LAMP | 2 | 16 | TPE-00251 | REFLECTIVE TAPE - RED | 0.23m |
| 1a | BLB-0015 | SPARE BULB (2013 & ON) | | 16 | TPE-00251 | REFLECTIVE TAPE - RED | 0.23m |
| OR | BLB-0020 | SPARE BULB (2012 - 2013) | | 16 | TPE-00251 | REFLECTIVE TAPE - RED | 0.23m |
| OR | BLB-0075 | SPARE BULB (UPTO 2012) | | 16 | TPE-00251 | REFLECTIVE TAPE - RED | 0.23m |
| 1b | LMP-10009 | SPARE LENS (3 SCREWS, | | 17 | 198958 01 | LH LIGHT MOUNTING BRACKET | 1 |
| 1b | LMP-10006 | SPARE LENS (GROTE, 2012-2013) | | 18 | 198958 02 | RH LIGHT MOUNTING BRACKET | 1 |
| 1b | LMP-10000 | SPARE LENS FRONT (UPTO 2012) | | | | | |
| 1c | LMP-10001 | SPARE LENS REAR (PMG UPTO | | | | | |
| 2 | ETM-00440 | LOOP TERMINAL | 2 | | | | |
| 3 | HSS-0055 | SETSCREW | 3 | | | | |
| OR | SCW-5180 | SELF TAP SCREW | 3 | | | | |
| 4 | ETM-00560 | MALE BULLET TERMINAL | 2 | | | | |
| 5 | 198524 01 | WIRE LOOM & PLUG ASSY | 1 | | | | |
| 6 | | | | | | | |
| 7 | 290739 01 | INDICATOR GUARD (2019 & ON) | 2 | | | | |
| OR | 193567 01 | INDICATOR GUARD (UP TO 2019) | 2 | | | | |
| 8 | | | | | | | |
| 9 | WSH-0006 | PLAIN WASHER | 3 | | | | |
| 10 | 193516 01 | LIGHT PLUG (JD PRE 50 SERIES) | 1 | | | | |
| OR | 195207 01 | LIGHT PLUG (JD 50 SERIES) | 1 | | | | |
| OR | SEE KIT-01727 | LIGHT PLUG (JD 60,70 & S SER) | 1 | | | | |
| OR | 197040 01 | LIGHT PLUG (CASE IH & NH) | 1 | | | | |
| a | ECN-09060 | SPARE LOCK WASHER | | | | | |
| b | ECN-09050 | SPARE PANEL NUT | | | | | |
| OR | 198732 01 | LIGHT PLUG (NH TR) | 1 | | | | |
| OR | SEE KIT-01731 | LIGHT PLUG (AGCO MULTI) | 1 | | | | |
| OR | 291911 01 | LONG LIGHT CABLE (11m) | 1 | | | | |
| OR | 292994 01 | COMBINE LIGHT LOOM (JD X9) | 1 | | | | |
| 11 | | | | | | | |
| 12 | | | | | | | |
| 13 | | | | | | | |
| 14 | TPE-00300 | FLUORESCENT TAPE -RED/ORANGE | 0.23m | | | | |
| 14 | TPE-00300 | FLUORESCENT TAPE -RED/ORANGE | 0.23m | | | | |
| 14 | TPE-00300 | FLUORESCENT TAPE -RED/ORANGE | 0.23m | | | | |
| 14 | TPE-00300 | FLUORESCENT TAPE -RED/ORANGE | 0.23m | | | | |
| 14 | TPE-00300 | FLUORESCENT TAPE -RED/ORANGE | 0.23m | | | | |
| 14 | TPE-00300 | FLUORESCENT TAPE -RED/ORANGE | 0.23m | | | | |
| 14 | TPE-00300 | FLUORESCENT TAPE -RED/ORANGE | 0.23m | | | | |
| 15 | TPE-00250 | REFLECTIVE TAPE - YELLOW | 0.23m | | | | |
| 15 | TPE-00250 | REFLECTIVE TAPE - YELLOW | 0.23m | | | | |

Shelbourne Reynolds Engineering Limited



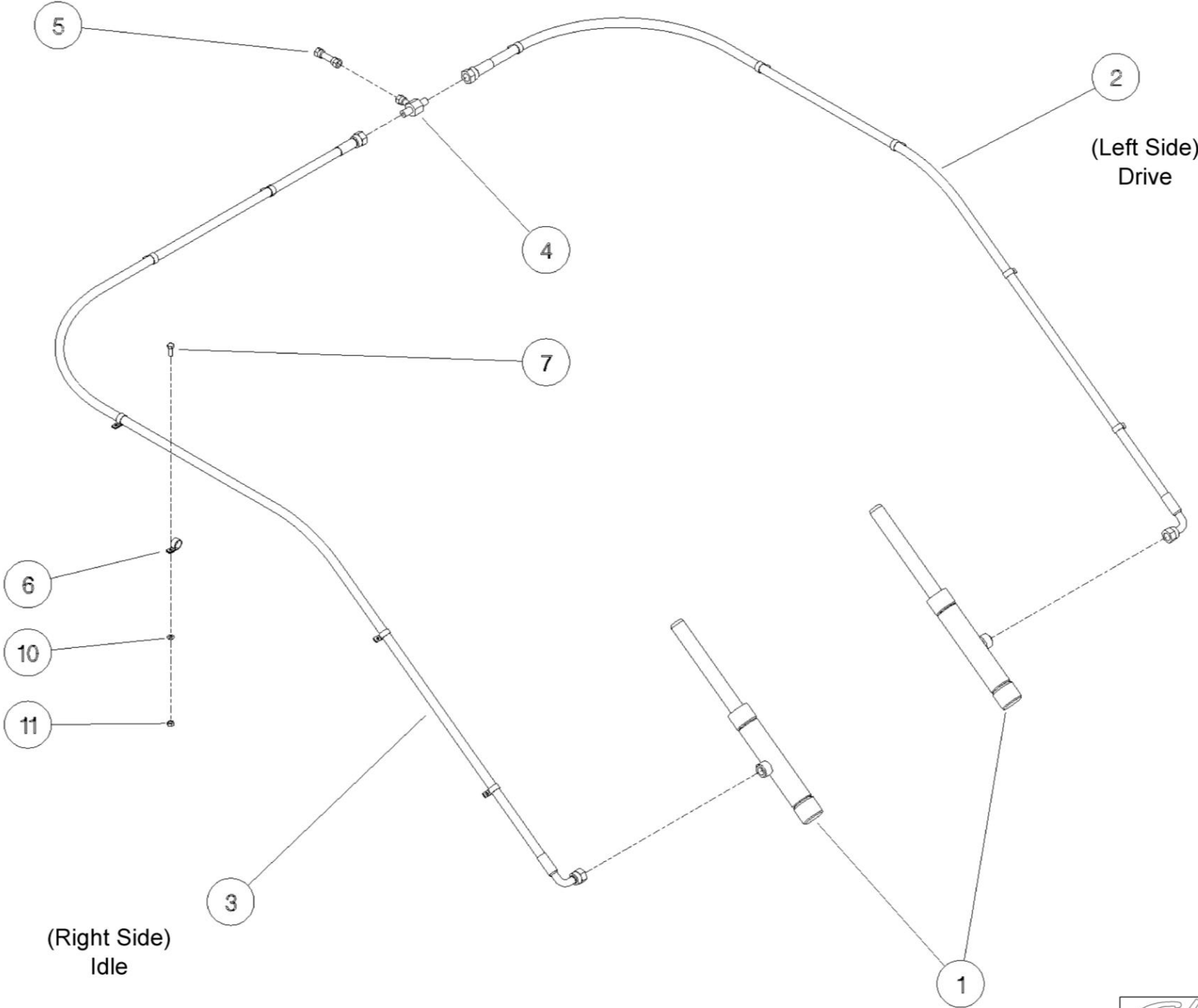
196143 42



Shelbourne Reynolds Engineering Limited

| ASSY NUMBER: 196193 42 | | | | ASSY DESCRIPTION: HYDRAULIC CIRCUIT SUB EXCEL 42 | | | |
|------------------------|-----------|----------------------|-----|--|---------|-------------|-----|
| ITEM | PART NO | DESCRIPTION | QTY | ITEM | PART NO | DESCRIPTION | QTY |
| 1 | 195075 01 | HYDRAULIC RAM | 2 | | | | |
| 1a | RMSK00030 | SEAL KIT (SPARES) | | | | | |
| 2 | HHBC61810 | HYD HOSE ASSY LH | 1 | | | | |
| 3 | HHBC91710 | HYD HOSE ASSY RH | 1 | | | | |
| 4 | HPPD07100 | HYD TEE FITTING | 1 | | | | |
| 5 | FIT-0213 | HYD BULKHEAD FITTING | 1 | | | | |
| 6 | CLP-01012 | P CLIP | 5 | | | | |
| 7 | SCW-4960 | BUTTON SKT.HD SCREW | 4 | | | | |
| 8 | | | | | | | |
| 9 | | | | | | | |
| 10 | WSH-0009 | PLAIN WASHER | 4 | | | | |
| 11 | NUT-0260 | NYLOC NUT | 4 | | | | |

Shelbourne Reynolds Engineering Limited

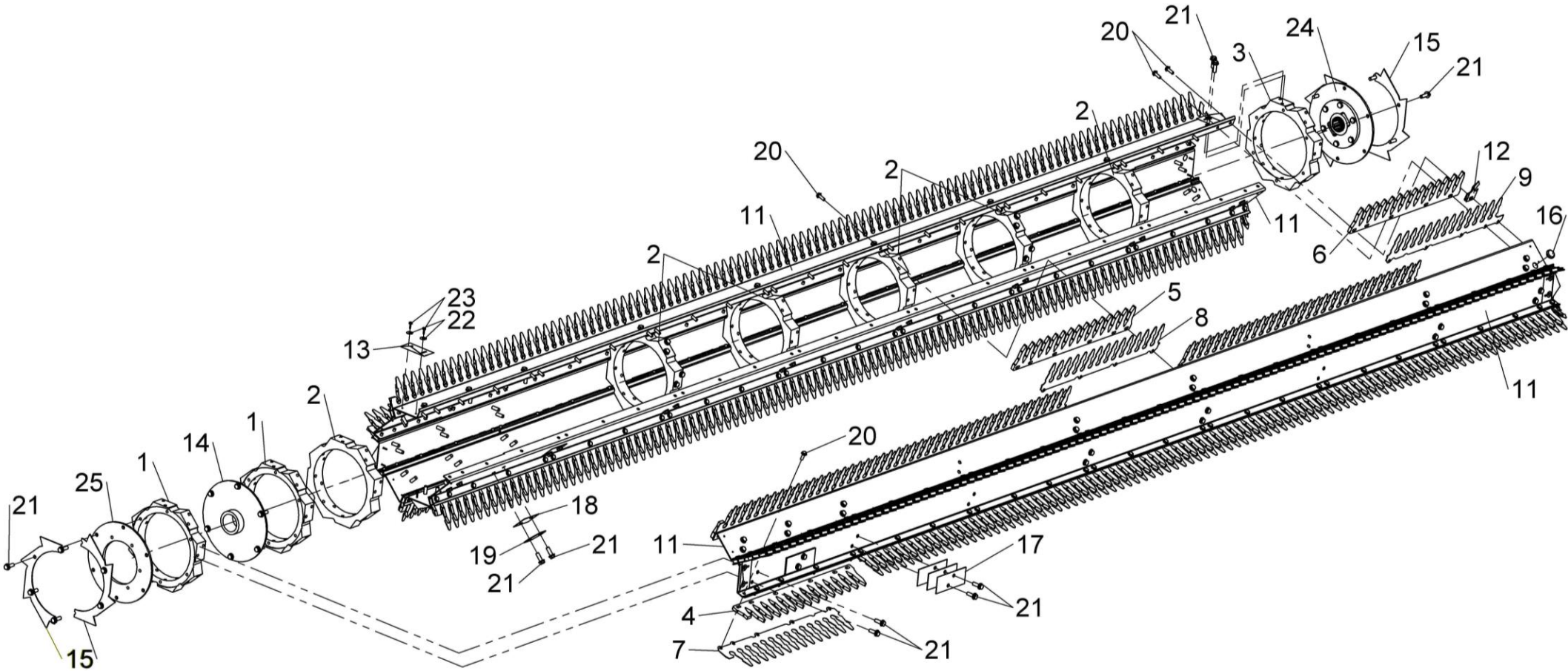


196193



Shelbourne Reynolds Engineering Limited

| ASSY NUMBER: 196253 04 | | | | ASSY DESCRIPTION: 4.2m DRIVE END ROTOR ASSY | | | |
|------------------------|-----------|---|-----|---|---------|---|-----|
| ITEM | PART NO | DESCRIPTION | QTY | ITEM | PART NO | DESCRIPTION | QTY |
| 1 | 192892 01 | OUTER HUB CASTING LH | 2 | | | | |
| 2 | 192892 03 | INNER HUB CASTING | 6 | | | | |
| 3 | 192892 02 | OUTER HUB CASTING RH | 1 | | | | |
| 4 | 193558 02 | END HOLE ELEMENT | 8 | | | | |
| OR | 193558 01 | FOR SPARES, CUT AND MODIFY STD SUPPORT FINGER | 8 | | | | |
| 5 | 193558 01 | STANDARD ELEMENT | 40 | | | | |
| 6 | 193558 03 | CTR.END HOLE ELEMENT | 8 | | | | |
| OR | 193558 01 | FOR SPARES, CUT AND MODIFY STD SUPPORT FINGER | 8 | | | | |
| 7 | 197719 01 | SEED SAVER FINGER LH END | 8 | | | | |
| 8 | 197717 01 | SEED SAVER FINGER CTR | 40 | | | | |
| 9 | 197718 02 | SEED SAVER FINGER LH CTR | 8 | | | | |
| 10 | | | | | | | |
| 11 | 199111 01 | ROTOR PANEL LH 4.2m | 8 | | | | |
| OR | 199111 04 | SPARES COMMON 4.2m ROTOR PANEL | | | NOTE | 1 x ITEM 11 TO HAVE HOLE KNOCKED OUT FOR GREASER | |
| 12 | 194109 01 | CENTER FINGER LH | 8 | | | | |
| 13 | 192679 01 | ANTI-WRAP PLATE | 8 | | | | |
| 14 | 197114 01 | ROTOR DRIVE DISC W/A | 1 | | NOTE | ITEMS 7 AND 9 ARE CORRECT PARTS WHEN FINGERS SET WITH FLANGES UP - IE AGGRESSIVE. USE 197719 02 & 197718 01 WHEN FLANGES ARE REQUIRED DOWN -IE NON-AGGRESSIVE. | |
| 15 | 192959 01 | OUTER CLAMP RING | 4 | | | | |
| 16 | BPG-00200 | PLASTIC BODY PLUG | 1 | | | | |
| 17 | 193118 01 | BALANCE WEIGHT (100g) | A/R | | | | |
| 18 | 193118 02 | BALANCE WEIGHT (50g) | A/R | | | | |
| 19 | 193382 01 | BALANCE WEIGHT (25g) | A/R | | | | |
| 20 | HSSF08174 | TENSILOCK SETSCREW | 240 | | | | |
| 21 | HSSG10204 | TENSILOCK SETSCREW | 162 | | | | |
| 22 | WSH-1034 | PENNY WASHER | 16 | | | | |
| 23 | SCW-5180 | SELF TAPPING SCREW | 16 | | | | |
| 24 | KIT-00976 | BALL JOINT CTR COUPLING ASSY | 1 | | | | |
| | | SEE KIT-00976 PAGE FOR PARTS BREAKDOWN | | | | | |
| 25 | 197111 01 | ROTOR DRIVE DISC (2013 & ON) | 1 | | | | |



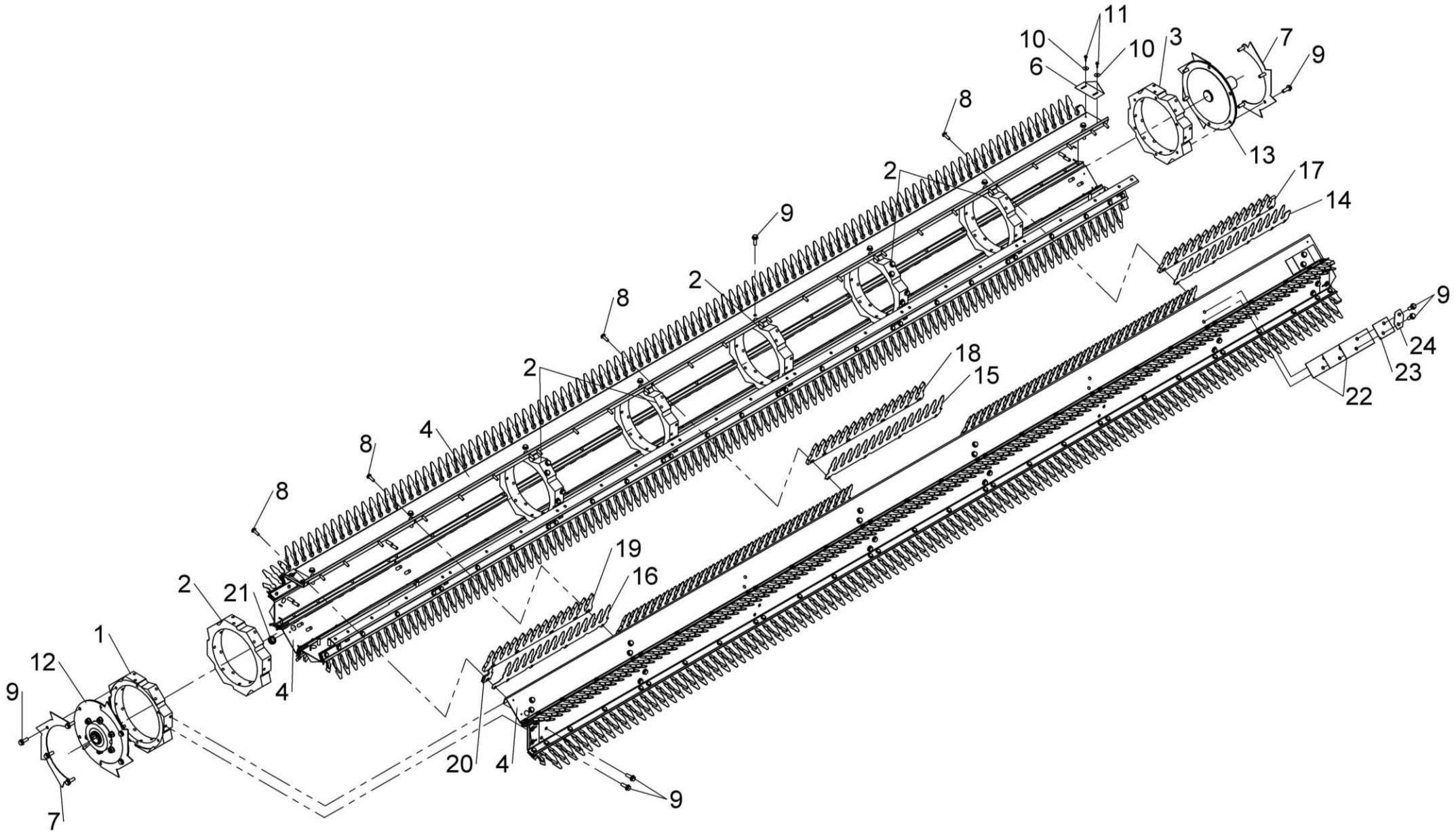
196253 04
196253 03
196253 02



Shelbourne Reynolds Engineering Limited

| ASSY NUMBER: 196254 04 | | | | ASSY DESCRIPTION: 4.2m IDLE END ROTOR ASSY | | | |
|------------------------|------------|---|-----|--|---------|---|-----|
| ITEM | PART NO | DESCRIPTION | QTY | ITEM | PART NO | DESCRIPTION | QTY |
| 1 | 192892 01 | OUTER HUB CASTING LH | 1 | | | | |
| 2 | 192892 03 | INNER HUB CASTING | 6 | | | | |
| 3 | 192892 02 | OUTER HUB CASTING RH | 1 | | | | |
| 4 | 199111 02 | ROTOR PANEL RH 4.2m | 8 | | | | |
| OR | 199111 04 | SPARES COMMON 4.2m ROTOR PANEL | | | NOTE | 1 x ITEM 4 TO HAVE HOLE KNOCKED OUT FOR GREASER | |
| 5 | | | | | | | |
| 6 | 192679 01 | ANTI-WRAP PLATE | 8 | | | | |
| 7 | 192959 01 | OUTER CLAMP RING | 4 | | | | |
| 8 | HSSF08174 | TENSILOCK SETSCREW | 240 | | | | |
| 9 | HSSG10204 | TENSILOCK SETSCREW | 140 | | | | |
| 10 | WSH-1034 | PENNY WASHER | 16 | | | | |
| 11 | SCW-5180 | HEX HD SELF TAP SCREW | 16 | | | | |
| 12 | KIT-00976A | BALL JOINT CTR COUPLING ASSY FOR SPARES SUPPLY KIT-00976 SEE KIT-00976A PAGE FOR PARTS BREAKDOWN | 1 | | NOTE | ITEMS 14 AND 16 ARE CORRECT PARTS WHEN FINGERS SET WITH FLANGES UP - IE AGGRESSIVE. USE 197719 01 & 197718 02 WHEN FLANGES ARE REQUIRED | |
| 13 | 192899 01 | IDLE SHAFT W/A | 1 | | | | |
| 14 | 197719 02 | SEED SAVER FINGER RH END | 8 | | | | |
| 15 | 197717 01 | SEED SAVER FINGER CTR | 40 | | | | |
| 16 | 197718 01 | SEED SAVER FINGER RH CTR | 8 | | | | |
| 17 | 193558 02 | END HOLE ELEMENT | 8 | | | | |
| OR | 193558 01 | FOR SPARES, CUT AND MODIFY STD SUPPORT FINGER | 8 | | | | |
| 18 | 193558 01 | STANDARD ELEMENT | 40 | | | | |
| 19 | 193558 03 | CTR.END HOLE ELEMENT | 8 | | | | |
| OR | 193558 01 | FOR SPARES, CUT AND MODIFY STD SUPPORT FINGER | 8 | | | | |
| 20 | 194109 02 | CENTER FINGER RH | 8 | | | | |
| 21 | BPG-00200 | PLASTIC BODY PLUG | 1 | | | | |
| 22 | 193118 01 | BALANCE WEIGHT (100g) | A/R | | | | |
| 23 | 193118 02 | BALANCE WEIGHT (50g) | A/R | | | | |
| 24 | 193382 01 | BALANCE WEIGHT (25g) | A/R | | | | |

Shelbourne Reynolds Engineering Limited

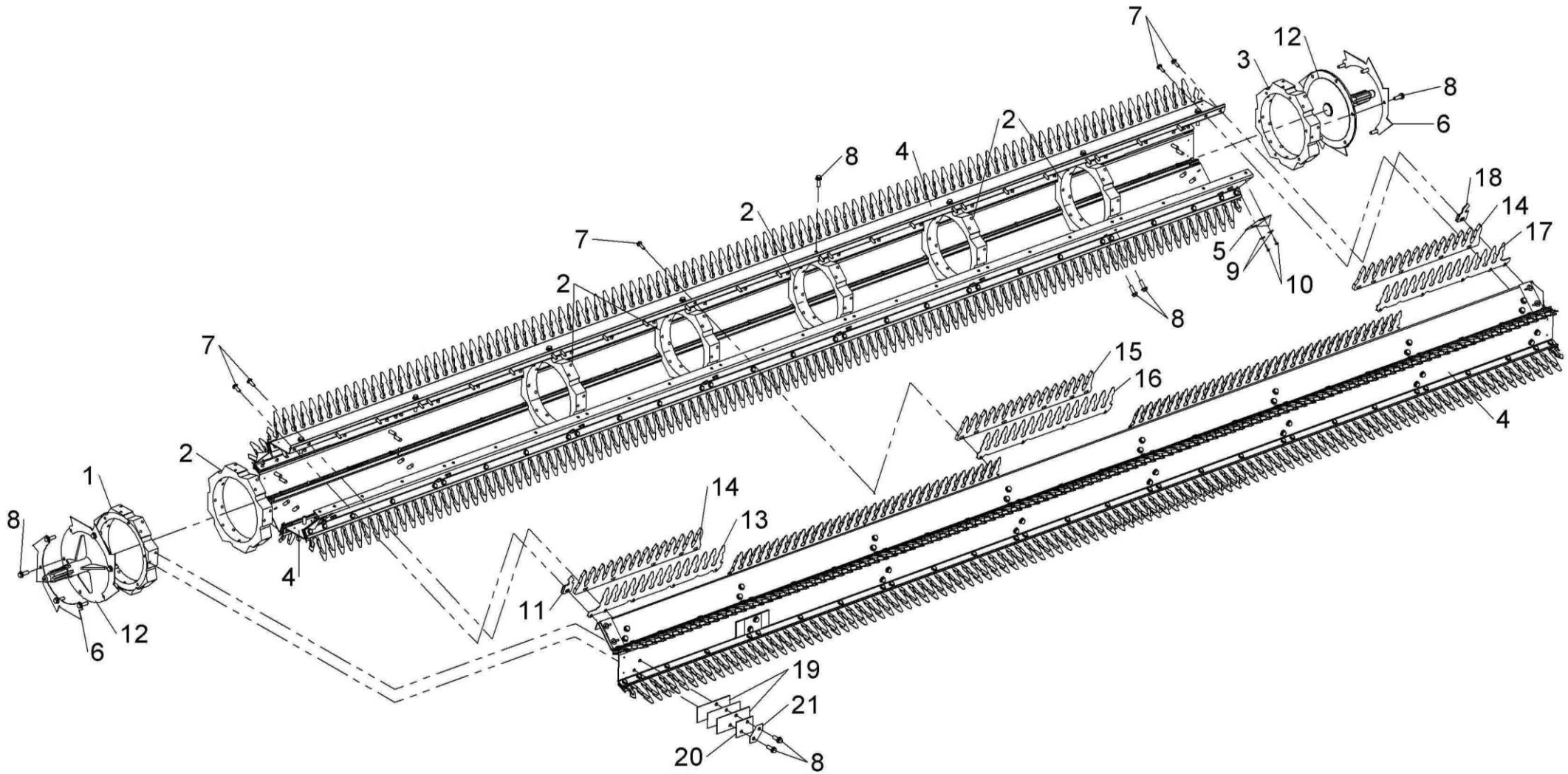


196254 04
196254 03
196254 02



Shelbourne Reynolds Engineering Limited

| ASSY NUMBER: 196255 04 | | | | ASSY DESCRIPTION: 4.2m CENTRE ROTOR ASSY | | | |
|------------------------|-----------|--------------------------------|-----|--|---------|-----------------------------|-----|
| ITEM | PART NO | DESCRIPTION | QTY | ITEM | PART NO | DESCRIPTION | QTY |
| 1 | 192892 01 | OUTER HUB CASTING LH | 1 | | | | |
| 2 | 192892 03 | INNER HUB CASTING | 6 | | | | |
| 3 | 192892 02 | OUTER HUB CASTING RH | 1 | | | | |
| 4 | 199111 02 | ROTOR PANEL RH 4.2m | 8 | | | | |
| OR | 199111 04 | SPARES COMMON 4.2m ROTOR PANEL | | | | | |
| 5 | 192679 01 | ANTI-WRAP PLATE | 8 | | | | |
| 6 | 192959 01 | OUTER CLAMP RING | 4 | | | | |
| 7 | HSSF08174 | TENSILOCK SETSCREW | 240 | | | | |
| 8 | HSSG10204 | TENSILOCK SETSCREW | 140 | | | | |
| 9 | WSH-1034 | PENNY WASHER | 16 | | | | |
| 10 | SCW-5180 | HEX HD SELF TAP SCREW | 16 | | | | |
| 11 | 194109 02 | CENTER FINGER ASSY RH | 8 | | | | |
| 12 | 193103 01 | CTR DRIVE SHFT W/A | 2 | | | | |
| 13 | 197718 01 | SEED SAVER FINGER RH CTR | 8 | | NOTE | ITEMS 13 AND 17 ARE CORRECT | |
| 14 | 193558 03 | CTR.END HOLE ELEMENT | 16 | | | PARTS WHEN FINGERS SET WITH | |
| OR | 193558 01 | FOR SPARES, CUT AND MODIFY STD | 16 | | | FLANGES UP - IE AGGRESSIVE. | |
| | | SUPPORT FINGER | | | | INTERCHANGE ITEMS 13 & 17 | |
| 15 | 193558 01 | STANDARD ELEMENT | 40 | | | WHEN FLANGES ARE REQUIRED | |
| 16 | 197717 01 | SEED SAVER FINGER CTR | 40 | | | DOWN -IE NON-AGGRESSIVE. | |
| 17 | 197718 02 | SEED SAVER FINGER LH CTR | 8 | | | | |
| 18 | 194109 01 | CENTER FINGER ASSY LH | 8 | | | | |
| 19 | 193118 01 | BALANCE WEIGHT (100g) | A/R | | | | |
| 20 | 193118 02 | BALANCE WEIGHT (50g) | A/R | | | | |
| 21 | 193382 01 | BALANCE WEIGHT (25g) | A/R | | | | |

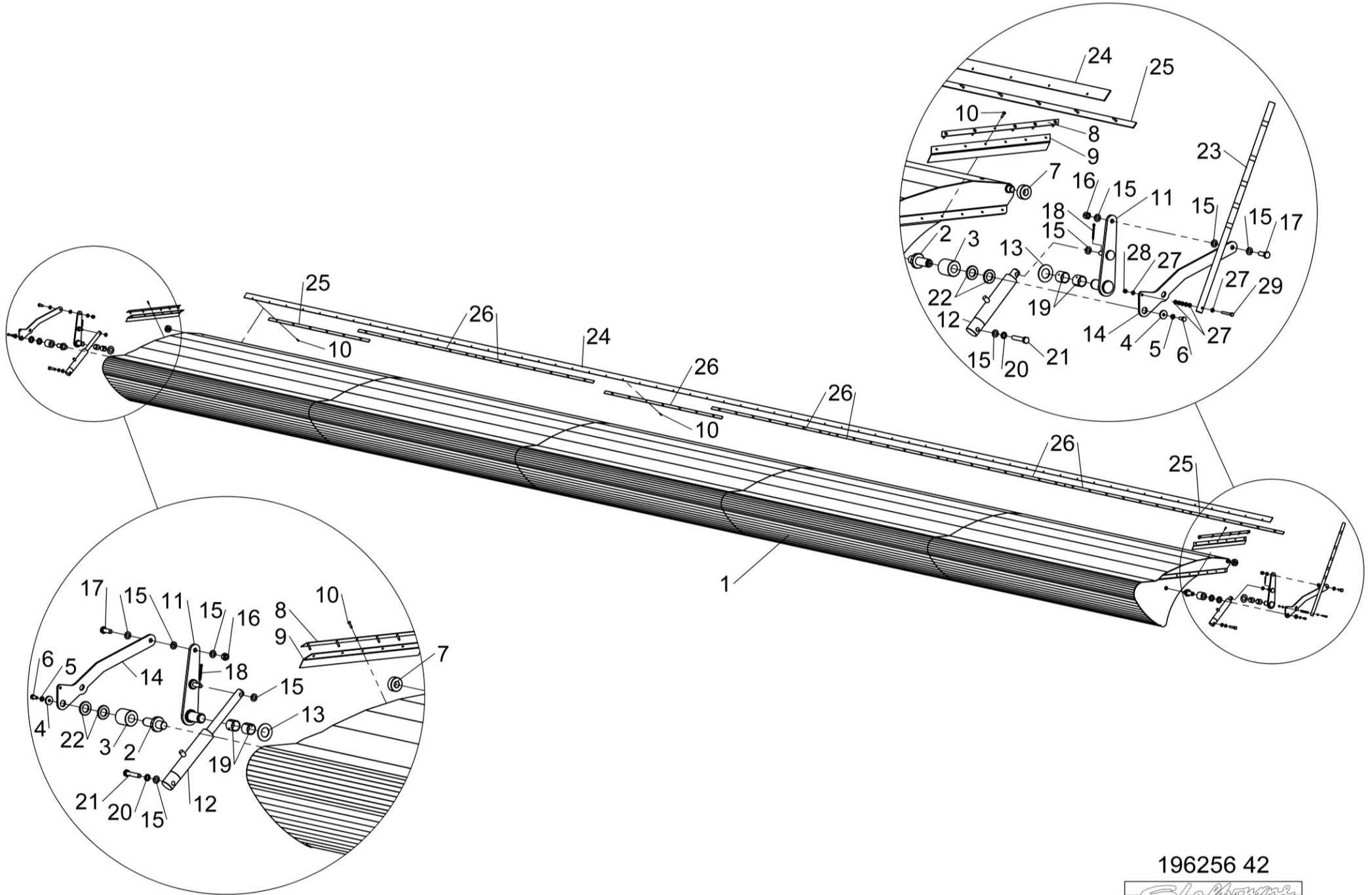


196255 04
196255 03



Shelbourne Reynolds Engineering Limited

| ASSY NUMBER: 196256 42 | | | | ASSY DESCRIPTION: CROP DEFLECTOR SUB ASSY (UPTO 2012) | | | |
|------------------------|-----------|--------------------------------|-----|---|---------|-------------|-----|
| ITEM | PART NO | DESCRIPTION | QTY | ITEM | PART NO | DESCRIPTION | QTY |
| 1 | 198932 01 | NOSE W/A (1 PIECE) (2011 ONLY) | 1 | | | | |
| 2 | 195379 01 | SPINDLE | 2 | | | | |
| 3 | 192688 01 | NYLON ROLLER | 2 | | | | |
| 4 | 190119 08 | WASHER | 2 | | | | |
| 5 | WSH-0058 | SPRING WASHER | 2 | | | | |
| 6 | HSS-0140 | BOLT | 2 | | | | |
| 7 | 191642 01 | NYLON ROLLER | 2 | | | | |
| 8 | 195433 01 | CLAMP STRIP | 2 | | | | |
| 9 | 195432 01 | SEAL STRIP | 2 | | | | |
| 10 | POP-0006 | POP RIVET | 73 | | | | |
| 11 | 198479 01 | LEVER ARM W/A | 2 | | | | |
| 12 | 195075 01 | HYDRAULIC RAM ASSY | 2 | | | | |
| 13 | WSH-1547 | PLAIN WSH FORM B | 2 | | | | |
| 14 | 198480 01 | LEVER ARM | 2 | | | | |
| 15 | WSH-0018 | PLAIN WASHER | 10 | | | | |
| 16 | NUT-0269 | NYLOC NUT | 2 | | | | |
| 17 | HSS-0241 | BOLT | 2 | | | | |
| 18 | PIN-1150 | SPLIT PIN | 2 | | | | |
| 19 | BSH-3070 | BUSH | 4 | | | | |
| 20 | WSH-0065 | SPRING WASHER | 2 | | | | |
| 21 | HSS-0275 | SET SCREW | 2 | | | | |
| 22 | WSH-0036 | PLAIN WASHER FORM A | 2 | | | | |
| 23 | 192494 01 | INDICATOR ROD | 1 | | | | |
| 24 | 198496 01 | RUBBER SEALING STRIP | 1 | | | | |
| 25 | 198541 01 | CLAMP STRIP | 2 | | | | |
| 26 | 198542 01 | CLAMP STRIP | 7 | | | | |
| 27 | WSH-0009 | PLAIN WASHER FORM A | 7 | | | | |
| 28 | NUT-0260 | NYLOC NUT | 1 | | | | |
| 29 | BLTA06320 | HEX.HEAD BOLT | 1 | | | | |



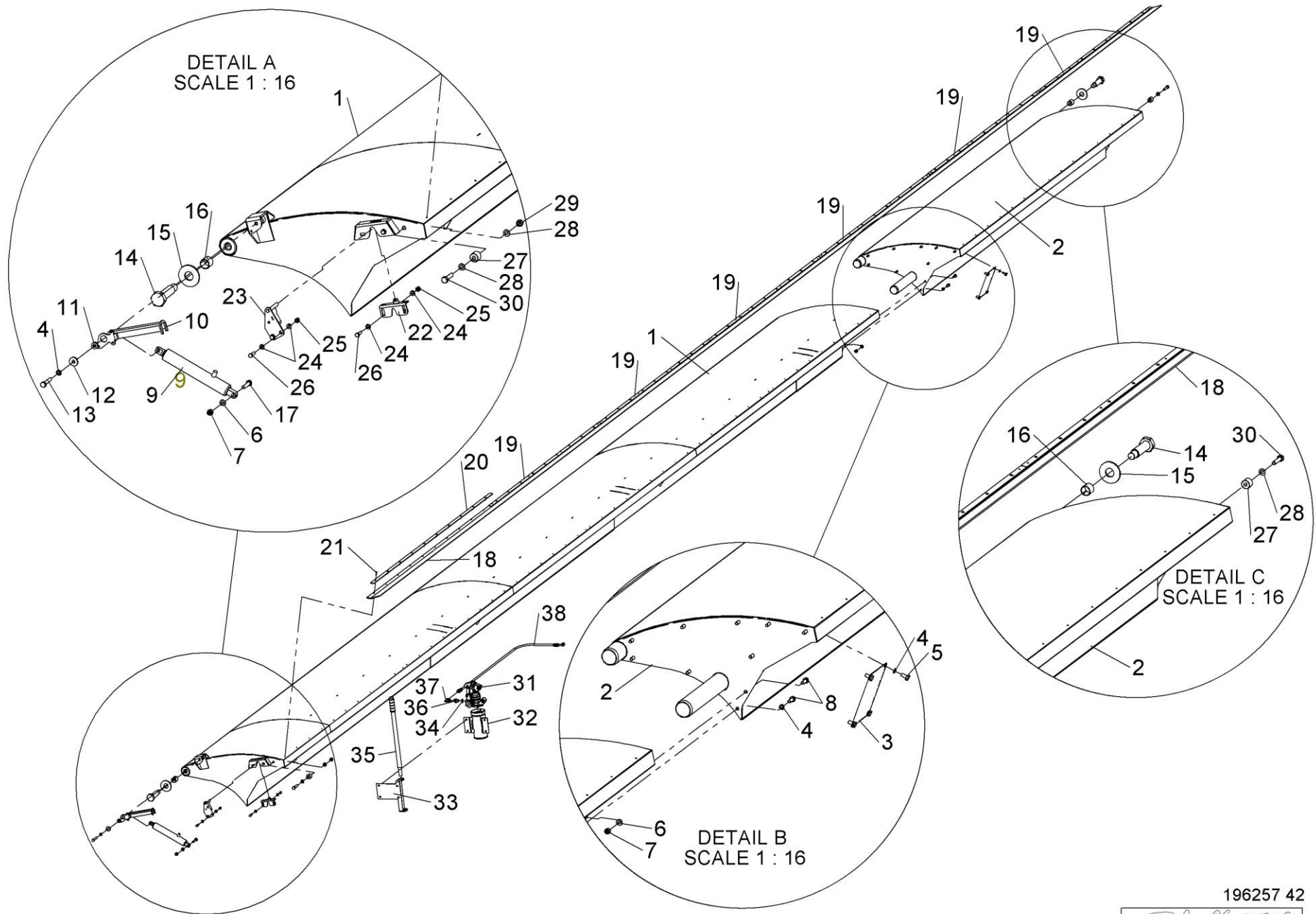
196256 42



Shelbourne Reynolds Engineering Limited

| ASSY NUMBER: 196257 42 | | | | ASSY DESCRIPTION: HOOD SUB ASSY (UPTO 2012) | | | |
|------------------------|-----------|-------------------------------|-----|---|-----------|----------------|-----|
| ITEM | PART NO | DESCRIPTION | QTY | ITEM | PART NO | DESCRIPTION | QTY |
| 1 | 198964 01 | LARGE HOOD W/ASSY (CURVED) | 1 | 38 | HHBC09605 | HYDRAULIC HOSE | 1 |
| OR | 198442 01 | LARGE HOOD W/ASSY | 1 | | | | |
| 2 | 198965 01 | SMALL HOOD W/A (CURVED) | 1 | | | | |
| OR | 198453 01 | SMALL HOOD W/A | 1 | | | | |
| 3 | 198505 01 | INSPECTION HATCH | 1 | | | | |
| 4 | WSH-0061 | SPRING WASHER | 11 | | | | |
| 5 | HSS-0185 | SETSCREW | 4 | | | | |
| 6 | WSH-0015 | PLAIN WASHER | 5 | | | | |
| 7 | NUT-0265 | NYLOC NUT | 5 | | | | |
| 8 | HSS-0191 | SET SCREW | 10 | | | | |
| 9 | 197601 01 | HYDRAULIC CYLINDER ASSY | 1 | | | | |
| 10 | 198311 01 | RAM STOP W/A | 1 | | | | |
| 10a | RMSK00030 | RAM SEAL KIT | | | | | |
| 11 | 190119 79 | WASHER(11*22*6) | 1 | | | | |
| 12 | 190119 75 | WASHER 30x11x4 | 1 | | | | |
| 13 | BLTA10350 | HEX.HEAD BOLT | 1 | | | | |
| 14 | 192812 01 | HOOD PIVOT PIN | 2 | | | | |
| 15 | 192813 01 | LARGE WASHER | 2 | | | | |
| 16 | BSH-3030 | BUSH | 2 | | | | |
| 17 | BLTA10290 | HEX.HEAD BOLT | 1 | | | | |
| 18 | 198538 01 | REAR RUBBER SEAL | 1 | | | | |
| 19 | 198539 01 | CLAMP STRIP | 6 | | | | |
| 20 | 198540 01 | CLAMP STRIP | 1 | | | | |
| 21 | POP-0006 | POP RIVET | 64 | | | | |
| 22 | LTC-00040 | SLAM LATCH | 1 | | | | |
| 23 | 198608 01 | SLAM LATCH PIN BRACKET W/ASSY | 1 | | | | |
| 24 | WSH-0012 | PLAIN WASHER FORM A | 10 | | | | |
| 25 | NUT-0263 | NYLOC NUT | 5 | | | | |
| 26 | HSS-0145 | BOLT | 5 | | | | |
| 27 | 198604 01 | NYLON BUSH | 2 | | | | |
| 28 | WSH-0018 | PLAIN WASHER | 4 | | | | |
| 29 | NUT-0269 | NUT | 2 | | | | |
| 30 | HSS-0260 | SETSCREW | 2 | | | | |
| 31 | JAC-00226 | HYDRAULIC HAND PUMP | 1 | | | | |
| 32 | JAC-00221 | HYDRAULIC RESERVOIR | 1 | | | | |
| 33 | 198595 01 | HAND PUMP BRACKET | 1 | | | | |
| 34 | WSH-1010 | DOWTY WASHER | 1 | | | | |
| 35 | JAC-00230 | JACK HANDLE | 1 | | | | |
| 36 | HAPAA0305 | M/M ADAPTOR | 1 | | | | |
| 37 | HALAA0303 | 90 DEG ELBOW | 1 | | | | |

Shelbourne Reynolds Engineering Limited



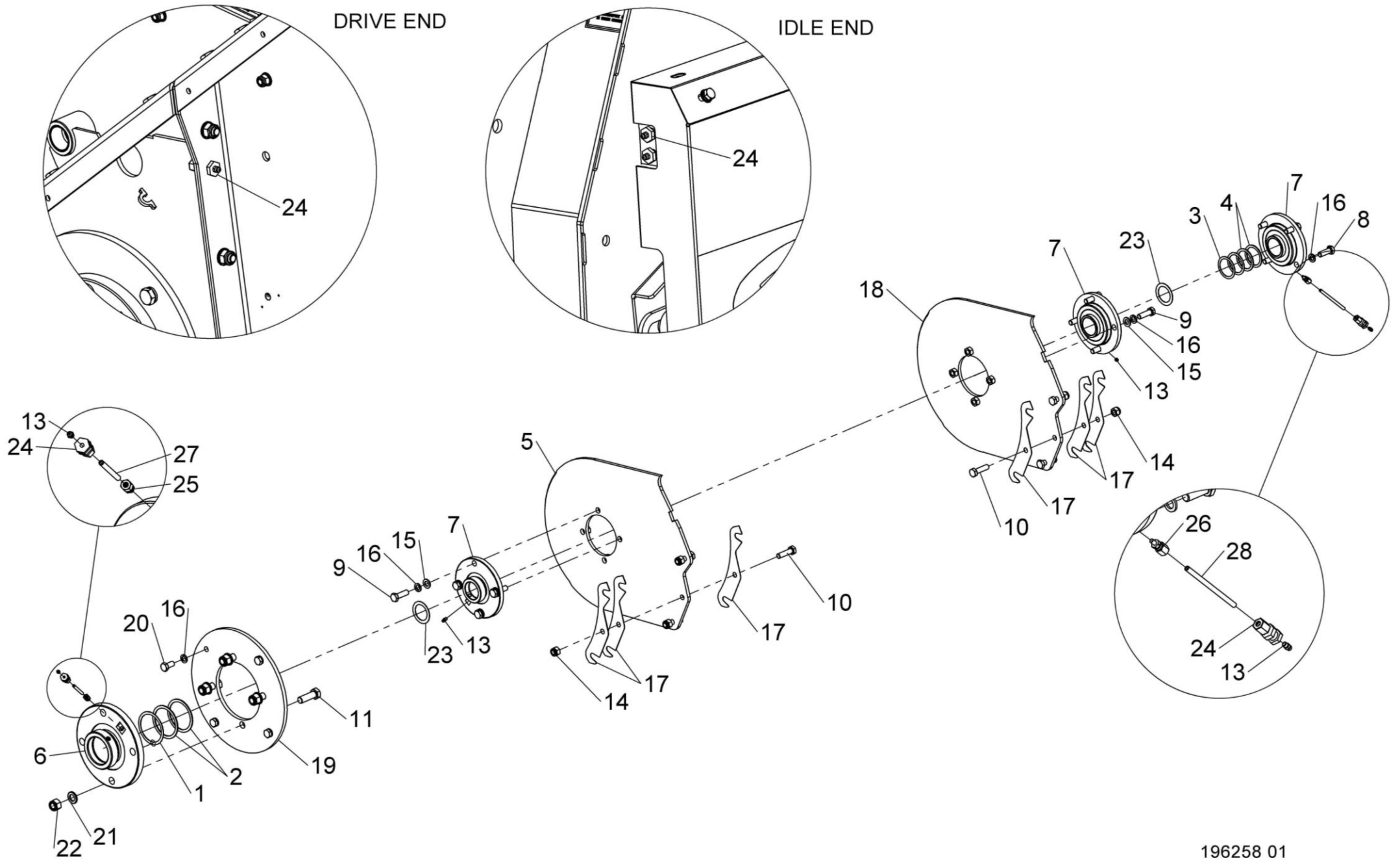
196257 42



Shelbourne Reynolds Engineering Limited

| ASSY NUMBER: 196258 01 | | | | ASSY DESCRIPTION: ROTOR MTG SUB | | | |
|------------------------|-----------|-------------------------------|-------|---------------------------------|---------|-------------|-----|
| ITEM | PART NO | DESCRIPTION | QTY | ITEM | PART NO | DESCRIPTION | QTY |
| 1 | 190548 73 | SHIM (1mm) | 1 | | | | |
| 2 | 190548 74 | SHIM (2mm) | 2 | | | | |
| 3 | 192876 01 | SHIM (1mm) | 2 | | | | |
| 4 | 192876 02 | SHIM (2mm) | 2 | | | | |
| 5 | 199181 01 | LH BEARING MTG PLT XCV/XCS | 1 | | | | |
| OR | 291811 01 | LH BEARING MTG PLT XRS | 1 | | | | |
| OR | 291708 01 | LH BEARING MTG PLT KNOCKOUT | 1 | | | | |
| 6 | BRG-27040 | BEARING | 1 | | | | |
| 7 | BRG-3275 | BEARING | 3 | | | | |
| 8 | HSS-0241 | SETSCREW | 4 | | | | |
| 9 | HSS-0250 | SETSCREW | 8 | | | | |
| 10 | BLTA12290 | HEX HD BOLT | 6 | | | | |
| 11 | HSS-0318 | SETSCREW (2013 & ON) | 4 | | | | |
| OR | HSS-0316 | SETSCREW (UPTO 2013) | 4 | | | | |
| 12 | | | | | | | |
| 13 | NIP-00600 | GREASE NIPPLE | 4 | | | | |
| 14 | NUTA07120 | AERO TIGHT NUT | 6 | | | | |
| 15 | WSH-0018 | PLAIN WASHER | 8 | | | | |
| 16 | WSH-0065 | SPRING WASHER | 16 | | | | |
| 17 | 198951 01 | SHIM | 6 | | | | |
| 18 | 199181 02 | RH BEARING MTG PLT XCV/XCS | 1 | | | | |
| OR | 291811 02 | RH BEARING MTG PLT XRS | 1 | | | | |
| OR | 291708 02 | RH BEARING MTG PLT KNOCKOUT | 1 | | | | |
| 19 | 198122 01 | BEARING MTG PLATE (2013 & ON) | 1 | | | | |
| 20 | HSS-0235 | SETSCREW (2013 & ON) | 4 | | | | |
| 21 | WSH-0070 | SPRING WASHER (2021 & ON) | 4 | | | | |
| OR | WSH-0024 | WASHER (2013-2020) | 4 | | | | |
| 22 | NUT-0271 | NYLOC NUT (UPTO 2021) | 4 | | | | |
| 23 | 194128 03 | SHIM (1mm) | A/R | | | | |
| 24 | LUB-00052 | BULKHEAD (2017 & ON) | 2 | | | | |
| 25 | LUB-00045 | STRAIGHT ADAPT (2017&ON) | 1 | | | | |
| OR | NIP-0001 | GREASE NIPPLE (UPTO2017) | 1 | | | | |
| 26 | LUB-00046 | STRAIGHT ADAPTOR (2017&ON) | 1 | | | | |
| 27 | LUB-00044 | GREASE TUBE (2017 & ON) | 0.35m | | | | |
| 28 | LUB-00044 | GREASE TUBE (2017 & ON) | 1.25m | | | | |

Shelbourne Reynolds Engineering Limited



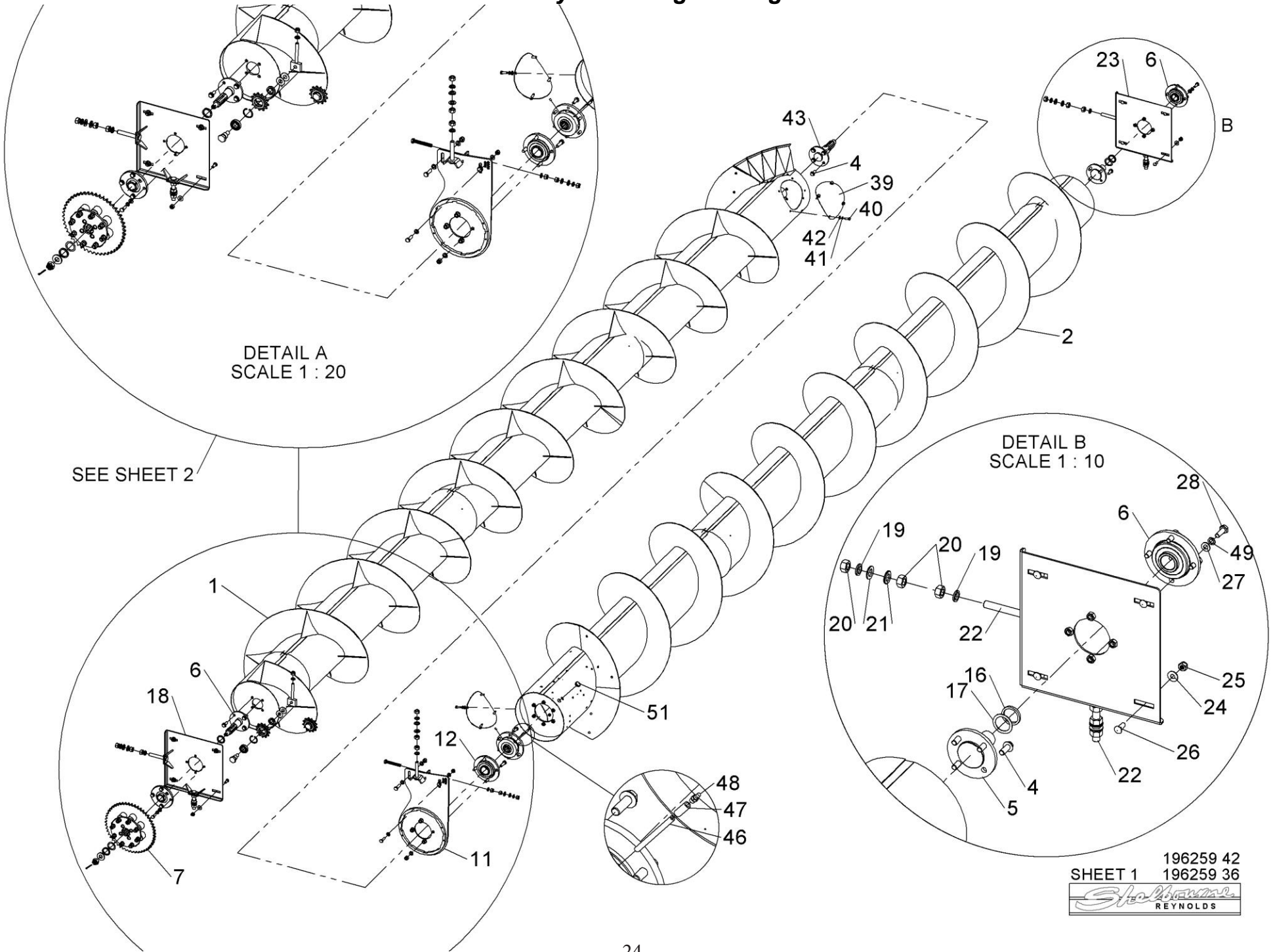
196258 01
196258 02



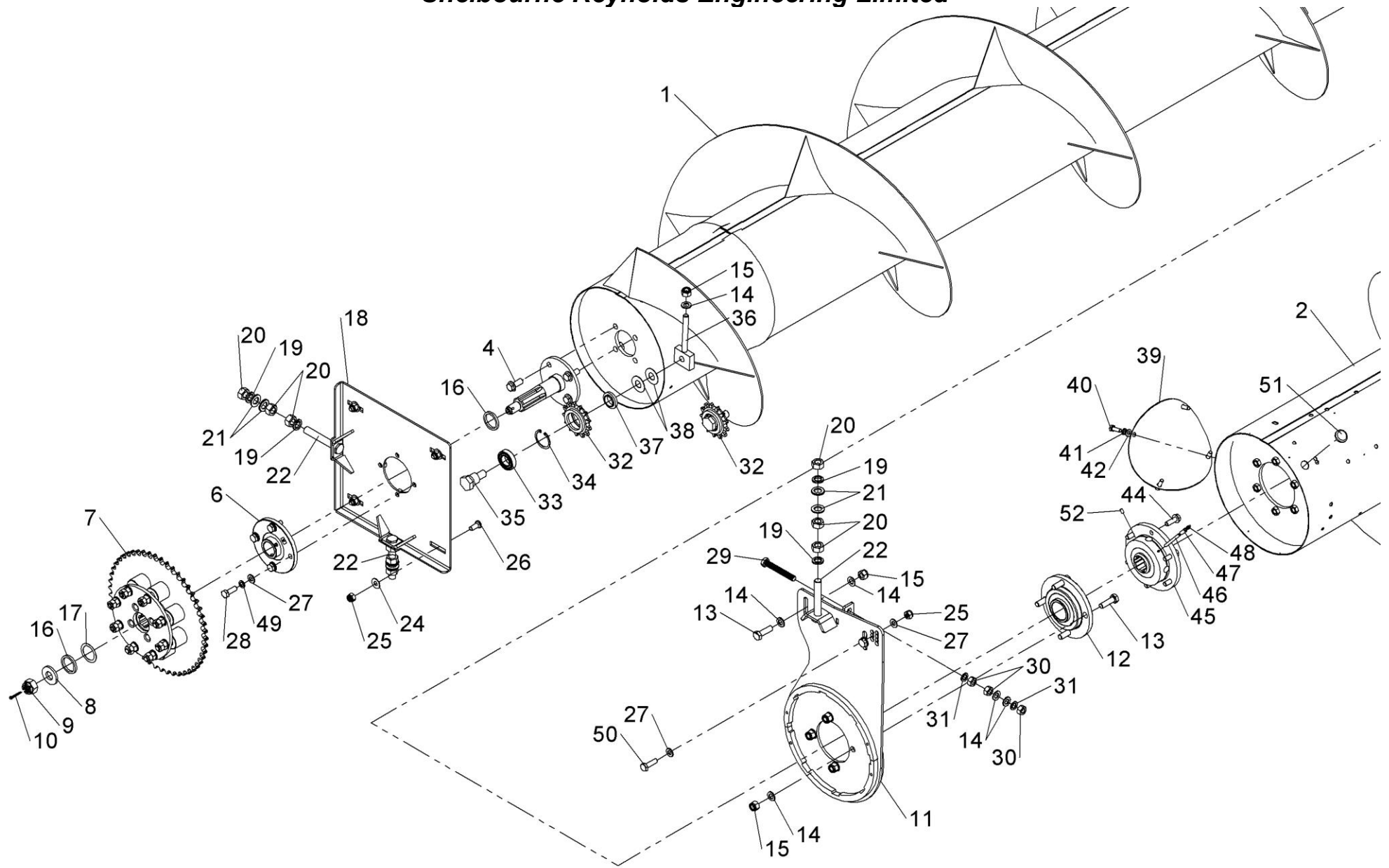
Shelbourne Reynolds Engineering Limited

| ASSY NUMBER: 196259 42 | | | | ASSY DESCRIPTION: AUGER SUB ASSY 42' (UPTO 2013) | | | |
|------------------------|-----------|-----------------------------|-----|--|-----------|-------------------------|-----|
| ITEM | PART NO | DESCRIPTION | QTY | ITEM | PART NO | DESCRIPTION | QTY |
| 1 | 198406 01 | DRIVE END AUGER W/A | 1 | 41 | WSH-0058 | SPRING WASHER | 8 |
| 2 | 198408 01 | IDLE END AUGER W/A | 1 | 42 | WSH-0012 | PLAIN WASHER | 8 |
| 3 | 195848 01 | AUGER DRIVE W/A | 1 | 43 | 198514 01 | AUGER CTR.DRV.SHAFT W/A | 1 |
| 4 | HSSF12204 | SET SCREW | 12 | 44 | HSSG10204 | TENSILOCK BOLT | 6 |
| 5 | 197704 02 | IDLER SHAFT | 1 | 45 | 193114 01 | BALL COUPLING ASSY | 1 |
| 6 | BRG-23560 | CAST SUPPORT | 2 | 46 | 193077 01 | GREASE PIPE DTL | 1 |
| 7 | KIT-00121 | AUGER DRV/SPRKT CLUTCH | 1 | 47 | 193078 01 | GREASE PIPE SLEEVE | 1 |
| 8 | 190119 47 | WASHER | 1 | 48 | NIP-00600 | GREASE NIPPLE | 1 |
| 9 | NUT-0580 | CASTLE NUT | 1 | 49 | WSH-0061 | SPRING WASHER | 8 |
| 10 | PIN-1150 | SPLIT PIN | 1 | 50 | HSS-0198 | BOLT | 1 |
| 11 | 198528 01 | CENTRE AUGER MTG. PLATE W/A | 1 | 51 | BPG-00200 | PLASTIC BODY PLUG | 1 |
| 12 | BRG-24505 | ROUND FLANGED BEARING | 1 | 52 | SCW-4530 | GRUBSCREW | 1 |
| 13 | BLTA12260 | HEX HEAD BOLT | 6 | | | | |
| 14 | WSH-0018 | PLAIN WASHER | 11 | | | | |
| 15 | NUT-0269 | NYLOC NUT | 7 | | | | |
| 16 | 190119 82 | WASHER | 3 | | | | |
| 17 | 190119 95 | WASHER | 2 | | | | |
| 18 | 198492 01 | AUGER MTG PLT W/A DRIVE END | 1 | | | | |
| 19 | WSH-0070 | SPRING WASHER | 10 | | | | |
| 20 | NUT-0180 | PLAIN NUT PLATED | 15 | | | | |
| 21 | WSH-0024 | PLAIN WASHER FORM A | 10 | | | | |
| 22 | HSSA16560 | HEX HEAD SET SCREW | 5 | | | | |
| 23 | 198492 02 | AUGER MTG PLT W/A IDLE END | 1 | | | | |
| 24 | WSHA10101 | PENNY WASHER | 8 | | | | |
| 25 | NUT-0265 | NYLOC NUT | 9 | | | | |
| 26 | BLT-3745 | COACHBOLT | 8 | | | | |
| 27 | WSH-0015 | PLAIN WASHER | 10 | | | | |
| 28 | HSS-0194 | BOLT | 8 | | | | |
| 29 | HSSA12530 | HEX.HEAD SET SCREW | 1 | | | | |
| 30 | NUT-0170 | PLAIN NUT | 3 | | | | |
| 31 | WSH-0065 | SPRING WASHER | 2 | | | | |
| 32 | 131041 01 | JOCKEY SPKT.3/4P.13T. | 2 | | | | |
| 33 | BRG-1995 | SUPPORT | 2 | | | | |
| 34 | CIR-0470 | CIRCLIP INT | 2 | | | | |
| 35 | 190060 11 | IDLER SPINDLE | 2 | | | | |
| 36 | 199063 01 | IDLER ADJ SCREW W/A | 1 | | | | |
| 37 | 191040 01 | SPACER | 2 | | | | |
| 38 | 190548 04 | WASHER 18x40x1 | 4 | | | | |
| 39 | 198511 01 | AUGER COVER PLATE | 2 | | | | |
| 40 | HSS-0145 | BOLT | 8 | | | | |

Shelbourne Reynolds Engineering Limited



Shelbourne Reynolds Engineering Limited

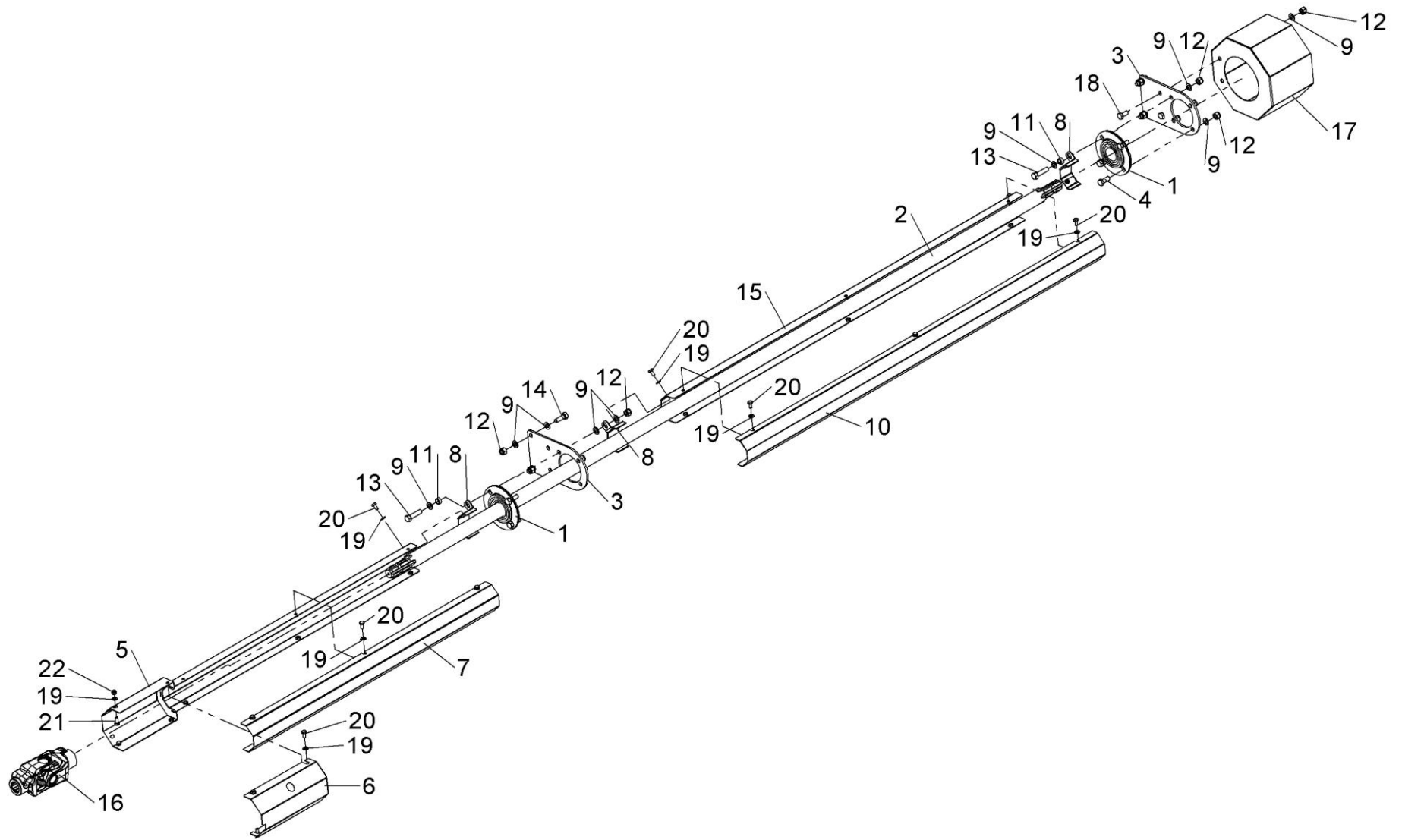


196259 42
SHEET 2 196259 36
Shelbourne
REYNOLDS

Shelbourne Reynolds Engineering Limited

| ASSY NUMBER: 196260 42 | | | | ASSY DESCRIPTION: REAR DRIVE SHAFT SUB 42' (UPTO 2013) | | | |
|------------------------|-------------|---------------------------|-----|--|---------|-------------|-----|
| ITEM | PART NO | DESCRIPTION | QTY | ITEM | PART NO | DESCRIPTION | QTY |
| 1 | BRG-24500 | SUPPORT | 2 | | | | |
| 2 | 192982 16 | REAR DRIVE SHAFT | 1 | | | | |
| 3 | 198621 01 | SHAFT SUPPORT BRACKET | 2 | | | | |
| 4 | HSS-0238 | BOLT | 2 | | | | |
| 5 | 198952 01 | PTO GUARD W/A (2011 & ON) | 1 | | | | |
| OR | 198626 01 | PTO GUARD W/A (2010 ONLY) | 1 | | | | |
| 6 | 198629 01 | PTO GUARD | 1 | | | | |
| 7 | 198876 01 | PTO GUARD (2011 & ON) | 1 | | | | |
| OR | 198630 01 | PTO GUARD (2010 ONLY) | 1 | | | | |
| 8 | 198916 01 | PTO GUARD BRACKET | 3 | | | | |
| 9 | WSH-0018 | PLAIN WASHER | 25 | | | | |
| 10 | 198878 01 | PTO GUARD (2011 & ON) | 1 | | | | |
| OR | 198661 01 | PTO GUARD (2010 ONLY) | 1 | | | | |
| 11 | 190119 46 | WASHER | 4 | | | | |
| 12 | NUT-0269 | NYLOC NUT | 14 | | | | |
| 13 | HSS-0260 | SETSCREW | 4 | | | | |
| 14 | HSS-0241 | BOLT | 6 | | | | |
| 15 | 198953 01 | PTO GUARD W/A (2011 & ON) | 1 | | | | |
| OR | 198662 01 | PTO GUARD W/A (2010 ONLY) | 1 | | | | |
| 16 | PTO-24000WE | PTO COUPLING | 1 | | | | |
| 17 | 198673 01 | PTO END GUARD | 1 | | | | |
| 18 | HSS-0235 | SET SCREW | 2 | | | | |
| 19 | WSH-0012 | PLAIN WASHER | 24 | | | | |
| 20 | HSS-0135 | SETSCREW | 22 | | | | |
| 21 | HSS-0140 | BOLT | 2 | | | | |
| 22 | NUT-0263 | NYLOC NUT | 3 | | | | |

Shelbourne Reynolds Engineering Limited



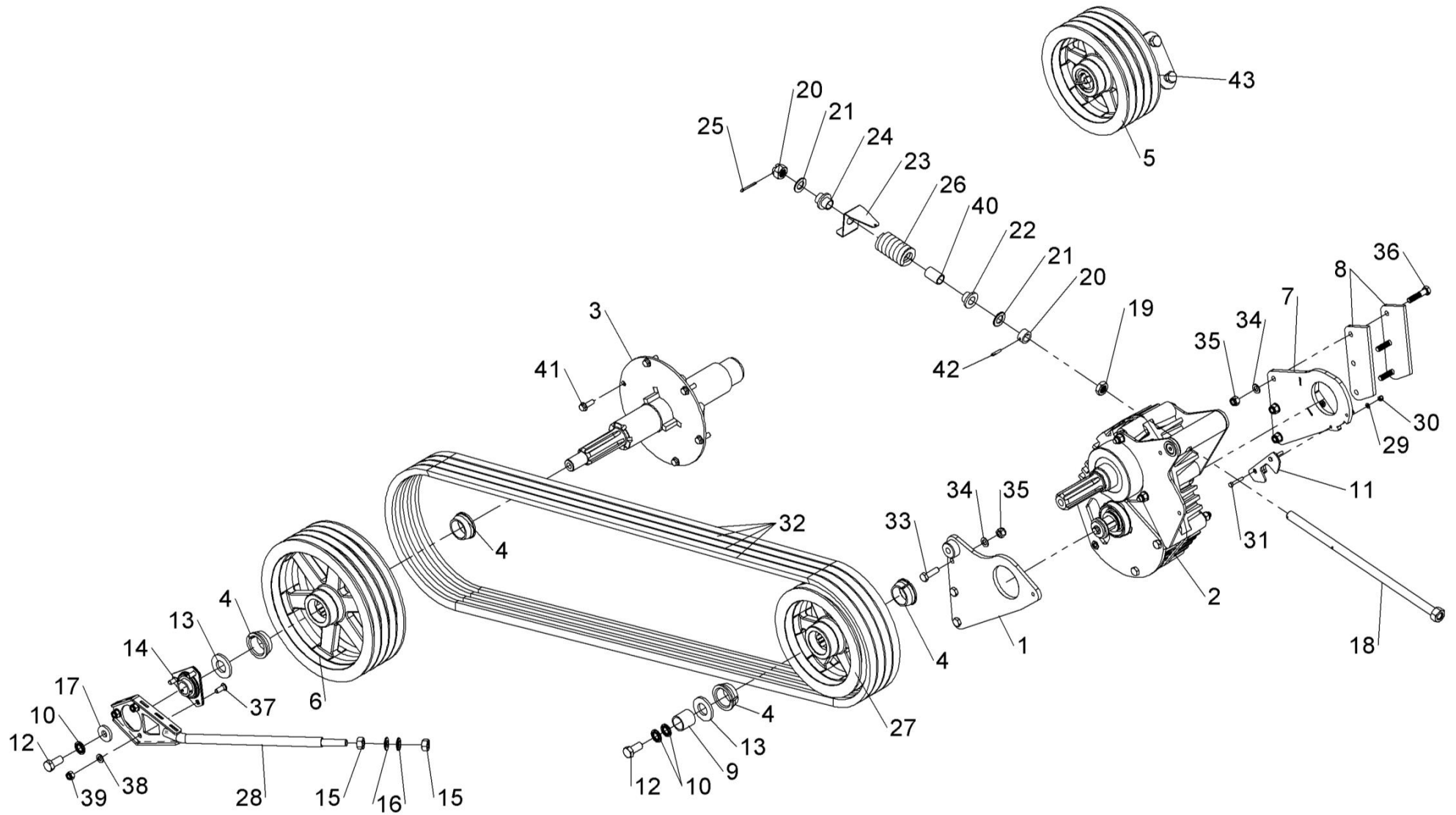
196260 42



Shelbourne Reynolds Engineering Limited

| ASSY NUMBER: 196261 01 | | | | ASSY DESCRIPTION: RSD DRIVE SUB | | | |
|------------------------|-----------|--------------------------------|-----|---------------------------------|-----------|----------------------|-----|
| ITEM | PART NO | DESCRIPTION | QTY | ITEM | PART NO | DESCRIPTION | QTY |
| 1 | 198555 01 | GEARBOX MOUNTING BRACKET W/A | 1 | 34 | WSH-0018 | PLAIN WASHER | 6 |
| 2 | GEA-0059 | INPUT GEARBOX | 1 | 35 | NUT-0269 | NYLOC NUT | 6 |
| 3 | 198138 01 | ROTOR DRIVE SHAFT (2013 & ON) | 1 | 36 | BLTA12350 | HEX.HEAD BOLT | 3 |
| OR | 198549 01 | ROTOR DRIVE SHAFT (UPTO 2013) | 1 | 37 | BLT-3745 | COACHBOLT | 3 |
| 4 | 195935 01 | COLLAR | 4 | 38 | WSH-0015 | PLAIN WASHER | 3 |
| 5 | 195928 01 | RSD PULLEY 334.6mm (13.25") OD | 1 | 39 | NUT-0265 | NYLOC NUT | 3 |
| 6 | 195929 01 | RSD PULLEY 364.6mm (14.5") OD | 1 | 40 | 198943 01 | SPRING SPACER (40mm) | 1 |
| 7 | 199078 01 | GEARBOX MTG BRKT W/A | 1 | 41 | HSSG10204 | HEX HEAD BOLT | 6 |
| 8 | 198548 01 | PACKER PLATE | 2 | 42 | PIN-1620 | ROLL PIN | 1 |
| 9 | 197368 01 | DUMMY SPACER (2013 & ON) | 1 | 43 | KIT-19010 | SPARE PULLEY MTG KIT | 1 |
| OR | 190548 79 | WASHER (UPTO 2013) | 1 | | | | |
| 10 | WSHA30161 | LOCKWASHER | 2 | | | | |
| 11 | 198322 01 | OIL LEVEL VIEWER | 1 | | | | |
| 12 | HSS-0315 | SET SCREW | 2 | | | | |
| 13 | 190548 36 | WASHER (2013 & ON) | 2 | | | | |
| OR | 190548 36 | WASHER (UPTO 2013) | 1 | | | | |
| 14 | BRG-0240 | SUPPORT | 1 | | | | |
| 15 | NUT-0180 | PLAIN NUT PLATED | 2 | | | | |
| 16 | WSH-0024 | PLAIN WASHER FORM A | 2 | | | | |
| 17 | 190119 99 | WASHER (2013 & ON) | 2 | | | | |
| OR | 190119 99 | WASHER (UPTO 2013) | 1 | | | | |
| 18 | 198029 01 | GEARBOX ADJUSTER ROD | 1 | | | | |
| 19 | NUT-0385 | HALF NUT PLATED | 1 | | | | |
| 20 | NUT-0580 | CASTLE NUT | 2 | | | | |
| 21 | WSH-0030 | PLAIN WASHER | 3 | | | | |
| 22 | 198028 01 | REAR SPRING BOSS | 1 | | | | |
| 23 | 198218 01 | SPRING TENSION GUIDE | 1 | | | | |
| 24 | 198027 01 | FRONT SPRING BOSS | 1 | | | | |
| 25 | PIN-1150 | SPLIT PIN | 1 | | | | |
| 26 | SPGE02530 | DIE SPRING | 1 | | | | |
| 27 | 195927 01 | RSD PULLEY 280.6mm (11") OD | 1 | | | | |
| 28 | 198142 06 | TIE BAR ASSY | 1 | | | | |
| 29 | WSH-0009 | PLAIN WASHER FORM A | 2 | | | | |
| 30 | NUT-0260 | NYLOC NUT | 2 | | | | |
| 31 | HSS-0096 | SET SCREW | 2 | | | | |
| 32 | BEL-07355 | BELT (REDPOWER 3) | 4 | | | | |
| | | CANNOT MIX WITH BEL-05355 | | | | | |
| OR | BEL-05355 | BELT (REDPOWER II) | 4 | | | | |
| | | CANNOT MIX WITH BEL-07355 | | | | | |
| 33 | BLTA12260 | HEX HEAD BOLT | 3 | | | | |

Shelbourne Reynolds Engineering Limited



196261 01



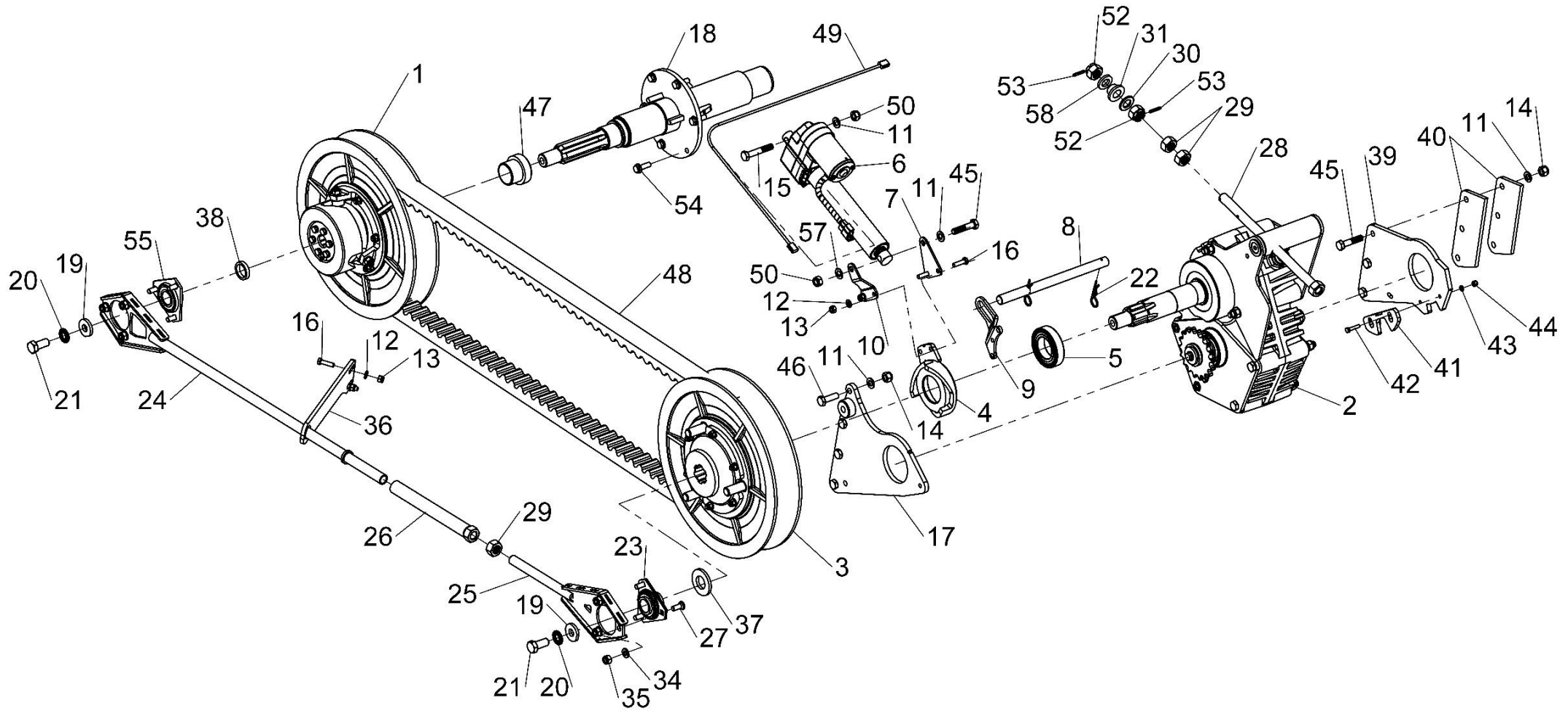
Shelbourne Reynolds Engineering Limited

| ASSY NUMBER: 196262 01 | | | | ASSY DESCRIPTION: VS DRIVE SUB | | | |
|------------------------|----------------|---|-----|--------------------------------|------------|--|-----|
| ITEM | PART NO | DESCRIPTION | QTY | ITEM | PART NO | DESCRIPTION | QTY |
| 1 | KIT-01445 | ROTOR PULLEY ASSY (2022 & ON) SEE KIT-01445 PAGE FOR PARTS BREAKDOWN | | 18 | 291704 01 | DRIVE SHAFT (XCV**203234 & ON) | 1 |
| OR | KIT-01399 | ROTOR PULLEY ASSY (2017-2021) SEE KIT-01399 PAGE FOR PARTS BREAKDOWN | | OR | 198223 01 | DRIVE SHAFT (2013-XCV**203234) SPARES FIT 291704 01 & 198800 03 | 1 |
| OR | KIT-01385 | ROTOR PULLEY ASSY (UPTO 2017) SEE KIT-01385 PAGE FOR PARTS BREAKDOWN | 1 | OR | 198560 01 | DRIVE SHAFT W/A (UPTO 2013) | 1 |
| 2 | GEA-0058 | INPUT GEARBOX ASSY SEE GEA-0058 PAGE FOR PARTS BREAKDOWN | 1 | 19 | 198800 48 | WASHER | 2 |
| OR | GEA-0058CNH | SPARE GEARBOX ASSY 35/34T GEARS | | 20 | WSHA30161 | WASHER | 2 |
| OR | GEA-0058JD/CIH | SPARE GEARBOX ASSY 37/32T GEARS | | 21 | HSS-0315 | SETSCREW | 2 |
| OR | GEA-0058LEX | SPARE GEARBOX ASSY 33/36T GEARS | | 22 | CLP-00103 | R CLIP | 2 |
| 3 | KIT-01386 | REAR PULLEY ASSY SEE KIT-01386 PAGE FOR PARTS BREAKDOWN | 1 | 23 | BRG-0240 | BEARING (2013 & ON) | 1 |
| | | FOR SPARES SUPPLY KIT-01463 | | OR | BRG-0240 | BEARING (UPTO 2013) | 2 |
| | | PULLEY ASSY & ACTUATOR CAM KIT | | 24 | 198236 01 | TIE BAR W/A | 1 |
| | | INCLUDES KIT-01454 | | 25 | 198232 01 | TIE ROD END W/A | 1 |
| 4 | 197120 01 | ACTUATOR CAM ASSY | 1 | 26 | 198235 01 | TIE ROD ADJUSTER W/A | 1 |
| 5 | BRG-15050NC3 | BEARING FOR SPARES SUPPLY KIT-01454 SEE KIT-01454 PAGE FOR PARTS BREAKDOWN | 1 | 27 | BLT-3745 | COACHBOLT | 6 |
| 6 | MOTE11008 | ACTUATOR (2015 & ON) | 1 | 28 | 198029 04 | GEARBOX ADJUSTER ROD | 1 |
| OR | MOTE11006 | ACTUATOR (UPTO 2015) | 1 | 29 | NUT-0185 | PLAIN NUT | 3 |
| 7 | 198556 01 | ACTUATOR CAM PLT | 1 | 30 | WSH-0030 | PLAIN WASHER | 1 |
| 8 | 198558 01 | CAM RETAINING BAR | 1 | 31 | 198028 01 | REAR SPRING BOSS | 1 |
| 9 | 199477 01 | CAM MTG BRKT (2013 & ON) | 1 | 34 | WSH-0015 | PLAIN WASHER | 6 |
| OR | 198559 01 | CAM MTG BRKT (UPTO 2013) | 1 | 35 | NUT-0265 | NYLOC NUT | 7 |
| 10 | 198557 01 | ACTUATOR CAM PLT | 1 | 36 | 290560 01 | TIE ROD RETAINER (2018 & ON) | 1 |
| 11 | WSH-0018 | PLAIN WASHER | 8 | OR | 198237 01 | TIE ROD RETAINER (UP TO 2018) | 1 |
| 12 | WSH-0012 | PLAIN WASHER | 4 | 37 | 190548 36 | WASHER | 1 |
| 13 | NUT-0263 | NYLOC NUT | 4 | 38 | 198800 03 | SPACER 8mm (XCV**203234 & ON) | 1 |
| 14 | NUT-0269 | NYLOC NUT | 6 | OR | 190548 56 | SPACER 3mm (UPTO XCV**203234) | 1 |
| 15 | BLTA12440 | HEX.HEAD BOLT | 1 | 39 | 199450 01 | G BOX MTG BRKT (2013 & ON) | 1 |
| 16 | HSS-0150 | SETSCREW | 4 | OR | 199078 01 | G BOX MTG BRKT W/A (UPTO 2013) | 1 |
| 17 | 198555 01 | GEARBOX MTG BRKT W/A | 1 | 40 | 198548 01 | PACKER PLATE | 2 |
| | | | | 41 | 198322 01 | OIL LEVEL VIEWER | 1 |
| | | | | 42 | HSS-0096 | SETSCREW | 2 |
| | | | | 43 | WSH-0009 | PLAIN WASHER | 2 |
| | | | | 44 | NUT-0260 | NYLOC NUT | 2 |
| | | | | 45 | BLTA12350 | HEX.HEAD BOLT | 4 |
| | | | | 46 | HSS-0250 | SETSCREW | 4 |
| | | | | 47 | 198701 01 | BOSS (UPTO 2013) | 1 |
| | | | | 48 | BEL-27360C | VARI SPEED BLET (2020 & ON) | 1 |
| | | | | OR | BEL-27357 | VARI SPEED BELT (UP TO 2020 (SPARES CAN SUPPLY BEL-27360C)) | 1 |
| | | | | 49 | 195050 07 | LOOM & PLUG ASSY | 1 |
| | | | | 50 | NUT-0270 | NYLOC NUT | 2 |

Shelbourne Reynolds Engineering Limited

| ASSY NUMBER: 196262 01 | | | | ASSY DESCRIPTION: VS DRIVE SUB | | | |
|------------------------|-----------|---------------------|-----|--------------------------------|---------|-------------|-----|
| ITEM | PART NO | DESCRIPTION | QTY | ITEM | PART NO | DESCRIPTION | QTY |
| 51 | | | | | | | |
| 52 | NUT-0580 | CASTLE NUT | 2 | | | | |
| 53 | PIN-1620 | ROLL PIN | 2 | | | | |
| 54 | HSSG10204 | TENSILOCK SETSCREW | 6 | | | | |
| 55 | BRG-23000 | BEARING (2013 & ON) | 1 | | | | |
| 56 | | | | | | | |
| 57 | WSH-0019 | PLAIN WASHER | 1 | | | | |
| 58 | 190119 30 | WASHER | 1 | | | | |

Shelbourne Reynolds Engineering Limited



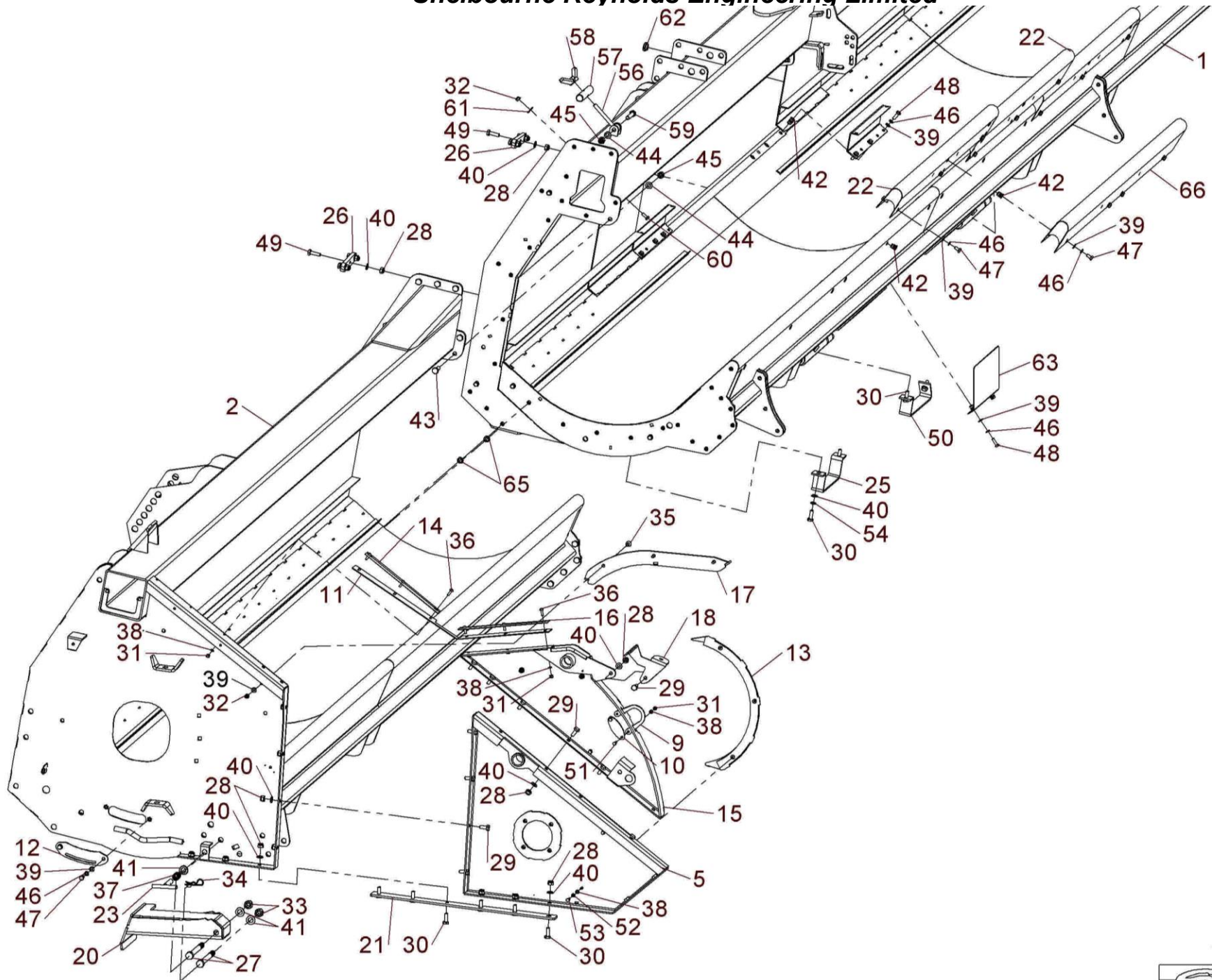
196262 01



Shelbourne Reynolds Engineering Limited

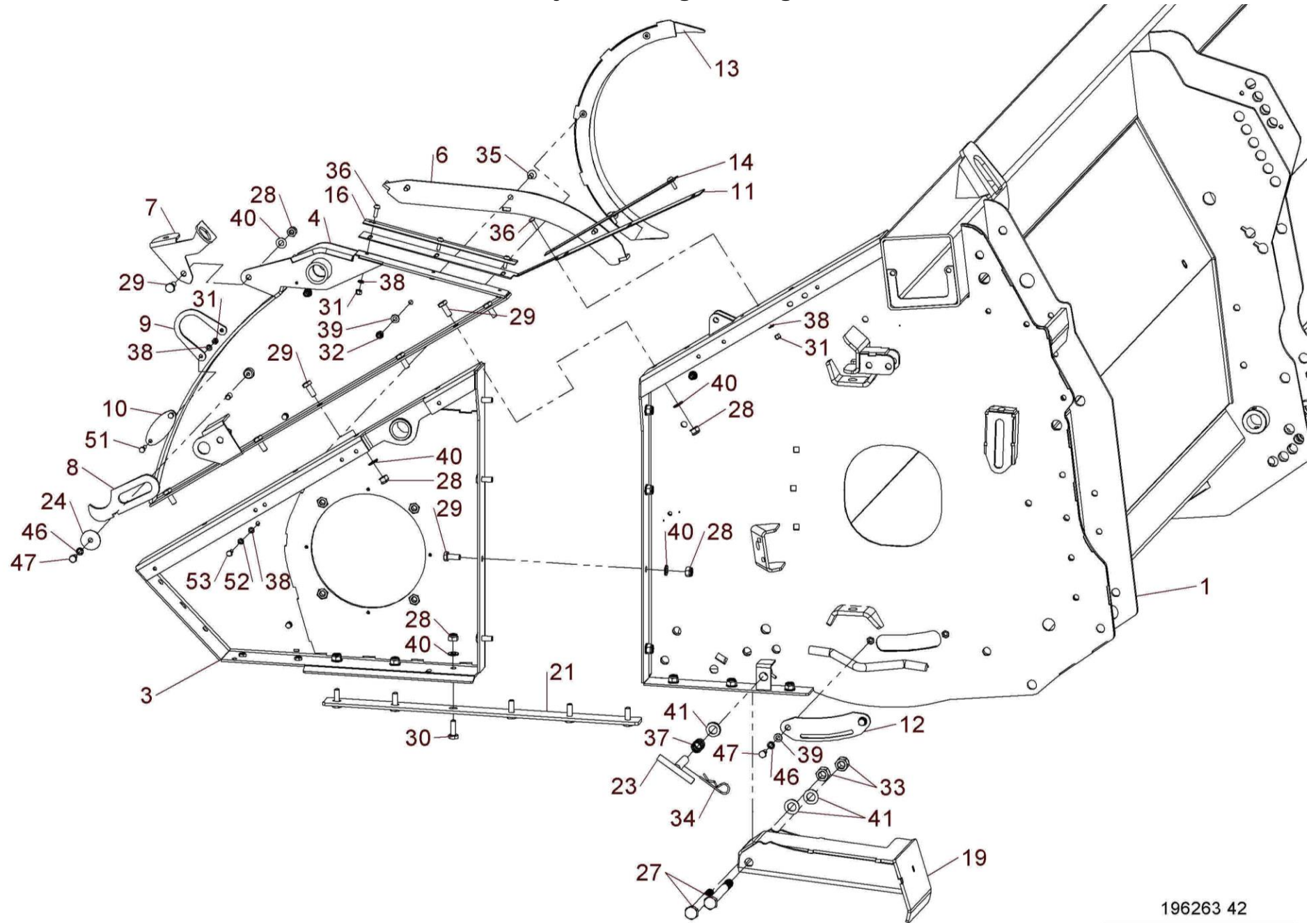
| ASSY NUMBER: 196263 42 | | | | ASSY DESCRIPTION: FRAME & PARTS SUB (EXCEL 42) (UPTO 2014) | | | |
|------------------------|-----------|------------------------------|-----|--|-----------|-----------------|-----|
| ITEM | PART NO | DESCRIPTION | QTY | ITEM | PART NO | DESCRIPTION | QTY |
| 1 | 198332 01 | LH MAINFRAME W/A | 1 | 39 | WSH-0012 | PLAIN WASHER | 50 |
| 2 | 198364 01 | RH MAINFRAME W/A | 1 | 40 | WSH-0015 | PLAIN WASHER | 45 |
| 3 | 198386 01 | ROTOR MOUNT SIDE PLATE W/A | 1 | 41 | WSH-0024 | PLAIN WASHER | 6 |
| 4 | 198483 01 | TOP SIDE PLATE W/A L.H | 1 | 42 | NUTA13080 | NUTSERT | 37 |
| 5 | 198590 01 | ROTOR MOUNT SIDE PLATE W/A | 1 | 43 | HSS-0241 | BOLT | 32 |
| 6 | 198485 01 | NOSE RUNNER W/A | 1 | 44 | WSH-0018 | PLAIN WASHER | 34 |
| 7 | 198958 01 | LIGHT BRACKET LH | 1 | 45 | NUT-0269 | NYLOC NUT | 32 |
| 8 | 192809 01 | NOSE STOP LATCH | 1 | 46 | WSH-0058 | SPRING WASHER | 45 |
| 9 | 197308 01 | HORSE SHOE PLATE | 2 | 47 | HSS-0135 | SETSCREW | 37 |
| 10 | 197309 01 | PLATE | 2 | 48 | HSS-0145 | BOLT | 8 |
| 11 | 194000 01 | RUBBER SEAL | 2 | 49 | HSS-0198 | SETSCREW | 6 |
| 12 | 195844 01 | COVER PLATE | 2 | 50 | 198957 01 | FORK LIFT SHOE | 1 |
| 13 | 193363 01 | ROTOR DEFLECTOR | 2 | 51 | HSS-0086 | SET SCREW | 4 |
| 14 | 199567 01 | SEAL CLAMP LONG | 4 | 52 | WSH-0056 | SPRING WASHER | 5 |
| 15 | 198483 02 | TOP SIDE PLATE W/A R.H | 1 | 53 | HSS-0084 | SETSCREW | 6 |
| 16 | | | | 54 | WSH-0061 | SPRING WASHER | 3 |
| 17 | 198485 02 | NOSE RUNNER W/A | 1 | 55 | 199091 01 | SCRAPER | 2 |
| 18 | 198958 02 | LIGHT BRACKET RH | 1 | 56 | 193248 01 | RETAINING ROD | 2 |
| 19 | 198910 01 | HEADER STAND LH (2011 & ON) | 1 | 57 | 193251 01 | RETAINING BAR | 2 |
| OR | 198582 01 | STAND W/A (UPTO 2010) | 1 | 58 | 193244 01 | HANDLE ASSY | 2 |
| 20 | 198910 02 | HEADER STAND RH (2011 & ON) | 1 | 59 | BLTA12380 | BOLT | 2 |
| OR | 198582 01 | STAND W/A (UPTO 2010) | 1 | 60 | HSS-0140 | SETSCREW | 6 |
| 21 | 198709 01 | SIDE PLATE JOINER STRIP | 2 | 61 | WSH-1038 | PENNY WASHER | 6 |
| 22 | 197701 01 | SPILL PLATE EXT W/A (1199mm) | 2 | 62 | BPG-00200 | BODY PLUG | 7 |
| 23 | 198720 01 | LEG LOCKING PIN | 2 | 63 | 199483 01 | FILL IN PLT W/A | 1 |
| 24 | 190119 05 | WASHER | 1 | 64 | NUTA13087 | NUTSERT | 6 |
| 25 | 195126 01 | FORK LIFT SHOE PLATE | 1 | 65 | WSH-0065 | WASHER | 2 |
| 26 | 198901 01 | STOP PLATE (2011 & ON) | 2 | 66 | 199940 01 | SPILL PLATE W/A | 1 |
| 27 | BLTA16710 | HEX HEAD BOLT | 4 | | | | |
| 28 | NUT-0265 | NYLOC NUT | 41 | | | | |
| 29 | HSS-0191 | SETSCREW | 22 | | | | |
| 30 | HSS-0194 | BOLT | 16 | | | | |
| 31 | NUT-0260 | NYLOC NUT | 16 | | | | |
| 32 | NUT-0263 | NYLOC NUT | 12 | | | | |
| 33 | NUT-0271 | NYLOC NUT | 4 | | | | |
| 34 | CLP-00103 | R CLIP | 2 | | | | |
| 35 | SCW-1735 | CSK SOCKET HD SCW | 6 | | | | |
| 36 | SCW-4960 | BUTT HD SCREW | 12 | | | | |
| 37 | SPGC22015 | COMPRESSION SPRING | 2 | | | | |
| 38 | WSH-0009 | PLAIN WASHER FORM A | 22 | | | | |

Shelbourne Reynolds Engineering Limited



196263 42



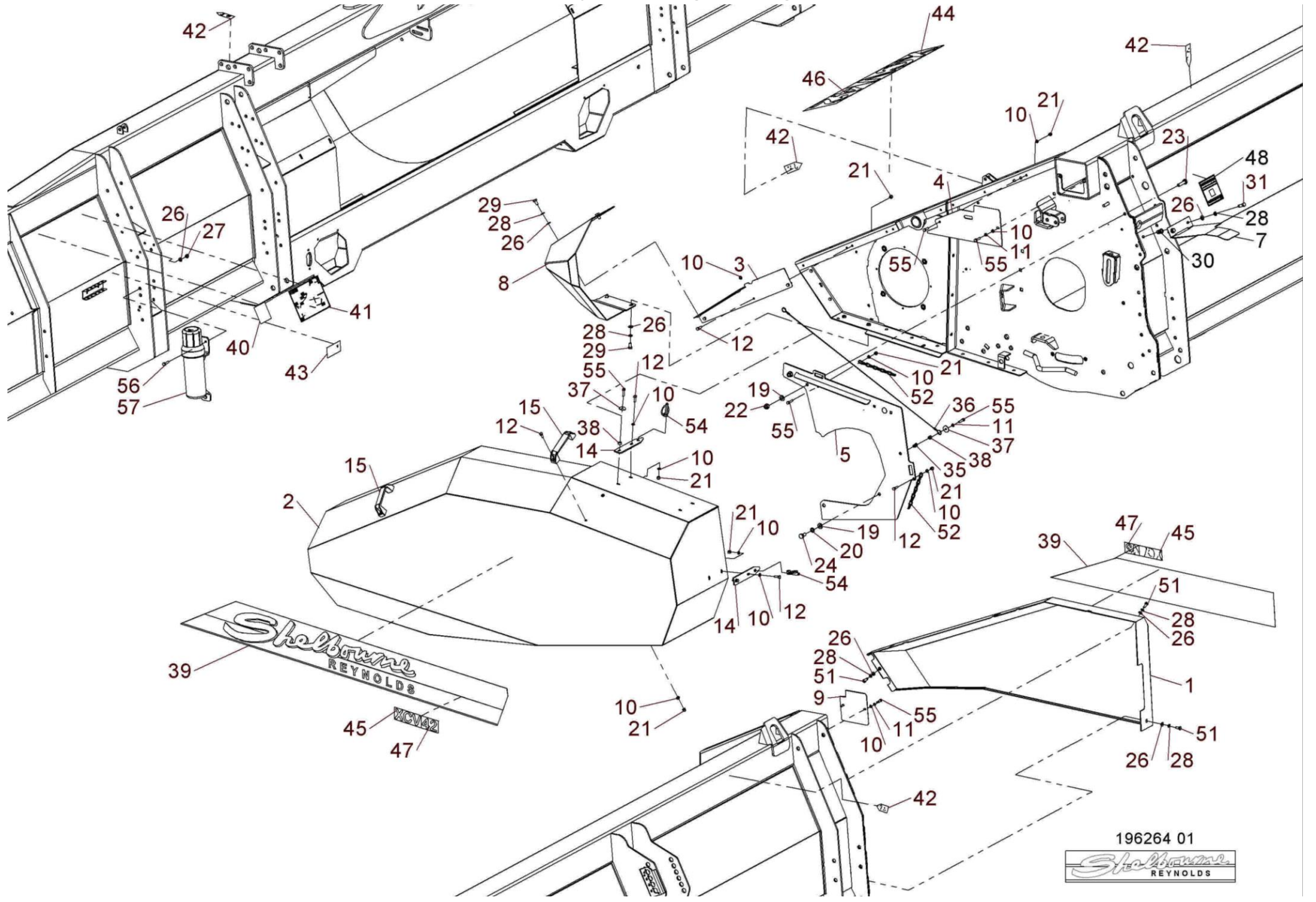


196263 42



Shelbourne Reynolds Engineering Limited

| ASSY NUMBER: 196264 01 | | | | ASSY DESCRIPTION: EMBLEMS & GUARDS SUB EXCEL | | | |
|------------------------|-----------|------------------------------|-----|--|-----------|-------------------------------|------|
| ITEM | PART NO | DESCRIPTION | QTY | ITEM | PART NO | DESCRIPTION | QTY |
| 1 | 194873 01 | RH SIDE GUARD | 1 | 41 | 198105 01 | EMBLEM (HEADER MAINTENANCE) | 1 |
| 2 | 198600 01 | DRIVE GUARD W/A | 1 | 42 | 190702 04 | EMBLEM (SLING POINT) | 4 |
| 3 | 198579 01 | GUARD MOUNTING PLATE W/A | 1 | 43 | 613205 01 | EMBLEM (SHEARBOLT PART No.) | 1 |
| 4 | 198586 01 | GUARD MOUNTING PLATE | 1 | 44 | 199221 01 | EMBLEM (XCV LARGE, CROP DEF.) | 1 |
| 5 | 198599 01 | DRIVE GUARD MOUNTING W/A | 1 | OR | 199222 01 | EMBLEM (XCS LARGE, CROP DEF.) | 1 |
| 6 | | | | 45 | 199221 02 | EMBLEM (XCV SMALL, GUARD) | 2 |
| 7 | 198288 01 | GEARBOX COVER PLT | 1 | OR | 199222 02 | EMBLEM (XCS SMALL, GUARD) | 2 |
| 8 | 198467 01 | DRIVE END FRONT GUARD | 1 | 46 | 199223 01 | EMBLEM (42 LARGE, CROP DEF.) | 1 |
| 9 | 198562 01 | COVER PLATE | 1 | OR | 199223 02 | EMBLEM (36 LARGE, CROP DEF.) | 1 |
| 10 | WSH-0009 | PLAIN WASHER | 19 | OR | 199223 03 | EMBLEM (32 LARGE, CROP DEF.) | 1 |
| 11 | WSH-0056 | SPRING WASHER | 4 | 47 | 199224 01 | EMBLEM (42 SMALL, GUARD) | 2 |
| 12 | HSS-0086 | SETSCREW | 12 | OR | 199224 02 | EMBLEM (36 SMALL, GUARD) | 2 |
| 13 | | | | OR | 199224 03 | EMBLEM (32 SMALL, GUARD) | 2 |
| 14 | 198567 01 | GUARD LOCATING PLATE | 2 | 48 | 290150 01 | EMBLEM (COMBINE SETTINGS) | 1 |
| 15 | HND-0000 | BLACK PLASTIC HANDLE | 2 | 49 | | | |
| 16 | | | | 50 | | | |
| 17 | | | | 51 | HSS-0140 | SETSCREW | 3 |
| 18 | | | | 52 | CHN-0145 | CHAIN | 0.17 |
| 19 | WSH-0015 | PLAIN WASHER | 3 | 52 | CHN-0145 | CHAIN | 0.17 |
| 20 | WSH-0061 | SPRING WASHER | 1 | 53 | | | |
| 21 | NUT-0260 | NYLOC NUT | 14 | 54 | PIN-01950 | LYNCH PIN | 2 |
| 22 | NUT-0265 | NYLOC NUT | 2 | 55 | HSS-0088 | SETSCREW | 6 |
| 23 | HSS-0202 | SETSCREW | 2 | 56 | HSS-0150 | SETSCREW | 3 |
| 24 | HSS-0185 | SETSCREW | 1 | 57 | PCN-00100 | MANUAL CANNISTER | 1 |
| 25 | | | | 58 | TNF-0013 | INSPECTION STICKER | 1 |
| 26 | WSH-0012 | PLAIN WASHER | 12 | | | | |
| 27 | NUT-0263 | NYLOC NUT | 3 | | | | |
| 28 | WSH-0058 | SPRING WASHER | 9 | | | | |
| 29 | HSS-0135 | SETSCREW | 4 | | | | |
| 30 | NUTA13087 | NUTSERT | 2 | | | | |
| 31 | HSS-0145 | BOLT | 2 | | | | |
| 32 | | | | | | | |
| 33 | | | | | | | |
| 34 | | | | | | | |
| 35 | NUTA13060 | NUTSERT | 4 | | | | |
| 36 | 199630 01 | GUARD RETAIN CABLE | 1 | | | | |
| 37 | WSH-1036 | PENNY WASHER | 2 | | | | |
| 38 | 190548 48 | WASHER | 2 | | | | |
| 39 | 198764 01 | EMBLEM (SHELBOURNE REYNOLDS) | 2 | | | | |
| 40 | 197861 01 | EMBLEM (PATENTS) | 1 | | | | |

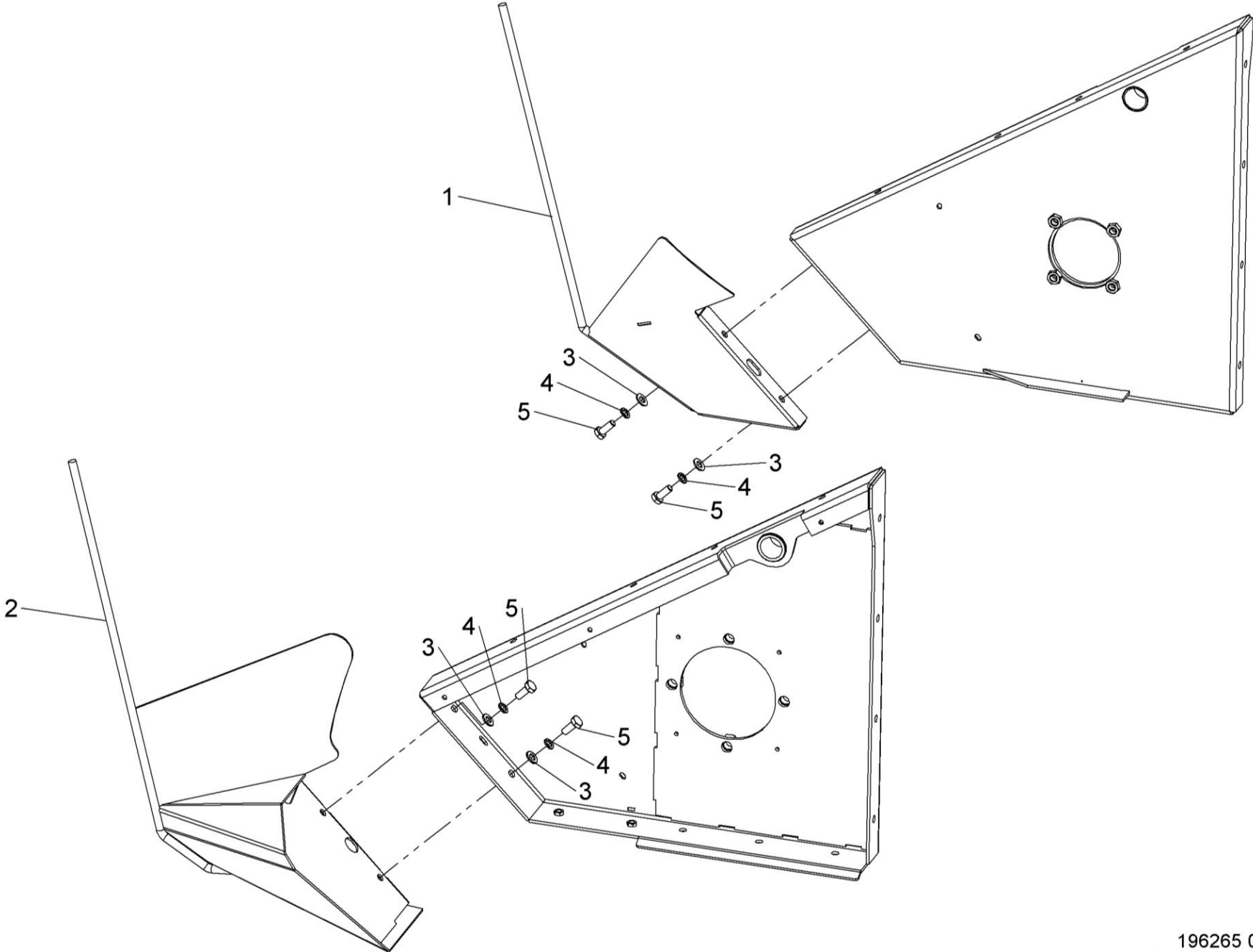


196264 01



Shelbourne Reynolds Engineering Limited

| ASSY NUMBER: 196265 01 | | | | ASSY DESCRIPTION: DIVIDER SUB ASSY | | | |
|------------------------|-----------|-----------------|-----|------------------------------------|---------|-------------|-----|
| ITEM | PART NO | DESCRIPTION | QTY | ITEM | PART NO | DESCRIPTION | QTY |
| 1 | 194501 02 | DIVIDER ASSY RH | 1 | | | | |
| 2 | 198597 01 | L.H DIVIDER W/A | 1 | | | | |
| 3 | WSH-0015 | PLAIN WASHER | 4 | | | | |
| 4 | WSH-0061 | SPRING WASHER | 4 | | | | |
| 5 | HSS-0191 | SET SCREW | 4 | | | | |



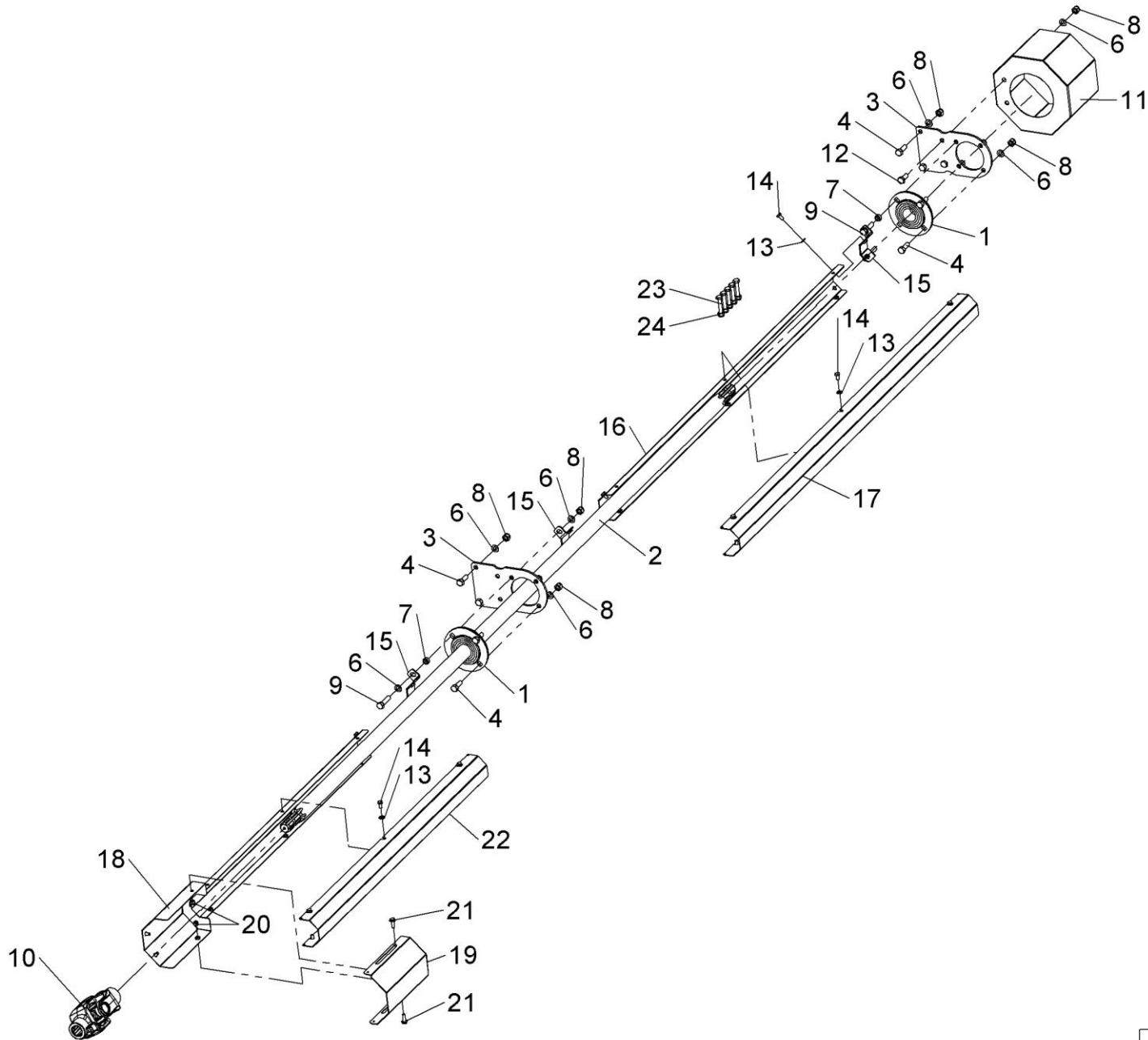
196265 01



Shelbourne Reynolds Engineering Limited

| ASSY NUMBER: 196268 42 | | | | ASSY DESCRIPTION: REAR DRIVE SHAFT SUB 42' (2013 ONLY) | | | |
|------------------------|-------------|-----------------------|-----|--|---------|-------------|-----|
| ITEM | PART NO | DESCRIPTION | QTY | ITEM | PART NO | DESCRIPTION | QTY |
| 1 | BRG-24500 | SUPPORT | 2 | | | | |
| 2 | 192982 16 | REAR DRIVE SHAFT | 1 | | | | |
| 3 | 198621 01 | SHAFT SUPPORT BRACKET | 2 | | | | |
| 4 | HSS-0241 | BOLT | 8 | | | | |
| 5 | | | | | | | |
| 6 | WSH-0018 | PLAIN WASHER | 21 | | | | |
| 7 | 190119 46 | WASHER | 4 | | | | |
| 8 | NUT-0269 | NYLOC NUT | 14 | | | | |
| 9 | HSS-0260 | SETSCREW | 4 | | | | |
| 10 | PTO-24000WE | PTO COUPLING | 1 | | | | |
| 11 | 198673 01 | PTO END GUARD | 1 | | | | |
| 12 | HSS-0238 | BOLT | 2 | | | | |
| 13 | WSH-0012 | PLAIN WASHER FORM A | 20 | | | | |
| 14 | HSS-0135 | SETSCREW | 20 | | | | |
| 15 | 199030 01 | PTO GUARD BRACKET W/A | 3 | | | | |
| 16 | 199137 01 | PTO GUARD W/A | 1 | | | | |
| 17 | 199138 01 | OUTER PTO GUARD | 1 | | | | |
| 18 | 199139 01 | PTO GUARD W/A | 1 | | | | |
| 19 | 199073 01 | SLIDING GUARD | 1 | | | | |
| 20 | NUT-0263 | NYLOC NUT | 2 | | | | |
| 21 | HSSF08174 | HEX HD LOCKBOLT | 2 | | | | |
| 22 | 199141 01 | OUTER PTO GUARD | 1 | | | | |
| 23 | BLTA10384 | SHEARBOLT | 5 | | | | |
| 24 | NUT-0265 | NYLOC NUT | 5 | | | | |

Shelbourne Reynolds Engineering Limited



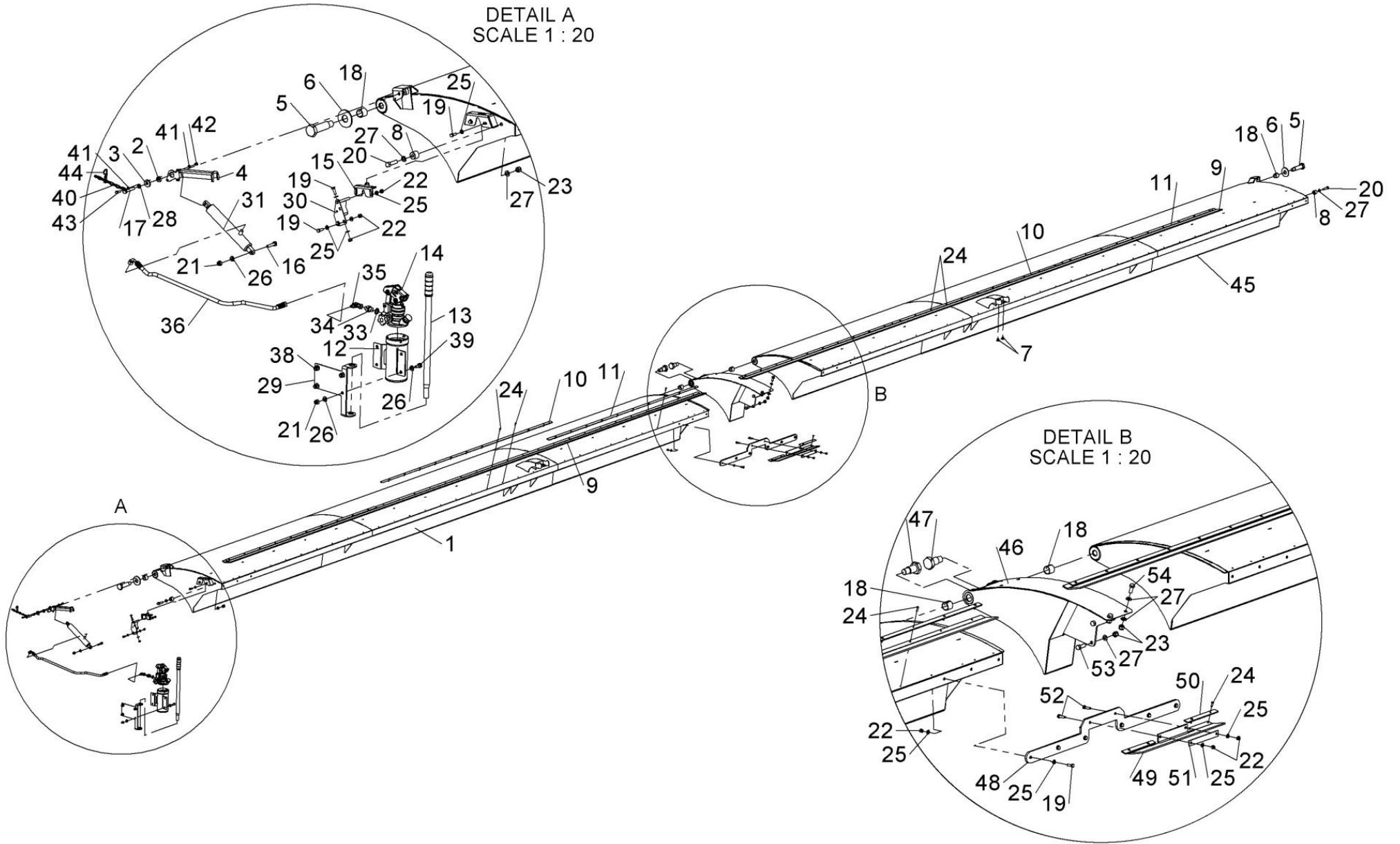
196268 42
196268 36



Shelbourne Reynolds Engineering Limited

| ASSY NUMBER: 196269 42 | | | | ASSY DESCRIPTION: HOOD ASSY EXCEL 42' (EARLY-MID 2012 ONLY) | | | |
|------------------------|-----------|----------------------------|-----|---|-----------|----------------------|------|
| ITEM | PART NO | DESCRIPTION | QTY | ITEM | PART NO | DESCRIPTION | QTY |
| 1 | 199099 01 | 42' HOOD W/ASSY LH | 1 | 40 | CHN-0145 | CHAIN | 0.17 |
| 2 | 190119 79 | WASHER | 1 | 41 | WSH-0009 | PLAIN WASHER FORM A | 2 |
| 3 | 190119 75 | WASHER | 1 | 42 | NUT-0260 | NYLOC NUT | 1 |
| 4 | 198311 01 | RAM STOP W/A | 1 | 43 | HSS-0086 | BOLT | 1 |
| 5 | 192812 01 | HOOD PIVOT PIN | 2 | 44 | CLP-00103 | R CLIP | 1 |
| 6 | 192813 01 | LARGE WASHER | 2 | 45 | 199168 01 | 42' HOOD W/A RH | 1 |
| 7 | 197810 01 | BUMP STOP | 4 | 46 | 199115 01 | FIXED CTR HOOD W/A | 1 |
| 8 | 198604 01 | NYLON BUSH | 2 | 47 | 199117 01 | HOOD PIVOT PIN | 2 |
| 9 | 199109 01 | REAR RUBBER SEAL | 2 | 48 | 199135 01 | JOINING PLATE | 1 |
| 10 | 199162 01 | CLAMP STRIP | 2 | 49 | 199161 01 | CTR REAR RUBBER SEAL | 1 |
| 11 | 199061 01 | CLAMP STRIP | 4 | 50 | 199164 01 | CTR CLAMP STRIP | 2 |
| 12 | JAC-00221 | HYD RESEVOIR TANK | 1 | 51 | 199165 01 | CLAMP STRIP | 1 |
| 13 | JAC-00230 | HYD PUMP HANDLE | 1 | 52 | HSS-0150 | SETSCREW | 2 |
| 14 | JAC-00226 | HYDRAULIC HAND PUMP | 1 | 53 | HSS-0241 | SETSCREW | 3 |
| 15 | LTC-00040 | SLAM LATCH | 1 | 54 | HSS-0238 | SETSCREW | 2 |
| 16 | BLTA10290 | HEX.HEAD BOLT | 1 | 55 | | | |
| 17 | BLTA10350 | HEX.HEAD BOLT | 1 | | | | |
| 18 | BSH-3030 | BUSH | 4 | | | | |
| 19 | HSS-0145 | BOLT | 11 | | | | |
| 20 | HSS-0260 | SETSCREW | 2 | | | | |
| 21 | NUT-0265 | NYLOC NUT | 5 | | | | |
| 22 | NUT-0263 | NYLOC NUT | 13 | | | | |
| 23 | NUT-0269 | NUT | 6 | | | | |
| 24 | POP-0006 | POP RIVET | 66 | | | | |
| 25 | WSH-0012 | PLAIN WASHER FORM A | 24 | | | | |
| 26 | WSH-0015 | PLAIN WASHER | 9 | | | | |
| 27 | WSH-0018 | PLAIN WASHER | 10 | | | | |
| 28 | WSH-0061 | SPRING WASHER | 1 | | | | |
| 29 | 198595 01 | HAND PUMP BRACKET | 1 | | | | |
| 30 | 198608 01 | SLAM LATCH PIN BRACKET W/A | 1 | | | | |
| 31 | 197601 01 | HYDRAULIC CYLINDER ASSY | 1 | | | | |
| 31a | RMSK00030 | RAM SEAL KIT | | | | | |
| 32 | | | | | | | |
| 33 | WSH-1010 | DOWTY WASHER | 1 | | | | |
| 34 | HAPAA0305 | M/M ADAPTER | 1 | | | | |
| 35 | HALAA0303 | 90 DEG ELBOW | 1 | | | | |
| 36 | HHBC09605 | HYD HOSE ASSY | 1 | | | | |
| 37 | | | | | | | |
| 38 | HSS-0198 | SET SCREW | 2 | | | | |
| 39 | HSS-0191 | SET SCREW | 2 | | | | |

Shelbourne Reynolds Engineering Limited



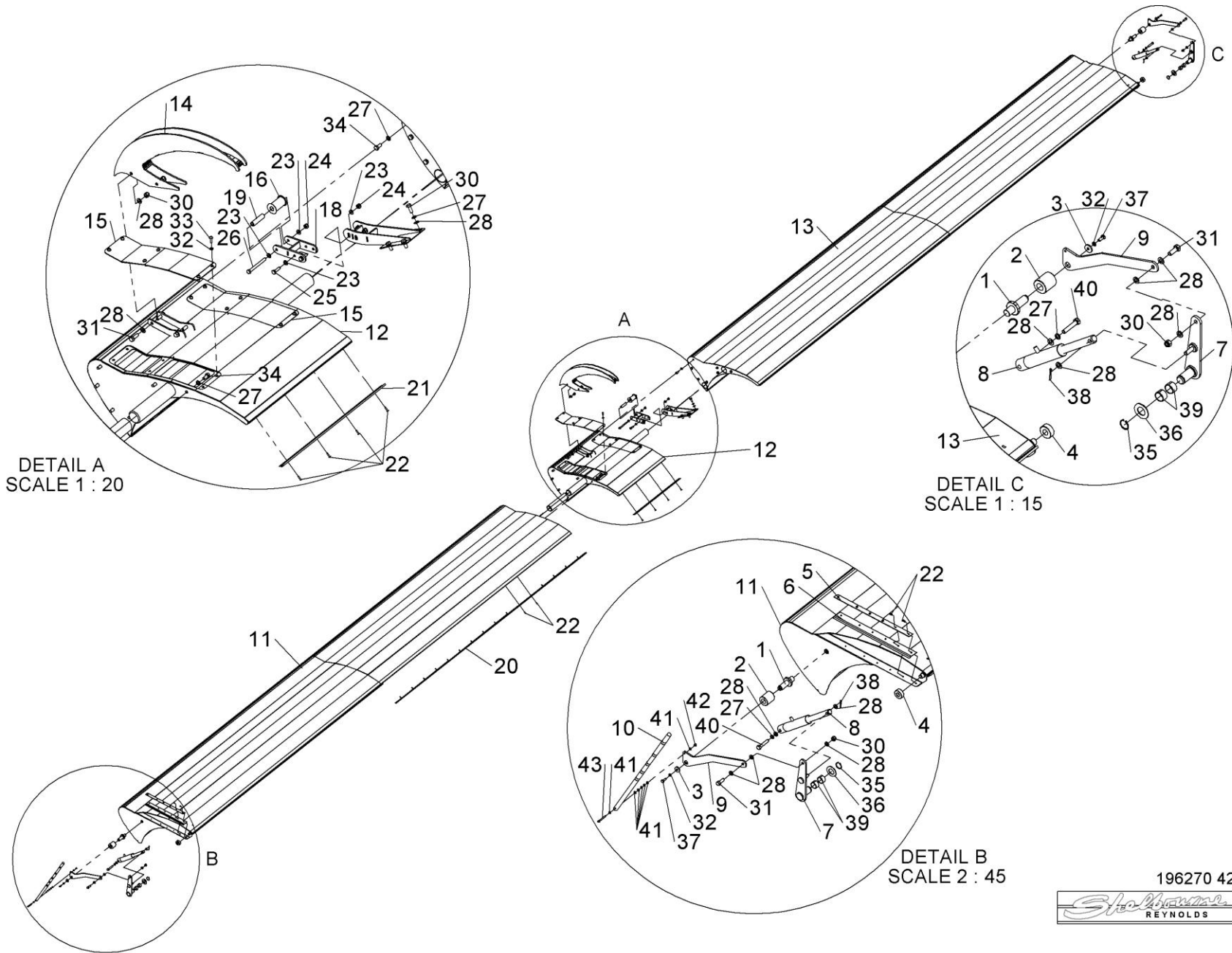
196269 42



Shelbourne Reynolds Engineering Limited

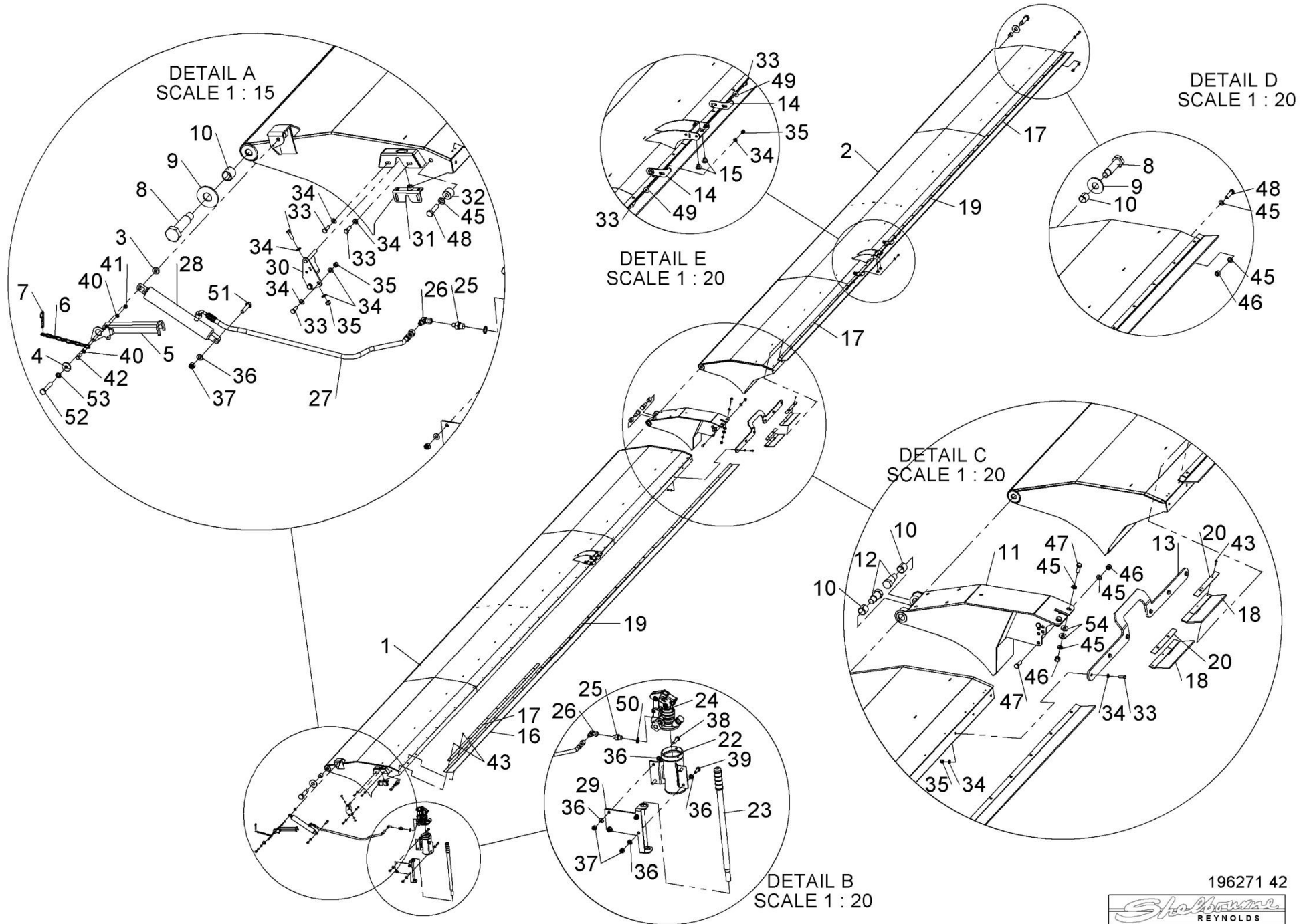
| ASSY NUMBER: 196270 42 | | | | ASSY DESCRIPTION: 42 CROP DEFLECTOR SUB ASSY (EARLY-MID 2012) | | | |
|------------------------|-----------|------------------------|-----|---|-----------|--------------|-----|
| ITEM | PART NO | DESCRIPTION | QTY | ITEM | PART NO | DESCRIPTION | QTY |
| 1 | 195379 01 | SPINDLE | 2 | 41 | WSH-0009 | PLAIN WASHER | 7 |
| 2 | 192688 01 | NYLON ROLLER | 2 | 42 | NUT-0260 | NYLOC NUT | 1 |
| 3 | 190119 08 | WASHER | 2 | 43 | BLTA06320 | HEX HD BOLT | 1 |
| 4 | 191642 01 | NYLON ROLLER | 2 | | | | |
| 5 | 195433 01 | CLAMP STRIP | 2 | | | | |
| 6 | 195432 01 | SIDE SEAL | 2 | | | | |
| 7 | 198479 01 | LEVER ARM WELD ASSY | 2 | | | | |
| 8 | 195075 01 | HYDRAULIC RAM ASSY | 2 | | | | |
| 9 | 198480 01 | LEVER ARM | 2 | | | | |
| 10 | 192494 01 | INDICATOR ROD | 1 | | | | |
| 11 | 199047 01 | LEFT CPD | 1 | | | | |
| 12 | 199048 01 | CENTRE | 1 | | | | |
| 13 | 199049 01 | RIGHT CPD | 1 | | | | |
| 14 | 199050 01 | CROP DEFLECTOR SUPPORT | 1 | | | | |
| 15 | 199173 01 | FIXING PLATE | 2 | | | | |
| 16 | 199179 01 | NYLON ROLLER | 1 | | | | |
| 17 | 199270 01 | RHINO SUPPORT ARM | 1 | | | | |
| 18 | 199184 01 | ROLLER GUIDE ARM | 1 | | | | |
| 19 | 199188 01 | SPACER | 1 | | | | |
| 20 | 199189 01 | LONG BRUSH | 4 | | | | |
| 21 | 199190 01 | SHORT BRUSH | 1 | | | | |
| 22 | POP-0006 | POP RIVET | 80 | | | | |
| 23 | WSH-0015 | PLAIN WASHER | 10 | | | | |
| 24 | NUT-0265 | NYLOC NUT | 5 | | | | |
| 25 | HSS-0198 | HEX HD BOLT | 4 | | | | |
| 26 | BLTA10590 | HEX HD BOLT | 1 | | | | |
| 27 | WSH-0065 | SPRING WASHER | 20 | | | | |
| 28 | WSH-0018 | PLAIN WASHER | 22 | | | | |
| 29 | HSS-0238 | HEX HD SCREW | 4 | | | | |
| 30 | NUT-0269 | NYLOC NUT | 6 | | | | |
| 31 | HSS-0241 | HEX HD SCREW | 6 | | | | |
| 32 | WSH-0058 | SPRING WASHER | 14 | | | | |
| 33 | SCBA08172 | BUTT SOC HD SCREW | 12 | | | | |
| 34 | HSS-0235 | HEX HD SCREW | 14 | | | | |
| 35 | CIR-1150 | EXTERNAL CIRCLIP | 2 | | | | |
| 36 | WSH-1547 | WASHER | 2 | | | | |
| 37 | HSS-0140 | HEX HD BOLT | 2 | | | | |
| 38 | PIN-1150 | SPLIT PIN | 2 | | | | |
| 39 | BSHK03047 | BUSH PTFE | 4 | | | | |
| 40 | HSS-0275 | HEX HD SCREW | 2 | | | | |

Shelbourne Reynolds Engineering Limited



Shelbourne Reynolds Engineering Limited

| ASSY NUMBER: 196271 42 | | | | ASSY DESCRIPTION: HOOD SUB ASSY EXCEL 42 (LATE 2012 UPTO 2014) | | | |
|------------------------|-----------|-------------------------|------|--|-----------|---------------|-----|
| ITEM | PART NO | DESCRIPTION | QTY | ITEM | PART NO | DESCRIPTION | QTY |
| 1 | 199292 01 | 42' LH HOOD WA | 1 | 39 | HSS-0191 | SET SCREW | 2 |
| 2 | 198682 01 | 42' RH HOOD WA | 1 | 40 | WSH-0009 | PLAIN WASHER | 2 |
| 3 | 190119 79 | WASHER | 1 | 41 | NUT-0260 | NYLOC NUT | 1 |
| 4 | 190119 75 | WASHER | 1 | 42 | HSS-0086 | SET SCREW | 1 |
| 5 | 198311 01 | RAM STOP W/A | 1 | 43 | POP-0006 | POP RIVET | 66 |
| 6 | CHN-0145 | CHAIN | 0.17 | | | | |
| 7 | CLP-00103 | R CLIP | 1 | 45 | WSH-0018 | PLAIN WASHER | 11 |
| 8 | 192812 01 | HOOD PIVOT PIN | 2 | 46 | NUT-0269 | NYLOC NUT | 7 |
| 9 | 192813 01 | LARGE WASHER | 2 | 47 | HSS-0241 | SET SCREW | 5 |
| 10 | BSHK03056 | BUSH PLAIN | 4 | 48 | HSS-0260 | SET SCREW | 2 |
| 11 | 199286 01 | FIXED CTR HOOD WA | 1 | 49 | WSH-1038 | PENNY WASHER | 8 |
| 12 | 199294 01 | CTR HOOD PIVOT PIN | 2 | 50 | WSH-1010 | DOWTY WASHER | 1 |
| 13 | 199135 01 | JOINING PLATE | 1 | 51 | BLTA10290 | HEX.HEAD BOLT | 1 |
| 14 | 199298 01 | ADJUSTABLE LOCKING BRKT | 4 | 52 | BLTA10350 | HEX.HEAD BOLT | 1 |
| 15 | 197810 01 | BUMP STOP | 4 | 53 | WSH-0061 | SPRING WASHER | 1 |
| 16 | 199109 01 | REAR RUBBER SEAL | 2 | 54 | 190119 16 | WASHER | AR |
| 17 | 199061 01 | CLAMP STRIP | 4 | | | | |
| 18 | 199489 01 | REAR RUBBER SEAL | 2 | | | | |
| 19 | 199162 01 | CLAMP STRIP | 2 | | | | |
| 20 | 199164 01 | CTR CLAMP STRIP | 2 | | | | |
| 21 | | | | | | | |
| 22 | JAC-00221 | HYD RESERVOIR | 1 | | | | |
| 23 | JAC-00230 | HYD HAND PUMP HANDLE | 1 | | | | |
| 24 | JAC-00226 | HYD HAND PUMP | 1 | | | | |
| 24a | FITE00107 | FILLER CAP | | | | | |
| 25 | HAPAA0305 | RESTRICTOR FITTING | 1 | | | | |
| 26 | HALAA0303 | ELBOW M/F | 1 | | | | |
| 27 | HHBC09605 | HYDRAULIC HOSE ASSY | 1 | | | | |
| 28 | 197601 01 | HYDRAULIC CYLINDER | 1 | | | | |
| 28a | RMSK00030 | RAM SEAL KIT | | | | | |
| 29 | 198595 01 | HAND PUMP BRACKET | 1 | | | | |
| 30 | 198608 01 | SLAM LATCH PIN BRKT W/A | 1 | | | | |
| 31 | LTC-00040 | SLAM LATCH | 1 | | | | |
| 32 | 198604 01 | NYLON BUSH | 2 | | | | |
| 33 | HSS-0145 | SET SCREW | 19 | | | | |
| 34 | WSH-0012 | PLAIN WASHER | 30 | | | | |
| 35 | NUT-0263 | NYLOC NUT | 19 | | | | |
| 36 | WSH-0015 | PLAIN WASHER | 9 | | | | |
| 37 | NUT-0265 | NYLOC NUT | 5 | | | | |
| 38 | HSS-0198 | SET SCREW | 2 | | | | |



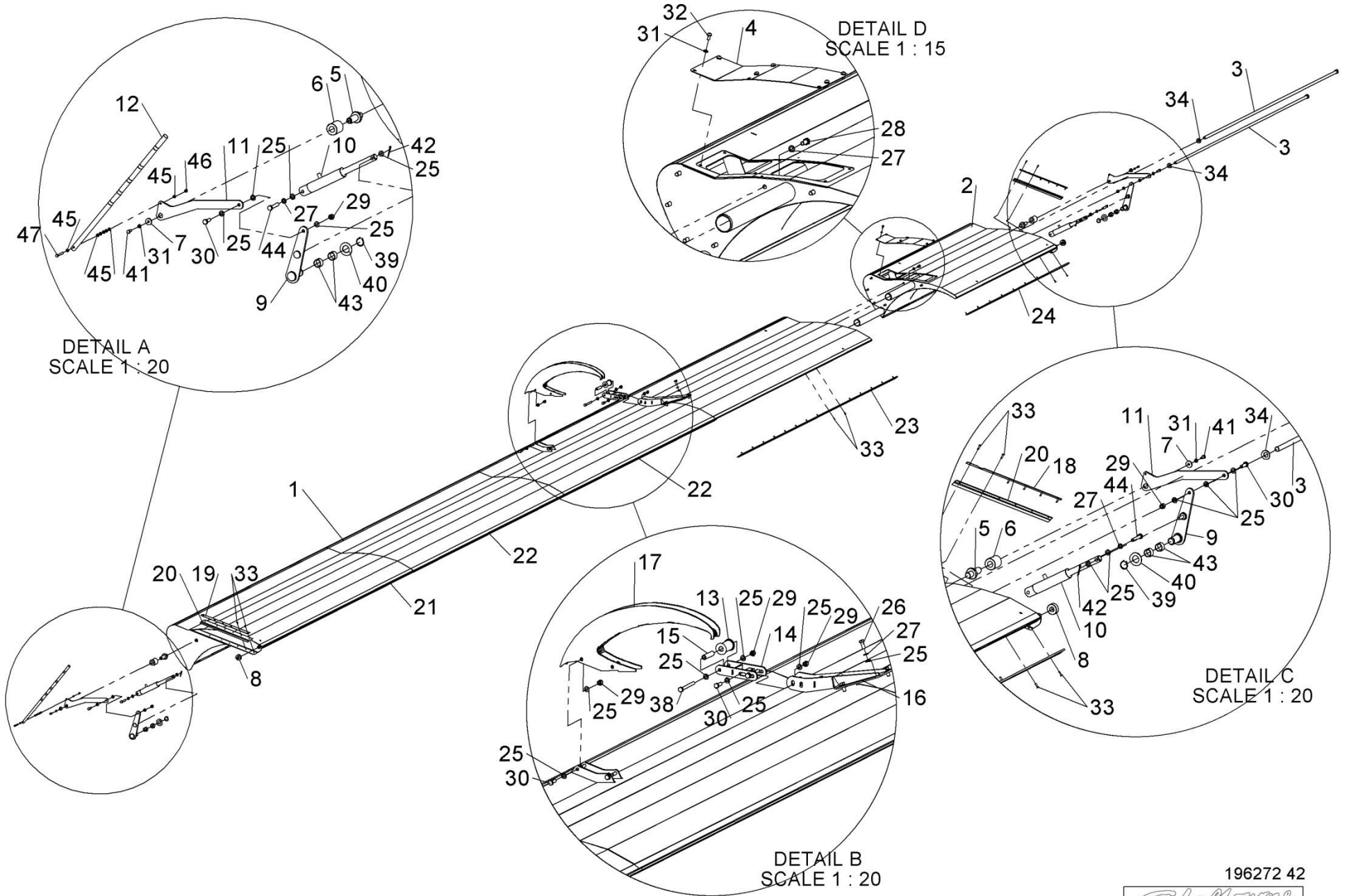
196271 42



Shelbourne Reynolds Engineering Limited

| ASSY NUMBER: 196272 42 | | | | ASSY DESCRIPTION: CROP DEFLECTOR SUB ASSY (LATE 2012 UPTO2014) | | | |
|------------------------|-----------|-------------------------------|-----|--|-----------|---------------|-----|
| ITEM | PART NO | DESCRIPTION | QTY | ITEM | PART NO | DESCRIPTION | QTY |
| 1 | 199313 01 | CROP DEFLECTOR LH WA | 1 | 39 | CIR-1150 | CIRCLIP EXT | 2 |
| 2 | 199305 01 | CROP DEFLECTOR RH WA | 1 | 40 | WSH-1547 | PLAIN WASHER | 2 |
| 3 | 199343 01 | LONG BOLT | 2 | 41 | HSS-0140 | SET SCREW | 2 |
| 4 | 199196 01 | INSPECTION COVER (2013 & ON) | | 42 | PIN-1150 | SPLIT PIN | 2 |
| OR | 199347 01 | INSPECTION COVER (2012 ONLY) | 1 | 43 | BSHK03047 | BUSH PLAIN | 4 |
| 5 | 195379 01 | SPINDLE | 2 | 44 | BLTA12410 | BOLT | 2 |
| 6 | 192688 01 | NYLON ROLLER | 2 | 45 | WSH-0009 | PLAIN WASHER | 7 |
| 7 | 190119 08 | WASHER | 2 | 46 | NUT-0260 | NYLOC NUT | 1 |
| 8 | 191642 01 | NYLON ROLLER | 2 | 47 | BLTA06320 | HEX.HEAD BOLT | 1 |
| 9 | 198479 01 | LEVER ARM W/A | 2 | | | | |
| 10 | 195075 01 | HYDRAULIC RAM ASSY | 2 | | | | |
| 11 | 198480 01 | LEVER ARM | 2 | | | | |
| 12 | 192494 01 | INDICATOR ROD | 1 | | | | |
| 13 | 199179 01 | NYLON POLLER | 1 | | | | |
| 14 | 199184 01 | ROLLER GUIDE ARM | 1 | | | | |
| 15 | 199188 01 | SPACER | 1 | | | | |
| 16 | 199296 01 | CROP DEFLECTOR SUPPORT W/A | 1 | | | | |
| 17 | 199487 01 | CROP DEF. SUPPORT (2013 & ON) | 1 | | | | |
| OR | 199050 01 | CROP DEF. SUPPORT (2012 ONLY) | 1 | | | | |
| 18 | 199344 01 | CLAMP STRIP | 1 | | | | |
| 19 | 195433 01 | CLAMP STRIP | 1 | | | | |
| 20 | 195432 01 | SEAL STRIP | 2 | | | | |
| 21 | 199333 01 | BRUSH | 1 | | | | |
| 22 | 199327 01 | BRUSH | 2 | | | | |
| 23 | 199330 01 | BRUSH | 1 | | | | |
| 24 | 199334 01 | BRUSH | 1 | | | | |
| 25 | WSH-0018 | PLAIN WASHER | 32 | | | | |
| 26 | HSS-0238 | SET SCREW | 4 | | | | |
| 27 | WSH-0065 | SPRING WASHER | 13 | | | | |
| 28 | HSS-0235 | SET SCREW | 7 | | | | |
| 29 | NUT-0269 | NYLOC NUT | 11 | | | | |
| 30 | HSS-0241 | SET SCREW | 10 | | | | |
| 31 | WSH-0058 | SPRING WASHER | 8 | | | | |
| 32 | SCBA08112 | BUTTON SKT HD SCREW | 6 | | | | |
| 33 | POP-0006 | POP RIVET | 78 | | | | |
| 34 | WSHA30201 | WASHER | 2 | | | | |
| 35 | | | | | | | |
| 36 | | | | | | | |
| 37 | | | | | | | |
| 38 | BLTA12590 | HEX.HEAD BOLT | 1 | | | | |

Shelbourne Reynolds Engineering Limited



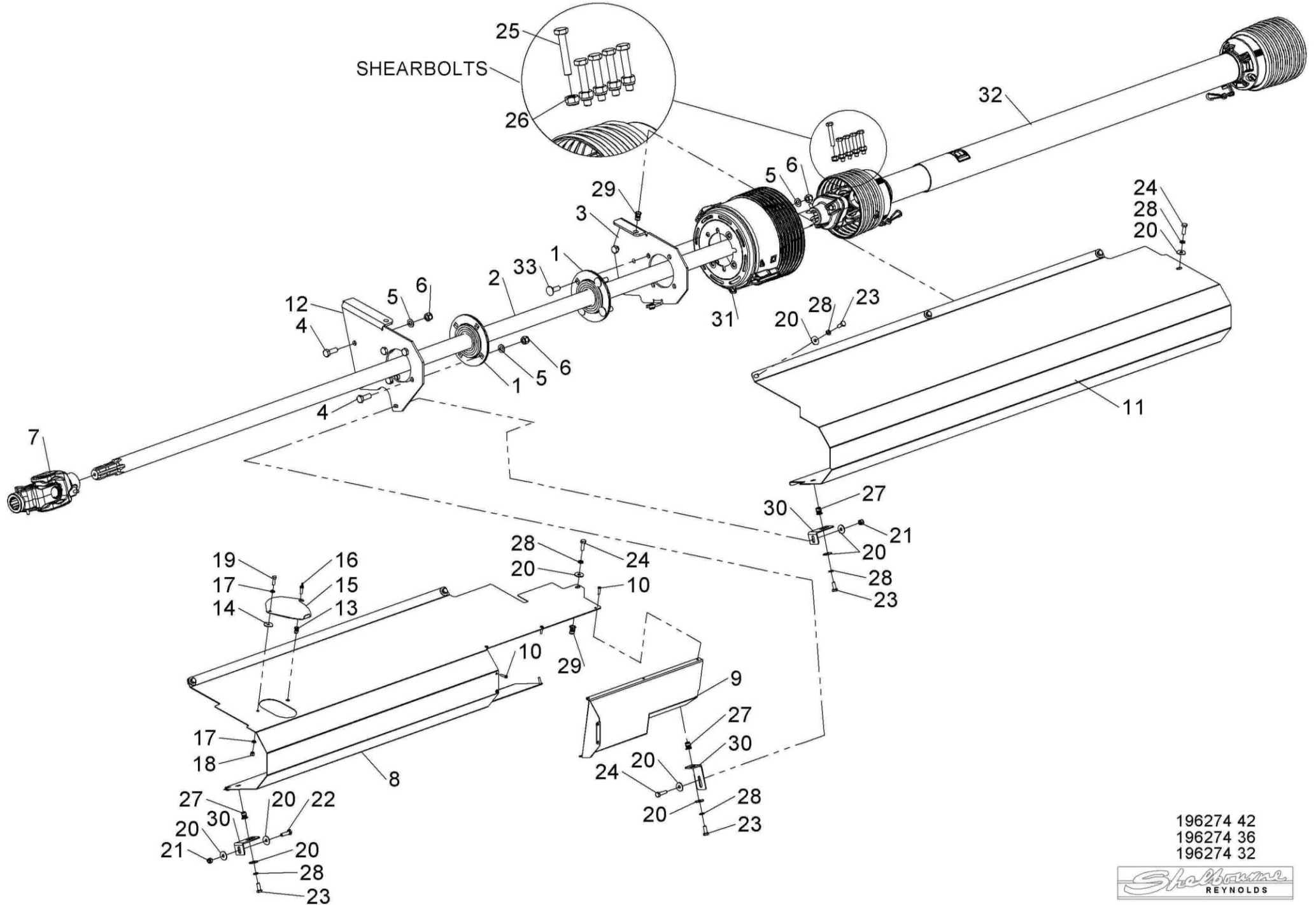
196272 42



Shelbourne Reynolds Engineering Limited

| ASSY NUMBER: 196274 42 | | | | ASSY DESCRIPTION: REAR DRIVE SHAFT SUB ASSY (2013 & ON) | | | |
|------------------------|-------------|--|-----|---|---------|-------------|-----|
| ITEM | PART NO | DESCRIPTION | QTY | ITEM | PART NO | DESCRIPTION | QTY |
| 1 | BRG-24500 | BEARING | 2 | | | | |
| 2 | 192982 16 | DRIVE SHAFT | 1 | | | | |
| 3 | 290397 01 | SHAFT SUPPORT BRKT (2017 & ON) | 1 | | | | |
| OR | 199463 01 | SHAFT SUPPORT BRKT (UPTO 2017) | 1 | | | | |
| 4 | HSS-0241 | SETSCREW | 8 | | | | |
| 5 | WSH-0018 | PLAIN WASHER | 12 | | | | |
| 6 | NUT-0269 | NYLOC NUT | 12 | | | | |
| 7 | PTO-24000WE | PTO COUPLING | 1 | | | | |
| 7a | PTO-00083 | PTO CROSS BEARING | | | | | |
| 7b | KIT-01409 | GREASE POINT KIT | | | | | |
| 8 | 199451 01 | LH PTO GUARD | 1 | | | | |
| 9 | 199323 01 | PTO GUARD | 1 | | | | |
| 10 | POP-0006 | POP RIVET | 7 | | | | |
| 11 | 290400 01 | RH PTO GUARD (2017 & ON) | 1 | | | | |
| OR | 199462 01 | RH PTO GUARD (UPTO 2017) | 1 | | | | |
| 12 | 199452 01 | SHAFT SUPPORT BRACKET | 1 | | | | |
| 13 | NUTA13060 | NUTSERT | 1 | | | | |
| 14 | WSH-1036 | PENNY WASHER | 1 | | | | |
| 15 | 197757 01 | COVER | 1 | | | | |
| 16 | SCW-4701 | THUMBSCREW | 1 | | | | |
| 17 | WSH-0009 | PLAIN WASHER | 2 | | | | |
| 18 | NUT-0260 | NYLOC NUT | 1 | | | | |
| 19 | HSS-0086 | SETSCREW | 1 | | | | |
| 20 | WSH-1038 | PENNY WASHER | 15 | | | | |
| 21 | NUT-0263 | NYLOC NUT | 2 | | | | |
| 22 | HSS-0150 | SETSCREW | 2 | | | | |
| 23 | HSS-0140 | SETSCREW | 8 | | | | |
| 24 | HSS-0145 | SETSCREW | 3 | | | | |
| 25 | BLTA10384 | SHEAR BOLT | 5 | | | | |
| 26 | NUT-0265 | NYLOC NUT | 5 | | | | |
| 27 | NUTA13080 | NUTSERT | 3 | | | | |
| 28 | WSH-0058 | SPRING WASHER | 11 | | | | |
| 29 | NUTA13087 | NUTSERT | 3 | | | | |
| 30 | 199603 01 | SMALL BRACKET | 3 | | | | |
| 31 | PTO-00975 | PTO CONE (2017 & ON) | 1 | | | | |
| 32 | PTO SHAFT | SEE DRIVE KITS - 196549 XXX OR PTO-260** PARTS PAGE | | | | | |
| 33 | BLTF12233 | COACH BOLT | 4 | | | | |

Shelbourne Reynolds Engineering Limited



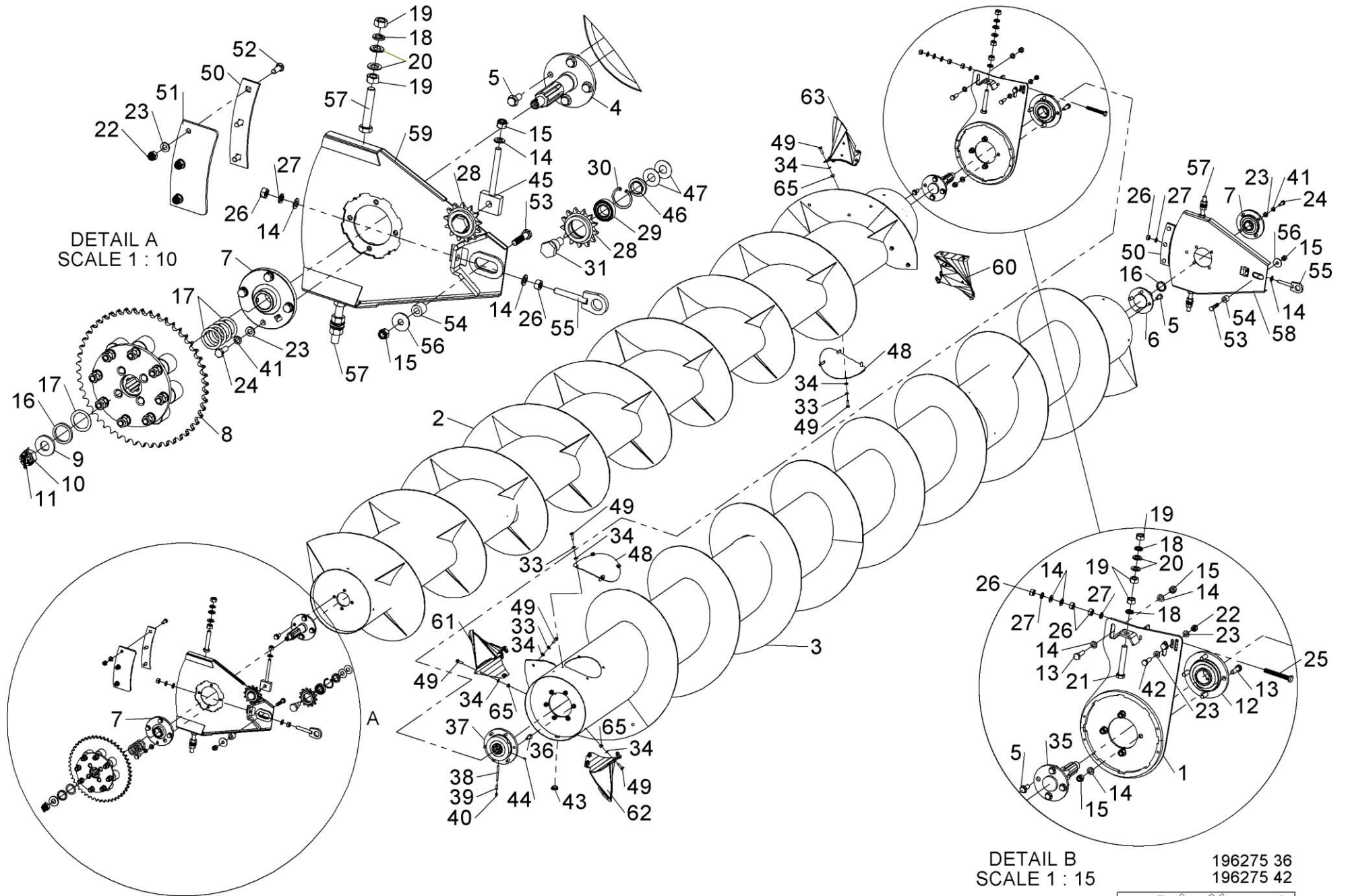
196274 42
 196274 36
 196274 32



Shelbourne Reynolds Engineering Limited

| ASSY NUMBER: 196275 42 | | | | ASSY DESCRIPTION: AUGER SUB ASSY 42' (2013 ONLY) | | | |
|------------------------|-----------|----------------------------|-----|--|-----------|----------------------------|-----|
| ITEM | PART NO | DESCRIPTION | QTY | ITEM | PART NO | DESCRIPTION | QTY |
| 1 | 198528 01 | CENTRE AUGER MTG PLATE W/A | 1 | 41 | WSH-0061 | SPRING WASHER | 4 |
| 2 | 199484 01 | DRIVE END AUGER W/A | 1 | 42 | HSS-0198 | BOLT | 1 |
| 3 | 199485 01 | IDLE END AUGER W/A | 1 | 43 | BPG-00200 | PLASTIC BODY PLUG | 1 |
| 4 | 195848 01 | AUGER DRIVE W/A | 1 | 44 | SCW-4530 | GRUBSCREW | 1 |
| 5 | HSSF12204 | HEX. HD. SET SCREW | 12 | 45 | 199063 01 | IDLER ADJ SCREW ASSY | 1 |
| 6 | 197704 02 | IDLER SHAFT | 1 | 46 | 191040 01 | SPACER | 2 |
| 7 | BRG-23560 | CAST SUPPORT | 2 | 47 | 190548 04 | WASHER | 4 |
| 8 | KIT-00121 | AUGER DRV/SPRKT CLUTCH | 1 | 48 | 198511 01 | AUGER COVER PLATE | 2 |
| 9 | 190119 47 | WASHER | 1 | 49 | HSS-0145 | BOLT | 28 |
| 10 | NUT-0580 | CASTLE NUT | 1 | 50 | 200407 01 | SUPPORT PLATE | 2 |
| 11 | PIN-1150 | SPLIT PIN | 1 | 51 | 200408 01 | OVERLAP PLATE | 2 |
| 12 | BRG-24505 | ROUND FLANGED BEARING | 1 | 52 | BLT-3750 | COACHBOLT | 6 |
| 13 | BLTA12260 | HEX HEAD BOLT | 6 | 53 | BLTA12350 | BOLT | 2 |
| 14 | WSH-0018 | PLAIN WASHER | 15 | 54 | 200499 01 | SPACER | 2 |
| 15 | NUT-0269 | NUT | 11 | 55 | 200405 01 | ADJUSTER | 2 |
| 16 | 190119 82 | WASHER | 4 | 56 | 190119 26 | WASHER | 2 |
| 17 | 190119 95 | WASHER | 5 | 57 | HSS-0330 | SETSCREW | 4 |
| 18 | WSH-0070 | SPRING WASHER | 6 | 58 | 197711 07 | AUGER ADJUSTER PLATE RH | 1 |
| 19 | NUT-0180 | PLAIN NUT PLATED | 11 | 59 | 199475 01 | AUGER ADJUSTER PLATE LH | 1 |
| 20 | WSH-0024 | PLAIN WASHER FORM A | 10 | 60 | 199381 01 | DRIVE END SHORT PADDLE W/A | 1 |
| 21 | HSSA16560 | HEX HEAD SET SCREW | 1 | 61 | 199381 02 | IDLE END SHORT PADDLE W/A | 1 |
| 22 | NUT-0265 | NYLOC NUT | 11 | 62 | 199382 01 | PADDLE EXT W/A | 1 |
| 23 | WSH-0015 | PLAIN WASHER | 16 | 63 | 199382 02 | PADDLE EXT W/A | 1 |
| 24 | HSS-0194 | BOLT | 8 | 64 | | | |
| 25 | HSSA12530 | HEX.HEAD SET SCREW | 1 | 65 | NUT-0263 | NYLOC NUT | 16 |
| 26 | NUT-0170 | PLAIN NUT PLATED | 7 | | | | |
| 27 | WSH-0065 | SPRING WASHER | 4 | | | | |
| 28 | 131041 01 | JOCKEY SPKT.3/4P.13T. | 2 | | | | |
| 29 | BRG-1995 | SUPPORT | 2 | | | | |
| 30 | CIR-0470 | CIRCLIP INT | 2 | | | | |
| 31 | 190060 11 | IDLER SPINDLE | 2 | | | | |
| 32 | | | | | | | |
| 33 | WSH-0058 | SPRING WASHER | 12 | | | | |
| 34 | WSH-0012 | PLAIN WASHER | 28 | | | | |
| 35 | 198514 01 | AUGER CTR.DRV.SHAFT W/A | 1 | | | | |
| 36 | HSSG10204 | TENSILOCK BOLT | 6 | | | | |
| 37 | 193114 01 | BALL COUPLING ASSY | 1 | | | | |
| 38 | 193077 01 | GREASE PIPE DTL | 1 | | | | |
| 39 | 193078 01 | GREASE PIPE SLEEVE | 1 | | | | |
| 40 | NIP-00600 | GREASE NIPPLE | 1 | | | | |

Shelbourne Reynolds Engineering Limited



DETAIL B
SCALE 1:15

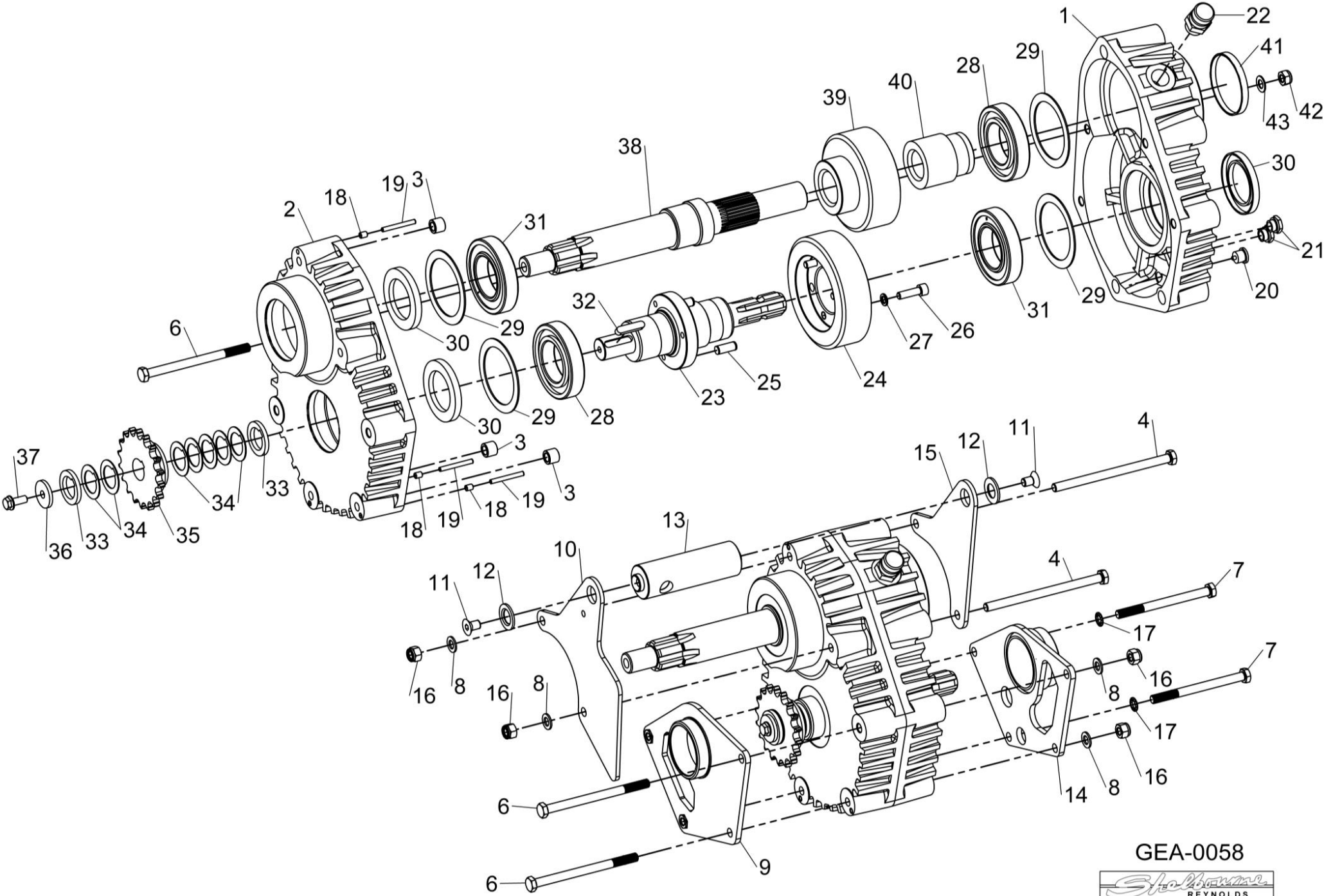
196275 36
196275 42



Shelbourne Reynolds Engineering Limited

| ASSY NUMBER: GEA-0058 | | | | ASSY DESCRIPTION: INPUT GEARBOX ASSY VARIABLE SPEED | | | |
|-----------------------|-----------|----------------------------|-----|---|----------------|--|-----|
| ITEM | PART NO | DESCRIPTION | QTY | ITEM | PART NO | DESCRIPTION | QTY |
| 1 | 197619 03 | CASE HALF (PTO SIDE) | 1 | OR | 192768 08 | AUGER DRIVE SPROCKET (13T) | 1 |
| 2 | 197619 02 | CASE HALF (PULLEY SIDE) | 1 | OR | 192768 20 | AUGER DRIVE SPROCKET (12T) | 1 |
| 3 | 192598 01 | DOWEL | 3 | 36 | 190548 01 | RETAINING WASHER | 1 |
| 4 | BLTA12810 | HEX HEAD BOLT | 2 | 37 | HSSF10174 | HEX HD SCREW | 1 |
| 5 | | | | 38 | 194964 01 | PINION SHAFT | 1 |
| 6 | BLTA12750 | HEX HEAD BOLT | 3 | 39 | 193599 09 | PINION GEAR (32 TOOTH) | 1 |
| 7 | BLT-2276 | HEX.HEAD BOLT | 2 | OR | 193599 11 | PINION GEAR (34 TOOTH) | 1 |
| 8 | WSH-0018 | PLAIN WASHER | 4 | OR | 193599 12 | PINION GEAR (30 TOOTH) | 1 |
| 9 | 198021 01 | G/BOX MTG PLT LH | 1 | OR | 193599 13 | PINION GEAR (36 TOOTH) | 1 |
| 10 | 198026 01 | G/BOX ADJ PLT LH | 1 | 40 | 195526 01 | SLEEVE | 1 |
| 11 | SCW-1930 | CSK SKT HD SCREW | 2 | 41 | SEAZ09000 | CORE PLUG SEAL | 1 |
| 12 | 198024 01 | CSK WASHER | 2 | 42 | NUT-0270 | NYLOC NUT (THIN) | 1 |
| 13 | 198023 01 | GEARBOX ADJUSTER | 1 | 43 | WSH-0019 | PLAIN WASHER (FORM B) | 1 |
| 14 | 198022 01 | G/BOX MTG PLT RH | 1 | | | | |
| 15 | 198025 01 | G/BOX ADJ PLT RH | 1 | | | | |
| 16 | NUT-0269 | NYLOC NUT | 4 | | GEA-0058CNH | SPARES GEARBOX ASSY C/W 35T & 34T GEARS | |
| 17 | WSHA20121 | SHAKEPROOF WASHER | 2 | | GEA-0058JD/CIH | SPARES GEARBOX ASSY C/W 37T & 32T GEARS | |
| 18 | SCW-4535 | GRUBSCREW | 3 | | GEA-0058LEX | SPARES GEARBOX ASSY C/W 33T & 36T GEARS | |
| 19 | 192597 01 | JACKING ROD | 3 | | | | |
| 20 | FIT-0253 | DRAIN PLUG | 1 | | | | |
| 21 | FITD00005 | SIGHT GLASS/SEAL | 2 | | | | |
| 22 | FIT-0255 | BREATHER | 1 | | | | |
| 23 | 192591 01 | INPUT SHAFT | 1 | | | ABOVE SPARE GEARBOX ASSY DO NOT INCLUDE MOUNTING PLATES & AUGER SPROCKET, ITEMS, 9,10,11, 12,13,14,15,33,34,35,36 & 37 | |
| 24 | 192592 09 | INPUT GEAR (37 TOOTH) | 1 | | | | |
| OR | 192592 11 | INPUT GEAR (35 TOOTH) | 1 | | | | |
| OR | 192592 12 | INPUT GEAR (39 TOOTH) | 1 | | | | |
| OR | 192592 13 | INPUT GEAR (33 TOOTH) | 1 | | | | |
| 25 | PIN-61217 | DOWEL PIN | 3 | | | | |
| 26 | SCW-0196 | CAP HEAD SCREW | 3 | | | | |
| 27 | WSH-0061 | SPRING WASHER | 3 | | | | |
| 28 | BRG-7040 | BEARING | 2 | | | | |
| 29 | 192596 01 | RING | 4 | | | | |
| 30 | SEA-0590 | SHAFT SEAL | 3 | | | | |
| 31 | BRG-16080 | SUPPORT | 2 | | | | |
| 32 | K1008045 | KEY | 1 | | | | |
| 33 | 191692 01 | SPACER | 2 | | | | |
| 34 | 191692 02 | SPACER | 7 | | | | |
| 35 | 192768 18 | AUGER DRIVE SPROCKET (18T) | 1 | | | | |
| OR | 192768 04 | AUGER DRIVE SPROCKET (16T) | 1 | | | | |
| OR | 192768 16 | AUGER DRIVE SPROCKET (15T) | 1 | | | | |
| OR | 192768 10 | AUGER DRIVE SPROCKET (22T) | 1 | | | | |

Shelbourne Reynolds Engineering Limited



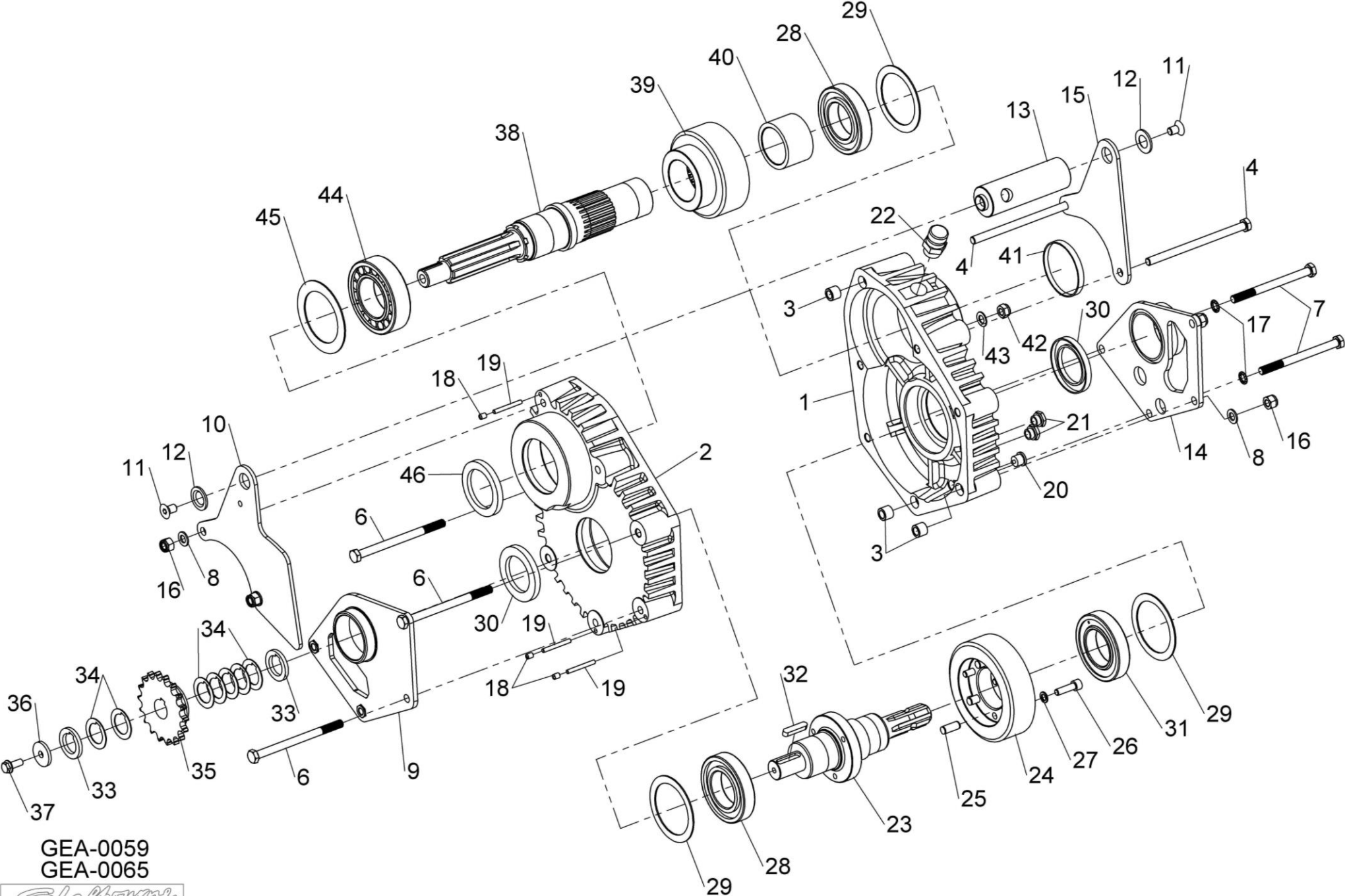
GEA-0058



Shelbourne Reynolds Engineering Limited

| ASSY NUMBER: GEA-0059 | | | | ASSY DESCRIPTION: INPUT GEARBOX HTD DRIVE (RSD UPTO 2020) (CSD 2020 ONLY) | | | |
|-----------------------|-----------|----------------------------|-----|--|-----------------|---|-----|
| ITEM | PART NO | DESCRIPTION | QTY | ITEM | PART NO | DESCRIPTION | QTY |
| 1 | 197619 03 | CASE HALF | 1 | OR | 192768 16 | AUGER DRIVE SPROCKET (15T) | 1 |
| 2 | 197619 04 | CASE HALF | 1 | OR | 192768 10 | AUGER DRIVE SPROCKET (22T) | 1 |
| 3 | 192598 01 | DOWEL | 3 | OR | 192768 08 | AUGER DRIVE SPROCKET (13T) | 1 |
| 4 | BLTA12810 | HEX HEAD BOLT | 2 | OR | 192768 20 | AUGER DRIVE SPROCKET (12T) | 1 |
| 5 | | | | 36 | 190548 01 | RETAINING WASHER | 1 |
| 6 | BLTA12750 | HEX HEAD BOLT | 3 | 37 | HSSF10174 | SET SCREW | 1 |
| 7 | BLT-2276 | HEX.HEAD BOLT | 2 | 38 | 199062 01 | PINION SHAFT C/W STUB(2013&ON) | 1 |
| 8 | WSH-0018 | PLAIN WASHER | 4 | OR | 198926 01 | PINION SHAFT (UPTO 2013) | 1 |
| 9 | 198021 01 | G/BOX MOUNTING PLT LH | 1 | 39 | 198999 09 | PINION GEAR (32 TOOTH) | 1 |
| 10 | 198026 01 | G/BOX ADJ PLT LH | 1 | OR | 198999 11 | PINION GEAR (34 TOOTH) | 1 |
| 11 | SCW-1930 | CSK SKT HD SCREW | 2 | OR | 198999 12 | PINION GEAR (30 TOOTH) | 1 |
| 12 | 198024 01 | CSK WASHER | 2 | OR | 198999 13 | PINION GEAR (36 TOOTH) | 1 |
| 13 | 198023 01 | GEARBOX ADJUSTER | 1 | 40 | 198942 01 | SPACER | 1 |
| 14 | 198022 01 | G/BOX MOUNTING PLT RH | 1 | 41 | SEAZ09000 | PLUG SEAL | 1 |
| 15 | 198025 01 | G/BOX ADJ PLT RH | 1 | 42 | NUT-0270 | NYLOC NUT (THIN) | 1 |
| 16 | NUT-0269 | NYLOC NUT | 4 | 43 | WSH-0019 | PLAIN WASHER (FORM B) | 1 |
| 17 | WSHA20121 | SHAKEPROOF WASHER | 2 | 44 | BRG-16585 | BEARING (65mm) | 1 |
| 18 | SCW-4535 | SOCKET GRUBSCREW | 3 | 45 | 198927 01 | SPACER RING | 1 |
| 19 | 192597 01 | JACKING ROD VS | 3 | 46 | SEAB06500 | SHAFT SEAL (65mm) | 1 |
| 20 | FIT-0253 | PLUG | 1 | | | | |
| 21 | FITD00005 | SIGHT GLASS/SEAL | 2 | | | | |
| 22 | FIT-0255 | BREATHER | 1 | | GEA-0059CNH | SPARES GEARBOX ASSY C/W 35T & 34T GEARS | |
| 23 | 192591 01 | INPUT SHAFT | 1 | | | | |
| 24 | 192592 09 | INPUT GEAR (37 TOOTH) | 1 | | GEA-0059JD/CIH | SPARES GEARBOX ASSY C/W 37T & 32T GEARS | |
| OR | 192592 11 | INPUT GEAR (35 TOOTH) | 1 | | | | |
| OR | 192592 12 | INPUT GEAR (39 TOOTH) | 1 | | GEA-0059LEX/CNH | SPARES GEARBOX ASSY C/W 33T & 36T GEARS | |
| OR | 192592 13 | INPUT GEAR (33 TOOTH) | 1 | | | | |
| 25 | PIN-61217 | DOWEL PIN | 3 | | | | |
| 26 | SCW-0196 | CAP HEAD SCREW | 3 | | | ABOVE SPARE GEARBOX ASSY DO NOT INCLUDE ADJUSTER PLATES & AUGER SPROCKET, ITEMS, 10, 11, 12, 13, 15, 33, 34, 35, 36 & 37 | |
| 27 | WSH-0061 | SPRING WASHER | 3 | | | | |
| 28 | BRG-7040 | BEARING | 2 | | | | |
| 29 | 192596 01 | RING | 3 | | | | |
| 30 | SEA-0590 | SHAFT SEAL | 2 | | | | |
| 31 | BRG-16080 | BEARING | 1 | | | | |
| 32 | K1008045 | KEY | 1 | | | | |
| 33 | 191692 01 | SPACER | 2 | | | | |
| 34 | 191692 02 | SPACER | 7 | | | | |
| 35 | 192768 18 | AUGER DRIVE SPROCKET (18T) | 1 | | | | |
| OR | 192768 04 | AUGER DRIVE SPROCKET (16T) | 1 | | | | |

Shelbourne Reynolds Engineering Limited



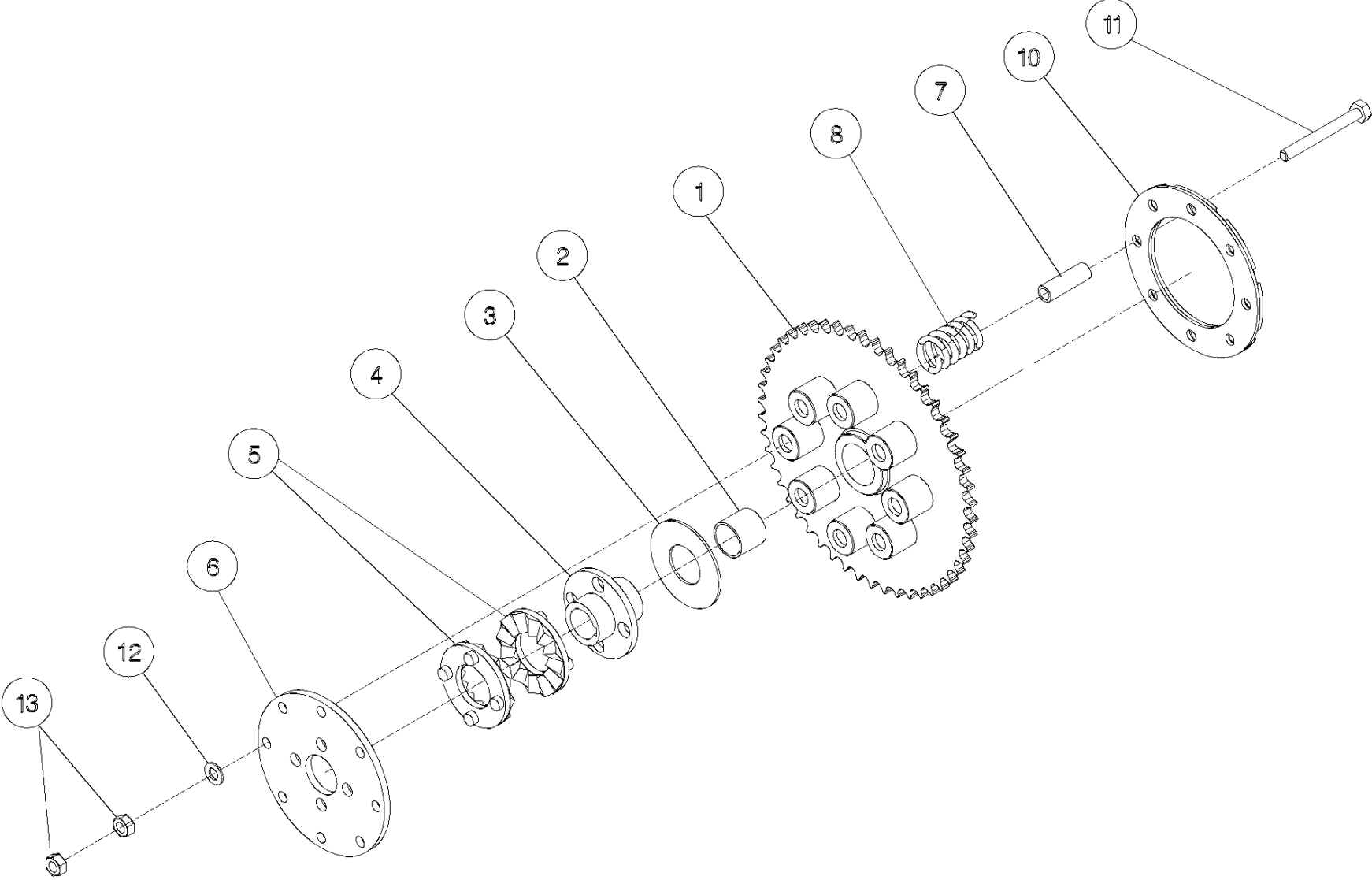
GEA-0059
GEA-0065



Shelbourne Reynolds Engineering Limited

| ASSY NUMBER: KIT-00121 | | | | ASSY DESCRIPTION: AUGER DRV/SPRKT CLUTCH | | | |
|------------------------|-----------|--------------------|-----|--|---------|-------------|-----|
| ITEM | PART NO | DESCRIPTION | QTY | ITEM | PART NO | DESCRIPTION | QTY |
| 1 | 290466 01 | 50T SPROCKET ASSY | 1 | | | | |
| 2 | BSHK05056 | BUSH | 1 | | | | |
| 3 | 192008 02 | THRUST WASHER | 1 | | | | |
| 4 | 195850 01 | SPLINED CLUTCH HUB | 1 | | | | |
| 5 | 131005 | CLUTCH PLATE | 2 | | | | |
| 6 | 195429 01 | DRIVE DISC | 1 | | | | |
| 7 | 131073 04 | SPACER | 8 | | | | |
| 8 | 131063 | SPRING | 8 | | | | |
| 10 | 195427 01 | LOCKING RING | 1 | | | | |
| 11 | BLT-2270 | BOLT | 8 | | | | |
| 12 | WSH-0018 | PLAIN WASHER | 8 | | | | |
| 13 | NUT-0170 | PLAIN NUT | 16 | | | | |

Shelbourne Reynolds Engineering Limited

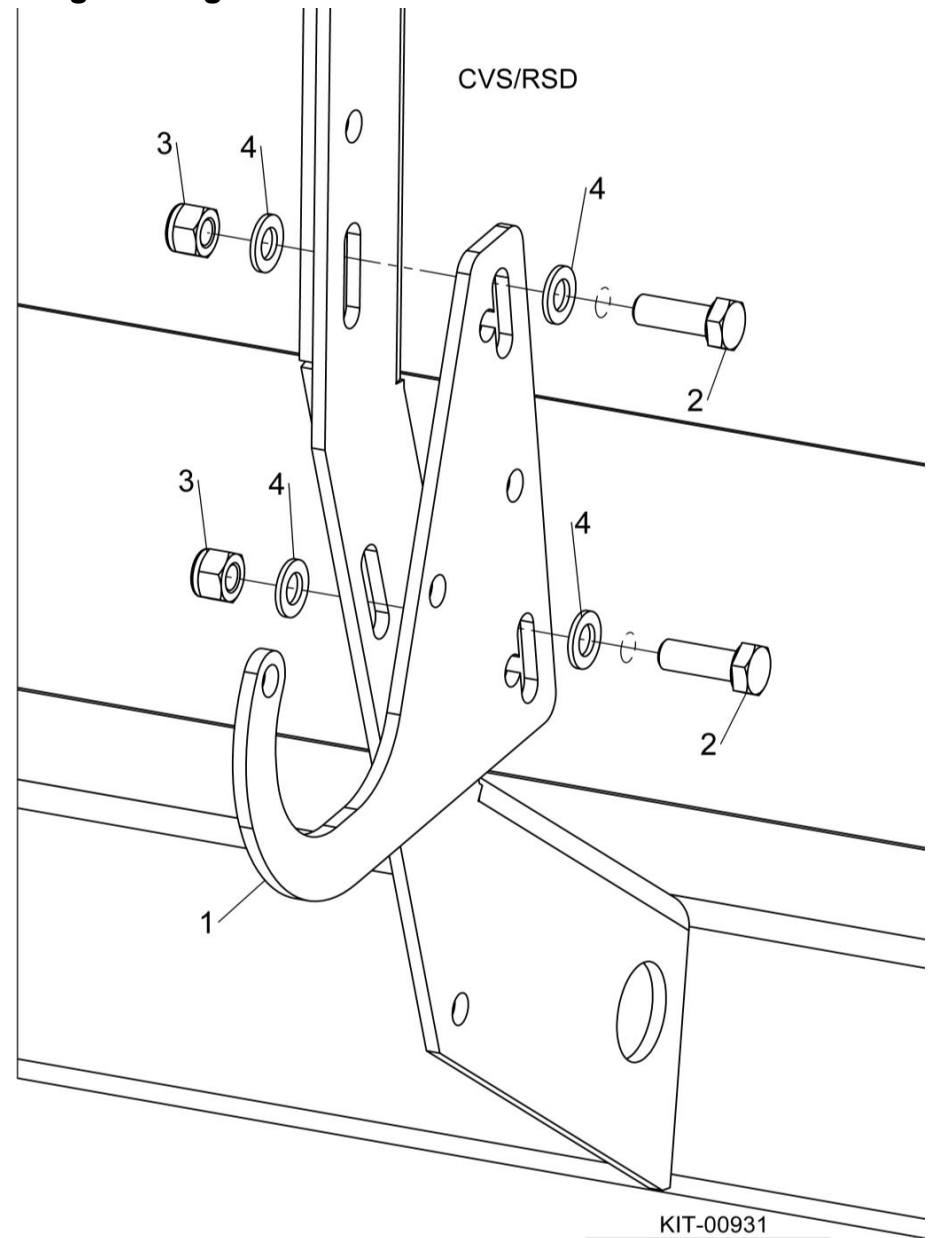
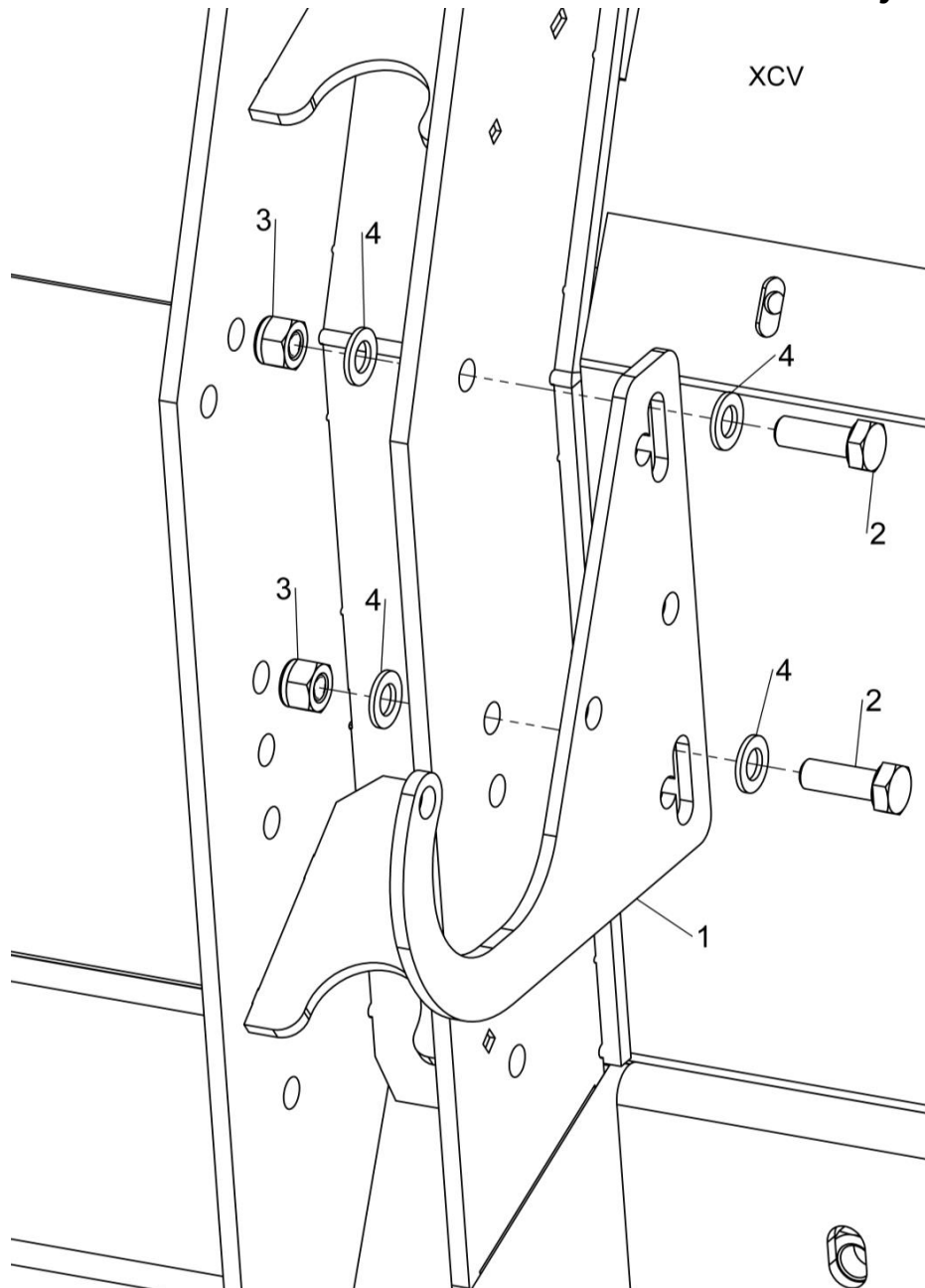


KIT - 00119
KIT - 00121

Shelbourne Reynolds Engineering Limited

| ASSY NUMBER: KIT-00931 | | | | ASSY DESCRIPTION: PTO SUPPORT KIT | | | |
|------------------------|-----------|--------------|-----|-----------------------------------|---------|-------------|-----|
| ITEM | PART NO | DESCRIPTION | QTY | ITEM | PART NO | DESCRIPTION | QTY |
| 1 | 191945 01 | PTO SUPPORT | 1 | | | | |
| 2 | HSS-0241 | SETSCREW | 2 | | | | |
| 3 | NUT-0269 | NYLOC NUT | 2 | | | | |
| 4 | WSH-0018 | PLAIN WASHER | 4 | | | | |

Shelbourne Reynolds Engineering Limited

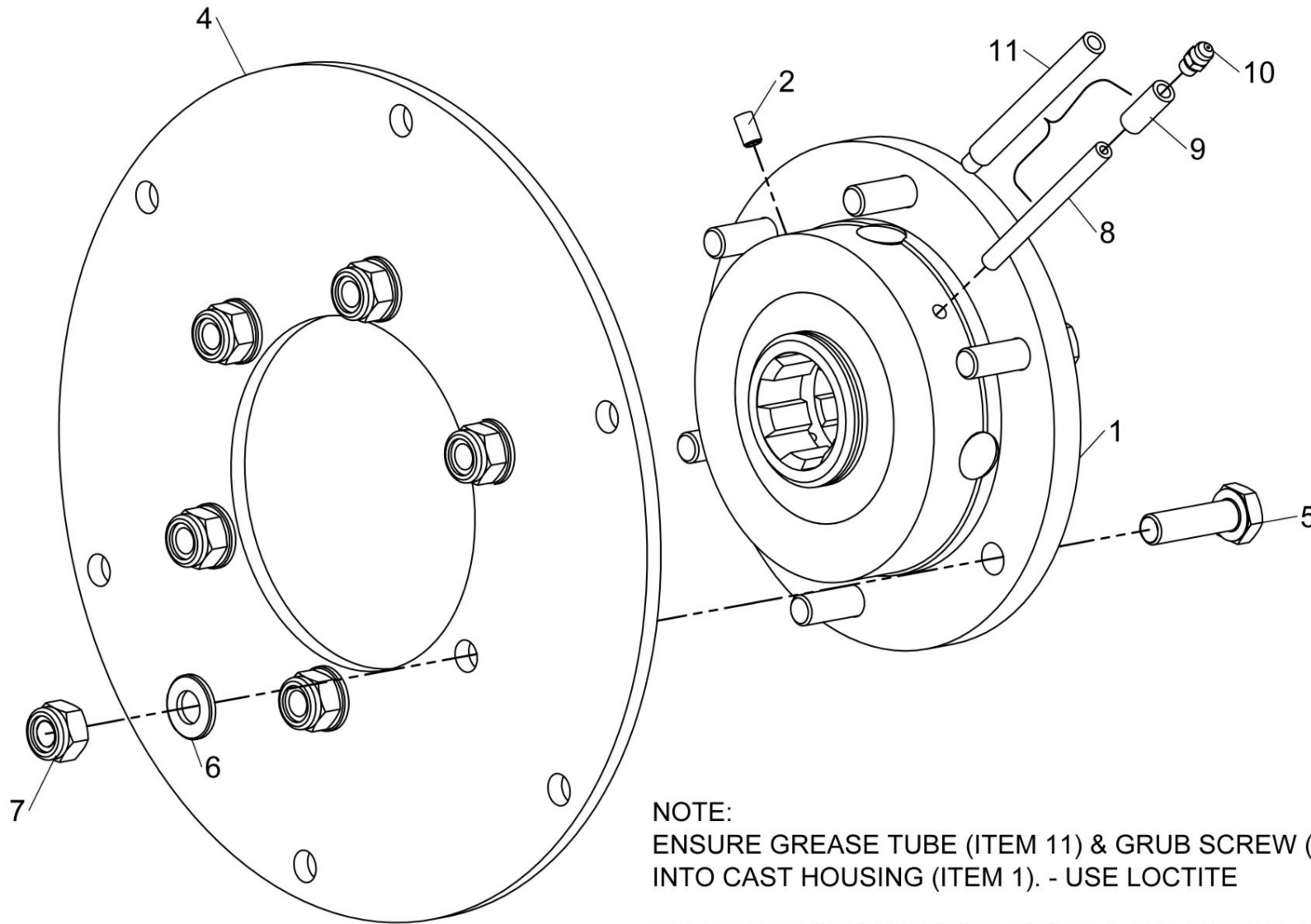


KIT-00931
Shelbourne
REYNOLDS

Shelbourne Reynolds Engineering Limited

| ASSY NUMBER: KIT-00976 | | | | ASSY DESCRIPTION: BALL JOINT CTR COUPLING | | | |
|------------------------|-----------|---|-----|---|---------|-------------|-----|
| ITEM | PART NO | DESCRIPTION | QTY | ITEM | PART NO | DESCRIPTION | QTY |
| 1 | 193114 01 | SPLINED BALL ASSY | 1 | | | | |
| OR | 193114P | SPARE SPLINED BALL ASSY (ALTERNATIVE TO 193114 01) | | | | | |
| 2 | SCW-4530 | GRUBSCREW | 1 | | | | |
| 3 | | | | | | | |
| 4 | 193106 01 | DRIVE RING PLATE | 1 | | | | |
| 5 | HSS-0198 | SETSCREW | 6 | | | | |
| 6 | WSH-0015 | PLAIN WASHER | 6 | | | | |
| 7 | NUT-0265 | NYLOC NUT | 6 | | | | |
| 8 | 193077 01 | GREASE PIPE (UPTO 2022) | 1 | | | | |
| 9 | 193078 01 | GREASE PIPE SLEEVE (UPTO 2022) | 1 | | | | |
| 10 | NIP-00600 | GREASE NIPPLE | 1 | | | | |
| 11 | 292226 01 | GREASE PIPE (2022 & ON) | 1 | | | | |
| | | SUPPLY IN PLACE OF ITEMS 8 & 9 | | | | | |

Shelbourne Reynolds Engineering Limited



NOTE:

ENSURE GREASE TUBE (ITEM 11) & GRUB SCREW (ITEM 2) ARE ASSEMBLED INTO CAST HOUSING (ITEM 1). - USE LOCTITE

THE ORIENTATION SHOWN IS FOR A R.H. ROTOR, SWAP ITEMS 2 & 11 FOR A LH ROTOR

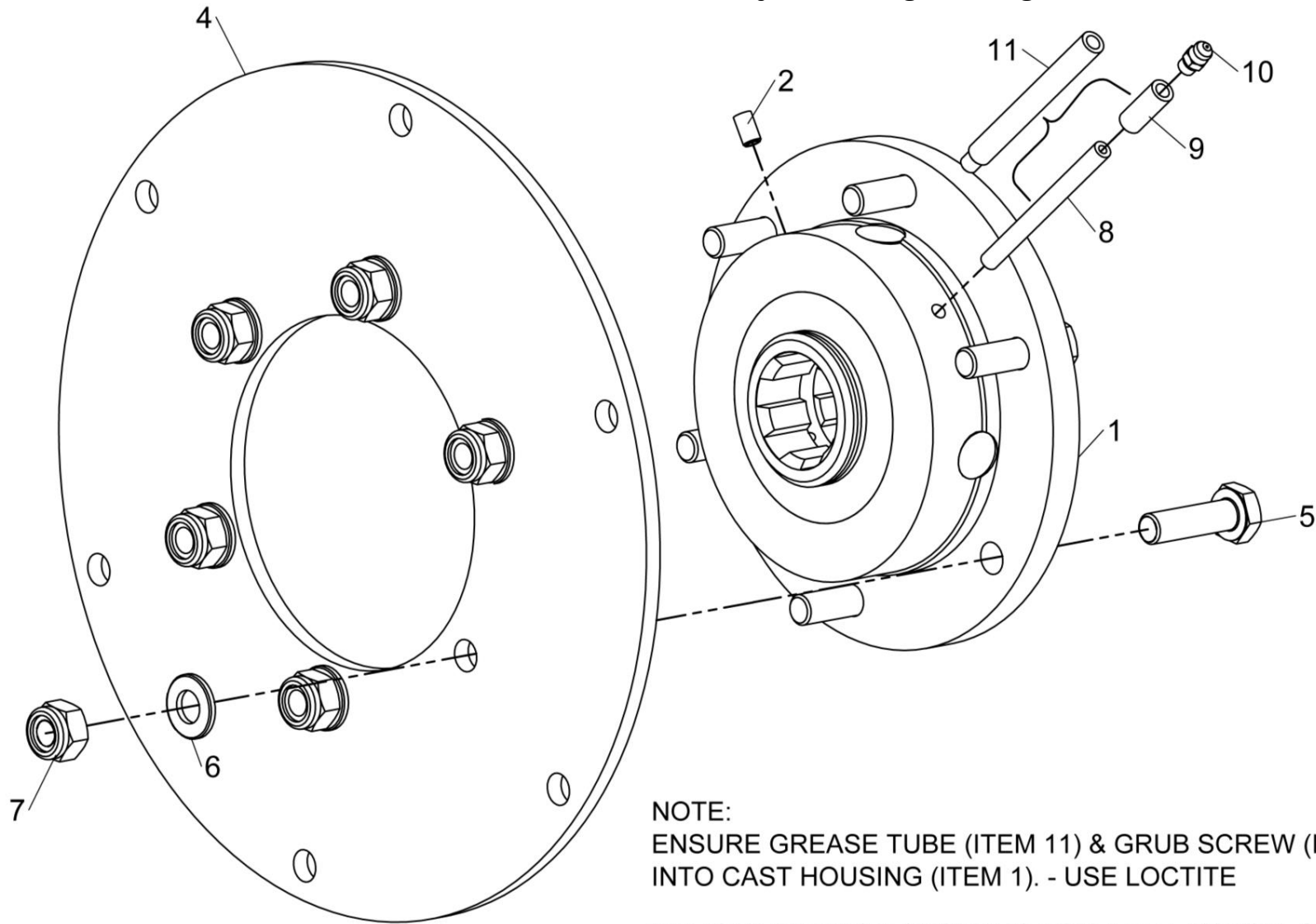
KIT-00976



Shelbourne Reynolds Engineering Limited

| ASSY NUMBER: KIT-00976A | | | | ASSY DESCRIPTION: BALL JOINT CTR COUPLING | | | |
|-------------------------|-----------|---|-----|---|---------|-------------|-----|
| ITEM | PART NO | DESCRIPTION | QTY | ITEM | PART NO | DESCRIPTION | QTY |
| 1 | 193114 05 | SPLINED BALL | 1 | | | | |
| OR | 193114P | SPARE SPLINED BALL ASSY (ALTERNATIVE TO 193114 01) | | | | | |
| 2 | | | | | | | |
| 3 | | | 1 | | | | |
| 4 | 193106 01 | DRIVE RING PLATE | | | | | |
| 5 | HSS-0198 | SETSCREW | 6 | | | | |
| 6 | WSH-0015 | PLAIN WASHER | 6 | | | | |
| 7 | NUT-0265 | NYLOC NUT | 6 | | | | |
| 8 | 193077 01 | GREASE PIPE (UPTO 2022) | 1 | | | | |
| 9 | 193078 01 | GREASE PIPE SLEEVE (UPTO 2022) | 1 | | | | |
| 10 | NIP-00600 | GREASE NIPPLE | 1 | | | | |
| 11 | 292226 01 | GREASE PIPE (2022 & ON) | 1 | | | | |
| | | SUPPLY IN PLACE OF ITEMS 8 & 9 | | | | | |

Shelbourne Reynolds Engineering Limited



NOTE:

ENSURE GREASE TUBE (ITEM 11) & GRUB SCREW (ITEM 2) ARE ASSEMBLED INTO CAST HOUSING (ITEM 1). - USE LOCTITE

THE ORIENTATION SHOWN IS FOR A R.H. ROTOR, SWAP ITEMS 2 & 11 FOR A LH ROTOR

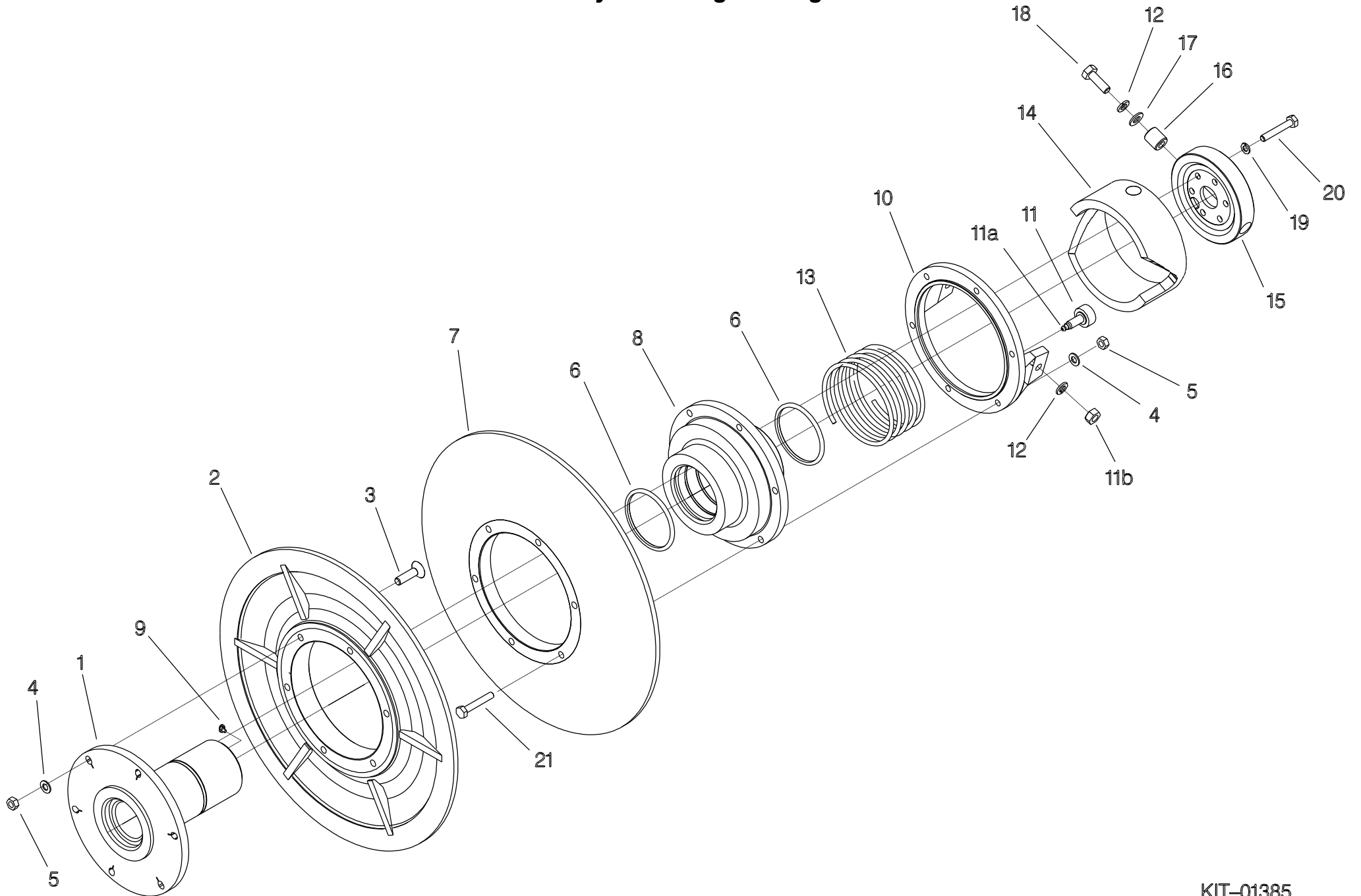
KIT-00976



Shelbourne Reynolds Engineering Limited

| ASSY NUMBER: KIT-01385 | | | | ASSY DESCRIPTION: ROTOR PULLEY ASSY (BOLT IN HUBS)2010 & ON | | | |
|------------------------|-----------|------------------------------|-----|---|---------|-------------|-----|
| ITEM | PART NO | DESCRIPTION | QTY | ITEM | PART NO | DESCRIPTION | QTY |
| 1 | 199349 01 | INNER PULLEY HUB | 1 | | | | |
| 2 | 198269 01 | INNER FRONT PULLEY | 1 | | | | |
| 3 | SCEA08353 | CSK.SOC HD SCREW | 6 | | | | |
| 4 | WSH-0012 | PLAIN WASHER | 12 | | | | |
| 5 | NUT-0263 | NYLOC NUT | 12 | | | | |
| 6 | ORA300750 | O RING | 2 | | | | |
| 7 | 198268 01 | OUTER FRONT PULLEY | 1 | | | | |
| 8 | 199409 01 | OUTER PULLEY HUB | 1 | | | | |
| 9 | NIP-00610 | GREASE NIPPLE | 1 | | | | |
| 10 | 198267 01 | CAM FOLLOWER BRACKET | 1 | | | | |
| 11 | 197640 01 | CAM FOLLOWER BEARING ASSY | 2 | | | | |
| 11a | KIT-01428 | SPARE GREASE ZERK/NIPPLE KIT | | | | | |
| 11b | KIT-01432 | SPARE NUT & WASHER KIT | | | | | |
| 12 | WSH-0061 | SPRING WASHER | 4 | | | | |
| 13 | SPGC00042 | SPRING (WHITE) | 1 | | | | |
| 14 | 194204 01 | CAM | 1 | | | | |
| 15 | 197522 02 | CAM CARRIAGE | 1 | | | | |
| 16 | 194202 01 | SLEEVE | 2 | | | | |
| 17 | 190119 11 | WASHER | 2 | | | | |
| 18 | HSS-0202 | SETSCREW | 2 | | | | |
| 19 | WSH-0058 | SPRING WASHER | 6 | | | | |
| 20 | HSSA08380 | SETSCREW (UP TO 2018) | 6 | | | | |
| OR | HSS-0155 | SETSCREW (2018 & ON) | 6 | | | | |
| 21 | BLTA08350 | HEX HEAD BOLT | 6 | | | | |

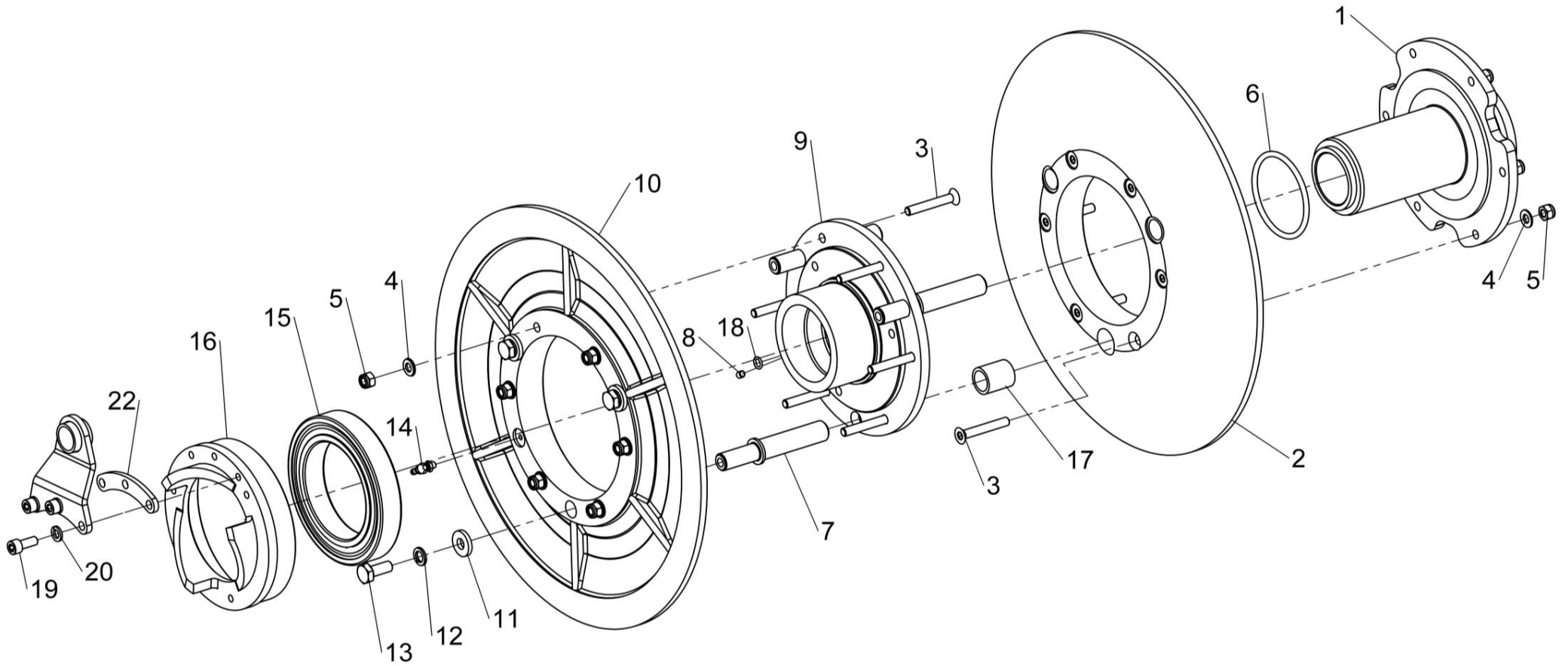
Shelbourne Reynolds Engineering Limited



KIT-01385

Shelbourne Reynolds Engineering Limited

| ASSY NUMBER: KIT-01386 | | | | ASSY DESCRIPTION: REAR PULLEY ASSY (BOLT IN HUBS) | | | |
|------------------------|---------------|-------------------|-----|---|---------|-------------|-----|
| ITEM | PART NO | DESCRIPTION | QTY | ITEM | PART NO | DESCRIPTION | QTY |
| 1 | 199350 01 | OUTER PULLEY HUB | 1 | | | | |
| 2 | 198270 01 | OUTER REAR PULLEY | 1 | | | | |
| 3 | SCEA08353 | CSK SCREW | 12 | | | | |
| 4 | WSH-0012 | PLAIN WASHER | 12 | | | | |
| 5 | NUT-0263 | NYLOC NUT | 12 | | | | |
| 6 | ORA300750 | O RING | 1 | | | | |
| 7 | 198274 02 | SPIGOT | 3 | | | | |
| 8 | SCW-4528 | GRUB SCREW | 1 | | | | |
| 9 | 199410 01 | INNER PULLEY HUB | 1 | | | | |
| 10 | 198271 01 | INNER PULLEY | 1 | | | | |
| 11 | 190119 11 | WASHER | 3 | | | | |
| 12 | WSH-0061 | SPRING WASHER | 3 | | | | |
| 13 | HSS-0191 | SETSCREW | 3 | | | | |
| 14 | NIP-00620 | GREASE NIPPLE | 1 | | | | |
| 15 | BRG-19500N | BEARING | 1 | | | | |
| 16 | 194970 01 | STATIC CAM | 1 | | | | |
| 17 | 291809 01 | BUSH (2021 & ON) | 3 | | | | |
| OR | BSHD02056 | BUSH (UPTO 2021) | 3 | | | | |
| 18 | ORA120080 | O RING | 1 | | | | |
| 19 | SCW-0133 | CAP HEAD SCREW | 3 | | | | |
| 20 | WSH-0058 | SPRING WASHER | 3 | | | | |
| 21 | SEE DRIVE SUB | STATIC CAM ARM | 1 | | | | |
| 22 | 197465 01 | CAM ARM SPACER | 1 | | | | |

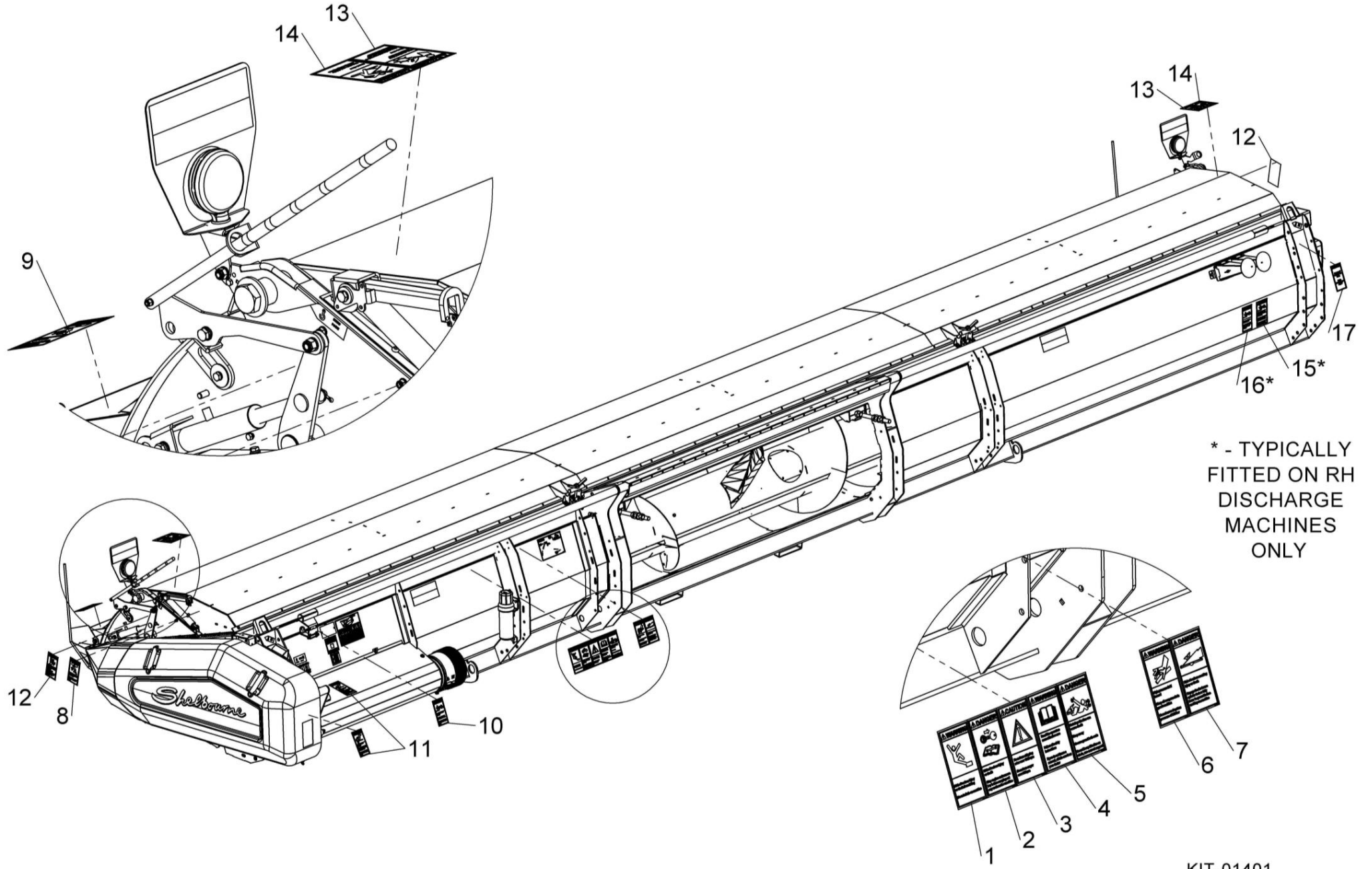


KIT-01386



Shelbourne Reynolds Engineering Limited

| ASSY NUMBER: KIT-01401 | | | | ASSY DESCRIPTION: SAFETY DECAL KIT NORTH AMERICA | | | |
|------------------------|-----------|------------------------------|-----|--|---------|-------------|-----|
| ITEM | PART NO | DESCRIPTION | QTY | ITEM | PART NO | DESCRIPTION | QTY |
| 1 | 198835 01 | EMBLEM - DO NOT CLIMB | 1 | | | | |
| 2 | 198840 01 | EMBLEM - STOP ENGINE | 1 | | | | |
| 3 | 198838 01 | EMBLEM - SPEED RESTRICTION | 1 | | | | |
| 4 | 199011 01 | EMBLEM - READ OPS MANUAL | 1 | | | | |
| 5 | 198842 01 | EMBLEM - ROTATING DRIVE LINE | 1 | | | | |
| 6 | 198832 01 | EMBLEM - HIGH PRESSUE FLUID | 1 | | | | |
| 7 | 198844 01 | EMBLEM - RISK OF CRUSHING | 1 | | | | |
| 8 | 198843 01 | EMBLEM - HOOD LOCK | 1 | | | | |
| 9 | 198836 01 | EMBLEM - CROP DEFLECTOR LOCK | 1 | | | | |
| 10 | 198839 01 | EMBLEM - AUGER | 1 | | | | |
| 11 | 198837 01 | EMBLEM - MOVING PARTS UNDER | 2 | | | | |
| 12 | 198833 01 | EMBLEM - CROP DEFLECTOR HAND | 2 | | | | |
| 13 | 198841 01 | EMBLEM - ROTOR KEEP AWAY | 2 | | | | |
| 14 | 198834 01 | EMBLEM - STAND CLEAR ROTOR | 2 | | | | |
| 15 | 291880 01 | EMBLEM - AUGER UNDER COVER | 1 | | | | |
| 16 | 291881 01 | EMBLEM - AUGER NO COVER | 1 | | | | |
| 17 | 291968 01 | EMBLEM - P65 | 1 | | | | |

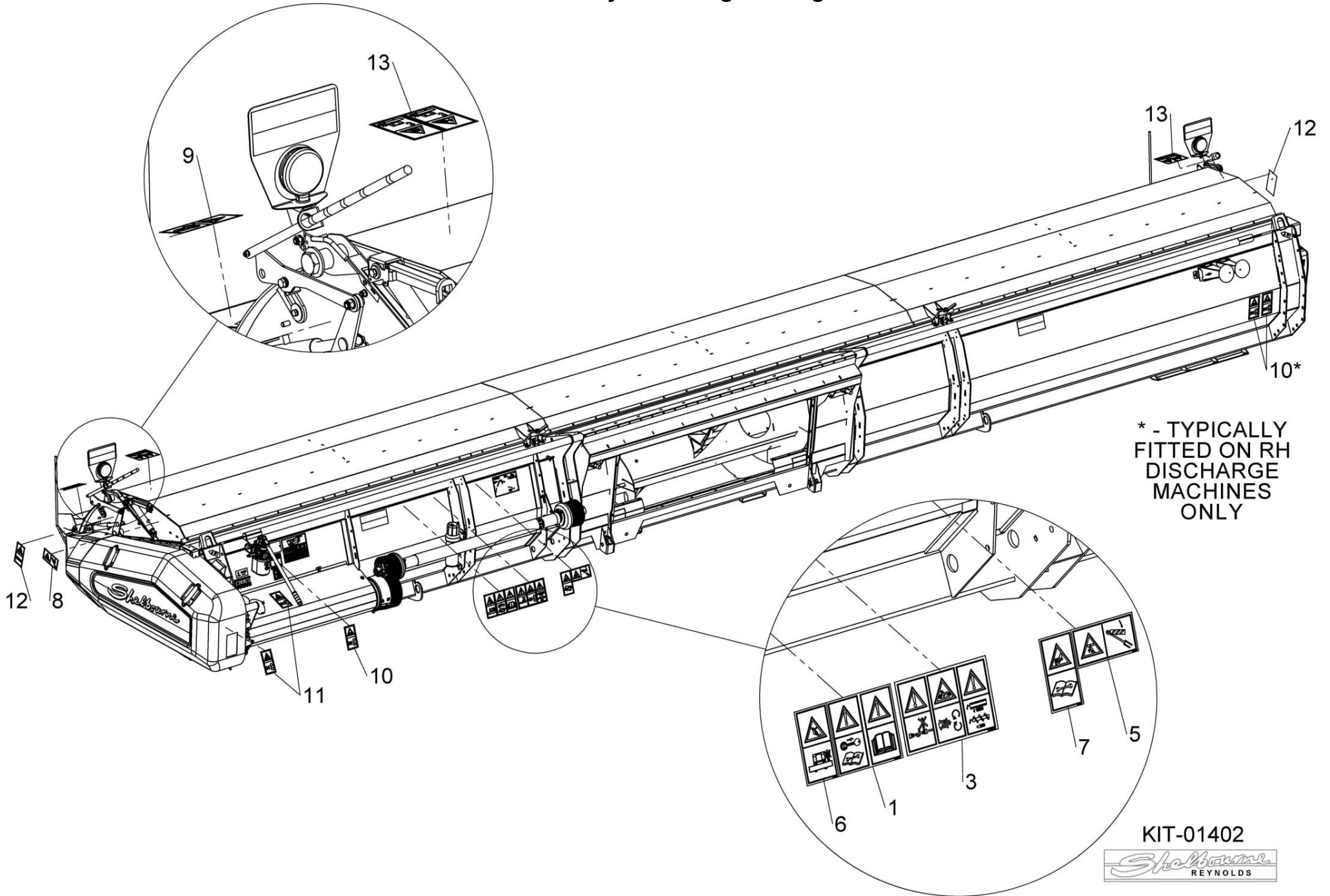


KIT-01401



Shelbourne Reynolds Engineering Limited

| ASSY NUMBER: KIT-01402 | | | | ASSY DESCRIPTION: SAFETY DECAL KIT ISO | | | |
|------------------------|-----------|--------------------------------|-----|--|---------|-------------|-----|
| ITEM | PART NO | DESCRIPTION | QTY | ITEM | PART NO | DESCRIPTION | QTY |
| 1 | TNF-0011 | EMBLEM - SAFETY MAINTENANCE | 1 | | | | |
| 2 | | OPERATORS MANUAL | | | | | |
| 3 | TNF-0012 | EMBLEM - PTO GUARDS | 1 | | | | |
| 4 | | ROTOR/AUGER SPEED PTO CHAIN | | | | | |
| 5 | 210435 01 | EMBLEM - FEEDER HOUSE LOCK | 1 | | | | |
| 6 | 198847 01 | EMBLEM - CLIMBING | 1 | | | | |
| 7 | 198846 01 | EMBLEM - HIGH PRESSURE OIL | 1 | | | | |
| 8 | 210435 01 | EMBLEM - HOOD LOCK | 1 | | | | |
| 9 | 198845 01 | EMBLEM - CROP DEFLECTOR LOCK | 1 | | | | |
| 10 | 193393 01 | EMBLEM - AUGER | 3 | | | | |
| 11 | 193392 01 | EMBLEM - MOVING PARTS UNDER | 2 | | | | |
| 12 | 800215 01 | EMBLEM - CROP DEFLECTOR HAND | 2 | | | | |
| 13 | TNF-0010 | EMBLEM - FLYING OBJECTS | 2 | | | | |
| 14 | | ROTOR ENTANGLEMENT | | | | | |



* - TYPICALLY
FITTED ON RH
DISCHARGE
MACHINES
ONLY

KIT-01402



Shelbourne Reynolds Engineering Limited

| ASSY NUMBER: KIT-01454 | | | | ASSY DESCRIPTION: VS DRIVE CAM & BEARING KIT, ALL YEARS | | | |
|------------------------|--------------|---|-----|---|-----------|-------------|-----|
| ITEM | PART NO | DESCRIPTION | QTY | ITEM | PART NO | DESCRIPTION | QTY |
| 1 | BRG-19500NC3 | BEARING | 2 | 20 | 292804 01 | PRESS RING | 1 |
| 2 | 292733 01 | STATIC CAM W/A | 1 | | | | |
| 3 | HSS-0150 | HEX HD SET SCREW | 2 | | | | |
| 4 | HSS-0316 | HEX HD SET SCREW | 1 | | | | |
| 5 | NUT-0263 | NYLOC NUT | 5 | | | | |
| 6 | WSH-0012 | PLAIN WASHER | 5 | | | | |
| 7 | WSHA30161 | LOCKWASHER | 1 | | | | |
| 8 | 292704 01 | ACTUATOR CAM W/A | 1 | | | | |
| 9 | 292695 01 | BEARING BOSS | 1 | | | | |
| 10a | 292709 01 | ACTUATOR BRKT XCV 2012 AND ON (ALL YEARS) & CVS 2018 & ON (PRE-ASSEMBLED) | 1 | | | | |
| OR | | | | | | | |
| 10b | 292740 02 | RH ACTUATOR BRKT (1 NOTCH) CVS & RVS 2001-2017 | 1 | | | | |
| 11a | 292710 01 | FOLDED ACTUATOR BRKT XCV 2012 AND ON (ALL YEARS) & CVS 2018 & ON (PRE-ASSEMBLED) | 1 | | | | |
| OR | | | | | | | |
| 11b | 292740 01 | LH ACTUATOR BRKT (1 NOTCH) CVS & RVS 2001-2017 | 1 | | | | |
| 12 | WSH-0019 | PLAIN WASHER | 1 | | | | |
| 13 | WSH-0018 | PLAIN WASHER | 1 | | | | |
| 14 | BLTA12350 | HEX HD BOLT | 1 | | | | |
| 15 | NUT-0270 | NYLOC NUT | 1 | | | | |
| 16a | 292737 01 | BOLT ON STATIC CAM PLATE XCV 2012 AND ON (ALL YEARS) & CVS 2018 & ON (PRE-ASSEMBLED) | 1 | | | | |
| OR | | | | | | | |
| 16b | 292739 01 | BOLT ON STATIC CAM (1 NOTCH) CVS & RVS 2007-2017 CVS & RVS 2001-2006, WITHOUT ROTOR GEARBOX | 1 | | | | |
| OR | | | | | | | |
| 16c | 292741 01 | STATIC CAM PLATE (2 NOTCHES) CVS & RVS 2001-2006, WITH ROTOR GEARBOX | 1 | | | | |
| 17 | 292736 01 | 3 BOLT SPACER | 1 | | | | |
| 18 | HSS-0153 | HEX HD SET SCREW | 3 | | | | |
| 19 | HSSA10500 | HEX HD SET SCREW | 3 | | | | |

FOR ASSEMBLY INFORMATION
SEE VS DRIVE CAM & BEARING INSTRUCTIONS.
INSTRUCTIONAL VIDEO CAN BE FOUND AT
www.shelbourne.com

TIPS TO ASSIST IDENTIFYING YOUR MACHINE MODEL AND YEAR:

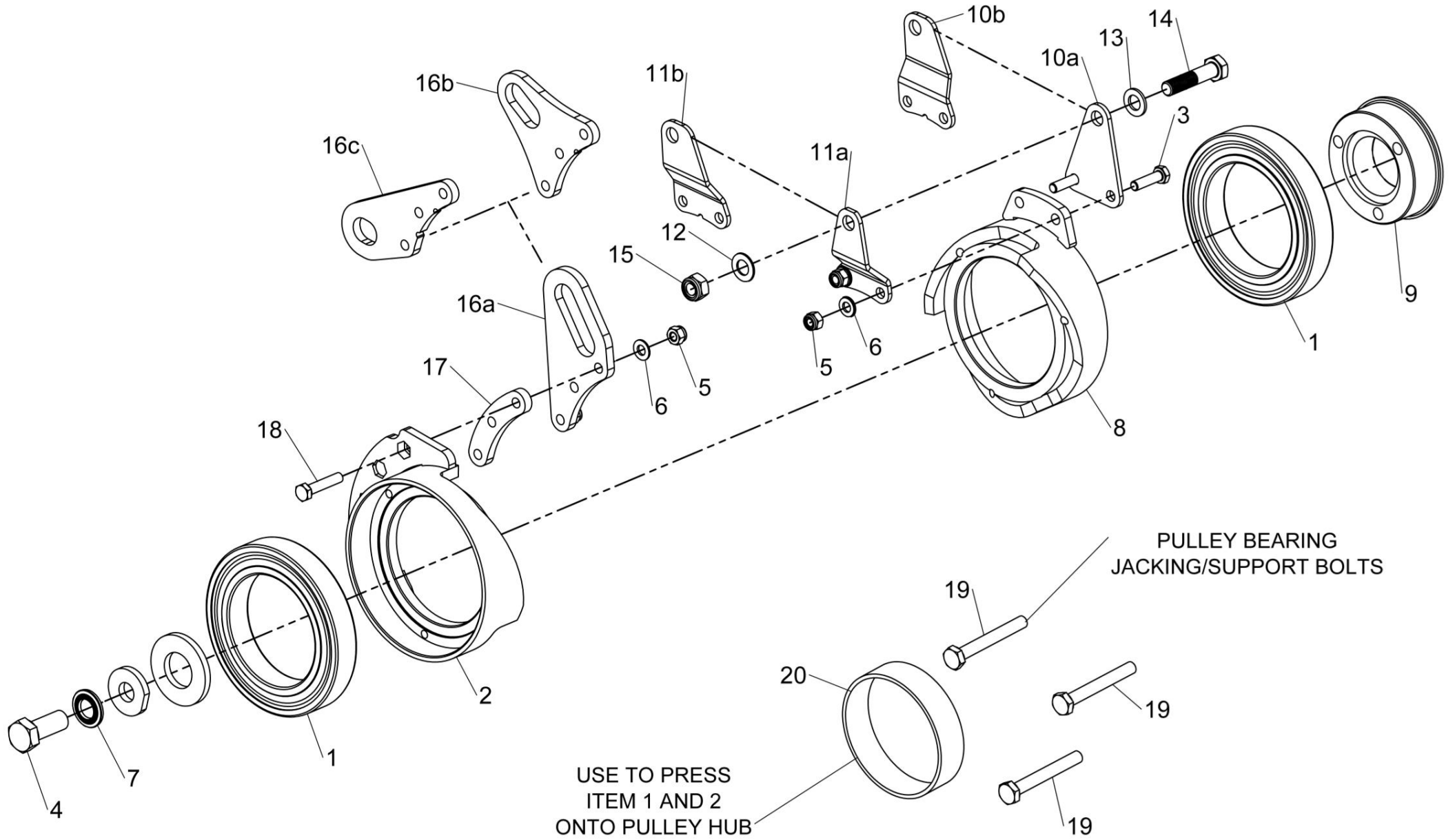
XCV- SPRUNG, PIVOTING ADAPTOR PLATE WITH GAUGE WHEELS AT REAR OF HEADER.
CVS & RVS - BOLTED ADAPTOR PLATE, BRACING TUBE ACROSS TOP OF MACHINE.

LOCATE SERIAL NUMBER ON THE REAR LH OR RH END OF THE MACHINE.

7 DIGIT SERIAL NUMBERS 2000-2009
EXAMPLE '2122843'
1ST 2ND & 3RD DIGITS ARE FACOTRY BUILD NUMBERS, 4TH & 5TH IS THE SIZE OF MACHINE IN FEET (28'), 6TH DIGIT IS A FACTORY MACHINE TYPE NUMBER & 7TH DIGIT IS YEAR OF MANUFACTURE (2003).

11 DIGIT SERIAL NUMBERS 2010 AND ON
EXAMPLE 'XCV42198964'
1ST, 2ND & 3RD LETTERS SHOW THE TYPE OF MACHINE (XCV), 4TH & 5TH DIGITS SHOW THE MACHINE SIZE (42'), 6TH & 7TH DIGIT SHOW THE MODEL YEAR (2019), REMAINING DIGITS ARE FACTORY BUILD NUMBERS.

Shelbourne Reynolds Engineering Limited



PULLEY BEARING
JACKING/SUPPORT BOLTS

USE TO PRESS
ITEM 1 AND 2
ONTO PULLEY HUB

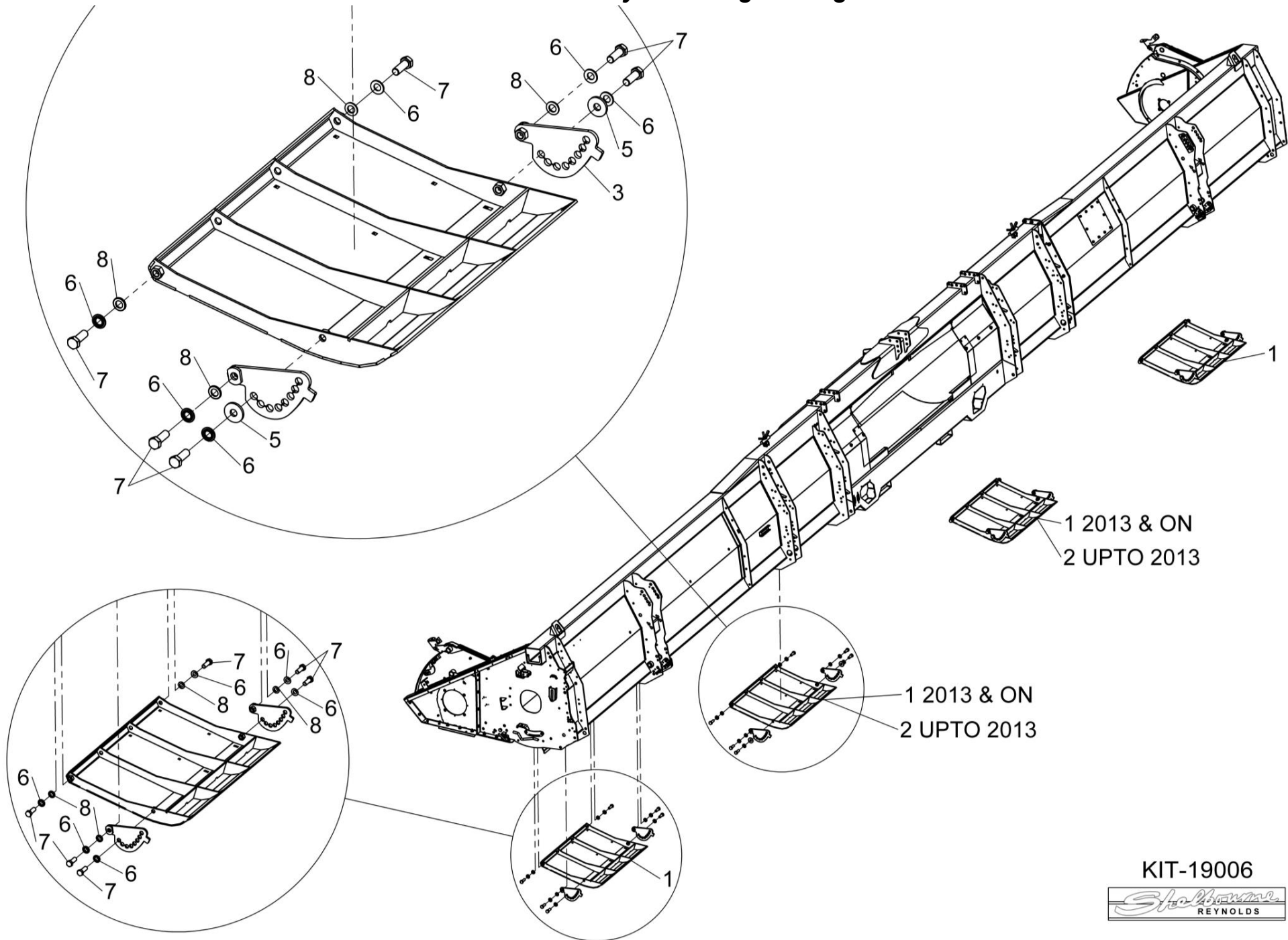
KIT-01454



Shelbourne Reynolds Engineering Limited

| ASSY NUMBER: KIT-19006 | | | | ASSY DESCRIPTION: SKID KIT | | | |
|------------------------|-----------|----------------------------|-----|----------------------------|---------|-------------|-----|
| ITEM | PART NO | DESCRIPTION | QTY | ITEM | PART NO | DESCRIPTION | QTY |
| 1 | 194395 01 | SKID ASSY (2013 & ON) | 4 | | | | |
| OR | 194395 01 | SKID ASSY (UPTO 2013) | 2 | | | | |
| 2 | 198703 01 | SKID W/A (UPTO 2013) | 2 | | | | |
| 3 | 193828 01 | SKID ADJUSTER LH | 4 | | | | |
| 4 | 193828 02 | SKID ADJUSTER RH | 4 | | | | |
| 5 | 190119 07 | WASHER (UPTO 2015) | 8 | | | | |
| 6 | WSHA30161 | LOCK WASHER (2019 & ON) | 24 | | | | |
| OR | WSH-0070 | SPRING WASHER (UP TO 2019) | 24 | | | | |
| 7 | HSS-0317 | SETSCREW | 24 | | | | |
| 8 | WSH-0024 | PLAIN WASHER (2015-2018) | 24 | | | | |
| OR | WSH-0024 | PLAIN WASHER (UPTO 2015) | 16 | | | | |

Shelbourne Reynolds Engineering Limited

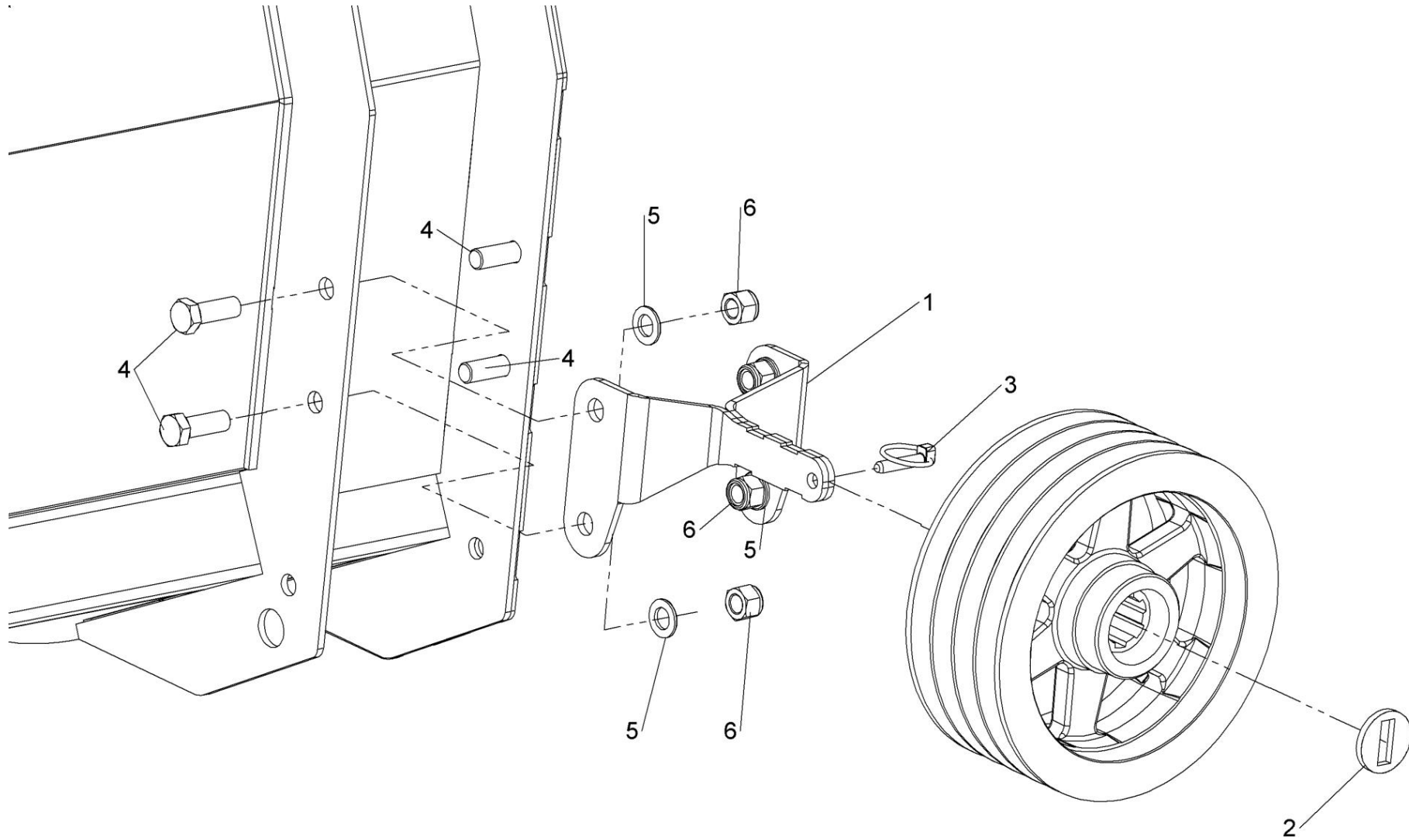


KIT-19006



Shelbourne Reynolds Engineering Limited

| ASSY NUMBER: KIT-19010 | | | | ASSY DESCRIPTION: SPARE PULLEY MOUNTING KIT | | | |
|------------------------|-----------|---------------------|-----|---|---------|-------------|-----|
| ITEM | PART NO | DESCRIPTION | QTY | ITEM | PART NO | DESCRIPTION | QTY |
| 1 | 198738 01 | PULLEY MOUNTING W/A | 1 | | | | |
| 2 | 197212 01 | WASHER | 1 | | | | |
| 3 | PIN-01950 | LYNCH PIN | 1 | | | | |
| 4 | HSS-0317 | SET SCREW | 4 | | | | |
| 5 | WSH-0024 | PLAIN WASHER | 4 | | | | |
| 6 | NUT-0271 | NYLOC NUT | 4 | | | | |

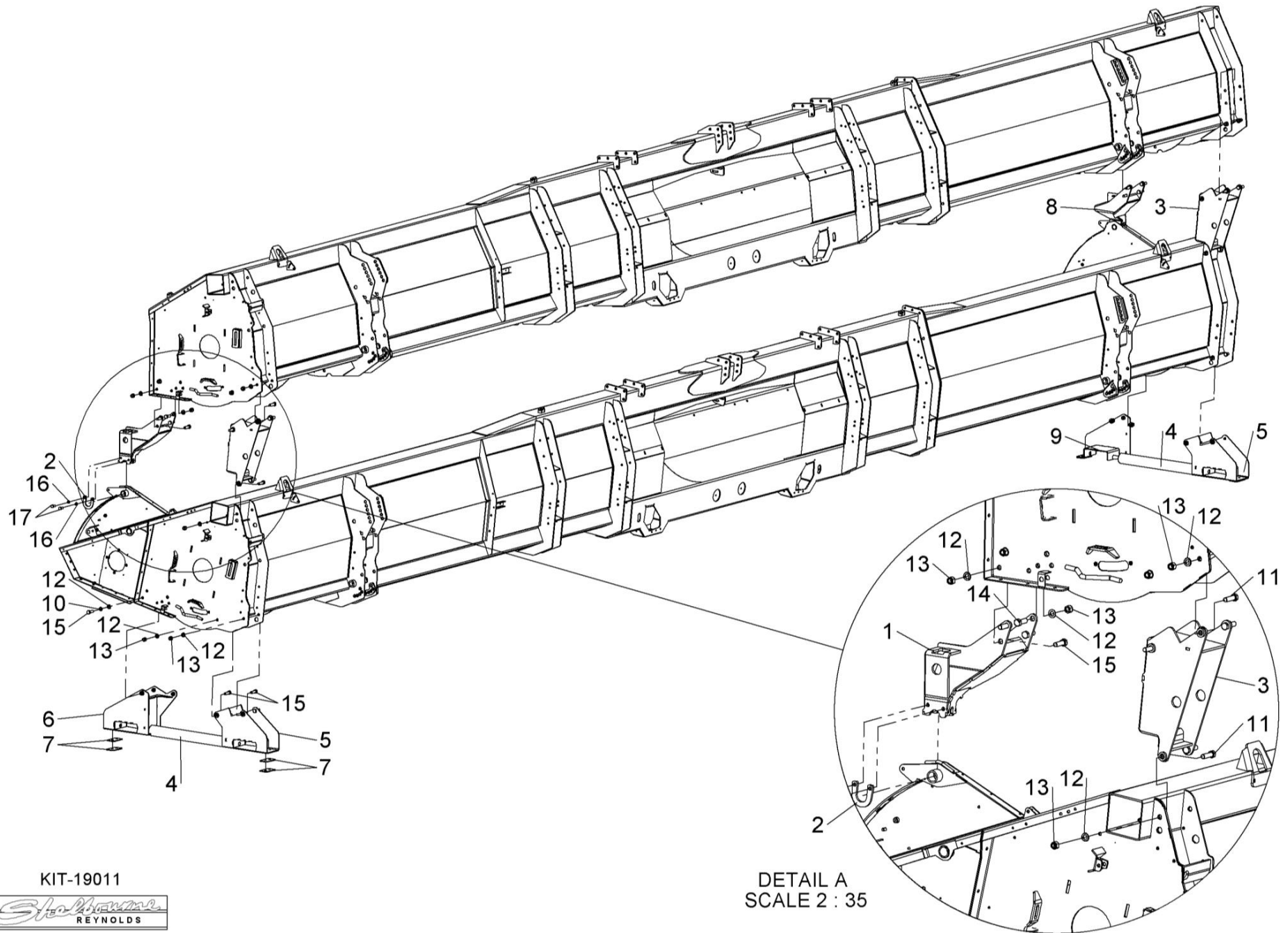


kit-19010



Shelbourne Reynolds Engineering Limited

| ASSY NUMBER: KIT-19011 | | | | ASSY DESCRIPTION: 36' STACKER KIT | | | |
|------------------------|------------|--------------------------------|-----|-----------------------------------|---------|-------------|-----|
| ITEM | PART NO | DESCRIPTION | QTY | ITEM | PART NO | DESCRIPTION | QTY |
| 1 | 198416 01 | UPPER FRONT DRV.END SUPT.W/ASS | 1 | | | | |
| 2 | 197266 01 | CLAMP PLATE | 2 | | | | |
| 3 | 198418 01 | REAR STACKER W/ASSY | 2 | | | | |
| 4 | 198461 01A | ROLLER ASSY | 2 | | | | |
| 5 | 198421 01 | REAR DRIVE END SUPPORT W/ASSY | 2 | | | | |
| 6 | 198422 01 | FRONT DRIVE END SUPPORT W/ASSY | 1 | | | | |
| 7 | 197341 01 | PLATE | 8 | | | | |
| 8 | 198416 02 | UPPER FRONT IDLE.END SUPT.W/AS | 1 | | | | |
| 9 | 198422 02 | FRONT IDLE END SUPPORT W/ASSY | 1 | | | | |
| 10 | WSH-0070 | SPRING WASHER | 6 | | | | |
| 11 | HSS-0319 | SET SCREW | 11 | | | | |
| 12 | WSH-0024 | PLAIN WASHER FORM A | 33 | | | | |
| 13 | NUT-0271 | NYLOC NUT | 27 | | | | |
| 14 | HSS-0317 | SET SCREW | 4 | | | | |
| 15 | HSS-0318 | SET SCREW | 18 | | | | |
| 16 | WSH-0065 | SPRING WASHER | 4 | | | | |
| 17 | HSS-0238 | BOLT | 4 | | | | |



KIT-19011

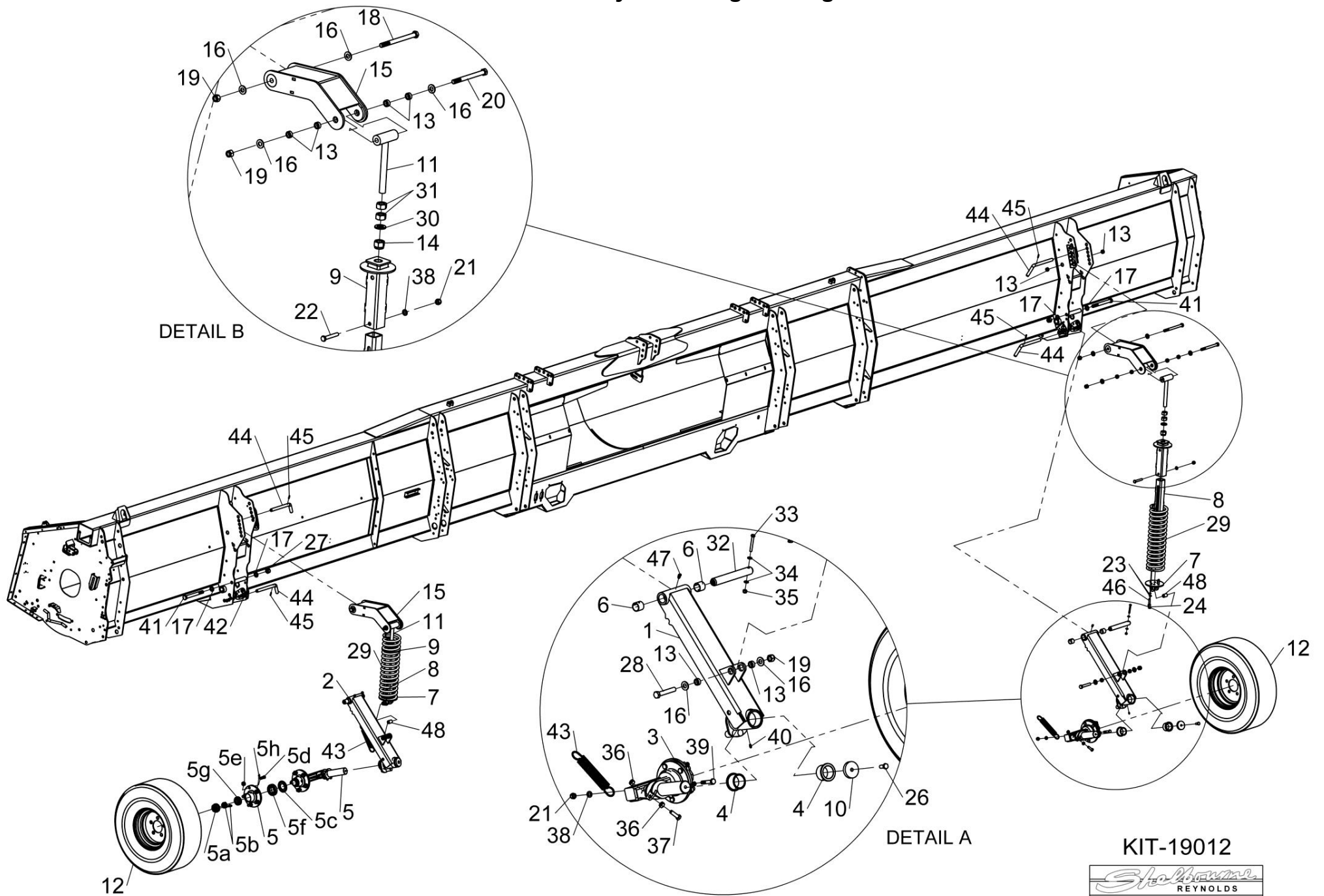


DETAIL A
SCALE 2 : 35

Shelbourne Reynolds Engineering Limited

| ASSY NUMBER: KIT-19012 | | | | ASSY DESCRIPTION: GAUGE WHEEL KIT (UPTO 2014) | | | |
|------------------------|-----------|-------------------------|-----|---|-----------|----------------------------|-----|
| ITEM | PART NO | DESCRIPTION | QTY | ITEM | PART NO | DESCRIPTION | QTY |
| 1 | 198665 01 | GAUGE WHEEL ARM W/A | 1 | 25 | WSH-0065 | SPRING WASHER | 2 |
| 2 | 198665 02 | GAUGE WHEEL ARM W/A L.H | 1 | 26 | HSS-0238 | BOLT | 2 |
| 3 | 198884 01 | LH CASTER AXLE W/A | 1 | 27 | NUTA02200 | NYLOC NUT | 2 |
| 3a | AXL-10035 | HUB CAP | (1) | 28 | BLT-2320 | HEX.HEAD BOLT | 2 |
| 3b | AXL-12591 | CROWN NUT & SPRING CLIP | (1) | 29 | SPGC00099 | COMPRESSION SPRING | 2 |
| 3c | AXL-12010 | OIL SEAL | (1) | 30 | WSH-0036 | PLAIN WASHER | 2 |
| 3d | AXL-15501 | STUD | (5) | 31 | NUT-0190 | PLAIN NUT | 4 |
| 3e | AXL-12525 | WHEEL NUT | (5) | 32 | 198875 01 | PIVOT PIN | 2 |
| 3f | BRG-14540 | INNER BEARING | (1) | 33 | BLTA08410 | HEX.HEAD BOLT | 2 |
| 3g | BRG-13040 | OUTER BEARING | (1) | 34 | WSH-0012 | PLAIN WASHER | 4 |
| 3h | NIP-00800 | GREASE NIPPLE | (1) | 35 | NUT-0263 | NYLOC NUT | 2 |
| 4 | BSHE05062 | FLANGED BRONZE BUSH | 4 | 36 | NUT-0170 | PLAIN NUT | 4 |
| 5 | 198884 02 | RH CASTER AXLE W/A | 1 | 37 | HSS-0250 | SET SCREW | 2 |
| 5a | AXL-10035 | HUB CAP | (1) | 38 | WSH-0018 | PLAIN WASHER | 4 |
| 5b | AXL-12591 | CROWN NUT & SPRING CLIP | (1) | 39 | BLTA12440 | HEX HD BOLT | 2 |
| 5c | AXL-12010 | OIL SEAL | (1) | 40 | NIP-00600 | GREASE NIPPLE (STRAIGHT) | 2 |
| 5d | AXL-15501 | STUD | (5) | 41 | BLTA20830 | HEX HEAD BOLT | 2 |
| 5e | AXL-12525 | WHEEL NUT | (5) | OR | BLTA12810 | HEX HEAD BOLT | 2 |
| 5f | BRG-14540 | INNER BEARING | (1) | 42 | 199303 01 | ARM HEIGHT STOP (26mm DIA) | 2 |
| 5g | BRG-13040 | OUTER BEARING | (1) | OR | 198940 01 | ARM HEIGHT STOP (19mm DIA) | 2 |
| 5h | NIP-00800 | GREASE NIPPLE | (1) | 43 | SPGA53651 | EXTENSION SPRING | 2 |
| 6 | BSH-3030 | BUSH | 4 | 44 | 199089 01 | PIN (2012 & ON) | 4 |
| 7 | 198863 01 | SPRING MOUNTING BRACKET | 2 | OR | 198950 01 | PIN W/A (UPTO 2012) | 4 |
| 8 | 198871 01 | LOWER SPRING TUBE W/A | 2 | 45 | PIN-1921 | ROLL PIN (2012 & ON) | 4 |
| 9 | 198865 01 | UPPER SPRING TUBE W/A | 2 | OR | PIN-01601 | LYNCH PIN (UPTO 2012) | 4 |
| 10 | 198800 33 | WASHER | 2 | 46 | HSS-0210 | SET SCREW | 4 |
| 11 | 198683 01 | SPRING ADJUSTER W/A | 2 | 47 | NIP-00610 | GREASE NIPPLE (45 DEG) | 2 |
| 12 | WHL-01210 | WHEEL & TYRE ASSY | 2 | 48 | 199457 01 | SPACER TUBE | 2 |
| 13 | 190548 99 | WASHER | 16 | | | | |
| 14 | NUT-0275 | NYLOC NUT | 2 | | | | |
| 15 | 198936 01 | TOP ARM W/A | 2 | | | | |
| 16 | 20705061 | PLAIN WASHER (FORM C) | 12 | | | | |
| 17 | WSH-0030 | PLAIN WASHER | 4 | | | | |
| 18 | BLT-2350 | HEX HEAD BOLT | 2 | | | | |
| 19 | NUT-0271 | NYLOC NUT | 6 | | | | |
| 20 | BLTA16770 | BOLT | 2 | | | | |
| 21 | NUT-0269 | NYLOC NUT | 4 | | | | |
| 22 | BLTA12500 | HEX.HEAD BOLT | 2 | | | | |
| 23 | WSH-0061 | SPRING WASHER | 8 | | | | |
| 24 | HSS-0191 | SET SCREW | 4 | | | | |

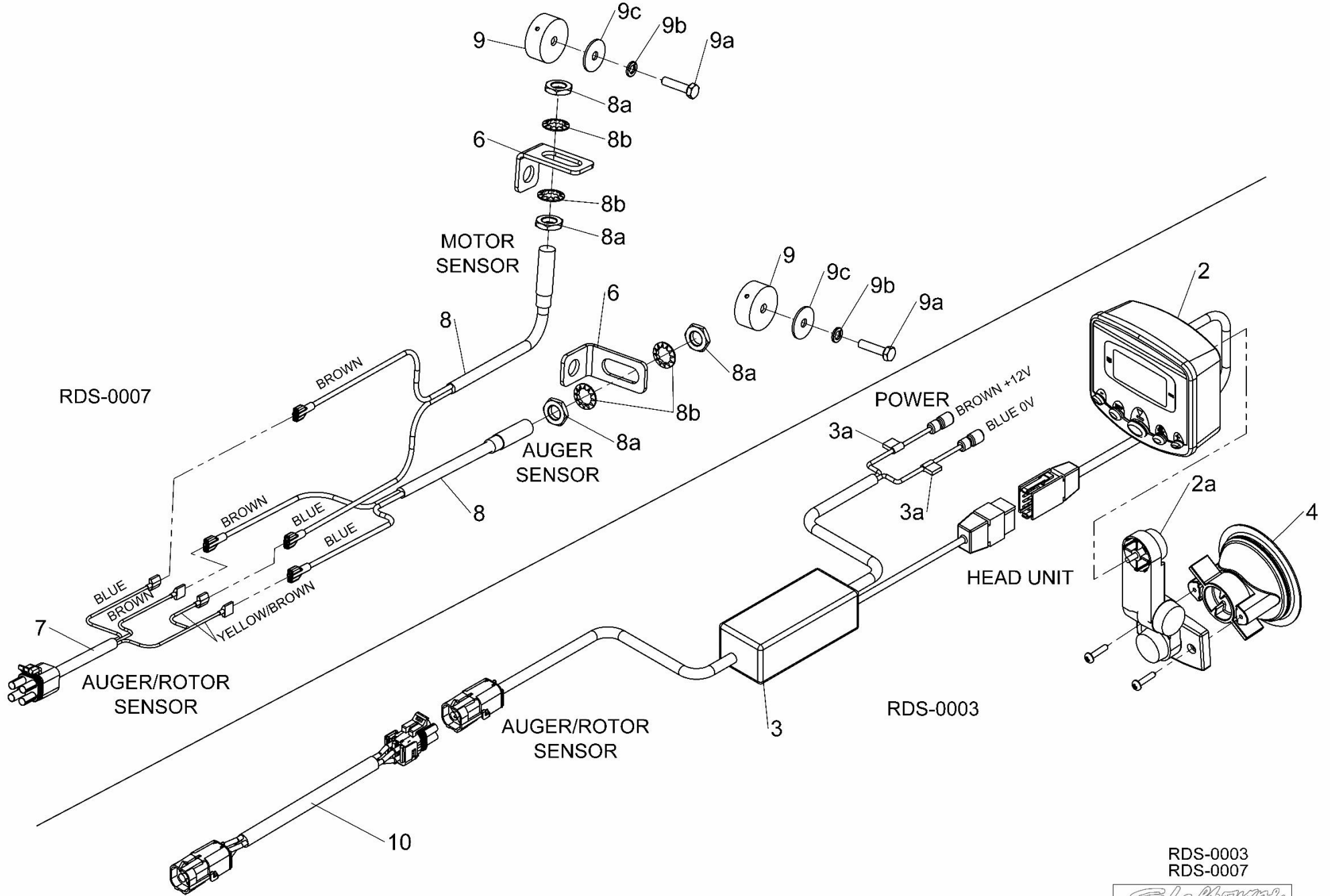
Shelbourne Reynolds Engineering Limited



Shelbourne Reynolds Engineering Limited

| ASSY NUMBER: RDS-0003 & RDS-0007 | | | | ASSY DESCRIPTION: RDS EQUIPMENT STEPPED DRIVE | | | |
|----------------------------------|-----------|--|-----|---|---------|-------------|-----|
| ITEM | PART NO | DESCRIPTION | QTY | ITEM | PART NO | DESCRIPTION | QTY |
| 1 | RDS-0003 | COMBINE TACHO HEAD KIT & LOOM STEP DRIVE, INC ITEMS 2 & 3 | 1 | | | | |
| 2 | RDS-0027 | TACHO HEAD, INC ITEM 2a | 1 | | | | |
| 2a | RDS-0029 | TACHO HEAD FIX.ARM KIT | | | | | |
| 3 | RDS-0030 | COMBINE LEAD (RSD) | 1 | | | | |
| 3a | FUS-0022 | FUSE (2 AMP BLADE) | | | | | |
| 4 | LCL-01249 | RAM MOUNT SUCTION CUP | 1 | | | | |
| 5 | RDS-0007 | HEADER LOOM & SENSOR KIT (SD) INC ITEMS 6,7,8 & 9 | 1 | | | | |
| 6 | 198323 01 | SENSOR BRACKET (SLOTTED) | 2 | | | | |
| 7 | RDS-0017 | HEADER LEAD | 1 | | | | |
| 8 | RDS-0018 | SHAFT SENSOR, INC ITEMS 8a & 8b | 2 | | | | |
| 8a | RDS-0018A | PLAIN NUT | | | | | |
| 8b | WSHA20121 | SHAKEPROOF WASHER | | | | | |
| 9 | RDS-0020 | MAGNET CARRIER | 2 | | | | |
| 9a | HSS-0088 | SET SCREW | | | | | |
| 9b | WSH-0056 | SPRING WASHER | | | | | |
| 9c | WSH-1036 | PENNY WASHER | | | | | |
| 10 | 291913 01 | AUGER/ROTOR SENSOR LOOM EXTENSION (8m) | A/R | | | | |

Shelbourne Reynolds Engineering Limited



RDS-0003
RDS-0007

