

Shelbourne

REYNOLDS

800 SERIES

PARTS MANUAL



POWERBLADE

Shelbourne Reynolds Engineering Ltd
Stanton
Bury St Edmunds
Suffolk
IP31 2AR
England

Telephone: 01359 250415
Fax: 01359 250464

Stores Direct : 01359 251231
Stores Direct: 01359 252031

Issue 14 07/11/2023

www.shelbourne.com



 YouTube

ORDERING SPARE PARTS

IMPORTANT

Your Powerblade is made up of a Machine assembly number (common parts), specific sub assemblies and also customer optional build kits. The machine, sub assemblies and optional kit numbers are listed in the front pages of your Operators manual, part no. MAN-10004.

If you do not have these numbers please contact Shelbourne Reynolds Parts Department direct on (telephone) 01359 251231.

To ensure that you order the correct part from your SRE dealer please use the following procedure.

ALWAYS QUOTE THE MACHINE AND SERIAL NUMBERS WHEN ORDERING.

Refer to the Parts Manuals front page/s, listing the machine assemblies. Select the correct machine assembly number which is printed in the top left corner of the page (starting with 8099__ 01), This machine number can also be taken off the Powerblade identification plate located on the front of the main chassis beam.

On this page you will find the parts listing for the common parts for every configuration of that machine assembly number.

You will find the corresponding drawing by either looking at the facing page or progressing through the manual to the next drawing.

The drawings indicate the components by item numbers, which you will find, are repeated in the left-hand side of your parts listing, and therefore referring to the correct part.

Note all parts will not be found listed below the machine number. Other parts will be from specific sub assemblies and optional kits. These sub assemblies and kits will be found in numerical order further through the manual.

Sub assemblies start with 8090__ 01 and kits start with KIT- _____.

List Of Kit Numbers

809902 01	1.2m Head LH Drive	6
809902 02	1.5M Head LH Drive	8
809902 04	1.2m Head RH Drive (Inboard)	10
809902 05	1.5m Head RH Drive (Inboard)	12
809912 01	Trimmer Assembly	14
809913 01	1.2m Head Assembly LH Drive	16
809913 02	1.2m Head Assembly RH Drive	18
809010 01	Drive And Flail Mounting Assembly	20
809010 01A	1.5m Flail Mounting And Drive Sub Assembly	22
809010 01BG	Flail Mounting And Drive Sub Assembly	24
809010 01R	Flail Mounting And Drive Sub Assembly	26
809025 01	Main Frame Sub Assembly	29
809027 01	Tank Assembly	33
809028 01	Flail Mounting And Drive Sub Assembly	36

Kit Options

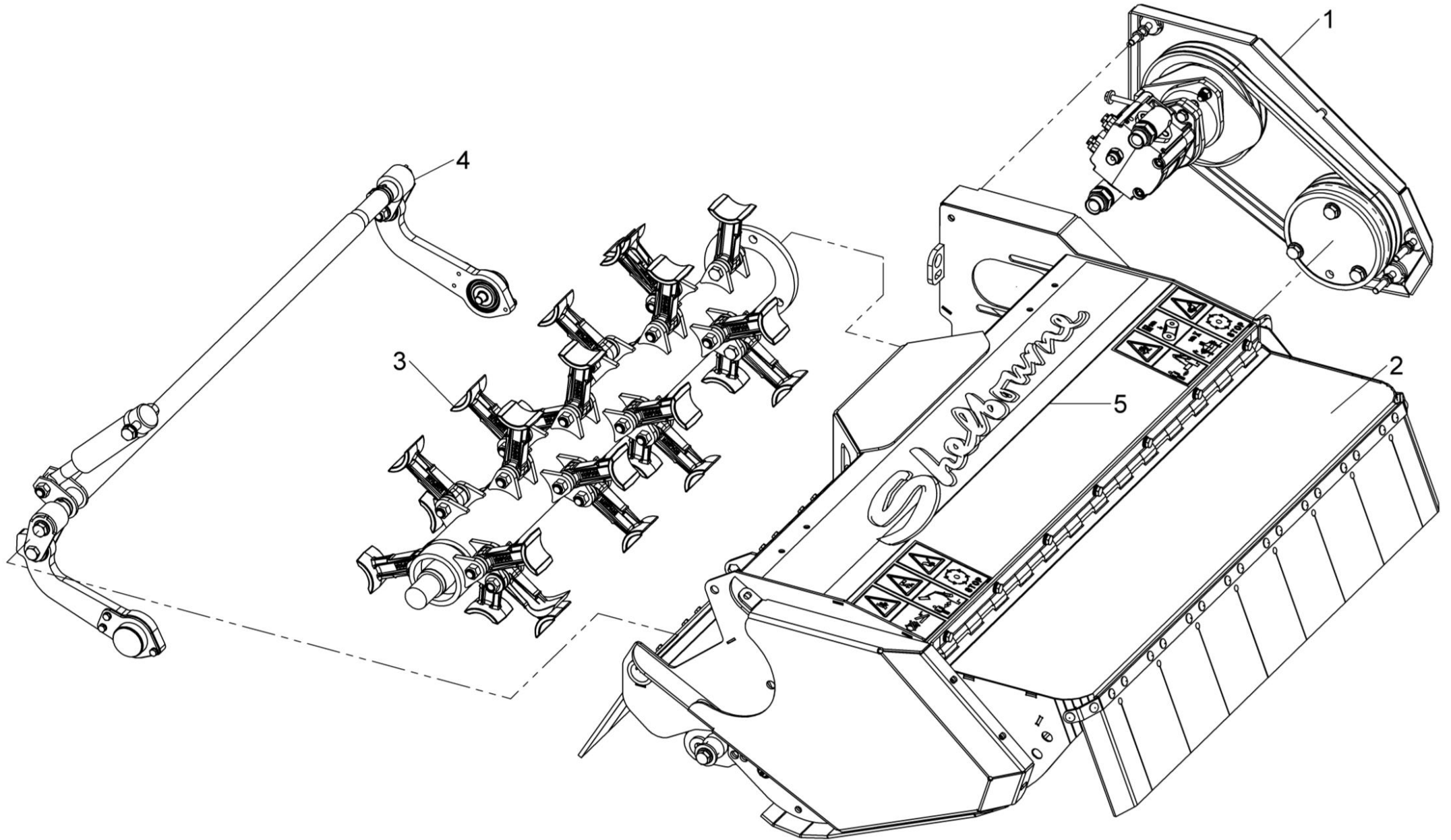
39

KIT-08000	1.2m Flail Assembly	40
KIT-08001	1.5m Flail Assembly	42
KIT-08176	Hydraulic Adjustable Roller	44
KIT-08177	1.2m Head Shell, Nose And Roller	46
KIT-08178	1.5m Head Shell, Nose And Roller	48
KIT-08226	1.2m Head Shell, Nose And Roller (Verge Mowing)	50
KIT-08227	Valves And Controls	52
803990 01	VFRT2 Electronic Joystick Unit	54
803991 01	VFRT2 Machine End Electronics	56
HVB-19120	Rotor Control Valve	58
HVB-19145	Valve Block Cylinders	60
KIT-08228	HD860T Telescopic Outer Boom Kit	62
KIT-08229	HD870T Telescopic Outer Boom Kit	68
KIT-08230	HD880T Telescopic Outer Boom Kit	72
KIT-08231	8.0m Inner Boom Kit	76
KIT-08237	3 Point Linkage Stabiliser Kit	78
KIT-08239	Stabilisers Axle Mounting	80
KIT-08240	6.0m Inner Boom Kit	82
KIT-08241	7.0m Inner Boom Kit	84
KIT-08242	HD865 VFRT Outer Boom Kit	86
KIT-08243	HD875 VFRT Outer Boom Kit	92
KIT-08244	Transfer Kit	98
KIT-08245	Hydraulics For Adjustable Roller Kit	100
KIT-08246	Blower Kit	102
KIT-08249	1.2m Head Hydraulics for VFRT	104
KIT-08250	1.5m Head Hydraulics for VFRT	108

KIT-08259	1.2m Head Hydraulics For Telescopic	112
KIT-08260	1.5m Head Hydraulics For Telescopic	116
KIT-08265	Highways Kit	120
KIT-08272	Twin Accumulator Kit	122
KIT-08277	Head Hydraulic Nose Kit	124
KIT-08279	1.2m Narrow Land Bracket	126
KIT-08284	Drawbar Kit	128
KIT-08296	1.2m Head Hydraulics VFRT	130
KIT-08297	1.2m Head Hydraulics Tele	132
KIT-08299	1.5m Head Hydraulics VFRT	134
KIT-08300	1.5m Head Hydraulics Tele	136
KIT-08321	Standard Drive Kit	138
KIT-08322	540rpm Higher Power Drive Kit	140
KIT-08323	800rpm Higher Drive Kit	142
KIT-08341	540rpm Higher Power Drive Kit	144
KIT-08352	Sub Assy Trimmer Blower kit	146
KIT-08383	Highways Kit (800 Series)	148
KIT-08383A	Highways Kit with Debris Blower	148
KIT-08401	HD Trimmer Blower Kit	150
KIT-08404	HD800 Highways Kit	152
KIT-08404A	HD800 Highways Kit with Debris Blower	152
KIT-08407	HC NLB For HD800/8000	154
KIT-08407A HYD	HC1200 Head Motor HYD (NLB For 7060, 7056, 800 & 8000 Tele)	156
KIT-08407B HYD	HC1600 Head Motor HYD (NLB For 7060T, 7056, 800 & 8000 Tele)	158
KIT-08407C HYD	HC1200 Head Motor HYD (NLB For 800 & 8000 VFRT)	160
KIT-08407D HYD	HC1600 Head Motor HYD (NLB For 800 & 8000 VFRT)	162
KIT-08409	Head Mount Kit	164
KIT-08413	Pivot Shoe Kit HD Head	166
KIT-08448E HYD	Head Link Hose Kit (HC Head for 800 & 8000 Tele)	168
KIT-08448F HYD	Head Link Hose Kit (HC Head for 800 & 8000 VFRT)	170
KIT-08448G HYD	Head Link Hose Kit (RH HC Head for 800 & 8000 VFRT)	172
KIT-08448H HYD	Head Link Hose Kit (RH HC Head for 800 & 8000 Tele)	174
GEA-0183	Gearbox	176

Shelbourne Reynolds Engineering Limited

ASSY NUMBER: 809902 01				ASSY DESCRIPTION: 1.2 M HEAD ASSY, COMPLETE (LH DRIVE HEAD)			
ITEM	PART NO	DESCRIPTION	QTY	ITEM	PART NO	DESCRIPTION	QTY
1	809028 01	FLAIL MTG. & DRIVE SUB ASSY (PBXXX170760 & ON)	1				
OR	809010 01	FLAIL MTG. & DRIVE SUB ASSY (UP TO PBXXX170760)	1				
OR	809010 01BG	FLAIL MTG & DRIVE SUB ASSY BLUE & GREY (UP TO	1				
2	KIT-08177	1.2Mt HEAD (LH/OUTBOARD DRIVE) 2013 & ON	1				
OR	KIT-08177BG	1.2Mt HEAD (LH/OUTBOARD DRIVE) BLUE & GREY	1				
OR	KIT-08118	1.2Mt HEAD (LH/OUTBOARD DRIVE) UPTO 2013	1				
3	KIT-08000D	T FLAIL ASSY (1.2M) DROP (2018 & ON)	1				
OR	KIT-08000A	T FLAIL ASSY (CAST) (1.2M) (2013 UP TO 2018)	1				
4	KIT-08176A	1.2Mt ADJ ROLLER LINKAGE (LH DRIVE) BEARING TYPE(2013&	1				
OR	KIT-08176AB	1.2Mt ADJ ROLLER LINKAGE (LH DRIVE) BLUE	1		809902 01BG	1.2mt COMPLETE HEAD (LH DRIVE HEAD) - BLUE	
OR	KIT-08160A	1.2Mt ADJ ROLLER LINKAGE (LH DRIVE) (UPTO 2013)	1				
5	KIT-08165	HEAD TRANSFERS - BLUE UP TO 2016 ONLY	1				
OR	KIT-08165G	HEAD TRANSFERS - GREY	1				



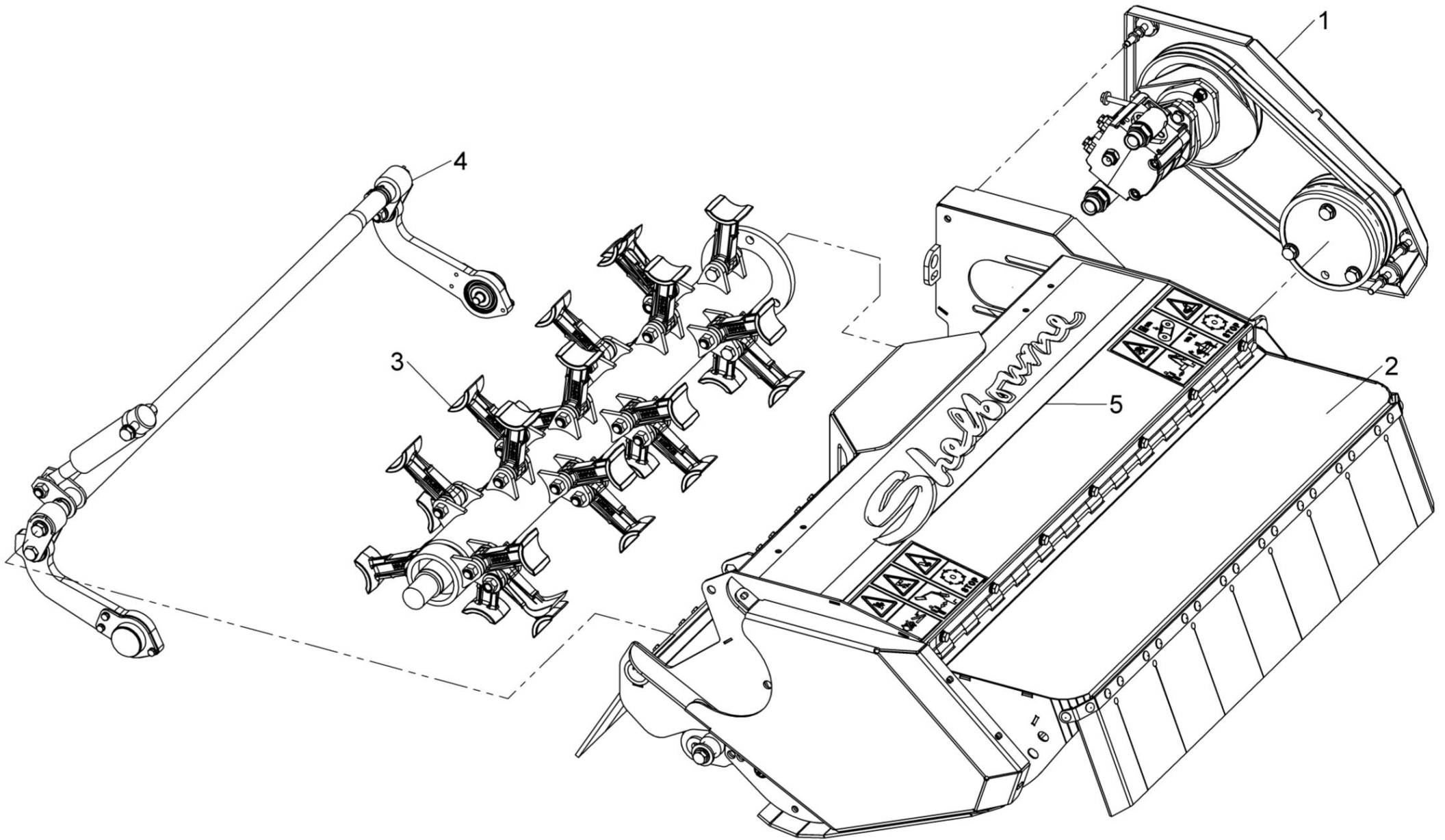
809902 01



Shelbourne Reynolds Engineering Limited

ASSY NUMBER: 809902 02				ASSY DESCRIPTION: 1.5 M HEAD ASSY, COMPLETE			
ITEM	PART NO	DESCRIPTION	QTY	ITEM	PART NO	DESCRIPTION	QTY
1	809028 01A	FLAIL MTG & DRIVE SUB ASSY (PBXXX170760 & ON)	1				
OR	809010 01A	FLAIL MTG & DRIVE SUB ASSY (UP TO PBXXX170760)					
OR	809010 01ABG	FLAIL MTG & DRIVE - BLUE/GREY (UP TO PBXXX170760)					
2	KIT-08178	1.5Mt HEAD (LH/OUTBOARD DRIVE) 2013 & ON	1				
OR	KIT-08178BG	1.5Mt HEAD (LH/OUTBOARD DRIVE) BLUE/GREY					
OR	KIT-08121	1.5Mt HEAD (LH/OUTBOARD DRIVE) UPTO 2013					
3	KIT-08001D	T FLAIL ASSY (1.5M) DROP FORGED (2018 & ON)	1				
OR	KIT-08001A	T FLAIL ASSY (1.5M) (CAST) (2013 UP TO 2018)	1				
4	KIT-08176C	1.5Mt ADJ ROLLER LINKAGE BEARING TYPE (LH DRIVE) 2013 & ON	1				
OR	KIT-08176B	1.5Mt ADJ ROLLER LINKAGE BEARING TYPE (LH DRIVE) BLUE			809902 02BG	1.5mt COMPLETE HEAD (LH DRIVE HEAD) - BLUE	
OR	KIT-08160C	1.5Mt ADJ ROLLER LINKAGE LH DRIVE UPTO 2013					
5	KIT-08165	HEAD TRANSFERS - BLUE UP TO 2016 ONLY	1				
OR	KIT-08165G	HEAD TRANSFERS - GREY					

Shelbourne Reynolds Engineering Limited

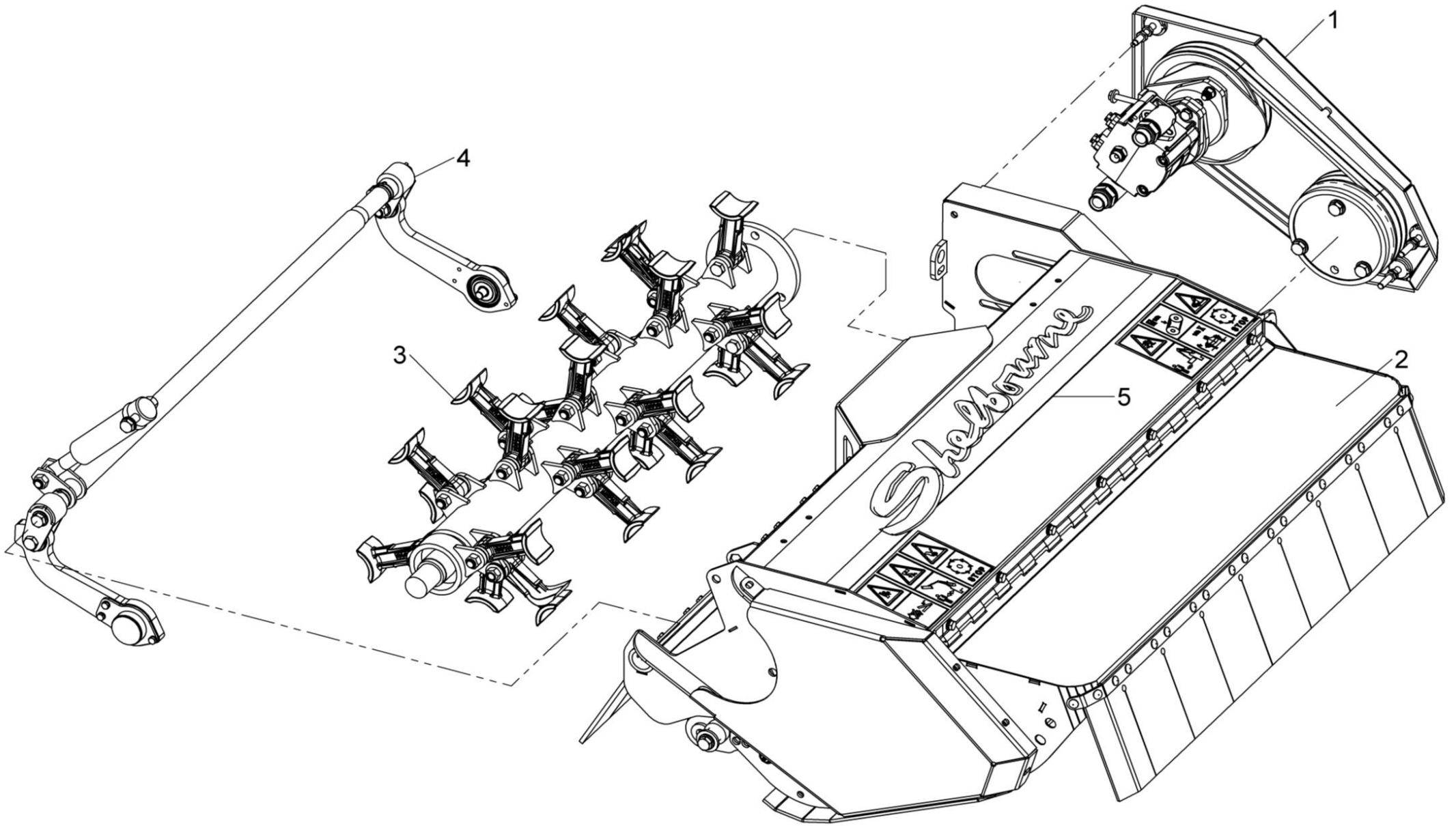


809902 02



Shelbourne Reynolds Engineering Limited

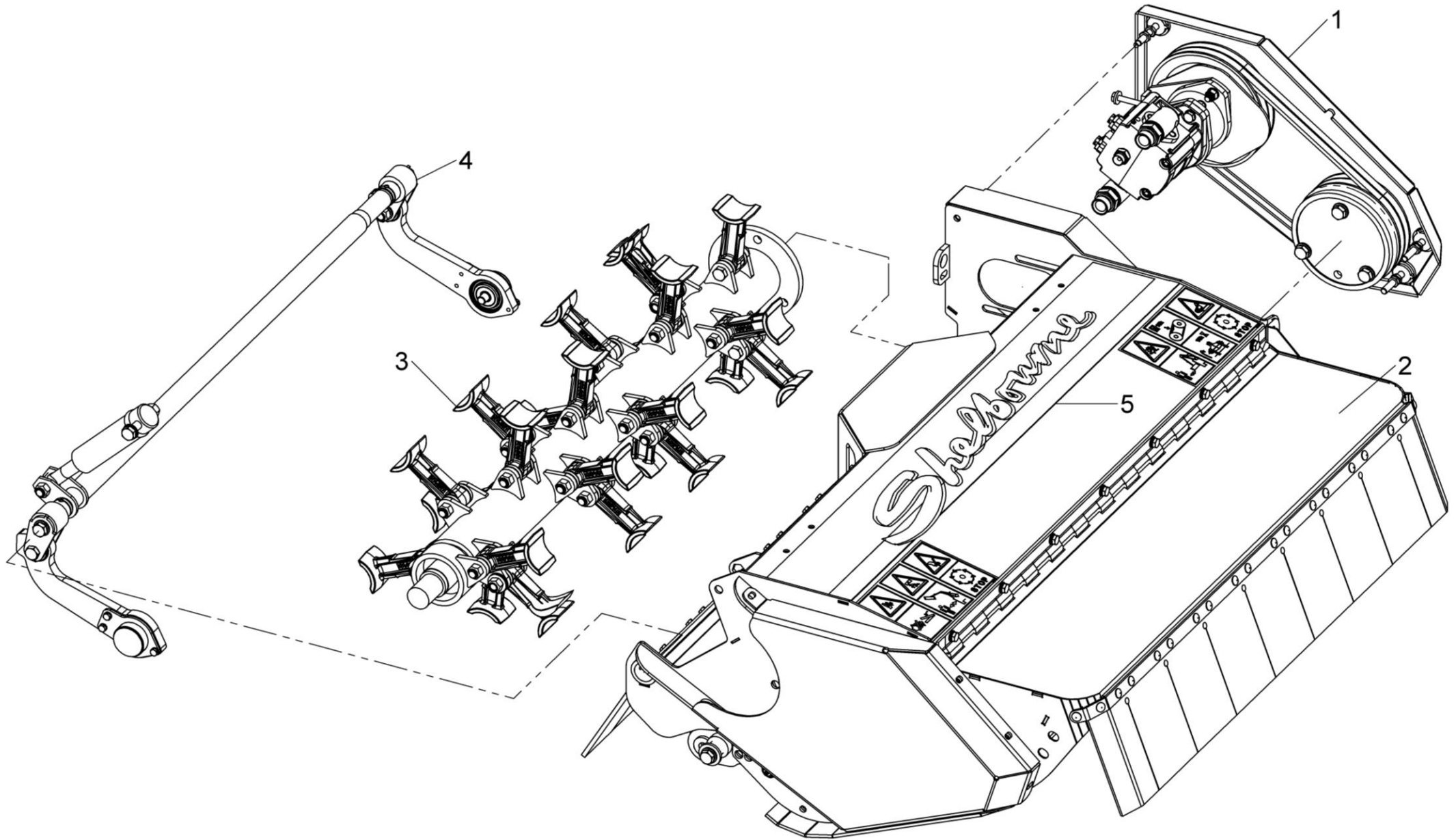
ASSY NUMBER: 809902 04				ASSY DESCRIPTION: 1.2 M HEAD ASSY RH DRIVE INBOARD, COMPLETE			
ITEM	PART NO	DESCRIPTION	QTY	ITEM	PART NO	DESCRIPTION	QTY
1	809028 01R	FLAIL MTG AND DRIVE (PBXXX170760 & ON)	1				
OR	809010 01R	FLAIL MTG AND DRIVE (UP TO PBXXX170760)					
OR	809010 01RBG	FLAIL MTG AND DRIVE BLUE & GREY (UP TO					
2	KIT-08177R	1.2Mt HEAD (RH/INBOARD DRIVE) 2013 & ON	1				
OR	KIT-08177RBG	1.2Mt HEAD (RH/INBOARD DRIVE) BLUE & GREY					
OR	KIT-08118R	1.2Mt HEAD (RH/INBOARD DRIVE) UPTO 2013					
3	KIT-08000D	T FLAIL ASSY (1.2M) DROP (2018 & ON)	1				
OR	KIT-08000A	T FLAIL ASSY (CAST) (1.2M) (2013 UP TO 2018)	1				
OR	KIT-08176BB	1.2Mt ADJ ROLLER LINKAGE (RH DRIVE) BLUE	1		809902 04BG	1.2mt COMPLETE HEAD (RH/INBOARD) - BLUE & GREY	
OR	KIT-08160B	1.2Mt ADJ ROLLER LINKAGE (RH DRIVE) UPTO 2013					
4	KIT-08176B	1.2Mt ADJ ROLLER LINKAGE	3				
5	KIT-08165	HEAD TRANSFERS - BLUE UP TO 2016 ONLY	1				
OR	KIT-08165G	HEAD TRANSFERS - GREY					



Shelbourne Reynolds Engineering Limited

ASSY NUMBER: 809902 05				ASSY DESCRIPTION: 1.5 M HEAD ASSY RH DRIVE (INBOARD),COMPLETE			
ITEM	PART NO	DESCRIPTION	QTY	ITEM	PART NO	DESCRIPTION	QTY
1	809028 01AR	FLAIL MTG AND DRIVE (PBXXX170760 & ON)	1				
OR	809010 01AR	FLAIL MTG AND DRIVE (UP TO PBXXX170760)					
OR	809010 01ARBG	FLAIL MTG AND DRIVE BLUE & GREY (UP TO					
2	KIT-08178R	1.5Mt HEAD (RH/INBOARD DRIVE) 2013 & ON	1				
OR	KIT-08178RBG	1.5Mt HEAD (RH/INBOARD DRIVE) BLUE & GREY					
OR	KIT-08121R	1.5Mt HEAD (RH/INBOARD DRIVE) UPTO 2013					
3	KIT-08001D	T FLAIL ASSY (1.5M) DROP (2018 & ON)	1				
OR	KIT-08001A	T FLAIL ASSY (1.5M) (CAST) (2013 UP TO 2018)	1				
4	KIT-08176D	1.5Mt ADJ ROLLER LINKAGE (RH DRIVE) 2013 & ON	1				
OR	KIT-08176DB	1.5Mt ADJ ROLLER LINKAGE (RH DRIVE) BLUE			809902 05BG	1.5Mt HEAD COMPLETE (RH/INBOARD DRIVE) BLUE & GREY	
OR	KIT08160D	1.5Mt ADJ ROLLER LINKAGE (RH DRIVE) UPTO 2013					
5	KIT-08165	HEAD TRANSFERS - BLUE UP TO 2016 ONLY	1				
OR	KIT-08165G	HEAD TRANSFERS - GREY					

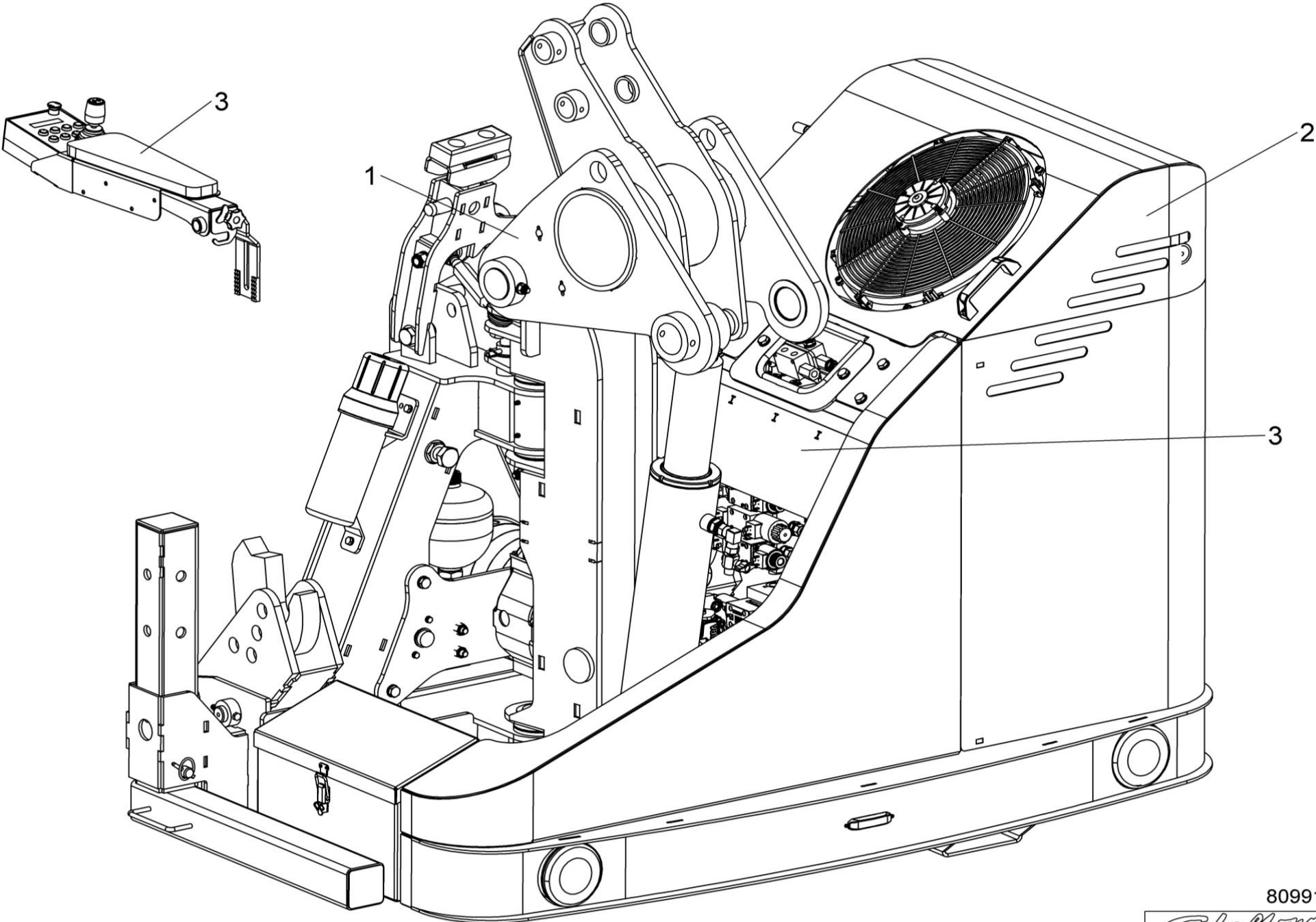
Shelbourne Reynolds Engineering Limited



809902 05

Shelbourne Reynolds Engineering Limited

ASSY NUMBER: 809912 01				ASSY DESCRIPTION: TRIMMER ASSY (HD 800)			
ITEM	PART NO	DESCRIPTION	QTY	ITEM	PART NO	DESCRIPTION	QTY
1	809025 01	MAINFRAME ASSEMBLY (HD800)	1				
2	809027 01	HYDRAULIC TANK ASSY (HD800)	1				
3	KIT-08227	VALVES & CONTROLS (HD800)	1				

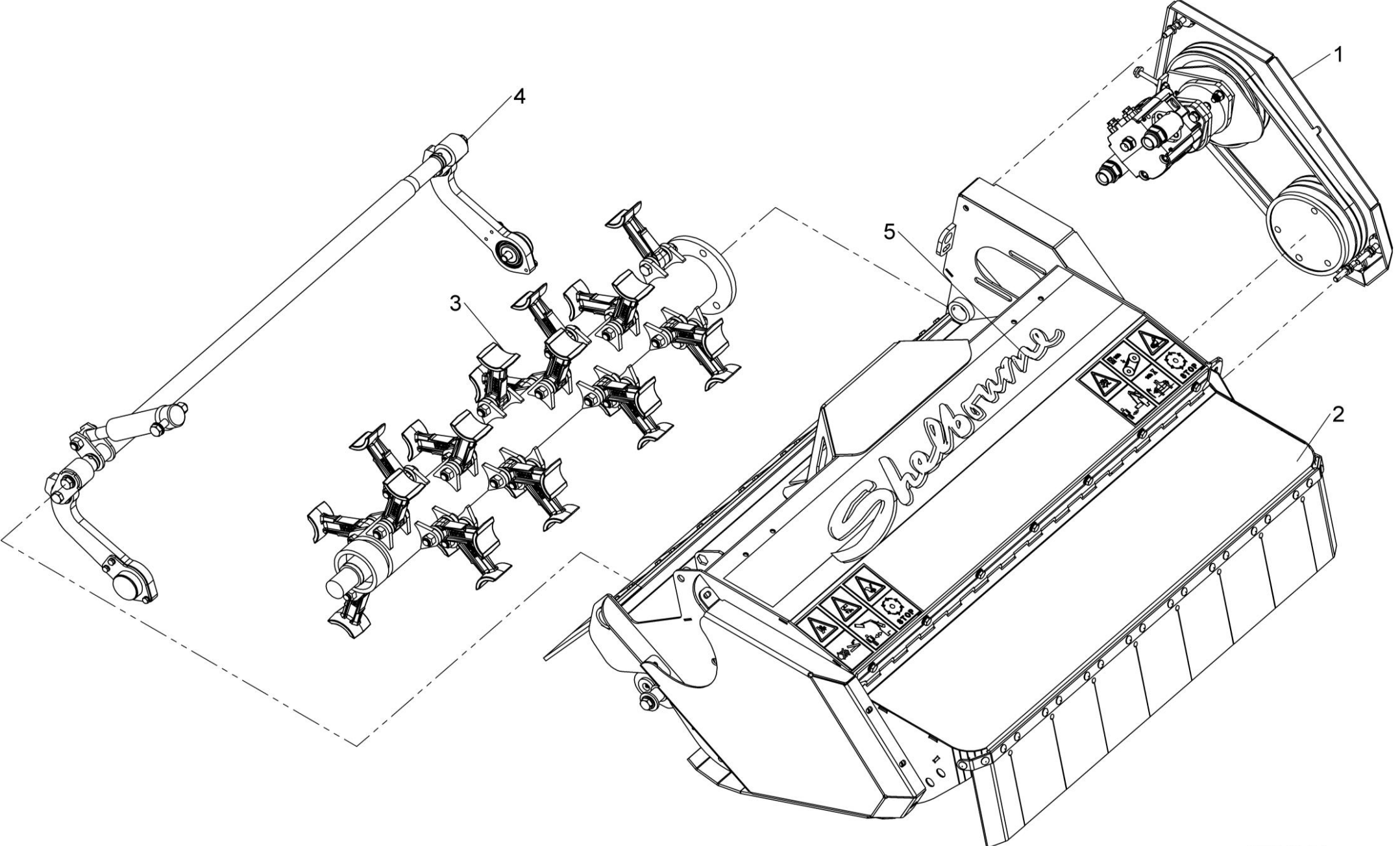


809912 01



Shelbourne Reynolds Engineering Limited

ASSY NUMBER: 809913 01				ASSY DESCRIPTION: 1.2 LH DRIVE (VERGE MOWING) HEAD ASSY			
ITEM	PART NO	DESCRIPTION	QTY	ITEM	PART NO	DESCRIPTION	QTY
1	809028 01	FLAIL MTG. & DRIVE SUB ASSY (PBXXX170760 & ON)	1				
OR	809010 01	FLAIL MTG. & DRIVE SUB ASSY (UP TO PBXXX170760)	1				
2	KIT-08226S	LH 1.2m NOSE & STEEL ROLLER	1				
3	KIT-08000D	T FLAIL ASSY(1.2M) DROP FORGED (2018 & ON)	1				
OR	KIT-08182	1.2m 32 FLAIL ASSY	1				
4	KIT-08176A	1.2m ADJ ROLLER LINKAGE (LH D)	1				
5	KIT-08165	HEAD TRANSFERS - BLUE UP TO 2016 ONLY					

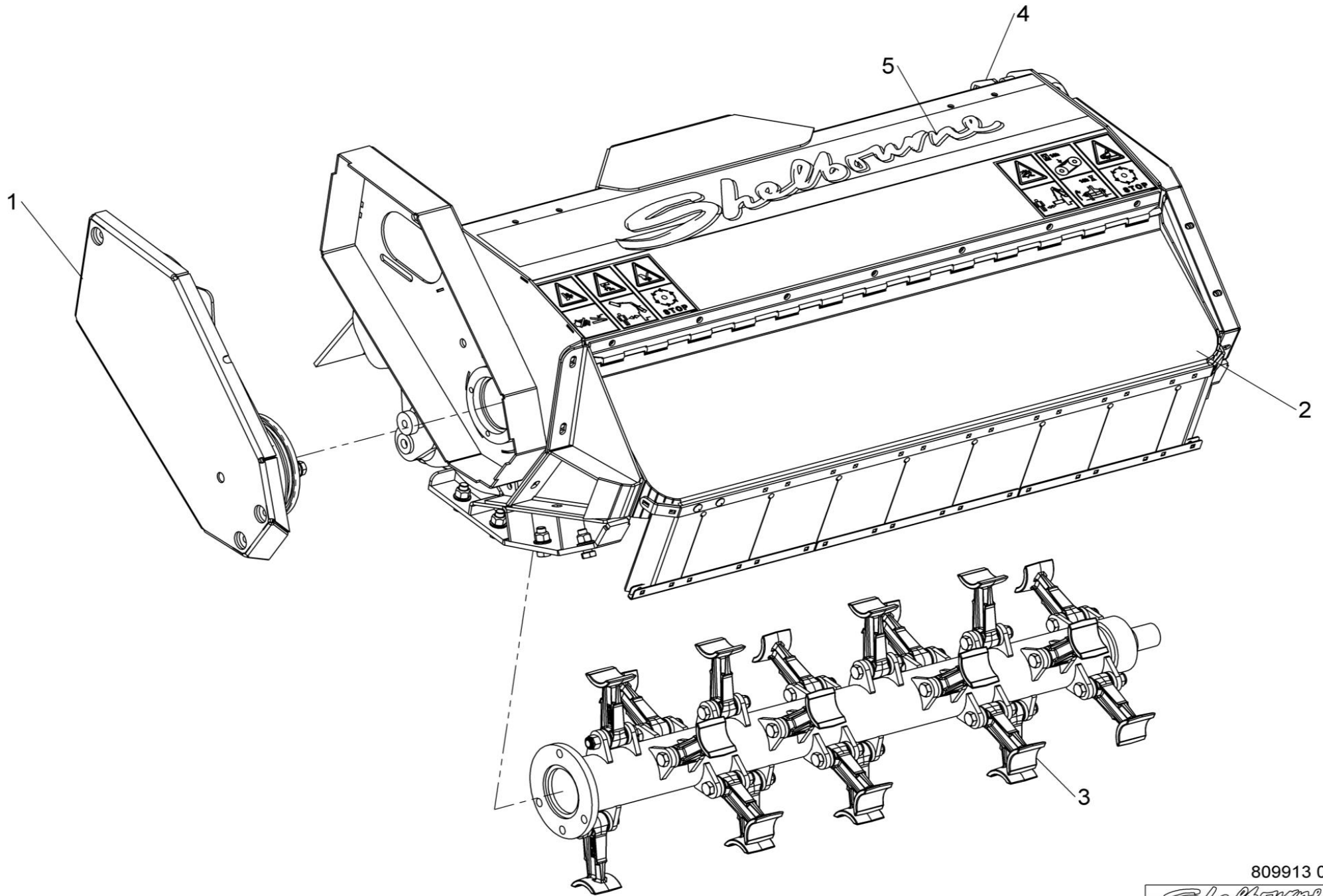


809913 01



Shelbourne Reynolds Engineering Limited

ASSY NUMBER: 809913 02				ASSY DESCRIPTION: 1.2 RH DRIVE (VERGE MOWING) HEAD ASSY			
ITEM	PART NO	DESCRIPTION	QTY	ITEM	PART NO	DESCRIPTION	QTY
1	809028 01R	FLAIL MTG AND DRIVE (PBXXX170760 & ON)	1				
OR	809010 01R	FLAIL MTG AND DRIVE (UP TO PBXXX170760)	1				
2	KIT-08226SR	RH 1.2m NOSE & STEEL ROLLER	1				
3	KIT-08000D	T FLAIL ASSY(1.2M) DROP FORGED 2018 & ON	1				
OR	KIT-08182	1.2m 32 FLAIL ASSY	1				
4	KIT-08176B	1.2m ADJ ROLLER LINKAGE (RH)	1				
5	KIT-08165	HEAD TRANSFERS - BLUE UP TO 2016 ONLY					



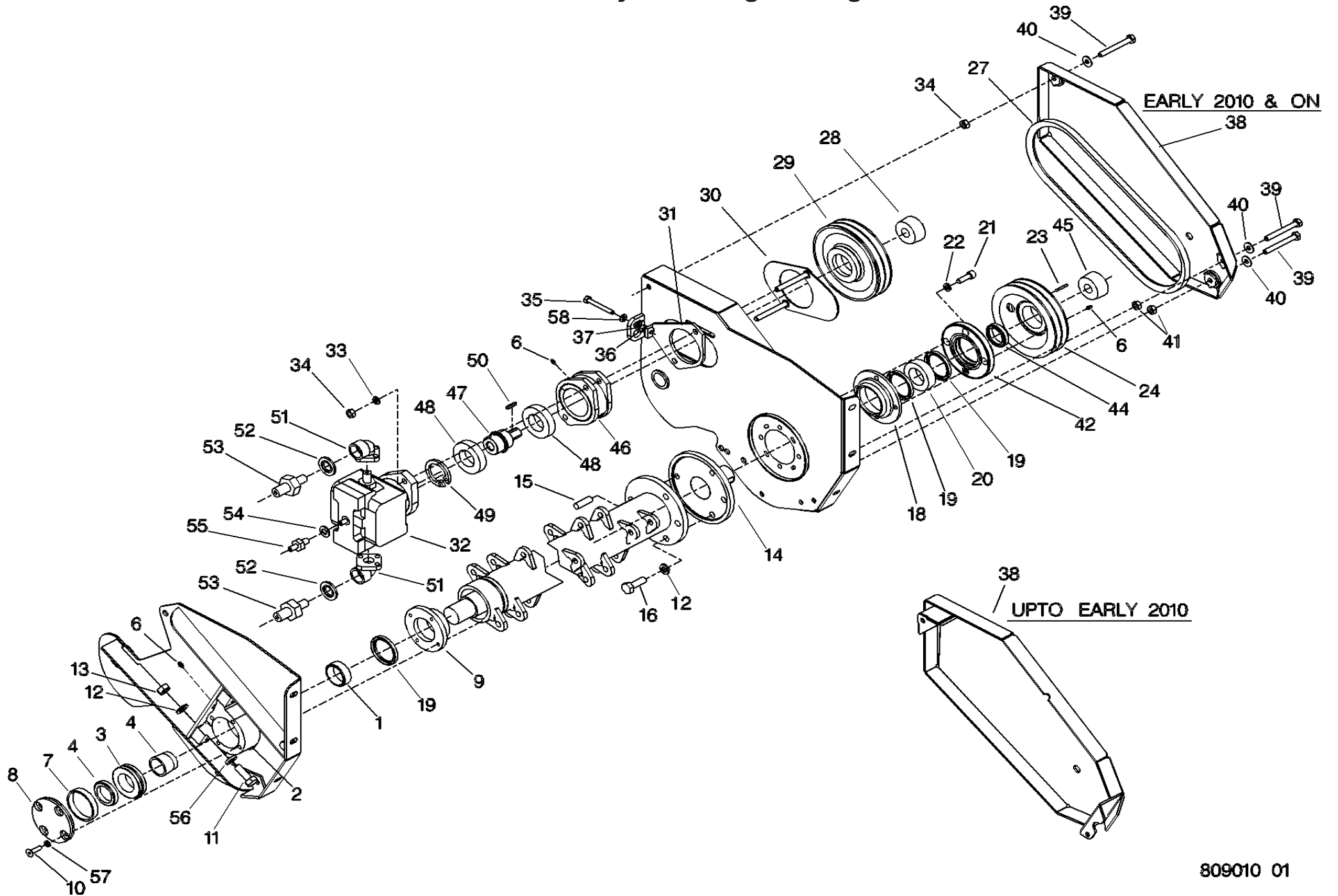
809913 02



Shelbourne Reynolds Engineering Limited

ASSY NUMBER: 809010 01				ASSY DESCRIPTION: FLAIL MTG.& DRIVE ASSY (UPTO PBXXX170760)			
ITEM	PART NO	DESCRIPTION	QTY	ITEM	PART NO	DESCRIPTION	QTY
1	800019 01	SLEEVE	1	35	HSSA10500	SET SCREW	1
2	800873 01	BEARING HOUSING	1	36	NUT-0167	PLAIN NUT	1
3	BRG-14580	BEARING	1	37	WSH-0015	PLAIN WASHER	1
4	BRG-94521	BEARING SLEEVE	1	38	801553 01	DRIVE COVER	1
5				OR	801553 02	DRIVE COVER RH HEAD DRIVE	1
6	NIP-00600	GREASE NIPPLE	3	39	HSSA12500	SETSCREW	3
7	800067 01	SPACER	1	40	WSHA30121	WASHER	3
8	802219 01	COVER(2012 & ON)	1	41			
OR	800874 01	COVER (UPTO 2012)	1	42	801064 02	BEARING RETAINER	1
9	800017 01	SLEEVE (1.2Mt)	1	43			
OR	804742 01	SLEEVE (1.5Mt)	1	44	801066 01	PULLEY SPACER	1
10	BLTA10440	HEX.HEAD BOLT	4	45	BSHZ05056	TAPER LOCK BUSH	1
OR	SCEA10473	CSK.SCREW (UPTO 2012)	1	46	801116 01	OUTRIGGER HOUSING WA	1
11	BLTA16474	BOLT	2	47	801104 01	OUTRIGGER SHAFT	1
12	WSHA30161	WASHER	3	48	BRG-15050	SUPPORT	2
13	NUTA15162	STOVER NUT	2	49	CIR010090	CIRCLIP INT	1
14	801067 01	DRIVE FLANGE	1	50	KEYB20000	KEY	1
15	193079 01	DOWEL PIN	1	51	FITF00005	FLANGE ELBOW CONNECTOR	2
16	HSSA16200	SETSCREW	3	52	WSH-1025	DOWTY WASHER (1")	2
17				53	FIT-0546	ADAPTOR	2
18	800700 02	BEARING HOUSING	1	54	WSH-1010	DOWTY WASHER	1
19	SEAA06500	SHAFT SEAL	3	55	HMA-0065	ADAPTOR	1
20	BRG-15080	BEARING	1	56	190119 85	WASHER	2
21	SCW-0245	SOC CAP HD SCREW	4	57	WSH-0061	SPRING WASHER	4
22	WSH-0065	SPRING WASHER	3	58	190119 11	WASHER	1
23	K1409032	KEY	1				
24	803097 01	DRIVE PULLEY PB7XX140345 & ON	1				
OR	801065 01	DRIVE PULLEY UPTO PB7XX140345	1				
25							
26							
27	BEL-10140	V-BELT	2				
28	BSHZ14032	TAPERLOCK BUSH	1				
29	800027 02	MOTOR PULLEY	1				
30	800023 02	RETAINING RING	1				
OR	800023 06	RETAINING RING RH HEAD DRIVE	1				
31	800028 01	MOTOR MTG.PLATE	1				
32	MOTH03900	HYD MOTOR	1				
32A	HMS03900	MOTOR SEAL KIT					
33	WSH-0018	PLAIN WASHER	2				
34	NUT-0269	NYLOC NUT	5				

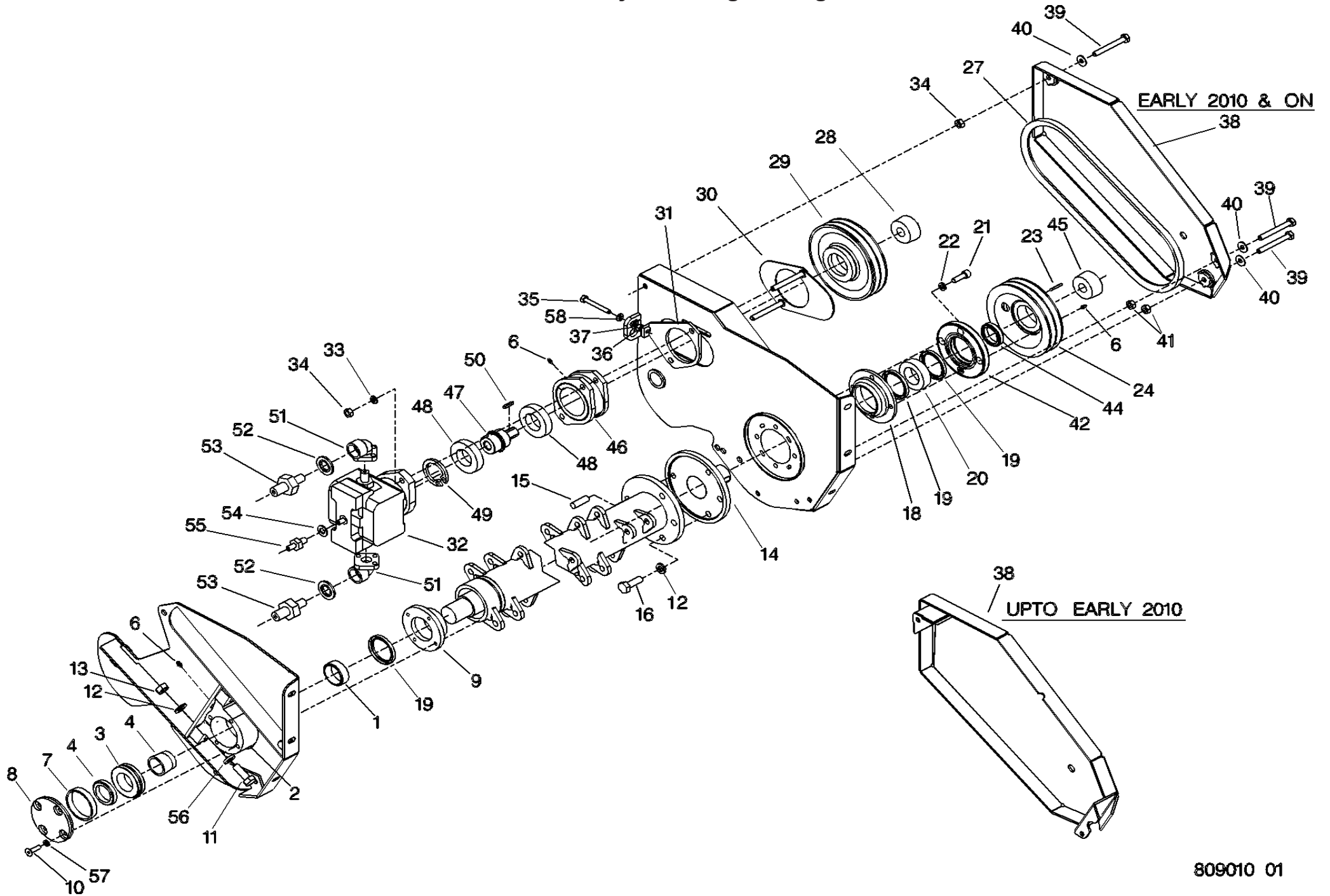
Shelbourne Reynolds Engineering Limited



809010 01

Shelbourne Reynolds Engineering Limited

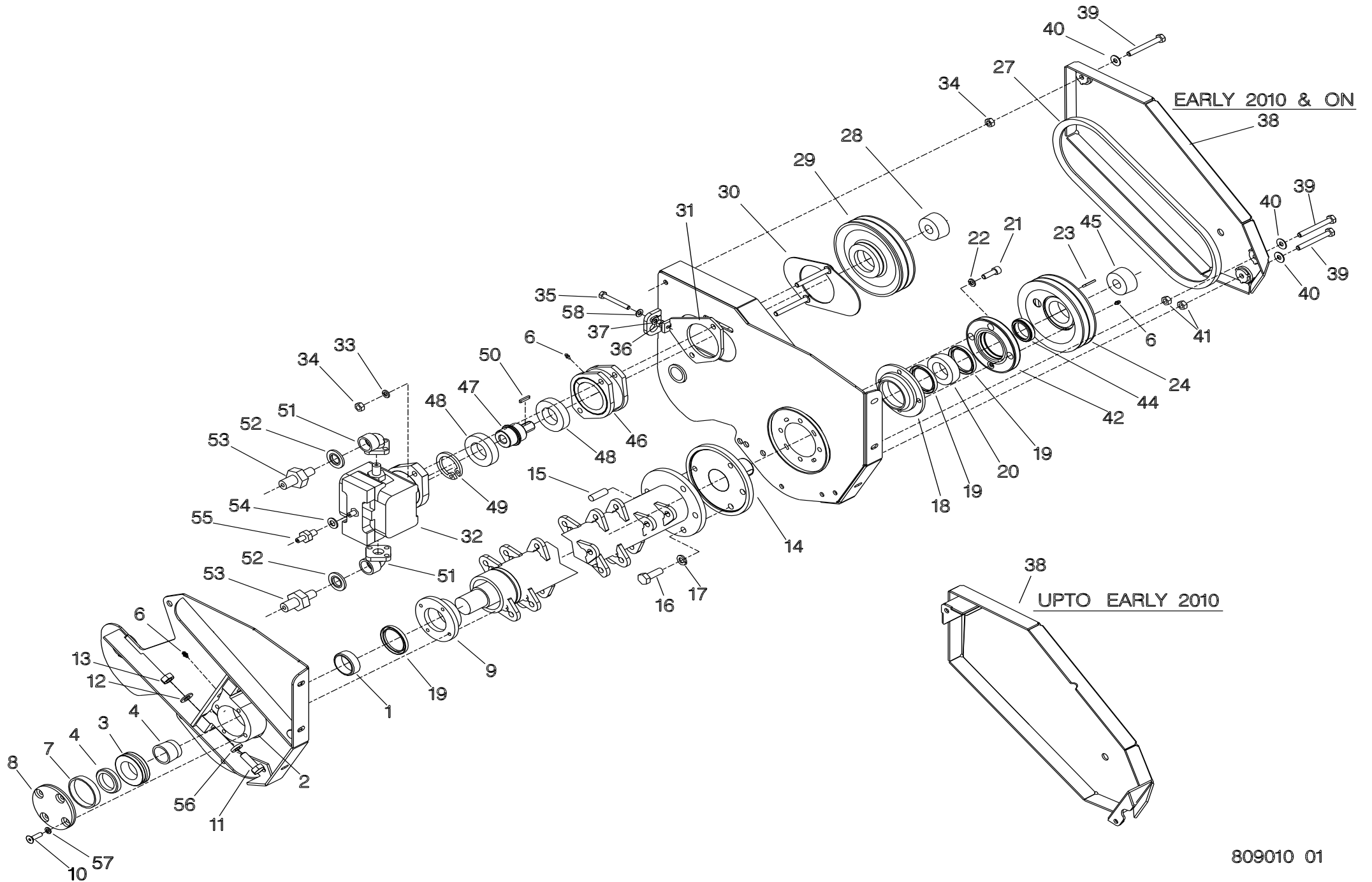
ASSY NUMBER: 809010 01A				ASSY DESCRIPTION: 1.5m FLAIL MTG.& DRIVE SUB ASSY (UPTO PBXXX170760)			
ITEM	PART NO	DESCRIPTION	QTY	ITEM	PART NO	DESCRIPTION	QTY
1	800019 01	SLEEVE	1	35	HSSA10500	SET SCREW	1
2	800873 01	BEARING HOUSING	1	36	NUT-0167	PLAIN NUT	1
3	BRG-14580	BEARING	1	37	WSH-0015	PLAIN WASHER	1
4	BRG-94521	BEARING SLEEVE	1	38	801553 01	DRIVE COVER	1
5				OR	801553 02	DRIVE COVER RH HEAD DRIVE	1
6	NIP-00600	GREASE NIPPLE	3	39	HSSA12500	SETSCREW	3
7	800067 01	SPACER	1	40	WSHA30121	WASHER	3
8	802219 01	COVER(2012 & ON)	1	41			
OR	800874 01	COVER (UPTO 2012)	1	42	801064 02	BEARING RETAINER	1
9	804742 01	SLEEVE (1.5Mt)	1	43			
10	BLTA10440	HEX.HEAD BOLT	4	44	801066 01	PULLEY SPACER	1
OR	SCEA10473	CSK.SCREW (UPTO 2012)	1	45	BSHZ05056	TAPER LOCK BUSH	1
11	BLTA16474	BOLT	2	46	801116 01	OUTRIGGER HOUSING WA	1
12	WSHA30161	WASHER	3	47	801104 01	OUTRIGGER SHAFT	1
13	NUTA15162	STOVER NUT	2	48	BRG-15050	SUPPORT	2
14	801067 01	DRIVE FLANGE	1	49	CIR010090	CIRCLIP INT	1
15	193079 01	DOWEL PIN	1	50	KEYB20000	KEY	1
16	HSSA16200	SETSCREW	3	51	FITF00005	FLANGE ELBOW CONNECTOR	2
17				52	WSH-1025	DOWTY WASHER (1")	2
18	800700 02	BEARING HOUSING	1	53	FIT-0546	ADAPTOR	2
19	SEAA06500	SHAFT SEAL	3	54	WSH-1010	DOWTY WASHER	1
20	BRG-15080	BEARING	1	55	HMA-0065	ADAPTOR	1
21	SCW-0245	SOC CAP HD SCREW	4	56	190119 85	WASHER	2
22	WSH-0065	SPRING WASHER	3	57	WSH-0061	SPRING WASHER	4
23	K1409032	KEY	1	58	190119 11	WASHER	1
24	803097 01	DRIVE PULLEY PB7XX140345 & ON	1				
OR	801065 01	DRIVE PULLEY UPTO PB7XX140345	1				
25							
26							
27	BEL-10140	V-BELT	2				
28	BSHZ14032	TAPERLOCK BUSH	1				
29	800027 02	MOTOR PULLEY	1				
30	800023 02	RETAINING RING	1				
OR	800023 06	RETAINING RING RH HEAD DRIVE	1				
31	800028 01	MOTOR MTG.PLATE	1				
32	MOTH03900	HYD MOTOR	1				
32A	HMS03900	MOTOR SEAL KIT					
33	WSH-0018	PLAIN WASHER	2				
34	NUT-0269	NYLOC NUT	5				



Shelbourne Reynolds Engineering Limited

ASSY NUMBER: 809010 01BG				ASSY DESCRIPTION: FLAIL MTG.& DRIVE SUB ASSY (UPTO PBXX170760)			
ITEM	PART NO	DESCRIPTION	QTY	ITEM	PART NO	DESCRIPTION	QTY
1	800019 01	SLEEVE	1	35	HSSA10500	SET SCREW	1
2	800873 01B	BEARING HOUSING	1	36	NUT-0167	PLAIN NUT	1
3	BRG-14580	BEARING	1	37	WSH-0015	PLAIN WASHER	1
4	BRG-94521	BEARING SLEEVE	1	38	801553 01G	DRIVE COVER	1
5				OR	801553 02G	DRIVE COVER RH HEAD DRIVE	1
6	NIP-00600	GREASE NIPPLE	3	39	HSSA12500	SETSCREW	3
7	800067 01	SPACER	1	40	WSHA30121	WASHER	3
8	802219 01B	COVER(2012 & ON)	1	41			
OR	800874 01	COVER (UPTO 2012)	1	42	801064 02	BEARING RETAINER	1
9	800017 01	SLEEVE	1	43			
10	BLTA10440	HEX.HEAD BOLT	4	44	801066 01	PULLEY SPACER	1
OR	SCEA10473	CSK.SCREW (UPTO 2012)	1	45	BSHZ05056	TAPER LOCK BUSH	1
11	BLTA16474	BOLT	2	46	801116 01	OUTRIGGER HOUSING WA	1
12	WSHA30161	WASHER	3	47	801104 01	OUTRIGGER SHAFT	1
13	NUTA15162	STOVER NUT	2	48	BRG-15050	SUPPORT	2
14	801067 01	DRIVE FLANGE	1	49	CIR010090	CIRCLIP INT	1
15	193079 01	DOWEL PIN	1	50	KEYB20000	KEY	1
16	HSSA16200	SETSCREW	3	51	FITF00005	FLANGE ELBOW CONNECTOR	2
17				52	WSH-1025	DOWTY WASHER (1")	2
18	800700 02	BEARING HOUSING	1	53	FIT-0546	ADAPTOR	2
19	SEAA06500	SHAFT SEAL	3	54	WSH-1010	DOWTY WASHER	1
20	BRG-15080	BEARING	1	55	HMA-0065	ADAPTOR	1
21	SCW-0245	SOC CAP HD SCREW	4	56	190119 85	WASHER	2
22	WSH-0065	SPRING WASHER	3	57	WSH-0061	SPRING WASHER	4
23	K1409032	KEY	1	58	190119 11	WASHER	1
24	803097 01	DRIVE PULLEY PB7XX140345 & ON	1				
OR	801065 01	DRIVE PULLEY UPTO PB7XX140345	1				
25							
26							
27	BEL-10140	V-BELT	2				
28	BSHZ14032	TAPERLOCK BUSH	1				
29	800027 02	MOTOR PULLEY	1				
30	800023 02	RETAINING RING	1				
OR	800023 06	RETAINING RING RH HEAD DRIVE	1				
31	800028 01B	MOTOR MTG.PLATE	1				
32	MOTH03900	HYD MOTOR	1				
32A	HMS03900	MOTOR SEAL KIT					
33	WSH-0018	PLAIN WASHER	2				
34	NUT-0269	NYLOC NUT	5				

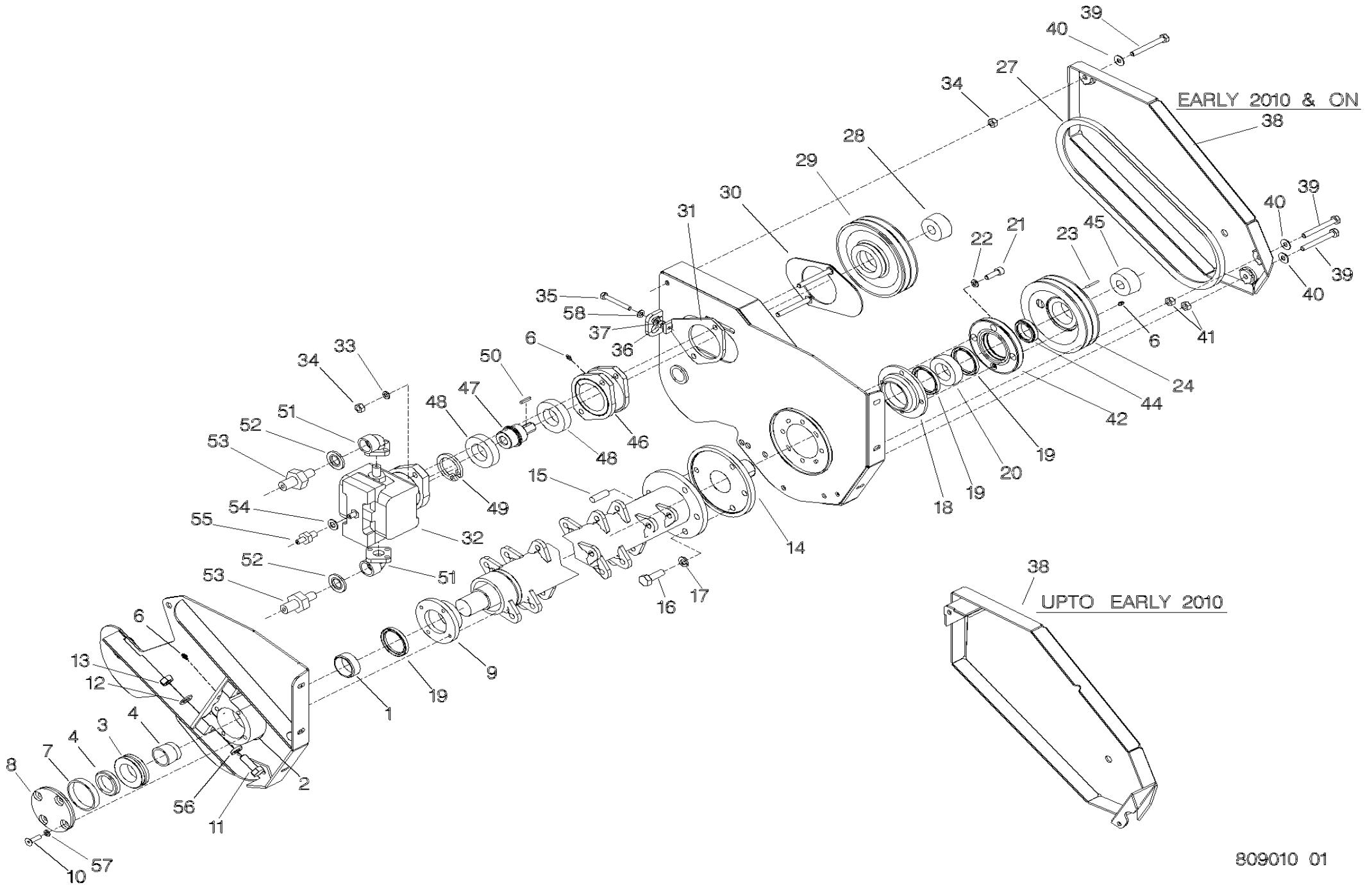
Shelbourne Reynolds Engineering Limited



Shelbourne Reynolds Engineering Limited

ASSY NUMBER: 809010 01R				ASSY DESCRIPTION: FLAIL MOUNTING & DRIVE SUB (RH HEAD DRIVE) (UPTO PBXXX170760)			
ITEM	PART NO	DESCRIPTION	QTY	ITEM	PART NO	DESCRIPTION	QTY
1	800019 01	SLEEVE	1	36	NUT-0167	PLAIN NUT	1
2	800873 01	BEARING HOUSING	1	37	WSH-0015	PLAIN WASHER	1
3	BRG-14580	BEARING	1	38	801553 02	DRIVE COVER	1
4	BRG-94521	BEARING SLEEVE	1	39	HSSA12500	SETSCREW	3
5				40	WSHA30121	WASHER	5
6	NIP-00600	GREASE NIPPLE	3	41			
7	800067 01	SPACER	1	42	801064 02	BEARING RETAINER	1
8	802219 01	BEARING COVER (2012 & ON)	1	43			
OR	800874 01	COVER (UPTO 2012)		44	801066 01	PULLEY SPACER	1
9	800017 01	SLEEVE	1	45	BSHZ05056	TAPER LOCK BUSH	1
10	BLTA10440	BOLT	4	46	801116 01	OUTRIGGER HOUSING WA	1
OR	SCEA10473	CSK. SCREW		47	801104 01	OUTRIGGER SHAFT	1
11	BLTA16474	BOLT	2	48	BRG-15050	SUPPORT	2
12	WSH-0024	PLAIN WASHER	2	49	CIR010090	CIRCLIP INT	1
13	NUT-0271	NYLOC NUT	2	50	KEYB20000	KEY	1
14	801067 01	DRIVE FLANGE	1	51	FITF00005	FLANGE ELBOW CONNECTOR	2
15	193079 01	DOWEL PIN	1	52	WSH-1025	DOWTY WASHER	2
16	HSSA16200	SETSCREW	3	53	FIT-0546	ADAPTOR	2
17	WSHA30161	WASHER	3	54	WSH-1010	DOWTY WASHER	1
18	800700 02	BEARING HOUSING	1	55	HMA-0065	ADAPTOR	1
19	SEAA06500	SHAFT SEAL	3	56	190119 85	WASHER	2
20	BRG-15080	BEARING	1	57	WSH-0061	WASHER	4
21	SCW-0245	SOC. CAP HD SCREW	4	58	190119 11	WASHER	2
22	WSH-0065	WASHER	3				
23	K1409032	KEY	1				
24	803097 01	DRIVE PULLEY PB7XX140345 & ON	1				
OR	801065 01	DRIVE PULLEY UPTO PB7XX140345					
25							
26							
27	BEL-10140	V-BELT	2				
28	BSHZ14032	TAPERLOCK BUSH	1				
29	800027 02	PULLEY-MOTOR-HI.POWER	1				
30	800023 06	FIXING BOLT ASSY RH	1				
31	800028 04	MOTOR MTG PLATE RH	1				
32	MOTH03900	HYD MOTOR	1				
32A	HMS-03900	MOTOR SEAL KIT					
33	WSH-0018	WASHER	2				
34	NUT-0269	NYLOC NUT	5				
35	HSSA10500	HEX.HEAD SET SCREW	1				

Shelbourne Reynolds Engineering Limited



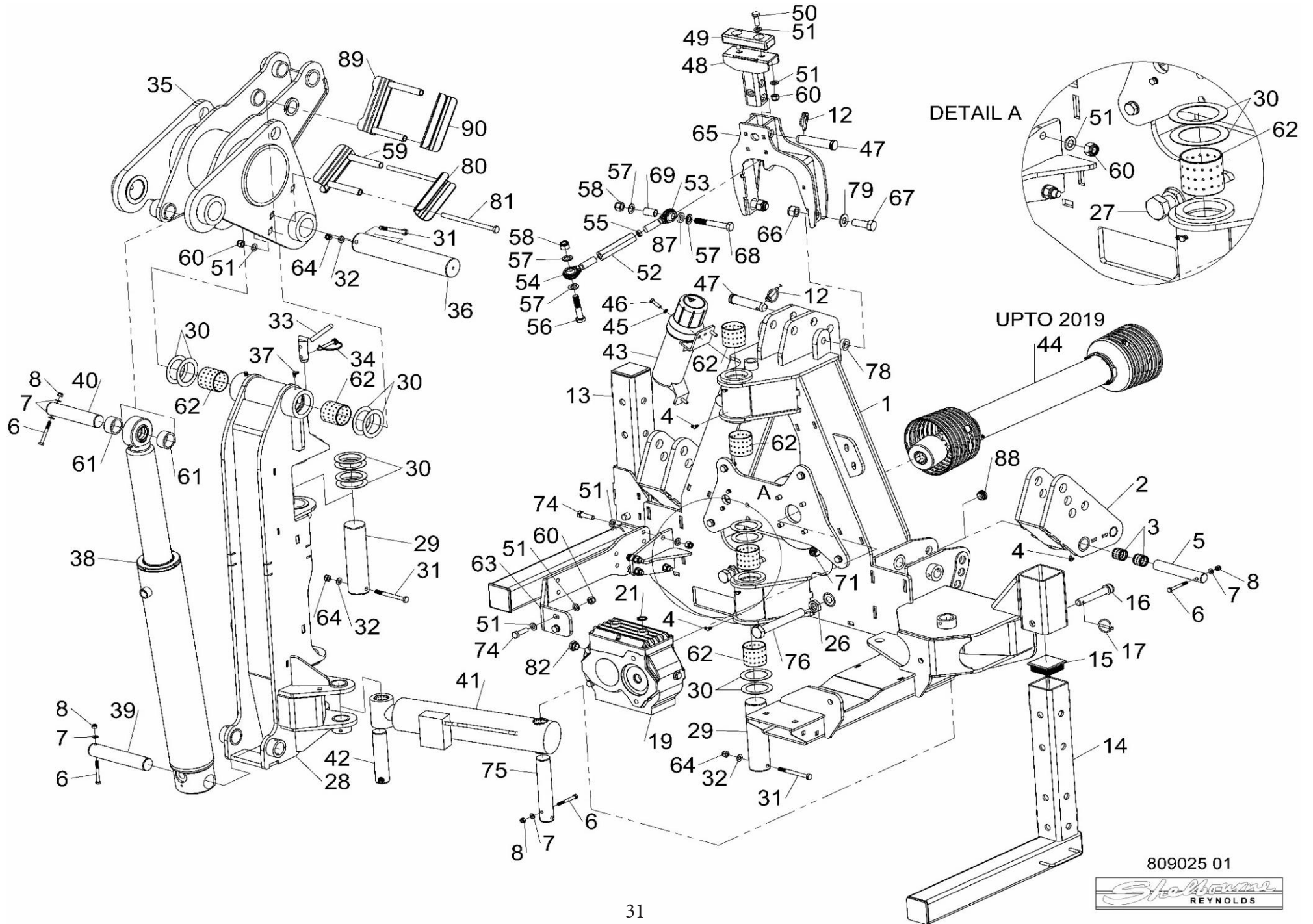
Shelbourne Reynolds Engineering Limited

ASSY NUMBER: 809025 01				ASSY DESCRIPTION: MAINFRAME SUB ASSY (HD 800 TRIMMER)			
ITEM	PART NO	DESCRIPTION	QTY	ITEM	PART NO	DESCRIPTION	QTY
1	803585 01	MAIN FRAME W/A	1	39	802839 02	PIN	1
2	803589 01	LIFT ARM BRACKET W/A	2	40	802839 01	PIN	1
3	BSHO03056	WRAPPED BUSH	4	41	803744 01	BREAKBACK CYLINDER	1
4	NIP-00605	GREASE NIPPLE	4	42	802839 07	PIN	1
5	800101 39	PIN	2	43	PCN-00100	CANNISTER FOR MANUALS	1
6	BLTA08440	BOLT	6	44	-	NOW SEE DRIVE KIT	-
7	WSH-0012	WASHER	7	OR	PTO-27000WE	PTO SHAFT UPTO 2019	1
8	NUT-0263	NYLOC NUT	6	45	WSH-0058	WASHER	3
9				46	HSS-0150	SETSCREW	3
10				47	800198 01	PIN	2
11				48	804031 01	BUMP STOP W/A	1
12	PIN-01950	LYNCH PIN	2	49	801367 01	BUMP STOP	1
13	803761 01	LH STAND W/A	1	50	HSS-0241	SETSCREW	2
14	803761 02	RH STAND W/A	1	51	WSH-0018	WASHER	18
15	21709004	END CAP	2	52	804236 01	ADJUSTER	1
16	39010206	PIN	2	53	804095 01	BALL END RH	1
17	PIN-01601	LYNCH PIN	2	54	804096 01	BALL END LH	1
18				55	NUTB03450	HALF NUT	1
19	-	NOW SEE DRIVE KIT	-	56	BLT-2316	BOLT	1
OR	GEA-0183	GEARBOX UPTO PBXXX180900	1	57	WSH-0024	WASHER	4
20				58	NUT-0271	NYLOC NUT	2
21				59	803337 01	HOSE GUIDE (UPTO PB870191050)	1
22				60	NUT-0269	NYLOC NUT	10
23	-	NOW SEE DRIVE KIT	-	61	803627 01	LIFT SPACER	2
24				62	BSHO06071	WRAPPED BUSH	6
25				63	804180 01	LOWER STRAP	1
26	NUT-0390	HALF NUT	3	64			
27	HSS-0400	SETSCREW	2	65	804140 01	BUMP STOP W/A	1
28	803740 01	PILLAR W/A	1	66	NUTA02200	NYLOC NUT	2
29	803240 04	PIN	2	67	BLT-2365	BOLT	2
30	803327 01	SHIM	16	68	BLT-2325	BOLT	1
31	BLTA10590	BOLT	3	69	804141 01	SHORT SPACER	1
32	WSH-0015	WASHER	3	70			
33	805388 01	LOCKING PIN	1	71	21709039	PLASTIC CAP	2
34	PIN-1720	LYNCH PIN	1	72	190119 16	WASHER 51	4
35	803997 01	ROCKER W/A	1	73	-	NOW SEE DRIVE KIT	-
36	803240 03	PIN	1	74	BLTA12290	BOLT	4
37	NIP-00600	GREASE NIPPLE	4	75	804227 01	PIN	1
38	803625 01	LIFT CYLINDER	1	76	HSSA24770	BOLT	1

Shelbourne Reynolds Engineering Limited

ASSY NUMBER: 809025 01				ASSY DESCRIPTION: MAINFRAME SUB ASSY (HD 800 TRIMMER)			
ITEM	PART NO	DESCRIPTION	QTY	ITEM	PART NO	DESCRIPTION	QTY
77							
78	198800 53	SPACER	2				
79	198800 36	WASHER	2				
80	803317 01	GUIDE PLATE (UPTO PB870191050)	1				
81	BLTA12830	BOLT	2				
82							
83							
84							
85							
86							
87	190119 85	SPACER	1				
88	PTF-00130	ROUND INSERT	3				
89	805913 01	HOSE GUIDE (PB870191050 & ON)	1				
90	805915 01	GUIDE PLATE (PB870191050 & ON)	1				

Shelbourne Reynolds Engineering Limited



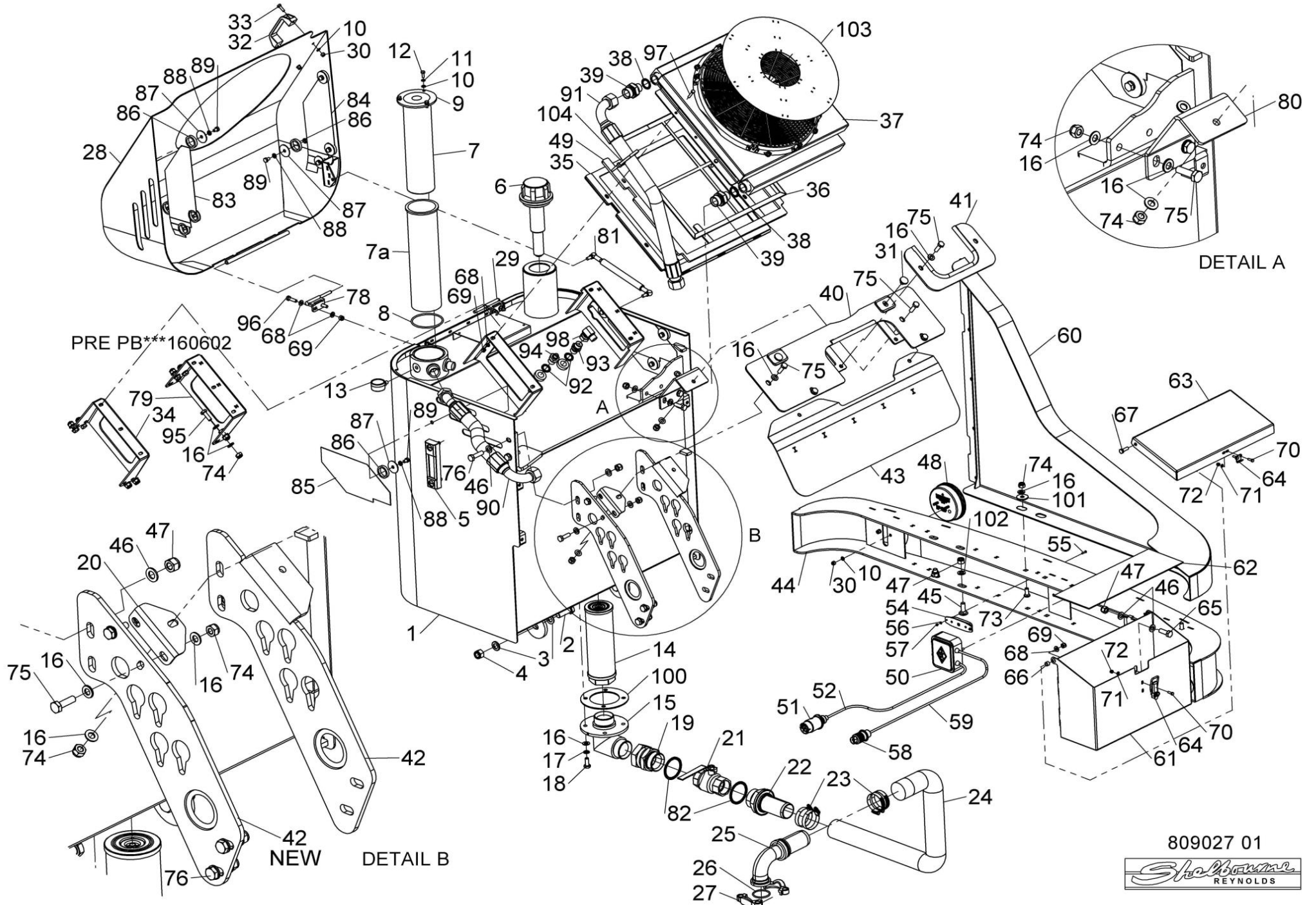
Shelbourne Reynolds Engineering Limited

ASSY NUMBER: 809027 01				ASSY DESCRIPTION: TANK ASSY 800 TRIMMER			
ITEM	PART NO	DESCRIPTION	QTY	ITEM	PART NO	DESCRIPTION	QTY
1	804154 01	TANK W/ASSY	1	32	HND-0000	BLACK PLASTIC HANDLE	1
2	HSS-0318	SETSCREW	2	33	HSS-0086	SET SCREW	2
3	WSH-0024	WASHER	4	34	804203 01	MOUNTING BRKT (PRE PB***160602)	
4	NUT-0271	NUT	2	35	805383 01	MESH COVER FRAME MID 2018 & ON	1
5	GAU-0010	FLUID LEVEL TEMP GUAGE	1	OR	804162 01	MESH SUPPORT PLT UPTO MID 2018	
6	FIL-0180	FILLER BREATHER	1	36	804165 01	MESH SCREEN FRAME	1
7	FIL-0190A	FILTER HOLDER AND FILTER	1	37	HOC-00020	HYDRAULIC OIL COOLER & FAN	1
7A	FIL-0200A	FILTER ELEMENT	1	38	WSH-1020	WASHER	2
8	ORA260900	O RING	1	39	HMA-0075	HYDRAULIC ADAPTOR	2
9	804327 01	RETURN FILTER LID	1	40	804779 01	TOP COVER W/A	1
10	WSH-0009	PLAIN WASHER	9	41	804778 01	HOSE GUIDE W/A	1
11	WSH-0056	WASHER	3	42	805386 01	MOUNTING BRKT W/A	1
12	HSS-0084	SETSCREW	3	43	804221 01	COVER PLATE W/ASSY	1
13	FIL-0210	FILTER VISUAL INDICATOR	1	44	804177 01	LIGHT BEAM W/ASSY	1
14	SUC-0120	SUCTION ELEMENT PB***201244 & ON	1	45	BLTF12233	COACHBOLT	2
OR	SUC-0110	SUCTION ELEMENT UPTO PB***201244	1	46	WSH-0018	PLAIN WASHER	18
15	806466 01	SUCTION ELBOW 2" PB***201244 & ON	1	47	NUT-0269	NYLOC NUT	10
OR	804638 01	SUCTION HOSE 1 1/2" UPTO PB***201244	1	48	804683 01	MAIN LIGHTING KIT	1
16	WSH-0015	WASHER	15	49	805366 01	MESH FRAME SPACER PLATE	1
17	WSH-0061	WASHER	6	50	JNC-00000	JUNCTION BOX UPTO PB***160593	1
18	HSS-0191	SETSCREW	4	51	PLG-0005	PLUG UPTO PB***160593	1
19	HACAA1919	ADAPTOR PB***201244 & ON	1	52	CBL-03530	CABLE UPTO PB***160593	4m
OR	HACAA1717	ADAPTOR UPTO PB***201244	1	53	OIL-0027	HYDRAULIC OIL	275
20	805385 01	GUARD BRKT	1	54	804684 01	WARNING LIGHT KIT	1
21	HVB-02640	BALL VALVE 2" PB***201244 & ON	1	55	SCFC03110	PAN HEAD SCREW	2
OR	HVB-02610	BALL VALVE 1 1/2" UPTO PB***201244	1	56	WSH-0001	WASHER	2
22	HFAD05583	STR.HOSE END 2" PB***201244 & ON	1	57	NUTA02030	NUT	2
OR	HFAD05017	STR.HOSE END 1 1/2" UPTO PB***201244	1	58	PLG-0060	PLUG UPTO PB***160593	1
23	CLP-0120	JUBILEE CLIP 55/70 PB***201244 & ON	4	59	CBL-03010	CABLE UPTO PB***160593	6m
OR	CLP-0075	JUBILEE CLIP 40/55 UPTO PB***201244	4	60	804179 01	REAR GUARD W/ASSY	1
24	HOS-1050	BRAID HOSE 2" PB***201244 & ON	0.7m	61	804184 01	TOOLBOX W/ASSY	1
OR	HOS-1044	BRAID HOSE 1 1/2" UPTO PB***201244	0.7m	62	803907 01	TOOLBOX MAT	1
25	HFKR05083	SUCTION ELBOW 2" PB***201244 & ON	1	63	804183 01	TOOLBOX LID	1
OR	HFKR05080	SUCTION ELBOW 1 1/2" UPTO PB***201244	1	64	LTH-01020	COMPACT TOGGLE LATCH	1
26	ORA260450	O RING	1	65	HSS-0241	SET SCREW	2
27	HFKY60080	FLANGE HALVES (PAIR OF)	1	66	801287 01	GUIDE ROLLER	2
28	804294 01	TOP COVER W/ASSY	1	67	HSS-0145	SETSCREW	2
29	804324 01	LH HINGE	1	68	WSH-0012	PLAIN WASHER	18
30	NUT-0260	NYLOC NUT	6	69	NUT-0263	NYLOC NUT	10
31	RUB-0330	RUBBER GROMMET FOOT	2	70	HSS-0058	SETSCREW	4

Shelbourne Reynolds Engineering Limited

ASSY NUMBER: 809027 01				ASSY DESCRIPTION: TANK ASSY 800 TRIMMER			
ITEM	PART NO	DESCRIPTION	QTY	ITEM	PART NO	DESCRIPTION	QTY
71	WSH-0006	WASHER	4				
72	NUT-0258	NYLOC NUT	4				
73	BLT-3750	COACH BOLT	2				
74	NUT-0265	NYLOC NUT	6				
75	HSS-0198	SET SCREW	8				
76	BLTA12290	HEX.HEAD BOLT	6				
77	HSS-0096	SET SCREW	6				
78	804324 02	RH HINGE	1				
79	804260 01	MOUNTING BRKT PRE PB***160602	1				
80	804216 01	MOUNTING BRACKET	1				
81	GSTA08229	GAS SPRING - PUSH TYPE	1				
82	DWS-00070	BONDED SEAL PB***201244 & ON	2				
OR	DWS-00055	BONDED SEAL UPTO PB***201244	2				
83	804244 01	MESH COVER FRONT	1				
84	804244 02	MESH COVER BACK	1				
85	804243 01	MESH COVER	2				
86	198800 03	WASHER (40x31x8)	14				
87	190119 05	WASHER	14				
88	WSH-0058	SPRING WASHER	14				
89	HSS-0130	SET SCREW	14				
90	HHHI02905	HYDRAULIC HOSE ASSEMBLY	1				
91	HHBI13005	HYDRAULIC HOSE ASSEMBLY	1				
92	WSH-1015	WASHER	2				
93	HMA-0067	ADAPTOR	1				
94	HMA-0055	ADAPTOR	1				
95	HSS-0194	SET SCREW	2				
96	HSS-0150	SET SCREW	4				
97	HSS-0152	SET SCREW	4				
98	HALAA0707	ELBOW FITTING	1				
99	804966 01	TANK SHIM	6				
100	804644 01	SUCTION ELBOW GASKET	1				
101	198800 51	WASHER	2				
102	190119 89	WASHER 13x28x2	2				
103	804760 01	FAN COVER	1				
104	TIE-0023	TIE WRAP, COLOUR BLACK	18				

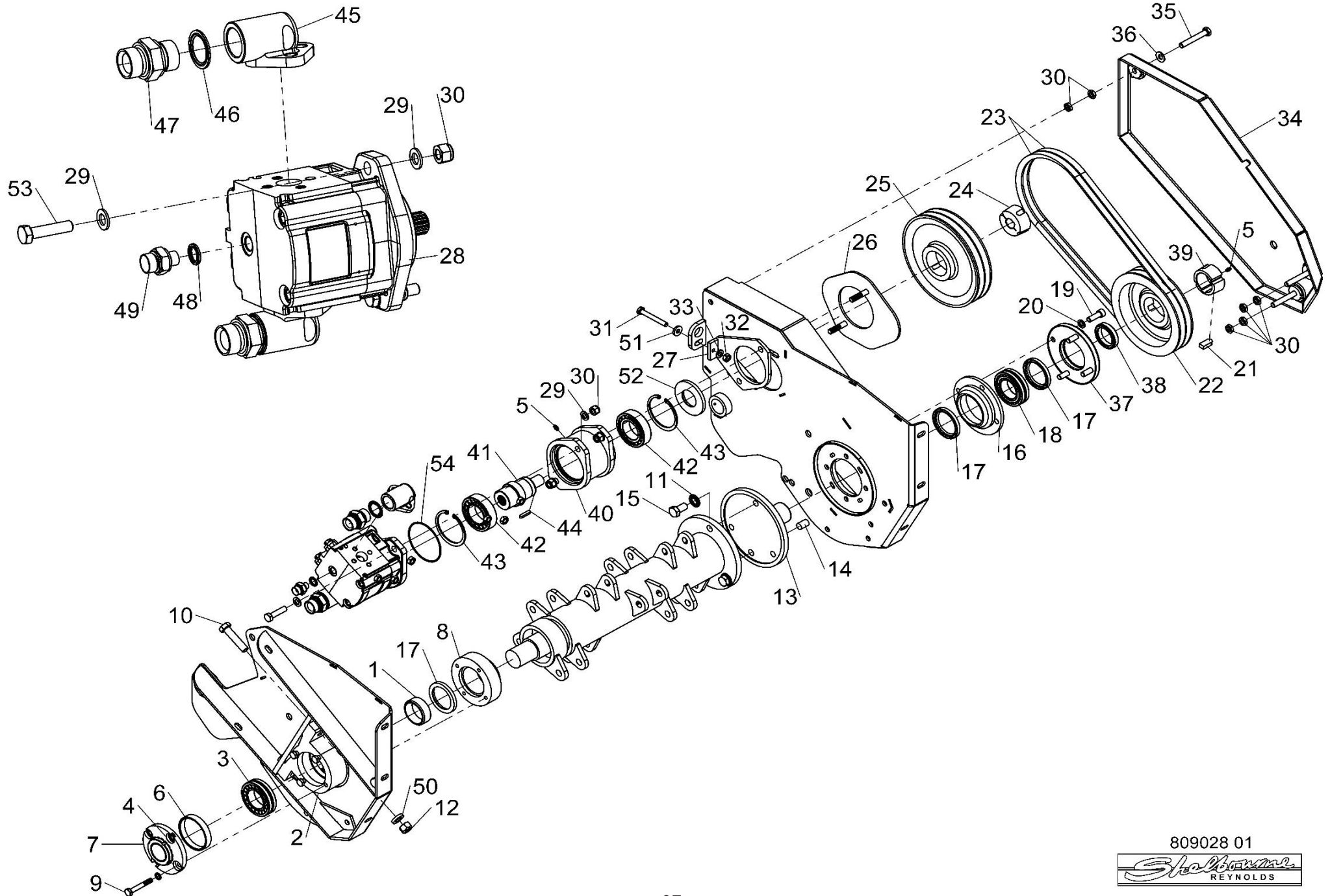
Shelbourne Reynolds Engineering Limited



Shelbourne Reynolds Engineering Limited

ASSY NUMBER: 809028 01				ASSY DESCRIPTION: FLAIL MTG&DRIVE SUB ASSY (PBXXX170760 & ON)			
ITEM	PART NO	DESCRIPTION	QTY	ITEM	PART NO	DESCRIPTION	QTY
1	800019 01	SLEEVE	1	OR	801553 02	DRIVE COVER RH HEAD DRIVE	1
2	800873 01	BEARING HOUSING	1	35	HSSA12500	SETSCREW	3
3	BRG-14580	BEARING	1	36	WSHA30121	WASHER	3
4	BRG-94521	BEARING SLEEVE	1	37	801064 02	BEARING RETAINER	1
5	NIP-00600	GREASE NIPPLE	3	38	801066 01	PULLEY SPACER	1
6	800067 01	SPACER	1	39	BSHZ05056	TAPER LOCK BUSH	1
7	802219 01	COVER	1	40	804790 01	OUTRIGGER HOUSING W/A	1
8	800017 01	SLEEVE (1.2Mt)	1	41	804793 01	OUTRIGGER SHAFT	1
OR	804742 01	SLEEVE (1.5Mt)	1	42	BRG-15082	CYLINDRICAL ROLLER BEARING	2
9	BLTA10440	HEX.HEAD BOLT	4	43	CIR010090	CIRCLIP INT	2
10	BLTA16474	BOLT	2	44	KEYB20000	KEY	1
11	WSHA30161	WASHER	3	45	FITF00005	FLANGE ELBOW CONNECTOR	2
12	NUTA15162	STOVER NUT	2	46	WSH-1025	DOWTY WASHER (1")	2
13	801067 01	DRIVE FLANGE	1	47	FIT-0546	ADAPTOR	2
14	193079 01	DOWEL PIN	1	48	WSH-1010	DOWTY WASHER	1
15	HSSA16200	SETSCREW	3	49	HMA-0065	ADAPTOR	1
16	800700 02	BEARING HOUSING	1	50	190119 85	WASHER	2
17	SEAA06500	SHAFT SEAL	3	51	190119 11	WASHER	1
18	BRG-15080	BEARING	1	52	SEAA05090	RADIAL SHAFT SEAL	1
19	SCW-0245	SOC CAP HD SCREW	4	53	HSS-0260	BOLT	2
20	WSH-0065	SPRING WASHER	3	54	ORA161000	O RING	1
21	K1409032	KEY	1				
22	803097 01	DRIVE PULLEY	1				
23	BEL-10140	V-BELT	2				
24	BSHZ14032	TAPERLOCK BUSH	1		809010 01HYD	HYDRAULICS KIT	
25	-	NOW SEE DRIVE KIT	-				
OR	800027 02	MOTOR PULLEY UPTO PBXXX180900	1		809028 01	1.2m LH HEAD DRIVE	
26	803572 01	RETAINING RING LH HEAD DRIVE	1			FLAIL MTG.& DRIVE SUB ASSY	
OR	803572 02	RETAINING RING RH HEAD DRIVE	1		809028 01A	1.5m LH HEAD DRIVE	
27	800028 01	MOTOR MTG.PLATE LH HEAD DRIVE	1			FLAIL MTG.& DRIVE SUB ASSY	
OR	800028 04	MOTOT MTG PLATE RH HEAD DRIVE	1		809028 01R	1.2m RH HEAD DRIVE	
28	-	NOW SEE DRIVE KIT	-			FLAIL MTG.& DRIVE SUB ASSY	
OR	MOTH03900	HYD MOTOR UPTO PBXXX180900	1		809028 01AR	1.5m RH HEAD DRIVE	
28A	HMS03900	MOTOR SEAL KIT				FLAIL MTG.& DRIVE SUB ASSY	
29	WSH-0018	PLAIN WASHER	6				
30	NUT-0269	NYLOC NUT	7				
31	HSSA10500	SET SCREW	1				
32	NUT-0167	PLAIN NUT	1				
33	WSH-0015	PLAIN WASHER	1				
34	801553 01	DRIVE COVER LH HEAD DRIVE	1				

Shelbourne Reynolds Engineering Limited



809028 01

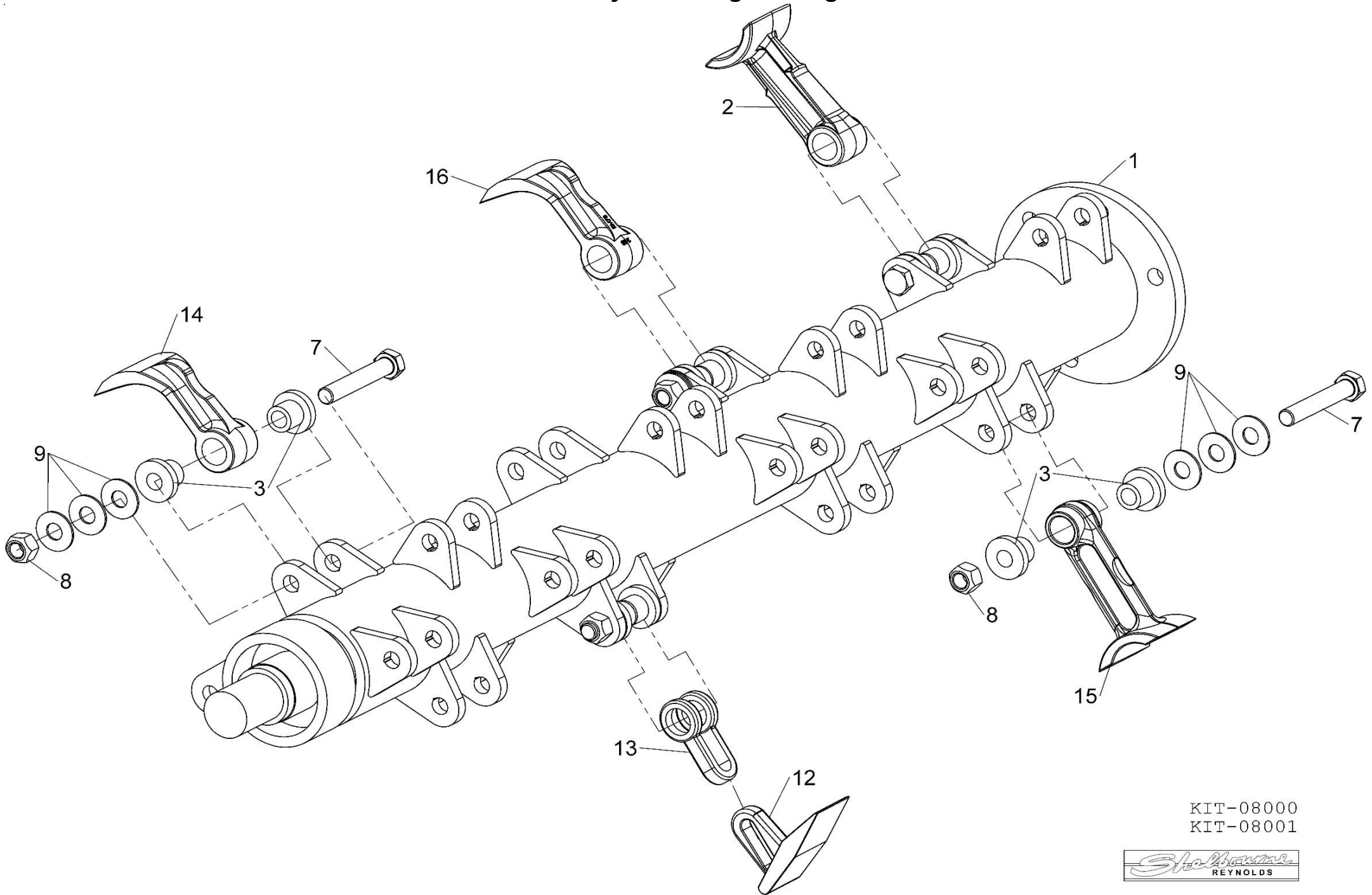


KIT OPTIONS

Shelbourne Reynolds Engineering Limited

ASSY NUMBER:		KIT-08000		ASSY DESCRIPTION: FLAIL ASSY (1.2M) ALL FLAIL TYPES			
ITEM	PART NO	DESCRIPTION	QTY	ITEM	PART NO	DESCRIPTION	QTY
1	801470 01	ROTOR ASSY (1.2M)	1				
OR	800014 08	ROTOR ASSY (1.2M)	1			FOR COMPLETE FLAIL	
		(109456 & ON)				ASSEMBLY ORDER PART NO'S.:	
OR	800014 01	ROTOR ASSY (1.2M)	1			KIT-08000A -T FLAILS (CAST)	
		(UP TO 109456)				UP TO 2018	
2	FLL-05000	T FLAIL (CAST) (KIT-08000A ONLY)	24			KIT-08000B - BOOT FLAILS	
3	805046 01	SPACER	48			KIT-08000C-COMPETITION	
4						- FLAIL	
5						KIT-08000D - T FLAIL (DROP	
6						FORGED) 2018 & ON	
7	BLTD16554	BOLT	24			KIT-08000E - COMPETITION	
OR	BLTD16574	BOLT	AR			FLAIL (DROP FORGED)	
OR	BLTD16604	BOLT	AR				
OR	BLTD16654	BOLT	AR				
8	NUTF15162	STOVER NUT (2006&ON)	24				
OR	NUTF02162	NYLOC NUT (UPTO 2006)	24				
9	800274 01	BALANCE WEIGHT (20G)	AR				
OR	800274 02	BALANCE WEIGHT (30G)	AR				
OR	800274 03	BALANCE WEIGHT (50G)	AR				
10						** <u>IMPORTANT</u> **	
11							
12	FLL-10000	BOOT FLAIL (KIT-08000B ONLY)	24			ENSURE BALANCE WEIGHTS ARE	
13	FLL-15000	SHACKLE (KIT-08000B ONLY)	24			NOT MOVED WHEN REPLACING	
14	FLL-20000	COMP FLAIL (KIT-08000C ONLY)	24			FLAILS.	
15	FLL-05005S	T FLAIL (DROP FORGED) (KIT-08000D)	24			EXACT POSITIONING IS	
16	FLL-20005S	COMP FLAIL (DROP FORGED)	24			CRITICAL TO SMOOTH RUNNING	

Shelbourne Reynolds Engineering Limited

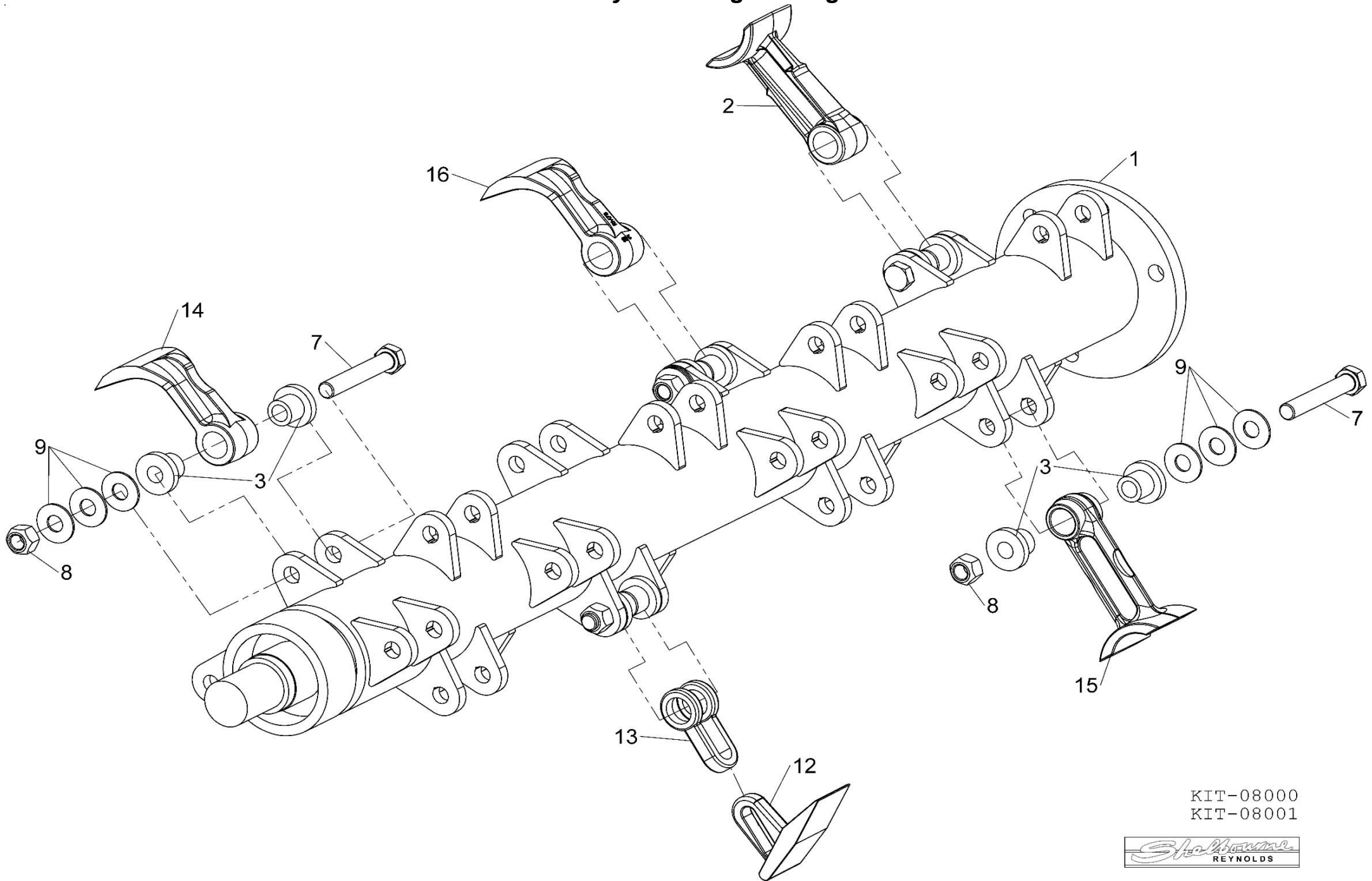


KIT-08000
KIT-08001



Shelbourne Reynolds Engineering Limited

ASSY NUMBER:		KIT-08001		ASSY DESCRIPTION: FLAIL ASSY (1.5M) ALL FLAIL TYPES			
ITEM	PART NO	DESCRIPTION	QTY	ITEM	PART NO	DESCRIPTION	QTY
1	802049 01	ROTOR ASSY (1.5M) (EARLY 2013 & ON)	1			FOR COMPLETE FLAIL ASSEMBLY ORDER PART NO'S.:	
OR	801471 01	ROTOR ASSY (1.5M) (UP TO EARLY 2013)	1				
OR	800015 08	ROTOR ASSY (1.5M) (109456 & ON)	1			KIT-08001A-T FLAILS (CAST) UP TO 2018	
OR	800015 01	ROTOR ASSY (1.5M) (UP TO 109456)	1			KIT-08001B-BOOT FLAILS	
2	FLL-05000	T FLAIL (CAST) (KIT-08001A ONLY)	30				
3	805046 01	SPACER	60			KIT-08001C-COMPETITION - FLAIL	
4							
5							
6						KIT-08001D T FLAIL (DROP FORGED) 2018 & ON	
7	BLTD16554	BOLT	30				
OR	BLTD16574	BOLT	AR				
OR	BLTD16604	BOLT	AR			KIT-08001E - COMPETITION FLAIL (DROP FORGED)	
OR	BLTD16654	BOLT	AR				
8	NUTF15162	STOVER NUT (2006&ON)	30				
OR	NUTF02162	NYLOC NUT (UPTO 2006)	30			** <u>IMPORTANT</u> **	
9	800274 01	BALANCE WEIGHT (20G)	AR				
OR	800274 02	BALANCE WEIGHT (30G)	AR			ENSURE BALANCE WEIGHTS ARE NOT MOVED WHEN REPLACING FLAILS.	
OR	800274 03	BALANCE WEIGHT (50G)	AR			EXACT POSITIONING IS CRITICAL TO SMOOTH RUNNING	
10							
11							
12	FLL-10000	BOOT FLAIL (KIT-08001B ONLY)	30				
13	FLL-15000	SHACKLE (KIT-08001B ONLY)	30				
14	FLL-20000	COMP FLAIL (KIT-08001C ONLY)	30				
15	FLL-05005S	T FLAIL (DROP FORGED) (KIT-08000D)	30				
16	FLL-20005S	COMP FLAIL (DROP FORGED)	30				



KIT-08000
KIT-08001



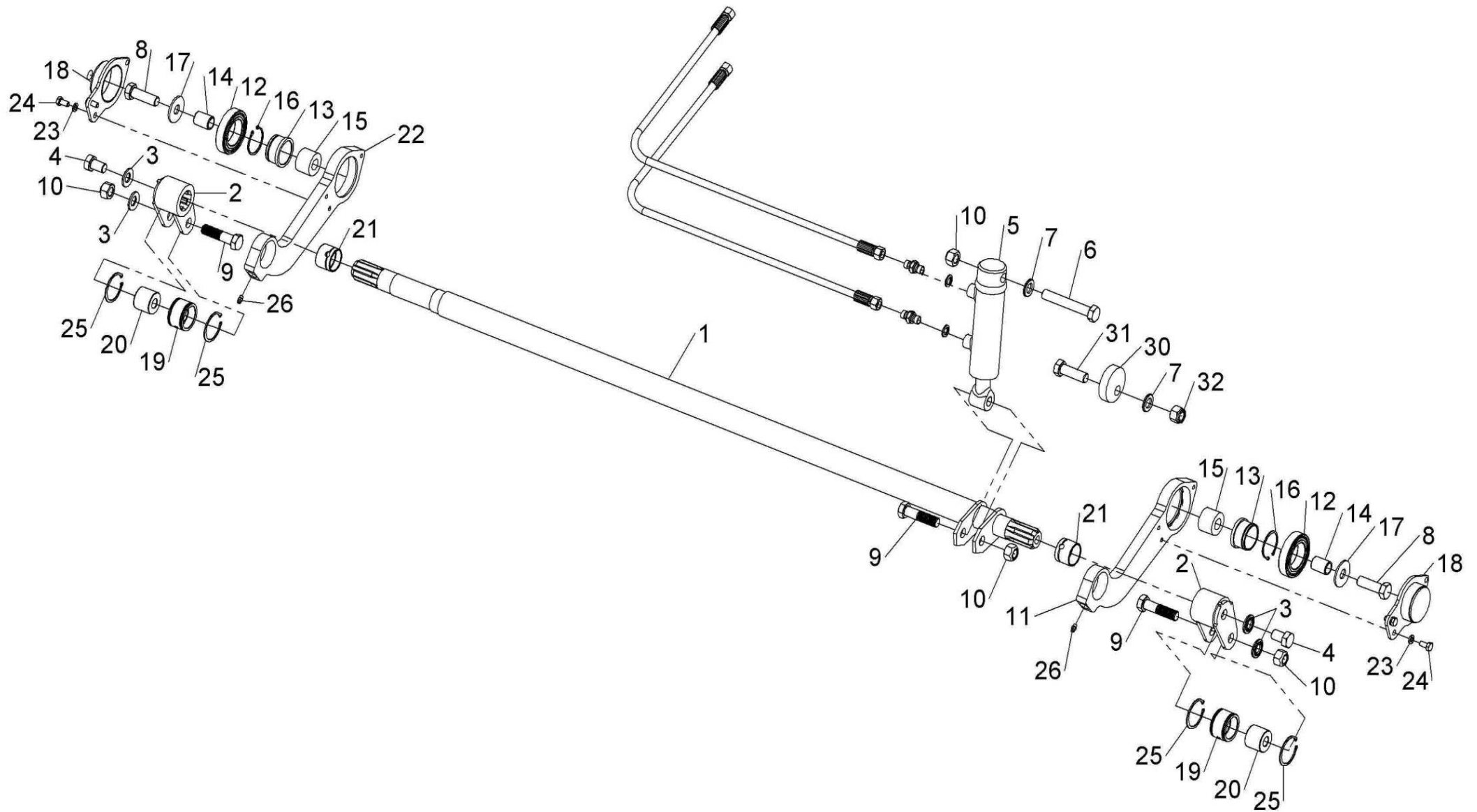
Shelbourne Reynolds Engineering Limited

ASSY NUMBER: KIT-08176				ASSY DESCRIPTION: HYD ADJUSTABLE ROLLER (BEARING TYPE) 2013 & ON			
ITEM	PART NO	DESCRIPTION	QTY	ITEM	PART NO	DESCRIPTION	QTY
1	802684 01 (B)	SHAFT 1.2Mt (LH DRIVE HEAD)	1				
OR	803058 01 (B)	SHAFT 1.2Mt (RH DRIVE HEAD)	1		KIT-08176A	FOR 1.2MT LH DRIVE HEAD	
OR	802684 02 (B)	SHAFT 1.5Mt (LH DRIVE HEAD)	1		KIT-08176B	FOR 1.2MT RH DRIVE HEAD	
OR	803058 02 (B)	SHAFT 1.5Mt (RH DRIVE HEAD)	1		KIT-08176C	FOR 1.5MT LH DRIVE HEAD	
2	801930 01	ARM	2		KIT-08176D	FOR 1.5MT RH DRIVE HEAD	
3	WSHA30161	WASHER	4				
4	HSS-0312	SET SCREW	2				
5	800875 01	CYLINDER	1		KIT-08176AB	FOR 1.2MT LH DRIVE HEAD	
5A	RMSK00360	SEAL KIT	-		KIT-08176BB	FOR 1.2MT RH DRIVE HEAD	
6	BLT-2320	BOLT	1		KIT-08176CB	FOR 1.5MT LH DRIVE HEAD	
7	WSH-0024	WASHER	3		KIT-08176DB	FOR 1.5MT RH DRIVE HEAD	
8	HSS-0930	SET SCREW	2				
9	BLT-2313	BOLT	3				
10	NUTA15162	STOVER NUT	4				
11	802880 01 (B)	LINK PLATE RIGHT HAND	1				
12	BRG-14590	DEEP GROOVE BALL BEARING (SING	2				
13	802677 01	BEARING MOUNT	2				
14	802678 01	SPACER	2				
15	805747 01	WEAR BUSH	2				
16	CIR-0450	EXTERNAL CIRCLIP 45mm	2				
17	198800 54	WASHER	2				
18	804614 01	RETAINING W/A	2				
19	802681 01	BUSH	2				
20	802682 01	BUSH	2				
21	802683 01	TORSION BUSH	2				
22	802881 01 (B)	LINK PLATE LEFT HAND	1				
23	WSH-0058	SPRING WASHER	6				
24	HSS-0135	SETSCREW	6				
25	CIR020047	CIRCLIP (EXTERNAL) FOR 47mm DI	4				
26	NIP-00600	GREASE NIP (C'BORE TYP)	2				
OR	NIP-0001	GREASE NIP (TUBE TYP)	2				
27							
28							
29							
30	803204 01 (B)	CAM PLATE	2				
31	HSS-0318	SET SCREW	2				
32	NUT-0271	NUT	2				

PART No B FOR BLUE MACHINES

**REFER TO KIT-08247 & KIT-08248
FOR HYDRAULICS**

Shelbourne Reynolds Engineering Limited



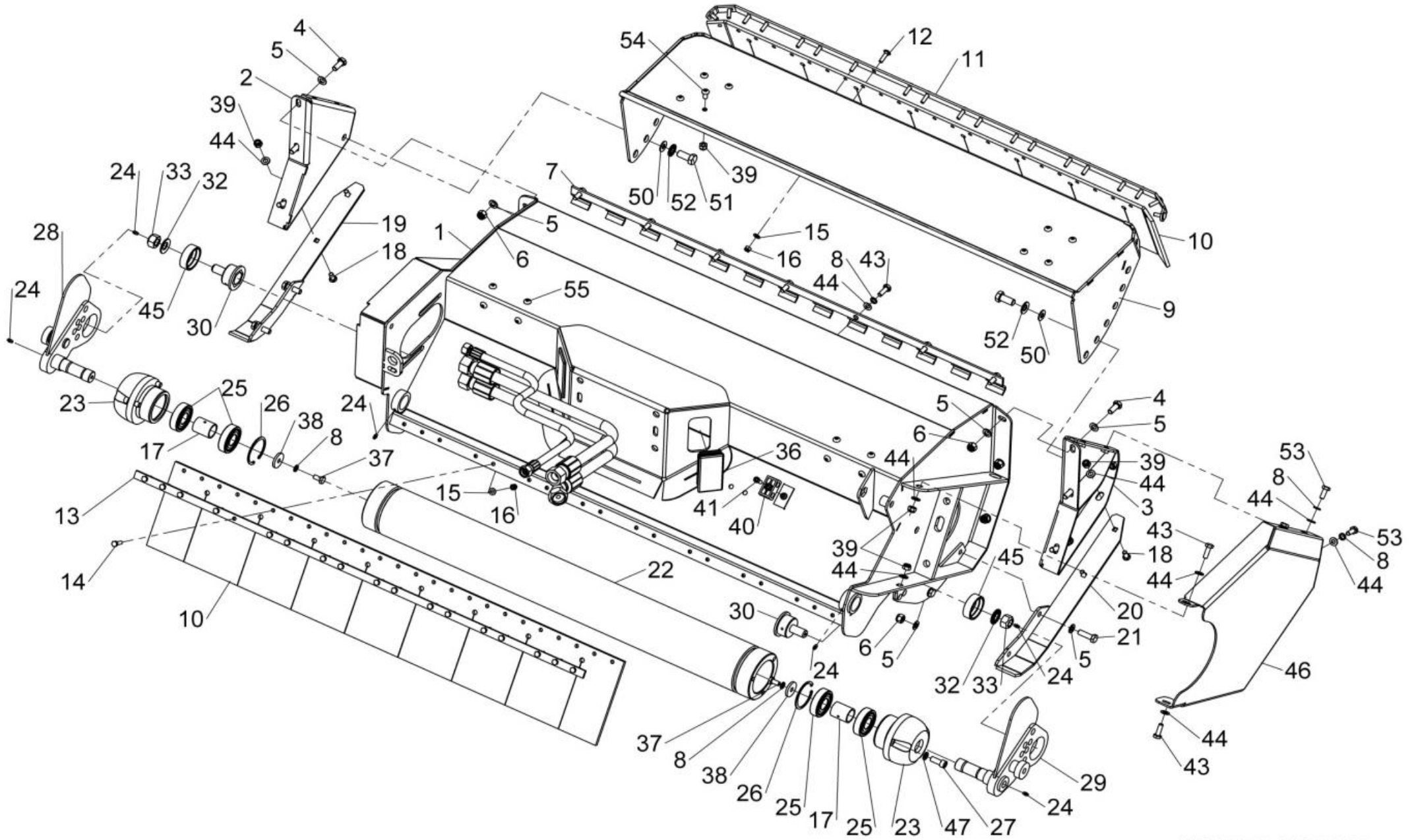
KIT-08176



Shelbourne Reynolds Engineering Limited

ASSY NUMBER: KIT-08177				ASSY DESCRIPTION: HEAD SHELL, NOSE AND ROLLER 1.2m (2013 & ON)			
ITEM	PART NO	DESCRIPTION	QTY	ITEM	PART NO	DESCRIPTION	QTY
1	801670 01	HEAD SHELL (1.2M) LH DRIVE	1	30	802669 01	STUB PIVOT	2
OR	801670 29	HEAD SHELL (1.2M) RH DRIVE	1	31			
2	801689 01	NOSE SIDE PBXXX150404 & ON	1	32	WSHA30201	WASHER	2
OR	800815 01	NOSE SIDE (LH DRIVE) UPTO PBXXX150404	1	33	NUTA15202	STOVER NUT	2
OR	800815 02	NOSE SIDE (RH DRIVE) UPTO PBXXX150404	1	34			
3	801689 02	NOSE SIDE PANEL PBXXX150404 & ON	1	35			
OR	801212 01	NOSE SIDE (LH DRIVE) UPTO PBXXX150404	1	36	CAP-0060	PLASTIC CAP	2
OR	801212 06	NOSE SIDE (RH DRIVE) UPTO PBXXX150404	1	37	HSS-0188	SETSCREW	2
4	HSS-0238	SETSCREW	6	38	190548 01	WASHER	2
5	WSH-0018	PLAIN WASHER	24	39	NUT-0265	NYLOC NUT	16
6	NUT-0269	NYLOC NUT	10	40			
7	803713 01	HINGE PLATE (1.2M)	1	41	SCW-0136	CAP HEAD SCREW	1
8	WSH-0061	SPRING WASHER	12	42			
9	803781 01	NOSE (1.2m) PBXXX160631 & ON	1	43	HSS-0194	SETSCREW	9
OR	801903 01	NOSE (1.2m) PBXXX150404 TO 160631	1	44	WSH-0015	WASHER	18
OR	800820 01	NOSE (1.2m) UPTO PBXXX150404	1	45	802667 01	BUSH	2
10	800068 01	CURTAIN (1.2M)	2	46	801213 01	HEAD SKID COVER (LH DRIVE)	1
11	800825 01	FIXING STRIP (1.2M)	1	OR	801213 02	HEAD SKID COVER (RH DRIVE)	1
12	BLT-2700	COACHBOLT	20	47	WSH-0065	SPRING WASHER	6
13	800069 01	FIXING STRIP (1.2M)	1	48			
14	HSS-0150	SETSCREW	18	49			
15	WSH-0012	PLAIN WASHER	38	50			
16	NUT-0263	NYLOC NUT	38	51	HSS-0315	SETSCREW	2
17	801950 01	SPACER TUBE	2	52	WSHA30161	WASHER PBXXX150404 & ON	2
18	BLT-3745	COACHBOLT	4	OR	WSHA30121	WASHER UPTO PBXXX150404	2
19	800881 01	SKID W/A LH	1	53	HSS-0191	SETSCREW	3
20	800881 02	SKID W/A RH	1	54	SCW-0514	CAP HEAD SCREW	8
21	HSS-0250	SETSCREW	4	55	SCBA10114	CAP HEAD SCREW	11
22	801971 01	ROLLER (1.2M)	1				
23	801944 01	END CAP	2			REFER TO KIT-08247 FOR HYDRAULICS	
24	NIP-00600	GREASE NIPPLE	6				
25	BRG-13005	BEARING	4				
26	CIR-0720	CIRCLIP	2				
27	SCW-0243	CAP HEAD SCREW	6				
28	802664 02	BRACKET ADJUSTABLE LH	1				
29	802664 01	BRACKET ADJUSTABLE RH	1				

Shelbourne Reynolds Engineering Limited



KIT-08177 KIT-08178

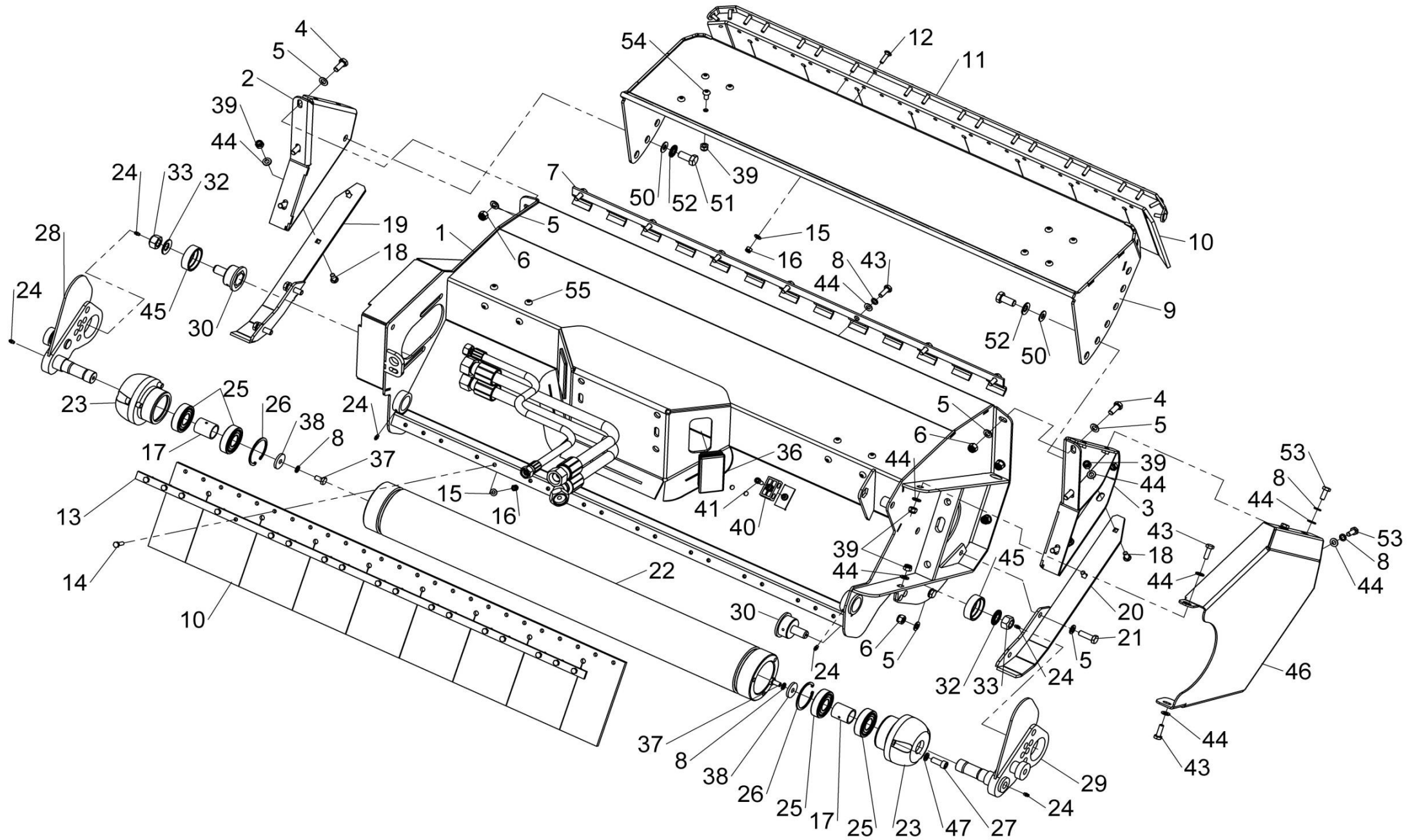


Shelbourne Reynolds Engineering Limited

ASSY NUMBER:		KIT-08178		ASSY DESCRIPTION:		HEAD SHELL, NOSE AND ROLLER 1.5m (2013 & ON)	
ITEM	PART NO	DESCRIPTION	QTY	ITEM	PART NO	DESCRIPTION	QTY
1	801670 02	HEAD SHELL (1.5M)LH DRIVE	1	30	802669 01	STUB PIVOT	2
OR	801670 30	HEAD SHELL (1.5M)RH DRIVE	1	31			
2	801689 01	NOSE SIDE PBXXX150404 & ON	1	32	WSHA30201	WASHER	2
OR	800815 01	NOSE SIDE (LH DRIVE) UPTO PBXXX150404	1	33	NUTA15202	STOVER NUT	2
OR	800815 02	NOSE SIDE (RH DRIVE) UPTO PBXXX150404	1	34			
3	801689 02	NOSE SIDE PBXXX150404 & ON	1	35			
OR	801212 01	NOSE SIDE (LH DRIVE) UPTO PBXXX150404	1	36	CAP-0060	PLASTIC CAP	2
OR	801212 06	NOSE SIDE (RH DRIVE) UPTO PBXXX150404	1	37	HSS-0188	SETSCREW	2
4	HSS-0238	SETSCREW	6	38	190548 01	WASHER	2
5	WSH-0018	PLAIN WASHER	24	39	NUT-0265	NYLOC NUT	16
6	NUT-0269	NYLOC NUT	10	40			
7	803714 01	HINGE PLATE (1.5M)	1	41	SCW-0136	CAP HEAD SCREW	1
8	WSH-0061	SPRING WASHER	12	42			
9	803779 01	NOSE (1.5m) PBXXX160631) & ON	1	43	HSS-0194	SETSCREW	9
OR	802447 01	NOSE (1.5m) PBXXX(150404) TO(160631)	1	44	WSH-0015	WASHER	18
OR	800820 02	NOSE (1.5m) UPTO PBXXX150404	1	45	802667 01	BUSH	2
10	800068 02	CURTAIN (1.5M)	2	46	801213 01	HEAD SKID COVER(LH DRIVE)	1
11	800825 02	FIXING STRIP (1.5M)	1	OR	801213 02	HEAD SKID COVER(RH DRIVE)	1
12	BLT-2700	COACHBOLT	20	47	WSH-0065	SPRING WASHER	6
13	800069 02	FIXING STRIP (1.5M)	1	48			
14	HSS-0150	SETSCREW	18	49			
15	WSH-0012	PLAIN WASHER	38	50			
16	NUT-0263	NYLOC NUT	38	51	HSS-0315	SETSCREW	2
17	801950 01	SPACER TUBE	2	52	WSHA30161	WASHER PBXXX150404 & ON	2
18	BLT-3745	COACHBOLT	4	OR	WSHA30121	WASHER UPTO PBXXX150404	2
19	800881 01	SKID W/A LH	1	53	HSS-0191	SETSCREW	3
20	800881 02	SKID W/A RH	1	54	SCW-0514	CAP HEAD SCREW	8
21	HSS-0250	SETSCREW	4	55	SCBA10114	CAP HEAD SCREW	11
22	801976 01	ROLLER (1.5M)	1				
23	801944 01	END CAP	2				
24	NIP-00600	GREASE NIPPLE	6				
25	BRG-13005	BEARING	4				
26	CIR-0720	CIRCLIP	2				
27	SCW-0243	CAP HEAD SCREW	6				
28	802664 02	BRACKET ADJUSTABLE LH	1				
29	802664 01	BRACKET ADJUSTABLE RH	1				

REFER TO KIT-08248 FOR HYDRAULICS

Shelbourne Reynolds Engineering Limited



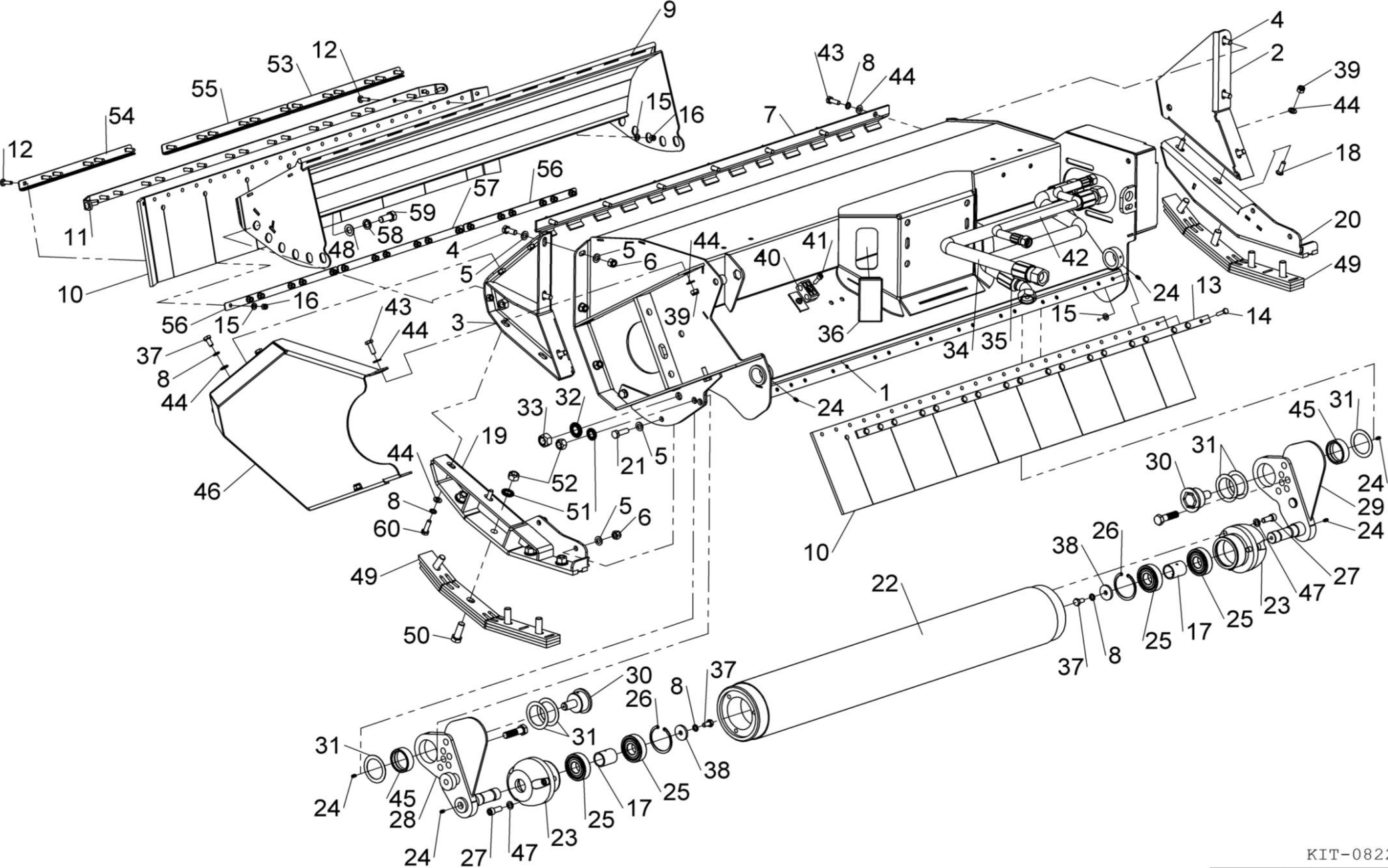
KIT-08177 KIT-08178



Shelbourne Reynolds Engineering Limited

ASSY NUMBER: KIT-08226				ASSY DESCRIPTION: HEAD SHELL, NOSE AND ROLLER 1.2m. (VERGE MOWING) 2014 & ON			
ITEM	PART NO	DESCRIPTION	QTY	ITEM	PART NO	DESCRIPTION	QTY
1	801670 01	HEAD SHELL (1.2M) (LH DRIVE)	1	37	HSS-0188	SETSCREW	5
OR	801670 29	HEAD SHELL (1.2M) (RH DRIVE)	1	38	190548 01	WASHER	2
2	801686 02	NOSE SIDE PANEL (LH DRIVE)	1	39	NUT-0265	NYLOC NUT	6
OR	801686 01	NOSE SIDE PANEL (RH DRIVE)	1	40			
3	801689 02	NOSE SIDE PANEL (LH DRIVE)	1	41	SCW-0136	CAP HEAD SCREW	1
OR	801689 01	NOSE SIDE PANEL (RH DRIVE)	1	42			
4	HSS-0238	SETSCREW	6	43	HSS-0194	SETSCREW	9
5	WSH-0018	PLAIN WASHER	24	44	WSH-0015	PLAIN WASHER	18
6	NUT-0269	NYLOC NUT	10	45	802667 01	BUSH	2
7	800812 01	HINGE PLATE (1.2M)	1	46	801213 01	HEAD SKID COVER (LH DRIVE)	1
8	WSH-0061	SPRING WASHER	14	OR	801213 02	HEAD SKID COVER (RH DRIVE)	1
9	801903 01	NOSE (1.2m)	1	47	WSH-0065	SPRING WASHER	6
10	800068 01	CURTAIN (1.2M)	2	48	WSH-0024	WASHER	2
11	800825 01	FIXING STRIP (1.2M)	1	49	805186 01	SKID RUNNER	2
12	BLT-2700	COACHBOLT	38	50	HSS-0317	SETSCREW	8
13	800069 01	FIXING STRIP (1.2M)	1	51	WSHA30161	WASHER	7
14	HSS-0150	SETSCREW	18	52	NUTA15162	NYLOC NUT	8
15	WSH-0012	PLAIN WASHER	56	53	801993 01	WEAR STRIP RH	1
16	NUT-0263	NYLOC NUT	56	54	801993 02	WEAR STRIP LH	1
17	801950 01	SPACER TUBE	2	55	801995 01	WEAR STRIP BALANCE WEIGHT	1
18	BLTF10231	COACHBOLT	2	56	801994 01	BACKING STRIP	2
19	802703 01	SKID PLATE W/A LH	1	57	801996 01	BACKING STRIP	1
20	802703 02	SKID PLATE W/A RH	1	58	WSH-0070	WASHER	2
21	HSS-0250	SETSCREW	4	59	HSS-0315	SETSCREW	2
22	801945 01	RUBBER ROLLER	1	60	HSS-0198	SETSCREW	2
OR	801949 01	STEEL ROLLER (6INCH)	1				
23	801944 01	END CAP	2				
24	NIP-00600	GREASE NIPPLE	6				
25	BRG-13005	BEARING	4				
26	CIR-0720	CIRCLIP	2				
27	SCW-0243	CAP HEAD SCREW	6				
28	803734 01	BRACKET ADJUSTABLE LH	1				
29	803734 02	BRACKET ADJUSTABLE RH	1				
30	802669 01	STUB PIVOT	2				
31	802673 01	SHIM	6				
32	WSHA30201	PLAIN WASHER	4				
33	NUTA15202	NYLOC NUT	2				
34							
35							
36	CAP-0060	PLASTIC CAP	2				

Shelbourne Reynolds Engineering Limited

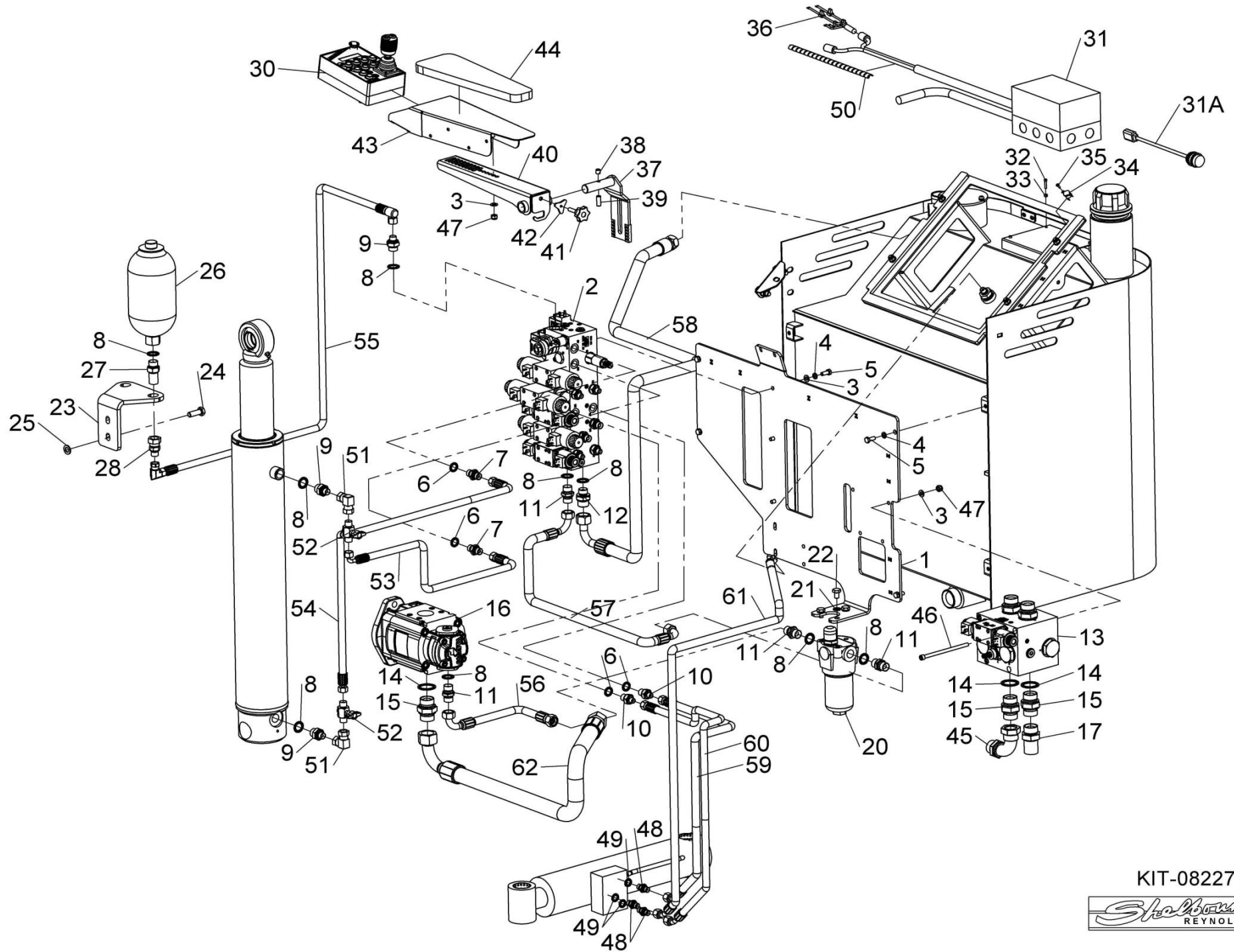


KIT-08226
Shelbourne
REYNOLDS

Shelbourne Reynolds Engineering Limited

ASSY NUMBER: KIT-08227				ASSY DESCRIPTION: HD800 VALVES AND CONTROLS			
ITEM	PART NO	DESCRIPTION	QTY	ITEM	PART NO	DESCRIPTION	QTY
1	804025 01	VALVE PLATE	1	37	801121 01	ARM REST BRACKET	1
2	HVB-19145	VALVE BLOCK CYLINDERS	1	38	SCW-4590	GRUBSCREW	1
3	WSH-0012	WASHER	9	39	SCGA10178	GRUBSCREW	1
4	WSH-0058	SPRING WASHER	7	40	802218 01	ARM REST W/A	1
5	HSS-0140	SETSCREW	7	41	KNO-0002	KNOB	1
6	WSH-1010	DOWTY WASHER	10	42	801100 01	LOCK	1
7	HMA-0057	ADAPTOR	4	43	802239 01	JOYSTICK MTG	1
8	WSH-1015	DOWTY WASHER	9	44	802242 01	FOAM PADDING	1
9	HMA-0065	ADAPTOR	3	45	HAAJAA1313	ADAPTOR ELBOW	1
10	FIT-0025	ADAPTOR	6	46	SCCA08683	CAP HEAD SCREW	4
11	HMA-0067	ADAPTOR	4	47	NUT-0263	NYLOC NUT	6
12	HMA-0060	ADAPTOR	1	48	HMA-0052	ADAPTER	3
13	HVB-19120	MOTOR CONTROL VALVE	1	49	WSH-1005	DOWTY WASHER	3
14	WSH-1025	DOWTY WASHER	5	50	SLV-00300	SPIRAL TUBING	5m
15	FIT-0546	ADAPTOR	4	51	HAKAA0505	ADAPTOR	2
16		NOW SEE DRIVE KIT	-	52	HVB-02620	TAP	2
OR	PUM090720	TADEM PUMP PBXXX170729 TO 900	1	53	HHBE10205	HOSE	1
OR	PUM090661	TADEM PUMP UPTO PB8xx170729	1	54	HHAE13405	HOSE	1
17	HAGAA1313	BULKHEAD ADAPTOR	1	55	HHCE11005	HOSE	1
				56	HHBF06005	HOSE	1
				57	HHEF07505	HOSE	1
20	FIL-0220A	IN-LINE PRESSURE FILTER	1	58		NOW SEE BOOM KIT	
20A	FIL-0230A	FILTER ELEMENT - REPLACEMENT	-	59	HHDC10105	HOSE	1
21	WSH-0061	SPRING WASHER	3	60	HHDC09405	HOSE	1
22	HSS-0191	SETSCREW	3	61	HHKC13005	HOSE	1
23	804882 01	ACCUMULATOR BRACKET	1	62	HHEI05005	HOSE 2019 & ON	1
24	HSS-0241	SETSCREW	2	OR	HHBI05005	HOSE UPTO 2019	
25	WSH-0018	WASHER	2	63	803348 01	TRANSFER	1
26	HYA-01440	ACCUMULATOR	1				
27	HAGAA0707	BULKHEAD ADAPTOR	1				
28	FIT-0240	ADAPTOR	1				
29							
30	803990 01	VVRT2 ELECTRONIC JOYSTICK UNIT	1				
30A	JOY-05025	JOYSTICK WITH CONECTOR	-				
31	803991 01	VVRT2 MACHINE END ELECTRONICS	1				
31A	801310 01	SENSOR	-				
32	SCW-0035	CAP HEAD SCREW	4				
33	NUT-0255	NYLOC NUT	4				
34	SWT-32500	THERMAL SWITCH	1				
35	SCW-5104	SCREW	2				
36	801127 01	POWER CONNECTION KIT	1				

Shelbourne Reynolds Engineering Limited

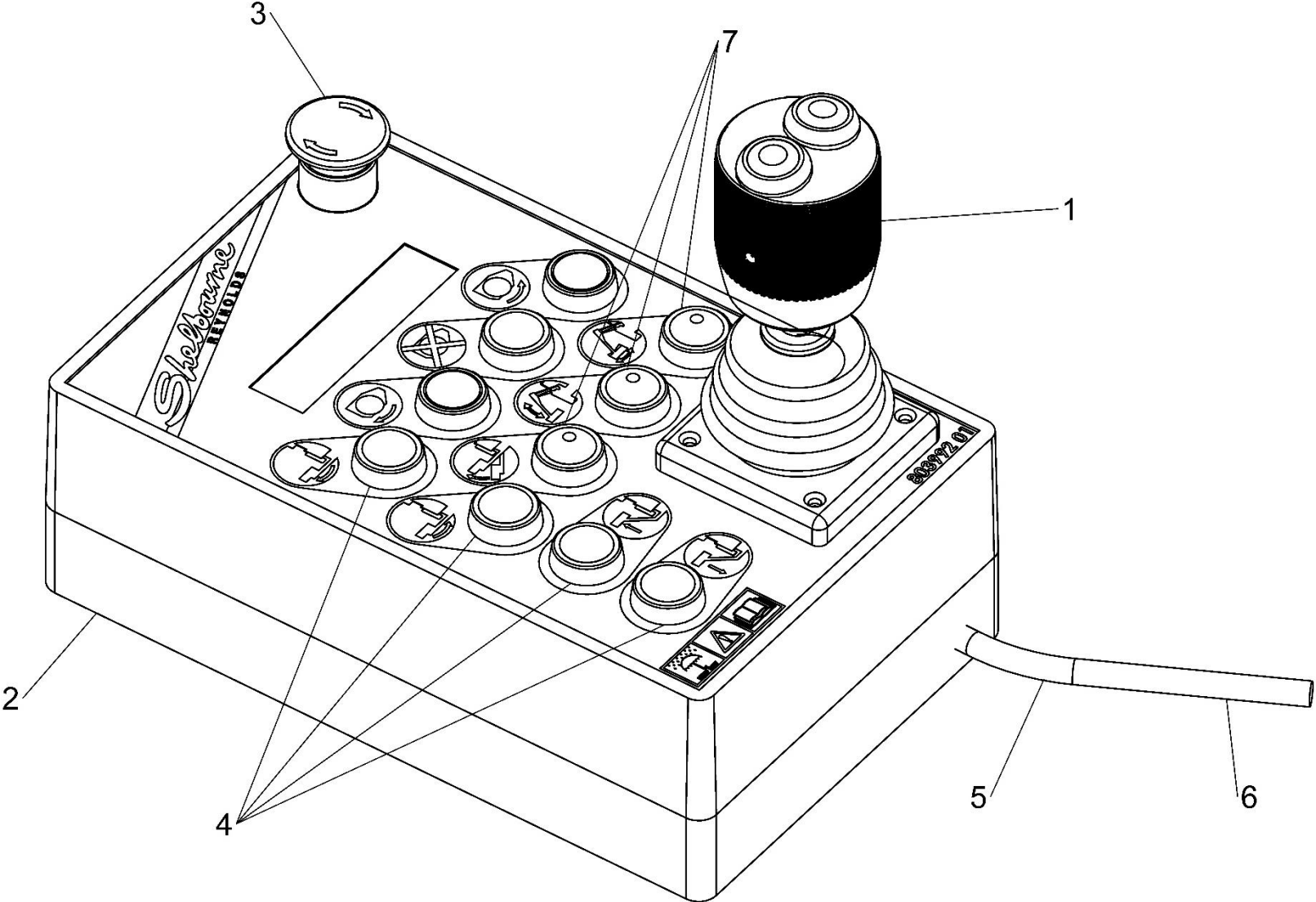


KIT-08227



Shelbourne Reynolds Engineering Limited

ASSY NUMBER: 803990 01				ASSY DESCRIPTION: VFRT2 ELECTRONIC JOYSTICK UNIT			
ITEM	PART NO	DESCRIPTION	QTY	ITEM	PART NO	DESCRIPTION	QTY
1	JOY-05025	JOYSTICK WITH CONNECTOR	1				
2	PCB-00050	PRINTED CIRCUIT BOARD	1				
3	SWT-02000	EMERGENCY STOP	1				
4	SWT-00810	PLAIN BLACK BUTTON	4				
5	ECN-00192	CONNECTOR	1				
6	ECN-09040	PIN ELEMENT MALE FOR CONNECTOR	7				
7	SWT-00820	BLACK BUTTON WITH LED	3				



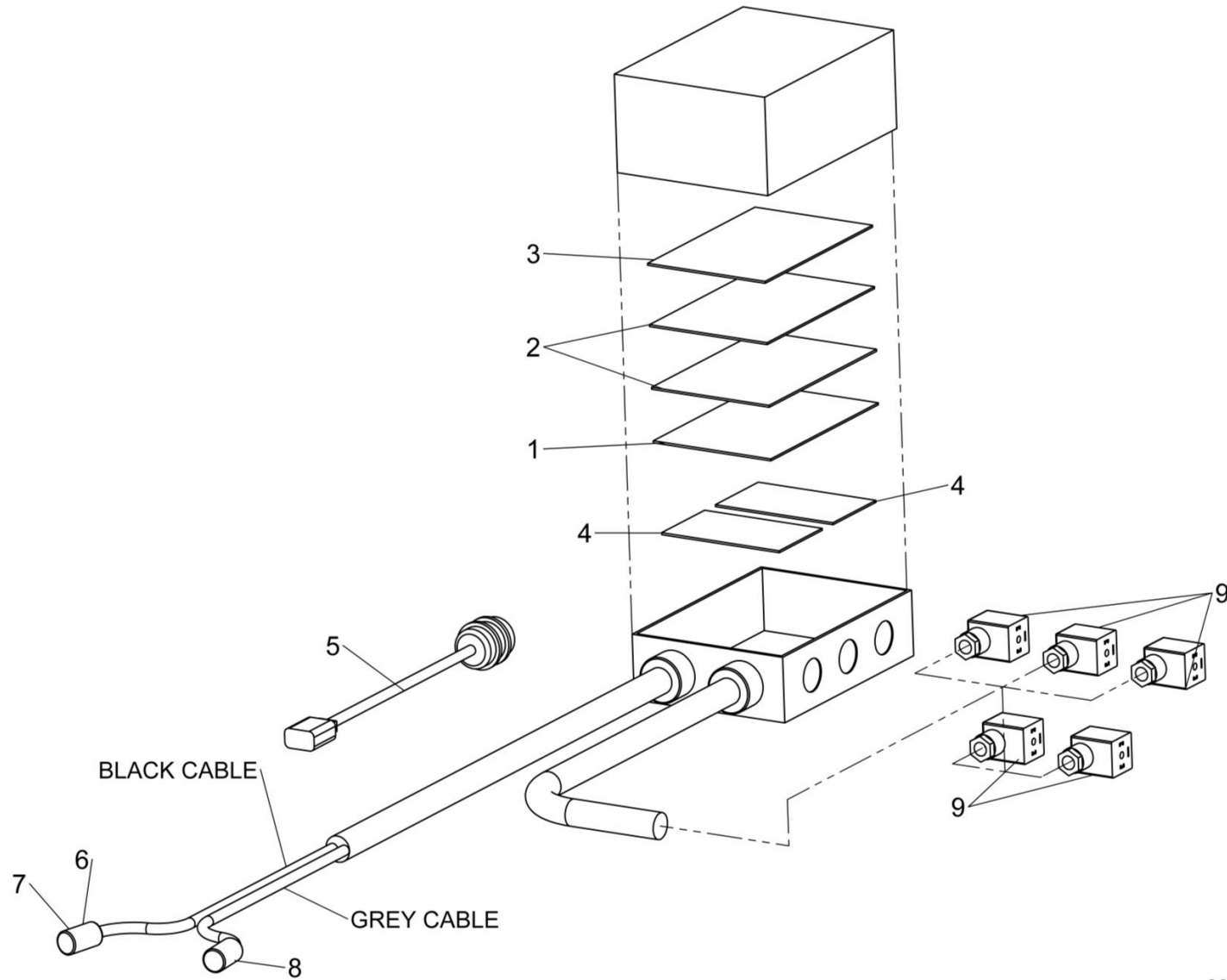
803990 01



Shelbourne Reynolds Engineering Limited

ASSY NUMBER: 803991 01				ASSY DESCRIPTION: VFRT2 MACHINE END ELECTRONICS			
ITEM	PART NO	DESCRIPTION	QTY	ITEM	PART NO	DESCRIPTION	QTY
1	PCB-00035	BOTTOM CIRCUIT BOARD	1				
2	PCB-00040	2nd & 3rd FROM BOTTOM BOARD	2				
3	PCB-00045	TOP BOARD WITH DISPLAY	1				
4	RLY-00010	RELAY	2				
5	801310 01	SWITCH	1				
6	ECN-00191	CONNECTOR PLUG FEMALE	1				
7	ECN-09030	PIN ELEMENT FEMALE	7				
8	ECN-00230	4 WAY CONNECTOR PLUG	1				
9	ECN-00270	SCREW SOLENOID CONNECTOR	5				

Shelbourne Reynolds Engineering Limited

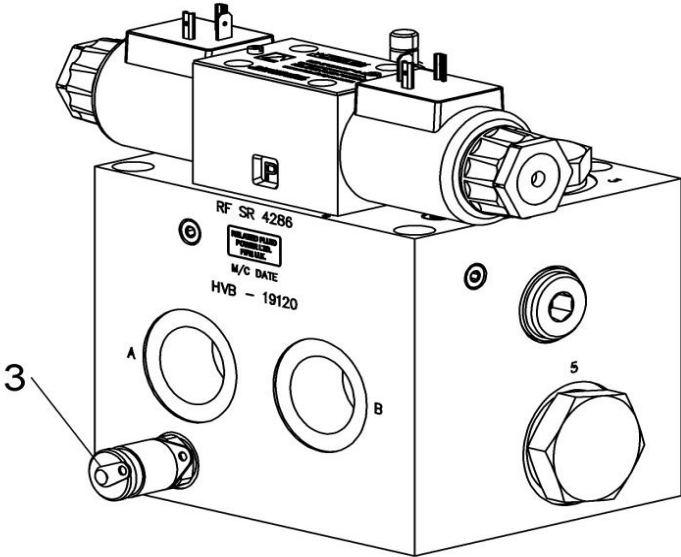
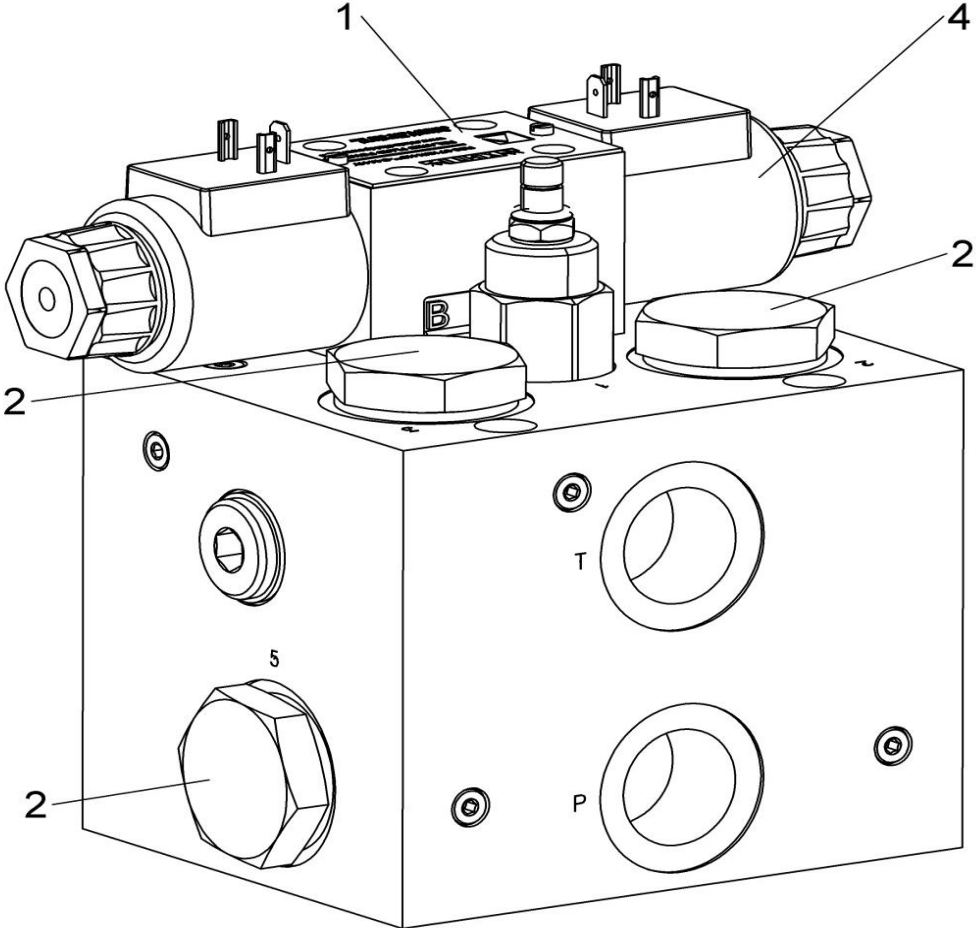


803991 01



Shelbourne Reynolds Engineering Limited

ASSY NUMBER: HVB-19120				ASSY DESCRIPTION: ROTOR CONTROL VALVE			
ITEM	PART NO	DESCRIPTION	QTY	ITEM	PART NO	DESCRIPTION	QTY
1	HVB-90066	VALVE INC COIL	1				
1a	VSK-00130	SEAL KIT	1				
2	HVB-90065	VALVE	4				
2a	VSK-00170	SEAL KIT	-				
3	HVB-90100	TEST PORT	1				
4	HVB-90077	COIL	1				



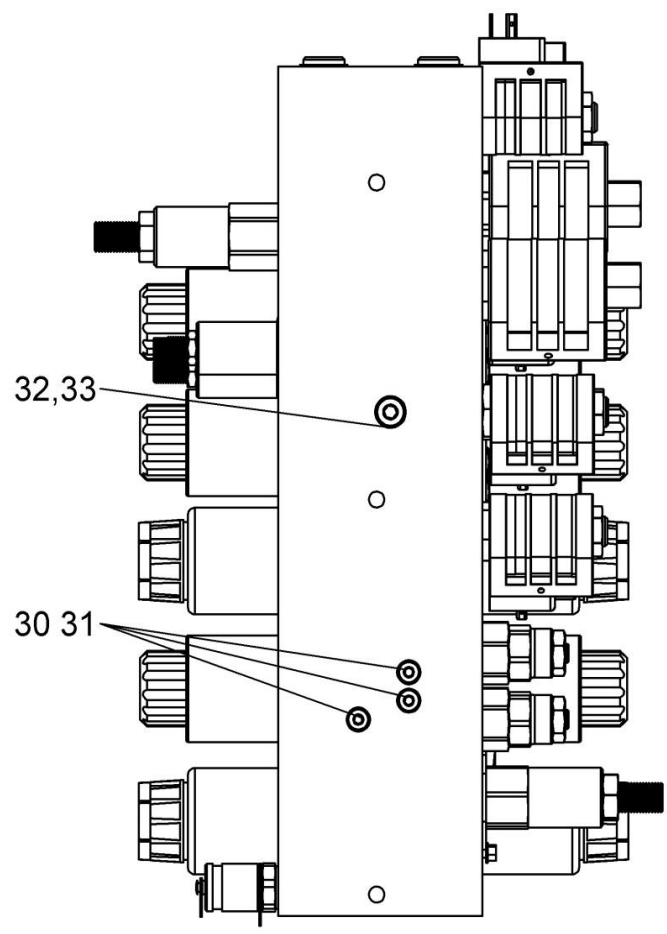
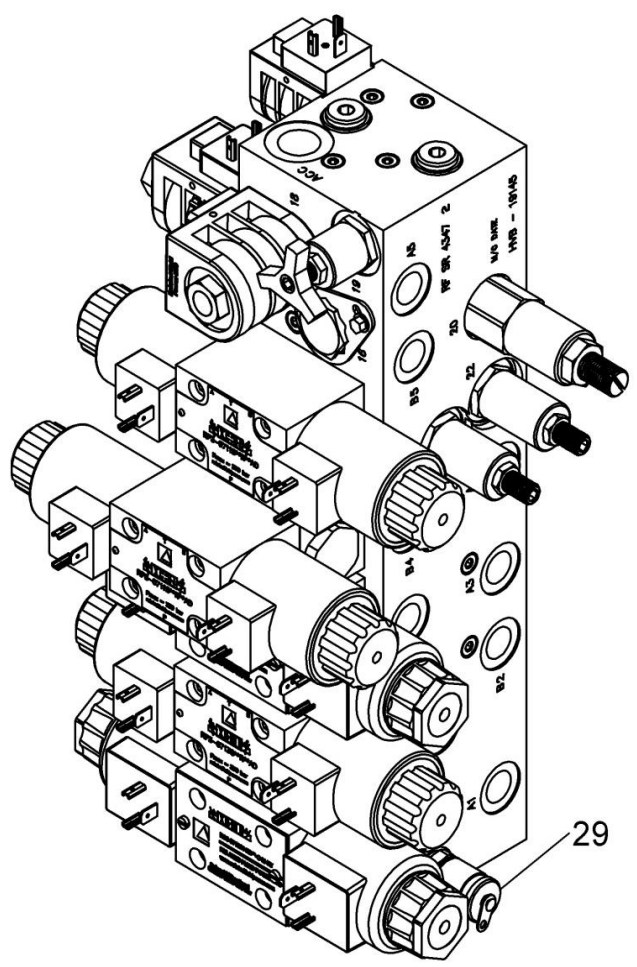
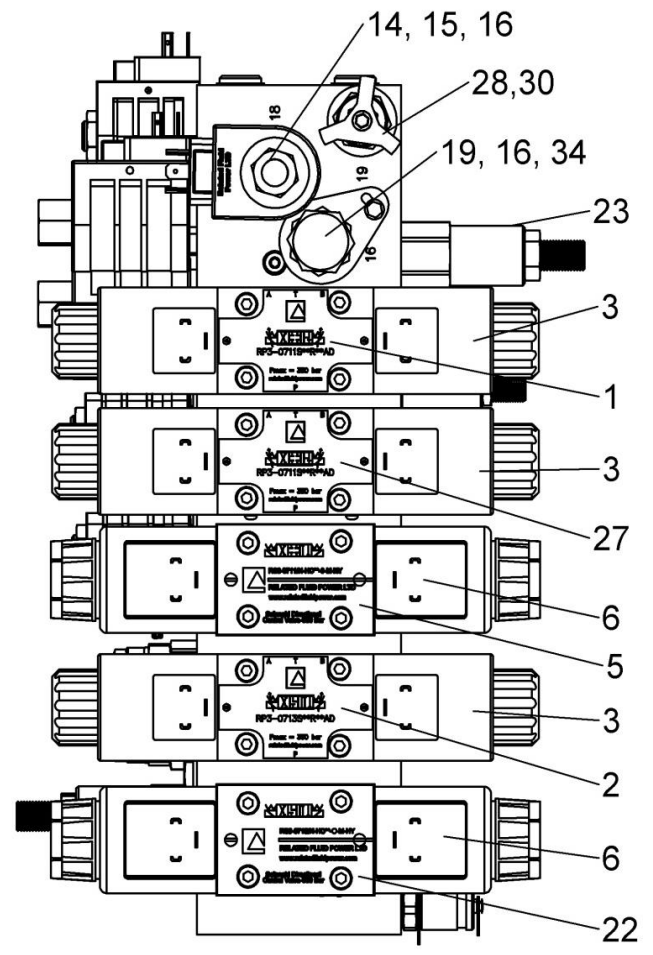
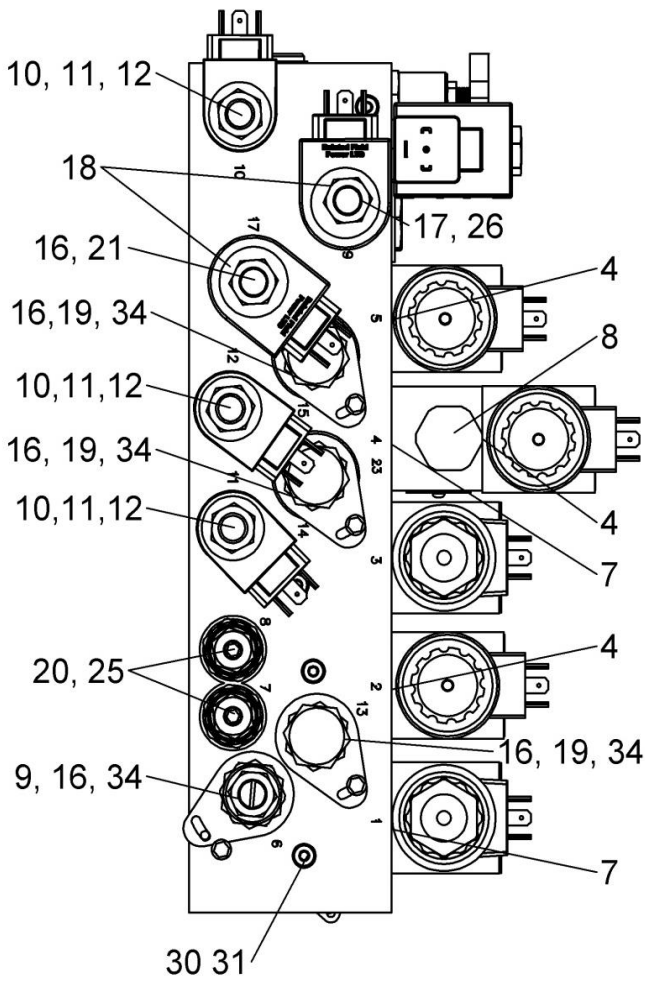
HVB-19120



Shelbourne Reynolds Engineering Limited

ASSY NUMBER: HVB-19145				ASSY DESCRIPTION: VALVE BLOCK CYLINDERS			
ITEM	PART NO	DESCRIPTION	QTY	ITEM	PART NO	DESCRIPTION	QTY
1	HVB-90051	VALVE INC COIL (LIFT)	1				
2	HVB-90062	VALVE INC COIL (REACH)	1				
3	HVB-90050	COIL	6				
4	VSK-00160	SEAL KIT (FOR ITEMS 1 AND 2)	3				
5	HVB-90060	VALVE (SLEW)	1				
6	HVB-90077	COIL (2012 & ON)	4				
7	VSK-00130	SEAL KIT (FOR ITEMS 5 , 8 AND 22)	3				
8	HVB-90064	CHECK VALVE BLOCK	1				
9	HVC-00570	RELIEF VALVE	1				
10	HVB-90052	SPOOL VALVE (NO COIL)	3				
OR	HVB-90071	SPOOL VALVE INC COIL	-				
11	HVB-90075	COIL	1				
12	HVB-90058	SEAL KIT	3				
13	HVB-90053	NUT SMALL	3				
14	HVB-90074	LOAD HOLD VALVE	1				
15	HVC-01001	COIL	1				
16	HVB-90057	SEAL KIT	1				
17	HVB-90076A	CHECK VALVE	1				
18	HVB-90054	NUT	2				
19	HVB-90063	CHECK VALVE	4				
20	HVB-90073	OVERCENTRE VALVE	2				
21	HVB-90055	DUMP VALVE	1				
22	HVB-90066	VALVE (TELE)	1				
23	HVB-90094	PRESSURE REDUCING VALVE	1				
24	HVB-90095	RELIEF VALVE	2				
25	VSK-00300	SEAL KIT	1				
26	HVB-90097	SEAL KIT	1				
27	HVB-90091	VALVE INC COIL (H/ANG)	1				
28	VSK-00310	SEAL KIT	1				
29	HVB-90100	TEST PORT	1				
30	HVB-90101	ZERO LEAK PLUG (SIZE 02)	15				
31	ORA 060060	O RING	15				
32	HVB-90102	ZERO LEAK PLUG (SIZE 04)	1				
33	ORA0 60080	O RING	1				
34	ORA 1401918	O RING	5				

Shelbourne Reynolds Engineering Limited



HVB-19145



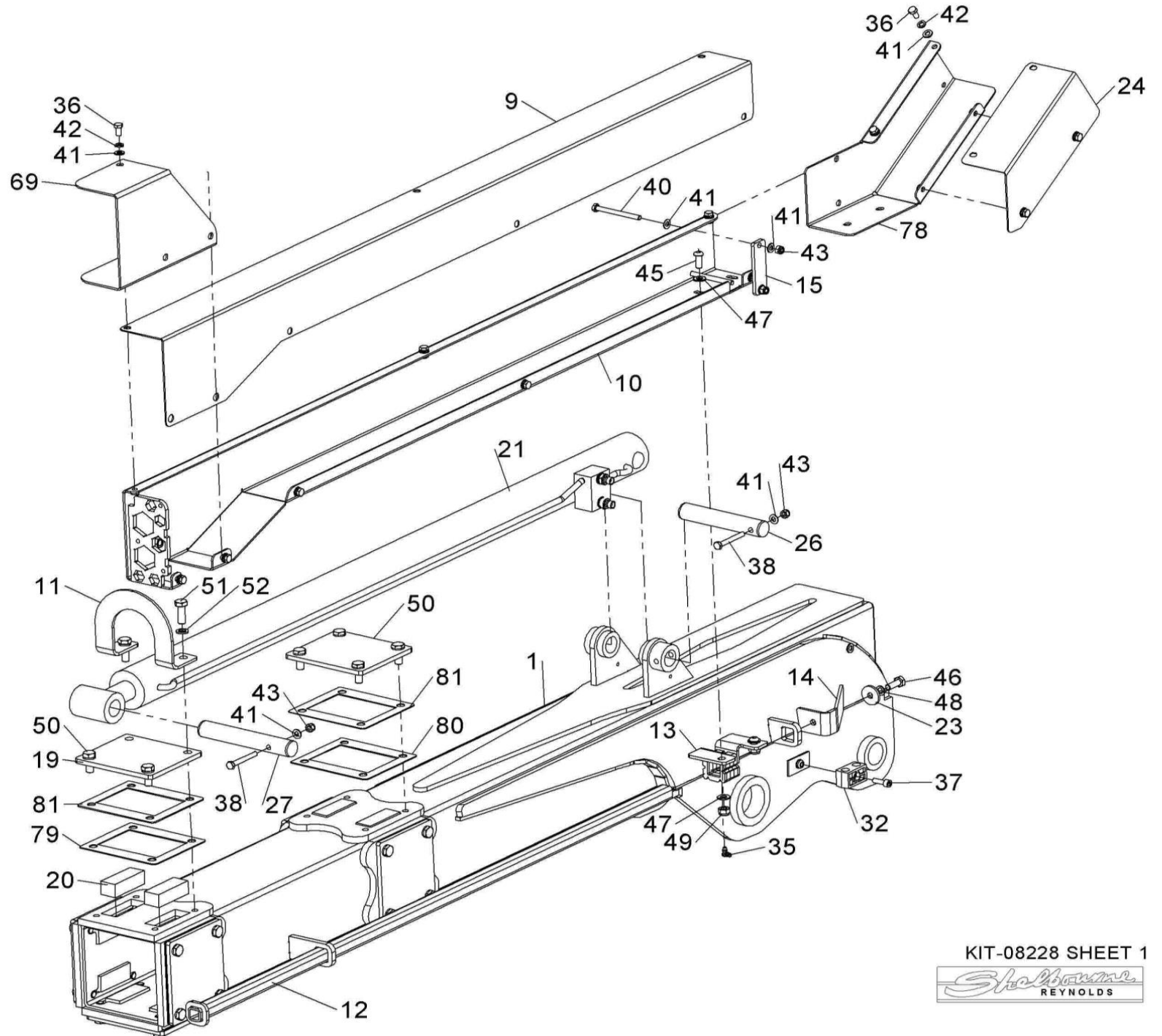
Shelbourne Reynolds Engineering Limited

ASSY NUMBER: KIT-08228				ASSY DESCRIPTION: HD860T TELESCOPIC OUTER BOOM KIT			
ITEM	PART NO	DESCRIPTION	QTY	ITEM	PART NO	DESCRIPTION	QTY
1	803785 01	6m TOP TELE BEAM	1	41	WSH-0012	WASHER	19
2	804480 01	6m INTERNAL TELE BEAM	1	42	WSH-0058	SPRING WASHER	8
3		NOW SEE PIVOT SHOE KIT		43	NUT-0263	NYLOC NUT	9
4		NOW SEE PIVOT SHOE KIT		44	HSS-0191	BOLT	2
5		NOW SEE PIVOT SHOE KIT		45	SCW-0516	BUTTON SCREW	2
6	803643 01	CURVE LINK	1	46	HSS-0194	BOLT	1
7	803645 01	2ND CURVE LINK	1	47	WSH-0015	WASHER	6
8		NOW SEE PIVOT SHOE KIT		48	WSH-0061	SPRING WASHER	1
9	803802 01	6m OUTER HOSE COVER	1	49	NUT-0265	NYLOC NUT	2
10	803822 01	6m INNER HOSE COVER	1	50	HSS-0238	BOLT	30
11	803821 01	TELE RAM GUARD	1	51	HSS-0241	BOLT	2
12	800994 01	SLIDE TUBE	1	52	WSH-0065	SPRING WASHER	32
13	801459 01	SLIDING BOSS	1	53			
14	803820 01	HOSE GUIDE	1	54			
15	804135 01	HOSE CLAMP	1	55			
16	804251 01	BULKHEAD	1	56			
				57	HFAW50005	BANJO BOLT& SEALS	2
				58	HMA-0052	ADAPTOR	2
19	803267 01	WEAR PLATE RETAINER	8	59	WSH-1005	DOWTY WASHER	2
20	803988 01	WEAR PAD	16	60	WSH-1010	DOWTY WASHER	2
21	801235 01	TELE RAM	1	61	HHS-05015	HOSE SLEEVING - BOOMS	1.8m
22	803623 01	HEAD ANGLE RAM	1	62	HHS-05010	HOSE SLEEVING - HEAD	1.1m
				63	HAGAA1313	BULKHEAD ADAPTOR	2
24				64	HAGAA0707	BULKHEAD ADAPTOR	1
				65	HHDI29705	HOSE 2019 & ON	2
26	800987 08	PIN	1	OR	HHDI30005	HOSE UPTO 2019	
27	800987 25	PIN	1	66	HHDF31005	HOSE	1
28	802839 08	PIN	3	67	HHDC31505	HOSE	2
29	802839 10	PIN	1	68	HBK-0010	BULKHEAD ADAPTOR	2
30	BSHO04056	BUSH	6	69	804136 01	COVER	1
31	BSHO07062	BUSH	2	70			
32	HCPD01400	HYDRAULIC PIPE CLAMP	1	71			
				72			
34	NIP-00600	GREASE NIPPLE	10	73			
35	NIP-00605	GREASE NIPPLE	2	74	HHKC13105	HOSE	2
36	HSS-0135	BOLT	8	75	HHBI09105	HOSE 2019 & ON	2
37	SCW-0136	CAP SCREW	1	OR	HHBI09405	HOSE UPTO 2019	
38	BLTA08410	BOLT	2	76	HHLC03905	HOSE	1
39	BLTA08440	BOLT	5	77	HHLC04305	HOSE	1
40	BLTA08530	BOLT	2	78			

Shelbourne Reynolds Engineering Limited

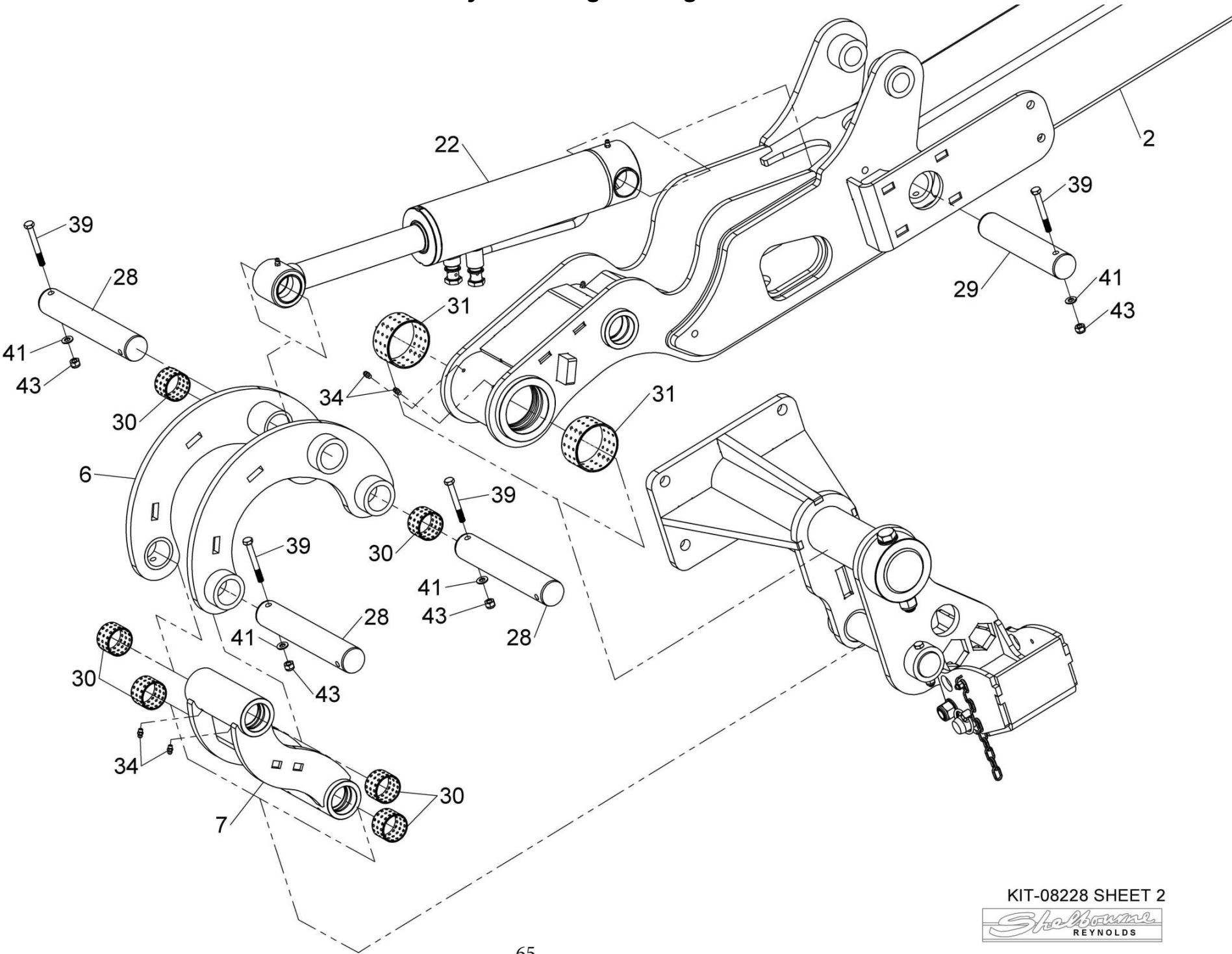
ASSY NUMBER: KIT-08228				ASSY DESCRIPTION HD860T TELESCOPIC OUTER BOOM KIT			
ITEM	PART NO	DESCRIPTION	QTY	ITEM	PART NO	DESCRIPTION	QTY
79	806113 01	SHIM (2mm)	8				
80	806113 02	SHIM (1.2mm)	4				
81	806113 03	SHIM (1.5mm)	4				
82	HHBH11105	HOSE	1				

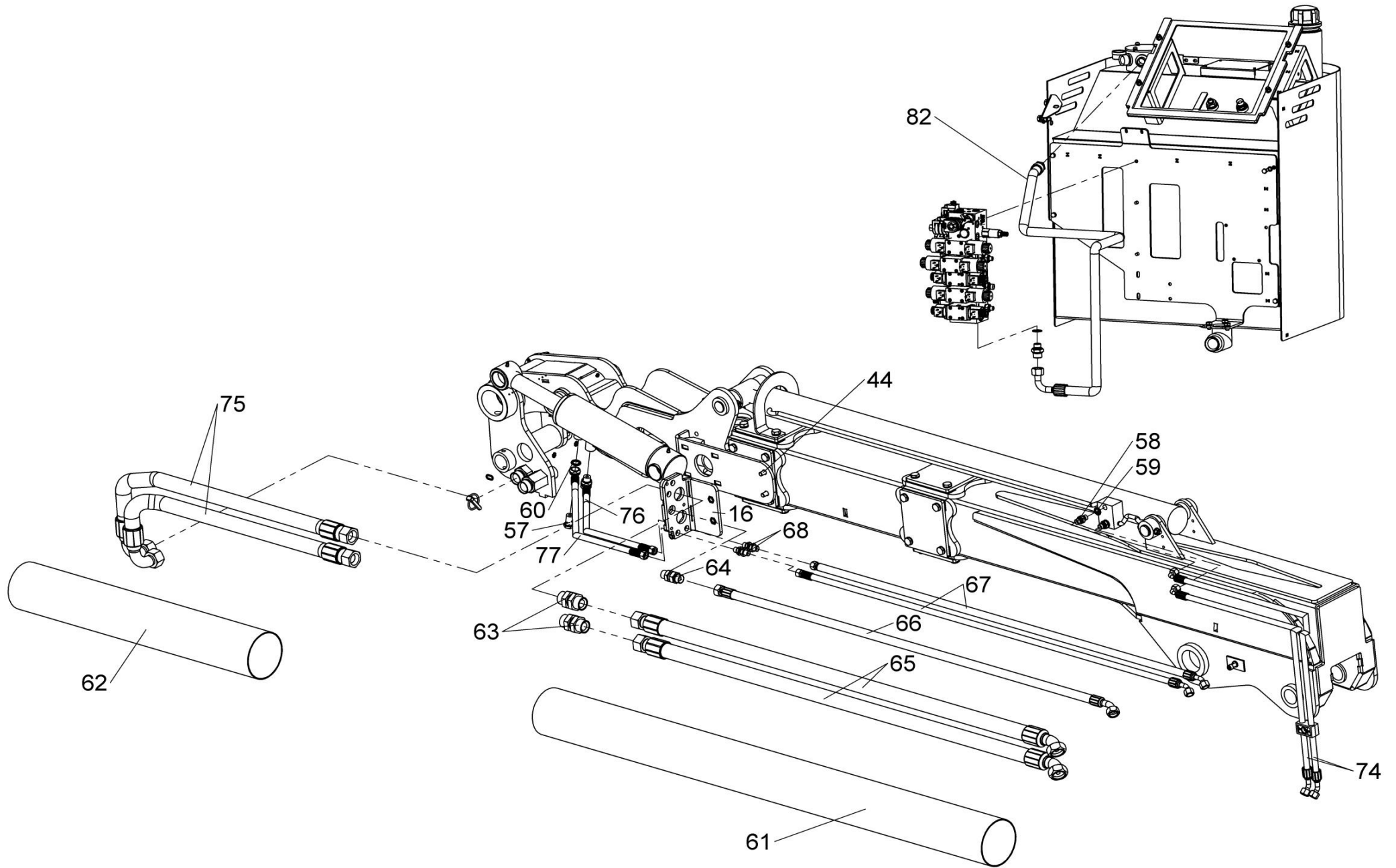
Shelbourne Reynolds Engineering Limited



KIT-08228 SHEET 1







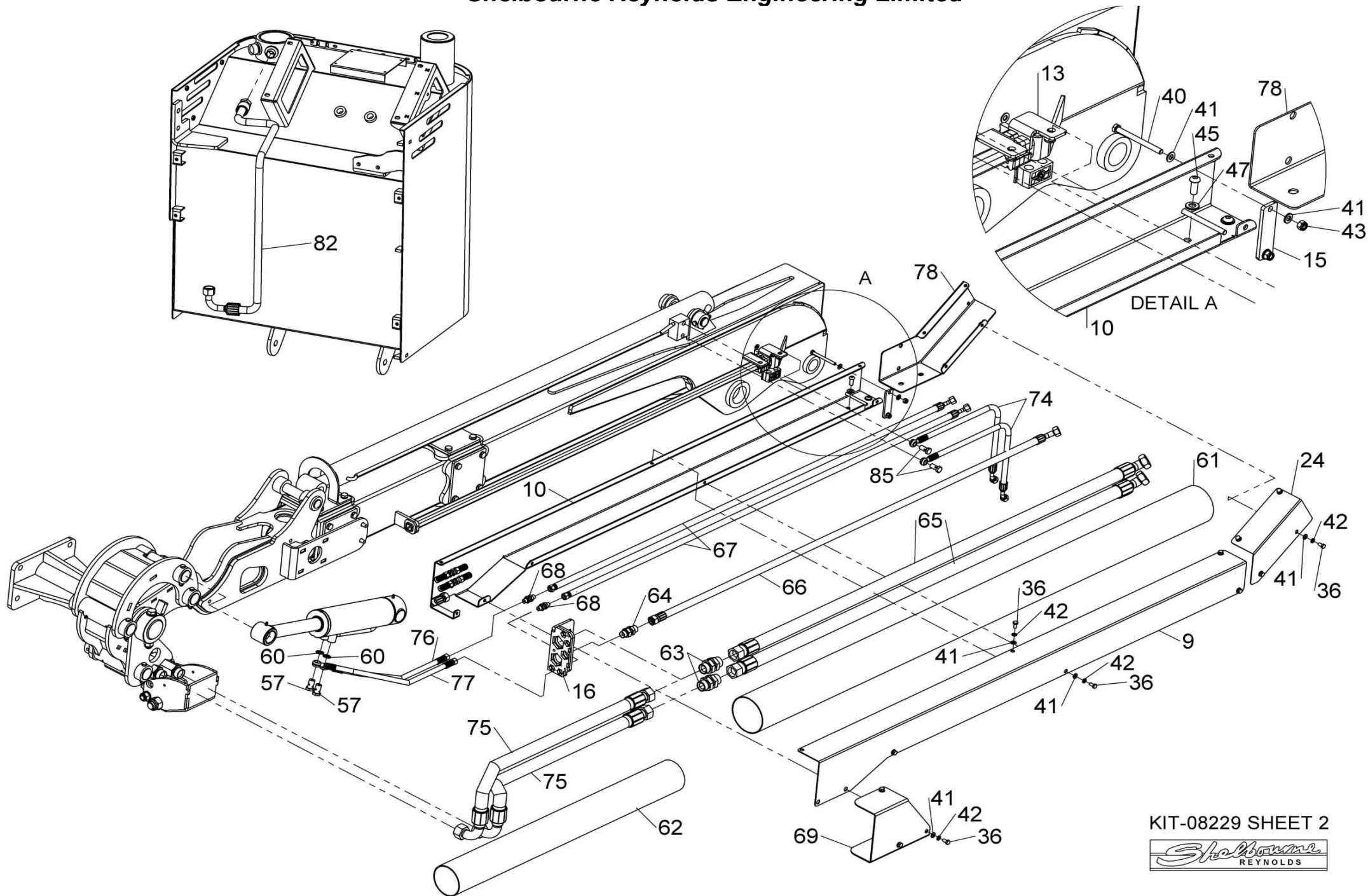
Shelbourne Reynolds Engineering Limited

ASSY NUMBER: KIT-08229				ASSY DESCRIPTION: HD870T TELESCOPIC OUTER BOOM KIT			
ITEM	PART NO	DESCRIPTION	QTY	ITEM	PART NO	DESCRIPTION	QTY
1	803785 02	7m TOP TELE BEAM	1	41	WSH-0012	WASHER	21
2	804480 02	7m INTERNAL TELE BEAM	1	42	WSH-0058	SPRING WASHER	8
3		NOW SEE PIVOT SHOE KIT		43	NUT-0263	NYLOC NUT	11
4		NOW SEE PIVOT SHOE KIT		44	HSS-0191	BOLT	2
5		NOW SEE PIVOT SHOE KIT		45	SCW-0516	BUTTON SCREW	2
6	803643 01	CURVE LINK	1	46	HSS-0194	BOLT	1
7	803645 01	2ND CURVE LINK	1	47	WSH-0015	WASHER	6
8		NOW SEE PIVOT SHOE KIT		48	WSH-0061	SPRING WASHER	1
9	803830 01	7m OUTER HOSE COVER	1	49	NUT-0265	NYLOC NUT	2
10	803824 01	7m INNER HOSE COVER	1	50	HSS-0238	BOLT	30
11	803821 01	TELE RAM GUARD	1	51	HSS-0241	BOLT	2
12	800994 02	SLIDE TUBE	1	52	WSH-0065	SPRING WASHER	32
13	801459 01	SLIDING BOSS	1	53			
14	803820 01	HOSE GUIDE	1	54			
15	804135 01	HOSE CLAMP	2	55			
16	804251 01	BULKHEAD	1	56			
				57	HFAW50005	BANJO BOLT & SEALS	2
				58			
19	803267 01	WEAR PLATE RETAINER	8	59			
20	803988 01	WEAR PAD	16	60	WSH-1010	DOWTY WASHER	2
21	801235 02	TELE RAM	1	61	HHS-05015	HOSE SLEEVING - BOOMS	2.1m
22	803623 01	HEAD ANGLE RAM	1	62	HHS-05010	HOSE SLEEVING - HEAD	1.1m
				63	HAGAA1313	BULKHEAD ADAPTOR	2
24	804671 01	COVER	1	64	HAGAA0707	BULKHEAD ADAPTOR	1
				65	HHDI36005	HOSE	2
26	800987 08	PIN	1	OR	HHDI36305	HOSE	
27	800987 25	PIN	1	66	HHDF37305	HOSE	1
28	802839 08	PIN	3	67	HHDC37805	HOSE	2
29	802839 10	PIN	1	68	HBK-0010	BULKHEAD ADAPTOR	2
30	BSHO04056	BUSH	6	69	804136 01	COVER	1
31	BSHO07062	BUSH	2				
32	HCPD01400	HYDRAULIC PIPE CLAMP	1				
34	NIP-00600	GREASE NIPPLE	10				
35	NIP-00605	GREASE NIPPLE	2	74	HHLC13105	HOSE	2
36	HSS-0135	BOLT	8	75	HHBI09105	HOSE	2
37	SCW-0136	CAP SCREW	1	OR	HHBI09405	HOSE	
38	BLTA08410	BOLT	2	76	HHLC03905	HOSE	1
39	BLTA08440	BOLT	5	77	HHLC04305	HOSE	1
40	BLTA08530	BOLT	4	78	805436 01	BACK PLATE FOR COVER	1

Shelbourne Reynolds Engineering Limited

ASSY NUMBER: KIT-08229				ASSY DESCRIPTION: HD870T TELESCOPIC OUTER BOOM KIT			
ITEM	PART NO	DESCRIPTION	QTY	ITEM	PART NO	DESCRIPTION	QTY
79	806113 01	SHIM	8				
80	806113 02	SHIM	4				
81	806113 03	SHIM	4				
82	HHBH11105	HOSE	1				
83							
84							
85	HFAW50003	BANJO BOLT & SEAL RINGS	2				

Shelbourne Reynolds Engineering Limited



KIT-08229 SHEET 2

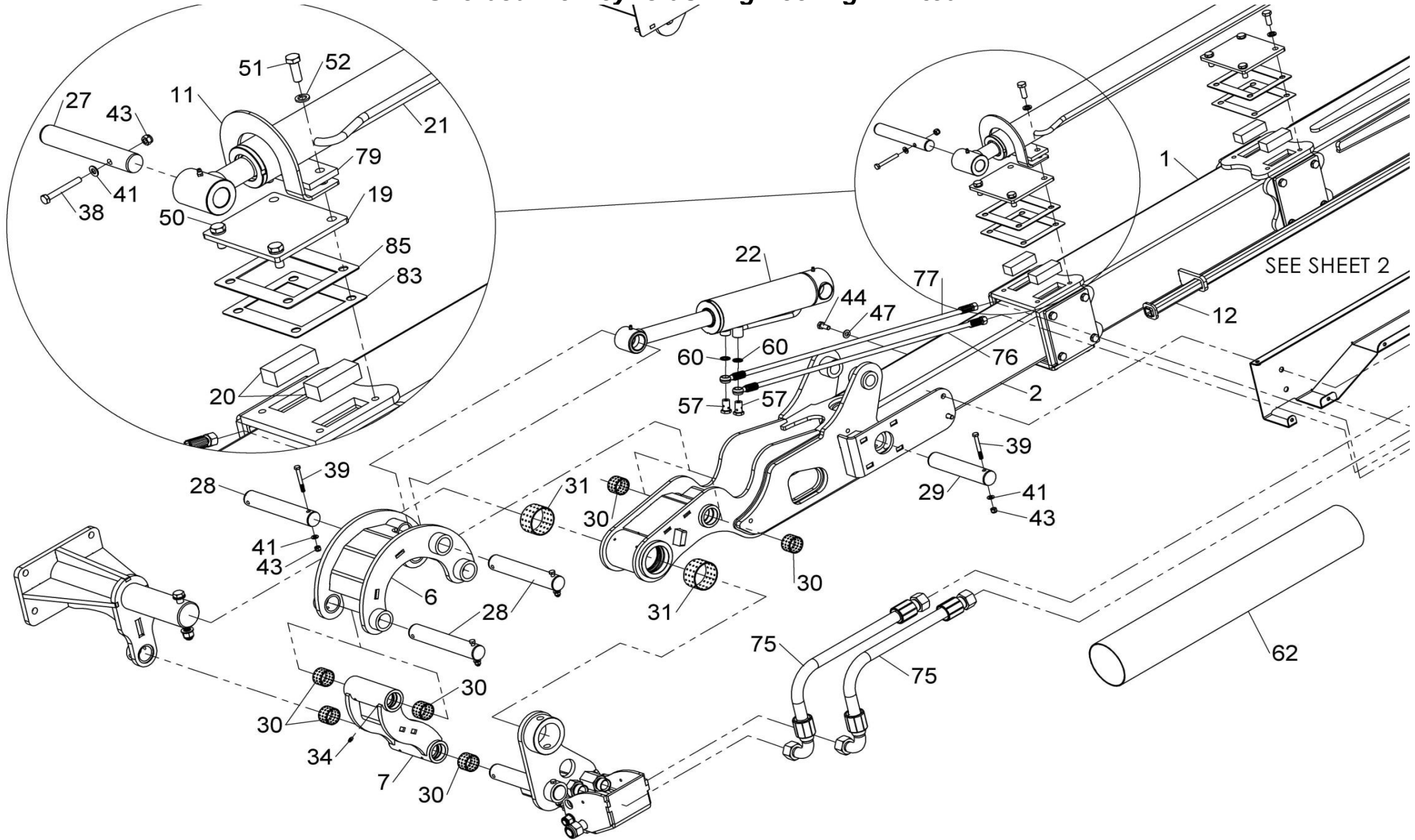


Shelbourne Reynolds Engineering Limited

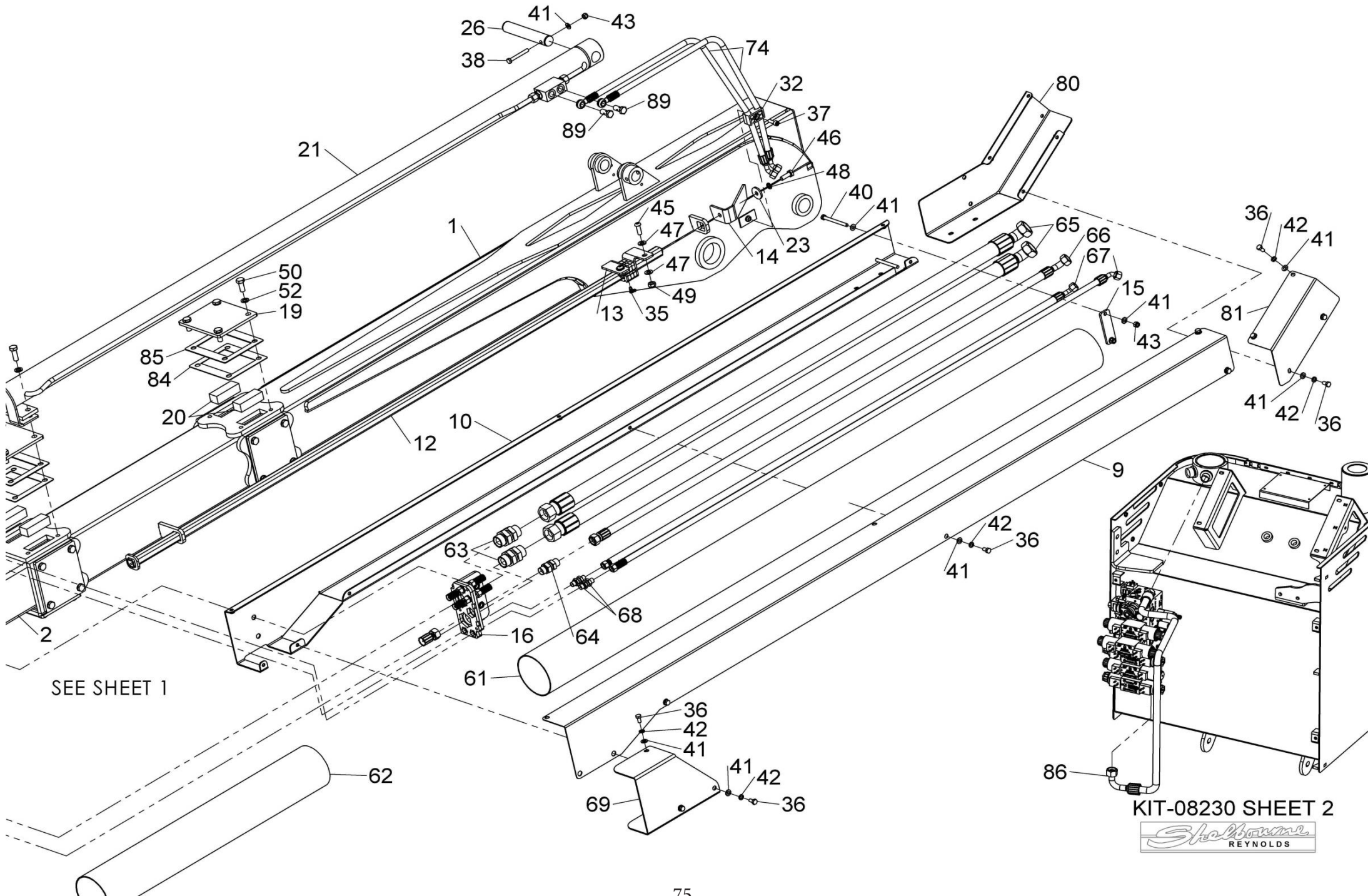
ASSY NUMBER: KIT-08230				ASSY DESCRIPTION: HD880T TELESCOPIC OUTER BOOM KIT			
ITEM	PART NO	DESCRIPTION	QTY	ITEM	PART NO	DESCRIPTION	QTY
1	803785 03	8m TOP TELE BEAM	1	41	WSH-0012	WASHER	29
2	804480 03	8m INTERNAL TELE BEAM	1	42	WSH-0058	SPRING WASHER	16
3		NOW SEE PIVOT SHOE KIT		43	NUT-0263	NYLOC NUT	11
4		NOW SEE PIVOT SHOE KIT		44	HSS-0191	BOLT	2
5		NOW SEE PIVOT SHOE KIT		45	SCW-0516	BUTTON SCREW	2
6	803643 01	CURVE LINK	1	46	HSS-0194	BOLT	1
7	803645 01	2ND CURVE LINK	1	47	WSH-0015	WASHER	6
8		NOW SEE PIVOT SHOE KIT		48	WSH-0061	SPRING WASHER	1
9	803832 01	8m OUTER HOSE COVER	1	49	NUT-0265	NYLOC NUT	2
10	803826 01	8m INNER HOSE COVER	1	50	HSS-0238	BOLT	28
11	803821 01	TELE RAM GUARD	1	51	HSS-0241	BOLT	2
12	800994 07	SLIDE TUBE	1	52	WSH-0065	SPRING WASHER	32
13	801459 01	SLIDING BOSS	1	53			
14	803820 01	HOSE GUIDE	1	54			
15	804135 01	HOSE CLAMP	2	55			
16	804251 01	BULKHEAD	1	56			
17				57	HFAW50005	BANJO BOLT	2
18				58			
19	803267 01	WEAR PLATE RETAINER	8	59			
20	803988 01	WEAR PAD	16	60	WSH-1010	DOWTY WASHER	2
21	802813 01	TELE RAM	1	61	HHS-05015	HOSE SLEEVING - BOOMS	2.6m
22	803623 01	HEAD ANGLE RAM	1	62	HHS-05010	HOSE SLEEVING - HEAD	1.1m
23			1	63	HAGAA1313	BULKHEAD ADAPTOR	2
24				64	HAGAA0707	BULKHEAD ADAPTOR	1
25				65	HHDI44605	HOSE 2019 & ON	2
26	800987 08	PIN	1	OR	HHDI44905	HOSE UPTO 2019	
27	800987 25	PIN	1	66	HHDF45905	HOSE	1
28	802839 08	PIN	3	67	HHDC46405	HOSE	2
29	802839 10	PIN	1	68	HBK-0010	BULKHEAD ADAPTOR	2
30	BSHO04056	BUSH	6	69	804136 01	COVER	1
31	BSHO07062	BUSH	2	70			
32	HCPD01400	HYDRAULIC PIPE CLAMP	1	71			
33				72			
34	NIP-00600	GREASE NIPPLE	10	73			
35	NIP-00605	GREASE NIPPLE	2	74	HHLC13105	HOSE	2
36	HSS-0135	BOLT	16	75	HHBI09105	HOSE 2019 & ON	2
37	SCW-0136	CAP SCREW	1	OR	HHBI09405	HOSE UPTO 2019	
38	BLTA08410	BOLT	2	76	HHLC03905	HOSE	1
39	BLTA08440	BOLT	7	77	HHLC04305	HOSE	1
40	BLTA08530	BOLT	4	78			

Shelbourne Reynolds Engineering Limited

ASSY NUMBER: KIT-08230				ASSY DESCRIPTION: HD880T TELESCOPIC OUTER BOOM KIT			
ITEM	PART NO	DESCRIPTION	QTY	ITEM	PART NO	DESCRIPTION	QTY
79	804669 01	GUIDE	2				
80	804672 01	EXTENSION GUIDE	1				
81	804671 01	EXTENSION COVER	1				
82	HSS-0260	BOLT	2				
83	806113 01	SHIM	8				
84	806113 02	SHIM	4				
85	806113 03	SHIM	4				
86	HHBH11105	HOSE	1				
87							
88							
89	HFAW50003	BANJO BOLT & SEAL RINGS	2				



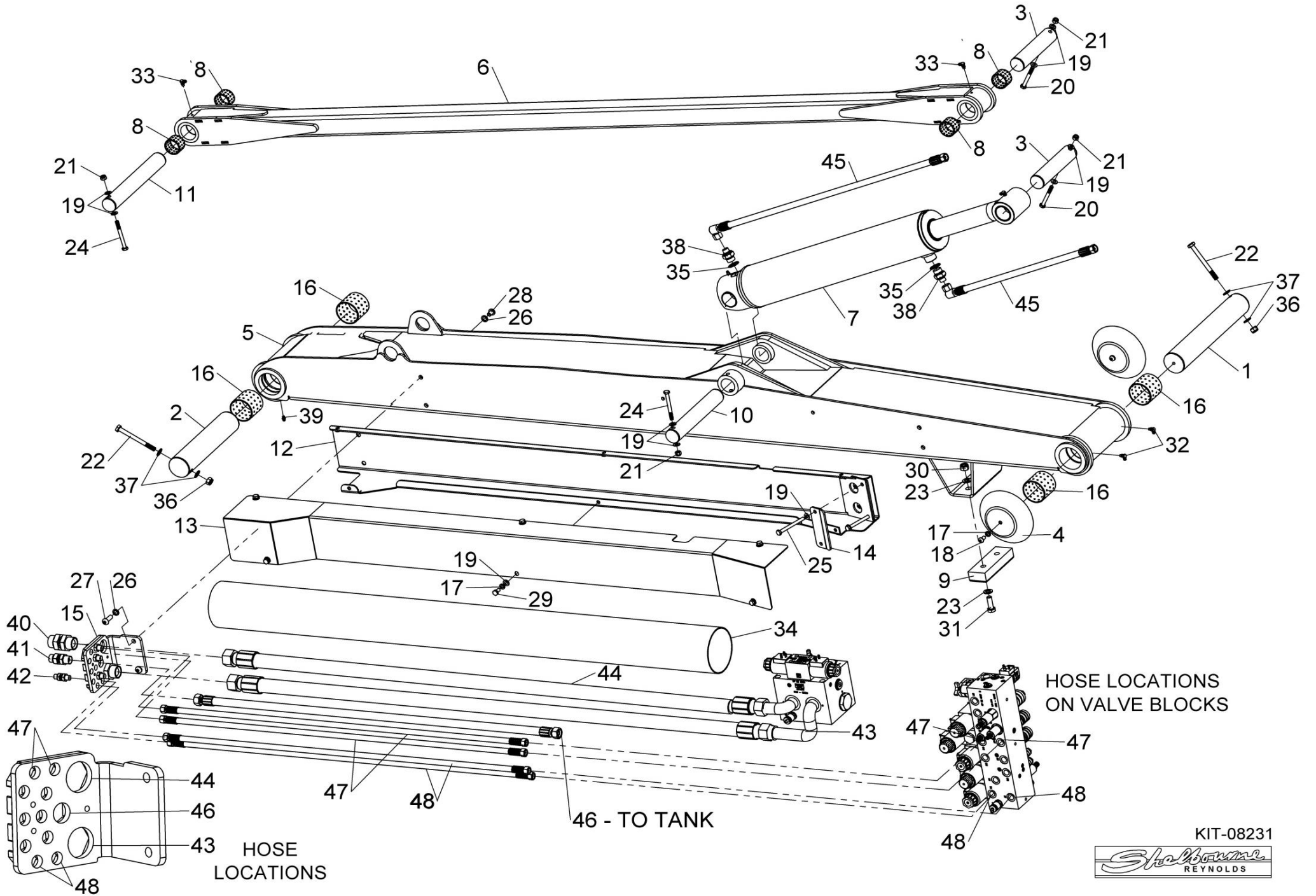
Shelbourne Reynolds Engineering Limited



Shelbourne Reynolds Engineering Limited

ASSY NUMBER: KIT-08231				ASSY DESCRIPTION: 8.0m INNER BOOM KIT			
ITEM	PART NO	DESCRIPTION	QTY	ITEM	PART NO	DESCRIPTION	QTY
1	803240 03	PIN	1	40	HAGAA1313	BULKHEAD	2
2	803240 01	PIN	1	41	HAGAA0707	BULKHEAD	1
3	802839 01	PIN	2	42	HBK-0010	BULKHEAD	4
4	800912 01	DISC	2	43	HHDI32705	HOSE (ROTOR) 2019 & ON	1
5	803839 01	INNER BOOM 8.0m W/A	1	OR	HHDI33005	HOSE (ROTOR) UPTO 2019	
6	802840 01	TIE ARM W/A	1	44	HHDI32205	HOSE (ROTOR) 2019 & ON	1
7	802812 01	CYLINDER REACH	1	OR	HHDI32505	HOSE (ROTOR) UPTO 2019	
8	BSHO04056	BUSH	4	45	HHCE26705	HOSE (REACH)	2
9	801367 01	BUFFER	1	46	HHAF37705	HOSE (ROTOR)	1
10	802839 06	PIN	1	47	HHAC34505	HOSE (H/A)	2
11	802839 03	PIN	1	48	HHAC35005	HOSE (TELE)	2
12	803841 01	HOSE GUARD (8.0m) W/A	1				
13	803843 01	HOSE GUARD (8.0m) W/A	1				
14	804149 01	HOSE GUIDE PLATE	1				
15	804122 01	BULKHEAD W/A	1				
16	BSHO06071	BUSH	4				
17	WSH-0058	SPRING WASHER	8				
18	SCBA08112	BUTTON HEAD SCREW	2				
19	WSH-0012	PLAIN WASHER	16				
20	BLTA08440	BOLT	2				
21	NUT-0263	NYLOC NUT	6				
22	BLTA10590	BOLT	2				
23	WSH-0018	PLAIN WASHER	4				
24	BLTA08470	BOLT	2				
25	BLTA08560	BOLT	2				
26	WSH-0061	SPRING WASHER	8				
27	SCW-0516	BUTTON HEAD SCREW	4				
28	SCBA10114	BUTTON HEAD SCREW	4				
29	HSS-0135	SETSCREW	6				
30	NUT-0269	NYLOC NUT	2				
31	HSS-0241	SETSCREW	2				
32	NIP-00605	GREASE NIPPLE	1				
33	NIP-00610	GREASE NIPPLE	2				
34	HHS-05015	HOSE SLEEVING	2.0m				
35	WSH-1015	DOWTY WASHER	2				
36	NUT-0265	NUT	2				
37	WSH-0015	WASHER	4				
38	HMA-0065	ADAPTOR M/M	2				
39	NIP-00600	GREASE NIPPLE	4				

Shelbourne Reynolds Engineering Limited

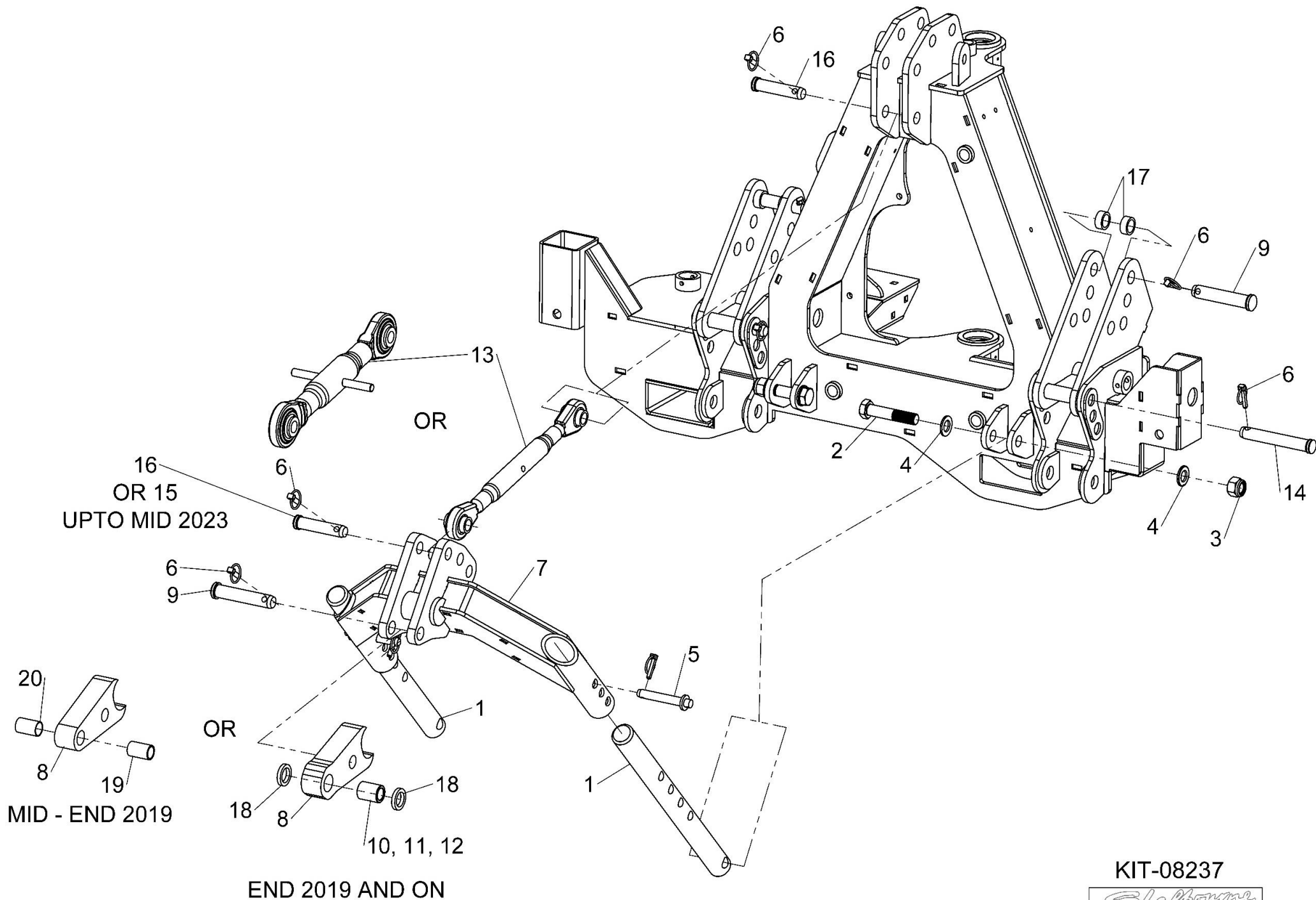


KIT-08231



Shelbourne Reynolds Engineering Limited

ASSY NUMBER:		KIT-08237					ASSY DESCRIPTION:		STABILISER KIT-3 POINT LINKAGE		
ITEM	PART NO	DESCRIPTION	QTY	ITEM	PART NO	DESCRIPTION					
1	800929 01	3-POINT SHAFT	2								
2	BLTA24624	BOLT MID2023 & ON	2								
OR	BLTA24620	BOLT UPTO MID2023	2								
3	NUT-0275	NYLOC NUT	2								
4	WSH-0036	PLAIN WASHER	4								
5	21728202	PIN	2							KIT SUPPLIED ON 600/700 MODELS	
6	PIN-01950	LYNCH PIN	7							PBXXX170661 & ON	
7	803942 01	3-POINT YOKE	1								
8	806069 01	NOSE PLATE 38mm	1								
OR	805965 01	ROCKER 32mm MID-END 2019	1							KIT-08237 - STABILISER KIT-3 POINT	
OR	806071 01	LONGER NOSE PLATE 38mm	-							LINKAGE (HD800 ONLY)	
		AVAILABLE FOR FENDT 5/700 & MF									
OR	807425 01	LONGER NOSE PLATE 40mm								KIT-08237A STABILISER KIT-3 POINT	
		AVAILABLE FOR FENDT 800/900								LINKAGE (600 AND HD700 ONLY)	
9	800199 01	PIN	3								
10	803949 01	SPACER 38OD 32ID	1								
11	803949 02	SPACER 38OD 28ID	1								
12	803949 03	SPACER 38OD 26ID	1								
13	ADL-11600	TOP LINK MID2023 & ON 8000 ONLY	1								
OR	ADL-11540	TOP LINK (600 & HD700)	1								
14	800198 03	PIN _{8000/HD800} ONLY	2								
15	-	- MID 2023 & ON	-								
OR	800198 02	PIN UPTO MID 2023	1								
16	800198 01	PIN	2								
17	800934 01	SPACER	4								
18	802609 01	SPACER	2								
19	800197 01	SPACER 32OD 26ID MID-END 2019	1								
20	800197 02	SPACER 32OD 29ID MID-END 2019	1								

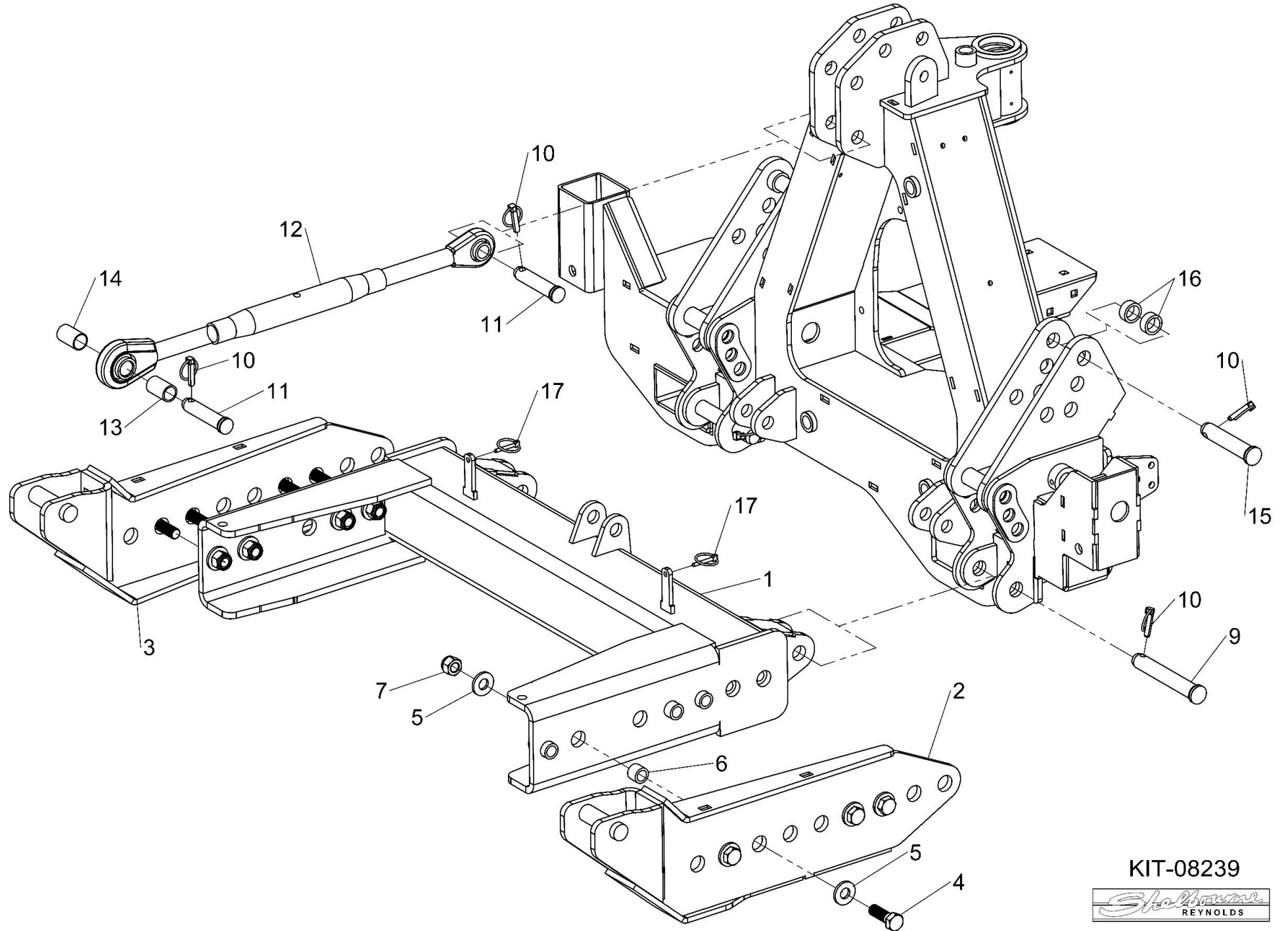


KIT-08237



Shelbourne Reynolds Engineering Limited

ASSY NUMBER:		KIT-08239		ASSY DESCRIPTION:		STABILISERS - AXLE MOUNTING	
ITEM	PART NO	DESCRIPTION	QTY	ITEM	PART NO	DESCRIPTION	QTY
1	803962 01	HITCH SUBFRAME	1				
2	804286 01	LH LIFT ARM	1				
3	804286 02	RH LIFT ARM	1				
4	BLT-2366	BOLT	8				
5	190119 47	WASHER	16				
6	800233 01	SPACER	8				
7	NUTA02200	NYLOC NUT	8				
8							
9	800199 06	PIN	2				
10	PIN-01950	LYNCH PIN	6				
11	800198 01	PIN	2				
12	ADL-13570	TOP LINK ASSY	1				
13	800197 01	SPACER	1				
14	800197 02	SPACER	1				
15	800199 01	LOWER PIN	2				
16	800934 01	SPACER	4				
17	PIN-01601	LYNCH PIN	2				



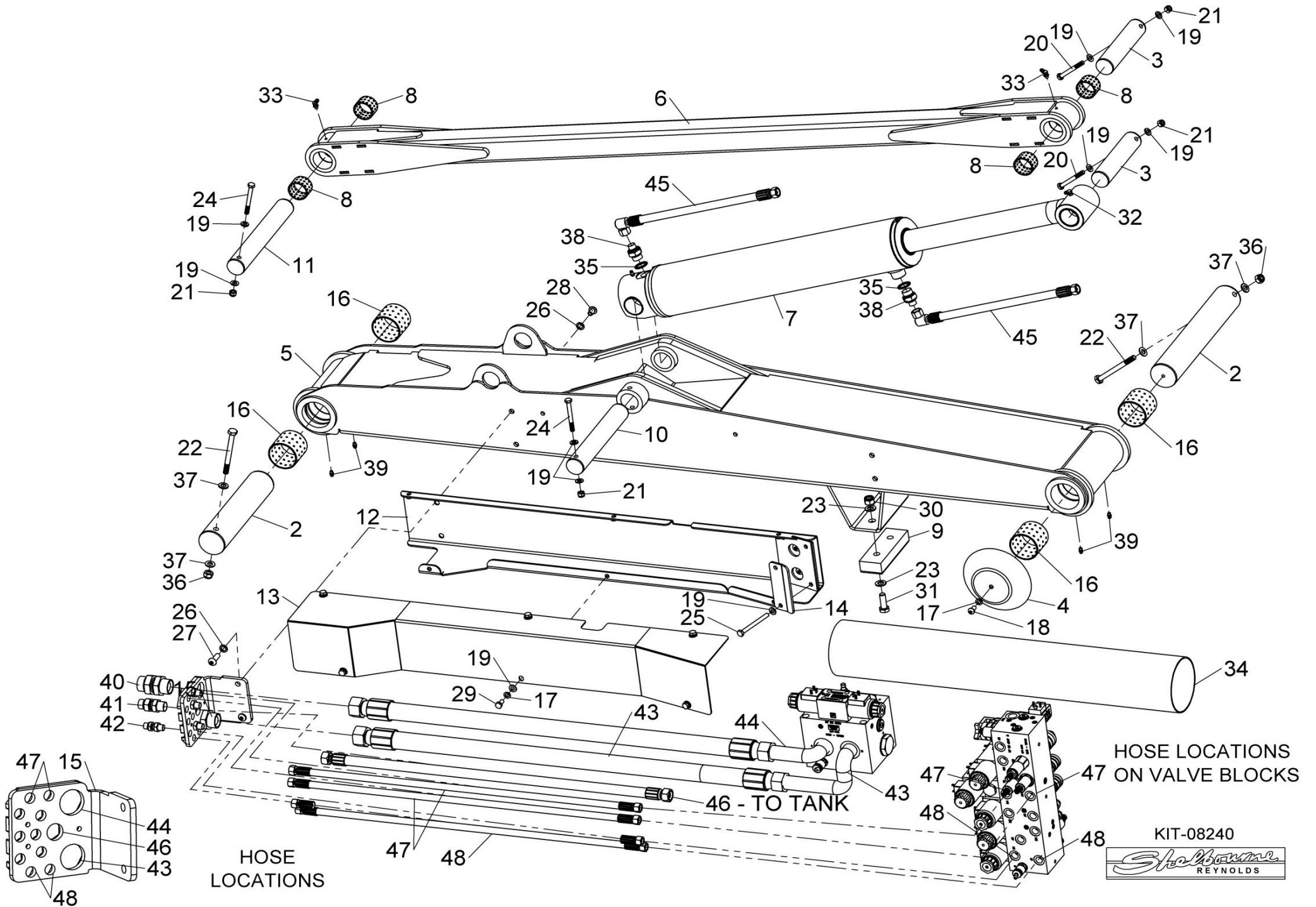
KIT-08239



Shelbourne Reynolds Engineering Limited

ASSY NUMBER: KIT-08240				ASSY DESCRIPTION: 6.0m INNER BOOM KIT			
ITEM	PART NO	DESCRIPTION	QTY	ITEM	PART NO	DESCRIPTION	QTY
1	803240 03	PIN	1	39	NIP-00600	GREASE NIPPLE	4
2	803240 01	PIN	1	40	HAGAA1313	BULKHEAD (1")	2
3	802839 01	PIN	2	41	HAGAA0707	BULKHEAD (1/2")	1
4	800912 01	DISC	2	42	HBK-0010	BULKHEAD (1/4")	4
5	803591 01	INNER BOOM 6.0m W/A	1	43	HHDI26005	HOSE 2019 & ON	1
6	803595 01	TIE ARM W/A	1	OR	HHDI26305	HOSE UPTO 2019	
7	802812 01	CYLINDER REACH	1	44	HHDI25605	HOSE 2019 & ON	1
8	BSHO04056	BUSH	4	OR	HHDI25905	HOSE UPTO 2019	
9	801367 01	BUFFER	1	45	HHCE26705	HOSE	2
10	802839 06	PIN	1	46	HHAF28505	HOSE	1
11	802839 03	PIN	1	47	HHAC27505	HOSE	2
12	803981 01	HOSE GUARD (6.0m) W/A	1	48	HHAC28705	HOSE "	2
13	803979 01	HOSE GUARD (6.0m) W/A	1				
14	804149 01	HOSE GUIDE PLATE	1				
15	804122 01	BULKHEAD W/A	1				
16	BSHO06071	BUSH	4				
17	WSH-0058	SPRING WASHER	8				
18	SCBA08112	BUTTON HEAD SCREW	2				
19	WSH-0012	PLAIN WASHER	22				
20	BLTA08440	BOLT	2				
21	NUT-0263	NYLOC NUT	6				
22	BLTA10590	BOLT	2				
23	WSH-0018	PLAIN WASHER	4				
24	BLTA08470	BOLT	2				
25	BLTA08560	BOLT	2				
26	WSH-0061	SPRING WASHER	8				
27	SCW-0516	BUTTON HEAD SCREW	4				
28	SCBA10114	BUTTON HEAD SCREW	4				
29	HSS-0135	SETSCREW	6				
30	NUT-0269	NYLOC NUT	2				
31	HSS-0241	SETSCREW	2				
32	NIP-00605	GREASE NIPPLE	1				
33	NIP-00610	GREASE NIPPLE	2				
34	HHS-05015	HOSE SLEEVING	2.0m				
35	WSH-1015	DOWTY WASHER	2				
36	NUT-0265	NUT	2				
37	WSH-0015	WASHER	4				
38	HMA-0065	ADAPTOR M/M	2				

Shelbourne Reynolds Engineering Limited



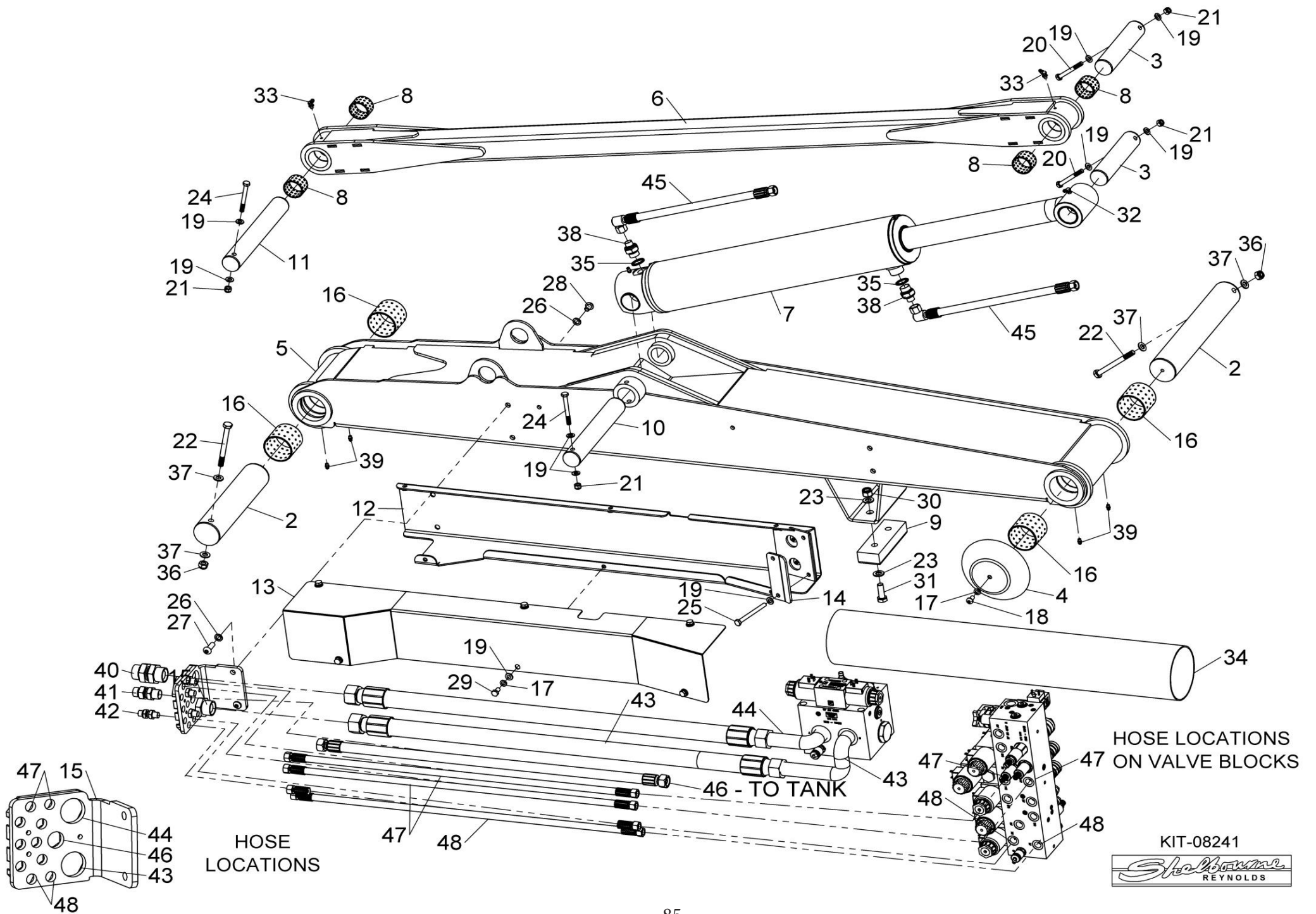
KIT-08240

 REYNOLDS

Shelbourne Reynolds Engineering Limited

ASSY NUMBER: KIT-08241				ASSY DESCRIPTION: 7.0m INNER BOOM KIT			
ITEM	PART NO	DESCRIPTION	QTY	ITEM	PART NO	DESCRIPTION	QTY
1	803240 03	PIN	1	39	NIP-00600	GREASE NIPPLE	4
2	803240 01	PIN	1	40	HAGAA1313	BULKHEAD	2
3	802839 01	PIN	2	41	HAGAA0707	BULKHEAD	1
4	800912 01	DISC	2	42	HBK-0010	BULKHEAD	4
5	803672 01	INNER BOOM 7.0m W/A	1	43	HHDI29705	HOSE	1
6	803325 01	TIE ARM 7.0m W/A	1	OR	HHDI30005	HOSE	
7	802812 01	CYLINDER REACH	1	44	HHDI29305	HOSE	1
8	BSHO04056	BUSH	4	OR	HHDI29605	HOSE	
9	801367 01	BUFFER	1	45	HHCE26705	HOSE	2
10	802839 06	PIN	1	46	HHAF32405	HOSE	1
11	802839 03	PIN	1	47	HHAC31505	HOSE	2
12	803984 01	HOSE GUARD (7.0m) W/A	1	48	HHAC32005	HOSE	2
13	803982 01	HOSE GUARD (7.0m) W/A	1				
14	804149 01	CLAMP PLATE	1				
15	804122 01	BULKHEAD W/A	1				
16	BSHO06071	BUSH	4				
17	WSH-0058	SPRING WASHER	8				
18	SCBA08112	BUTTON HEAD SCREW	2				
19	WSH-0012	PLAIN WASHER	16				
20	BLTA08440	BOLT	2				
21	NUT-0263	NYLOC NUT	6				
22	BLTA10590	BOLT	2				
23	WSH-0018	PLAIN WASHER	4				
24	BLTA08470	BOLT	2				
25	BLTA08560	BOLT	2				
26	WSH-0061	SPRING WASHER	8				
27	SCW-0516	BUTTON HEAD SCREW	4				
28	SCBA10114	BUTTON HEAD SCREW	4				
29	HSS-0135	SETSCREW	6				
30	NUT-0269	NYLOC NUT	2				
31	HSS-0241	SETSCREW	2				
32	NIP-00605	GREASE NIPPLE	1				
33	NIP-00610	GREASE NIPPLE	2				
34	HHS-05015	HOSE SLEEVING	2.0m				
35	WSH-1015	DOWTY WASHER	2				
36	NUT-0265	NUT	2				
37	WSH-0015	WASHER	4				
38	HMA-0065	ADAPTOR M/M	2				

Shelbourne Reynolds Engineering Limited



KIT-08241



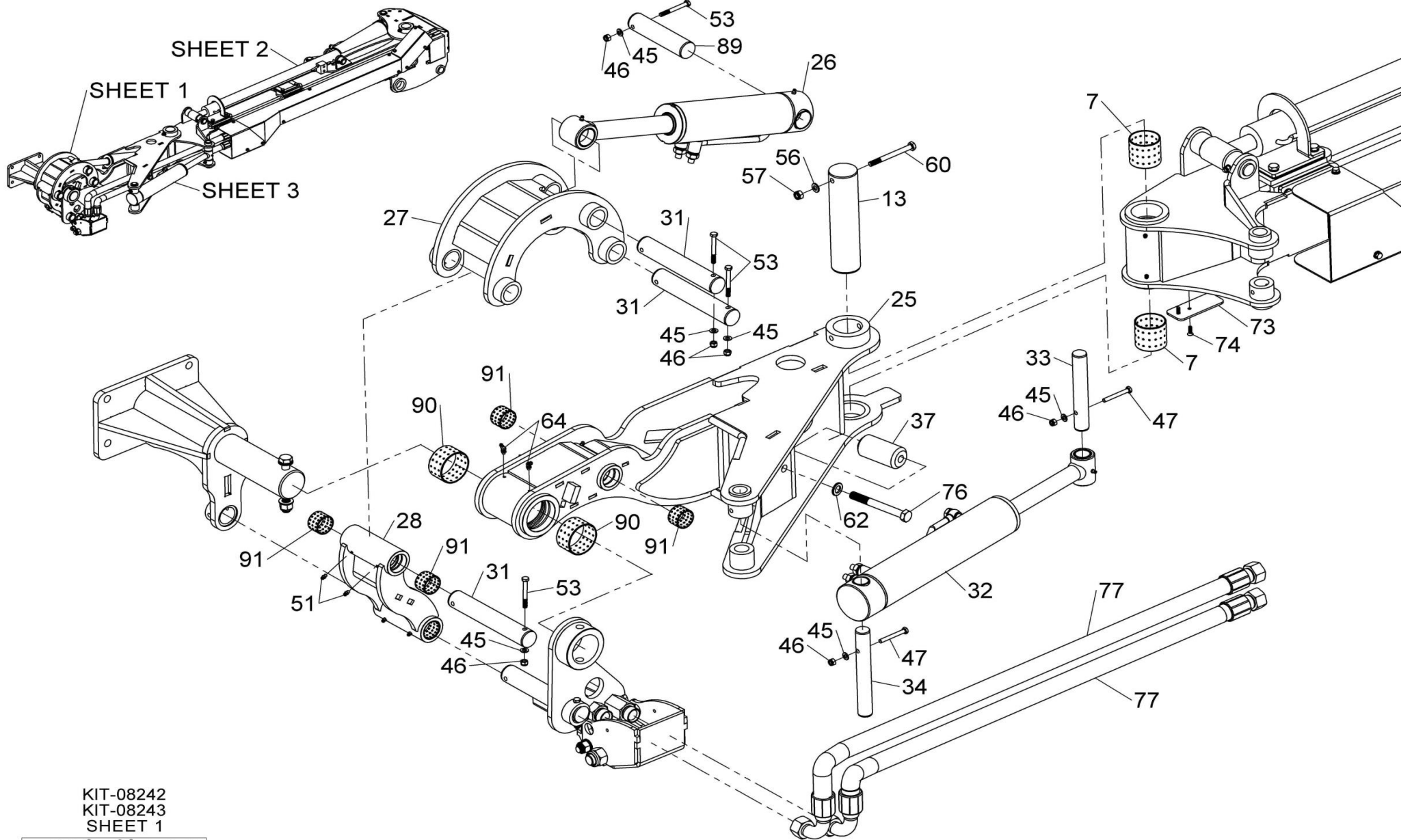
Shelbourne Reynolds Engineering Limited

ASSY NUMBER: KIT-08242				ASSY DESCRIPTION: HD865 VFRT OUTER BOOM KIT			
ITEM	PART NO	DESCRIPTION	QTY	ITEM	PART NO	DESCRIPTION	QTY
1	803609 01	SLIDE TUBE W/A	1	35		NOW SEE PIVOT SHOE KIT	
2	800987 08	PIN	1	36		NOW SEE PIVOT SHOE KIT	
3	800987 20	PIN	1	37	803621 01	HOSE ROLLER	1
4	800987 32	PIN	1	38	HSS-0140	BOLT	8
		SER No PB865201266 & ON		39	HSS-0188	SET SCREW	1
OR	800987 21	PIN	1	40	NIP-00605	GREASE NIPPLE	2
		UP TO & INC PB865201243		41	WSH-1015	DOWTY WASHER	4
5	800987 22	PIN	1	42	WSH-0058	SPRING WASHER	13
6	801235 04	TELE CYLINDER	1	43	WSH-0061	SPRING WASHER	1
7	BSHO06071	BUSH	4	44			
8	803220 01	TOP HEAD STOCK W/A	1	45	WSH-0012	PLAIN WASHER	22
9	804695 01	BACK COVER PLATE	1	46	NUT-0263	NYLOC NUT	12
10	803232 01	GUARD PLATE	1	47	BLTA08410	HEX.HEAD BOLT	5
11	806295 01	TOP TELE BEAM SECTION	1	48	WSH-0065	SPRING WASHER	36
		SER No PB865201266 & ON		49	HSS-0238	BOLT	30
OR	803993 01	TOP TELE BEAM SECTION	1	50	BLTA08380	HEX.HEAD BOLT	1
		UP TO & INC PB865201243		51	NIP-00600	GREASE NIPPLE	9
12	803240 01	PIN	1	52	HSS-0235	SET SCREW	2
13	803240 02	PIN	1	53	BLTA08440	HEX.HEAD BOLT	5
14	803254 01	HYDRAULIC RAM	1	54	BLTA08530	HEX.HEAD BOLT	2
15	803605 01	LOWER TELE BOOM	1	55	HSS-0135	SETSCREW	7
16	803988 01	WEAR PAD	16	56	WSH-0015	PLAIN WASHER	8
17				57	NUT-0265	NYLOC NUT	5
18				58	SCW-0516	BUTTON HD SCREW	2
19	803267 01	WEAR PLATE RETAINER	8	59	SCW-0136	HT CAP HEAD SCREW	2
20	804633 01	BULKHEAD W/A	1	60	BLTA10590	HEX.HEAD BOLT	2
21	803611 01	6.0m HOSE GUARD W/A	1	61			
22	803613 01	6.0m GUARD COVER W/A	1	62	WSH-0024	PLAIN WASHER	1
23	804135 01	HOSE GUIDE PLATE	1	63			
24	801459 01	SLIDING BOSS	1	64	NIP-00610	GREASE NIPPLE	2
25	803636 01	LOWER ARM W/A	1	65			
26	803623 01	HEAD ANGLE CYLINDER	1	66			
27	803643 01	CURVE LINK W/A	1	67			
28	803645 01	2 ND CURVE LINK W/A	1	68	HSS-0194	SETSCREW	1
29		NOW SEE PIVOT SHOE KIT		69	HCPD01400	HYDRAULIC PIPE CLAMP	2
30		NOW SEE PIVOT SHOE KIT		70	HHAC30105	HOSE	2
31	802839 08	PIN	3	71			
32	803624 01	HYDRAULIC CYLINDER	1	72	WSH-1010	DOWTY WASHER	8
33	800987 23	TELE BOOM PIN	1	73	803622 01	GUIDE PLATE	1
34	800101 27	PIN LIFT RAM	1	74	SCW-1580	CSK SOCKET HD SCW	2

Shelbourne Reynolds Engineering Limited

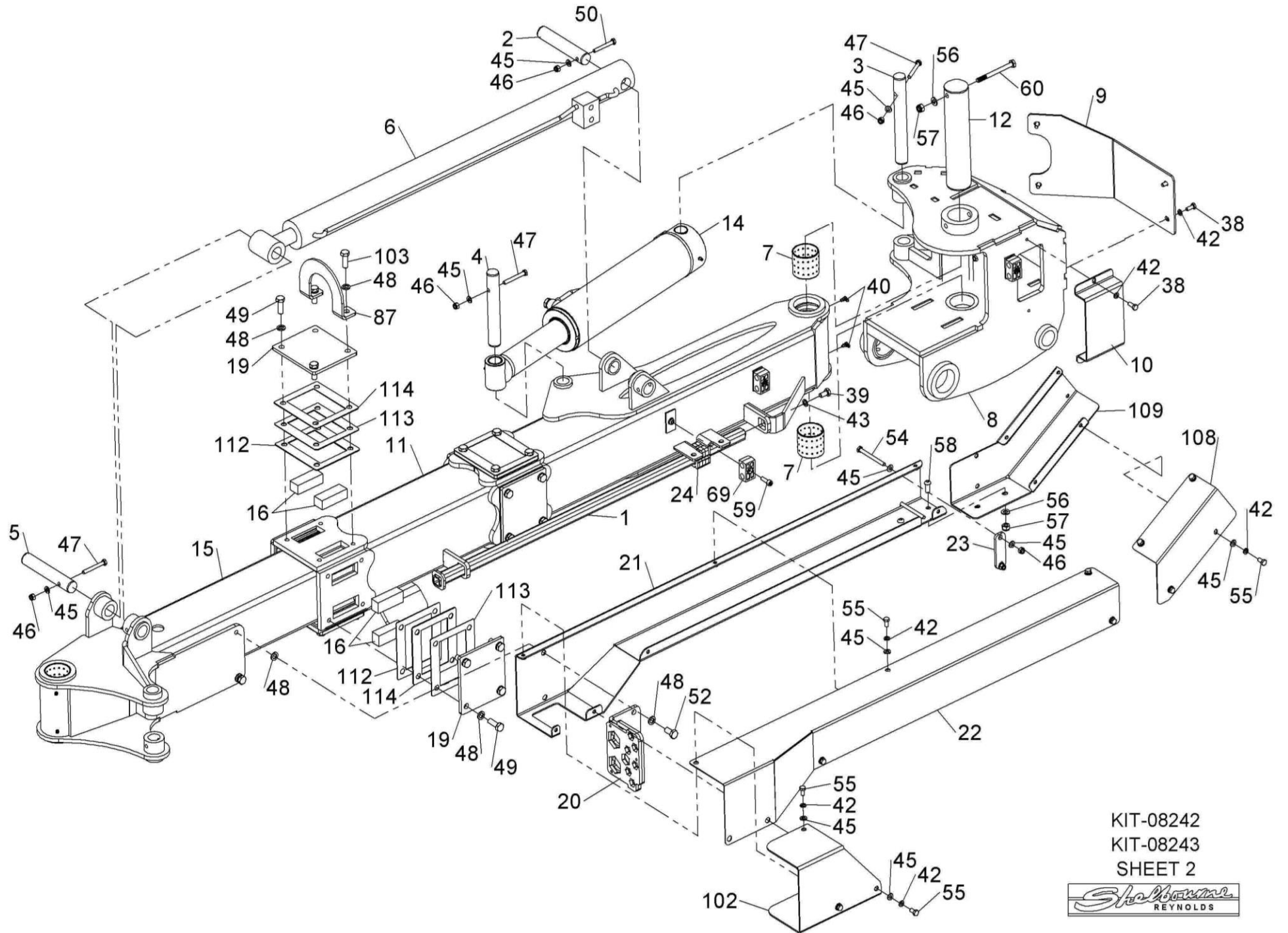
ASSY NUMBER: KIT-08242				ASSY DESCRIPTION: HD865 VFRT OUTER BOOM KIT			
ITEM	PART NO	DESCRIPTION	QTY	ITEM	PART NO	DESCRIPTION	QTY
75	FIT-0025	ADAPTOR	7	112	806113 01	SHIM (2mm)	8
76	BLTA16680	BOLT	1	113	806113 02	SHIM (1.2mm)	4
77	HHBI17205	HOSE 2019 & ON	2	114	806113 03	SHIM (1.5mm)	4
OR	HHBI17505	HOSE UPTO 2019		115	HHBH13005	HOSE	1
78	HHDI29705	HOSE 2019 & ON	2	116			
OR	HHDI30005	HOSE UPTO 2019		117			
79	HHS-05010	HOSE SLEEVING	2.0m	118	HFAW50003	BANJO BOLT & SEAL RINGS	2
80	HHS-05015	HOSE SLEEVING	2.4m				
81	HHDF30005	HOSE	1				
82	HHDC30505	HOSE	3				
83	HHS-05005	HOSE SLEEVING	1.3m				
84	HHLC19105	HOSE	1				
85	HHLC18705	HOSE	1				
86	HAGAA1313	BULHEAD	2				
87	803403 01	RETAINING RING	1				
88	HAGAA0707	BULHEAD	1				
89	802839 07	PIN	1				
90	BSH007062	BUSH	2				
91	BSH004056	BUSH	6				
92	190859 01	ADAPTOR	1				
93	HHCC12805	HOSE	1				
94	HHCC42805	HOSE	1				
95	HHCC10005	HOSE	2				
96	HHCC08905	HOSE	1				
97	HHCC09505	HOSE	1				
98	HVB-19155	VFRT VALVE ASSY PBxxx170667 & ON	1				
OR	HVB-19150	VFRT VALVE ASSY UPTO PBXXX170667	-				
99	HMA-0067	ADAPTOR	2				
100	HMA-0115	ADAPTOR	2				
101	HBK-0010	BULHEAD	8				
102	804376 01	COVER	1				
103	HSS-0241	BOLT	2				
104							
105							
106							
107							
108							
109							
110	HHS-05005	HOSE SLEEVING	1m				
111	HHS-05005	HOSE SLEEVING	1m				

Shelbourne Reynolds Engineering Limited



KIT-08242
KIT-08243
SHEET 1

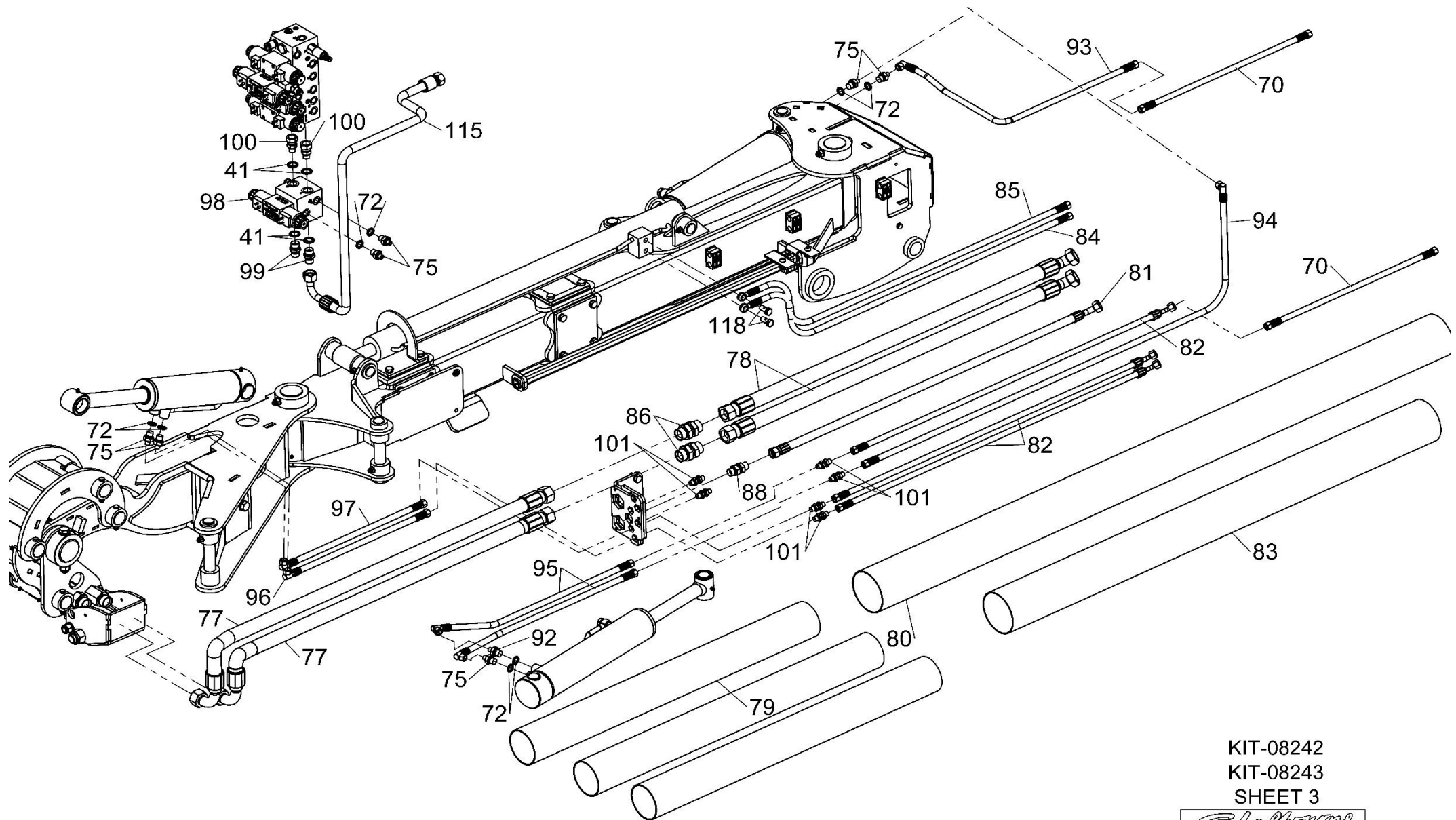




KIT-08242
KIT-08243
SHEET 2



Shelbourne Reynolds Engineering Limited



KIT-08242
KIT-08243
SHEET 3



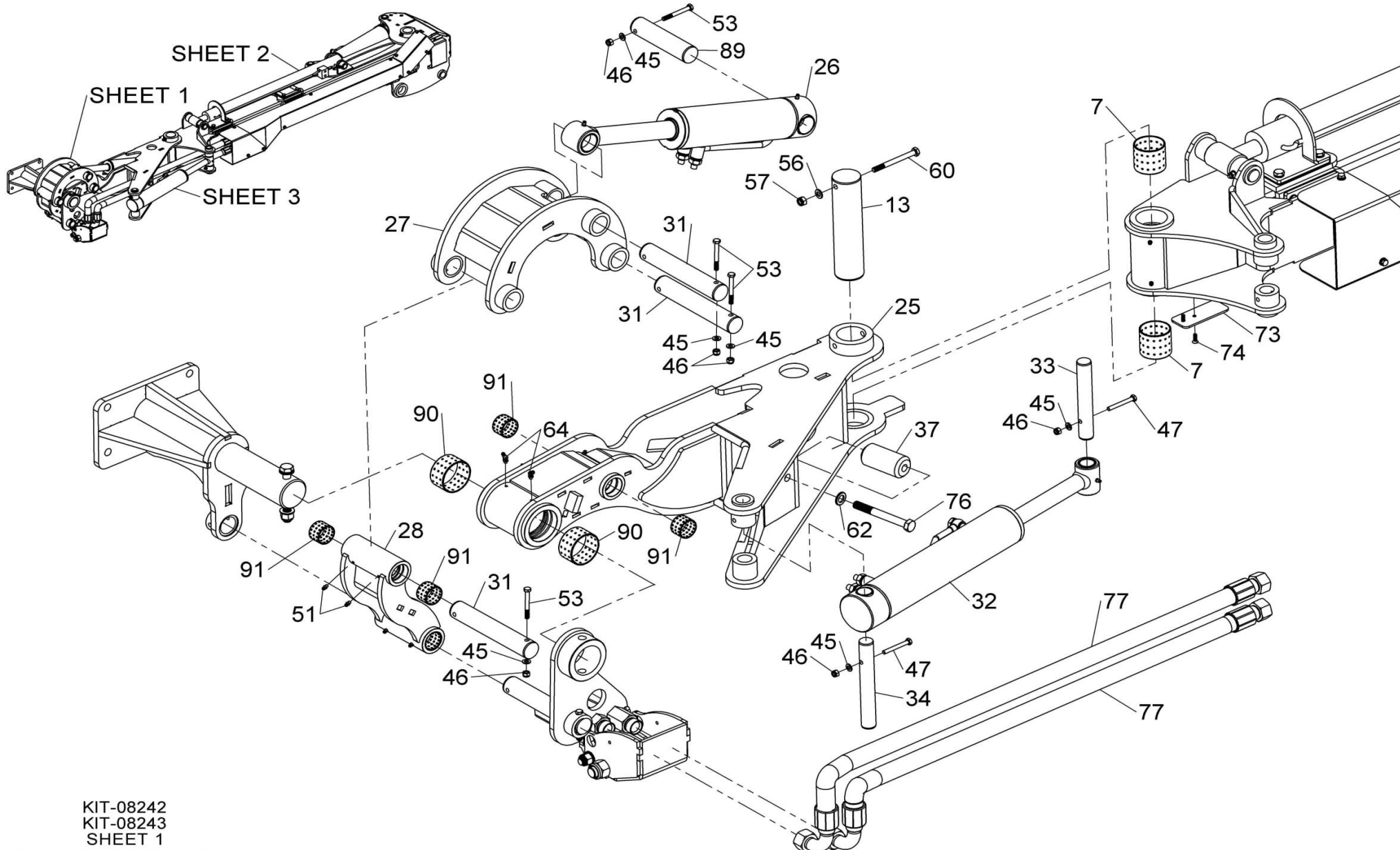
Shelbourne Reynolds Engineering Limited

ASSY NUMBER: KIT-08243				ASSY DESCRIPTION: HD875 VFRT OUTER BOOM KIT			
ITEM	PART NO	DESCRIPTION	QTY	ITEM	PART NO	DESCRIPTION	QTY
1	800994 01	SLIDE TUBE WA	1	35		NOW SEE PIVOT SHOE KIT	
2	800987 08	PIN	1	36		NOW SEE PIVOT SHOE KIT	
3	800987 20	PIN	1	37	803621 01	HOSE ROLLER	1
4	800987 32	PIN	1	38	HSS-0140	BOLT	8
		SER No PB875201290 & ON		39	HSS-0188	SET SCREW	1
OR	800987 21	PIN	1	40	NIP-00605	GREASE NIPPLE	2
		UP TO & INC PB875201226		41	WSH-1015	DOWTY WASHER	4
5	800987 22	PIN	1	42	WSH-0058	SPRING WASHER	11
6	801235 01	TELE CYLINDER	1	43	WSH-0061	SPRING WASHER	1
7	BSH006071	BUSH	4	44			
8	803220 01	TOP HEAD STOCK W/ASSY	1	45	WSH-0012	PLAIN WASHER	18
9	804695 01	BACK COVER PLATE	1	46	NUT-0263	NYLOC NUT	13
10	803232 01	GUARD PLATE	1	47	BLTA08410	HEX.HEAD BOLT	5
11	806292 01	TOP TELE BEAM SECTION	1	48	WSH-0065	SPRING WASHER	36
		SER No PB875201290 & ON		49	HSS-0238	BOLT	30
OR	803993 02	TOP TELE BEAM SECTION	1	50	BLTA08380	HEX.HEAD BOLT	1
		UP TO & INC PB875201226		51	NIP-00600	GREASE NIPPLE	9
12	803240 01	PIN	1	52	HSS-0235	SET SCREW	2
13	803240 02	PIN	1	53	BLTA08440	HEX.HEAD BOLT	5
14	803254 01	HYDRAULIC RAM	1	54	BLTA08530	HEX.HEAD BOLT	2
15	803667 01	LOWER TELE BOOM	1	55	HSS-0135	SETSCREW	4
16	803988 01	WEAR PAD	16	56	WSH-0015	PLAIN WASHER	6
17				57	NUT-0265	NYLOC NUT	4
18				58	SCW-0516	BUTTON HD SCREW	2
19	803267 01	WEAR PLATE RETAINER	8	59	SCW-0136	HT CAP HEAD SCREW	2
20	804633 01	BULKHEAD W/A	1	60	BLTA10590	HEX.HEAD BOLT	2
21	803665 01	7.0m HOSE GUARD W/A	1	61			
22	803670 01	7.0m GUARD COVER W/A	1	62	WSH-0024	PLAIN WASHER	1
23	804135 01	HOSE GUIDE PLATE	1	63			
24	801459 01	SLIDING BOSS	1	64	NIP-00610	GREASE NIPPLE	2
25	803636 01	LOWER ARM W/A	1	65			
26	803623 01	HEAD ANGLE CYLINDER	1	66			
27	803643 01	CURVE LINK W/A	1	67			
28	803645 01	2 ND CURVE LINK W/A	1	68	HSS-0194	SETSCREW	1
29		NOW SEE PIVOT SHOE KIT		69	HCPD01400	HYDRAULIC PIPE CLAMP	2
30		NOW SEE PIVOT SHOE KIT		70	HHAC33705	HOSE	2
31	802839 08	PIN	3	71			
32	803624 01	HYDRAULIC CYLINDER	1	72	WSH-1010	DOWTY WASHER	8
33	800987 23	TELE BOOM PIN	1	73	803622 01	GUIDE PLATE	1
34	800101 27	PIN LIFT RAM	1	74	SCW-1580	CSK SOCKET HD SCW	2

Shelbourne Reynolds Engineering Limited

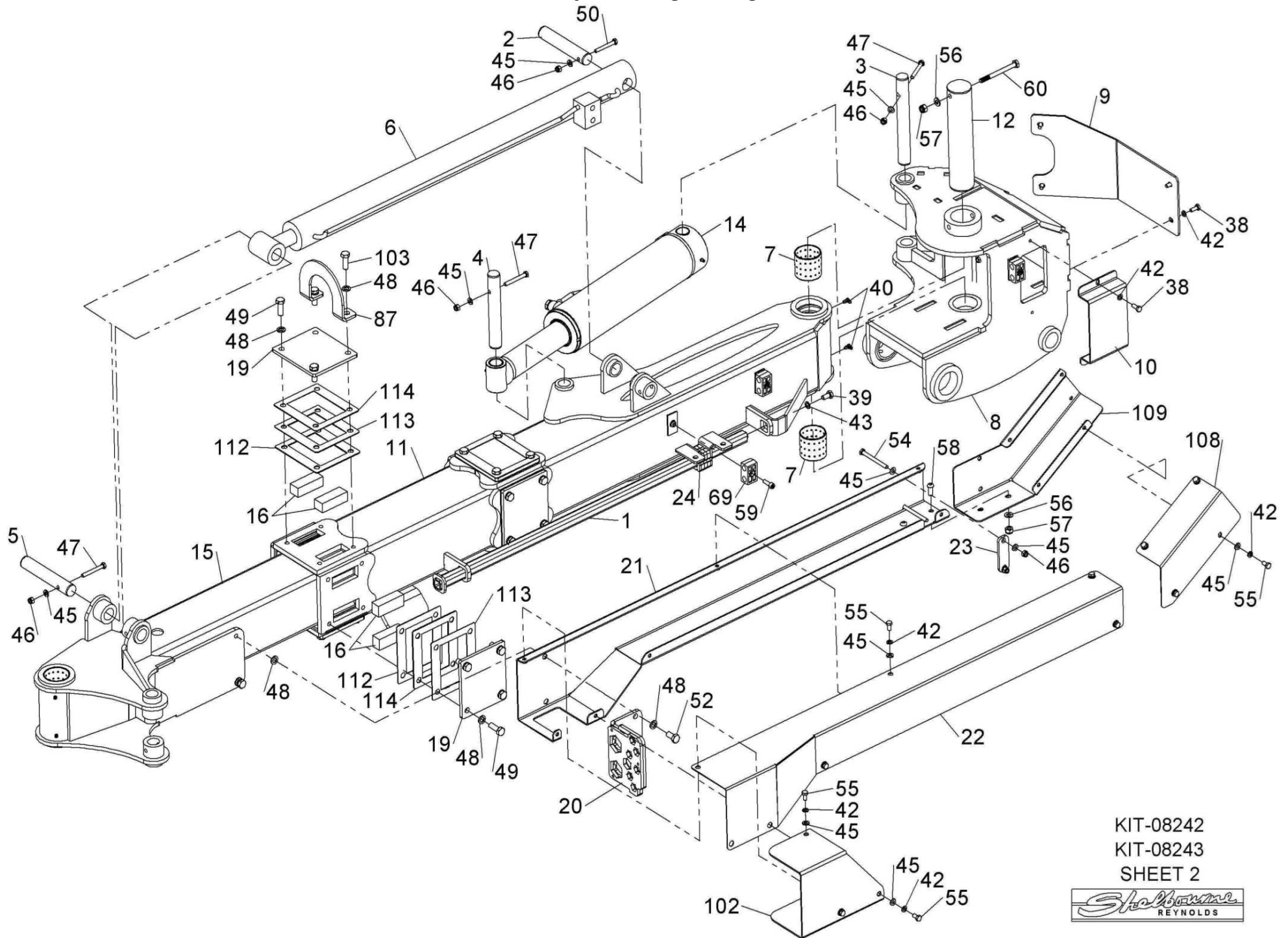
ASSY NUMBER: KIT-08243				ASSY DESCRIPTION: HD875 VFRT OUTER BOOM KIT			
ITEM	PART NO	DESCRIPTION	QTY	ITEM	PART NO	DESCRIPTION	QTY
75	FIT-0025	ADAPTOR	7	113	806113 02	SHIM (1.2mm)	4
76	BLTA16680	BOLT	1	114	806113 03	SHIM (1.5mm)	4
77	HHBI17205	HOSE 2019 & ON		115	HHBH13005	HOSE	1
OR	HHBI17505	HOSE UPTO 2019	2	116			
78	HHDI36005	HOSE 2019 & ON		117			
OR	HHDI36305	HOSE UPTO 2019	2	118	HHFAW50003	BANJO BOLT & SEAL RINGS	2
79	HHS-05010	HOSE SLEEVING	2.0m				
80	HHS-05015	HOSE SLEEVING	2.8m				
81	HHDF36305	HOSE	1				
82	HHDC36805	HOSE	3				
83	HHS-05005	HOSE SLEEVING	1.3m				
84	HHLC19105	HOSE	1				
85	HHLC18705	HOSE	1				
86	HAGAA1313	BULHEAD	2				
87	803403 01	RETAINING RING	1				
88	HAGAA0707	BULKHEAD	1				
89	802839 07	PIN	1				
90	BSHO07062	BUSH	2				
91	BSHO04056	BUSH	6				
92	190859 01	ADAPTOR	1				
93	HHCC12805	HOSE	1				
94	HHCC50505	HOSE	1				
95	HHCC10005	HOSE	2				
96	HHCC08905	HOSE	1				
97	HHCC09505	HOSE	1				
98	HVB-19155	VFRT VALVE ASSY PBxxx170667 & ON	1				
OR	HVB-19150	VFRT VALVE ASSY UPTO PBXXX170667	-				
99	HMA-0067	ADAPTOR	2				
100	HMA-0115	ADAPTOR	2				
101	HBK-0010	BULKHEAD	8				
102	804376 01	COVER	1				
103							
104							
105							
106							
107							
108	804671 01	COVER	1				
109	805436 01	COVER W/A BASE	1				
110	HSS-05005	HOSE SLEEVING	1m				
111	HSS-05005	HOSE SLEAVING	1m				
112	806113 01	SHIM (2mm)	8				

Shelbourne Reynolds Engineering Limited



KIT-08242
KIT-08243
SHEET 1





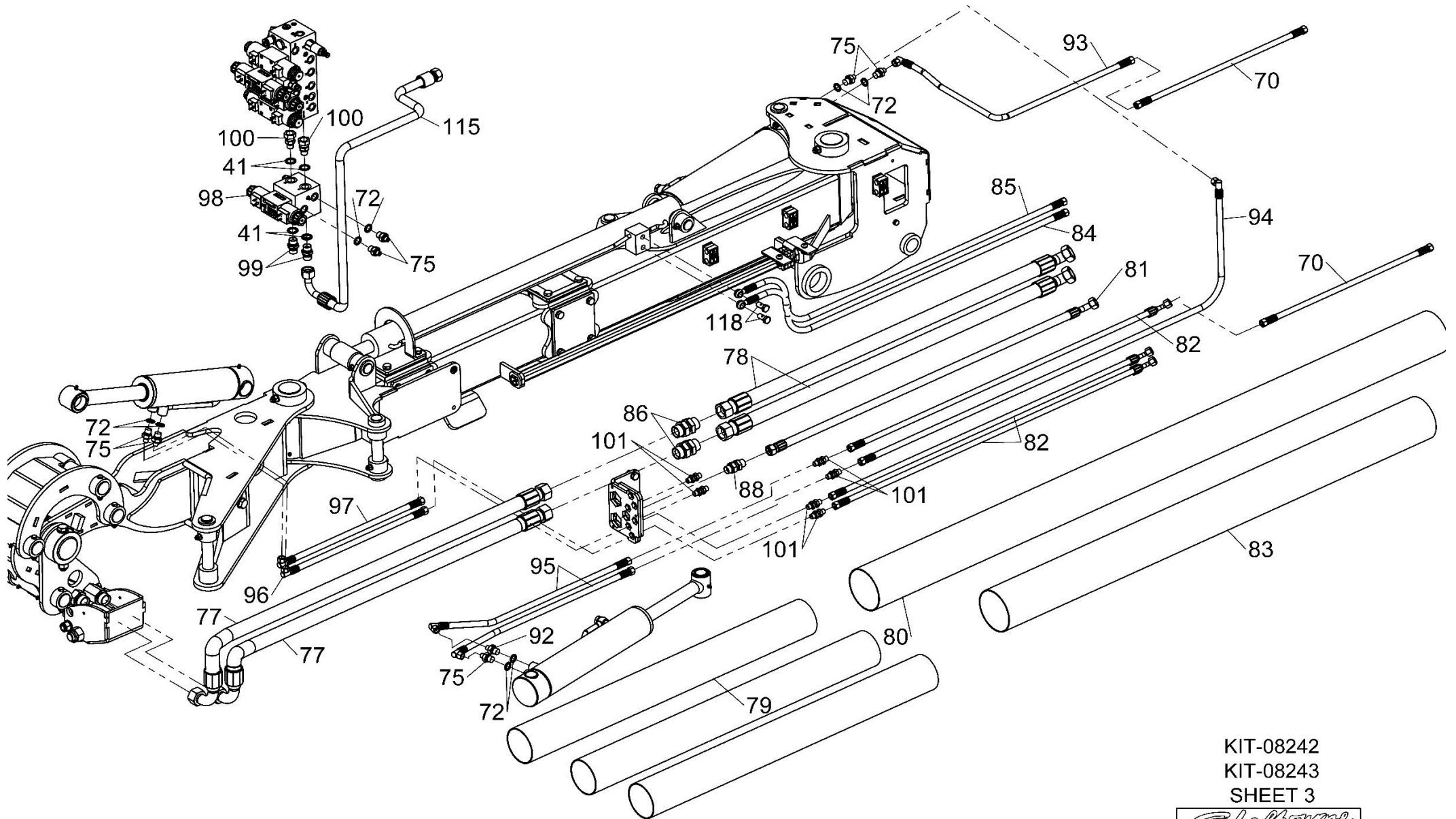
KIT-08242

KIT-08243

SHEET 2



Shelbourne Reynolds Engineering Limited



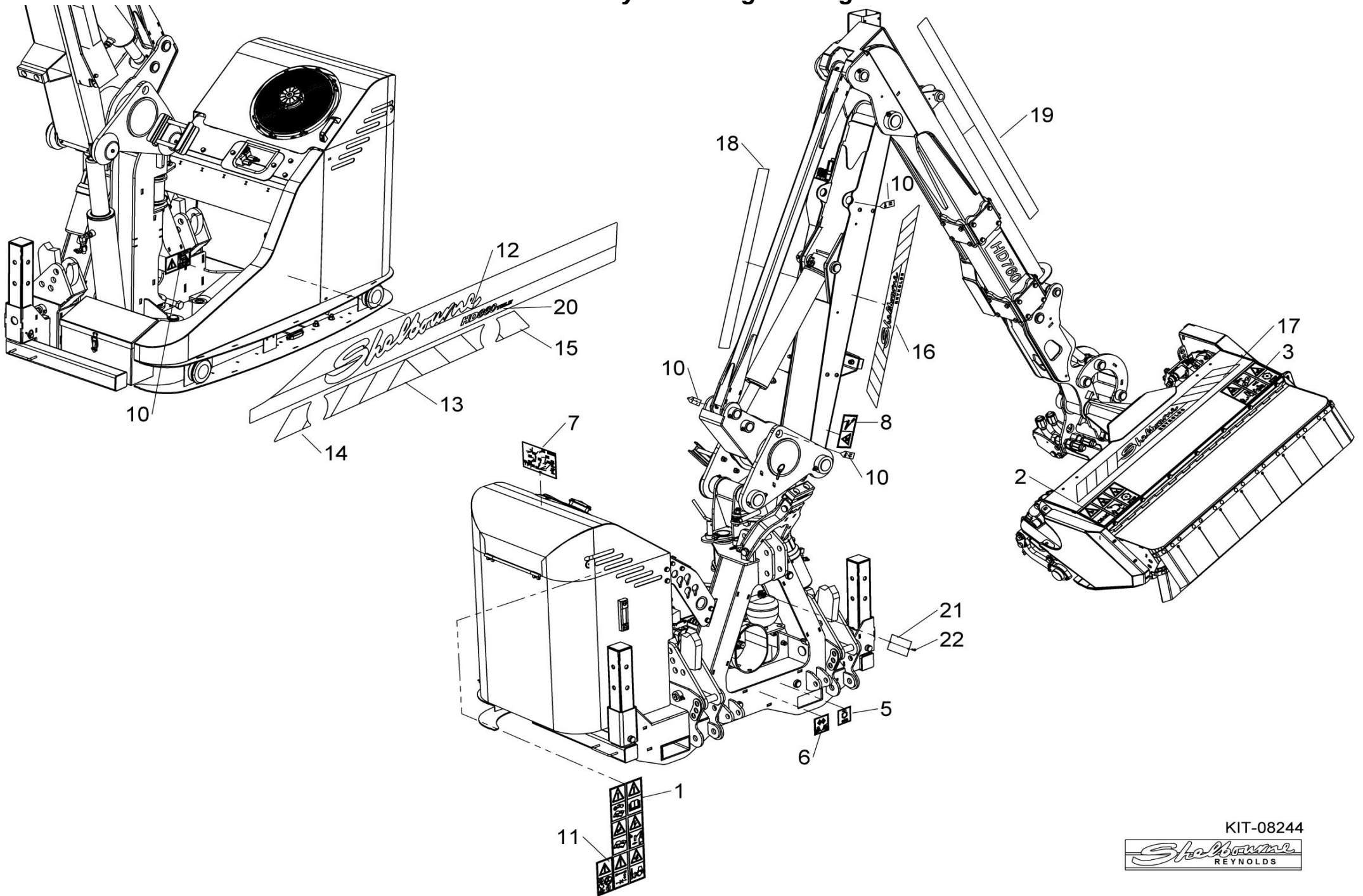
KIT-08242
KIT-08243
SHEET 3



Shelbourne Reynolds Engineering Limited

ASSY NUMBER: KIT-08244				ASSY DESCRIPTION: TRANSFER KIT 800 TRIMMER			
ITEM	PART NO	DESCRIPTION	QTY	ITEM	PART NO	DESCRIPTION	QTY
1	805599 01	MULTI-TRANSFER 2019 & ON	1	OR	804375 05	ID TRANSFER HD880TELE BOOM KIT	AR
OR	TNF-0011	TRANSFER BLOCK UPTO 2019	1	21	290526 01	SERIAL NO. PLATE	1
OR	800221 01	TRANSFER (MANUAL/OIL) UPTO 2019	1	22	POP-0006	POP RIVET (4.8x16)	2
OR	800220 01	TRANSFER (VOLT HZD) UPTO 2019	1				
OR	193391 01	TRANSFER (PTO GUARD) UPTO 2019	1				
OR	800219 01	TRANSFER (COUPLING) UPTO 2019	1				
2	805600 01	MULTI-TRANSFER 2019 & ON	1				
OR	800215 01	TRANSFER (CRUSH DANG) UPTO 2019	1				
OR	800217 01	TRANSFER (SAFE DIST) UPTO 2019	1				
OR	800222 01	TRANSFER (STOP) UPTO 2019	1				
3	805601 01	MULTI-TRANSFER 2019 & ON	1				
OR	800214 01	TRANSFER (FLY OBJ) UPTO 2019	1				
OR	800213 01	TRANSFER (BELT/BOLTS) UPTO 2019	1				
OR	800218 01	TRANSFER (STOP) UPTO 2019	1				
4	800211 01	TRANSFER (CHANGE FILTER)	1				
5	590475 01	TRANSFER (PTO 540RPM) DRIVE KIT	AR				
OR	590475 03	TRANSFER (PTO 800RPM) DRIVE KIT	AR				
6	800212 01	TRANSFER (CHECK CHAINS)	1				
7	804761 01	TRANSFER (LUBRICATION)	1				
8	210435 01	TRANSFER (LOCK CYLINDER)	1				
9	800878 01	TRANSFER (TRANSPORT MODE)	1				
10	190702 04	TRANSFER (SLING POINT)	4				
11	801422 01	TRANSFER (ACCUMULATOR)	1				
12	804368 01	SHELBOURNE TRANSFER 800	1				
13	804369 01	LIGHT BOARD TRANSFER	1				
14	804370 01	LH LIGHT BOARD TRANSFER	1				
15	804370 02	RH LIGHT BOARD TRANSFER	1				
16	804373 01	SHELBOURNE TRANSFER INNER	1				
17	804374 01	SHELBOURNE TRANSFER HEAD	1				
18	804371 01	INNER BOOM STRIPE 6.0 BOOM KIT	AR				
OR	804371 02	INNER BOOM STRIPE 7.0 BOOM KIT	AR				
OR	804371 03	INNER BOOM STRIPE 8.0 BOOM KIT	AR				
19	804372 01	OUTER BOOM STRIPE 865 BOOM KIT	AR				
OR	804372 02	OUTER BOOM STRIPE 860/75BOOMKIT	AR				
OR	804372 03	OUTER BOOM STRIPE 870 BOOM KIT	AR				
OR	804372 04	OUTER BOOM STRIPE 880 BOOM KIT	AR				
20	804375 01	ID TRANSFER HD860TELE BOOM KIT	AR				
OR	804375 02	ID TRANSFER HD870TELE BOOM KIT	AR				
OR	804375 03	ID TRANSFER HD880TELE BOOM KIT	AR				
OR	804375 04	ID TRANSFER HD 865VFRT BOOM KIT	AR				

Shelbourne Reynolds Engineering Limited



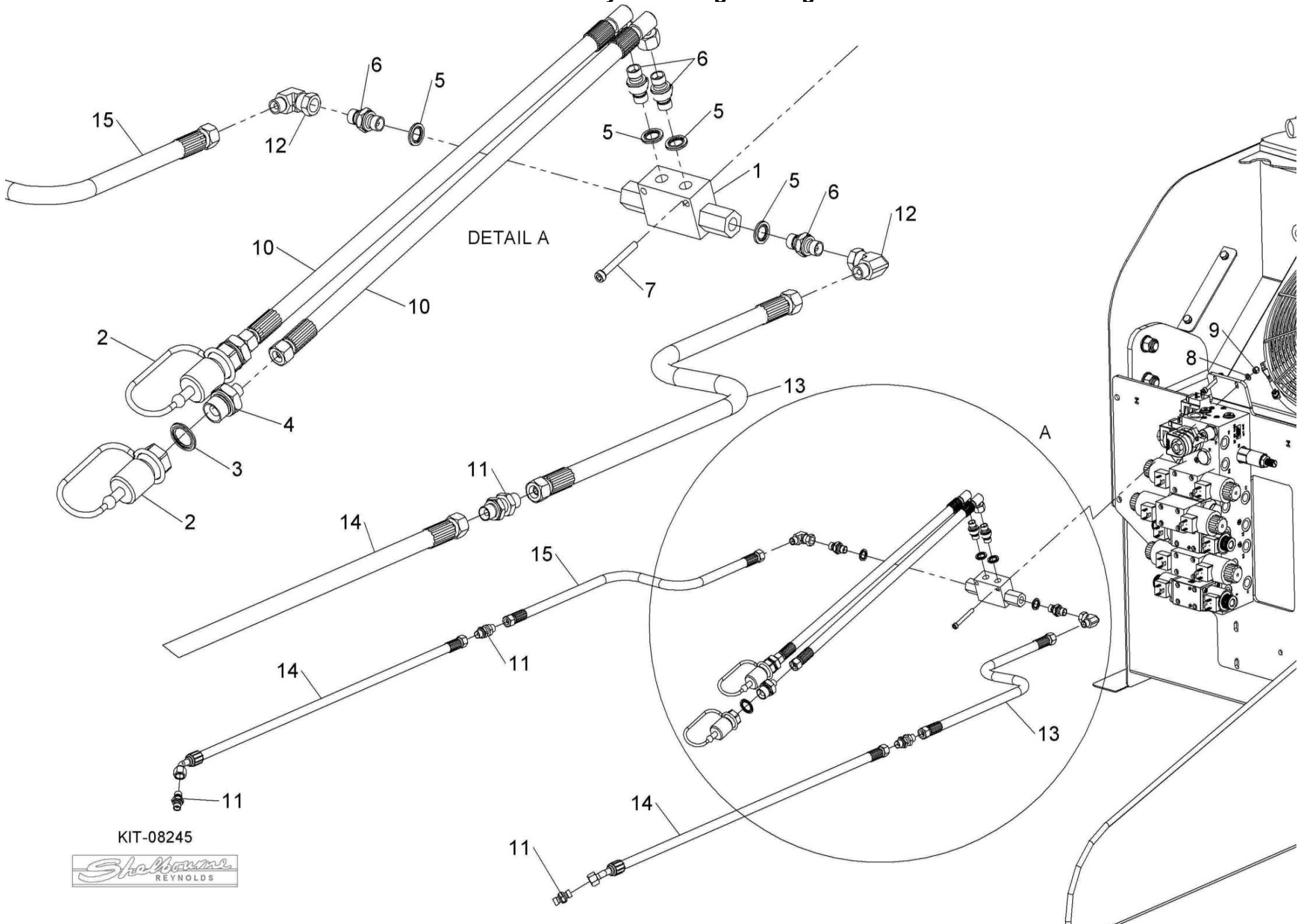
KIT-08244



Shelbourne Reynolds Engineering Limited

ASSY NUMBER: KIT-08245				ASSY DESCRIPTION: HYDRAULICS FOR ADJUSTABLE ROLLER KIT			
ITEM	PART NO	DESCRIPTION	QTY	ITEM	PART NO	DESCRIPTION	QTY
1	HVB-27000	VALVE BLOCK PO BLOCK	1				
2	COU-0162	QUICK REL COUP	2				
3	WSH-1015	BONDED SEAL	2				
4	HMA-0055	ADAPTOR	2				
5	WSH-1005	DOWTY WASHER	4				
6	HMA-0052	ADAPTOR	4				
7	SCW-0098	SETSCREW	2				
8	WSH-0009	WASHER	4				
9	NUT-0260	NYLOC NUT	2				
10	HHCC15005	HOSE	2				
11	HBK-0010	BULKHEAD	4				
12							
13	HHAC27505	HOSE 6.0Mt	1				
OR	HHAC31505	HOSE 7.0Mt	1				
OR	HHAC34505	HOSE 8.0Mt	1				
14	HHDC31505	HOSE 6.0Mt	2		KIT-08245A	6.0Mt ADJUSTABLE ROLLER KIT	
OR	HHDC37805	HOSE 7.0Mt	2		KIT-08245B	7.0Mt ADJUSTABLE ROLLER KIT	
OR	HHDC46405	HOSE 8.0Mt	2		KIT-08245C	8.0Mt ADJUSTABLE ROLLER KIT	
15	HHCC31005	HOSE 6.0Mt	1				
OR	HHCC35005	HOSE 7.0Mt	1				
OR	HHCC37505	HOSE 8.0Mt	1				

Shelbourne Reynolds Engineering Limited



KIT-08245

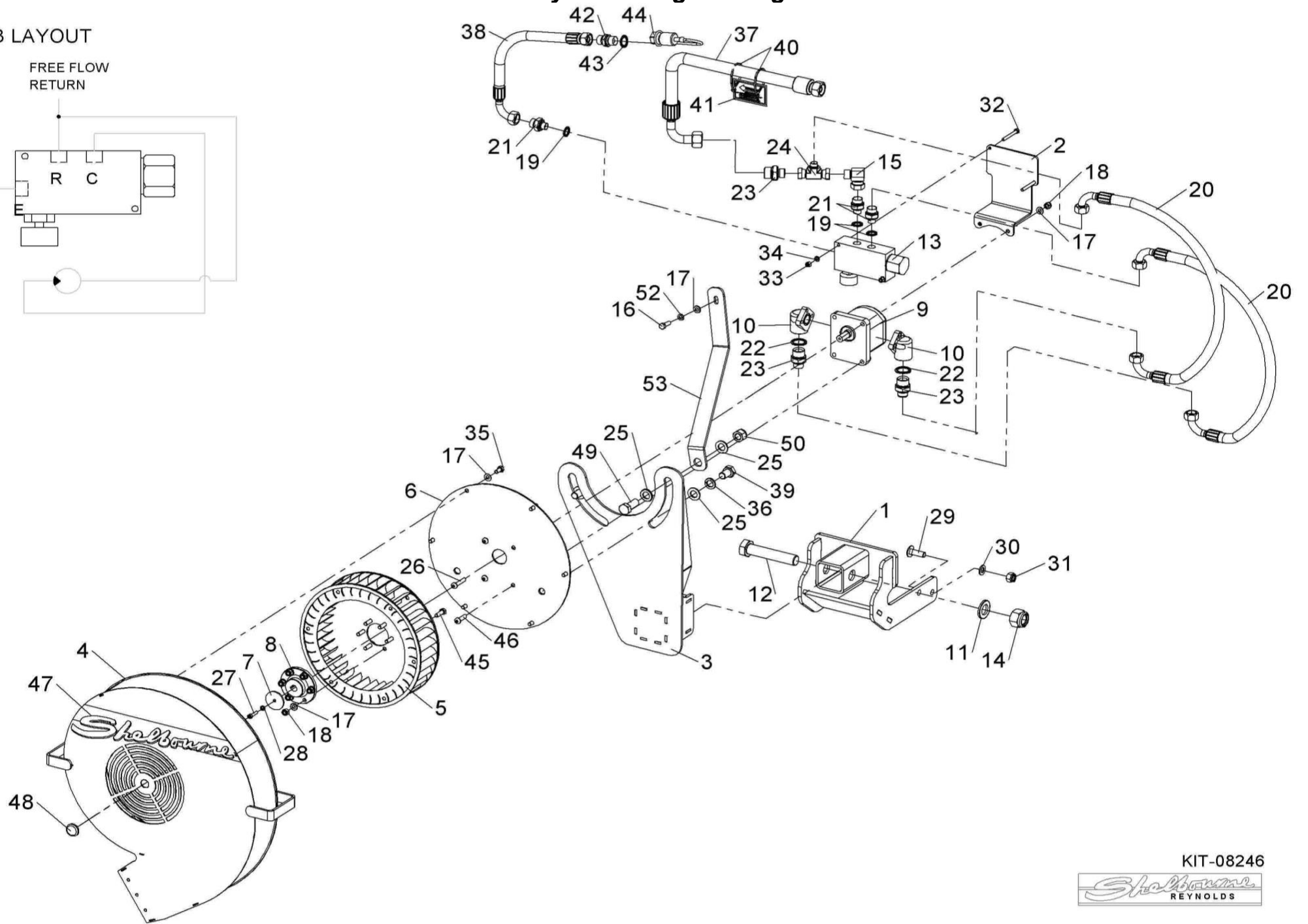
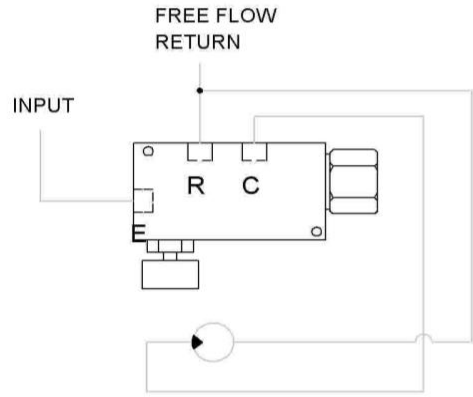


Shelbourne Reynolds Engineering Limited

ASSY NUMBER: KIT-08246				ASSY DESCRIPTION: 800 TRIMMER BLOWER KIT			
ITEM	PART NO	DESCRIPTION	QTY	ITEM	PART NO	DESCRIPTION	QTY
1	804563 01	DEBRIS BLOWER BRACKET W/A	1	41	612230 01	HYD RETURN LABEL	1
2	802755 01	FAN HYD VALVE MT	1	42	HMA-0067	M/M ADAPTER	1
3	802758 01	DEBRIS BLOWER PIVOTING MT W/A	1	43	WSH-1015	WASHER	1
4	802607 01	FAN HOUSING W/A	1	44	COU-0162	QUICK RELEASE COUPLING	1
5	802778 01	IMPELLER W/A	1	45	SCBA08172	BUTT SCREW	6
6	803109 01	MOTOR MTG PLT W/A	1	46	SCBA08202	BUTT SCREW	2
7	802779 01	TOP WASHER IMPELLER	1	47	802699 01	TRANSFER	1
8	803107 01	CENTRE HUB	1	48	BPG-00200	PLASTIC PLUG	1
9	MOTH00800	BI-DIRECTIONAL HYD MOTOR	1	49	HSS-0316	SETSCREW	1
10	PUM900430	FLANGE	2	50	NUT-0271	NUT	1
11	WSH-0036	PLAIN WASHER	1	51	FITC00311	HYD. BLANKING PLUG	1
12	HSSA24620	HEX HD SCREW	1	52	WSH-0058	WASHER	1
13	HVB-22115	FLOW CONTROL VALVE	1	53	804568 01	SUPPORT BRKT	1
14	NUT-0275	NYLOC NUT	1	54	190119 47	WASHER	1
15	HALAA0707	90 HYD ELBOW	1				
16	HSS-0145	HEX HD SCREW	1				
17	WSH-0012	PLAIN WASHER	17				
18	NUT-0263	NYLOC NUT	10				
19	WSH-1010	DOWTY WASHER	3				
20	HHEF07005	HYD HOSE ASSY	2				
21	HMA-0065	M/M ADAPTER	3				
22	WSH-1020	DOWTY WASHER	2				
23	HMA-0060	M/M ADAPTER	3				
24	FITA11407	TEE FIT F/F/M	1				
25	WSH-0024	PLAIN WASHER	4				
26	SCBA08260	BUTT SCREW	2				
27	SCW-0086	CAP HEAD SCW	1				
28	WSH-0056	SPRING WASHER	1				
29	BLTF12233	COACH BOLT	4				
30	WSH-0018	PLAIN WASHER	4				
31	NUT-0269	NUT	4				
32	BLTA06350	HEX HD BOLT	2				
33	NUT-0260	NYLOC NUT	2				
34	WSH-0009	PLAIN WASHER	2				
35	HSS-0135	HEX HD BOLT	6				
36	WSH-0070	SPRING WASHER	2				
37	HHBH26805	HYD HOSE ASSY	1				
38	HHBF27505	HYD HOSE ASSY	1				
39	HSS-0312	HEX HD SETSCREW	2				
40	TIE-0004	TIE WRAPS	2				

Shelbourne Reynolds Engineering Limited

ITEM 13 LAYOUT



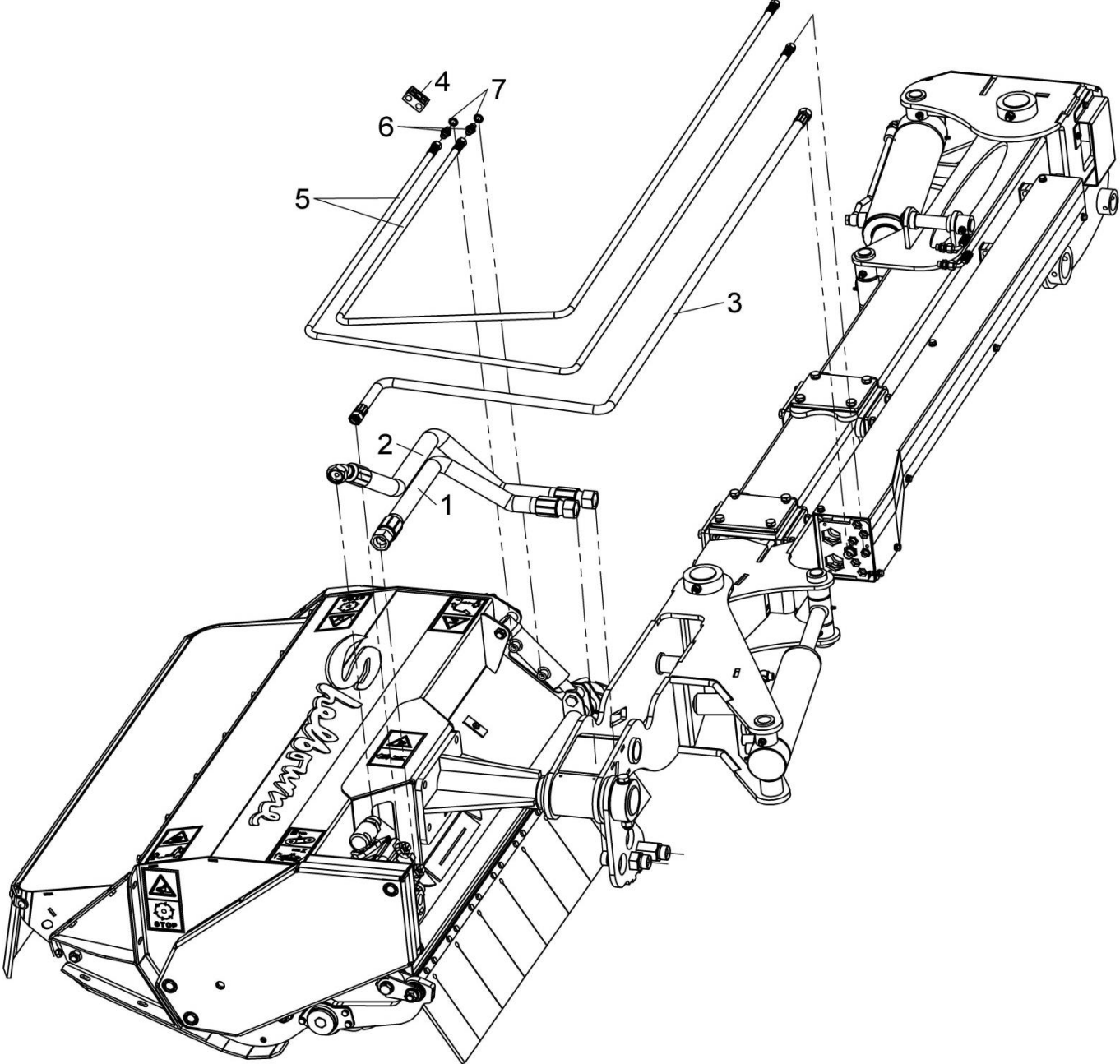
KIT-08246



Shelbourne Reynolds Engineering Limited

ASSY NUMBER: KIT-08249				ASSY DESCRIPTION: 1.2MT HEAD HYDRAULICS FOR HD7X5 & 8X5 VFRT UPTO PBXXX170760			
ITEM	PART NO	DESCRIPTION	QTY	ITEM	PART NO	DESCRIPTION	QTY
1	HHAI05505	HOSE (LH DRIVE HD)	1				
OR	HHAI04605	HOSE (RH DRIVE HD)	1				
2	HHDI06605	HOSE (LH DRIVE HD)	1				
OR	HHDI05305	HOSE (RH DRIVE HD)	1				
3	HHAF25005	HOSE (DRAIN)	1				
4	HCPD01400	HYD PIPE CLAMP	1				
5	HHAC27505	HOSE	2				
6	HMA-0052	ADAPTOR	2				
7	WSH-1005	BONDED SEAL	2				

Shelbourne Reynolds Engineering Limited

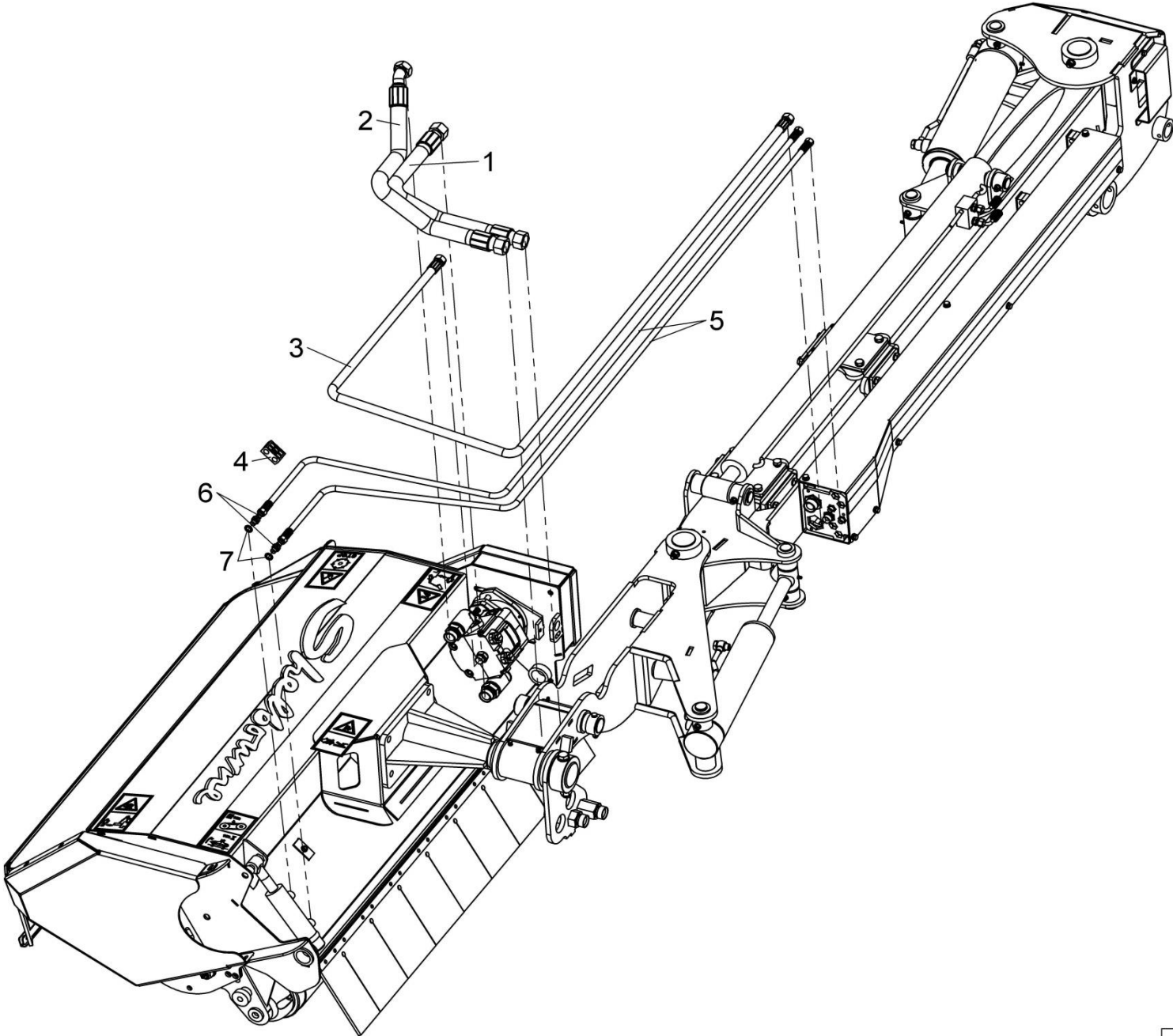


KIT-08247/48/49 & 50



Shelbourne Reynolds Engineering Limited

ASSY NUMBER: KIT-08249				ASSY DESCRIPTION: 1.2MT HEAD HYDRAULICS FOR HD7X5 & 8X5 VFRT UPTO PBXXX170760			
ITEM	PART NO	DESCRIPTION	QTY	ITEM	PART NO	DESCRIPTION	QTY
1	HHAI05505	HOSE (LH DRIVE HD)	1				
OR	HHAI04605	HOSE (RH DRIVE HD)	1				
2	HHDI06605	HOSE (LH DRIVE HD)	1				
OR	HHDI05305	HOSE (RH DRIVE HD)	1				
3	HHAF25005	HOSE (DRAIN)	1				
4	HCPD01400	HYD PIPE CLAMP	1				
5	HHAC27505	HOSE	2				
6	HMA-0052	ADAPTOR	2				
7	WSH-1005	BONDED SEAL	2				



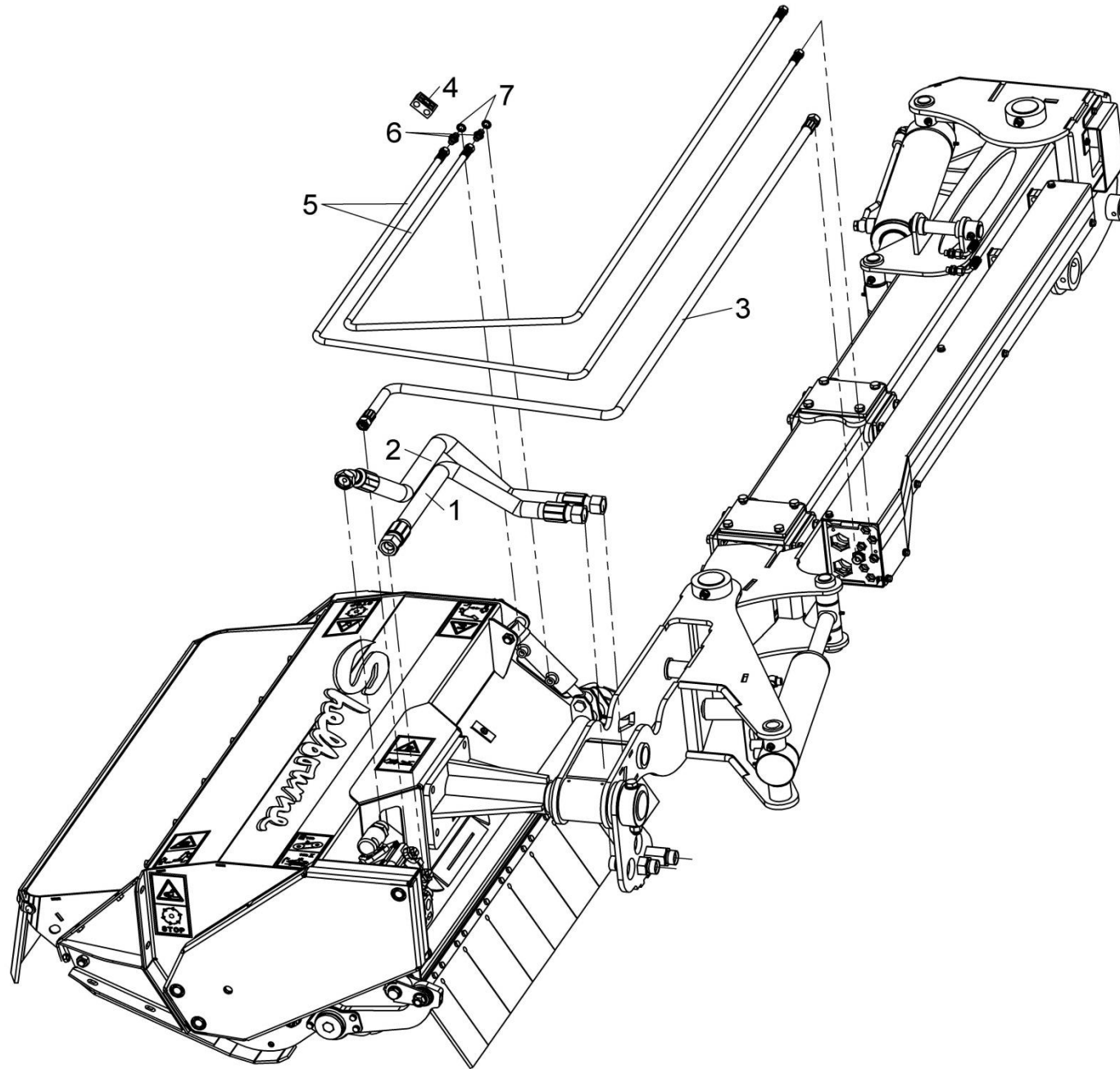
KIT-08247/48/49/50B



Shelbourne Reynolds Engineering Limited

ASSY NUMBER: KIT-08250				ASSY DESCRIPTION: 1.5MT HEAD HYDRAULICS FOR HD7X5 & 8X5 VFRT UPTO PBXXX170760			
ITEM	PART NO	DESCRIPTION	QTY	ITEM	PART NO	DESCRIPTION	QTY
1	HHAI07205	HOSE (LH DRIVE HD)	1				
OR	HHAI06005	HOSE (RH DRIVE HD)	1				
2	HHAI08305	HOSE (LH DRIVE HD)	1				
OR	HHAI07105	HOSE (RH DRIVE HD)	1				
3	HHAF26005	HOSE (LH DRIVE) (DRAIN)	1				
OR	HHAF27005	HOSE (RH DRIVE) (DRAIN)	1				
4	HCPD01400	HYD.PIPE CLAMP	1				
5	HHAC31005	HOSE	2				
6	HMA-0052	ADAPTOR	2				
7	WSH-1005	BONDED SEAL	2				

Shelbourne Reynolds Engineering Limited

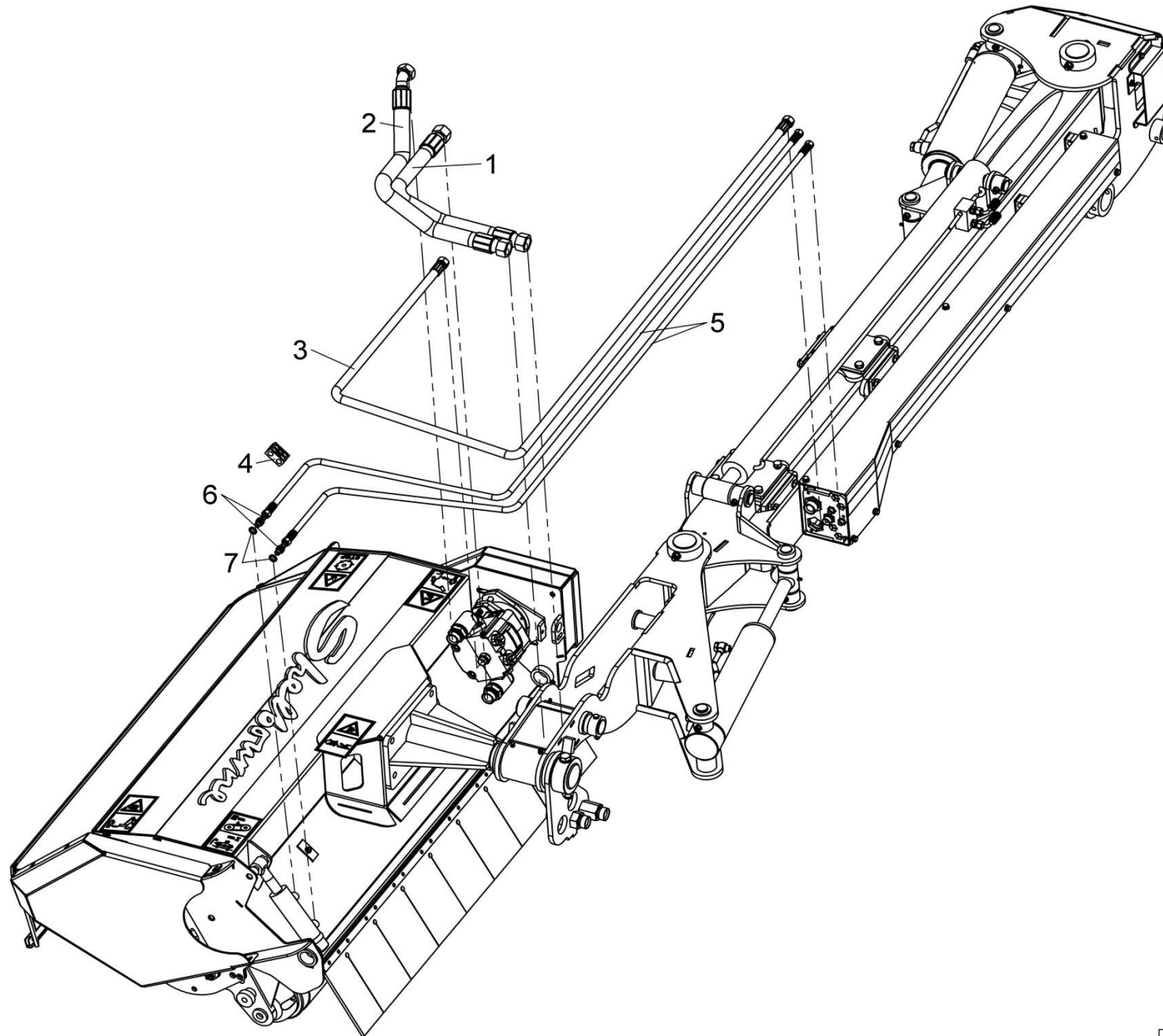


KIT-08247/48/49 & 50



Shelbourne Reynolds Engineering Limited

ASSY NUMBER: KIT-08250				ASSY DESCRIPTION: 1.5MT HEAD HYDRAULICS FOR HD7X5 & 8X5 VVRT UPTO PBXXX170760			
ITEM	PART NO	DESCRIPTION	QTY	ITEM	PART NO	DESCRIPTION	QTY
1	HHAI07205	HOSE (LH DRIVE HD)	1				
OR	HHAI06005	HOSE (RH DRIVE HD)	1				
2	HHAI08305	HOSE (LH DRIVE HD)	1				
OR	HHAI07105	HOSE (RH DRIVE HD)	1				
3	HHAF26005	HOSE (LH DRIVE) (DRAIN)	1				
OR	HHAF27005	HOSE (RH DRIVE) (DRAIN)	1				
4	HCPD01400	HYD.PIPE CLAMP	1				
5	HHAC31005	HOSE	2				
6	HMA-0052	ADAPTOR	2				
7	WSH-1005	BONDED SEAL	2				

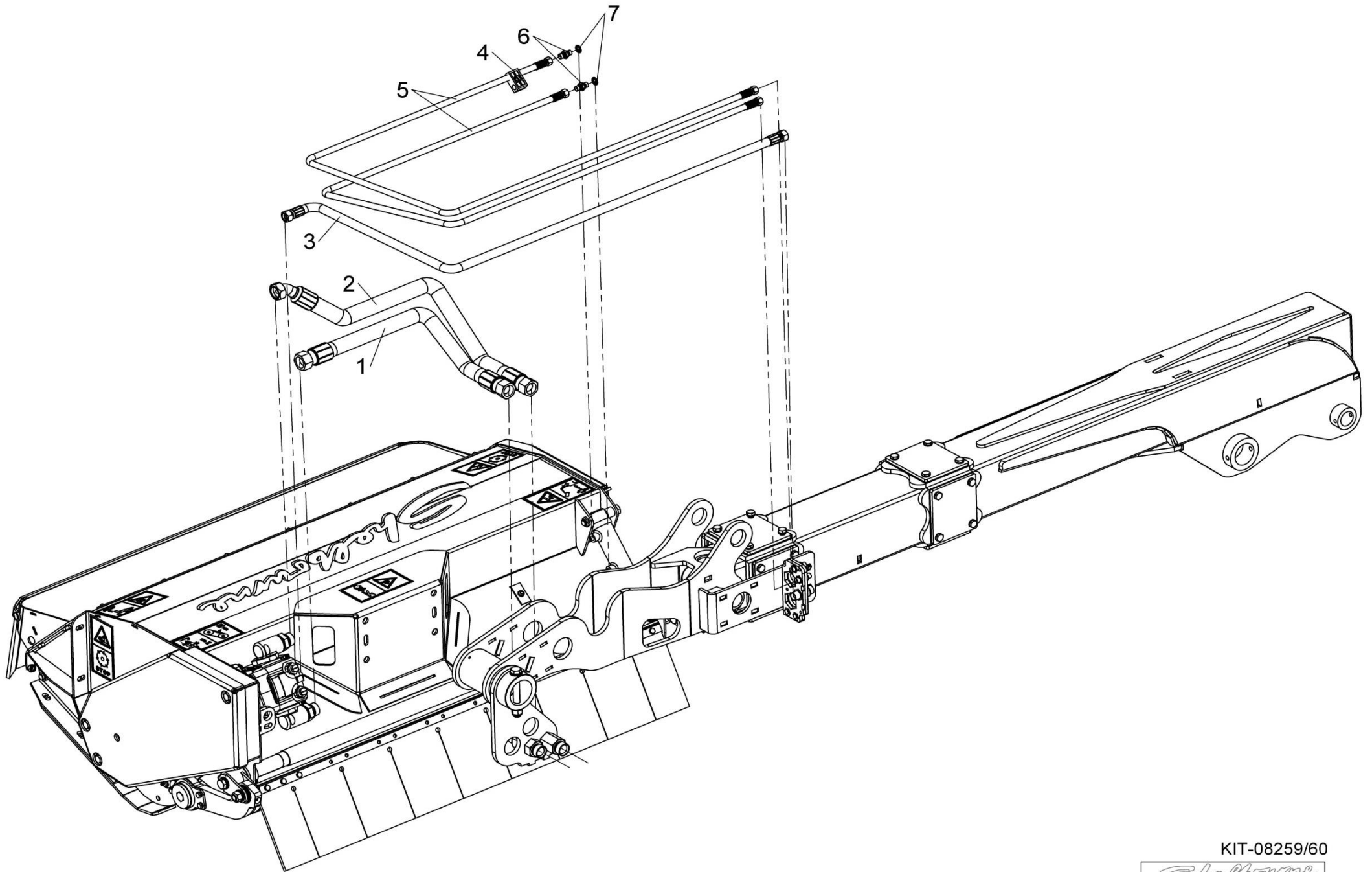


KIT-08247/48/49/50B



Shelbourne Reynolds Engineering Limited

ASSY NUMBER: KIT-08259				ASSY DESCRIPTION: 1.2MT HEAD HYDRAULICS FOR HD8X0 TELE UPTO PBXXX170760			
ITEM	PART NO	DESCRIPTION	QTY	ITEM	PART NO	DESCRIPTION	QTY
1	HHAI05505	HOSE (LH DRIVE HD)	1				
OR	HHAI04605	HOSE (RH DRIVE HD)	1				
2	HHDI06605	HOSE (LH DRIVE HD)	1				
OR	HHDI05305	HOSE (RH DRIVE HD)	1				
3	HHAF17605	HOSE (DRAIN)	1				
4	HCPD01400	HYD.PIPE CLAMP	1				
5	HHAC20005	HOSE (LH DRIVE HD)	2				
OR	HHAC21505	HOSE (RH DRIVE HD)	2				
6	HMA-0052	ADAPTOR	2				
7	WSH-1005	BONDED SEAL	2				

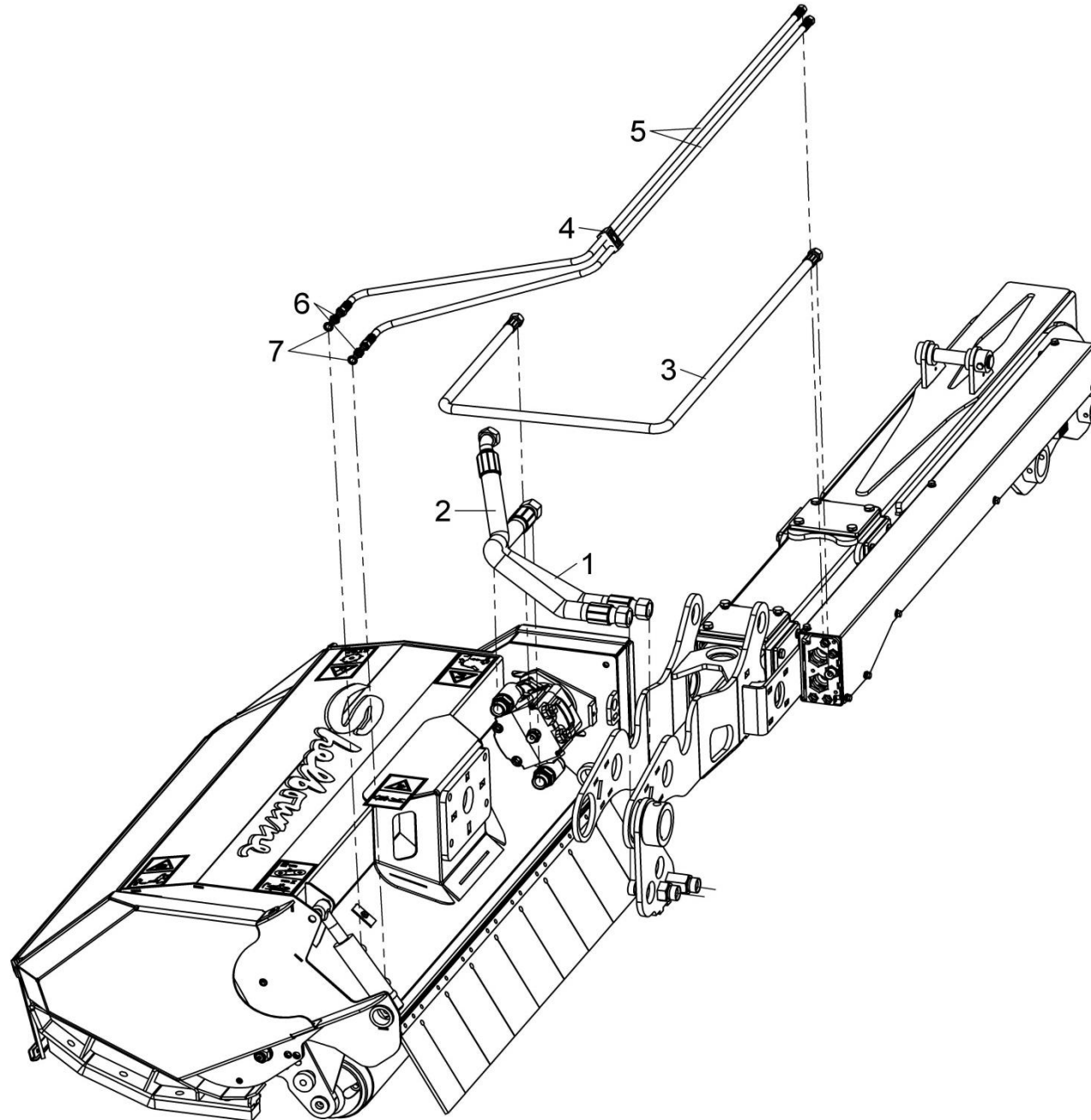


KIT-08259/60



Shelbourne Reynolds Engineering Limited

ASSY NUMBER: KIT-08259				ASSY DESCRIPTION: 1.2MT HEAD HYDRAULICS FOR HD8X0 TELE UPTO PBXXX170760			
ITEM	PART NO	DESCRIPTION	QTY	ITEM	PART NO	DESCRIPTION	QTY
1	HHAI05505	HOSE (LH DRIVE HD)	1				
OR	HHAI04605	HOSE (RH DRIVE HD)	1				
2	HHDI06605	HOSE (LH DRIVE HD)	1				
OR	HHDI05305	HOSE (RH DRIVE HD)	1				
3	HHAF17605	HOSE (DRAIN)	1				
4	HCPD01400	HYD.PIPE CLAMP	1				
5	HHAC20005	HOSE (LH DRIVE HD)	2				
OR	HHAC21505	HOSE (RH DRIVE HD)	2				
6	HMA-0052	ADAPTOR	2				
7	WSH-1005	BONDED SEAL	2				

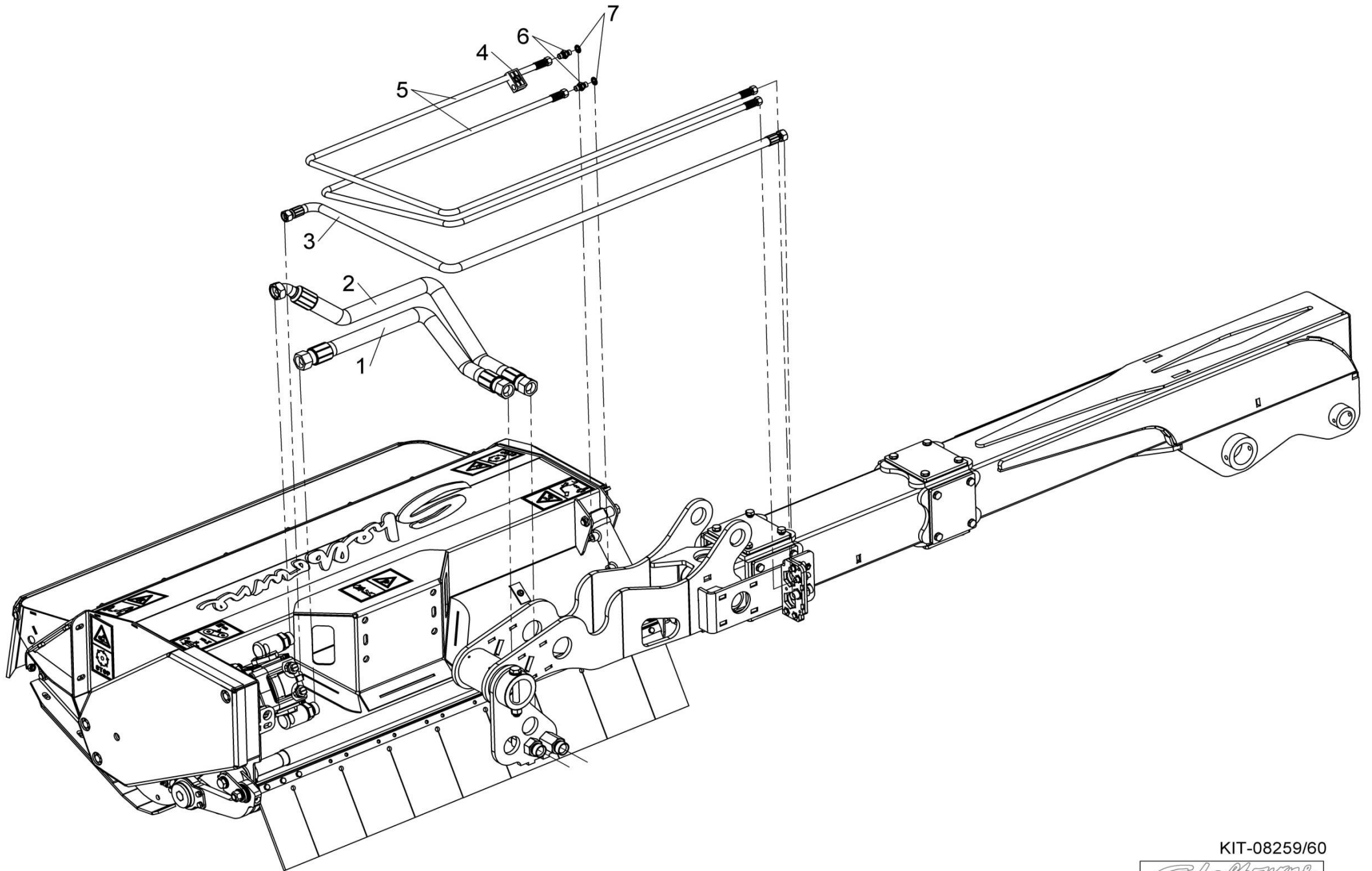


KIT-08259/60 B



Shelbourne Reynolds Engineering Limited

ASSY NUMBER: KIT-08260				ASSY DESCRIPTION: 1.5MT HEAD HYDRAULICS FOR HD8X0 TELE UPTO PBXXX170760			
ITEM	PART NO	DESCRIPTION	QTY	ITEM	PART NO	DESCRIPTION	QTY
1	HHAI07205	HOSE (LH DRIVE HD)	1				
OR	HHAI06005	HOSE (RH DRIVE HD)	1				
2	HHAI08305	HOSE (LH DRIVE HD)	1				
OR	HHAI07105	HOSE (RH DRIVE HD)	1				
3	HHAF19105	HOSE (DRAIN)	1				
4	HCPD01400	HYD. PIPE CLAMP	1				
5	HHAC21505	HOSE (LH DRIVE HD)	2				
OR	HHAC23005	HOSE (RH DRIVE HD)	2				
6	HMA-0052	ADAPTOR	2				
7	WSH-1005	BONDED SEAL	2				

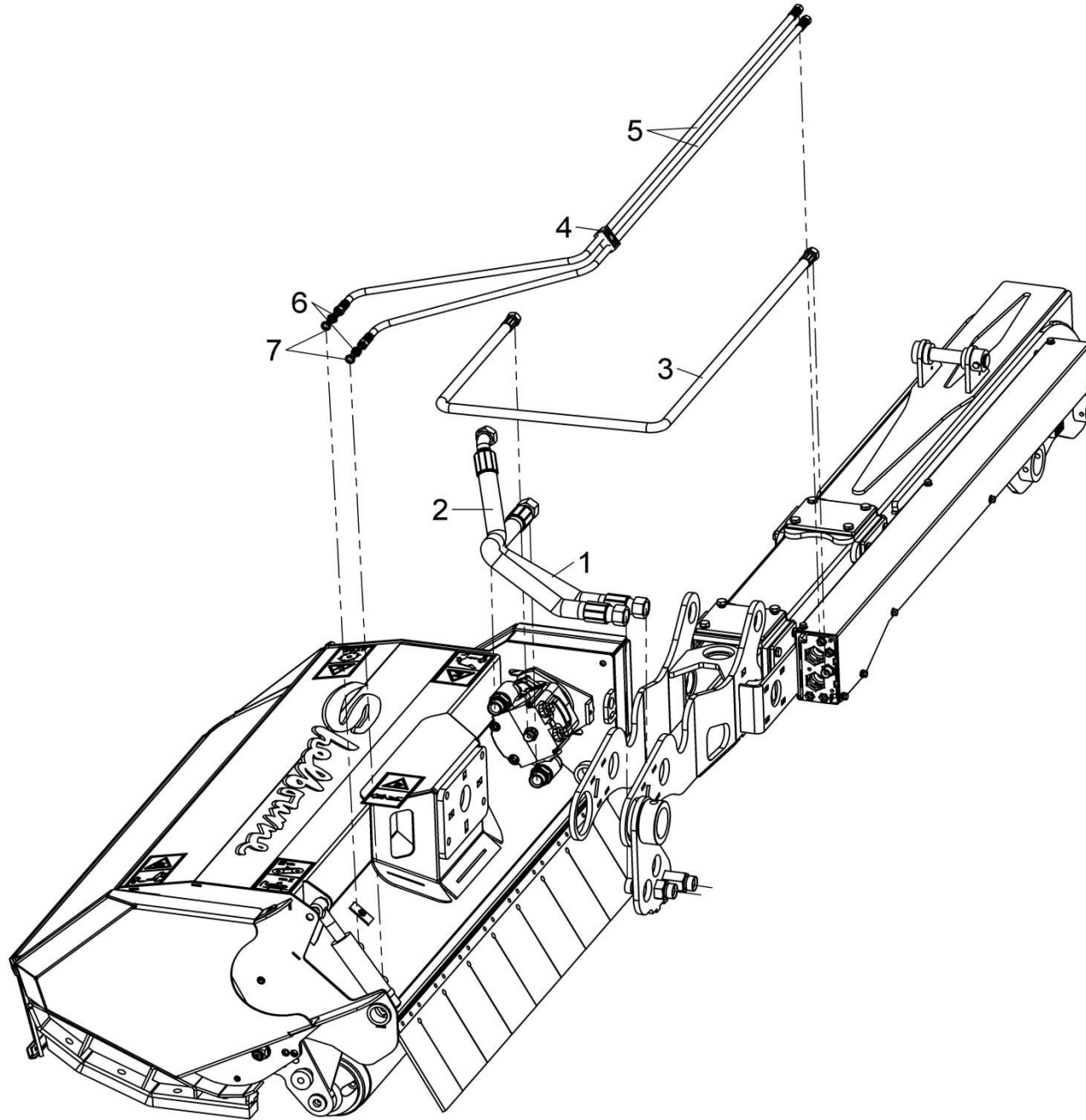


KIT-08259/60



Shelbourne Reynolds Engineering Limited

ASSY NUMBER: KIT-08260				ASSY DESCRIPTION: 1.5MT HEAD HYDRAULICS FOR HD8X0 TELE UPTO PBXXX170760			
ITEM	PART NO	DESCRIPTION	QTY	ITEM	PART NO	DESCRIPTION	QTY
1	HHAI07205	HOSE (LH DRIVE HD)	1				
OR	HHAI06005	HOSE (RH DRIVE HD)	1				
2	HHAI08305	HOSE (LH DRIVE HD)	1				
OR	HHAI07105	HOSE (RH DRIVE HD)	1				
3	HHAF19105	HOSE (DRAIN)	1				
4	HCPD01400	HYD. PIPE CLAMP	1				
5	HHAC21505	HOSE (LH DRIVE HD)	2				
OR	HHAC23005	HOSE (RH DRIVE HD)	2				
6	HMA-0052	ADAPTOR	2				
7	WSH-1005	BONDED SEAL	2				



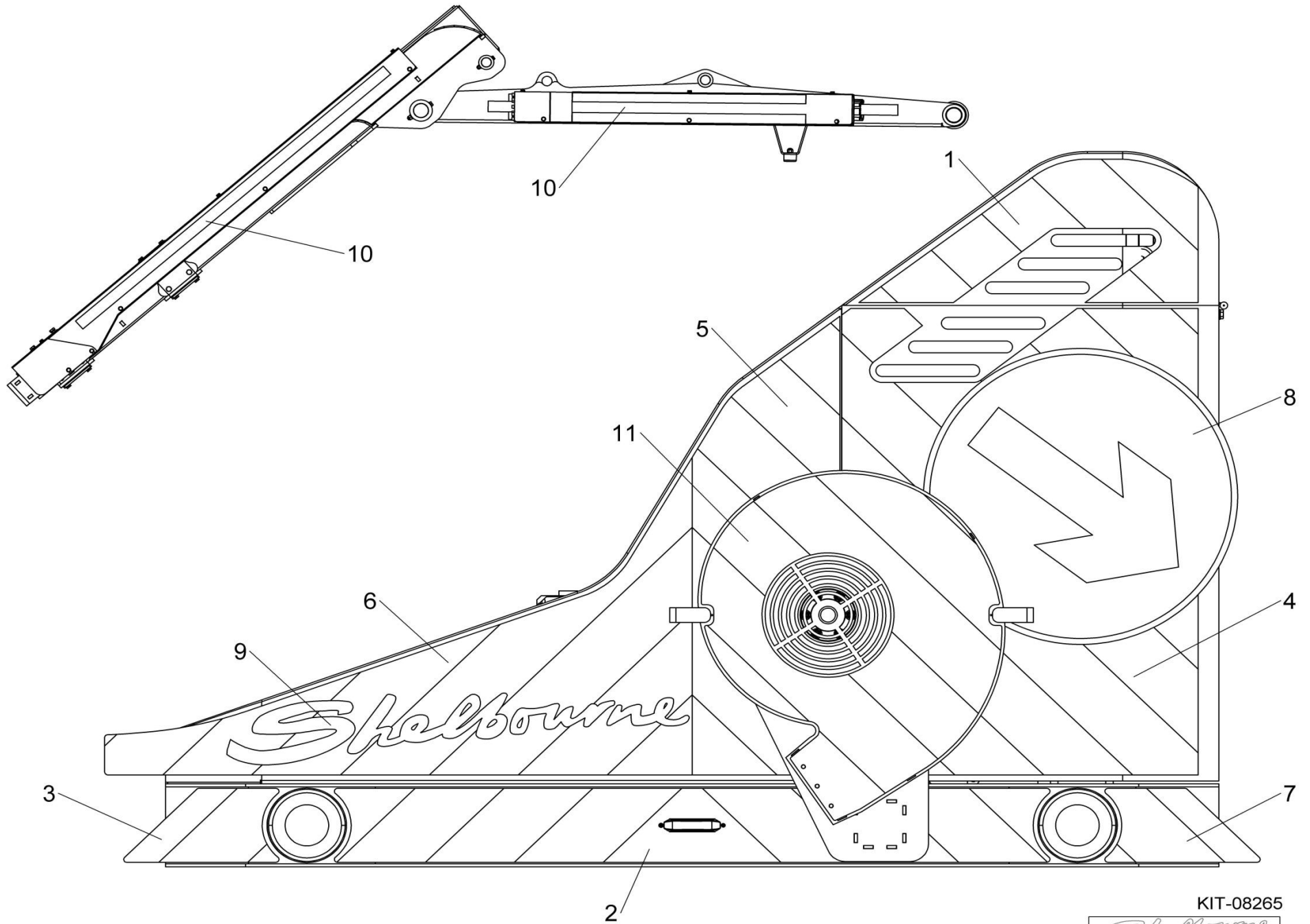
KIT-08259/60 B



Shelbourne Reynolds Engineering Limited

ASSY NUMBER: KIT-08265				ASSY DESCRIPTION: HIGHWAYS KIT (800 SERIES)			
ITEM	PART NO	DESCRIPTION	QTY	ITEM	PART NO	DESCRIPTION	QTY
1	804554 01	REAR FLUORESCENT PANEL -	1				
2	804555 01	LIGHT BOARD TRANSFER	1				
3	804556 01	LEFT HAND LIGHT BOARD TRANSFER	1			KIT-08265A - HIGHWAYS KIT WITH DEBRIS BLOWER	
4	804557 01	REAR FLUORESCENT PANEL -	1				
5	804559 01	REAR FLUORESCENT PANEL -	1				
6	804560 01	REAR FLUORESCENT PANEL -	1				
7	804556 02	RIGHT HAND LIGHT BOARD	1				
8	801977 01	MAGNETIC ARROW 500mm	1				
9	804561 01	SHELBOURNE TRANSFER (WHITE)	1				
10	802084 01	FLUORESCENT BOOM TRANSFER	2				
11	804587 01	DEBRIS BLOWER TRANSFER (KIT-08265A ONLY)	1				

Shelbourne Reynolds Engineering Limited

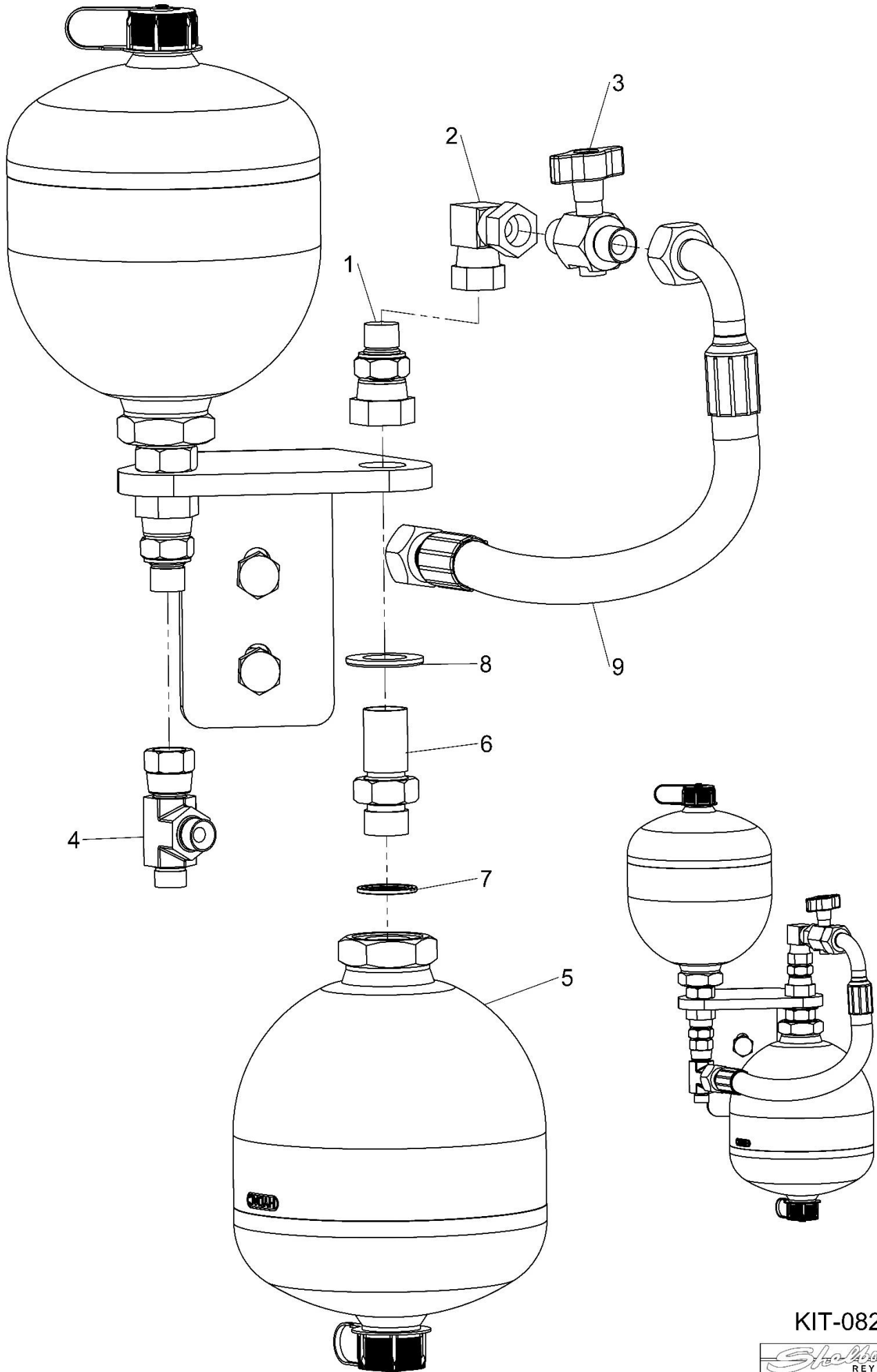


KIT-08265



Shelbourne Reynolds Engineering Limited

ASSY NUMBER: KIT-08272				ASSY DESCRIPTION: TWIN ACCUMULATOR KIT (800,6000,7000 & 8000)			
ITEM	PART NO	DESCRIPTION	QTY	ITEM	PART NO	DESCRIPTION	QTY
1	FIT-0240	ADAPTER	1				
2	HAKAA0505	ADAPTER	1				
3	HVB-02620	SHUT OFF VALVE	1				
4	FITA10410	TEE FITTING	1				
5	HYA-01430	ACCUMULATOR	1				
6	HAGAA0707	BULKHEAD FITTING	1				
7	WSH-1015	DOWTY WASHER	1				
8	WSH-0030	PLAIN WASHER	1				
9	HHBE02405	HYD HOSE	1				



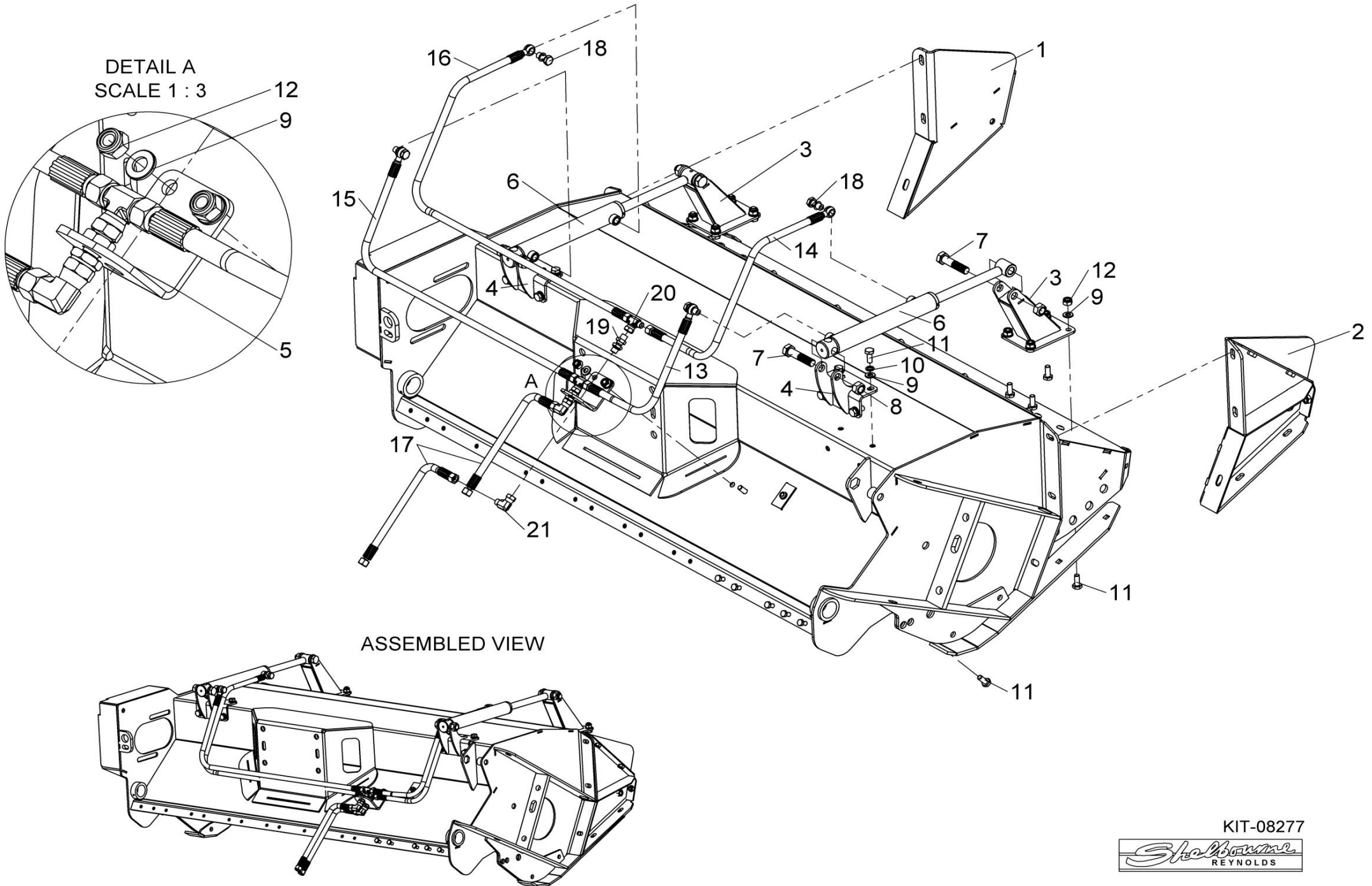
KIT-08272



Shelbourne Reynolds Engineering Limited

ASSY NUMBER: KIT-08277				ASSY DESCRIPTION: HYDRAULIC NOSE KIT 1.2m & 1.5m HEADS. LH & RH DRIVE.			
ITEM	PART NO	DESCRIPTION	QTY	ITEM	PART NO	DESCRIPTION	QTY
1	803706 01	NOSE SIDE PANEL LH (LH DRIVE)	1				
OR	803706 02	NOSE SIDE PANEL RH (RH DRIVE)	1			KIT-08277A(G) - 1.2/1.5m	
2	803708 01	NOSE SIDE PANEL RH (LH DRIVE)	1			LH DRIVE 600/HD700/HD800	
OR	803708 02	NOSE SIDE PANEL LH (RH DRIVE)	1			KIT-08277B(G) - 1.2/1.5m	
3	803697 01	NOSE TO RAM BRACKET W/A	2			RH DRIVE 600/HD700/HD800	
4	804728 01	HEAD TO RAM BRACKET W/A	2			KIT-08277C(G) -1.2/1.5m	
5	804730 01	BULKHEAD BRACKET	1			LH DRIVE HD800 VFRT	
6	RAM-0025	DOUBLE ACTING RAM	2			KIT-08277D(G) -1.2/1.5m	
7	BLT-2314	BOLT	4			RH DRIVE HD800 VFRT	
8	NUTA15162	NUT	4				
9	WSH-0015	WASHER	18				
10	WSH-0061	SPRING WASHER	8				
11	HSS-0191	BOLT	18				
12	NUT-0265	NUT	10				
13	HHLC04005	HOSE	1				
14	HHLC05905	HOSE	1				
15	HHLC09805	HOSE	1				
16	HHLC12005	HOSE	1				
17	HHAC18505	HOSE 1.2/1.5m TELE	2				
OR	HHAC23005	HOSE 1.2/1.5m VFRT	2				
18	HFAW50003	BANJO BOLT AND SEALS	4				
19	HBK-0010	BULKHEAD	2				
20	FITA10130	HYD TEE	2				
21	HALAA0303	HYD ELBOW 90	2				

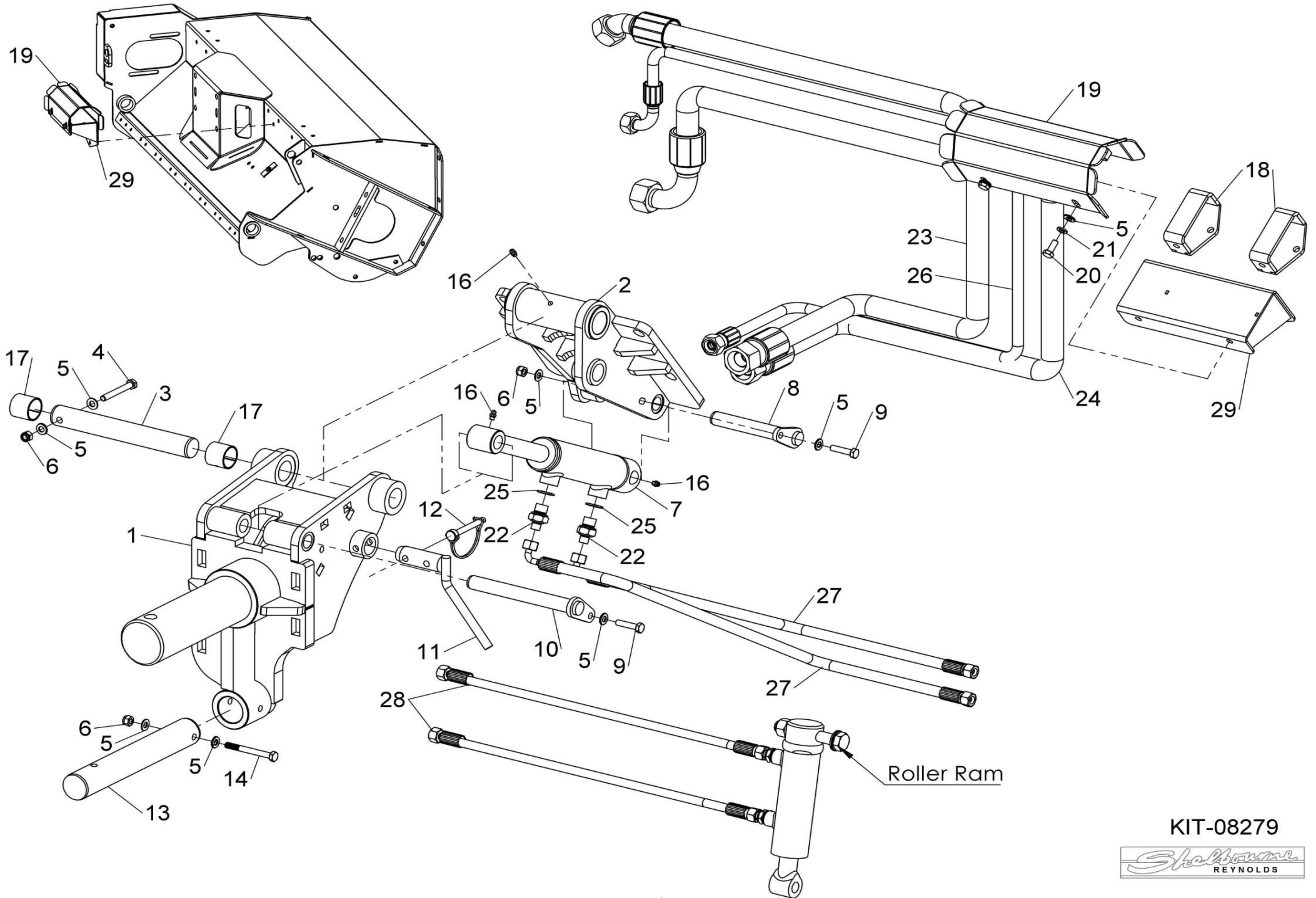
Shelbourne Reynolds Engineering Limited



Shelbourne Reynolds Engineering Limited

ASSY NUMBER: KIT-08279				ASSY DESCRIPTION: 1.2m NARROW LANE BRACKET HD800			
ITEM	PART NO	DESCRIPTION	QTY	ITEM	PART NO	DESCRIPTION	QTY
1	804770 01	BOOM MOUNTING BRKT W/ASSY	1	28	<u>HHAC20005</u>	HOSE (1.2m TELE)	2
2	801336 01	HEAD MOUNT W/A	1	OR	HHAC23005	HOSE (1.5m TELE)	
3	800101 19	PIN - BB RAM ROD	1	OR	HHAC27505	HOSE (1.2m VFRT)	
4	BLTA08410	HEX.HEAD BOLT	1	OR	HHAC31005	HOSE (1.5m VFRT)	
5	WSH-0012	PLAIN WASHER	8	29	805902 01	HEAD HOSE CLAMP (DEC18 & ON)	1
6	NUT-0263	NYLOC NUT	3	OR	805902 02	HEAD HOSE CLAMP (DEC18 & ON)	1
7	RAM-0002	DOUBLE ACTING RAM	1	30	HSS-0191	SETSCREW(DEC18 & ON)	3
8	801346 02	NARROW LANE PIN (140)	1	31	WSH-0061	SPRING WASHER(DEC18 & ON)	3
9	HSS-0152	SET SCREW	2	32	WSH-0015	WASHER (DEC18 & ON)	3
10	801346 01	NARROW LANE PIN (179)	1				
11	801319 01	MD LOCKING PIN	1				
12	PIN-1720	SPRING PIN 'D' CLIP	1		KIT-08279	LH NARROW LANE BRACKET HD800	
13	805925 01	PIN (NOVEMBER 2018 & ON)	1		KIT-08279R	RH NARROW LANE BRACKET HD800	
OR	802839 11	PIN (UPTO NOVEMBER 2018)	1			<u>UNDERLINED PARTS ON HYDRAULICS</u>	
14	BLTA08380	HEX.HEAD BOLT				<u>KITS BELOW</u>	
15						A,B,C & D UP TO 2019	
16	NIP-00600	GREASE NIPPLE	3			E,F,G & H 2019 & ON	
17	BSH-3030	BUSH PLAIN	2				
18	802612 01	BRACKET (UPTO DEC18)	2		KIT-08279AHYD	1.2m NARROW LANE BRACKET FOR	
19	805078 01	HOSE GUARD PB660170814 & ON	1			HD800 SERIES TELE UP TO 2019	
OR	802613 01	HOSE GUARD UPTO PB660170814	1		KIT-08279BHYD	1.5m NARROW LANE BRACKET FOR	
20	HSS-0140	SETSCREW	4			HD800 SERIES TELE UP TO 2019	
21	WSH-0058	SPRING WASHER	4		KIT-08279CHYD	1.2m NARROW LANE BRACKET FOR	
22	190859 01	APAPTOR	2			HD800 SERIES VFRT UP TO 2019	
23	HHDI16705	HOSE(1.2m 2019 & ON)	1		KIT-08279DHYD	1.5m NARROW LANE BRACKET FOR	
OR	HHAI18305	HOSE(1.5m 2019 & ON)				HD800 SERIES VFRT UP TO 2019	
OR	HHDI17005	HOSE(1.2m UP TO 2019)					
OR	HHAI18505	HOSE(1.5m UP TO 2019)					
24	HHBI17905	HOSE(1.2m 2019 & ON)	1		KIT-08279EHYD	1.2m NARROW LANE BRACKET FOR	
OR	HHBI19405	HOSE(1.5m 2019 & ON)				HD800 SERIES TELE 2019 & ON	
OR	HHBI18205	HOSE(1.2m UP TO 2019)			KIT-08279FHYD	1.5m NARROW LANE BRACKET FOR	
OR	HHBI19705	HOSE(1.5m UP TO 2019)				HD800 SERIES TELE 2019 & ON	
25	WSH-1010	DOWTY WASHER	2		KIT-08279GHYD	1.2m NARROW LANE BRACKET FOR	
26	HBBF30005	HOSE (1.2m TELE)	1			HD800 SERIES VFRT 2019 & ON	
OR	HBBF31505	HOSE (1.5m TELE)			KIT-08279HHYD	1.5m NARROW LANE BRACKET FOR	
OR	HHDF36505	HOSE (1.2m VFRT)					
OR	HHDF38005	HOSE (1.5m VFRT)					
27	HHCC19705	HOSE	2				
OR	HHCC25505	HOSE					

Shelbourne Reynolds Engineering Limited

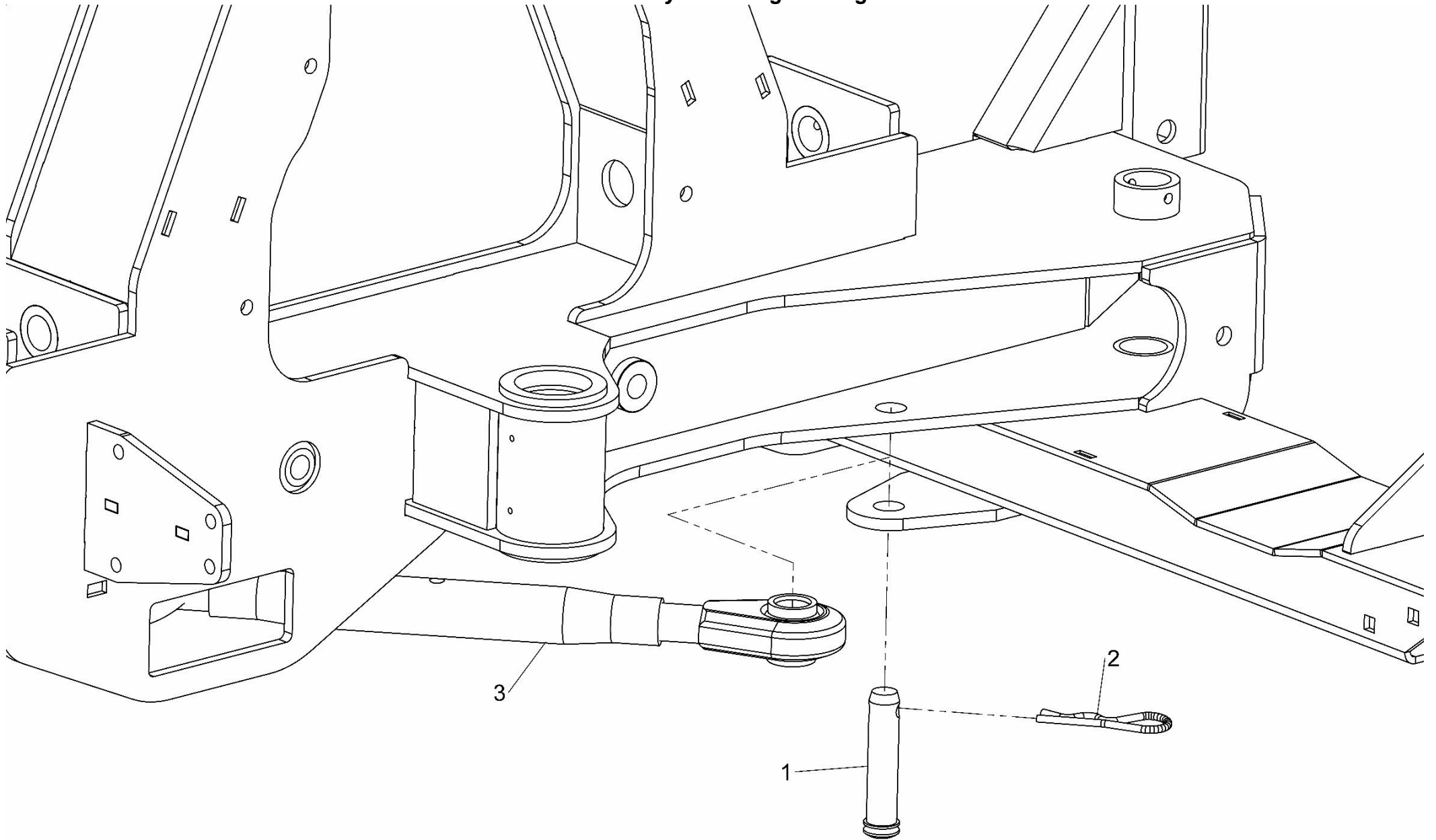


KIT-08279



Shelbourne Reynolds Engineering Limited

ASSY NUMBER: KIT-08284				ASSY DESCRIPTION: DRAWBAR KIT (400,600,6000, 7000,HD800 & 8000)			
ITEM	PART NO	DESCRIPTION	QTY	ITEM	PART NO	DESCRIPTION	QTY
1	800198 01	TOP LINK PIN CAT II	1				
2	CLP-00106	R CLIP	1				
3	ADL-13500	ADJUSTABLE TOP LINK	1				
OR	ADL-13570	ADJUSTABLE TOP LINK (LONGER)	AR				
						FOR 400 PB45X201298 & ON FOR 600 MID 2019 & ON	

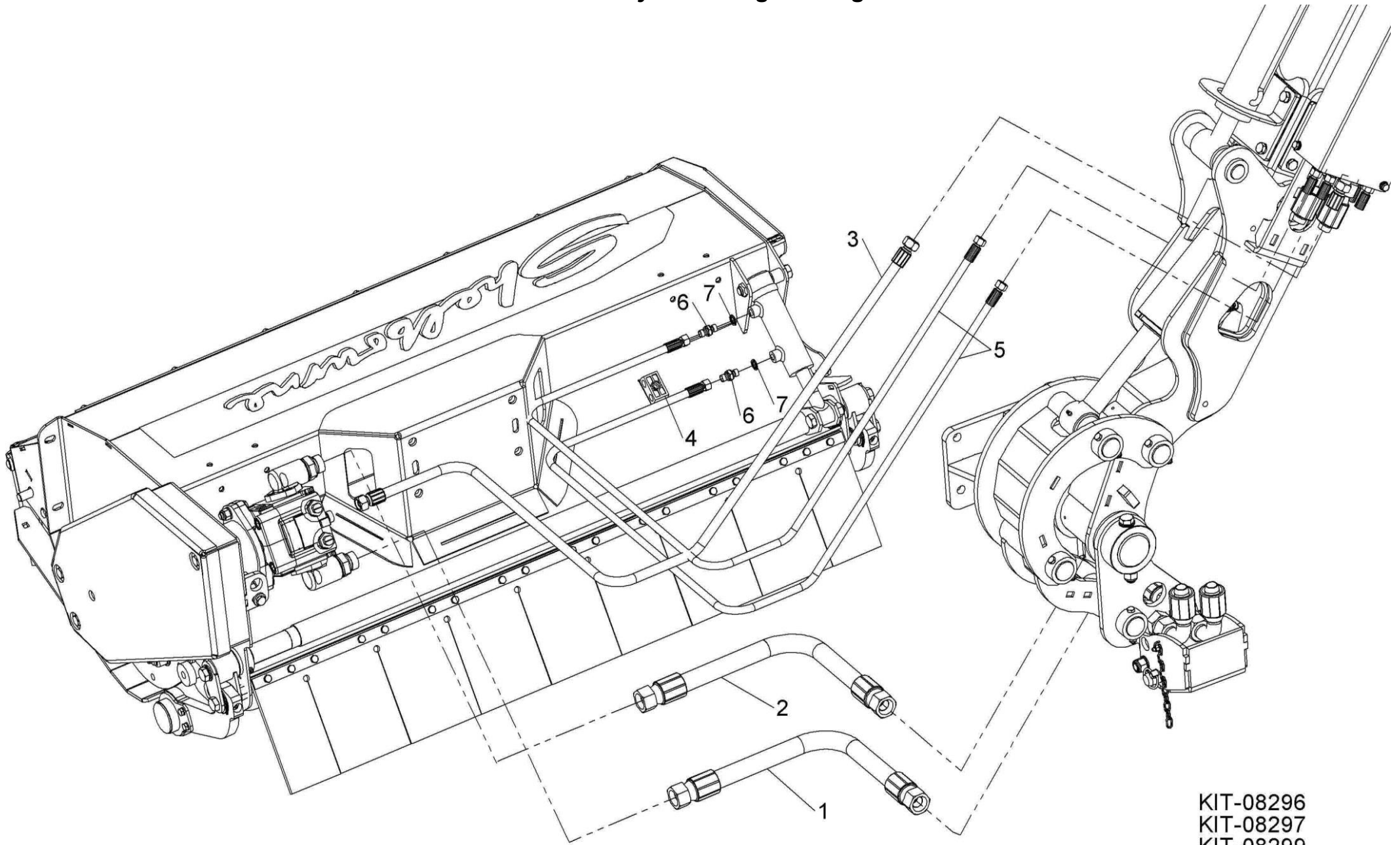


KIT-08284



Shelbourne Reynolds Engineering Limited

ASSY NUMBER: KIT-08296				ASSY DESCRIPTION: 1.2MT HEAD HYDRAULICS HD8X5 VFRT (PBXXX170760 & ON)			
ITEM	PART NO	DESCRIPTION	QTY	ITEM	PART NO	DESCRIPTION	QTY
1	HHAI05305	HOSE (LH DRIVE HD)	1				
OR	HHDI03305	HOSE (RH DRIVE HD)	1				
2	HHBI06405	HOSE (LH DRIVE HD)	1				
OR	HHBI04505	HOSE (RH DRIVE HD)	1				
3	HHAF25005	HOSE (DRAIN)	1				
4	HCPD01400	HYD PIPE CLAMP	1				
5	HHAC27505	HOSE	2				
6	HMA-0052	ADAPTOR	2				
7	WSH-1005	BONDED SEAL	2				

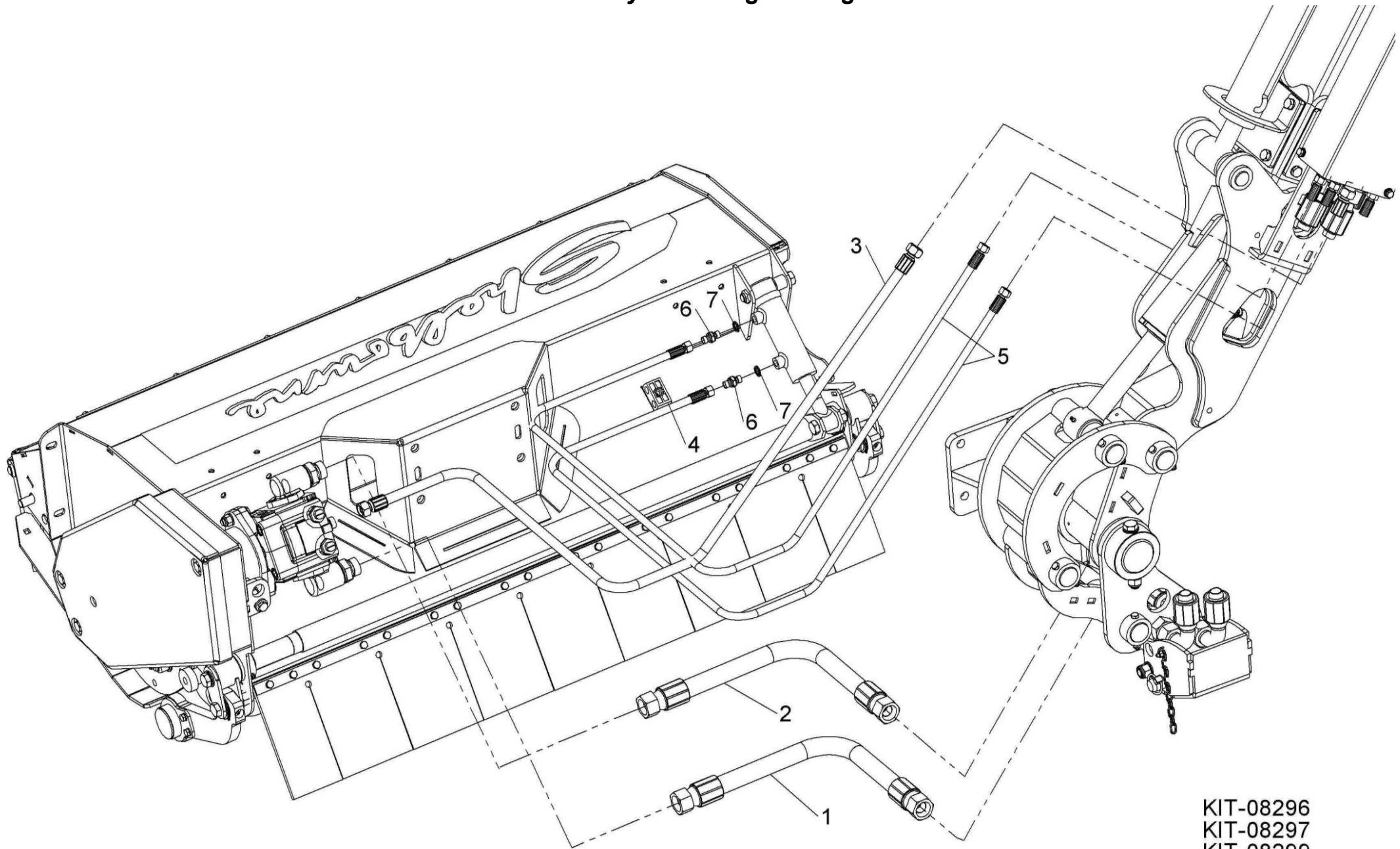


KIT-08296
KIT-08297
KIT-08299
KIT-08300



Shelbourne Reynolds Engineering Limited

ASSY NUMBER: KIT-08297				ASSY DESCRIPTION: 1.2MT HEAD HYDRAULICS FOR HD8X0 TELE PBXXX170760 & ON			
ITEM	PART NO	DESCRIPTION	QTY	ITEM	PART NO	DESCRIPTION	QTY
1	HHAI05305	HOSE (LH DRIVE HD)	1				
OR	HHDI03305	HOSE (RH DRIVE HD)	1				
2	HHBI06405	HOSE (LH DRIVE HD)	1				
OR	HHBI04505	HOSE (RH DRIVE HD)	1				
3	HHAF17605	HOSE (DRAIN)	1				
4	HCPD01400	HYD.PIPE CLAMP	1				
5	HHAC20005	HOSE (LH DRIVE HD)	2				
OR	HHAC21505	HOSE (RH DRIVE HD)	2				
6	HMA-0052	ADAPTOR	2				
7	WSH-1005	BONDED SEAL	2				

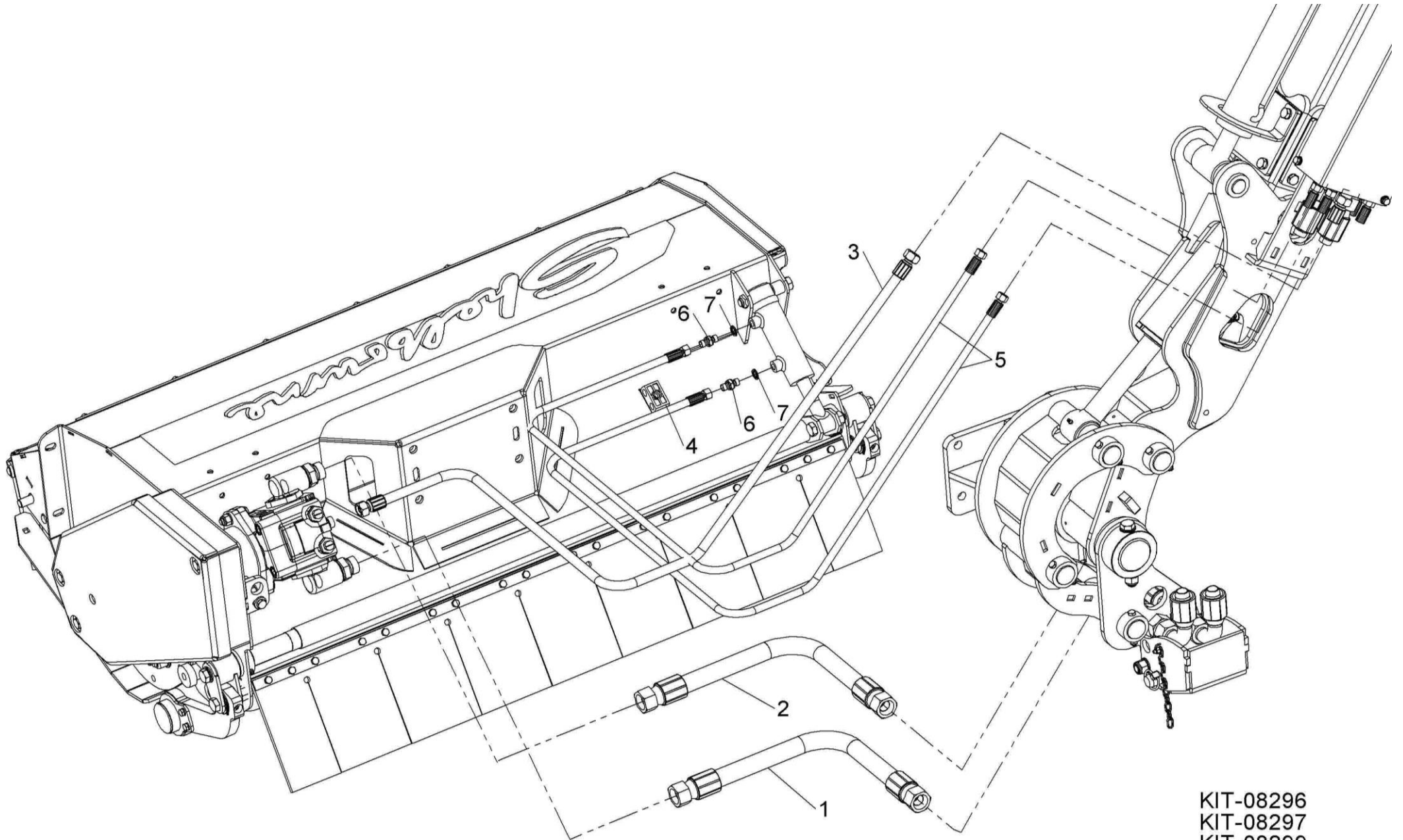


KIT-08296
KIT-08297
KIT-08299
KIT-08300



Shelbourne Reynolds Engineering Limited

ASSY NUMBER: KIT-08299				ASSY DESCRIPTION: 1.5MT HEAD HYDRAULICS FOR 8X5 VFRT PBXXX170760 & ON			
ITEM	PART NO	DESCRIPTION	QTY	ITEM	PART NO	DESCRIPTION	QTY
1	HHAI06905	HOSE (LH DRIVE HD)	1				
OR	HHAI05805	HOSE (RH DRIVE HD)	1				
2	HHAI08105	HOSE (LH DRIVE HD)	1				
OR	HHAI06905	HOSE (RH DRIVE HD)	1				
3	HHAF26005	HOSE (LH DRIVE) (DRAIN)	1				
OR	HHAF27005	HOSE (RH DRIVE) (DRAIN)	1				
4	HCPD01400	HYD.PIPE CLAMP	1				
5	HHAC31005	HOSE	2				
6	HMA-0052	ADAPTOR	2				
7	WSH-1005	BONDED SEAL	2				

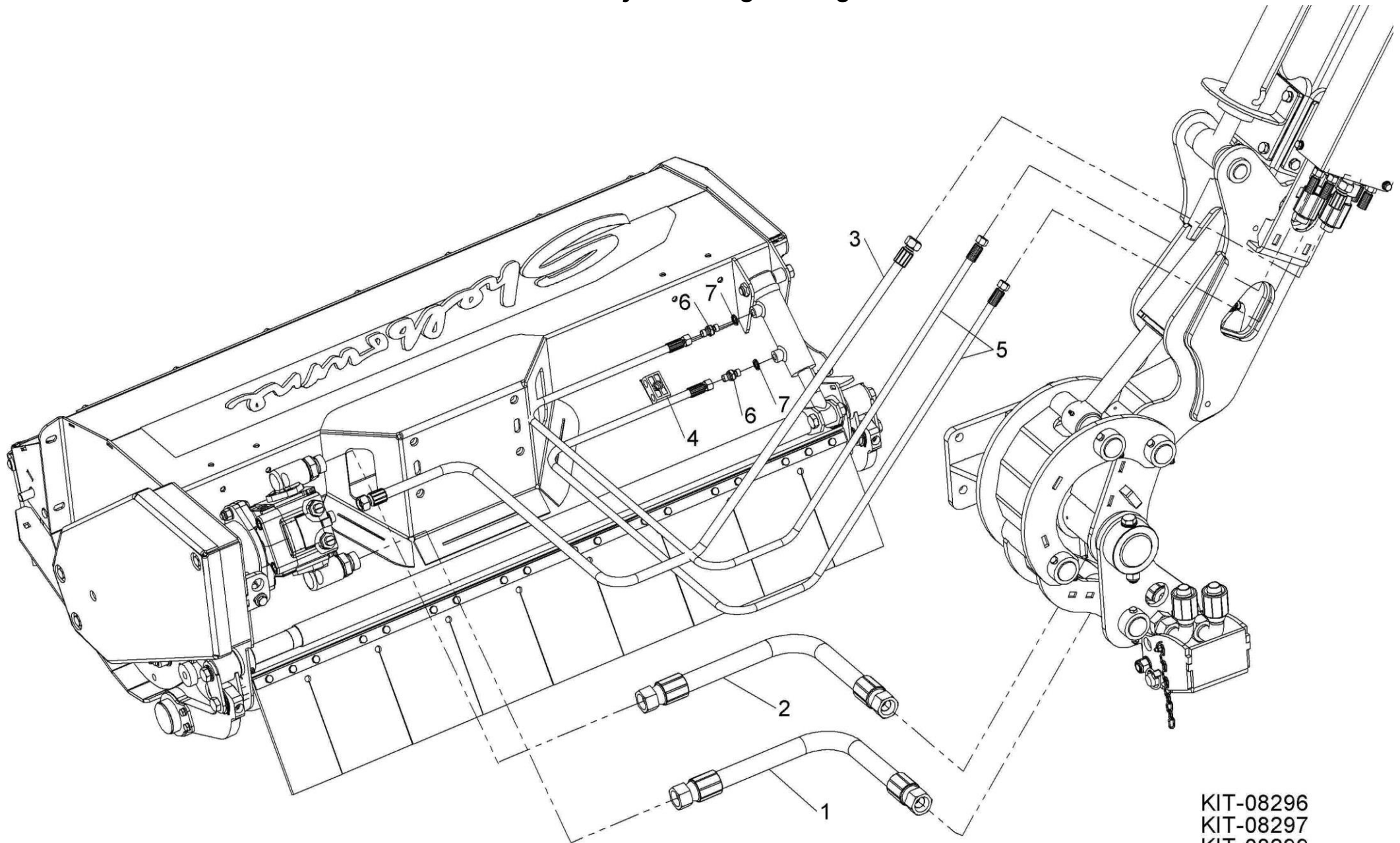


KIT-08296
KIT-08297
KIT-08299
KIT-08300



Shelbourne Reynolds Engineering Limited

ASSY NUMBER: KIT-08300				ASSY DESCRIPTION: 1.5MT HEAD HYDRAULICS FOR HD8X0 TELE PBXXX170760 & ON			
ITEM	PART NO	DESCRIPTION	QTY	ITEM	PART NO	DESCRIPTION	QTY
1	HHAI06905	HOSE (LH DRIVE HD)	1				
OR	HHAI05805	HOSE (RH DRIVE HD)	1				
2	HHAI08105	HOSE (LH DRIVE HD)	1				
OR	HHAI06905	HOSE (RH DRIVE HD)	1				
3	HHAF19105	HOSE (DRAIN)	1				
4	HCPD01400	HYD.PIPE CLAMP	1				
5	HHAC21505	HOSE (LH DRIVE HD)	2				
OR	HHAC23005	HOSE (RH DRIVE HD)	2				
6	HMA-0052	ADAPTOR	2				
7	WSH-1005	BONDED SEAL	2				

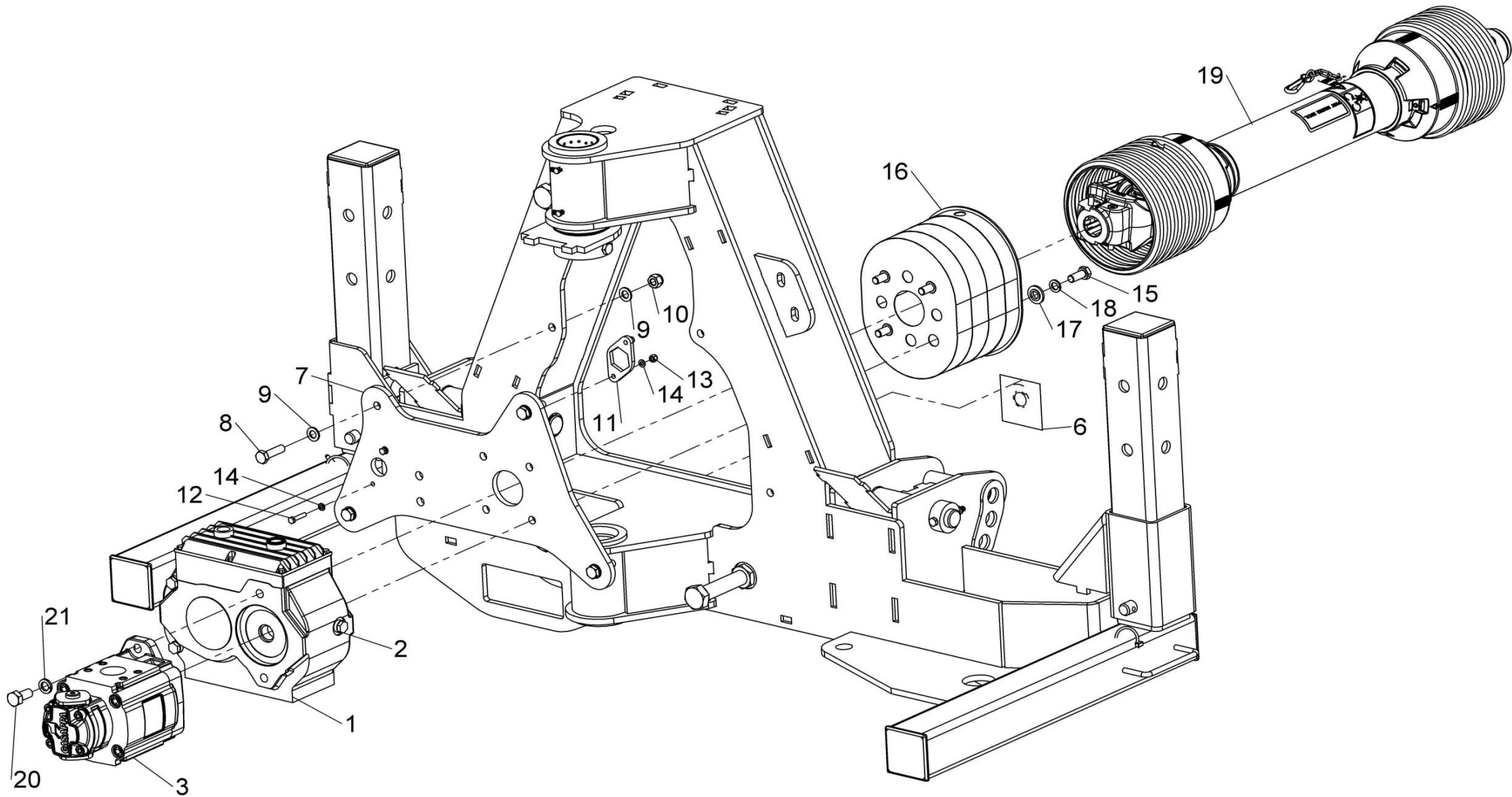


KIT-08296
KIT-08297
KIT-08299
KIT-08300



Shelbourne Reynolds Engineering Limited

ASSY NUMBER: KIT-08321				ASSY DESCRIPTION: STANDARD DRIVE KIT 2018 & ON			
ITEM	PART NO	DESCRIPTION	QTY	ITEM	PART NO	DESCRIPTION	QTY
1	GEA-0183	GEARBOX	1				
2	OIL-0005	GEARBOX OIL	1.75L				
3	PUM090720	TANDEM PUMP	1				
4		*NOW SEE HEAD DRIVE KIT*					
5		*NOW SEE HEAD DRIVE KIT*					
6	590475 01	TRANSFER 540RPM	1				
7	804208 01	GEARBOX MOUNTING PLATE	1				
8	BLTA12290	BOLT	4				
9	WSH-0018	WASHER	8				
10	NUT-0269	NYLOC NUT	4				
11	804647 01	RETAINING RING	1				
12	HSS-0092	SETSCREW	2				
13	NUT-0260	NYLOC NUT	2				
14	WSH-0009	WASHER	4				
15	HSS-0238	SETSCREW	4				
16	PTO-00903	PTO CONE	1				
17	800407 01	SPACER-GEARBOX MOUNT.	4				
18	WSH-0065	SPRING WASHER	4				
19	PTO-37000	PTO SHAFT 2019 & ON	1				
20	HSSA14200	SETSCREW	2				
21	WSHA15141	SPRING WASHER	2				

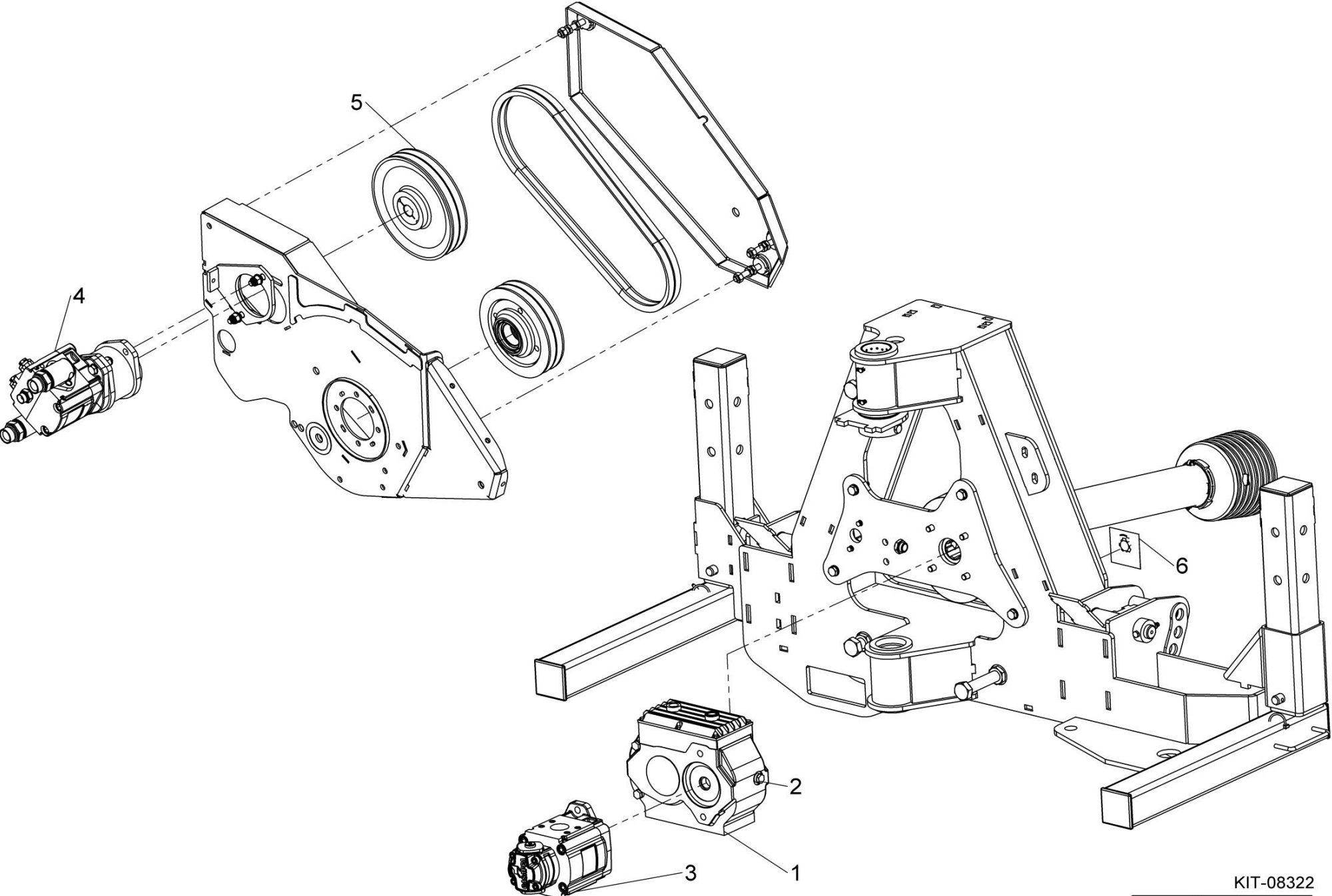


KIT-08321
KIT-08323



Shelbourne Reynolds Engineering Limited

ASSY NUMBER: KIT-08322				ASSY DESCRIPTION: 540RPM HIGHER POWER DRIVE KIT 2018 & ON			
ITEM	PART NO	DESCRIPTION	QTY	ITEM	PART NO	DESCRIPTION	QTY
1	GEA-0186	GEARBOX	1				
2	OIL-0005	GEARBOX OIL	1.75L				
3	PUM090570	TANDEM PUMP	1				
4	MOTH04300	MOTOR	1				
5	800027 01	MOTOR PULLEY	1				
6	590475 01	TRANSFER 540RPM	1				

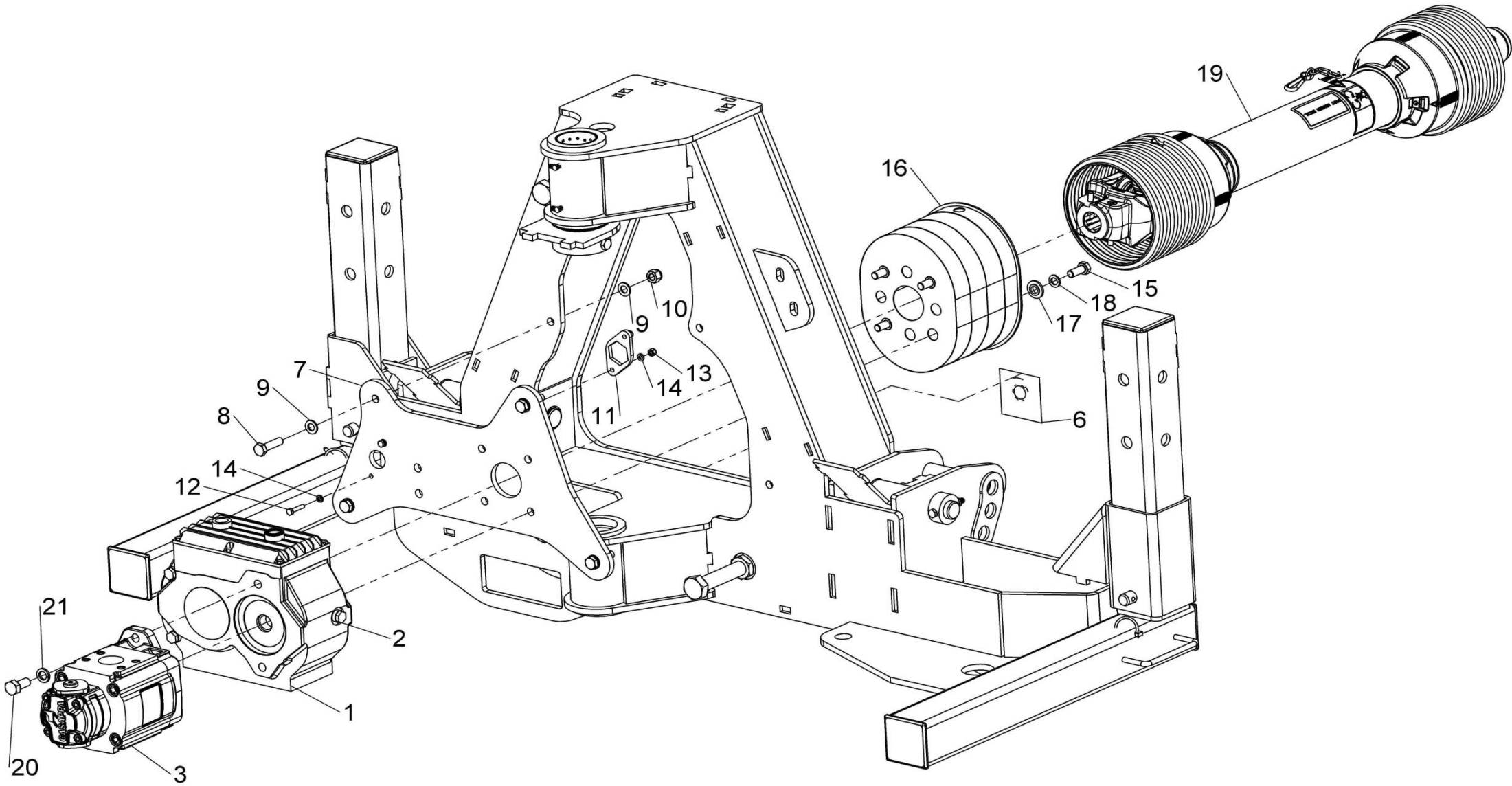


KIT-08322



Shelbourne Reynolds Engineering Limited

ASSY NUMBER: KIT-08323				ASSY DESCRIPTION: 800RPM HIGHER POWER DRIVE KIT 2018 & ON			
ITEM	PART NO	DESCRIPTION	QTY	ITEM	PART NO	DESCRIPTION	QTY
1	GEA-0183	GEARBOX	1				
2	OIL-0005	GEARBOX OIL	1.75L				
3	PUM090570	TANDEM PUMP	1				
4		*NOW SEE HEAD DRIVE KIT*					
5		*NOW SEE HEAD DRIVE KIT*					
6	590475 03	TRANSFER 800RPM	1				
7	804208 01	GEARBOX MOUNTING PLATE	1				
8	BLTA12290	BOLT	4				
9	WSH-0018	WASHER	8				
10	NUT-0269	NYLOC NUT	4				
11	804647 01	RETAINING RING	1				
12	HSS-0092	SETSCREW	2				
13	NUT-0260	NYLOC NUT	2				
14	WSH-0009	WASHER	4				
15	HSS-0238	SETSCREW	4				
16	PTO-00903	PTO CONE	1				
17	800407 01	SPACER-GEARBOX MOUNT.	4				
18	WSH-0065	SPRING WASHER	4				
19	PTO-37000	PTO SHAFT 2019 & ON	1				
20	HSSA14200	SETSCREW	2				
21	WSHA15141	SPRING WASHER	2				

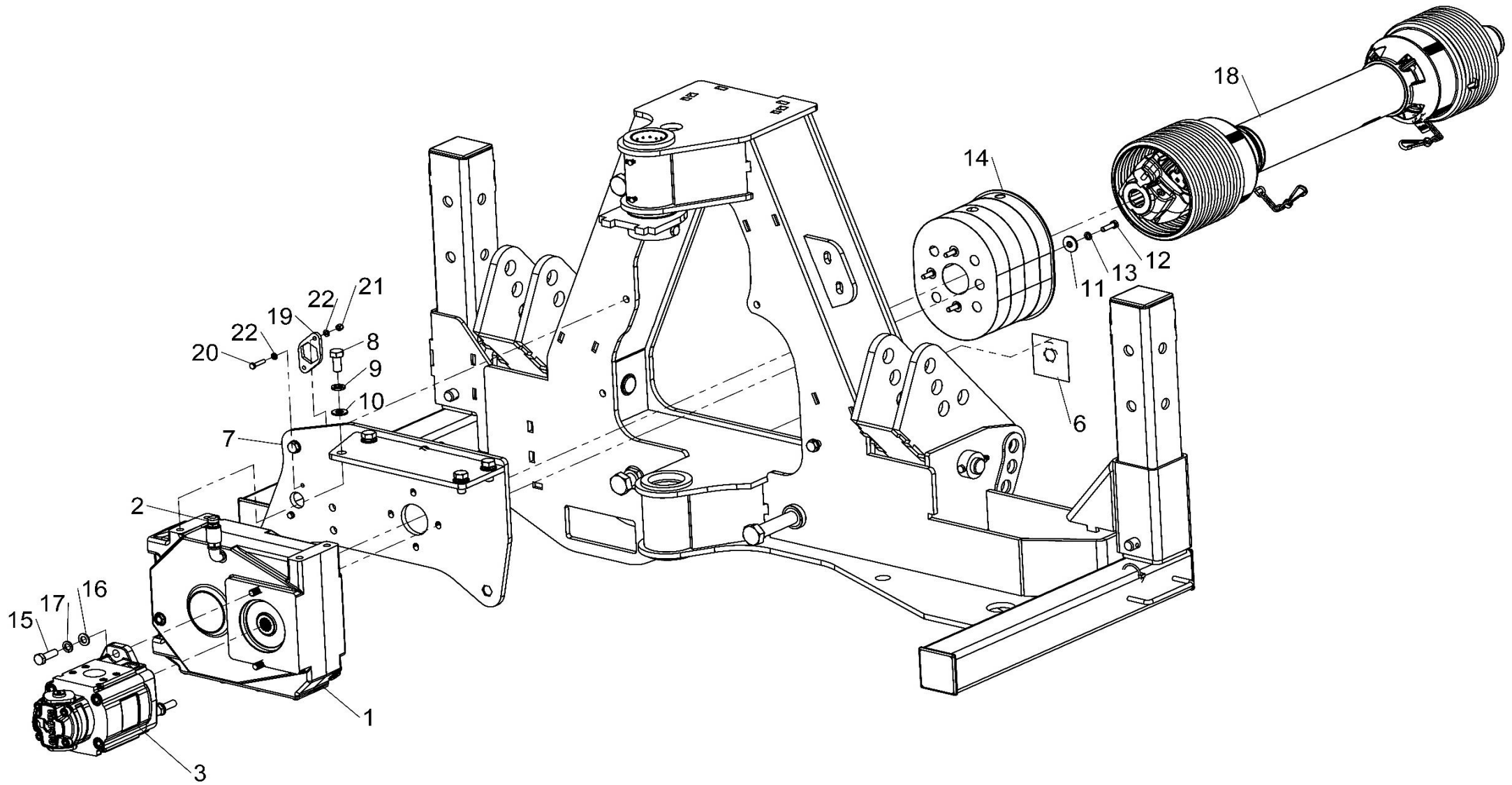


KIT-08321
KIT-08323



Shelbourne Reynolds Engineering Limited

ASSY NUMBER: KIT-08341				ASSY DESCRIPTION: 540RPM HIGHER POWER DRIVE KIT 2018 & ON			
ITEM	PART NO	DESCRIPTION	QTY	ITEM	PART NO	DESCRIPTION	QTY
1	GEA-0187	GEARBOX	1				
2	OIL-	GEARBOX OIL	2.4L<<				
3	PUM090570	TANDEM PUMP	1				
4							
5							
6	590475 01	TRANSFER 540RPM	1				
7	805589 01	GEARBOX MOUNT	1				
8	HSSA14200	SETSCREW	4				
9	WSHA15141	SPRING WASHER	4				
10	WSH-0021	WASHER	4				
11	805597 01	SPACER	4				
12	HSS-0150	SETSCREW	4				
13	WSH-0058	SPRING WASHER	4				
14	PTO-00903	PTO GUARD	1				
15	HSS-0250	SETSCREW	2				
16	WSH-0018	WASHER	2				
17	WSH-0065	WASHER	2				
18	PTO-37000	PTO SHAFT 2019 & ON	1				
19	804647 01	RETAINING RING	1				
20	HSS-0092	SET SCREW	2				
21	NUT-0260	NYLOC NUT	2				
22	WSH-0009	PLAIN WASHER	4				



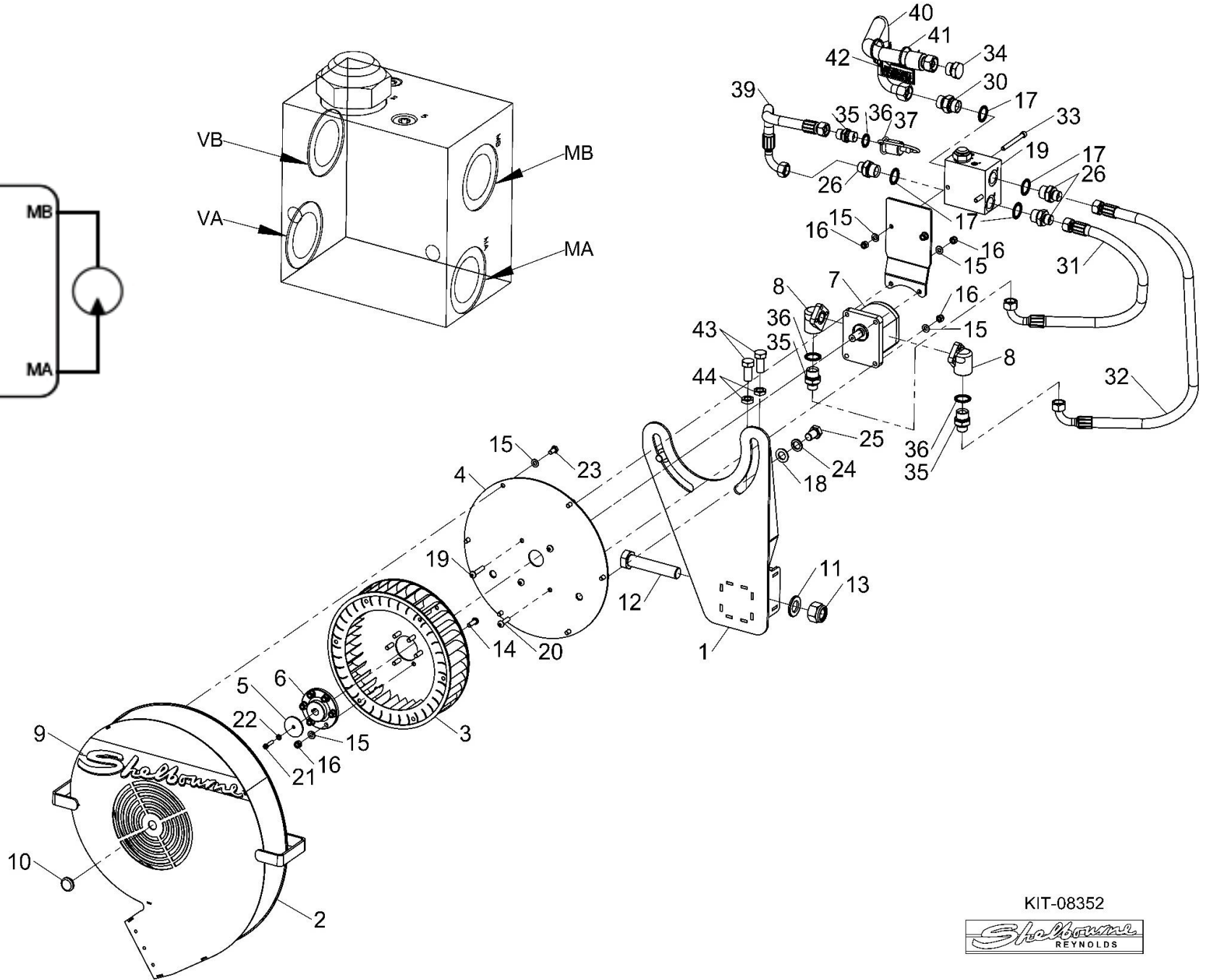
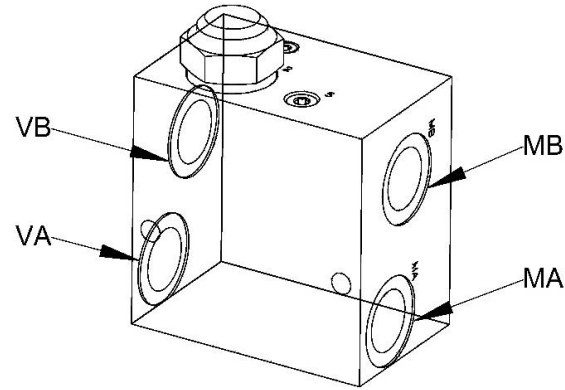
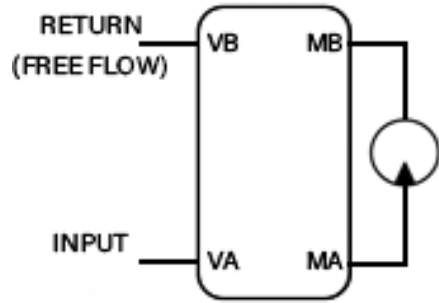
KIT-08341



Shelbourne Reynolds Engineering Limited

ASSY NUMBER: KIT-08352				ASSY DESCRIPTION: SUB ASSY TRIMMER BLOWER KIT			
ITEM	PART NO	DESCRIPTION	QTY	ITEM	PART NO	DESCRIPTION	QTY
1	802758 01	DEBRIS BLOWER PIVOTING MT W/A	1	41	TIE-0004	TIE WRAPS	2
2	802607 01	FAN HOUSING W/A	1	42	612230 01	HYD RETURN LABEL	1
3	802778 01	IMPELLER W/A	1	43	HSS-0315	BOLT	2
4	803109 01	MOTOR MTG PLATE W/A	1	44	NUT-0380	HALF NUT (M16)	2
5	802779 01	TOP WASHER IMPELLER	1				
6	803107 01	CENTRE HUB	1				
7	MOTH01100	BI DIRECTIONAL HYD MOTOR	1				
8	PUM990430	FLANGE	2				
9	802699 01	SHELBOURNE TRANSFER	1				
10	BPG-00200	PLASTIC BODY PLUG	1				
11	WSH-0036	WASHER	1		KIT-08352 HYD	HYDRAULICS FOR BLOWER KIT	
12	HSSA24620	SETSCREW	1				
13	NUT-0275	NYLOC NUT	1				
14	SCBA08172	BUTT SCREW	6				
15	WSH-0012	WASHER	19				
16	NUT-0263	NYLOC NUT	13				
17	WSH-1020	DOWTY WASHER	4				
18	WSH-0024	WASHER	2				
19	SCBA08260	BUTT SCREW	2				
20	SCBA08202	BUTT SCREW	2				
21	SCW-0086	CAP HD SCREW	1				
22	WSH-0056	SPRING WASHER	1				
23	HSS-0135	BOLT	6				
24	WSH-0070	SPRING WASHER	2				
25	HSS-0312	SETSCREW	2				
26	HMA-0060	M/M ADAPTER	3				
27							
28							
29	HVB-19160	MOTOR VALVE	1				
30	HMA-0074	M/M ADAPTER	1				
31	HHBF04705	HYD HOSE	1				
32	HHBF05505	HYD HOSE	1				
33	SCCA08503	CAP SOCKET HD SCREW	2				
34	FITC00311	BLANKING PLUG	1				
35	HMA-0067	M/M ADAPTER	3				
36	WSH-1015	DOWTY WASHER	3				
37	COU-0162	QUICK RELEASE COUPLING	1				
38	805691 01	SUPPORT BRACKET	1				
39	HHBF27505	HOSE ASSY P - VA	1				
40	HHBH26805	HOSE ASSY VB-TANK	1				

Shelbourne Reynolds Engineering Limited

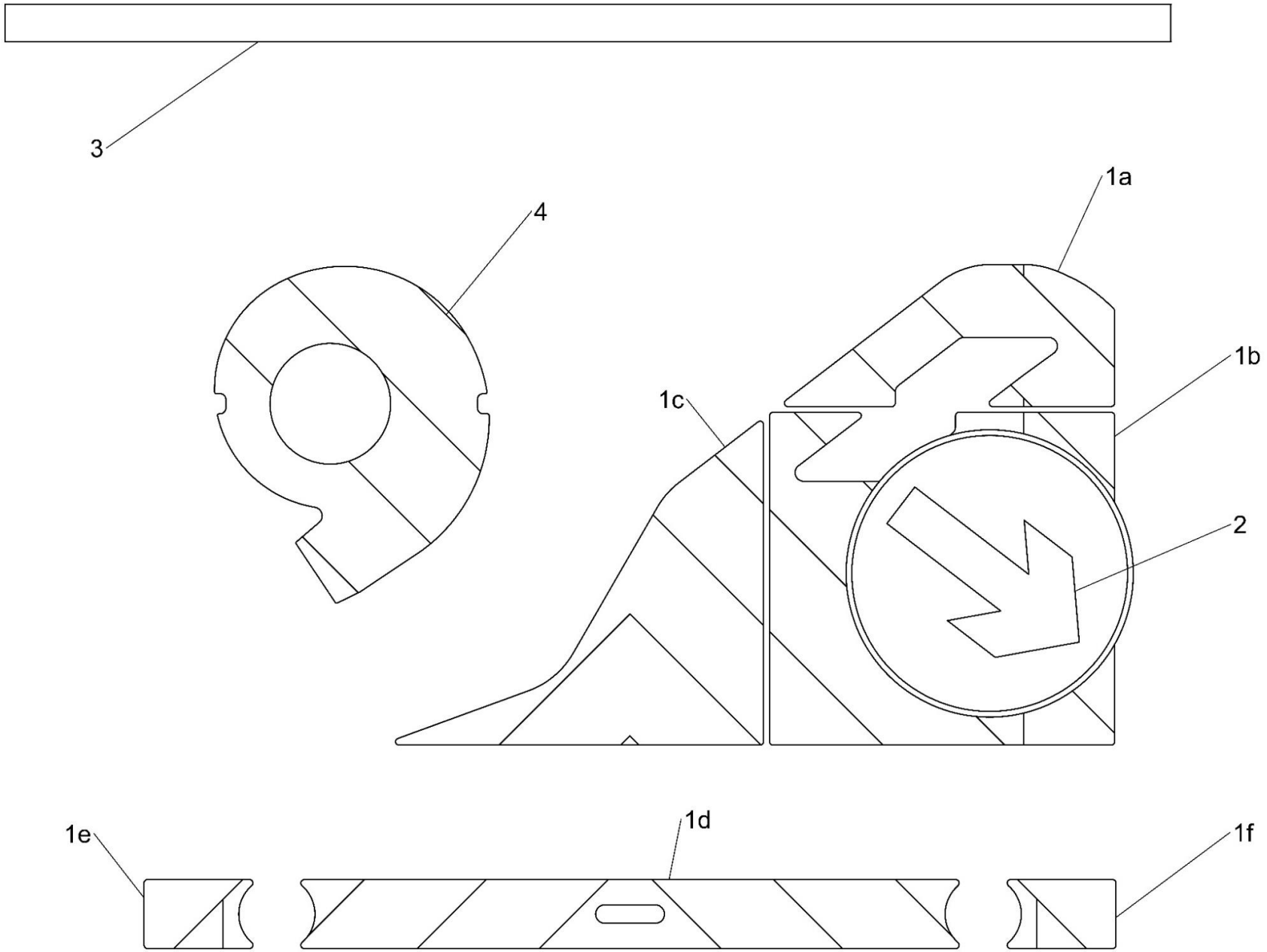


KIT-08352



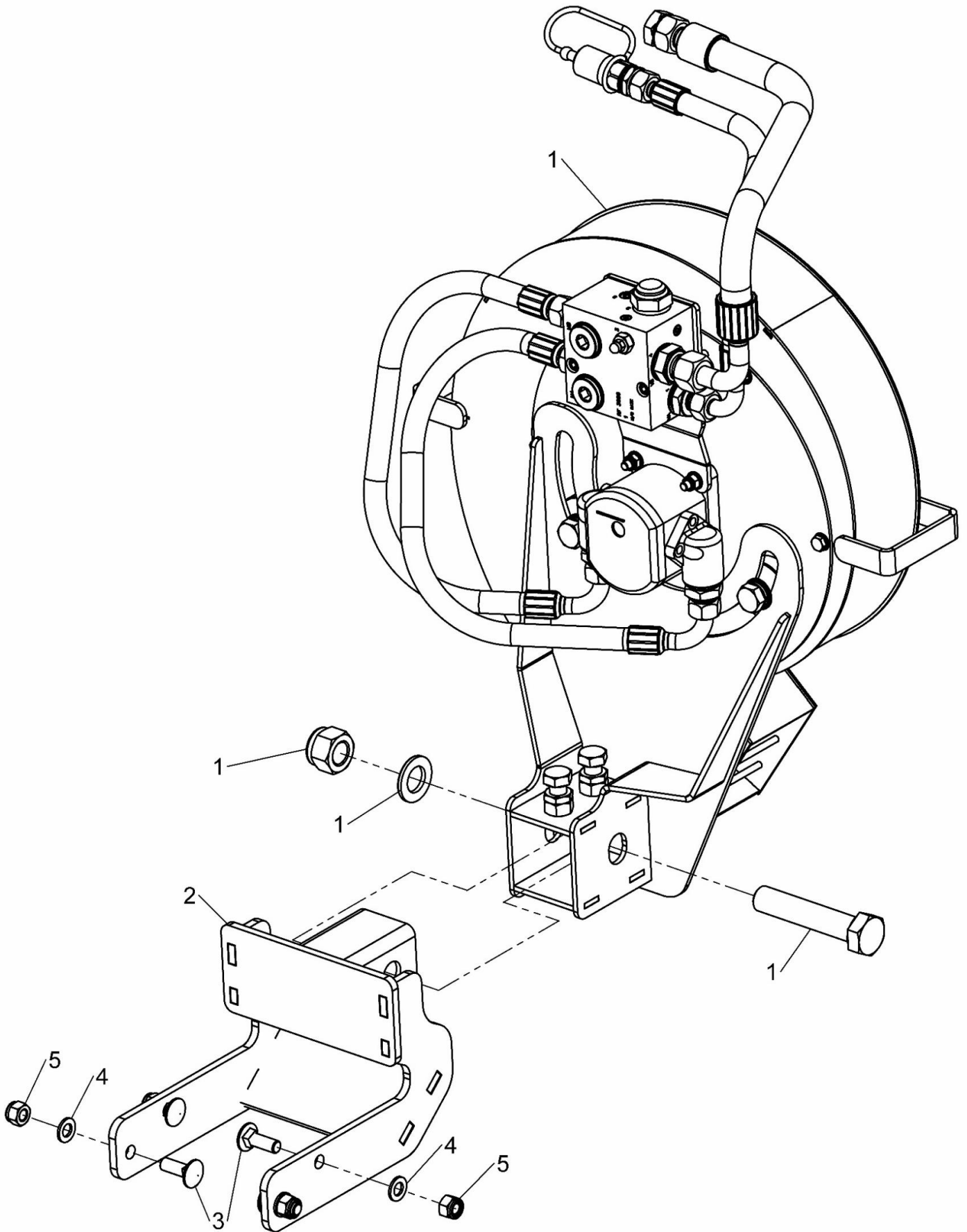
Shelbourne Reynolds Engineering Limited

ASSY NUMBER: KIT-08383				ASSY DESCRIPTION: HIGHWAYS KIT (800 SERIES)			
ITEM	PART NO	DESCRIPTION	QTY	ITEM	PART NO	DESCRIPTION	QTY
1	806054 01	800 SERIES HIGHWAYS KIT	1			KIT-08383A - HIGHWAYS KIT WITH DEBRIS BLOWER	
1a	806045 01	LID TRANSFER					
1b	806046 01	TANK TRANSFER					
1c	806047 01	REAR GUARD TRANSFER					
1d	806049 01	MID LIGHTBOARD TRANSFER					
1e	806051 01	LH LIGHTBOARD TRANSFER					
1f	806050 01	RH LIGHTBOARD TRANSFER					
2	801977 01	MAGNETIC ARROW 500mm	1				
3	802084 01	FLUORESCENT BOOM TRANSFER	2				
4	806048 01	DEBRIS BLOWER TRANSFER (KIT-08383A ONLY)	1				



Shelbourne Reynolds Engineering Limited

ASSY NUMBER: KIT-08401				ASSY DESCRIPTION: HD TRIMMER BLOWER KIT For 6000, 7000, HD800 & 8000			
ITEM	PART NO	DESCRIPTION	QTY	ITEM	PART NO	DESCRIPTION	QTY
1	KIT-08352	SUB ASSY TRIMMER BLOWER KIT	1				
2	804563 01	LIGHTING BOARD MTG W/A	1				
3	BLTF12233	COACHBOLT	4				
4	WSH-0018	WASHER	4				
5	NUT-0269	NYLOC NUT	4				

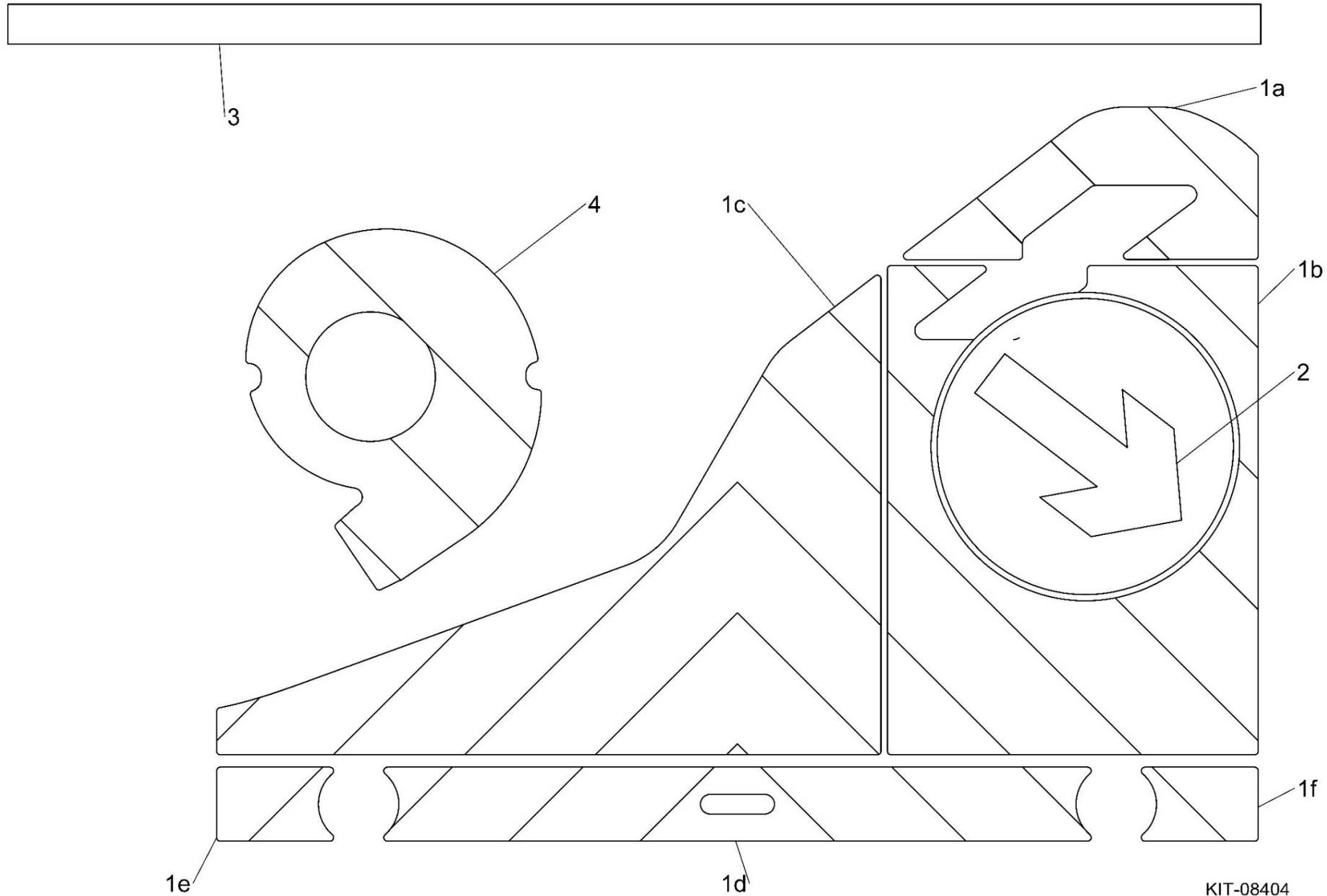


KIT-08401



Shelbourne Reynolds Engineering Limited

ASSY NUMBER: KIT-08404				ASSY DESCRIPTION: HD800 TRIMMER HIGHWAYS KIT			
ITEM	PART NO	DESCRIPTION	QTY	ITEM	PART NO	DESCRIPTION	QTY
1	806095 01	HIGHWAYS TRANSFER KIT	1				
1a	806102 01	LID TRANSFER					
1b	806098 01	TANK TRANSFER					
1c	806104 01	REAR GUARD TRANSFER					
1d	806099 01	MID LIGHTBOARD TRANSFER					
1e	806103 01	LH LIGHTBOARD TRANSFER			KIT-08404	HD800 TRIMMER HIGHWAYS KIT	
1f	806101 01	RH LIGHTBOARD TRANSFER			KIT-08404A	HD800 TRIMMER HIGHWAYS KIT WITH DEBRIS BLOWER	
2	801977 01	MAGNETIC ARROW	1				
3	802084 01	FLUORESCENT BOOM TRANSFER	2				
4	806105 01	DEBRIS BLOWER HIGHWAYS	1				

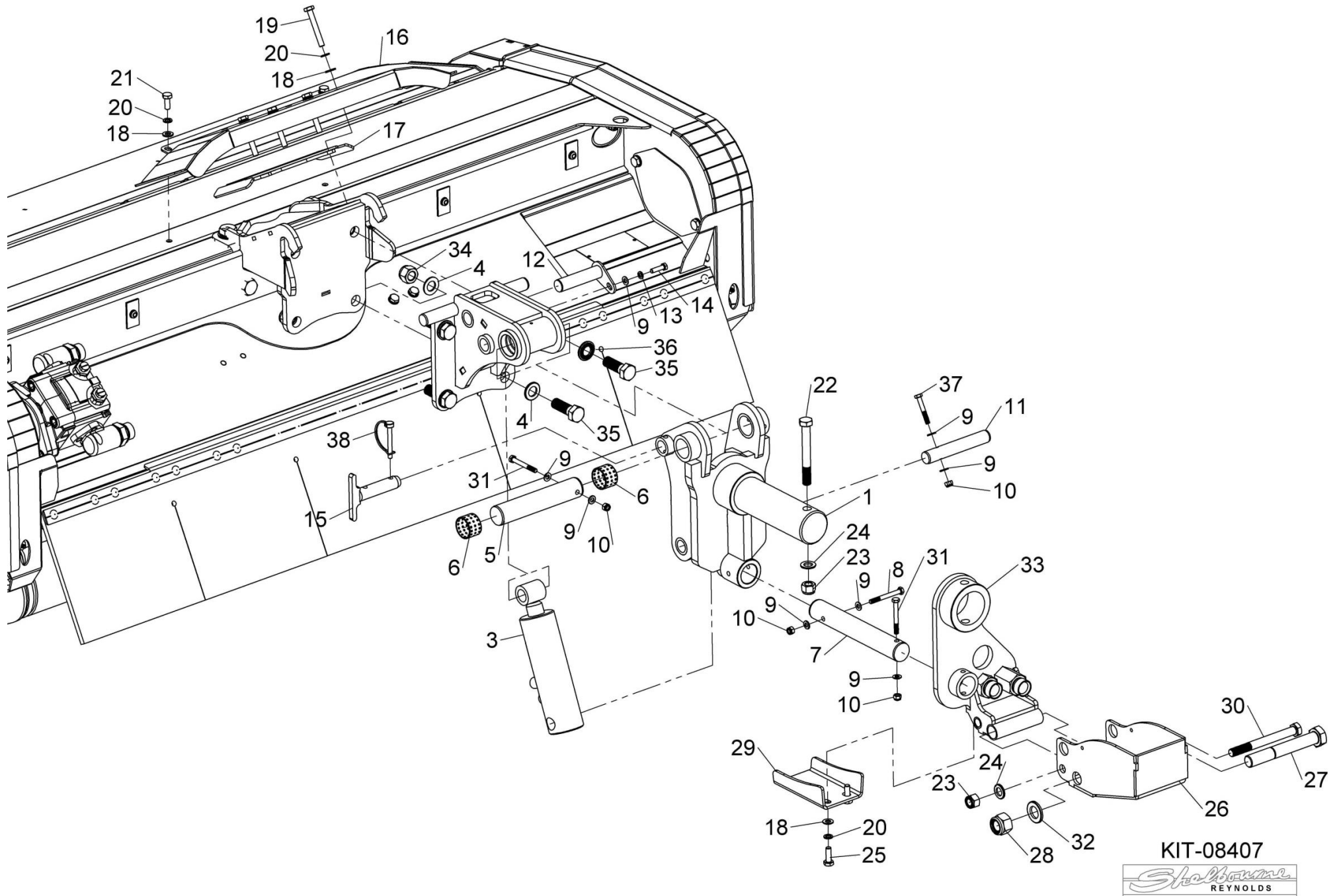


KIT-08404



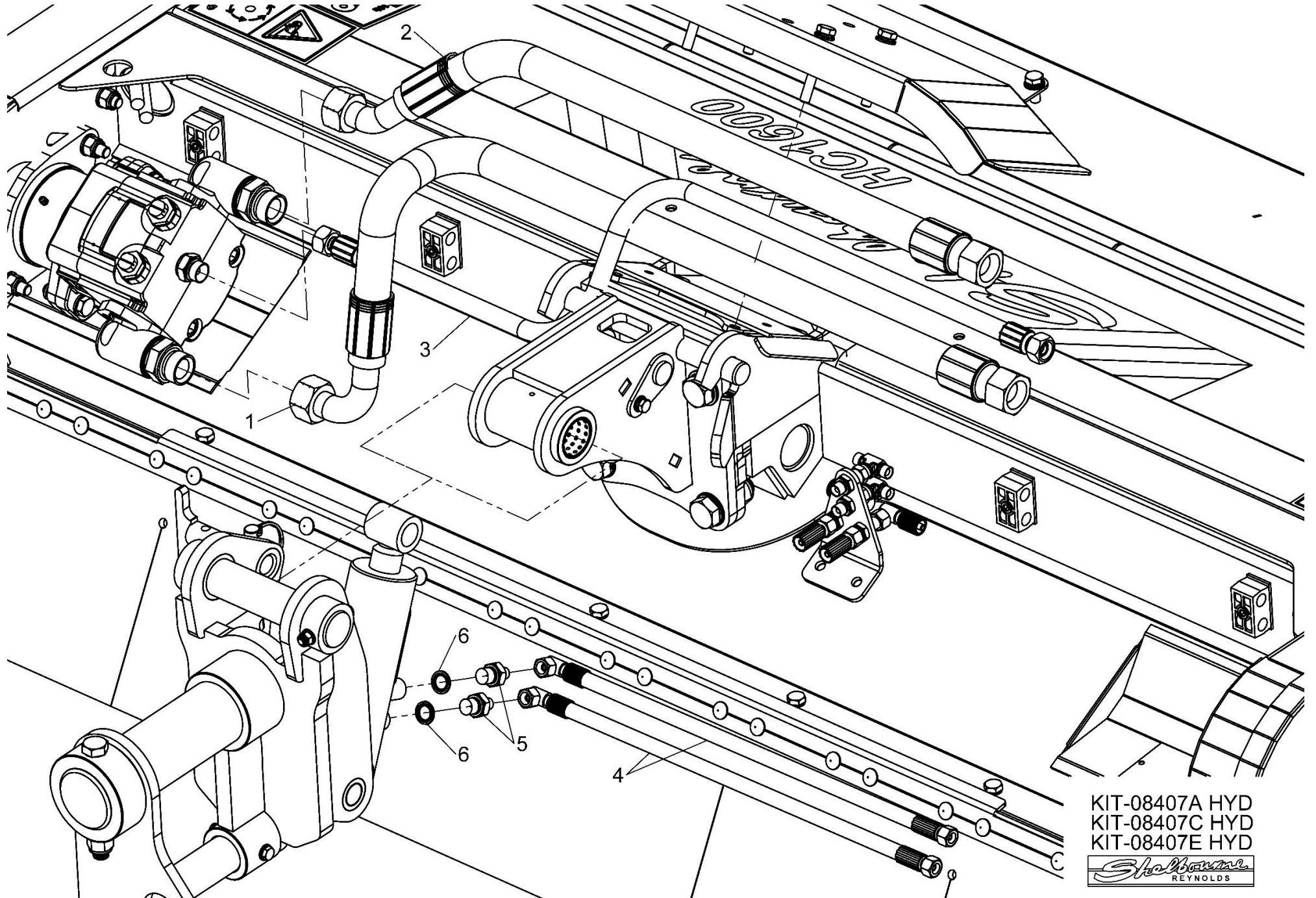
Shelbourne Reynolds Engineering Limited

ASSY NUMBER: KIT-08407				ASSY DESCRIPTION: HC NARROW LANE BRACKET FOR HD800/8000			
ITEM	PART NO	DESCRIPTION	QTY	ITEM	PART NO	DESCRIPTION	QTY
1	806324 01	NARROW LANE MOUNT W/A	1				
2	806389 01	NARROW HEAD MOUNT W/A	1				
3	806326 01	RAM	1				
4	WSH-0030	WASHER	4				
5	802839 10	PIN	1				
6	BSH004056	BUSH	2				
7	805925 01	PIN	1				
8	BLTA08470	BOLT	1				
9	WSH-0012	WASHER	8				
10	NUT-0263	NYLOC NUT	4				
11	800987 07	PIN	1				
12	806338 01	LOCKING PIN W/A	1				
13	WSH-0058	SPRING WASHER	1				
14	HSS-0150	BOLT	1				
15	805388 01	LOCKING PIN W/A	1				
16	806394 01	HOSE GUARD W/A	1				
17	806391 01	HOSE GUIDE W/A	1				
18	WSH-0015	WASHER	8				
19	BLTA10470	BOLT	4				
20	WSH-0061	SPRING WASHER	8				
21	HSS-0191	BOLT	2				
22	BLT-2334	BOLT	1				
23	NUT-0271	NYLOC NUT	2				
24	WSH-0024	WASHER	2				
25	HSS-0194	BOLT	2				
26	806109 01	PIVOT SHOE FOOT	1				
27	BLTA24760	BOLT	1				
28	NUT-0275	NYLOC NUT	1				
29	803629 01	GUARD PLATE	1				
30	BLTA16740	BOLT	1				
31	BLTA08440	BOLT	2				
32	WSH-0036	WASHER	1				
33	803630 01	HYDRAULIC GUARD MOUNT W/A	1				
34	NUTA02200	NYLOC NUT	2				
35	BLT-2366	BOLT	4				
36	WSHA30201	LOCKWASHER	6				
37	BLTA08350	BOLT	1				
38	PIN-1720	SNAPPER PIN	1				
39	HSSA20290	BOLT	4				



Shelbourne Reynolds Engineering Limited

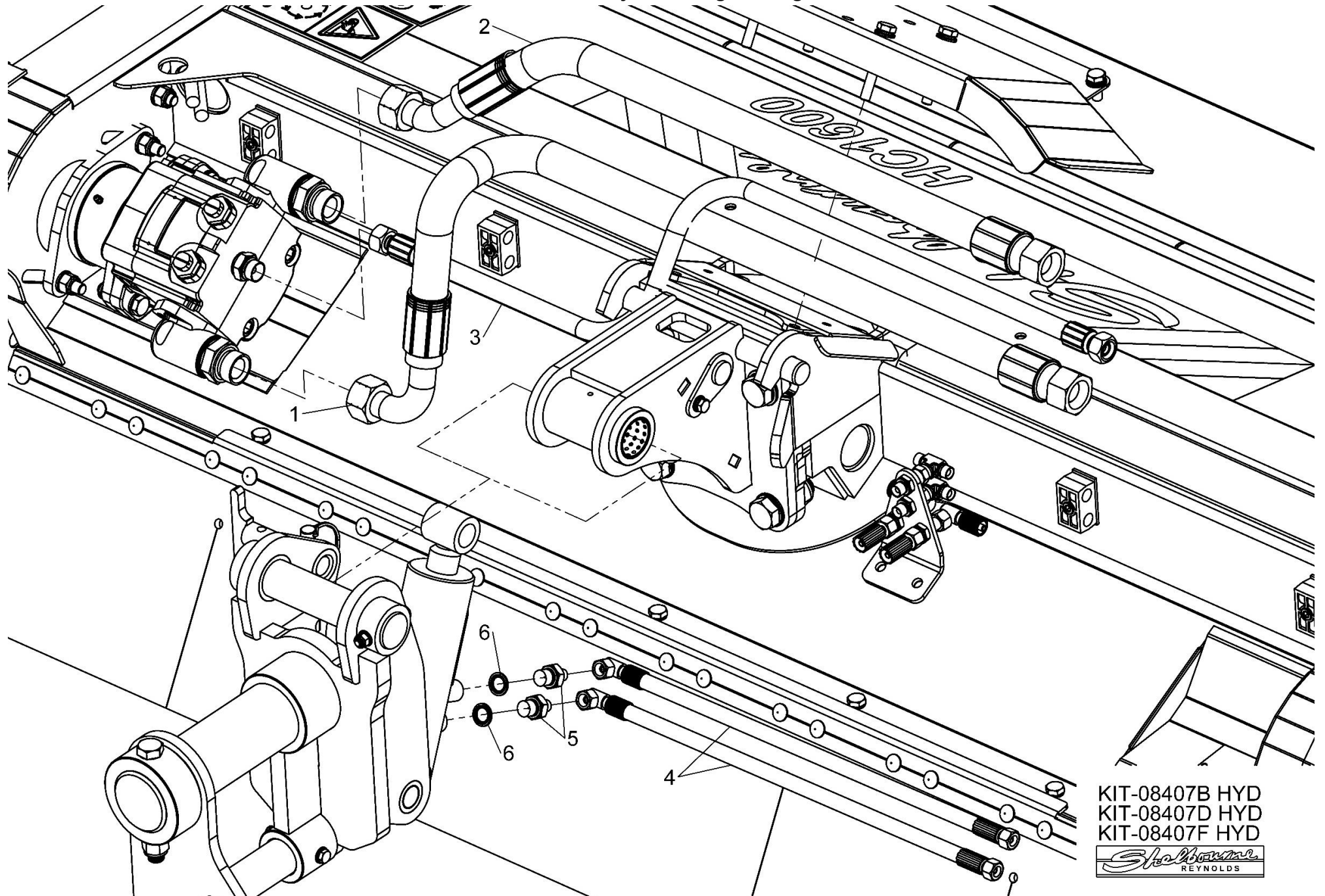
ASSY NUMBER: KIT-08407A HYD				ASSY DESCRIPTION: HC1200 HEAD MOTOR HYD KIT (NLB BRKT FOR 6000, 7060T, 7056, 800 & 8000 Tele)			
ITEM	PART NO	DESCRIPTION	QTY	ITEM	PART NO	DESCRIPTION	QTY
1	HHBI17905	HYD HOSE ASSY	1				
2	HHDI16705	HYD HOSE ASSY	1				
3	HHBF30005	HYD HOSE ASSY	1				
4	HHCC17505	HYD HOSE ASSY	2				
5	HAPAA0303	RESTRICTOR FITT	2				
6	WSH-1005	DOWTY WASHER	2				



KIT-08407A HYD
KIT-08407C HYD
KIT-08407E HYD
Shelbourne
REYNOLDS

Shelbourne Reynolds Engineering Limited

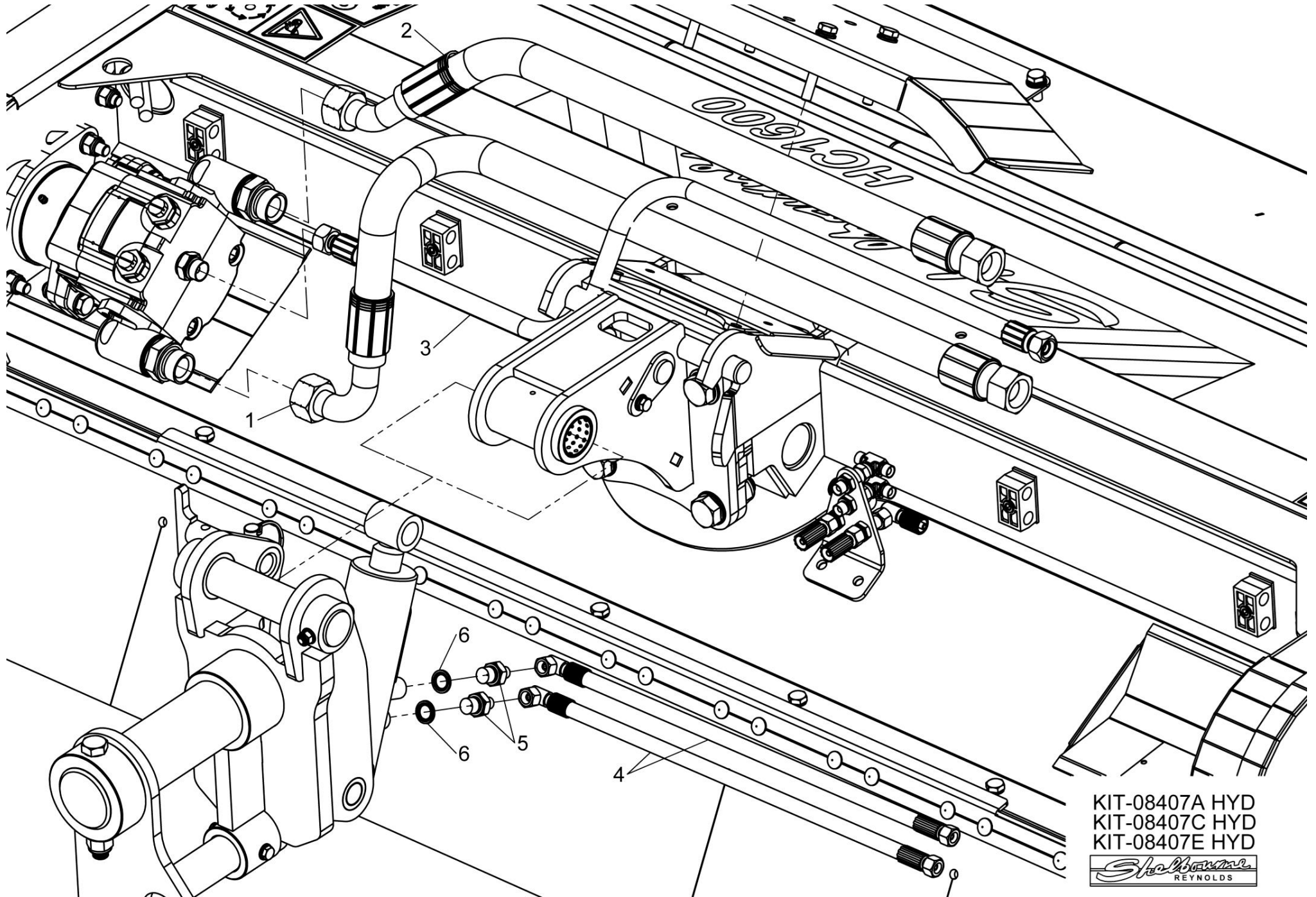
ASSY NUMBER: KIT-08407B HYD				ASSY DESCRIPTION: HC1600 HEAD MOTOR HYD KIT (NL BRKT FOR 7060T, 7056, 800 & 8000 Tele)			
ITEM	PART NO	DESCRIPTION	QTY	ITEM	PART NO	DESCRIPTION	QTY
1	HHDI21005	HYD HOSE ASSY	1				
2	HHAI21205	HYD HOSE ASSY	1				
3	HHAF35605	HYD HOSE ASSY	1				
4	HHCC20005	HYD HOSE ASSY	2				
5	HAPAA0303	RESTRICTOR FITT	2				
6	WSH-1005	DOWTY WASHER	2				



KIT-08407B HYD
KIT-08407D HYD
KIT-08407F HYD
Shelbourne
REYNOLDS

Shelbourne Reynolds Engineering Limited

ASSY NUMBER: KIT-08407C HYD				ASSY DESCRIPTION: HC1200 HEAD MOTOR HYD KIT (NLB FOR 800 & 8000 VFRT)			
ITEM	PART NO	DESCRIPTION	QTY	ITEM	PART NO	DESCRIPTION	QTY
1	HHBI17905	HYD HOSE ASSY	1				
2	HHDI16705	HYD HOSE ASSY	1				
3	HHBF37605	HYD HOSE ASSY	1				
4	HHCC23505	HYD HOSE ASSY	2				
5	HAPAA0303	RESTRICTOR FITT	2				
6	WSH-1005	DOWTY WASHER	2				

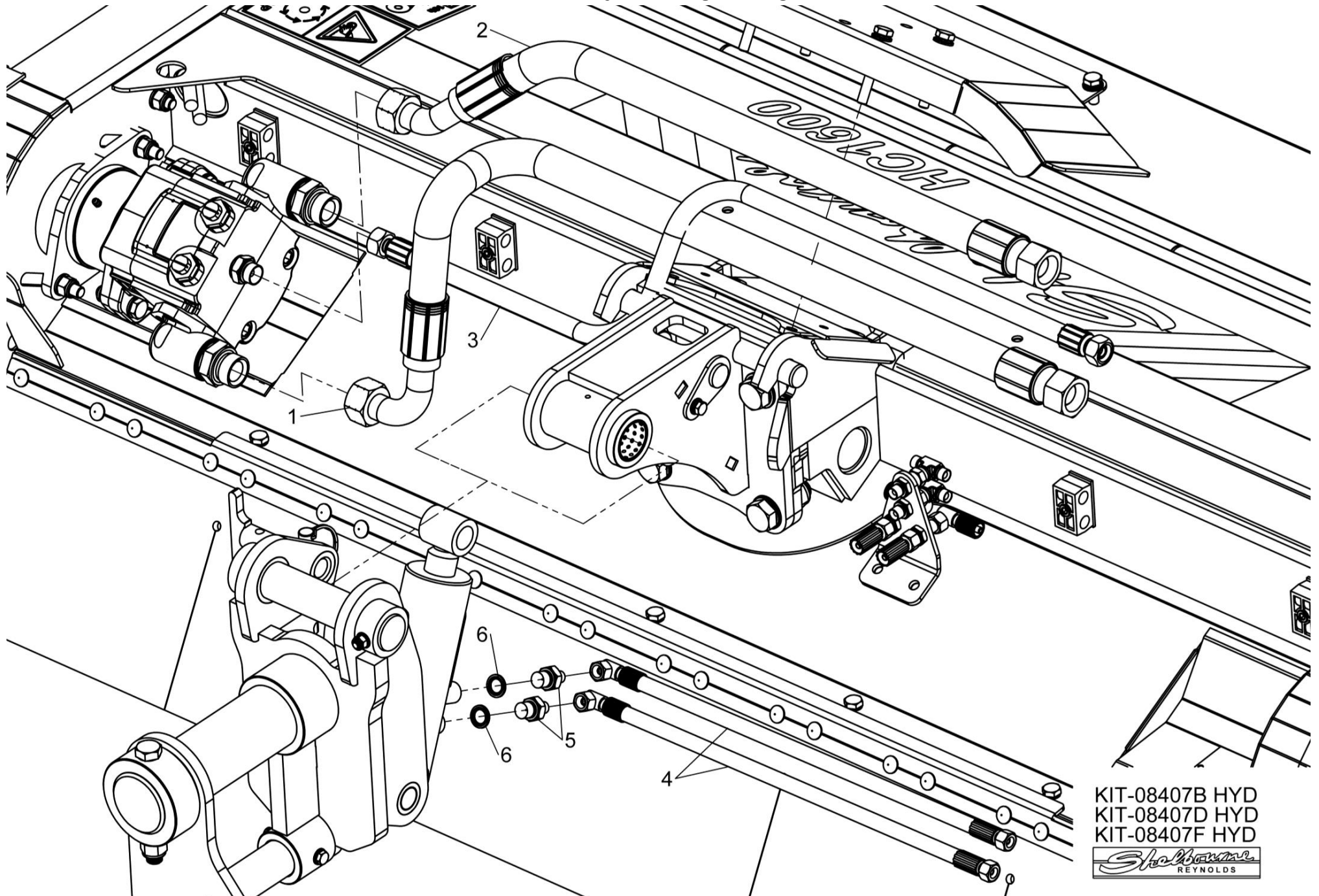


KIT-08407A HYD
KIT-08407C HYD
KIT-08407E HYD



Shelbourne Reynolds Engineering Limited

ASSY NUMBER: KIT-08407D HYD				ASSY DESCRIPTION: HC1600 HEAD MOTOR HYD KIT (NLB FOR 800 & 8000 VFRT)			
ITEM	PART NO	DESCRIPTION	QTY	ITEM	PART NO	DESCRIPTION	QTY
1	HHDI21005	HYD HOSE ASSY	1				
2	HHAI21205	HYD HOSE ASSY	1				
3	HHAF40605	HYD HOSE ASSY	1				
4	HHCC25005	HYD HOSE ASSY	2				
5	HAPAA0303	RESTRICTOR FITTING	2				
6	WSH-1005	DOWTY WASHER	2				

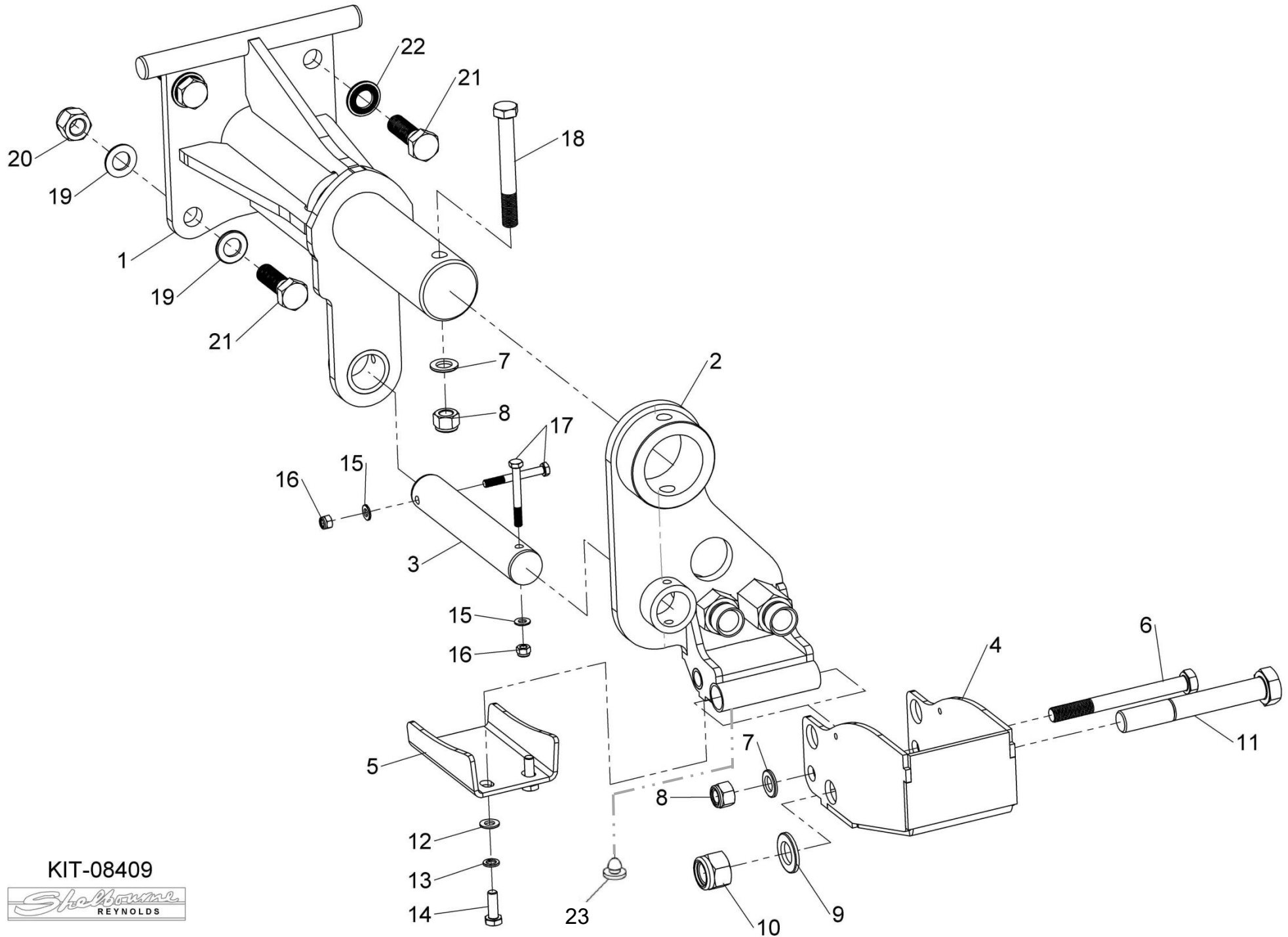


KIT-08407B HYD
KIT-08407D HYD
KIT-08407F HYD



Shelbourne Reynolds Engineering Limited

ASSY NUMBER: KIT-08409				ASSY DESCRIPTION: HOOK MOUNTING KIT (HD800/8000)			
ITEM	PART NO	DESCRIPTION	QTY	ITEM	PART NO	DESCRIPTION	QTY
1	806345 01	HEAD MOUNT W/A	1				
2	803630 01	HYDRAULIC GUARD MOUNT W/A	1				
3	802839 08	PIN	1				
4	806109 01	HC PIVOT SHOE FOOT	1		KIT-08409 -	HC HOOK MTG KIT	
OR	803628 01	GP PIVOT SHOE FOOT W/A	1		KIT-08409A -	GP HOOK MTG KIT	
5	803629 01	GUARD PLATE	1				
6	BLTA16740	BOLT	1				
7	WSH-0024	WASHER	2				
8	NUT-0271	NYLOC NUT	2				
9	WSH-0036	WASHER	1				
10	NUT-0275	NYLOC NUT	1				
11	BLTA24760	BOLT	1				
12	WSH-0015	WASHER	2				
13	WSH-0061	SPRING WASHER	2				
14	HSS-0194	BOLT	2				
15	WSH-0012	WASHER	2				
16	NUT-0263	NYLOC NUT	2				
17	BLTA08440	BOLT	2				
18	BLT-2334	BOLT	1				
19	WSH-0030	WASHER	4				
20	NUTA02200	NYLOC NUT	2				
21	BLT-2366	BOLT	4				
22	WSHA30201	LOCKWASHER	2				
23	RUB-0330	RUBBER GROMMET	2				

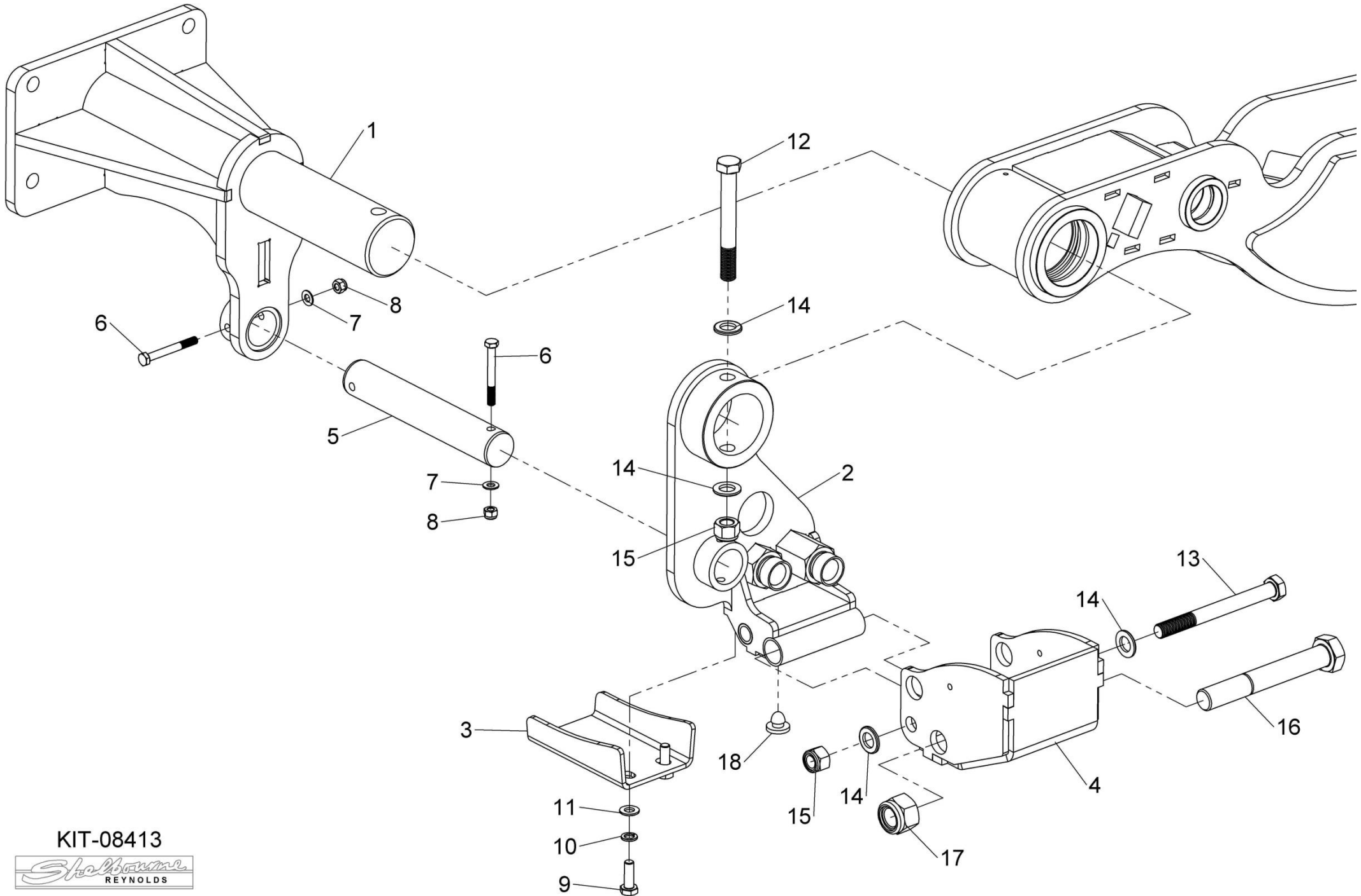


KIT-08409



Shelbourne Reynolds Engineering Limited

ASSY NUMBER: KIT-08413				ASSY DESCRIPTION: HD HEAD PIVOT SHOE KIT (HD800/8000)			
ITEM	PART NO	DESCRIPTION	QTY	ITEM	PART NO	DESCRIPTION	QTY
1	803648 01	HEAD MOUNT	1				
2	803630 01	HYDRAULIC MOUNT	1				
3	803629 01	GUARD PLATE	1				
4	803628 01	PIVOT SHOE FOOT	1				
5	802839 08	PIN	1				
6	BLTA08440	BOLT	2				
7	WSH-0012	WASHER	2				
8	NUT-0263	NYLOC NUT	2				
9	HSS-0194	BOLT	2				
10	WSH-0061	SPRING WASHER	2				
11	WSH-0015	WASHER	2				
12	BLT-2334	BOLT	1				
13	BLTA16740	BOLT	1				
14	WSH-0024	WASHER	4				
15	NUT-0271	NYLOC NUT	2				
16	BLTA24760	BOLT	1				
17	NUT-0275	NYLOC NUT	1				
18	RUB-0330	RUBBER GROMMETS	2				

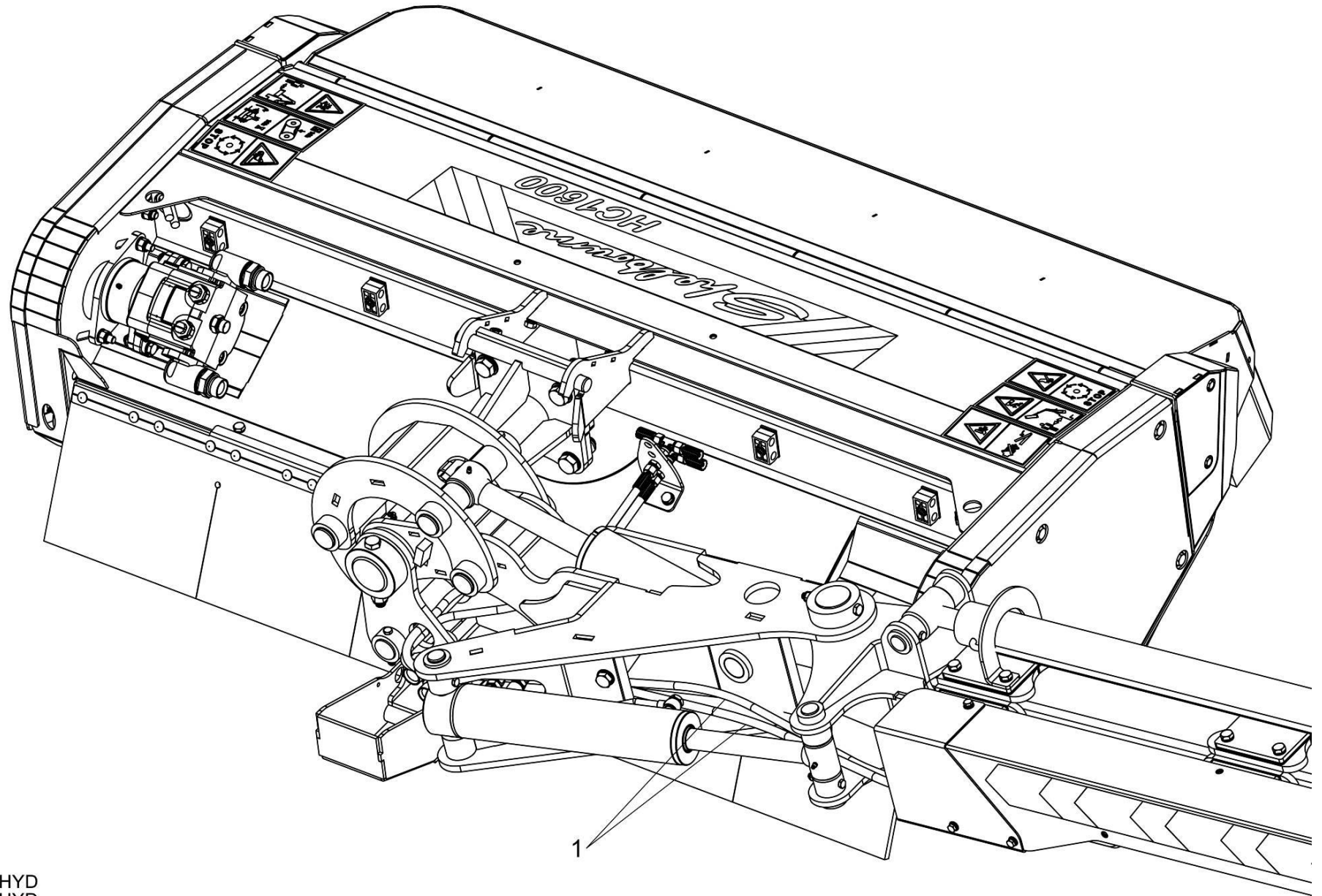


KIT-08413



Shelbourne Reynolds Engineering Limited

ASSY NUMBER: KIT-08448E HYD				ASSY DESCRIPTION: HEAD LINK HOSE KIT(HC & GP HEAD FOR 6 / 7 /8000 TELE)			
ITEM	PART NO	DESCRIPTION	QTY	ITEM	PART NO	DESCRIPTION	QTY
1	HHAC17505	HYD HOSE ASSY	2				

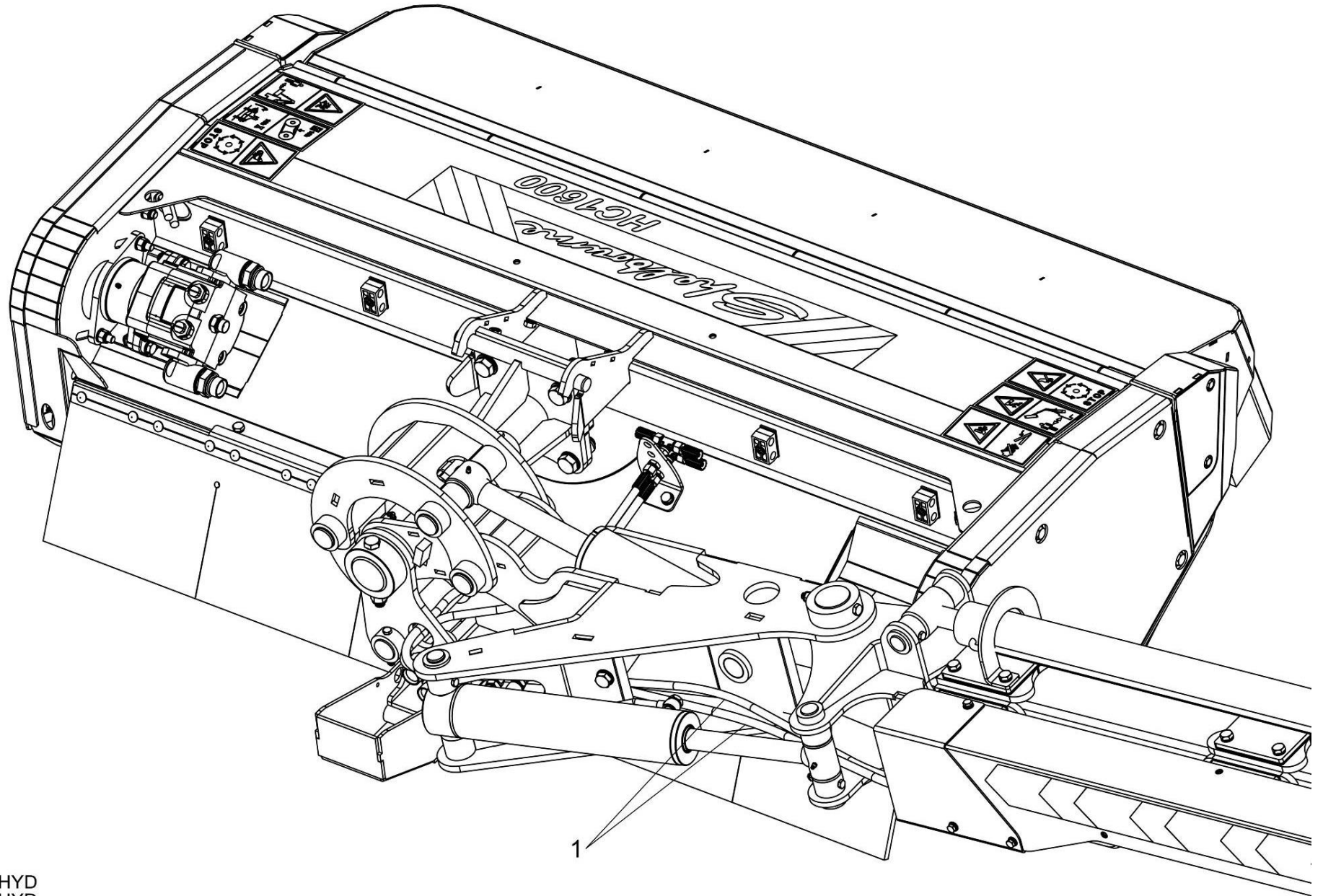


KIT-08448E HYD
KIT-08448F HYD



Shelbourne Reynolds Engineering Limited

ASSY NUMBER: KIT-08448F HYD				ASSY DESCRIPTION: HEAD LINK HOSE KIT(HC HEAD FOR 800 & 8000 VERT)			
ITEM	PART NO	DESCRIPTION	QTY	ITEM	PART NO	DESCRIPTION	QTY
1	HHAC25105	HYD HOSE ASSY	2				

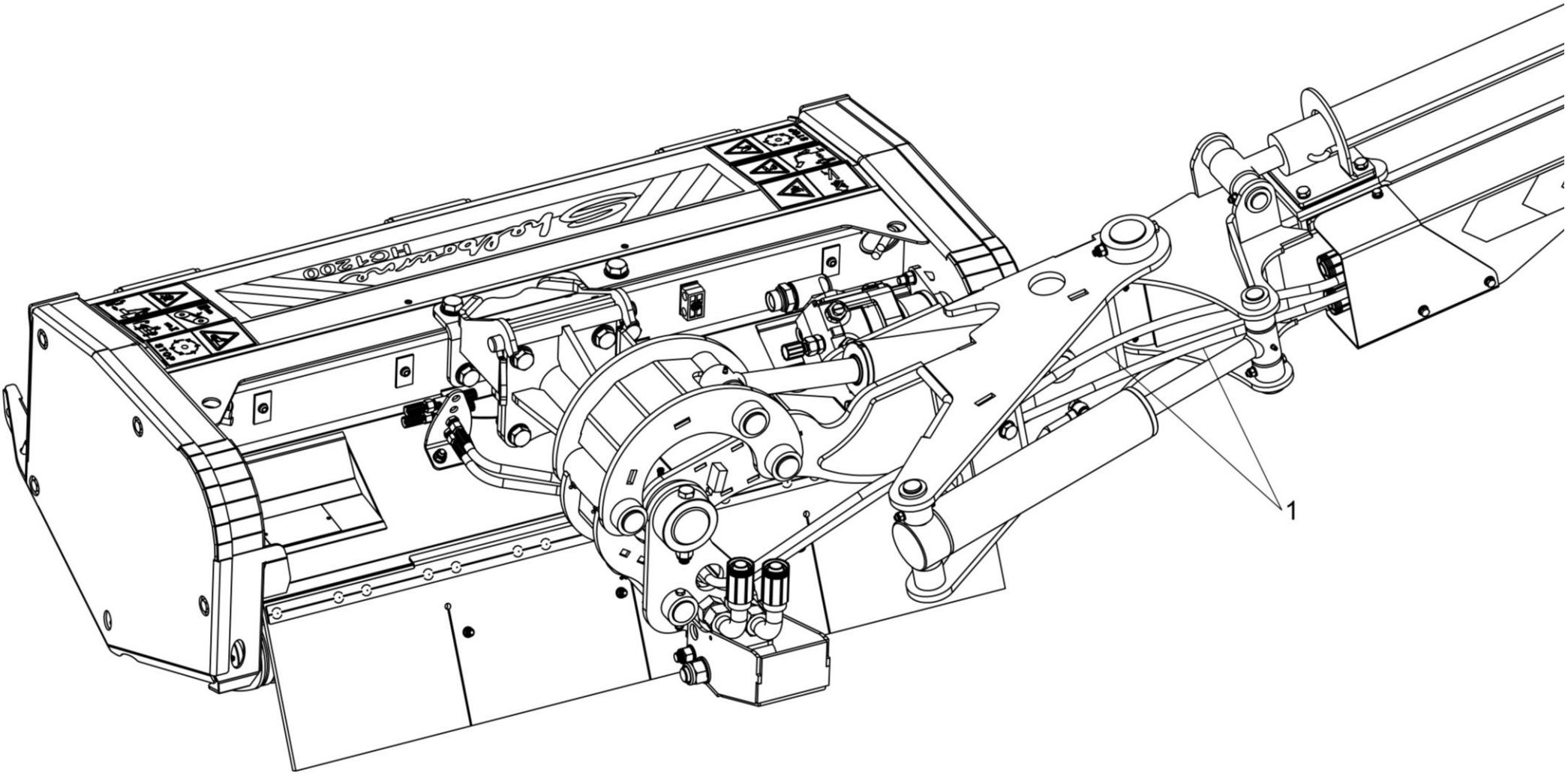


KIT-08448E HYD
KIT-08448F HYD



Shelbourne Reynolds Engineering Limited

ASSY NUMBER: KIT-08448G HYD				ASSY DESCRIPTION: HEAD LINK HOSE KIT (RIGHT HAND HC HEAD FOR 800 & 8000 VFRT)			
ITEM	PART NO	DESCRIPTION	QTY	ITEM	PART NO	DESCRIPTION	QTY
1	HHAC26205	HYD HOSE ASSY	2				

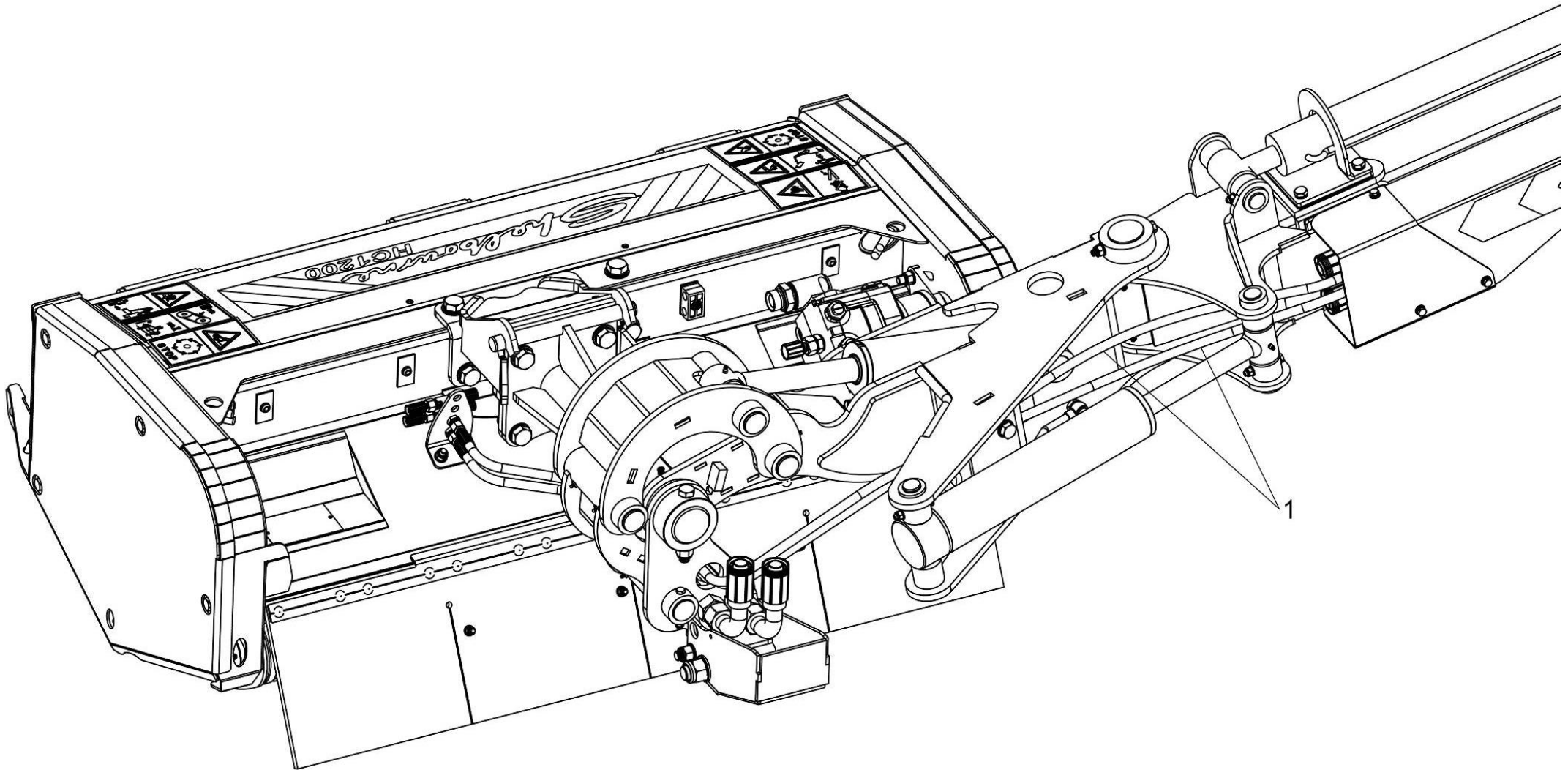


KIT-08448G HYD
KIT-08448H HYD



Shelbourne Reynolds Engineering Limited

ASSY NUMBER: KIT-08448H HYD				ASSY DESCRIPTION: HEAD LINK HOSE KIT(7062 VFR & RIGHT HAND HC HEAD FOR 8000 TELE)			
ITEM	PART NO	DESCRIPTION	QTY	ITEM	PART NO	DESCRIPTION	QTY
1	HHAC21005	HYD HOSE ASSY	2				



KIT-08448G HYD
KIT-08448H HYD



Shelbourne Reynolds Engineering Limited

ASSY NUMBER: GEA-0183				ASSY DESCRIPTION: GEARBOX			
ITEM	PART NO	DESCRIPTION	QTY	ITEM	PART NO	DESCRIPTION	QTY
1	GEA-1603	END CAP	1				
2	BRG-13582	BEARING	2				
3	SEAZ02800	OIL PLUG	1				
4	GEA-1605	SHAFT	1				
5	SEAB03520	RADIAL SHAFT SEAL	1				
6	SEAZ09000	CORE PLUG SEAL	1				
7	BRG-6000	BEARING	2				
8	GEA-1606	GEAR	1				
9	GEA-1518	OIL SEAL	1				
10	GEA-1705	DRAIN PLUG SEAL	3				
11	FITD00007	BULLS EYE LEVEL GAUGE	1				
12	GEA-1523	EXTENSION WITH BREATHER	1				
13	GEA-1521	BREATHER	1				
14	OIL-0005	OIL	1.75L				
15	GEA-1525	LID GASKET	1				

