

# Shelbourne

REYNOLDS

## 200, 300 & 400

### PARTS MANUAL



# TRIMMER

Shelbourne Reynolds Engineering Ltd  
Stanton  
Bury St Edmunds  
Suffolk  
IP31 2AR  
England

Telephone: 01359 250415  
Fax: 01359 250464

Stores Direct : 01359 251231  
Stores Direct: 01359 252031

Issue 17      07/11/2023

[www.shelbourne.com](http://www.shelbourne.com)



 YouTube



# ORDERING SPARE PARTS

## IMPORTANT

Your Trimmer is made up of a Machine assembly number (common parts), specific sub assemblies and also customer optional build kits. The machine, sub assemblies and optional kit numbers are listed in the front pages of your Operators manual, part no. MAN-10002.

If you do not have these numbers please contact Shelbourne Reynolds Parts Department direct on (telephone) 01359 251231.

To ensure that you order the correct part from your SRE dealer please use the following procedure.

## **ALWAYS QUOTE THE MACHINE AND SERIAL NUMBERS WHEN ORDERING.**

Refer to the Parts Manuals front page/s, listing the machine assemblies. Select the correct machine assembly number which is printed in the top left corner of the page (starting with 8099\_\_ 01), This machine number can also be taken off the Trimmer identification plate located on the front of the main chassis beam.

On this page you will find the parts listing for the common parts for every configuration of that machine assembly number.

You will find the corresponding drawing by either looking at the facing page or progressing through the manual to the next drawing.

The drawings indicate the components by item numbers, which you will find, are repeated in the left-hand side of your parts listing, and therefore referring to the correct part.

Note all parts will not be found listed below the machine number. Other parts will be from specific sub assemblies and optional kits. These sub assemblies and kits will be found in numerical order further through the manual.

Sub assemblies start with 809\_\_ 01 and kits start with KIT- 08 \_\_ \_\_.

# List Of Kit Numbers

809904 01	350 Trimmer Assembly	6
809905 01	1.2m Head Assembly	8
809905 02	1.2m Head Assembly	10
809906 01	450 Trimmer Assembly	12
809910 01	200 Trimmer Assembly	14
809015 01	Main Fixed Frame Assembly	16
809016 01	Tank Assembly	18
809017 01	Mainframe Assembly	20
809018 01	Transfers Sub Assembly	22
809022 01	Main Fixed Frame Assembly	24

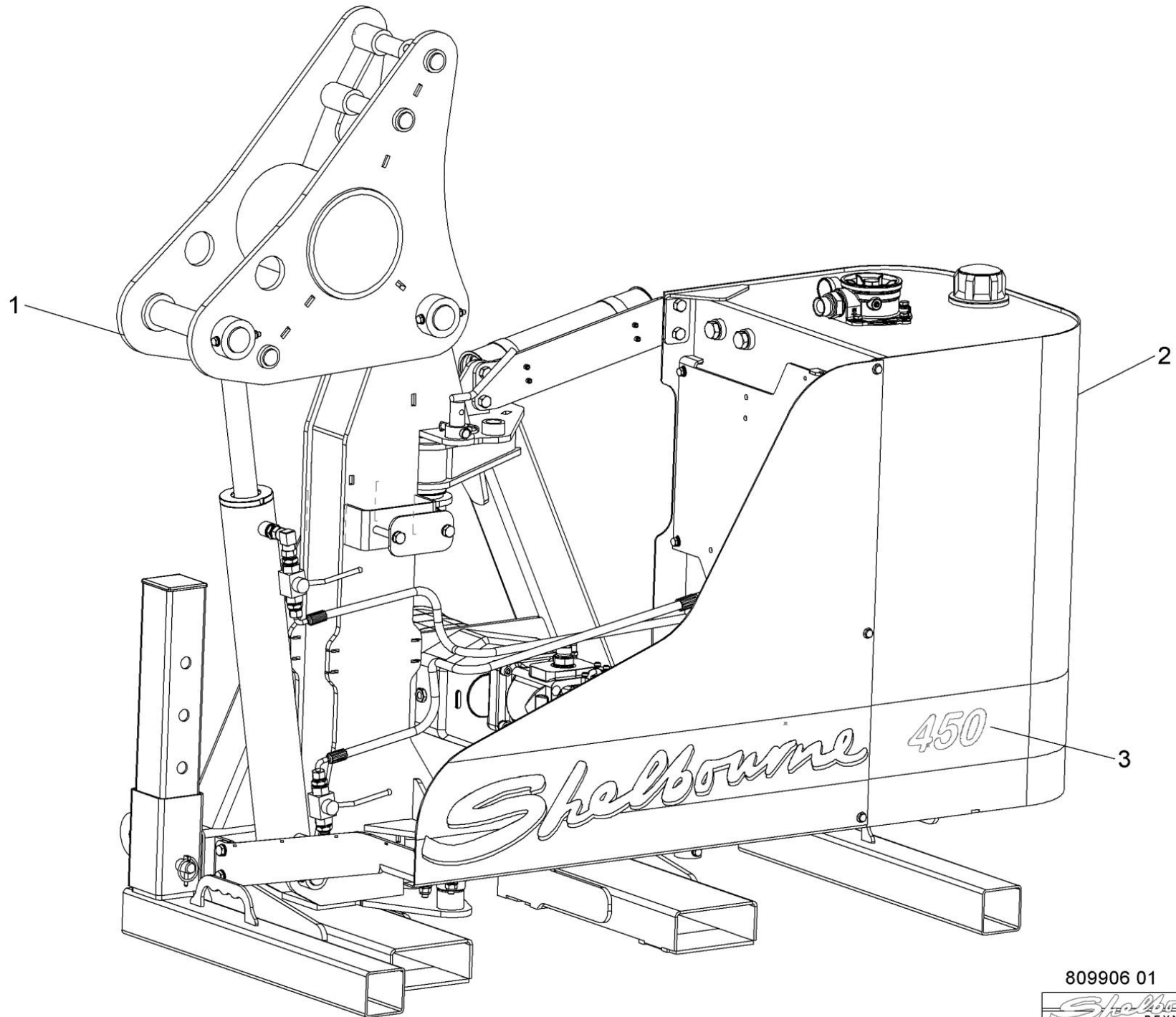
## Kit Options

		27
KIT-08133	1.2m Head And Nose Kit	28
KIT-08134a	Head Drive Kit	30
KIT-08135a	1.2m Flail Assembly	32
KIT-08137	1.2m Hydraulic Roller Kit	34
KIT-08137r	RH 1.2m Hydraulic Roller Kit	36
KIT-08138	Nose Skid Kit	38
KIT-08139	1.2m Roller Kit	40
KIT-08140	5.0m Outer Boom Kit	42
KIT-08145	5.0m Inner Boom Kit	44
KIT-08146	Lighting Kit	46
KIT-08147	Manual Arm Float Kit	48
KIT-08148	Stabiliser Kit	50
KIT-08149	3 Cable Control Kit	52
KIT-08149a	3 Cable Control Kit	54
KIT-08150	Electric Arm And Head Float Kit	56
KIT-08151	Oil Controls Kit	58
KIT-08151a	Oil Controls Kit	60
KIT-08153	4 Cable Control Kit	62
KIT-08153a	4 Cable Control Kit	64
KIT-08154	Oil Controls Kit	66
KIT-08154a	Oil Controls Kit	68
KIT-08185	Stabiliser Kit	70
KIT-08189	1.2m Roller Kit	72
KIT-08190	1.2m Hydraulic Roller Kit	74
KIT-08191	Nose Skid Kit	76
KIT-08192	1.2m Flail Assembly	78
KIT-08199	1.2m C Flail Assembly	80
KIT-08201	5.0m Inner Boom Kit	82
KIT-08202	5.0m Outer Boom	84

KIT-08205	Oil Cooler Kit	86
KIT-08207	Rear Guard Kit	88
KIT-08263	5.7m Inner Boom Kit	90
KIT-08264	5.7m Outer Boom	92
KIT-08266	RH Head Drive Kit	94
KIT-08267	Narrow Lane Kit	96
KIT-08268	Oil/Electric Controls Kit	98
KIT-08269	Oil/Electric Controls Kit	102
KIT-08274	3 Cable Control Kit	106
KIT-08275	4 Cable Control Kit	108
KIT-08284	Drawbar Kit	110
KIT-08317	Drawbar Kit for 400	112

**Shelbourne Reynolds Engineering Limited**

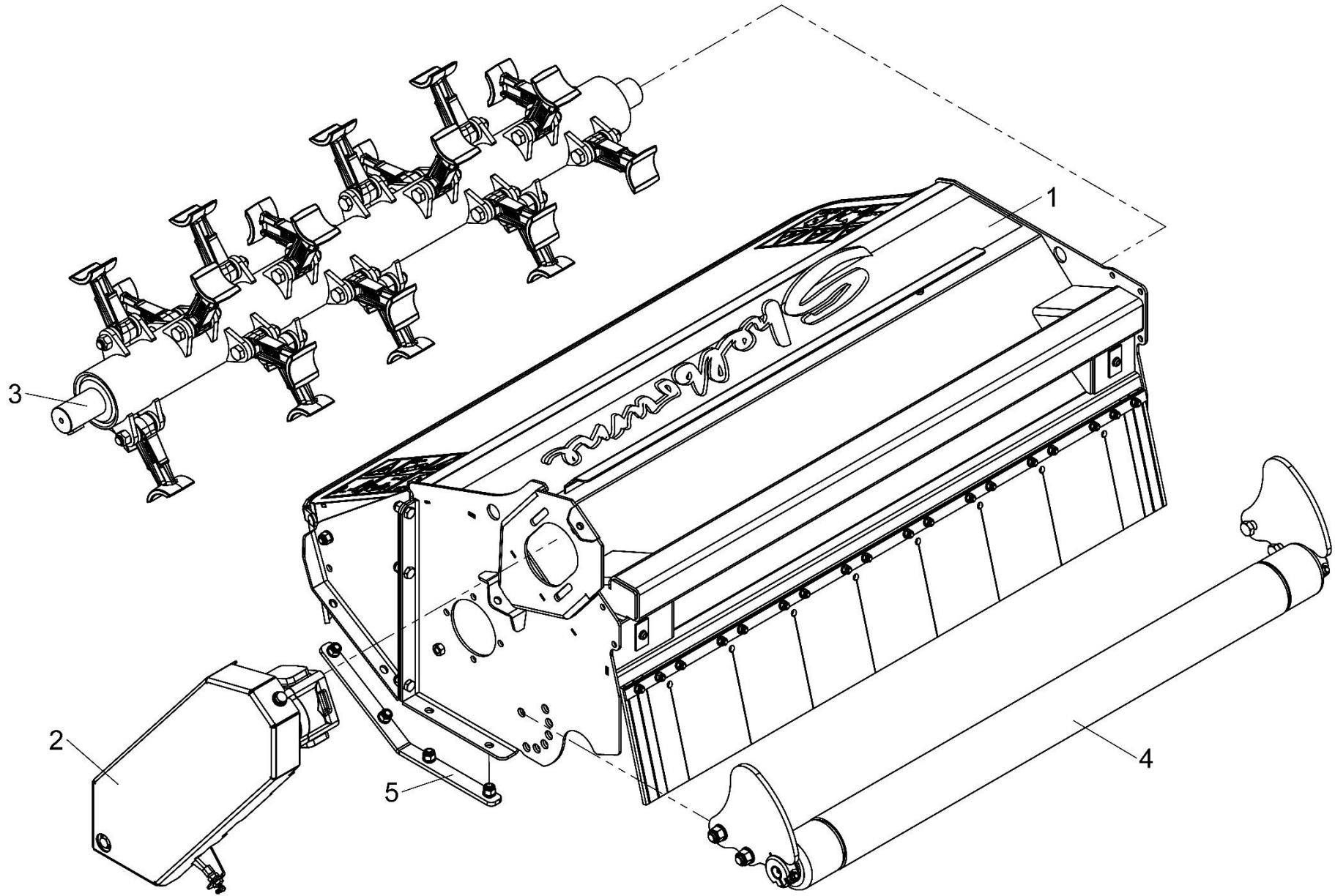
ASSY NUMBER: 809904 01				ASSY DESCRIPTION: 350 TRIMMER ASSY, COMMON PARTS LH			
ITEM	PART NO	DESCRIPTION	QTY	ITEM	PART NO	DESCRIPTION	QTY
1	809015 01	MAIN FRAME ASSY	1				
2	809016 01	TANK ASSY	1				
3	809018 01	TRANSFERS SUB ASSY	1				



**Shelbourne Reynolds Engineering Limited**

ASSY NUMBER:		809905 01		ASSY DESCRIPTION: 1.2Mt HEAD ASSY 200/300/400 TRIMMERS			
ITEM	PART NO	DESCRIPTION	QTY	ITEM	PART NO	DESCRIPTION	QTY
1	KIT-08133	LH DRIVE1.2M HEAD & NOSE	1				
2	KIT-08134A	LH HEAD DRIVE KIT	1				
3	KIT-08135A	1.2M T FLAIL ASSY	1				
4	KIT-08139	1.2M ROLLER KIT	1				
5	KIT-08138	SKID KIT	1				
38							

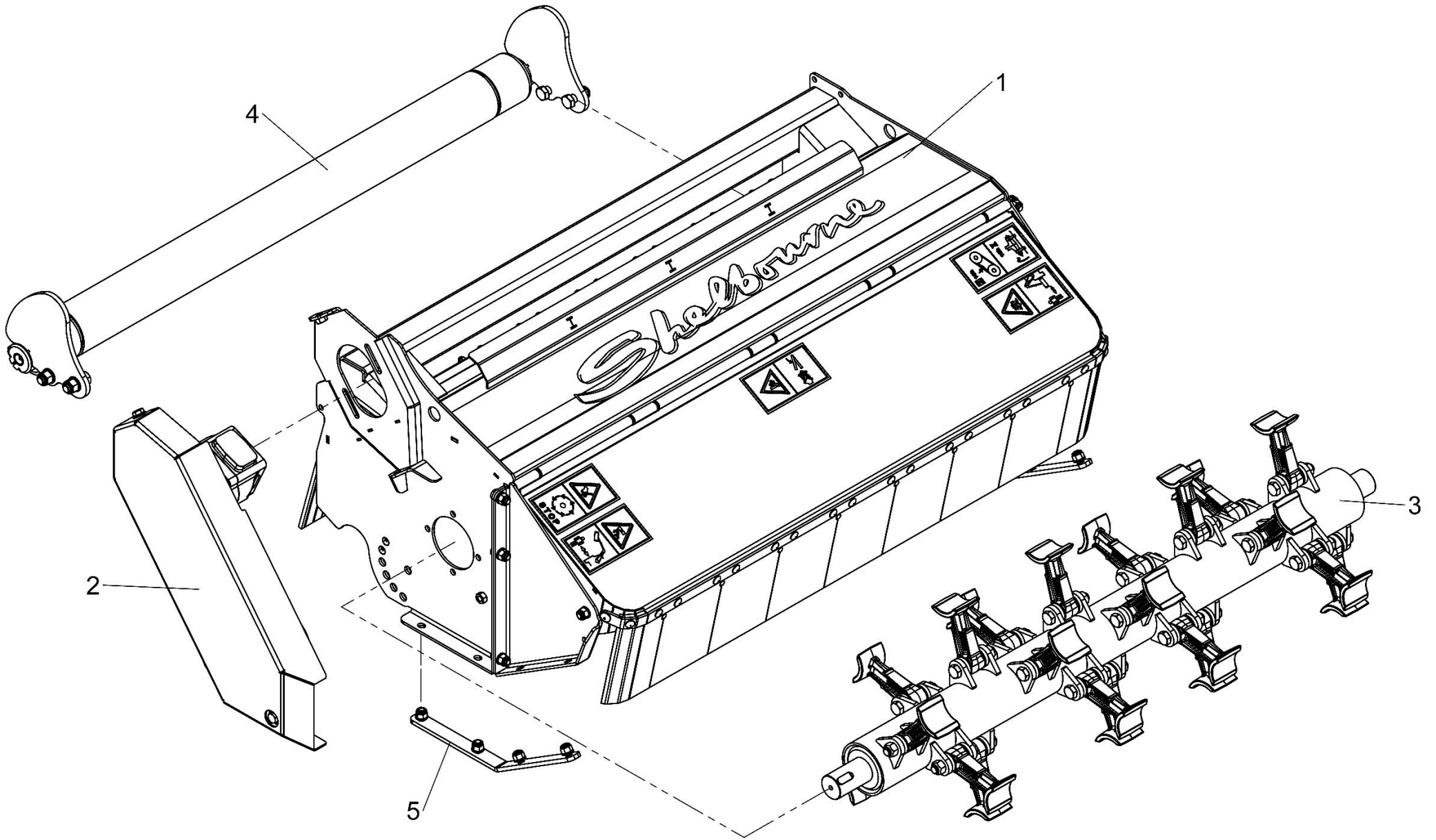




809905 01





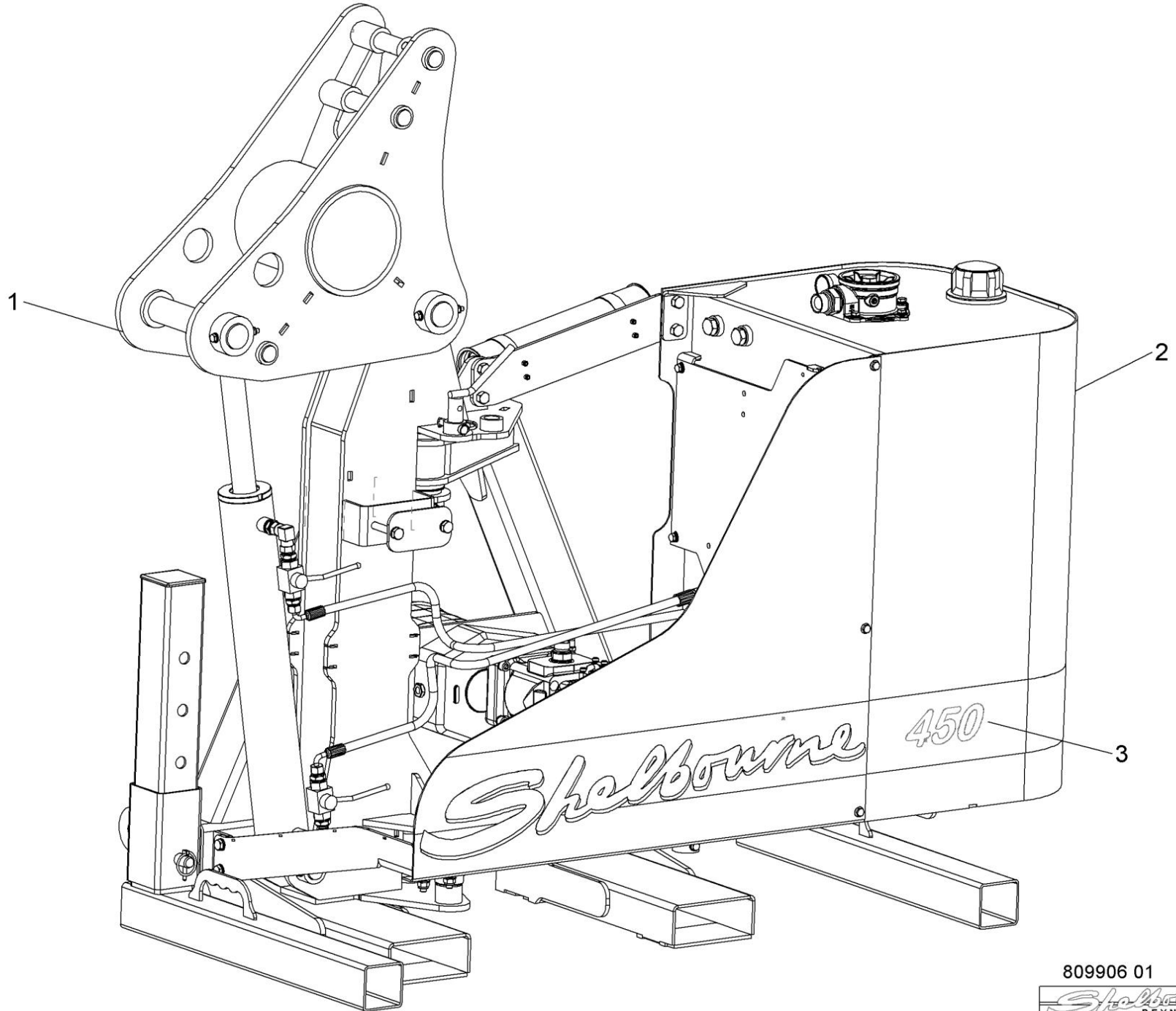


809905 02



**Shelbourne Reynolds Engineering Limited**

ASSY NUMBER: 809906 01				ASSY DESCRIPTION: 450 TRIMMER ASSY, COMMON PARTS LH			
ITEM	PART NO	DESCRIPTION	QTY	ITEM	PART NO	DESCRIPTION	QTY
1	809017 01	MAIN FRAME ASSY	1				
2	809016 01	TANK ASSY	1				
3	809018 01	TRANSFERS SUB ASSY	1				

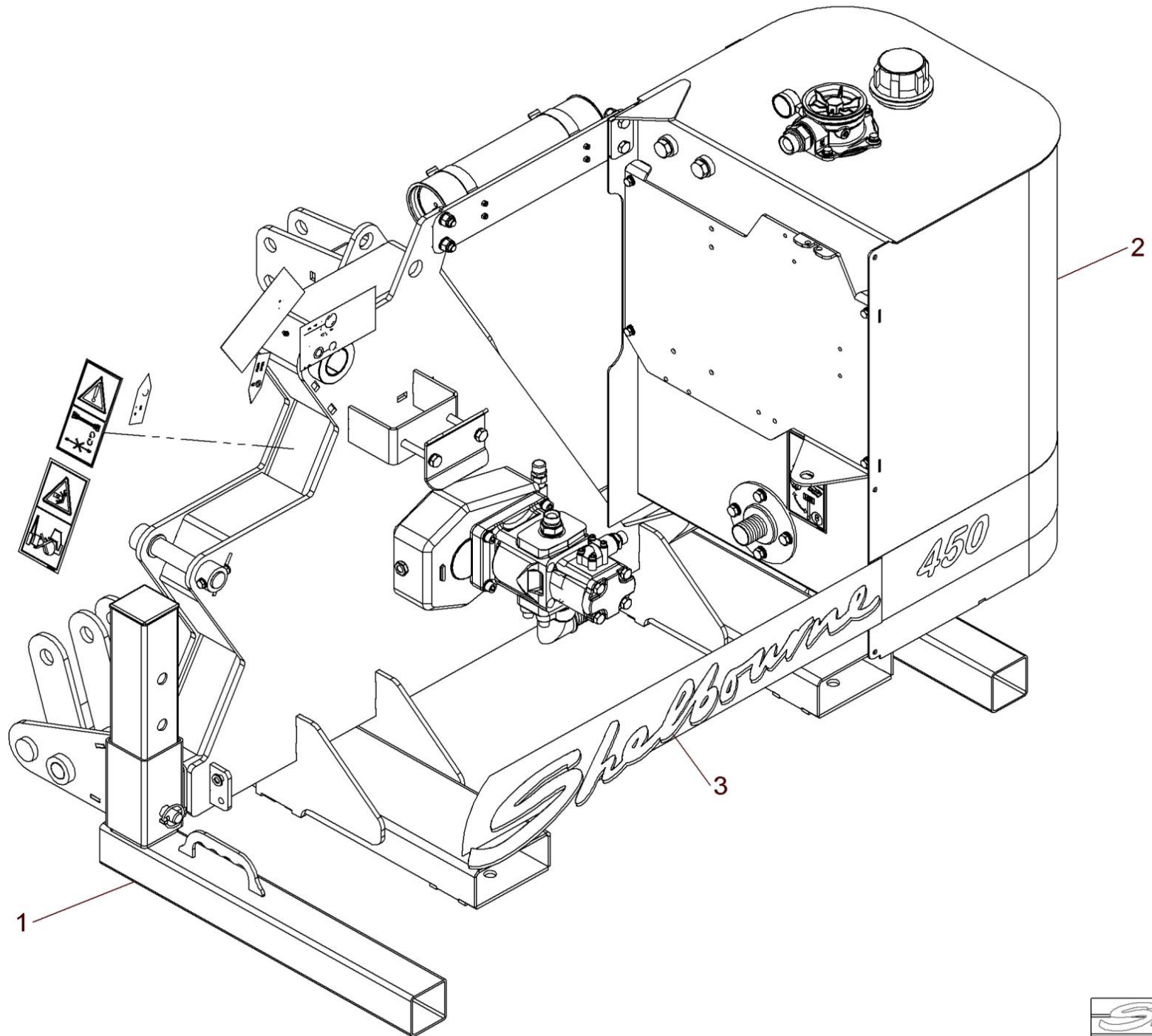


809906 01



**Shelbourne Reynolds Engineering Limited**

ASSY NUMBER: 809910 01				ASSY DESCRIPTION: 200 TRIMMER ASSY, COMMON PARTS LH			
ITEM	PART NO	DESCRIPTION	QTY	ITEM	PART NO	DESCRIPTION	QTY
1	809022 01	MAIN FRAME ASSY	1				
2	809016 01	TANK ASSY	1				
3	809018 01	TRANSFERS SUB ASSY	1				



809910 01

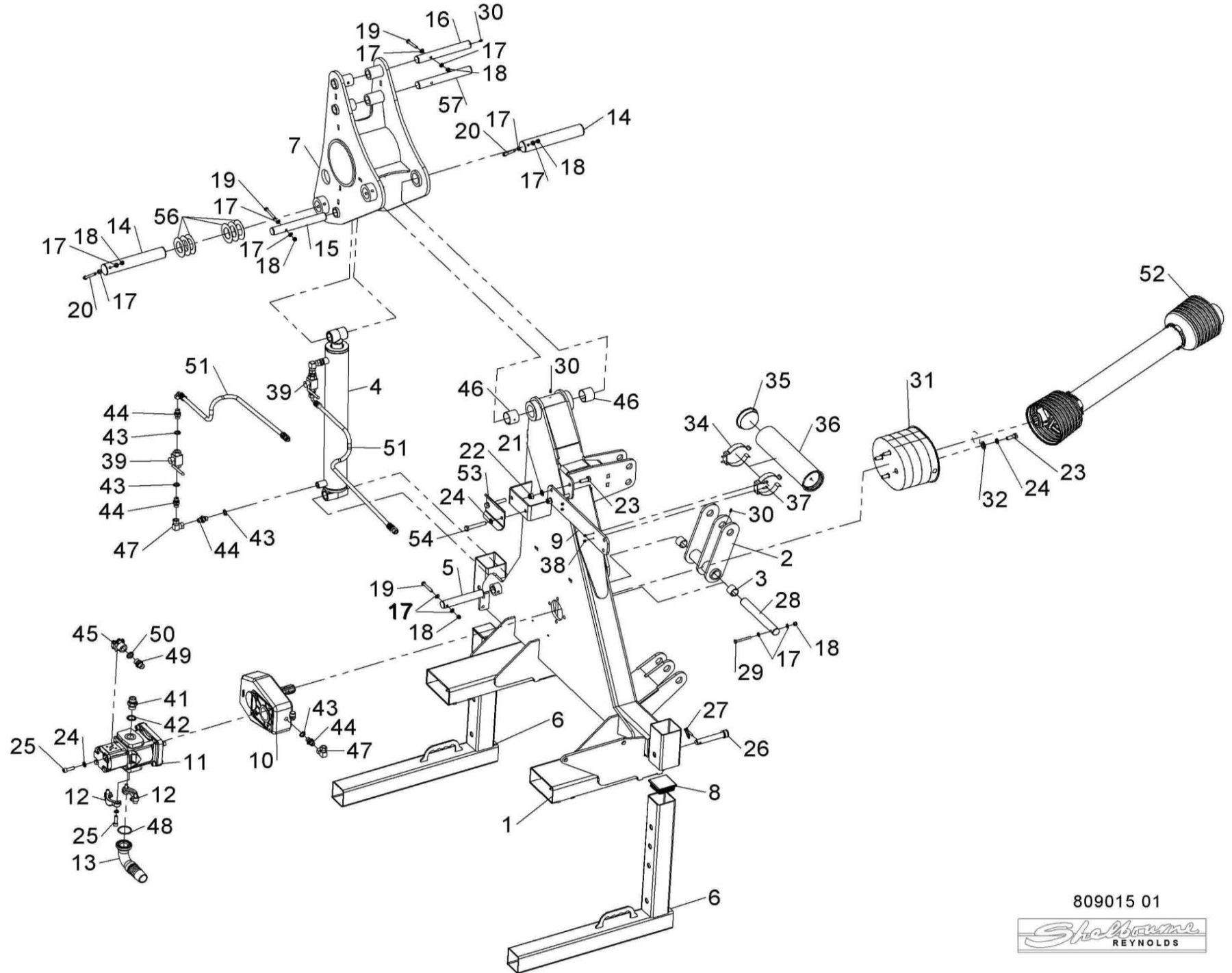


### Shelbourne Reynolds Engineering Limited

ASSY NUMBER: 809015 01				ASSY DESCRIPTION: MAIN FIXED FRAME ASSY			
ITEM	PART NO	DESCRIPTION	QTY	ITEM	PART NO	DESCRIPTION	QTY
1	802250 01	FIXED FRAME W/ASSY	1	41	HMA-0074	ADAPTOR	1
2	802255 01	BREAK BACK ROCKER W/ASSY	1	42	WSH-1020	DOWTY WASHER	1
3	BSH-3030	BUSH	2	43	WSH-1010	DOWTY WASHER	7
4	RAM-0019	LIFT RA	1	44	HMA-0057	ADAPTOR	7
5	800987 13	PIN	1	45	PUM990360	FLANGE FITTING	1
6	802333 01	STAND W/ASSY	2	46	BSHA04562	BUSH	2
7	802335 01	ROCKER W/ASSY	1	47	HAKAA05005	ELBOW	3
8	21709004	END CAP 80 X 80	2	48	ORA260450	O RING	1
9	802528 01	TANK STRAP	1	49	HMA-0067	ADAPTOR	1
10	GEA-0025	GEARBOX	1	50	WSH-1015	DOWTY WASHER	1
10A	GEA-1401	SPLINED COUPLING (SPARES ONLY)	-	51	HHBE12005	HOSE M	2
11	PUM090360	TANDEM PUMP	1	52	PTO-27000WE	PTO SHAFT PBXXXXXX441 & ON	1
12	HFKY60080	FLANGE HALVES	1	OR	PTO-27000C	PTO SHAFT UPTO PBXXXXXX441	1
13	HFKR05080	SUCTION ELBOW	1	53	802792 01	HOSE PLATE	1
14	800102 18	ROCKER PIVOT PIN	2	54	BLTA12500	BOLT	2
15	800101 35	ROCKER PIN	1	55	OIL-0005	GEARBOX OIL	0.5L
16	800101 36	ROCKER PIN	1	56	801502 01	SHIM	6
17	WSH-0012	PLAIN WASHER FORM A	14	57	805761 01	PIN	1
18	NUT-0263	NYLOC NUT	6				
19	BLTA08380	HEX.HEAD BOLT	4				
20	BLTA08530	HEX.HEAD BOLT	2				
21	WSH-0018	PLAIN WASHER	4				
22	NUT-0269	NUT	4				
23	HSS-0241	BOLT	10				
24	WSH-0065	SPRING WASHER	10				
25	SCW-0196	CAP HEAD SCREW	8				
26	39010206	PIN	2				
27	PIN-01601	LYNCH PIN	2				
28	800101 01	BR BACK ROCKER PIN	1				
29	BLTA08410	HEX.HEAD BOLT	1				
30	NIP-00600	GREASE NIPPLE	3				
31	PTO-00903	PTO MACHINE CONE	1				
32	800407 01	SPACER-GEARBOX MOUNT.	4				
34	21725019	SPRING CLIP	2				
35	21709163	PLASTIC END CAP	2				
36	39800004	MANUAL HOLDER TUBE	1				
37	HSS-0058	M5 X 16 SET SCREW	4				
38	NUT-0258	NYLOC NUT	4				
39	21303109	HIGH PRESSURE BALL VALVE	2				
40							



Shelbourne Reynolds Engineering Limited

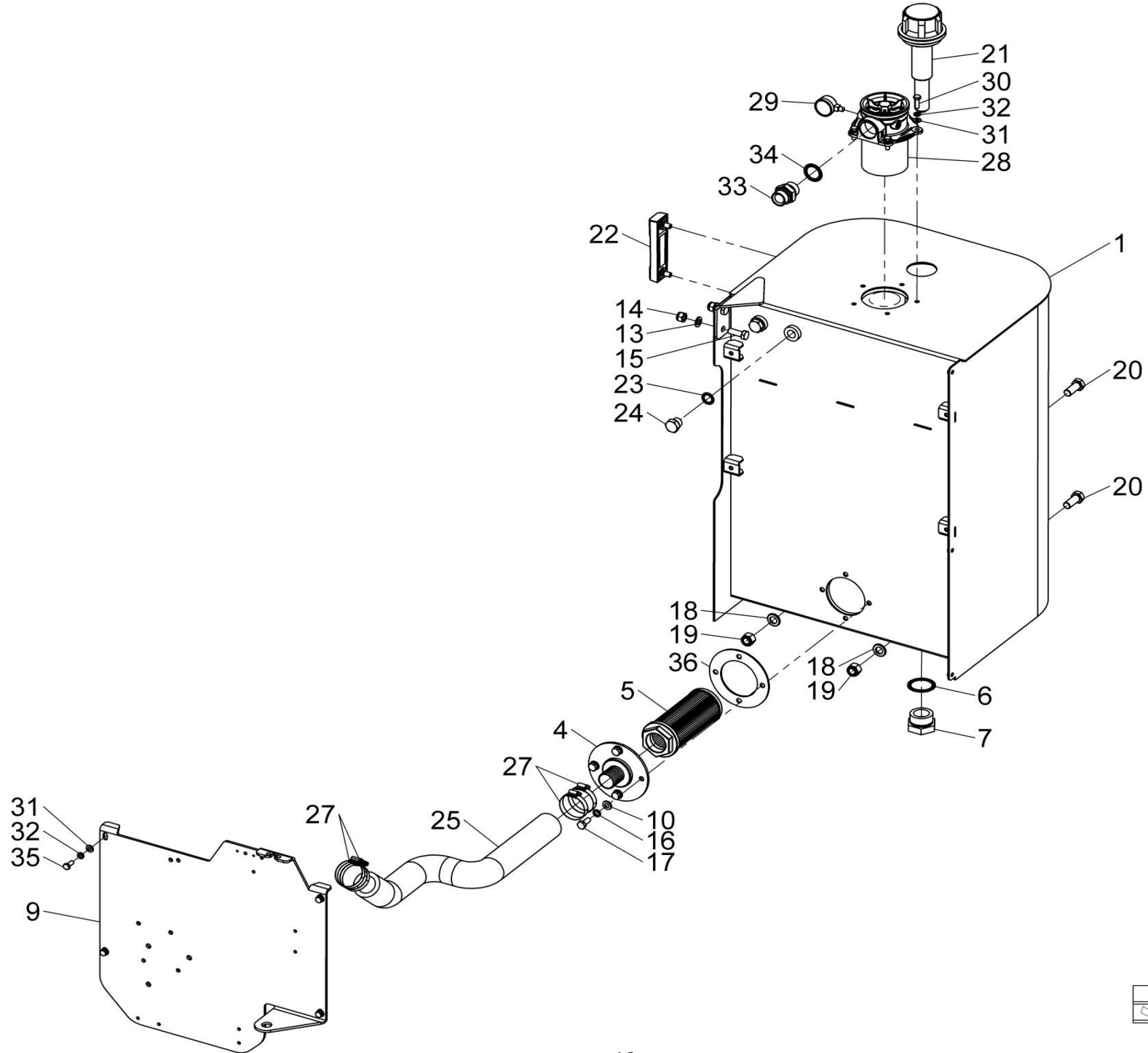


809015 01



**Shelbourne Reynolds Engineering Limited**

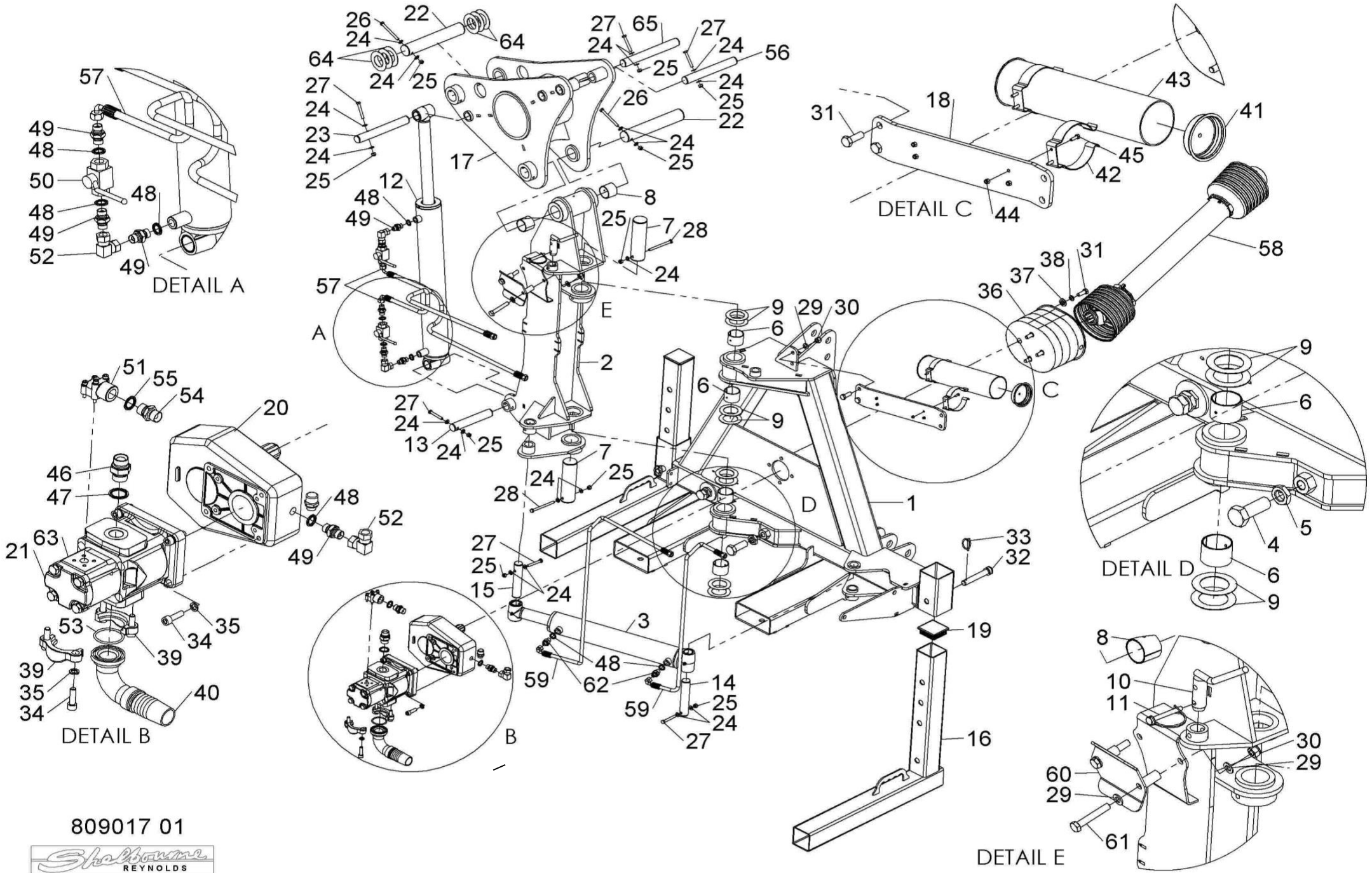
ASSY NUMBER: 809016 01				ASSY DESCRIPTION: TANK ASSY			
ITEM	PART NO	DESCRIPTION	QTY	ITEM	PART NO	DESCRIPTION	QTY
1	802280 01	TANK W/ASSY	1				
2							
3							
4	802490 01	SUCTION FITTING W/ASSY	1				
5	SUC-0110	SUCTION ELEMENT	1				
6	DWS-00055	DOWTY WASHER 1 1/2"	1				
7	FITC00317	HYD.BLANKING PLUG (MALE)	1				
8							
9	802545 01	VALVE MOUNTING W/ASSY	1				
10	WSH-0015	PLAIN WASHER	6				
11							
12							
13	WSH-0018	PLAIN WASHER	2				
14	NUT-0269	NUT	2				
15	HSS-0241	BOLT	2				
16	WSH-0061	SPRING WASHER	4				
17	HSS-0191	SET SCREW	4				
18	WSH-0024	PLAIN WASHER FORM A	2				
19	NUT-0271	NYLOC NUT	2				
20	HSS-0316	SETSCREW	2				
21	FIL-0180	FILLER BREATHER	1				
22	GAU-0010	FLUID LEVEL TEMP.GUAGE	1				
23	WSH-1015	DOWTY WASHER 1/2"	1				
24	FIT-0217	1/2"BSP BLANKING PLUG	1				
25	HOS-1044	1 1/2"WIRE BRAID HOSE	0.33m				
26	OIL-0027	HYDRAULIC OIL	205				
27	CLP-0075	40mm/55mm JUBILEE CLIP	4				
28	FIL-0280	FILTER HOUSING (PB350120176 &ON)	1				
	FIL-0290	FILTER ELEMENT					
OR	FIL-0260	FILTER HOUSING (UPTO PB350120176)	-				
	FIL-0270	FILTER ELEMENT					
29	FIL-0210	FILTER VISUAL INDICATOR	1				
30	HSS-0145	SET SCREW	9				
31	WSH-0012	WASHER	13				
32	WSH-0058	SPRING WASHER	13				
33	FIT-0546	ADAPTOR	1				
34	WSH-1025	DOWTY WASHER	1				
35	HSS-0140	SET SCREW	4				
36	804644 01	SUCTION ELBOW GASKET	1				



### Shelbourne Reynolds Engineering Limited

ASSY NUMBER: 809017 01				ASSY DESCRIPTION: MAINFRAME ASSY (400)			
ITEM	PART NO	DESCRIPTION	QTY	ITEM	PART NO	DESCRIPTION	QTY
1	802293 01	A FRAME W/ASSY	1	39	HFKY60080	FLANGE HALVES (PAIR OF)	1
2	802299 01	PILLAR W/ASSY	1	40	HFKR05080	SUCTION ELBOW	1
3	807171 01	SLEW CYLINDER PB45X221471 & ON	1	41	21709163	PLASTIC END CAP	2
OR	RAM-0021	BREAKBACK RAM UPTO PB45X221471	-	42	21725019	SPRING CLIP	2
4	HSS-0410	SETSCREW	2	43	39800004	MANUAL HOLDER TUBE	1
5	NUT-0390	HALF NUT	2	44	NUT-0258	NYLOC NUT	4
6	BSHA05062	BUSH	4	45	HSS-0058	M5 X 16 SET SCREW	4
7	800141 02	PIN PILLAR PIVOT(TOP)	2	46	HMA-0074	ADAPTOR	1
8	BSHA04562	BUSH	2	47	WSH-1020	DOWTY WASHER	1
9	800781 01	SHIM	8	48	WSH-1010	DOWTY WASHER	9
10	801319 01	MD LOCKING PIN	1	49	HMA-0057	ADAPTOR	7
11	PIN-1720	SPRING PIN 'D' CLIP	1	50	21303109	BALL VALVE	2
12	807169 01	LIFT RAM PB45X221492 & ON	1	51	PUM990360	FLANGE FITTING	1
OR	RAM-0019	LIFT RAM UPTO PB45X221492	-	52	HAKAA0505	ELBOW	3
13	800987 13	PIN	1	53	ORA260450	O RING	1
14	800101 09	PIN - PIN BB RAM CYL	1	54	HMA-0067	ADAPTOR	1
15	800101 33	SLEW PIN	1	55	WSH-1015	DOWTY	1
16	802333 01	STAND W/ASSY	2	56	800101 36	ROCKER PIN	1
17	802335 01	ROCKER W/ASSY (ED)	1	57	HHBE12005	HOSE	2
18	802538 01	JOINING PLATE	1	58	PTO-27000W	PTO SHAFT 2022 & ON	1
19	21709004	END CAP 80 X 80	2	OR	PTO-27000WE	PTO SHAFT PBXXXXXX441-2022	1
20	GEA-0025	GEARBOX (SPEED UP)	1	OR	PTO-27000C	PTO SHAFT UPTO PBXXXXXX441	1
21	PUM090360	TANDEM PUMP - PAINTED BLACK	1	59	HHBC11005	HOSE	2
22	800102 18	ROCKER PIVOT PIN	2	60	805928 01	HOSE PLATE (DEC 2018 & ON)	1
23	800101 35	ROCKER PIN (ED)	1	OR	802792 01	HOSE PLATE (UPTO DEC 2018)	1
24	WSH-0012	PLAIN WASHER FORM A	20	61	BLTA12500	BOLT	2
25	NUT-0263	NYLOC NUT	10	62	FIT-0025	ADAPTOR	2
26	BLTA08530	HEX.HEAD BOLT	2	63	OIL-0005	GEARBOX OIL	0.5L
27	BLTA08380	HEX.HEAD BOLT	6	64	801502 01	SHIM	6
28	BLTA08560	HEX.HEAD BOLT	2	65	805761 01	PIN	1
29	WSH-0018	PLAIN WASHER	4				
30	NUT-0269	NUT	4				
31	HSS-0241	BOLT	10				
32	39010206	PIN	2				
33	PIN-01601	LYNCH PIN	2				
34	SCW-0196	CAP HEAD SCREW	4				
35	WSH-0061	SPRING WASHER	4				
36	PTO-00903	PTO MACHINE CONE	1				
37	800407 01	SPACER-GEARBOX MOUNT.	4				
38	WSH-0065	SPRING WASHER	6				

Shelbourne Reynolds Engineering Limited

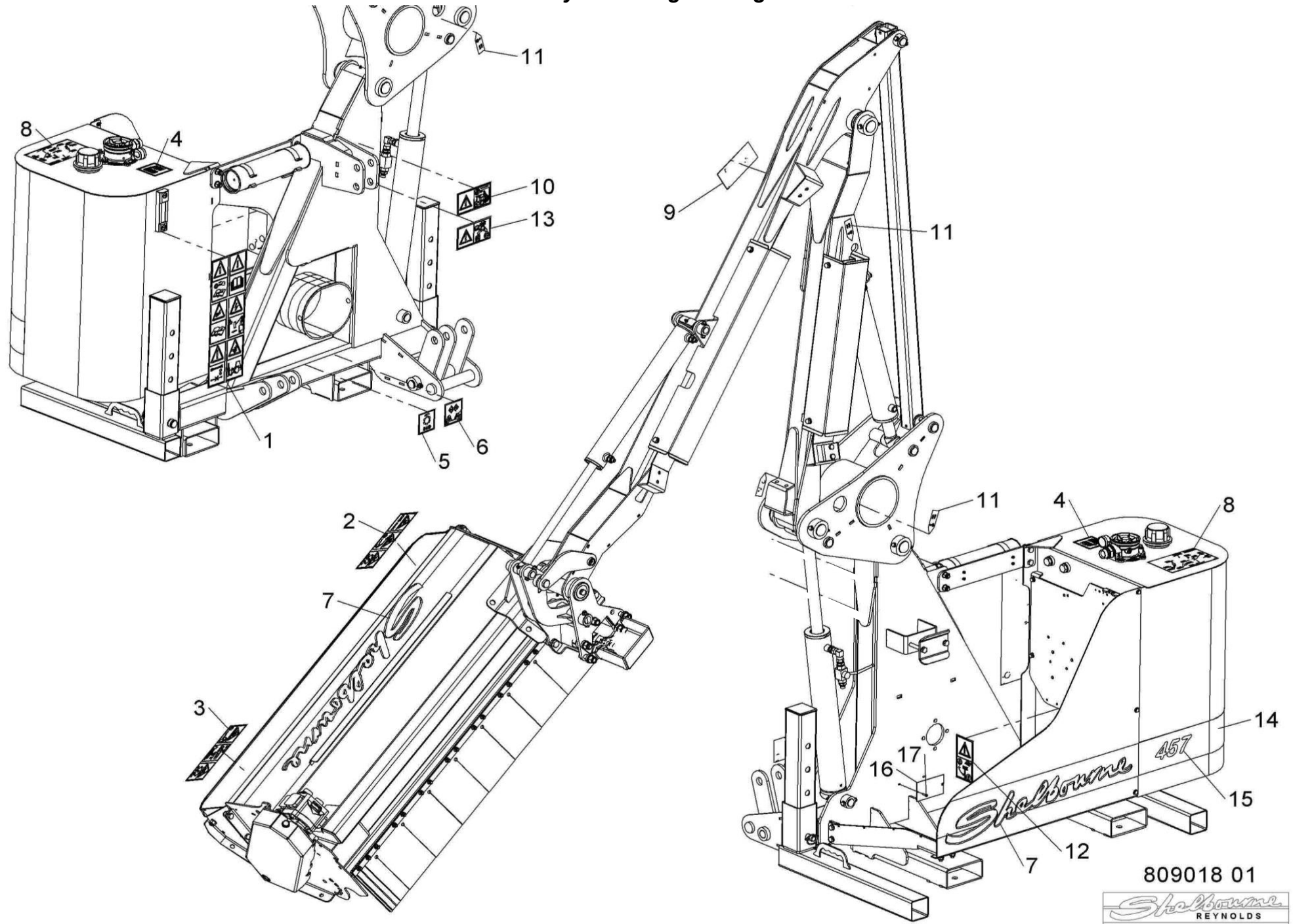


809017 01



**Shelbourne Reynolds Engineering Limited**

ASSY NUMBER: 809018 01				ASSY DESCRIPTION: TRANSFERS SUB ASSY (200, 300 & 400)			
ITEM	PART NO	DESCRIPTION	QTY	ITEM	PART NO	DESCRIPTION	QTY
1	805599 01	MULTI-TRANSFER 2019 & ON	1				
OR	TNF-0011	TRANSFER BLOCK UPTO 2019	1				
OR	800221 01	TRANSFER (MANUAL/OIL) UPTO 2019	1				
OR	800220 01	TRANSFER (VOLT HZD) UPTO 2019	1				
OR	193391 01	TRANSFER (PTO GUARD) UPTO 2019	1				
OR	800219 01	TRANSFER (COUPLING) UPTO 2019	1				
2	805600 01	MULTI-TRANSFER 2019 & ON	1				
OR	800215 01	TRANSFER (CRUSH DANG) UPTO 2019	1				
OR	800217 01	TRANSFER (SAFE DIST) UPTO 2019	1				
OR	800222 01	TRANSFER (STOP) UPTO 2019	1				
3	805601 01	MULTI-TRANSFER 2019 & ON	1				
OR	800214 01	TRANSFER (FLY OBJ) UPTO 2019	1				
OR	800213 01	TRANSFER (BELT/BOLTS) UPTO 2019	1				
OR	800218 01	TRANSFER (STOP) UPTO 2019	1				
4	800211 01	TRANSFER (CHANGE FILTER)	1				
5	590475 01	TRANSFER (PTO 540RPM)	1				
6	800212 01	TRANSFER (CHECK CHAINS)	1				
7	260228 01	SHELBOURNE TRANSFER	2				
8	803195 01	TRANSFER LUBRICATION	1				
9	210435 01	TRANSFER (LOCK CYLINDER)	1				
10	800878 01	TRANSFER (TRANSPORT MODE)	1				
11	190702 04	TRANSFER (SLING POINT)	4				
12	801417 01	TRANSFER (ACCUMULATOR)	AR				
13	801418 01	TRANSFER (MANUAL ARM FLOAT)	AR				
14	802568 01	TRANSFER TRIMMER	1				
15	802567 12	TRANSFER - 250	AR				
OR	802567 01	TRANSFER - 350	AR				
OR	802567 02	TRANSFER - 450	AR				
OR	802567 21	TRANSFER - 457	AR				
16	290526 01	SERIAL NO. PLATE	1				
17	POP-0006	POP RIVET	2				
18	806835 01	CHECK OIL TRANSFER	1				



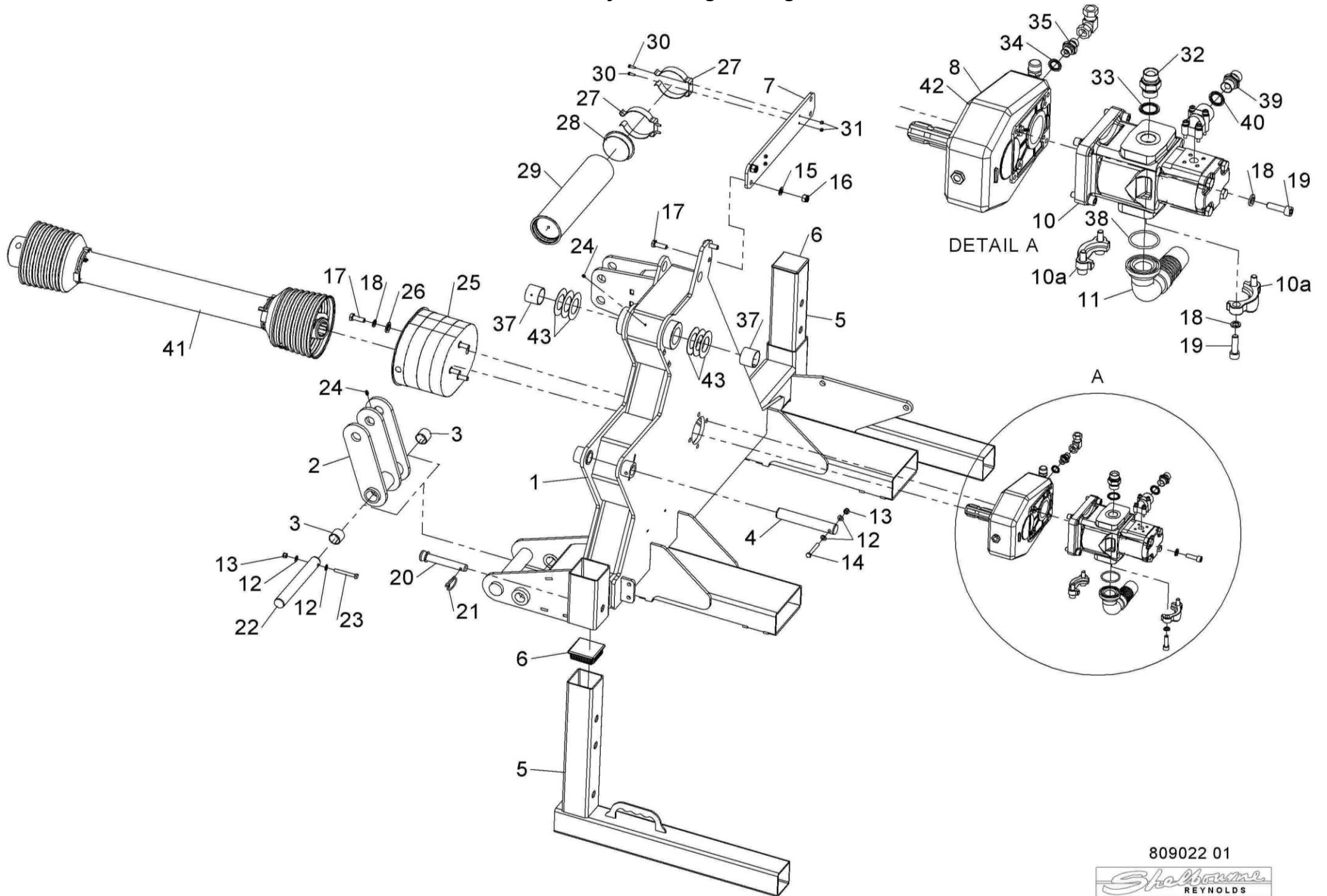
809018 01



**Shelbourne Reynolds Engineering Limited**

ASSY NUMBER: 809022 01				ASSY DESCRIPTION: MAIN FIXED FRAME ASSY (200)			
ITEM	PART NO	DESCRIPTION	QTY	ITEM	PART NO	DESCRIPTION	QTY
1	803362 01	FIXED FRAME W/ASSY	1	40	WSH-1015	DOWTY WASHER	1
2	802255 01	BREAK BACK ROCKER W/ASSY	1	41	PTO-27000WE	PTO SHAFT PBXXXXXX441 & ON	1
3	BSH-3030	BUSH	2	OR	PTO-27000C	PTO SHAFT UPTO PBXXXXXX441	1
4	800987 13	PIN	1	42	OIL-0005	GEARBOX OIL	0.5L
5	803425 01	STAND W/ASSY	2	43	801502 01	SHIM	6
6	21709004	END CAP	2				
7	802528 01	TANK STRAP	1				
8	GEA-0025	GEARBOX	1				
9	GEA-1401	SPLINED COUPLING (SPARES ONLY)	-				
10	PUM090360	TANDEM PUMP	1				
10A	HFKY60080	FLANGE HALVES	1				
11	HFKR05080	SUCTION ELBOW	1				
12	WSH-0012	WASHER	4				
13	NUT-0263	NUT	2				
14	BLTA08380	HEX.HEAD BOLT	1				
15	WSH-0018	WASHER	2				
16	NUT-0269	NUT	2				
17	HSS-0241	BOLT	6				
18	WSH-0065	WASHER	8				
19	SCW-0196	CAP HEAD SCREW	8				
20	39010206	PIN	2				
21	PIN-01601	LYNCH PIN	2				
22	800101 01	BR BACK ROCKER PIN	1				
23	BLTA08410	HEX.HEAD BOLT	1				
24	NIP-00600	GREASE NIPPLE	2				
25	PTO-00903	PTO MACHINE CONE	1				
26	800407 01	SPACER-GEARBOX MOUNT.	4				
27	21725019	SPRING CLIP	2				
28	21709163	PLASTIC END CAP	2				
29	39800004	MANUAL HOLDER TUBE	1				
30	HSS-0058	SET SCREW	4				
31	NUT-0258	NUT	4				
32	HMA-0074	ADAPTOR	1				
33	WSH-1020	DOWTY WASHER	1				
34	WSH-1010	DOWTY WASHER	1				
35	HMA-0057	ADAPTOR	1				
36	PUM990360	FLANGE FITTING	1				
37	BSHA04562	BUSH	2				
38	ORA260450	O RING	1				
39	HMA-0067	ADAPTOR	1				





809022 01



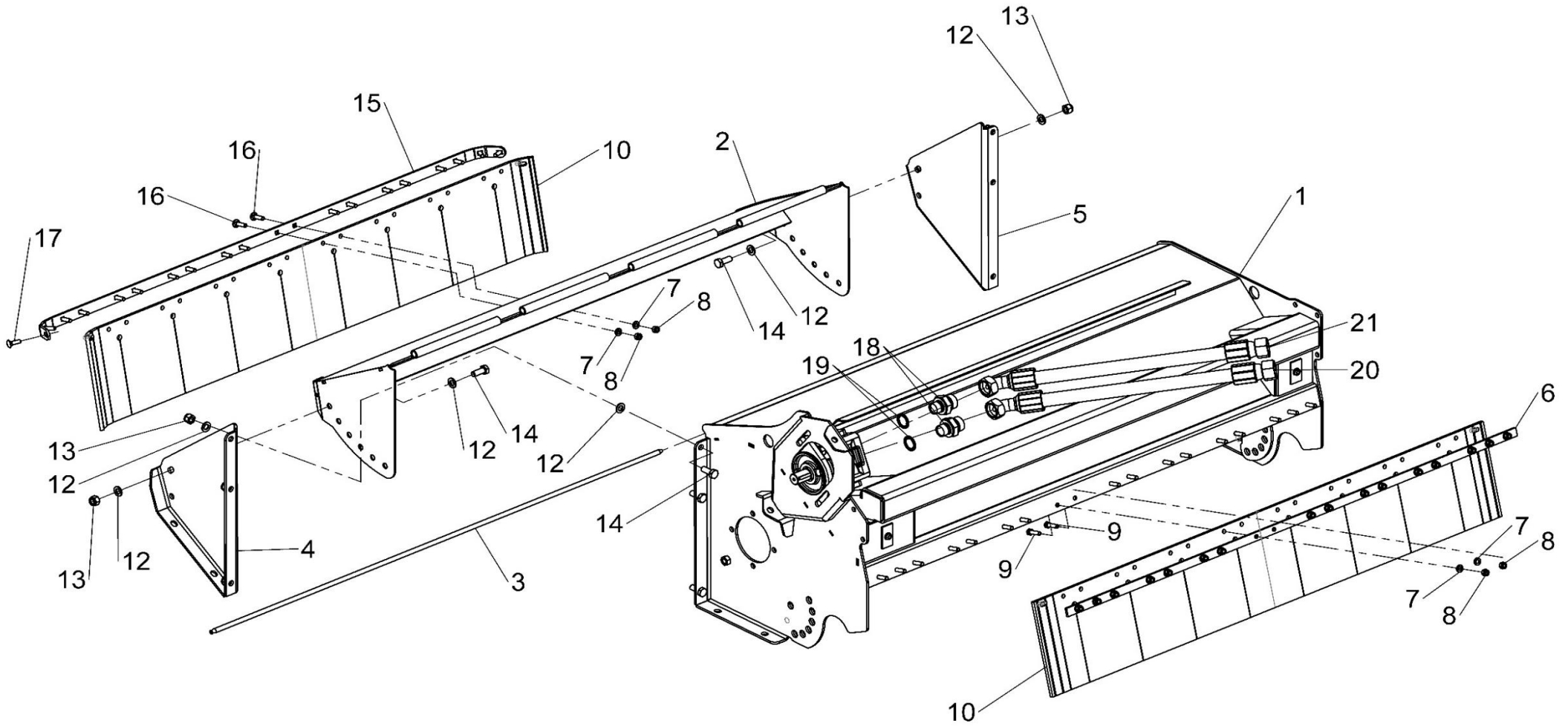


# Kit Options

**Shelbourne Reynolds Engineering Limited**

ASSY NUMBER: KIT-08133				ASSY DESCRIPTION: 1.2MT HEAD AND NOSE KIT 350 & 450 TRIMMER			
ITEM	PART NO	DESCRIPTION	QTY	ITEM	PART NO	DESCRIPTION	QTY
1	802274 01	1.2mt HEADSHELL W/ASSY	1				
OR	802274 02	1.2mt HEADSHELL W/ASSY					
2	802275 01	1.2mt NOSE W/ASSY	1				
3	806712 01	HINGE BAR	1				
4	802276 01	LH NOSE SIDE PANEL	1				
5	802276 02	RH NOSE SIDE PANEL	1				
6	800069 01	CURTAIN STRIP 1.2MT	1				
7	WSH-0012	PLAIN WASHER FORM A	38				
8	NUT-0263	NYLOC NUT	38				
9	HSS-0150	BOLT	18				
10	800068 01	RUBBER CURTAIN 1.2MT	2				
11							
12	WSH-0018	PLAIN WASHER	11				
13	NUT-0269	NUT	8			KIT-08133 LH DRIVE 1.2MT HEAD	
14	HSS-0238	BOLT	8			AND NOSE KIT 350 & 450	
15	802381 01	CLAMP STRIP	1				
16	BLT-2700	BOLT	18				
17	BLTF08173	COACH BOLT	2			KIT-08133R RH DRIVE 1.2MT HEAD	
18	HMA-0075	ADAPTOR	2			AND NOSE KIT 350 & 450	
19	WSH-1020	DOWTY WASHER	2				
20	HHAI13705	HOSE PB45X191105 & ON	1				
OR	HHDI13705	HOSE UPTO PB45X191105	1				
21	HHAI14705	HOSE PB45X191105 & ON	1				
OR	HHDI14705	HOSE UPTO PB45X191105	1				

Shelbourne Reynolds Engineering Limited

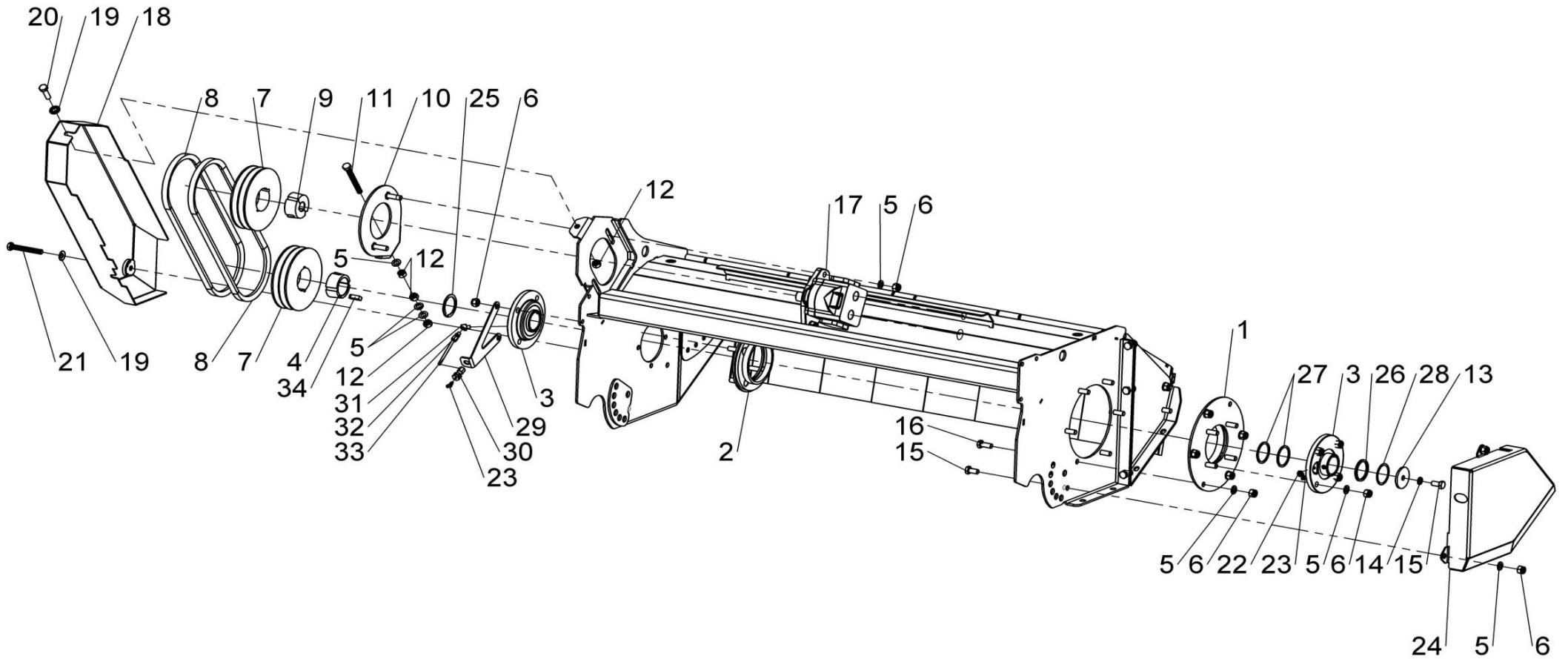


KIT-08133



**Shelbourne Reynolds Engineering Limited**

ASSY NUMBER: KIT-08134A				ASSY DESCRIPTION: HEAD DRIVE KIT (110 DIA) 350 & 450			
ITEM	PART NO	DESCRIPTION	QTY	ITEM	PART NO	DESCRIPTION	QTY
1	802458 01	BEARING MOUNTING W/ASSY	1				
2	802472 01	BEARING MOUNTING W/ASSY	1				
3	BRG-25043	FLANGED BEARING	2				
4	BSHZ05056	TAPER LOCK BUSH	1				
5	WSH-0018	PLAIN WASHER	19				
6	NUT-0269	NUT	18				
7	802304 01	PULLEY	2				
8	BEL-10145	VEE BELT	2				
9	BSHZ14032	TAPERLOCK BUSH	1				
10	803576 01	MOUNTING PLATE W/ASSY	1				
11	HSSA12590	SET SCREW	1				
12	NUT-0170	PLAIN NUT PLATED	4				
13	198800 13	WASHER 13x60x5	1				
14	WSH-0065	SPRING WASHER	1				
15	HSS-0235	SET SCREW	3				
16	HSS-0238	BOLT	6				
17	MOTH02601	MOTOR - PAINTED BLACK	1				
18	803574 01	BELT GUARD PBxxx140341 & ON	1				
OR	802383 01	BELT GUARD UPTO PBxxx140341	-				
19	WSHA30121	WASHER	2				
20	HSS-0250	SET SCREW	1				
21	HSSA12530	SET SCREW	1				
22	802386 01	NIPPLE EXTENSION	1				
23	NIP-00810	GREASE NIPPLE	1				
24	802481 01	IDLE END GUARD	1				
25	198800 20	WASHER 51X60X4	2				
26	198800 21	WASHER 51x60x2	2				
27	198800 22	WASHER 51x60x4	1				
28	802482 01	SPACER	1				
29	803458 01	BRACKET	1				
30	LUB-00052	BULKHEAD ST	1				
31	LUB-00054	ADAPTER 45 DEG	1				
32	LUB-00053	MALE CONNECTOR, ST	1				
33	LUB-00044	PLASTIC TUBE	1				
34	K1409032	KEY	1				



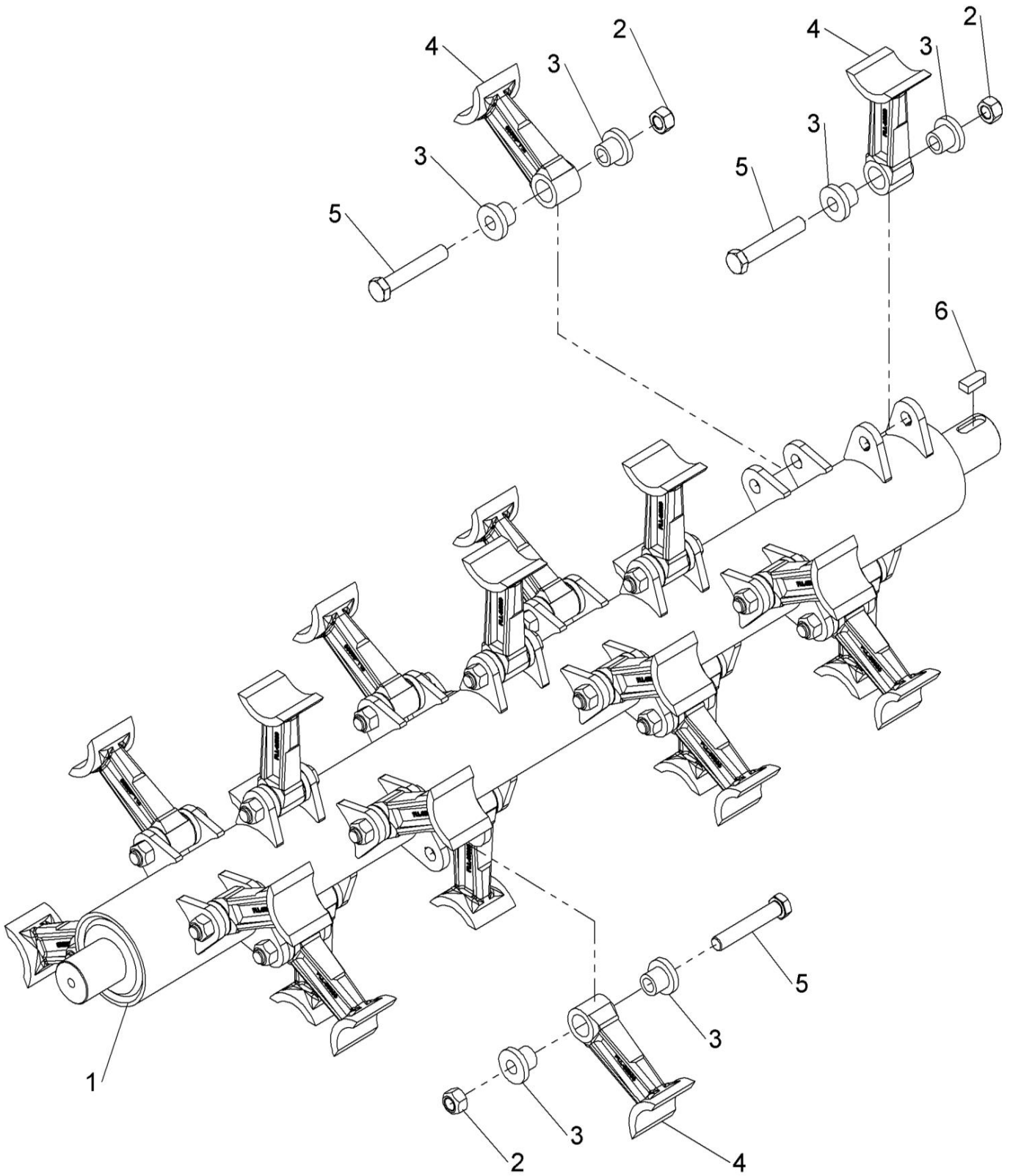
KIT-08134A



**Shelbourne Reynolds Engineering Limited**

ASSY NUMBER: KIT-08135A				ASSY DESCRIPTION: 1.2mt FLAIL ASSY			
ITEM	PART NO	DESCRIPTION	QTY	ITEM	PART NO	DESCRIPTION	QTY
1	802460 01	1.2mt ROTOR TUBE W/ASSY	1				
2	NUTF15162	STOVER NUT	24				
3	805046 01	SPACER	48				
4	FLL-05000	"T" FLAIL	24				
5	BLTD16554	HEX.HEAD BOLT	20				
6	REFER TO	KIT-08134/A					
7	BLTD16574	HEX.HEAD BOLT	4				



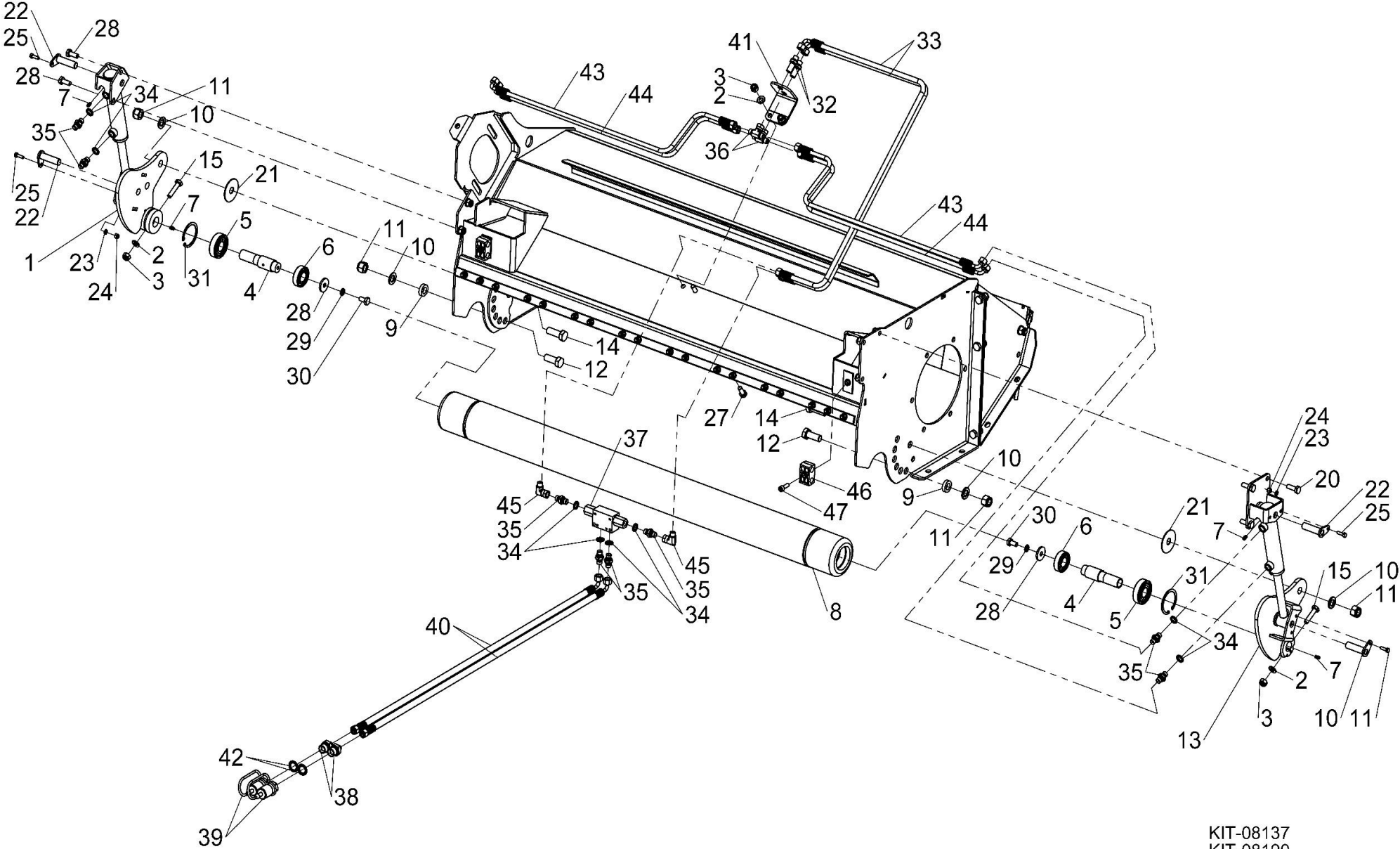


KIT-08135A



**Shelbourne Reynolds Engineering Limited**

ASSY NUMBER: KIT-08137				ASSY DESCRIPTION: 1.2mt HYDRAULIC ROLLER KIT			
ITEM	PART NO	DESCRIPTION	QTY	ITEM	PART NO	DESCRIPTION	QTY
1	802343 01	LH ADJ. ROLLER PLATE W/ASSY	1	39	COU-0162	QUICK REL COUP	2
2	WSH-0015	PLAIN WASHER	9	40	HHCC15005	HYD HOSE	2
3	NUT-0265	NYLOC NUT	9	41	802797 01	BULKHEAD BRACKET	1
4	802345 01	STUB SHAFT	2	42	WSH-1015	DOWTY WASHER	2
5	BRG-3358	SUPPORT	2	43	HHCC06705	HYD HOSE (RAM TOP)	2
6	BRG-4125	BEARING	2	44	HHCC07705	HYD HOSE (RAM BOT)	2
7	NIP-00600	GREASE NIPPLE	4	45	HALAA0303	ELBOW FITTING	2
8	802346 01	ROLLER TUBE W/ASSY	1	46	HCPD01400	HYDRAULIC PIPE CLAMP	2
9	198800 12	WASHER 17x30x8	2	47	SCW-0136	CAP HEAD SCREW	2
10	WSH-0024	PLAIN WASHER FORM A	4				
11	NUT-0271	NYLOC NUT	4				
12	HSS-0316	SETSCREW	2		KIT-08137	5.0Mt BOOM 1.2mt HYDRAULIC ROLLER KIT	
13	802343 02	RH ADJ. ROLLER PLATE W/ASSY	1		KIT-08137A	5.7Mt BOOM 1.2mt HYDRAULIC ROLLER KIT	
14	HSS-0317	SET SCREW	2				
15	BLTA10290	BOLT	2				
16	NIP-00610	GREASE NIPPLE	2				
17	RAM-0017A	HYD ROLLER RAM 2020 & ON	2				
OR	RAM-0017	HYD ROLLER RAM UPTO 2020	2				
18							
19	802350 01	UPPER RAM MOUNTING W/ASSY	1				
20	HSS-0194	BOLT	3				
21	198800 14	WASHER 17x60x2	2				
22	802370 01	RAM MOUNTING PIN W/ASSY	4				
23	WSH-0009	PLAIN WASHER FORM A	4				
24	NUT-0260	NYLOC NUT	4				
25	HSS-0086	SET SCREW	4				
26	802373 01	UPPER RAM MOUNTING W/ASSY	1				
27	HSS-0191	SET SCREW	4				
28	190119 09	WASHER	2				
29	WSH-0061	SPRING WASHER	2				
30	HSS-0188	SET SCREW	2				
31	CIR-0620	CIRCLIP INT 62MM	2				
32	HBK-0010	BULKHEAD	2				
33	HHCC67005	HOSE 5.0Mt	2				
OR	HHCC74605	HOSE 5.7Mt	2				
34	WSH-1005	DOWTY WASHER	8				
35	HMA-0052	ADAPTER	8				
36	FITA10130	TEE FITTING	2				
37	HVB-27000	VALVE DOUBLE PO CHECK	1				
38	HMA-0055	ADAPTER	2				

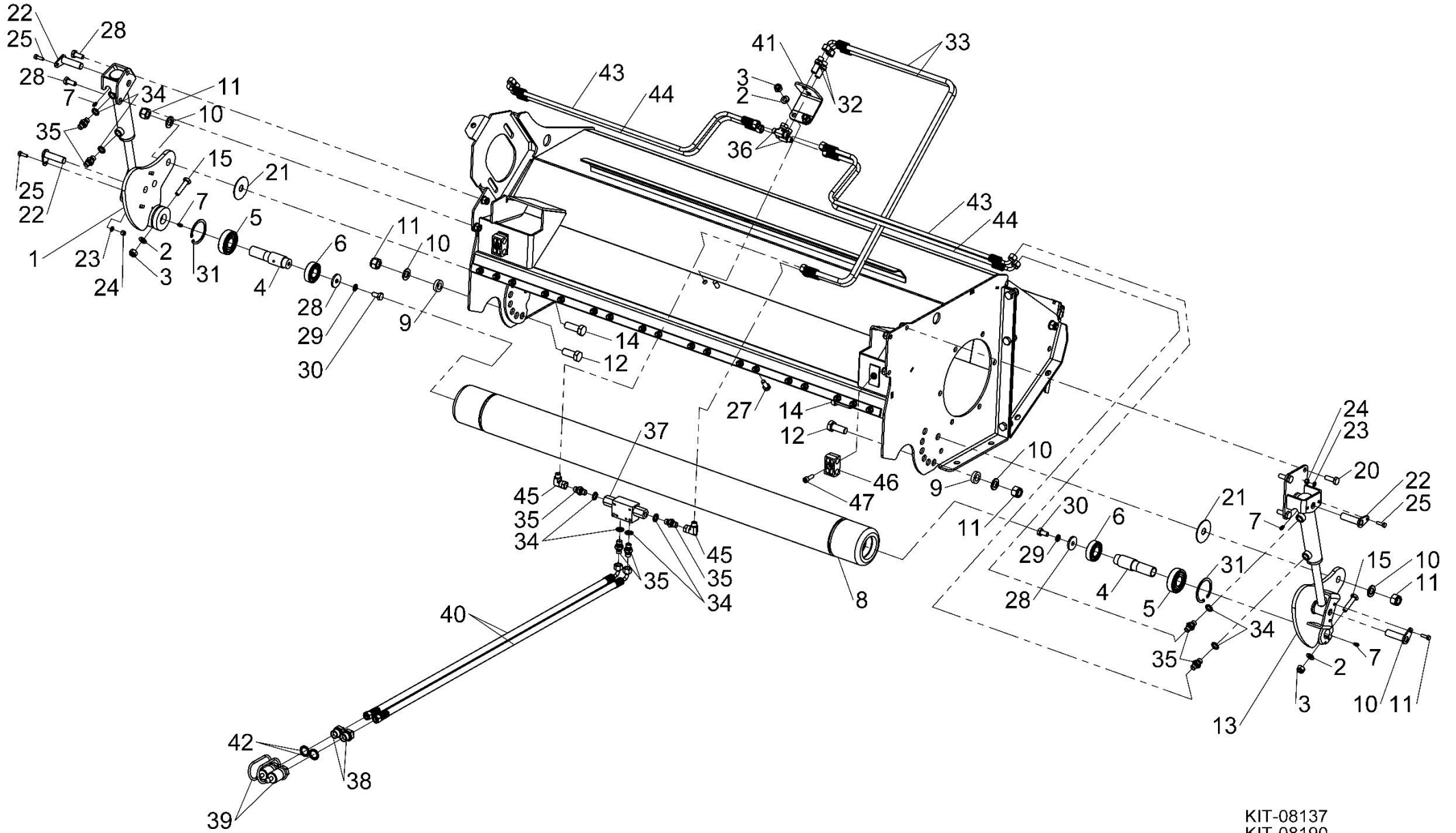


KIT-08137  
KIT-08190



**Shelbourne Reynolds Engineering Limited**

ASSY NUMBER: KIT-08137R				ASSY DESCRIPTION: RH 1.2mt HYDRAULIC ROLLER KIT			
ITEM	PART NO	DESCRIPTION	QTY	ITEM	PART NO	DESCRIPTION	QTY
1	802343 01	LH ADJ. ROLLER PLATE W/ASSY	1	39	COU-0162	QUICK REL COUP	2
2	WSH-0015	PLAIN WASHER	9	40	HHCC15005	HYD HOSE	2
3	NUT-0265	NYLOC NUT	9	41	802797 01	BULKHEAD BRACKET	1
4	802345 01	STUB SHAFT	2	42	WSH-1015	DOWTY WASHER	2
5	BRG-3358	SUPPORT	2	43	HHCC06705	HYD HOSE (RAM TOP)	2
6	BRG-4125	BEARING	2	44	HHCC07705	HYD HOSE (RAM BOT)	2
7	NIP-00600	GREASE NIPPLE	4	45	HALAA0303	ELBOW FITTING	2
8	802346 01	ROLLER TUBE W/ASSY	1	46	SCW-0133	CAP HEAD SCREW	2
9	198800 12	WASHER 17x30x8	2				
10	WSH-0024	PLAIN WASHER FORM A	4				
11	NUT-0271	NYLOC NUT	4		KIT-08137R	5.0Mt BOOM 1.2mt HYDRAULIC ROLLER KIT	
12	HSS-0316	SETSCREW	2		KIT-08137AR	5.7Mt BOOM 1.2mt HYDRAULIC ROLLER KIT	
13	802343 02	RH ADJ. ROLLER PLATE W/ASSY	1				
14	HSS-0317	SET SCREW	2				
15	BLTA10290	BOLT	2				
16	NIP-00610	GREASE NIPPLE	2				
17	RAM-0017A	HYD ROLLER RAM 2020 & ON	2				
OR	RAM-0017	HYD ROLLER RAM UPTO 2020	2				
18							
19	802350 02	UPPER RAM MOUNTING W/ASSY	1				
20	HSS-0194	BOLT	3				
21	198800 14	WASHER 17x60x2	2				
22	802370 01	RAM MOUNTING PIN W/ASSY	4				
23	WSH-0009	PLAIN WASHER FORM A	4				
24	NUT-0260	NYLOC NUT	4				
25	HSS-0086	SET SCREW	4				
26	802373 02	UPPER RAM MOUNTING W/ASSY	1				
27	HSS-0191	SET SCREW	4				
28	190119 09	WASHER	2				
29	WSH-0061	SPRING WASHER	2				
30	HSS-0188	SET SCREW	2				
31	CIR-0620	CIRCLIP INT 62MM	2				
32	HBK-0010	BULKHEAD	2				
33	HHCC67005	HOSE 5.0Mt	2				
OR	HHCC74605	HOSE 5.7Mt	2				
34	WSH-1005	DOWTY WASHER	8				
35	HMA-0052	ADAPTER	8				
36	FITA10130	TEE FITTING	2				
37	HVB-27000	VALVE DOUBLE PO CHECK	1				
38	HMA-0055	ADAPTER	2				

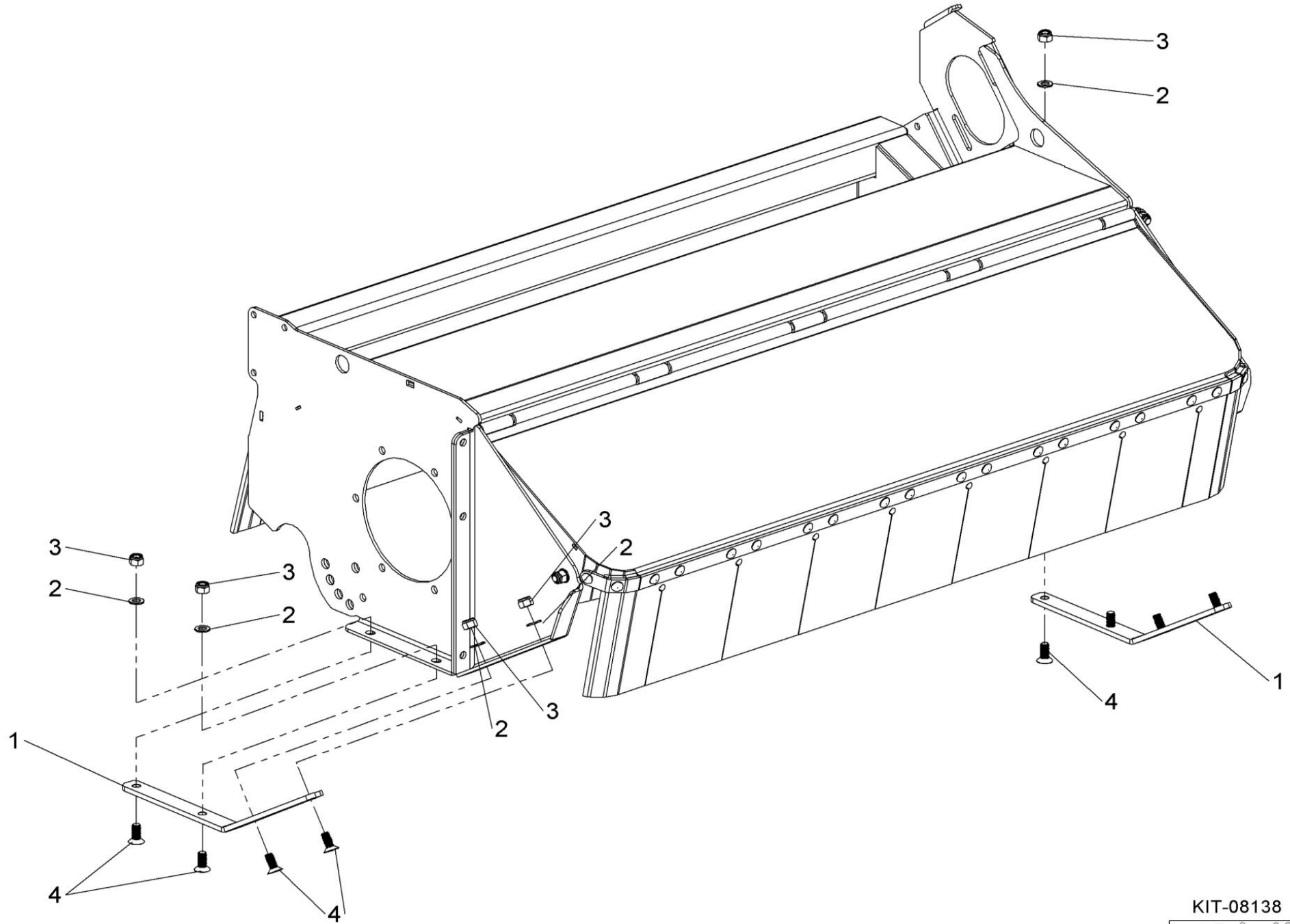


KIT-08137  
KIT-08190



**Shelbourne Reynolds Engineering Limited**

ASSY NUMBER: KIT-08138				ASSY DESCRIPTION: NOSE SKID KIT			
ITEM	PART NO	DESCRIPTION	QTY	ITEM	PART NO	DESCRIPTION	QTY
1	802379 01	SKID PLATE	2				
2	WSH-0018	PLAIN WASHER	8				
3	NUT-0269	NUT	8				
4	SCW-1950	CSK SOCKET HEAD SCREW	8				



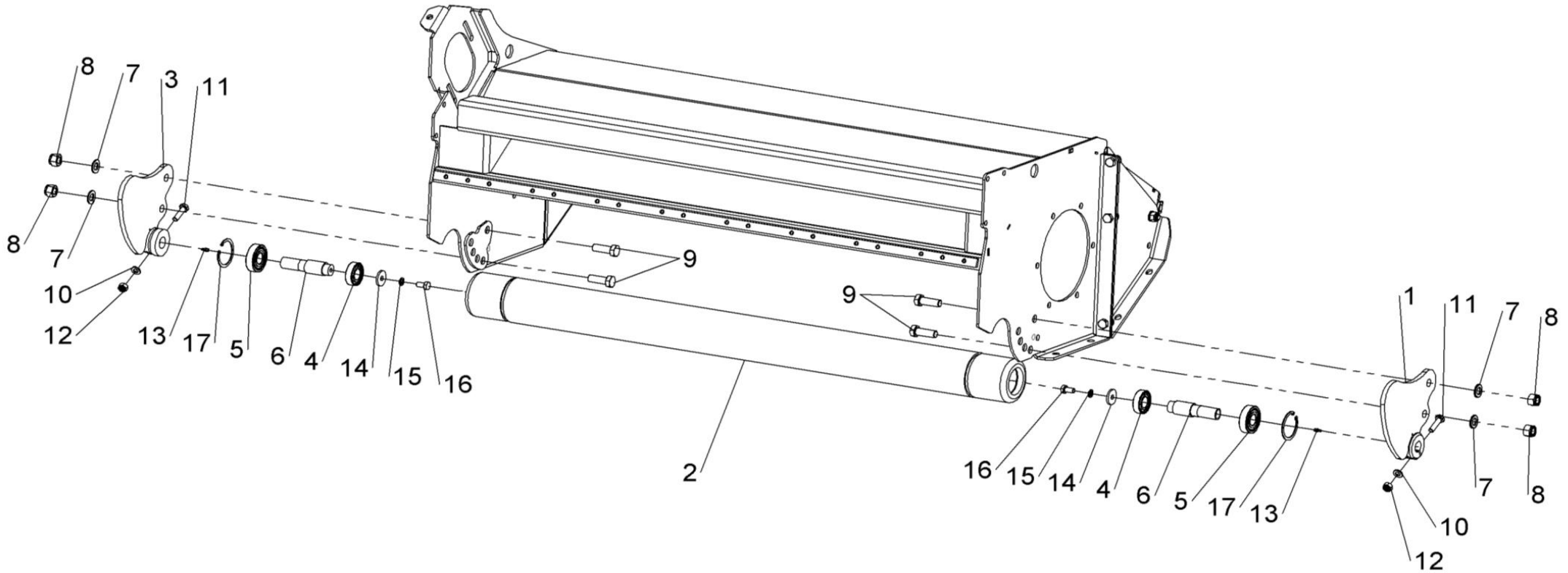
KIT-08138



**Shelbourne Reynolds Engineering Limited**

ASSY NUMBER: KIT-08139				ASSY DESCRIPTION: 1.2mt ROLLER KIT (350 & 450)			
ITEM	PART NO	DESCRIPTION	QTY	ITEM	PART NO	DESCRIPTION	QTY
1	802388 01	RH ADJ.ROLLER.BRKT.W/ASSY	1				
2	802346 01	ROLLER TUBE W/ASSY	1				
3	802388 02	LH ADJ.ROLLER BRKT. W/ASSY	1				
4	BRG-4125	BEARING	2				
5	BRG-3358	SUPPORT	2				
6	802345 01	STUB SHAFT	2				
7	WSH-0024	PLAIN WASHER FORM A	4				
8	NUT-0271	NYLOC NUT	4				
9	HSS-0317	SET SCREW	4				
10	WSH-0015	PLAIN WASHER	2				
11	BLTA10290	BOLT	2				
12	NUT-0265	NYLOC NUT	2				
13	NIP-00600	GREASE NIPPLE	2				
14	190119 09	WASHER	2				
15	WSH-0061	SPRING WASHER	2				
16	HSS-0188	SET SCREW	2				
17	CIR-0620	CIRCLIP INT 62MM	2				





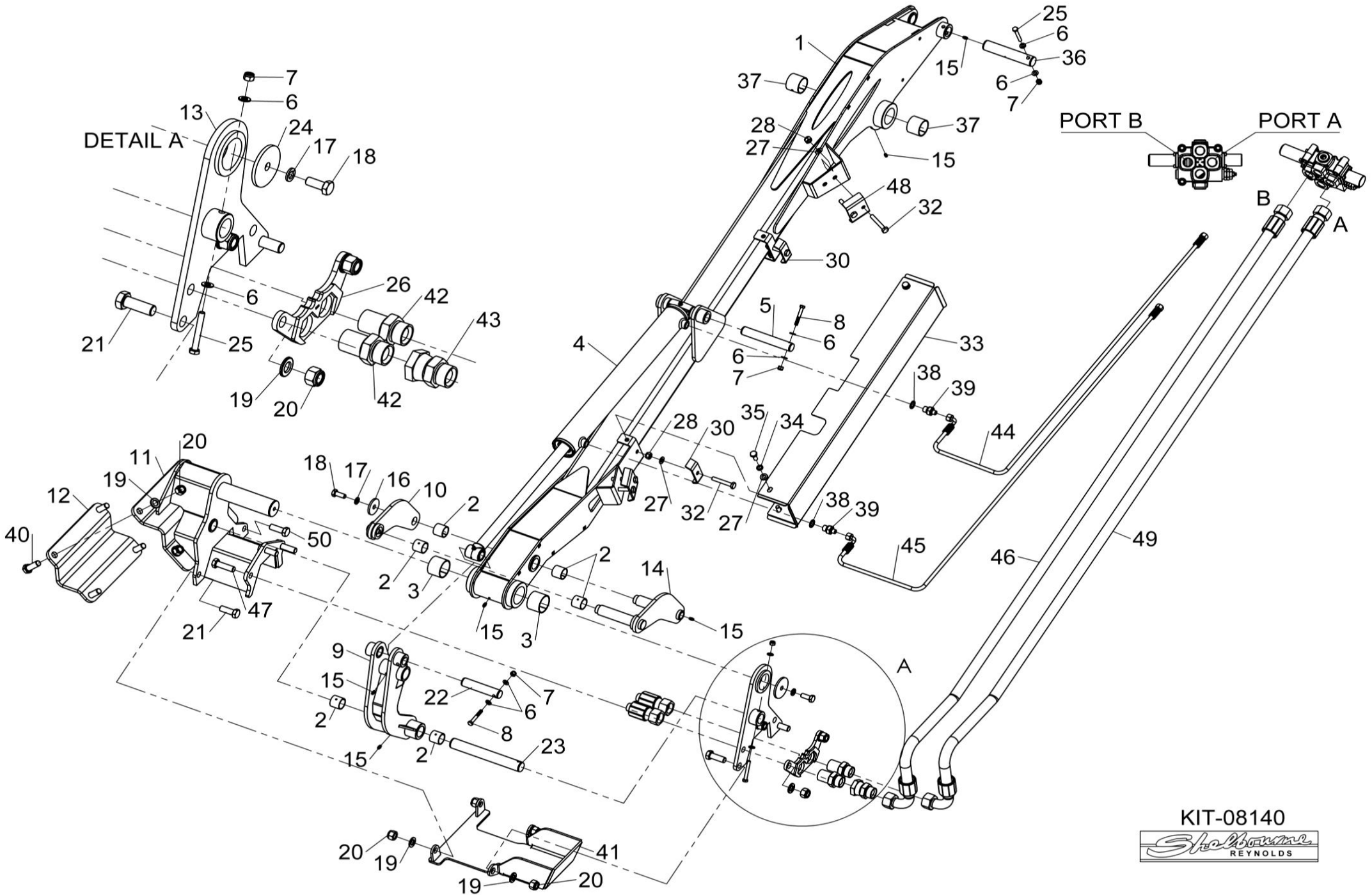
KIT-08139



**Shelbourne Reynolds Engineering Limited**

ASSY NUMBER: KIT-08140				ASSY DESCRIPTION: 5.0Mt OUTER BOOM (350 & 450)			
ITEM	PART NO	DESCRIPTION	QTY	ITEM	PART NO	DESCRIPTION	QTY
1	802391 01	OUTER BOOM W/ASSY	1	39	FIT-0025	ADAPTOR	2
2	BSH-3030	BUSH	6	40	HSS-0318	SETSCREW	4
3	BSHA05062	BUSH	2	41	802870 01	GUARD WA	1
4	807168 01	HEAD ANGLE RAM PB45X221534 & ON	1	42	HAGAA1313	HYD.BULKHEAD ADAPTOR	2
OR	RAM-0018	HEAD ANGLE RAM UPTO PB45X221534	1	43	HACAA1313	HYD ADAPTOR	1
5	800101 31	RAM PIN	1	44	HHCC46105	HYD HOSE (H/A VALVE OUT)	1
6	WSH-0012	PLAIN WASHER FORM A	8	45	HHCC49005	HYD HOSE (H/A VALVE IN)	1
7	NUT-0263	NYLOC NUT	4	46	HHBI53005	HYD HOSE PB45X191105& ON	1
8	BLTA08350	HEX.HEAD BOLT	2	OR	HHBI53505	HYD HOSE UPTO PB45X191105	2
9	802394 01	CURVED LINK W/ASSY	1	47	HSS-0319	SETSCREW	2
10	802397 01	CURVED PLATE W/ASSY	1	48	805927 01	PLATE	2
11	802633 01	PIVOT W/ASSY	1	49	HHBI52005	HYD HOSE PB45X191105 & ON	1
12	802400 01	CLAMP PLATE	1	50	HSS-0316	SET SCREW	1
13	802631 01	RADIUS PLATE W/ASSY	1				
14	802409 01	CURVED LINK W/ASSY	1				
15	NIP-00600	GREASE NIPPLE	6				
16	190119 15	WASHER	2				
17	WSH-0065	SPRING WASHER	3				
18	HSS-0238	BOLT	3				
19	WSH-0024	PLAIN WASHER FORM A	10				
20	NUT-0271	NYLOC NUT	11				
21	HSS-0317	SET SCREW	4				
22	800101 32	RAM PIN	1				
23	800101 34	HEAD ANGLING PIN	1				
24	190119 56	WASHER	1				
25	BLTA08380	HEX.HEAD BOLT	2				
26	802430 01	HOSE MOUNT WA	1				
27	WSH-0015	PLAIN WASHER	10				
28	NUT-0265	NYLOC NUT	6				
29							
30	802523 01	CLAMP PLATE	3				
31							
32	BLTA10410	HEX.HEAD BOLT	7				
33	802484 01	COVER PLATE	1				
34	WSH-0061	SPRING WASHER	4				
35	HSS-0191	SET SCREW	4				
36	800987 14	OUTER BOOM PIN	1				
37	BSHA04562	BUSH	2				
38	WSH-1010	DOWTY WASHER	2				

Shelbourne Reynolds Engineering Limited

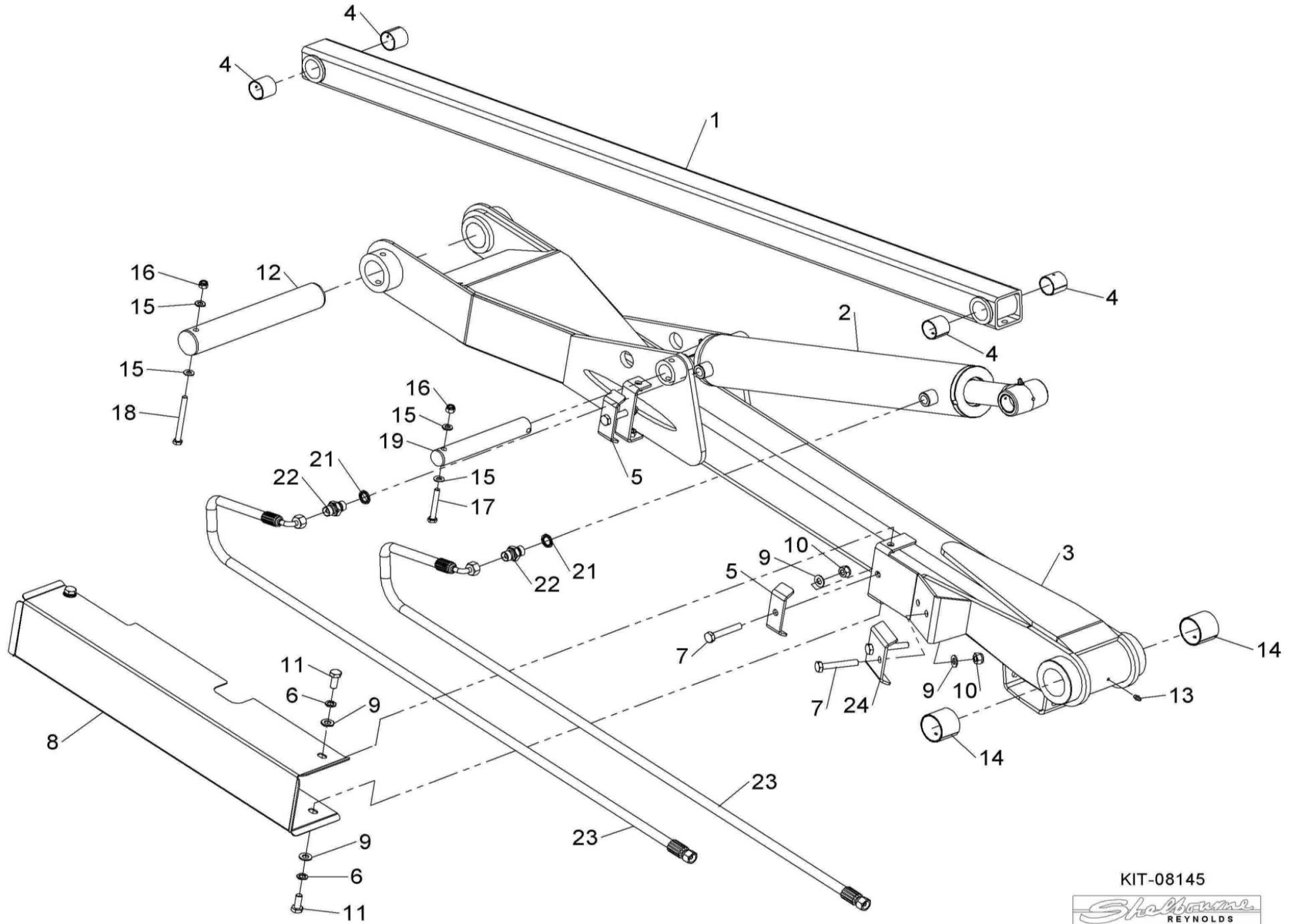


KIT-08140



**Shelbourne Reynolds Engineering Limited**

ASSY NUMBER: KIT-08145				ASSY DESCRIPTION: 5.0Mt INNER BOOM KIT (350 & 450)			
ITEM	PART NO	DESCRIPTION	QTY	ITEM	PART NO	DESCRIPTION	QTY
1	802467 01	TIE ARM W/ASSY	1				
2	807170 01	REACH RAM PB45X221492 & ON	1				
OR	RAM-0020	REACH RAM UPTO PB45X221492	-				
3	802464 01	FIXED BOOM W/ASSY	1				
4	BSH-3030	BUSH	4				
5	802523 01	CLAMP PLATE	2				
6	WSH-0061	WASHER	4				
7	BLTA10410	HEX.HEAD BOLT	4				
8	802531 01	COVER PLATE	1				
9	WSH-0015	WASHER	8				
10	NUT-0265	NUT	34				
11	HSS-0191	SET SCREW	4				
12	800102 16	PIN	1				
13	NIP-00600	GREASE NIPPLE	1				
14	BSHA04562	BUSH	2				
15	WSH-0012	WASHER	4				
16	NUT-0263	NUT	2				
17	BLTA08380	HEX.HEAD BOLT	1				
18	BLTA08530	HEX.HEAD BOLT	1				
19	805762 01	PIN	1				
21	WSH-1010	DOWTY WASHER	2				
22	HMA-0057	ADAPTOR	2				
23	HHBE25005	HOSE	2				
24	805927 01	PLATE	1				

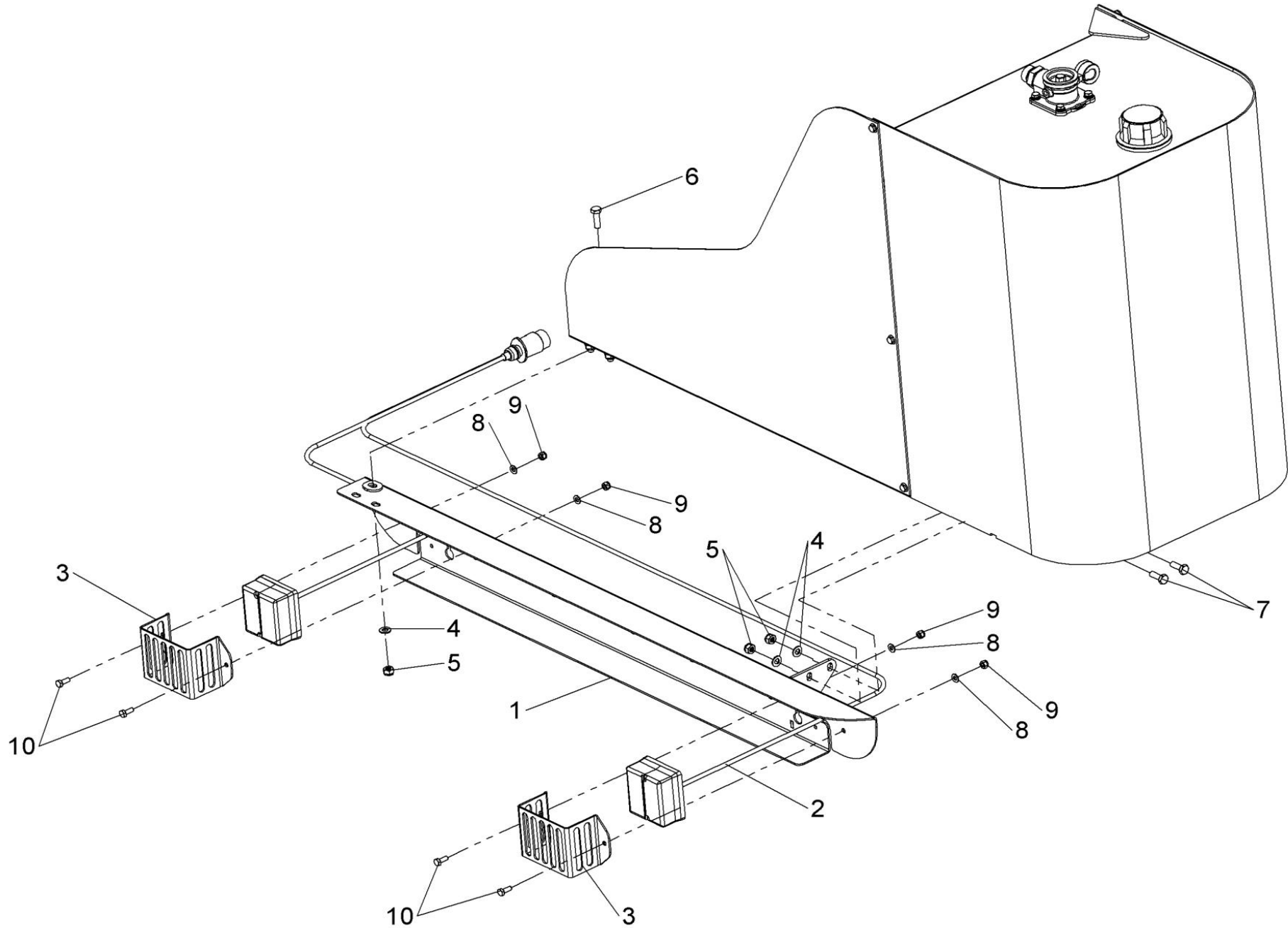


KIT-08145



**Shelbourne Reynolds Engineering Limited**

ASSY NUMBER: KIT-08146				ASSY DESCRIPTION: LIGHTING KIT			
ITEM	PART NO	DESCRIPTION	QTY	ITEM	PART NO	DESCRIPTION	QTY
1	802474 01	LIGHT BOARD W/ASSY	1				
2	800387 14	LIGHT ASSY S/N PB***150490 ON	1				
OR	800387 11	2012 TO S/N PB***150490					
OR	800387 01	UPTO 2012	-				
2A	LMP-10411	LAMP CLUSTER (PB**150490 & ON)					
OR	LMP-10409	LAMP CLUSTER (SPARES 2012 TO PB**150490)	-				
OR	LMP-10401	LAMP CLUSTER (SPARES UPTO 2012)	-				
2B	LMP-10002	LENS (SPARES UPTO 2012)	-				
2C	BLB-0015	BULB-INDICATOR (SPARES UPTO 2012)	-				
2D	BLB-0020	BULB-STOP/TAIL (SPARES UPTO 2012)	-				
2E	PLG-0005	7 PIN PLUG (SPARES)	-				
3	802524 01	LIGHT GUARD	2				
4	WSH-0015	PLAIN WASHER	3				
5	NUT-0265	NYLOC NUT	3				
6	HSS-0198	BOLT	1				
7	HSS-0194	BOLT	2				
8	WSH-0012	PLAIN WASHER FORM A	4				
9	NUT-0263	NYLOC NUT	4				
10	HSS-0140	BOLT	4				



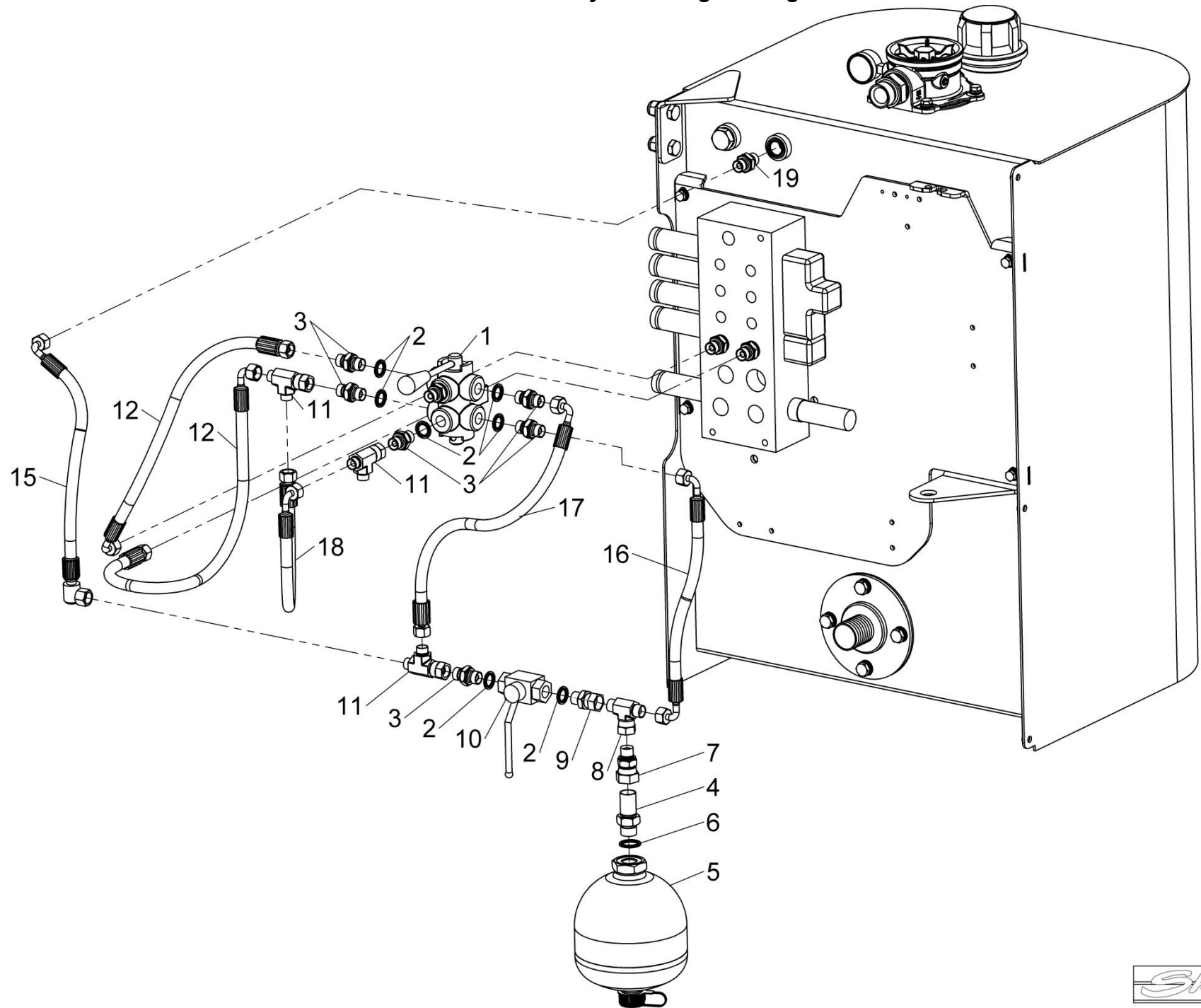
KIT-08146



**Shelbourne Reynolds Engineering Limited**

ASSY NUMBER: KIT-08147				ASSY DESCRIPTION: MANUAL ARM FLOAT KIT (350 & 450)			
ITEM	PART NO	DESCRIPTION	QTY	ITEM	PART NO	DESCRIPTION	QTY
1	HVB-01540	6 WAY FLOW DIVERTER VALVE	1				
2	WSH-1010	DOWTY WASHER	8				
3	HMA-0057	ADAPTOR	7				
4	HAGAA0707	BULKHEAD	1				
5	HYA-01440	ACCUMLATOR	1				
6	WSH-1015	DOWTY WASHER	2				
7	FIT-0240	ADAPTOR	1				
8	FITA10140	TEE FITTING	1				
9	HACAA0505	ADAPTOR	1				
10	21303109	HIGH PRESSURE BALL VALVE	1				
11	FITA10410	TEE FITTING	3				
12	HHBE05005	HOSE	2				
13	801418 01	TRANSFER - MANUAL ARM FLOAT	1				
14	801417 01	TRANSFER - ACCUMULATOR	1				
15	HHJE03305	HOSE	1				
16	HHEE02505	HOSE	1				
17	HHBE04505	HOSE	1				
18	HHBE04005	HOSE	1				
19	HMA-0065	ADAPTOR	1				

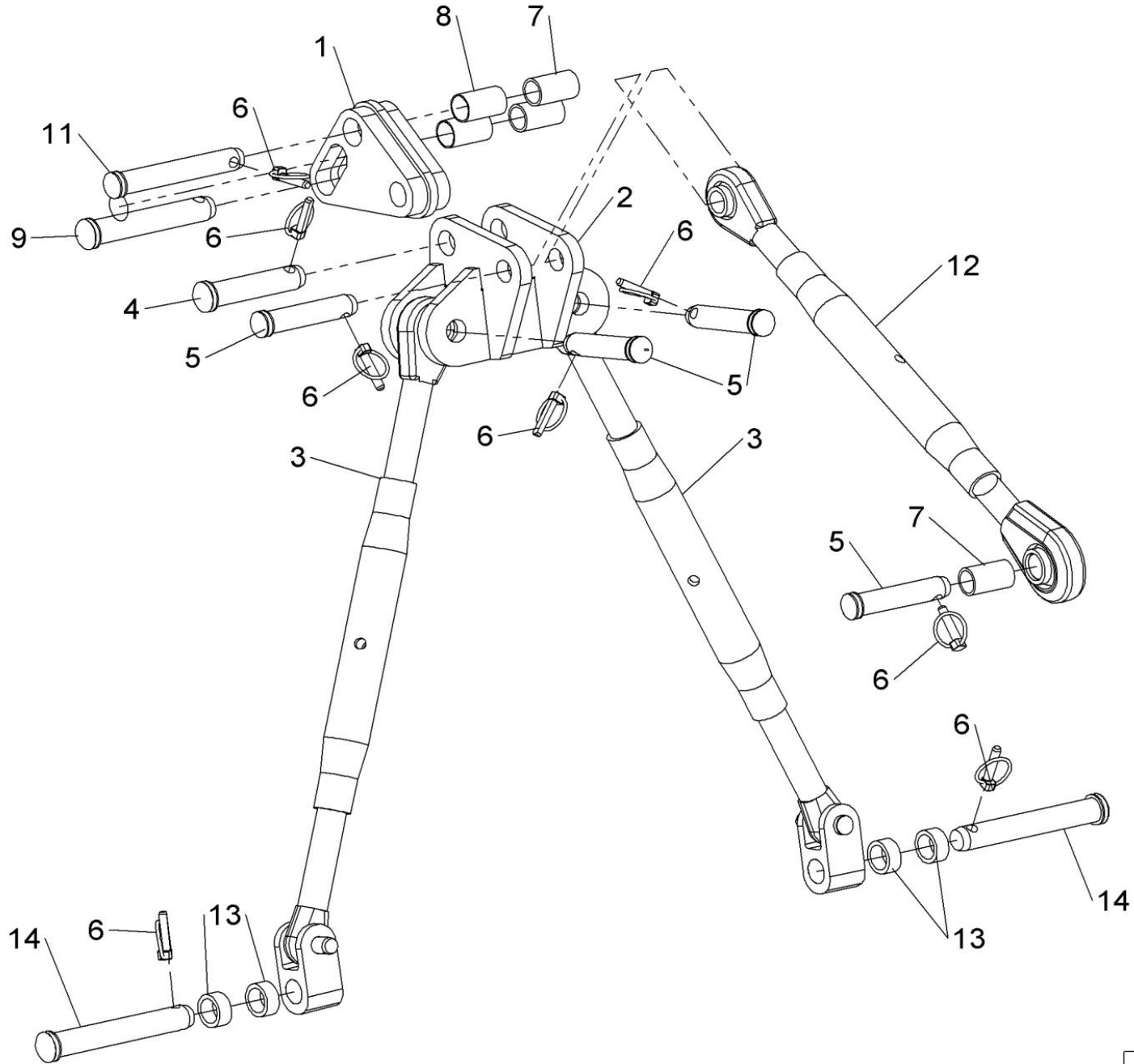




**Shelbourne Reynolds Engineering Limited**

SSY NUMBER: KIT-08148				ASSY DESCRIPTION: STABILISER KIT - 3 POINT LINKA			
ITEM	PART NO	DESCRIPTION	QTY	ITEM	PART NO	DESCRIPTION	QTY
1	802541 01	ROCKER W/ASSY	1				
2	802542 01	3 POINT YOKE W/ASSY	1				
3	ADL-04500	ADJUSTABLE TOP LINK ASSEMBLY	2				
4	800199 05	PIN	1				
5	800198 01	PIN	4				
6	PIN-01950	LYNCH PIN	10				
7	800197 01	SPACER	3				
8	800197 02	SPACER	2				
9	800199 04	PIN	1				
10	801539 01	TOP LINK PIN JD	1				
11	800198 02	TOP LINK PIN	1				
12	ADL-13570	TOP LINK CAT 2/2	1				
13	800934 01	SPACER	4				
14	800199 06	PIN	2				

USE EITHER 8 OR 7



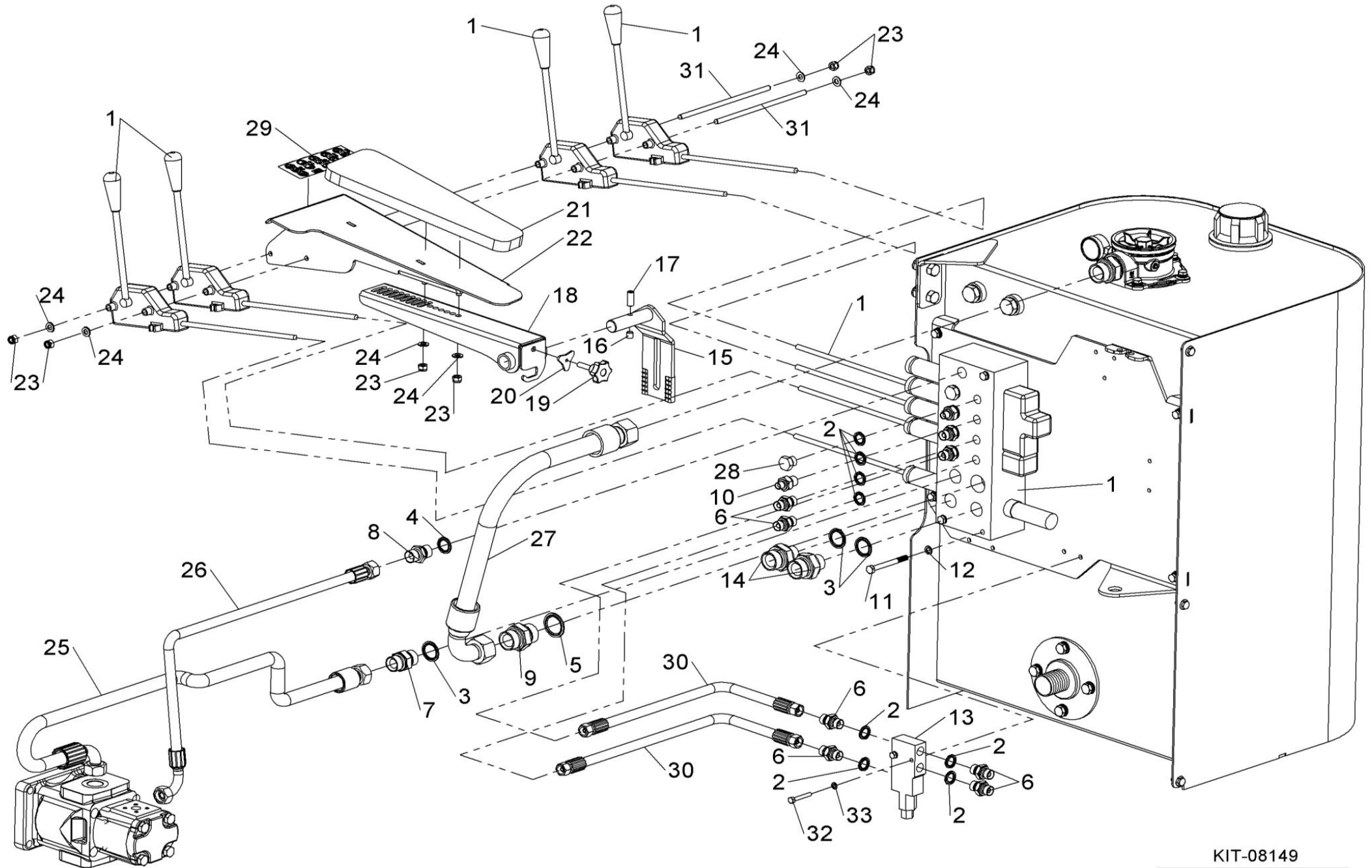
KIT-08148



**Shelbourne Reynolds Engineering Limited**

ASSY NUMBER: KIT-08149				ASSY DESCRIPTION: 3 CABLE CONTROL KIT (3 + 1) (350)			
ITEM	PART NO	DESCRIPTION	QTY	ITEM	PART NO	DESCRIPTION	QTY
1	HVB-09095	MAIN CABLE CONTROL VALVE ASSY	1	34	803217 01	CABLE CONTROL MTG PLATE (KIT-08149A ONLY)	1
1A	HVB-09095A	MAIN VALVE (SPARES)	-				
1B	HVB-09095B	CABLE ADAPTOR KIT (SPARES)	-				
1C	HVB-09095C	LEVER CONTROL HANDLE (SPARES)	-				
1D	HVB-09095D	CABLE ADAPTOR KIT (SPARES)	-				
1E	HVB-09095E	LEVER CONTROL HANDLE (SPARES)	-				
1F	HVB-09095F	REMOTE CABLE 3.5Mt LG	-				
2	WSH-1010	DOWTY WASHER	12				
3	WSH-1020	DOWTY WASHER	3				
4	WSH-1015	DOWTY WASHER	1				
5	WSH-1025	DOWTY WASHER	1				
6	HMA-0057	ADAPTOR	8		KIT-08149A	3 CABLE CONTROL KIT (3+1/350) LESS ARMREST BRACKETS	
7	HMA-0074	ADAPTOR	1				
8	HMA-0067	ADAPTOR	1				
9	FIT-0546	ADAPTOR	1				
10	190859 01	ADAPTOR	2				
11	BLTA08500	BOLT	3				
12	WSH-0058	WASHER SPRING	3				
13	HVB-29505	OVER CENTRE VALVE	1				
14	HMA-0075	ADAPTOR	2				
15	801121 01	ARM REST FIXING BRACKET	1				
16	SCW-4590	GRUB SCREW	1				
17	SCGA10178	GRUB SCREW	1				
18	802218 01	ARM REST MOUNTING	1				
19	KNO-0002	PLASTIC KNOB	1				
20	801100 01	LOCKING PLATE	1				
21	802242 01	FOAM PAD	1				
22	802569 01	ARM REST W/A	1				
23	NUT-0263	NYLOC NUT	6				
24	WSH-0012	WASHER	6				
25	HHBH06105	HOSE	1				
26	HHBF05505	HOSE	1				
27	HHBI05705	HOSE	1				
28	FIT-0251	BLANKING PLUG	2				
29	802572 01	TRANSFER	1				
30	HHBE05005	HOSE	2				
31	802904 01	THREADED BAR	2				
32	BLTA06260	BOLT	2				
33	WSH-0056	WASHER	2				

**Shelbourne Reynolds Engineering Limited**

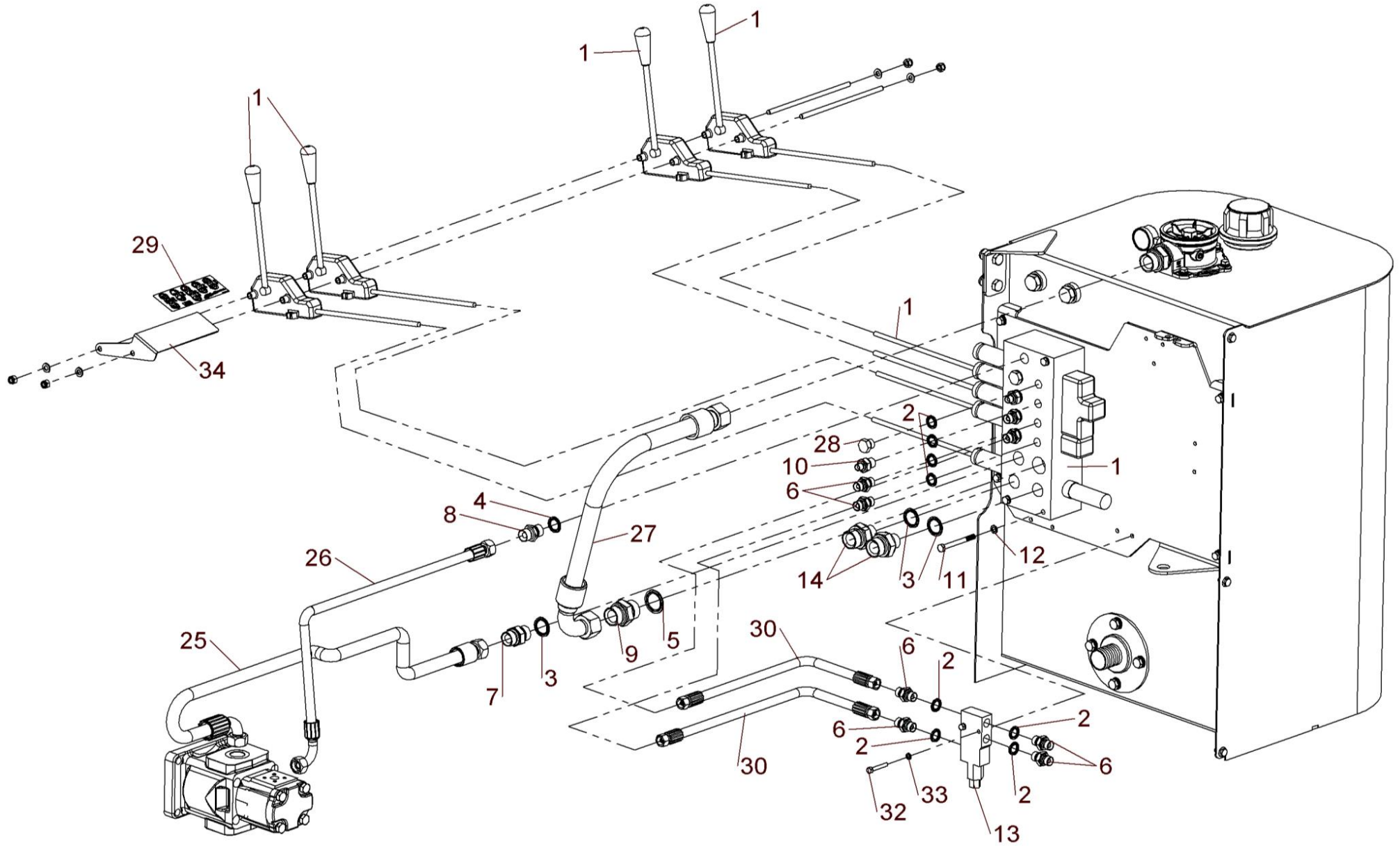


KIT-08149



**Shelbourne Reynolds Engineering Limited**

ASSY NUMBER: KIT-08149a				ASSY DESCRIPTION: 3 CABLE CONTROL KIT (3 + 1) (350)			
ITEM	PART NO	DESCRIPTION	QTY	ITEM	PART NO	DESCRIPTION	QTY
1	HVB-09095	MAIN CABLE CONTROL VALVE ASSY	1	34	803217 01	CABLE CONTROL MTG PLATE	1
1A	HVB-09095A	MAIN VALVE (SPARES)	-				
1B	HVB-09095B	CABLE ADAPTOR KIT (SPARES)	-				
1C	HVB-09095C	LEVER CONTROL HANDLE (SPARES)	-				
1D	HVB-09095D	CABLE ADAPTOR KIT (SPARES)	-				
1E	HVB-09095E	LEVER CONTROL HANDLE (SPARES)	-				
1F	HVB-09095F	REMOTE CABLE 3.5Mt LG	-				
2	WSH-1010	DOWTY WASHER	12				
3	WSH-1020	DOWTY WASHER	3				
4	WSH-1015	DOWTY WASHER	1				
5	WSH-1025	DOWTY WAHER	1				
6	HMA-0057	ADAPTOR	8				
7	HMA-0074	ADAPTOR	1				
8	HMA-0067	ADAPTOR	1				
9	FIT-0546	ADAPTOR	1				
10	190859 01	ADAPTOR	2				
11	BLTA08500	BOLT	3				
12	WSH-0058	WASHER SPRING	3				
13	HVB-29505	OVER CENTRE VALVE	1				
14	HMA-0075	ADAPTOR	2				
15							
16							
17							
18							
19							
20							
21							
22							
23							
24							
25	HHBH06105	HOSE	1				
26	HHBF05505	HOSE	1				
27	HHBI05705	HOSE	1				
28	FIT-0251	BLANKING PLUG	2				
29	802572 01	TRANSFER	1				
30	HHBE05005	HOSE	2				
31							
32	BLTA06260	BOLT	2				
33	WSH-0056	WASHER	2				



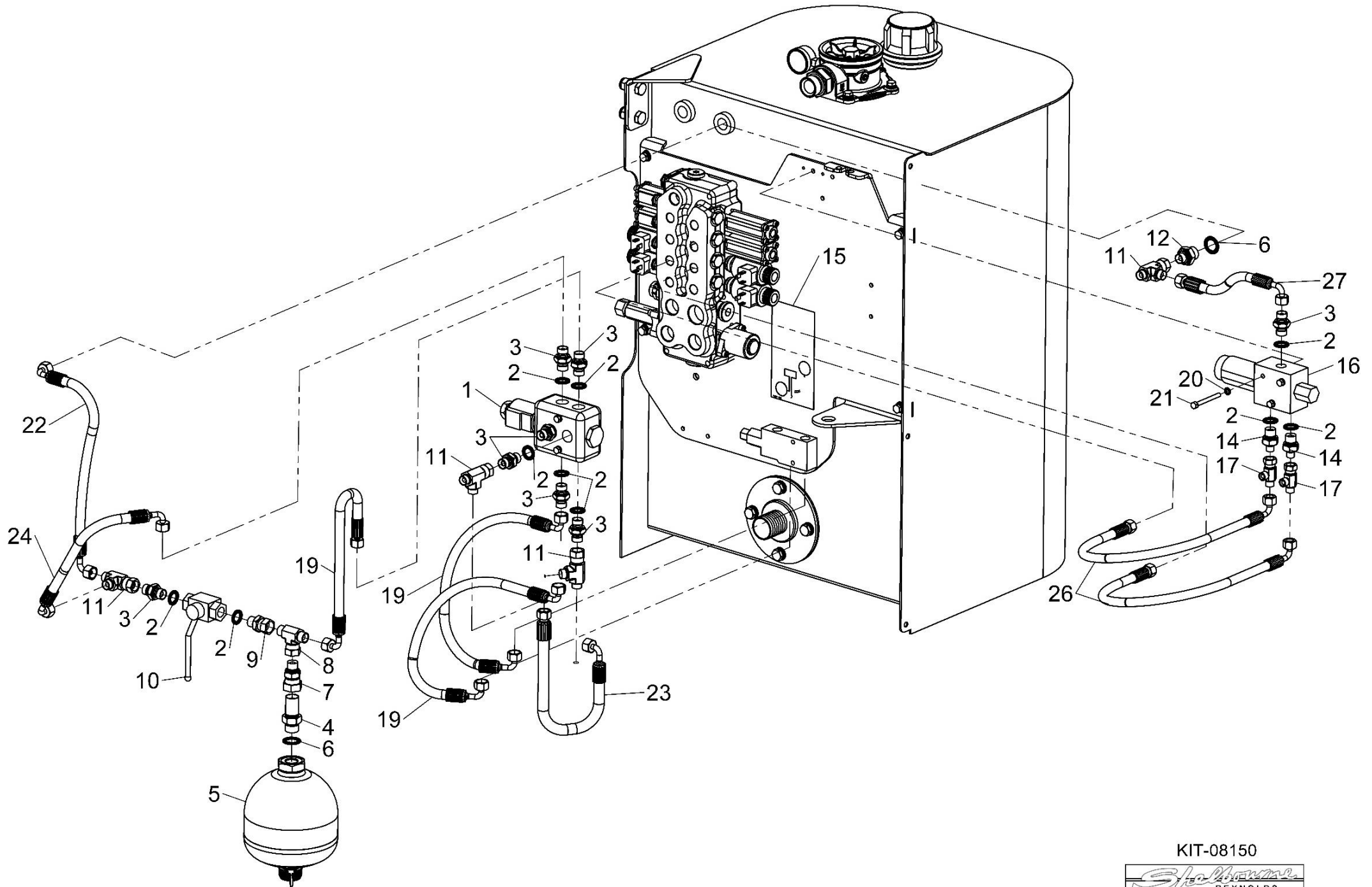
KIT-08149a



**Shelbourne Reynolds Engineering Limited**

ASSY NUMBER: KIT-08150				ASSY DESCRIPTION: ELECTRIC ARM & HEAD FLOAT KIT (200, 300, 400)			
ITEM	PART NO	DESCRIPTION	QTY	ITEM	PART NO	DESCRIPTION	QTY
1	HVB-10915	SOLENOID DIVERTER VALVE 6 PORT	1				
2	WSH-1010	DOWTY WASHER	11				
3	HMA-0057	ADAPTOR	8				
4	HAGAA0707	BULKHEAD	1				
5	HYA-01440	ACCUMLATOR	1				
6	WSH-1015	DOWTY WASHER	2				
7	FIT-0240	ADAPTOR	1				
8	FITA10140	TEE FITTING	1				
9	HACAA0505	ADAPTOR	1				
10	21303109	HIGH PRESSURE BALL VALVE	1				
11	FITA10410	TEE FITTING	4				
12	HMA-0065	ADAPTOR	1				
13							
14	FIT-0025	ADAPTOR	2				
15	801417 01	TRANSFER - ACCUMULATOR	1				
16	HVB-10910	SOLENOID DIVERTER VALVE 3 PORT	1				
17	FITA10480	TEE FITTING	2				
18	HALAA0505	ADAPTOR	2				
19	HHBE05005	HOSE	3				
20	WSH-0056	SPRING WASHER	5				
21	BLTA06380	BOLT	5				
22	HHJE03305	HOSE	1				
23	HHBE03005	HOSE	1				
24	HHEE02805	HOSE	1				
25							
26	HHBC06405	HOSE	2				
27	HHEE03005	HOSE	1				





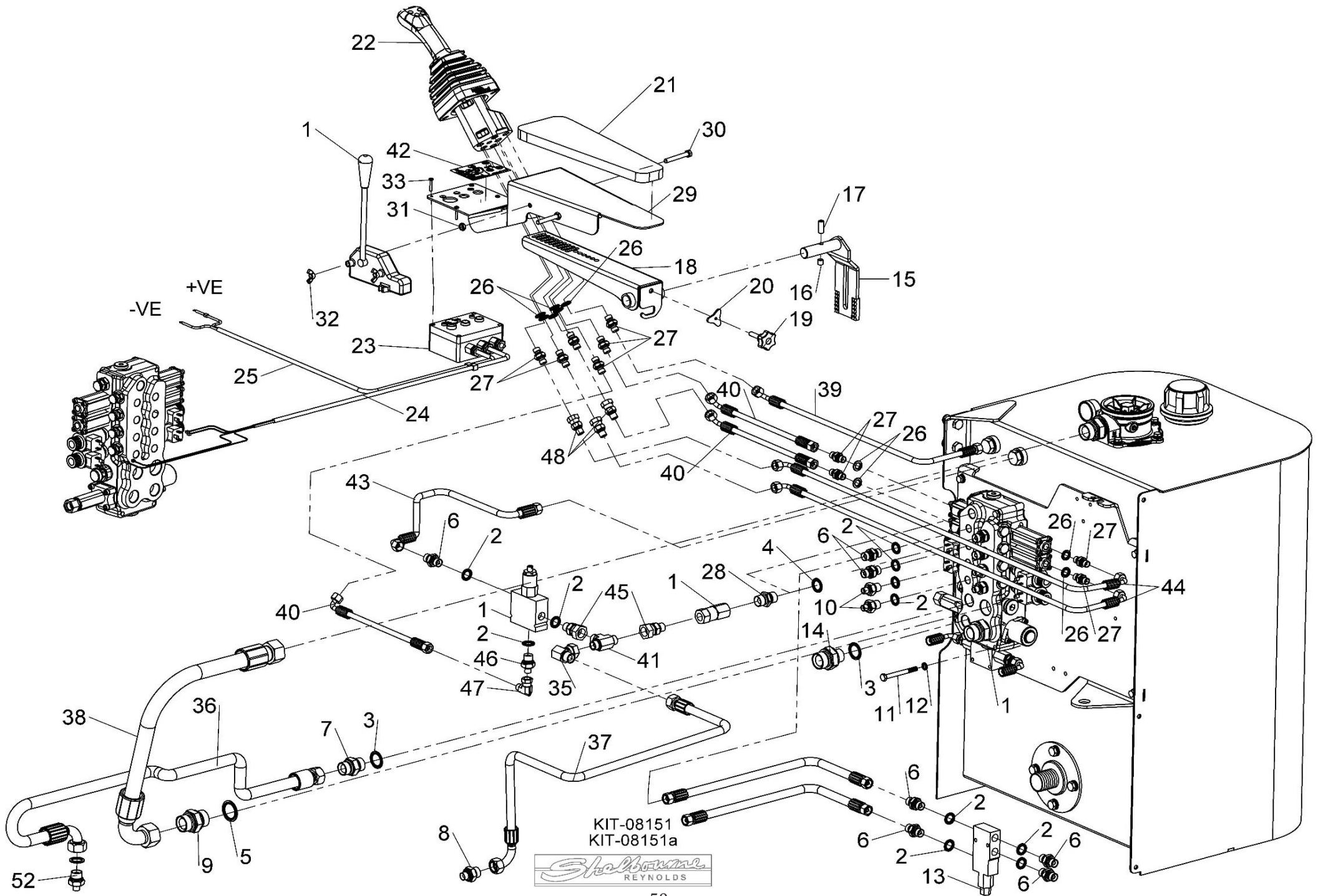
KIT-08150



**Shelbourne Reynolds Engineering Limited**

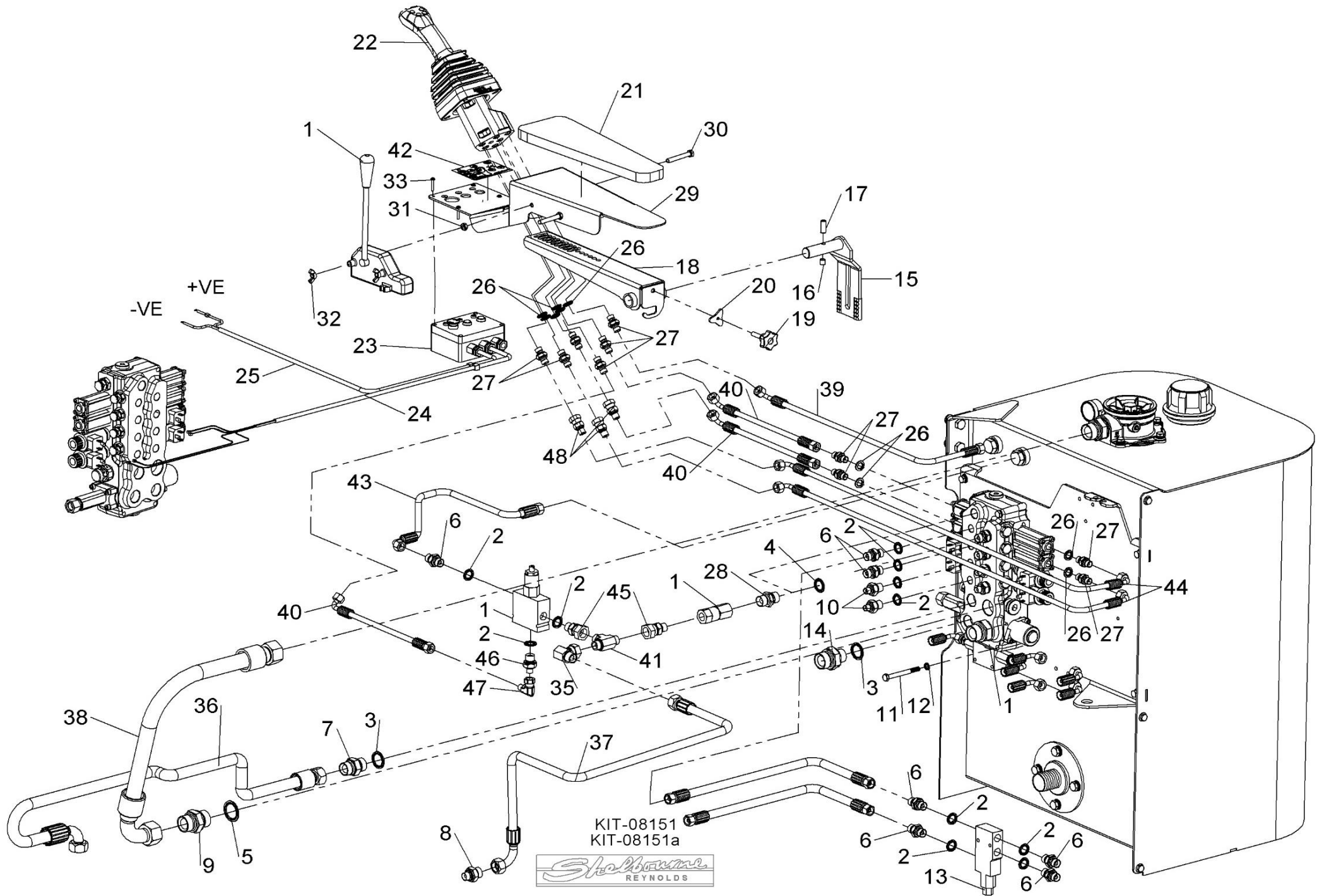
ASSY NUMBER: KIT-08151				ASSY DESCRIPTION: OIL/OIL CONTROLS KIT (4 SERVICE) (450)			
ITEM	PART NO	DESCRIPTION	QTY	ITEM	PART NO	DESCRIPTION	QTY
1	HVB-49020	MAIN OIL/OIL VALVE ASSY	1	35	HALAA0707	ELBOW	1
1A	HVB-49020A	MAIN VALVE (SPARES)	-	36	HHBH06105	HOSE	1
1B	HVB-09095B	CABLE ADAPTOR KIT (SPARES)	-	37	HHBF05505	HOSE	1
1C	HVB-09095C	LEVER CONTROL HANDLE (SPARES)	-	38	HHBI05705	HOSE	1
1D	HVB-09095F	REMOTE CABLE 3.5Mt LG	-	39	HHBC39005	HOSE	1
1E	HVB-49020B	CHECK VALVE	-	40	HHBC35005	HOSE	3
1F	HVB-49020C	PRESSURE REDUCING VALVE	-	41	FITA10050	TEE FITTING	1
2	WSH-1010	DOWTY WASHER	15	42	802630 01	JOY-10005 CONTROL DECAL	1
3	WSH-1020	DOWTY WASHER	3	43	HHBE03305	HOSE	1
4	WSH-1015	DOWTY WASHER	2	44	HHEC39005	HOSE	2
5	WSH-1025	DOWTY WASHER	1	45	FIT-0240	ADAPTOR	2
6	HMA-0057	ADAPTOR	9	46	FIT-0025	ADAPTOR	1
7	HMA-0074	ADAPTOR	1	47	HALAA0303	ELBOW	1
8	HMA-0065	ADAPTOR	1	48	FIT-0520	ADAPTOR	2
9	FIT-0546	ADAPTOR	1	49	HHBE05005	HOSE	2
10	190859 01	ADAPTOR	4	50	BLTA06260	BOLT	2
11	BLTA08500	BOLT	3	51	WSH-0056	WASHER	2
12	WSH-0058	WASHER SPRING	3	52	HMA-0055	ADAPTOR	1
13	HVB-29505	OVER CENTRE VALVE	1				
14	HMA-0075	ADAPTOR	2				
15	801121 01	ARM REST FIXING BRACKET	1				
16	SCW-4590	GRUB SCREW	1				
17	SCGA10178	GRUB SCREW	1				
18	802218 01	ARM REST MOUNTING	1				
19	KNO-0002	PLASTIC KNOB	1				
20	801100 01	LOCKING PLATE	1				
21	802242 01	FOAM PAD	1				
22	JOY-10005	JOYSTICK	1				
23	802562 01	JOYSTICK BOX	1				
24	802563 01	MACHINE LOOM	1				
25	802561 01	POWER LEAD	1				
26	WSH-1005	DOWTY WASHER	10				
27	HMA-0052	ADAPTOR	10				
28	HMA-0067	ADAPTOR	1				
29	802801 01	ARM REST	1				
30	HSSA08380	SETSCREW	2				
31	NUT-0164	PLAIN NUT	2				
32	NUT-0209	WING NUT	2				
33	SCFC04170	PAN HEAD SCREW	4				
34							

Shelbourne Reynolds Engineering Limited



### Shelbourne Reynolds Engineering Limited

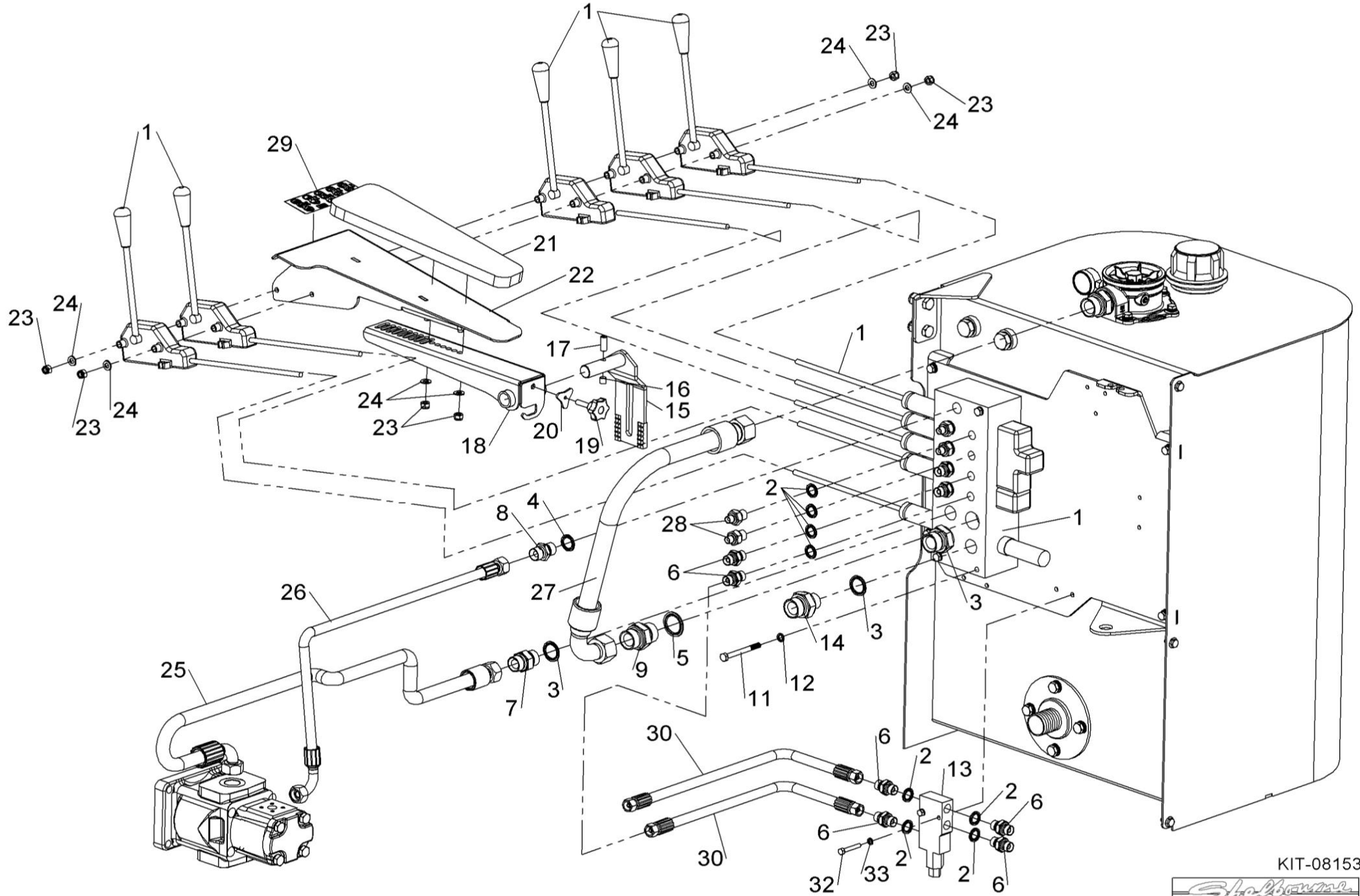
ASSY NUMBER: KIT-08151a				ASSY DESCRIPTION: OIL/OIL CONTROLS KIT (4 SERVICE) (450)			
ITEM	PART NO	DESCRIPTION	QTY	ITEM	PART NO	DESCRIPTION	QTY
1	HVB-49020	MAIN OIL/OIL VALVE ASSY	1	35	HALAA0707	ELBOW	1
1A	HVB-49020A	MAIN VALVE (SPARES)	-	36	HHBH06105	HOSE	1
1B	HVB-09095B	CABLE ADAPTOR KIT (SPARES)	-	37	HHBF05505	HOSE	1
1C	HVB-09095C	LEVER CONTROL HANDLE (SPARES)	-	38	HHBI05705	HOSE	1
1D	HVB-09095F	REMOTE CABLE 3.5Mt LG	-	39	HHBC39005	HOSE	1
1E	HVB-49020B	CHECK VALVE	-	40	HHBC35005	HOSE	3
1F	HVB-49020C	PRESSURE REDUCING VALVE	-	41	FITA10050	TEE FITTING	1
2	WSH-1010	DOWTY WASHER	15	42	802630 01	JOY-10005 CONTROL DECAL	1
3	WSH-1020	DOWTY WASHER	3	43	HHBE03305	HOSE	1
4	WSH-1015	DOWTY WASHER	2	44	HHEC39005	HOSE	2
5	WSH-1025	DOWTY WASHER	1	45	FIT-0240	ADAPTOR	2
6	HMA-0057	ADAPTOR	9	46	FIT-0025	ADAPTOR	1
7	HMA-0074	ADAPTOR	1	47	HALAA0303	ELBOW	1
8	HMA-0065	ADAPTOR	1	48	FIT-0520	ADAPTOR	2
9	FIT-0546	ADAPTOR	1	49	HHBE05005	HOSE	2
10	190859 01	ADAPTOR	4	50	BLTA06260	BOLT	2
11	BLTA08500	BOLT	3	51	WSH-0056	WASHER	2
12	WSH-0058	WASHER SPRING	3	52	HMA-0055	ADAPTOR	1
13	HVB-29505	OVER CENTRE VALVE	1				
14	HMA-0075	ADAPTOR	2				
15							
16							
17							
18							
19							
20							
21	802242 01	FOAM PAD	1				
22	JOY-10005	JOYSTICK	1				
23	802562 01	JOYSTICK BOX	1				
24	802563 01	MACHINE LOOM	1				
25	802561 01	POWER LEAD	1				
26	WSH-1005	DOWTY WASHER	10				
27	HMA-0052	ADAPTOR	10				
28	HMA-0067		1				
29	802801 01	ARM REST	1				
30	HSSA08380	SETSCREW	2				
31	NUT-0164	PLAIN NUT	2				
32	NUT-0209	WING NUT	2				
33	SCFC04170	PAN HEAD SCREW	4				
34							



**Shelbourne Reynolds Engineering Limited**

ASSY NUMBER: KIT-08153				ASSY DESCRIPTION: 4 CABLE CONTROL KIT (4 + 1) (450)			
ITEM	PART NO	DESCRIPTION	QTY	ITEM	PART NO	DESCRIPTION	QTY
1	HVB-09100	MAIN CABLE CONTROL VALVE ASSY	1	34			
1A	HVB-09095A	MAIN VALVE (SPARES)	-				
1B	HVB-09095B	CABLE ADAPTOR KIT (SPARES)	-				
1C	HVB-09095C	LEVER CONTROL HANDLE (SPARES)	-				
1D	HVB-09095D	CABLE ADAPTOR KIT (SPARES)	-				
1E	HVB-09095E	LEVER CONTROL HANDLE (SPARES)	-				
1F	HVB-09095F	REMOTE CABLE 3.5Mt LG	-				
2	WSH-1010	DOWTY WASHER	12				
3	WSH-1020	DOWTY WASHER	3				
4	WSH-1015	DOWTY WASHER	1				
5	WSH-1025	DOWTY WASHER	1				
6	HMA-0057	ADAPTOR	8				
7	HMA-0074	ADAPTOR	1				
8	HMA-0067	ADAPTOR	1				
9	FIT-0546	ADAPTOR	1				
10							
11	BLTA08500	BOLT	3				
12	WSH-0058	WASHER SPRING	3				
13	HVB-29505	OVER CENTRE VALVE	1				
14	HMA-0075	ADAPTOR	2				
15	801121 01	ARM REST FIXING BRACKET	1				
16	SCW-4590	GRUB SCREW	1				
17	SCGA10178	GRUB SCREW	1				
18	802218 01	ARM REST MOUNTING	1				
19	KNO-0002	PLASTIC KNOB	1				
20	801100 01	LOCKING PLATE	1				
21	802242 01	FOAM PAD	1				
22	802569 01	ARM REST W/A	1				
23	NUT-0263	NYLOC NUT	6				
24	WSH-0012	WASHER	6				
25	HHBH06105	HOSE	1				
26	HHBF05505	HOSE	1				
27	HHBI05705	HOSE	1				
28	190859 01	ADAPTOR	4				
29	802572 01	TRANSFER	1				
30	HHBE05005	HOSE	2				
31	802903 01	THREADED BAR	2				
32	BLTA06260	BOLT	2				
33	WSH-0056	WASHER	2				

Shelbourne Reynolds Engineering Limited



KIT-08153

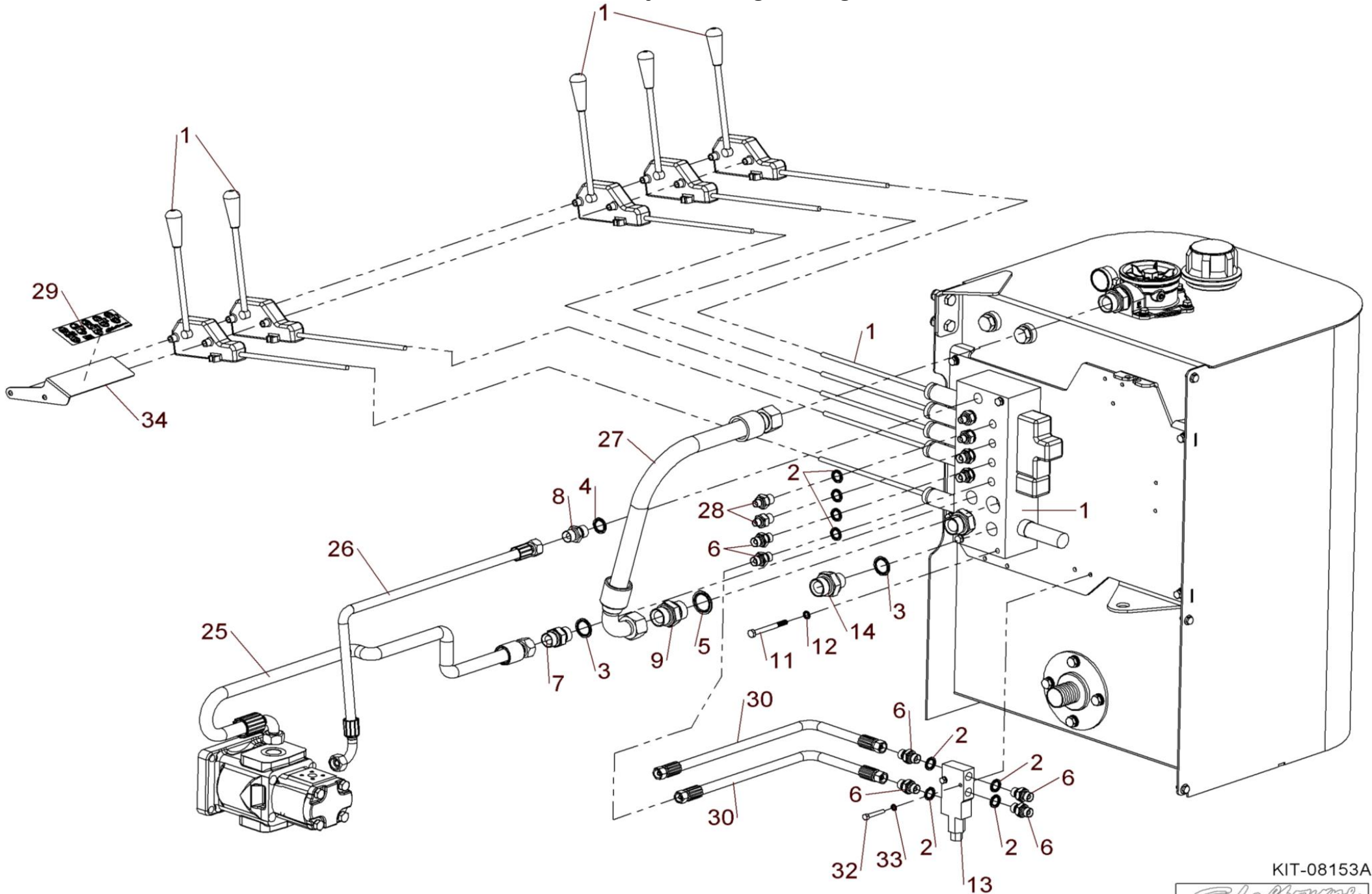


**Shelbourne Reynolds Engineering Limited**

ASSY NUMBER: KIT-08153a				ASSY DESCRIPTION: 4 CABLE CONTROL KIT (4 + 1) (450)			
ITEM	PART NO	DESCRIPTION	QTY	ITEM	PART NO	DESCRIPTION	QTY
1	HVB-09100	MAIN CABLE CONTROL VALVE ASSY	1	34	803217 01	CABLE CONTROL MTG PLATE	1
1A	HVB-09095A	MAIN VALVE (SPARES)	-			(KIT-08153A ONLY)	
1B	HVB-09095B	CABLE ADAPTOR KIT (SPARES)	-				
1C	HVB-09095C	LEVER CONTROL HANDLE (SPARES)	-				
1D	HVB-09095D	CABLE ADAPTOR KIT (SPARES)	-				
1E	HVB-09095E	LEVER CONTROL HANDLE (SPARES)	-				
1F	HVB-09095F	REMOTE CABLE 3.5Mt LG	-				
2	WSH-1010	DOWTY WASHER	12				
3	WSH-1020	DOWTY WASHER	3				
4	WSH-1015	DOWTY WASHER	1				
5	WSH-1025	DOWTY WASHER	1				
6	HMA-0057	ADAPTOR	8				
7	HMA-0074	ADAPTOR	1				
8	HMA-0067	ADAPTOR	1				
9	FIT-0546	ADAPTOR	1				
10							
11	BLTA08500	BOLT	3				
12	WSH-0058	WASHER SPRING	3				
13	HVB-29505	OVER CENTRE VALVE	1				
14	HMA-0075	ADAPTOR	2				
15							
16							
17							
18							
19							
20							
21							
22							
23							
24							
25	HHBH06105	HOSE	1				
26	HHBF05505	HOSE	1				
27	HHBI05705	HOSE	1				
28	190859 01	ADAPTOR	4				
29	802572 01	TRANSFER	1				
30	HHBE05005	HOSE	2				
31							
32	BLTA06260	BOLT	2				
33	WSH-0056	WASHER	2				



Shelbourne Reynolds Engineering Limited

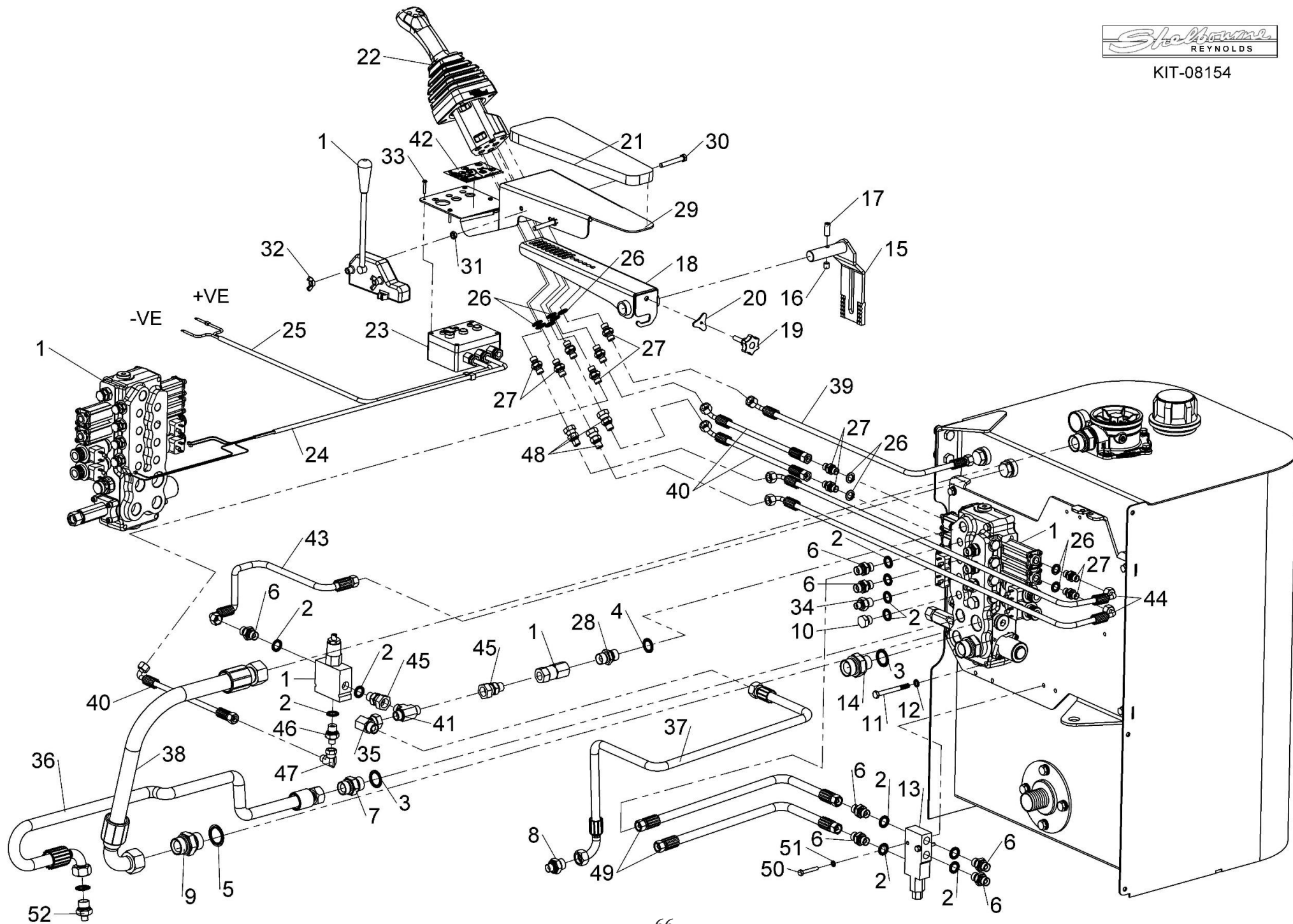


KIT-08153A



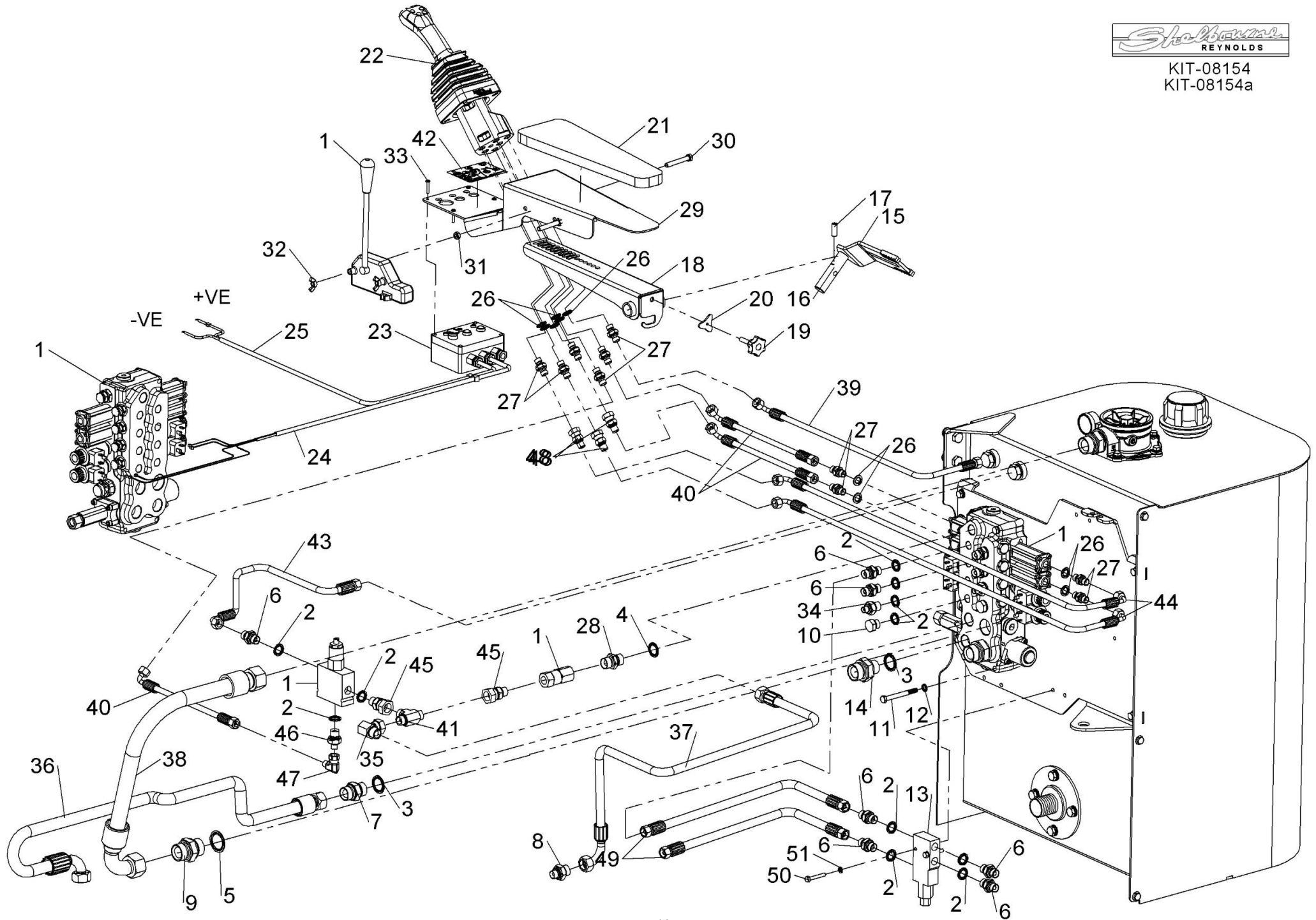
**Shelbourne Reynolds Engineering Limited**

ASSY NUMBER: KIT-08154				ASSY DESCRIPTION: OIL/OIL CONTROLS KIT (3 SERVICE) (350)			
ITEM	PART NO	DESCRIPTION	QTY	ITEM	PART NO	DESCRIPTION	QTY
1	HVB-49020	MAIN OIL/OIL VALVE ASSY	1	34	190859 01	ADAPTOR	2
1A	HVB-49020A	MAIN VALVE (SPARES)	-	35	HALAA0707	ELBOW	1
1B	HVB-09095B	CABLE ADAPTOR KIT (SPARES)	-	36	HHBH06105	HOSE	1
1C	HVB-09095C	LEVER CONTROL HANDLE (SPARES)	-	37	HHBF05505	HOSE	1
1D	HVB-09095G	REMOTE CABLE 3m LG MID 2013 & ON	-	38	HHBI05705	HOSE	1
OR	HVB-09095F	REMOTE CABLE 3.5m LG UPTO MID2013	-	39	HHBC39005	HOSE	1
1E	HVB-49020B	CHECK VALVE	-	40	HHBC35005	HOSE	3
1F	HVB-49020C	PRESSURE REDUCING VALVE	-	41	FITA10050	TEE FITTING	1
2	WSH-1010	DOWTY WASHER	15	42	802630 01	JOY-10005 CONTROL DECAL	1
3	WSH-1020	DOWTY WASHER	3	43	HHBE03305	HOSE	1
4	WSH-1015	DOWTY WASHER	2	44	HHEC39005	HOSE	2
5	WSH-1025	DOWTY WASHER	1	45	FIT-0240	ADAPTOR	2
6	HMA-0057	ADAPTOR	9	46	FIT-0025	ADAPTOR	1
7	HMA-0074	ADAPTOR	1	47	HALAA0303	ELBOW	1
8	HMA-0065	ADAPTOR	1	48	FIT-0520	ADAPTOR	2
9	FIT-0546	ADAPTOR	1	49	HHBE05005	HOSE	2
10	FIT-0251	BLANKING PLUG	2	50	BLTA06260	BOLT	2
11	BLTA08500	BOLT	3	51	WSH-0056	WASHER	2
12	WSH-0058	WASHER SPRING	3	52	HMA-0055	ADAPTOR	1
13	HVB-29505	OVER CENTRE VALVE	1				
14	HMA-0075	ADAPTOR	2				
15	801121 01	ARM REST FIXING BRACKET	1				
16	SCW-4590	GRUB SCREW	1				
17	SCGA10178	GRUB SCREW	1				
18	802218 01	ARM REST MOUNTING	1				
19	KNO-0002	PLASTIC KNOB	1				
20	801100 01	LOCKING PLATE	1				
21	802242 01	FOAM PAD	1				
22	JOY-10005	JOYSTICK	1				
23	802562 01	JOYSTICK BOX	1				
24	802563 01	MACHINE LOOM	1				
25	802561 01	POWER LEAD	1				
26	WSH-1005	DOWTY WASHER	10				
27	HMA-0052	ADAPTOR	10				
28	HMA-0067	ADAPTOR	1				
29	802801 01	ARM REST	1				
30	HSSA08380	SETSCREW	2				
31	NUT-0164	PLAIN NUT	2				
32	NUT-0209	WING NUT	2				
33	SCFC04170	PAN HEAD SCREW	4				



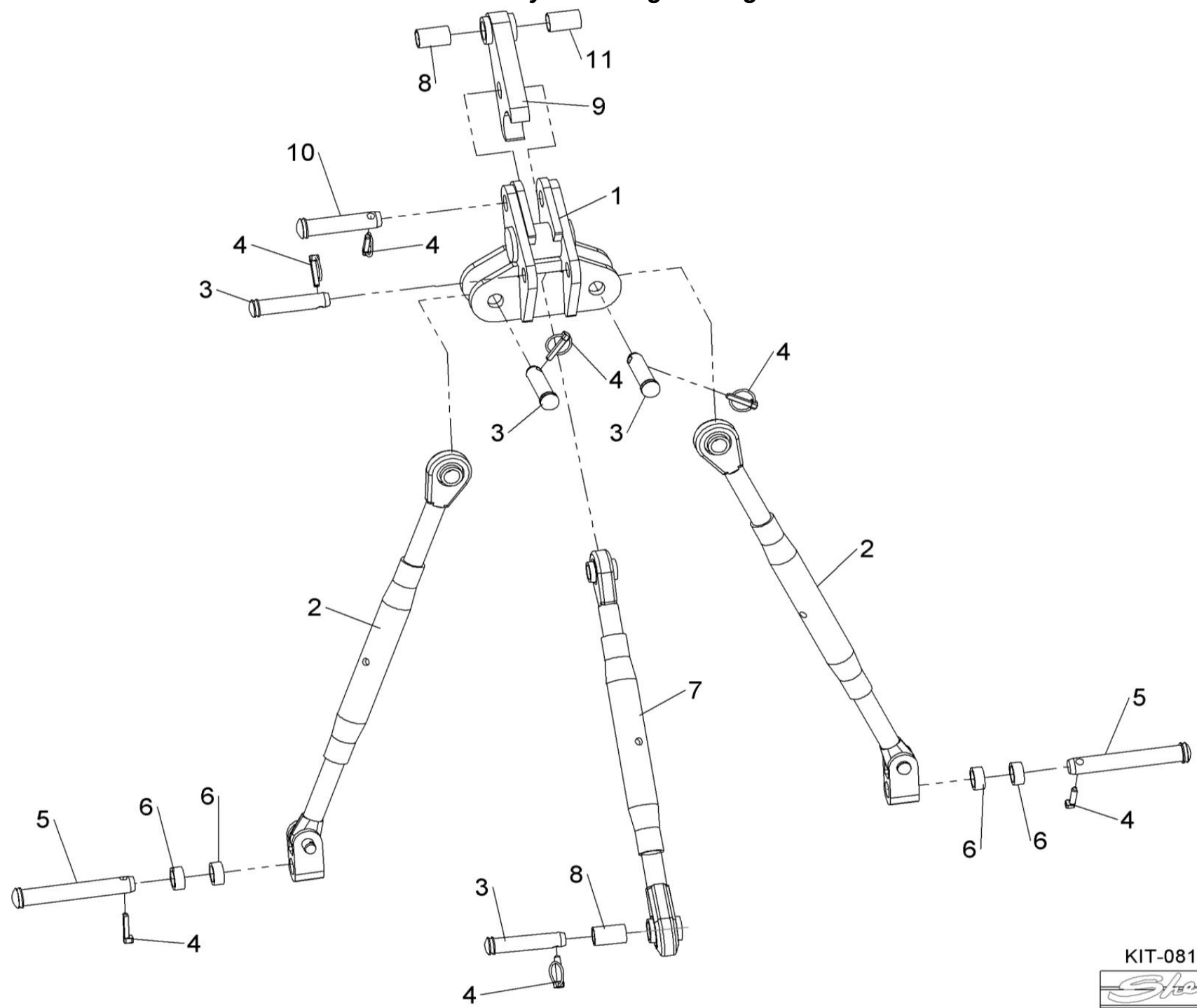
**Shelbourne Reynolds Engineering Limited**

ASSY NUMBER: KIT-08154a				ASSY DESCRIPTION: OIL/OIL CONTROLS KIT (3 SERVICE) (350)			
ITEM	PART NO	DESCRIPTION	QTY	ITEM	PART NO	DESCRIPTION	QTY
1	HVB-49020	MAIN OIL/OIL VALVE ASSY	1	35	HALAA0707	ELBOW	1
1A	HVB-49020A	MAIN VALVE (SPARES)	-	36	HHBH06105	HOSE	1
1B	HVB-09095B	CABLE ADAPTOR KIT (SPARES)	-	37	HHBF05505	HOSE	1
1C	HVB-09095C	LEVER CONTROL HANDLE (SPARES)	-	38	HHBI05705	HOSE	1
1D	HVB-09095F	REMOTE CABLE 3.5Mt LG	-	39	HHBC39005	HOSE	1
1E	HVB-49020B	CHECK VALVE	-	40	HHBC35005	HOSE	3
1F	HVB-49020C	PRESSURE REDUCING VALVE	-	41	FITA10050	TEE FITTING	1
2	WSH-1010	DOWTY WASHER	15	42	802630 01	JOY-10005 CONTROL DECAL	1
3	WSH-1020	DOWTY WASHER	3	43	HHBE03305	HOSE	1
4	WSH-1015	DOWTY WASHER	2	44	HHEC39005	HOSE	2
5	WSH-1025	DOWTY WASHER	1	45	FIT-0240	ADAPTOR	2
6	HMA-0057	ADAPTOR	9	46	FIT-0025	ADAPTOR	1
7	HMA-0074	ADAPTOR	1	47	HALAA0303	ELBOW	1
8	HMA-0065	ADAPTOR	1	48	FIT-0520	ADAPTOR	2
9	FIT-0546	ADAPTOR	1	49	HHBE05005	HOSE	2
10	FIT-0251	BLANKING PLUG	2	50	BLTA06260	BOLT	2
11	BLTA08500	BOLT	3	51	WSH-0056	WASHER	2
12	WSH-0058	WASHER SPRING	3	52	HMA-0055	ADAPTOR	1
13	HVB-29505	OVER CENTRE VALVE	1				
14	HMA-0075	ADAPTOR	2				
15							
16							
17							
18							
19							
20							
21	802242 01	FOAM PAD	1				
22	JOY-10005	JOYSTICK	1				
23	802562 01	JOYSTICK BOX	1				
24	802563 01	MACHINE LOOM	1				
25	802561 01	POWER LEAD	1				
26	WSH-1005	DOWTY WASHER	10				
27	HMA-0052	ADAPTOR	10				
28	HMA-0067	ADAPTOR	1				
29	802801 01	ARM REST	1				
30	HSSA08380	SETSCREW	2				
31	NUT-0164	PLAIN NUT	2				
32	NUT-0209	WING NUT	2				
33	SCFC04170	PAN HEAD SCREW	4				
34	190859 01	ADAPTOR	2				



**Shelbourne Reynolds Engineering Limited**

ASSY NUMBER: KIT-08185				ASSY DESCRIPTION: STABILISER KIT - 3 POINT LINKAGE			
ITEM	PART NO	DESCRIPTION	QTY	ITEM	PART NO	DESCRIPTION	QTY
1	803175 01	3 POINT YOKE W/ASSY	1				
2	ADL-04500	ADJUSTABLE TOP LINK ASSEMBLY	2				
3	800198 01	PIN	4				
4	PIN-01950	LYNCH PIN	7				
5	800199 06	PIN	2				
6	800934 01	SPACER	4				
7	ADL-11540	TOP LINK CAT	1				
OR	ADL-13570	TOP LINK CAT	1				
8	800197 01	SPACER (FOR KIT-08185)	1				
OR	800197 01	SPACER (FOR KIT-08185A)	2				
9	800930 01	ROCKER W/ASSY	1		KIT-08185	400 STABILISER KIT	
10	800199 05	PIN	1				
11	800197 02	SPACER	1		KIT-08185A	200/300 STABILISER KIT	



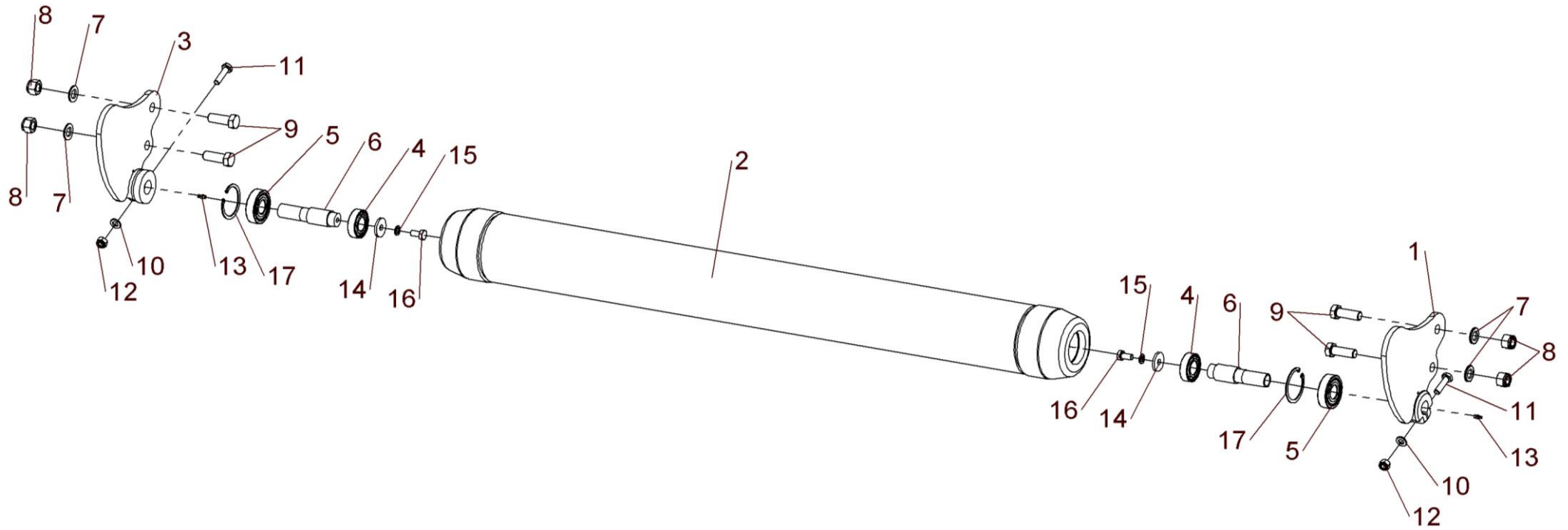
KIT-08185



**Shelbourne Reynolds Engineering Limited**

ASSY NUMBER: KIT-08189				ASSY DESCRIPTION: 1.2mt ROLLER KIT (350 & 450, 127mm TUBE)			
ITEM	PART NO	DESCRIPTION	QTY	ITEM	PART NO	DESCRIPTION	QTY
1	802388 01	LH ADJ.ROLLER.BRKT.W/ASSY	1				
2	803213 01	ROLLER TUBE W/ASSY	1				
3	802388 02	RH ADJ.ROLLER BRKT. W/ASSY	1				
4	BRG-4125	BEARING	2				
5	BRG-3358	SUPPORT	2				
6	802345 01	STUB SHAFT	2				
7	WSH-0024	PLAIN WASHER FORM A	4				
8	NUT-0271	NYLOC NUT	4				
9	HSS-0317	SET SCREW	4				
10	WSH-0015	PLAIN WASHER	2				
11	HSS-0202	SET SCREW	2				
12	NUT-0265	NYLOC NUT	2				
13	NIP-00600	GREASE NIPPLE	2				
14	190119 09	WASHER	2				
15	WSH-0061	SPRING WASHER	2				
16	HSS-0188	SET SCREW	2				
17	CIR-0620	CIRCLIP INT 62MM	2				



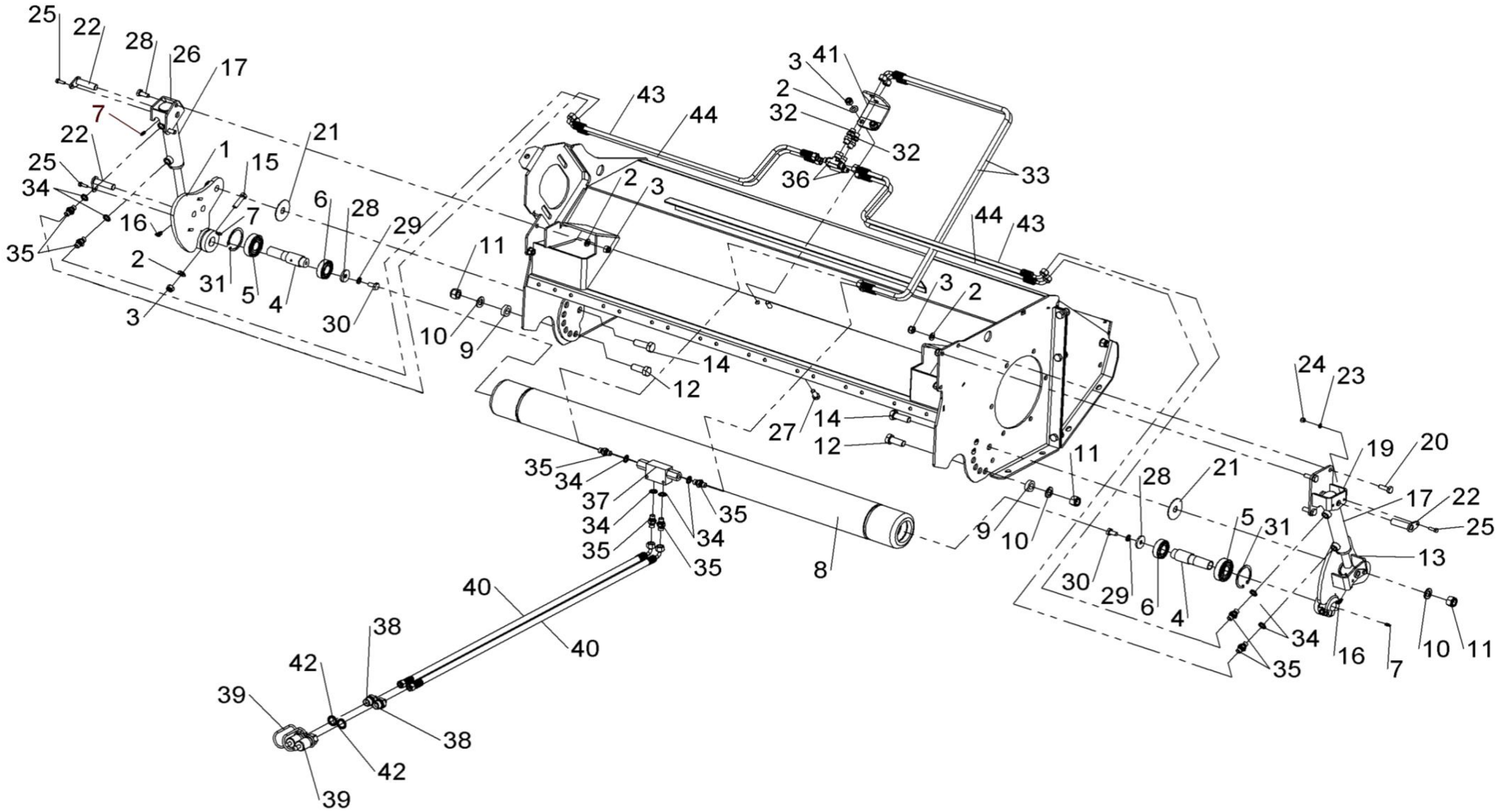


KIT-08189



**Shelbourne Reynolds Engineering Limited**

ASSY NUMBER: KIT-08190				ASSY DESCRIPTION: 1.2mt HYDRAULIC ROLLER KIT (127mm TUBE)			
ITEM	PART NO	DESCRIPTION	QTY	ITEM	PART NO	DESCRIPTION	QTY
1	802343 01	LH ADJ. ROLLER PLATE W/ASSY	1	40	HHCC15005	HYD HOSE	2
2	WSH-0015	PLAIN WASHER	9	41	802797 01	BULKHEAD BRACKET	1
3	NUT-0265	NYLOC NUT	9	42	WSH-1015	DOWTY WASHER	2
4	802345 01	STUB SHAFT	2	43	HHCC06705	HYD HOSE (RAM TOP)	2
5	BRG-3358	SUPPORT	2	44	HHCC07705	HYD HOSE (RAM BOT)	2
6	BRG-4125	BEARING	2				
7	NIP-00600	GREASE NIPPLE	4				
8	803213 01	ROLLER TUBE W/ASSY	1				
9	198800 12	WASHER	2				
10	WSH-0024	WASHER	4				
11	NUT-0271	NYLOC NUT	4		KIT-08190	5.0Mt BOOM 1.2mt HYDRAULIC ROLLER	
12	HSS-0316	SETSCREW	2		KIT-08190A	5.7Mt BOOM 1.2mt HYDRAULIC ROLLER	
13	802343 02	RH ADJ. ROLLER PLATE W/ASSY	1				
14	HSS-0317	SET SCREW	2				
15	BLTA10290	BOLT	2				
16	NIP-00610	GREASE NIPPLE	2				
17	RAM-0017	HYDRAULIC ROLLER RAM	2				
18							
19	802350 01	UPPER RAM MOUNTING W/ASSY	1				
20	HSS-0194	BOLT	3				
21	198800 14	WASHER 17x60x2	2				
22	802370 01	RAM MOUNTING PIN W/ASSY	4				
23	WSH-0009	PLAIN WASHER FORM A	4				
24	NUT-0260	NYLOC NUT	4				
25	HSS-0086	SET SCREW	4				
26	802373 01	UPPER RAM MOUNTING W/ASSY	1				
27	HSS-0191	SET SCREW	4				
28	190119 09	WASHER	2				
29	WSH-0061	SPRING WASHER	2				
30	HSS-0188	SET SCREW	2				
31	CIR-0620	CIRCLIP INT 62MM	2				
32	HBK-0010	BULKHEAD	2				
33	HHCC67005	HOSE 5.0Mt BOOM	2				
OR	HHCC74605	HOSE 5.7Mt BOOM	2				
34	WSH-1005	DOWTY WASHER	8				
35	HMA-0052	ADAPTER	8				
36	FITA10130	TEE FITTING	2				
37	HVB-27000	VALVE DOUBLE PO CHECK	1				
38	HMA-0055	ADAPTER	2				
39	COU-0162	QUICK REL COUP	2				

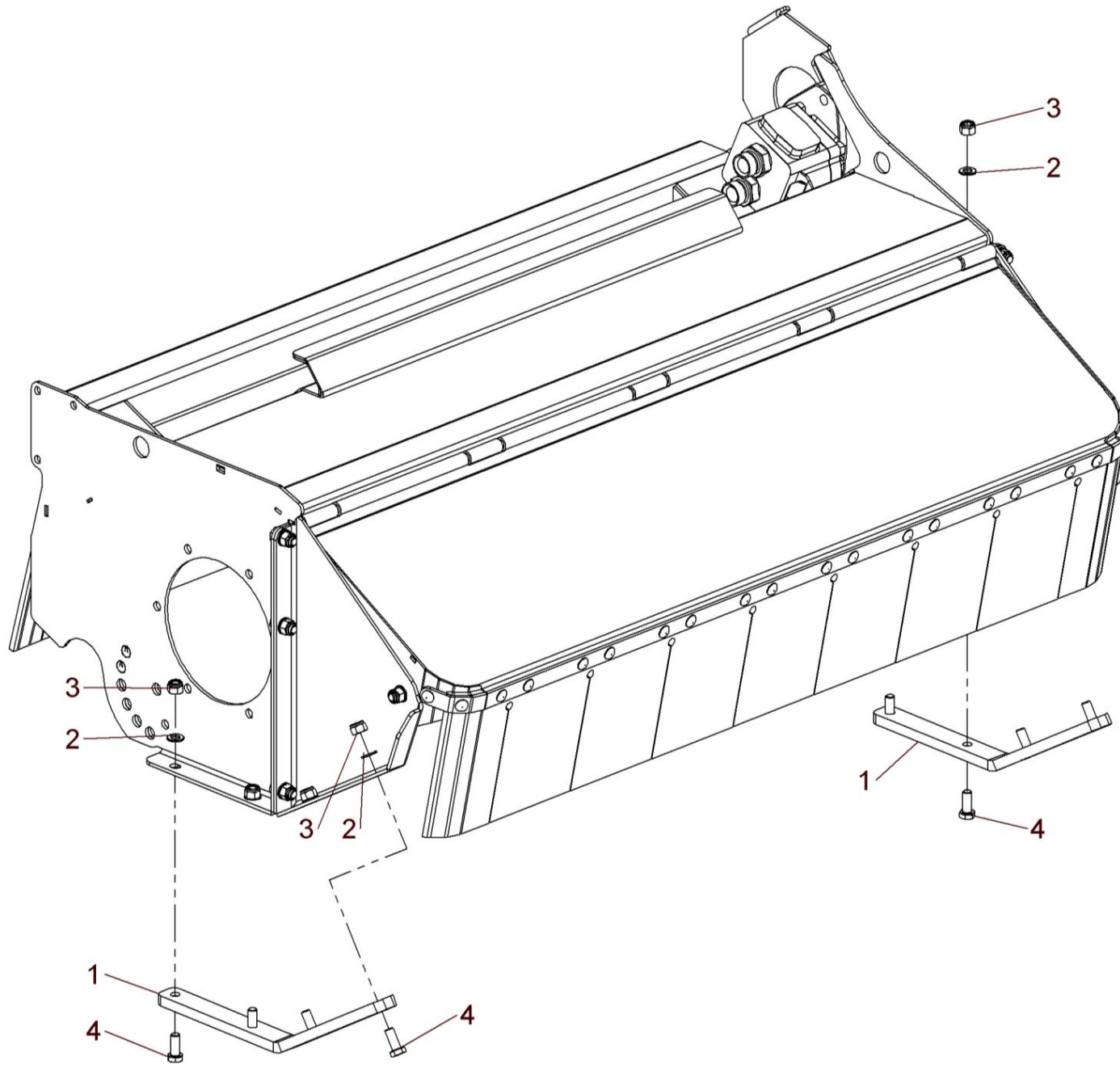


KIT-08137  
KIT-08190



**Shelbourne Reynolds Engineering Limited**

ASSY NUMBER: KIT-08191				ASSY DESCRIPTION: NOSE SKID KIT			
ITEM	PART NO	DESCRIPTION	QTY	ITEM	PART NO	DESCRIPTION	QTY
1	803216 01	SKID PLATE	2				
2	WSH-0018	PLAIN WASHER	8				
3	NUT-0269	NUT	8				
4	HSS-0238	SETSCREW	8				

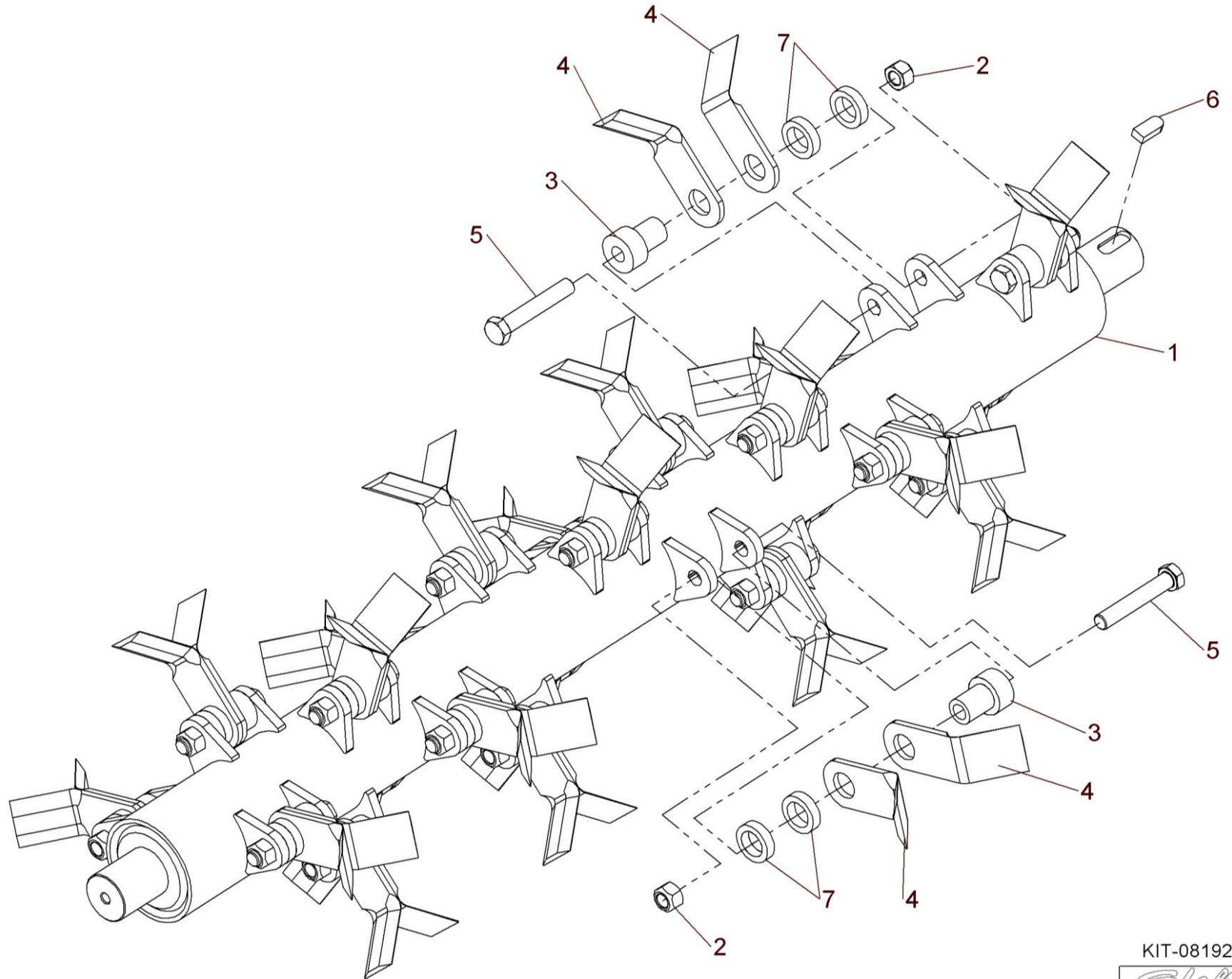


KIT-08191



**Shelbourne Reynolds Engineering Limited**

ASSY NUMBER: KIT-08192				ASSY DESCRIPTION: 1.2mt FLAIL ASSY (FLARED FLAILS 110dia)			
ITEM	PART NO	DESCRIPTION	QTY	ITEM	PART NO	DESCRIPTION	QTY
1	802460 01	1.2mt ROTOR TUBE W/ASSY	1				
2	NUTF15162	STOVER NUT	24				
3	803218 01	SPACER	24				
4	FLL-25000	"FLARED" FLAIL	48				
5	BLTD16554	HEX.HEAD BOLT	24				
6	K1409032	KEY	1				
7	803219 01	SPACER	48				



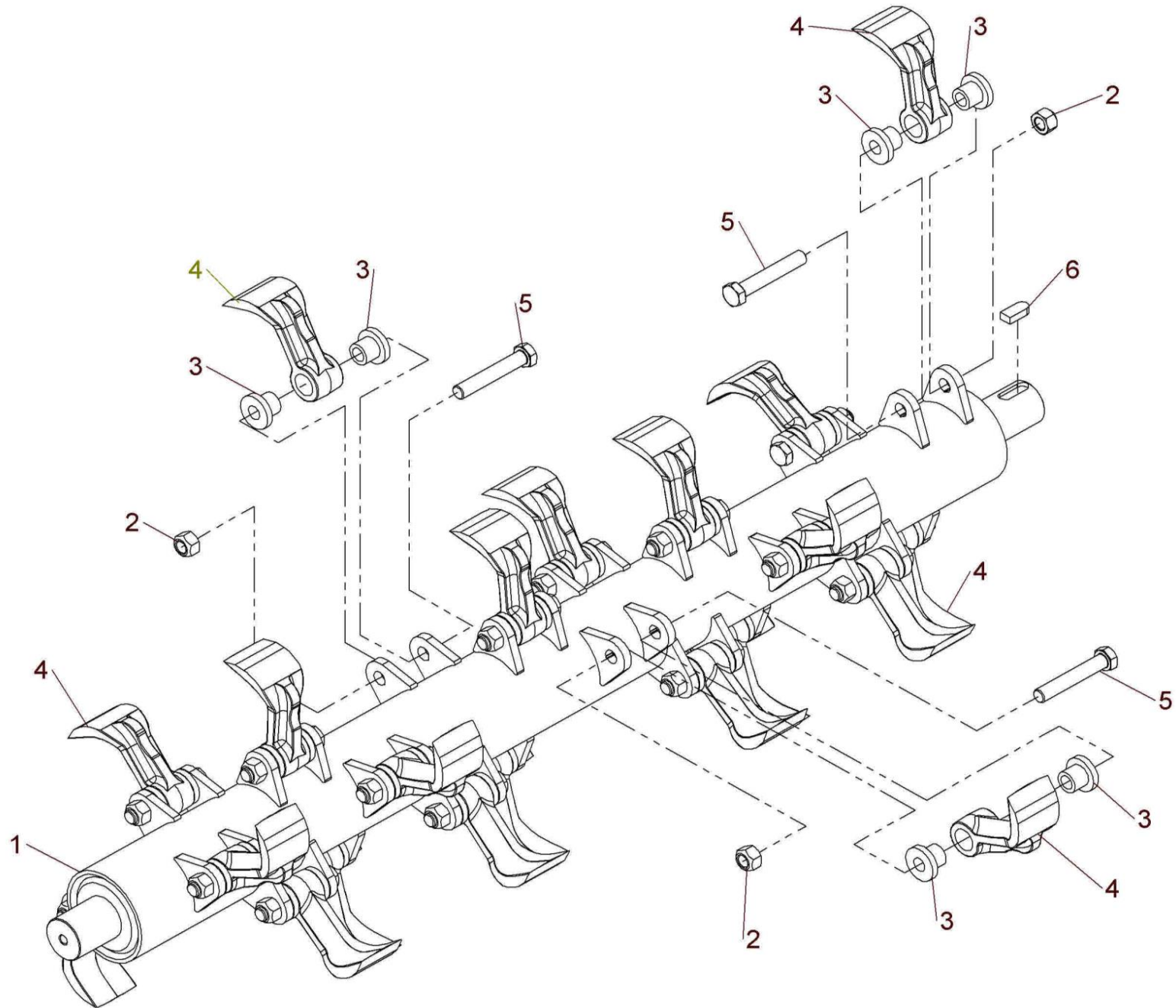
KIT-08192



**Shelbourne Reynolds Engineering Limited**

ASSY NUMBER: KIT-08199				ASSY DESCRIPTION: 1.2mt C FLAIL ASSY			
ITEM	PART NO	DESCRIPTION	QTY	ITEM	PART NO	DESCRIPTION	QTY
1	802460 01	1.2mt ROTOR TUBE W/ASSY	1				
2	NUTF15162	STOVER NUT	24				
3	800070 01	SPACER	48				
4	FLL-20000	"C" FLAIL	24				
5	BLTD16554	HEX.HEAD BOLT	24				
6	K1409032	KEY	1				





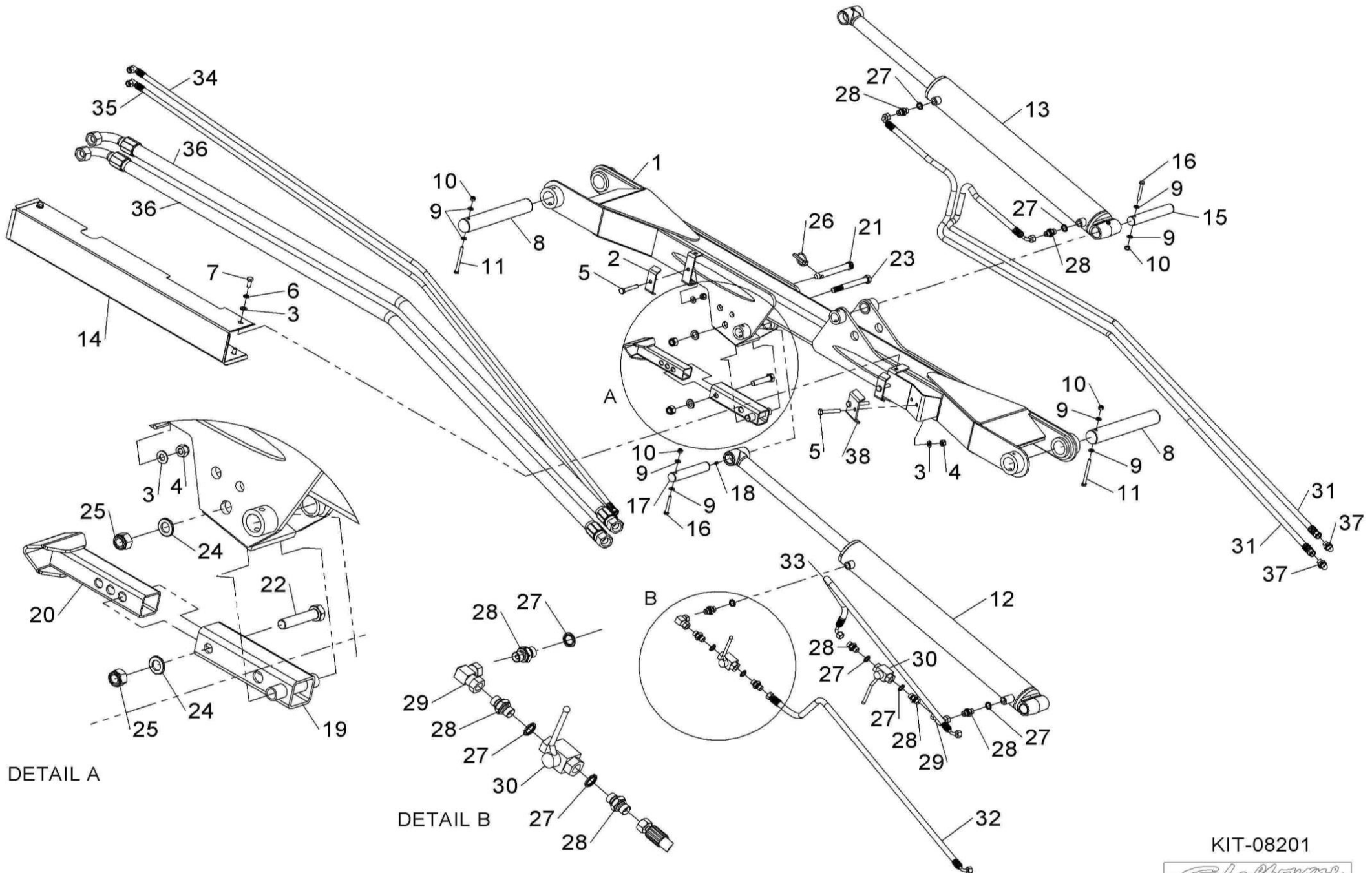
KIT-08199



**Shelbourne Reynolds Engineering Limited**

ASSY NUMBER: KIT-08201				ASSY DESCRIPTION: 5.0Mt INNER BOOM KIT (250)			
ITEM	PART NO	DESCRIPTION	QTY	ITEM	PART NO	DESCRIPTION	QTY
1	803366 01	FIXED INNER BOOM	1				
2	802523 01	CLAMP PLATE	2				
3	WSH-0015	WASHER	8				
4	NUT-0265	NUT	4				
5	BLTA10410	BOLT	4				
6	WSH-0061	WASHER	4				
7	HSS-0191	BOLT	4				
8	800102 16	PIN	2				
9	WSH-0012	WASHER	8				
10	NUT-0263	NUT	4				
11	BLTA08530	BOLT	2				
12	RAM-0022	LIFT CYLINDER (250)	1				
13	RAM-0023	REACH CYLINDER (250)	1				
14	803422 01	COVER PLATE	1				
15	800987 13	PIN	1				
16	BLTA08380	BOLT	2				
17	800987 14	OUTER BOOM PIN	1				
18	NIP-00600	GREASE NIPPLE	1				
19	803428 01	SUPPORT BRACKET W/A	1				
20	803430 01	EXTENTION W/A	1				
21	250701 01	PIN	1				
22	HSSA16470	SETSCREW	1				
23	BLTA16710	BOLT	1				
24	WSH-0024	WASHER	2				
25	NUT-0875	NUT	2				
26	PIN-01950	LYNCH PIN	1				
27	WSH-1010	WASHER	8				
28	HMA-0057	ADAPTOR	8				
29	HAKAA0505	ADAPTER	2				
30	21303109	VALVE	2				
31	HHBE24005	HOSE	2				
32	HHBE17105	HOSE	1				
33	HHEE15005	HOSE	1				
34	HHCC42105	HOSE	1				
35	HHCC44005	HOSE	1				
36	HHBI49505	HOSE	2				
37	HAMAA0505	RESTRICTOR FITTING	2				
38	805927 01	PLATE	1				

Shelbourne Reynolds Engineering Limited



DETAIL A

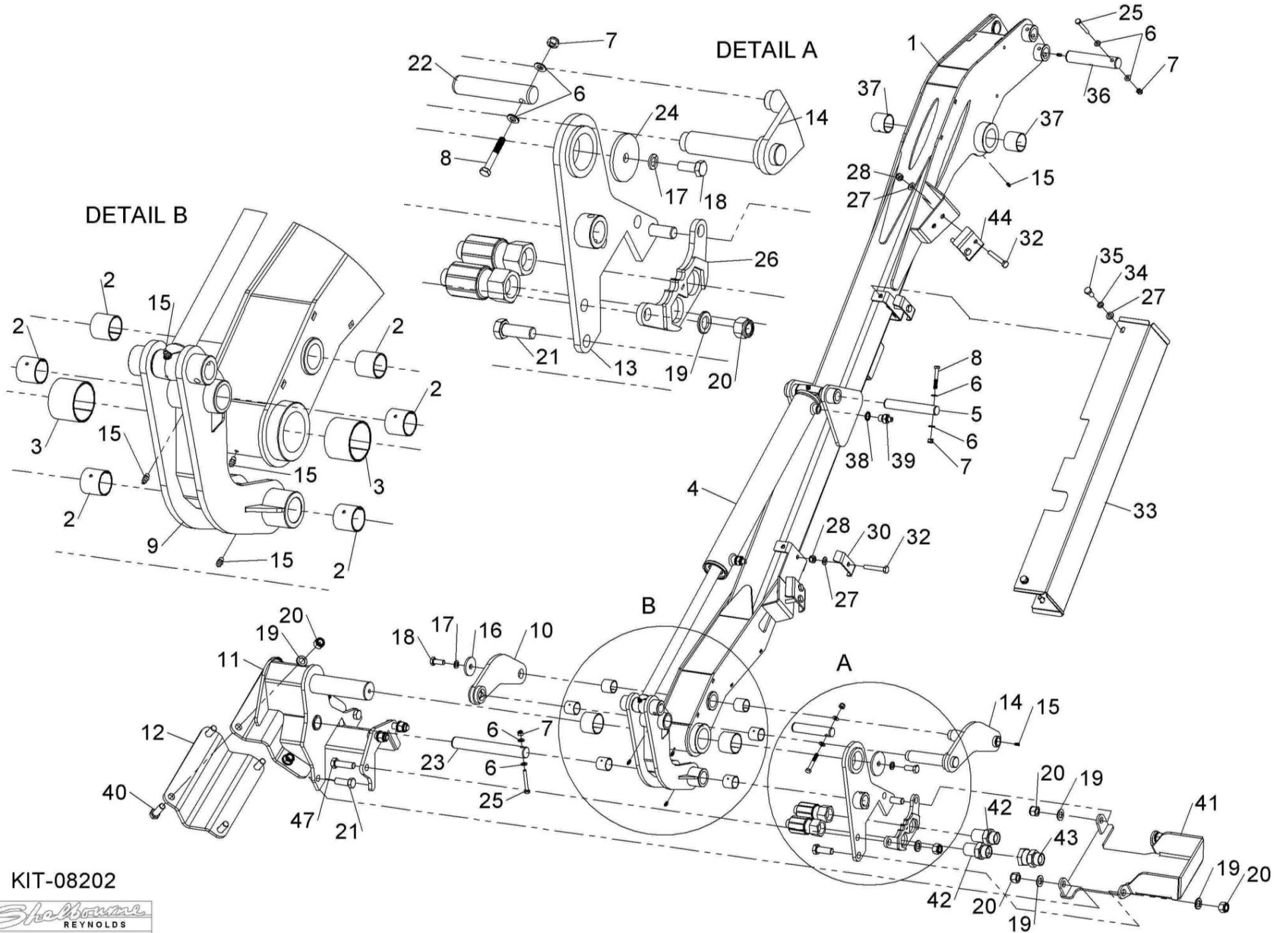
DETAIL B

KIT-08201



**Shelbourne Reynolds Engineering Limited**

ASSY NUMBER: KIT-08202				ASSY DESCRIPTION: 5.0Mt OUTER BOOM (250)			
ITEM	PART NO	DESCRIPTION	QTY	ITEM	PART NO	DESCRIPTION	QTY
1	803368 01	OUTER BOOM W/ASSY	1	40	HSS-0318	SETSCREW	4
2	BSH-3030	BUSH	6	41	802870 01	GUARD WA	1
3	BSHA05062	BUSH	2	42	HAGAA1313	HYD.BULKHEAD ADAPTOR	2
4	RAM-0018	HEAD ANGLE RAM	1	43	HACAA1313	HYD ADAPTOR	1
5	800101 31	RAM PIN	1	44	805927 01	PLATE	2
6	WSH-0012	PLAIN WASHER FORM A	8	45			
7	NUT-0263	NYLOC NUT	4	46			
8	BLTA08350	HEX.HEAD BOLT	2	47	HSS-0319	SETSCREW	2
9	802394 01	CURVED LINK W/ASSY	1				
10	802397 01	CURVED PLATE W/ASSY	1				
11	802633 01	PIVOT W/ASSY	1				
12	802400 01	CLAMP PLATE	1				
13	802631 01	RADIUS PLATE W/ASSY	1				
14	802409 01	CURVED LINK W/ASSY	1				
15	NIP-00600	GREASE NIPPLE	6				
16	190119 15	WASHER	2				
17	WSH-0065	SPRING WASHER	3				
18	HSS-0238	BOLT	3				
19	WSH-0024	PLAIN WASHER FORM A	11				
20	NUT-0271	NYLOC NUT	11				
21	HSS-0317	SET SCREW	5				
22	800101 32	RAM PIN	1				
23	800101 34	HEAD ANGLING PIN	1				
24	190119 56	WASHER	1				
25	BLTA08380	HEX.HEAD BOLT	2				
26	802430 01	HOSE MOUNT WA	1				
27	WSH-0015	PLAIN WASHER	10				
28	NUT-0265	NYLOC NUT	6				
29							
30	802523 01	CLAMP PLATE	3				
31							
32	BLTA10410	HEX.HEAD BOLT	7				
33	802484 01	COVER PLATE	1				
34	WSH-0061	SPRING WASHER	4				
35	HSS-0191	SET SCREW	4				
36	800987 14	OUTER BOOM PIN	1				
37	BSHA04562	BUSH	2				
38	WSH-1010	DOWTY WASHER	2				
39	FIT-0025	ADAPTOR	2				

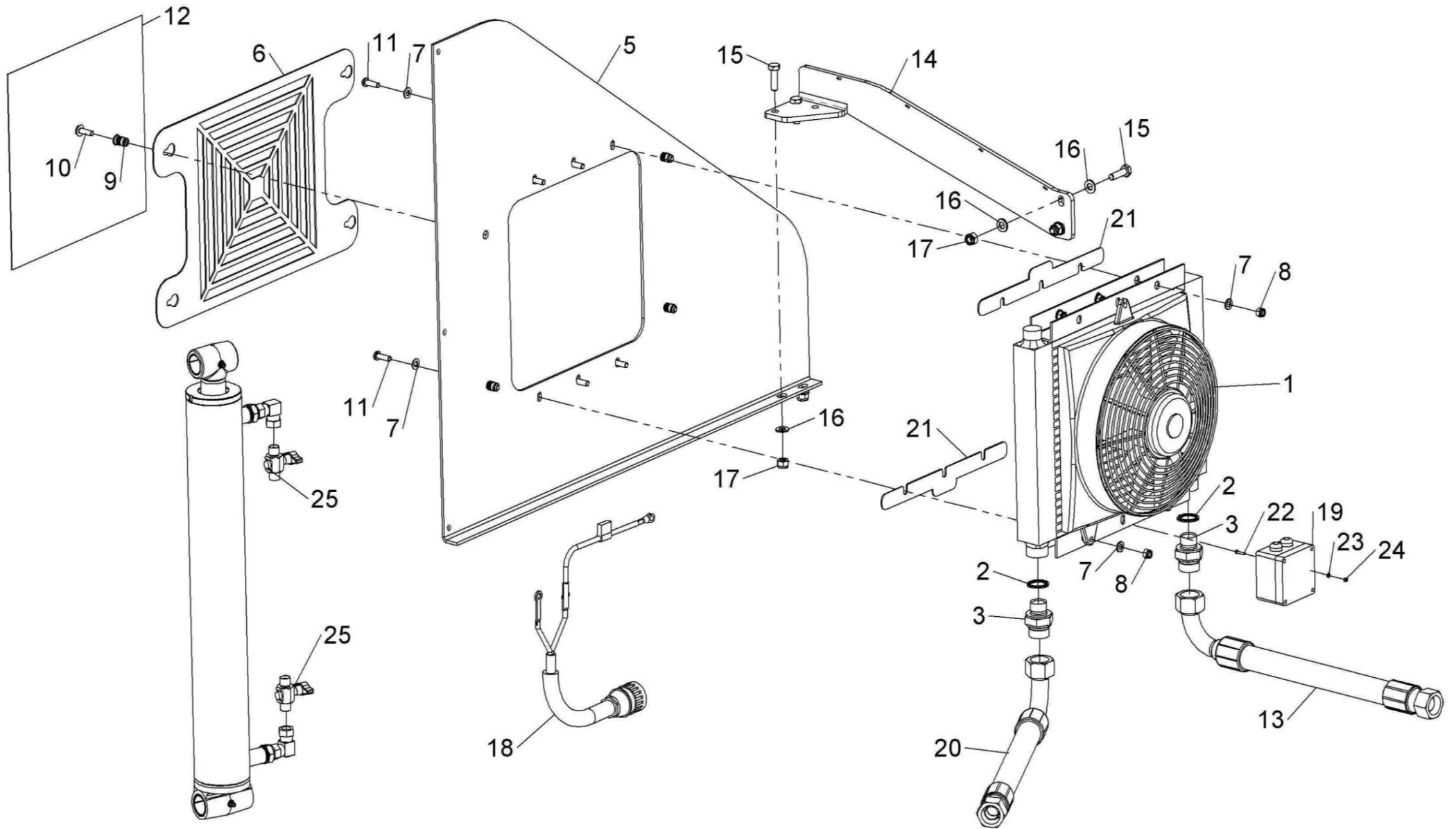


KIT-08202



**Shelbourne Reynolds Engineering Limited**

ASSY NUMBER: KIT-08205				ASSY DESCRIPTION: OIL COOLER KIT			
ITEM	PART NO	DESCRIPTION	QTY	ITEM	PART NO	DESCRIPTION	QTY
1	HOC-00010	OIL COOLER	1				
2	WSH-1020	WASHER	2				
3	HMA-0075	ADAPTER	2				
4							
5	803449 01	REAR GUARD	1				
6	803450 01	GUARD	1				
7	WSH-0012	WASHER	12				
8	NUT-0263	NYLOC NUT	6				
9	NUTA13087	NUTSERT	4				
10	HSSF08174	BOLT	4				
11	SCBA08172	SCREW	6				
12	MES-28100	MESH SCREEN	1				
13	HHBI12005	HYDRAULIC HOSE	1				
14	802473 01	REAR GUARD	1				
15	HSS-0198	SETSREW	4				
16	WSH-0015	WASHER	6				
17	NUT-0265	NUT	4				
18	803459 01	COOLER CONNECTION KIT	1				
19	803460 01	COOLER WIRING LOOM	1				
20	HHBI09005	HOSE	1				
21	804692 01	SPACER PLATE	2				
22	SCFC03110	PAN HD SCREW	2				
23	WSH-0001	WASHER	2				
24	NUTA02030	NYLOC NUT	2				
25	HVB-02620	2 WAY BALL VALVE	2				



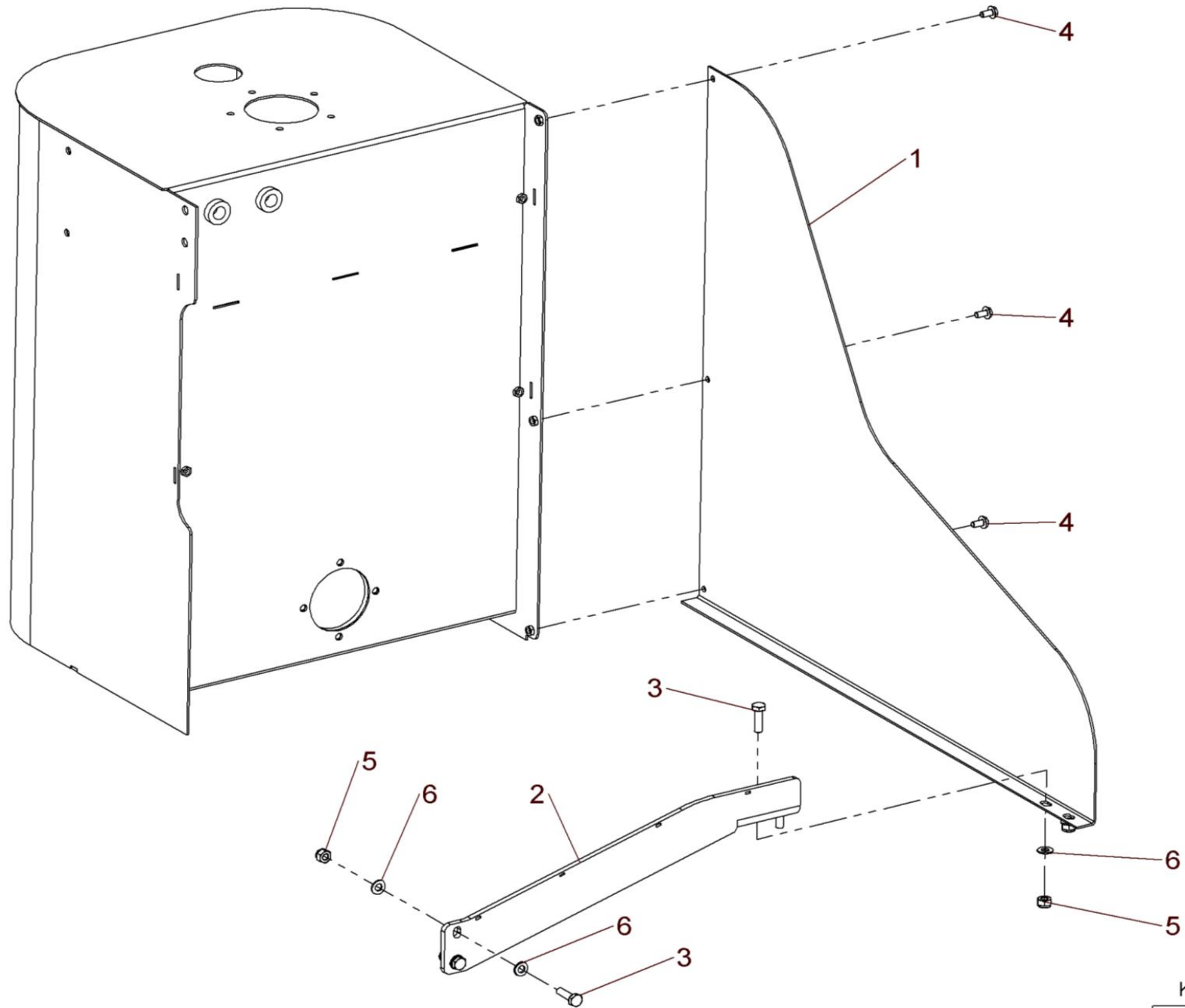
KIT-08205



**Shelbourne Reynolds Engineering Limited**

ASSY NUMBER: KIT-08207				ASSY DESCRIPTION: REAR GUARD KIT			
ITEM	PART NO	DESCRIPTION	QTY	ITEM	PART NO	DESCRIPTION	QTY
1	802300 01	REAR GUARD	1				
2	802473 01	REAR GUARD SUPPORT	1				
3	HSS-0198	BOLT	4				
4	HSSG08114	BOLT	3				
5	NUT-0265	NUT	4				
6	WSH-0015	WASHER	6				



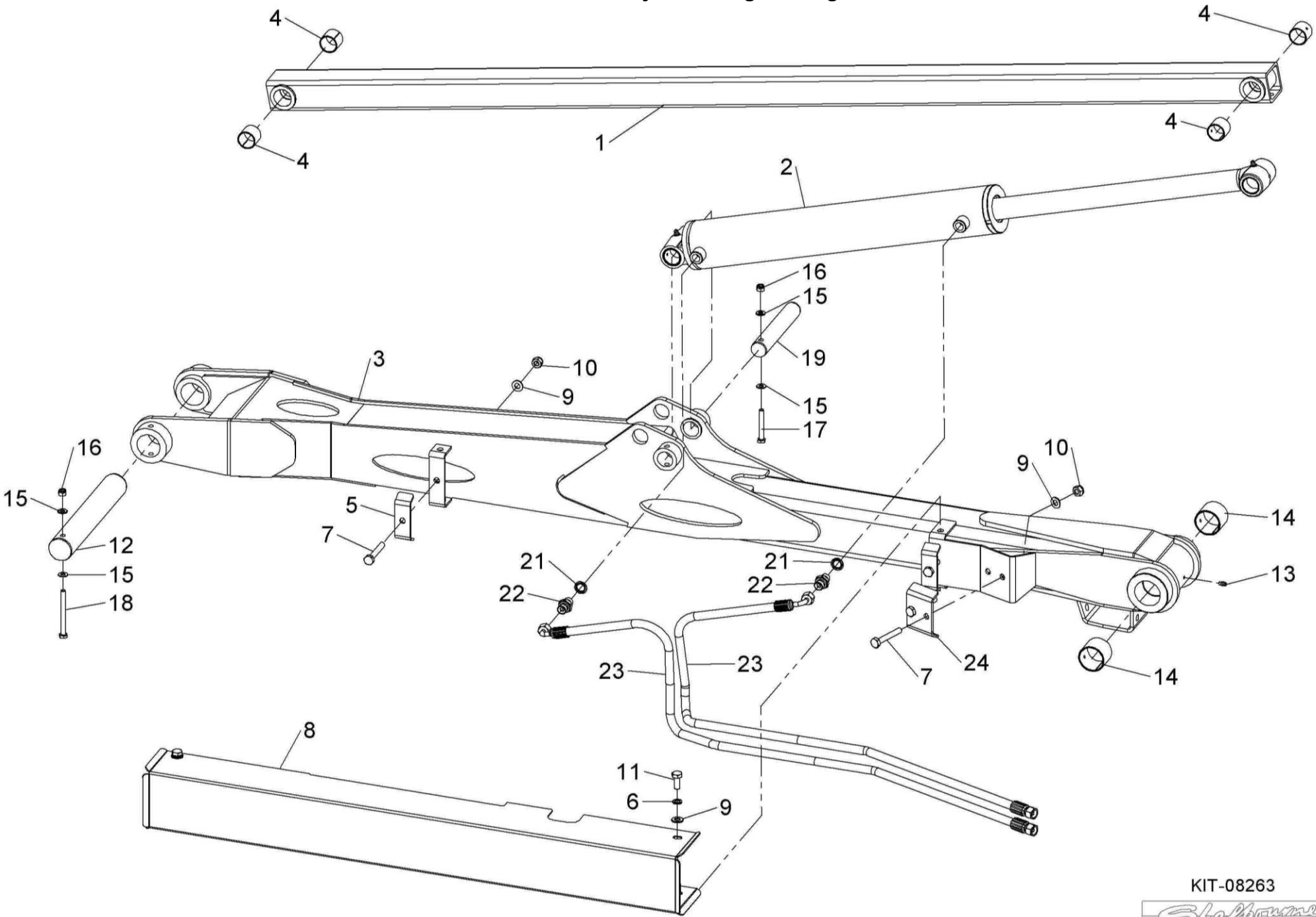


KIT-08207



**Shelbourne Reynolds Engineering Limited**

ASSY NUMBER: KIT-08263				ASSY DESCRIPTION: 5.7M INNER BOOM KIT (457)			
ITEM	PART NO	DESCRIPTION	QTY	ITEM	PART NO	DESCRIPTION	QTY
1	804437 01	TIE ARM W/ASSY	1				
2	807170 01	REACH RAM PB45X221492 & ON	1				
OR	RAM-0020	REACH RAM UPTO PB45X221492	-				
3	804436 01	FIXED BOOM W/A	1				
4	BSH-3030	BUSH	4				
5	802523 01	CLAMP PLATE	2				
6	WSH-0061	SPRING WASHER	4				
7	BLTA10410	HEX.HEAD BOLT	3				
8	804454 01	COVER PLATE	1				
9	WSH-0015	PLAIN WASHER	7				
10	NUT-0265	NYLOC NUT	3				
11	HSS-0191	SET SCREW	4				
12	800102 16	PIN	1				
13	NIP-00600	GREASE NIPPLE	1				
14	BSHA04562	BUSH	2				
15	WSH-0012	PLAIN WASHER FORM A	4				
16	NUT-0263	NYLOC NUT	2				
17	BLTA08380	HEX.HEAD BOLT	1				
18	BLTA08530	HEX.HEAD BOLT	1				
19	805762 01	PIN	1				
21	WSH-1010	DOWTY WASHER	2				
22	HMA-0057	ADAPTOR	2				
23	HHBE25005	HOSE	2				
24	805927 01	PLATE	1				



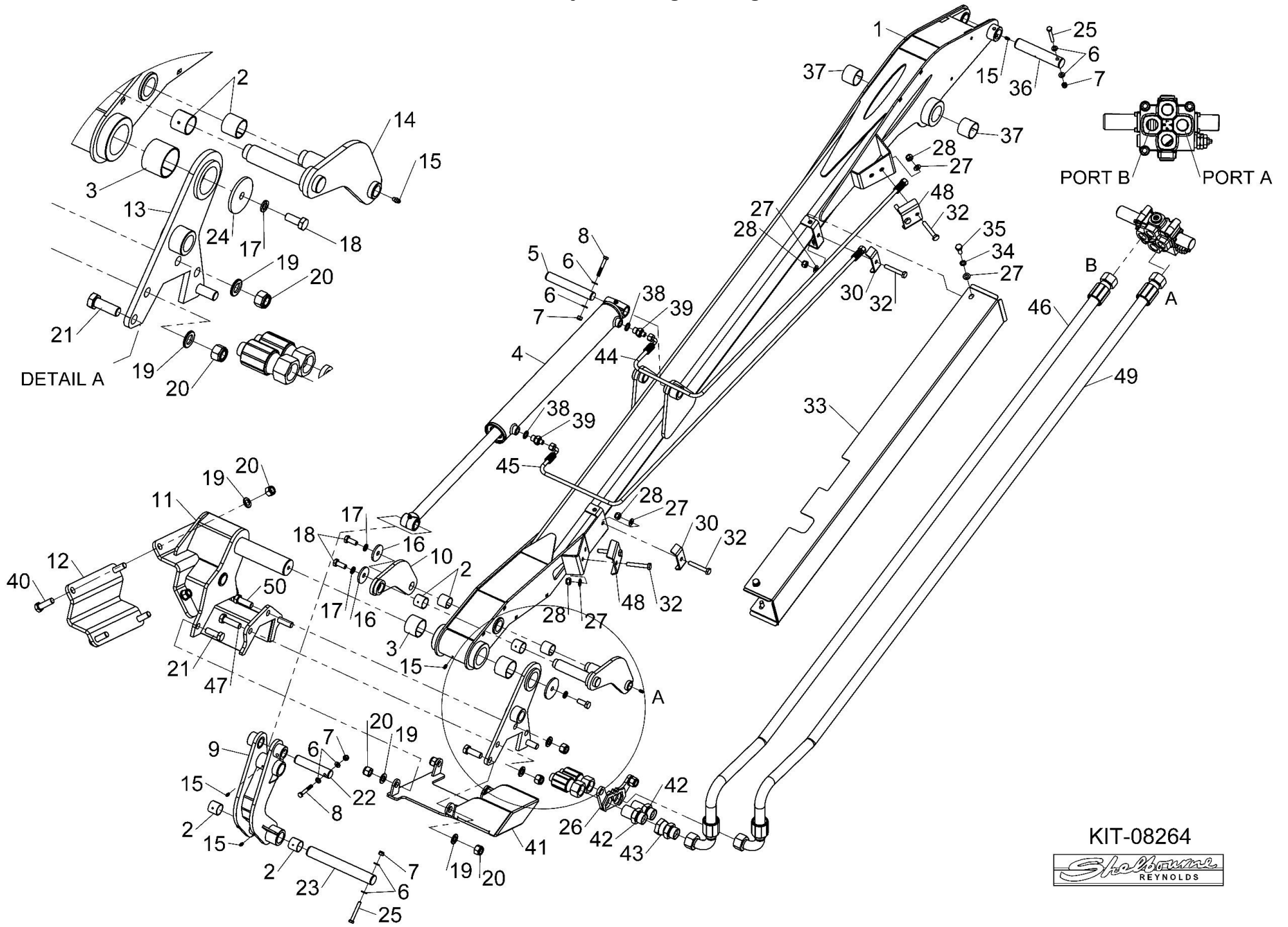
KIT-08263



**Shelbourne Reynolds Engineering Limited**

ASSY NUMBER: KIT-08264				ASSY DESCRIPTION: 5.7Mt OUTER BOOM (457)			
ITEM	PART NO	DESCRIPTION	QTY	ITEM	PART NO	DESCRIPTION	QTY
1	804439 01	OUTER BOOM W/ASSY	1	39	FIT-0025	ADAPTOR	2
2	BSH-3030	BUSH	6	40	HSS-0318	SETSCREW	4
3	BSHA05062	BUSH	2	41	802870 01	GUARD W/A	1
4	807168 01	HEAD ANGLE RAM PB45X221534 & ON	1	42	HAGAA1313	HYD.BULKHEAD ADAPTOR	2
OR	RAM-0018	HEAD ANGLE RAM UPTO PB45X221534	1	43	HACAA1313	HYD ADAPTOR	1
5	800101 31	RAM PIN	1	44	HHCC53705	HYD HOSE (H/A VALVE OUT)	1
6	WSH-0012	PLAIN WASHER FORM A	8	45	HHCC56605	HYD HOSE (H/A VALVE IN)	1
7	NUT-0263	NYLOC NUT	4	46	HHBI60605	HYD HOSE PB45X191105 & ON	1
8	BLTA08350	HEX.HEAD BOLT	2	OR	HHBI61105	HYD HOSE UPTO PB45X191105	2
9	802394 01	CURVED LINK W/ASSY	1	47	HSS-0319	SETSCREW	2
10	802397 01	CURVED PLATE W/ASSY	1	48	805927 01	CLAMP	2
11	802633 01	PIVOT W/ASSY	1	49	HHBI59605	HYD HOSE PB45X191105 & ON	1
12	802400 01	CLAMP PLATE	1	50	HSS-0316	SET SCREW	1
13	802631 01	RADIUS PLATE W/ASSY	1				
14	802409 01	CURVED LINK W/ASSY	1				
15	NIP-00600	GREASE NIPPLE	6				
16	190119 15	WASHER	2				
17	WSH-0065	SPRING WASHER	3				
18	HSS-0238	BOLT	3				
19	WSH-0024	PLAIN WASHER FORM A	10				
20	NUT-0271	NYLOC NUT	11				
21	HSS-0317	SET SCREW	4				
22	800101 32	RAM PIN	1				
23	800101 34	HEAD ANGLING PIN	1				
24	190119 56	WASHER	1				
25	BLTA08380	HEX.HEAD BOLT	2				
26	802430 01	HOSE MOUNT WA	1				
27	WSH-0015	PLAIN WASHER	10				
28	NUT-0265	NYLOC NUT	6				
29							
30	802523 01	CLAMP PLATE	3				
31							
32	BLTA10410	HEX.HEAD BOLT	7				
33	804441 01	COVER PLATE	1				
34	WSH-0061	SPRING WASHER	4				
35	HSS-0191	SET SCREW	4				
36	800987 14	OUTER BOOM PIN	1				
37	BSHA04562	BUSH	2				
38	WSH-1010	DOWTY WASHER	2				

Shelbourne Reynolds Engineering Limited

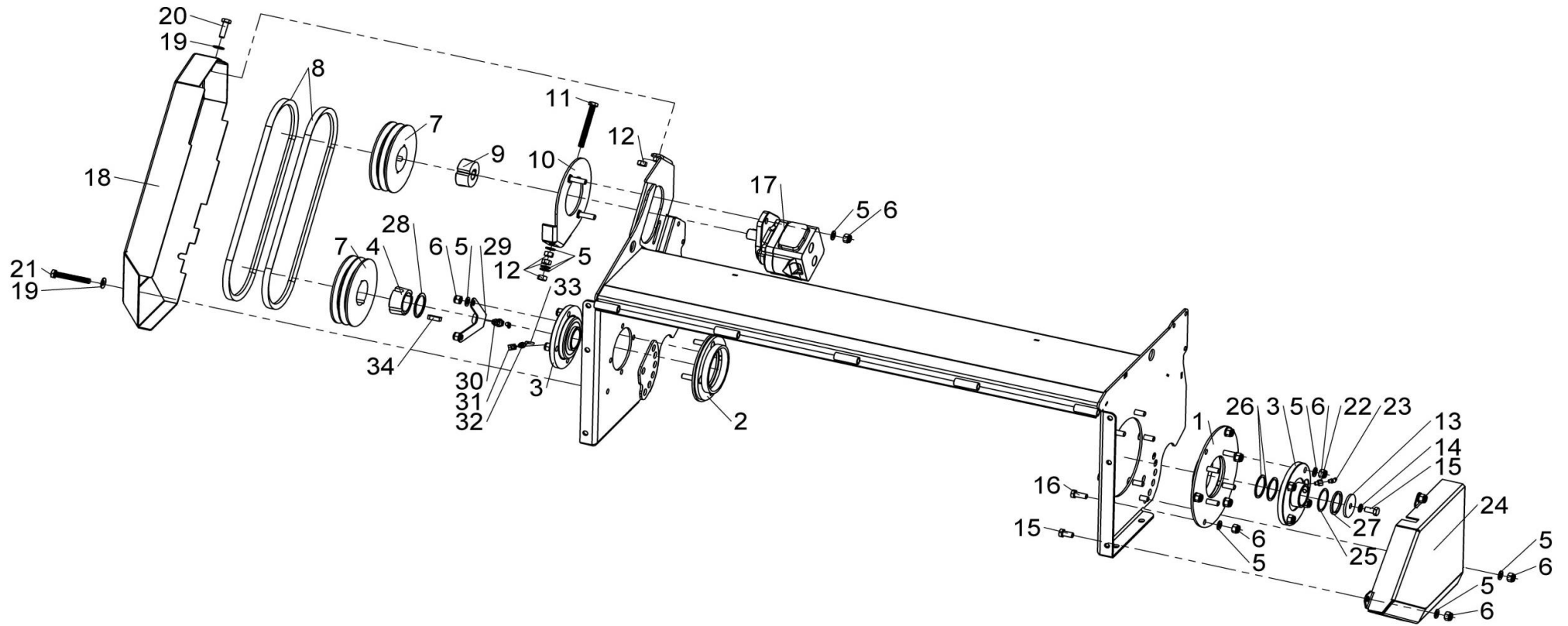


KIT-08264



**Shelbourne Reynolds Engineering Limited**

ASSY NUMBER: KIT-08266				ASSY DESCRIPTION: RH HEAD DRIVE KIT (110 DIA) 350 & 450			
ITEM	PART NO	DESCRIPTION	QTY	ITEM	PART NO	DESCRIPTION	QTY
2	802472 01	BEARING MOUNTING W/ASSY	1				
3	BRG-25043	FLANGED BEARING	2				
4	BSHZ05056	TAPER LOCK BUSH	1				
5	WSH-0018	PLAIN WASHER	19				
6	NUT-0269	NUT	18				
7	802304 01	PULLEY	2				
8	BEL-10145	VEE BELT	2				
9	BSHZ14032	TAPERLOCK BUSH TAPERLOCK BUSH	1				
10	803576 02	MOUNTING PLATE W/ASSY	1				
11	HSSA12590	HEX. HEAD SET SCREW	1				
12	NUT-0170	PLAIN NUT PLATED	4				
13	198800 13	WASHER 13x60x5	1				
14	WSH-0065	SPRING WASHER	1				
15	HSS-0235	SET SCREW	3				
16	HSS-0238	BOLT	6				
17	MOTH02601	MOTOR PAINTED BLACK	1				
18	803574 02	BELT GUARD	1				
19	WSHA30121	WASHER	2				
20	HSS-0250	SET SCREW	1				
21	HSSA12530	HEX.HEAD SET SCREW	1				
22	802386 01	NIPPLE EXTENSION	1				
23	NIP-00810	GREASE NIPPLE	1				
24	802481 02	IDLE END GUARD	1				
25	198800 20	WASHER 51X60X4	2				
26	198800 21	WASHER 51x60x2	2				
27	198800 22	WASHER 51x60x4	1				
28	802482 01	SPACER	1				
29	803458 02	BRACKET	1				
30	LUB-00052	BULKHEAD ST	1				
31	LUB-00054	ADAPTER 45 DEG	1				
32	LUB-00053	MALE CONNECTOR, ST	1				
33	LUB-00044	PLASTIC TUBE	1				
34	K1409032	KEY	1				



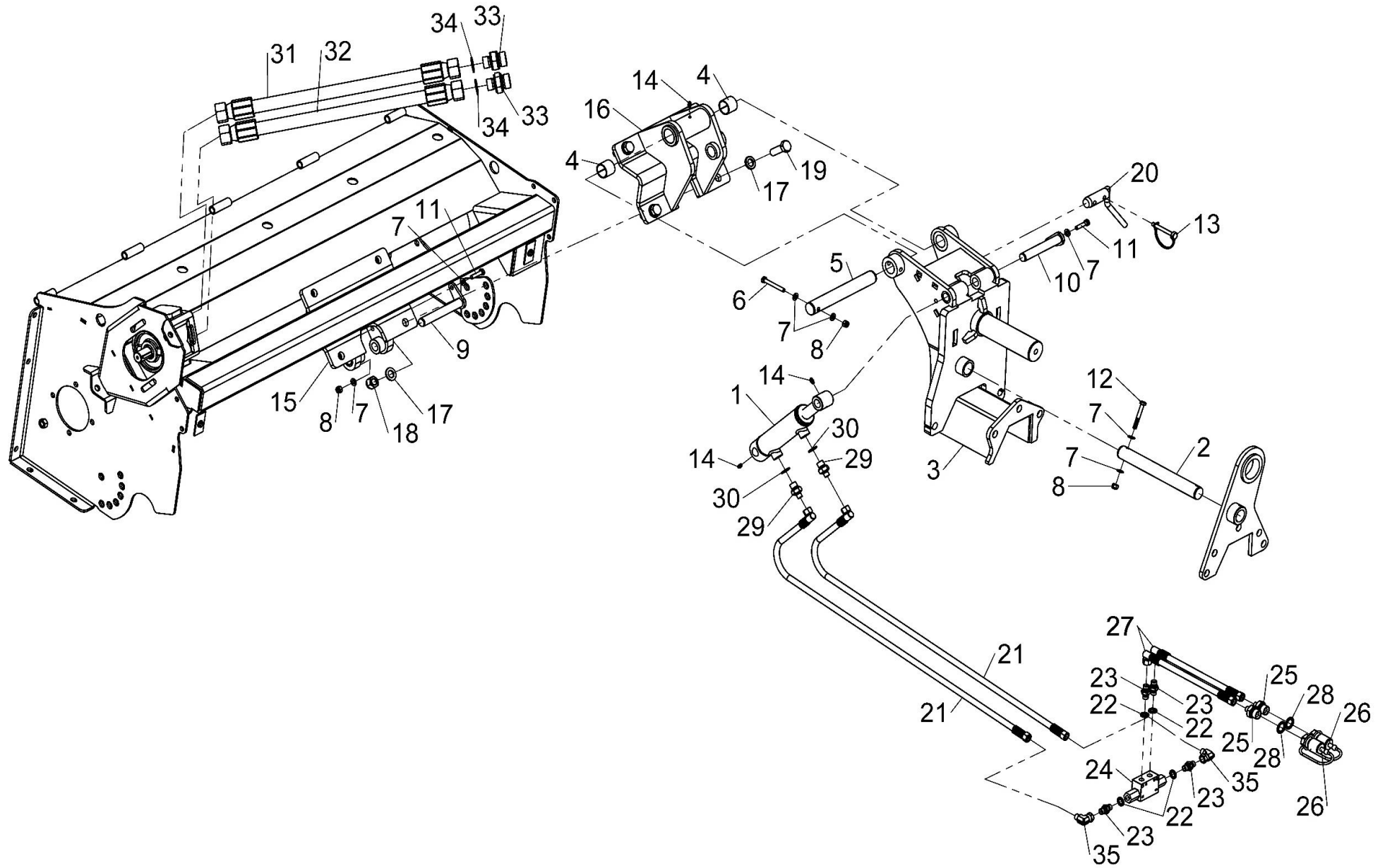
KIT-08266



### Shelbourne Reynolds Engineering Limited

ASSY NUMBER: KIT-08267				ASSY DESCRIPTION: NARROW LANE KIT (200/300/400)			
ITEM	PART NO	DESCRIPTION	QTY	ITEM	PART NO	DESCRIPTION	QTY
1	RAM-0002	DOUBLE ACTING RAM	1				
2	800101 40	PIN	1				
3	804601 01	BOOM MTG BRACKET	1				
4	BSH-3030	BUSH PLAIN	2		KIT-08267	5.0mt BOOM	
5	800101 19	PIN - BB RAM ROD	1		KIT-08267A	5.7mt BOOM	
6	BLTA08410	HEX.HEAD BOLT	1				
7	WSH-0012	PLAIN WASHER	7				
8	NUT-0263	NYLOC NUT	3		KIT-08267HYD	5.0mt BOOM 1.2mt HYDRAULICS	
9	804612 01	PIN W/ASSY (150 LG)	1		KIT-08267AHYD	5.7mt BOOM 1.2mt HYDRAULICS	
10	801346 01	NARROW LANE PIN (179 LG)	1				
11	HSS-0152	SET SCREW	2				
12	BLTA08380	HEX.HEAD BOLT	1				
13	PIN-1720	SPRING PIN 'D' CLIP	1				
14	NIP-00600	GREASE NIPPLE	3				
15	804595 01	CLAMP W/ASSY	1				
16	804598 01	CLAMP W/ASSY	1				
17	WSH-0024	PLAIN WASHER	8				
18	NUT-0271	NYLOC NUT	4				
19	HSS-0318	SET SCREW	4				
20	801319 01	MD LOCKING PIN	1				
21	HHCC67005	HOSE 5.0Mt	2				
OR	HHCC74605	HOSE 5.7Mt	2				
22	WSH-1005	DOWTY WASHER	8				
23	HMA-0052	ADAPTER	8				
24	HVB-27000	VALVE DOUBLE PO CHECK	1				
25	HMA-0055	ADAPTER	2				
26	COU-0162	QUICK REL COUP	2				
27	HHCC15005	HYD HOSE	2				
28	WSH-1015	WSH-1015	2				
29	190859 01	ADAPTOR	2				
30	WSH-1010	DOWTY WASHER	2				
31	HHAI15205	HYD HOSE 2023 & ON	1				
OR	HHDI15205	HYD HOSE UPTO 2023	-				
32	HHAI16205	HYD HOSE 2023 & ON	1				
OR	HHDI16205	HYD HOSE UPTO 2023	-				
33	HMA-0075	ADAPTOR	2				
34	WSH-1020	DOWTY WASHER	2				
35	HALAA0303	HYD ELBOW 90	2				





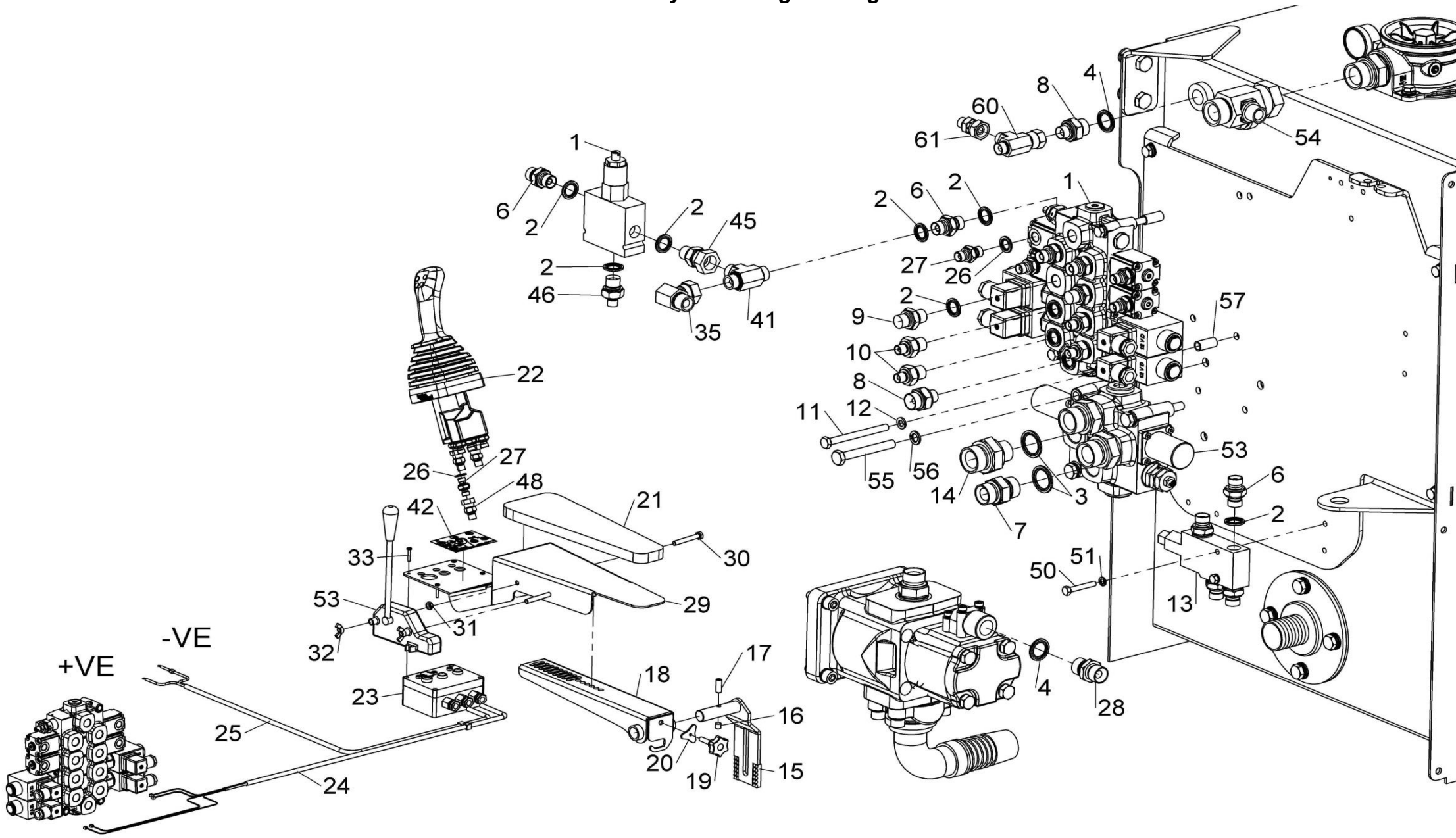
KIT-08267





## Shelbourne Reynolds Engineering Limited

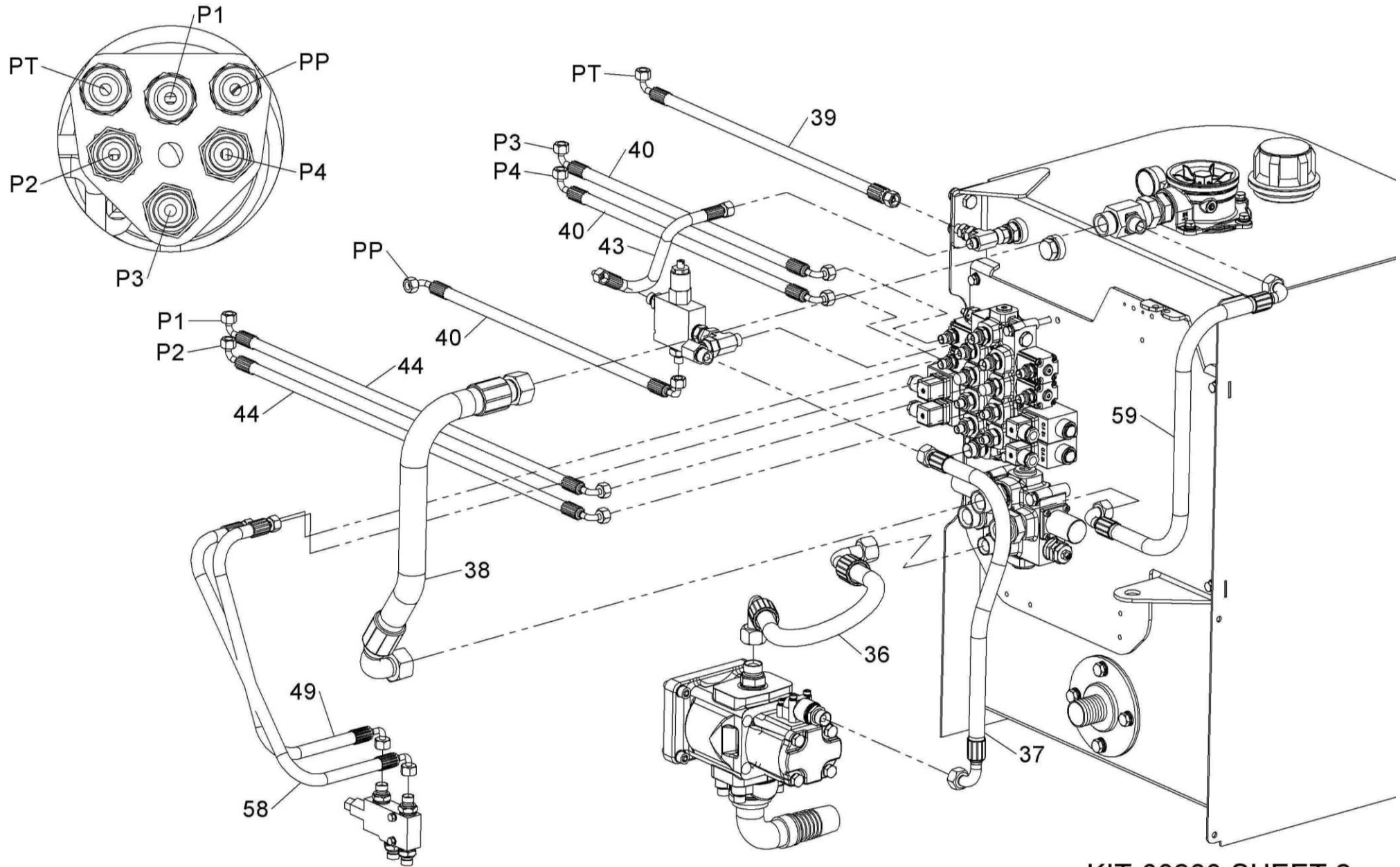
ASSY NUMBER: KIT-08268				ASSY DESCRIPTION: OIL/ELEC CONTROLS KIT (4 SERVICE) (400)			
ITEM	PART NO	DESCRIPTION	QTY	ITEM	PART NO	DESCRIPTION	QTY
1	HVB-49030	MAIN VALVE BLOCK	1	39	HHBC34005	HOSE	1
1A	HVB-49020B	CHECK VALVE P-LINE	-	40	HHEC30105	HOSE	3
1B	HVB-49030A	CHECK VALVE T LINE	-	41	FITA10050	TEE FITTING	1
1C	HVB-49030B	PRESSURE REDUCING VALVE COMP	-	42	802630 01	JOY-10005 CONTROL DECAL	1
1D	HVC-05005	FIXED PRESSURE CARTIRAGE	-	43	HHBE03305	HOSE	1
2	WSH-1010	DOWTY WASHER	15	44	HHEC34005	HOSE	2
3	WSH-1020	DOWTY WASHER	4	45	FIT-0240	ADAPTOR	2
4	WSH-1015	DOWTY WASHER	2	46	FIT-0025	ADAPTOR	1
5							
6	HMA-0057	ADAPTOR	7	48	FIT-0520	ADAPTOR	3
7	HMA-0074	ADAPTOR	1	49	HHBE05005	HOSE	1
8	HMA-0065	ADAPTOR	2	50	BLTA06260	BOLT	2
9	HAMAA0505	ADAPTOR	2	51	WSH-0056	WASHER	2
10	190859 01	ADAPTOR	4	52			
11	BLTA08530	BOLT	3	53	HVB-09930	FLAIL VALVE ASSY	1
12	WSH-0058	WASHER SPRING	3	53A	HVB-09095B	CABLE ADAPTER KIT	-
13	HVB-29505	OVER CENTRE VALVE	1	53B	HVB-09095C	LEVER CONTROL HANDLE	-
14	HMA-0075	ADAPTOR	3	53C	HVB-09095G	REMOTE CABLE	-
15	801121 01	ARM REST FIXING BRACKET	1	54	FITA10370	TEE FITTING	1
16	SCW-4590	GRUB SCREW	1	55	BLTA10500	BOLT	3
17	SCGA10178	GRUB SCREW	1	56	WSH-0061	WASHER SPRING	3
18	802218 01	ARM REST MOUNTING	1	57	804713 01	SPACER	3
19	KNO-0002	PLASTIC KNOB	1	58	HHBE06005	HOSE	1
20	801100 01	LOCKING PLATE	1	59	HHEF06505	HOSE	1
21	802242 01	FOAM PAD	1	60	FITA10410	TEE FITTING	1
22	JOY-10005	JOYSTICK	1	61	HACAA0305	FITTING	1
23	802562 01	JOYSTICK BOX	1	62	SCFC03260	SCREW	2
24	802563 01	MACHINE LOOM	1	63	NUTA02030	NYLOC NUT	2
25	802561 01	POWER LEAD	1				
26	WSH-1005	DOWTY WASHER	10				
27	HMA-0052	ADAPTOR	10				
28	HMA-0067	ADAPTOR	1				
29	802801 01	ARM REST	1				
30	HSSA08380	SETSCREW	2				
31	NUT-0164	PLAIN NUT	2				
32	NUT-0209	WING NUT	2				
33	SCFC04170	PAN HEAD SCREW	4				
35	HALAA0707	ELBOW	1				
36	HHEH05705	HOSE	1				
37							
38	HHBI05705	HOSE	1				



KIT-08268



DETAIL VIEW OF JOYSTICK PORTS



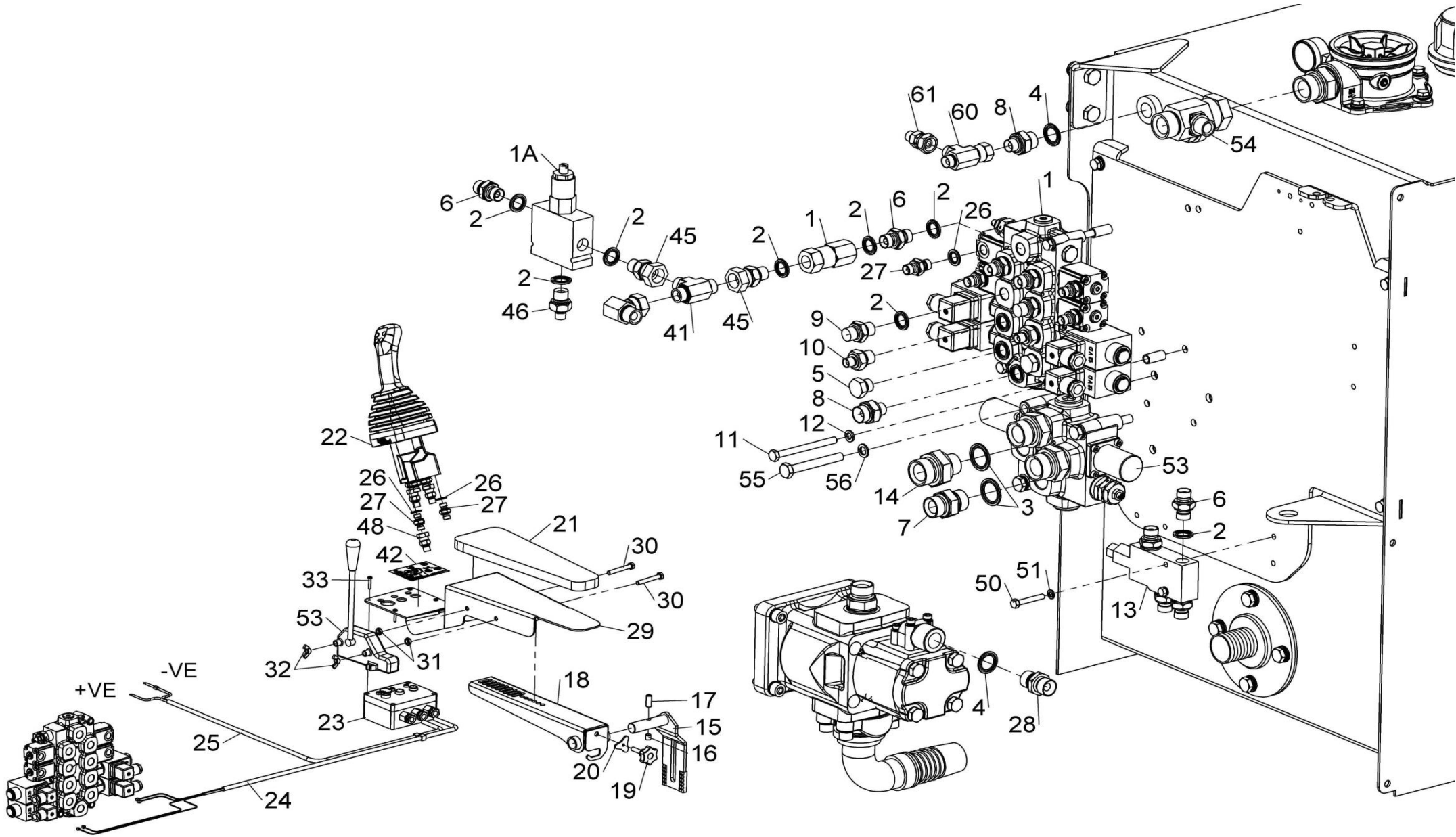
KIT-08268 SHEET 2





**Shelbourne Reynolds Engineering Limited**

ASSY NUMBER: KIT-08269				ASSY DESCRIPTION: OIL/ELEC CONTROLS KIT (3 SERVICE) (200/300)			
ITEM	PART NO	DESCRIPTION	QTY	ITEM	PART NO	DESCRIPTION	QTY
1	HVB-49030	MAIN VALVE ASSY	1	38	HHBI05705	HOSE	1
1A	HVB-49020B	CHECK VALVE	-	39	HHBC34005	HOSE	1
1B	HVB-49020C	PRESSURE REDUCING VALVE	-	40	HHEC30105	HOSE	3
2	WSH-1010	DOWTY WASHER	15	41	FITA10050	TEE FITTING	1
3	WSH-1020	DOWTY WASHER	4	42	802630 01	JOY-10005 CONTROL DECAL	1
4	WSH-1015	DOWTY WASHER	2	43	HHBE03305	HOSE	1
5	FIT-0251	BLANKING PLUG	2	44	HHEC34005	HOSE	2
6	HMA-0057	ADAPTOR	7	45	FIT-0240	ADAPTOR	2
7	HMA-0074	ADAPTOR	1	46	FIT-0025	ADAPTOR	1
8	HMA-0065	ADAPTOR	2	47	HALAA0303	ELBOW	1
9	HAMAA0505	ADAPTOR	2	48	FIT-0520	ADAPTOR	3
10	190859 01	ADAPTOR	2	49	HHBE05005	HOSE	1
11	BLTA08530	BOLT	3	50	BLTA06260	BOLT	2
12	WSH-0058	WASHER SPRING	3	51	WSH-0056	WASHER	2
13	HVB-29505	OVER CENTRE VALVE	1	52			
14	HMA-0075	ADAPTOR	3	53	HVB-09930	FLAIL VALVE ASSY	1
15	801121 01	ARM REST FIXING BRACKET	1	53A	HVB-09095B	CABLE ADAPTER KIT	-
16	SCW-4590	GRUB SCREW	1	53B	HVB-09095C	LEVER CONTROL HANDLE	-
17	SCGA10178	GRUB SCREW	1	53C	HVB-09095G	REMOTE CABLE	-
18	802218 01	ARM REST MOUNTING	1	54	FITA10370	TEE FITTING	1
19	KNO-0002	PLASTIC KNOB	1	55	BLTA10500	BOLT	3
20	801100 01	LOCKING PLATE	1	56	WSH-0061	WASHER SPRING	3
21	802242 01	FOAM PAD	1	57	804713 01	SPACER	3
22	JOY-10005	JOYSTICK	1	58	HHBE06005	HOSE	1
23	802562 01	JOYSTICK BOX	1	59	HHEF06505	HOSE	1
24	802563 01	MACHINE LOOM	1	60	FITA10410	TEE FITTING	1
25	802561 01	POWER LEAD	1	61	HACAA0305	FITTING	1
26	WSH-1005	DOWTY WASHER	10	62	SCFC03260	SCREW	2
27	HMA-0052	ADAPTOR	10	63	NUTA02030	NYLOC NUT	2
28	HMA-0067	ADAPTOR	1				
29	802801 01	ARM REST	1				
30	HSSA08380	SETSCREW	2				
31	NUT-0164	PLAIN NUT	2				
32	NUT-0209	WING NUT	2				
33	SCFC04170	PAN HEAD SCREW	4				
34							
35	HALAA0707	ELBOW	1				
36	HHEH05705	HOSE	1				
37	HHBF05505	HOSE	1				

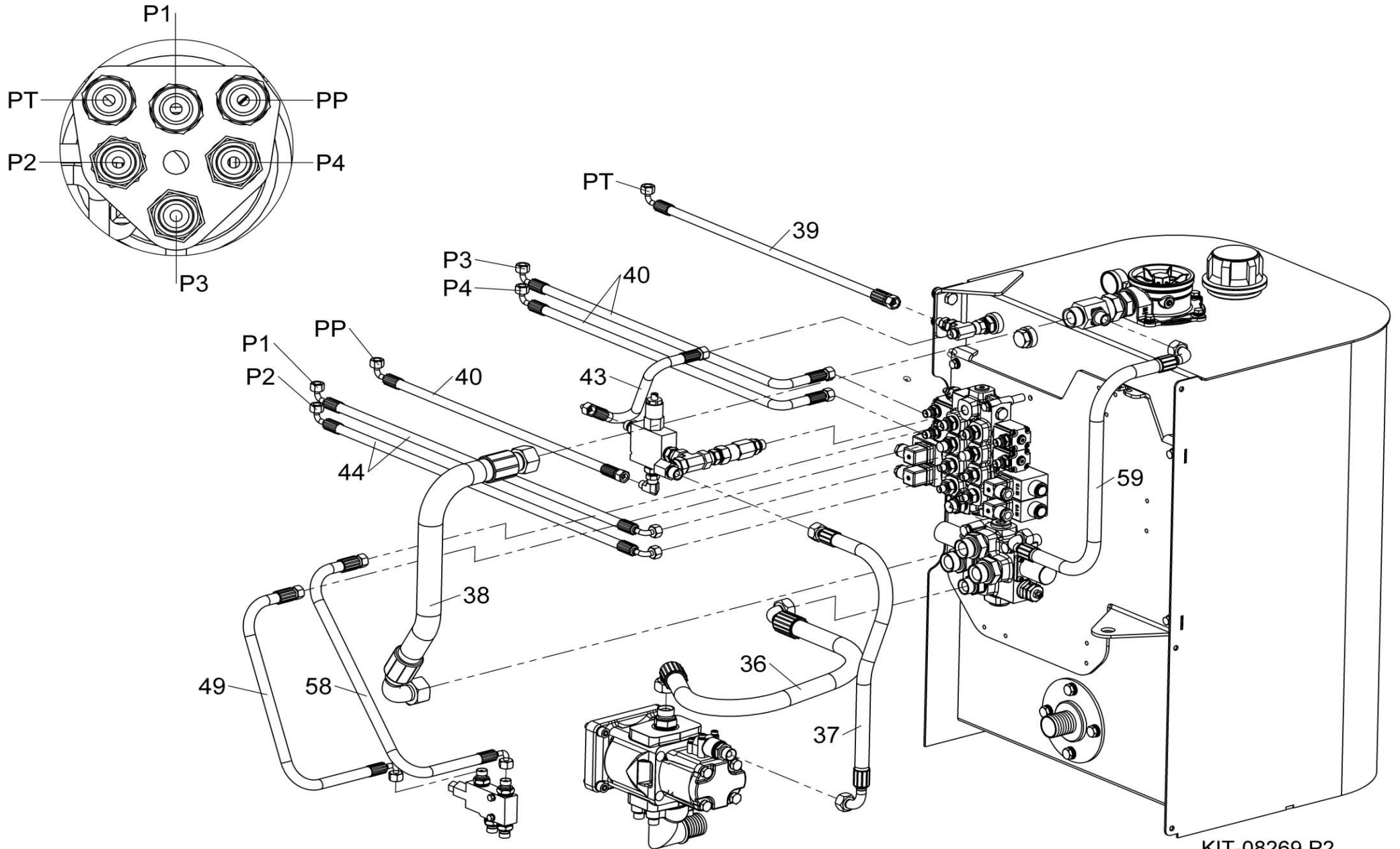


KIT-08269





DETAIL VIEW OF JOYSTICK PORTS

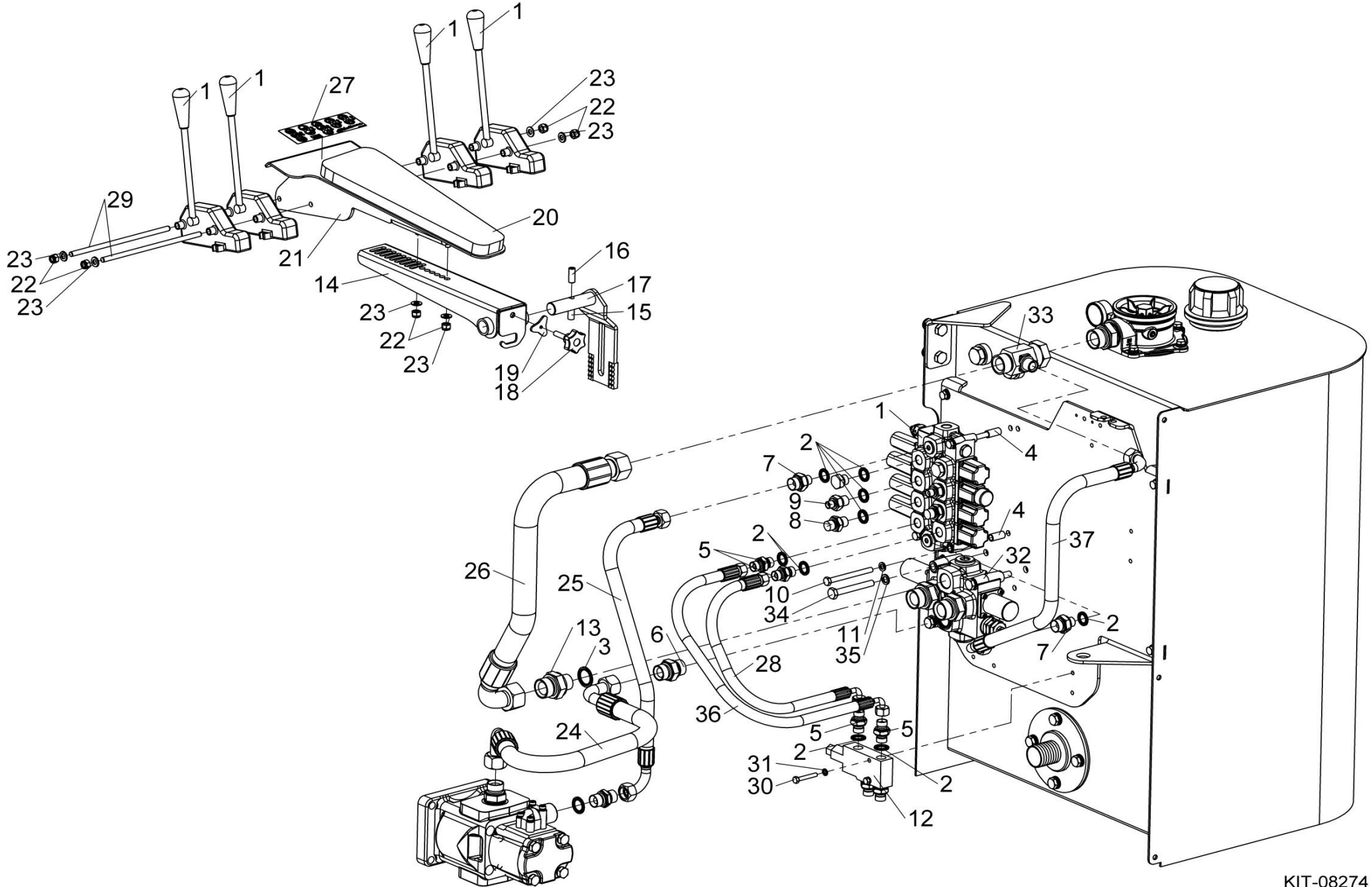


KIT-08269 P2



**Shelbourne Reynolds Engineering Limited**

ASSY NUMBER: KIT-08274				ASSY DESCRIPTION: 3 CABLE CONTROL KIT (3 SERVICE) (200/300)			
ITEM	PART NO	DESCRIPTION	QTY	ITEM	PART NO	DESCRIPTION	QTY
1	HVB-09105	MAIN CABLE CONTROL VALVE ASSY	1	35	WSH-0061	WASHER SPRING	3
1A	HVB-09095D	CABLE ADAPTOR KIT (SPARES)	-	36	HHBE06005	HOSE	1
1B	HVB-09095E	LEVER CONTROL HANDLE (SPARES)	-	37	HHEF06505	HOSE	1
1C	HVB-09095G	REMOTE CABLE 3.0Mt LG	-				
2	WSH-1010	DOWTY WASHER	14				
3	WSH-1020	DOWTY WASHER	4				
4	804713 01	SPACER	3				
5	HMA-0057	ADAPTOR	6				
6	HMA-0074	ADAPTOR	1				
7	HMA-0065	ADAPTOR	2				
8	HAMAA0505	ADAPTOR	2				
9	190859 01	ADAPTOR	2				
10	BLTA08530	BOLT	3				
11	WSH-0058	WASHER SPRING	3				
12	HVB-29505	OVER CENTRE VALVE	1				
13	HMA-0075	ADAPTOR	3				
14	801121 01	ARM REST FIXING BRACKET	1				
15	SCW-4590	GRUB SCREW	1				
16	SCGA10178	GRUB SCREW	1				
17	802218 01	ARM REST MOUNTING	1				
18	KNO-0002	PLASTIC KNOB	1				
19	801100 01	LOCKING PLATE	1				
20	802242 01	FOAM PAD	1				
21	802569 01	ARM REST W/A	1				
22	NUT-0263	NYLOC NUT	6				
23	WSH-0012	WASHER	6				
24	HHEH05705	HOSE	1				
25	HHBF05505	HOSE	1				
26	HHBI05705	HOSE	1				
27	802572 01	TRANSFER	1				
28	HHBE05005	HOSE	1				
29	802904 01	THREADED BAR	2				
30	BLTA06260	BOLT	2				
31	WSH-0056	WASHER	2				
32	HVB-09930	FLAIL VALVE ASSY	1				
32A	HVB-09095B	CABLE ADAPTER KIT	-				
32B	HVB-09095C	LEVER CONTROL HANDLE	-				
32C	HVB-09095G	REMOTE CABLE	-				
33	FITA10370	TEE FITTING	1				
34	BLTA10500	BOLT	3				



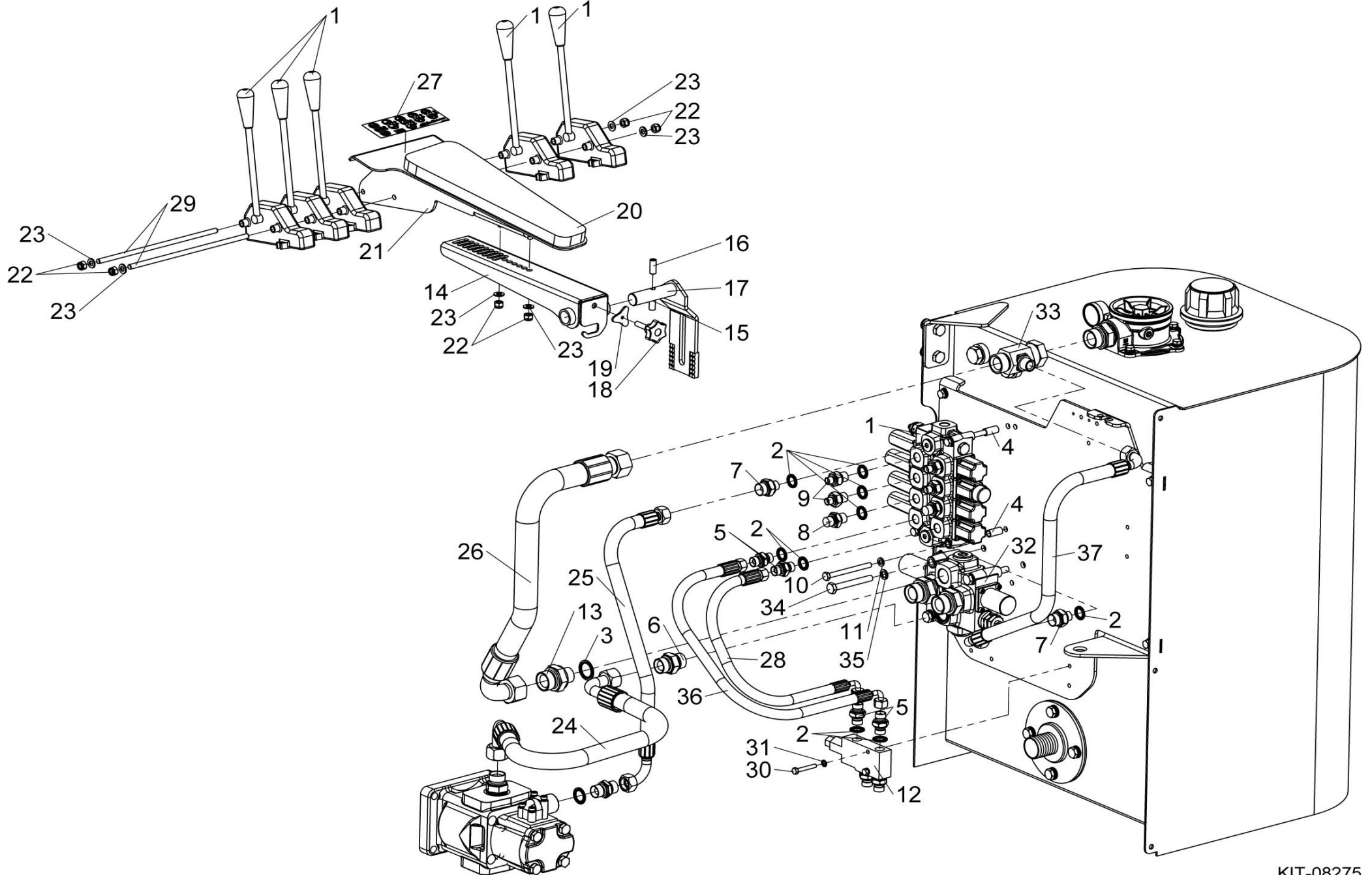
KIT-08274



**Shelbourne Reynolds Engineering Limited**

ASSY NUMBER: KIT-08275				ASSY DESCRIPTION: 4 CABLE CONTROL KIT (4 SERVICE) (400)			
ITEM	PART NO	DESCRIPTION	QTY	ITEM	PART NO	DESCRIPTION	QTY
1	HVB-09110	MAIN CABLE CONTROL VALVE ASSY	1	35	WSH-0061	WASHER SPRING	3
1A	HVB-09095D	CABLE ADAPTOR KIT (SPARES)	-	36	HHBE06005	HOSE	1
1B	HVB-09095E	LEVER CONTROL HANDLE (SPARES)	-	37	HHEF06505	HOSE	1
1C	HVB-09095G	REMOTE CABLE 3.0Mt LG	-				
2	WSH-1010	DOWTY WASHER	14				
3	WSH-1020	DOWTY WASHER	4				
4	804713 01	SPACER	3				
5	HMA-0057	ADAPTOR	6				
6	HMA-0074	ADAPTOR	1				
7	HMA-0065	ADAPTOR	2				
8	HAMAA0505	ADAPTOR	2				
9	190859 01	ADAPTOR	4				
10	BLTA08530	BOLT	3				
11	WSH-0058	WASHER SPRING	3				
12	HVB-29505	OVER CENTRE VALVE	1				
13	HMA-0075	ADAPTOR	3				
14	801121 01	ARM REST FIXING BRACKET	1				
15	SCW-4590	GRUB SCREW	1				
16	SCGA10178	GRUB SCREW	1				
17	802218 01	ARM REST MOUNTING	1				
18	KNO-0002	PLASTIC KNOB	1				
19	801100 01	LOCKING PLATE	1				
20	802242 01	FOAM PAD	1				
21	802569 01	ARM REST W/A	1				
22	NUT-0263	NYLOC NUT	6				
23	WSH-0012	WASHER	6				
24	HHEH05705	HOSE	1				
25	HHBF05505	HOSE	1				
26	HHBI05705	HOSE	1				
27	802572 01	TRANSFER	1				
28	HHBE05005	HOSE	1				
29	802903 01	THREADED BAR	2				
30	BLTA06260	BOLT	2				
31	WSH-0056	WASHER	2				
32	HVB-09930	FLAIL VALVE ASSY	1				
32A	HVB-09095B	CABLE ADAPTER KIT	-				
32B	HVB-09095C	LEVER CONTROL HANDLE	-				
32C	HVB-09095G	REMOTE CABLE	-				
33	FITA10370	TEE FITTING	1				
34	BLTA10500	BOLT	3				

Shelbourne Reynolds Engineering Limited

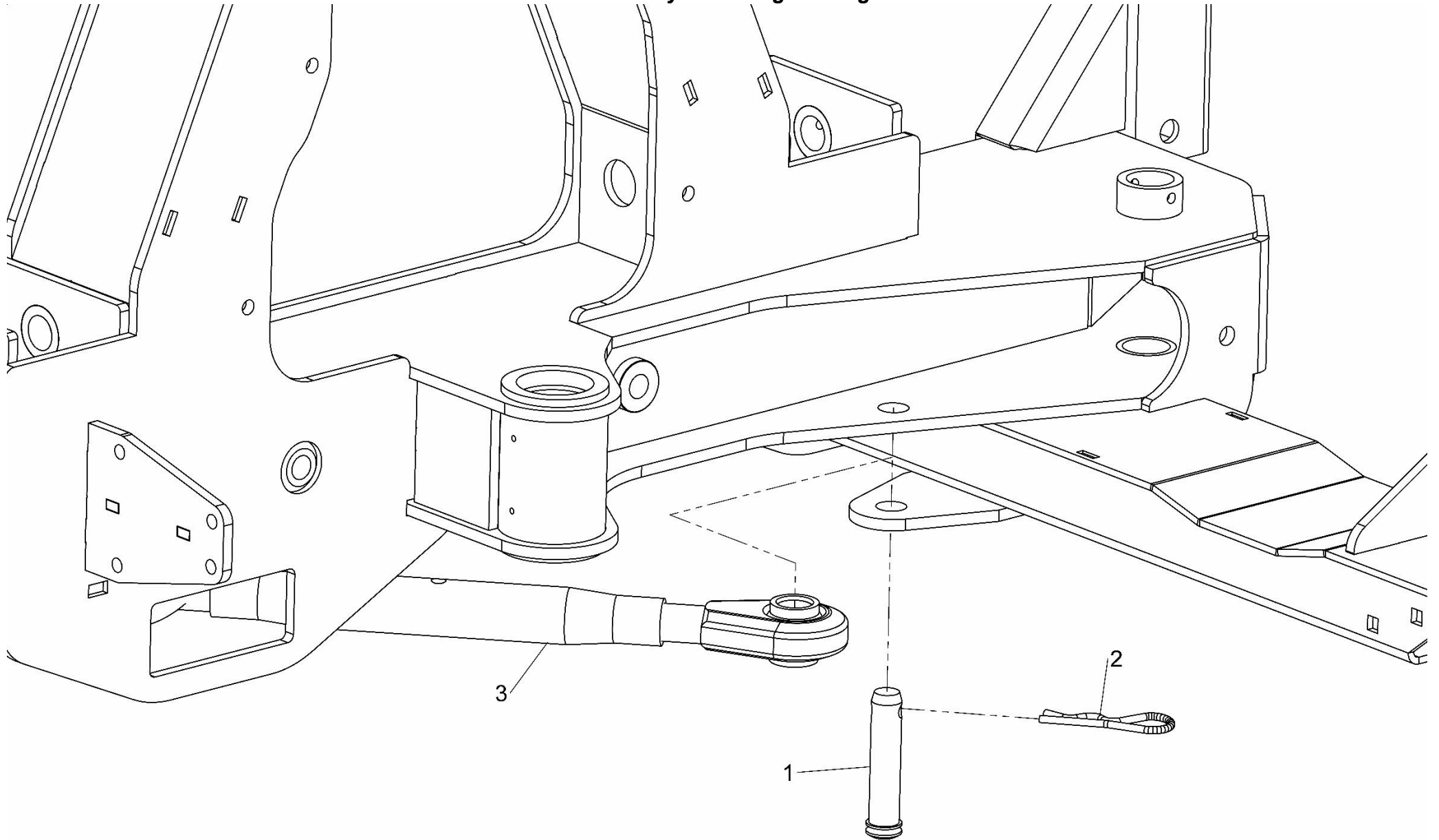


KIT-08275



**Shelbourne Reynolds Engineering Limited**

ASSY NUMBER: KIT-08284				ASSY DESCRIPTION: DRAWBAR KIT (400,600,6000, 7000,HD800 & 8000)			
ITEM	PART NO	DESCRIPTION	QTY	ITEM	PART NO	DESCRIPTION	QTY
1	800198 01	TOP LINK PIN CAT II	1				
2	CLP-00106	R CLIP	1				
3	ADL-13500	ADJUSTABLE TOP LINK	1				
OR	ADL-13570	ADJUSTABLE TOP LINK (LONGER)	AR				
						FOR 400 PB45X201298 & ON FOR 600 MID 2019 & ON	



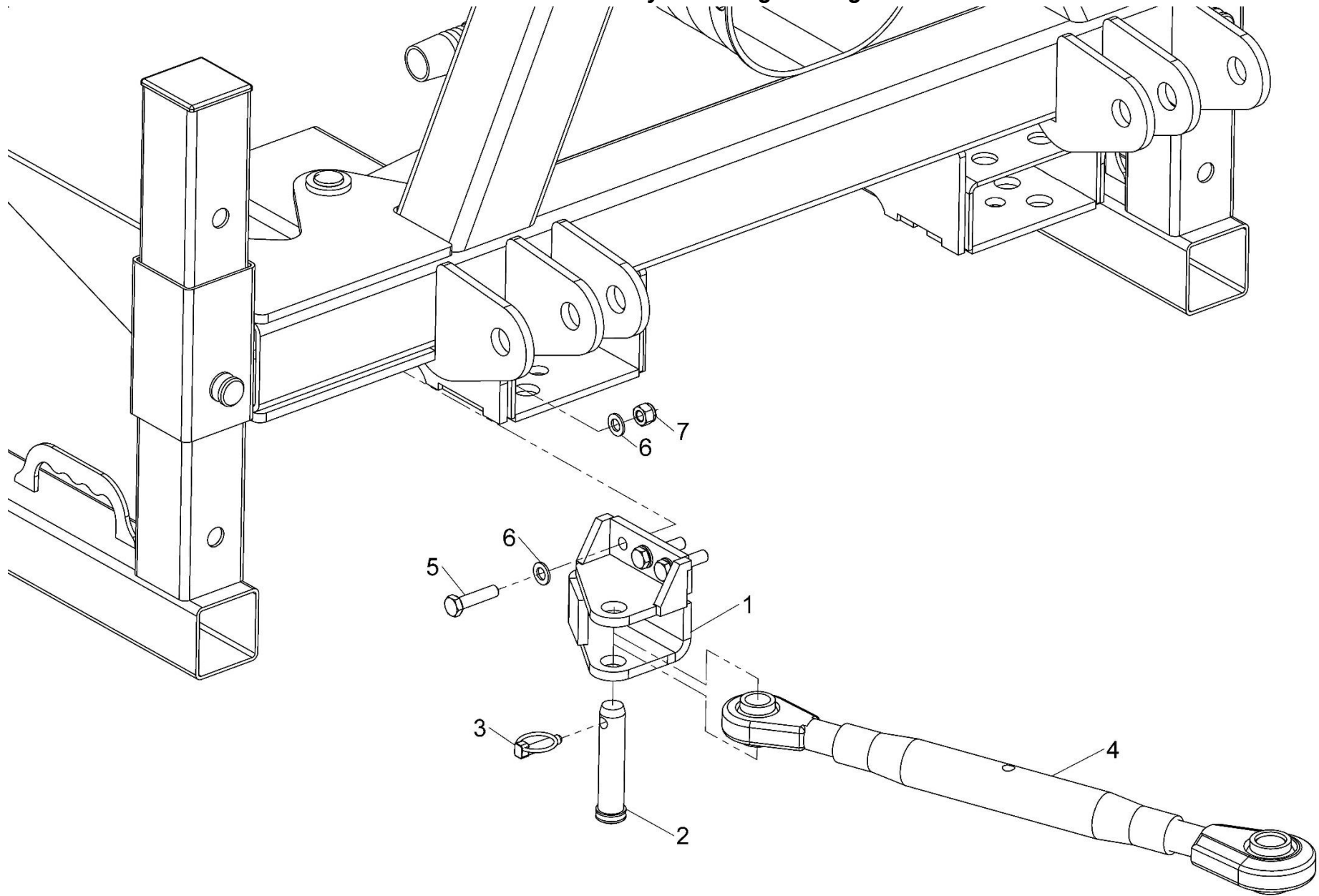
KIT-08284



**Shelbourne Reynolds Engineering Limited**

ASSY NUMBER: KIT-08317				ASSY DESCRIPTION: DRAWBAR KIT FOR 400 & 600 SERIES			
ITEM	PART NO	DESCRIPTION	QTY	ITEM	PART NO	DESCRIPTION	QTY
1	805025 01	BRACKET W/ASSY	1				
2	800198 01	TOP LINK PIN CAT II	1				
3	PIN-01950	LYNCH PIN	1				
4	ADL-13500	ADJUSTABLE TOP LINK	1			FOR 400 UPTO PB45X201298	
5	HSS-0260	SETSCREW	3			FOR 600 UPTO MID 2019	
6	WSH-0018	PLAIN WASHER	6				
7	NUT-0269	NYLOC NUT	3				





KIT-08317

