

# Shelbourne

REYNOLDS

## 550 & 556

### PARTS MANUAL



# POWERVERBLADE

Shelbourne Reynolds Engineering Ltd  
Stanton  
Bury St Edmunds  
Suffolk  
IP31 2AR  
England

Telephone: 01359 250415  
Fax: 01359 250464

Stores Direct : 01359 251231  
Stores Direct: 01359 252031

Issue 18      07/03/2022

[www.shelbourne.com](http://www.shelbourne.com)



 YouTube

# ORDERING SPARE PARTS

## IMPORTANT

Your Powerblade is made up of a Machine assembly number (common parts), specific sub assemblies and also customer optional build kits. The machine, sub assemblies and optional kit numbers are listed in the front pages of your Operators manual, part no. MAN-10106. If you do not have these numbers please contact Shelbourne Reynolds Parts Department direct on (telephone) 01359 251231.

To ensure that you order the correct part from your SRE dealer please use the following procedure.

## **ALWAYS QUOTE THE MACHINE AND SERIAL NUMBERS WHEN ORDERING.**

Refer to the Parts Manuals front page/s, listing the machine assemblies. Select the correct machine assembly number which is printed in the top left corner of the page (starting with 8099\_ \_ 01), This machine number can also be taken off the Powerblade identification plate located on the front of the main chassis beam.

On this page you will find the parts listing for the common parts for every configuration of that machine assembly number. You will find the corresponding drawing by either looking at the facing page or progressing through the manual to the next drawing. The drawings indicate the components by item numbers, which you will find, are repeated in the left-hand side of your parts listing, and therefore referring to the correct part.

Note all parts will not be found listed below the machine number. Other parts will be from specific sub assemblies and optional kits. These sub assemblies and kits will be found in numerical order further through the manual. Sub assemblies start with 8090\_ \_ 01 and kits start with  
KIT- \_ \_ \_ \_ .



## List Of Kit Numbers

809012 01	Hydraulic Tank Sub Assembly	18
809013 01	Head Fixing Sub Assembly	20
809014 01	Transfers Sub Assembly	22
809020 01	Transfers (Blue)	24
KIT-08000	Flail Assembly (1.2m)	28
KIT-08001	Flail Assembly (1.5m)	30
KIT-08015	Stablisers - Axle Mounting	32
KIT-08048	Mesh Guard Kit	34
KIT-08076	3 Point Stabiliser Kit	36
KIT-08091	Direct Drive And Flail Mounting Kit	38
KIT-08092	Head Shell, Nose & Roller, 1.2m Direct Drive	40
KIT-08093	Rear Lighting Kit	42
KIT-08094	Head Skid Cover Kit	44
KIT-08095	3 Point Linkage Assembly	46
KIT-08096	MD50 Fixed Inner Boom	48
KIT-08097	MD50 Fixed Outer Boom	50
KIT-08098	Independent Hyd Cable Control (Twin Pump)	53
KIT-08099	Semi-Independent Hyd Cable Control (Single Pump)	56
KIT-08101	MD56 Fixed Inner Boom	58
KIT-08102	MD56 Fixed Outer Boom	60
KIT-08103	Manual Arm Float	62
KIT-08104	Low Power Belt Drive & Flail Mounting Kit	65
KIT-08105	Head Shell, Nose & Roller 1.2m	68
KIT-08107	Adjustable Roller	70
KIT-08109	Independent Hyd Electric Control (Twin Pump)	73
KIT-08110	Electric Arm & Head Float Kit	76
KIT-08112	Head, Shell, Nose & Roller 1.5m	78
KIT-08115	Head Skid Wear Kit	80
KIT-08118	Head Shell, Nose & Roller 1.2m	82
KIT-08119	Direct Drive Head Shell, Nose & Roller 1.5m	84
KIT-08120	Adjustable Roller	86
KIT-08121	Head Shell, Nose & Roller 1.5m	88
KIT-08123	Direct Drive Head Shell & Roller 1.5m (2010 & ON)	92
KIT-08127	Narrow Lane Bracket With Hydraulic Roller	94
KIT-08161	Hydraulic Adjustable Roller	96
KIT-08165	Head Transfer Kit	98
KIT-08176	Hydraulic Adjustable Roller	100
KIT-08177	Head, Shell, Nose & Roller Kit 1.2m	102
KIT-08178	Head, Shell, Nose & Roller Kit 1.5m	104
KIT-08209	Rear Guard Kit	106
KIT-08211	Oil Cooler Kit	108

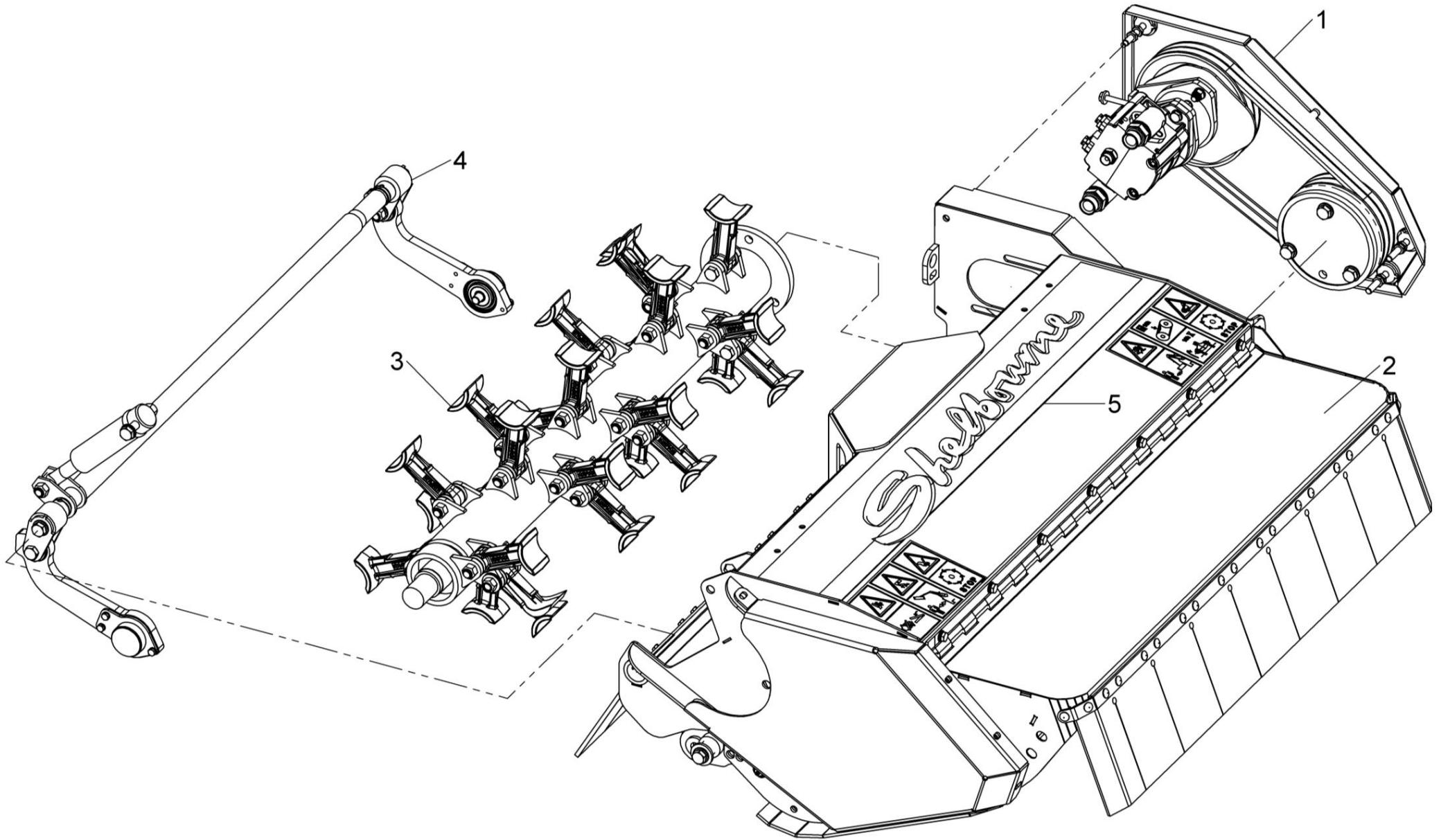




## Shelbourne Reynolds Engineering Limited

ASSY NUMBER: 809902 01				ASSY DESCRIPTION: 1.2 M HEAD ASSY, COMPLETE (LH DRIVE HEAD)			
ITEM	PART NO	DESCRIPTION	QTY	ITEM	PART NO	DESCRIPTION	QTY
1	809028 01	FLAIL MTG. & DRIVE SUB ASSY (PBXXX170760 & ON)	1				
OR	809010 01	FLAIL MTG. & DRIVE SUB ASSY (UP TO PBXXX170760)	1				
OR	809010 01BG	FLAIL MTG & DRIVE SUB ASSY BLUE & GREY (UP TO PBXXX170760)	1				
2	KIT-08177	1.2Mt HEAD (LH/OUTBOARD DRIVE) 2013 & ON	1				
OR	KIT-08177BG	1.2Mt HEAD (LH/OUTBOARD DRIVE) BLUE & GREY	1				
OR	KIT-08118	1.2Mt HEAD (LH/OUTBOARD DRIVE) UPTO 2013	1				
3	KIT-08000D	T FLAIL ASSY (1.2M) DROP FORGED (2018 & ON)	1				
OR	KIT-08000A	T FLAIL ASSY (CAST) (1.2M) (2013 UP TO 2018)	1				
4	KIT-08176A	1.2Mt ADJ ROLLER LINKAGE (LH DRIVE) BEARING TYPE (2013 & ON)	1				
OR	KIT-08176AB	1.2Mt ADJ ROLLER LINKAGE (LH DRIVE) BLUE	1		809902 01BG	1.2mt COMPLETE HEAD (LH DRIVE HEAD) - BLUE	
OR	KIT-08160A	1.2Mt ADJ ROLLER LINKAGE (LH DRIVE) (UPTO 2013)	1				
5	KIT-08165	HEAD TRANSFERS - BLUE UP TO 2016 ONLY	1				
OR	KIT-08165G	HEAD TRANSFERS - GREY	1				

**Shelbourne Reynolds Engineering Limited**



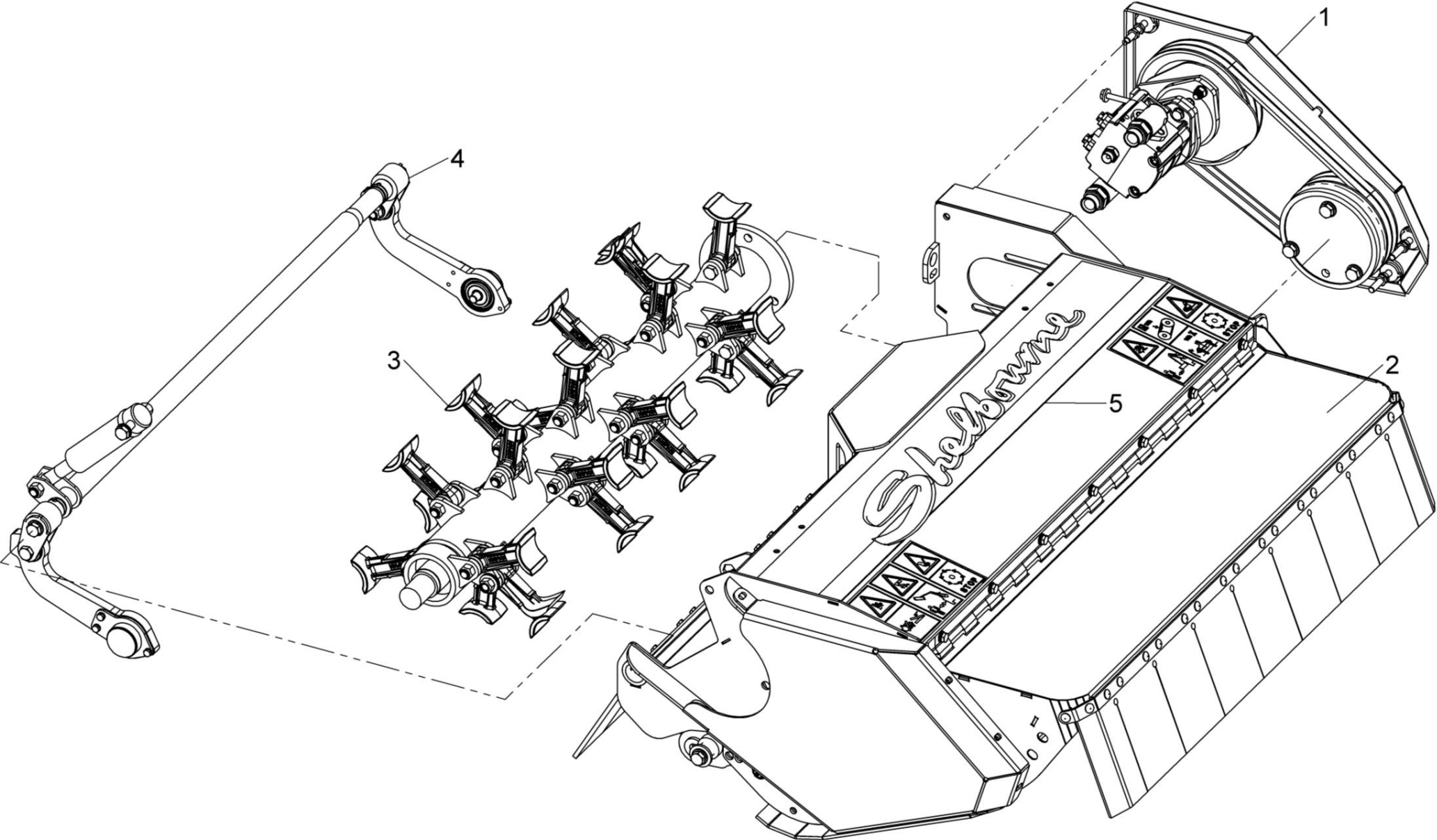
809902 01



## Shelbourne Reynolds Engineering Limited

ASSY NUMBER: 809902 02				ASSY DESCRIPTION: 1.5 M HEAD ASSY, COMPLETE			
ITEM	PART NO	DESCRIPTION	QTY	ITEM	PART NO	DESCRIPTION	QTY
1	809028 01A	FLAIL MTG & DRIVE SUB ASSY (PBXXX170760 & ON)	1				
OR	809010 01A	FLAIL MTG & DRIVE SUB ASSY (UP TO PBXXX170760)					
OR	809010 01ABG	FLAIL MTG & DRIVE - BLUE/GREY (UP TO PBXXX170760)					
2	KIT-08178	1.5Mt HEAD (LH/OUTBOARD DRIVE) 2013 & ON	1				
OR	KIT-08178BG	1.5Mt HEAD (LH/OUTBOARD DRIVE) BLUE/GREY					
OR	KIT-08121	1.5Mt HEAD (LH/OUTBOARD DRIVE) UPTO 2013					
3	KIT-08001D	T FLAIL ASSY (1.5M) DROP FORGED (2018 & ON)	1				
OR	KIT-08001A	T FLAIL ASSY (1.5M) (CAST) (2013 UP TO 2018)	1				
4	KIT-08176C	1.5Mt ADJ ROLLER LINKAGE BEARING TYPE (LH DRIVE) 2013 & ON	1				
OR	KIT-08176B	1.5Mt ADJ ROLLER LINKAGE BEARING TYPE (LH DRIVE) BLUE			809902 02BG	1.5mt COMPLETE HEAD (LH DRIVE HEAD) - BLUE	
OR	KIT-08160C	1.5Mt ADJ ROLLER LINKAGE LH DRIVE UPTO 2013					
5	KIT-08165	HEAD TRANSFERS - BLUE UP TO 2016 ONLY	1				
OR	KIT-08165G	HEAD TRANSFERS - GREY					

Shelbourne Reynolds Engineering Limited



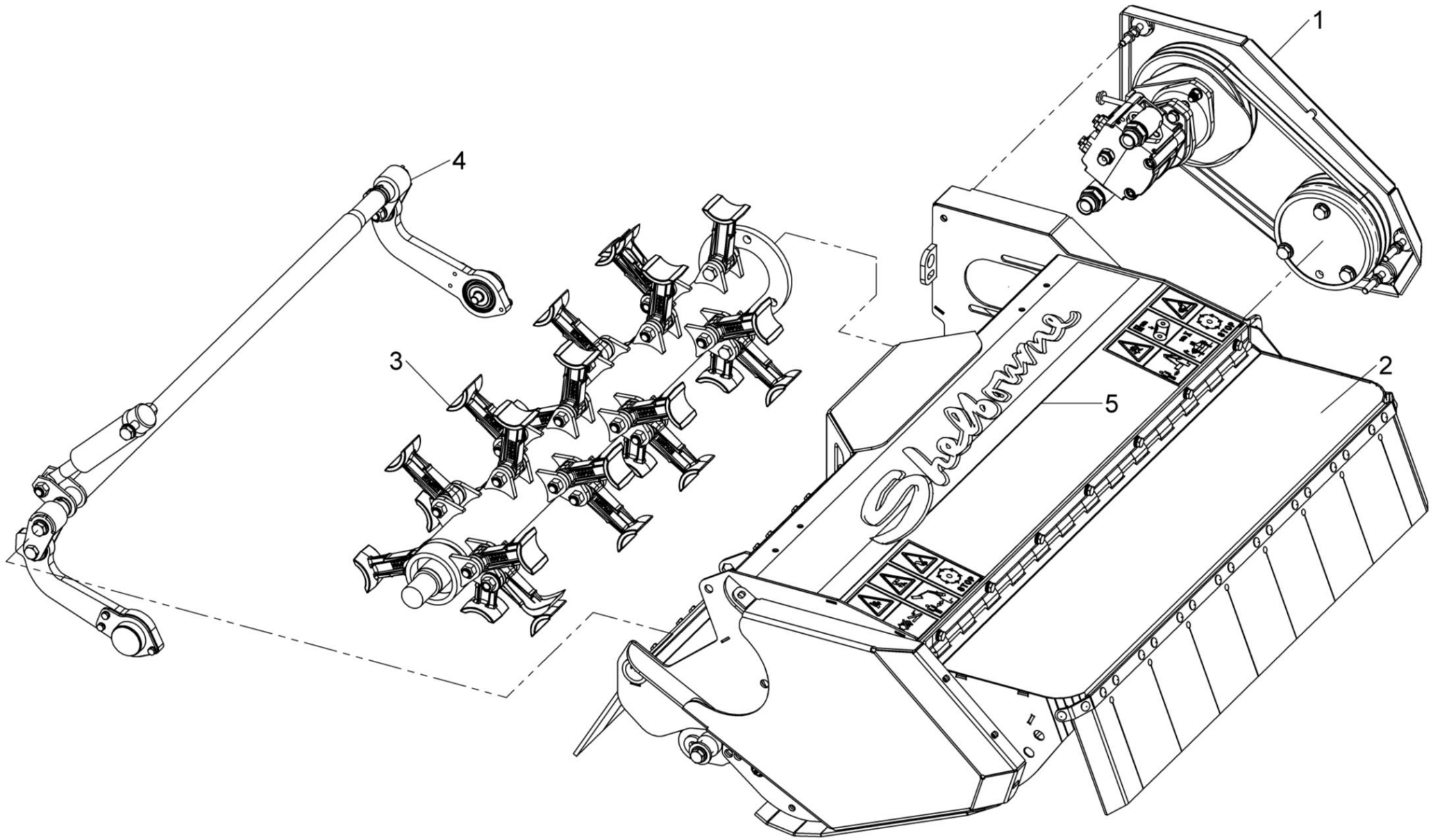
809902 02





## Shelbourne Reynolds Engineering Limited

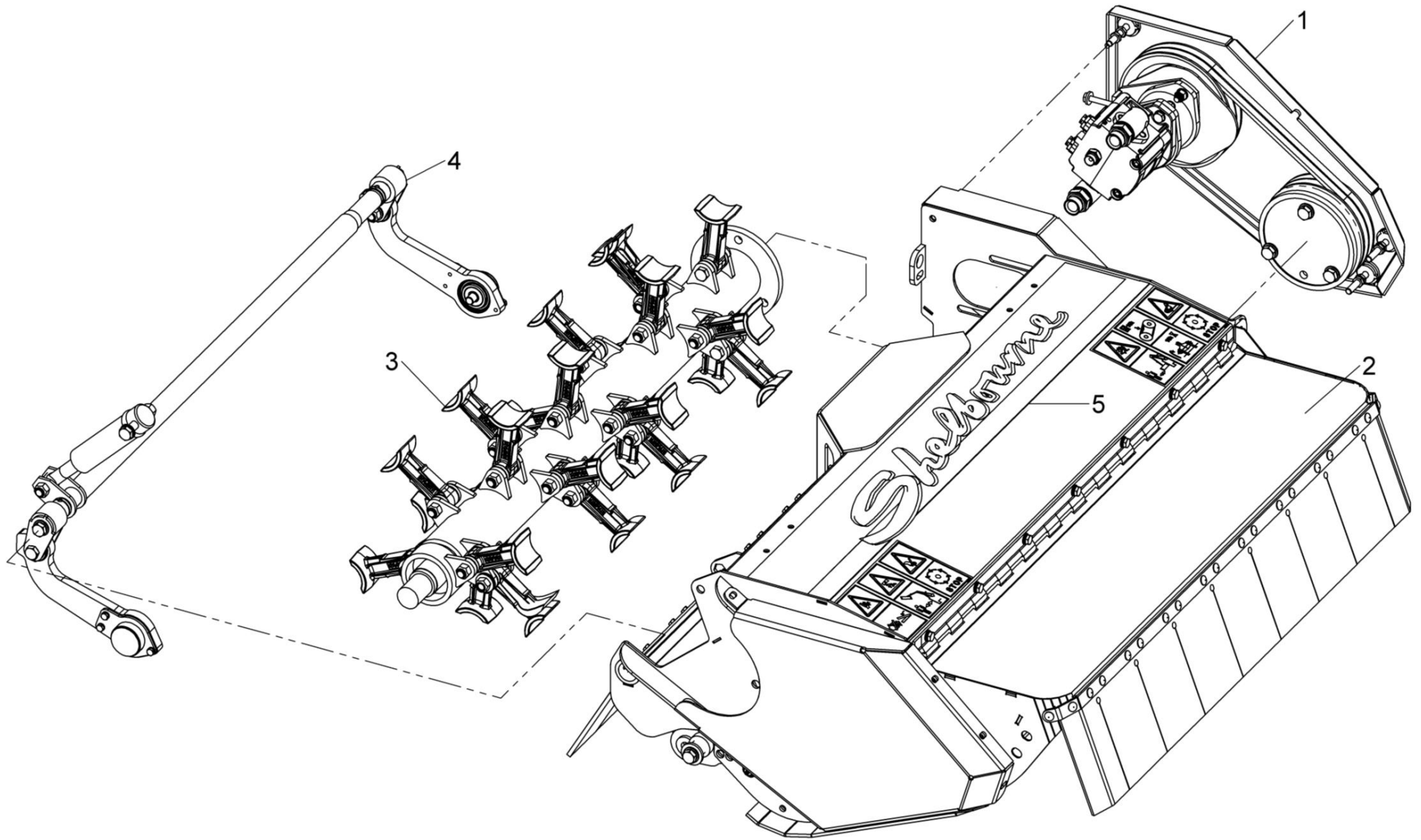
ASSY NUMBER: 809902 04				ASSY DESCRIPTION: 1.2 M HEAD ASSY RH DRIVE INBOARD, COMPLETE			
ITEM	PART NO	DESCRIPTION	QTY	ITEM	PART NO	DESCRIPTION	QTY
1	809028 01R	FLAIL MTG AND DRIVE (PBXXX170760 & ON)	1				
OR	809010 01R	FLAIL MTG AND DRIVE (UP TO PBXXX170760)					
OR	809010 01RBG	FLAIL MTG AND DRIVE BLUE & GREY (UP TO PBXXX170760)					
2	KIT-08177R	1.2Mt HEAD (RH/INBOARD DRIVE) 2013 & ON	1				
OR	KIT-08177RBG	1.2Mt HEAD (RH/INBOARD DRIVE) BLUE & GREY					
OR	KIT-08118R	1.2Mt HEAD (RH/INBOARD DRIVE) UPTO 2013					
3	KIT-08000D	T FLAIL ASSY (1.2M) DROP FORGED (2018 & ON)	1				
OR	KIT-08000A	T FLAIL ASSY (CAST) (1.2M) (2013 UP TO 2018)	1				
OR	KIT-08176BB	1.2Mt ADJ ROLLER LINKAGE (RH DRIVE) BLUE	1		809902 04BG	1.2mt COMPLETE HEAD (RH/INBOARD) - BLUE & GREY	
OR	KIT-08160B	1.2Mt ADJ ROLLER LINKAGE (RH DRIVE) UPTO 2013					
4	KIT-08176B	1.2Mt ADJ ROLLER LINKAGE	3				
5	KIT-08165	HEAD TRANSFERS - BLUE UP TO 2016 ONLY	1				
OR	KIT-08165G	HEAD TRANSFERS - GREY					



## Shelbourne Reynolds Engineering Limited

ASSY NUMBER: 809902 05				ASSY DESCRIPTION: 1.5 M HEAD ASSY RH DRIVE (INBOARD), COMPLETE			
ITEM	PART NO	DESCRIPTION	QTY	ITEM	PART NO	DESCRIPTION	QTY
1	809028 01AR	FLAIL MTG AND DRIVE (PBXXX170760 & ON)	1				
OR	809010 01AR	FLAIL MTG AND DRIVE (UP TO PBXXX170760)					
OR	809010 01ARBG	FLAIL MTG AND DRIVE BLUE & GREY (UP TO PBXXX170760)					
2	KIT-08178R	1.5Mt HEAD (RH/INBOARD DRIVE) 2013 & ON	1				
OR	KIT-08178RBG	1.5Mt HEAD (RH/INBOARD DRIVE) BLUE & GREY					
OR	KIT-08121R	1.5Mt HEAD (RH/INBOARD DRIVE) UPTO 2013					
3	KIT-08001D	T FLAIL ASSY (1.5M) DROP FORGED (2018 & ON)	1				
OR	KIT-08001A	T FLAIL ASSY (1.5M) (CAST) (2013 UP TO 2018)	1				
4	KIT-08176D	1.5Mt ADJ ROLLER LINKAGE (RH DRIVE) 2013 & ON	1				
OR	KIT-08176DB	1.5Mt ADJ ROLLER LINKAGE (RH DRIVE) BLUE					
OR	KIT08160D	1.5Mt ADJ ROLLER LINKAGE (RH DRIVE) UPTO 2013					
5	KIT-08165	HEAD TRANSFERS - BLUE UP TO 2016 ONLY	1				
OR	KIT-08165G	HEAD TRANSFERS - GREY					

**Shelbourne Reynolds Engineering Limited**



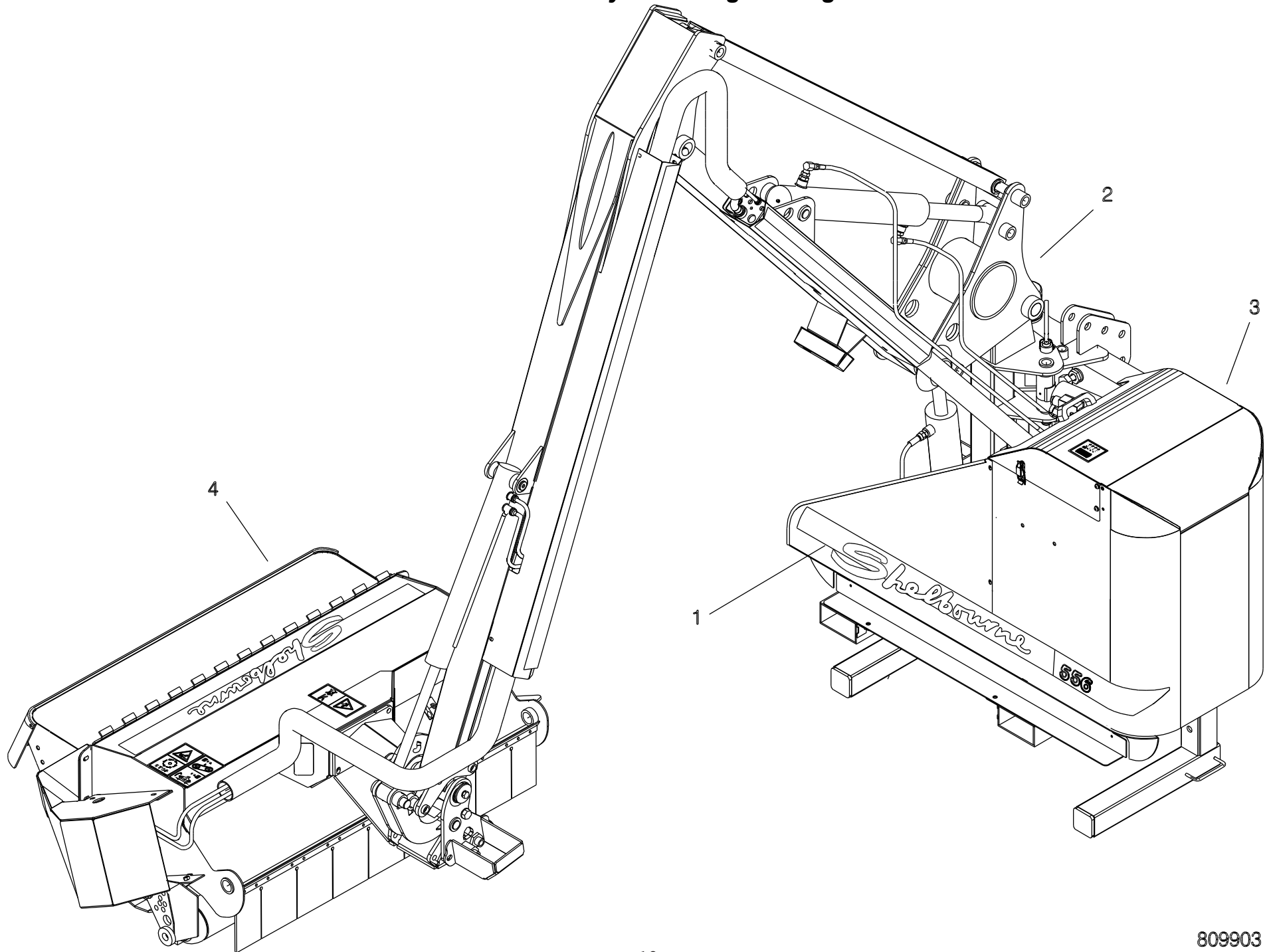
809902 05



## Shelbourne Reynolds Engineering Limited

ASSY NUMBER: 809903 01				ASSY DESCRIPTION: POWERBLADE TRIMMER ASSY			
ITEM	PART NO	DESCRIPTION	QTY	ITEM	PART NO	DESCRIPTION	QTY
1	809020 01	TRANSFER SUB (BLUE)	1				
2	809011 01	MAIN FRAME ASSY	1				
3	809012 01	HYDRAULIC TANK SUB ASSY	1				
4	809013 01	HEAD FIXING SUB ASSY	1				

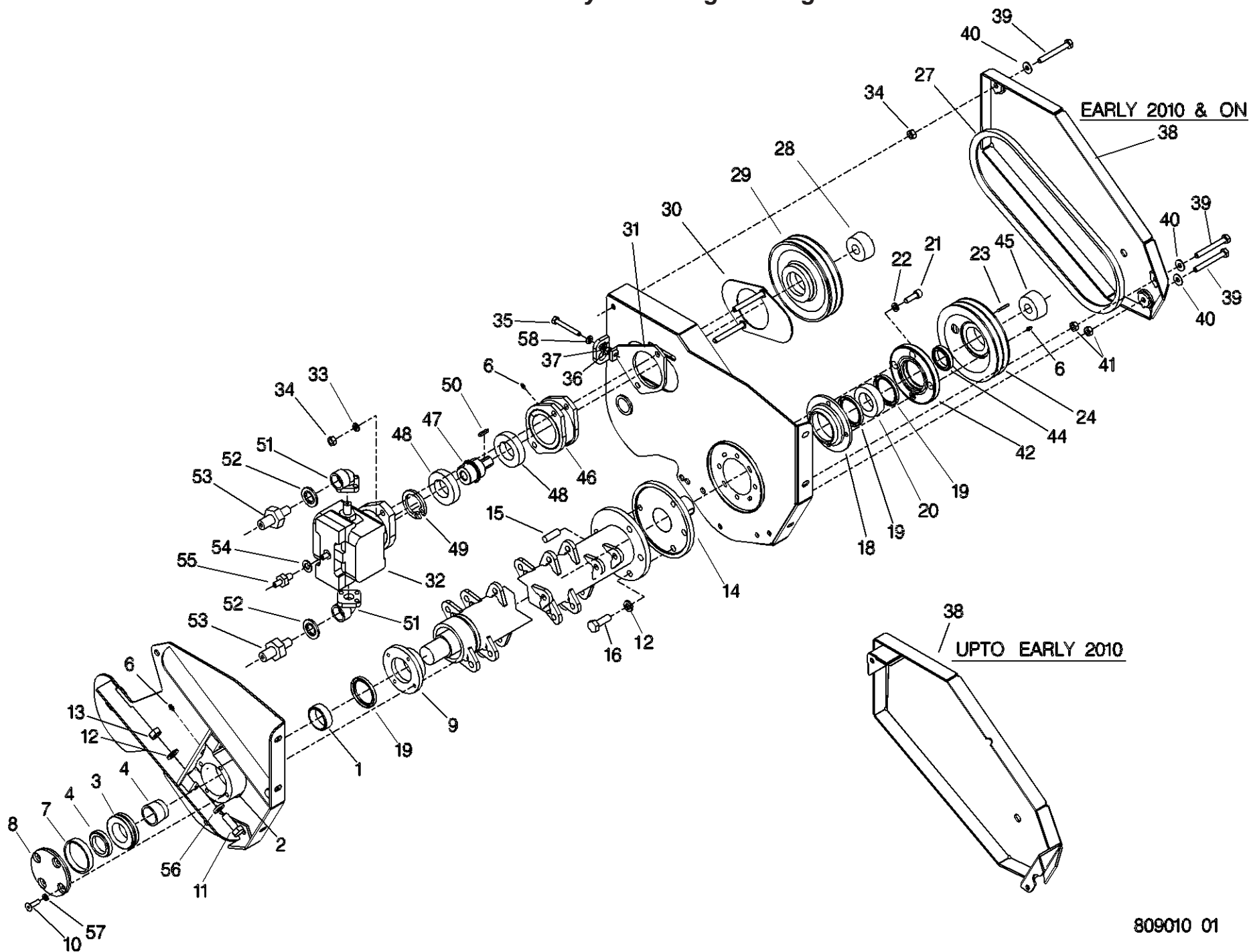




## Shelbourne Reynolds Engineering Limited

ASSY NUMBER: 809010 01				ASSY DESCRIPTION: FLAIL MTG.& DRIVE ASSY (UPTO PBXXX170760)			
ITEM	PART NO	DESCRIPTION	QTY	ITEM	PART NO	DESCRIPTION	QTY
1	800019 01	SLEEVE	1	35	HSSA10500	SET SCREW	1
2	800873 01	BEARING HOUSING	1	36	NUT-0167	PLAIN NUT	1
3	BRG-14580	BEARING	1	37	WSH-0015	PLAIN WASHER	1
4	BRG-94521	BEARING SLEEVE	1	38	801553 01	DRIVE COVER	1
5				OR	801553 02	DRIVE COVER RH HEAD DRIVE	1
6	NIP-00600	GREASE NIPPLE	3	39	HSSA12500	SETSCREW	3
7	800067 01	SPACER	1	40	WSHA30121	WASHER	3
8	802219 01	COVER(2012 & ON)	1	41			
OR	800874 01	COVER (UPTO 2012)	1	42	801064 02	BEARING RETAINER	1
9	800017 01	SLEEVE (1.2Mt)	1	43			
OR	804742 01	SLEEVE (1.5Mt)	1	44	801066 01	PULLEY SPACER	1
10	BLTA10440	HEX.HEAD BOLT	4	45	BSHZ05056	TAPER LOCK BUSH	1
OR	SCEA10473	CSK.SCREW (UPTO 2012)	1	46	801116 01	OUTRIGGER HOUSING WA	1
11	BLTA16474	BOLT	2	47	801104 01	OUTRIGGER SHAFT	1
12	WSHA30161	WASHER	3	48	BRG-15050	SUPPORT	2
13	NUTA15162	STOVER NUT	2	49	CIR010090	CIRCLIP INT	1
14	801067 01	DRIVE FLANGE	1	50	KEYB20000	KEY	1
15	193079 01	DOWEL PIN	1	51	FITF00005	FLANGE ELBOW CONNECTOR	2
16	HSSA16200	SETSCREW	3	52	WSH-1025	DOWTY WASHER (1")	2
17				53	FIT-0546	ADAPTOR	2
18	800700 02	BEARING HOUSING	1	54	WSH-1010	DOWTY WASHER	1
19	SEAA06500	SHAFT SEAL	3	55	HMA-0065	ADAPTOR	1
20	BRG-15080	BEARING	1	56	190119 85	WASHER	2
21	SCW-0245	SOC CAP HD SCREW	4	57	WSH-0061	SPRING WASHER	4
22	WSH-0065	SPRING WASHER	3	58	190119 11	WASHER	1
23	K1409032	KEY	1				
24	803097 01	DRIVE PULLEY PB7XX140345 & ON	1				
OR	801065 01	DRIVE PULLEY UPTO PB7XX140345	1				
25							
26							
27	BEL-10140	V-BELT	2				
28	BSHZ14032	TAPERLOCK BUSH	1				
29	800027 02	MOTOR PULLEY	1				
30	800023 02	RETAINING RING	1				
OR	800023 06	RETAINING RING RH HEAD DRIVE	1				
31	800028 01	MOTOR MTG.PLATE	1				
32	MOTH03900	HYD MOTOR	1				
32A	HMS03900	MOTOR SEAL KIT					
33	WSH-0018	PLAIN WASHER	2				
34	NUT-0269	NYLOC NUT	5				

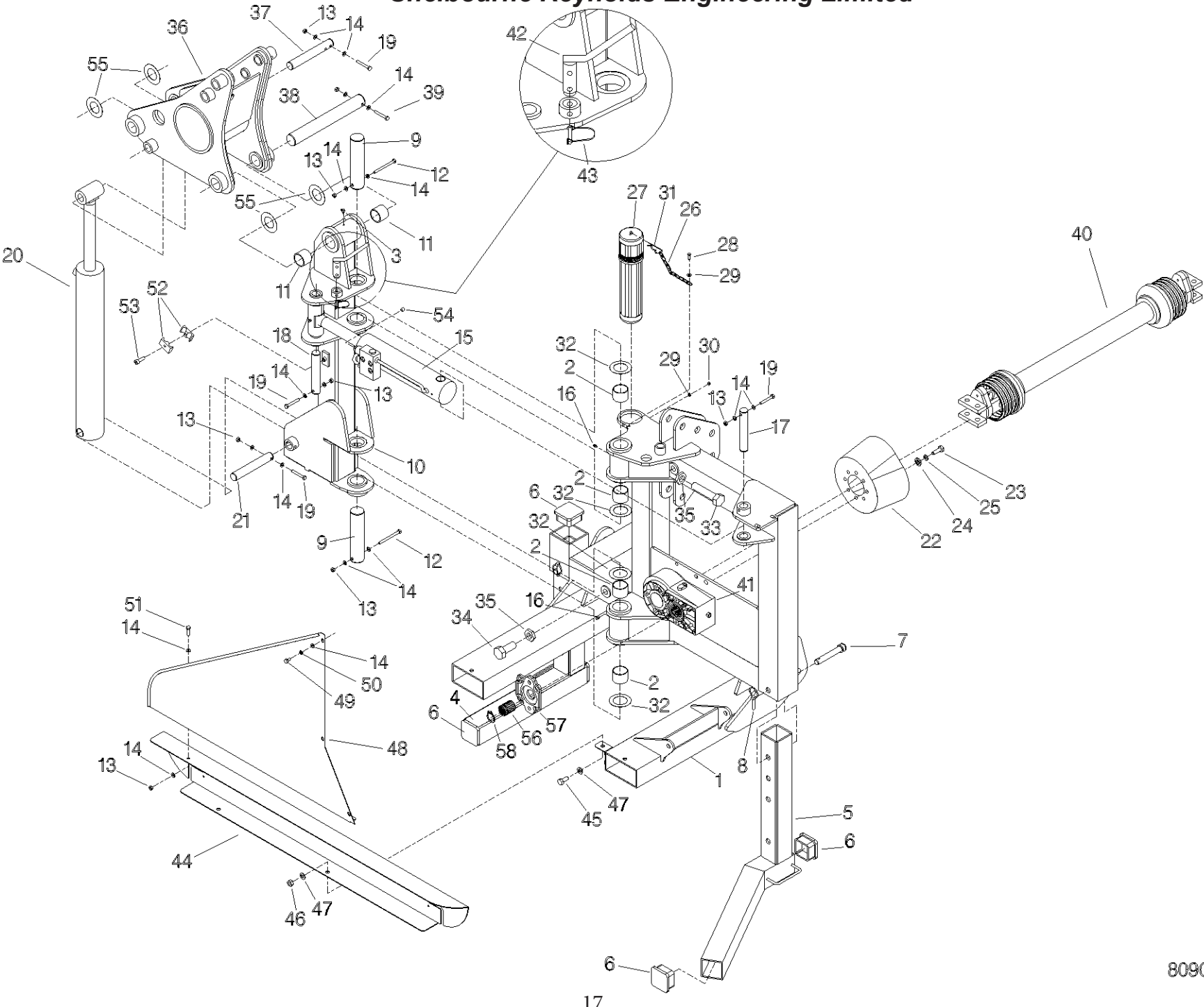
Shelbourne Reynolds Engineering Limited



## Shelbourne Reynolds Engineering Limited

ASSY NUMBER: 809011 01				ASSY DESCRIPTION: MAIN FRAME ASSY			
ITEM	PART NO	DESCRIPTION	QTY	ITEM	PART NO	DESCRIPTION	QTY
1	801269 01	**MAIN FRAME W/A**	1	41	GEA-0182	*GEARBOX *	1
2	BSHA05062	BUSH	4	42	801319 01	MD LOCKING PIN	1
3	NIP-00605	GREASE NIPPLE	1	43	PIN-1720	SPRING PIN 'D' CLIP	1
4	801231 01	STAND LH	1	44	801378 01	LIGHTING BOARD	1
5	801416 01	RH STAND	1	45	HSS-0238	SET SCREW	2
6	21709004	CAP, BLACK PLASTIC 80x80	5	46	NUT-0269	NYLOC NUT	2
7	39010206	PIN	2	47	WSH-0018	PLAIN WASHER	4
8	PIN-01601	LYNCH PIN	2	48	801229 01	REAR GUARD W/A	1
9	800141 03	PIN PILLAR PIVOT(BOT)	2	49	HSS-0135	SETSCREW	3
10	801220 01	PILLAR W/A MD TRIMMER	1	50	WSH-0058	SPRING WASHER	3
11	BSHA04562	BUSH	2	51	HSS-0150	SET SCREW	1
12	BLTA08560	HEX.HEAD BOLT	2	52	HCPD01800	HYDRAULIC PIPE CLAMP	1
13	NUT-0263	NYLOC NUT	8	53	SCW-0136	HT CAP HEAD SCREW	1
14	WSH-0012	PLAIN WASHER	19	54	801405 01	GRUB SCREW WITH 1.2mm DIA HOLE	1
15	800807 01	***CYLINDER BREAKBACK*****	1	55	801502 01	SHIM	8
16	NIP-00600	GREASE NIPPLE	2	56	GEA-1519	SPLINED COUPLING	1
17	800101 28	PIN SLEW RAM	1	57	GEA-1520	ADAPTOR PLATE	1
18	800101 19	PIN - BB RAM ROD	1	58	CIR-2700	CIRCLIP EXT 35MM	1
19	BLTA08380	HEX.HEAD BOLT	4				
20	801374 01	****CYLINDER LIFT*****	1				
21	800987 12	PIN LIFT RAM	1				
22	PTO-00903	PTO MACHINE CONE	1				
23	HSS-0241	SET SCREW	4				
24	800407 01	SPACER-GEARBOX MOUNT.	4				
25	WSH-0065	SPRING WASHER	4				
26	CHN-0145	CHAIN (MT)	0.17				
27	WDA-00025	CANISTER FOR MANUALS	1				
28	HSS-0086	SET SCREW	1				
29	WSH-0009	PLAIN WASHER	2				
30	NUT-0260	NYLOC NUT	1				
31	CLP-00103	R CLIP	1				
32	800781 01	SHIM	8				
33	HSSA24620	HEX.HEAD SET SCREW	1				
34	HSS-0400	M24 X 50 SET SCREW	1				
35	NUT-0390	HALF NUT	2				
36	801180 01	ROCKER W/A	1				
37	800101 27	PIN LIFT RAM	1				
38	800102 15	PIN - ROCKER PIVOT	1				
39	BLTA08530	HEX.HEAD BOLT	1				
40	PTO-27000WE	PTO SHAFT ASSY	1				

Shelbourne Reynolds Engineering Limited

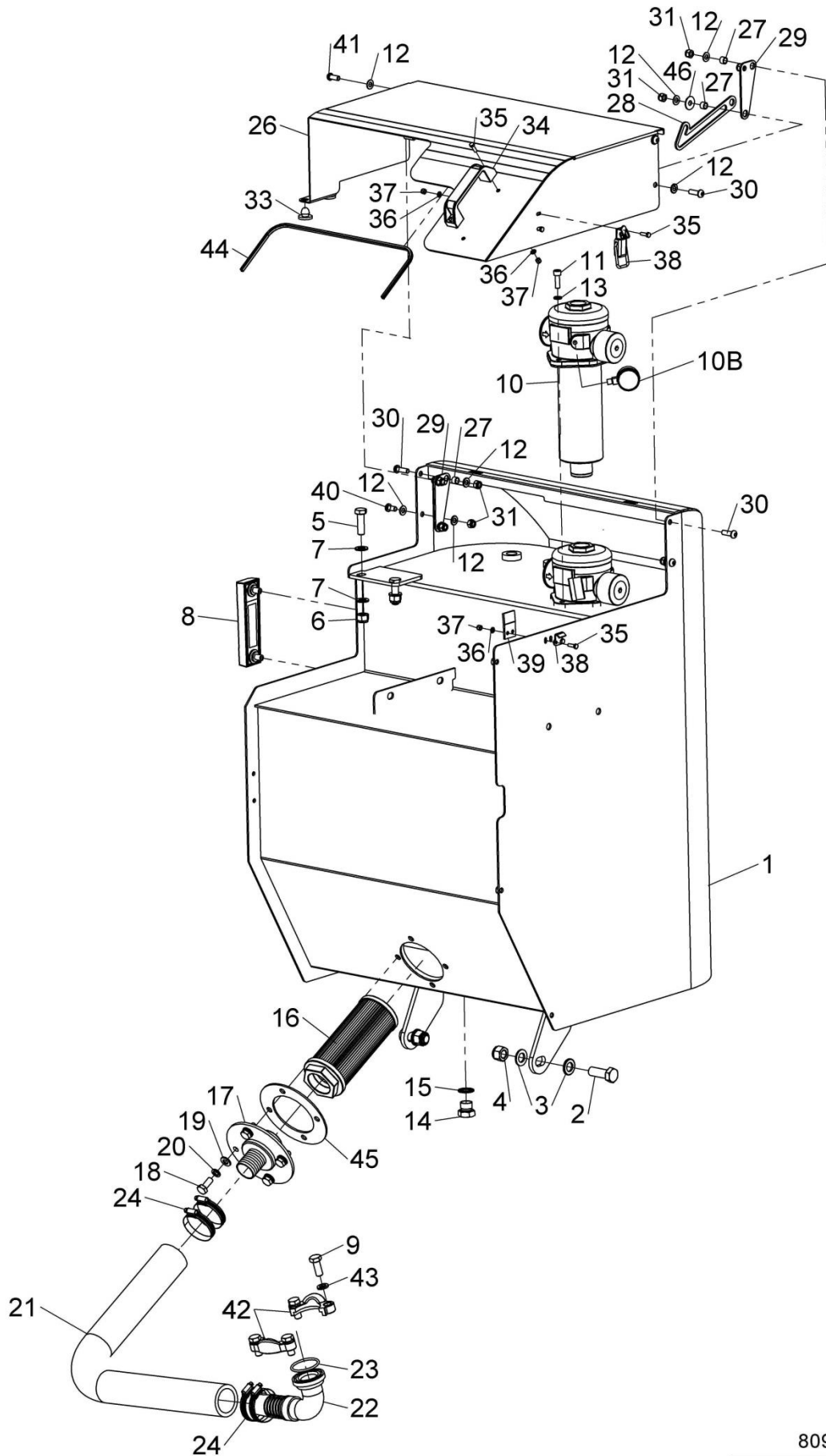




## Shelbourne Reynolds Engineering Limited

ASSY NUMBER: 809012 01				ASSY DESCRIPTION: HYDRAULIC TANK SUB ASSY			
ITEM	PART NO	DESCRIPTION	QTY	ITEM	PART NO	DESCRIPTION	QTY
1	801283 01	HYDRAULIC TANK W/A	1	38	LTH-01020	COMPACT TOGGLE LATCH	1
2	HSS-0317	SET SCREW	2	39	801325 01	LATCH PLATE	1
3	WSH-0024	WASHER	4	40	SCBA08112	BUTTON SKT. HEAD SCREW	1
4	NUT-0271	NUT	2	41	SCW-0525	SKT BUTTON HD SCREW	2
5	HSS-0250	SET SCREW	2	42	HFKY60080	FLANGE HALVES (PAIR OF)	1
6	NUT-0269	NUT	2	43	WSH-0065	WASHER	4
7	WSH-0018	WASHER	8	44	EDS-11400	EDGING STRIP	1.0m
8	GAU-0010	FLUID LEVEL TEMP GUAGE	1	45	804644 01	SUCTION ELBOW GASKET	1
9	HSS-0238	SET SCREW	4	46	WSH-1038	PENNY WASHER	1
10	FIL-0330	TANK FILTER (PB660180897 & ON)	1				
10A	FIL-0340	FILTER ELEMENT (SPARES ONLY)	1				
OR	FIL-0240	TANK FILTER (UPTO PB660180897)	1				
OR	FIL-0250	FILTER ELEMENT (SPARES ONLY)	1				
10B	FIL-0210A	FILTER VISUAL INDICATOR	1				
11	SCW-0136	HT CAP HEAD SCREW	2				
12	WSH-0012	WASHER	18				
13	WSH-0058	WASHER	2				
14	FIT-0217	BLANKING PLUG	1				
15	WSH-1015	DOWTY WASHER	1				
16	SUC-0110	SUCTION ELEMENT	1				
17	802490 01	SUCTION FITTING W/A	1				
18	HSS-0191	SETSCREW	4				
19	WSH-0015	WASHER	4				
20	WSH-0061	WASHER	4				
21	HOS-1044	SUCTION HOSE (1.1/2")	0.28m				
22	HFKR05080	SUCTION ELBOW	1				
23	ORA260450	O RING	1				
24	CLP-0075	40mm/55mm JUBILEE CLIP	4				
25	OIL-0027	HYDRAULIC OIL	205				
26	801288 01	TOP GUARD	1				
27	801287 01	GUIDE ROLLER	5				
28	801285 01	GUARD LATCH	1				
29	801286 01	FIXING PLATE	2				
30	SCBA08172	BUTT SOC HEAD SCREW	5				
31	NUT-0263	NUT	8				
33	RUB-0330	RUBBER GROMMET FOOT	2				
34	HND-0000	BLACK PLASTIC HANDLE	1				
35	HSS-0058	SETSCREW	6				
36	WSH-0006	WASHER	6				
37	NUT-0258	NUT	6				

**Shelbourne Reynolds Engineering Limited**



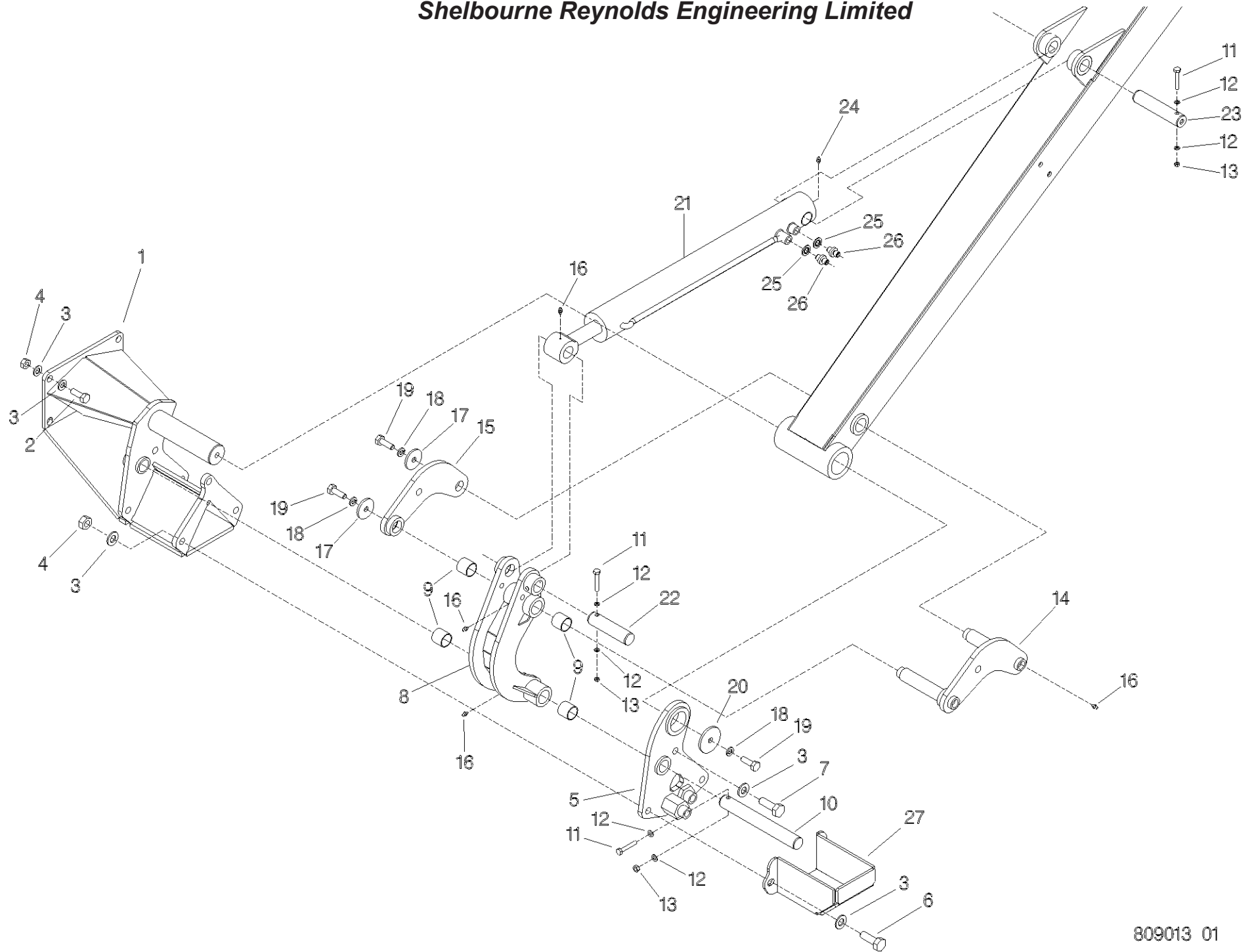
809012 01



## Shelbourne Reynolds Engineering Limited

ASSY NUMBER: 809013 01				ASSY DESCRIPTION: HEAD FIXING SUB ASSY			
ITEM	PART NO	DESCRIPTION	QTY	ITEM	PART NO	DESCRIPTION	QTY
0	HMA-0052	ADAPTOR	2				
0	WSH-1005	WASHER	2				
1	801050 01	PIVOT SHOE WA	1				
2	HSS-0317	SET SCREW	4				
3	WSH-0024	WASHER	14				
4	NUT-0271	NUT	7				
5	800086 01	RADIUS PLATE-STD.DRVE	1				
6	HSS-0319	SET SCREW	2				
7	HSS-0318	SET SCREW	1				
8	800090 01	2ND CURVED LINK	1				
9	BSH-3030	BUSH PLAIN	4				
10	800101 01	PIN - HEAD ANGLING	1				
11	BLTA08350	HEX.HEAD BOLT	3				
12	WSH-0012	WASHER	6				
13	NUT-0263	NUT	3				
14	800097 01	1ST CURVED LINK	1				
15	800098 01	1ST CURVED PLATE ASSY	1				
16	NIP-00600	GREASE NIPPLE	4				
17	190119 15	WASHER	2				
18	WSH-0065	WASHER	3				
19	HSS-0235	SET SCREW	3				
20	190119 56	WASHER	1				
21	801236 01	CYLINDER HEAD ANGLING	1				
21a	RMSK00320	SEAL KIT					
21b	BSH-3030	BUSH (SPARES ONLY)					
22	800101 03	PIN - ANGLING RAM ROD	1				
23	800101 23	PIN - TIE ARM BASE	1				
24	NIP-00605	GREASE NIPPLE	1				
25	WSH-1005	WASHER	2				
26	HMA-0052	ADAPTOR	2				
27	800491 01	REAR PROTECTOR	1				

**Shelbourne Reynolds Engineering Limited**

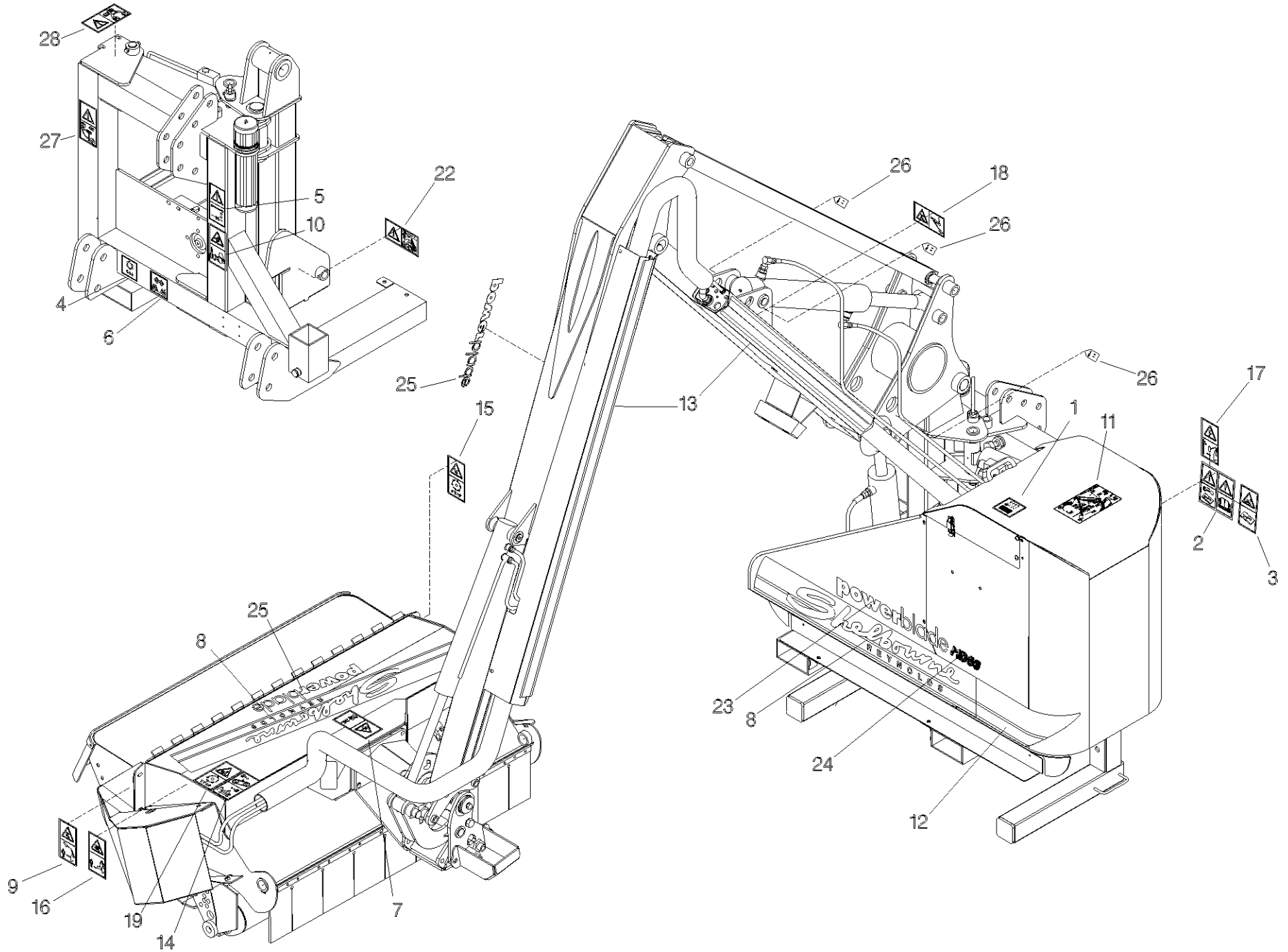


## Shelbourne Reynolds Engineering Limited

ASSY NUMBER: 809014 01				ASSY DESCRIPTION: TRANSFERS SUB-ASSY (MD TRIMMER)			
ITEM	PART NO	DESCRIPTION	QTY	ITEM	PART NO	DESCRIPTION	QTY
1	800211 01	TRANSFER-FILTER	1				
2	TNF-0011	TRANSFER BLOCK	1				
3	800221 01	TRANSFER-MANUAL,OIL	1				
4	590475 01	PTO SPEED TRANSFER	1				
5	193391 01	TRANSFER - PTO GUARD	1				
6	800212 01	TRANSFER-CHECK CHAIN	1				
7	800215 01	TRANSFER-CRUSH.DANG.	1				
8	801453 01	TRANSFER - SHELBOURNE REYNOLDS	2				
9	800217 01	TRANSFER-SAFETY DIST	1				
10	800219 01	TRANSFER-COUPLING UP	1				
11	801480 01	TRANSFER / LUBRICATION	1				
12	801451 01	TRANSFER - EXTN STRIPE	1				
13	801452 01	TRANSFER - EXTN STRIPE	2				
15	800222 01	TRANS.-ALLOW TO STOP	1				
16	800214 01	TRANSFER-FLY.OBJECTS	1				
17	800220 01	TRANSFER-VOLT HAZARD	1				
18	210435 01	TRANSFER-RAM STOP	1				
19	800218 01	TRANSFER(STOP BELT ENTANG)	AR				
22	800878 01	TRANSFER - TRANSPORT	1				
24	801403 02	TRANSFER(MD50 WHITE)	AR				
OR	801403 01	TRANSFER(MD56 WHITE)	AR				
25	801402 01	POWERBLADE EMBLEM	1				
26	190702 04	SLING POINT TRANSFER	4				
27	801417 01	TRANSFER (ACCUMLATOR)	AR				
28	801418 01	TRANSFER (ARM FLOAT)	AR				



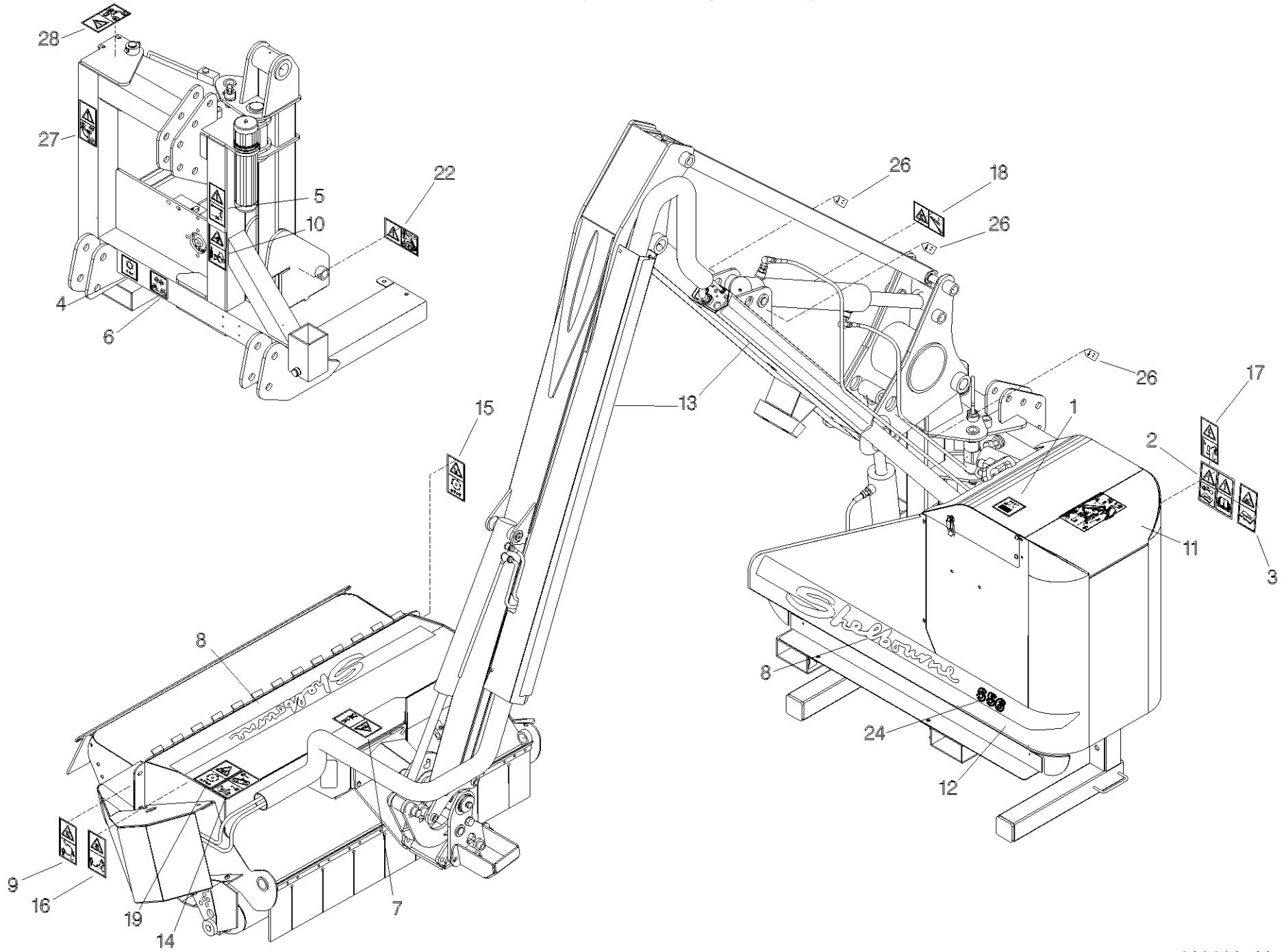
# Shelbourne Reynolds Engineering Limited



## Shelbourne Reynolds Engineering Limited

ASSY NUMBER: 809020 01				ASSY DESCRIPTION: TRANSFER SUB (BLUE) (5XX TRIMMER)			
ITEM	PART NO	DESCRIPTION	QTY	ITEM	PART NO	DESCRIPTION	QTY
1	800211 01	TRANSFER (CHANGE FILTER)	1				
2	TNF-0011	TRANSFER (READ MANUAL)	1				
3	800221 01	TRANSFER (READ MANUAL/OIL)	1				
4	590475 01	TRANSFER (PTO SPEED 540RPM)	1				
5	193391 01	TRANSFER (PTO GUARD)	1				
6	800212 01	TRANSFER (CHECK CHAINS)	1				
7	800215 01	TRANSFER (CRUSHING DANGER)	1				
8	260228 01	TRANSFER (SHELBOURNE BLUE)	2				
9	800217 01	TRANSFER (SAFE DIST.DROP)	1				
10	800219 01	TRANSFER (COUPLING UP)	1				
11	801480 01	TRANSFER (LUBRICATION)	1				
12	802568 01	TRANSFER (STRIPE BLUE)	1				
13	802671 01	TRANSFER (STRIPE BLUE)	2				
14	800213 01	TRANSFER (BELTS/BOLTS TIGHT)	AR				
15	800222 01	TRANSFER (ALLOW TO STOP)	1				
16	800214 01	TRANSFER (THROWN OBJECTS)	1				
17	800220 01	TRANSFER (VOLTAGE HAZARD)	1				
18	210435 01	TRANSFER (LOCK CYLINDER)	1				
19	800218 01	TRANSFER (STOP BELT ENTANG)	AR				
20							
21							
22	800878 01	TRANSFER (TRANSPORT MODE)	1				
23							
24	802567 03	TRANSFER (550)	AR				
OR	802567 04	TRANSFER (556)	AR				
25							
26	190702 04	TRANSFER (SLING POINT)	4				
27	801417 01	TRANSFER (ACCUMLATOR)	AR				
28	801418 01	TRANSFER (ARM FLOAT)	AR				

Shelbourne Reynolds Engineering Limited



809020 01

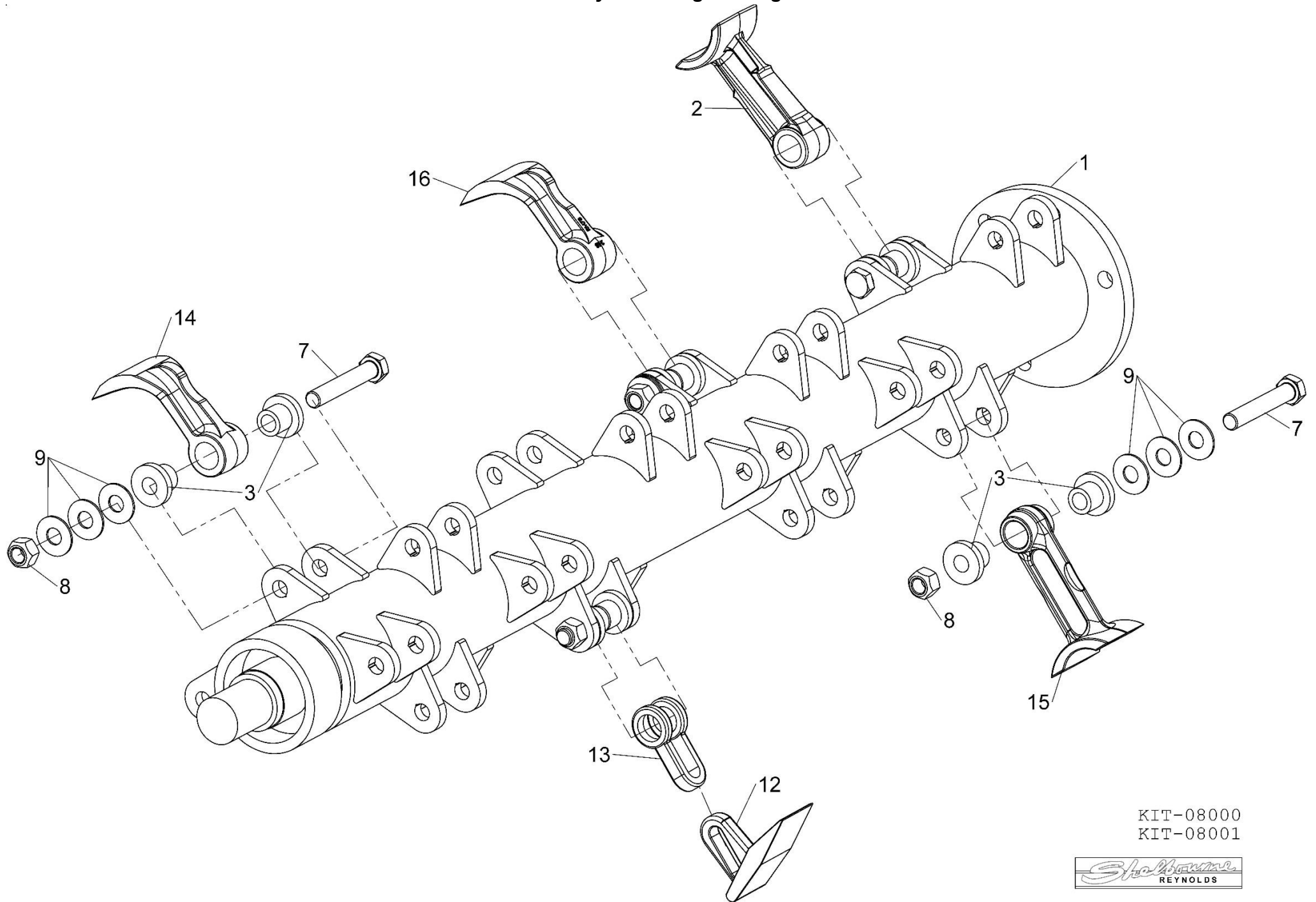


# KIT OPTIONS

**Shelbourne Reynolds Engineering Limited**

ASSY NUMBER:		KIT-08000		ASSY DESCRIPTION: FLAIL ASSY (1.2M) ALL FLAIL TYPES			
ITEM	PART NO	DESCRIPTION	QTY	ITEM	PART NO	DESCRIPTION	QTY
1	801470 01	ROTOR ASSY (1.2M)	1				
OR	800014 08	ROTOR ASSY (1.2M)	1			FOR COMPLETE FLAIL	
		(109456 & ON)				ASSEMBLY ORDER PART NO'S.:	
OR	800014 01	ROTOR ASSY (1.2M)	1			KIT-08000A -T FLAILS (CAST)	
		(UP TO 109456)				UP TO 2018	
2	FLL-05000	T FLAIL (CAST) (KIT-08000A ONLY)	24			KIT-08000B - BOOT FLAILS	
3	805046 01	SPACER	48			KIT-08000C-COMPETITION	
4						- FLAIL	
5						KIT-08000D - T FLAIL (DROP	
6						FORGED) 2018 & ON	
7	BLTD16554	BOLT	24			KIT-08000E - COMPETITION	
OR	BLTD16574	BOLT	AR			FLAIL (DROP FORGED)	
OR	BLTD16604	BOLT	AR				
OR	BLTD16654	BOLT	AR				
8	NUTF15162	STOVER NUT (2006&ON)	24				
OR	NUTF02162	NYLOC NUT (UPTO 2006)	24				
9	800274 01	BALANCE WEIGHT (20G)	AR				
OR	800274 02	BALANCE WEIGHT (30G)	AR				
OR	800274 03	BALANCE WEIGHT (50G)	AR				
10						** <u>IMPORTANT</u> **	
11							
12	FLL-10000	BOOT FLAIL (KIT-08000B ONLY)	24			ENSURE BALANCE WEIGHTS ARE	
13	FLL-15000	SHACKLE (KIT-08000B ONLY)	24			NOT MOVED WHEN REPLACING	
14	FLL-20000	COMP FLAIL (KIT-08000C ONLY)	24			FLAILS.	
15	FLL-05005S	T FLAIL (DROP FORGED) (KIT-08000D)	24			EXACT POSITIONING IS	
16	FLL-20005S	COMP FLAIL (DROP FORGED)	24			CRITICAL TO SMOOTH RUNNING	

Shelbourne Reynolds Engineering Limited



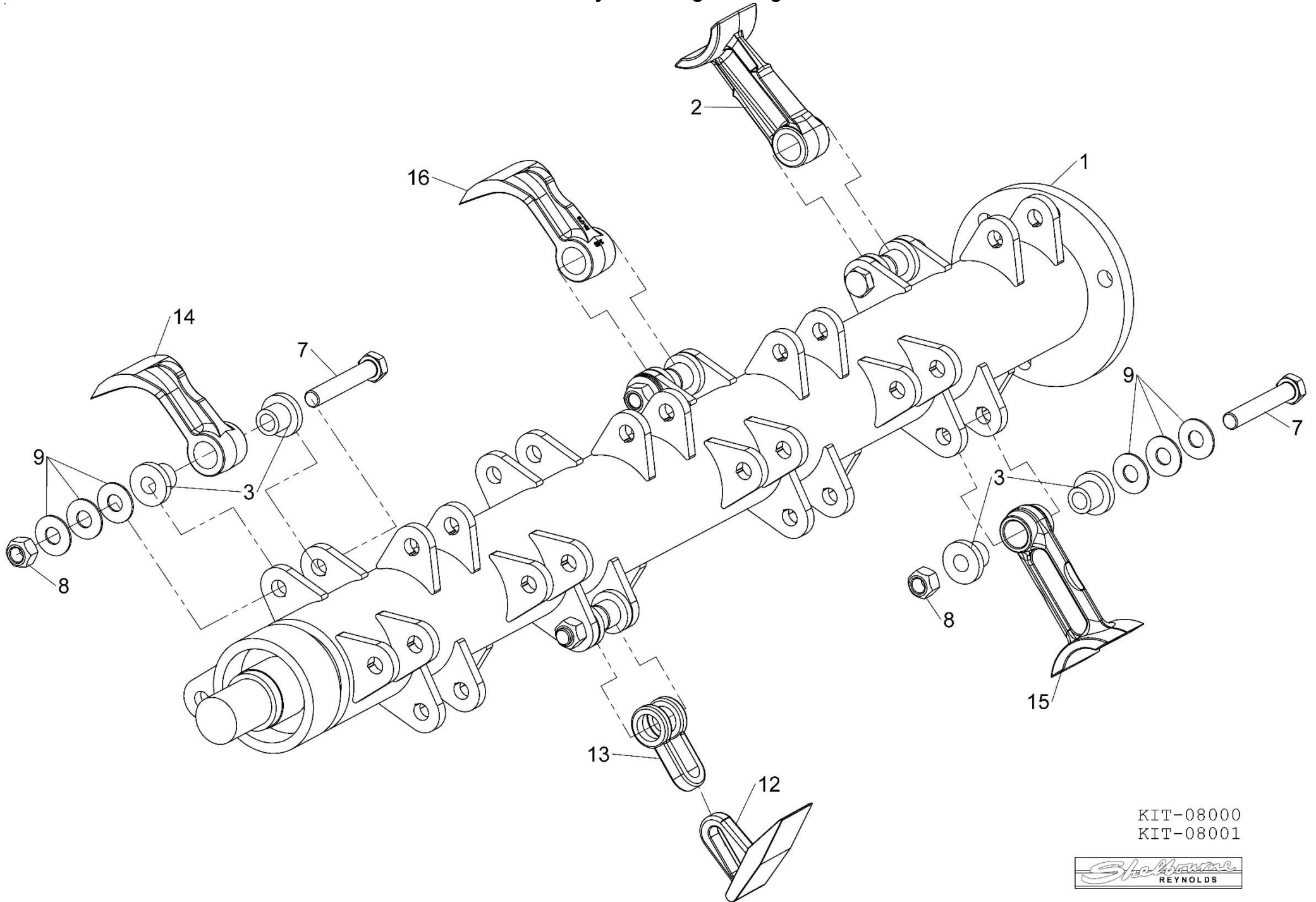
KIT-08000  
KIT-08001





**Shelbourne Reynolds Engineering Limited**

ASSY NUMBER:		KIT-08001						ASSY DESCRIPTION:		FLAIL ASSY (1.5M) ALL FLAIL TYPES					
ITEM	PART NO	DESCRIPTION	QTY	ITEM	PART NO	DESCRIPTION	QTY								
1	802049 01	ROTOR ASSY (1.5M) (EARLY 2013 & ON)	1												
OR	801471 01	ROTOR ASSY (1.5M) (UP TO EARLY 2013)	1			FOR COMPLETE FLAIL ASSEMBLY ORDER PART NO'S.:									
OR	800015 08	ROTOR ASSY (1.5M) (109456 & ON)	1			KIT-08001A-T FLAILS(CAST) UP TO 2018									
OR	800015 01	ROTOR ASSY (1.5M) (UP TO 109456)	1			KIT-08001B-BOOT FLAILS									
2	FLL-05000	T FLAIL(CAST) (KIT-08001A ONLY)	30			KIT-08001C-COMPETITION									
3	805046 01	SPACER	60			- FLAIL									
4															
5															
6						KIT-08001D T FLAIL (DROP FORGED) 2018 & ON									
7	BLTD16554	BOLT	30												
OR	BLTD16574	BOLT	AR												
OR	BLTD16604	BOLT	AR			KIT-08001E - COMPETITION									
OR	BLTD16654	BOLT	AR			FLAIL (DROP FORGED)									
8	NUTF15162	STOVER NUT (2006&ON)	30												
OR	NUTF02162	NYLOC NUT(UPTO 2006)	30			** <u>IMPORTANT</u> **									
9	800274 01	BALANCE WEIGHT (20G)	AR												
OR	800274 02	BALANCE WEIGHT (30G)	AR			ENSURE BALANCE WEIGHTS ARE NOT MOVED WHEN REPLACING FLAILS.									
OR	800274 03	BALANCE WEIGHT (50G)	AR			EXACT POSITIONING IS CRITICAL TO SMOOTH RUNNING									
10															
11															
12	FLL-10000	BOOT FLAIL (KIT-08001B ONLY)	30												
13	FLL-15000	SHACKLE (KIT-08001B ONLY)	30												
14	FLL-20000	COMP FLAIL (KIT-08001C ONLY)	30												
15	FLL-05005S	T FLAIL(DROP FORGED) (KIT-08000D)	30												
16	FLL-20005S	COMP FLAIL (DROP FORGED)	30												



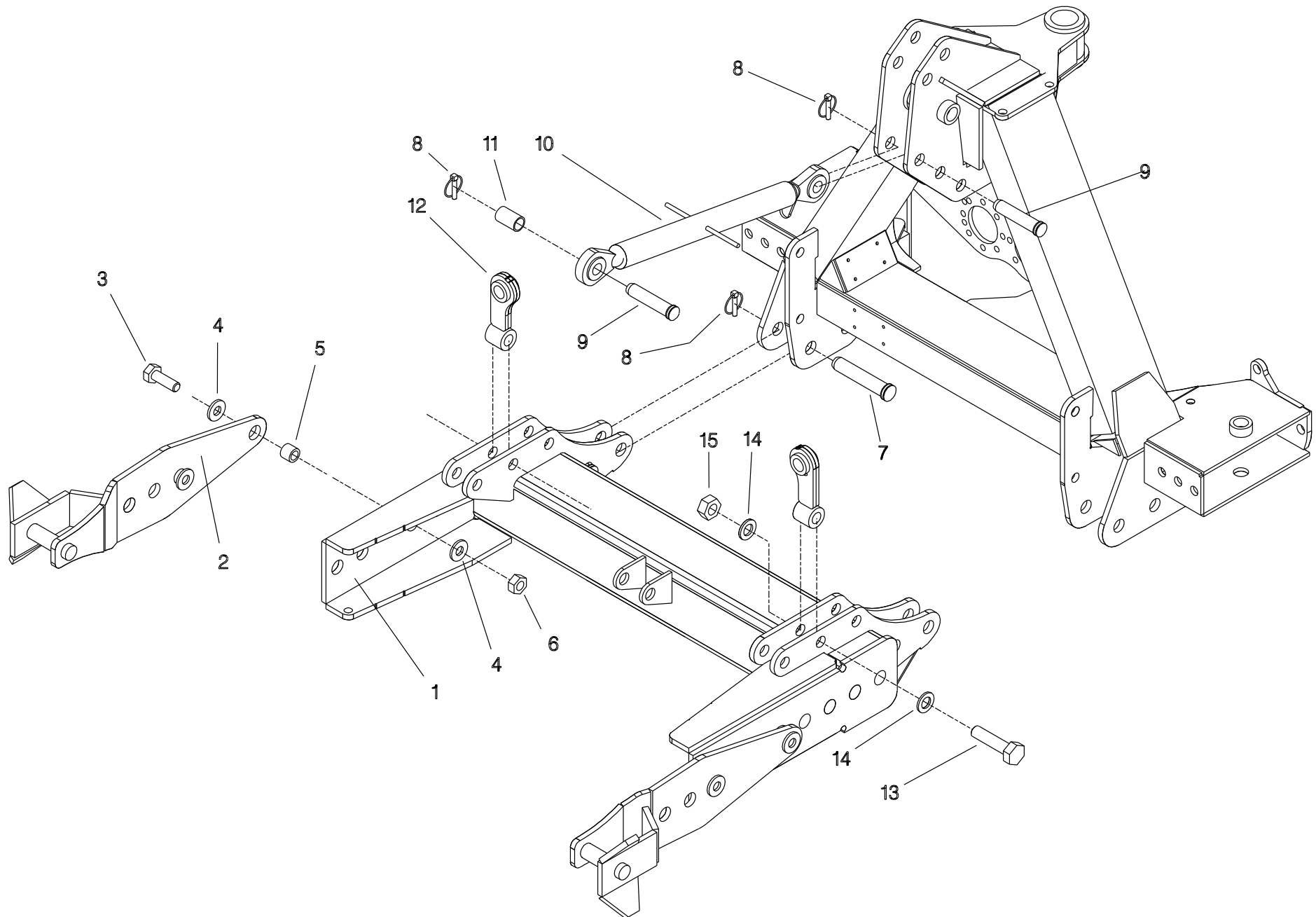
KIT-08000  
KIT-08001



**Shelbourne Reynolds Engineering Limited**

ASSY NUMBER:		KIT-08015		ASSY DESCRIPTION:		STABILISERS - AXLE MOUNTING	
ITEM	PART NO	DESCRIPTION	QTY	ITEM	PART NO	DESCRIPTION	QTY
1	800223 01	HITCH SUBFRAME	1				
2	800227 01	PIN ARM	2				
3	BLT-2366	BOLT	6				
4	190119 47	WASHER	12				
5	800233 01	SPACER	6				
6	NUTA02200	NYLOC NUT	6				
7	800199 01	PIN	2				
8	PIN-01950	LYNCH PIN	4				
9	800198 01	PIN	2				
10	ADL-13570	TOP LINK ASSY	1				
11	800197 01	SPACER	1				
12A	800344 01	LINK (NH TS155, MF 4245...)	2 or			REQUIRED LINKS MAY VARY NOT ONLY BETWEEN MODELS IN A TRACTOR RANGE, BUT ALSO ACCORDING TO THE YEAR OF MANUFACTURE OF THE TRACTOR. IDEALLY, WHERE REPLACEMENT OR ADDITIONAL LINKS ARE REQUIRED, PLEASE SUPPLY US WITH HOLE DIAMETER AND THICKNESS OF THE TRACTOR LINK ARMS AT THE POINT WHERE THE DROP LINK ATTACHES (IE DOWN FROM THE LEVELLING BOX)	
12B	800344 05	LINK (CASE MX135, JD 8310...)	2 or				
12C	800344 07	LINK (JD CAT3 LINKS...)	2 or				
12D	800344 09	LINK (CASE 4230, MF 390T...)	2 or				
12E	800344 11	LINK (McC CX80...)	2 or				
12F	800344 13	LINK (JD CAT2, MF30**...)	2 or				
12G	800344 15	LINK (CASE 1056...)	2 or				
12H	800344 17	LINK (MF 6150...)	2 or				
12I	800344 19	LINK (FORD 8670)	2 or				
12J	800344 21	LINK (CASE CVX1135)	2 or				
12K	800344 23	LINK (McCORMICK XTX200)	2 or				
13	BLTA24590	BOLT	2				
14	WSH-0036	PLAIN WASHER	4				
15	NUT-0275	NYLOC NUT	2				

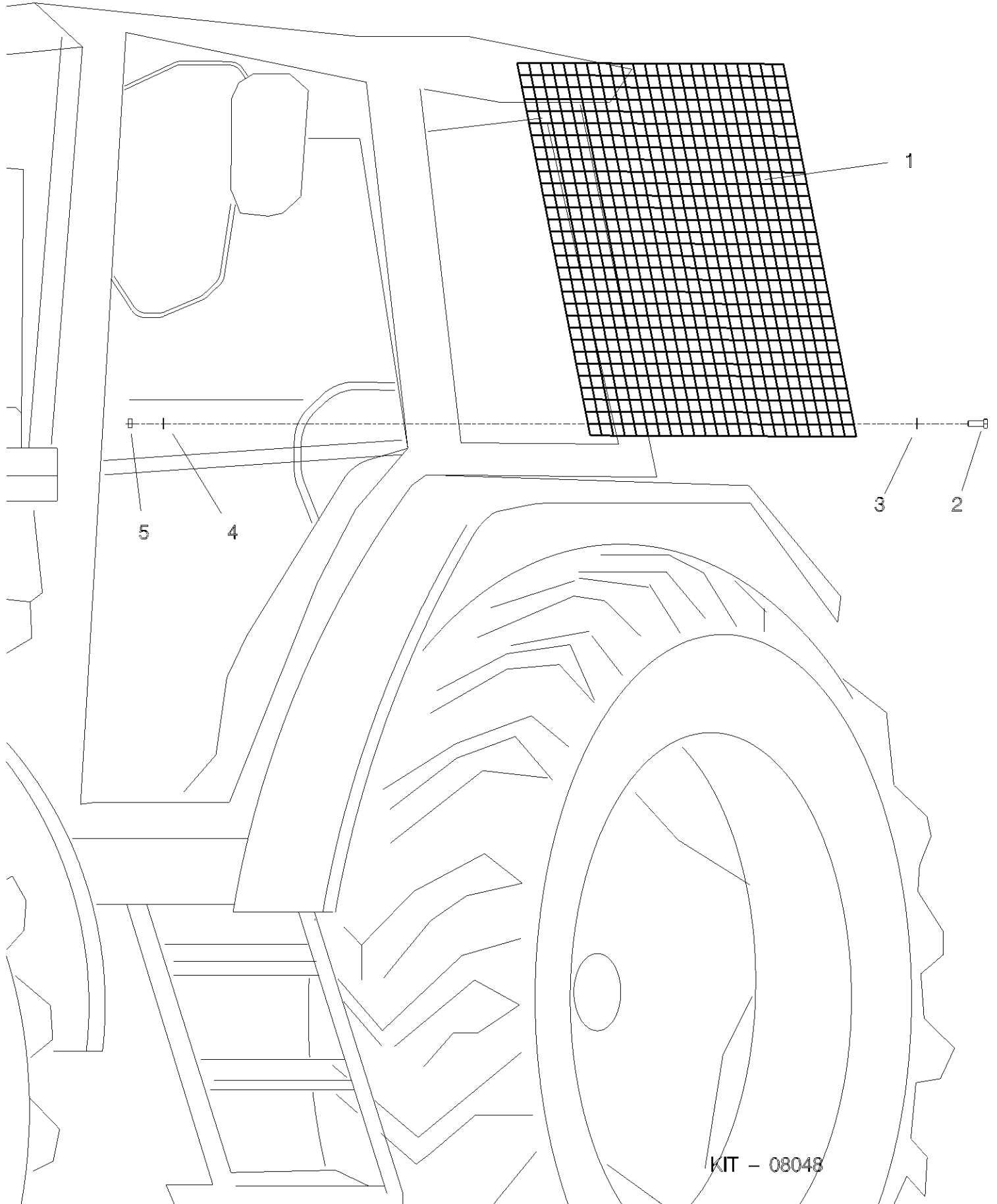
**Shelbourne Reynolds Engineering Limited**



**KIT - 08015**

## Shelbourne Reynolds Engineering Limited

ASSY NUMBER: KIT-08048				ASSY DESCRIPTION: MESH GUARD KIT			
ITEM	PART NO	DESCRIPTION	QTY	ITEM	PART NO	DESCRIPTION	QTY
1	800071 01	MESH GUARD	1	42			
2	BLTA10290	BOLT	4	43			
3	190119 05	WASHER	4	44			
4	WSH-0012	PLAIN WASHER	4	45			
5	NUT-0263	NYLOC NUT	4	47			
6				48			
7				49			
8				50			
9				51			
10				52			
11				53			
12				54			
13				55			
14				56			
15				57			
16				58			
17				59			
18				60			
19				61			
20				62			
21				63			
22				64			
23				65			
24				66			
25				67			
26				68			
27				69			
29				70			
30				71			
31				72			
32				73			
33				74			
34				75			
35				76			
36				77			
37				78			
38				79			
39				80			
40				81			
41				82			



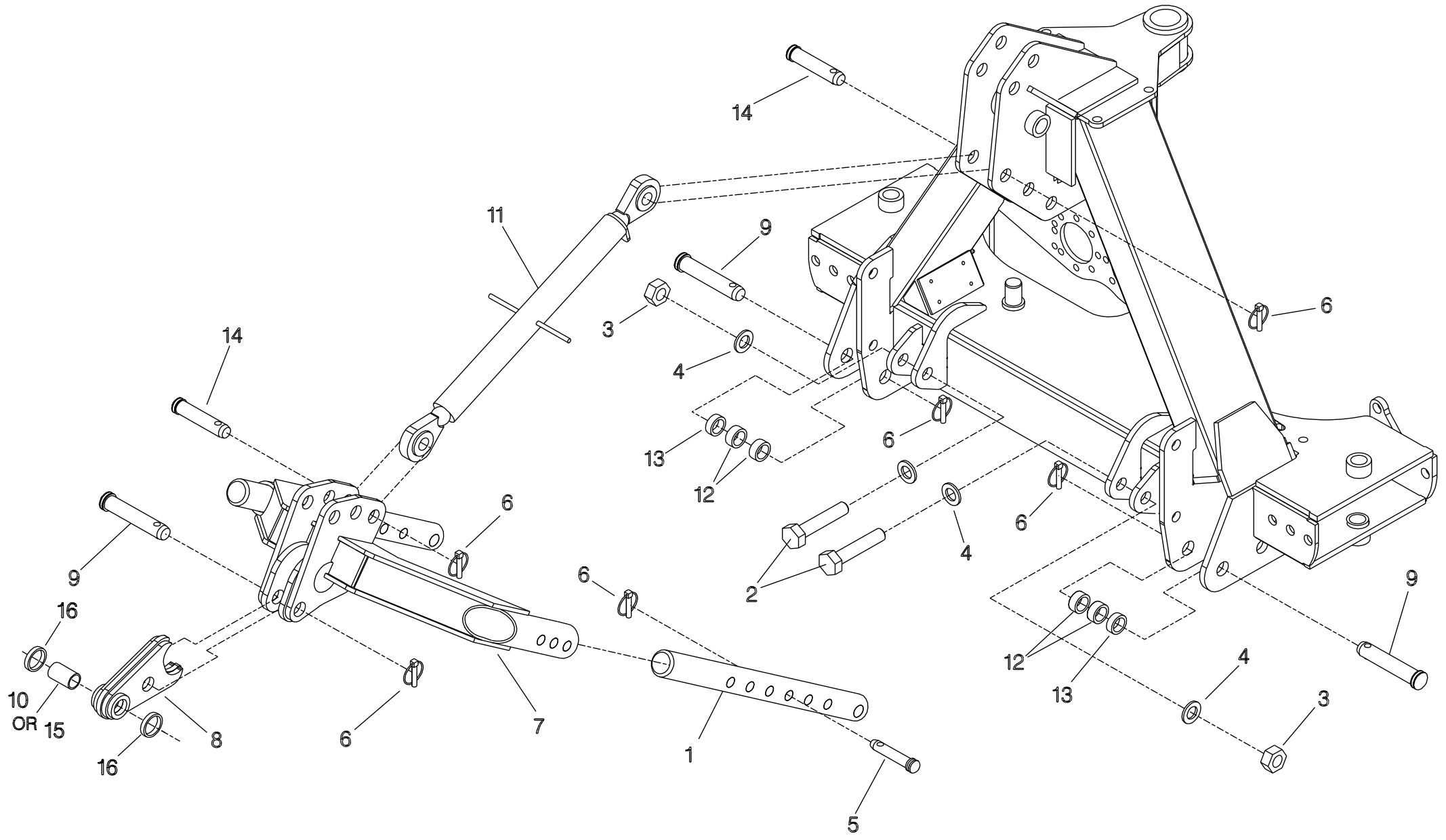
**KIT - 08048**

**Shelbourne Reynolds Engineering Limited**

ASSY NUMBER:		KIT-08076		ASSY DESCRIPTION:		STABILISER KIT-3 POINT LINKAGE-V2B UPTO PBXXX170661		
ITEM	PART NO	DESCRIPTION	QTY	ITEM	PART NO	DESCRIPTION	QTY	
1	800929 01	3-POINT SHAFT	2	8A	801361 01	ROCKER LONG		
2	BLTA24620	BOLT	2			OPTION INSTEAD OF 800930 01		
3	NUT-0275	NYLOC NUT	2					
4	WSH-0036	PLAIN WASHER	4					
5	21728202	PIN	2					
6	PIN-01950	LYNCH PIN	7					
7	800921 01	3-POINT YOKE	1					
8	800930 01	ROCKER	1					
9	800199 01	PIN	3					
10	800197 01	SPACER	1					
11	ADL-11540	TOP LINK	1					
12	800934 01	16mm SPACER	4					
13	800934 02	13mm SPACER	2					
14	800198 01	PIN	2					
15	800197 02	SPACER	1					
16	802609 01	TOP LINK SPACER	2					



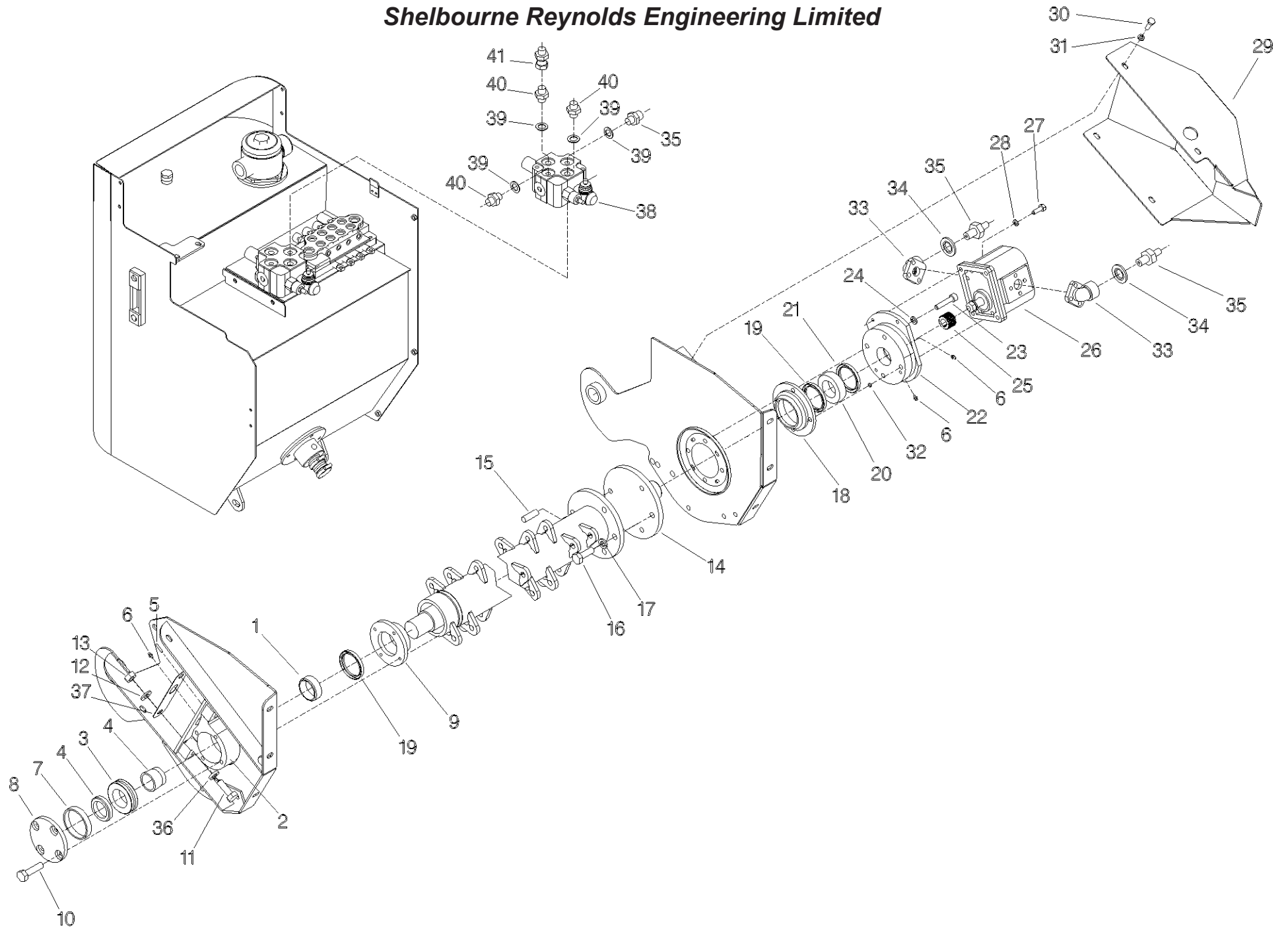
Shelbourne Reynolds Engineering Limited



## Shelbourne Reynolds Engineering Limited

ASSY NUMBER:		KIT-08091		ASSY DESCRIPTION:		DIRECT DRIVE & FLAIL MOUNTING KIT	
ITEM	PART NO	DESCRIPTION	QTY	ITEM	PART NO	DESCRIPTION	QTY
1	800019 01	SLEEVE	1	35	HMA-0075	ADAPTOR	3
2	800873 01	BEARING HOUSING (UP TO 2016)	1	36	190119 85	WASHER	2
OR	800873 02	BEARING HOUSING (2016 & ON)		37	801478 01	SHIM	2
3	BRG-14580	BEARING	1	38	HVB-09915	FLAIL MOTOR VALVE	1
4	BRG-94521	BEARING SLEEVE	1	39	WSH-1020	DOWTY WASHER	4
5	PIN-40414	ROLL PIN	1	40	HMA-0074	ADAPTOR	3
6	NIP-00600	GREASE NIPPLE	3	41	HACAA1111	ADAPTOR	1
7	800067 01	SPACER	1				
8	802219 01	COVER (2012 & ON)	1				
OR	800874 01	COVER (UPTO 2012)	-				
9	800017 01	SLEEVE	1				
10	BLTA10410	BOLT (M10x65mm) (2012 & ON)	4				
OR	SCEA10473	CSK SCREW (UPTO 2012)	-				
11	BLTA16474	BOLT	2				
12	WSH-0024	PLAIN WASHER	2				
13	NUT-0271	NYLOC NUT	2				
14	801226 01	DRIVE SHAFT	1				
15	193079 01	DOWEL PIN	1				
16	HSSA16200	SETSCREW	3				
17	WSHA30161	SPRING WASHER	3				
18	800700 01	BEARING HOUSING	1				
19	SEAA06500	SHAFT SEAL	2				
20	BRG-15080	BEARING	1				
21	SEAA05080	SHAFT SEAL	1				
22	801227 01	BEARING HOUSING	1				
23	SCW-0255	SOC.CAP HD SCREW	4				
24	WSH-0065	SPRING WASHER	4				
25	MOTC00000	SPLINED COUPLING	1				
26	MOTH02700	HYD MOTOR	1				
26A		HYD MOTOR SEAL KIT	-				
27	SCW-0196	SETSCREW	4				
28	WSH-0061	SPRING WASHER	4				
29	801221 01	DIRECT DRIVE COVER	1				
30	HSS-0191	SETSCREW	4				
31	WSH-0015	PLAIN WASHER	4				
32	ORA120080	O RING	1				
33	FITF00005	THREADED ELBOW	2				
34	WSH-1025	DOWTY WASHER	2				

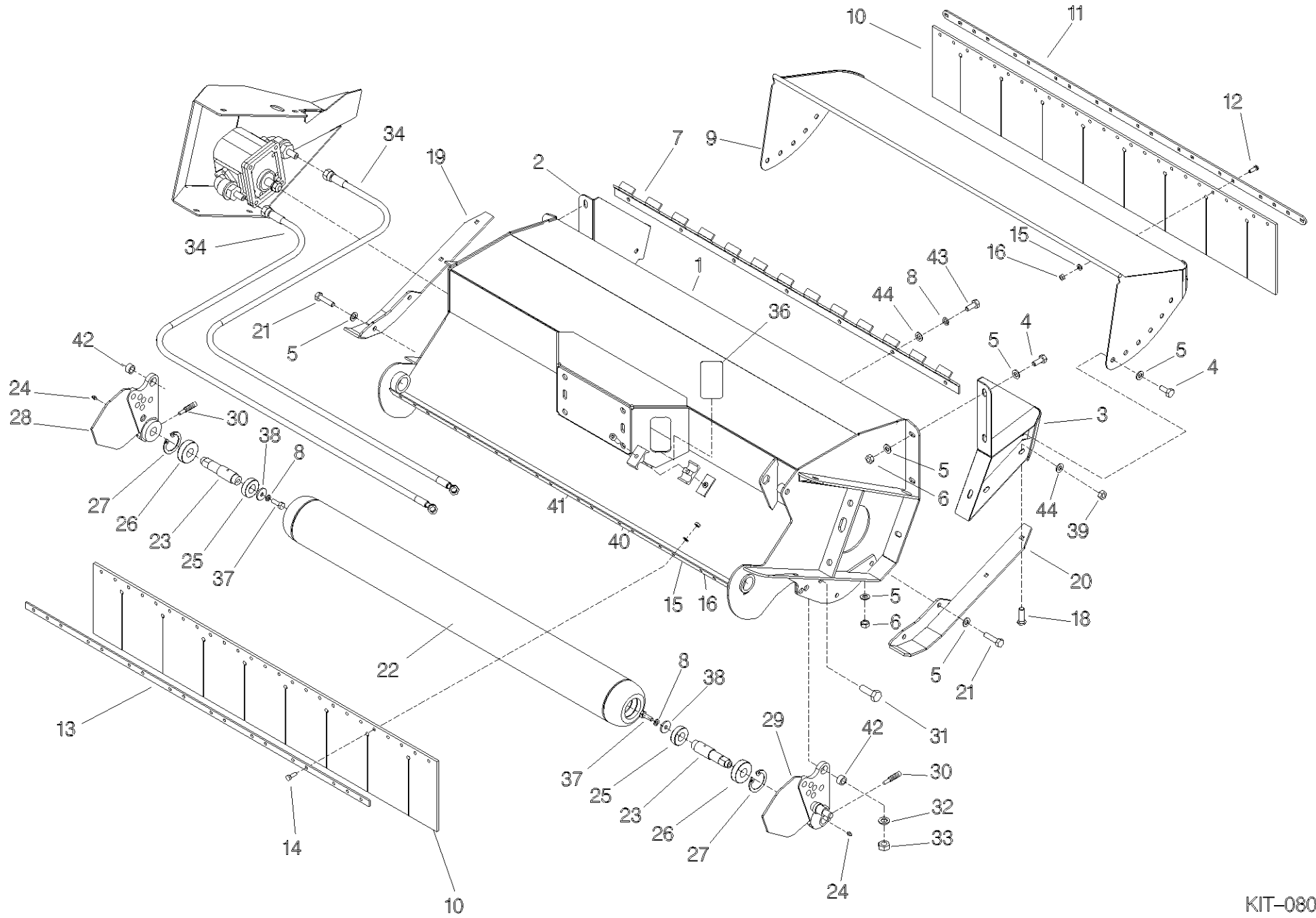
**Shelbourne Reynolds Engineering Limited**



## Shelbourne Reynolds Engineering Limited

ASSY NUMBER: KIT-08092				ASSY DESCRIPTION: HEAD SHELL, NOSE AND ROLLER 1.2M			
ITEM	PART NO	DESCRIPTION	QTY	ITEM	PART NO	DESCRIPTION	QTY
1	800830 29	HEAD SHELL 1.2M	1	41	SCW-0136	HT CAP HEAD SCREW	1
2	800815 01	NOSE SIDE PANEL LH	1	42	801436 01	SPACER	2
3	800815 02	NOSE SIDE PANEL RH	1	43	HSS-0194	SET SCREW	7
4	HSS-0235	SET SCREW	8	44	WSH-0015	WASHER	11
5	WSH-0018	WASHER	26				
6	NUT-0269	NUT	12				
7	800812 01	HINGE PLATE 1.2M	1				
8	WSH-0061	WASHER	9				
9	800820 01	NOSE 1.2M	1				
10	800068 01	RUBBER CURTAIN 1.2MT	2				
11	800825 01	CURTAIN STRIP 1.2MT	1				
12	BLTF08173	COACH BOLT	20				
13	800069 01	CURTAIN STRIP 1.2MT	1				
14	HSS-0145	SETSCREW	18				
15	WSH-0012	WASHER	38				
16	NUT-0263	NUT	38				
17							
18	BLT-3745	COACHBOLT	4				
19	800881 01	LH SKID W/A	1				
20	800881 02	RH SKID W/A	1				
21	HSS-0250	SET SCREW	4				
22	800826 01	ROLLER W/ASSY 1.2MT	1				
23	801445 01	STUB SHAFT	2				
24	NIP-00600	GREASE NIPPLE	2				
25	BRG-4125	BEARING	2				
26	BRG-3358	SUPPORT	2				
27	CIR-0620	CIRCLIP INT 62MM	2				
28	801435 02	LH ROLLER BRACKET W/A	1				
29	801435 01	RH ROLLER BRACKET W/A	1				
30	800450 01	COTTER PIN	2				
31	HSS-0318	SET SCREW	4				
32	WSH-0024	WASHER	4				
33	NUT-0271	NUT	4				
34	HHDH12505	HYD. HOSE ASSY	2				
35							
36	CAP-0060	PLASTIC END CAP (60x120)	2				
37	HSS-0188	SET SCREW	2				
38	190119 09	WASHER	2				
39	NUT-0265	NUT	4				
40	HCPD01400	HYDRAULIC PIPE CLAMP	1				

**Shelbourne Reynolds Engineering Limited**



KIT-08092  
KIT-08119

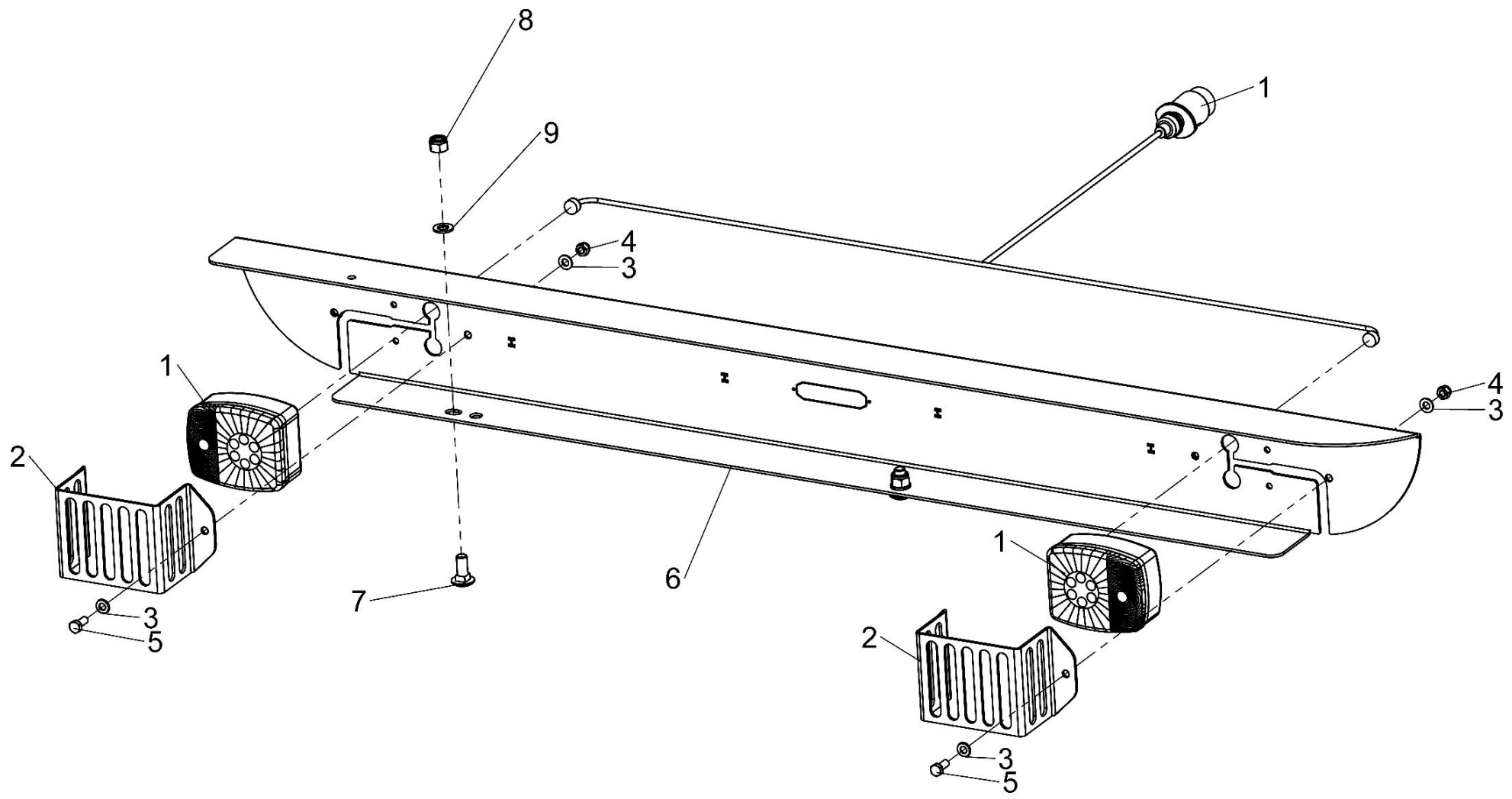
ASSY NUMBER:

KIT-08093

ASSY DESCRIPTION:

REAR LIGHTING KIT

ITEM	PART NO	DESCRIPTION	QTY	ITEM	PART NO	DESCRIPTION	QTY
1	800387 14	LIGHTS ASSY S/N PB***150490 ON	1				
OR	800387 11	LIGHTS ASSY2012 TO S/N PB***150490					
OR	800387 01	LIGHTS ASSY(UPTO 2012)					
1A	LMP-10411	LAMP CLUSTER (SPARES PB***150490 & ON)					
OR	LMP-10409	LAMP CLUSTER (SPARES 2012 TO PB***150490)					
OR	LMP-10401	LAMP CLUSTER (SPARES UPTO 2012)					
1B	LMP-10002	LENS (SPARES UPTO 2012)					
1C	BLB-0015	BULB-INDICATOR (SPARES UPTO 2012)					
1D	BLB-0020	BULB-STOP/TAIL (SPARES UPTO 2012)					
1E	PLG-0005	7 PIN PLUG (SPARES UPTO 2012)					
2	802524 01	LIGHT GUARD	2				
3	WSH-0012	PLAIN WASHER	8				
4	NUT-0263	NYLOC NUT	4				
5	HSS-0140	SETSCREW	4				
6	801378 01	LIGHTING BOARD	1				
7	BLT-3790	COACH BOLT	2				
8	NUT-0269	NYLOC NUT	2				
9	WSH-0018	PLAIN WASHER	2				



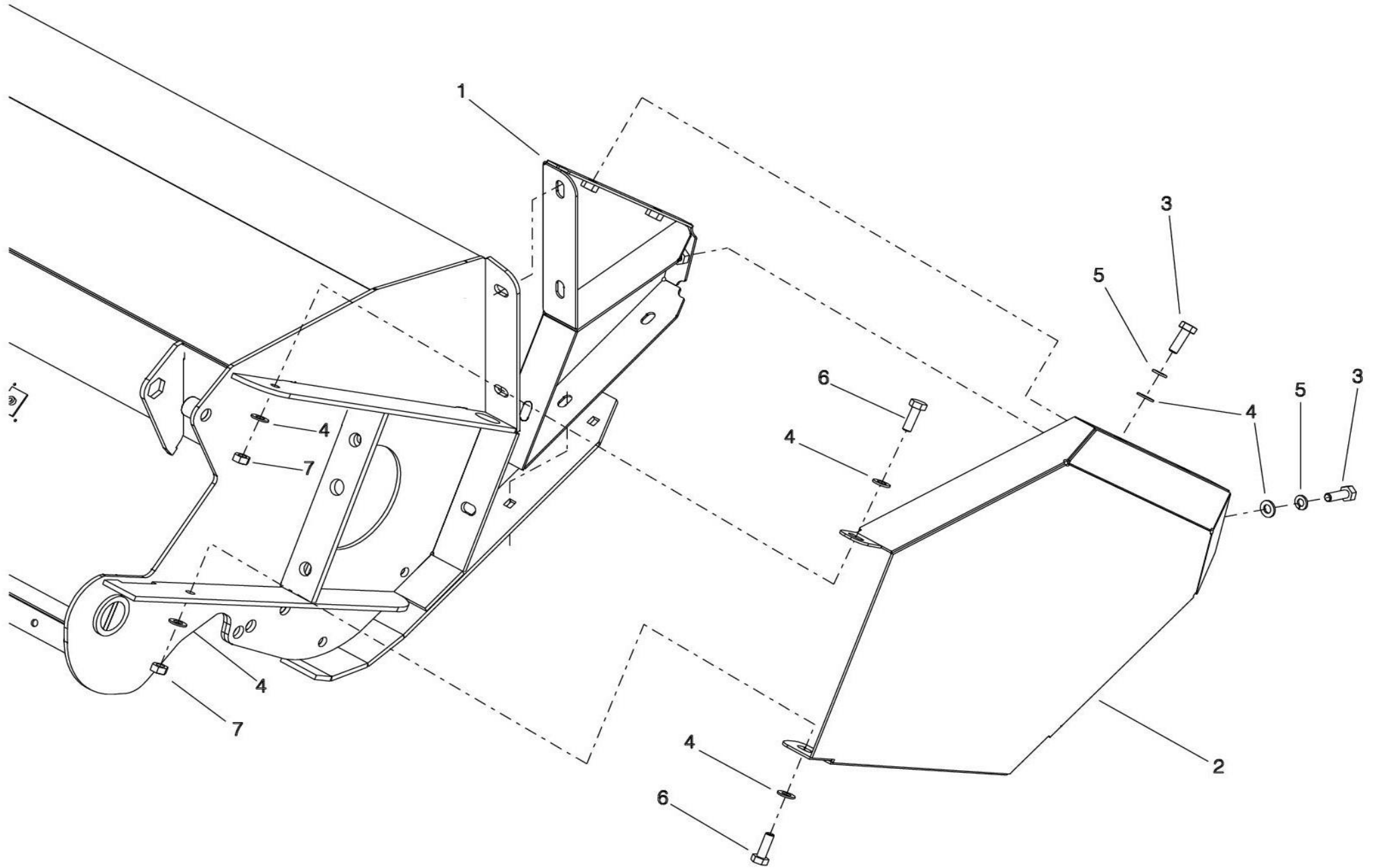
KIT-08093





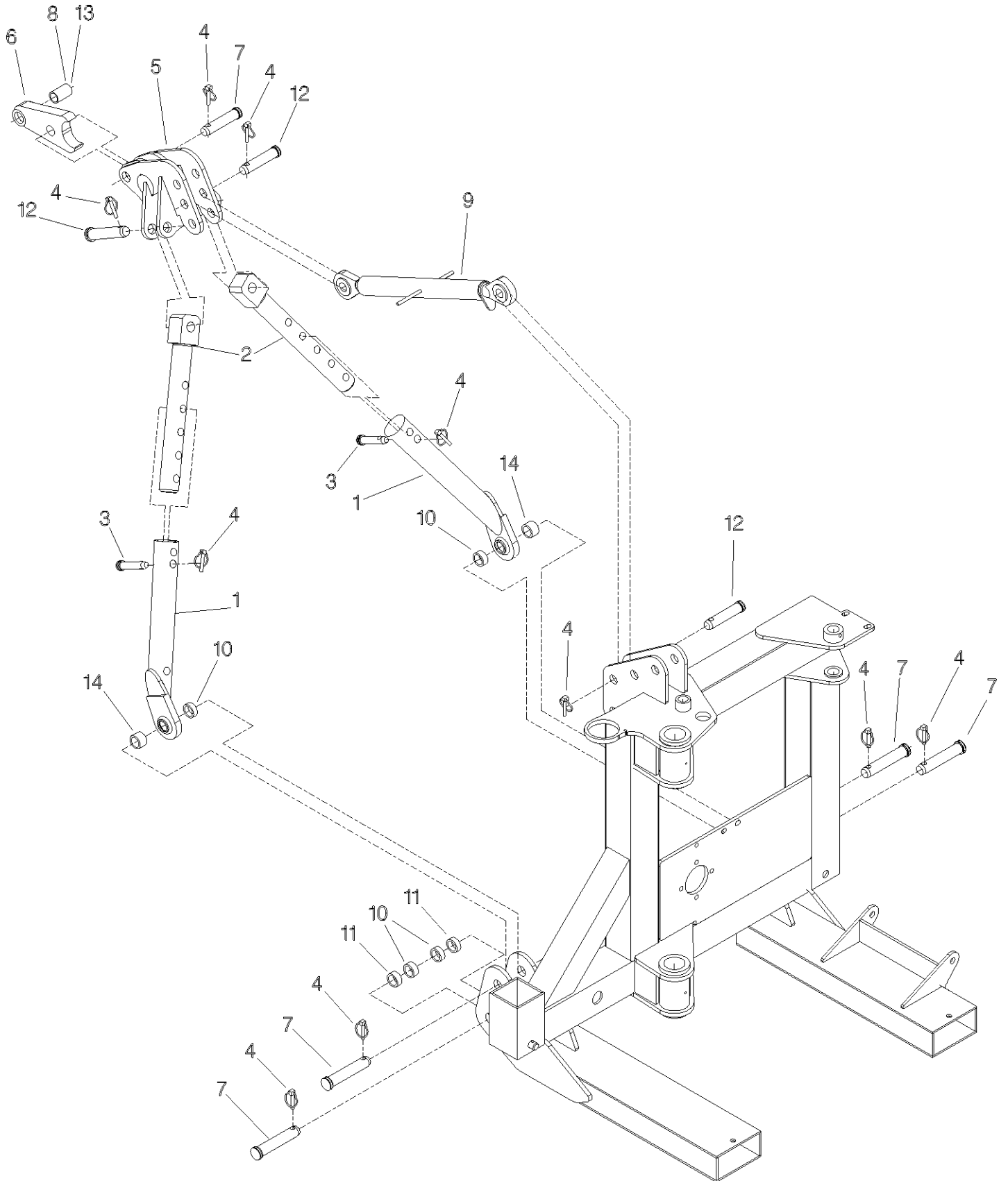
## Shelbourne Reynolds Engineering Limited

ASSY NUMBER: KIT-08094				ASSY DESCRIPTION: HEAD SKID COVER KIT			
ITEM	PART NO	DESCRIPTION	QTY	ITEM	PART NO	DESCRIPTION	QTY
1	801212 01	LH HEAD SIDE PANEL	1				
OR	801212 06	RH HEAD SIDE PANEL	1				
2	801213 01	LH HEAD SKID COVER	1				
OR	801213 02	RH HEAD SKID COVER	1				
3	HSS-0188	SETSCREW	3				
4	WSH-0015	WASHER	7				
5	WSH-0061	WASHER SPRING	3				
6	HSS-0194	SETSCREW	2				
7	NUT-0265	NUT	2				



## Shelbourne Reynolds Engineering Limited

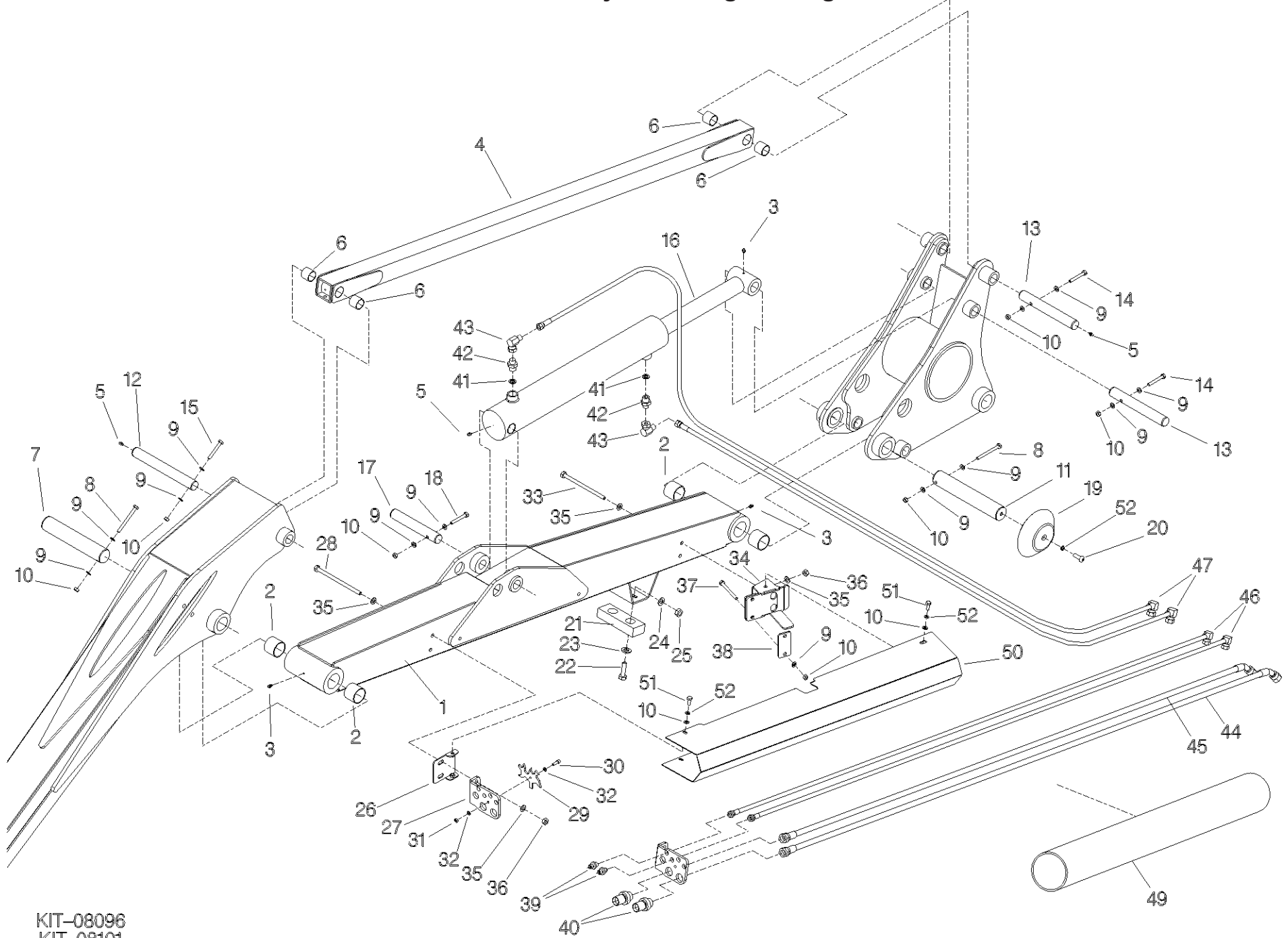
ASSY NUMBER: KIT-08095				ASSY DESCRIPTION: 3 POINT LINKAGE ASSEMBLY			
ITEM	PART NO	DESCRIPTION	QTY	ITEM	PART NO	DESCRIPTION	QTY
1	801248 01	3 POINT LINKAGE TUBE WA	2				
2	801245 01	3 POINT LINKAGE BAR	2				
3	21728202	HITCH PIN	2				
4	PIN-01950	LYNCH PIN	11				
5	801244 01	3 POINT LINKAGE WA	1				
6	800930 01	ROCKER	1				
7	800199 01	PIN	5				
8	800197 01	SPACER (THICK)	1				
9	ADL-11540	TOP LINK CAT 2/2	1				
10	800934 01	SPACER	6				
11	800934 02	SPACER	4				
12	800198 01	TOP LINK PIN CAT II	4				
13	800197 02	SPACER (THIN)	1				
14	800934 03	SPACER	2				



## Shelbourne Reynolds Engineering Limited

ASSY NUMBER: KIT-08096				ASSY DESCRIPTION: MD50 FIXED INNER BOOM			
ITEM	PART NO	DESCRIPTION	QTY	ITEM	PART NO	DESCRIPTION	QTY
1	801165 01	MD50 INNER BOOM W/A	1	40	HBK-0020	BULKHEAD FITTING	2
2	BSHA04562	BUSH	4	41	WSH-1015	WASHER	2
3	NIP-00605	GREASE NIPPLE	3	42	HMA-0065	HYD ADAPTOR	2
4	802628 01	TIE ARM WELD ASSY (6.0Mt)	1	43	HALAA0505	HYD ADAPTOR	2
5	NIP-00600	GREASE NIPPLE	3	44	HHBH23105	HYD HOSE	1
6	BSH-3030	BUSH PLAIN	4	45	HHBH22405	HYD HOSE	1
7	800102 14	PIN - OUTER BOOM	1	46	HHCC25005	HYD HOSE	2
8	BLTA08530	HEX.HEAD BOLT	2	47	HHCE23005	HYD HOSE	2
9	WSH-0012	WASHER	18	48			
10	NUT-0263	NUT	8	49	HHS-05010	HOSE SLEEVING	1.5m
11	800102 15	PIN - ROCKER PIVOT	1	50	801164 01	HOSE COVER	1
12	800987 09	PIN - TIE ARM	1	51	HSS-0140	SETSCREW	4
13	800987 10	PIN - TIE ARM/ROCKER	2	52	WSH-0058	WASHER	5
14	BLTA08380	HEX.HEAD BOLT	2				
15	BLTA08410	HEX.HEAD BOLT	1				
16	801303 01	REACH CYLINDER	1				
16a	RMSK00260	SEAL KIT					
17	800987 11	PIN - REACH RAM	1				
18	BLTA08470	HEX.HEAD BOLT	1				
19	800912 01	DISC	1				
20	SCBA08112	BUTTON SKT. HEAD SCREW	1				
21	801367 01	BUFFER	1				
22	BLTA12290	HEX.HEAD BOLT	2				
23	WSH-0024	WASHER	2				
24	WSH-0018	WASHER	2				
25	NUT-0269	NUT	2				
26	801136 01	GUARD FRONT BRACKET WA	1				
27	801290 01	HOSE BRACKET	1				
28	BLTA10770	HEX HEAD BOLT	2				
29	801291 01	BULKHEAD PLATE	1				
30	SCW-0086	CAP HEAD SCREW	1				
31	NUT-0260	NUT	1				
32	WSH-0009	WASHER	2				
33	BLTA10760	HEX HEAD BOLT	2				
34	801043 01	GUARD AND HOSE SUPP' WA	1				
35	WSH-0015	WASHER	8				
36	NUT-0265	NUT	4				
37	BLTA08500	HEX.HEAD BOLT	2				
38	801047 01	CLAMP PLATE	1				
39	HBK-0010	BULKHEAD FITTING	2				

**Shelbourne Reynolds Engineering Limited**



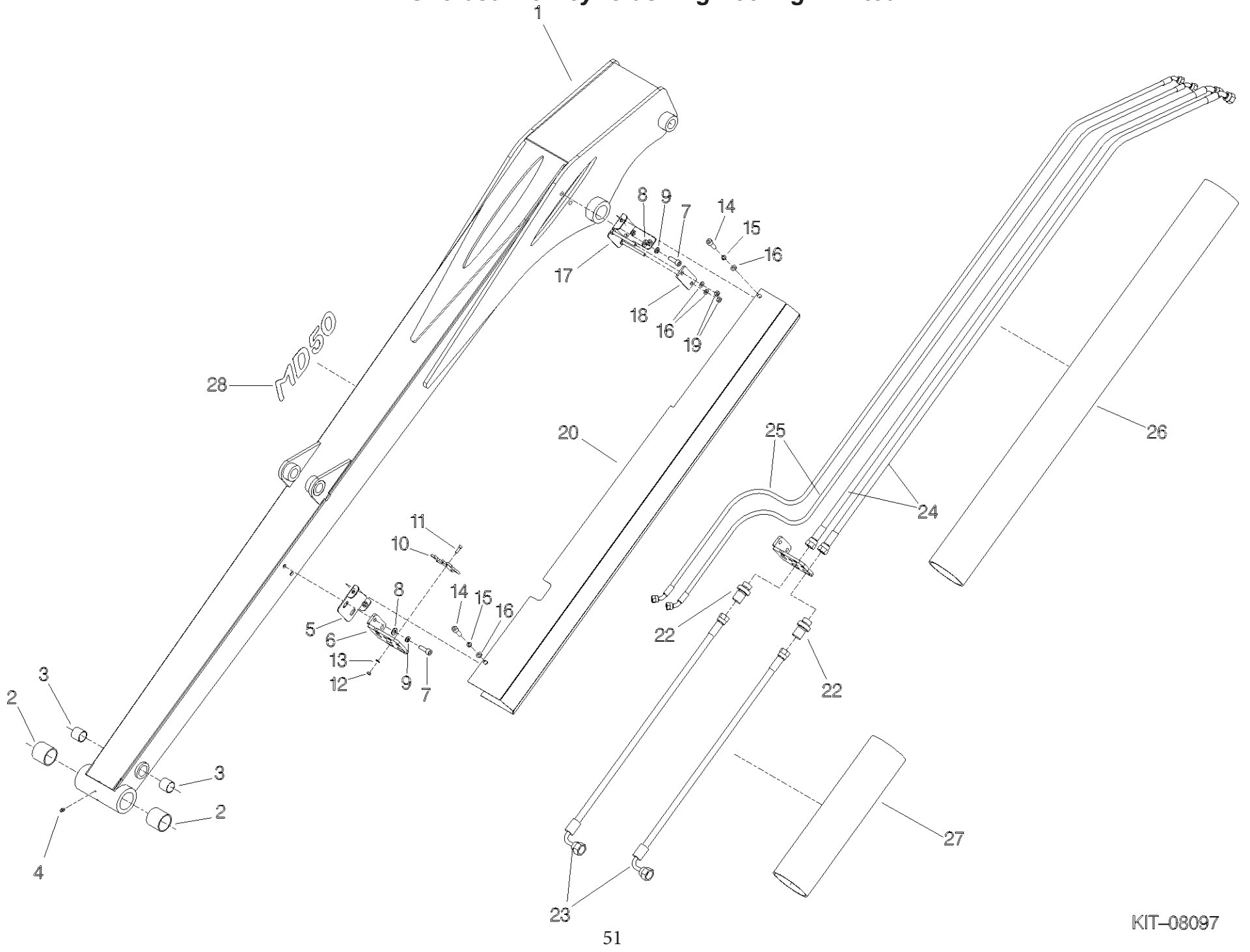
KIT-08096  
KIT-08101

## Shelbourne Reynolds Engineering Limited

ASSY NUMBER: KIT-08097				ASSY DESCRIPTION: MD50 FIXED OUTER BOOM			
ITEM	PART NO	DESCRIPTION	QTY	ITEM	PART NO	DESCRIPTION	QTY
1	801175 01	MD50 OUTER BOOM W/A	1				
2	BSHA05062	BUSH	2				
3	BSH-3030	BUSH PLAIN	2				
4	NIP-00600	GREASE NIPPLE	1				
5	801136 01	GUARD FRONT BRACKET WA	1				
6	801290 01	HOSE BRACKET	1				
7	SCW-0196	CAP HEAD SCREW	4				
8	WSH-0015	WASHER	4				
9	WSH-0061	WASHER	4				
10	801291 01	BULKHEAD PLATE	1				
11	SCW-0086	CAP HEAD SCREW	1				
12	NUT-0260	NUT	1				
13	WSH-0009	WASHER	1				
14	SCW-0130	HT CAP HEAD SCREW	4				
15	WSH-0058	WASHER	4				
16	WSH-0012	WASHER	6				
17	801138 01	GUARD REAR BRACKET WA	1				
18	801047 01	CLAMP PLATE	1				
19	NUT-0263	NUT	2				
20	801176 01	HOSE COVER	1				
21							
22	HBK-0020	BULKHEAD FITTING	2				
23	HHBH09405	HYD HOSE	2				
24	HHDH20005	HYD HOSE	2				
25	HHHC20005	HYD HOSE	2				
26	HHS-05010	HOSE SLEEVING - BOOMS	2.0m				
27	HHS-05010	HOSE SLEEVING - HEAD	1.0m				
28	802567 03	550 DECAL	2				
			1				



**Shelbourne Reynolds Engineering Limited**





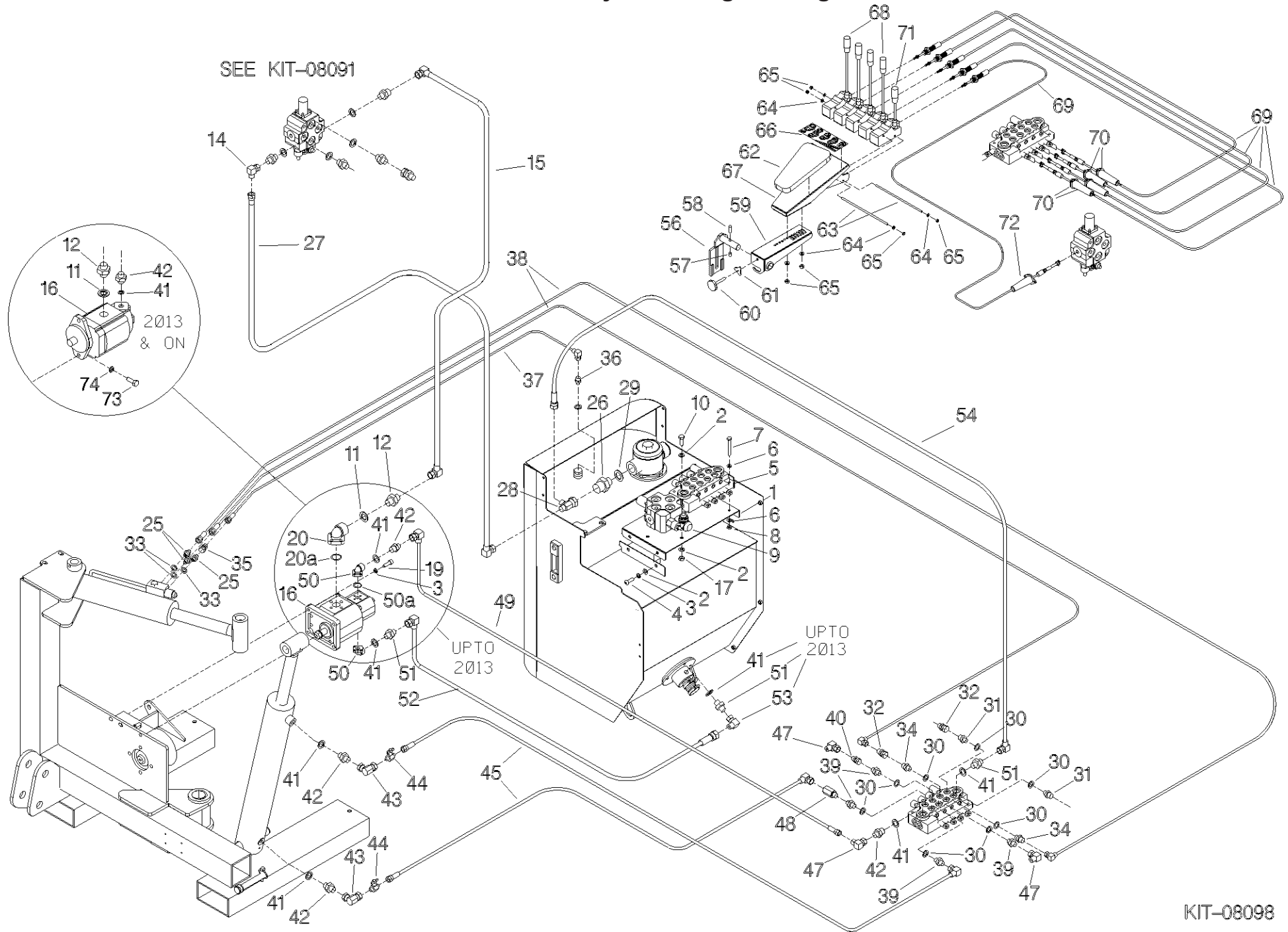
## Shelbourne Reynolds Engineering Limited

ASSY NUMBER:		KIT-08098		ASSY DESCRIPTION:		INDEPENDENT HYD (TWIN PUMP)-CABLE CONTROL	
ITEM	PART NO	DESCRIPTION	QTY	ITEM	PART NO	DESCRIPTION	QTY
1	801284 01	VALVE MTG PLATE	1	34	FIT-0025	M/M ADAPTOR	2
2	WSH-0015	WASHER	8	35	HACAA0303	M/F ADAPTOR	1
3	WSH-0061	WASHER	8	36	HMA-0055	M/M ADAPTOR	1
4	SCW-0514	BUTT SOC HD	4	37	HHBC06705	HYD HOSE	1
5	HVB-09905	SPOOL VALVE BLOCK	1	38	HHCC04105	HYD HOSE	2
5A	HVB-90061	BRASS INSERT (SPARES ONLY)	-	39	HMA-0057	M/M ADAPTOR	4
6	WSH-0012	WASHER	6	40	HACAA0505	M/F ADAPTOR	1
7	BLTA08440	BOLT	3	41	WSH-1015	DOWTY WASHER	4
8	NUT-0263	NUT	3	42	HMA-0065	M/M ADAPTOR	4
9				43	HAKAA0505	F/F ADAPTOR	2
10	BLTA10290	SETSCREW	2	44	HVB-02620	M/M SHUT OFF VALVE	2
11	WSH-1025	DOWTY WASHER	1	45	HHCE13005	HYD HOSE	2
12	HMA-0075	M/M ADAPTOR	1	46			
13				47	HALAA0505	M/F ADAPTOR	1
14	HALAA1111	M/F ADAPTOR	1	48	HVB-23000	RESTRICTOR VALVE	1
15	HHBH06105	HYD HOSE 3/4"FLAIL SP-PUMP	1	49	HHBE06705	HYD HOSE (	1
16	PUM090515	TANDEM PUMP EARLY 2013 & ON	1	50	PUM990430	FLANGE FITTING(UPTO 2013)	2
OR	PUM090510	TANDEM PUMP UPTO 2013	1	50a	ORB180158	O RING (SPARE)	-
17	NUT-0265	NYLOC NUT	2	51	HMA-0067	M/M ADAPTOR	1
18				52	HHEF02705	HYD HOSE UPTO 2013	1
19	SCW-0196	CAP.HD.SETSCREW	4	53			
20	PUM900430	FLANGE FITTING (UPTO 2013)	1	54	HHBF06705	HYD HOSE	1
20A	ORB180238	O RING (SPARES)	-	55			
21				56	801121 01	ARM REST FIXING BRACKET	1
22				57	SCW-4590	GRUB SCREW	1
23				58	SCGA10178	GRUB SCREW	1
24				59	802218 01	ARM REST MOUNT	1
25	HMA-0052	M/M ADAPTOR	3	60	KNO-0002	PLASTIC KNOB	1
26	HAAAA1315	M/M ADAPTOR	1	61	801100 01	LOCKING PLATE	1
27	HHBI05705	HYD HOSE	1	62	802242 01	FOAM PAD	1
28	FITA10370	TEE FITTING	1	63	800186 04	STUDING	2
29	WSH-1030	DOWTY WASHER	1	64	WSH-0009	WASHER	4
30	WSH-1010	DOWTY WASHER	9	65	NUT-0260	NUT	4
31	190859 01	M/M ADAPTOR	2	66	801324 01	LEVER TRANSFER	1
32	FIT-0520	M/F ADAPTOR	2	67	801322 01	CONTROLS ARM REST	1
33	WSH-1005	DOWTY WASHER	3	68	LVR-0040	LEVER ASSY	4

## Shelbourne Reynolds Engineering Limited

ASSY NUMBER: KIT-08098		ASSY DESCRIPTION: INDEPENDENT HYD (TWIN PUMP)-CABLE CONTROL	
ITEM	PART NO	DESCRIPTION	QTY
69	CBL-30005	CABLE 115458 & ON	5
OR	CBL-30000	CABLE UPTO 115458	-
70	HVB-08000	FIXING KIT	4
71	LVR-00410	LEVER ASSY	1
72	HVB-08010	FIXING KIT	1
73	HSS-0238	SETSCREW	2
74	WSH-0065	SPRING WASHER	2

# Shelbourne Reynolds Engineering Limited



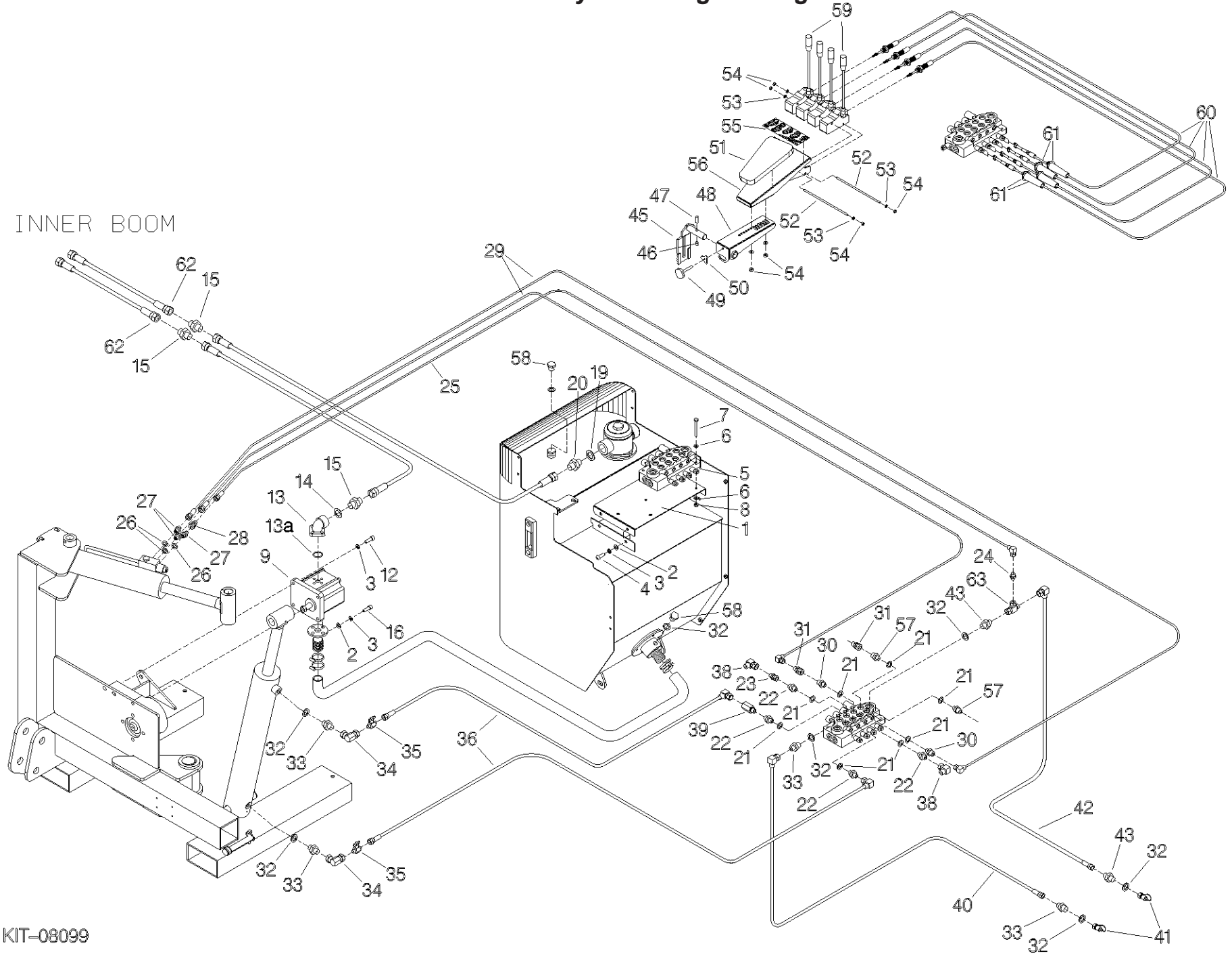
KIT-08098

## Shelbourne Reynolds Engineering Limited

ASSY NUMBER: KIT-08099				ASSY DESCRIPTION: SEMI-INDEPENDENT HYD (SINGLE PUMP			
ITEM	PART NO	DESCRIPTION	QTY	ITEM	PART NO	DESCRIPTION	QTY
1	801284 01	VALVE MOUNTING PLATE	1	40	HHBE17105	HYD HOSE	1
2	WSH-0015	WASHER	8	41	COU-0162	QUICK RELEASE COUPLING	2
3	WSH-0061	WASHER	12	42	HHBF18105	HYD HOSE	1
4	SCW-0514	BUTTON SKT HD SCREW	4	43	HMA-0067	HYD ADAPTOR	2
5	HVB-09905	SPOOL VALVE BLOCK	1	44			
6	WSH-0012	WASHER	6	45	801121 01	ARMREST FIXING BRACKET	1
7	BLTA08440	HEX.HEAD BOLT	3	46	SCW-4590	SOCKET GRUBSCREW	1
8	NUT-0263	NUT	3	47	SCGA10178	GRUB SCREW	1
9	PUM000430	PUMP - POLARIS SINGLE ROTATION	1	48	801101 01	ARMREST W/A	1
10				49	KNO-0002	PLASTIC KNOB	1
11				50	801100 01	LOCKING PLATE	1
12	SCW-0196	CAP HEAD SCREW	4	51	801113 01	FOAM PAD	1
13	PUM900430	PUMP 3/4" BSP STRAIGHT	1	52	800186 03	STUDDING	2
13a	ORB180238	O RING (SPARES)	-	53	WSH-0009	WASHER	4
14	WHS-1020	WASHER	1	54	NUT-0260	NUT	4
15	HMA-0074	HYD ADAPTOR	3	55	801324 01	LEVER TRANSFER	1
16	SCW-0190	SOCKET CAP HEAD SCREW	4	56	801322 01	CONTROLS ARM RST W/A	1
17	NUT-0265	NUT	2	57	190859 01	HYDRAULIC FITTING	2
18				58	FIT-0217	BLANKING PLUG	2
19	WSH-1030	DOWTY WASHER	1	59	LVR-00400	LEVER ASSEMBLY WITH BLACK KNOB	4
20	HAAAA1115	HYD ADAPTOR	1	60	CBL-30005	CABLE	4
21	WSH-1010	DOWTY WASHER	9	61	HVB-08000	FIXING KIT (CABLE TO VALVE)	4
22	HMA-0057	HYD ADPATOR	4	62	HHAH02305	HYD HOSE	2
23	HACAA0505	HYD ADAPTOR	1	63	FITA10420	TEE FITTING	1
24							
25	HHBC06705	HYD HOSE	1				1
26	WSH-1005	DOWTY WASHER	3				
27	HMA-0052	HYD ADAPTOR	3				
28	HACAA0303	HYD ADAPTOR	1				
29	HHCC04105	HYD HOSE	2				
30	FIT-0025	HYD ADAPTOR	2				
31	FIT-0520	HYD ADAPTOR	2				
32	WSH-1015	DOWTY WASHER	7				
33	HMA-0065	HYD ADAPTOR	4				
34	HAKAA0505	HYD ADAPTOR	2				
35	HVB-02620	SHUT OFF VALVE	2				
36	HHCE13005	HYD HOSE	2				
37							
38	HALAA0505	HYD ADAPTOR	2				
39	HVB-23000	RESTRICTOR VALVE	1				

# Shelbourne Reynolds Engineering Limited

INNER BOOM



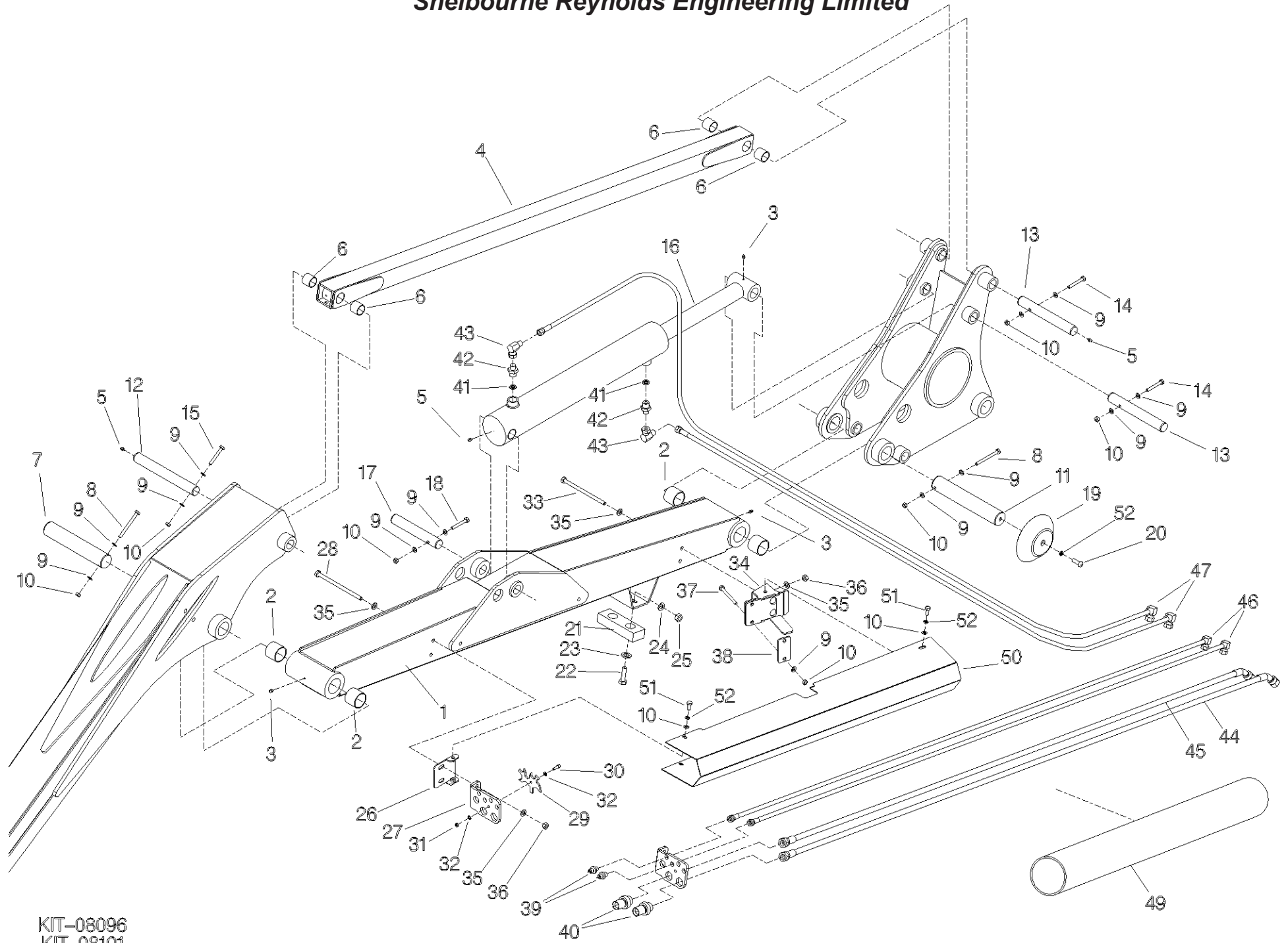
KIT-08099

## Shelbourne Reynolds Engineering Limited

ASSY NUMBER: KIT-08101				ASSY DESCRIPTION: MD56 FIXED INNER BOOM			
ITEM	PART NO	DESCRIPTION	QTY	ITEM	PART NO	DESCRIPTION	QTY
1	801308 01	MD56 INNER BOOM W/ASSY	1	41	WSH-1015	DOWTY WASHER	2
2	BSHA04562	BUSH	4	42	HMA-0065	HYD ADAPTOR	2
3	NIP-00605	GREASE NIPPLE	3	43	HALAA0505	HYD ADAPTOR	2
4	802629 01	TIE ARM WELD ASSY (5.5Mt/7.0Mt	1	44	HHBH26805	HYD HOSE	1
5	NIP-00600	GREASE NIPPLE	3	45	HHBH26105	HYD HOSE	1
6	BSH-3030	BUSH PLAIN	4	46	HHCC29005	HYD HOSE	2
7	800102 14	PIN - OUTER BOOM	1	47	HHCE23005	HYD HOSE	2
8	BLTA08530	HEX.HEAD BOLT	2	48			
9	WSH-0012	WASHER	18	49	HHS-05010	HOSE SLEEVING	1.5m
10	NUT-0263	NUT	8				
11	800102 15	PIN - ROCKER PIVOT	1				
12	800987 09	PIN - TIE ARM	1				
13	800987 10	PIN - TIE ARM	2	50	801309 01	MD50 HOSE COVER	1
14	BLTA08380	HEX.HEAD BOLT	2	51	HSS-0140	SETSCREW	4
15	BLTA08410	HEX.HEAD BOLT	1	52	WSH-0058	WASHER	5
16	801303 01	REACH RAM	1	53			
17	800987 26	PIN - REACH RAM	1				
18	BLTA08470	HEX.HEAD BOLT	1				
19	800912 01	DISC	1				
20	SCBA08112	BUTTON SKT. HEAD SCREW	1				
21	801367 01	BUFFER	1				
22	BLTA12290	HEX.HEAD BOLT	2				
23	WSH-0024	WASHER	2				
24	WSH-0018	WASHER	2				
25	NUT-0269	NUT	2				
26	801136 01	GUARD FRONT BRACKET WA	1				
27	801290 01	HOSE BRACKET	1				
28	BLTA10770	HEX HEAD BOLT	2				
29	801291 01	BULKHEAD PLATE	1				
30	SCW-0086	CAP HEAD SCREW	1				
31	NUT-0260	NUT	1				
32	WSH-0009	WASHER	2				
33	BLTA10760	HEX HEAD BOLT	2				
34	801043 01	GUARD AND HOSE SUPP' WA	1				
35	WSH-0015	WASHER	8				
36	NUT-0265	NUT	4				
37	BLTA08500	HEX.HEAD BOLT	2				
38	801047 01	CLAMP PLATE	1				
39	HBK-0010	BULKHEAD FITTING	2				
40	HBK-0020	BULKHEAD FITTING	2				



**Shelbourne Reynolds Engineering Limited**

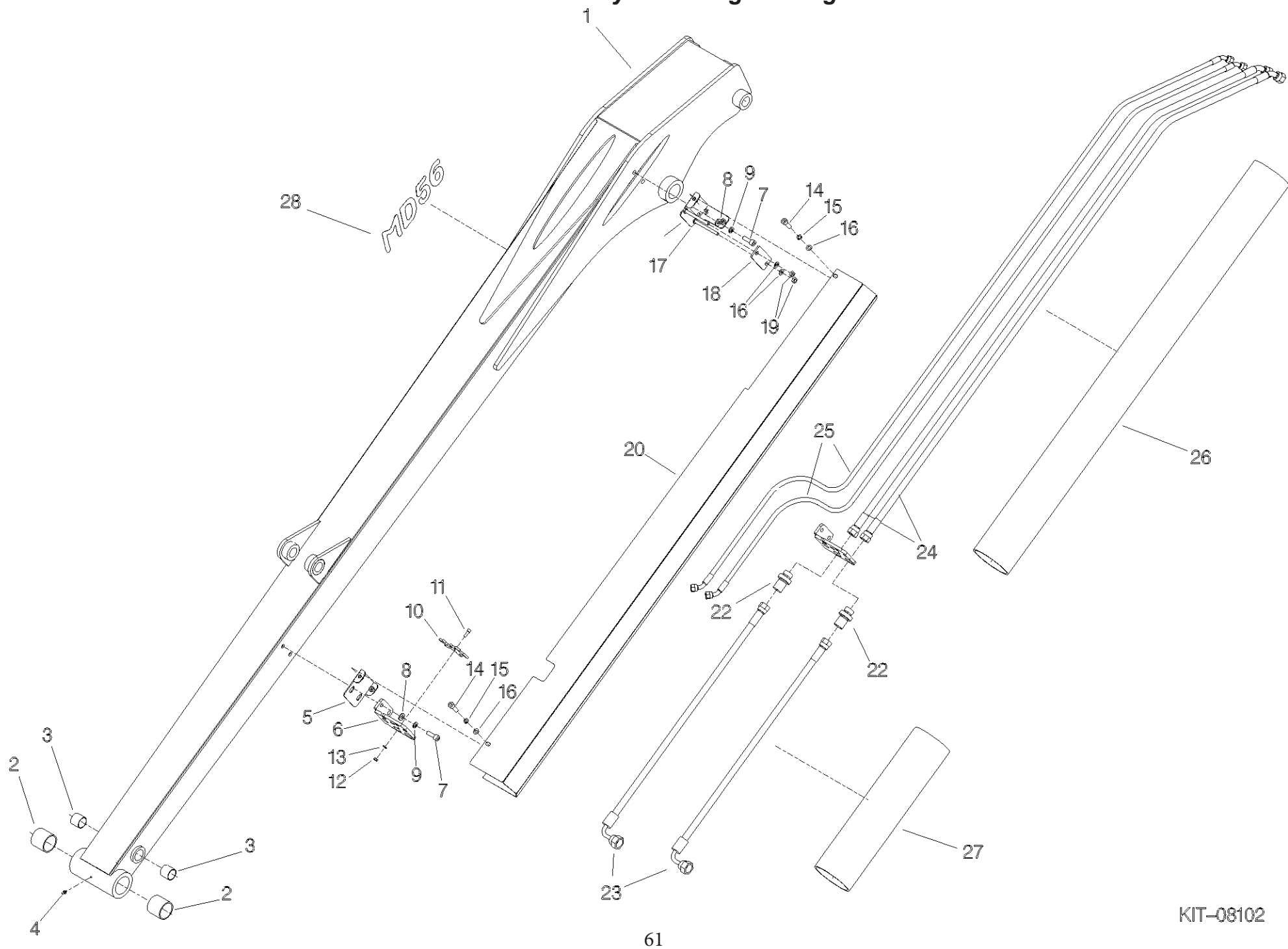


KIT-08096  
KIT-08101

## Shelbourne Reynolds Engineering Limited

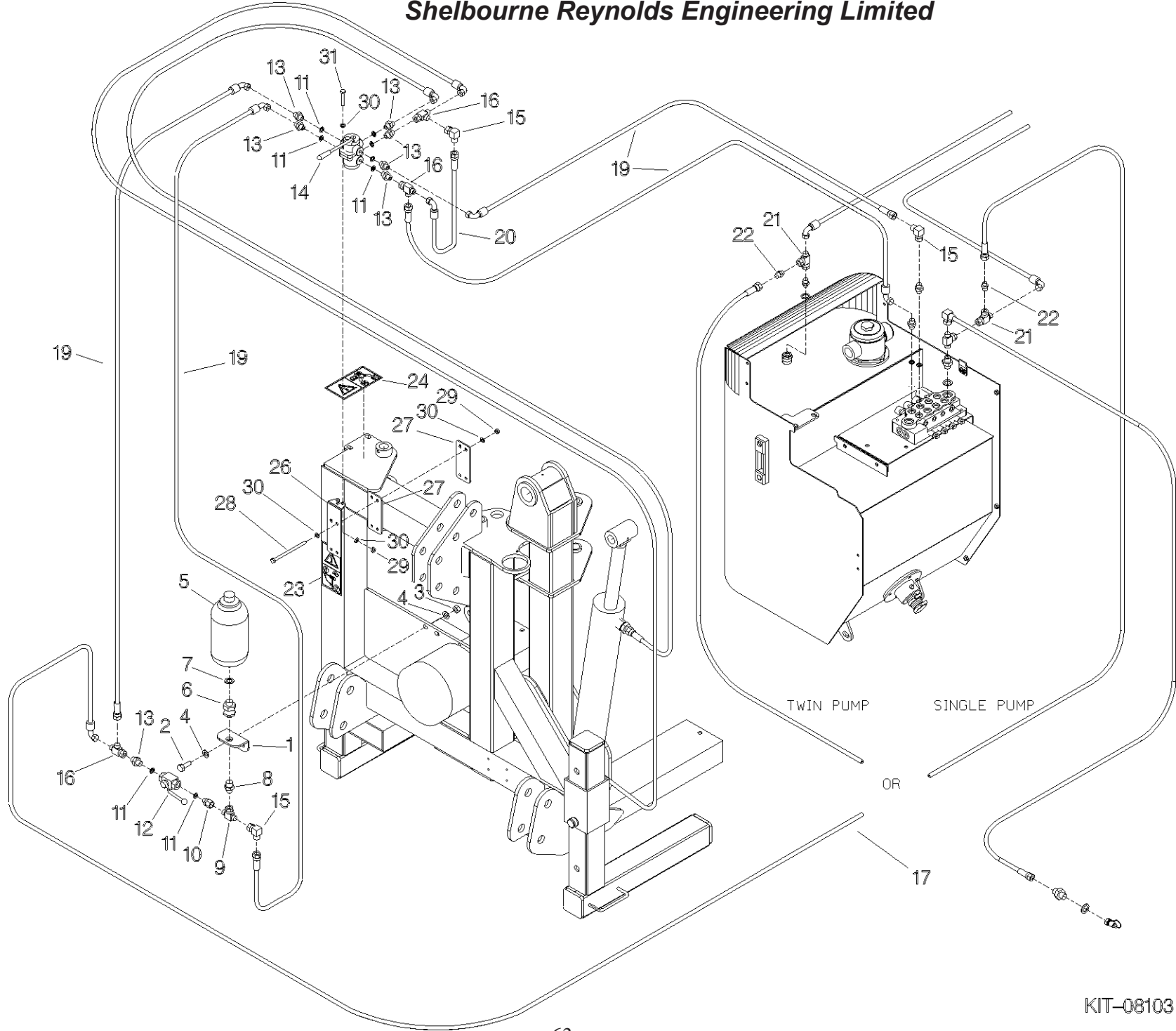
ASSY NUMBER: KIT-08102				ASSY DESCRIPTION: MD56 FIXED OUTER BOOM KIT			
ITEM	PART NO	DESCRIPTION	QTY	ITEM	PART NO	DESCRIPTION	QTY
1	801316 01	MD56 OUTER BOOM	1				
2	BSHA05062	BUSH	2				
3	BSH-3030	BUSH PLAIN	2				
4	NIP-00600	GREASE NIPPLE	1				
5	801136 01	GUARD FRONT BRACKET WA	1				
6	801290 01	HOSE BRACKET	1				
7	SCW-0196	CAP HEAD SCREW	4				
8	WSH-0015	WASHER	4				
9	WSH-0061	WASHER	4				
10	801291 01	BULKHEAD PLATE	1				
11	SCW-0086	CAP HEAD SCREW	1				
12	NUT-0260	NUT	1				
13	WSH-0009	WASHER	1				
14	SCW-0130	HT CAP HEAD SCREW	4				
15	WSH-0058	WASHER	4				
16	WSH-0012	WASHER	6				
17	801138 01	GUARD REAR BRACKET WA	1				
18	801047 01	CLAMP PLATE	1				
19	NUT-0263	NUT	2				
20	801317 01	HOSE COVER	1				
21							
22	HBK-0020	BULKHEAD FITTING	2				
23	HHBH09405	HYD HOSE	2				
24	HHDH23305	HYD HOSE	2				
25	HHHC23305	HYD HOSE	2				
26	HHS-05010	HOSE SLEEVING - BOOMS	2.0m				
27	HHS-05010	HOSE SLEEVING - HEAD	1.0m				
28	802567 04	556 DECAL	2				

Shelbourne Reynolds Engineering Limited



## Shelbourne Reynolds Engineering Limited

ASSY NUMBER: KIT-08103				ASSY DESCRIPTION: MANUAL ARM FLOAT			
ITEM	PART NO	DESCRIPTION	QTY	ITEM	PART NO	DESCRIPTION	QTY
1	801332 01	BRACKET ACCUMULATOR	1				
2	HSS-0241	SET SCREW	2				
3	NUT-0269	NUT	2				
4	WSH-0018	WASHER	4				
5	HYA-01410	ACCUMULATOR	1				
6	HAGAA0707	BULKHEAD FITTING	1				
7	WSH-1015	DOWTY WASHER	1				
8	FIT-0240	HYD ADAPTOR	1				
9	FITA10140	TEE FITTING	1				
10	21304017	HYDRAULIC ADAPTOR	1				
11	WSH-1010	DOWTY WASHER	8				
12	21303109	HIGH PRESSURE BALL VALVE	1				
13	HMA-0057	HYD ADAPTOR	7				
14	HVB-01540	6 WAY FLOW DIVERTER VALVE -	1				
15	HALAA0505	HYD ADAPTOR	3				
16	FITA10410	TEE FITTING	3				
17	HHCE13005	HYD HOSE ACC - TANK	1				
18							
19	HHBE06705	HYD HOSE SPOOL-VAL	4				
20	HHBE05005	HYD HOSE VAL-VAL	1				
21	FITA10330	TEE FITTING	1				
22	FIT-0025	FITTING	13				
23	801418 01	MANUAL ARM FLOAT	1				
24	801417 01	TRANSFER - ACCUMLATOR	1				
25							
26	801371 01	FIXING BRACKET	1				
27	801370 01	FIXING PLATE	2				
28	BLTA08650	HEX HEAD BOLT	4				
29	NUT-0263	NYLOC NUT	6				
30	WSH-0012	PLAIN WASHER	12				
31	SCW-0145	HT CAP HEAD SCREW	2				



TWIN PUMP

SINGLE PUMP

OR



## Shelbourne Reynolds Engineering Limited

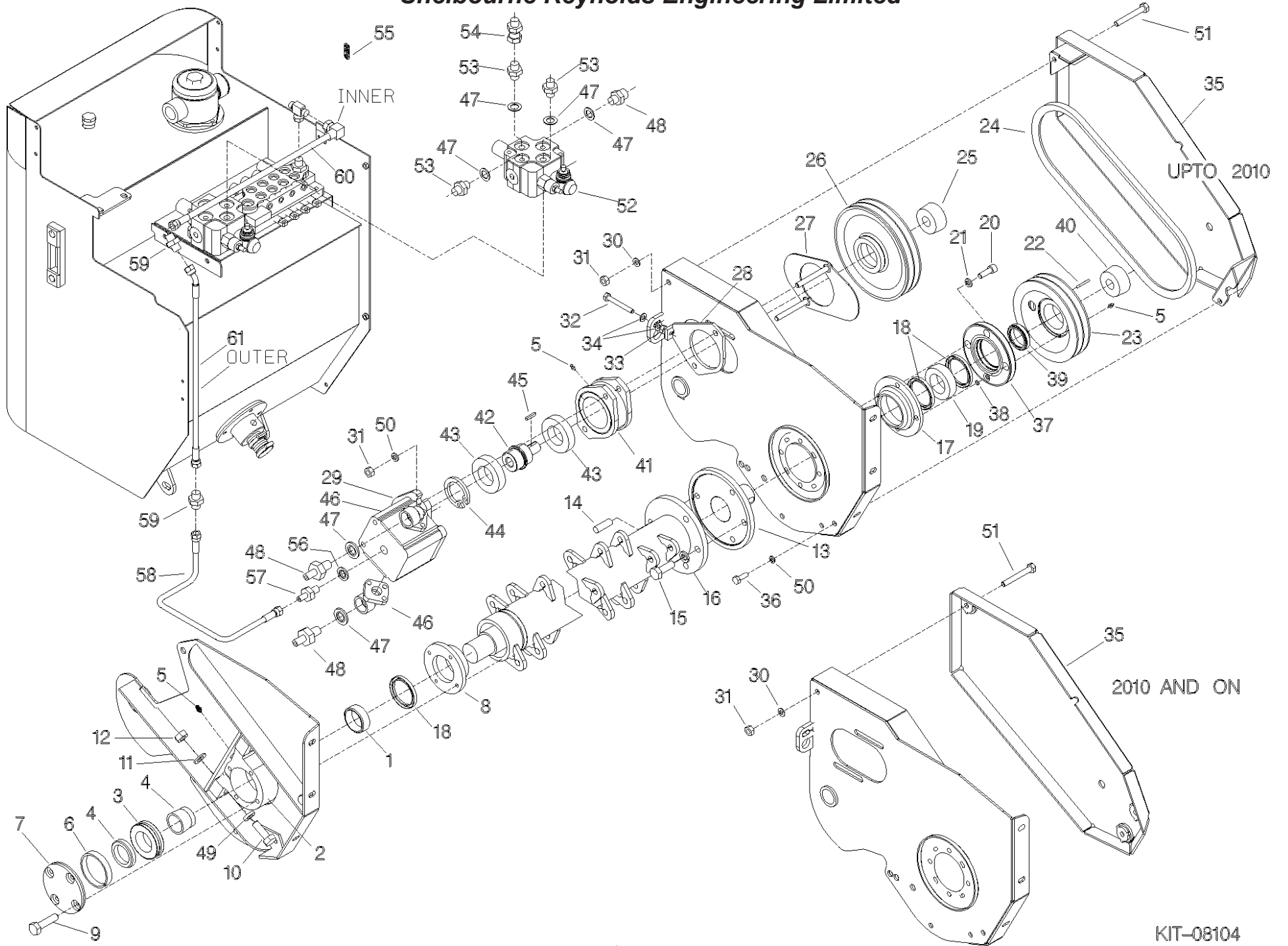
ASSY NUMBER:		KIT-08104		ASSY DESCRIPTION:		LOW POWER BELT DRIVE & FLAIL MOUNTING KIT (MD TRIMMER)	
ITEM	PART NO	DESCRIPTION	QTY	ITEM	PART NO	DESCRIPTION	QTY
1	800019 01	SLEEVE	1	32	HSSA10380	SET SCREW	1
2	800873 01	BEARING HOUSING	1	33	NUT-0167	PLAIN NUT	1
3	BRG-14580	BEARING	1	34	WSH-0015	PLAIN WASHER	2
4	BRG-94521	BEARING SLEEVE	1	35	801553 01	DRIVE COVER (EARLY 2010 & ON)	1
5	NIP-00600	GREASE NIPPLE	3	OR	801068 01	DRIVE COVER (UPTO EARLY 2010)	-
6	800067 01	SPACER	1	36	HSS-0238	SETSCREW	1
7	802219 01	COVER (2012 & ON)	1	37	801064 02	BEARING RETAINER	1
OR	800874 01	COVER (UPTO 2012)	-	38	ORA120080	O RING	1
8	800017 01	SLEEVE	1	39	801066 01	PULLEY SPACER	1
9	BLTA10410	BOLT (M16x65mm) (2012 & ON)	4	40	BSHZ05056	TAPERLOCK BUSH	1
OR	SCEA10473	CSK SCREW (UPTO 2012)	-	41	801116 01	SUPPORT BRG HOUSING	1
10	BLTA16474	BOLT	2	42	801104 01	SUPPORT BRG SHAFT	1
11	WSH-0024	PLAIN WASHER	2	43	BRG-15050	BEARING	2
12	NUT-0271	NYLOC NUT	2	44	CIR010090	CIRCLIP	1
13	801067 01	DRIVE FLANGE	1	45	KEYB20000	KEY	1
14	193079 01	DOWEL PIN	1	46	FITF00005	THREADED ELBOW C/W FITTINGS	2
15	HSSA16200	SETSCREW	3	47	WSH-1020	DOWTY WASHER	6
16	WSHA30161	SPRING WASHER	3	48	HMA-0075	ADAPTOR	3
17	800700 01	BEARING HOUSING	1	49	190119 85	WASHER (16mm 6mm THK)	2
18	SEAA06500	SHAFT SEAL	3	50	WSHA30121	WASHER	2
19	BRG-15080	BEARING	1	51	BLT-2270	BOLT	1
20	SCW-0243	SOC.CAP HD SCREW	4	52	HVB-09925	FAIL MOTOR VALVE	1
21	WSH-0065	SPRING WASHER	3	53	HMA-0074	ADAPTOR	3
22	K1409032	KEY	1	54	HACAA1111	ADAPTOR	1
23	801065 01	DRIVE PULLEY	1	55	802295 01	TRANSFER	1
24	BEL-10140	VEE BELT	2				
25	BSHZ14032	TAPERLOCK BUSH	1				
26	800027 01	MOTOR PULLEY	1				
27	800023 02	FIXING BLT W/A	1				
28	800028 01	MOTOR MOUNT PLATE	1				
29	MOTH02720	HYD MOTOR 2012 & ON	1				
OR	MOTH02710	HYD MOTOR UPTO 2012	-				
30	WSH-0018	PLAIN WASHER	2				
31	NUT-0269	NYLOC NUT	3				

## Shelbourne Reynolds Engineering Limited

ASSY NUMBER:		KIT-08104		ASSY DESCRIPTION:		LOW POWER BELT DRIVE & FLAIL MOUNTING KIT (MD TRIMMER)	
ITEM	PART NO	DESCRIPTION	QTY	ITEM	PART NO	DESCRIPTION	QTY
56	HMA-0067	ADAPTOR	1				
57	WSH-1015	DOWTY WASHER	1				
58	HHAF17005	HYD HOSE	1				
59	HAGAA0707	BULKHEAD	2				
60	HHBF25505	HYD HOSE	1				
OR	HHBF27505	HYD HOSE	-				
61	HHDF20005	HYD HOSE	1				
OR	HHDF23405	HYD HOSE	-				
62	FITA10150	TEE FITTING	1				



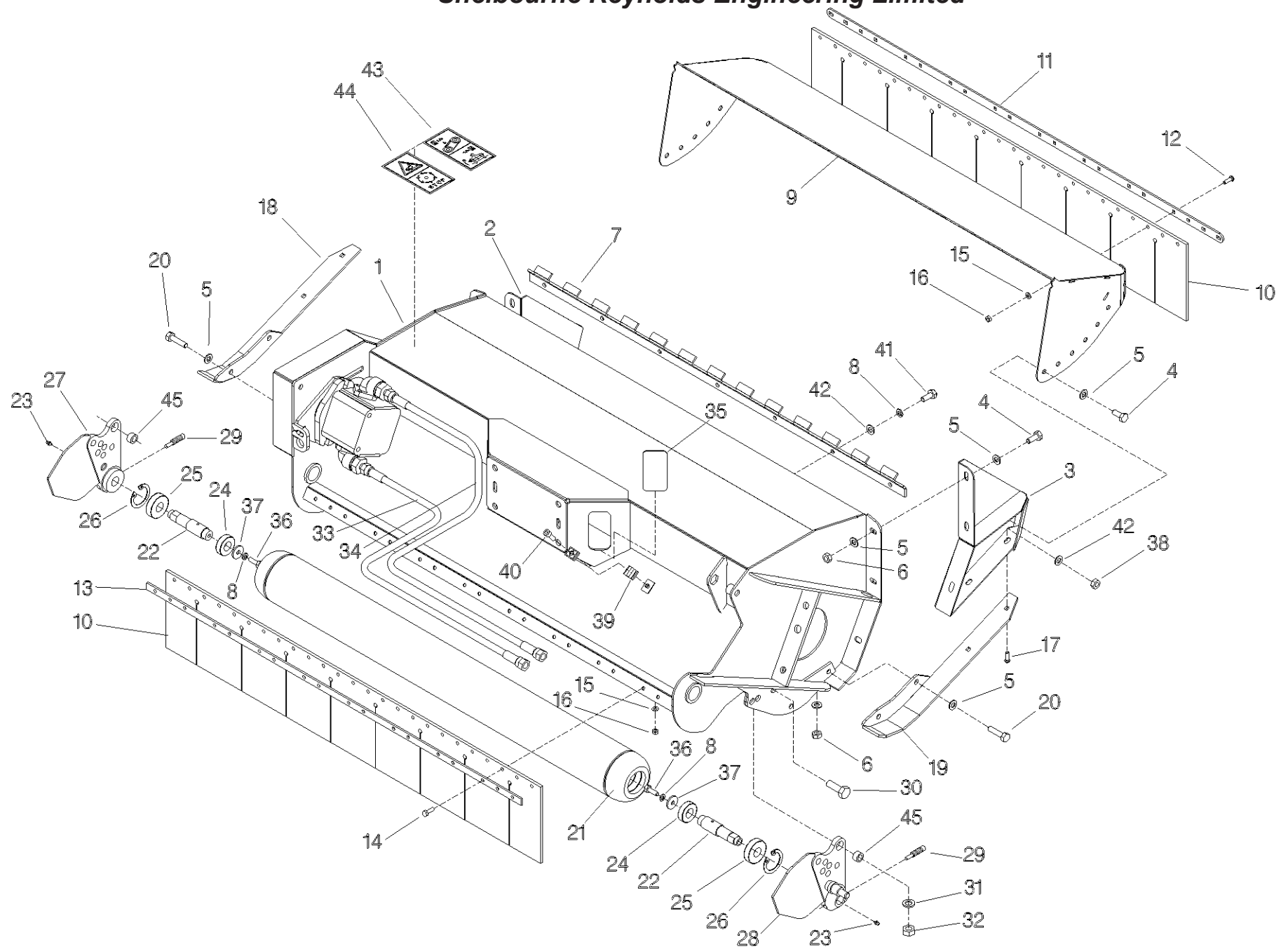
**Shelbourne Reynolds Engineering Limited**



## Shelbourne Reynolds Engineering Limited

ASSY NUMBER: KIT-08105				ASSY DESCRIPTION: HEAD SHELL, NOSE AND ROLLER 1.2M			
ITEM	PART NO	DESCRIPTION	QTY	ITEM	PART NO	DESCRIPTION	QTY
1	800830 01	LH HEAD SHELL 1.2m	1	41	HSS-0194	SET SCREW	7
2	800815 01	NOSE SIDE PANEL LH	1	42	WSH-0015	WASHER	11
3	800815 02	NOSE SIDE PANEL RH	1	43	800213 01	TRANSFER-BELTS/BOLTS	1
4	HSS-0235	SET SCREW	8	44	800218 01	TRANS.-STOP BELT ENT	1
5	WSH-0018	WASHER	28	45	801436 01	SPACER	2
6	NUT-0269	NUT	12				
7	800812 01	HINGE PLATE 1.2m	1				
8	WSH-0061	WASHER	9				
9	800820 01	NOSE 1.2m	1				
10	800068 01	RUBBER CURTAIN 1.2MT	2				
11	800825 01	CURTAIN STRIP 1.2MT	1				
12	BLTF08173	COACH BOLT	20				
13	800069 01	CURTAIN STRIP 1.2MT	1				
14	HSS-0145	SETSCREW	18				
15	WSH-0012	WASHER	38				
16	NUT-0263	NUT	38				
17	BLT-3745	COACHBOLT	4				
18	800881 01	LH SKID W/A	1				
19	800881 02	RH SKID W/A	1				
20	HSS-0250	SET SCREW	4				
21	800826 01	ROLLER W/ASSY 1.2MT	1				
22	801445 01	STUB SHAFT	2				
23	NIP-00600	GREASE NIPPLE	2				
24	BRG-4125	BEARING	2				
25	BRG-3358	SUPPORT	2				
26	CIR-0620	CIRCLIP INT 62MM	2				
27	801435 02	LH ROLLER BRACKET W/A	1				
28	801435 01	RH ROLLER BRACKET W/A	1				
29	800450 01	COTTER PIN	2				
30	HSS-0318	SET SCREW	4				
31	WSH-0024	WASHER	4				
32	NUT-0271	NUT	4				
33	HHAH05805	HYD HOSE	1				
34	HHAH07105	HYD HOSE	1				
35	CAP-0060	PLASTIC END CAP (60x120)	2				
36	HSS-0188	SET SCREW	2				
37	190119 09	WASHER	2				
38	NUT-0265	NUT	4				
39	HCPD01400	HYD PIPE CLAMP	1				
40	SCW-0136	HT CAP HEAD SCREW	1				

# Shelbourne Reynolds Engineering Limited

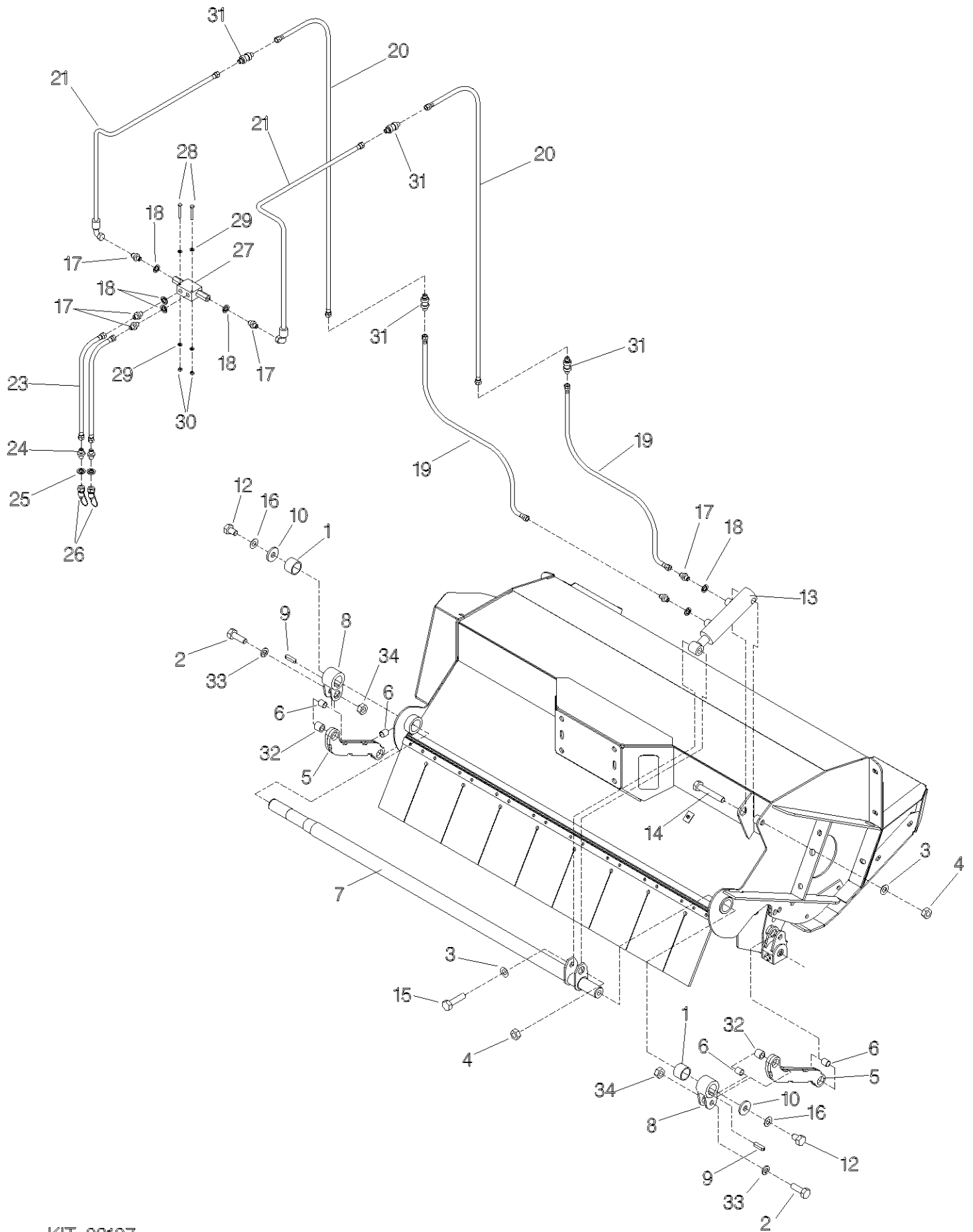


KIT-08105  
KIT-08112

## Shelbourne Reynolds Engineering Limited

ASSY NUMBER: KIT-08107				ASSY DESCRIPTION: ADJUSTABLE HYD ROLLER KIT			
ITEM	PART NO	DESCRIPTION	QTY	ITEM	PART NO	DESCRIPTION	QTY
1	BSHA03556	BUSH	2				
2	HSS-0316	SETSCREW	2				
3	SPGI10116	DISC SPRING	2				
4	NUT-0271	NUT	2				
5	800872 04	CRANKED ARM	2				
6	21172420	BUSH GLACIER	4				
7	800865 01	LH HEAD SHAFT W/ASSY 1.2MT	1				
8	800869 01	ARM W/ASSY	2				
9	K1008040	KEY	2				
10	190119 07	WASHER	2				
11	WSH-0070	WASHER	2				
12	HSS-0312	SET SCREW	2				
13	800875 01	CYLINDER, ADJ ROLLER	1				
14	BLT-2320	HEX.HEAD BOLT	1				
15	800458 02	SPECIAL BOLT	1				
16	WSH-0024	WASHER	2				
17	HMA-0052	HYD ADAPTOR	6				
18	WSH-1005	DOWTY WASHER	6				
19	HHAC20005	HYD HOSE - 1.2m HEAD	2				
OR	HHAC21505	HYD HOSE - 1.5m HEAD	2				
20	HHDC20505	HYD HOSE 5.0m OUTER	2				
OR	HHDC23305	HYD HOSE 5.6m OUTER	2				
21	HHCC29005	HYD HOSE 5.0m INNER	2				
OR	HHCC32705	HYD HOSE 5.6m INNER	2				
22							
23	HHCC15005	HYD HOSE	2				
24	HMA-0055	HYD ADAPTOR	2				
25	WSH-1015	DOWTY WASHER	2				
26	COU-0162	QUICK RELEASE COUPLING	2				
27	HVB-27000	PILOT OPERAT CHECK VALVE	1				
28	SCW-0098	HT CAP HEAD SCREW	2				
29	WSH-0009	WASHER	4				
30	NUT-0260	NUT	2				
31	HBK-0010	BULKHEAD FITTING	4				
32	801436 02	SPACER	2				
33	WSHA30161	WASHER	2				
34	NUT-0180	NUT	2				

# Shelbourne Reynolds Engineering Limited



KIT-08107



## Shelbourne Reynolds Engineering Limited

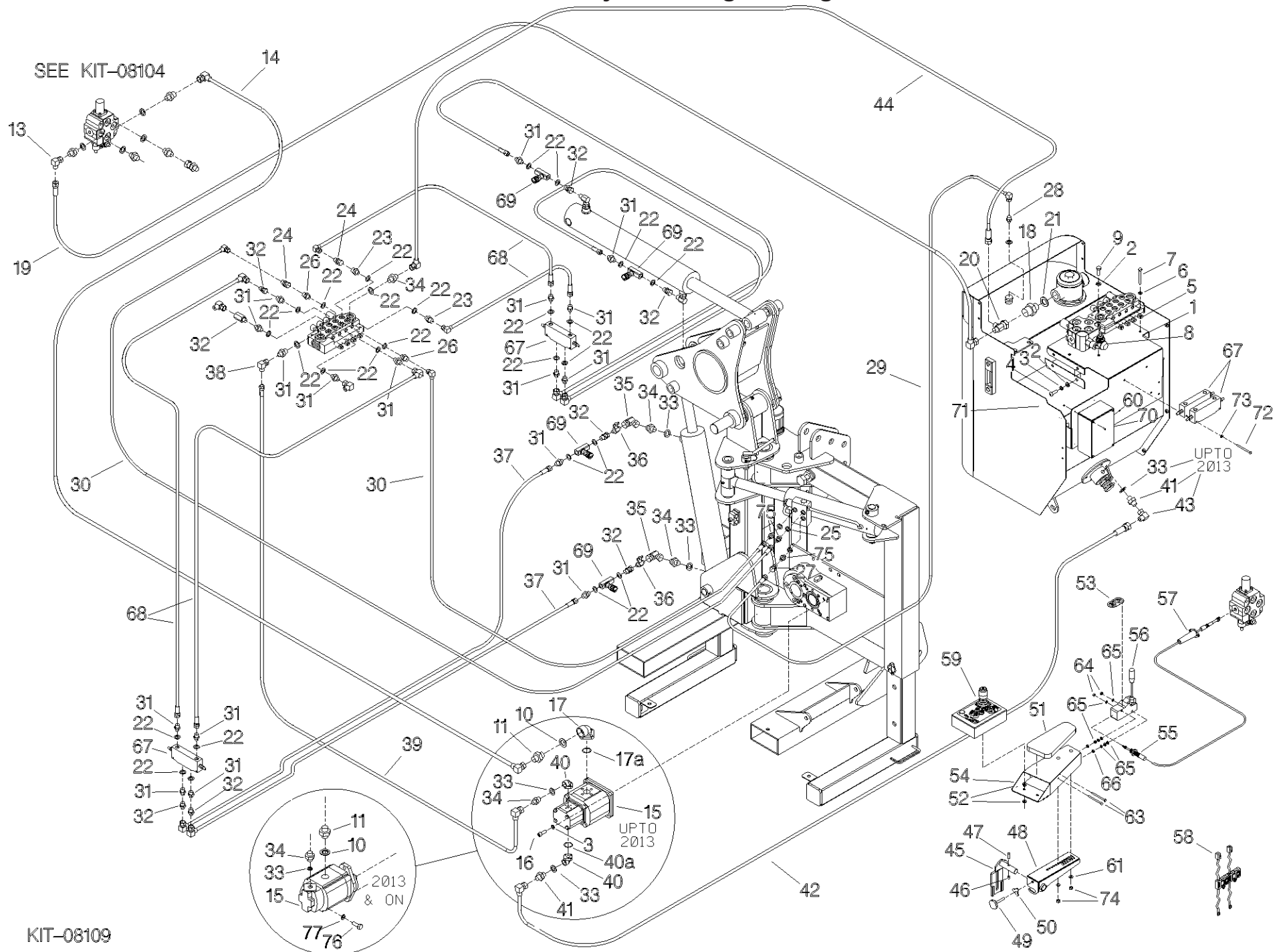
ASSY NUMBER:		KIT-08109		ASSY DESCRIPTION:		INDEPENDENT HYD (TWIN PUMP)-ELECT CONTROL	
ITEM	PART NO	DESCRIPTION	QTY	ITEM	PART NO	DESCRIPTION	QTY
1	801358 01	VALVE MTG PLATE	1	35	HAKAA0505	F/F ADAPTOR	2
2	WSH-0015	WASHER	6	36	HVB-02620	M/M SHUT OFF VALVE	2
3	WSH-0061	WASHER	10	37	HHCE13005	HYD HOSE	2
4	SCW-0514	BUTT SOC HD	4	38	HALAA0505	M/F ADAPTOR	1
5	HVB-19095	SOLENOID VALVE BLOCK	1	39	HHBE06705	HYD HOSE(	1
6	WSH-0012	WASHER	3	40	PUM990430	FLANGE FITTING(UPTO 2013)	2
7	BLTA08440	BOLT	3	40A	ORB180158	O RING SPARES	-
8				41			
9	BLTA10290	SETSCREW	2	42	HHEF02705	HYD HOSE UPTO 2013	1
10	WSH-1025	DOWTY WASHER	1	43			
11	HMA-0075	M/M ADAPTOR	1	44	HHBF06705	HYD HOSE	1
12				45	801121 01	ARM REST FIXING BRACKET	1
13	HALAA1111	M/F ADAPTOR	1	46	SCW-4590	GRUB SCREW	1
14	HHBH06105	HYD HOSE 3/4"FLAIL SP-PUMP	1	47	SCGA10178	GRUB SCREW	1
15	PUM090515	TANDEM PUMP EARLY 2013 & ON	1	48	802218 01	ARM REST MOUNT	1
OR	PUM090510	TANDEM PUMP UPTO EARLY 2013	1	49	KNO-0002	PLASTIC KNOB	1
16	SCW-0196	CAP.HD.SETSCREW	4	50	801100 01	LOCKING PLATE	1
17	PUM900430	FLANGE FITTING (UPTO 2013)	1	51	802242 01	FOAM PAD	1
17A	ORB180238	O RING (SPARES)	-	52	WSH-1038	LOADSPREAD WASHER	4
18	HAAAA1315	M/M ADAPTOR	1	53	801364 01	TRANSFER - ROTOR DRIVE	1
19	HHBI05705	HYD HOSE	1	54	802239 01	CONTROLS ARM REST	1
20	FITA10370	TEE FITTING	1	55	CBL-30005	CABLE	1
21	WSH-1030	DOWTY WASHER	1	56	LVR-00410	LEVER ASSY	1
22	WSH-1010	DOWTY WASHER	19	57	HVB-08010	FIXING KIT	1
23	190859 01	M/M ADAPTOR	2	58	801127 01	BATTERY CONNECTION KIT	1
24	FIT-0520	M/F ADAPTOR	2	59	801352 01	ELECTRONIC JOYSTICK CONTROL	1
25	WSH-1005	DOWTY WASHER	3	60	801353 01	ELECTRONIC CONTROL UNIT	1
26	FIT-0025	M/M ADAPTOR	2	61	WSH-0058	WASHER	2
27	HACAA0303	M/F ADAPTOR	1	62			
28	HMA-0055	M/M ADAPTOR	1	63	HSSA06410	SETSCREW	2
29	HHBC06705	HYD HOSE	1	64	NUT-0160	PLAIN NUT	2
30	HHCC04105	HYD HOSE	2	65	WSH-0009	WASHER	12
31	HMA-0057	M/M ADAPTOR	16	66	NUTA04060	WINGNUT	2
32	HACAA0505	M/F ADAPTOR	8	67	HVB-29500	DUAL OVERCENTRE VALVE	2
33	WSH-1015	DOWTY WASHER	4	68	HHCE03105	HOSE	4
34	HMA-0065	M/M ADAPTOR	4	69	HVB-04010	IN LINE NEEDLE VALVE	4

## Shelbourne Reynolds Engineering Limited

ASSY NUMBER:		KIT-08109		ASSY DESCRIPTION:		INDEPENDENT HYD (TWIN PUMP) -ELECT CONTROL	
ITEM	PART NO	DESCRIPTION	QTY	ITEM	PART NO	DESCRIPTION	QTY
70	SCW-0035	CAP HEAD SCREW	4				
71	NUT-0255	NYLOC NUT	4				
72	BLTA06470	HEX HEAD BOLT	2				
73	WSH-0056	SPRING WASHER	2				
74	NUT-0260	NYLOC NUT (M6)	6				
75	HMA-0052	M/M ADAPTOR	3				
76	HSS-0238	SETSCREW	2				
77	WSH-0065	SPRING WASHER	2				



# Shelbourne Reynolds Engineering Limited

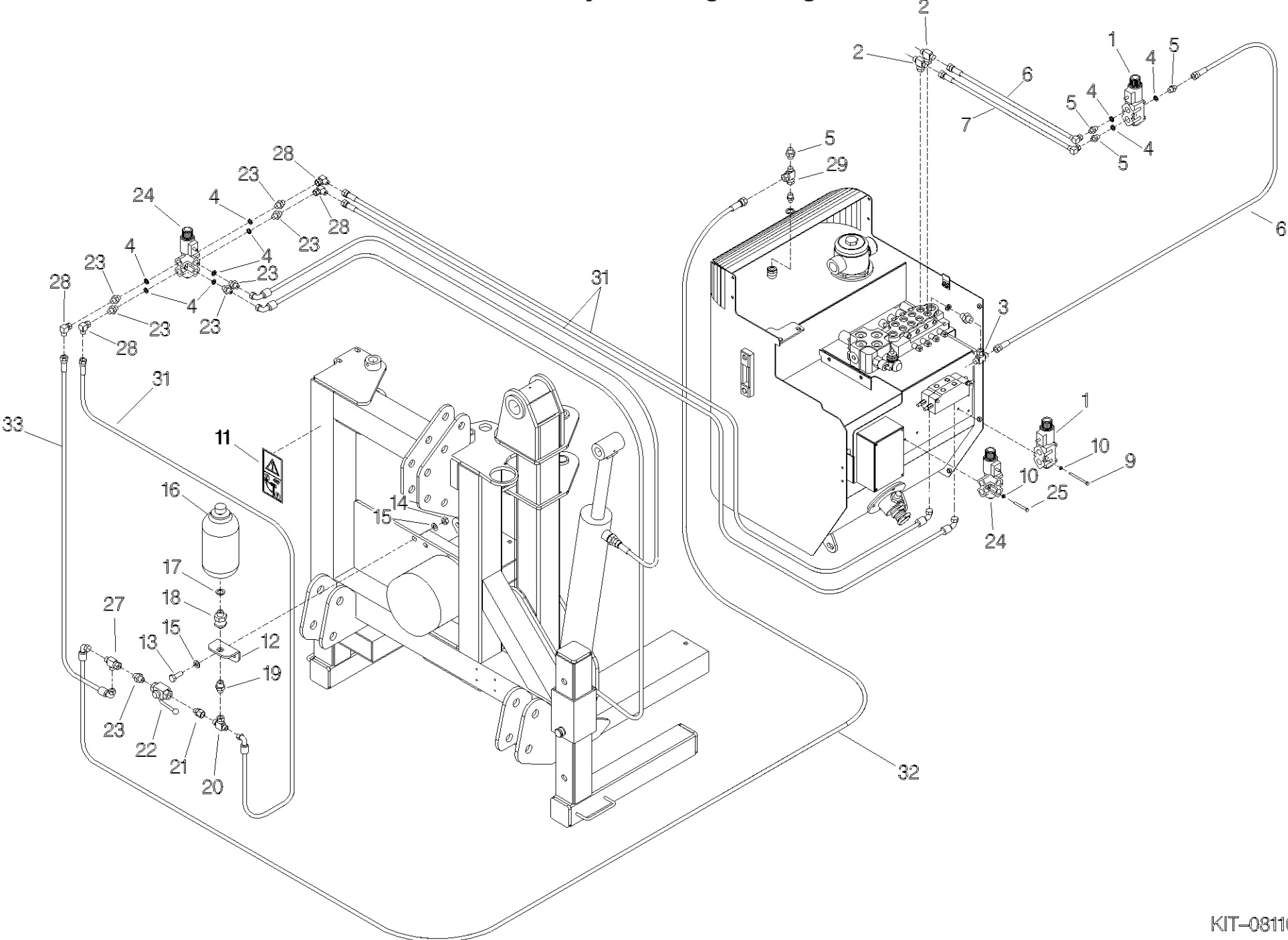


KIT-08109

## Shelbourne Reynolds Engineering Limited

ASSY NUMBER: KIT-08110				ASSY DESCRIPTION: ELECTRIC ARM & HEAD FLOAT			
ITEM	PART NO	DESCRIPTION	QTY	ITEM	PART NO	DESCRIPTION	QTY
1	HVB-10900	SOLENOID DIVETER VALVE -HEAD	1				
2	FITA10480	TEE FITTING	2				
3	FITA10420	TEE FITTING	1				
4	WSH-1010	DOWTY WASHER	10				
5	FIT-0025	FITTING	4				
6	HHBC06105	HYD HOSE VALVE-VALVE	2				
7	HHBC08005	HYD HOSE VALVE-VALVE	1				
8	HACAA0303	HYD ADAPTOR	1				
9	BLTA06380	HEX.HEAD BOLT	3				
10	WSH-0009	WASHER	5				
11	801417 01	TRANSFER - ACCUMLATOR	1				
12	801332 01	BRACKET ACCUMULATOR	1				
13	HSS-0241	SET SCREW	2				
14	NUT-0269	NUT	2				
15	WSH-0018	WASHER	4				
16	HYA-01410	ACCUMULATOR	1				
17	WSH-1015	DOWTY WASHER	1				
18	HAGAA0707	BULKHEAD FITTING	1				
19	FIT-0240	HYD FITTING	1				
20	FITA10140	TEE FITTING	1				
21	21304017	HYDRAULIC ADAPTOR	2				
22	21303109	HIGH PRESSURE BALL VALVE	1				
23	HMA-0057	HYD FITTING	7				
24	HVB-10905	SOLENOID DIVERTER VALVE -FLOAT	1				
25	BLTA06320	HEX.HEAD BOLT	2				
26			1				
27	FITA10410	TEE FITTING	7				
28	HALAA05005	HYD ADAPTOR	1				
29	FITA10330	TEE FITTING	2				
30							
31	HHBE05005	HYD HOSE AMR-FLOAT	3				
32	HHCE13005	HYD HOSE ACC-TANK	1				
33	HHCE06505	HYD HOSE VAL-ACC	1				

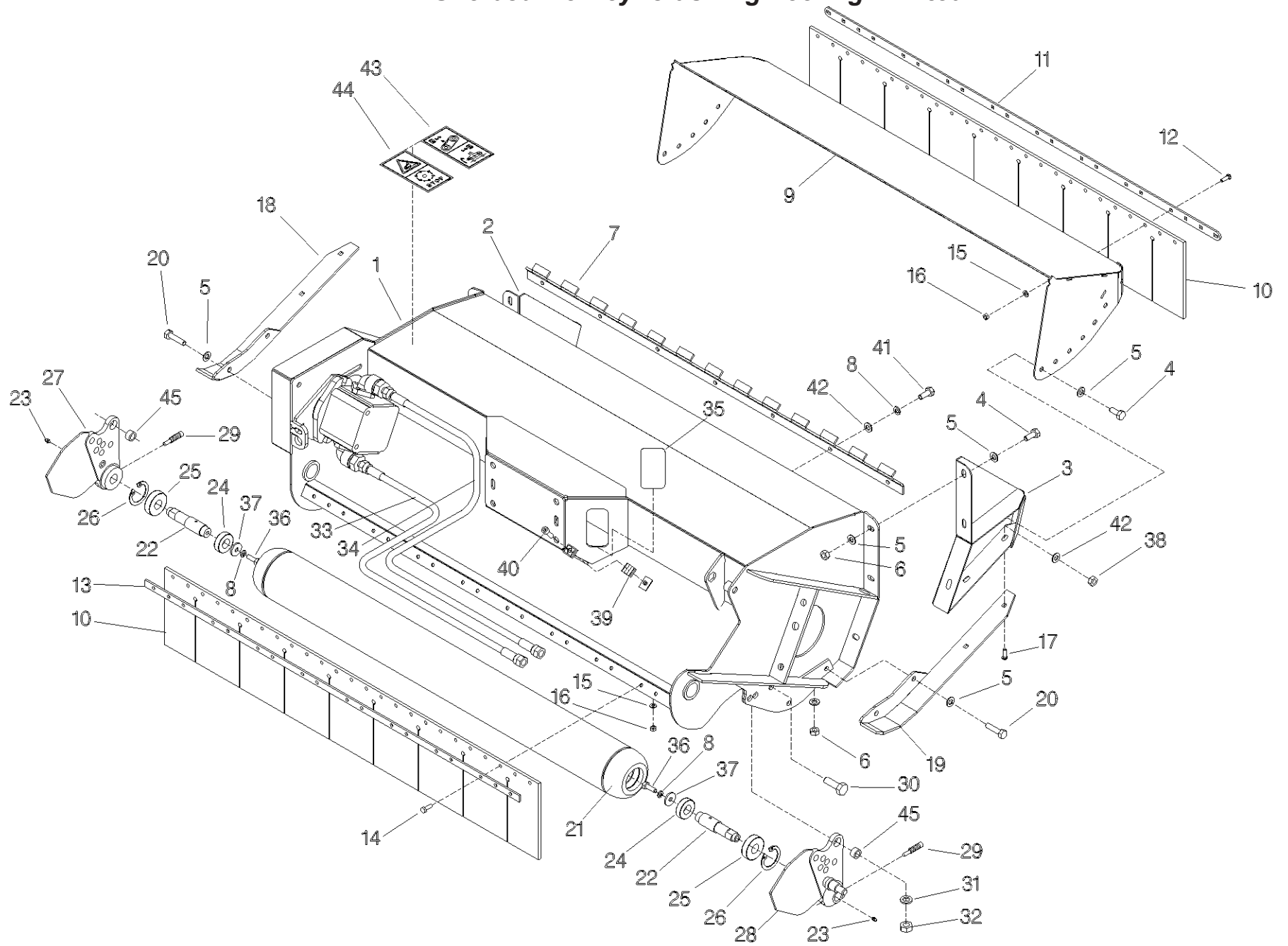
Shelbourne Reynolds Engineering Limited



## Shelbourne Reynolds Engineering Limited

ASSY NUMBER: KIT-08112				ASSY DESCRIPTION: HEAD SHELL, NOSE AND ROLLER 1.5			
ITEM	PART NO	DESCRIPTION	QTY	ITEM	PART NO	DESCRIPTION	QTY
1	800830 02	LH HEAD SHELL	1	41	HSS-0194	SET SCREW	7
2	800815 01	NOSE SIDE PANEL LH	1	42	WSH-0015	WASHER	11
3	800815 02	NOSE SIDE PANEL RH	1	43	800213 01	TRANSFER-BELTS/BOLTS	1
4	HSS-0235	SET SCREW	8	44	800218 01	TRANS.-STOP BELT ENT	1
5	WSH-0018	WASHER	28	45	801436 01	SPACER	2
6	NUT-0269	NUT	12				
7	800812 02	HUNGE PLATE 1.5m	1				
8	WSH-0061	WASHER	9				
9	800820 02	NOSE 1.5m	1				
10	800068 02	RUBBER CURTAIN 1.5MT	2				
11	800825 02	CURTAIN STRIP 1.5MT	1				
12	BLT-2700	BOLT	20				
13	800069 02	CURTAIN STRIP 1.5MT	1				
14	HSS-0150	SET SCREW	18				
15	WSH-0012	WASHER	38				
16	NUT-0263	NUT	38				
17	BLT-3745	COACHBOLT	4				
18	800881 01	LH SKID W/A	1				
19	800881 02	RH SKID W/A	1				
20	HSS-0250	SET SCREW	4				
21	800826 02	ROLLER W/ASSY 1.5MT	1				
22	801445 01	STUB SHAFT	2				
23	NIP-00600	GREASE NIPPLE	2				
24	BRG-4125	BEARING	2				
25	BRG-3358	SUPPORT	2				
26	CIR-0620	CIRCLIP INT 62MM	2				
27	801435 02	LH ROLLER BRACKET W/A	1				
28	801435 01	RH ROLLER BRACKET W/A	1				
29	800450 01	COTTER PIN	2				
30	HSS-0318	SET SCREW	4				
31	WSH-0024	WASHER	4				
32	NUT-0271	NUT	4				
33	HHAH07105	HYD HOSE	1				
34	HHAH08605	HYD HOSE	1				
35	CAP-0060	PLASTIC END CAP (60x120)	2				
36	HSS-0188	SET SCREW	2				
37	190119 09	WASHER	2				
38	NUT-0265	NUT	4				
39	HCPD01400	HYD PIPE CLAMP TWIN 14mm	1				
40	SCW-0136	HT CAP HEAD SCREW	1				

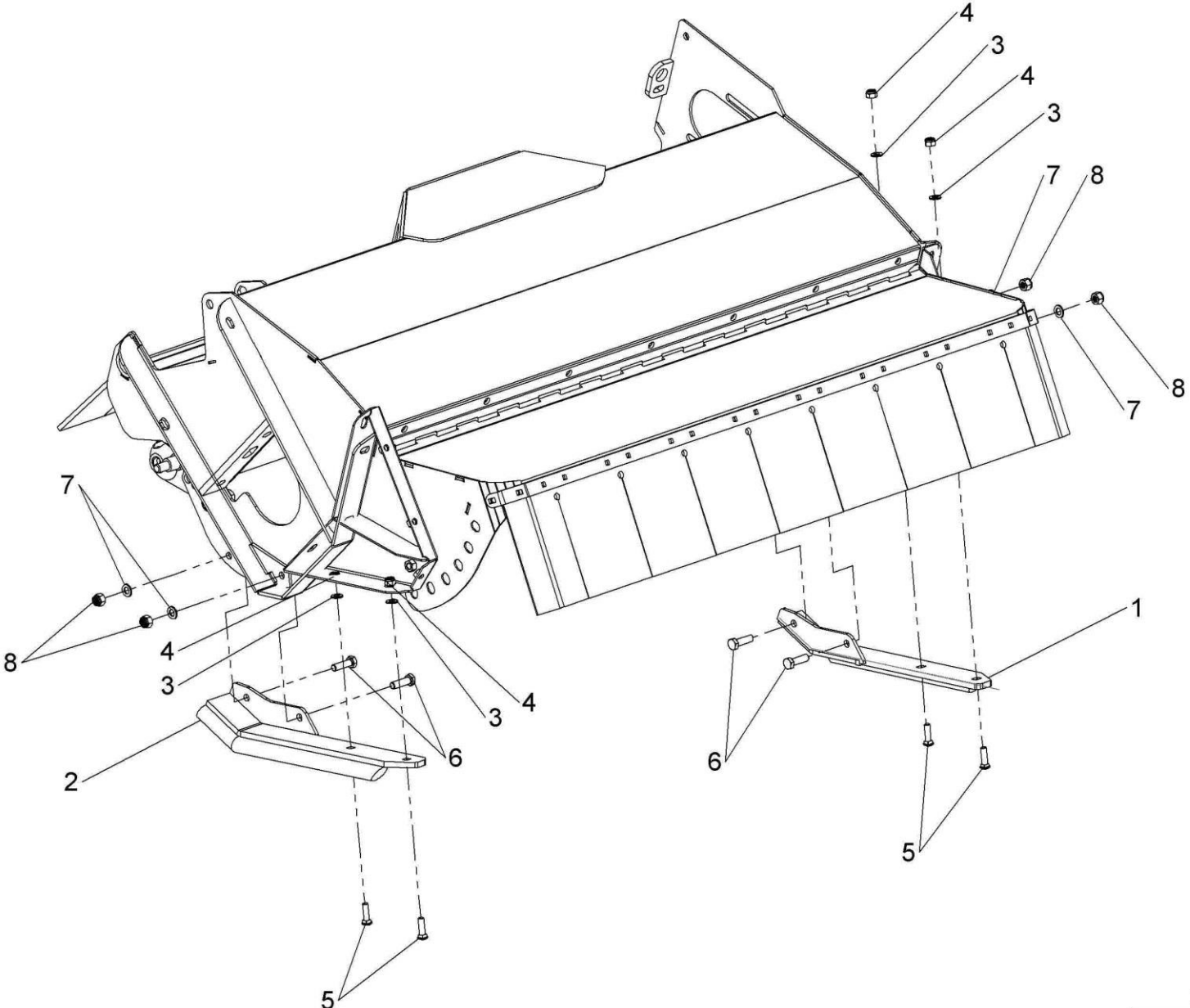
# Shelbourne Reynolds Engineering Limited



## Shelbourne Reynolds Engineering Limited

ASSY NUMBER: KIT-08115		ASSY DESCRIPTION: HEAD SKID WEAR KIT				
ITEM	PART NO	DESCRIPTION	QTY	ITEM	PART NO	DESCRIPTION
1	801533 01	LH SKID W/A	1			
2	801533 02	RH SKID W/A	1			
3	WSH-0015	PLAIN WASHER	4			
4	NUT-0265	NYLOC NUT	4			
5	BLTF10231	COACH BOLT	4			
6	HSS-0250	SETSCREW	4			
7	WSH-0018	PLAIN WASHER	4			
8	NUT-0269	NYLOC NUT	4			

Shelbourne Reynolds Engineering Limited



KIT-08115

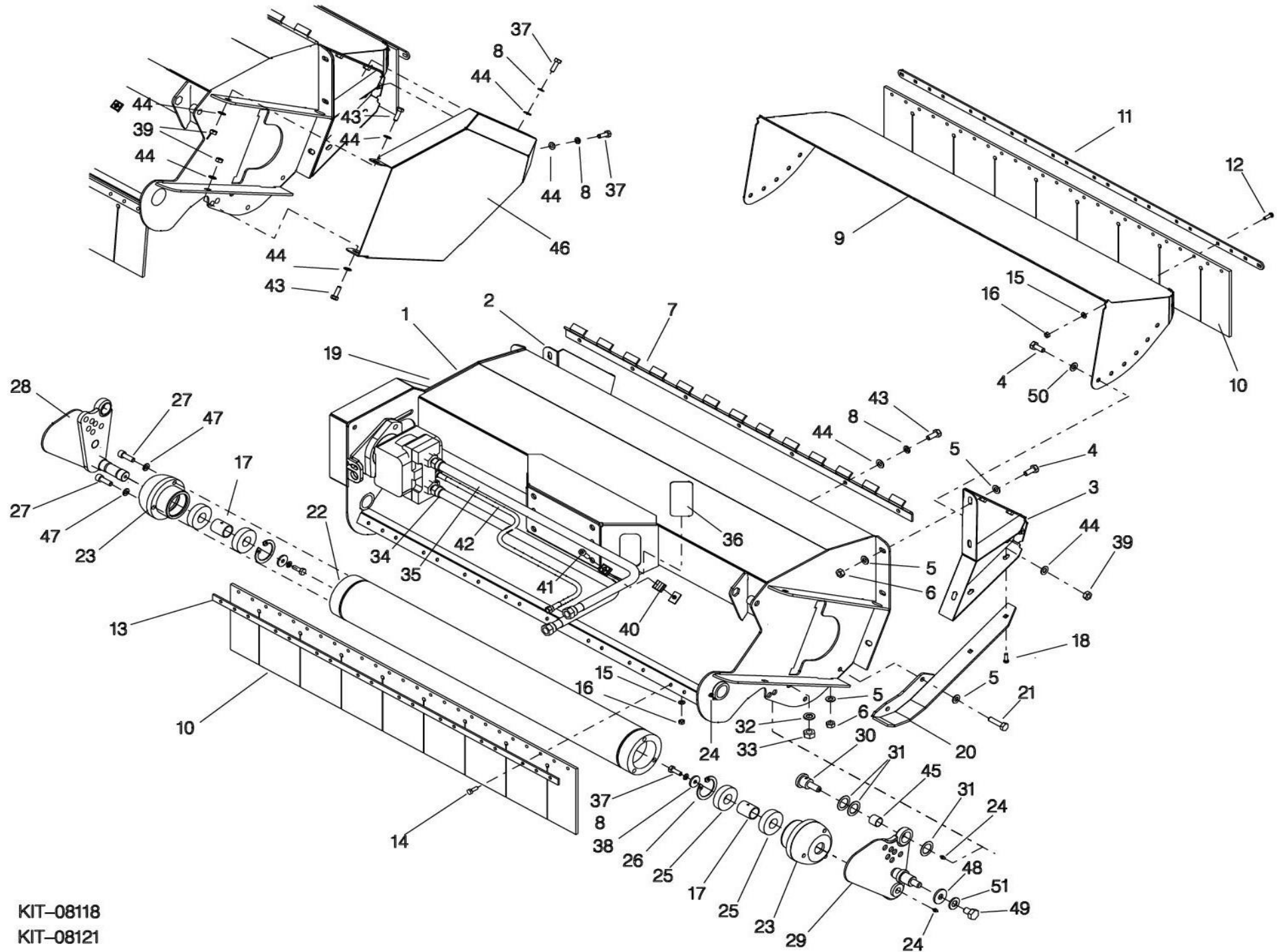


## Shelbourne Reynolds Engineering Limited

ASSY NUMBER: KIT-08118				ASSY DESCRIPTION: HEAD SHELL, NOSE AND ROLLER 1.2m			
ITEM	PART NO	DESCRIPTION	QTY	ITEM	PART NO	DESCRIPTION	QTY
1	801670 01	HEAD SHELL (1.2M) LH DRIVE	1	35	HHDI05505	HOSE (LH DRIVE HEAD)	1
OR	801670 29	HEAD SHELL (1.2M) RH DRIVE	1	OR	HHDI05905	HOSE (RH DRIVE HEAD)	
2	800815 01	NOSE SIDE PANEL (LH DRIVE)	1	OR	HHDH05505	HOSE (MD ONLY)	1
OR	800815 02	NOSE SIDE PANEL (RH DRIVE)	1	36	CAP-0060	PLASTIC CAP	2
3	801212 01	NOSE SIDE PANEL (LH DRIVE)	1	37	HSS-0188	SETSCREW	5
OR	801212 06	NOSE SIDE PANEL (RH DRIVE)	1	38	190548 01	WASHER	2
4	HSS-0235	SETSCREW	8	39	NUT-0265	NYLOC NUT	6
5	WSH-0018	PLAIN WASHER	24	40	HCPD01400	HYD. PIPE CLAMP	1
6	NUT-0269	NYLOC NUT	10	41	SCW-0136	CAP HEAD SCREW	1
7	800812 01	HINGE PLATE (1.2M)	1	42	HHAF17605	HOSE (HD ONLY)	1
8	WSH-0061	SPRING WASHER	12	43	HSS-0194	SETSCREW	9
9	800820 01	NOSE (1.2m)	1	44	WSH-0015	WASHER	18
10	800068 01	CURTAIN (1.2M)	2	45	BSH-3070	BUSH	2
11	800825 01	FIXING STRIP (1.2M)	1	46	801213 01	HEAD SKID COVER (LH DRIVE)	1
12	BLT-2700	COACHBOLT	20	OR	801213 02	HEAD SKID COVER (RH DRIVE)	1
13	800069 01	FIXING STRIP (1.2M)	1	47	WSH-0065	SPRING WASHER	6
14	HSS-0150	SETSCREW	18	48	190119 07	WASHER	2
15	WSH-0012	PLAIN WASHER	38	49	HSS-0312	SETSCREW	2
16	NUT-0263	NYLOC NUT	38	50	190119 89	WASHER	2
17	801950 01	SPACER TUBE	2	51	WSHA30161	WASHER	2
18	BLT-3745	COACHBOLT	4				
19	800881 01	SKID W/A LH	1				
20	800881 02	SKID W/A RH	1				
21	HSS-0250	SETSCREW	4				
22	801971 01	ROLLER (1.2M)	1				
23	801944 01	END CAP	2				
24	NIP-00600	GREASE NIPPLE	6				
25	BRG-13005	BEARING	4				
26	CIR-0720	CIRCLIP	2				
27	SCW-0243	CAP HEAD SCREW	6				
28	801968 02	BRACKET ADJUSTABLE LH	1				
29	801968 01	BRACKET ADJUSTABLE RH	1				
30	801939 01	STUB PIVOT	2				
31	190548 96	WASHER	6				
32	WSHA30201	WASHER	2				
33	NUTA15202	STOVER NUT	2				
34	HHAI05305	HOSE (LH DRIVE HEAD)	1				
OR	HHAI05005	HOSE (RH DRIVE HEAD)					
OR	HHAH05305	HOSE (MD ONLY)	1				



# Shelbourne Reynolds Engineering Limited

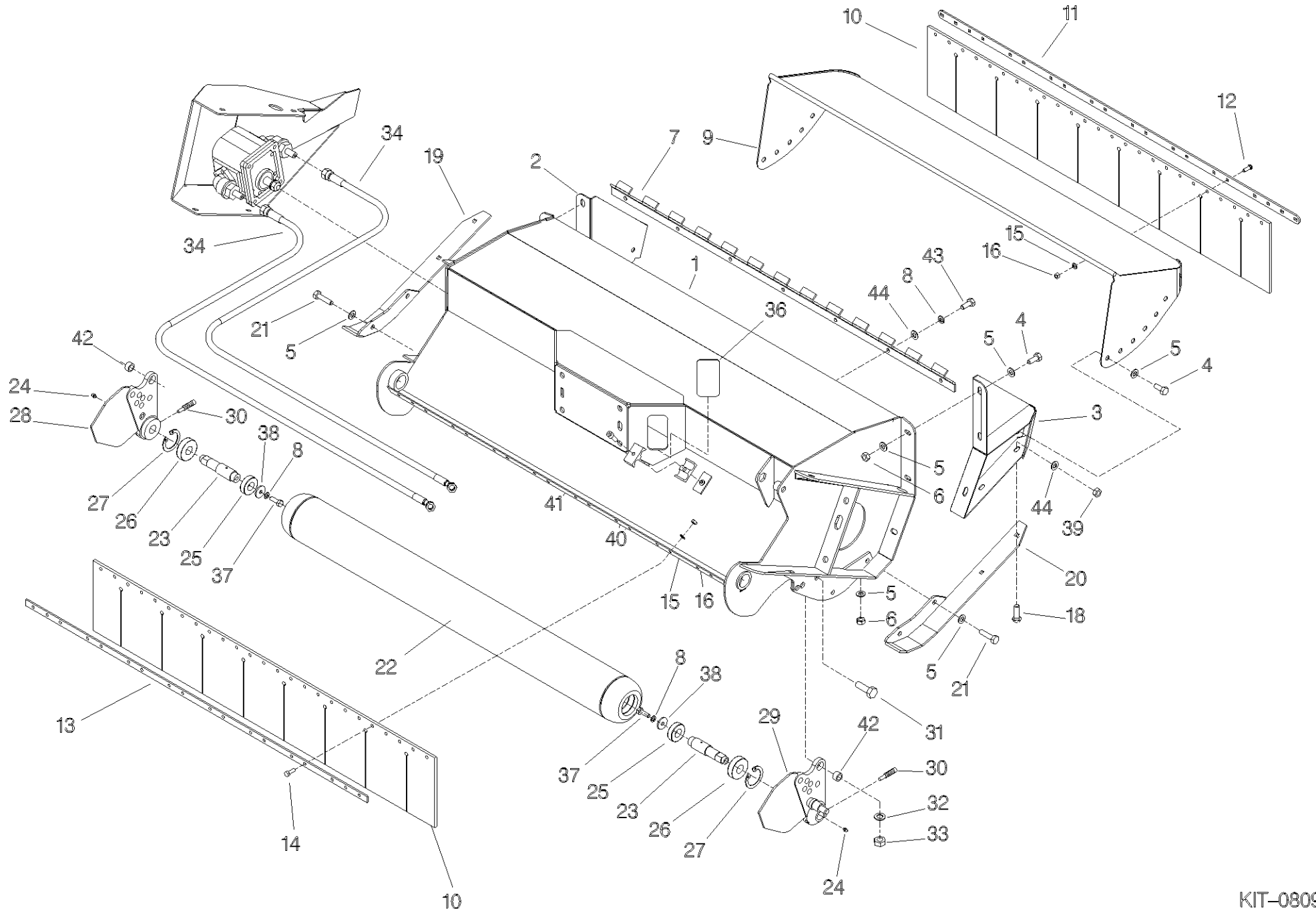


KIT-08118  
KIT-08121

## Shelbourne Reynolds Engineering Limited

ASSY NUMBER: KIT-08119				ASSY DESCRIPTION: DIRECT DRIVE HEAD SHELL, NOSE			
ITEM	PART NO	DESCRIPTION	QTY	ITEM	PART NO	DESCRIPTION	QTY
1	800830 39	LH HEAD SHELL 1.5Mt (D-DRIVE)	1	41	SCW-0136	HT CAP HEAD SCREW	1
2	800815 01	NOSE SIDE PANEL LH	1	42	801436 01	SPACER	2
3	800815 02	NOSE SIDE PANEL RH	1	43	HSS-0194	SET SCREW	7
4	HSS-0235	SET SCREW	8	44	WSH-0015	WASHER	11
5	WSH-0018	WASHER	26				
6	NUT-0269	NUT	12				
7	800812 02	HINGE PLATE 1.5m	1				
8	WSH-0061	WASHER	9				
9	800820 02	NOSE 1.5m	1				
10	800068 02	RUBBER CURTAIN 1.5MT	2				
11	800825 02	CURTAIN STRIP 1.5MT	1				
12	BLTF08173	COACH BOLT	20				
13	800069 02	CURTAIN STRIP 1.5MT	1				
14	HSS-0145	SETSCREW	18				
15	WSH-0012	WASHER	38				
16	NUT-0263	NUT	38				
17							
18	BLT-3745	COACHBOLT	4				
19	800881 01	LH SKID W/A	1				
20	800881 02	RH SKID W/A	1				
21	HSS-0250	SET SCREW	4				
22	800826 02	ROLLER W/ASSY 1.5MT	1				
23	801445 01	STUB SHAFT	2				
24	NIP-00600	GREASE NIPPLE	2				
25	BRG-4125	BEARING	2				
26	BRG-3358	SUPPORT	2				
27	CIR-0620	CIRCLIP INT 62MM	2				
28	801435 02	LH ROLLER BRACKET W/A	1				
29	801435 01	RH ROLLER BRACKET W/A	1				
30	800450 01	COTTER PIN	2				
31	HSS-0318	SET SCREW	4				
32	WSH-0024	WASHER	4				
33	NUT-0271	NUT	4				
34		HYD HOSE	2				
35							
36	CAP-0060	PLASTIC END CAP (60x120)	2				
37	HSS-0188	SET SCREW	2				
38	190119 09	WASHER	2				
39	NUT-0265	NUT	4				
40	HCPD01400	HYD PIPE CLAMP	1				

**Shelbourne Reynolds Engineering Limited**

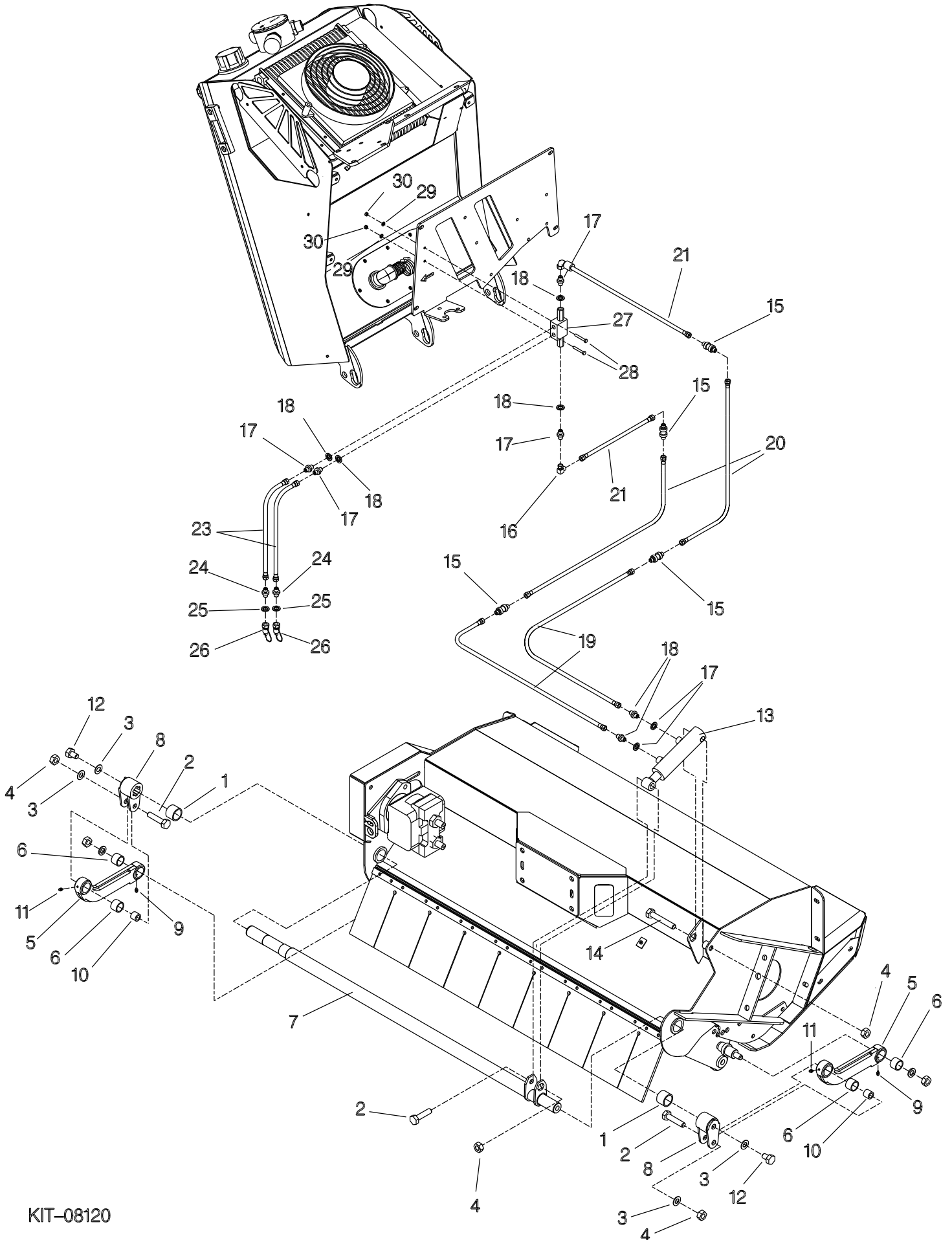


KIT-08092  
KIT-08119

## Shelbourne Reynolds Engineering Limited

ASSY NUMBER:		KIT-08120		ASSY DESCRIPTION:		ADJUSTABLE ROLLER (2010 & ON)	
ITEM	PART NO	DESCRIPTION	QTY	ITEM	PART NO	DESCRIPTION	QTY
1	801973 01	BUSH	2	OR	HHCC35605	HOSE HD67VFR INNER	2
2	800458 02	BOLT	3				
3	WSHA30161	WASHER	4	22			
4	NUTA15162	STOVERNUT	4	23	HHAC10005	HOSE	2
5	801935 01	LINK ARM	2	OR	HHCC15005	HOSE MD/5xx ONLY	2
6	BSH-3030	BUSH	4	24	HMA-0055	ADAPTOR	2
7	801972 01	SHAFT (1.2m LH DRIVE HEAD)	1	25	WSH-1015	BONDED SEAL	2
OR	801926 01	SHAFT (1.2m RH DRIVE HEAD)	1	26	COU-0162	QUICK REL COUP.	2
OR	801972 02	SHAFT (1.5m LH DRIVE HEAD)	1	27	HVB-27000	VALVE DOUBLE PO CHECK	1
OR	801926 02	SHAFT (1.5m RH DRIVE HEAD)	1	28	SCW-0098	SETSCREW	2
8	801930 01	ARM	2	29	WSH-0009	PLAIN WASHER	4
9	NIP-00600	GREASE NIPPLE	2	30	NUT-0260	NYLOC NUT	2
10	801940 01	WEAR BUSH	2				
11	NIP-00610	GREASE NIPPLE	2				
12	HSS-0312	SETSCREW	2				
13	800875 01	CYLINDER	1				
13A	RMSK00360	SEAL KIT (SPARES) CHANGED 2008 RAM S/N 129676 & ON	-				
OR	RMSK00230	SEAL KIT (SPARES) CHANGED 2008 UPTO RAM S/N 129676	-				
14	BLT-2320	BOLT	1				
15	HBK-0010	BULKHEAD	4				
16	HALAA0303	ELBOW FITTING	1				
17	HMA-0052	ADAPTOR	6				
18	WSH-1005	BONDED SEAL	6				
19	HHAC20005	HOSE 1.2m HEAD	2				
OR	HHAC21505	HOSE 1.5m HEAD	2				
20	HHDC31505	HOSE HD60T & HD62VFR	2				
OR	HHDC37805	HOSE HD70T OUTER	2				
OR	HHDC20505	HOSE MD50 OUTER	2				
OR	HHDC24005	HOSE MD56 OUTER	2				
OR	HHDC34505	HOSE HD67VFR OUTER	2				
21	HHCC29005	HOSE MD50 & HD60T INNER	2				
OR	HHCC32705	HOSE MD56, HD70T & HD62VFR INNER	2				

# Shelbourne Reynolds Engineering Limited

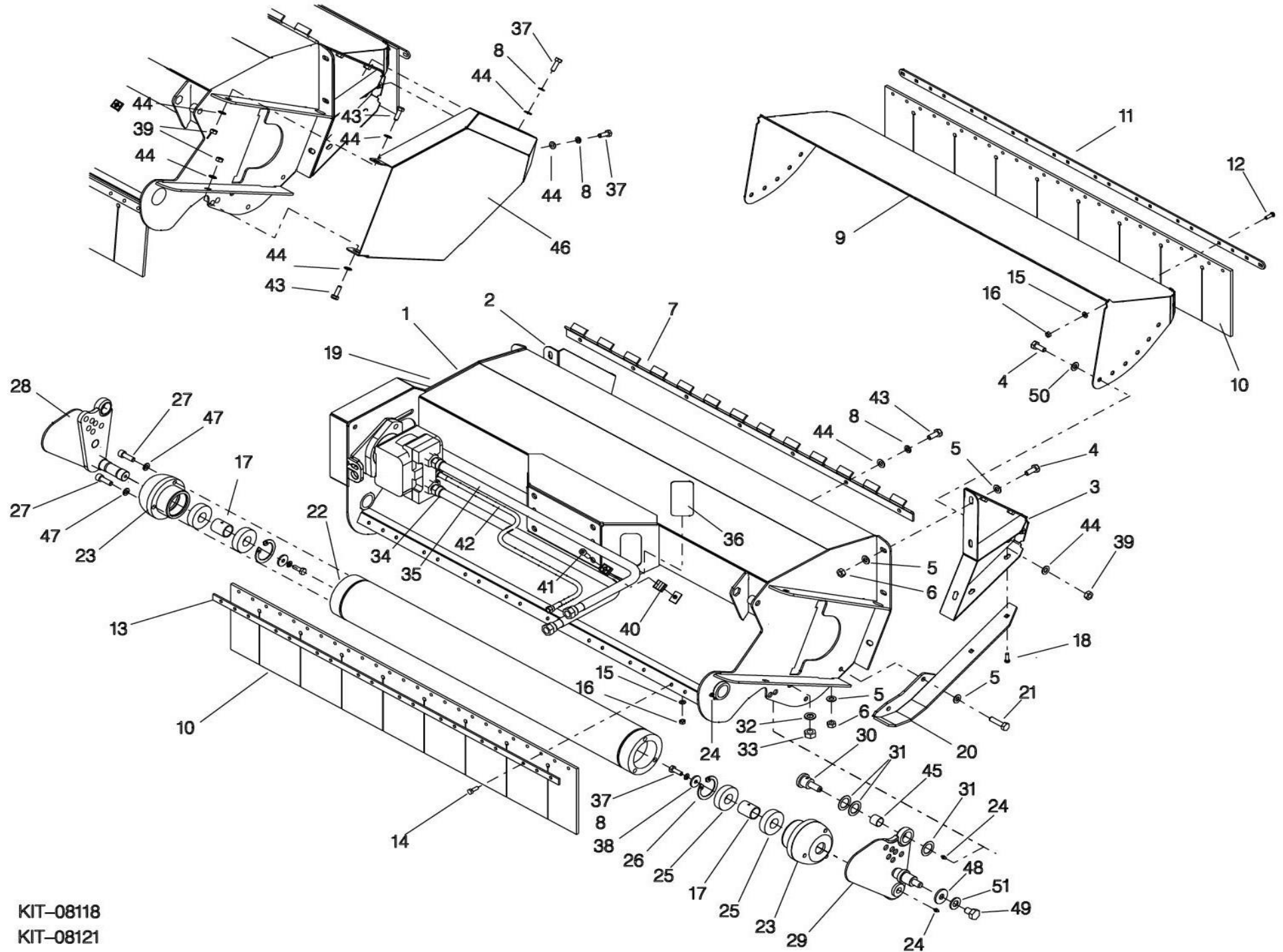


KIT-08120

## Shelbourne Reynolds Engineering Limited

ASSY NUMBER: KIT-08121				ASSY DESCRIPTION: HEAD SHELL, NOSE AND ROLLER 1.5m			
ITEM	PART NO	DESCRIPTION	QTY	ITEM	PART NO	DESCRIPTION	QTY
1	801670 02	HEAD SHELL (1.5M) LH DRIVE	1	35	HHDI07505	HOSE (LH DRIVE HEAD)	1
OR	801670 30	HEAD SHELL (1.5M) RH DRIVE	1	OR	HHAI07905	HOSE (RH DRIVE HEAD)	
2	800815 01	NOSE SIDE PANEL (LH DRIVE)	1	OR	HHDH07505	HOSE (MD ONLY)	1
OR	800815 02	NOSE SIDE PANEL (RH DRIVE)	1	36	CAP-0060	PLASTIC CAP	2
3	801212 01	NOSE SIDE PANEL (LH DRIVE)	1	37	HSS-0188	SETSCREW	5
OR	801212 06	NOSE SIDE PANEL (RH DRIVE)	1	38	190548 01	WASHER	2
4	HSS-0235	SETSCREW	8	39	NUT-0265	NYLOC NUT	6
5	WSH-0018	PLAIN WASHER	24	40	HCPD01400	HYD. PIPE CLAMP	1
6	NUT-0269	NYLOC NUT	10	41	SCW-0136	CAP HEAD SCREW	1
7	800812 02	HINGE PLATE (1.5M)	1	42	HHAF17605	HOSE (HD ONLY)	1
8	WSH-0061	SPRING WASHER	12	43	HSS-0194	SETSCREW	9
9	800820 02	NOSE (1.5m)	1	44	WSH-0015	WASHER	18
10	800068 02	CURTAIN (1.5M)	2	45	BSH-3070	BUSH	2
11	800825 02	FIXING STRIP (1.5M)	1	46	801213 01	HEAD SKID COVER (LH DRIVE)	1
12	BLT-2700	COACHBOLT	20	OR	801213 02	HEAD SKID COVER (RH DRIVE)	1
13	800069 01	FIXING STRIP (1.2M)	1	47	WSH-0065	SPRING WASHER	6
14	HSS-0150	SETSCREW	18	48	190119 07	WASHER	2
15	WSH-0012	PLAIN WASHER	38	49	HSS-0312	SETSCREW	2
16	NUT-0263	NYLOC NUT	38	50	190119 89	WASHER	2
17	801950 01	SPACER TUBE	2				2
18	BLT-3745	COACHBOLT	4				
19	800881 01	SKID W/A LH	1				
20	800881 02	SKID W/A RH	1				
21	HSS-0250	SETSCREW	4				
22	801976 01	ROLLER (1.5M)	1				
23	801944 01	END CAP	2				
24	NIP-00600	GREASE NIPPLE	6				
25	BRG-13005	BEARING	4				
26	CIR-0720	CIRCLIP	2				
27	SCW-0243	CAP HEAD SCREW	6				
28	801968 02	BRACKET ADJUSTABLE LH	1				
29	801968 01	BRACKET ADJUSTABLE RH	1				
30	801939 01	STUB PIVOT	2				
31	190548 96	WASHER	6				
32	WSHA30201	WASHER	2				
33	NUTA15202	STOVER NUT	2				
34	HHAI06605	HOSE (LH DRIVE HEAD)	1				
OR	HHAI06005	HOSE (RH DRIVE HEAD)					
OR	HHAH06605	HOSE (MD ONLY)	1				

# Shelbourne Reynolds Engineering Limited



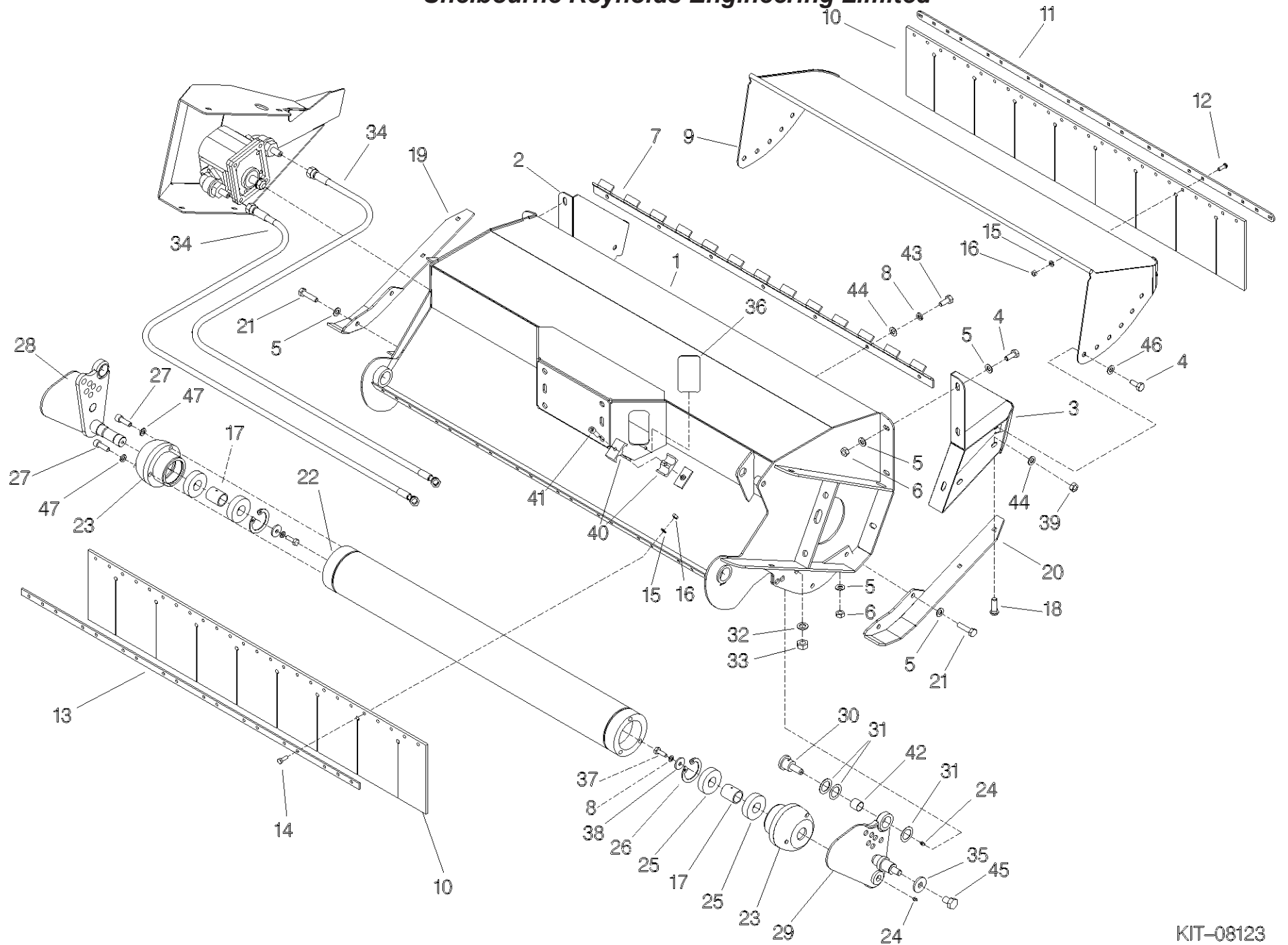
KIT-08118  
KIT-08121

## Shelbourne Reynolds Engineering Limited

ASSY NUMBER: KIT-08122				ASSY DESCRIPTION: DIRECT DRIVE HEAD SHELL, NOSE			
ITEM	PART NO	DESCRIPTION	QTY	ITEM	PART NO	DESCRIPTION	QTY
1	800830 29	HEAD SHELL 1.5m	1	43	HSS-0194	SET SCREW	7
2	800815 01	NOSE SIDE PANEL LH	1	44	WSH-0015	WASHER	11
3	800815 02	NOSE SIDE PANEL RH	1	45	HSS-0312	SETSCREW M16 X 25	2
4	HSS-0235	SET SCREW	8	46	190119 89	WASHER	2
5	WSH-0018	WASHER	24				
6	NUT-0269	NUT	12				
7	800812 01	HINGE PLATE 1.2m	1				
8	WSH-0061	WASHER	9				
9	800820 01	NOSE 1.2m	1				
10	800068 01	RUBBER CURTAIN 1.2MT	2				
11	800825 01	CURTAIN STRIP 1.2MT	1				
12	BLTF08173	COACH BOLT	20				
13	800069 01	CURTAIN STRIP 1.2MT	1				
14	HSS-0145	SETSCREW	18				
15	WSH-0012	WASHER	38				
16	NUT-0263	NUT	38				
17	801950 01	SPACER TUBE	2				
18	BLT-3745	COACHBOLT	4				
19	800881 01	LH SKID W/A	1				
20	800881 02	RH SKID W/A	1				
21	HSS-0250	SET SCREW	4				
22	801971 01	ROLLER (5inch) 1.2Mt	1				
23	801944 01	END CAP	2				
24	NIP-00600	GREASE NIPPLE	6				
25	BRG-13005	DEEP GROOVE BALL BEARING	4				
26	CIR-0720	CIRCLIP	2				
27	SCW-1950	CSK SOCKET HD SCW	6				
28	801968 02	BRACKET ADJUSTABLE LH	1				
29	801968 01	BRACKET ADJUSTABLE RH	1				
30	801939 01	STUB PIVOT	2				
31	190548 96	WASHER	6				
32	WSHA30201	WASHER	2				
33	NUTA15202	STOVER NUT	2				
35	190119 07	WASHER	2				
36	CAP-0060	PLASTIC END CAP (60x120)	2				
37	HSS-0188	SET SCREW	2				
38	190548 01	RETAINING WASHER	2				
39	NUT-0265	NUT	4				
41	SCW-0136	HT CAP HEAD SCREW	1				
42	BSH-3070	BUSH PLAIN	2				



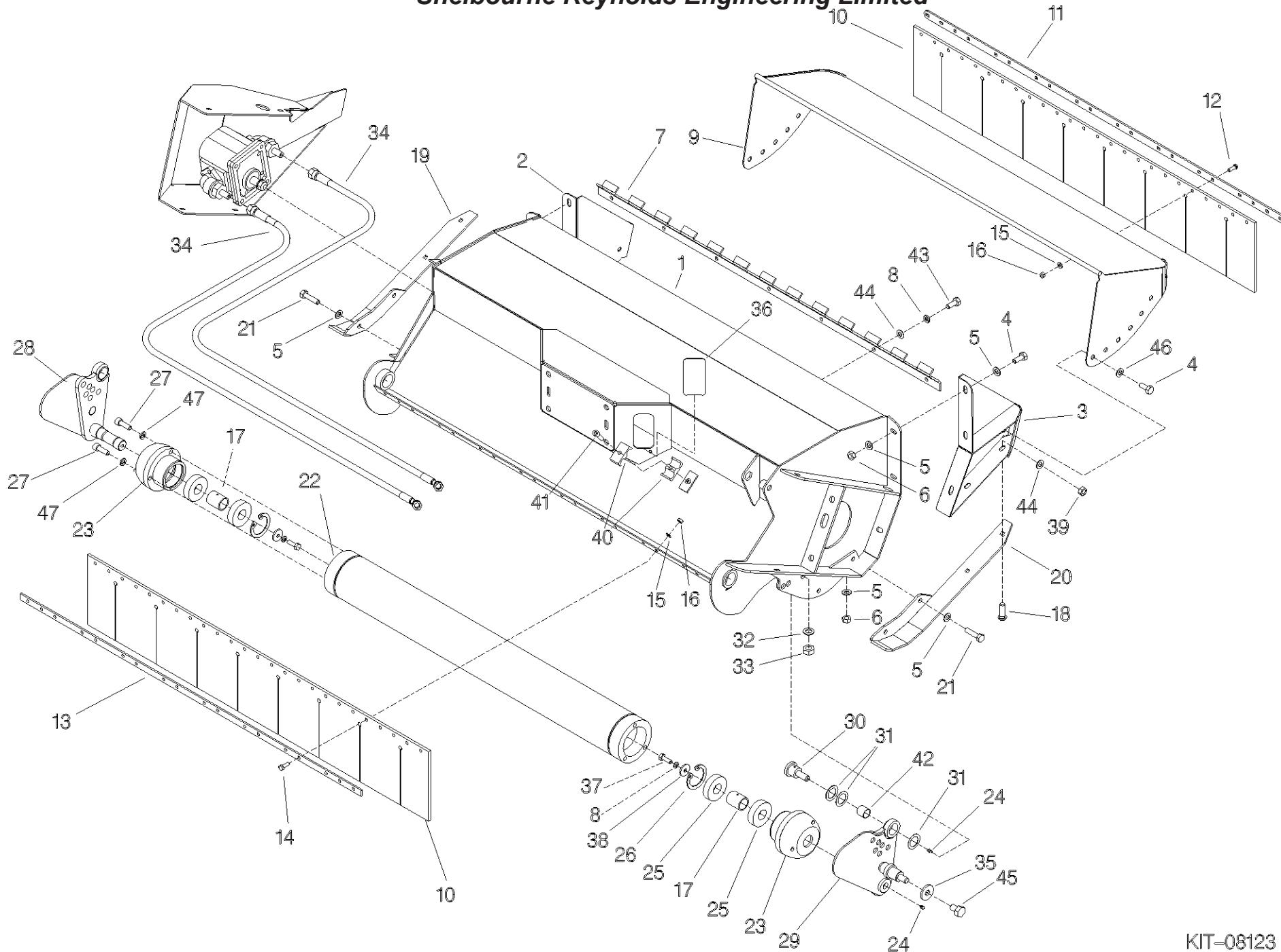
Shelbourne Reynolds Engineering Limited



## Shelbourne Reynolds Engineering Limited

ASSY NUMBER: KIT-08123				ASSY DESCRIPTION: DIRECT DRIVE HEAD SHELL, NOSE			
ITEM	PART NO	DESCRIPTION	QTY	ITEM	PART NO	DESCRIPTION	QTY
1	800830 39	LH HEAD SHELL 1.5Mt (D-DRIVE)	1	41	SCW-0136	HT CAP HEAD SCREW	1
2	800815 01	NOSE SIDE PANEL LH	1	42	BSH-3070	BUSH PLAIN	2
3	800815 02	NOSE SIDE PANEL RH	1	43	HSS-0194	SET SCREW	7
4	HSS-0235	SET SCREW	8	44	WSH-0015	WASHER	11
5	WSH-0018	WASHER	24	45	HSS-0312	SETSCREW M16 X 25	2
6	NUT-0269	NUT	12	46	190119 89	WASHER	2
7	800812 02	HINGE PLATE 1.5m	1				
8	WSH-0061	WASHER	9				
9	800820 02	NOSE 1.5m	1				
10	800068 02	RUBBER CURTAIN 1.5MT	2				
11	800825 02	CURTAIN STRIP 1.5MT	1				
12	BLTF08173	COACH BOLT	24				
13	800069 02	CURTAIN STRIP 1.5MT	1				
14	HSS-0145	SETSCREW	22				
15	WSH-0012	WASHER	46				
16	NUT-0263	NUT	46				
17	801950 01	SPACER TUBE	2				
18	BLT-3745	COACHBOLT	4				
19	800881 01	LH SKID W/A	1				
20	800881 02	RH SKID W/A	1				
21	HSS-0250	SET SCREW	4				
22	801976 01	ROLLER 1.5Mt	1				
23	801944 01	END CAP	2				
24	NIP-00600	GREASE NIPPLE	6				
25	BRG-13005	DEEP GROOVE BALL BEARING	4				
26	CIR-0720	CIRCLIP	2				
27	SCW-1950	CSK SOCKET HD SCW	6				
28	801968 02	BRACKET ADJUSTABLE LH	1				
29	801968 01	BRACKET ADJUSTABLE RH	1				
30	801939 01	STUB PIVOT	2				
31	190548 96	WASHER	6				
32	WSHA30201	WASHER	2				
33	NUTA15202	STOVER NUT	2				
34		HYD HOSE	2				
35	190119 07	WASHER	2				
36	CAP-0060	PLASTIC END CAP (60x120)	2				
37	HSS-0188	SET SCREW	2				
38	190548 01	RETAINING WASHER	2				
39	NUT-0265	NUT	4				
40	HCPD01400	HYD PIPE CLAMP	1				

**Shelbourne Reynolds Engineering Limited**

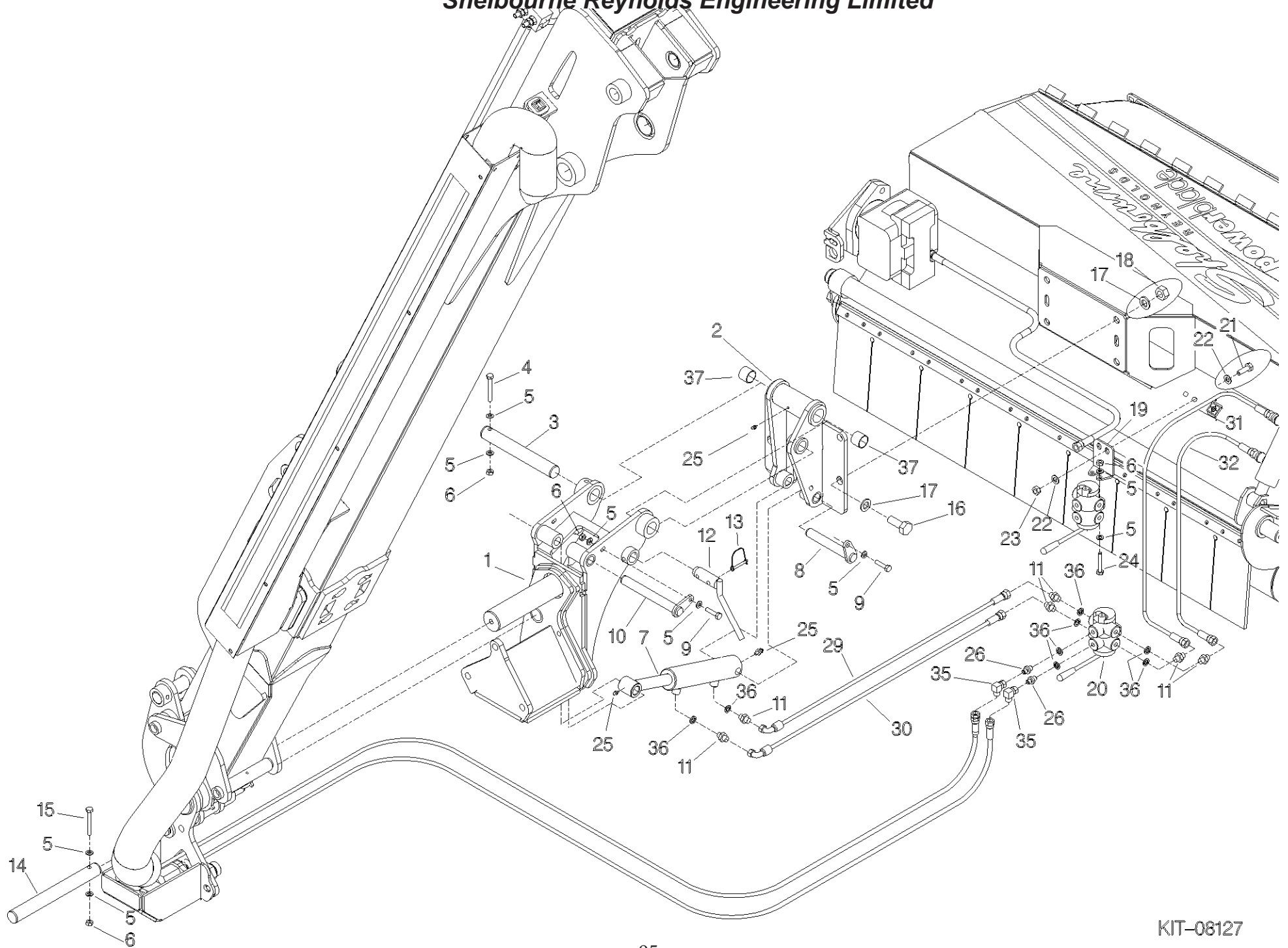


KIT-08123  
KIT-08122

## Shelbourne Reynolds Engineering Limited

ASSY NUMBER: KIT-08127				ASSY DESCRIPTION: NARROW LANE BRACKET WITH HYD ROLLER			
ITEM	PART NO	DESCRIPTION	QTY	ITEM	PART NO	DESCRIPTION	QTY
1	801343 01	BOOM MTG BRACKET W/A	1				
2	801336 01	HEAD MOUNT W/A	1				
3	800101 19	PIN - BB RAM ROD	1				
4	BLTA08410	HEX.HEAD BOLT	1				
5	WSH-0012	WASHER	12				
6	NUT-0263	NUT	6				
7	RAM-0002	DOUBLE ACTING RAM	1				
8	801346 02	NARROW LANE PIN (140)	1				
9	HSS-0152	SET SCREW	2				
10	801346 01	NARROW LANE PIN (179)	1				
11	FIT-0025	HYD FITTING	6				
12	801319 01	MD LOCKING PIN	1				
13	PIN-1720	SPRING PIN 'D' CLIP	1				
14	800101 17	PIN INNER SLEW ROD	1				
15	BLTA08380	HEX.HEAD BOLT	1				
16	BLTA16322	HEX. HEAD BOLT	4				
17	WSH-0024	WASHER	8				
18	NUT-0271	NUT	4				
19	801347 01	VALVE BRACKET	1				
20	HVB-01540	6 WAY FLOW DIVERTER VALVE -	1				
21	HSS-0191	SETSCREW	2				
22	WSH-0015	WASHER	4				
23	NUT-0265	NUT	2				
24	HSS-0155	SET SCREW	2				
25	NIP-00600	GREASE NIPPLE	3				
26	190859 01	HYD ADAPTOR	2				
27							
28							
29	HHBC03605	HYD HOSE	1				
30	HHBC04605	HYD HOSE	1				
31	HHAC01905	HYD HOSE	1				
32	HHAC01505	HYD HOSE	1				
33							
34							
35	HALAA0303	HYD FITTING	2				
36	WSH-1010	DOWTY WASHER	8				
37	BSH-3030	BUSH PLAIN	2				

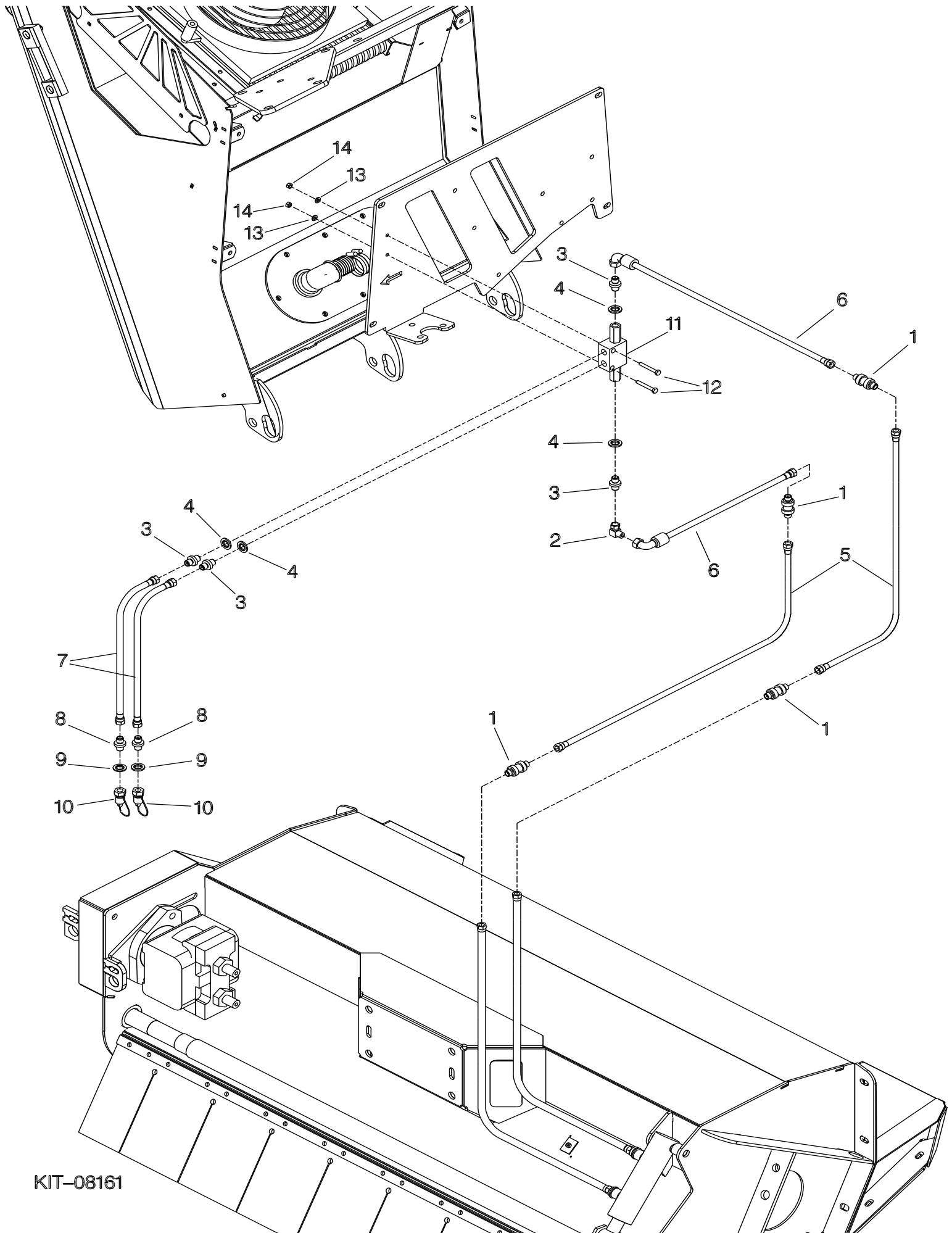
Shelbourne Reynolds Engineering Limited



## Shelbourne Reynolds Engineering Limited

ASSY NUMBER: KIT-08161				ASSY DESCRIPTION: HYDRAULICS FOR ADJUSTABLE ROLLER			
ITEM	PART NO	DESCRIPTION	QTY	ITEM	PART NO	DESCRIPTION	QTY
1	HBK-0010	BULKHEAD	4				
2	HALAA0303	ELBOW FITTING	1				
3	HMA-0052	ADAPTOR	4				
4	WSH-1005	BONDED SEAL	4		KIT-08161A	FOR HD60T	
5	HHDC31505	HOSE HD60T & HD62VFR	2		KIT-08161B	FOR HD70T	
OR	HHDC37805	HOSE HD70T OUTER	2		KIT-08161C	FOT HD55 & HD62VFR	
OR	HHDC22005	HOSE 656 OUTER	2		KIT-08161D	FOR HD67VFR	
OR	HHDC34505	HOSE HD67VFR OUTER	2		KIT-08161E	FOR HD780T	
OR	HHDC46405	HOSE HD780T OUTER	2		KIT-08161F	FOR 656	
6	HHCC29005	HOSE HD60T INNER	2		KIT-08161G	FOR 660T	
OR	HHCC32705	HOSE HD70T/62VFR IN	2				
OR	HHCC35605	HOSE HD67VFR INNER	2				
OR	HHCC34105	HOSE 656	1				
OR	HHCC35305	HOSE 656 INNER	1				
OR	HHCC30205	HOSE INNER 660T	1				
OR	HHCC31705	HOSE INNER 660T	1				
7	HHAC12905	HOSE	2				
8	HMA-0055	ADAPTOR	2				
9	WSH-1015	BONDED DEAL	2				
10	COU-0162	QUICK REL COUP	2				
11	HVB-27000	VALVE DOUBLE PO CHECK	1				
12	SCW-0098	SETSCREW	2				
13	WSH-0009	PLAIN WASHER	4				
14	NUT-0260	NYLOC NUT	2				

**Shelbourne Reynolds Engineering Limited**

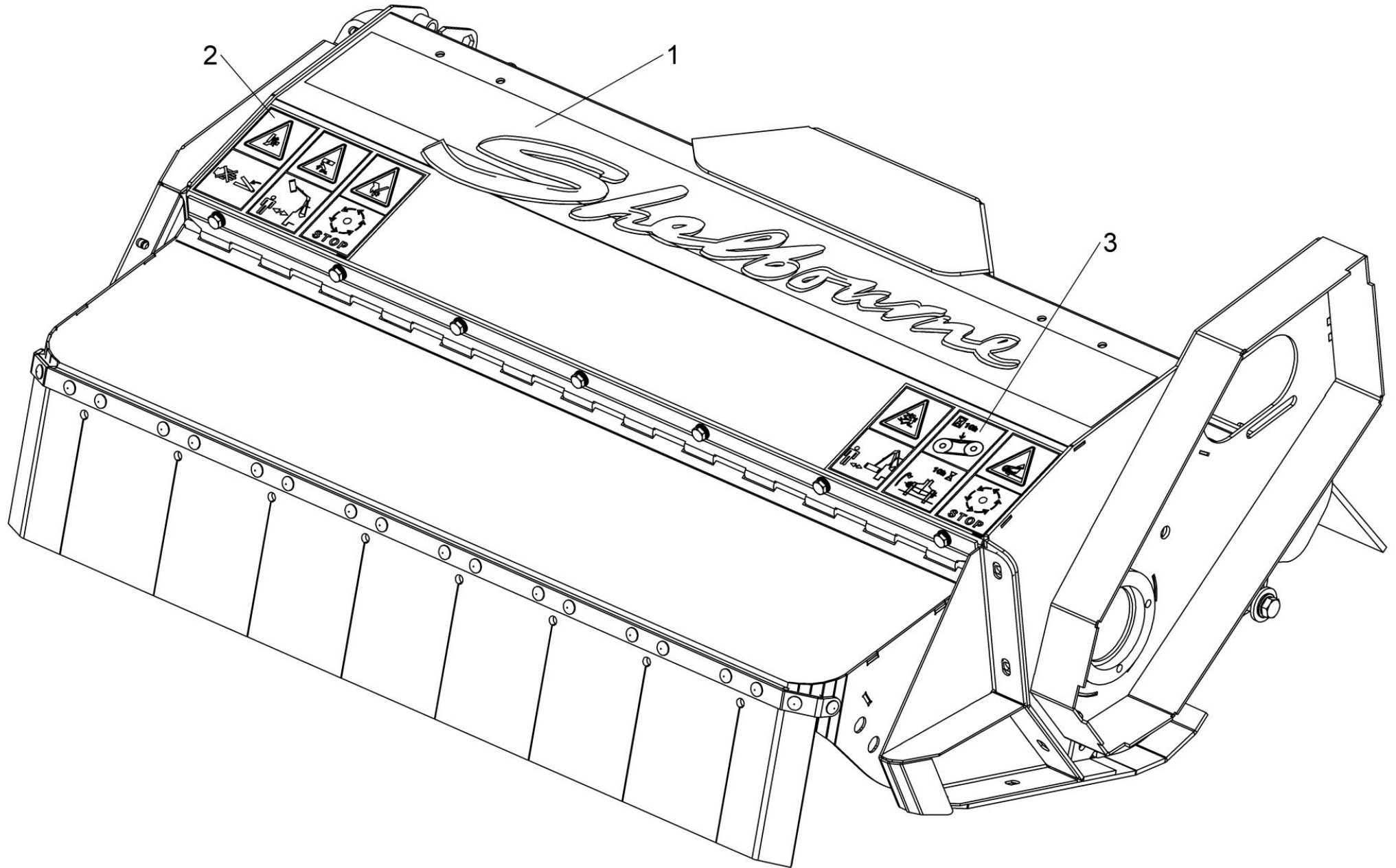


KIT-08161

## Shelbourne Reynolds Engineering Limited

ASSY NUMBER: KIT-08165				ASSY DESCRIPTION: HEAD TRANSFER KIT			
ITEM	PART NO	DESCRIPTION	QTY	ITEM	PART NO	DESCRIPTION	QTY
1	260228 01	TRANSFER - SHELBOURNE (BLUE)	1				
OR	198764 01	TRANSFER - SHELBOURNE (GREY)	-				
2	805600 01	MULTI-TRANSFER 2019 & ON	1				
OR	800215 01	TRANSFER (CRUSH DANG) UPTO 2019	1				
OR	800217 01	TRANSFER (SAFE DIST) UPTO 2019	1				
OR	800222 01	TRANSFER (STOP) UPTO 2019	1				
3	805601 01	MULTI-TRANSFER 2019 & ON	1				
OR	800214 01	TRANSFER (FLY OBJ) UPTO 2019	1				
OR	800213 01	TRANSFER (BELT/BOLTS) UPTO 2019	1				
OR	800218 01	TRANSFER (STOP) UPTO 2019	1				
					KIT-08165	HEAD TRANSFER KIT - BLUE	
					KIT-08165G	HEAD TRANSFER KIT - GREY	





KIT-08165



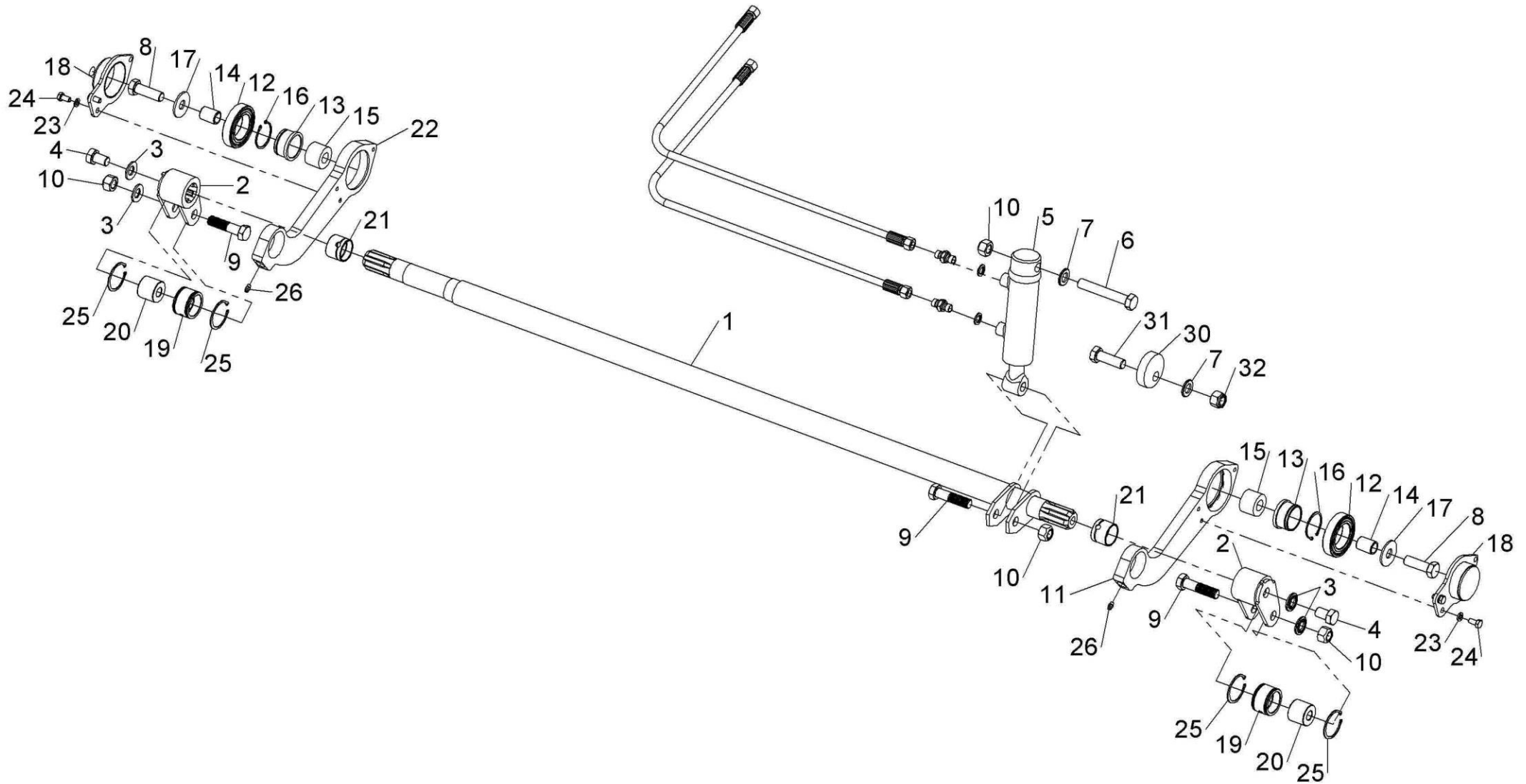
## Shelbourne Reynolds Engineering Limited

ASSY NUMBER: KIT-08176				ASSY DESCRIPTION: HYD ADJUSTABLE ROLLER (BEARING TYPE) 2013 & ON			
ITEM	PART NO	DESCRIPTION	QTY	ITEM	PART NO	DESCRIPTION	QTY
1	802684 01(B)	SHAFT 1.2Mt (LH DRIVE HEAD)	1				
OR	803058 01(B)	SHAFT 1.2Mt (RH DRIVE HEAD)	1		KIT-08176A	FOR 1.2MT LH DRIVE HEAD	
OR	802684 02(B)	SHAFT 1.5Mt (LH DRIVE HEAD)	1		KIT-08176B	FOR 1.2MT RH DRIVE HEAD	
OR	803058 02(B)	SHAFT 1.5Mt (RH DRIVE HEAD)	1		KIT-08176C	FOR 1.5MT LH DRIVE HEAD	
2	801930 01	ARM	2		KIT-08176D	FOR 1.5MT RH DRIVE HEAD	
3	WSHA30161	WASHER	4				
4	HSS-0312	SET SCREW	2				
5	800875 01	CYLINDER	1		KIT-08176AB	FOR 1.2MT LH DRIVE HEAD	
5A	RMSK00360	SEAL KIT	-		KIT-08176BB	FOR 1.2MT RH DRIVE HEAD	
6	BLT-2320	BOLT	1		KIT-08176CB	FOR 1.5MT LH DRIVE HEAD	
7	WSH-0024	WASHER	3		KIT-08176DB	FOR 1.5MT RH DRIVE HEAD	
8	HSS-0930	SET SCREW	2				
9	BLT-2313	BOLT	3				
10	NUTA15162	STOVER NUT	4				
11	802880 01(B)	LINK PLATE RIGHT HAND	1				
12	BRG-14590	DEEP GROOVE BALL BEARING (SING	2				
13	802677 01	BEARING MOUNT	2				
14	802678 01	SPACER	2				
15	805747 01	WEAR BUSH	2				
16	CIR-0450	EXTERNAL CIRCLIP 45mm	2				
17	198800 54	WASHER	2				
18	804614 01	RETAINING W/A	2				
19	802681 01	BUSH	2				
20	802682 01	BUSH	2				
21	802683 01	TORSION BUSH	2				
22	802881 01(B)	LINK PLATE LEFT HAND	1				
23	WSH-0058	SPRING WASHER	6				
24	HSS-0135	SETSCREW	6				
25	CIR020047	CIRCLIP (EXTERNAL) FOR 47mm DI	4				
26	NIP-00600	GREASE NIP(C'BORE TYP)	2				
OR	NIP-0001	GREASE NIP(TUBE TYP)	2				
27							
28							
29							
30	803204 01(B)	CAM PLATE	2				
31	HSS-0318	SET SCREW	2				
32	NUT-0271	NUT	2				

**PART No B FOR BLUE MACHINES**

**REFER TO KIT-08247 & KIT-08248  
FOR HYDRAULICS**

Shelbourne Reynolds Engineering Limited



KIT-08176



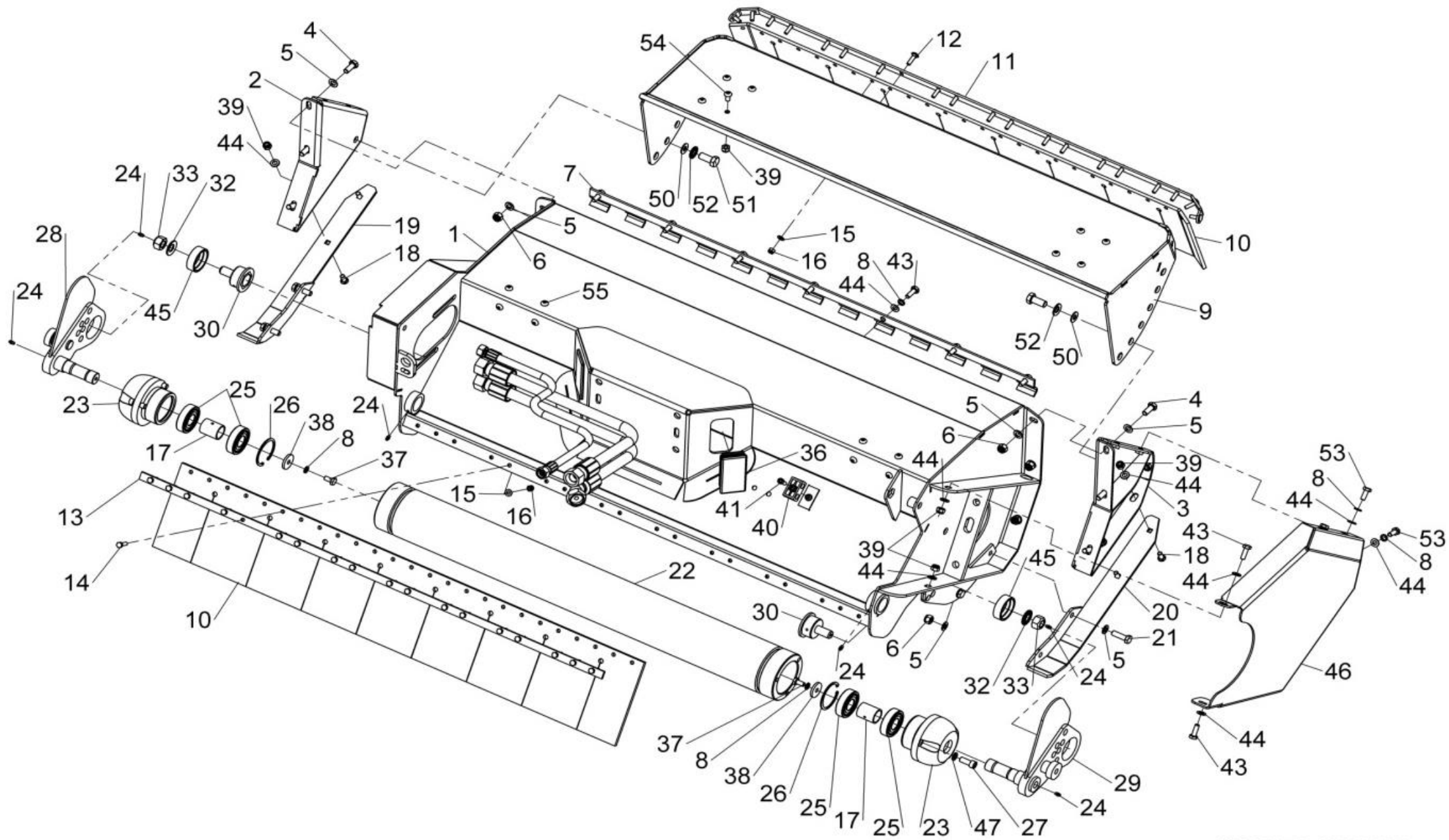
ASSY NUMBER: KIT-08177

ASSY DESCRIPTION: HEAD SHELL, NOSE AND ROLLER 1.2m (2013 & ON)

ITEM	PART NO	DESCRIPTION	QTY	ITEM	PART NO	DESCRIPTION	QTY
1	801670 01	HEAD SHELL (1.2M)LH DRIVE	1	30	802669 01	STUB PIVOT	2
OR	801670 29	HEAD SHELL (1.2M)RH DRIVE	1	31			
2	801689 01	NOSE SIDE PBXXX150404 & ON	1	32	WSHA30201	WASHER	2
OR	800815 01	NOSE SIDE(LH DRIVE)UPTO PBXXX150404	1	33	NUTA15202	STOVER NUT	2
OR	800815 02	NOSE SIDE(RH DRIVE)UPTO PBXXX150404	1	34			
3	801689 02	NOSE SIDE PANEL PBXXX150404 & ON	1	35			
OR	801212 01	NOSE SIDE(LH DRIVE)UPTO PBXXX150404	1	36	CAP-0060	PLASTIC CAP	2
OR	801212 06	NOSE SIDE(RH DRIVE)UPTO PBXXX150404	1	37	HSS-0188	SETSCREW	2
4	HSS-0238	SETSCREW	6	38	190548 01	WASHER	2
5	WSH-0018	PLAIN WASHER	24	39	NUT-0265	NYLOC NUT	16
6	NUT-0269	NYLOC NUT	10	40			
7	803713 01	HINGE PLATE (1.2M)	1	41	SCW-0136	CAP HEAD SCREW	1
8	WSH-0061	SPRING WASHER	12	42			
9	803781 01	NOSE (1.2m) PBXXX160631 & ON	1	43	HSS-0194	SETSCREW	9
OR	801903 01	NOSE (1.2m) PBXXX150404 TO 160631	1	44	WSH-0015	WASHER	18
OR	800820 01	NOSE (1.2m) UPTO PBXXX150404	1	45	802667 01	BUSH	2
10	800068 01	CURTAIN (1.2M)	2	46	801213 01	HEAD SKID COVER(LH DRIVE)	1
11	800825 01	FIXING STRIP (1.2M)	1	OR	801213 02	HEAD SKID COVER(RH DRIVE)	1
12	BLT-2700	COACHBOLT	20	47	WSH-0065	SPRING WASHER	6
13	800069 01	FIXING STRIP (1.2M)	1	48			
14	HSS-0150	SETSCREW	18	49			
15	WSH-0012	PLAIN WASHER	38	50			
16	NUT-0263	NYLOC NUT	38	51	HSS-0315	SETSCREW	2
17	801950 01	SPACER TUBE	2	52	WSHA30161	WASHER PBXXX150404 & ON	2
18	BLT-3745	COACHBOLT	4	OR	WSHA30121	WASHER UPTO PBXXX150404	2
19	800881 01	SKID W/A LH	1	53	HSS-0191	SETSCREW	3
20	800881 02	SKID W/A RH	1	54	SCW-0514	CAP HEAD SCREW	8
21	HSS-0250	SETSCREW	4	55	SCBA10114	CAP HEAD SCREW	11
22	801971 01	ROLLER (1.2M)	1				
23	801944 01	END CAP	2				
24	NIP-00600	GREASE NIPPLE	6				
25	BRG-13005	BEARING	4				
26	CIR-0720	CIRCLIP	2				
27	SCW-0243	CAP HEAD SCREW	6				
28	802664 02	BRACKET ADJUSTABLE LH	1				
29	802664 01	BRACKET ADJUSTABLE RH	1				

**REFER TO KIT-08247 FOR HYDRAULICS**



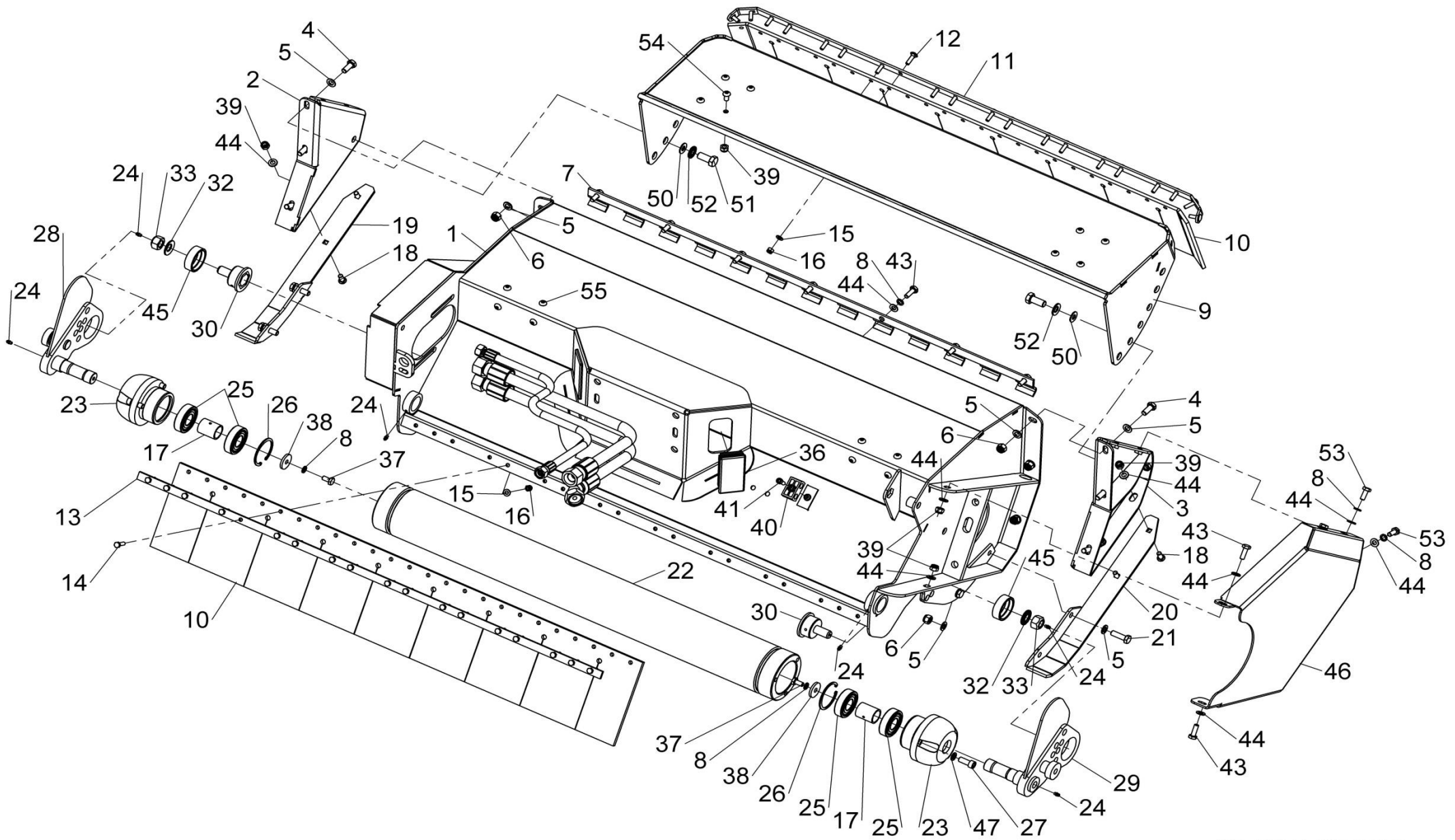


KIT-08177 KIT-08178



ASSY NUMBER:		KIT-08178		ASSY DESCRIPTION:		HEAD SHELL, NOSE AND ROLLER 1.5m (2013 & ON)	
ITEM	PART NO	DESCRIPTION	QTY	ITEM	PART NO	DESCRIPTION	QTY
1	801670 02	HEAD SHELL (1.5M) LH DRIVE	1	30	802669 01	STUB PIVOT	2
OR	801670 30	HEAD SHELL (1.5M) RH DRIVE	1	31			
2	801689 01	NOSE SIDE PBXXX150404 & ON	1	32	WSHA30201	WASHER	2
OR	800815 01	NOSE SIDE (LH DRIVE) UPTO PBXXX150404	1	33	NUTA15202	STOVER NUT	2
OR	800815 02	NOSE SIDE (RH DRIVE) UPTO PBXXX150404	1	34			
3	801689 02	NOSE SIDE PBXXX150404 & ON	1	35			
OR	801212 01	NOSE SIDE (LH DRIVE) UPTO PBXXX150404	1	36	CAP-0060	PLASTIC CAP	2
OR	801212 06	NOSE SIDE (RH DRIVE) UPTO PBXXX150404	1	37	HSS-0188	SETSCREW	2
4	HSS-0238	SETSCREW	6	38	190548 01	WASHER	2
5	WSH-0018	PLAIN WASHER	24	39	NUT-0265	NYLOC NUT	16
6	NUT-0269	NYLOC NUT	10	40			
7	803714 01	HINGE PLATE (1.5M)	1	41	SCW-0136	CAP HEAD SCREW	1
8	WSH-0061	SPRING WASHER	12	42			
9	803779 01	NOSE (1.5m) PBXXX160631) & ON	1	43	HSS-0194	SETSCREW	9
OR	802447 01	NOSE (1.5m) PBXXX(150404) TO(160631)	1	44	WSH-0015	WASHER	18
OR	800820 02	NOSE (1.5m) UPTO PBXXX150404	1	45	802667 01	BUSH	2
10	800068 02	CURTAIN (1.5M)	2	46	801213 01	HEAD SKID COVER (LH DRIVE)	1
11	800825 02	FIXING STRIP (1.5M)	1	OR	801213 02	HEAD SKID COVER (RH DRIVE)	1
12	BLT-2700	COACHBOLT	20	47	WSH-0065	SPRING WASHER	6
13	800069 02	FIXING STRIP (1.5M)	1	48			
14	HSS-0150	SETSCREW	18	49			
15	WSH-0012	PLAIN WASHER	38	50			
16	NUT-0263	NYLOC NUT	38	51	HSS-0315	SETSCREW	2
17	801950 01	SPACER TUBE	2	52	WSHA30161	WASHER PBXXX150404 & ON	2
18	BLT-3745	COACHBOLT	4	OR	WSHA30121	WASHER UPTO PBXXX150404	2
19	800881 01	SKID W/A LH	1	53	HSS-0191	SETSCREW	3
20	800881 02	SKID W/A RH	1	54	SCW-0514	CAP HEAD SCREW	8
21	HSS-0250	SETSCREW	4	55	SCBA10114	CAP HEAD SCREW	11
22	801976 01	ROLLER (1.5M)	1				
23	801944 01	END CAP	2				
24	NIP-00600	GREASE NIPPLE	6				
25	BRG-13005	BEARING	4				
26	CIR-0720	CIRCLIP	2				
27	SCW-0243	CAP HEAD SCREW	6				
28	802664 02	BRACKET ADJUSTABLE LH	1				
29	802664 01	BRACKET ADJUSTABLE RH	1				

**REFER TO KIT-08248 FOR HYDRAULICS**

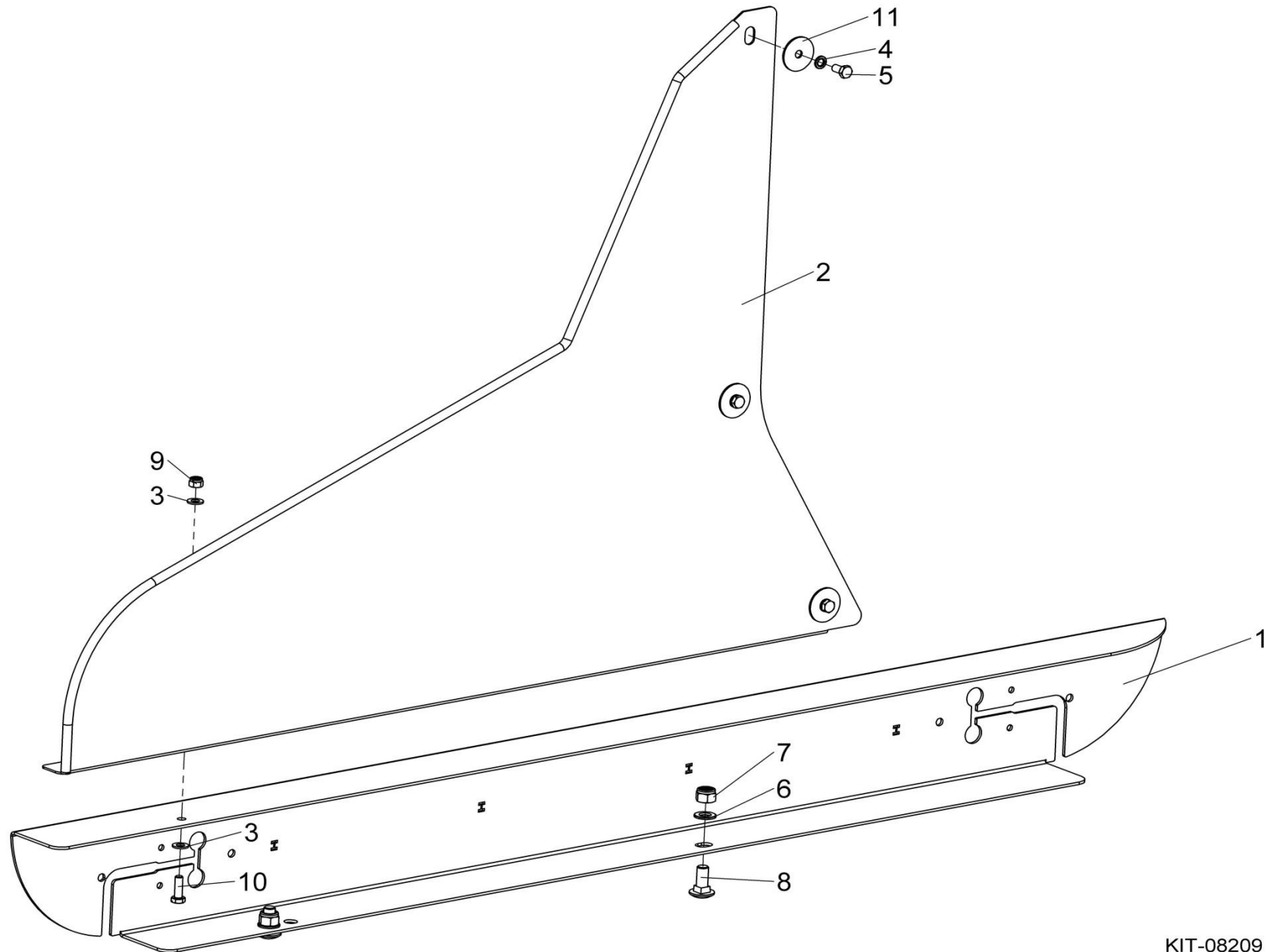


KIT-08177 KIT-08178  
*Shelburne*  
 REYNOLDS

## Shelbourne Reynolds Engineering Limited

ASSY NUMBER: KIT-08209				ASSY DESCRIPTION: REAR GUARD KIT			
ITEM	PART NO	DESCRIPTION	QTY	ITEM	PART NO	DESCRIPTION	QTY
1	801378 01	LIGHTING BOARD	1				
2	801229 01	REAR GUARD W/A	1				
3	WSH-0012	WASHER	2				
4	WSH-0058	SPRING WASHER	3				
5	HSS-0135	SETSCREW	3				
6	WSH-0018	WASHER	2				
7	NUT-0269	NYLOC NUT	2				
8	BLT-3790	COACH BOLT	2				
9	NUT-0263	NYLOC NUT	1				
10	HSS-0145	SETSCREW	1				
11	190119 05	WASHER	3				

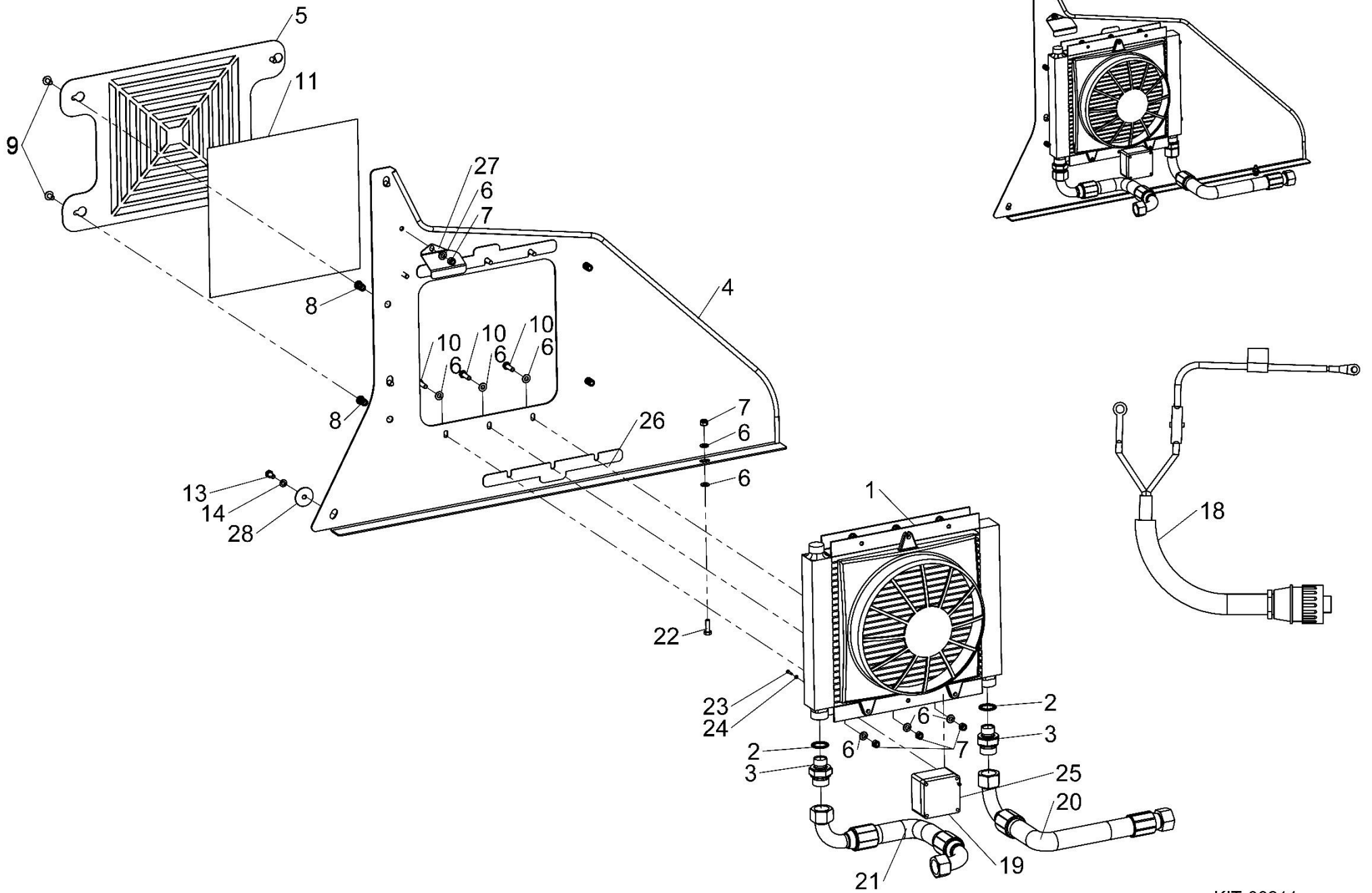




KIT-08209



ASSY NUMBER: KIT-08211				ASSY DESCRIPTION: OIL COOLER KIT (600 Trimmer)			
ITEM	PART NO	DESCRIPTION	QTY	ITEM	PART NO	DESCRIPTION	QTY
1	HOC-00010	OIL COOLER	1				
2	WSH-1020	WASHER	2				
3	HMA-0075	ADAPTER	2				
4	803524 01	REAR GUARD	1				
5	803450 01	GUARD	1				
6	WSH-0012	WASHER	19				
7	NUT-0263	NYLOC NUT	8				
8	NUTA13087	NUTSERT	4				
9	HSSG08114	BOLT	4				
10	HSS-0145	SET SCREW	7				
11	MES-28100	MESH SCREEN	1				
12							
13	HSS-0135	SETSCREW	3				
14	WSH-0058	WASHER	3				
15							
16							
17							
18	803459 01	COOLER CONNECTION KIT	1				
19	803460 01	COOLER WIRING LOOM	1				
20	HHBI16505	HOSE	1				
21	HHEI14005	HOSE	1				
22	HSS-0145	BOLT	1				
23	SCFC03110	PAN HD SCREW	2				
24	WSH-0001	WASHER	2				
25	NUTA02030	NYLOC NUT	2				
26	804692 01	SPACER PLATE	2				
27	804845 01	COOLER PLUG GUARD	1				
28	190119 05	WASHER	3				



KIT-08211

