

Shelbourne

REYNOLDS

4.2m & 4.8m

OPERATORS & HEADER PARTS MANUAL

(2000 & ON)
ORIGINAL INSTRUCTIONS



Shelbourne Reynolds Engineering Ltd
Stanton
Bury St Edmunds
Suffolk
IP31 2AR
England

Telephone: 01359 250415
Fax: 01359 250464

Stores Direct : 01359 251231
Stores Direct: 01359 252031

Issue 10 13/05/2016

MECHANICAL PICK UP HEADER

www.shelbourne.com



Dealer Pre-delivery / Installation and Warranty Registration – Pick up header (Mechanical)

PLEASE TICK APPROPRIATE COLUMN FOR EACH ITEM UNDERTAKEN

Dealer Pre Customer Delivery / Installation / Commissioning	Checks OK	Adjusted
Fold down draper and finish assemble any loose parts removed for shipping.		
Is the header set correctly for the combine ?		
Is the combine set up for the header ?		
Install and lock header onto the combine.		
Connect PTO shaft, secure with chains and check guard is covering all parts.		
Connect combine to header hydraulic coupling.		
Check or adjust header skids are set fully up into mainframe.		
Set draper skids or gauge wheels height setting for tines min. ground clearance.		
Set optimum angle of draper to header and harvesting height, see sec.7.6 & 7.7		
Check the auger is adjusted correctly, min clearance and float allowance.		
Ensure the auger chain is tensioned correctly.		
Check quantity of auger fingers and if flight extensions need fitting ?		
Fit draper stripper plate in correct position and under spring clips in mainframe.		
Run up header, check draper speed variation using reel speed controller.		
Check and if needed track draper belt, see sec. 7.9.		
Check auger reversing facility by engaging combine elevator reverser.		
Ensure the header is greased		
Check in general the tightness of fasteners.		
Ensure that all safety guards and safety signs are fitted.		
Check paint work and finish.		
Ensure that an operator's manual is supplied with the machine.		
Additional comments:		
Dealer Representative's Name:	Date:	

Customer Instruction	Actioned
Explain the correct setting & operation of the machine to the customer.	
Ensure the maintenance schedule is explained to the customer.	
Ensure the oil level, lubrication & grease points are indicated to the customer.	
Ensure all safety precautions & warning decals are explained to the customer.	
Ensure the warranty policy is explained to the customer.	
Ensure that the operator's manual is handed to the customer.	
Additional comments:	
Dealer Representative's Name:	Date:

For specific details please refer to the operator's manual.

Dealer's pre-delivery/installation check **IMPORTANT**

All items listed on the left must be checked, and adjusted if necessary. The person conducting the inspection should tick each item in the space provided, indicating whether or not adjustments were required. In the event of additional work being needed, details should be given in the additional work / discrepancy box, located at the bottom of this sheet, or on a separate sheet if required. When the inspection is complete, THIS FORM MUST BE COPIED & RETURNED TO:- Shelbourne Reynolds within 30 days of delivery to customer, otherwise the invoice date to the dealer will be deemed to be the start date for the warranty period.

Dealer Name: _____

Address: _____

Post / Zip code: _____

Dealer Salesman Name: _____

Customer Name: _____

Business Name (if different from above): _____

Address: _____

Post / Zip code: _____

Email Address: _____

Tel No. Home / Office: _____ Cell / Mobile: _____

SERIAL NUMBER: _____ MACHINE NUMBER: _____

HEADER MODEL: _____ COMBINE MODEL: _____

Dealer Signature: _____

Print Name: _____ Date: _____

Customers Signature: _____

Print Name: _____ Date: _____

The customer's signature certifies that the machine was delivered in a satisfactory condition and that adequate instruction was received as to its correct operation, safety requirements, and maintenance as stated in the operator's manual, and that the customer has read, understood, and agrees to the Terms and Conditions of Sale and Warranty (including the disclaimers and limitations) contained in Section 1.5 of the operator's manual.

**This page must be faxed or emailed to Shelbourne Reynolds Engineering Ltd.
Fax No: +44 (0)1359 250464 Email: warranty@shelbourne.com**

EC Declaration of conformity for machinery

(Machinery Directive 2006/42/EC, Annex II., sub. A)

Manufacturer : Shelbourne Reynolds Engineering Ltd.

Address : Shepherds Grove Industrial estate,
Stanton,
Bury St Edmunds,
Suffolk.
England.
IP31 2AR

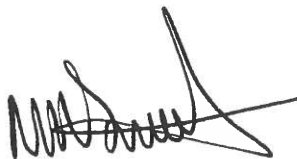
Name and address of the person (*established in the European Community/EEA*)
authorised to compile the technical file (*to the authorities on request*):

Name : Mr. Neil Smith

Address : As stated above.

Herewith we declare that :	DESIGNATION:	<input type="text" value="PICK-UP HEADER"/>
	MODEL:	<input type="text"/>
	TYPE:	<input type="text"/>
	MACHINE No.:	<input type="text"/>
	SERIAL No.:	<input type="text"/>

- is in conformity with the relevant provisions of the Machinery Directive (2006/42/EC)



Neil Smith
Director

Place :

Date :

OPERATORS MANUAL

CONTENTS

Section 1	INTRODUCTION
1.1	Foreword
1.2	Improvements and changes
1.3	Service Parts
1.4	Machine Identification
1.5	Standard warranty policy
Section 2	SAFETY PROCEDURES
2.1	Accident prevention
2.2	Before starting the machine
2.3	The machine in the field
2.4	Leaving the machine
2.5	Servicing the pick up header
2.6	Header attachment and detachment
Section 3	SPECIFICATION AND DESCRIPTION
Section 4	TRANSPORTATION
Section 5	PREPARATION FOR USE
5.1	Mounting the pick up header
5.2	Levelling the header
5.3	Angle of pick up header
5.4	Aligning header drive
5.5	Draper hydraulic supply
5.6	Draper position settings
5.7	Draper skid settings (optional equipment)
5.8	Draper wheels and float springs settings (optional equipment)
5.9	Setting the draper to the optimum angle
5.10	Stripper plate settings
5.11	Header skids
5.12	Header height indicator
5.13	Auger flight and flight extensions
5.14	Crop slides (optional equipment)
Section 6	FIELD OPERATION
6.1	Direction of travel
6.2	Header / draper height settings
6.3	Forward speed
6.4	Draper speed
6.5	Auger / finger position
6.6	Auger blockage / reversing
6.7	Picking up the swath

6.8 Adjustment / troubleshooting charts

Section 7 ADJUSTMENTS AND MAINTENANCE

- 7.1 Angle of pick up header
- 7.2 Aligning header drive
- 7.3 Draper position
- 7.4 Draper skid settings (optional equipment)
- 7.5 Draper wheels settings (optional equipment)
- 7.6 Setting draper to optimum angle (optional skids fitted)
- 7.7 Setting draper springs and angular movement (optional wheels and springs fitted)
- 7.8 Draper belt tensioning
- 7.9 Draper belt tracking
- 7.10 Changing draper belt
- 7.11 Changing draper plastic pick up tines
- 7.12 Stripper plate settings
- 7.13 Header skids
- 7.14 Auger position / float settings
- 7.15 Auger fingers
- 7.16 Auger stripper plates
- 7.17 Auger flight extensions
- 7.18 Auger slip clutch setting
- 7.19 Auger chain tension
- 7.20 Draper metal tines and slats (optional equipment)
- 7.21 Crop slides (optional equipment)

Section 8 LUBRICATION

Section 9 MACHINE STORAGE

Section 10 PARTS LISTING

SECTION 1

INTRODUCTION

1.1 FOREWORD

This manual will assist the operator in setting the pick up header and combine combination to give optimum throughputs and loss levels in particular crops. It should be read carefully before putting the machine to work.



1.2 IMPROVEMENTS AND CHANGES

Shelbourne Reynolds Engineering are continually improving their products to meet the farmers needs and therefore reserve the right to make improvements and changes when practical to do so, without incurring any obligation to make changes and additions to equipment which has been sold previously.

1.3 SERVICE PARTS



Use guaranteed and genuine Shelbourne Reynolds Engineering service parts on Shelbourne Reynolds machinery to ensure maximum life and best performance. These are available through your Shelbourne Reynolds Engineering dealer.

When ordering service parts always quote the model, serial number and machine number.

1.4 MACHINE IDENTIFICATION

The serial and machine numbers of the pick up header are printed on a plate located on the right hand side sheet of the mainframe.

The machine number of the adaptor plate is printed on a plate located on the top right hand corner of the adaptor plate.

	
YEAR <input type="text"/>	WEIGHT TOTAL <input type="text"/>
FOR SPARES QUOTE BOTH	
TYPE MACHINE No. <input type="text"/>	SERIAL No. <input type="text"/>
DESIGNATION <input type="text"/>	
	SHELBOURNE REYNOLDS ENGINEERING LTD STANTON, SUFFOLK, IP31 2AR. ENGLAND

1.5 STANDARD WARRANTY POLICY

NEW MACHINE WARRANTY

All new machines supplied by **Shelbourne Reynolds Engineering Ltd.** (“**Shelbourne**”), are warranted to the original purchaser (who is not the Shelbourne dealer), under normal use and service, to be free from defects in material and workmanship for a period of 12 months from the date of delivery to the original purchaser (“**Warranty Period**”). This limited warranty gives you specific legal rights and is in addition to any statutory rights to which you may be entitled. Your statutory rights are not affected by this warranty.

To qualify for the full benefit of this warranty, the dealer must ensure that the warranty registration details have been returned to Shelbourne within 30 days from the date of delivery. Using the machine implies the knowledge and acceptance of these instructions and the limitations contained here in this Manual. Shelbourne reserves the right to suspend the operation of these warranty conditions unless and until the purchaser has paid in full for the goods or parts in question.

WARRANTY CLAIMS

If the original purchaser:

- 1) gives notice in writing to Shelbourne during the Warranty Period, and within a reasonable time of discovery, that the machine supplied does not comply with the warranty given above;
- 2) gives Shelbourne a reasonable opportunity of examining the machine or the damaged or defective parts; and
- 3) if requested by Shelbourne, returns damaged or defective parts (via the original authorised Shelbourne dealer) within 30 days of notification of a defect,

then Shelbourne shall, at its option, repair or replace the defective machine or parts, or refund the price of the defective machine in full.

If Shelbourne authorises the original purchaser to arrange a repair of the machine, all claims for repair costs must be submitted to Shelbourne by an authorised Shelbourne dealer within 15 days of the date of the repair on a Shelbourne Warranty Claim Form. The submission of a claim is not a guarantee of payment. Any decision reached by Shelbourne is final.

This Warranty Policy does not give the original purchaser any additional rights other than those specified above. In particular, Shelbourne shall not be liable for any loss of profit, loss of or damage to goodwill, loss of contract business or business opportunity, or indirect or consequential loss, arising from any failure by a machine to comply with the terms of this warranty.

LIMITATIONS AND EXCLUSIONS

Shelbourne will not be liable for the machine's failure to comply with this warranty in any of the following circumstances:

- 1) any repairs or modifications are carried out without Shelbourne's prior consent to the work being done;
- 2) where damage or depreciation caused by normal wear and tear;
- 3) where any non-genuine Shelbourne parts have been fitted or used within the machine,
- 4) wilful or accidental damage, damage caused by foreign objects (e.g. stones, metals and any materials other than those suitable for the machines intended use).
- 5) where damage or depreciation is caused by neglect or failure to carry out proper maintenance as recommended in the Shelbourne Operators Manual.

- 6) where damage or depreciation caused by abnormal or in-proper use in accordance with Shelbourne recommendations and/or as per the Operating Instructions.
- 7) where the original purchaser or any third party continues to use the machine after notifying a defect to Shelbourne, or after becoming aware of such a defect.

This warranty shall not apply in respect of:

- 1) chains, bearings or any other items which are considered to be a normal wearing or consumable item; and
- 2) items not manufactured by Shelbourne such as trade accessories e.g. tyres, belts, hydraulic motors, hydraulic valves, PTO shafts etc. are warranted by their respective manufacturer.

TRANSFER OF WARRANTY

Shelbourne may at its sole discretion allow this warranty to be transferred to a subsequent owner of the machinery for the balance of the warranty period, subject to all of the warranty conditions being met and only with Shelbourne giving prior written consent.

WARRANTY ON PARTS

Shelbourne warrants that any part or components supplied by Shelbourne in accordance with this limited warranty are free from defects in material or workmanship from the date of sale to the original purchaser for 6 months. Shelbourne will at its option, either repair or replace the defective part free of charge. Original Purchaser shall be responsible for labour and all freight charges to and from the place where the warranty work is performed.

Shelbourne Reynolds Engineering Ltd. cannot be held responsible for any failures or safety implications arising from the use of non-genuine parts. Use of non-genuine parts may seriously affect the machine's performance and safety.

SECTION 2

SAFETY PROCEDURES

2.1 ACCIDENT PREVENTION

The following safety instructions are applicable for all chapters of this manual.

Careful heed must be paid not only to the safety instructions contained in this operating manual but also to the accident prevention regulations governing the operation of agricultural machinery.

Accident programmes can only prevent accidents with the co-operation of the persons responsible for the operation of the equipment.

For safety of yourself and others, operate equipment with care and do not take unnecessary risks which could cause an accident.

The combine manufacturer's operators manual safety precautions should be adhered to along with the following additional safety precautions listed when using a pick up header

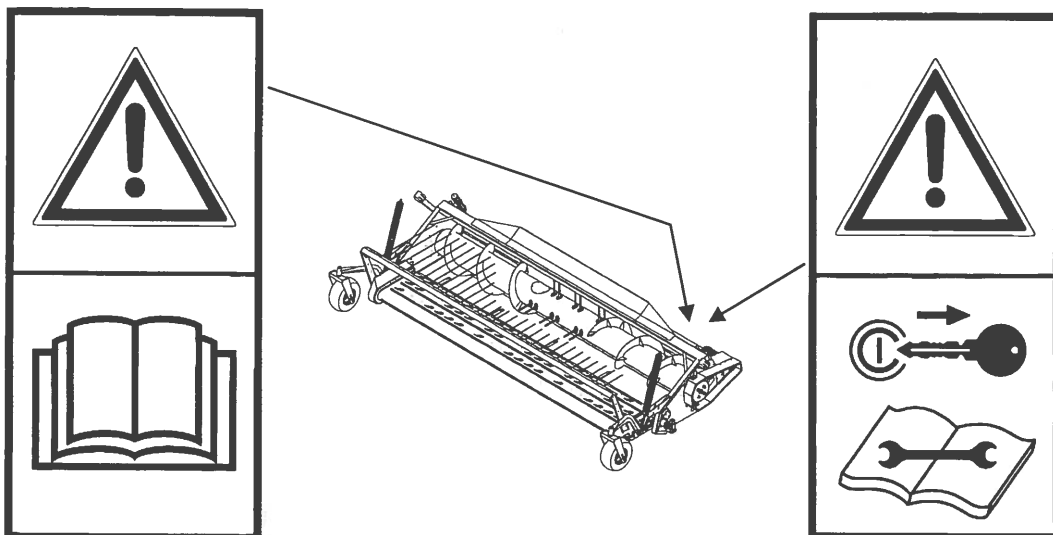
CAUTION



In addition to the following list, this symbol will appear throughout this manual whenever your safety is involved.

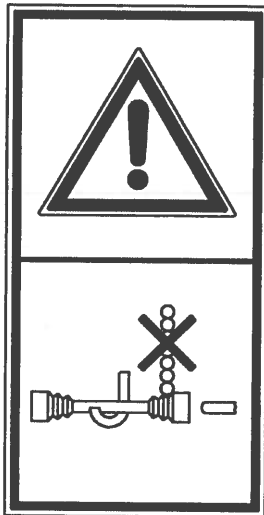
DANGER SYMBOLS

On the machine - the following symbols appear on the machine and are for your safety and the safety of other people. Ensure that you identify each symbol and understand it's warning.

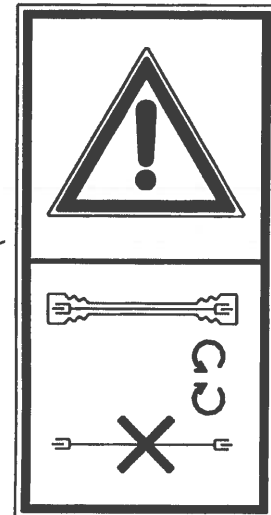
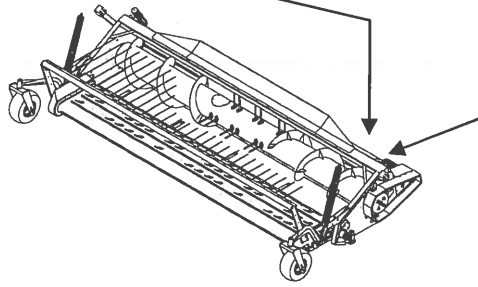


Carefully read the operating manual before handling the machine.

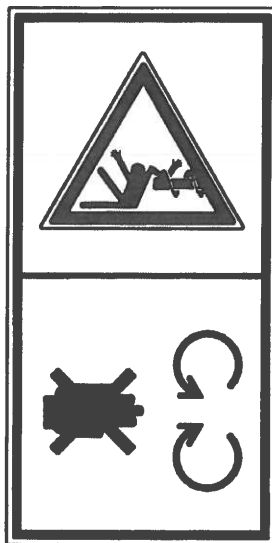
Stop the engine and remove the key from the tractor before carrying-out any work on the machine.



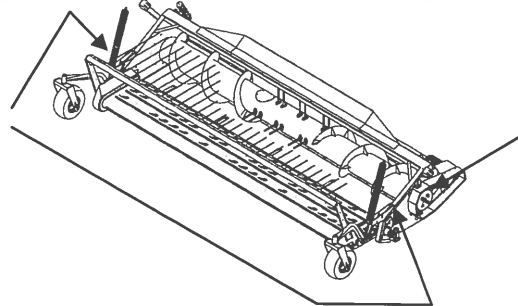
When the PTO drive shaft is disconnected
it must be supported on it's correct support.
It must not be hung on it's chain.



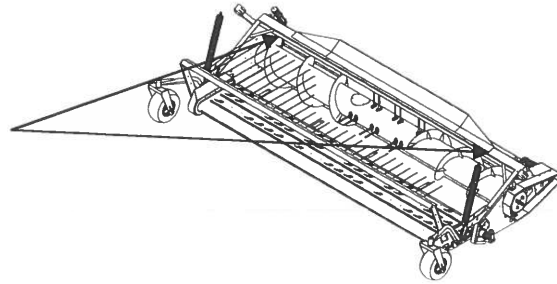
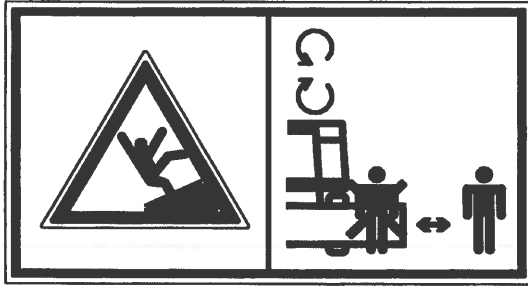
All PTO guards must be securely in-
place before the engine is started. Do not
Remove any guard whilst the engine
is running. Severe injury may result
from moving and rotating parts.



Beware of rotating auger and draper belt.
before
Severe injury may result from falling onto
any
the auger or the draper belt.
Severe
rotating



All guards must be securely in-place
the engine is started. Do not remove
guard whilst the engine is running.
injury may result from moving and
parts.



Do not stand in front of header.
Stand clear of header.
Disengage header drive, shut off engine and remove key before servicing or unclogging header.

GENERAL SAFETY

Please read all safety instructions contained in this operating manual with the utmost care and also observe all warning signs attached to the Pick up header. These warning signs must be kept in a legible condition and must be replaced if missing or damaged. This is especially the case when whole sections are replaced when making repairs. Warning signs are available from your dealer or importer.

Follow these instructions to prevent accidents. These instructions must also be made available to all other users. You are advised to refrain from any working methods which may be hazardous.

PROPER USE

Shelbourne Reynolds Pick-up Headers are based on state-of-the-art technology and are manufactured in accordance with recognised safety requirements. Nevertheless the use of the header does not preclude the risk of injury to the user or third parties and / or the risk of damage to the header itself or to other materials or items of equipment.

Always make sure that the **Shelbourne Reynolds Pick-up Header** is in a technically perfect condition and that it is used properly and for its intended purpose and entirely in accordance with the instructions given in this manual. Any malfunctions or defects which might affect the safe operation of the header must be immediately eliminated.

The **Shelbourne Reynolds Pick-up Header** must be used, maintained and repaired only by persons who are familiar with its working and have been made fully conversant with the risks involved.

OEM replacement parts and accessories from Shelbourne Reynolds have been specially designed for use with the **Shelbourne Reynolds Pick-up Header**. Any replacement parts and accessories not supplied by Shelbourne Reynolds have not been tested and approved by us. The installation and/or the use of non-Shelbourne Reynolds products may under certain circumstances have a negative influence on the given design features of your header and may therefore adversely affect its safe and reliable operation and your safety. Shelbourne Reynolds cannot therefore be held liable for damage or injury caused by the use of non-OEM replacement parts or accessories.

The **Shelbourne Reynolds Pick-up Header** is intended for use on typical farms and to be employed in picking up suitable swathed crops. Any uses other than those for which the header is intended, such as transportation, will automatically exempt Shelbourne Reynolds or the supplier from it's/his liability in respect of ensuing damage. Such cases of improper use will therefore be entirely at the user's own risk.

All relevant accident prevention regulations, as well as other generally acknowledged health and safety regulations and road traffic regulations must be strictly observed.

Improper use also comprises failure to observe the instructions given in this operating manual and the manufacturer's maintenance and servicing requirements.

OPERATIONAL SAFETY

The **Shelbourne Reynolds Pick-up Header** must not be put into operation until the user has been given proper initial instructions either by the dealer or by one of Shelbourne Reynolds' representatives or employees.

The **Shelbourne Reynolds Pick-up Header** may be used only if all safety devices, e.g. detachable guards, are fitted and in proper working order.

Nuts and bolts should be checked at regular intervals and tightened if necessary.

Tyre pressures must also be checked regularly.

In the event of a malfunction, immediately cease operation and secure the **Shelbourne Reynolds Pick-up Header** in it's stationary position. Malfunctions must be eliminated immediately.

No liability for consequential damage

Even though your **Shelbourne Reynolds Pick-up Header** has been manufactured with the utmost care and you are using it properly, fluctuations in performance may still occur.

It is the duty of the operator / user to ensure that foreign objects, e.g. stones, metal objects etc. are not allowed to enter the header. Failure to observe this may result in damage to the header and / or injury to the operator / user and / or damage to the combine.

Any claims for damages not directly incurred by the **Shelbourne Reynolds Pick-up Header** cannot be accepted. By the same token, Shelbourne Reynolds cannot be held liable for any consequential damage resulting from incorrect use of the header.

ROAD SAFETY

Road traffic regulations must be observed when taking the **Shelbourne Reynolds Pick-up Header** on roads, paths and other public places. The header must be in a road-worthy condition.

Observe the maximum permissible width for road transport and fit all necessary warning signs and guards.

Fully secure guards and covers so that they cannot cause injury or damage to other users of the public place.

Use only the approved Shelbourne Reynolds trailer for transporting the **Shelbourne Reynolds Pick-up-Header** header and attach it securely to the tow hitch on the towing vehicle.

Ensure that all braking systems and lighting systems on the combine or towing vehicle (if using a trailer) are in full working order and that they can be fully and correctly operated.

Disconnect all hydraulic connections and / or the PTO drive shaft from the header so that it cannot be inadvertently operated if transported on combine.

No person other than the operator may be allowed to ride on the combine's

When coupling the Shelbourne Reynolds Pick-up Header to the combine.

The coupling and uncoupling of the header is the same as for the combine's cutterbar.

Follow the procedure outlined in the manufacturer's operators book also.

When using the PTO shaft

Use only the universal joint shaft which is supplied with the **Shelbourne Reynolds Pick-up Header** and is intended for use with it. Ensure that it is fitted with the prescribed protective equipment (protective tube and funnel-shaped PTO shaft guard must be fitted). Make sure that the combine engine and the PTO shaft are switched off before proceeding to fit the universal joint shaft.

Do not modify the length of the supplied PTO shaft, guard cones and tubes. Ensure the guards are secured in such a way that they cannot rotate with the shaft.

Be absolutely sure that there is nobody standing in dangerous proximity to the header or combine when you switch on the PTO shaft.

When using the hydraulic system

Do not connect the hydraulic hoses to the combine's hydraulic system until you have made sure that the system is at zero pressure on both the combine and the header. The hydraulic system generates extremely high pressures. All piping, hoses and connections must therefore be checked regularly for leakage and visible external damage. Use proper and thorough means of searching for leakage and repair all damage immediately. Spurting hydraulic oil can cause injuries and fires. Call a doctor immediately in the event of injury.

2.2 BEFORE STARTING THE MACHINE

1. Read the manual thoroughly.
2. Check that all guards are properly secured.
3. Ensure that no person is working on or inside the machine.
4. Check that all observers are clear of the machine. Warn bystanders by sounding the horn several times.

2.3 THE MACHINE IN THE FIELD

5. Do not permit anyone other than the operator to ride on the combine.
6. Always stop the engine and apply handbrake before removing or opening any guards or clearing a blockage.
7. Do not go under the pick up header unless it is securely blocked or the header safety latch is lowered onto the lifting cylinder
8. NEVER go in front of the machine whilst the header is running.
9. Always replace all guards after making any adjustments or lubricating the machine. Replace or repair any damaged or missing guards immediately.
10. Do not work around the machine in loose clothing that might get caught in moving parts.
11. Keep hands away from moving parts.
12. Keep children away from and off the machine at all times.

2.4 LEAVING THE MACHINE

13. Park the machine on reasonably level ground.
14. Apply the parking brake.
15. Lower the header to the ground.
16. Stop the engine and remove ignition key.

2.5 SERVICING THE PICK UP HEADER

17. Ensure that the header is on the ground or if in the raised position, that it is securely blocked or the header safety latch is lowered onto the lifting cylinder.
18. Stop engine and apply handbrake before performing any adjustments or lubrication and before opening or removing any guard.
19. Always re-install all safety guards on completion of servicing.

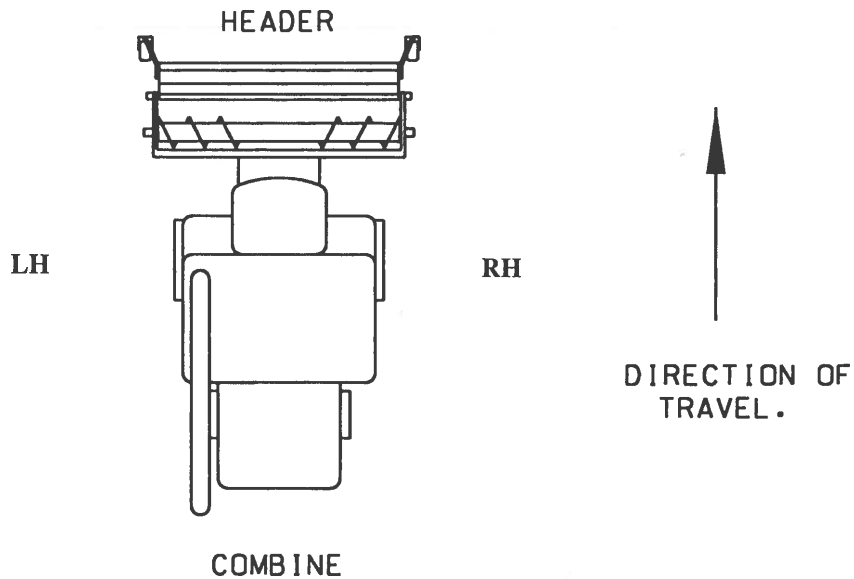
2.6 HEADER ATTACHMENT AND DETACHMENT

20. Follow the procedure described in the combine operators manual for header attachment and detachment.

SECTION 3

SPECIFICATION & DESCRIPTION

RIGHT AND LEFT HAND OF THE MACHINE AS TERMED IN THE MANUAL IS AS VIEWED WHEN IN THE DRIVERS SEAT.



ALL MACHINES

- Multi-plate -
up Interchangeable adaptor plates and drive kits for mounting pick header to other popular combine types.

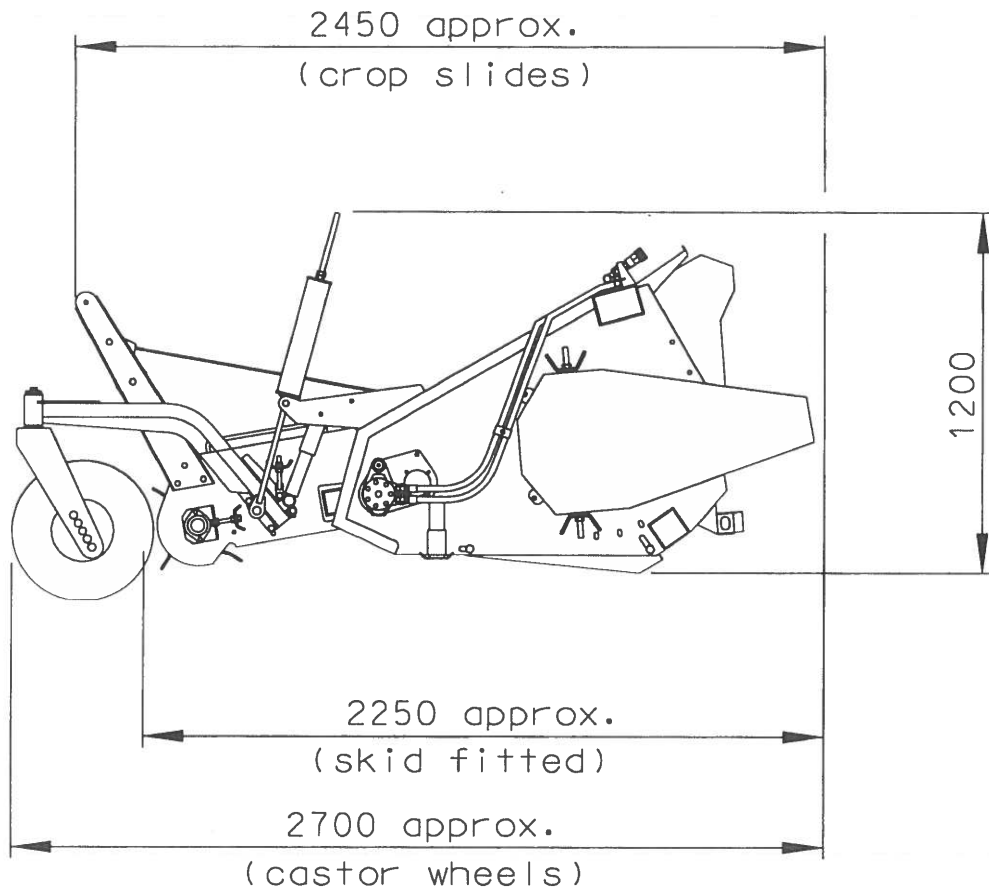
- Auger - Mechanical drive with a fixed speed of approximately 180rpm
Diameter 610mm over flights with adjustable retractable fingers and stripping plates.
Outside retractable fingers and two stage bolt on flight extensions
to allow for width variations in combine feed elevators
Auger can have float facility to accommodate lumps in swath.
Auger and drive protected by a slip clutch.
Auger reverse function used off the combine.

- Draper - Direct hydraulic drive using combine's variable speed hydraulic reel drive, giving a range between 0 to 400 rpm. (approx. depending on combine make)
One piece draper belt constructed out of a low maintenance PVC, fitted with flights and plastic tines.
Belt tensioning and tracking from sides of draper.
Draper belt fitted with adjustable rubber side seals.
Canvas edged stripper plate fitted.

- Adjustable -
skids Mounted under header mainframe to control ground height.

- Optional
equipment Draper skids and support chains.
Draper wheels and float springs.
Crop slides.
Metal tines and slats.
Header marker lights.(USA only)

TECHNICAL SPECIFICATIONS:



Model	Effective pick up width	Overall width (Castor wheels)	Overall width (Skids fitted)	Weight
4.2M+ (13')	3916mm (12'10")	4930mm (16'2")	4580mm (15')	1060 kg
4.8M+ (15')	4516mm (14'10")	5530mm (18'2")	5180mm (17')	1220 kg

SECTION 4

TRANSPORTATION

To prevent damage to the pick up header, the machine should be moved only by one of the following methods:

- Attaching to combine
- By slinging the mainframe using the two designated sling points for overhead lifting.
- On a trailer which gives suitable support in the correct positions of the header and provides adequate stability.



DO NOT

- Attempt to lift under the header with a forklift, unless the header is on an adequately supportive pallet.
- Remove header onto floor without lowering parking stands positioned at the front corners of the machine.

SECTION 5

PREPARATION FOR USE



Read this section carefully and carry out settings listed before field use. If in any doubt of adjusting the following, consult your dealer.

5.1 MOUNTING THE PICK UP HEADER.

The header mounts onto the combine in the same manner as the normal cutting platform. Refer to combine operator's books for fitting details.

5.2 LEVELLING THE HEADER

The header should be parallel with the front axle of the combine, if it is not, then it should be adjusted according to the combine operator's manual, as adjustment method is the same as that for the conventional cutterbar.

5.3 ANGLE OF PICK UP HEADER

The angle of the pick up header is adjustable. This allows the header to be tipped forwards or backwards on the adaptor plate. This enables the front, flat area of the auger pan to be set level or slightly slopping down to the auger trough, when the header is in the harvesting height position.

See pick up header adjustments and maintenance section.

5.4 ALIGNING HEADER DRIVE

See pick up header adjustments and maintenance section.

5.5 DRAPER HYDRAULIC SUPPLY.

The header will be supplied with the correct quick release couplings to connect to the combine's hydraulic reel drive. Simply connect up and ensure that the draper turns the correct direction.



Initially remove the stripper plate to avoid damage to belt and tines if rotation is incorrect.

5.6 DRAPER POSITION SETTINGS.

The draper can be set in two different positions within the mainframe depending upon the crop type being harvested. For crops, which are bulky (i.e. winter and spring oil seed rape), use the front position. The rear position would therefore be used for crops of less bulk (i.e. clover, grass etc.)

See pick up header adjustment and maintenance section.

5.7 DRAPER SKID SETTINGS (OPTIONAL EQUIPMENT)

On both the front corners of the draper frame adjustable skids can be fitted. These are to restrict the fingers from touching the ground when harvesting. They should initially be set so that when the skids touch, the fingers are approximately 50mm (2") above the ground.

See pick up header adjustment and maintenance section.

5.8 DRAPER WHEELS AND FLOAT SPRINGS SETTINGS (OPTIONAL EQUIPMENT)

On both the front corners of the draper frame height adjustable wheels and variable float springs can be fitted. These are to control the height of the draper fingers in relation to the ground when harvesting. The wheels should initially be set in the middle adjustment hole.

The float springs should be set so that they carry 95% of the draper weight.

By this the draper can be raised using hand force only and when released it should return to its lowest position on the stop. The amount of float movement can also be adjusted

See pick up header adjustment and maintenance section.

5.9 SETTING THE DRAPER TO THE OPTIMUM ANGLE

The draper assembly pivots around the drive roller within the pick up header mainframe. This therefore allows the draper to have a variable angle to the ground. For the least swath disturbance this angle needs to be as acute as possible.

This angle needs initial setting if draper skids are fitted.

See pick up header adjustment and maintenance section.

If draper wheels are installed then the angle does not need setting, as it is variable in use.

5.10 STRIPPER PLATE SETTING

The stripper plate can be set in two positions of which generally it will be used in the most forward. This also has an adjustable canvas and steel edging strip. Its purpose is to wipe the pick up fingers clean of crop and at the same time retain any loose seed.

To adjust see pick up header adjustment and maintenance section.

5.11 HEADER SKIDS

Underneath the header mainframe two adjustable skids are fitted. In operation the header will normally be carried, but it could on occasion touch the ground. The skids will protect the bottom of the mainframe and assist the operator. Initially the skids can be set in there fully raised position.

See pick up header adjustment and maintenance section.

5.12 HEADER HEIGHT INDICATOR

This should be set as described in the combine operator's manual.

5.13 AUGER FINGERS AND FLIGHT EXTENSIONS

Different combine's have different width feed elevators.

To accommodate this the pick up header has removable retractable fingers, and flight extensions so feed adjustment can be made.

To prevent auger plugging and uneven feed, it is important to ensure that the outer retractable fingers are not feeding in a position wider than the feed elevator of the combine.

The outer fingers should be removed until the outermost finger is inboard of the feed chain by at least 100mm (4"), otherwise wrap in the ends of the elevator roller may occur.

The auger flights should pass the end of the combine feeder chain by at least 75mm. See pick up header adjustment and maintenance section.

5.14 CROP SLIDES (OPTIONAL EQUIPMENT)

The crop slides functions are to hold light fluffy crop down onto the draper as well as help the swath's presentation under the auger.

The kit consists of a tube, supported off the draper side plates, running across the width of the header positioned above and in front of the front draper roller. From this tube spring steel wires are fixed. These point backwards towards the auger over the draper assembly.

The tube can be fitted in three height settings and the angle of the wires is also adjustable to suit all crop conditions.

Final setting should be done in field to suit conditions.
See pick up header adjustment and maintenance section.

OPERATING THE PICK UP HEADER.

Read this manual carefully before operating the pick up header in the field. To get optimum performance from your Shelbourne Reynolds pick up header the operator should keep to the following procedures of operation. The main objective is to lift the swath off the stubble and feed it to the combine with the least disturbance possible, several factors can affect this.

6.1 DIRECTION OF TRAVEL.

The direction of travel is important when picking up the swath. To obtain the best crop movement on to the draper the combine should travel in the same direction as the swather. Travelling the opposite direction has a tendency of excessive crop disturbance, which will effect the efficiency of the machine.

6.2 HEADER / DRAPER HEIGHT SETTINGS.

The height of the header is adjusted from the combine cab by the operator using the header height hydraulic adjusting lever or switch.

Generally the header height needs to be as low as possible to the crop, but not too low so that the skids are grounding constantly. This will therefore allow the draper to be set to a shallow angle.

Draper skids (optional equipment)

Once the draper optimum angle has been set then the header height will also control that of the draper.

Obviously draper height needs to be just low enough to recover the crop. When in operation the draper skids should to be clear of the ground most of the time allowing the support chains to be taught

Draper wheels and float springs (optional equipment)

The wheels setting in the castor yoke set the draper's front roller height to the ground.

The draper height needs to be just low enough to recover the crop.

During harvesting the operator would simply lower the header, firstly allowing the draper's wheels to contact the ground, then to lower further to allow the draper to be in a mid travel float position to the header.

(Note with the draper frame being torsional strong, along with the float springs, it can allow only one wheel touching the ground at times when on changeable ground.) This height setting can be repeated by noting the header height off the combine's header height indicator.

With the draper in a mid float position, as the ground contour changes then the draper can pivot in the mainframe still keeping a constant tine height to the ground.

6.3 FORWARD SPEED.

This is dependent upon size and capacity of the combine being used. The maximum speed will be governed either by the amount of acceptable combine loss levels or a facility, which is overloaded. To maximise efficiency the fastest forward speed possible should be used.

6.4 DRAPER SPEED.

This needs to be directly related to the ground speed. In operation the swath being lifted and transported by the draper needs the least disturbance possible. By this the draper linear belt speed needs to be equal or very slightly faster than ground speed. The speed is adjusted from the combine's hydraulic reel drive speed controller and will need adjusting every time the forward speed is varied.

6.5 AUGER / FINGER POSITION SETTINGS.

The auger is mounted into the mainframe by the use of bolt on side plates. The design of these allows the auger to have a vertical float facility to accommodate gaps and lumps within the swath. The float is totally adjustable and can also be locked off.

The auger will be factory set with float giving a 20mm min. and 40mm max. auger clearance.

The augers horizontal position is also adjustable.

In field operation, the auger could possibly require adjusting to suit a condition.

The position of the auger finger retraction is also adjustable. This is factory set to a standard position.

See pick up header adjustment and maintenance section.

6.6 AUGER BLOCKAGE / REVERSING.

If at any time the auger gets blocked and stalls during operation then the combine's auger reversing feature should be activated.

If this occurs firstly stop all forward movement of the combine immediately, then engage reverser following the procedure described in the combine's manufacturer's manual.

If for some other reason it still blocks, totally shut down the combine, lower the header to the ground and investigate blockage.

6.7 PICKING UP THE SWATH.

Follow in order the following procedure and checks to set the pick up header -

1. Ensure that all previous preparations have been carried out.
2. Begin to pick up the swath keeping a close watch on crop movement in the header. Set speeds to keep crop flow smooth and undisturbed.
3. When at a convenient stage stop machine and inspect area where swath had laid.
4. Any alterations to settings should be made with reference to adjustment charts on the following pages.
5. Continue harvesting but once again check for improvement.

ADJUSTMENT CHARTS**PROBLEM****CAUSE****REMEDY****CROP LOSS AT FRONT OF DRAPER**

Heads shattering or breaking off	Draper speed too fast for ground speed	Decrease draper speed. see section 6.4
	Draper speed too slow for ground speed.	Increase draper speed. see section 6.4
	Draper and / or header height too high.	Lower draper and / or header height. see section 6.2
	Direction of travel incorrect.	Change direction of travel. see section 6.1
	Draper angle too great	Lessen draper angle. see section 7.6 / 7.7
Seeds rolling off front of draper.	Damaged conveyor flights.	Replace draper belt. see section 7.10

CROP LOSS AT REAR OF DRAPER

Crop being pulled forwards under draper	Stripper plate not set correctly.	Re-set stripper plate see section 7.12
	Auger not clearing crop satisfactorily	Set auger fingers. see section 7.15
		Set auger position. see section 7.14
Loose seed falling in front of stripper plate	Stripper plate not set forward.	Set stripper plate forward. see section 7.12
	Stripper plate spring retainers broken or set incorrectly.	Set or replace. see section 7.12
	Header frame angle not set in correct position.	Set angle. see section 7.1

PROBLEM	CAUSE	REMEDY
IRREGULAR FEEDING THROUGH HEADER.		
Crop not moving smoothly on draper	Pick up tines broken or damaged.	Replace see section 7.11
	Draper speed to ground speed incorrectly set.	Adjust speed from Combine's reel control.
	Crop slides not set correctly	Adjust crop slides see section 7.21
Draper loosing speed	Draper jammed	Clear object
	Draper belt slipping	Tension draper belt see section 7.8
	Draper belt too low in tall stubble	Set skids or wheels height see section 7.4 or 7.5
valve	Combine's reel drive relief valve set incorrectly.	Check reel drive relief pressure setting. see combine manual.
	Hydraulic component failure.	Contact SRE dealer.
	Irregular crop flow between draper and auger	Draper position in main frame incorrect.
Auger speed reducing	Auger set too low	Adjust auger height. see section 7.14
	Draper angle too great	Lessen draper angle. see section 7.6 / 7.7
	Auger overloaded.	Reduce forward speed
	Auger set too low. and float locked off	Adjust auger. see section 7.14

MECHANICAL PROBLEMS

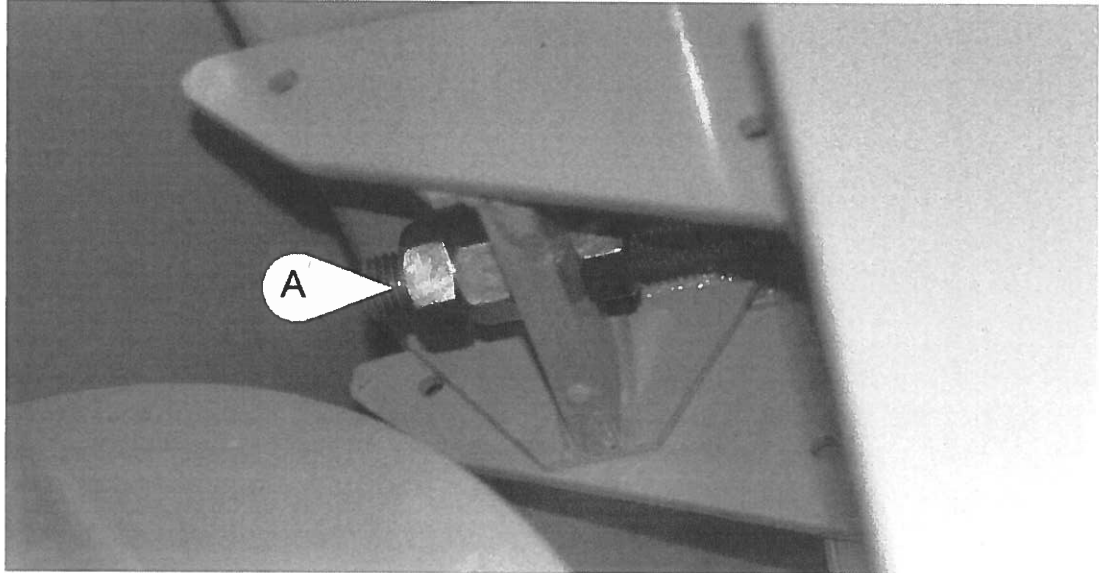
Draper always runs to one side.	Contamination inside draper.	Clear contamination.
	Belt tension incorrect	Set tension. see section 7.8
	Rollers not parallel.	Adjust accordingly. see section 7.8 / 7.9
	Draper tracking needs adjusting.	Adjust to track the belt. see section 7.9

SECTION 7 PICK UP HEADER ADJUSTMENTS AND MAINTENANCE

7.1 ANGLE OF PICK UP HEADER.

The angle of the pick up header is adjustable. The bolt in adaptor plate attaching the pick up header to your combine has two fixing studs (A) Fig.1 located just under the top beam near the centre opening. These fixing studs are adjustable and will therefore adjust the angle of the pick up header.

FIG 1.



To correctly set :-

1. Set the pick up header skids in the fully raised position.



Fully raise header and engage safety latch.

2. On level concrete lower the pick up header, so that the rear corner of the skid is approx..100-150mm (4-6") above the ground
3. At this stage the flat front section of the auger pan should be horizontal or slightly sloping back to the auger trough.
4. If adjustment is required, before adjusting the studs, the bolts securing the auger stripper plates on the adaptor plate only should be loosened to prevent jamming.
5. Adjust the studs (A) Fig.1. of the adaptor plate equal amounts until the setting is approximately correct.
6. Lock the adjusting stud nuts.
7. Re-set the auger stripper plates to give approx. 5mm clearance from the auger flights.

NOTE:- When making this adjustment the auger to feed elevator clearance will also change. Before operating the machine, check that the auger and feed elevator do not hit each other, re-adjust the auger, or elevator if necessary.

7.2 ALIGNING HEADER DRIVE

Most modern combine's use a standard PTO shaft from the combine's elevator to the header.

With this system no shaft adjustment is required for alignment.

To fit the shaft simply press in the button of the coupling and push onto shaft. Ensure that the coupling seats correctly i.e. when the pin pops out again

The PTO shafts length is factory cut to suit the combine make and model, to ensure at least minimum engagements are obtained. If a fitted PTO shaft seems to have minimal tube engagements or you need to modify the length contact Shelbourne Reynolds.



Keep all PTO guards in place when operating.

Do not hang the shaft from the guard chain, use the support hook provided

JD American combine's.

9610, 9600 and 8820. To facilitate the use of a direct coupled PTO shaft a drive adaptor has to be fitted to the sprocket output on the feed elevator (KIT-00975). This simply bolts onto the sprocket and has an 1 & 1/8" A/F hexagonal stub ready to accept a PTO yoke.

9510, 9500, CTS and 7720. The drive arrangement on the header for these models once again uses a PTO shaft with an 1 & 1/8" A/F hexagonal yoke.

To enable this to couple to the feed elevators header drive shaft the sliding sprocket arrangement has to be removed. This will then expose an 1 & 1/8" A/F hexagonal shaft. A groove then needs to be filed or ground into the shaft to accept the PTO yokes quick release mechanism.

(Ref. Bulletin TSB-01051 and grinding jig kit KIT-00978)

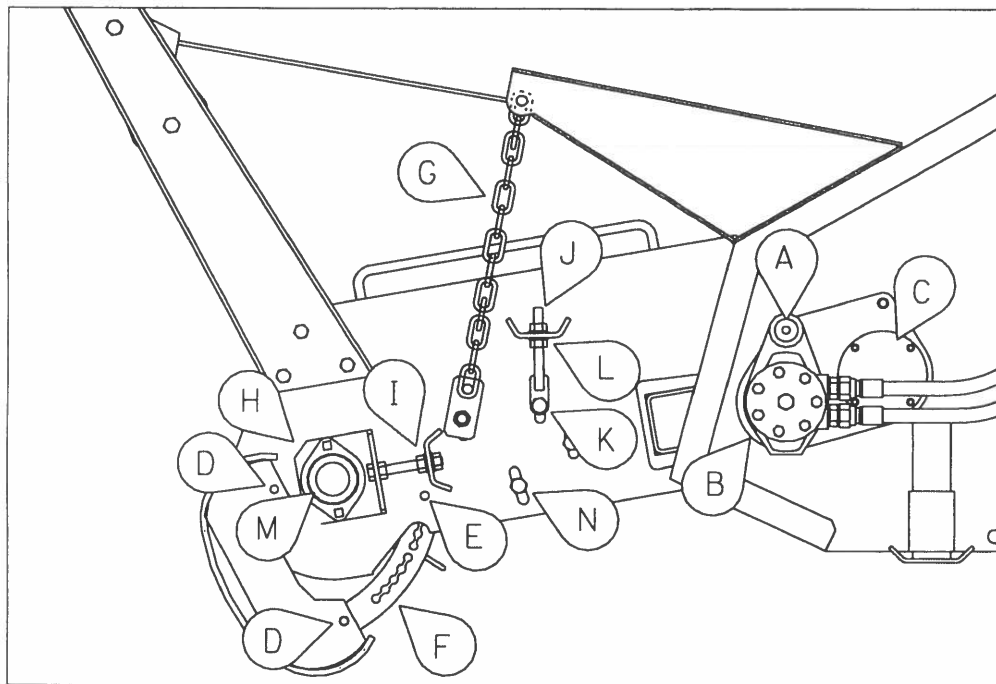
DRAPER

7.3 DRAPER POSITION.

As previously mentioned the draper can be set in two different positions. The following procedure should be used to change position ; (See Fig 2 and 3)

1. Remove draper drive motor, by simply removing mounting plate fixing bolt (fig 2 A) and then withdrawing motor and plate assembly from drive roller.
2. Remove stripper plate assembly from rear of draper (see section 7.12).
3. Support draper assembly with blocks or similar
4. If draper springs and wheels are fitted loosen and remove shock absorber and strap's top fastener (fig 3 A) from support bracket. Keep springs still attached and carrying most of the weight.
If chains fitted leave chain still attached also.
5. Loosen and remove the fasteners (fig 2 B) that hold the draper bearing supports on to both ends of the mainframe side sheets. Withdraw the bearing supports from the mainframe allowing the draper to be released.
6. Remove the cover plates fitted to the second position (fig 2 C).

FIG 2



7. Align the draper drive roller with this different position and insert bearing supports. Secure with fasteners.
8. Fit shock absorber and strap's top fastener into support bracket's second position.(fig 3 B)
9. Re fit stripper plate assembly, fitting spring hold down clips in second position
10. Fit draper drive motor in new position.
11. Replace cover plates to position now not used.
12. Adjust draper optimum angle if required if support chains fitted.

7.4 DRAPER SKID SETTINGS (OPTIONAL EQUIPMENT).

The draper skids fitted to the front corners of the draper frame can easily be adjusted to various heights.

They should be set to give a minimum distance of 50mm (2") from pick up tine tip to the ground when the skid is on the ground.

To adjust (see fig 2) -

1. With the machine on level concrete lower the header fully so that the skids touch the ground and the support chains are slack.
2. Check distance of pick up tine tip to ground level.



Support draper with something at this stage.

3. Loosen the two fasteners (D) slightly and remove fastener (E) on both ends of draper.

4. Using a different hole in the skid adjuster bar (F), move the skid to the height required.
5. Tighten fasteners.(D) and (E)

7.5 DRAPER WHEELS SETTINGS (OPTIONAL EQUIPMENT)

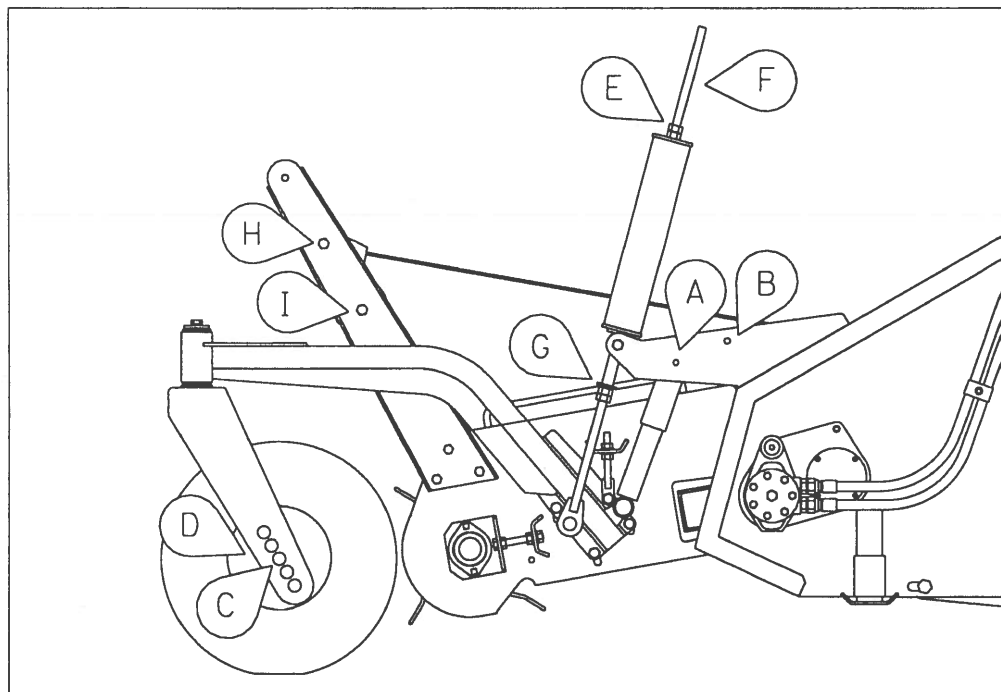
The draper wheels controlling the height of the tine to the ground can easily be adjusted.

There are 5 height positions for the wheel but initially it should be in the mid position which should give approximately 50mm (2").

To adjust (see fig.3)

1. Lift header fully and engage header lift cylinder stops. Failing this lift until wheels come clear of the ground and then block header for safety reasons.
2. Loosen and remove fastener (C) and spacer tubes (D). At this stage the wheel will need supporting.
3. Move wheel assembly to new position.
4. Secure wheel with fasteners and spacer tubes. Tighten fasteners.

FIG 3



7.6 SETTING DRAPER TO OPTIMUM ANGLE (OPTIONAL SKIDS FITTED).

The draper angle can be adjusted by increasing or decreasing the length of the support chains.

To set angle (see fig 2):-

1. Ensure that the header skids are in their fully raised position and the header is level fore and aft. (as discribed in section 7.1)

2. On level concrete lower the header so that the header skids are approx..100-150mm (4-6") above the ground.
3. Now adjust the support chain assemblies (G) so that both the draper skids just touch the ground.

IMPORTANT - Adjusting the angle of the draper could also adjust the tracking of the belt if both support chains are not adjusted exactly the same amount. See draper belt tracking (section 7.9).

7.7 SETTING DRAPER SPRINGS AND ANGULAR MOVEMENT (OPTIONAL WHEELS AND SPRINGS FITTED).

(See fig.3)

As previously explained the purpose of the springs is to carry 95% the weight of the draper assembly. The belts tracking is very sensitive to twisting of the two rollers within the draper frame. To allow the strong frame to remain as rigid as possible the springs relieve the weight. As it only takes hand force to lift the draper, shock absorbers are also fitted to dampen any bouncing effect.

The downward movement of the draper is limited by the strap fitted along side the shock absorber.

The upwards movement of the draper is adjustable.

Setting procedure -

1. Ensure that the draper assembly is fully down in the mainframe so that the strap alongside both the shock absorbers are taking the weight.
2. Set the amount of spring force by winding down the nuts (E) at the top of the stud adjuster (F)
The amount of spring force required varies on the width of the header and also if crop slides and steel tines are fitted or not.
Basically the springs need to take as much weight as possible but when raised and released the draper assembly needs to return to the fully down position
Below is a guide for a header with crop slides and plastic tines fitted.
Final adjustments might need making.

Header width	Spring compressed length (draper fully down position)
4.8Mt. (15')	355mm (14")
4.2Mt. (13')	390mm (15.25")
3.6Mt. (11')	430mm (17")

Note – Ensure both springs are adjusted to the same length.

A mechanical stop is built in to eliminate over compressing spring further than 340mm

3. After adjusting lock up nuts (E)
4. The amount of upwards travel is governed by the position of the sleeve assembly (G). This can simply be adjusted by un locking the lower nut and then turning the sleeve assembly up or down the stud adjuster.
Generally set the sleeve so that from draper fully down position the sleeve allows 100mm of upwards spring movement. This will allow the draper to rise to a horizontal position.



If ever stripping down the spring assembly **never** remove the top locknuts (E) without firstly relieving the spring tension by moving the sleeve assembly (G) as far down the stud adjuster as possible (F)
Strip down spring assembly off the header.

7.8 DRAPER BELT TENSIONING.

The conveyor belt is tensioned by adjusting the position of the idle roller within the draper frame. (See fig 2). Tension is applied by loosening all fasteners holding adjusting plate (H) to the draper frame and then adjusting the position of the nuts on the studding (I). When the belt is tensioned correctly it should experience 0.3 - 0.4 % elongation. By this if the belt in the relaxed untensioned state is marked in two places exactly 0.5 metre apart. Then when tensioned the marks should be 501 - 502mm apart.

Ensure that both ends of the belt are tensioned to the same amount.

The draper belt is fitted with side seals which fit to the draper side plates on slotted brackets. These seals continue around the front roller. If the belt tension is adjusted the seals should also be moved. Set the seals so that the front section just clears the belt by 1-2mm (1/16").



Note – failure to move the seals will cause belt damage !

7.9 DRAPER BELT TRACKING.

Belt tracking is controlled by three factors on the pick up header ; (See fig 2)

1. Tensioning devices on both ends of idle roller (H & I).
Ensure that the idle roller when in correct tension is parallel to the drive roller.
2. Crowned drive roller.
This means that the belt is always influenced to track to the centre by using a crowned drive roller. The roller has tapered end sections leaving a parallel middle portion.
This feature is not adjustable by the operator.
3. Tracking adjuster stud (J).
This adjuster has the effect of twisting the front roller in relation to the rear roller.
If skids are fitted firstly ensure that the support chains (G) are identical in length. Run the header in a raised position so that the draper support chains are taught or the wheels (if fitted) are clear of the ground and draper is fully down on stops.
If the belt moves to one side and is forced onto the roller disc, track the belt to the centre by slightly increasing the distance between the adjuster pivot (K) and the adjuster locknuts (L). This will have the effect of lifting the front roller on the adjusted side.
(Obviously the opposite adjustment on the other end side plate would have the same effect)
Allow the belt time to re-track and adjust again if necessary. Ensure that if the belt is moving away from one end roller disc, it is moving closer to the opposite end I.E. check that the complete belt is moving and not just compressing in width from one side. Finally run draper to max..speed and check belt tracking

This principal will mean that when picking up a swath if only one draper skid happens to ground the belt will adjust its tracking. When that skid then clears the ground and the support chain goes taught the belt will re-track to the middle again.

With the wheels fitted the tracking should not adjust.

7.10 CHANGING DRAPER BELT.

If at some time it is required to remove or replace the draper belt use the following procedure ;

1. Remove the draper drive motor by removing the mounting plate fixing bolt (fig 2 A), then withdraw motor and plate assembly from the drive roller.
2. Support draper assembly with blocks or similar. If wheels are fitted ensure draper assembly is fully raised then blocked.
3. Remove the crop slides if fitted
4. Remove the support chains or the spring and shock absorber fixing to the draper.
5. Loosen and remove the fasteners that hold the draper bearing supports (fig 2. B) on to both ends of the mainframe side sheets. Withdraw the bearing supports, allowing the complete draper assembly to be separated from the mainframe.
6. Remove draper belt tension using opposite procedure as previously described in section 7.8
7. Remove the stripper plate as described in section 7.12.
8. From one end of the draper only, remove ;
 - (a) the idle roller bearing locking ring (see fig 2. M)
 - (b) the draper belt side seal and bracket.
 - (c) the fasteners (x5) holding the side plate to the draper frame (see fig 2. N)
9. This will allow the draper side sheet to be withdrawn from the draper frame and rollers. The belt can then be removed.

IMPORTANT - Ensure that the pick up tines are previously fitted to the replacement belt prior to re-assembly.

10. Install new belt onto rollers and reassemble in reverse order of the above, ensuring correct orientation of tines.
11. Tension and track the belt as described in sections 7.8 & 7.9.

7.11 CHANGING DRAPER PLASTIC PICK UP TINES

If a plastic draper finger is damaged or needs replacing ensure that the removal is carried out when the tine is positioned on one of the rollers. The reason for this is that the finger is simply secured to the belt by means of a large flat headed bolt. If a finger is removed between rollers the bolt will fall into the draper and cannot easily be re-positioned.

Ensure that when fitting fingers the square shank on the bolt engages into the square hole on the finger.

7.12 STRIPPER PLATE SETTINGS.



Fully raise header and engage safety latch.

The stripper plate is mounted to the rear of the draper side sheets. It is mounted on bushes to allow it to pivot. The back of the stripper plate is forced down onto the auger pan by five spring plates.

To move the position of the stripper plate ;

1. Firstly remove the spring plates.
2. Remove the fasteners through the bush where the stripper fixes to the draper side plates.
3. Re-fit stripper into different position using reverse procedure.
4. Re-fit the spring plates.

NOTE - The spring plates have two sets of fixing holes. These would be used when the draper position is moved to the rear setting.

On to the stripper plate is bolted a canvas edging strip. This strip has slots punched into it so that it can be moved closer to the fingers when it gets worn.

7.13 HEADER SKIDS.

Both header skids are secured to the mainframe by fasteners through slotted holes. This will allow the skids to be adjustable in height.

Ensure both skids are set to the same setting.

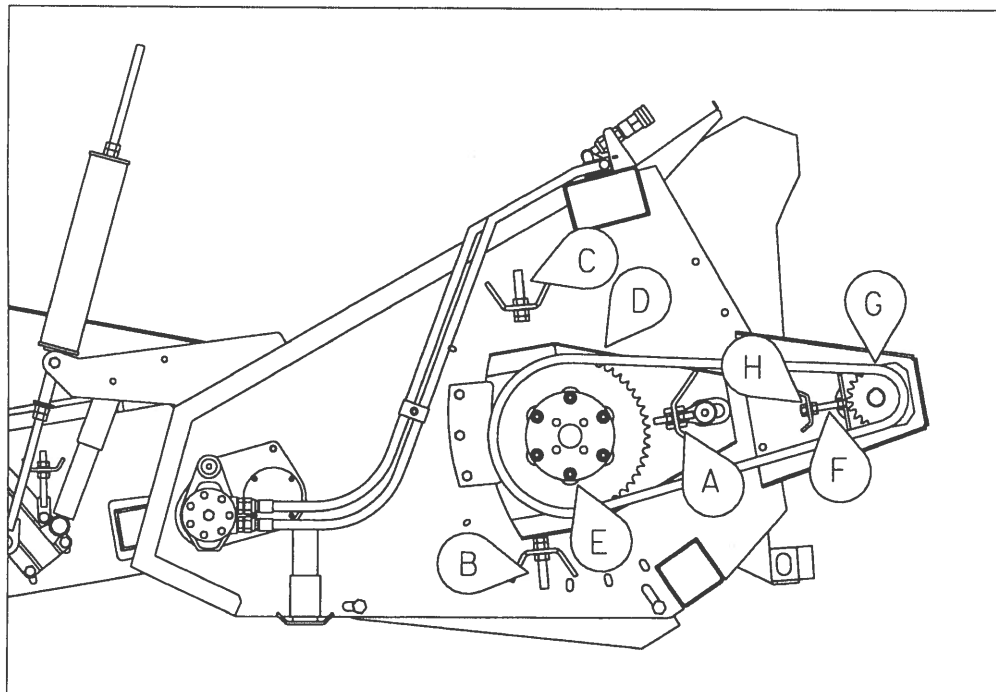


When setting skids always have header in the fully raised position and engage lift cylinder safety latch's.

7.14 AUGER POSITION / FLOAT SETTING

The auger position is factory set with float giving 20mm min and 40mm max. auger clearance. This pre-set position should be suitable for most crops and conditions, however, if the position needs to be altered the auger can be adjusted. (see fig 4)

FIG 4.



Note - Slacken all stripper plate securing bolts if auger is moved back. Moving auger forwards will tension the drive chain. Relieve tension before moving auger forwards, See section 7.19

1. Adjuster (A) will move the augers fore and aft position. Simply adjust the locking nuts position.
Adjust both ends of the auger to equal amounts.
2. The minimum auger clearance is set by the adjuster (B) and the maximum clearance is set on adjuster (C). To move simply adjust the locking nuts equally both sides
3. To lock off the auger float simply set the minimum clearance and then adjust (C) to touch the top of the auger support plate (D).
4. Tighten lock nuts when adjustment is complete.
5. Check and reset auger stripper plates.
6. Check and reset auger drive chain tension (See section 7.19)

IMPORTANT.

After adjusting the auger, it should be rotated by hand to ensure that nothing on the auger fouls.

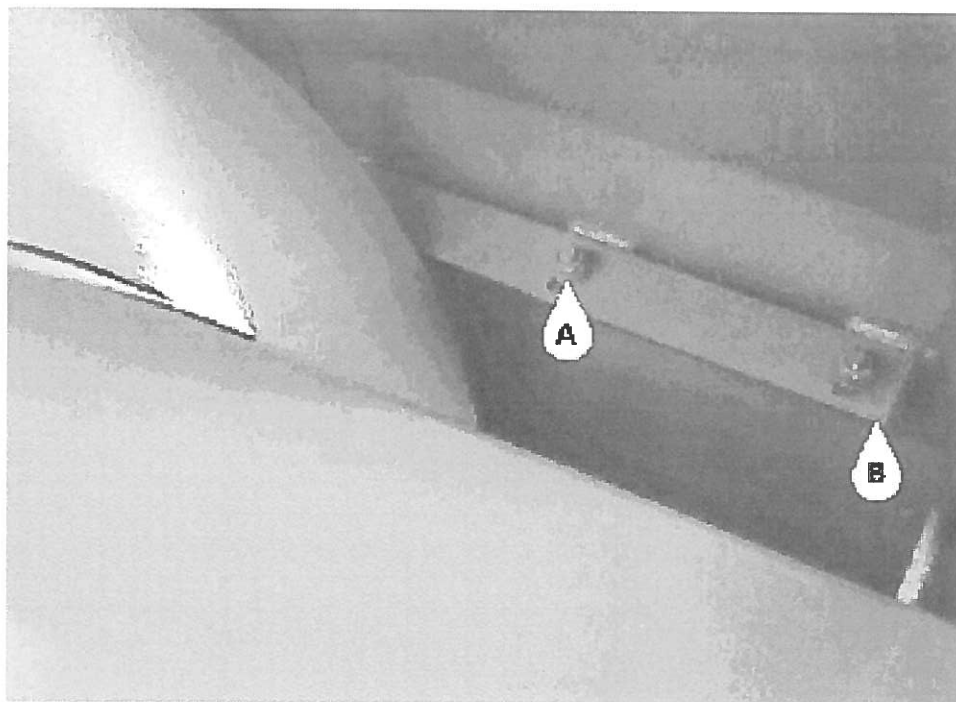
7.15 AUGER FINGERS

The position of the auger finger retraction is pre-set at the factory. It is adjusted by moving the handle situated on the right hand side of the mainframe. To adjust it, slackening off the bolt on the handle and move the handle to the required position.

7.16 AUGER STRIPPER PLATES

The stripper plates (B) are behind the auger across the width of the machine, except for the centre opening (See fig 5). These should be set approximately 5mm from the auger flight. They are adjusted by slackening all the bolts (A) on the stripper plate and moving it on the slots before re-tightening. The stripper plate on the adaptor plate is adjusted independently to the same clearance.

FIG 5.



7.17 AUGER FINGERS AND FLIGHT EXTENSIONS

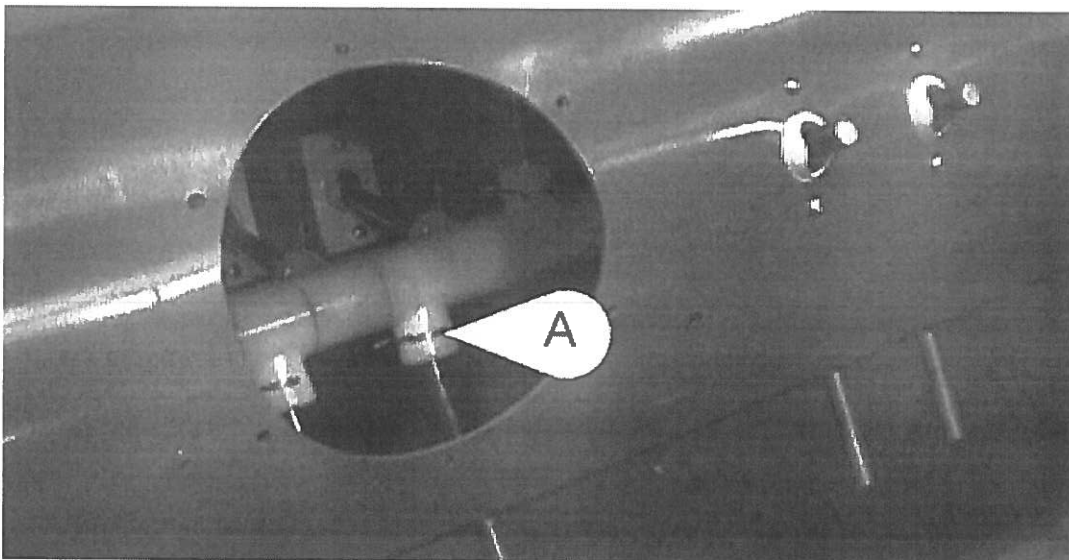
To remove the fingers; see fig 6.

1. Remove the cover plates near the auger centre.
2. Remove the 'R' clip (A) securing the finger in the plastic holder, and pull the finger out of the holder.
3. To prevent dust and particles filling the auger tube through the remaining hole, remove the ball guide from the auger tube and replace with a blanking plate. (Pt No. 190735 01)
4. When enough fingers have been removed, replace the auger cover plates.

The header is supplied with bolt on 90 degree flight extensions. For combine's with wide feed elevators they should be removed. The fasteners that fix the extensions to the auger tube should be replaced, once the flight extensions have been removed, to fill the fixing holes.

If the auger flights need extending in further than the 90 degree extension then a 180 degree extension is available to fit in its place. These are available through your SRE dealer and are part no's
200328 01 - LH flight extension.
200328 02 - RH flight extension.

FIG 6.



7.18 AUGER SLIP CLUTCH SETTING

Both width headers have an auger drive clutch fitted with 6 compression springs. The spring length is pre-set by a spacer.

Never modify the length of the spacer.

To check the adjustment of the springs:-

1. Firstly remove chain guard.
2. Loosen the outer lock nut on each bolt. See fig 4.(E).
3. Turn the inner nut until the spring is compressed to the length of the spacer.
4. Tighten the outer lock nut.



Replace guard afterwards.

Note;

If the clutch has slipped excessively the clutch plate teeth may be worn, in which case they must both be replaced.

7.19 AUGER CHAIN TENSIONING

The chain is tensioned by moving the position of the rear shaft backwards. The rear shaft has been positioned so that where ever the auger floats too it makes no variation in the chain length.

To adjust tension ; See fig 4.

1. Remove chain guard from header.
2. Loosen 2 of bearing fixing bolts (G) on both drive support plate.
3. Tension chain by moving shaft by adjusting lock nuts (H) on adjuster (F).
Note – Ensure that both drive support plate adjusters are moved to equal amounts to keep sprocket alignment correct.
3. When correct tension is achieved tighten lock nuts (H) and bolts (G)



Replace guard afterwards.

7.20 DRAPER METAL TINES AND SLATS (OPTIONAL EQUIPMENT).

The pick up header has plastic draper tines fitted as standard. These are the preferred tine system. If a condition is experienced when the tines are not aggressive enough and do not recover all the swath then steel tines and slats can be fitted instead. Contact your SRE dealer if required. KIT-01605 4.2Mt (13')
KIT-01606 4.8Mt (15')

To change over remove a complete row of plastic tines (while positioned on the front roller)

See section 7.11

Position on the metal slat over the existing bolts, ensuring the longer over 90 degrees folded flange is the leading face.

Note both width headers use a slat plus an extra piece to make up the headers width.

In this situation, the gap between slat and extra piece needs to alternate from one end of the header to the other on each row.

Fit metal tine, cup washer and existing nut and tighten.

7.21 CROP SLIDES (OPTIONAL EQUIPMENT)

Crop slides can be fitted to the draper side frame.

The spring steel wires are simply clamped to the cross tube assembly and have a swollen end to stop them from being pulled out

This cross tube can be positioned in three different height settings depending on how bulky the swath is.

The angle of the wires to the belt is also adjustable.

(See fig 3)

1. To adjust angle loosen fastener (H) at both ends and remove (I).

2. Rotate crop slides to new position and replace fastener (I).
Tighten all fasteners.



If moving height position adjust one end at a time. Loosen fastener at other end first.

SECTION 8

LUBRICATION

Your Shelbourne Reynolds Pick up Header is designed to reduce down time and therefore requires the minimum amount of lubrication.

Most of the bearings are of the sealed type, requiring no maintenance.



CAUTION - Stop engine before lubricating.

CHAIN

The auger drive chain should be lubricated daily and after work so that the oil will adhere to the chain to provide good lubrication.

Use an aerosol chain lubricant or SAE 90 gear oil.

Grease the following points at 10 hour intervals;

1. PTO universal joints.

Grease the following points at 50 hour intervals;

1. Draper wheels castor yoke pivot (optional equipment if fitted).

NOTE:- Grade of grease to be used - Mobilux EP3 or equivalent.

SECTION 9

STORAGE OF THE HEADER

The following procedure should be followed prior to off-season storage of your pick up header to preserve and protect your machine.

1. Remove the pick up header from the combine feeder housing, either onto a trailer or on adequately supportive blocks to prevent header damage.
2. Thoroughly clean the interior and exterior of the header, as any chaff, straw and dirt left on the machine will draw moisture and cause corrosion.
3. Remove conveyor belt tension to prevent it from taking a permanent set.
4. Lubricate the machine thoroughly as described in the lubrication section of this manual.
5. Coat all the bright parts with paint or anti-rust preservative to protect them.

IMPORTANT; DO NOT PUT ANY OIL, PAINT, PRESERVATIVE ETC ON THE PLASTIC BELTING OR FINGERS AS IT MAY DAMAGE THEM

6. Store the header in a dry place protected from the weather and rodents.
7. Use the combine operators manual for storage procedure of your combine.

SECTION 10

PARTS LISTING

PICK UP HEADER PARTS MANUAL

Your Shelbourne Reynolds pick up header is designed to fit many different types of combine.

For this reason the machine number index is broken down into sections for identification. Your machine numbers are listed below:

HEADER SERIAL NO. _____

HEADER MACHINE NO. _____

ADAPTOR PLATE NO. _____

DRIVE KIT NO. _____

OTHER KIT OPTIONS _____

This manual contains all parts common to the pick up header and is used in conjunction with the combine fittings manual, which contains the adaptor plate, and drive kit parts and fitting, and any other options available.

Machine Identification

The pick up header machine identification number is engraved on a plate located on the right hand side sheet of the mainframe.

The adaptor plate has a plate on the top right hand corner also with the adaptor plate assembly number engraved on it.

The drive kit can be identified by description, and use of the drive kit identification number marked above.

Ordering Spare Parts

To ensure that you order the correct part from your SRE dealer please use the following procedure.

ALWAYS QUOTE THE MACHINE AND SERIAL NUMBERS WHEN ORDERING.

Refer to the front pages of the parts lists, decide if the part you want is on the:

Pick up Header
Adaptor Kit
Drive Kit

If your part is on the Adaptor Kit, identify by matching the part number from the adaptor plate with that in the top left hand corner of the parts lists. You will find the appropriate drawing accompanying the parts list.

If the part you require is on the drive kit, ensure that you have the parts listing for the

correct combine model. Then progress through to the next drawing following that list, for indication of that part.

If the part you require is on the pick up header assembly, identify the appropriate assembly by matching the part number from the pick up header with the page with the same number marked on the top left hand side.

Use the following sub assembly numbers and descriptions to find the area of the machine that your part is required, i.e. you need a part which is fitted to the auger, your part will be in the auger assembly parts list.

Having decided which sub-assembly your part should be under, use the number beside that sub-assembly description which will begin with 2090-- -- to find the parts listing of the sub-assembly further on in the manual. The number will be printed in the top left hand corner, the sub-assemblies are in numerical order.

Having found the correct parts list, you will find the corresponding drawing by processing through the manual to the next drawing.

The drawings indicate the components by item numbers which you will find are repeated in the left hand side of your parts listing, and therefore referring to the correct part.

Pick Up Header Kit List

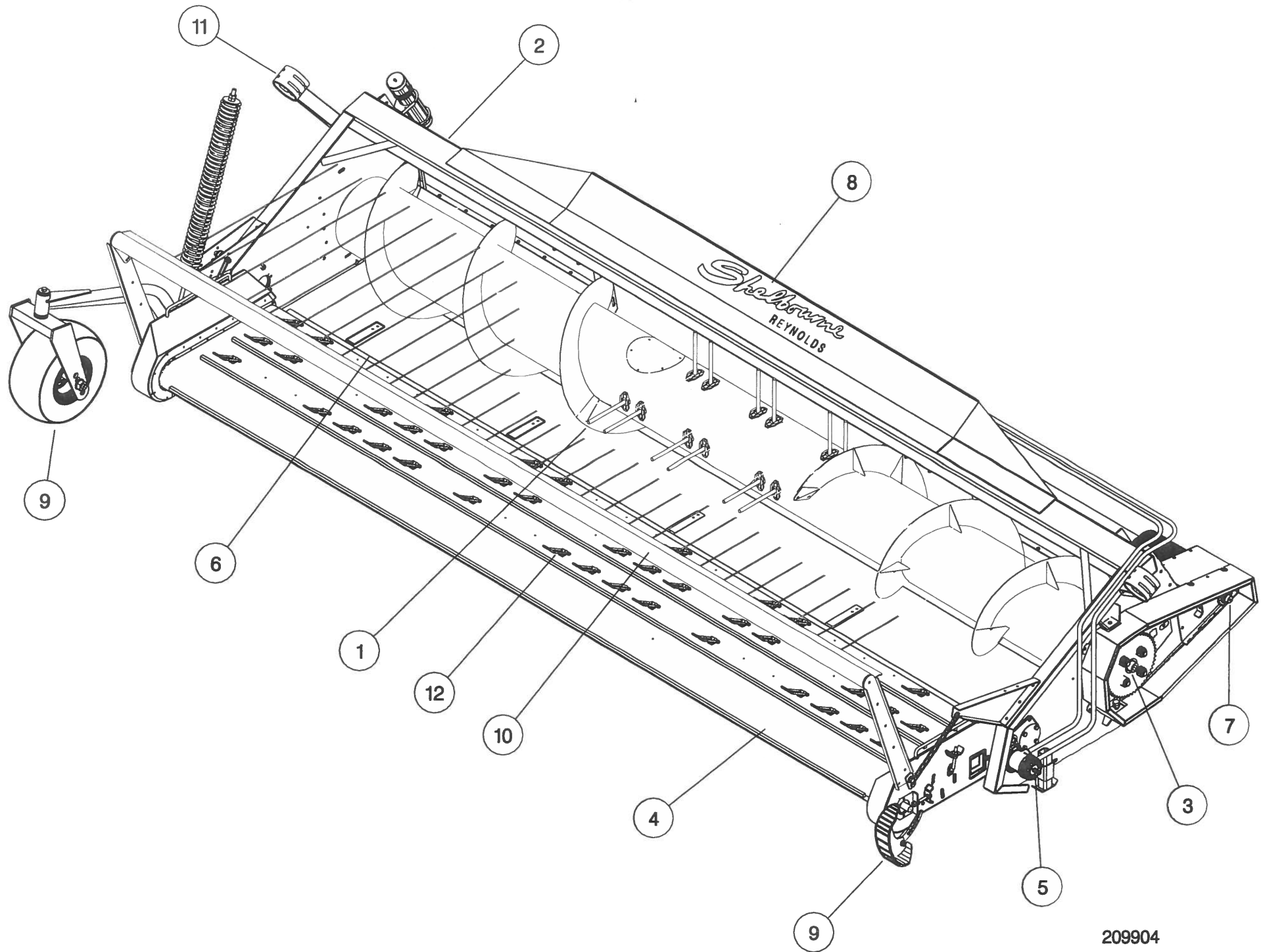
209904 02	Pick Up Header Assembly 4.2m
209904 03	Pick Up Header Assembly 4.8m
209000 06	4.2m Draper Belt Sub Assembly
209000 07	4.8m Draper Belt Sub Assembly
209014 01	Emblems Sub Assembly
209016 02	Auger Sub Assembly 4.2m
209016 03	Auger Sub Assembly 4.8m
209017 02	Draper Assembly 4.2m
209017 03	Draper Assembly 4.8m
209019 01	Auger Mounting And Drive Sub (Mechanical)
209021 01	Conveyor Assembly Mounting And Drive Sub Assembly
209022 01	Draper Skids And Support Chains Sub Assembly
209023 01	Draper Wheels And Springs Sub Assembly
209024 02	Crop Slides Sub Assembly 4.2m
209024 03	Crop Slides Sub Assembly 4.8m
209025 02	Stripper Plate Sub Assembly 4.2m
209025 03	Stripper Plate Sub Assembly 4.8m
209027 12	Frame And Parts Sub Assembly 4.2m
209027 13	Frame And Parts Sub Assembly 4.8m
209028 02	Header Lights Sub Assembly 4.2m
209028 03	Header Lights Sub Assembly 4.8m
209029 01	Mechanical Auger Drive
209030 01	Draper Wheels And Springs Sub Assembly (USA)
209031 02	Draper Hydraulics Sub Assembly 4.2m
209013 03	Draper Hydraulics Sub Assembly 4.8m
209032 01	Mechanical Auger Drive
KIT-00117	Auger Drive/Sprocket Clutch
KIT-01605	Draper Metal Tine/Slat Kit 4.2m
KIT-01606	Draper Tine/Slat Kit 4.8m

Shelbourne Reynolds Engineering Limited

ASSY NUMBER:		209904 02		ASSY DESCRIPTION: PICK-UP HEADER ASSY (4.2M)			
ITEM	PART NO	DESCRIPTION	QTY	ITEM	PART NO	DESCRIPTION	QTY
1	209016 02	AUGER SUB ASSY	1				
2	209027 12	FRAME & PARTS	1				
3	209019 01	AUGER MOUNTING & DRIVE	1				
4	209017 02	DRAPER SUB ASSY	1				
5	209021 01	DRAPER MOUNTING & DRIVE	1				
6	209025 02	STRIPPER PLATE SUB ASSY	1				
7	209029 01	MECHANICAL AUGER DRIVE	1				
8	209014 01	EMBLEMS SUB	1				
9	209031 02	DRAPER HYDRAULICS (4.2M) (2004 & ON)	1				
		<u>OPTIONAL EQUIPMENT</u>					
10	209022 01	DRAPER SKIDS & SUPP.CHAINS	1				
OR							
10	209023 01	DRAPER WHEELS & SPRINGS	1				
OR							
10	209030 01	DRAPER WHEELS & SPRINGS (USA)	1				
11	209024 02	CROP SLIDES SUB	1				
12	209028 02	HEADER LIGHTS SUB	1				
13	KIT-01605	DRAPER METAL TINE KIT	1				

Shelbourne Reynolds Engineering Limited

ASSY NUMBER: 209904 03		ASSY DESCRIPTION: PICK-UP HEADER ASSY (4.8M)					
ITEM	PART NO	DESCRIPTION	QTY	ITEM	PART NO	DESCRIPTION	QTY
1	209016 03	AUGER SUB ASSY	1				
2	209027 13	FRAME & PARTS	1				
3	209019 01	AUGER MOUNTING & DRIVE	1				
4	209017 03	DRAPER SUB ASSY	1				
5	209021 01	DRAPER MOUNTING & DRIVE	1				
6	209025 03	STRIPPER PLATE SUB ASSY	1				
7	209029 01	MECHANICAL AUGER DRIVE	1				
8	209014 01	EMBLEMS SUB	1				
9	209031 03	DRAPER HYDRAULICS (4.8M) (2004 & ON)	1				
		<u>OPTIONAL EQUIPMENT</u>					
10	209022 01	DRAPER SKIDS & SUPP.CHAINS	1				
OR							
10	209023 01	DRAPER WHEELS & SPRINGS	1				
OR							
10	209030 01	DRAPER WHEELS & SPRINGS (USA)	1				
11	209024 03	CROP SLIDES SUB	1				
12	209028 03	HEADER LIGHTS SUB	1				
13	KIT-01606	DRAPER METAL TINE KIT	1				

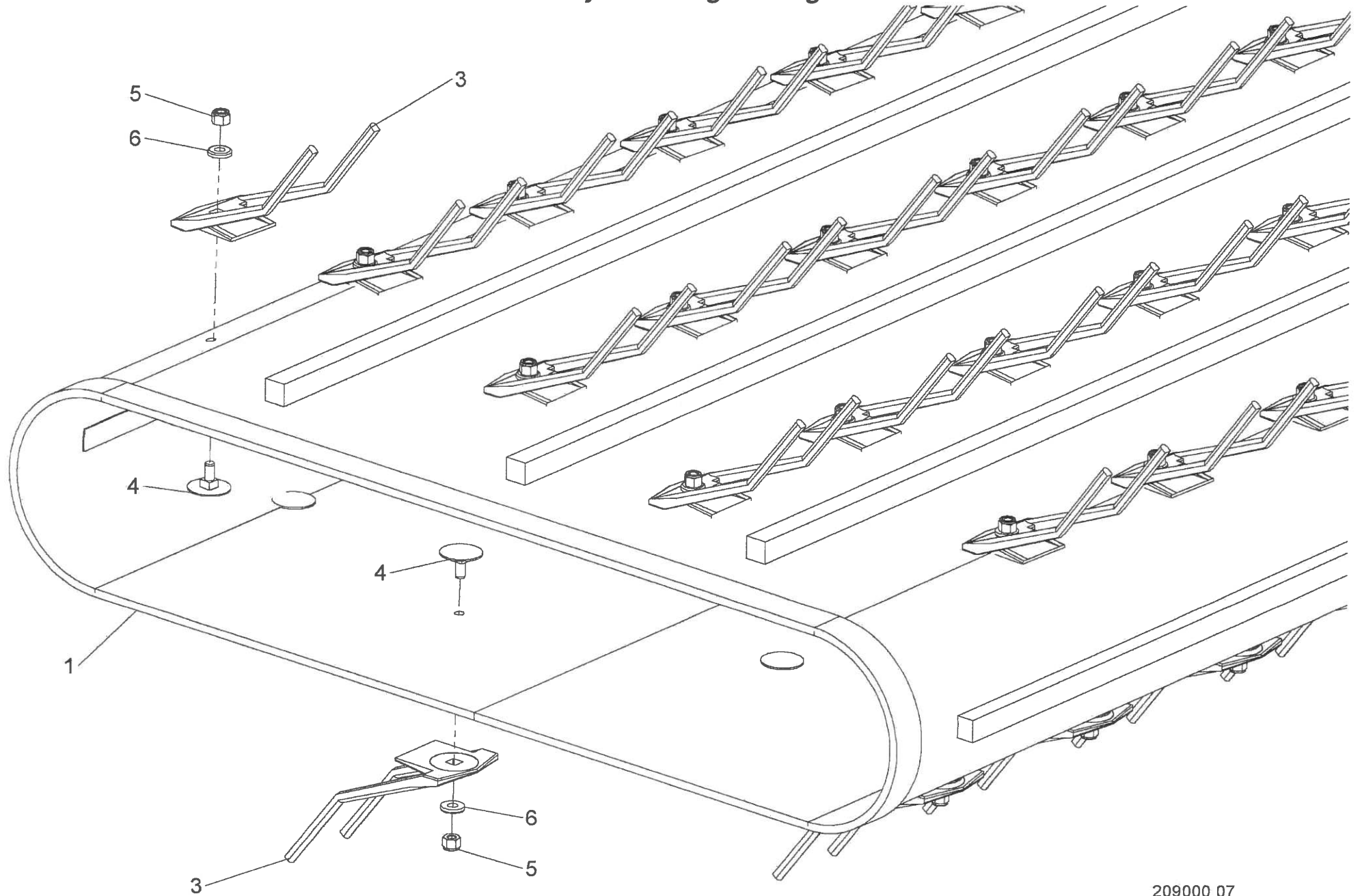


209904

Shelbourne Reynolds Engineering Limited

ASSY NUMBER: 209000 06				ASSY DESCRIPTION: 4.2 DRAPER BELT SUB ASS			
ITEM	PART NO	DESCRIPTION	QTY	ITEM	PART NO	DESCRIPTION	QTY
1	200376 02	DRAPER BELT 4.2M/C	1				
2							
3	TIN-0020A	PLASTIC PICK UP TINE 2015 & ON	204				
OR	TIN-0020	PLASTIC PICK UP TINE PRE 2015	204				
4	SCW-6000	ELEVATOR BOLT	204				
5	NUT-0215	NYLOC NUT	204				
6	WSH-0110	1/4" PLAIN WASHER	204				

Shelbourne Reynolds Engineering Limited



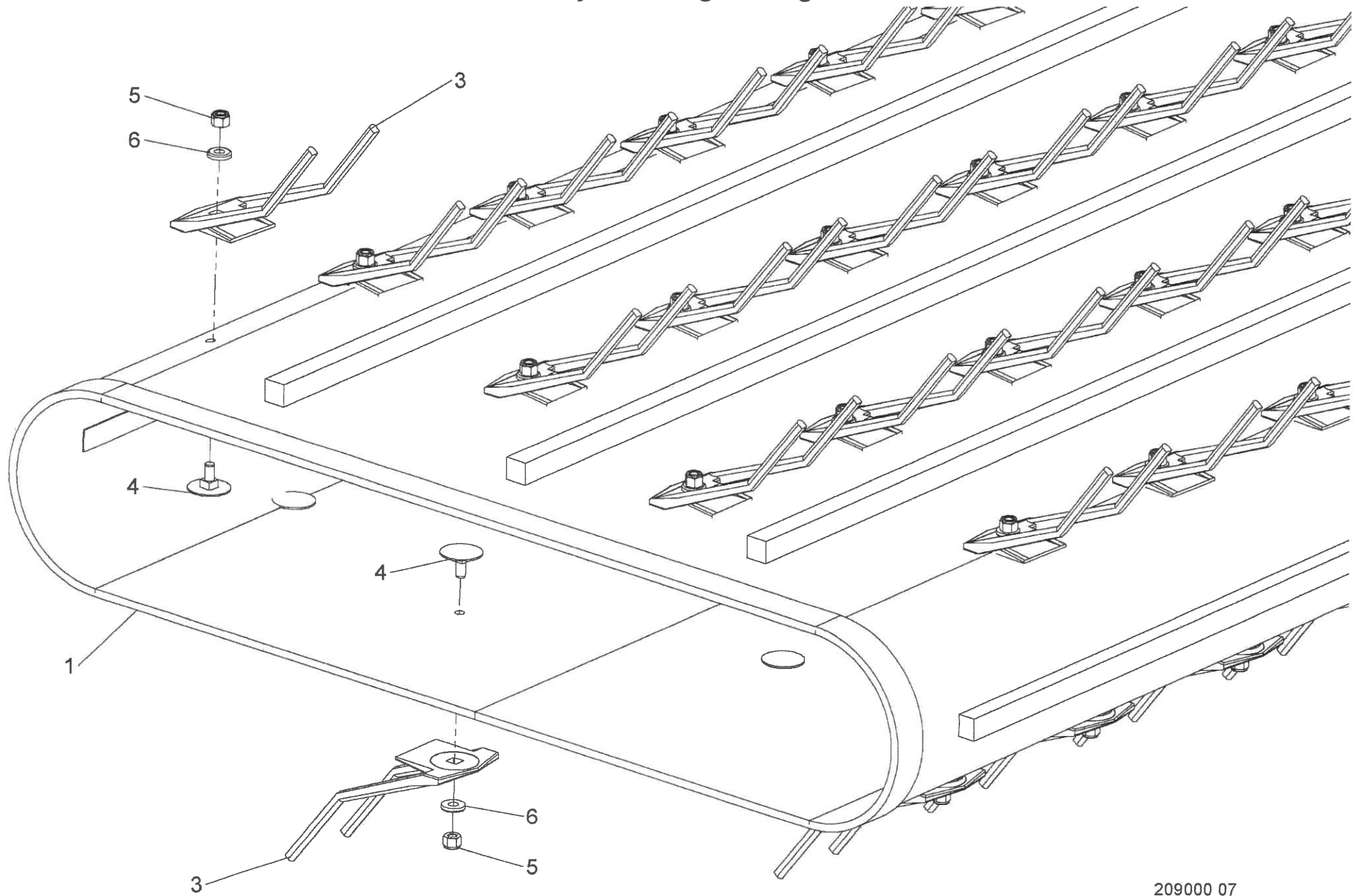
209000 07
209000 06
209000 05



Shelbourne Reynolds Engineering Limited

ASSY NUMBER: 209000 07				ASSY DESCRIPTION: 4.8 DRAPER BELT SUB ASS			
ITEM	PART NO	DESCRIPTION	QTY	ITEM	PART NO	DESCRIPTION	QTY
1	200376 01	DRAPER BELT 4.8M/C	1				
2							
3	TIN-0020A	PLASTIC PICK UP TINE 2015 & ON	236				
OR	TIN-0020	PLASTIC PICK UP TINE PRE 2015	236				
4	SCW-6000	ELEVATOR BOLT	236				
5	NUT-0215	NYLOC NUT	236				
6	WSH-0110	1/4" PLAIN WASHER	236				

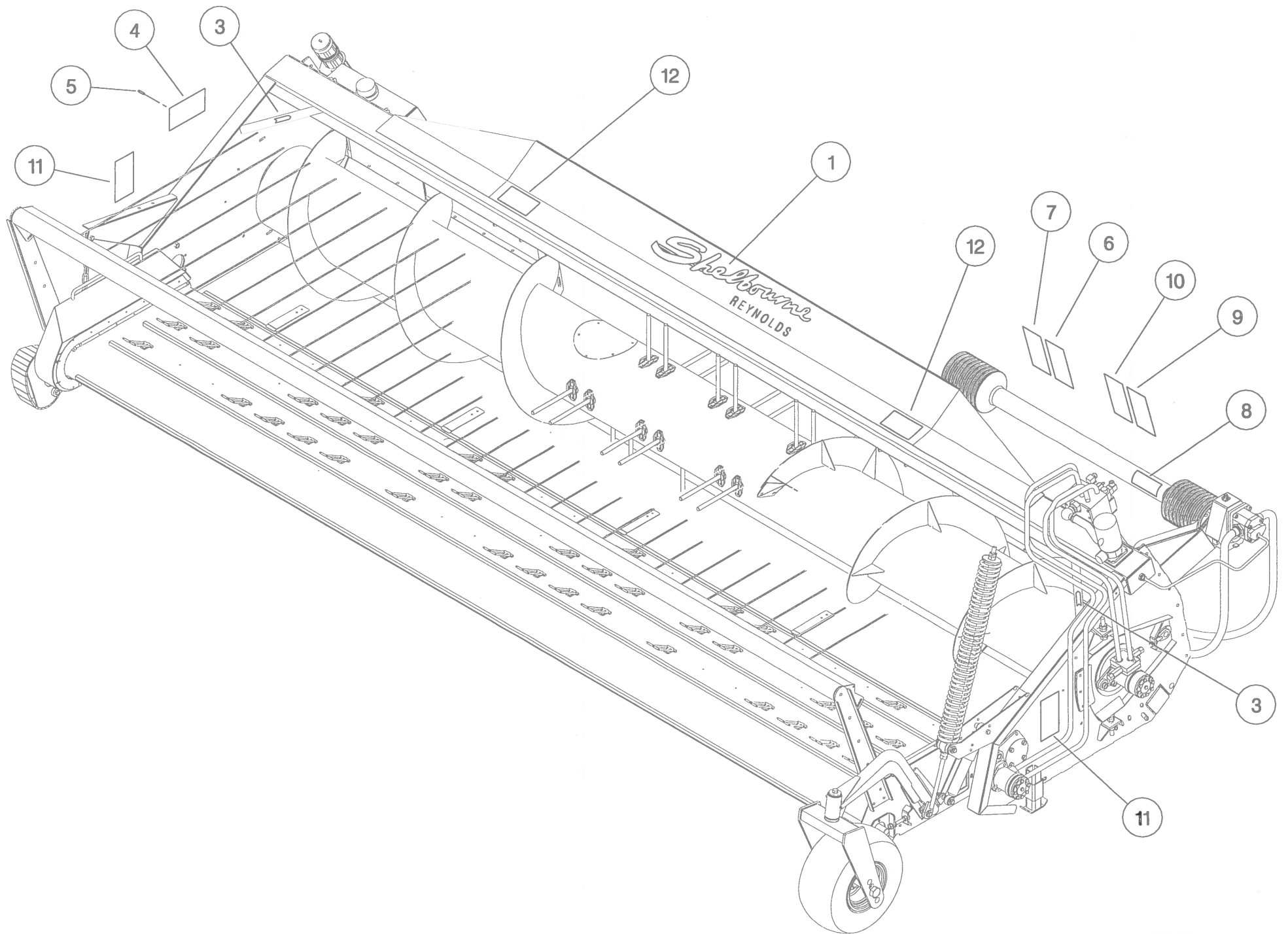
Shelbourne Reynolds Engineering Limited



209000 07
209000 06
209000 05

Shelbourne Reynolds Engineering Limited

ASSY NUMBER:		209014 01		ASSY DESCRIPTION:		EMBLEMS SUB	
ITEM	PART NO	DESCRIPTION	QTY	ITEM	PART NO	DESCRIPTION	QTY
1	198764 01	EMBLEM (SR GREY) (2013 & ON)	1				
OR	191981 01	EMBLEM (SR RED) (UPTO 2013)	1				
2							
3	190702 04	EMBLEM (SLING POINT)	2				
4	134024 05	IDENTIFICATION PLATE	1				
5	POP-0006	POP RIVET	4				
6	193390 01	EMBLEM (DONT HANG CHAIN)	1				
7	193391 01	EMBLEM (PTO GUARD)	1				
8	127075 12	EMBLEM (GREASE 10 HOURS)	1				
9	610250 01	EMBLEM (SAFETY MAINTENANCE)	1				
10	610257 01	EMBLEM (READ MANUAL)	1				
11	193393 01	EMBLEM (AUGER DANGER)	2				
12	200291 01	EMBLEM (KEEP CLEAR)	2				



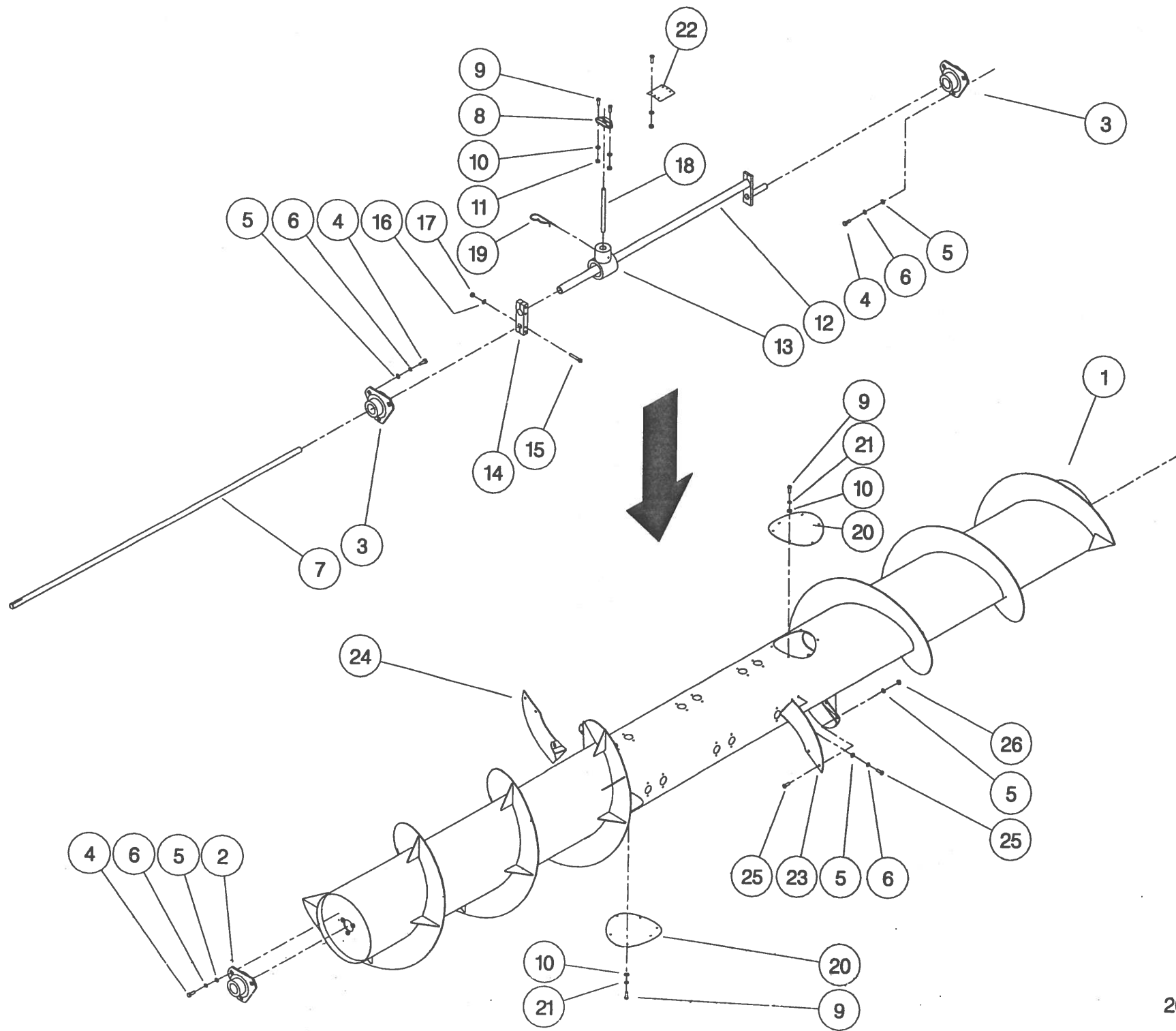
209014

Shelbourne Reynolds Engineering Limited

ASSY NUMBER:		209016 02		ASSY DESCRIPTION:		AUGER ASSY SUB 4.2M (2000)	
ITEM	PART NO	DESCRIPTION	QTY	ITEM	PART NO	DESCRIPTION	QTY
1	200362 01	AUGER WELD ASSY	1	23	195143 01	LH AUGER FLIGHT EXTENSION	1
2	BRG-0218	BEARING	1	24	195143 02	RH AUGER FLIGHT EXTENSION	1
3	BRG-7080	BEARING	2	25	SCBA08172	BUTT. SKT.HD.SCREW	8
4	HSS-0140	SET SCREW	9	26	NUT-0263	NYLOC NUT	4
5	WSH-0012	PLAIN WASHER	17				
6	WSH-0058	SPRING WASHER	13				
7	192223 05	AUGER SHAFT	1				
8	AUG-00500	AUGER FINGER GUIDE					
		(16 FINGERS OPTION)	16				
OR		(20 FINGERS OPTION)	20				
OR		(24 FINGERS OPTION)	24				
9	SCW-4960	BUTT.HD.SKT.SCREW	60				
10	WSH-0009	PLAIN WASHER	60				
11	NUT-0260	NYLOC NUT	48				
12	200331 01	AUGER CRANK	1				
13	AUG-02500	FINGER HOLDER	24				
14	200329 01	CLAMP BLOCK	1				
15	SCCA10412	CAP.HD.SKT.SCREW	4				
16	WSH-0015	PLAIN WASHER	4				
17	NUT-0265	NYLOC NUT	4				
18	200332 01	AUGER FINGER					
		(16 FINGERS OPTION)	16				
OR		(20 FINGERS OPTION)	20				
OR		(24 FINGERS OPTION)	24				
19	AUG-03000	HAIRPIN COTTER					
		(16 FINGERS OPTION)	16				
OR		(20 FINGERS OPTION)	20				
OR		(24 FINGERS OPTION)	24				
20	200323 01	COVER PLATE	2				
21	WSH-0056	SPRING WASHER	12				
22	190735 01	BLANKING PLATE					
		(16 FINGERS OPTION)	8				
OR		(20 FINGERS OPTION)	4				
OR		(24 FINGERS OPTION)	0				

Shelbourne Reynolds Engineering Limited

ASSY NUMBER:		209016 03		ASSY DESCRIPTION:		AUGER ASSY SUB 4.8M (2000)	
ITEM	PART NO	DESCRIPTION	QTY	ITEM	PART NO	DESCRIPTION	QTY
1	200321 01	AUGER WELD ASSY	1	23	195143 01	LH AUGER FLIGHT EXTENSION	1
2	BRG-0218	BEARING	1	24	195143 02	RH AUGER FLIGHT EXTENSION	1
3	BRG-7080	BEARING	2	25	SCBA08172	BUTT. SKT.HD.SCREW	8
4	HSS-0140	SET SCREW	9	26	NUT-0263	NYLOC NUT	4
5	WSH-0012	PLAIN WASHER	17				
6	WSH-0058	SPRING WASHER	13				
7	192223 06	AUGER SHAFT	1				
8	AUG-00500	AUGER FINGER GUIDE					
		(16 FINGERS OPTION)	16				
OR		(20 FINGERS OPTION)	20				
OR		(24 FINGERS OPTION)	24				
9	SCW-4960	BUTT.HD.SKT.SCREW	60				
10	WSH-0009	PLAIN WASHER	60				
11	NUT-0260	NYLOC NUT	48				
12	200331 01	AUGER CRANK	1				
13	AUG-02500	FINGER HOLDER	24				
14	200329 01	CLAMP BLOCK	1				
15	SCCA10412	CAP.HD.SKT.SCREW	4				
16	WSH-0015	PLAIN WASHER	4				
17	NUT-0265	NYLOC NUT	4				
18	200332 01	AUGER FINGER					
		(16 FINGERS OPTION)	16				
OR		(20 FINGERS OPTION)	20				
OR		(24 FINGERS OPTION)	24				
19	AUG-03000	HAIRPIN COTTER					
		(16 FINGERS OPTION)	16				
OR		(20 FINGERS OPTION)	20				
OR		(24 FINGERS OPTION)	24				
20	200323 01	COVER PLATE	2				
21	WSH-0056	SPRING WASHER	12				
22	190735 01	BLANKING PLATE					
		(16 FINGERS OPTION)	8				
OR		(20 FINGERS OPTION)	4				
OR		(24 FINGERS OPTION)	0				

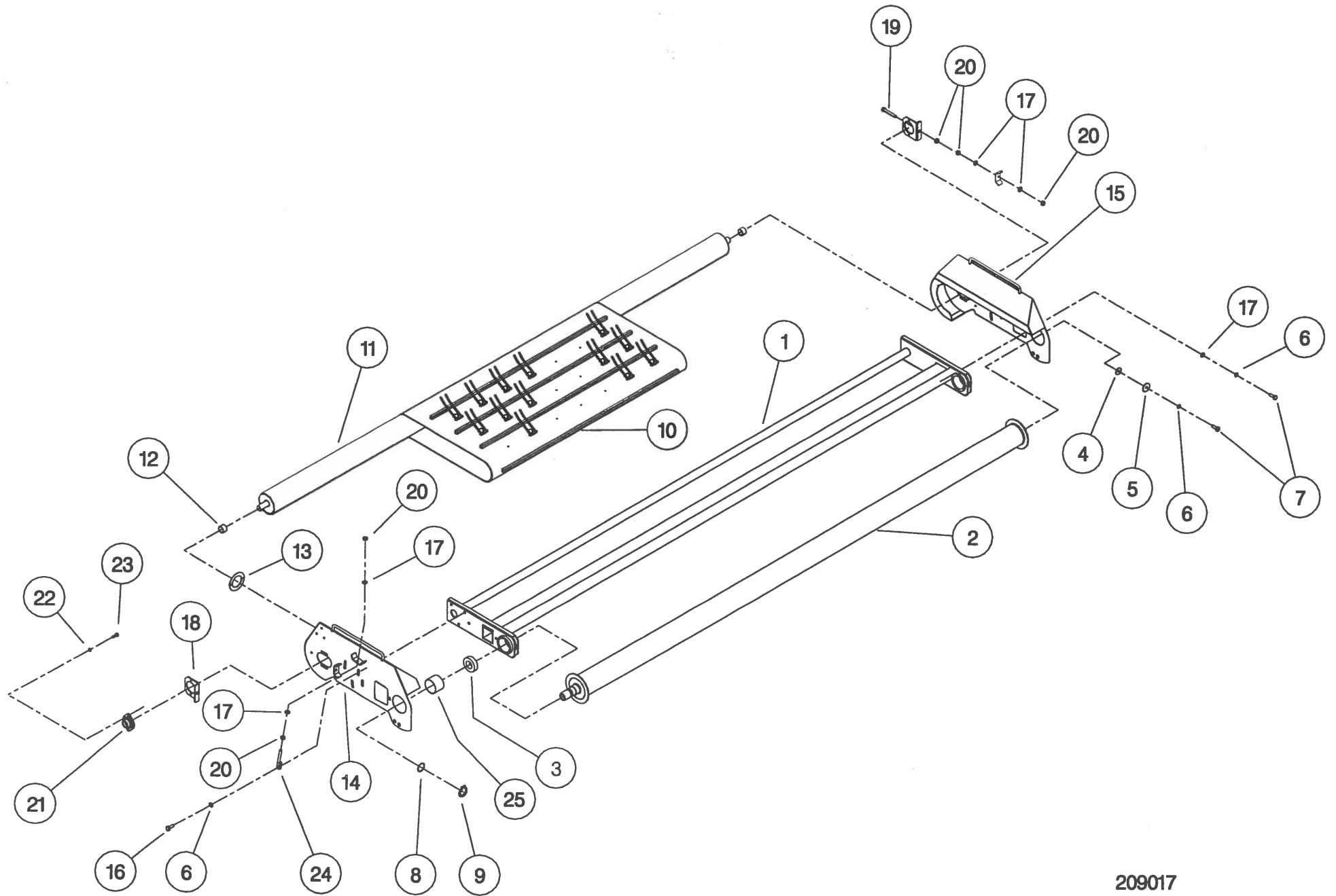


Shelbourne Reynolds Engineering Limited

ASSY NUMBER: 209017 02				ASSY DESCRIPTION: DRAPER ASSEMBLY (4.2M HEADER)			
ITEM	PART NO	DESCRIPTION	QTY	ITEM	PART NO	DESCRIPTION	QTY
1	200367 02	DRAPER FRAME	1				
2	200344 02	DRIVE ROLLER	1				
3	BRG-14515	BEARING	2				
4	190119 26	WASHER	1				
5	190119 15	WASHER	1				
6	WSH-0065	SPRING WASHER	11				
7	HSS-0238	SET SCREW	9				
8	190119 27	WASHER	1				
9	CIR-0450	EXTERNAL CIRCLIP	1				
10	REF	209000 06 PLASTIC TINES					
	OR	KIT-01605 STEEL TINES					
11	200340 02	IDLER ROLLER	1				
12	200345 01	SPACER TUBE	2				
13	200107 01	BEARING PLATE	2				
14	200350 01	DRAPER SIDE PLATE ASSY LH	1				
15	200350 02	DRAPER SIDE PLATE ASSY RH	1				
16	HSS-0250	SET SCREW	2				
17	WSH-0018	PLAIN WASHER	18				
18	200356 01	ADJUSTER PLATE	2				
19	HSSA12530	SETSCREW	2				
20	NUT-0170	PLAIN NUT	10				
21	BRG-7060	BEARING	2				
22	WSH-0061	SPRING WASHER	4				
23	HSS-0194	SET SCREW	4				
24	200358 01	TRACKING ADJUSTER	2				
25	200124 01	BUSH	2				

Shelbourne Reynolds Engineering Limited

ASSY NUMBER: 209017 03				ASSY DESCRIPTION: DRAPER ASSEMBLY (4.8M HEADER)			
ITEM	PART NO	DESCRIPTION	QTY	ITEM	PART NO	DESCRIPTION	QTY
1	200367 01	DRAPER FRAME	1				
2	200344 01	DRIVE ROLLER	1				
3	BRG-14515	BEARING	2				
4	190119 26	WASHER	1				
5	190119 15	WASHER	1				
6	WSH-0065	SPRING WASHER	11				
7	HSS-0238	SET SCREW	9				
8	190119 27	WASHER	1				
9	CIR-0450	EXTERNAL CIRCLIP	1				
10	REF	209000 07 PLASTIC TINES					
	OR	KIT-01606 STEEL TINES					
11	200340 01	IDLER ROLLER	1				
12	200345 01	SPACER TUBE	2				
13	200107 01	BEARING PLATE	2				
14	200350 01	DRAPER SIDE PLATE ASSY LH	1				
15	200350 02	DRAPER SIDE PLATE ASSY RH	1				
16	HSS-0250	SET SCREW	2				
17	WSH-0018	PLAIN WASHER	18				
18	200356 01	ADJUSTER PLATE	2				
19	HSSA12530	SETSCREW	2				
20	NUT-0170	PLAIN NUT	10				
21	BRG-7060	BEARING	2				
22	WSH-0061	SPRING WASHER	4				
23	HSS-0194	SET SCREW	4				
24	200358 01	TRACKING ADJUSTER	2				
25	200124 01	BUSH	2				

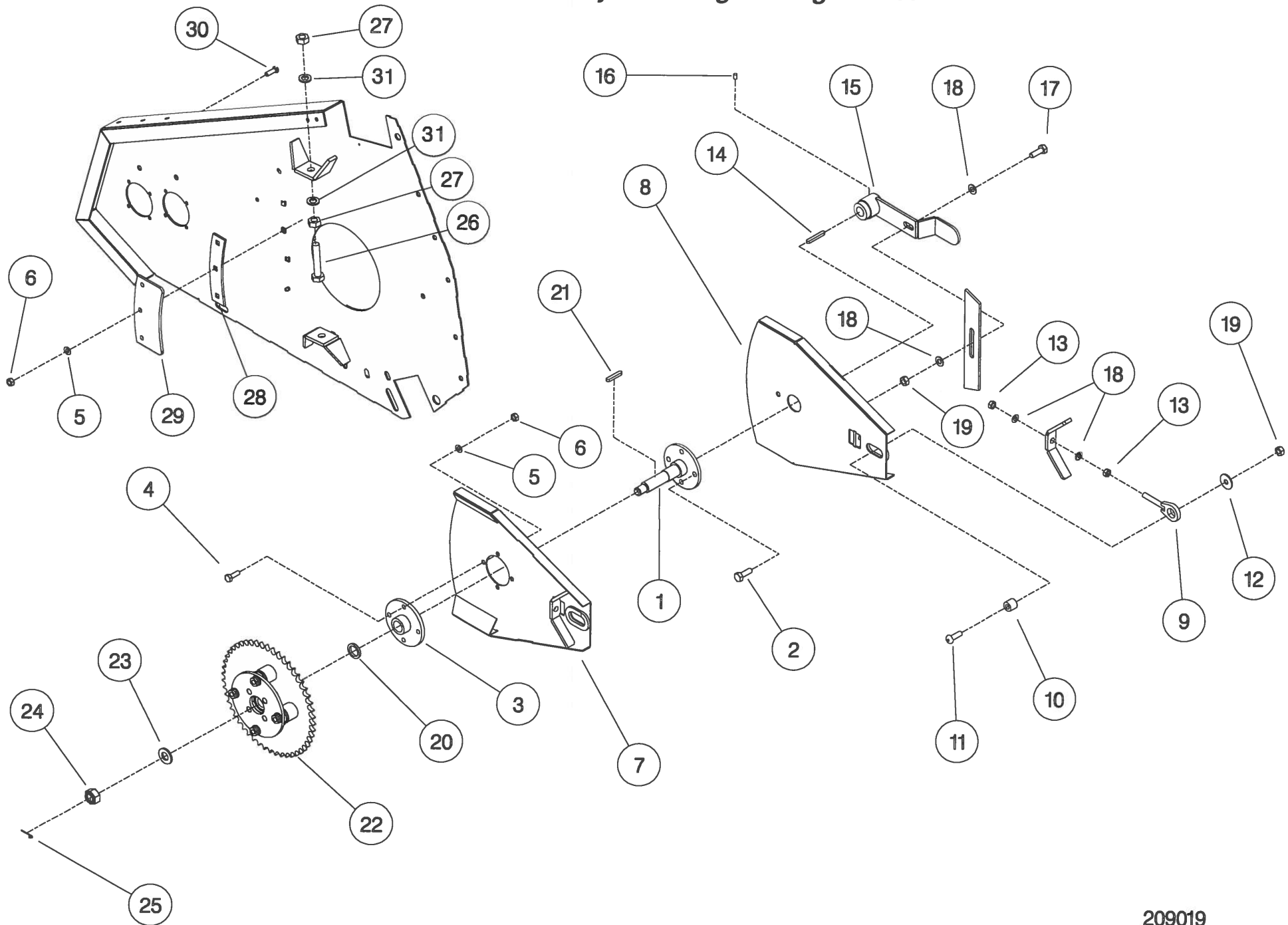


209017

Shelbourne Reynolds Engineering Limited

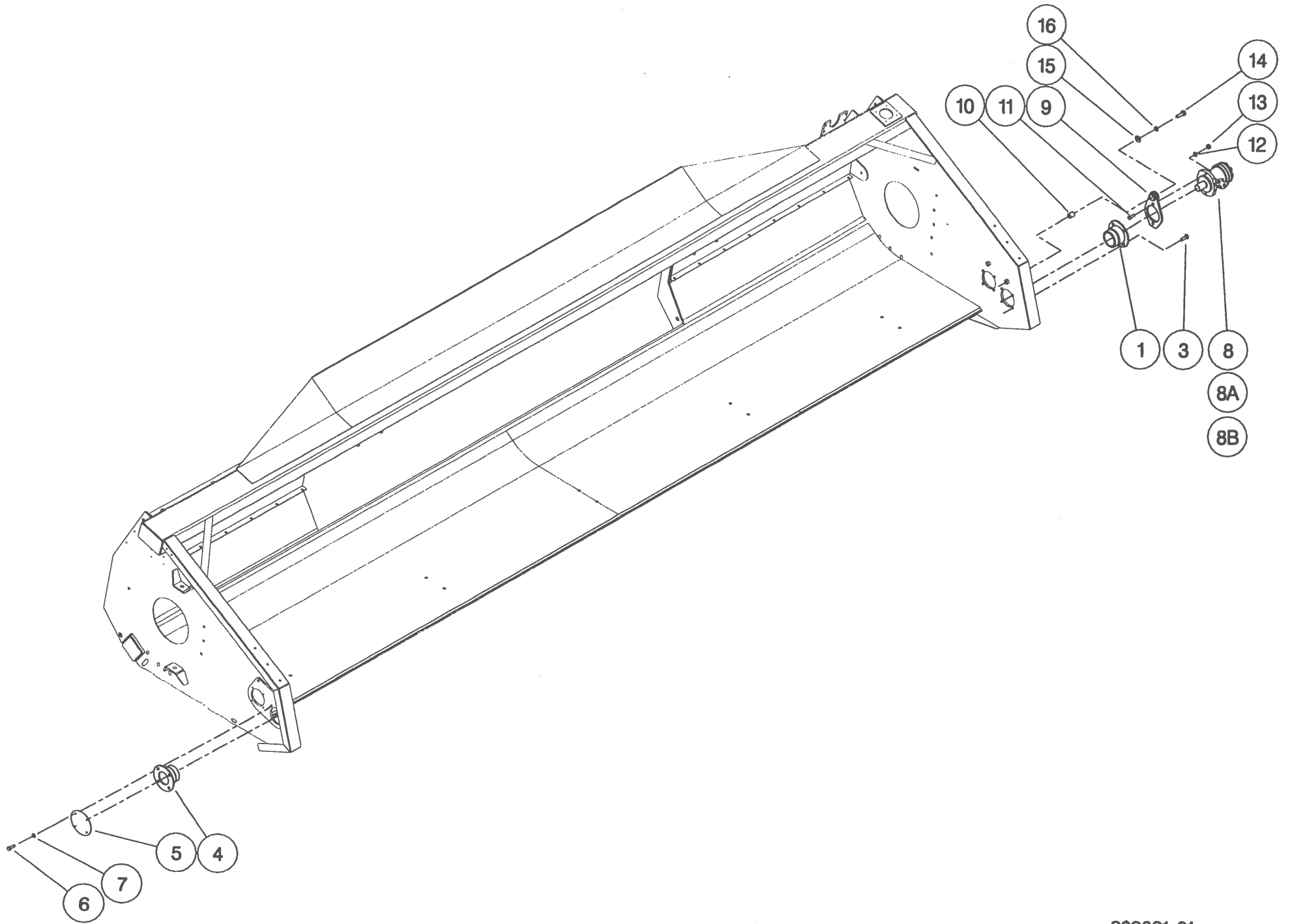
ASSY NUMBER: 209019 01				ASSY DESCRIPTION: AUGER MTG AND DRIVE SUB (MECHANICAL)			
ITEM	PART NO	DESCRIPTION	QTY	ITEM	PART NO	DESCRIPTION	QTY
1	200335 01	DRIVE SHAFT W/A	1				
2	HSSF12204	TENSILOCK SETSCREW	4				
3	BRG-23041	BEARING	1				
4	HSS-0194	SET SCREW	4				
5	WSH-0015	WASHER	10				
6	NUT-0265	NUT	10				
7	200401 01	ADJUSTER PLATE	1				
8	200402 01	ADJUSTER PLATE	1				
9	200405 01	ADJUSTER WELD ASSY	2				
10	200499 01	SPACER	2				
11	HSS-0260	SET SCREW	2				
12	190119 26	WASHER	2				
13	NUT-0170	NUT	4				
14	K0807060	KEY	1				
15	200120 02	FINGER ADJUSTER	1				
16	SCW-4535	GRUB SCREW	2				
17	HSS-0241	SET SCREW	1				
18	WSH-0018	WASHER	8				
19	NUT-0269	NUT	3				
20	190119 29	WASHER	1				
21	K0807050	KEY	1				
22	KIT-00117	AUGER DRV/SPRKT CLUTCH	1				
23	WSH-0030	WASHER	1				
24	NUT-0580	CASTLE NUT	1				
25	PIN-1150	SPLIT PIN	1				
26	HSS-0330	SET SCREW	4				
27	NUT-0180	NUT	8				
28	200407 01	SUPPORT PLATE	2				
29	200408 01	OVERLAP PLATE	2				
30	BLT-3750	COACH BOLT	6				
31	WSH-0024	WASHER	8				

Shelbourne Reynolds Engineering Limited



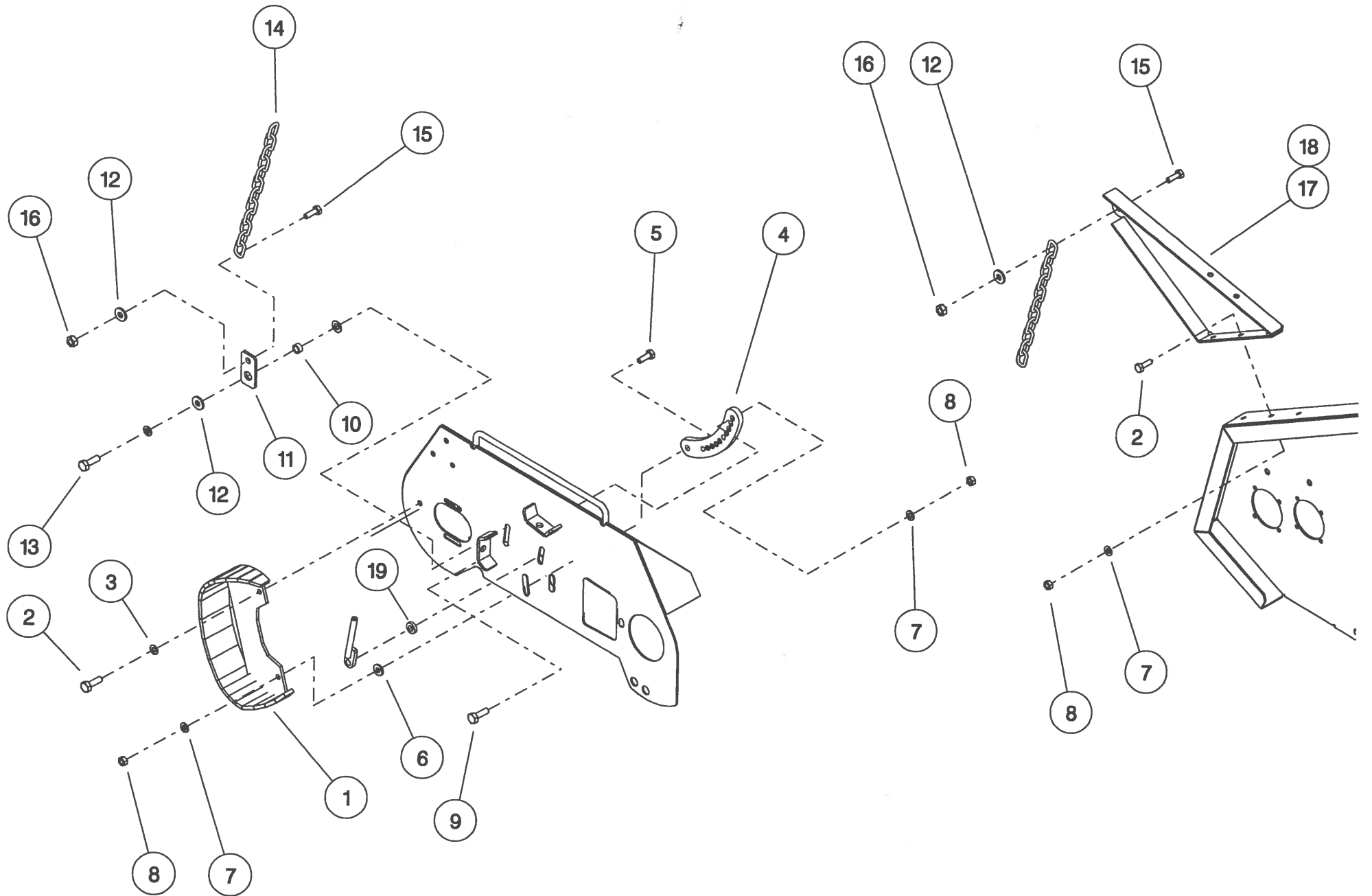
Shelbourne Reynolds Engineering Limited

ASSY NUMBER: 209021 01		ASSY DESCRIPTION: CONVEYOR ASSY MOUNTING & DRIVE					
ITEM	PART NO	DESCRIPTION	QTY	ITEM	PART NO	DESCRIPTION	QTY
1	200416 01	BEARING SUPPORT LH	1				
2							
3	SCW-1740	CSK.SOC.HD.SCREW	4				
4	200416 02	BEARING SUPPORT RH	1				
5	200030 01	COVER PLATE	1				
6	HSS-0145	SET SCREW	4				
7	WSH-0058	WASHER	4				
8	MOTH08000	HYDRAULIC MOTOR	1				
8A	HMS-08000	MOTOR SEAL KIT	1				
8B	K0807032	KEY	1				
9	200028 01	SUPPORT PLATE	1				
10	BSH-1530	BUSH	1				
11	SCW-0519	BUTT.HD SOC.SCREW	2				
12	WSH-0018	PLAIN WASHER	2				
13	NUT-0270	NYLOC NUT	2				
14	BLTA12380	BOLT	1				
15	190119 04	WASHER	1				
16	WSH-0065	SPRING WASHER	1				



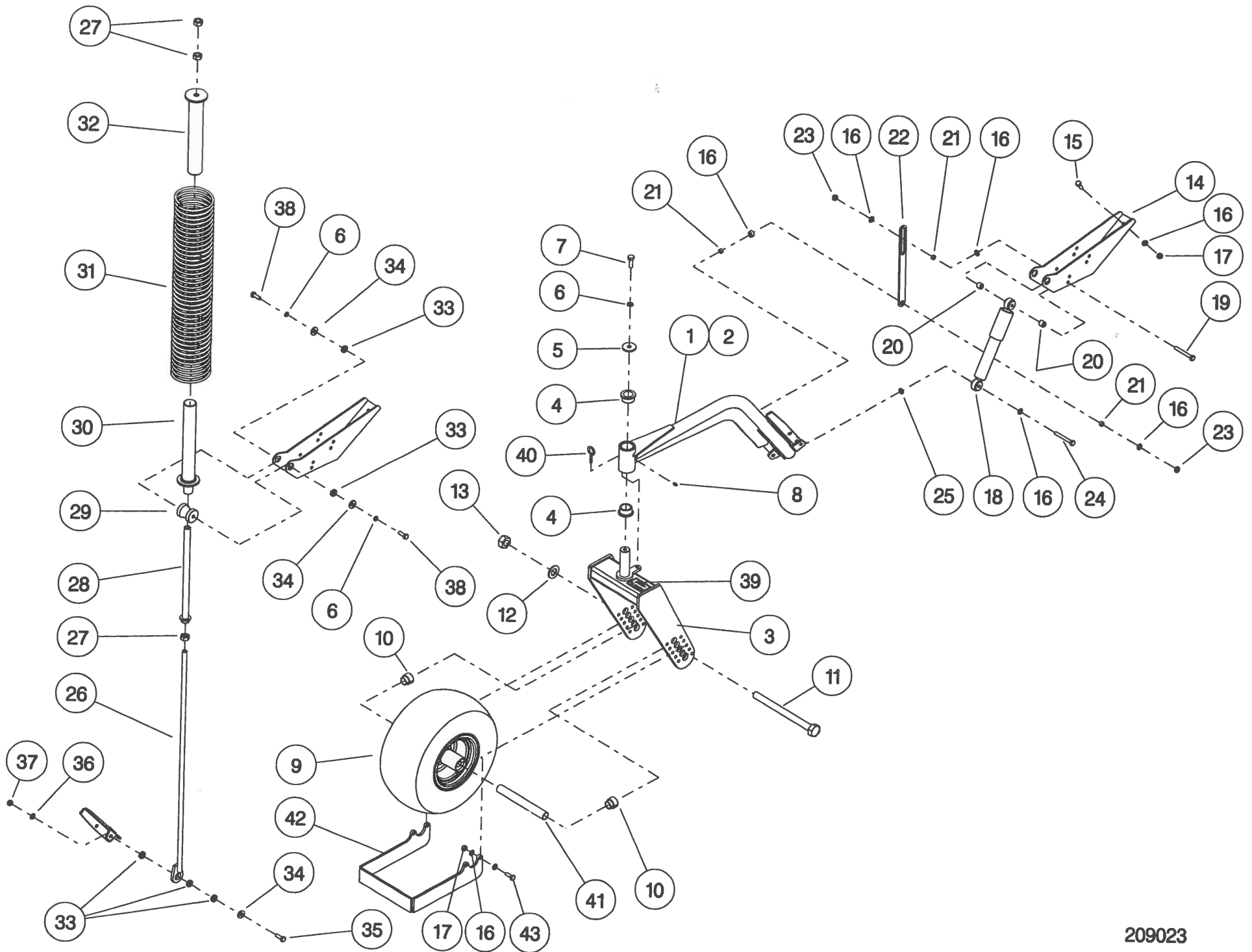
Shelbourne Reynolds Engineering Limited

ASSY NUMBER: 209022 01		ASSY DESCRIPTION: DRAPER SKIDS & SUPPORT CHAINS SUB ASSY					
ITEM	PART NO	DESCRIPTION	QTY	ITEM	PART NO	DESCRIPTION	QTY
1	200102 01	DRAPER SKID ASSY	2				
2	HSS-0191	SET SCREW	8				
3	WSH-0061	SPRING WASHER	2				
4	200355 01	DRAPER SKID ADJUSTER	2				
5	HSS-0202	SET SCREW	2				
6	190119 11	WASHER	2				
7	WSH-0015	PLAIN WASHER	10				
8	NUT-0265	NYLOC NUT	10				
9	HSS-0198	SET SCREW	2				
10	200410 02	SPACER	2				
11	200136 01	PLATE	2				
12	190119 04	WASHER	6				
13	BLTA12290	BOLT	2				
14	CHA-01061	CHAIN	0.51				
14	CHA-01061	CHAIN	0.51				
15	HSS-0241	SET SCREW	4				
16	NUT-0269	NYLOC NUT	4				
17	200086 01	DRAPER SUPPORT LH	1				
18	200086 02	DRAPER SUPPORT RH	1				
19	190119 25	WASHER	2				



Shelbourne Reynolds Engineering Limited

ASSY NUMBER: 209023 01				ASSY DESCRIPTION: DRAPER WHEELS & SPRINGS SUB ASSY			
ITEM	PART NO	DESCRIPTION	QTY	ITEM	PART NO	DESCRIPTION	QTY
1	200388 01	WHEEL ARM ASSY LH	1	33	190119 25	WASHER	10
2	200388 02	WHEEL ARM ASSY RH	1	34	190119 16	WASHER	6
3	200381 01	WHEEL MOUNT ASSY	2	35	HSS-0260	SET SCREW	2
4	BSHE03553	FLANGED BUSH	4	36	WSH-0018	PLAIN WASHER	2
5	190119 15	WASHER	2	37	NUT-0269	NYLOC NUT	2
6	WSH-0065	SPRING WASHER	6	38	HSS-0235	SETSCREW	4
7	HSS-0238	SET SCREW	2	39	127075 16	TRANSFER (GREASE 50 HOURS)	2
8	NIP-00600	GREASE NIPPLE	2	40	PIN-01950	LYNCH PIN	2
9	WHL-00833	WHEEL & TYRE ASSY (2006 & ON)	2	41	200564 01	WHEEL TUBE (2004 & ON ONLY)	2
OR	WHL-00832	WHEEL & TYRE ASSY (2004-2005)	2	42	200566 01	WHEEL GUARD	2
OR	WHL-00831	WHEEL & TYRE ASSY (2002-2003)	2	43	HSS-0198	SET SCREW	8
OR	WHL-00830	WHEEL & TYRE ASSY (UPTO 2001)	2				
10	200565 02	SPACER (2006 & ON)	4				
OR	200565 01	SPACER (2004-2005)	4				
OR	200562 01	SPACER (2002-2003)	4				
OR	200393 01	SPACER (UPTO 2001)	4				
11	BLTA24990	BOLT	2				
12	WSH-0036	PLAIN WASHER	2				
13	NUT-0275	NYLOC NUT	2				
14	200424 01	SPRING SUPPORT	2				
15	HSS-0191	SET SCREW	6				
16	WSH-0015	PLAIN WASHER	32				
17	NUT-0265	NYLOC NUT	14				
18	SAB-10000	SHOCK ABSORBER	2				
19	BLTB20480	BOLT	2				
20	200436 01	SPACER	4				
21	200514 01	SPACER	6				
22	200500 01	STRAP	2				
23	NUT-0217	NYLOC NUT	4				
24	BLT-0162	BOLT	2				
25	190119 19	WASHER	2				
26	200434 01	SPRING TENSIONER ASSY	2				
27	NUT-0180	PLAIN NUT	6				
28	200513 01	SLEEVE ASSY	2				
29	200423 01	SPRING SUPPORT INNER BOSS	2				
30	200430 01	LOWER DISC ASSY	2				
31	SPGC88399	COMPRESSION SPRING	2				
32	200429 01	UPPER DISC ASSY	2				

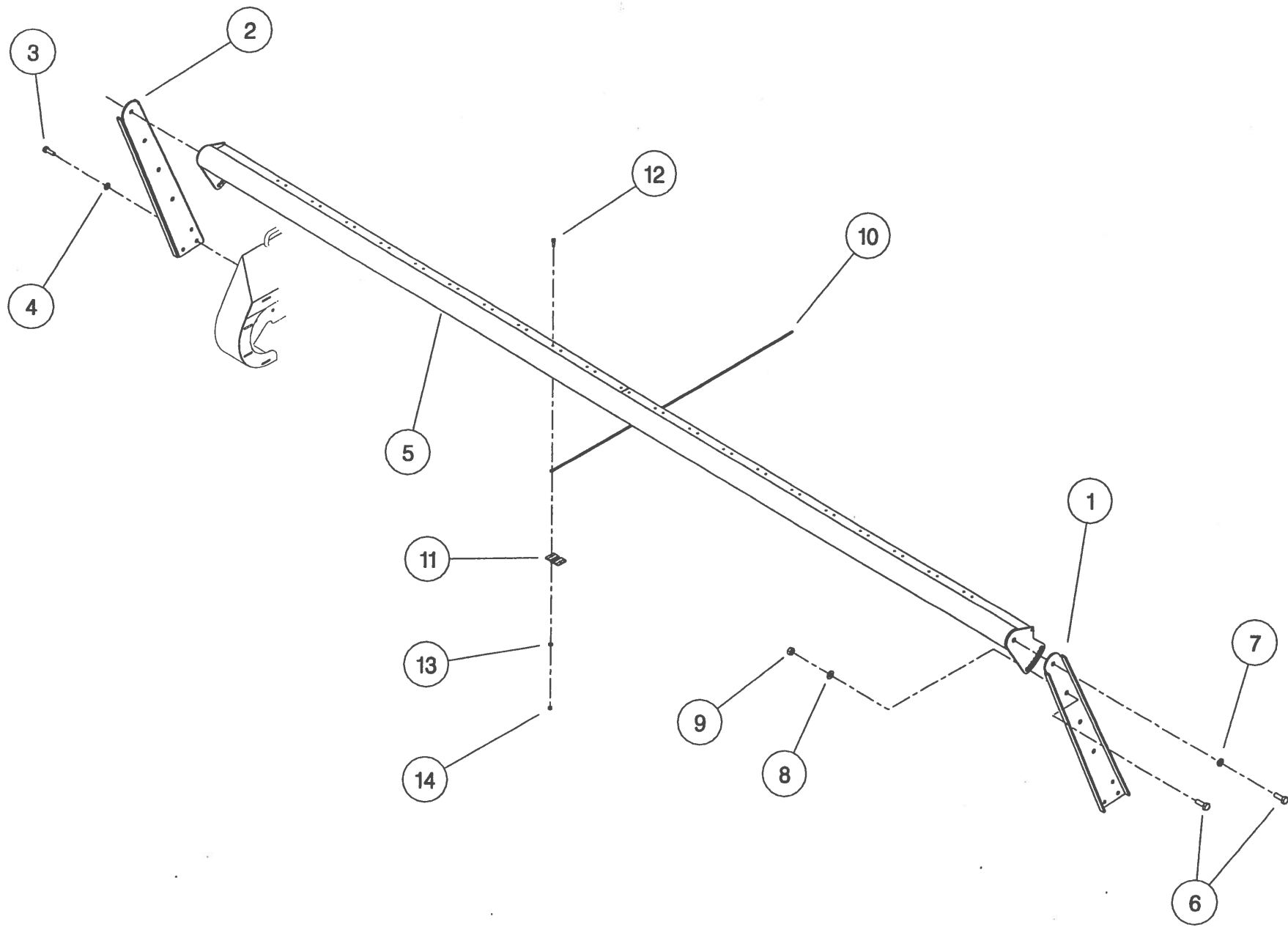


Shelbourne Reynolds Engineering Limited

ASSY NUMBER: 209024 02		ASSY DESCRIPTION: CROP SLIDES SUB ASSY (4.2M)					
ITEM	PART NO	DESCRIPTION	QTY	ITEM	PART NO	DESCRIPTION	QTY
1	200368 01	CROP SLIDE SUPPORT LH	1				
2	200368 02	CROP SLIDE SUPPORT RH	1				
3	HSS-0191	SET SCREW	6				
4	WSH-0061	SPRING WASHER	6				
5	200373 02	CROSS BAR ASSY (4.2M)	1				
6	HSS-0238	SET SCREW	4				
7	WSH-0065	SPRING WASHER	2				
8	WSH-0018	PLAIN WASHER	2				
9	NUT-0269	NYLOC NUT	2				
10	200372 01	CROP SLIDE BAR	25				
11	200371 01	CROP SLIDE CLAMP PLATE	25				
12	HSS-0086	SET SCREW	50				
13	WSH-0009	PLAIN WASHER	50				
14	NUT-0260	NYLOC NUT	50				

Shelbourne Reynolds Engineering Limited

ASSY NUMBER: 209024 03		ASSY DESCRIPTION: CROP SLIDES SUB ASSY (4.8M)					
ITEM	PART NO	DESCRIPTION	QTY	ITEM	PART NO	DESCRIPTION	QTY
1	200368 01	CROP SLIDE SUPPORT LH	1				
2	200368 02	CROP SLIDE SUPPORT RH	1				
3	HSS-0191	SET SCREW	6				
4	WSH-0061	SPRING WASHER	6				
5	200373 01	CROSS BAR ASSY (4.8M)	1				
6	HSS-0238	SET SCREW	4				
7	WSH-0065	SPRING WASHER	2				
8	WSH-0018	PLAIN WASHER	2				
9	NUT-0269	NYLOC NUT	2				
10	200372 01	CROP SLIDE BAR	29				
11	200371 01	CROP SLIDE CLAMP PLATE	29				
12	HSS-0086	SET SCREW	58				
13	WSH-0009	PLAIN WASHER	58				
14	NUT-0260	NYLOC NUT	58				



Shelbourne Reynolds Engineering Limited

ASSY NUMBER:		209025 02		ASSY DESCRIPTION: STRIPPER PLATE SUB ASSY (4.2M)			
ITEM	PART NO	DESCRIPTION	QTY	ITEM	PART NO	DESCRIPTION	QTY
1	200409 02	STRIPPER PLATE	1				
2	200403 02	CANVAS STRIP	1				
3	200337 01	CANVAS CLAMP STRIP	1				
4	200337 03	CANVAS CLAMP STRIP	1				
5	HSS-0086	SET SCREW	27				
6	WSH-0009	PLAIN WASHER	27				
7	NUT-0260	NYLOC NUT	27				
8	HSS-0250	SET SCREW	2				
9	615085 01	SPACER	2				
10	190119 04	WASHER	2				
11	NUT-0269	NYLOC NUT	2				

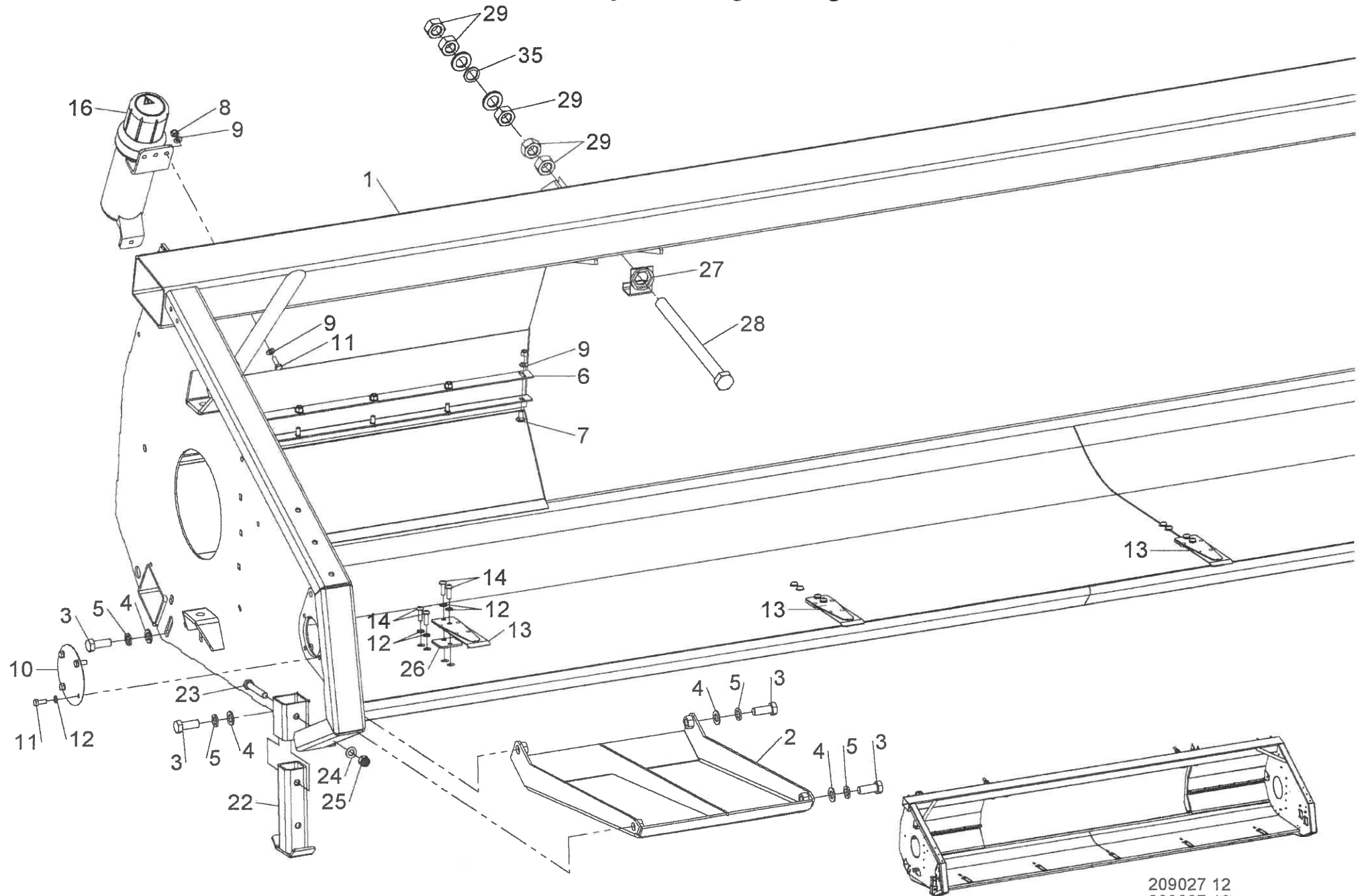
Shelbourne Reynolds Engineering Limited

ASSY NUMBER:		209025 03		ASSY DESCRIPTION: STRIPPER PLATE SUB ASSY (4.8M)			
ITEM	PART NO	DESCRIPTION	QTY	ITEM	PART NO	DESCRIPTION	QTY
1	200409 01	STRIPPER PLATE	1				
2	200403 01	CANVAS STRIP	1				
3	200337 01	CANVAS CLAMP STRIP	1				
4	200337 02	CANVAS CLAMP STRIP	1				
5	HSS-0086	SET SCREW	31				
6	WSH-0009	PLAIN WASHER	31				
7	NUT-0260	NYLOC NUT	31				
8	HSS-0250	SET SCREW	2				
9	615085 01	SPACER	2				
10	190119 04	WASHER	2				
11	NUT-0269	NYLOC NUT	2				

Shelbourne Reynolds Engineering Limited

ASSY NUMBER: 209027 12				ASSY DESCRIPTION: FRAME & PARTS SUB 4.2M			
ITEM	PART NO	DESCRIPTION	QTY	ITEM	PART NO	DESCRIPTION	QTY
1	200462 01	MAINFRAME ASSY 4.2M	1				
2	200438 01	SKID W/A	2				
3	HSS-0316	SETSCREW	8				
4	WSH-0024	PLAIN WASHER	8				
5	WSH-0070	SPRING WASHER	8				
6	200455 03	SCRAPER (4.2M)	2				
7	BLT-4710	COACH BOLT	12				
8	NUT-0263	NYLOC NUT	15				
9	WSH-0012	PLAIN WASHER	16				
10	200030 01	COVER PLATE	2				
11	HSS-0140	SETSCREW	8				
12	WSH-0058	SPRING WASHER	28				
13	200521 01	LOWER SPRING PLATE	5				
14	SCBA08172	BUTT SOC HEAD SCREW	20				
16	PCN-00100	PLASTIC CANISTER (MANUAL)	1				
22	200493 01	STAND	2				
23	BLTA12500	HEX.HEAD BOLT	2				
24	WSH-0018	PLAIN WASHER	2				
25	NUT-0269	NYLOC NUT	2				
26	200520 01	SPACER PLATE	5				
27	194987 01	ADPT PLT LOCKING ASSY	2				
28	HSSA24994	HEX HEAD SET SCREW	2				
29	NUT-0190	PLAIN HEX.NUT	10				
35	190548 62	WASHER	2				

Shelbourne Reynolds Engineering Limited

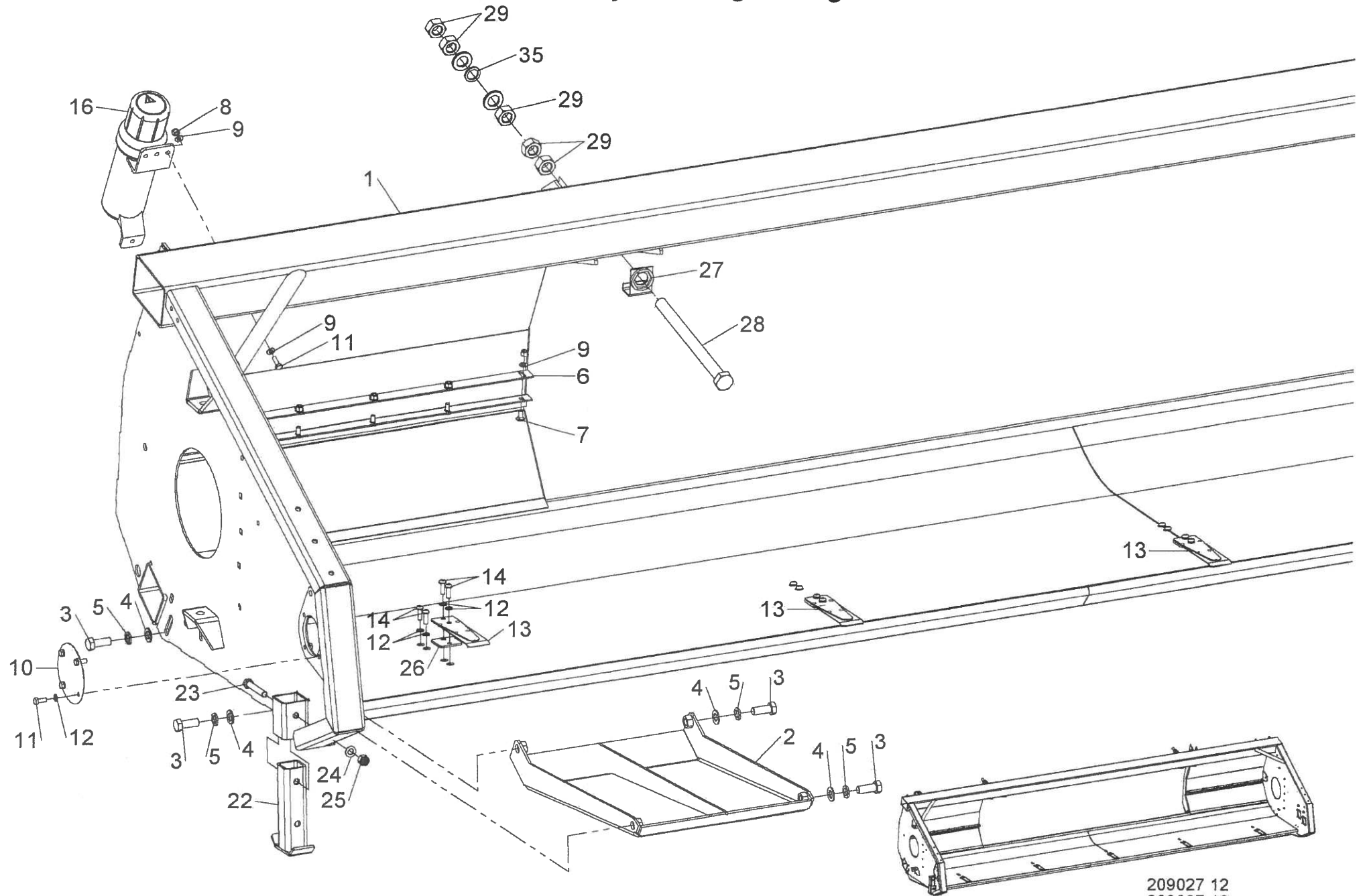


209027 12
209027 13

Shelbourne Reynolds Engineering Limited

ASSY NUMBER: 209027 13				ASSY DESCRIPTION: FRAME & PARTS SUB 4.8M			
ITEM	PART NO	DESCRIPTION	QTY	ITEM	PART NO	DESCRIPTION	QTY
1	200463 01	MAINFRAME ASSY 4.8M	1				
2	200438 01	SKID W/A	2				
3	HSS-0316	SETSCREW	8				
4	WSH-0024	PLAIN WASHER	8				
5	WSH-0070	SPRING WASHER	8				
6	200455 01	SCRAPER (4.8M)	2				
7	BLT-4710	COACH BOLT	16				
8	NUT-0263	NYLOC NUT	19				
9	WSH-0012	PLAIN WASHER	20				
10	200030 01	COVER PLATE	2				
11	HSS-0140	SETSCREW	8				
12	WSH-0058	SPRING WASHER	28				
13	200521 01	LOWER SPRING PLATE	5				
14	SCBA08172	BUTT SOC HEAD SCREW	20				
16	PCN-00100	PLASTIC CANISTER (MANUAL)	1				
22	200493 01	STAND	2				
23	BLTA12500	HEX.HEAD BOLT	2				
24	WSH-0018	PLAIN WASHER	2				
25	NUT-0269	NYLOC NUT	2				
26	200520 01	SPACER PLATE	5				
27	194987 01	ADPT PLT LOCKING ASSY	2				
28	HSSA24994	HEX HEAD SET SCREW	2				
29	NUT-0190	PLAIN HEX.NUT	10				
35	190548 62	WASHER	2				

Shelbourne Reynolds Engineering Limited



209027 12
209027 13

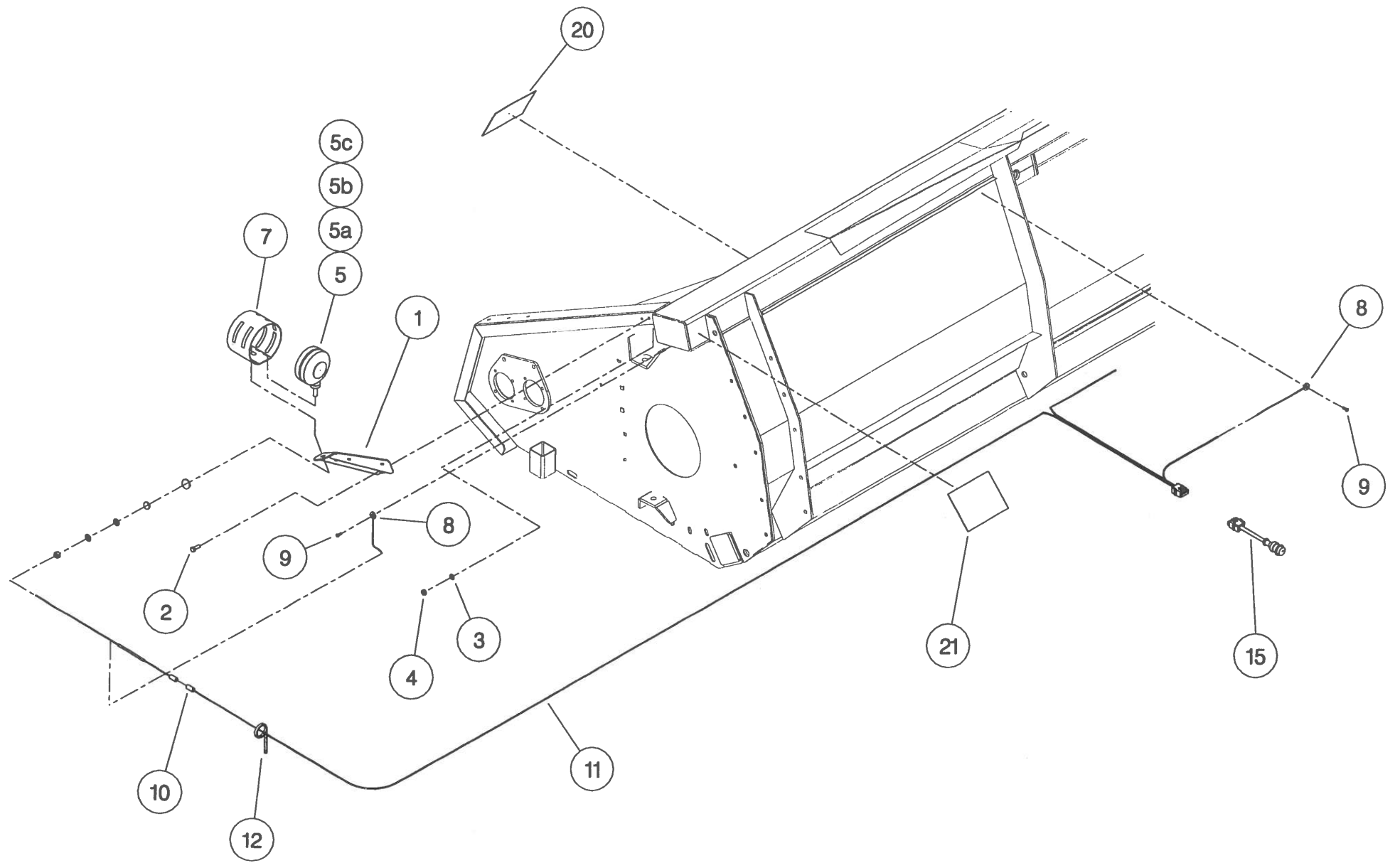


Shelbourne Reynolds Engineering Limited

ASSY NUMBER:		209028 02		ASSY DESCRIPTION: HEADER LIGHTS SUB (4.2M)			
ITEM	PART NO	DESCRIPTION	QTY	ITEM	PART NO	DESCRIPTION	QTY
1	200465 01	LIGHT BRACKET	2				
2	HSS-0140	SET SCREW	4				
3	WSH-0012	PLAIN WASHER	4				
4	NUT-0263	NYLOC NUT	4				
5	LMP-10501	INDICATOR LIGHT ASSY	2				
5A	LMP-10000	LENS-FRONT					
5B	LMP-10001	LENS-REAR					
5C	BLB-0075	BULB	2				
7	193567 01	INDICATOR GUARD	2				
8	ETM-00440	LOOP TERMINAL	2				
9	SCW-5180	SELF TAP SCREW	3				
10	ETM-00560	MALE BULLET TERM.	2				
11	200469 01	WIRE LOOM & PLUG ASSY	1				
12	TIE-0002	TIE WRAP	5				
13							
14							
15	193516 01	LOOM & PLUG ASSY (JD ONLY)	1				
16							
17							
18							
19							
20	TPE-00250	REFLECTIVE TAPE - AMBER	0.1				
20	TPE-00250	REFLECTIVE TAPE - AMBER	0.1				
21	TPE-00251	REFLECTIVE TAPE - RED	0.1				
21	TPE-00251	REFLECTIVE TAPE - RED	0.1				

Shelbourne Reynolds Engineering Limited

ASSY NUMBER: 209028 03		ASSY DESCRIPTION: HEADER LIGHTS SUB (4.8M)					
ITEM	PART NO	DESCRIPTION	QTY	ITEM	PART NO	DESCRIPTION	QTY
1	200465 01	LIGHT BRACKET	2				
2	HSS-0140	SET SCREW	4				
3	WSH-0012	PLAIN WASHER	4				
4	NUT-0263	NYLOC NUT	4				
5	LMP-10501	INDICATOR LIGHT ASSY	2				
5A	LMP-10000	LENS-FRONT					
5B	LMP-10001	LENS-REAR					
5C	BLB-0075	BULB	2				
7	193567 01	INDICATOR GUARD	2				
8	ETM-00440	LOOP TERMINAL	2				
9	SCW-5180	SELF TAP SCREW	3				
10	ETM-00560	MALE BULLET TERM.	2				
11	200468 01	WIRE LOOM & PLUG ASSY	1				
12	TIE-0002	TIE WRAP	5				
13							
14							
15	193516 01	LOOM & PLUG ASSY (JD ONLY)	1				
16							
17							
18							
19							
20	TPE-00250	REFLECTIVE TAPE - AMBER	0.1				
20	TPE-00250	REFLECTIVE TAPE - AMBER	0.1				
21	TPE-00251	REFLECTIVE TAPE - RED	0.1				
21	TPE-00251	REFLECTIVE TAPE - RED	0.1				

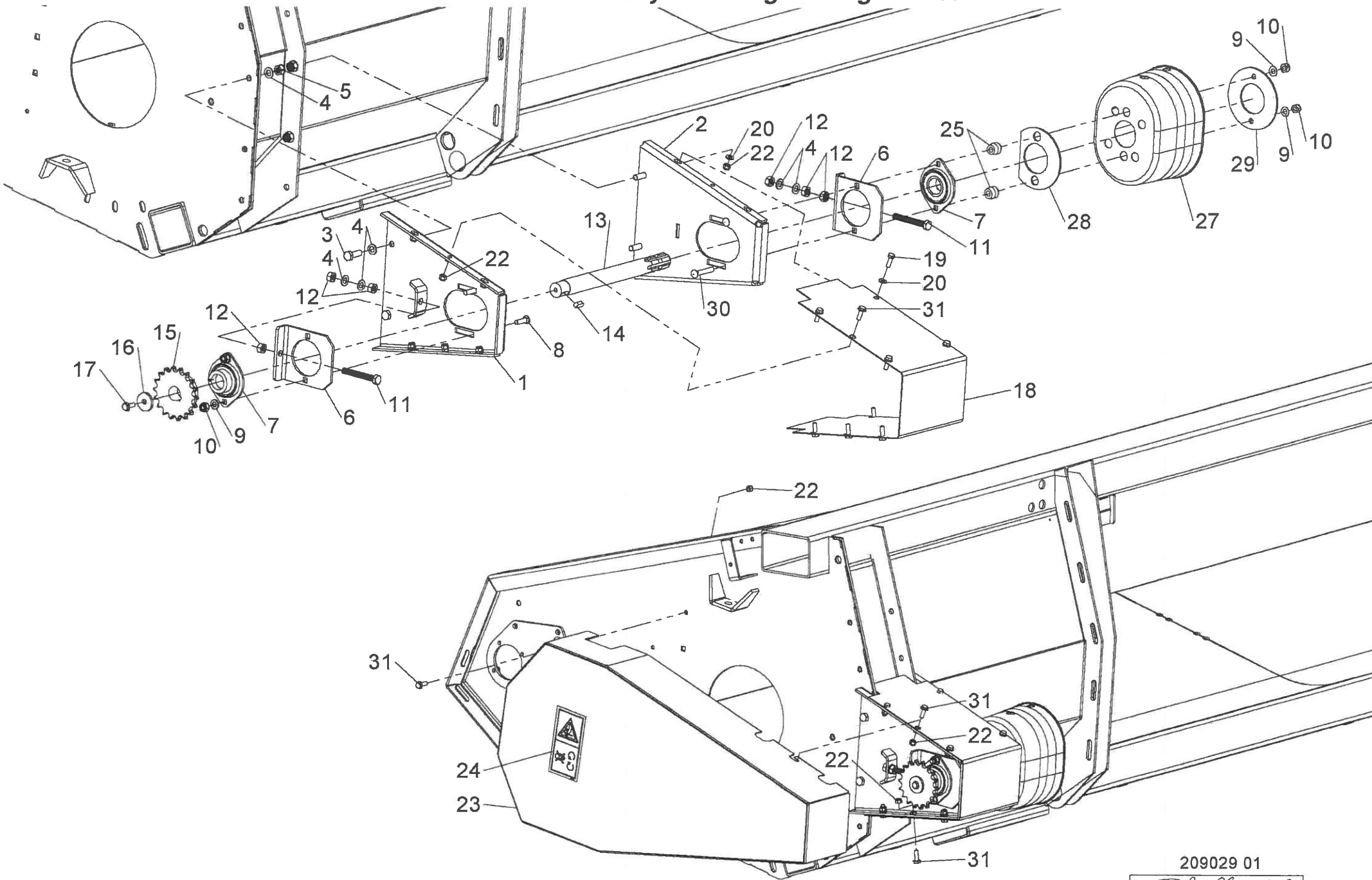


209028

Shelbourne Reynolds Engineering Limited

ASSY NUMBER: 209029 01				ASSY DESCRIPTION: MECHANICAL AUGER DRIVE			
ITEM	PART NO	DESCRIPTION	QTY	ITEM	PART NO	DESCRIPTION	QTY
1	200447 01	ADJUSTER PLATE W/A LH	1				
2	200447 02	ADJUSTER PLATE W/A RH	1				
3	HSS-0241	SET SCREW	4				
4	WSH-0018	PLAIN WASHER	12				
5	NUT-0269	NYLOC NUT	4				
6	200449 01	BEARING SUPPORT PLATE	2				
7	BRG-23510	ROUND FLANGED SUPPORT	2				
8	BLTF10231	COACH BOLT 2014 & ON	2				
OR	BLTF10231	COACH BOLT PRE 2014	4				
9	WSH-0015	PLAIN WASHER	4				
10	NUT-0265	NYLOC NUT	4				
11	HSSA12530	HEX.HEAD SET SCREW	2				
12	NUT-0170	PLAIN NUT	6				
13	200456 01	DRIVE SHAFT	1				
14	K1008025	KEY	1				
15	MAN-04105	AUGER SPROCKETS	1				
16	190548 01	RETAINING WASHER	1				
17	HSSF10174	HEX. HD SET SCREW	1				
18	200453 01	COVER PLATE	1				
19	HSS-0145	SETSCREW	8				
20	WSH-0012	PLAIN WASHER 2016 & ON	16				
21							
22	NUT-0263	NYLOC NUT	12				
23	200481 01	CHAIN GUARD WELD ASSY	1				
24	193392 01	STOP ENG BEFORE TRAN	1				
25	200579 01	SPACING BOSS	2				
26			2				
27	PTO-00962	PTO MACHINE CONE	1				
28	200580 01	PTO COVER RING	1				
29	200581 01	PTO COVER RING	1				
30	BLTF10238	COACH BOLT	2				
31	HSSF08174	TENSILOCK SETSCREW	4				

Shelbourne Reynolds Engineering Limited

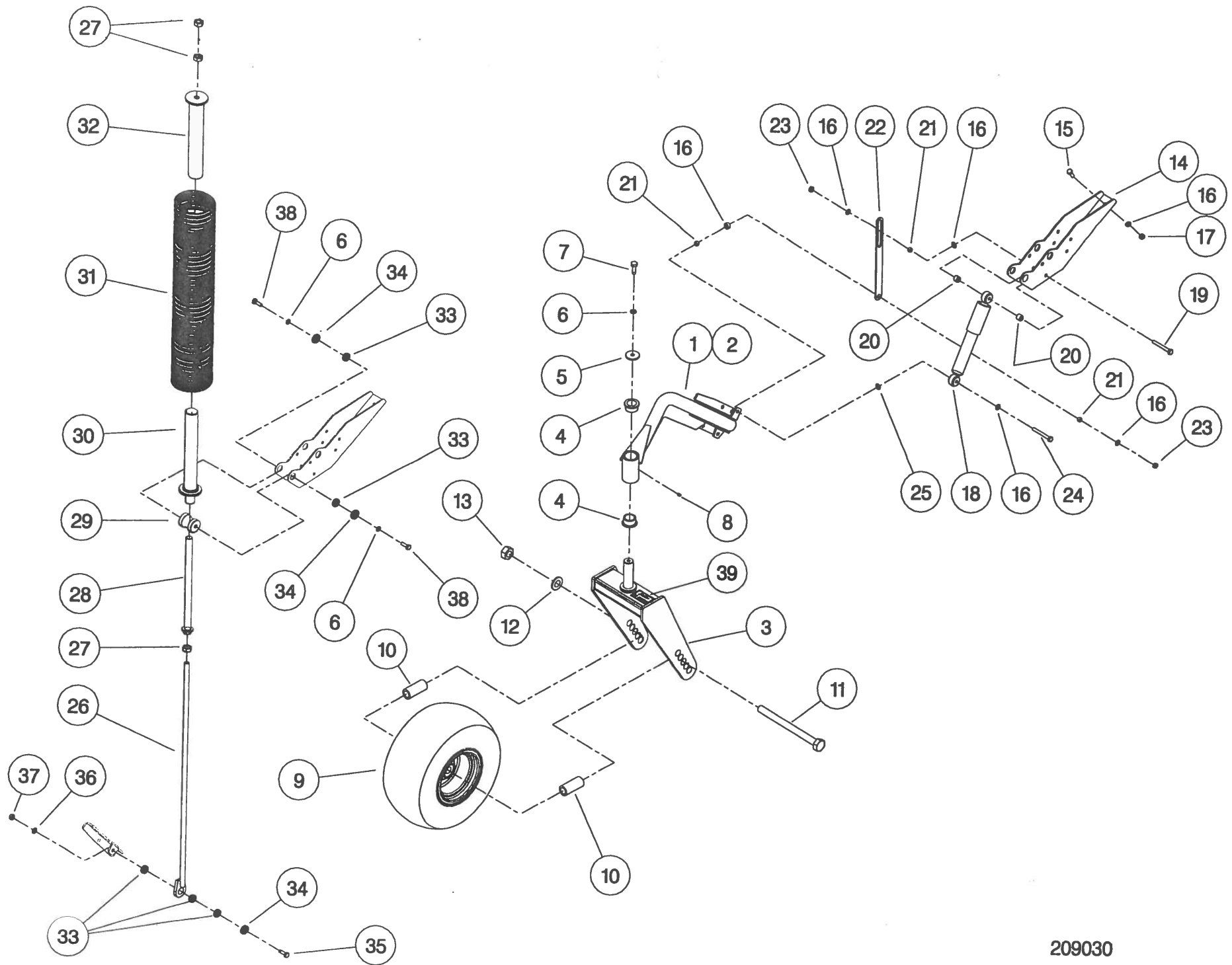


209029 01



Shelbourne Reynolds Engineering Limited

ASSY NUMBER:		209030 01		ASSY DESCRIPTION: DRAPER WHEELS & SPRINGS SUB ASSY (USA)			
ITEM	PART NO	DESCRIPTION	QTY	ITEM	PART NO	DESCRIPTION	QTY
1	200525 01	WHEEL ARM ASSY LH	1	39	127075 16	TRANSFER (GREASE 50 HOURS)	2
2	200525 02	WHEEL ARM ASSY RH	1				
3	200381 01	WHEEL MOUNT ASSY	2				
4	BSHE03553	FLANGED BUSH	4				
5	190119 15	WASHER	2				
6	WSH-0065	SPRING WASHER	6				
7	HSS-0238	SET SCREW	2				
8	NIP-00600	GREASE NIPPLE	2				
9	WHL-00830	WHEEL & TYRE ASSY	2				
10	200393 01	SPACER	4				
11	BLTA24990	BOLT	2				
12	WSH-0036	PLAIN WASHER	2				
13	NUT-0275	NYLOC NUT	2				
14	200524 01	SPRING SUPPORT	2				
15	HSS-0191	SET SCREW	6				
16	WSH-0015	PLAIN WASHER	16				
17	NUT-0265	NYLOC NUT	6				
18	SAB-10000	SHOCK ABSORBER	2				
19	BLTB20480	BOLT	2				
20	200436 01	SPACER	4				
21	200514 01	SPACER	6				
22	200500 01	STRAP	2				
23	NUT-0217	NYLOC NUT	4				
24	BLT-0162	BOLT	2				
25	190119 19	WASHER	2				
26	200434 01	SPRING TENSIONER ASSY	2				
27	NUT-0180	PLAIN NUT	6				
28	200513 01	SLEEVE ASSY	2				
29	200423 01	SPRING SUPPORT INNER BOSS	2				
30	200430 01	LOWER DISC ASSY	2				
31	SPGC88399	COMPRESSION SPRING	2				
32	200429 01	UPPER DISC ASSY	2				
33	190119 25	WASHER	10				
34	190119 16	WASHER	6				
35	HSS-0260	SET SCREW	2				
36	WSH-0018	PLAIN WASHER	2				
37	NUT-0269	NYLOC NUT	2				
38	HSS-0235	SETSCREW	4				

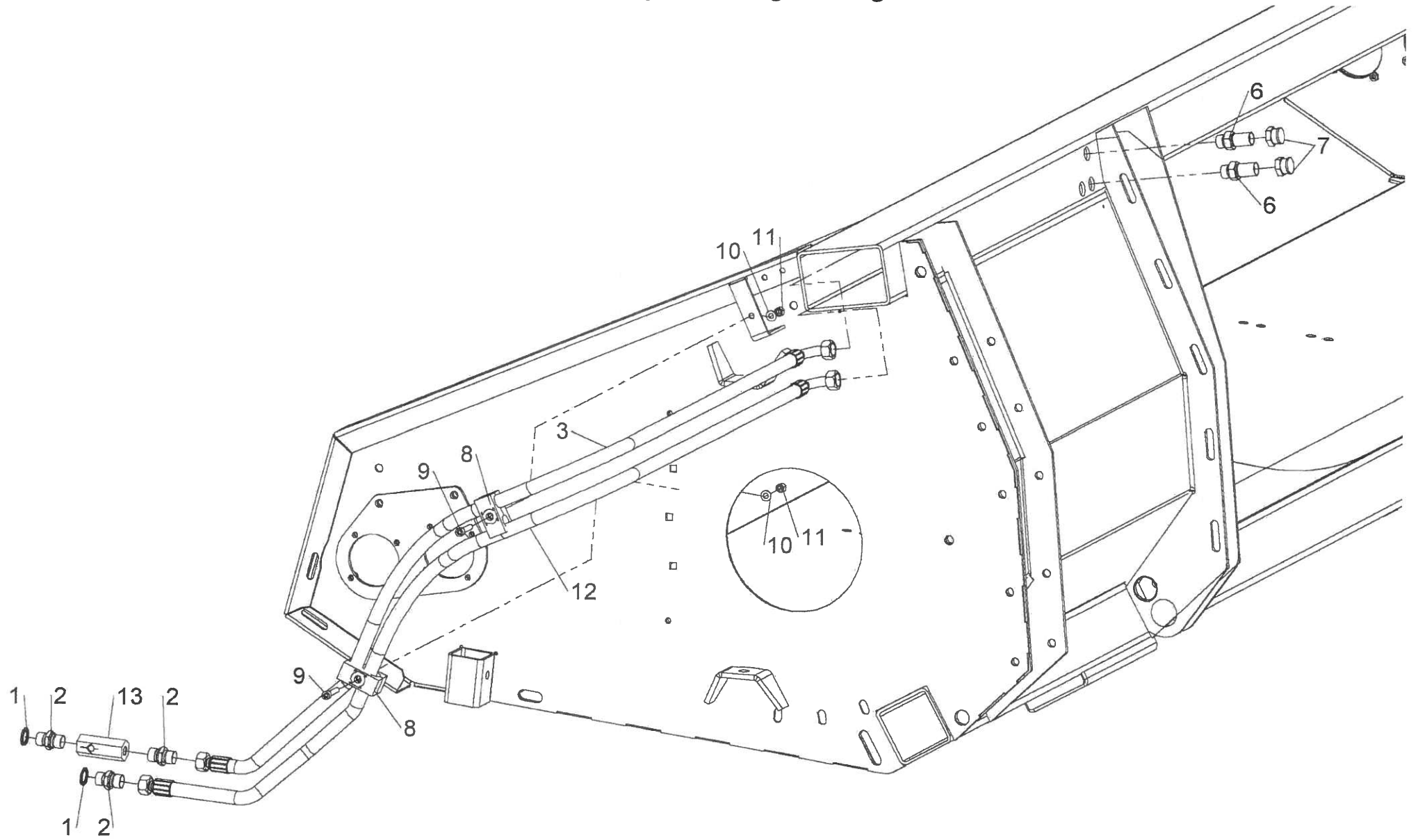


209030

Shelbourne Reynolds Engineering Limited

ASSY NUMBER: 209031 02				ASSY DESCRIPTION: DRAPER HYDR.SUB (4.2M)			
ITEM	PART NO	DESCRIPTION	QTY	ITEM	PART NO	DESCRIPTION	QTY
1	WSH-1015	DOWTY WASHER 1/2"	2				
2	HMA-0067	ADAPTOR MALE/MALE	3				
3	HHBF18305	HYDRAULIC HOSE ASSY	1				
6	HAGAA0707	BULKHEAD ADAPTOR	2				
7	FITC00407	HYD.BLANKING CAP (FEMALE)	2				
8	HCPD02000	HYDRAULIC PIPE CLAMP	2				
9	SCW-0142	HT CAP HEAD SCREW	2				
10	WSH-0012	PLAIN WASHER	2				
11	NUT-0263	NYLOC NUT	2				
12	HHBF19005	HYD HOSE ASSY	1				
13	HVB-20530	NON RETURN VALVE	1				

Shelbourne Reynolds Engineering Limited



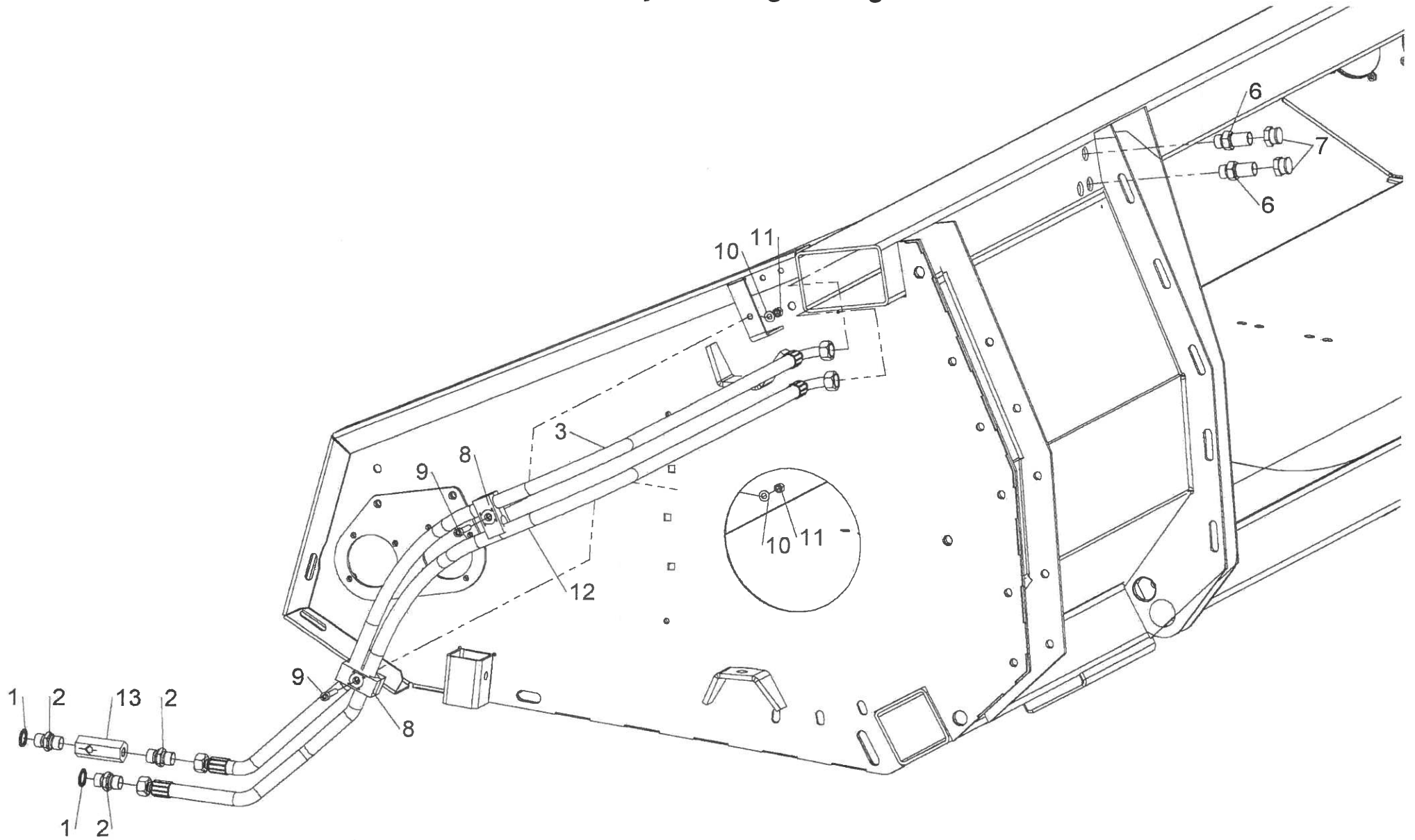
209031 02
209031 03



Shelbourne Reynolds Engineering Limited

ASSY NUMBER: 209031 03				ASSY DESCRIPTION: DRAPER HYDR.SUB (4.8M)			
ITEM	PART NO	DESCRIPTION	QTY	ITEM	PART NO	DESCRIPTION	QTY
1	WSH-1015	DOWTY WASHER 1/2"	2				
2	HMA-0067	ADAPTOR MALE/MALE	3				
3	HHBF21005	HYDRAULIC HOSE ASSY	1				
6	HAGAA0707	BULKHEAD ADAPTOR	2				
7	FITC00407	BLANKING CAP	2				
8	HCPD02000	HYDRAULIC PIPE CLAMP	2				
9	SCW-0142	HT CAP HEAD SCREW	2				
10	WSH-0012	PLAIN WASHER	2				
11	NUT-0263	NYLOC NUT	2				
12	HVB-20530	NON RETURN VALVE	1				
13	HHBF22005	HYDRAULIC HOSE ASSY	1				

Shelbourne Reynolds Engineering Limited

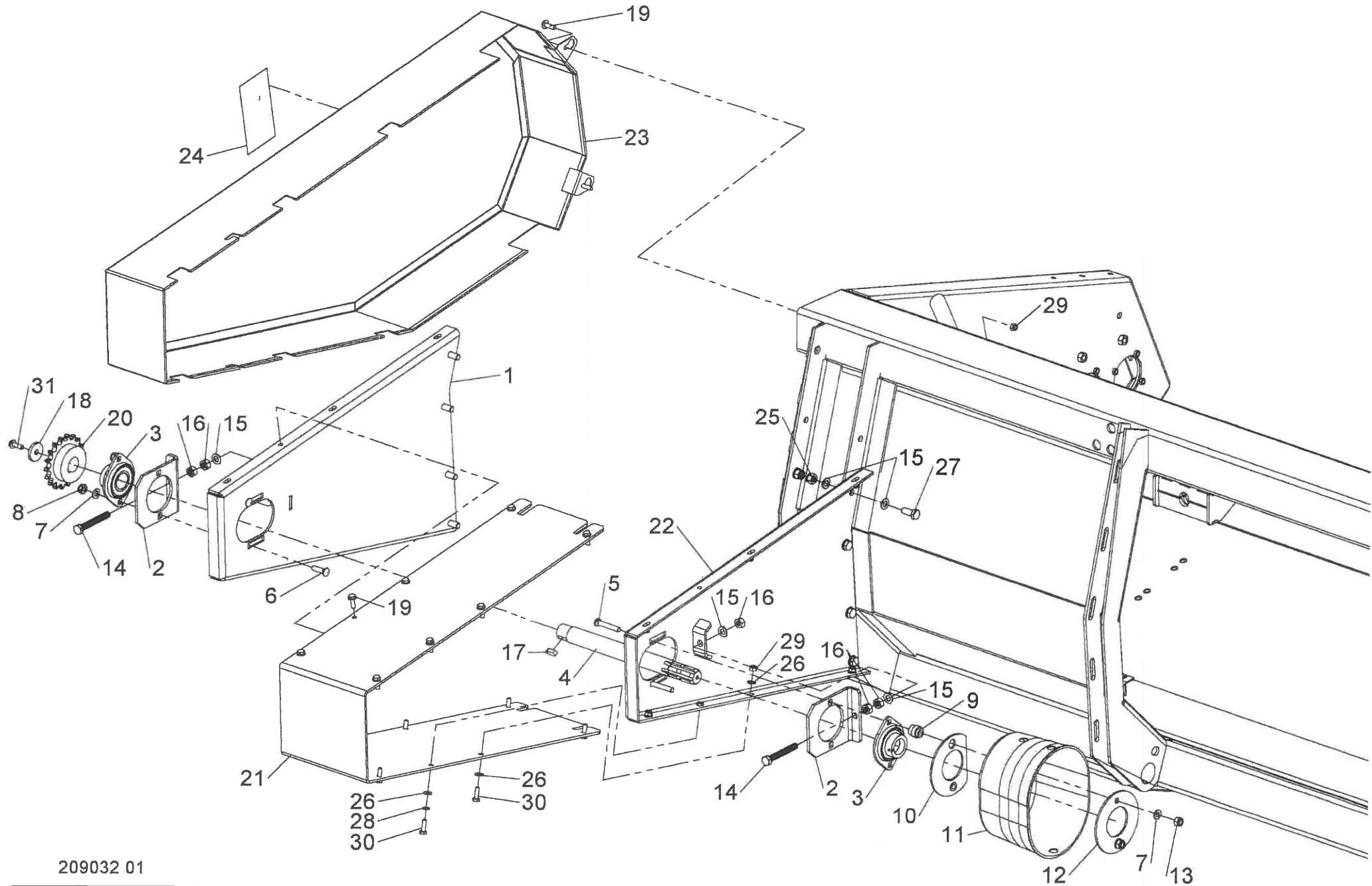


209031 02
209031 03

Shelbourne Reynolds Engineering Limited

ASSY NUMBER: 209032 01				ASSY DESCRIPTION: MECHANICAL AUGER DRIVE			
ITEM	PART NO	DESCRIPTION	QTY	ITEM	PART NO	DESCRIPTION	QTY
1	200586 01	BACK ANGLE EXTENTION CLAAS	1				
2	200449 01	BEARING SUPPORT PLATE	2				
3	BRG-23510	ROUND FLANGED SUPPORT	2				
4	200456 01	DRIVE SHAFT	1				
5	BLTF10238	COACH BOLT	2				
6	BLTF10231	COACH BOLT	2				
7	WSH-0015	PLAIN WASHER	4				
8	NUT-0267	NYLOC NUT	2				
9	200579 01	SPACING BOSS	2				
10	200580 01	PTO COVER RING	1				
11	PTO-00962	PTO MACHINE CONE	1				
12	200581 01	PTO COVER RING	1				
13	NUT-0265	NYLOC NUT	2				
14	HSSA12530	HEX.HEAD SET SCREW	2				
15	WSH-0018	PLAIN WASHER	20				
16	NUT-0170	PLAIN NUT	6				
17	K1008025	KEY	1				
18	190548 01	RETAINING WASHER	1				
19	HSSF08174	TENSILOCK SETSCREW	4				
20	192768 18A	SPROCKET ASSY 18T	1				
21	200588 01	GUARD PLATE EXTENSION FOR	1				
22	200586 02	BACK ANGLE EXTENTION CLAAS	1				
23	200592 01	GUARD FOR CLAAS MONTANA	1				
24	193392 01	STOP ENG BEFORE TRAN	1				
25	NUT-0269	NYLOC NUT	8				
26	WSH-0012	PLAIN WASHER	26				
27	HSS-0238	SET SCREW	8				
28	WSH-0058	SPRING WASHER	2				
29	NUT-0263	NYLOC NUT	14				
30	HSS-0145	SETSCREW	14				
31	HSSF10174	TENSILOCK SETSCREW	1				

Shelbourne Reynolds Engineering Limited



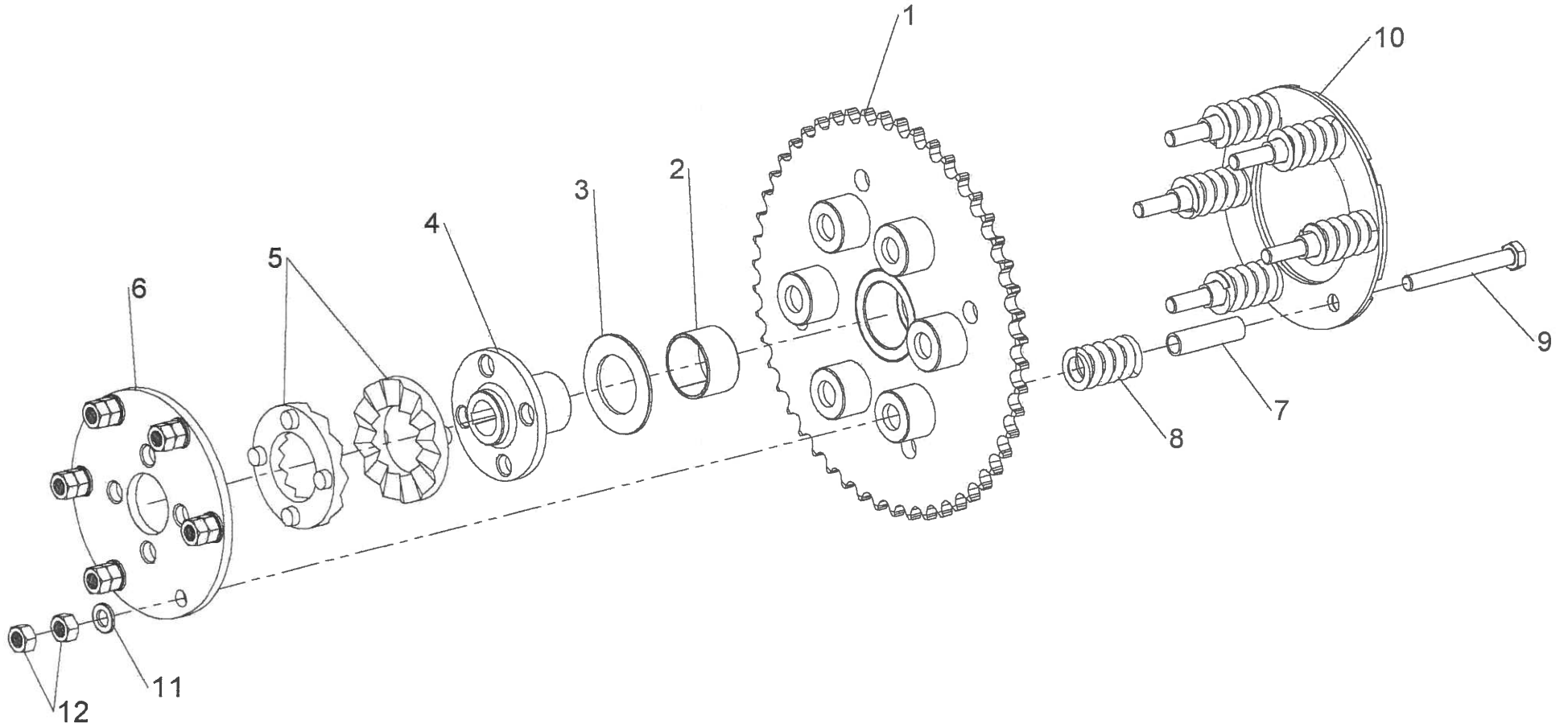
209032 01



Shelbourne Reynolds Engineering Limited

ASSY NUMBER: KIT-00117				ASSY DESCRIPTION: AUGER DRV/SPRKT CLUTCH			
ITEM	PART NO	DESCRIPTION	QTY	ITEM	PART NO	DESCRIPTION	QTY
1	200412 01	SPROCKET WELD ASSY	1				
2	BSH-3019	BUSH	1				
3	192008 01	THRUST WASHER	1				
4	192013 01	CLUTCH HUB	1				
5	131005	CLUTCH PLATE	2				
6	194517 01	DRIVE DISC	1				
7	131073 04	SPACER 2014 & ON	6				
OR	131073 03	SPACER PRE 2014					
8	131063	COMPRESSION SPRING	6				
9	BLT-2270	HEX.HEAD BOLT	6				
10	195041 01	LOCKING RING ASSY	1				
11	WSH-0018	PLAIN WASHER	6				
12	NUT-0170	PLAIN NUT	12				

Shelbourne Reynolds Engineering Limited



KIT-00117



Shelbourne Reynolds Engineering Limited

ASSY NUMBER:		KIT-01605		SUB ASSY DESCRIPTION: DRAPER METAL TINE/SLAT KIT (4.2M)			
ITEM	PART NO	DESCRIPTION	QTY	ITEM	PART NO	DESCRIPTION	QTY
1	108311	TINE	204				
2	WSH-5005	CUP WASHER	204				
3	200496 01	BOLT ON SLAT	4				
4	200496 02	BOLT ON SLAT	4				
5	200496 04	BOLT ON SLAT EXT.	8				
6	200376 02	DRAPER BELT (4.2M HEADER)	1				
7	SCW-6000	TINE BOLT	204				
8	NUT-0215	NYLOC NUT	204				

Shelbourne Reynolds Engineering Limited

ASSY NUMBER:		KIT-01606		SUB ASSY DESCRIPTION: DRAPER METAL TINE/SLAT KIT (4.8M)			
ITEM	PART NO	DESCRIPTION	QTY	ITEM	PART NO	DESCRIPTION	QTY
1	108311	TINE	236				
2	WSH-5005	CUP WASHER	236				
3	200496 01	BOLT ON SLAT	4				
4	200496 02	BOLT ON SLAT	4				
5	200496 03	BOLT ON SLAT EXT.	8				
6	200376 01	DRAPER BELT (4.8M HEADER)	1				
7	SCW-6000	TINE BOLT	236				
8	NUT-0215	NYLOC NUT	236				

